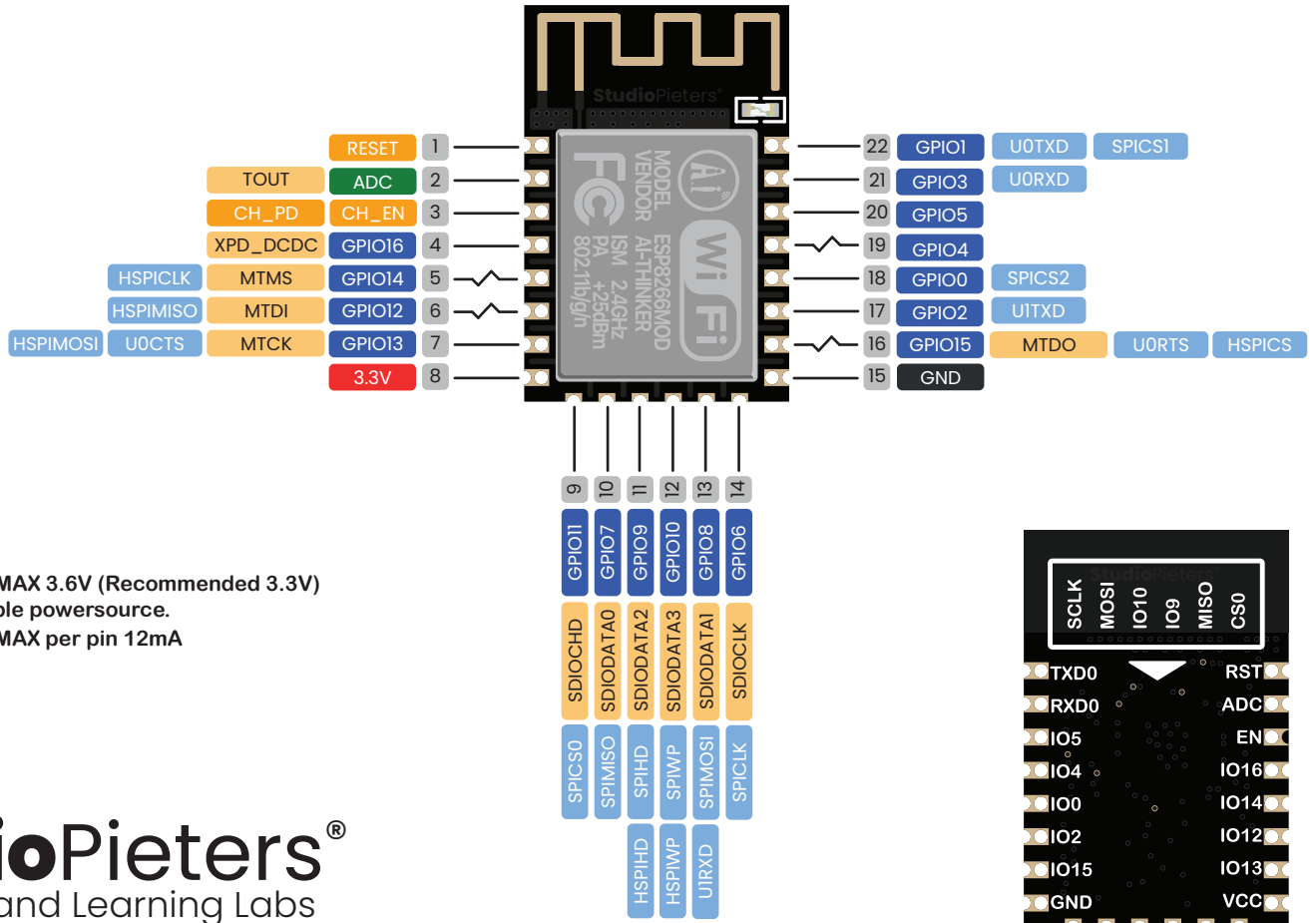


# ESP 8266-12S

- Physical Pin
- Power Pin
- GND Pin
- Digital Pin
- Analog Pin
- Port Pin
- Control Pin
- Serial Pin



- ⚠ Absolute MAX 3.6V (Recommended 3.3V)  
Use a stable powersource.
- ⚠ Absolute MAX per pin 12mA