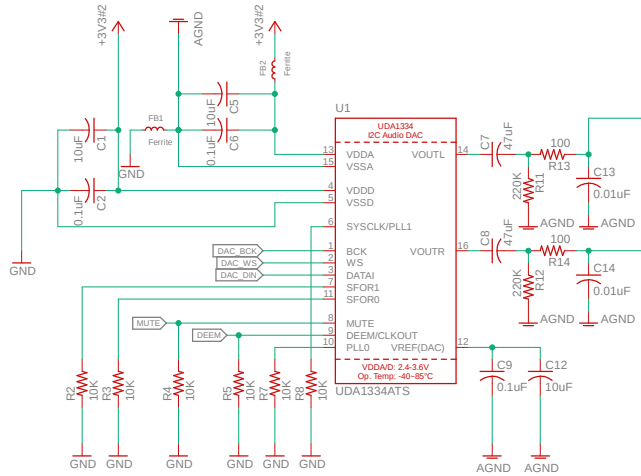
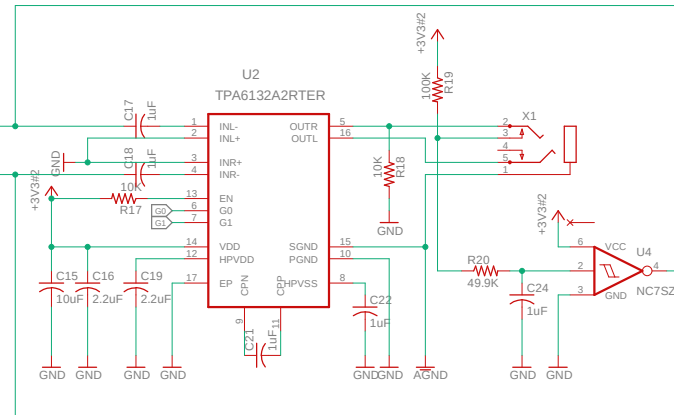


12S AUDIO DAC

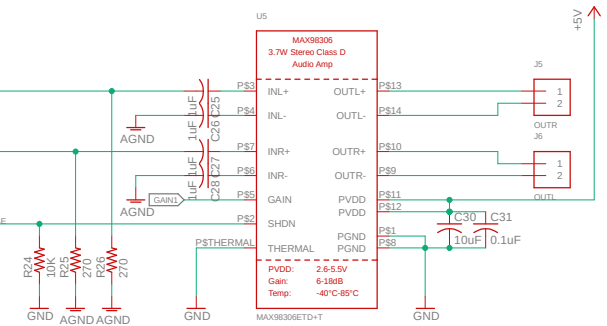


SWITCHING AUDIO JACK

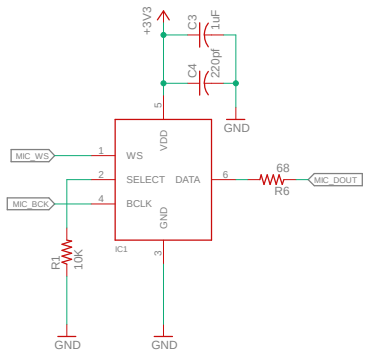


* CHECK LEFT & RIGHT ROUTING AT ALL STAGES AND CHECK HEADPHONE PINS

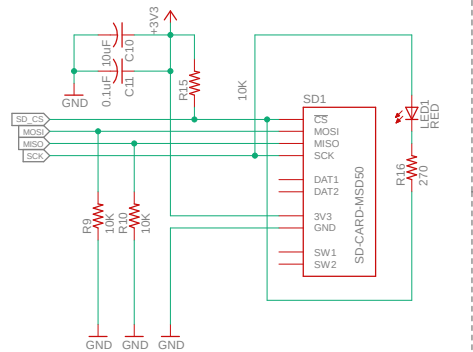
CLASS D AUDIO AMP



12S MEMS MIC

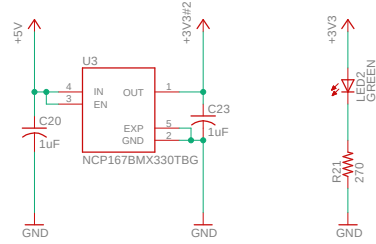


SD CARD

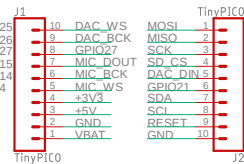


* CHECK LED POLARITY AND TEST PULLDOWNS W/ LCD & SD CARD

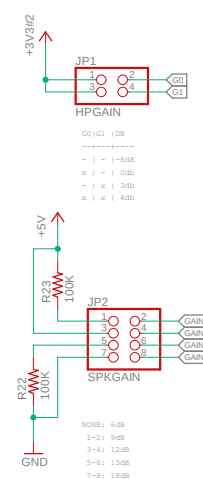
POWER



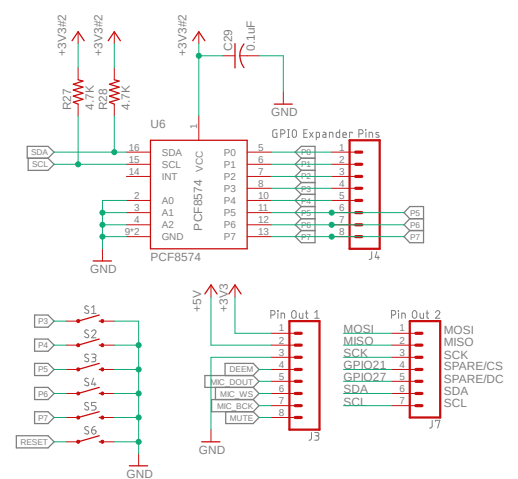
TinyPICO Header



AUDIO GAIN



I/O



TinyPICO Audio Board

DRAWING NAME: Pico Audio v0.20
 SAVE DATE: 24/08/2019 3:33 PM
 DRAWN: Adam Keher
 VERSION: v0.20

