

Arduino Treffpunkt Hannover
www.arduino-hannover.de

Title :
Single 5x7 FlipDot Modul
5x7 FlipDot-Controller.SchDoc

Draw.no.:
5x7 SEG

Project Start : 25.03.2016

Drawn by : BRU

Variant :

Last Modification : 31.03.2016

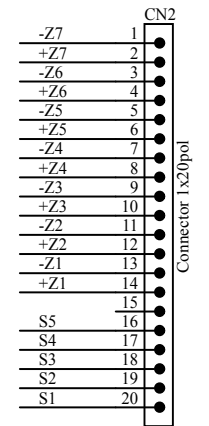
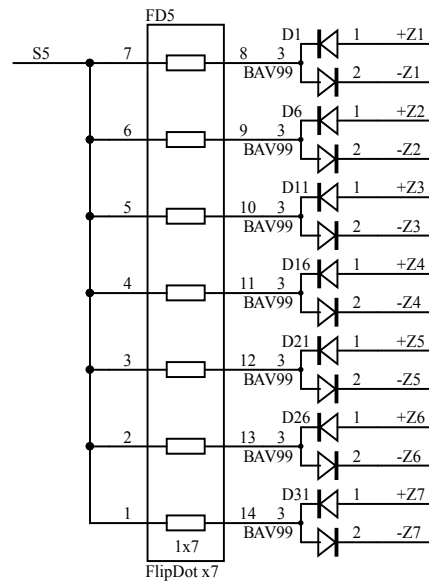
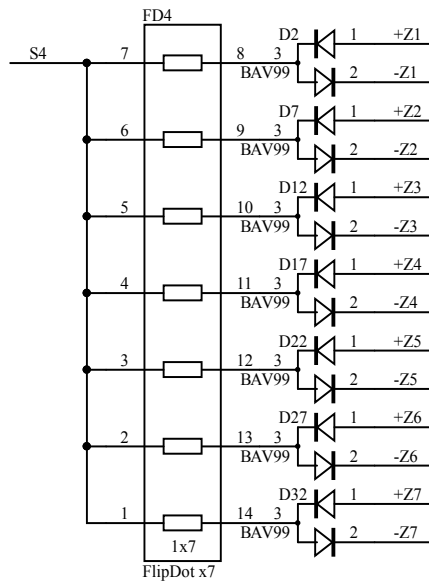
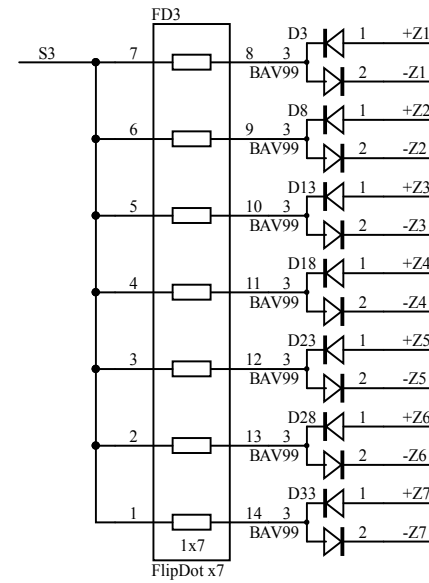
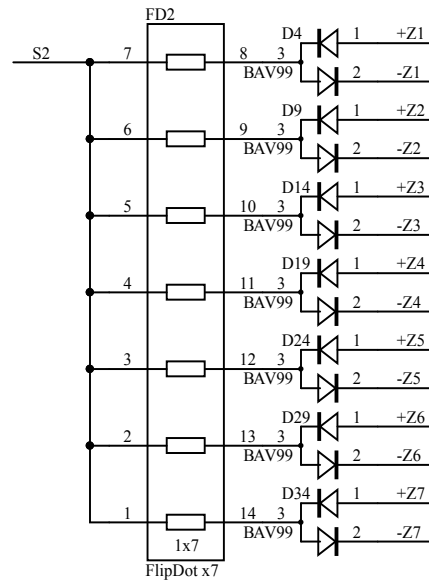
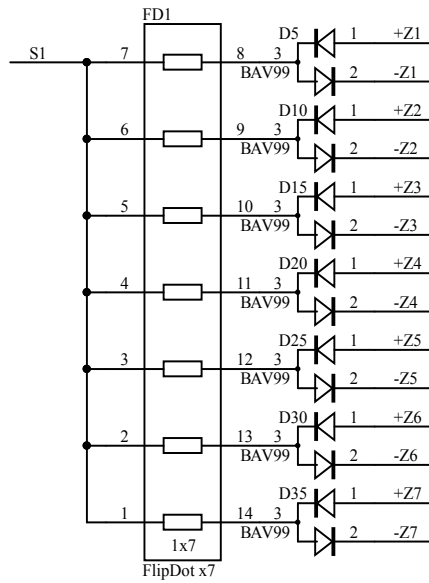
Approved by : JoHa

Position :

Version : V1.0

Page Size : A4

Sheet : 1 of : 2



Arduino Treffpunkt Hannover
www.arduino-hannover.de

Title : Single 5x7 FlipDot Modul 5x7 FlipDot PCB.SchDoc		Draw.no.: 5x7 SEG
Project Start : 25.03.2016	Drawn by : BRU	Variant :
Last Modification : 31.03.2016	Approved by : JoHa	Position :
Version : V1.0	Page Size : A4	Sheet : * of : *

Connector 1x20pol

BAV99 BAV99 BAV99 BAV99 BAV99

BAV99 BAV99 BAV99 BAV99 BAV99

BAV99 BAV99 BAV99 BAV99 BAV99

BAV99 BAV99 BAV99 BAV99 BAV99

BAV99 BAV99 BAV99 BAV99 BAV99

BAV99 BAV99 BAV99 BAV99 BAV99

BAV99 BAV99 BAV99 BAV99 BAV99

1

Connector 1x20pol

L293D

L293D

100u/25V
31.03.16
V1.0

L293D

L293D

L293D

100n

ARDUINO NANO

L293D

100n

74HC238

L293D

100n

74HC238

Connector 1x6pol

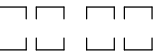
100n

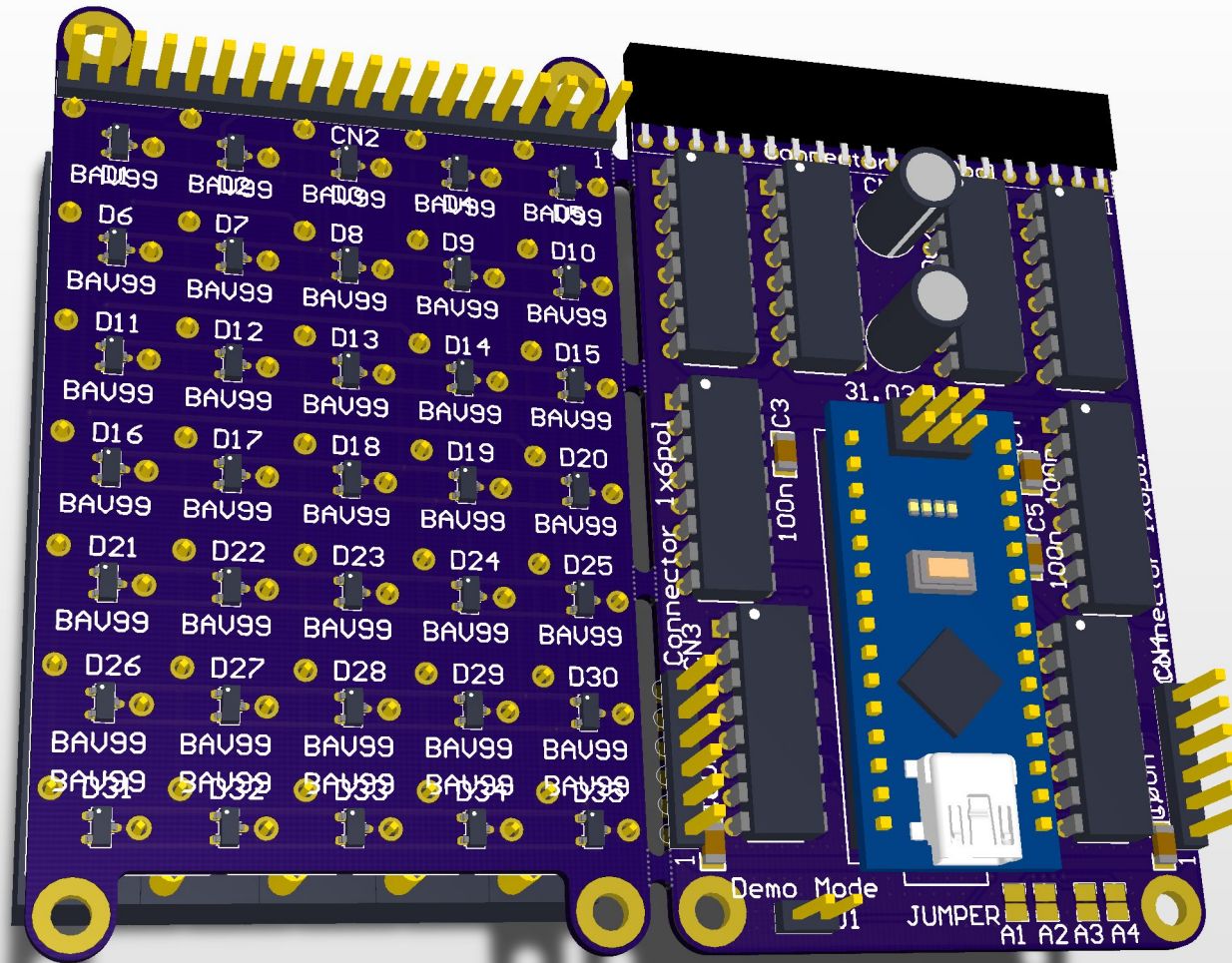
Connector 1x6pol

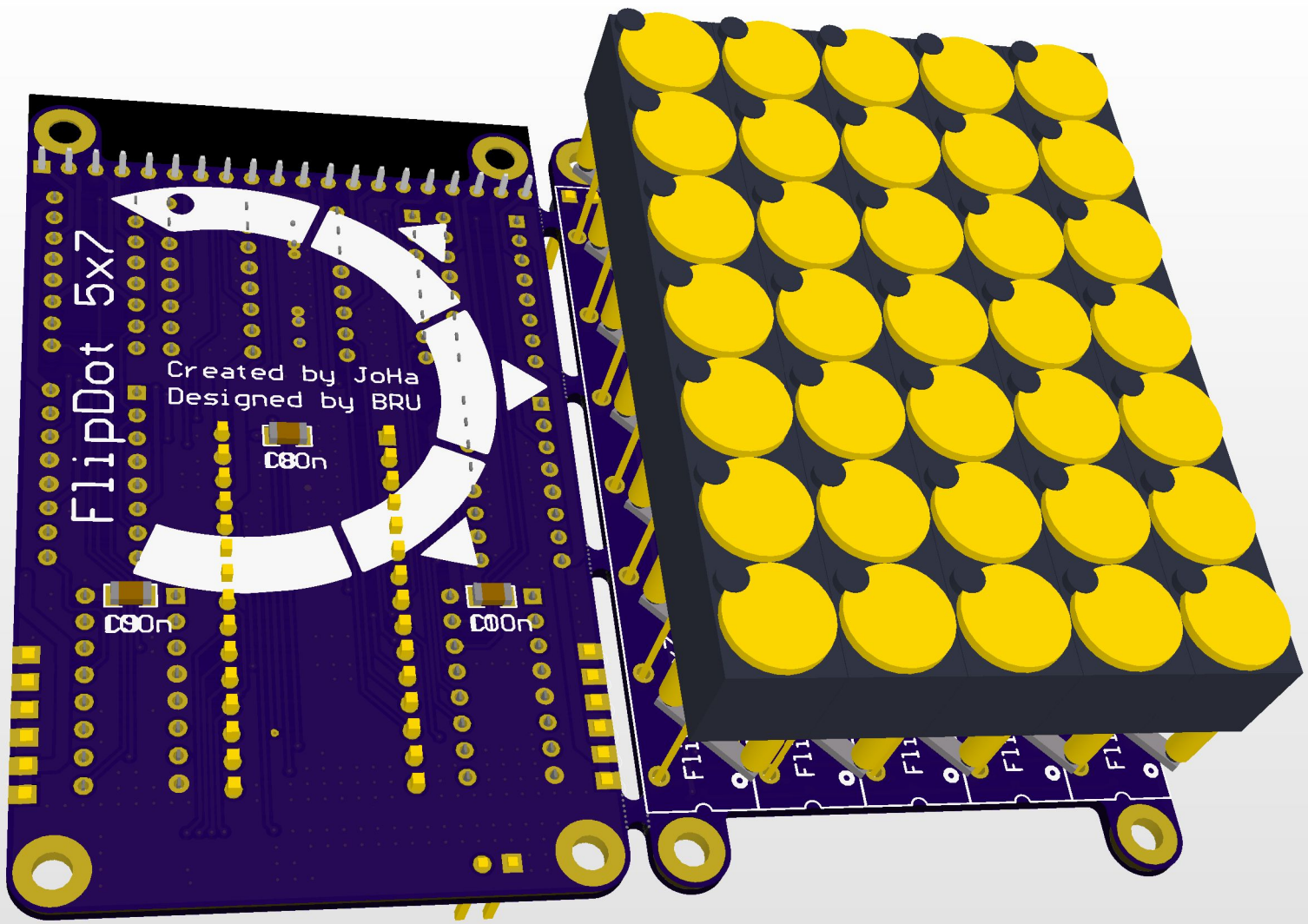
100n

Demo Mode

JUMPER







Liste Einkauf



Bill of Materials For Project [FlipDot Displaycontroller.PrjPCB] (No PCB Document Selected)

Project: FlipDot Displaycontroller.PrjPCB
Source: FlipDot Displaycontroller.PrjPCB

Version: V1.0
Date/Time: 01.04.2016 11:36:51
Variant: None

Quantity	Designator	Comment	Description	Footprint	Supplier 1	Supplier Part Number 1	Remarks
4	A1, A2, A3, A4	JUMPER	JUMPER SMD	JUMPER1P_Big			
2	C1, C2	100u/25V	AE Cap THT Radial RM2.5 100uF/25V	CAP_ELKO_RAD_6.3 x11_RM2.5	AliExpress		
8	C3, C4, C5, C6, C7, C8, C9, C10	100n	Capacitor 100n SMD-1206	C1206_R	Reichelt	X7R-G1206 100N	
1	CN1	Connector 1x20pol	Buchsenleiste 1x20 pol 2,54mm 90°	Buchsenleiste_1x20_ 2,54mm 90°	Reichelt	BL 1X20W8 2,54	
1	CN2	Connector 1x20pol	Buchsenleiste 1x20 pol 2,54mm 90°	Wrap_1x20_2,54mm	Reichelt	BL 1X20W8 2,54	
2	CN3, CN4	Connector 1x6pol	Stiftleisten 2,54 mm, 1X06, gerade	Wrap_1x6_2,54mm	Reichelt	MPE 087-1-006	
35	D1, D2, D3, D4, D5, D6, D7, D8, D9, D10, D11, D12, D13, D14, D15, D16, D17, D18, D19, D20, D21, D22, D23, D24, D25, D26, D27, D28, D29, D30, D31, D32, D33, D34, D35	BAV99	Silicon Epitaxial Planar Diode double	SOT23-3			
5	FD1, FD2, FD3, FD4, FD5	FlipDot x7		FD1x7	Ebay	FlipDots 1x7	
6	IC1, IC2, IC3, IC4, IC5, IC6	L293D	Quadruple Half-H Drivers	DIP-16IPC	TME	L293D	
2	IC7, IC8	74HC238	3-to-8 line decoder/demultiplexer; non inverting	DIP-16IPC	Farnell	1826779	
1	J1	Demo Mode	Drahtbrücke	WRAP_1x2_2,54mm			
1	MD1	ARDUINO NANO	Arduino Nano Modul	MODUL_Nano	Aliexpress	Arduino Nano	
68							