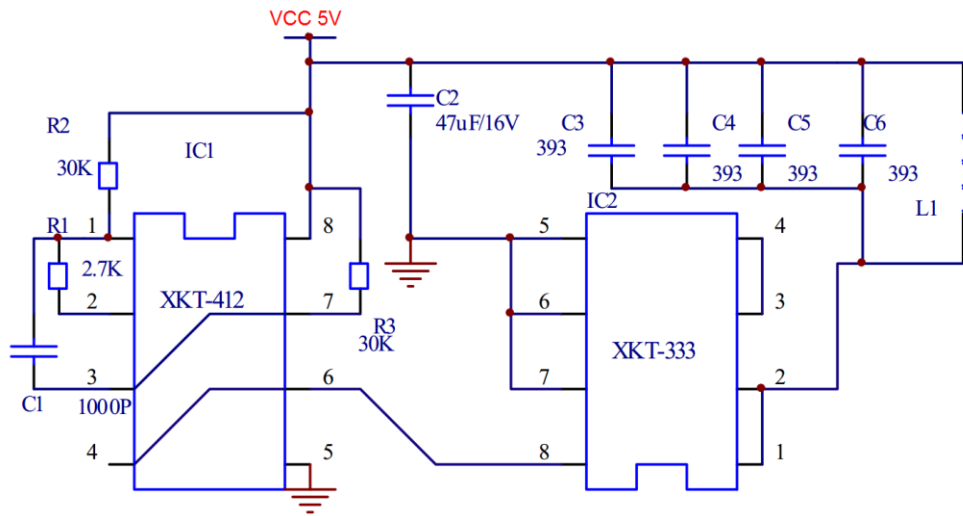


## Transmitting Terminal Circuit



## Receiving Terminal Circuit

