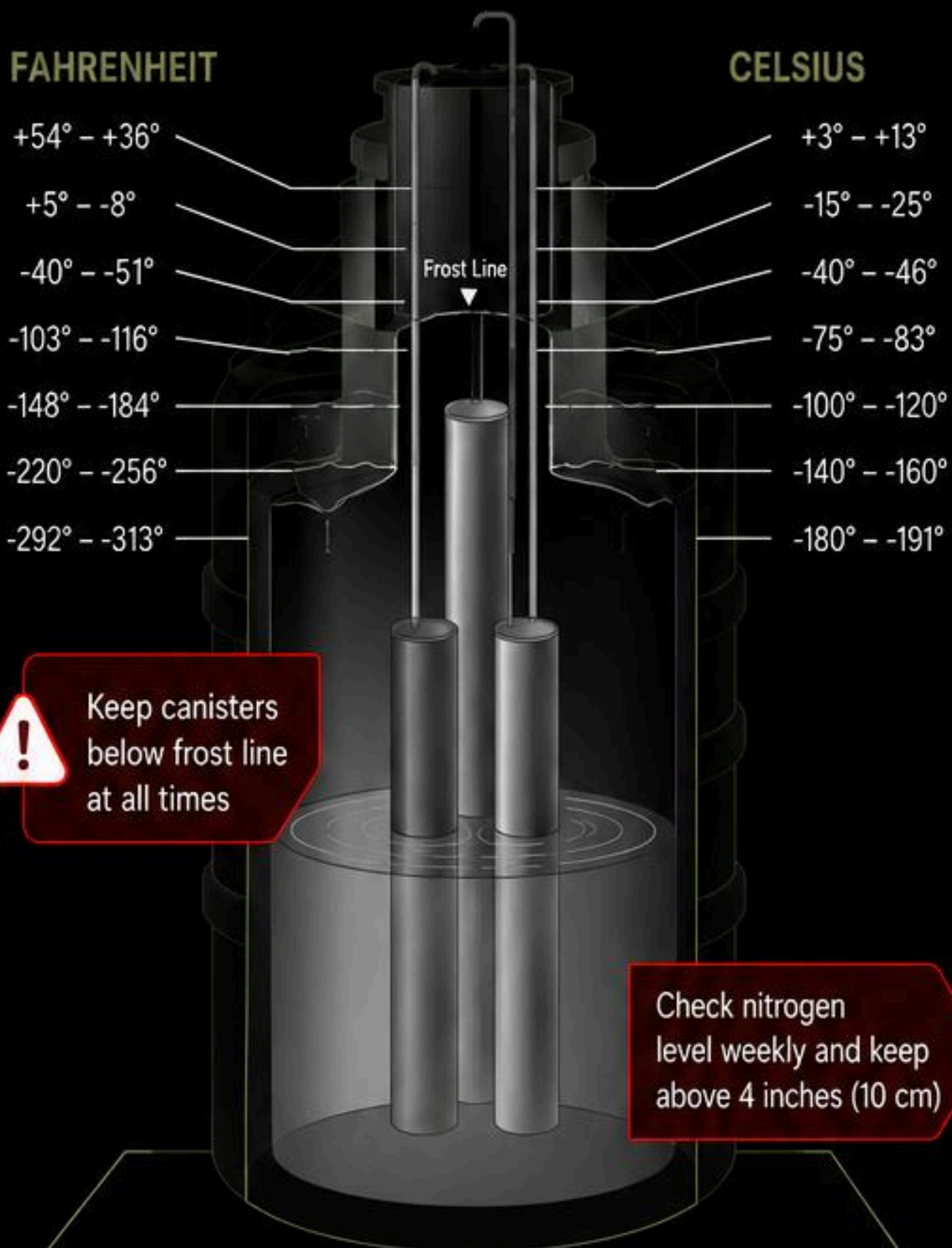


Guidelines for semen storage and handling

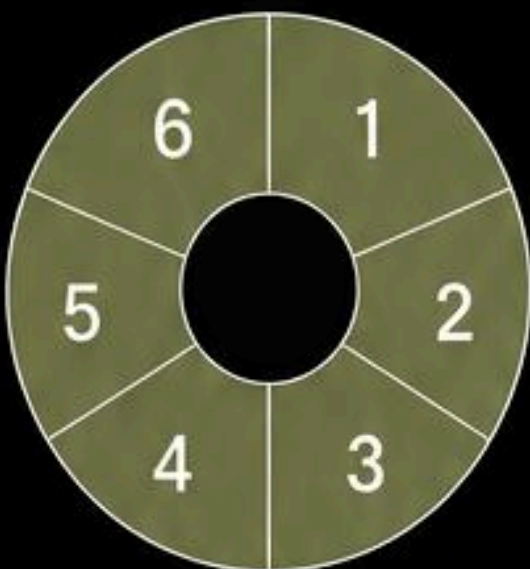


! Keep canisters below frost line at all times

Check nitrogen level weekly and keep above 4 inches (10 cm)

✓ Store tank on a sturdy base raised off the ground in a dry environment

Other tips for storage and handling



Inventory should be updated every time semen enters or exits the tank



Always ensure hands, gun and all equipment are kept clean and thermometer is working properly

10 Critical Steps for Thawing & Insemination

- 1** **10** seconds

Remove canister from its storage position and work below the frost line. Canisters should be in neck of tank for no longer than 10 seconds.
- 2**

Use precooled tweezers to transfer straw to thaw bath in 5 seconds or less.
- 3**

Thaw semen in temperature controlled thaw bath.

 - If multiple straws are being thawed, ensure they are not in contact with one another.
 - Only thaw enough semen that can be used within 5 minutes for sexed semen or 10 minutes for conventional.

45-60 seconds
95°F (35°C)
- 4**

Pre-warm gun to prevent cold shock.
- 5**

Remove straw from thaw bath, dry straw with clean towel; do not touch straw with bare hands.
- 6**

Load straw in gun, plug end first.
- 7**

Cut straw at a right angle at semen level; wipe scissors clean after cutting.
- 8**

Place sheath over cut end of straw; lock sheath into gun. Prime gun to remove air bubbles and place protective sheath over gun.
- 9**

Wrap inseminating rod with a clean, dry paper towel to protect against dirt, moisture and temperature fluctuations.
- 10**

After insemination, make sure animal is properly identified and insemination is recorded with:

DATE: COW: BULL: TECHNICIAN: