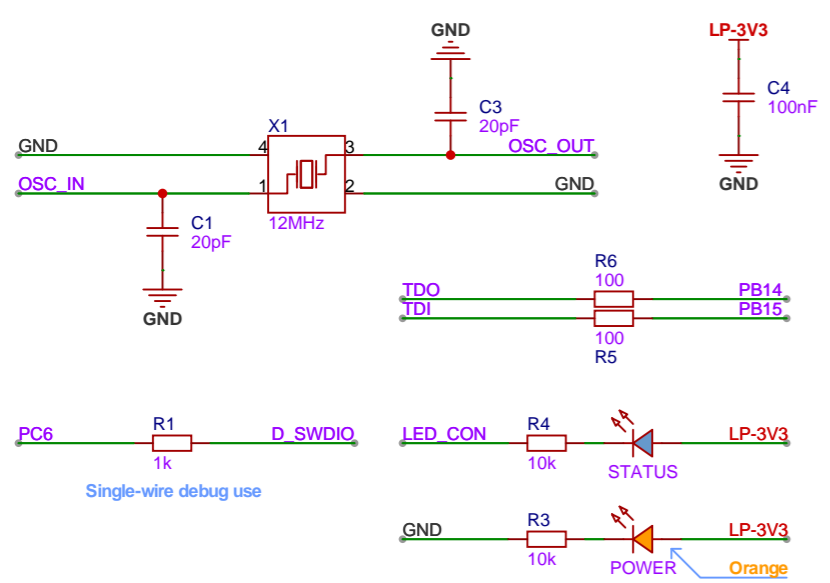
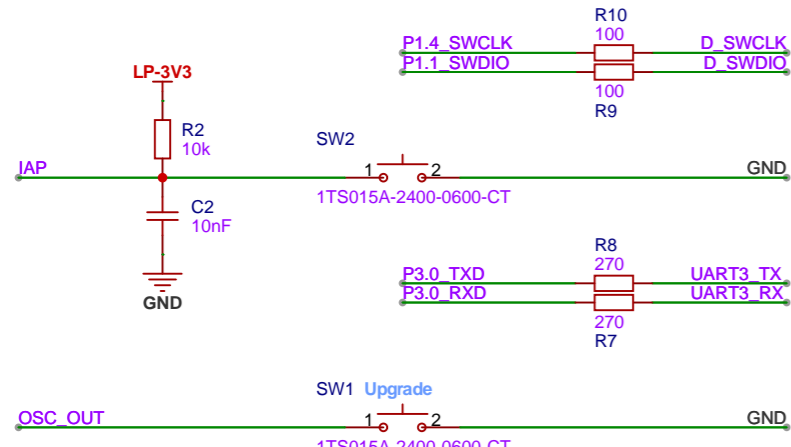
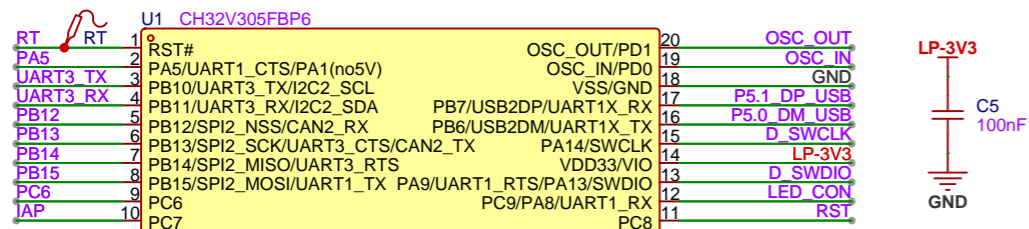
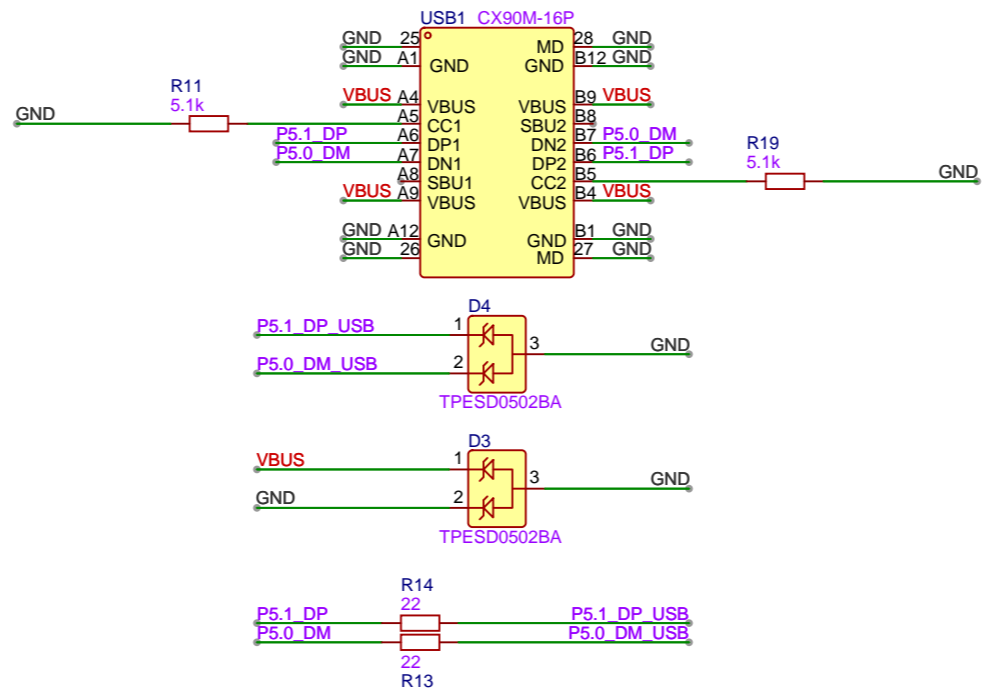


WCH-LINKE CH32V305FBP6 ARM32

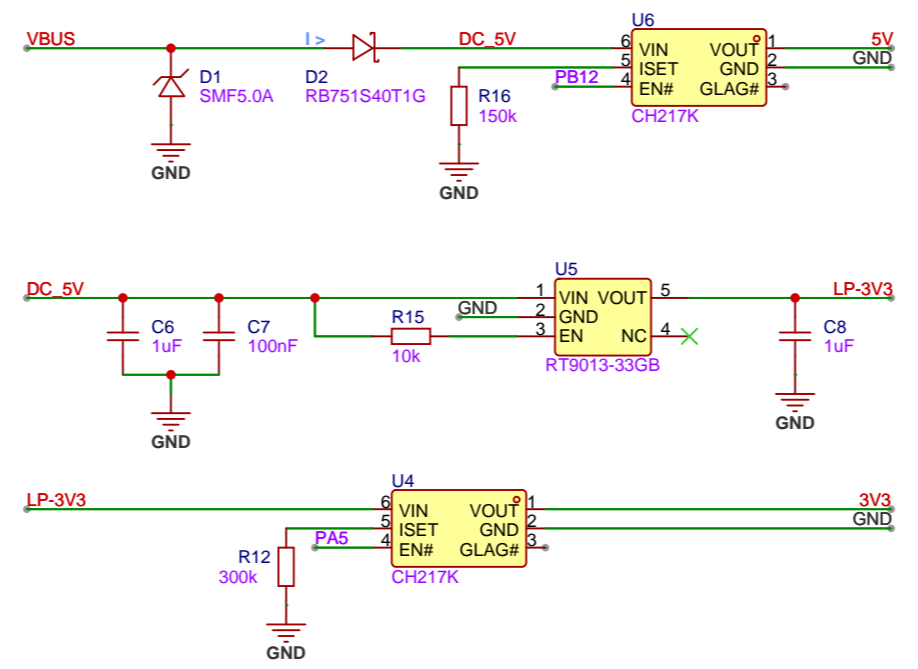


未经许可禁止商用

USBC USB2.0 480M P+DGND ESD+TVS



USBC FUSE LDO Low Dropout + Low Noise



SWD ^SWD+UART MUX+TOUCH

