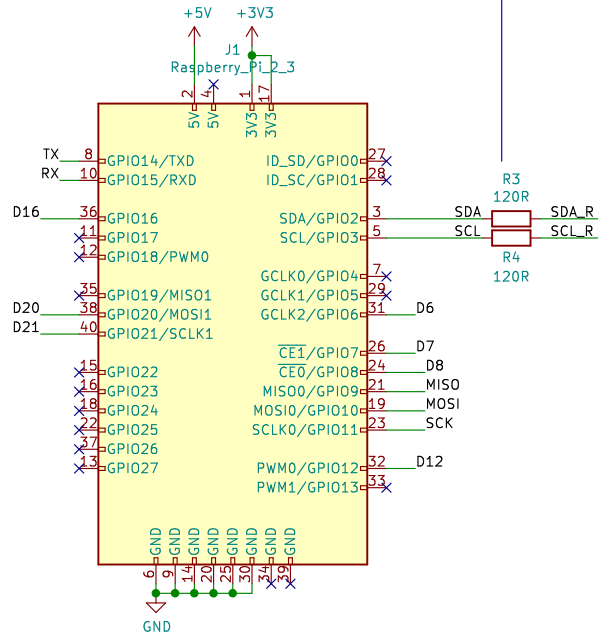
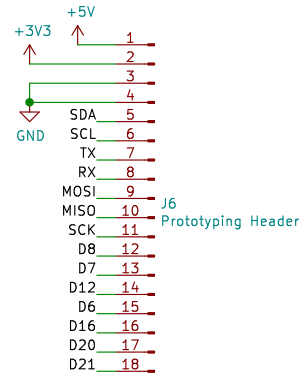


## Raspberry Pi GPIO

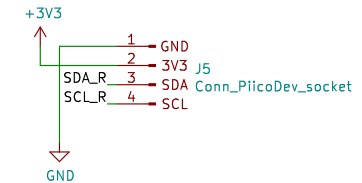
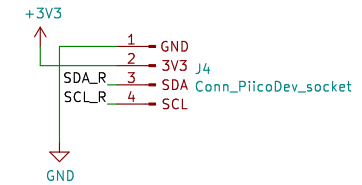
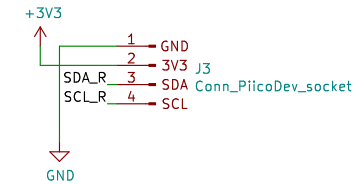
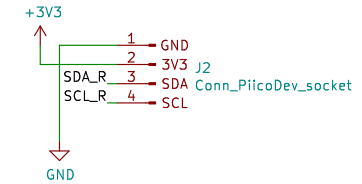


Series resistance to damp waveform for long buses.  
Long buses can present destructive undershoot, exceeding absolute-maximum rating of the RPi

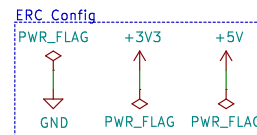
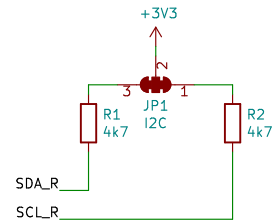
## Prototyping Header



## PiicoDev connectors



## I2C pullup resistors



**piico<sup>®</sup>dev**

**made with ♥  
in the Hunter**

Adapted by Michael Ruppe  
Creative Commons Share-alike 4.0 International  
<http://creativecommons.org/licenses/by-sa/4.0>  
Based off the design by SparkFun: [https://github.com/sparkfun/Qwiic\\_Hat\\_for\\_Raspberry\\_Pi](https://github.com/sparkfun/Qwiic_Hat_for_Raspberry_Pi)  
**Core Electronics**

Sheet: /  
File: PiicoDev-Raspberry-Pi-Adapter.sch

**Title: PiicoDev Adapter for Raspberry Pi**

Size: A4 Date: 2022-01-19 Rev: v13

KiCad E.D.A. eeschema (5.1.8-44-gfd79c7ae46)-1 Id: 1/1

