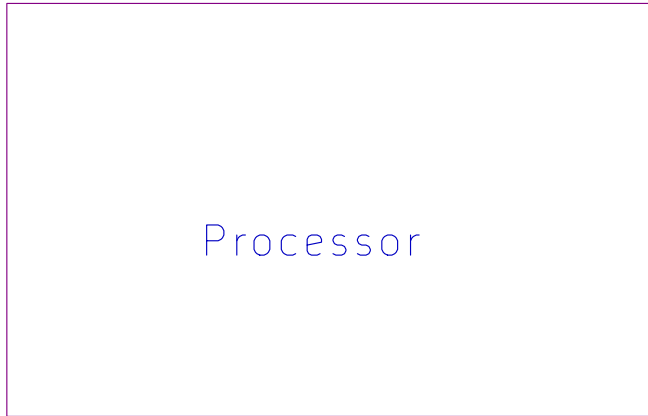


# Duet3 ToolBoard 1LC

## 1 TMC 2209

Processor



File: Processor.kicad\_sch

Stepper Driver & Endstops



File: Stepper\_Drv.kicad\_sch

Headers



File: Headers.kicad\_sch

www.duet3d.com

(c) Duet3D

**Duet3D**

Sheet: /

File: Duet3\_TB\_1LC.kicad\_sch

**Title: Duet 3 – Tool Board – 1LC**

Size: A4

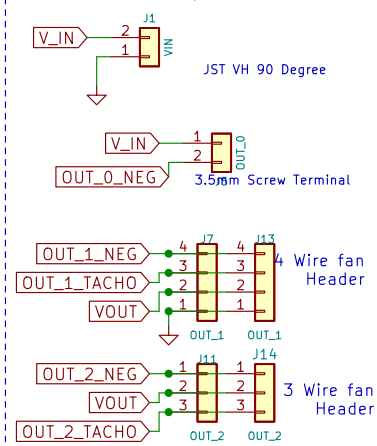
Date: 2022-04-05

Rev: 1.3

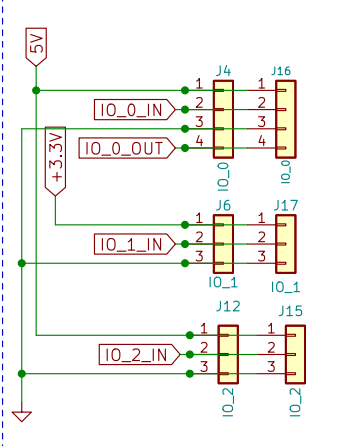
KiCad E.D.A. kicad (6.0.0)

Id: 1/4

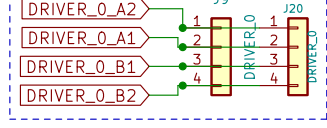
Power, MOSFET outputs



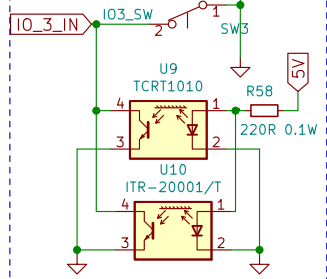
IO



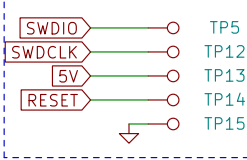
Motor Connector - JST PA



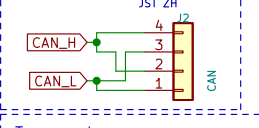
IO3 Options



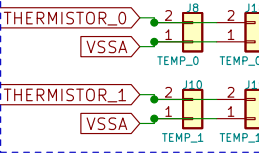
SWD SMT Pads



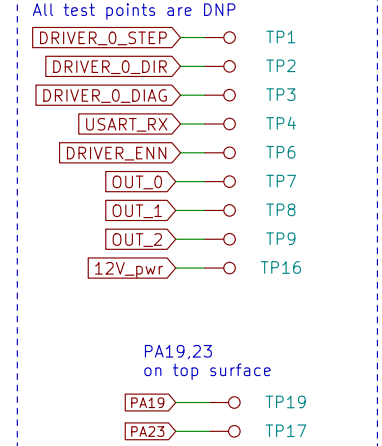
CAN



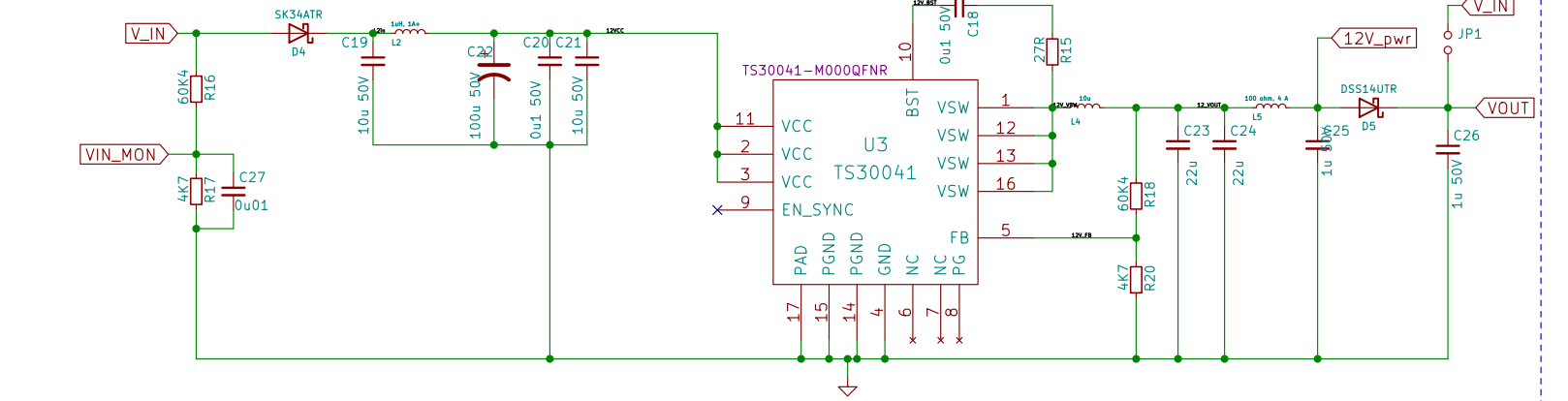
Temperature



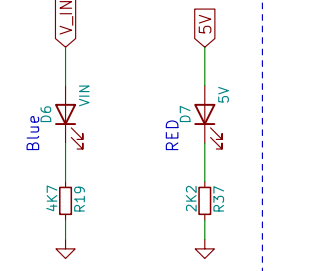
Test Points



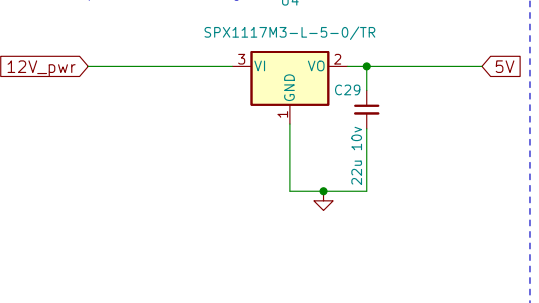
24-36V Input, 12V 2A Output PWM Buck Converter



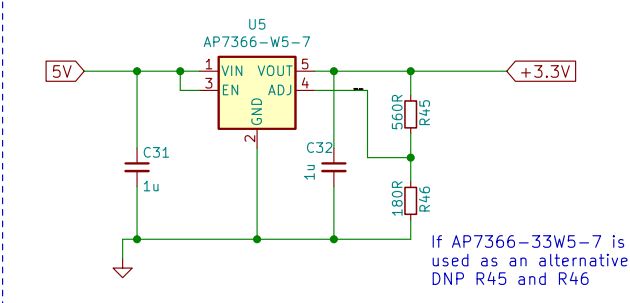
Power LED 5V LED



12V Input, 5V Output Low Drop-Out Linear Regulator



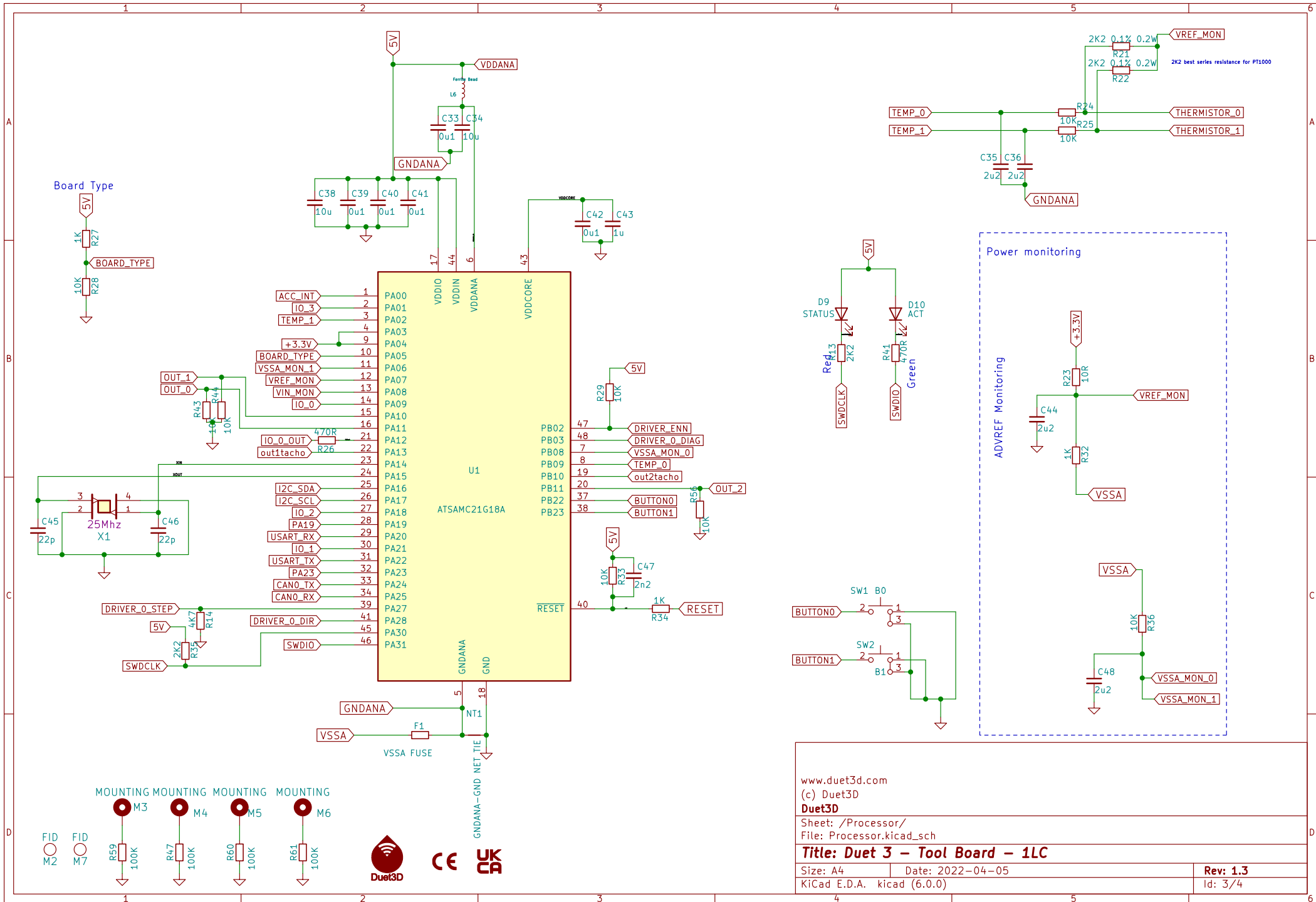
5V Input, 3.3V Output Low Drop-Out Linear Regulator



www.duet3d.com  
(c) Duet3D  
**Duet3D**  
Sheet: /Headers/  
File: Headers.kicad\_sch

**Title: Duet 3 - Tool Board - 1LC**

Size: A4	Date: 2022-04-05
KiCad E.D.A. kicad (6.0.0)	Rev: 1.3 Id: 2/4



www.duet3d.com

(c) Duet3D

**Duet3D**

Sheet: /Processor/

File: Processor.kicad\_sch

**Title: Duet 3 - Tool Board - 1LC**

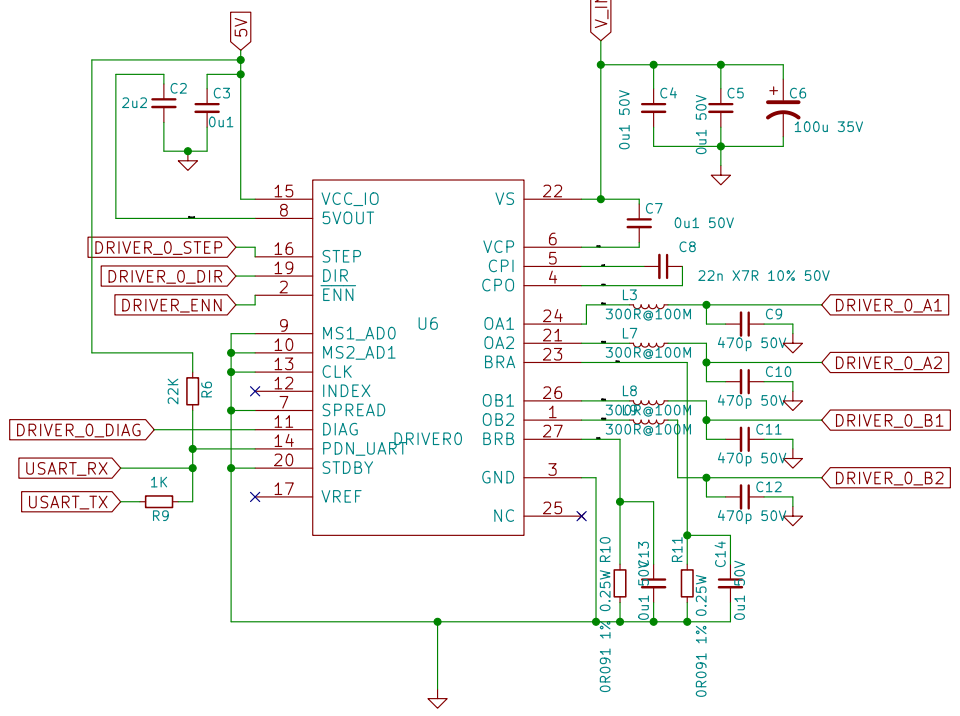
Size: A4 Date: 2022-04-05

KiCad E.D.A. kicad (6.0.0)

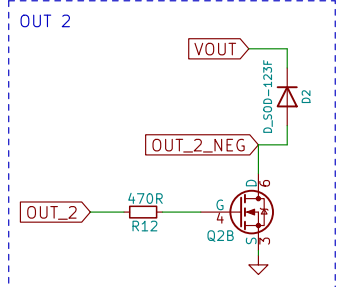
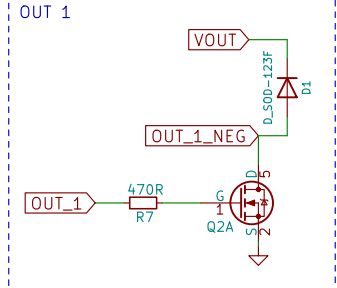
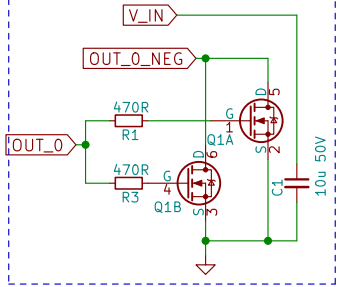
**Rev: 1.3**

Id: 3/4

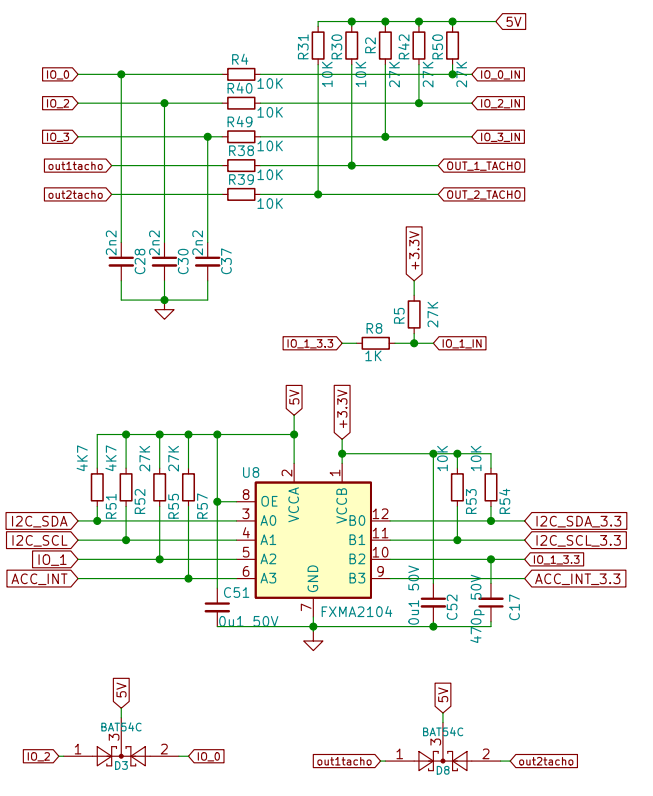
Driver 0



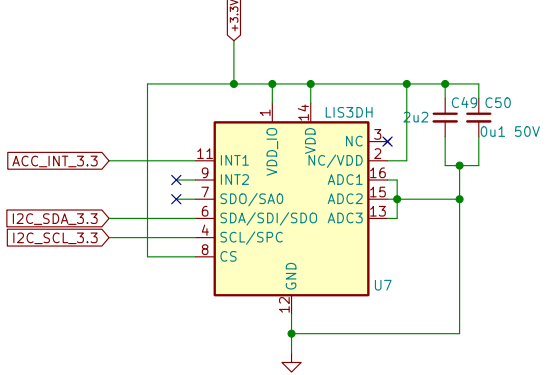
OUT 0 MOSFET CONTROL



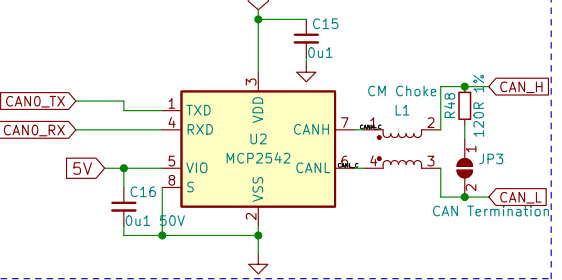
Input protection and level shifting



Accelerometer



CAN Transceiver



www.duet3d.com  
 (c) Duet3D  
**Duet3D**  
 Sheet: /Stepper Driver & Endstops/  
 File: Stepper\_Drv.kicad\_sch  
**Title: Duet 3 - Tool Board - 1LC**  
 Size: A4 Date: 2022-04-05  
 KiCad E.D.A. kicad (6.0.0) Rev: 1.3  
 Id: 4/4