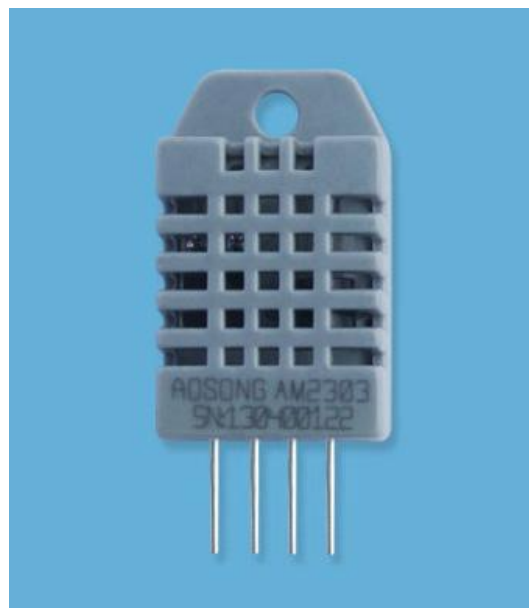


AOSONG

Temperature and humidity module

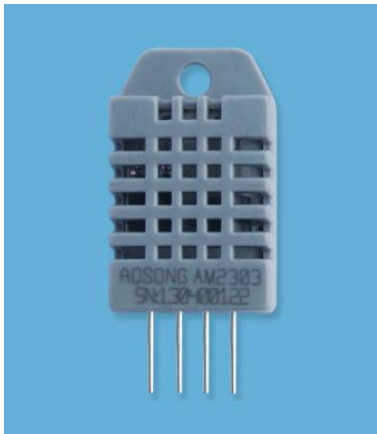
AM2303 Product Manual



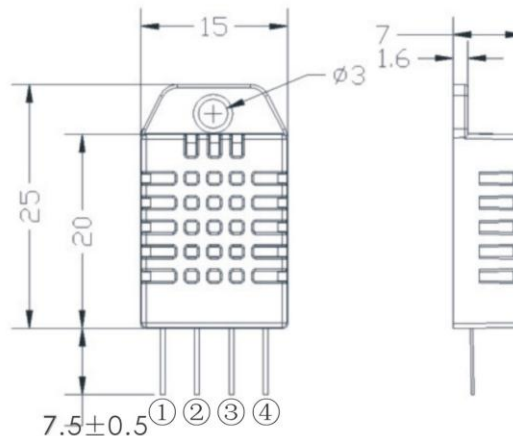
www.aosong.com

1、 Product Overview

AM2303 capacitive humidity sensing digital temperature and humidity module is one that contains the compound has been calibrated digital signal output of the temperature and humidity sensors. Application of a dedicated digital modules collection technology and the temperature and humidity sensing technology, to ensure that the product has high reliability and excellent long-term stability. The sensor includes a capacitive sensor wet components and a high-precision temperature measurement devices, and connected with a high-performance 8-bit microcontroller. The product has excellent quality, fast response, strong anti-jamming capability, and high cost. Each sensor is extremely accurate humidity calibration chamber calibration. The form of procedures, the calibration coefficients stored in the microcontroller, the sensor within the processing of the heartbeat to call these calibration coefficients. Standard single-bus interface, system integration quick and easy. Small size, low power consumption, signal transmission distance up to 20 meters, making it the best choice of all kinds of applications and even the most demanding applications. Products for the 3-lead (single-bus interface) connection convenience. Special packages according to user needs.



Physical map



Dimensions (unit: mm)

2、 Applications

HVAC, dehumidifier, testing and inspection equipment, consumer goods, automotive, automatic control, data loggers, home appliances, humidity regulator, medical, weather stations, and other humidity measurement and control and so on.

3、 Features

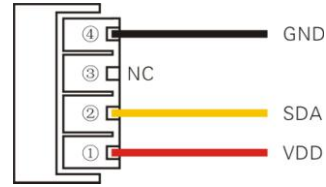
Ultra-low power, the transmission distance, fully automated calibration, the use of capacitive humidity sensor, completely interchangeable, standard digital single-bus output, excellent long-term stability, high accuracy temperature measurement devices.

4、 The definition of single-bus interface

4.1 AM2303 Pin assignments

Table 1: AM2303 Pin assignments

| Pin | Name | Description |
|-----|------|---------------------------------|
| ① | VDD | Power (3.3V–5.5V) |
| ② | SDA | Serial data, bidirectional port |
| ③ | NC | Empty |
| ④ | GND | Ground |



PIC1: AM2303 Pin Assignment

4.2 Power supply pins (VDD GND)

AM2303 supply voltage range 3.3V – 5.5V, recommended supply voltage is 5V.

4.3 Serial data (SDA)

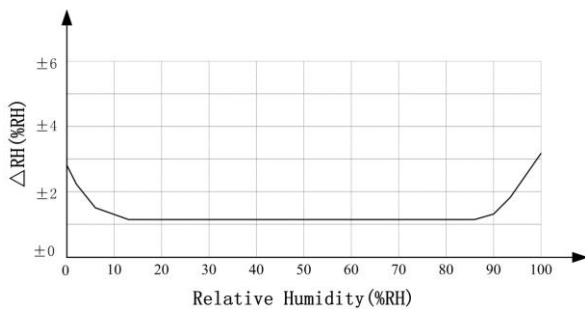
SDA pin is tri structure for reading, writing sensor data. Specific communication timing, see the detailed description of the communication protocol.

5、 Sensor performance

5.1 Relative humidity

Table 2: AM2303 Relative humidity performance table

| Parameter | Condition | min | typ | max | Unit |
|-------------------------|-----------|----------------------------|-------|------|--------|
| Resolution | | | 0.1 | | %RH |
| Range | | 0 | | 99.9 | %RH |
| Accuracy ^[1] | 25°C | | ± 2 | | %RH |
| Repeatability | | | ± 0.1 | | %RH |
| Exchange | | Completely interchangeable | | | |
| Response ^[2] | 1/e(63%) | | <5 | | S |
| Sluggish | | | ± 0.3 | | %RH |
| Drift ^[3] | Typical | | <0.5 | | %RH/yr |

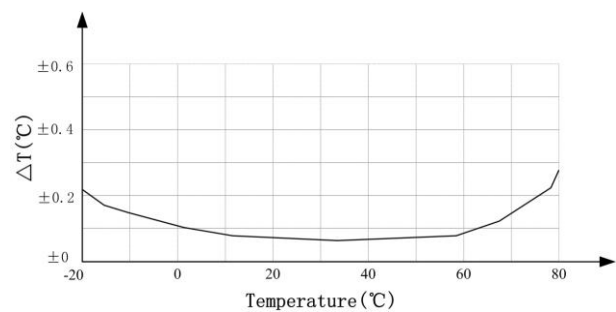


Pic2: At25°C The error of relative humidity

5.2 Temperature

Table 3: AM2303 Relative temperature performance

| Parameter | Condition | min | typ | max | Unit |
|-----------|-----------|----------------------------|-------|-------|-------|
| Resolutio | | | 0.1 | | °C |
| n | | | 16 | | bit |
| Accuracy | | | ± 0.3 | ± 0.4 | °C |
| Range | | -40 | | 125 | °C |
| Repeat | | | ± 0.2 | | °C |
| Exchange | | Completely interchangeable | | | |
| Response | 1/e(63%) | | <5 | | S |
| Drift | | | ± 0.1 | | °C/yr |



Pic3: The maximum temperature error

6、Electrical Characteristics

Electrical characteristics, such as energy consumption, high, low, input, output voltage, depending on the power supply. Table 4 details the electrical characteristics of the AM2303, if not identified, said supply voltage of 5V. To get the best results with the sensor, please design strictly in accordance with the conditions of design in Table 4.

Table 4: AM2303 DC Characteristics

| Parameter | Condition | min | typ | max | Unit |
|----------------------------------|--------------------------------|-----|-----|------|------|
| Voltage | | 3.3 | 5 | 5.5 | V |
| Power consumption ^[4] | Dormancy | 10 | 15 | | μA |
| | Measuring | | 500 | | μA |
| | Average | | 300 | | μA |
| Low level output voltage | I _{OL} ^[5] | 0 | | 300 | mV |
| High output voltage | R _p <25 kΩ | 90% | | 100% | VDD |
| Low input voltage | Decline | 0 | | 30% | VDD |
| Input High Voltage | Rise | 70% | | 100% | VDD |
| R _{pu} ^[6] | VDD = 5V VIN = VSS | 30 | 45 | 60 | kΩ |
| Output current | turn on | | 8 | | mA |
| | turn off | 10 | 20 | | μA |
| Sampling period | | 2 | | | S |

[1] the accuracy of the factory inspection, the sensor 25 °C and 5V, the accuracy specification of test conditions, it does not include hysteresis and nonlinearity, and is only suitable for non-condensing environment.

[2] to achieve an order of 63% of the time required under the conditions of 25 °C and 1m / s airflow.

[3] in the volatile organic compounds, the values may be higher. See the manual application to store information.

[4] this value at VDD = 5.0V when the temperature is 25 °C, 2S / time, under the conditions of the average.

[5] low output current.

[6] that the pull-up resistor.

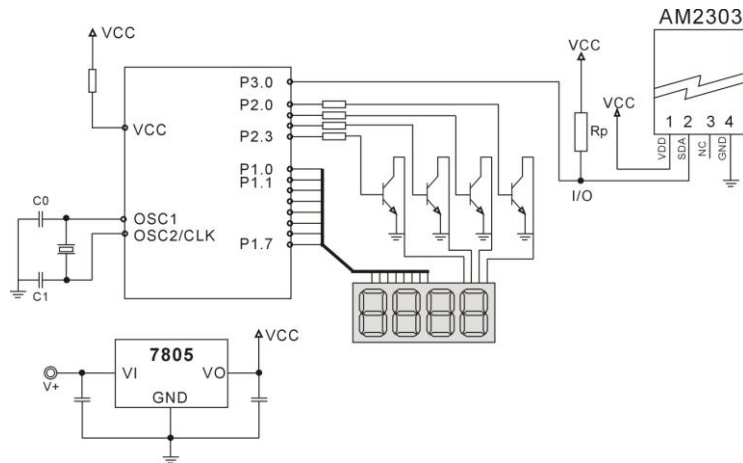
7、Single-bus communication (ONE-WIRE)

7.1 Typical circuits for single bus

Microprocessor and AM2303 connection typical application circuit is shown in Figure 4. Single bus communication mode, pull the SDA microprocessor I / O port is connected.

Special instructions of the single-bus communication :

1. Typical application circuit recommended in the short cable length of 30 meters on the 5.1K pull-up resistor pullup resistor according to the actual situation of lower than 30 m.
2. With 3.3V supply voltage, cable length shall not be greater than 100cm. Otherwise, the line voltage drop will lead to the sensor power supply, resulting in measurement error.
3. Read the sensor minimum time interval for the 2S; read interval is less than 2S, may cause the temperature and humidity are not allowed or communication is unsuccessful, etc..
4. Temperature and humidity values are each read out the results of the last measurement For real-time data that need continuous read twice, we recommend repeatedly to read sensors, and each read sensor interval is greater than 2 seconds to obtain accuratethe data.



Pic4: AM2303 Typical circuits for single bus

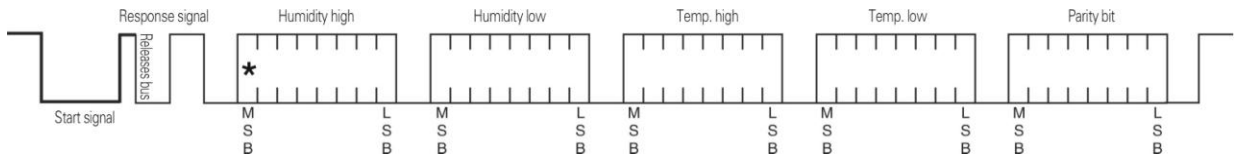
7.2、Single-bus communication protocol

◎ Single bus Description

AM2303 device uses a simplified single-bus communication. Single bus that only one data line, data exchange system, controlled by the data line to complete. Equipment (microprocessor) through an open-drain or tri-state port connected to the data line to allow the device does not send data to release the bus, while other devices use the bus; single bus usually require an external about 5.1kΩ pull-up resistor, so when the bus is idle, its status is high. Because they are the master-slave structure, only the host calls the sensor, the sensor will answer, so the hosts to access the sensor must strictly follow the sequence of single bus, if there is a sequence of confusion, the sensor will not respond to the host.

◎ Single bus to send data definition

SDA For communication and synchronization between the microprocessor and the AM2303, single-bus data format, a transmission of 40 data, the high first-out. Specific communication timing shown in Figure 5, the communication format is depicted in Table 5.



Pic5: AM2303 Single-bus communication protocol

Table 5: AM2303 Communication format specifier

| Name | Single-bus format definition |
|-----------------|---|
| Start signal | Microprocessor data bus (SDA) to bring down a period of time (at least 800μ s) [1] notify the sensor to prepare the data. |
| Response signal | Sensor data bus (SDA) is pulled down to 80μ s, followed by high-80μ s response to host the start signal. |
| Data format | Host the start signal is received, the sensor one-time string from the data bus (SDA) 40 data, the high first-out. |
| Humidity | Humidity resolution of 16Bit, the previous high; humidity sensor string value is 10 times the actual humidity values. |
| Temp. | Temperature resolution of 16Bit, the previous high; temperature sensor string value is 10 times the actual temperature value; The temperature is the highest bit (Bit15) is equal to 1 indicates a negative temperature, the temperature is the highest bit (Bit15) is equal to 0 indicates a positive temperature; Temperature in addition to the most significant bit (Bit14 ~ bit 0) temperature values. |
| Parity bit | Parity bit = humidity high + humidity low + temperature high + temperature low |

◎ **Single-bus data calculation example**

Example 1: 40 Data received:

| | | | | |
|------------------|------------------|------------------|------------------|------------------|
| <u>0000 0010</u> | <u>1001 0010</u> | <u>0000 0001</u> | <u>0000 1101</u> | <u>1010 0010</u> |
| High humidity 8 | Low humidity 8 | High temp. 8 | Low temp. 8 | Parity bit |

Calculate:

0000 0010+1001 0010 +0000 0001+0000 1101= 1010 0010 (Parity bit)

Received data is correct:

humidity: 0000 0010 1001 0010 = 0292H (Hexadecimal)= 2 × 256 + 9 × 16 + 2 = 658
=> Humidity = 65.8%RH

Temp.: 0000 0001 0000 1101 = 10DH(Hexadecimal) = 1 × 256 + 0 × 16 + 13 = 269
=> Temp.= 26.9°C

◎ **Special Instructions:**

When the temperature is below 0 °C, the highest position of the temperature data.

Example: -10.1 °C Expressed as 1 000 0000 0110 0101

Temp.: 0000 0000 0110 0101 = 0065H(Hexadecimal)= 6 × 16 + 5 = 101
=> Temp. = -10.1°C

Example 2: 40 received data:

| | | | | |
|------------------|------------------|------------------|------------------|------------------|
| <u>0000 0010</u> | <u>1001 0010</u> | <u>0000 0001</u> | <u>0000 1101</u> | <u>1011 0010</u> |
| High humidity 8 | Low humidity 8 | High temp. 8 | Low temp. 8 | Parity bit |

Calculate:

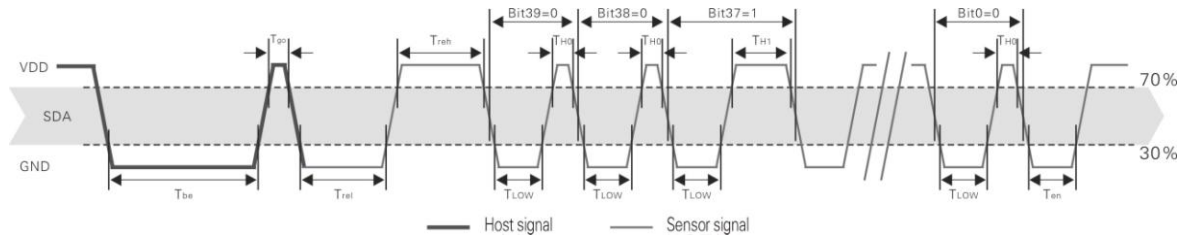
0000 0010+1001 0010 +0000 0001+0000 1101= 1010 0010 ≠ 1011 0010 (Validation error)

The received data is not correct, give up, to re-receive data.

7.3 Single-bus communication timing

User host (MCU) to send a start signal (data bus SDA line low for at least 800μ s) after AM2303 from Sleep mode conversion to high-speed mode. The host began to signal the end of the AM2303 send a response signal sent from the data bus SDA serial 40Bit's data, sends the byte high; data sent is followed by: Humidity high、Humidity low、Temperature high、Temperature low、Parity bit， Send data to the end of trigger information collection, the collection end of the sensor is automatically transferred to the sleep mode, the advent until the next communication.

Detailed timing signal characteristics in Table 6， Single-bus communication timing diagram Pic 6：



Pic 6: AM2303 Single-bus communication timing

Note: the temperature and humidity data read by the host from the AM2303 is always the last measured value, such as the two measurement interval is very long, continuous read twice to the second value of real-time temperature and humidity values, while two readtake minimum time interval be 2S.

Table 6: Single bus signal characteristics

| Symbol | Parameter | min | typ | max | Unit |
|------------------|---------------------------------|-----|-----|-----|------|
| T _{be} | Host the start signal down time | 0.8 | 1 | 20 | mS |
| T _{go} | Bus master has released time | 20 | 30 | 200 | μS |
| T _{rel} | Response to low time | 75 | 80 | 85 | μS |
| T _{reh} | In response to high time | 75 | 80 | 85 | μS |
| T _{LOW} | Signal "0", "1" low time | 48 | 50 | 55 | μS |
| T _{H0} | Signal "0" high time | 22 | 26 | 30 | μS |
| T _{H1} | Signal "1" high time | 68 | 70 | 75 | μS |
| T _{en} | Sensor to release the bus time | 45 | 50 | 55 | μS |

Note: To ensure the accurate communication of the sensor, the read signal, in strict accordance with the design parameters and timing in Table 6 and Figure 6.

7.4 Peripherals read step example

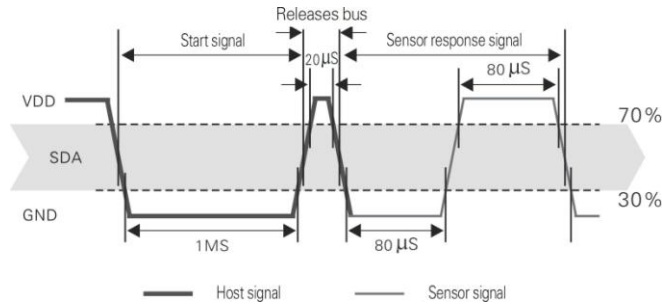
Communication between the host and the sensor can read data through the following three steps to complete.

Step 1

AM2303 have to wait for the power (on AM2303 power 2S crossed the unstable state, the device can not send any instructions to read during this period), the test environment temperature and humidity data, and record data, since the sensor into a sleep state automatically. AM2303 The SDA data line from the previous pull-up resistor pulled up is always high, the AM2303 the SDA pin is in input state, the time detection of external signal.

Step 2

Microprocessor I/O set to output, while output low, and low hold time can not be less than 800us, typical values are down 1MS, then the microprocessor I/O is set to input state, the release of the bus, due to the pull-up resistor, the microprocessor I/O AM2303 the SDA data line also will be high, the bus master has released the AM2303 send a response signal, that is, the output 80 microseconds low as the response signal, tightthen output high of 80 microseconds notice peripheral is ready to receive data signal transmission as shown to Pic7 :



Pic7: Single bus decomposition of the timing diagram

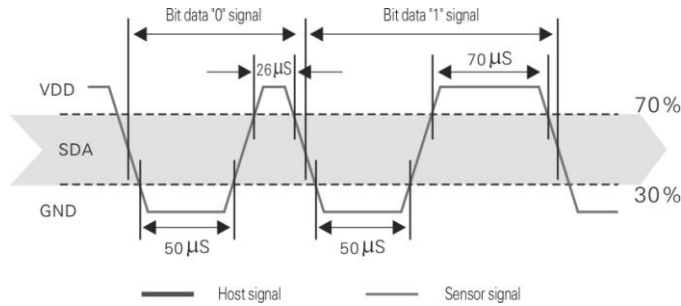
Step 3

AM2303 sending the response, followed by the data bus SDA continuous serial output 40 data, the microprocessor receives 40 data I/O level changes.

Bit data "0" format: 26–28 microseconds low plus high;

Bit data "1" format: the high level of low plus, 50 microseconds to 70 microseconds;

Bit data "0" bit data "1" format signal shown to pic 8:

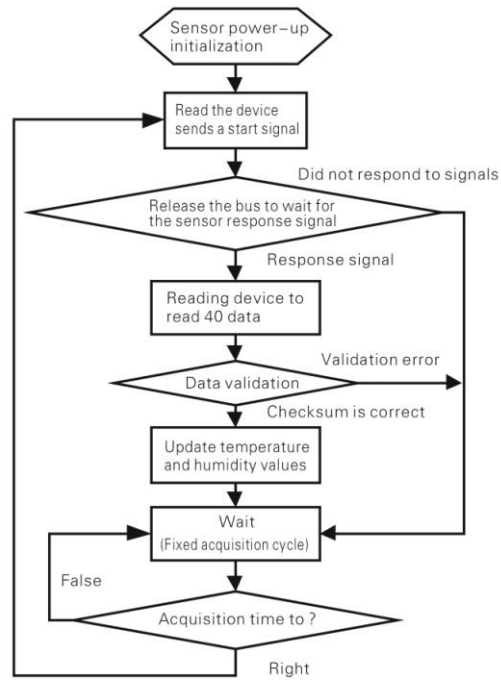


Pic 8: The single bus break down the timing diagram

AM2303 data bus SDA output 40 data continue to output the low 50 microseconds into the input state, followed by pull-up resistor goes high. AM2303 internal re-test environmental temperature and humidity data, and record the data, the end of the test records, the microcontroller automatically into hibernation. Microcontroller only after receipt of the start signal of the host wake-up sensor, into the working state.

7.5 Peripheral to read flow chart

AM2303 sensor read single bus flow chart diagram shown in Figure 9, we also provide the C51 read the code examples, customers need to download, please visit our website (www.aosong.com) related to downloadthis manual does not provide the code description.



Pic9: Single-bus to read the flow chart

8、 Application of information

1. Work and storage conditions

Outside the sensor the proposed scope of work may lead to temporary drift of the signal up to 300%RH. Return to normal working conditions, sensor calibration status will slowly toward recovery. To speed up the recovery process may refer to "resume processing". Prolonged use of non-normal operating conditions, will accelerate the aging of the product.

Avoid placing the components on the long-term condensation and dry environment, as well as the following environment.

A, salt spray

B, acidic or oxidizing gases such as sulfur dioxide, hydrochloric acid

Recommended storage environment

Temperature: 10 ~ 40 °C Humidity: 60% RH or less

2. The impact of exposure to chemicals

The capacitive humidity sensor has a layer by chemical vapor interference, the proliferation of chemicals in the sensing layer may lead to drift and decreased sensitivity of the measured values. In a pure environment, contaminants will slowly be released. Resume processing as described below will accelerate this process. The high concentration of chemical pollution (such as ethanol) will lead to the complete damage of the sensitive layer of the sensor.

3. The temperature influence

Relative humidity of the gas to a large extent dependent on temperature. Therefore, in the measurement of humidity,

should be to ensure that the work of the humidity sensor at the same temperature. With the release of heat of electronic components share a printed circuit board, the installation should be as far as possible the sensor away from the electronic components and mounted below the heat source, while maintaining good ventilation of the enclosure. To reduce the thermal conductivity sensor and printed circuit board copper plating should be the smallest possible, and leaving a gap between the two.

4. Light impact

Prolonged exposure to sunlight or strong ultraviolet radiation, and degrade performance.

5. Resume processing

Placed under extreme working conditions or chemical vapor sensor, which allows it to return to the status of calibration by the following handler. Maintain two hours in the humidity conditions of 45°C and <10% RH (dry); followed by 20–30°C and > 70% RH humidity conditions to maintain more than five hours.

6. Wiring precautions

The quality of the signal wire will affect the quality of the voltage output, it is recommended to use high quality shielded cable.

7. Welding information

Manual welding, in the maximum temperature of 300°C under the conditions of contact time shall be less than 3 seconds.

8. Product upgrades

Details, please the consultation Aosong electronics department.

9、 The license agreement

Without the prior written permission of the copyright holder, shall not in any form or by any means, electronic or mechanical (including photocopying), copy any part of this manual, nor shall its contents be communicated to a third party. The contents are subject to change without notice.

The Company and third parties have ownership of the software, the user may use only signed a contract or software license.

10、 Warnings and personal injury

This product is not applied to the safety or emergency stop devices, as well as the failure of the product may result in injury to any other application, unless a particular purpose or use authorized. Installation, handling, use or maintenance of the product refer to product data sheets and application notes. Failure to comply with this recommendation may result in death and serious personal injury. The Company will bear all damages resulting personal injury or death, and waive any claims that the resulting subsidiary company managers and employees and agents, distributors, etc. that may arise, including: a variety of costs, compensation costs, attorneys' fees, and so on.

11、 Quality Assurance

The company and its direct purchaser of the product quality guarantee period of three months (from the date of delivery). Publishes the technical specifications of the product data sheet shall prevail. Within the warranty period, the product was confirmed that the quality is really defective, the company will provide free repair or replacement. The user must satisfy the following conditions:

- ① The product is found defective within 14 days written notice to the Company;
- ② The product shall be paid by mail back to the company;
- ③ The product should be within the warranty period.

The Company is only responsible for those used in the occasion of the technical condition of the product defective product. Without any guarantee, warranty or written statement of its products used in special applications. Company for its products applied to the reliability of the product or circuit does not make any commitment.