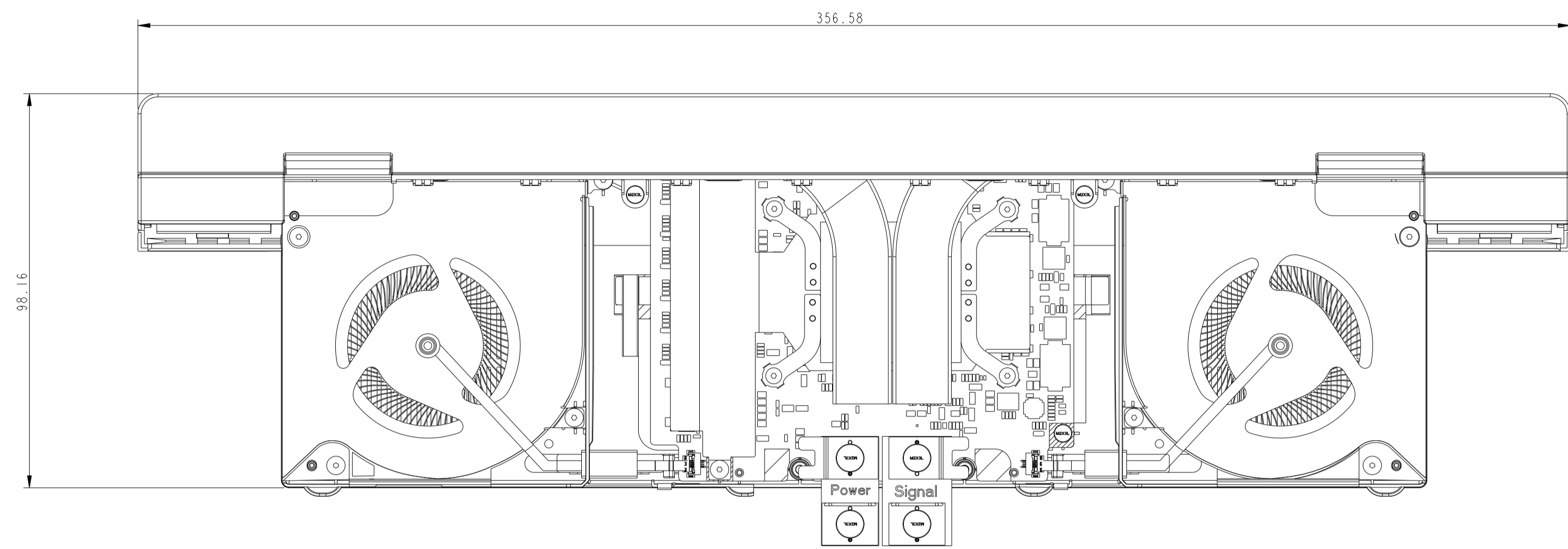
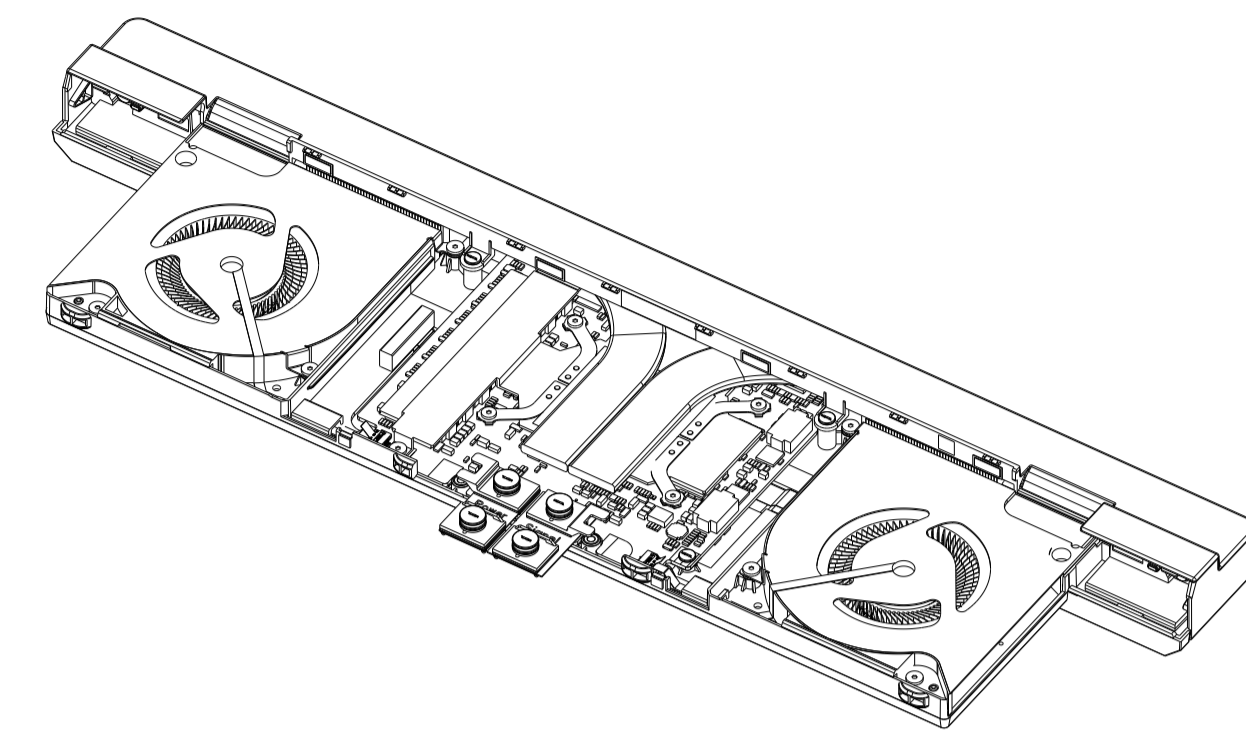
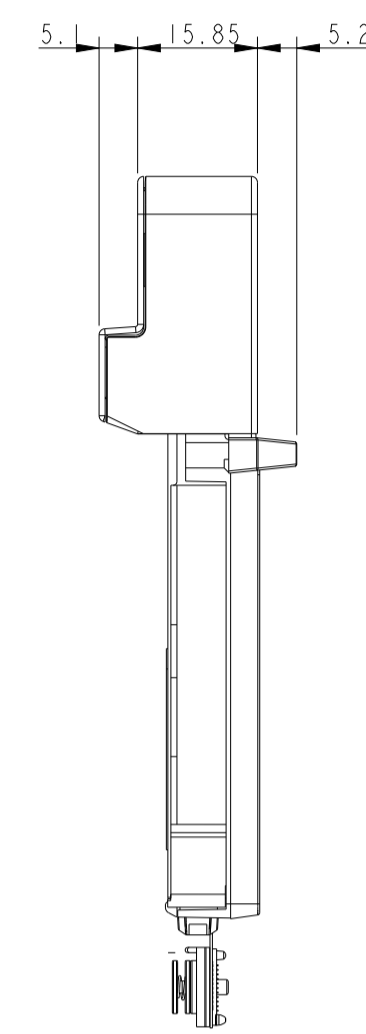


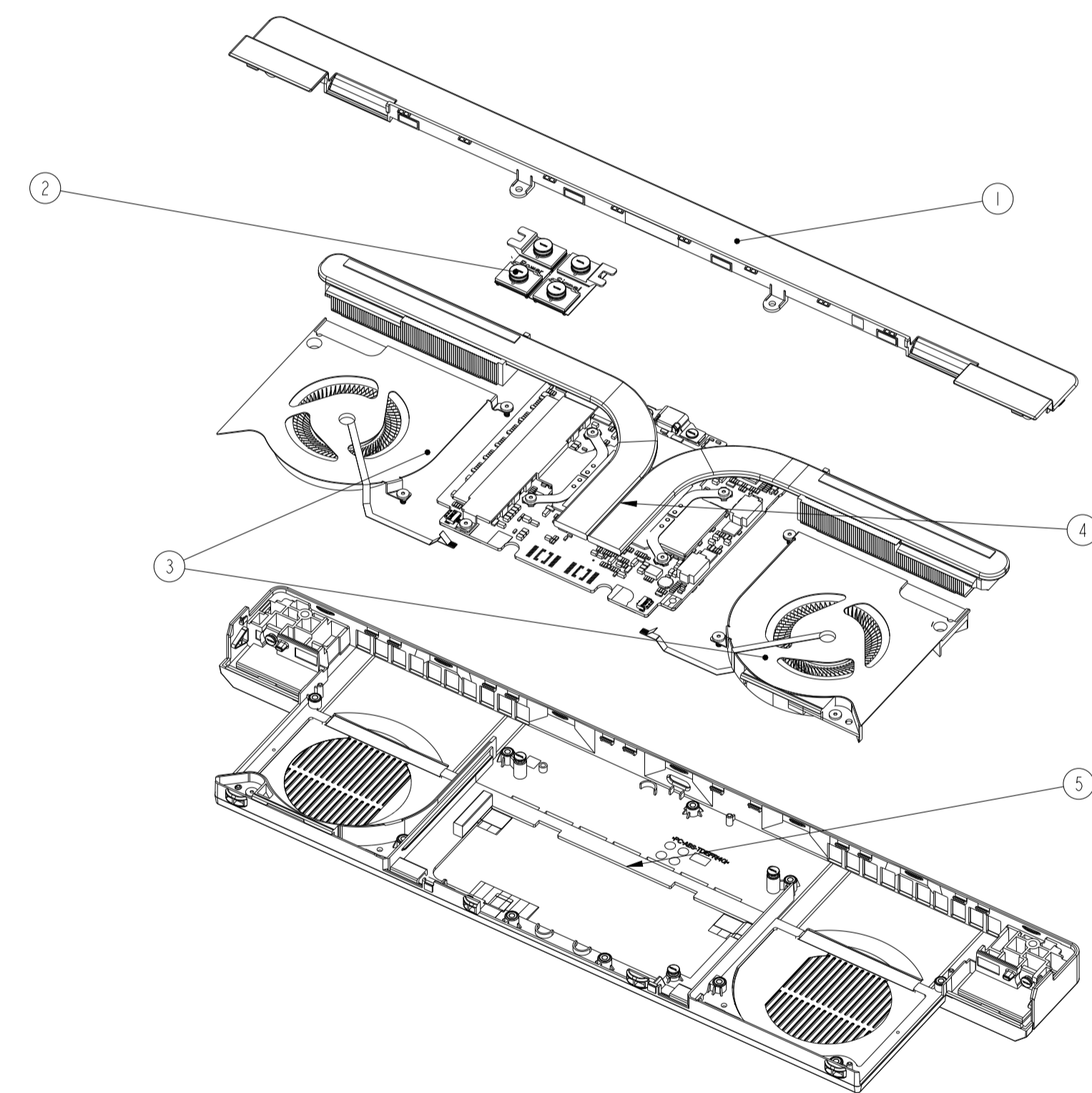
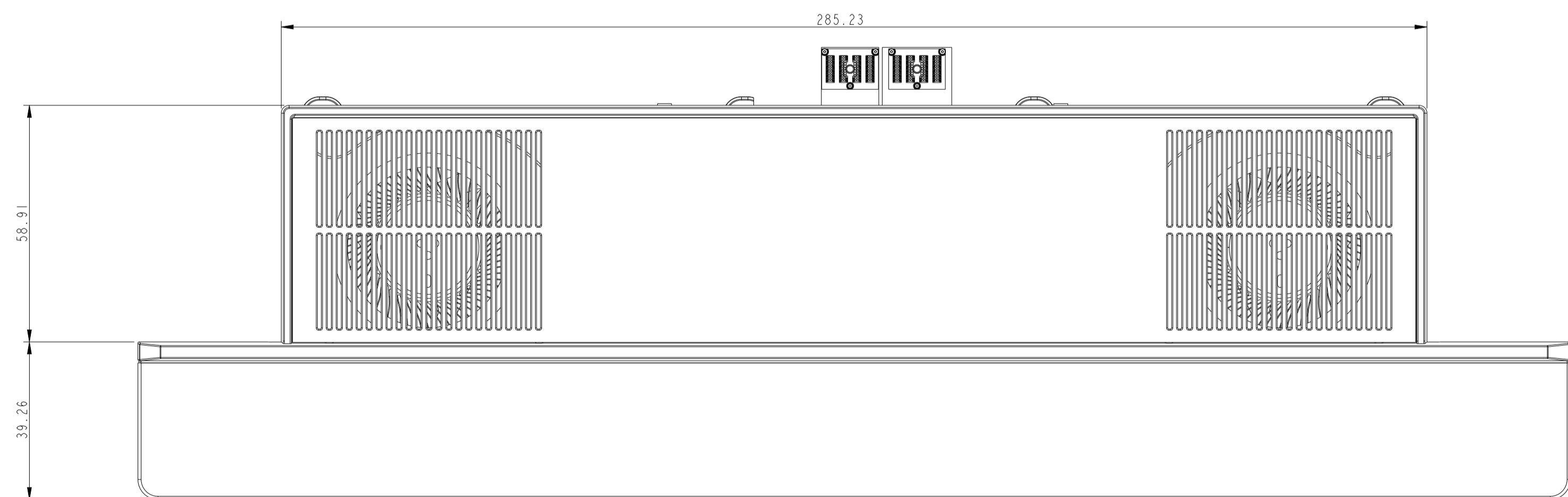
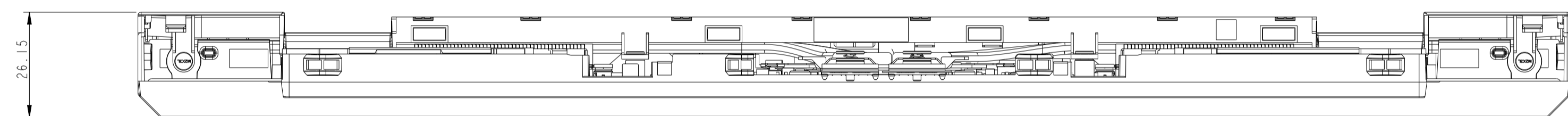
REV	DESCRIPTION OF CHANGE	REV BY	DATE



SCALE 1.000



SCALE 0.500



SCALE 0.500

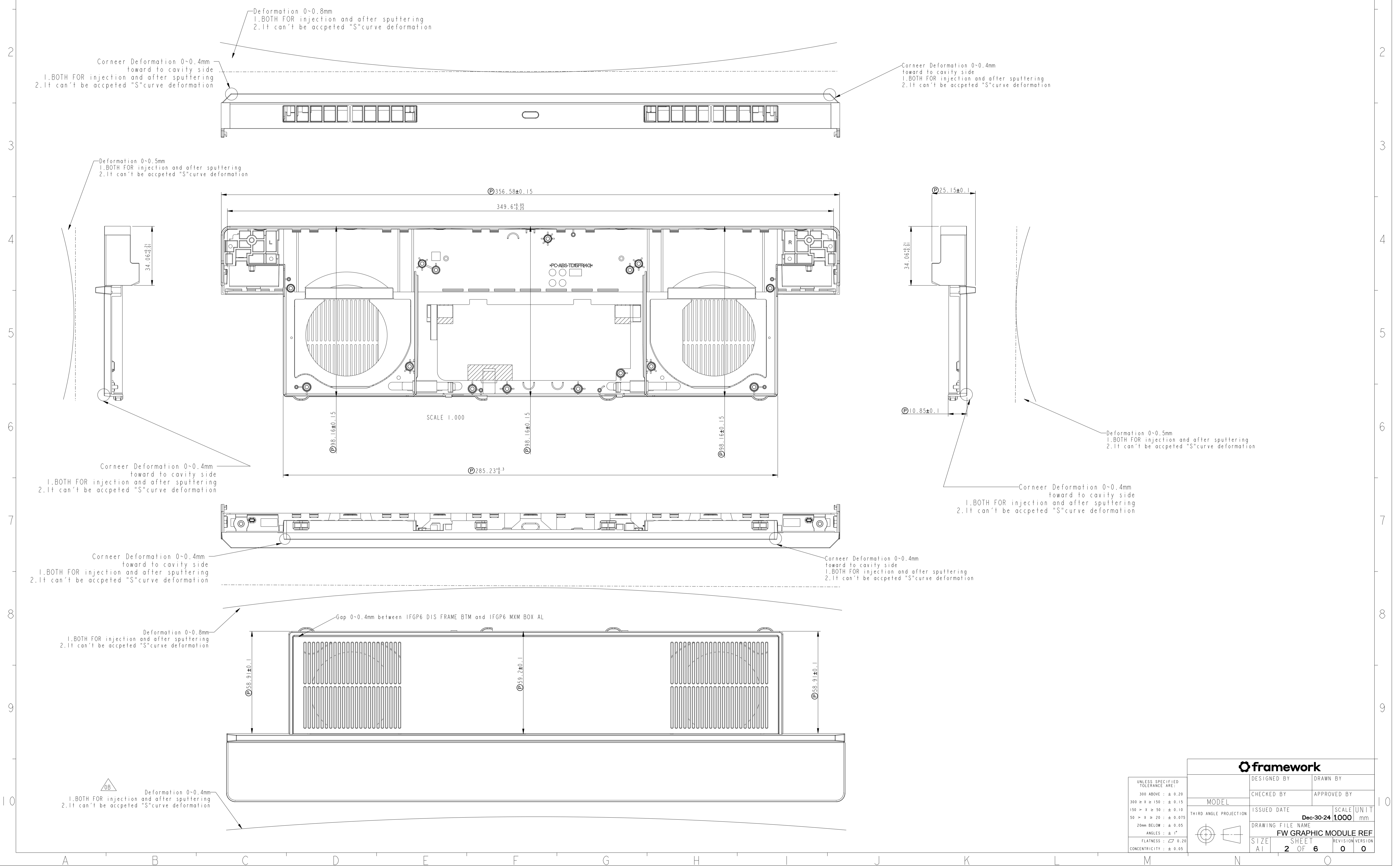
Item	Description	Q'ty	Remark
1	GRAPHIC MODULE TOP COVER ASM	1	
2	74P FBEAM	2	
3	GRAPHIC MODULE FANS	1	
4	GRAPHIC MODULE BOARD	1	
5	GRAPHIC MODULE BOTTOM FRAME ASM	1	

framework

UNLESS SPECIFIED TOLERANCE ARE: 300 ABOVE : ± 0.20 300 ≥ X ≥ 150 : ± 0.15 150 > X ≥ 50 : ± 0.10 50 > X ≥ 20 : ± 0.075 20mm BELOW : ± 0.05 ANGLES : ± 1° FLATNESS : 0.20 CONCENTRICITY : ± 0.05	DESIGNED BY	DRAWN BY
	CHECKED BY	APPROVED BY
MODEL	ISSUED DATE	SCALE UNIT
THIRD ANGLE PROJECTION	Dec-30-24	1:000 mm
DRAWING FILE NAME	FW GRAPHIC MODULE REF	
SIZE	SHEET	REVISION VERSION
A1	1 OF 6	0 0

BOTTOM FRAME SUB ASM DIMENSION

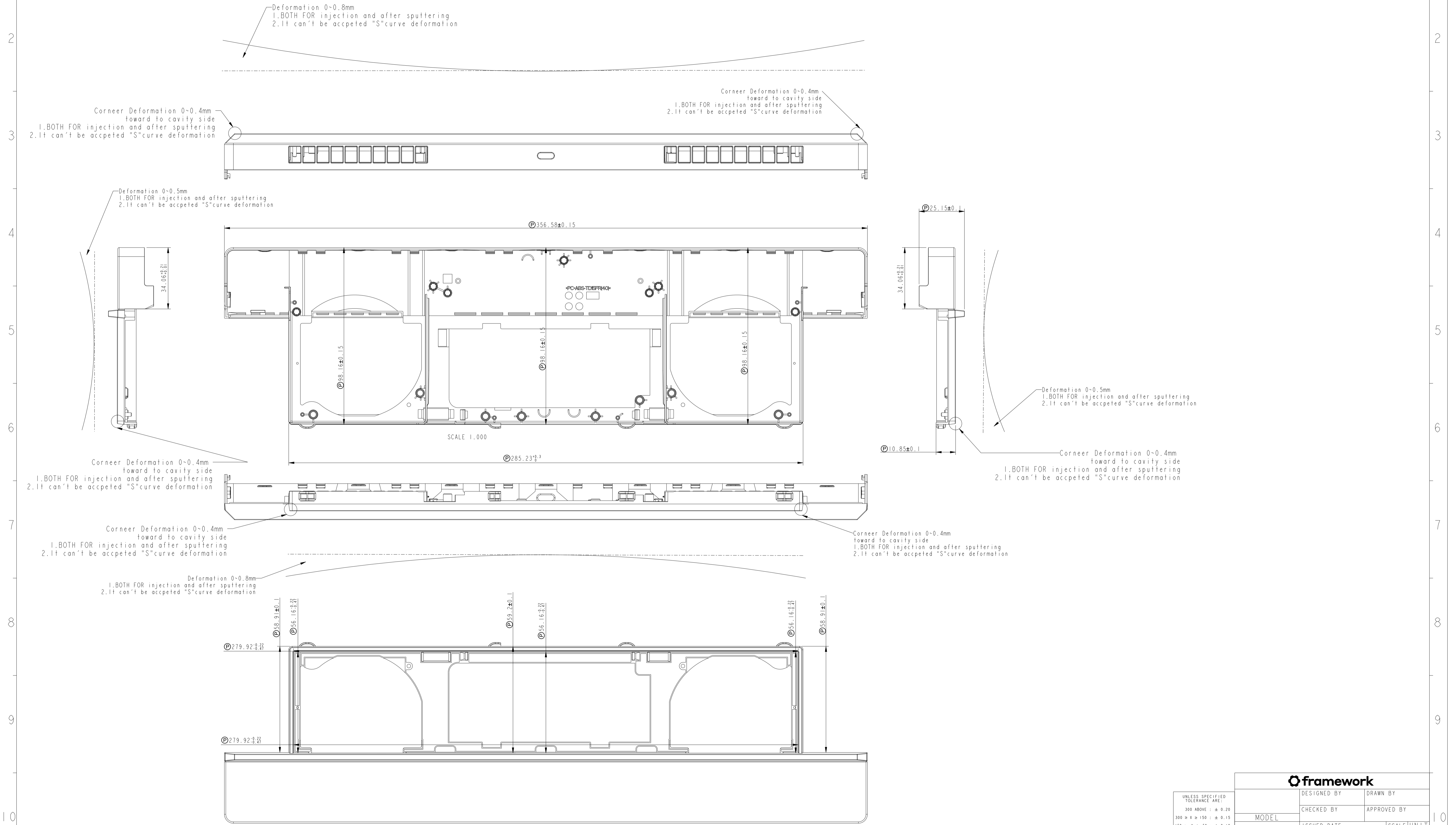
REV	DESCRIPTION OF CHANGE	REV BY	DATE



UNLESS SPECIFIED TOLERANCE ARE: 300 ABOVE : ± 0.20 300 > X ≥ 150 : ± 0.15 150 > X ≥ 50 : ± 0.10 50 > X ≥ 20 : ± 0.075 20mm BELOW : ± 0.05 ANGLES : $\pm 1'$ FLATNESS : $\nabla 0.20$ CONCENTRICITY : ± 0.05	framework	
	DESIGNED BY	DRAWN BY
	CHECKED BY	APPROVED BY
	ISSUED DATE	SCALE UNIT
MODEL	Dec-30-24 1:000 mm	
DRAWING FILE NAME	FW GRAPHIC MODULE REF	
SIZE	SHEET	REVISION VERSION
A1	2 OF 6	0 0

BOTTOM FRAME DIMENSION

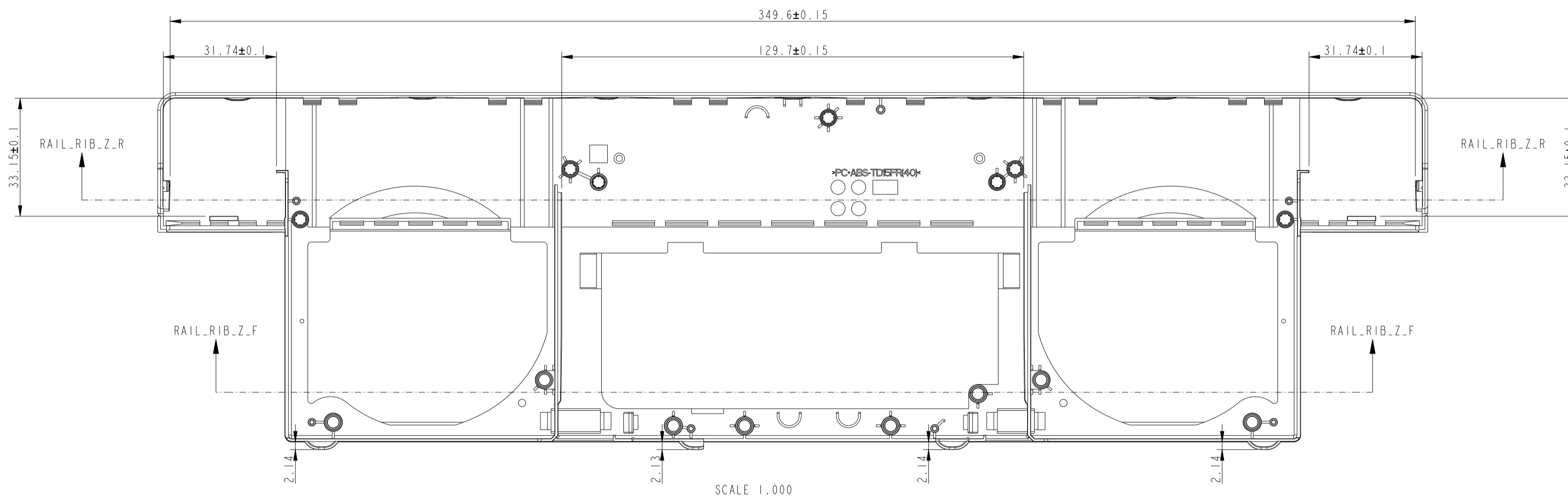
REV	DESCRIPTION OF CHANGE	REV BY	DATE



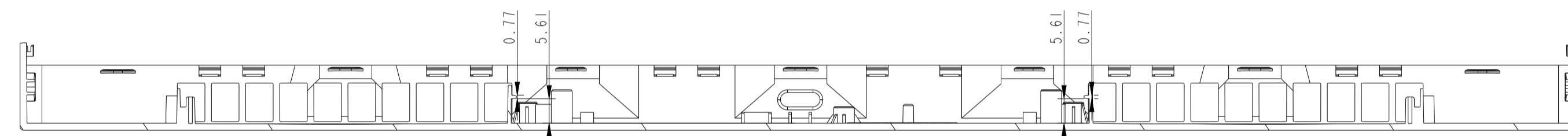
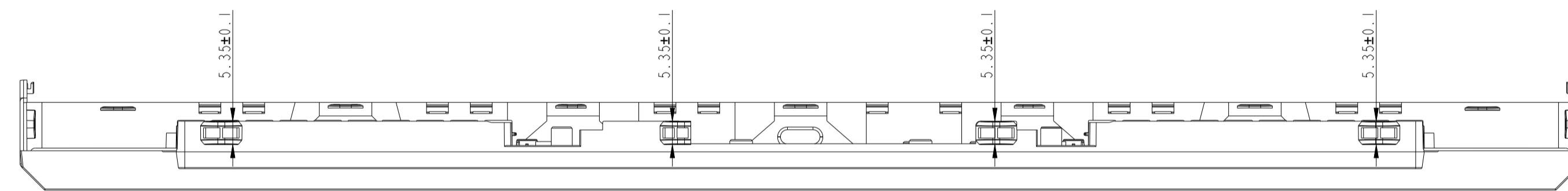
UNLESS SPECIFIED TOLERANCE ARE: 300 ABOVE : ± 0.20 300 > X ≥ 150 : ± 0.15 150 > X ≥ 50 : ± 0.10 50 > X ≥ 20 : ± 0.075 20mm BELOW : ± 0.05 ANGLES : ± 1° FLATNESS : 0.20 CONCENTRICITY : ± 0.05	framework	
	DESIGNED BY	DRAWN BY
	CHECKED BY	APPROVED BY
	ISSUED DATE	SCALE UNIT
MODEL	Dec-30-24	1:1000 mm
THIRD ANGLE PROJECTION	DRAWING FILE NAME	
	FW GRAPHIC MODULE REF	
SIZE	SHEET	REVISION VERSION
A1	3 OF 6	0 0

BOTTOM FRAME DIMENSION

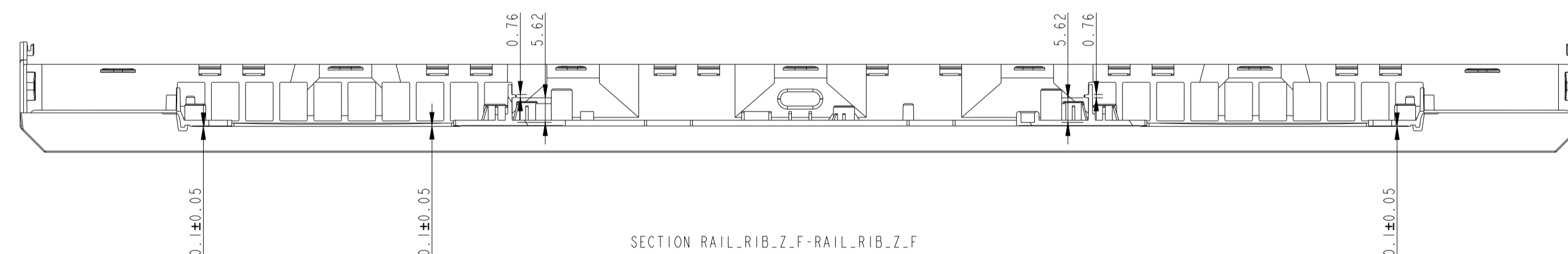
REV	DESCRIPTION OF CHANGE	REV BY	DATE



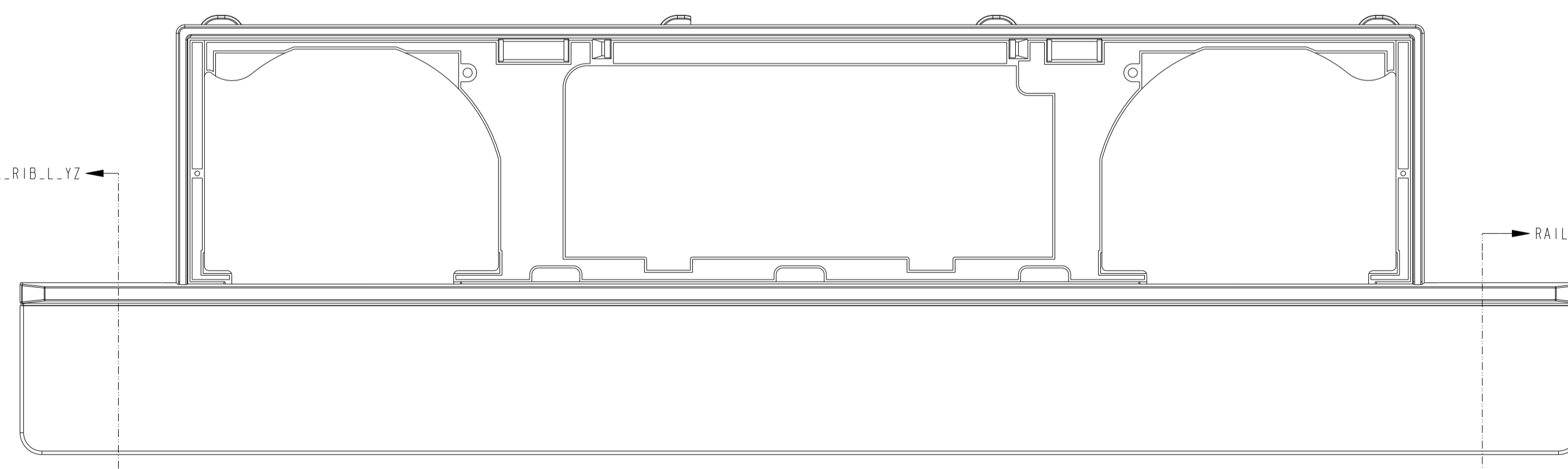
SCALE 1.000



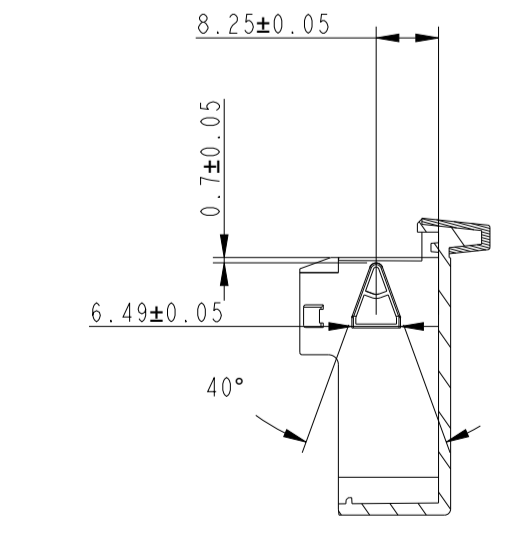
SECTION RAIL_RIB_Z_R-RAIL_RIB_Z_R



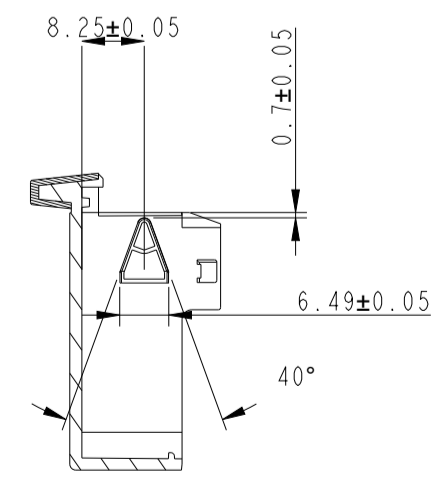
SECTION RAIL_RIB_Z_F-RAIL_RIB_Z_F



SCALE 1.000



SECTION RAIL_RIB_R_YZ-RAIL_RIB_R_YZ

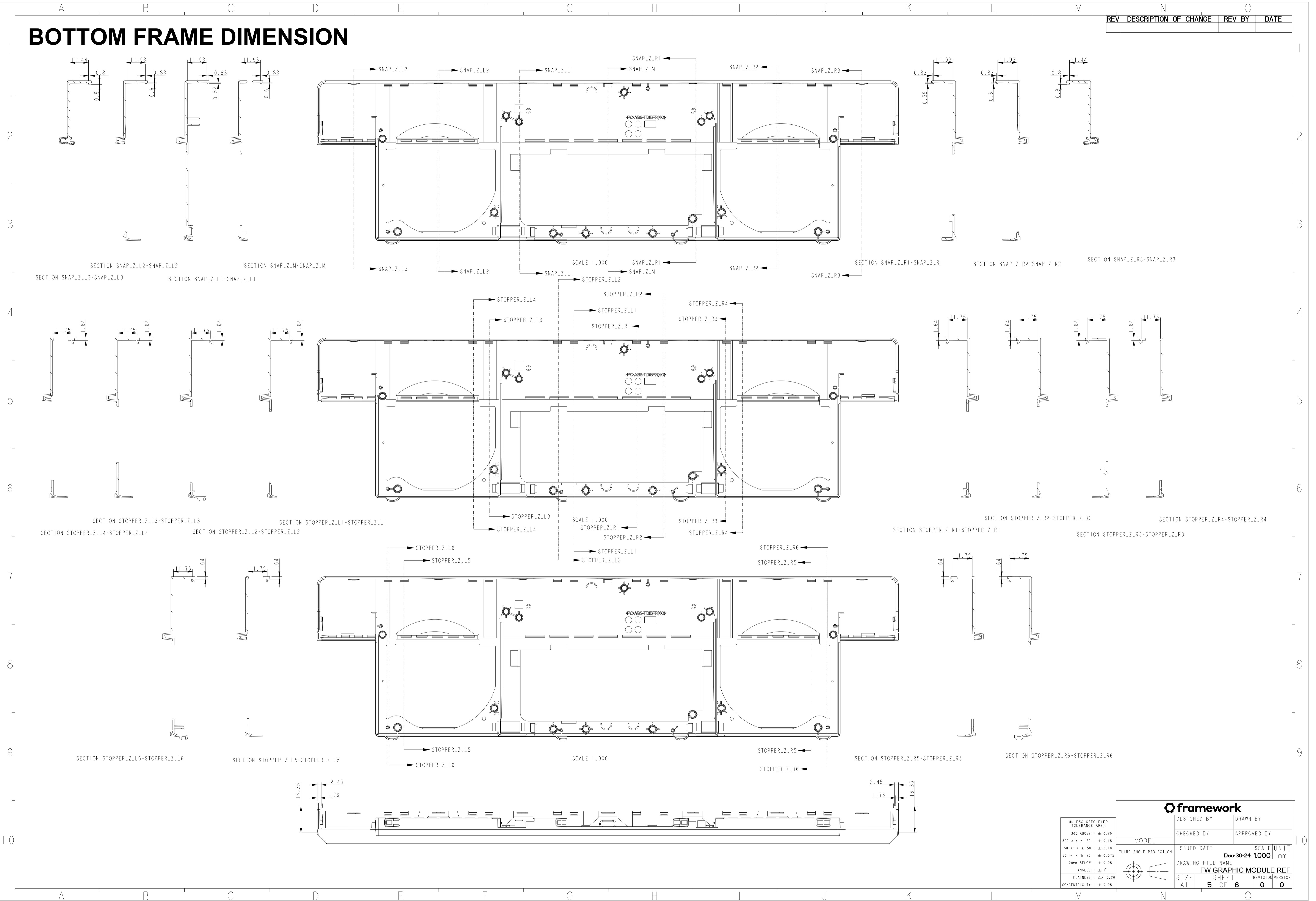


SECTION RAIL_RIB_L_YZ-RAIL_RIB_L_YZ

<p>UNLESS SPECIFIED TOLERANCE ARE:</p> <p>300 ABOVE : ± 0.20</p> <p>300 > X ≥ 150 : ± 0.15</p> <p>150 > X ≥ 50 : ± 0.10</p> <p>50 > X ≥ 20 : ± 0.075</p> <p>20mm BELOW : ± 0.05</p> <p>ANGLES : ± 1°</p> <p>FLATNESS : 0.20</p> <p>CONCENTRICITY : ± 0.05</p>	framework	
	DESIGNED BY	DRAWN BY
	CHECKED BY	APPROVED BY
	ISSUED DATE	SCALE UNIT
MODEL	Dec-30-24	1:1000 mm
THIRD ANGLE PROJECTION	DRAWING FILE NAME	
	FW GRAPHIC MODULE REF	
	SIZE	SHEET
	A1	4 OF 6
		REVISION VERSION
		0 0

BOTTOM FRAME DIMENSION

REV	DESCRIPTION OF CHANGE	REV BY	DATE



UNLESS SPECIFIED TOLERANCE ARE:

300 ABOVE	: ± 0.20
300 > X ≥ 150	: ± 0.15
150 > X ≥ 50	: ± 0.10
50 > X ≥ 20	: ± 0.075
20mm BELOW	: ± 0.05
ANGLES	: ± 1°
FLATNESS	: 0.20
CONCENTRICITY	: ± 0.05

framework	
DESIGNED BY	DRAWN BY
CHECKED BY	APPROVED BY
ISSUED DATE	SCALE UNIT
Dec-30-24	1:1000 mm
DRAWING FILE NAME	
FW GRAPHIC MODULE REF	
SIZE	SHEET
A1	5 OF 6
REVISION	VERSION
0	0

