



FLL 12-150

PHYSICAL SPECIFICATION

Nominal Voltage		12V
Nominal Capacity (20Hr)		150Ah
Dimension	Length	485 ±2mm
	Width	172 ±2mm
	Container Height	240 ±2mm
	Total Height	240 ±2mm
Drawing 4-0		Weight 45,5 Kg ± 5%
Standard Terminal		Bolt Type: M8

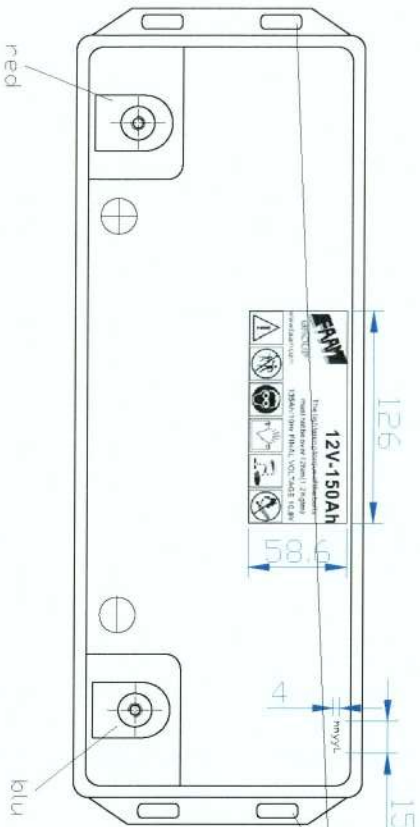
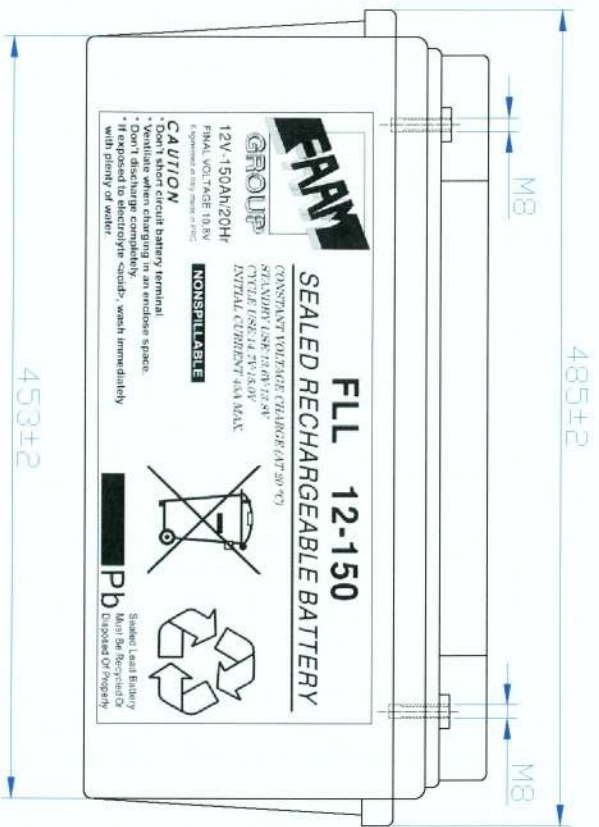
--	--

ELECTRICAL SPECIFICATION

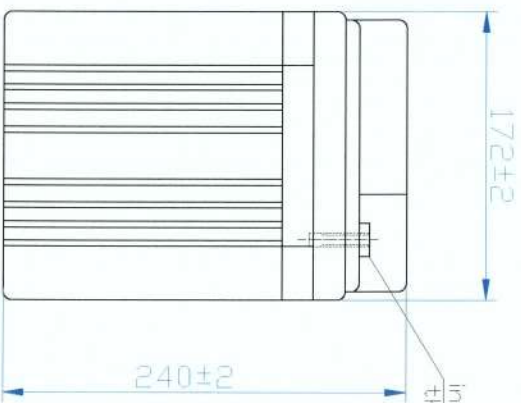
Characteristics			Discharge curves @ 25°C (77 °F)			
Capacity	20 hour rate	150,00Ah				
	10 hour rate	135,00Ah				
	5 hour rate	116,70Ah				
	3 hour rate	103,95Ah				
	1 hour rate	82,87Ah				
Capacity affected by temperature	40°C	102%				
	20°C	100%				
	0°C	85%				
Internal Resistance 3,8 mΩ ±10%		SCC 3200 A ±10%				
Constant Voltage Charge	Cycle	Initial Charging Current less than 45 A Voltage 14,70~15,00V at 20°C Temperature Coefficient -30 mV/°C				
	Stand by	No limit on Initial Charging Current Voltage 13,60~13,80V at 20°C Temperature Coefficient -20 mV/°C				

Constant Current(Amp) and Constant Power (Watt/Cell) Discharge Table at 25°C

Time		5min	15min	30min	60min	90min	120min	180min	300min	480min	600min
9.9V	A	507,94	274,05	150,87	82,45	67,98	57,46	34,72	23,82	16,42	14,18
	W	828,18	462,12	296,36	195,30	142,57	110,78	80,55	56,20	37,99	31,35
10.2V	A	503,21	271,22	146,36	82,38	55,82	47,18	34,65	23,72	16,35	13,97
	W	770,40	452,90	283,22	185,40	135,34	110,25	80,17	55,38	37,44	30,99
10.8V	A	472,50	236,25	139,05	80,46	54,51	46,08	34,26	23,34	16,09	13,50
	W	642,00	400,80	268,20	180,00	131,40	105,00	76,35	53,25	36,00	30,00



attacchi per maniglie di sollevamento/
fits for lifting handles



Inserto filettato M8/
threaded insert M8

colour of box and lid: green
colour of silk-screen: white

date of
production:
mmyL
|
| site of production
year of production
month of production

REV.	DATA DATE	PROJEKTIVNA/REVIZIJE	DISSEGNATO/DESIGN	APPROVATO/APPVEDIC	REGISTRARE/REGISTRATION/REGISTRATION
		INDICAZIONI GENERALI/GENERAL INDICATION	MATERIALE/MATERIAL	R. G. M. M. S.	DIRIGENTE/MANAGER
		GRADO DI PRECISIONE/GRADINE OF ACCURACY	ABS F70 Pb/Ca		R. PARENTI
		NOMINA UNI 5907/STANDARD UNI 5907	BATTERIE STAZIONARIE/STATIONARY BATTERY		S. BALDASSARRI
		200110002 L/3/3/3/3/3/3	INSTRUMENTO M.M./DIMENSIONE IN	NUM. FILETTATO/NO. OF THREADS IN	OPERAZIONE/OPERATION
				4 00199.dwg	F. PAGLIARINI
SCALE/SCALE		TITOLO/TITLE	COMPLETTORE	TEMP./TIME	VERIFICARE/VERIFY
1:3		A3	FLL 12-150	Series VRLA AGM	CARICA/CHARGE
					01.12.2006
					DATA DATE
					01.12.2006
					DATA DATE
					01.12.2006
					DATA DATE
					01.12.2006

FAAM S.P.A. Via Montu.11 63026 Monterubbiano (AP) ITALY
Tel. ++39/07342581 Fax: ++39/0734258229 www.faam.com

Questo disegno è di proprietà della FAAM e non può essere riprodotto o reso noto senza autorizzazione scritta.
This drawing is a proprietary and shall not be reproduced or released to otherwise authorized by FAAM.



FLL 12-150

SEALED RECHARGEABLE BATTERY

CONSTANT VOLTAGE CHARGE (AT 30°C)

STANDBY USE: 13.6V-13.8V

CYCLE USE: 14.7V-15.0V

INITIAL CURRENT 45A MAX

12V-150Ah/20Hr

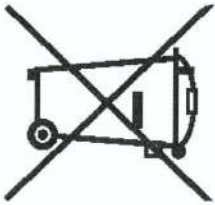
FINAL VOLTAGE 10.8V

Engineered In Italy made in PRC

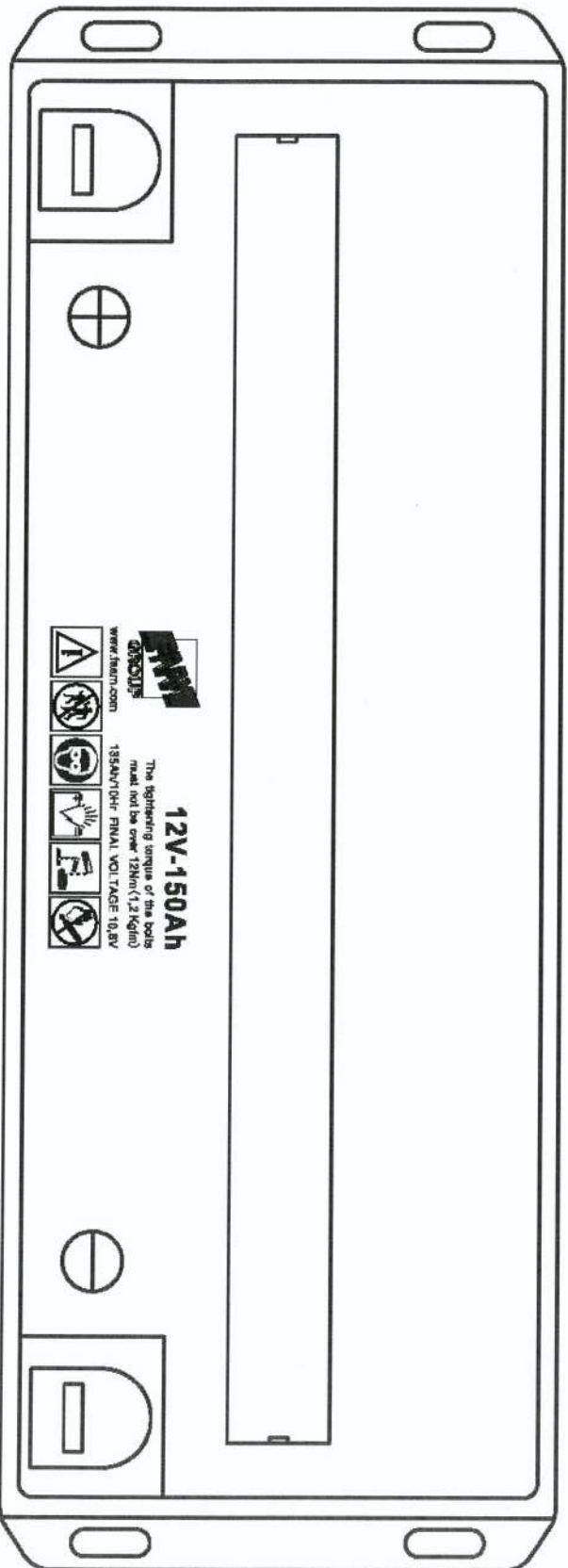
NONSPILLABLE

CAUTION

- * Don't short circuit battery terminal.
- * Ventilate when charging in an enclosed space.
- * Don't discharge completely.
- * If exposed to electrolyte <acid>, wash immediately with plenty of water.



Pb
Sealed Lead Battery
Must Be Recycled Or
Disposed Of Properly



FAMM GROUP
www.famm.com
135Ah/10Hr FINAL VOLTAGE 10.8V

12V-150Ah

The tightening torque of the bolts must not be over 12Nm (1.2 kgm)