

HZB12-200 Valve Regulated Lead Acid battery.  
12 year design life for stand by power applications.  
12 Volts 200 Ah

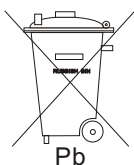
### Innovative Features

- Completely maintenance free, sealed construction eliminates the need for watering
- Fully tank formed plates
- Analytical Grade electrolyte
- Spill proof / leak proof
- Valve regulated Max internal pressure 2.5 psi
- Multi-position usage
- ABS Case and cover - VO on request
- Low self discharge
- FAA and IATA approved as non-hazardous
- Built to comply with IEC 896-2, DIN 43534, BS 6290 Pt4, Eurobat.



### Specifications

Nominal Voltage	12 Volts
Nominal Capacity	200Ah (C20 @ 20 °C)
Design Life	12 Years
Operating Temperature	-20 °C to 50 °C
Grid alloy	Calcium / Tin lead alloy
Plates	Flat Pasted
Separator	Absorbant Glass Mat
Active material	Very high purity lead
Case and cover	ABS (VO on request)
Charge Voltage	Float 2.25 - 2.30 VPC @25 °C Cycling 2.35 @25 °C Max. 2.4 VPC Max ripple 0.05C (A)
Electrolyte	Sulphuric acid Analytical grade purity
Venting Valve	EPDM Rubber 1.5 to 2 psi (10.5 - 14 KPa) release pressure. Resealing at 1 psi (7 KPa)
Terminal	Insert 12mm Dia M5 thread. Epoxy sealed by extended mechanical paths
Torque setting	The recommended torque value for all types is 5-7 Nm
Cables	Connectors, cables, terminal covers on request.



Haze Battery Company keenly encourages environmental awareness; PLEASE follow guidelines for the recycling /disposal of lead.

Website: [www.hazebattery.com](http://www.hazebattery.com)  
E mail : [sales@hazebattery.com](mailto:sales@hazebattery.com)

Sealed Lead Acid 12 Volt Bloc AGM Range  
PRODUCT SHEET HZB12-200

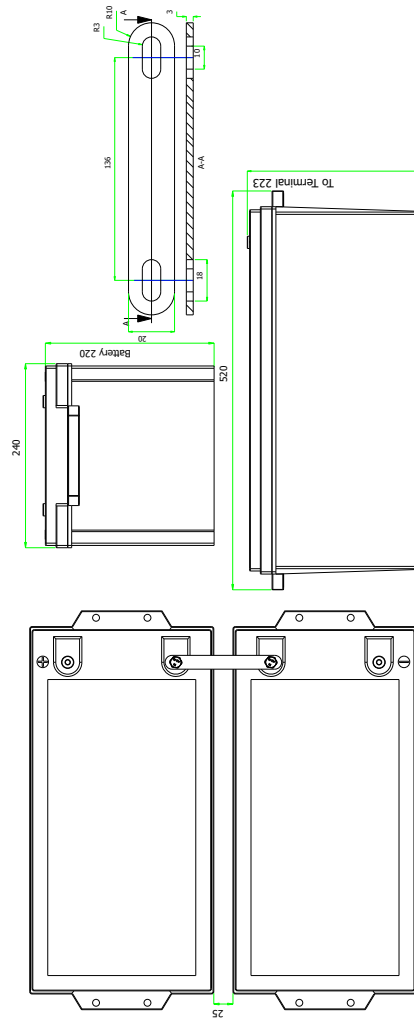
12V  
AGM

## Specifications

Nominal Voltage		12V	
Nominal Capacity		200 Ah	
Dimensions	Total Height (Inc. terminals)	220 mm	8.66 inches
	Length	n/a mm	n/a inches
	Width	520 mm	20.47 inches
	Weight	240 mm	9.45 inches
		66 Kg	145.86 lbs

## Characteristics

Capacity 20 °C (68 °F) To 1.7 volts	20 hour rate	199.2 Ah
	10 hour rate	177.8 Ah
	5 hour rate	160.6 Ah
	1 hour rate	139.5 Ah
	15 min rate	78.7 Ah
	Internal Resistance	<2
Impedance		S
Capacity correction for Temperature Variations (C20)	40 °C (104 °F)	102%
	20 °C (68 °F)	100%
	0 °C (32 °F)	85%
	-15 °C (5 °F)	65%
Self-Discharge 20 °C (68 °F)	Capacity after 1 months storage	98%
	Capacity after 3 months storage	94%
	Capacity after 6 months storage	86%
Short Circuit Current 20 °C (68 °F)	5400	
Terminal	Standard	14mm Insert M6 thread
	Optional	Cu/Lead Flag - J Type - Auto
Charging (Constant Voltage)	Cyclic	2.35 - 2.40 VPC (20-25 °C)
	Float	2.27 - 2.30 VPC (15-25 °C)



## Constant Power Discharge - Watts per Cell @20 °C

End V per Cell	5M	10M	15M	20M	25M	30M	35M	40M	45M	60M	90M	2 hr	3 hr	4 hr
1.85	606	530	461	409	369	343	318	296	275	229	165	130	91.9	72.0
1.80	749	616	511	458	407	374	346	324	302	255	180	139	96.7	75.4
1.75	805	667	561	494	440	396	364	336	314	262	181	140	97.0	75.6
1.70	826	683	572	510	456	408	369	340	316	264	183	141	98.2	75.9
1.65	848	700	596	525	464	410	372	342	322	268	187	143	98.9	-
1.60	893	719	603	534	472	416	377	348	327	272	191	146	99.4	-

## Constant Amps Discharge - Amps @20 °C

End V per Cell	5M	10M	15M	20M	25M	30M	35M	40M	45M	60M	90M	2 hr	3 hr	4 hr	5 hr	8 hr	10 hr	12 hr	20 hr
1.85	325	284	246	217	196	181	168	156	144	119	85.6	67.0	47.1	36.7	30.0	20.0	16.6	14.2	9.3
1.80	408	335	277	246	218	200	184	172	159	134	93.9	72.0	49.8	38.7	31.2	20.7	17.2	14.7	9.6
1.75	444	366	306	268	237	213	194	179	167	138	94.7	72.8	50.2	38.9	31.6	20.8	17.3	14.8	9.7
1.70	460	378	315	279	248	221	198	182	168	140	96.3	73.7	50.9	39.2	32.1	21.3	17.8	15.2	10.0
1.65	474	389	329	288	253	222	201	183	172	142	98.4	74.9	51.3	-	-	-	-	-	-
1.60	501	401	333	293	258	226	204	187	175	144	100	76.3	51.7	-	-	-	-	-	-

## Ampere Hour @20 °C

End V per Cell	2 hr	3 hr	4 hr	5 hr	8 hr	10 hr	12 hr	20 hr
1.85	134	141	147	150	160	166	170	186
1.80	144	149	155	156	165	172	177	193
1.75	146	151	156	158	167	173	177	193
1.70	147	153	157	161	170	178	183	199
1.65	150	154	-	-	-	-	-	-
1.60	153	155	-	-	-	-	-	-



UL Recognised  
Component  
MH28512

