

DC SERIES

DC (Deep cycle) Series batteries are designed for deep discharge application, with special chemical formula for plates active paste material, slightly stronger electrolyte and low temperature design, which can withstand repeated deep cyclic application, such as Solar Energy System, Golf Trolley, Electric

Application

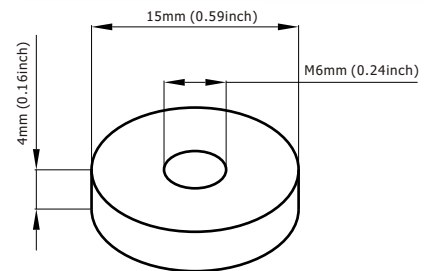
- Solar Energy System
- Golf Cars and Buggies
- Electric Powered Vehicles
- Wheel Chairs
- Power Tools
- Electric Powered Toys
- Control System
- Vacuum Cleaners
- Medical Equipments
- UPS

General Features

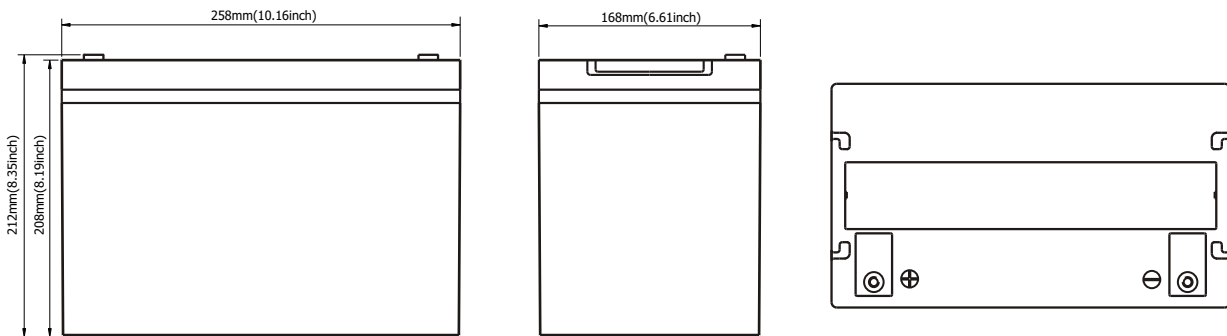
- Sealed and maintenance free operation.
- Non-Spillable construction design.
- ABS containers and covers(UL94HB, UL94V-0) optional.
- Safety valve installation for explosion proof.
- High quality and high reliability.
- Exceptional deep discharge recovery performance.
- Low self discharge characteristic.
- Flexibility design for multiple install positions.

Construction

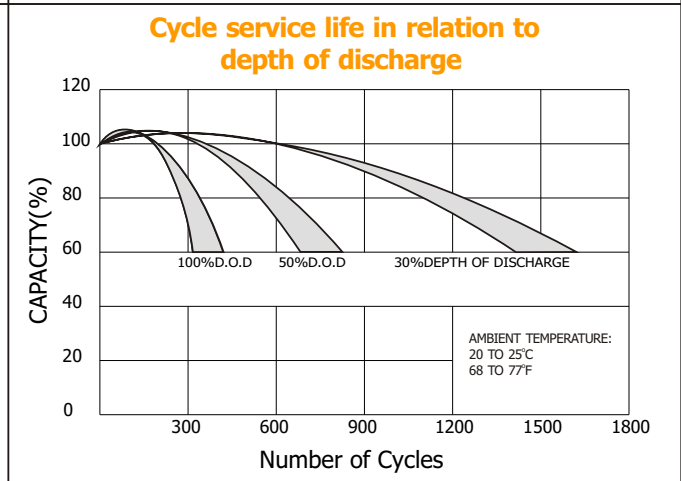
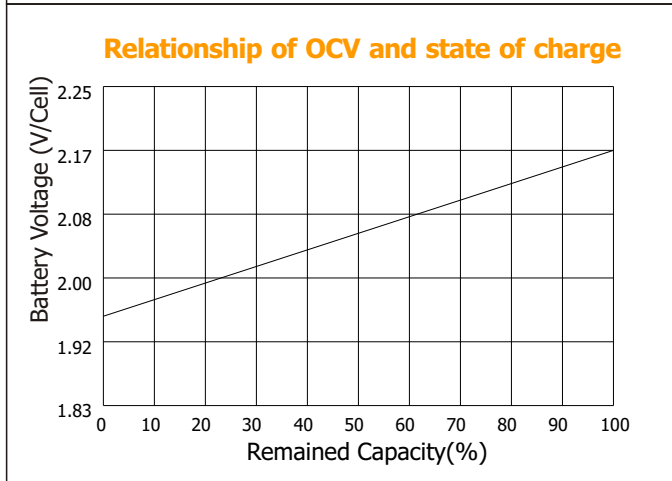
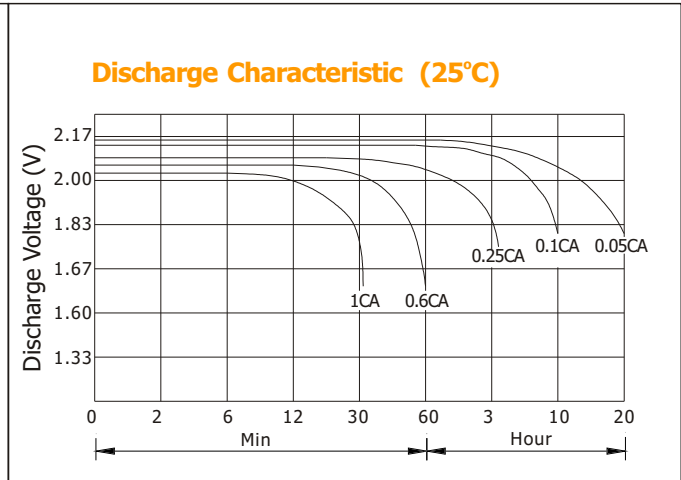
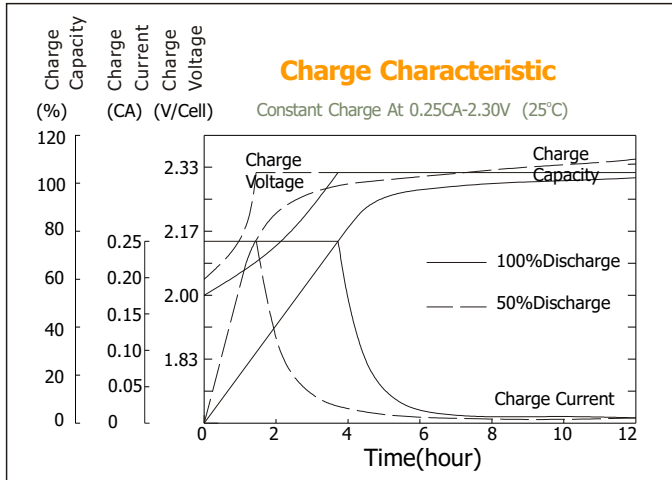
- ComponentRaw material
- PositiveLead dioxide
- NegativeLead
- ContainerABS
- CoverABS
- SealantEpoxy Resin
- Safety valveEPDR
- TerminalCopper
- SeparatorFibre glass
- ElectrolyteSulfuric acid



Terminal Dimensions



Battery Model	LDC 12-80			
Designed Cycle Life	> 350 cycles @ -0.5CA to 9.6V			
Capacity(25°C)	20HR(4.1A,1.75V)	10HR(8A,1.75V)	5HR(13.5A,1.75V)	1HR(48A,1.75V)
	82AH	80AH	67.5AH	48AH
Dimensions	Length	Width	Height	Total Height
	258mm(10.16inch)	168mm(6.61inch)	208mm(8.19inch)	212mm(8.35inch)
Approx. Weight	27Kg (59.54 lbs)			
Internal Resistance	Full charged at 25°C: 0.006 Ohm			
Self Discharge	3% of capacity declined per month at (25°C)			
Capacity Affected by Temp.(20HR)	40°C	25°C	0°C	-15°C
	102%	100%	85%	65%
Charge Voltage(25°C)	Cycle use		Float use	
	14.4-15V(-30mV/ °C), max. Current: 20A		13.6-13.8V(-20mV/ °C)	



Constant current discharge ratings-amperes at 25°C

F.V/Time	5MIN	10MIN	15MIN	30MIN	1HR	3HR	5HR	10HR	20HR
1.60V	280	192	140	84.0	52.8	21.8	15.3	8.48	4.22
1.67V	252	175	136	81.6	52.7	21.8	15.1	8.36	4.20
1.70V	239	169	131	80.0	52.6	21.8	15.1	8.29	4.20
1.75V	213	156	124	78.4	52.0	21.6	15.0	8.15	4.18
1.80V	192	145	118	76.0	51.4	21.5	14.9	8.01	4.03
1.85V	146	119	102	69.9	50.8	21.4	14.8	7.87	3.79

Constant power discharge ratings-watts at 25°C

F.V/Time	5MIN	10MIN	15MIN	30MIN	1HR	3HR	5HR	10HR	20HR
1.60V	462	318	248	158	104	41.9	29.2	17.0	8.43
1.67V	438	314	246	155	101	41.9	29.2	16.7	8.40
1.70V	409	306	242	151	97.9	41.9	29.2	16.6	8.40
1.75V	381	286	227	147	97.0	41.3	28.9	16.3	8.36
1.80V	342	266	214	143	95.4	40.7	28.4	16.0	8.07
1.85V	274	221	186	131	94.5	40.6	28.0	15.7	7.58