

# PWM Solar Charge Controller

## LandStar EPD series



LS-EPD series solar charge controller adopts the most advanced digital technique and operates fully automatically. It is ideal for extreme environments with corrosion, dust, moisture etc., and has various functions.



### Model overview :

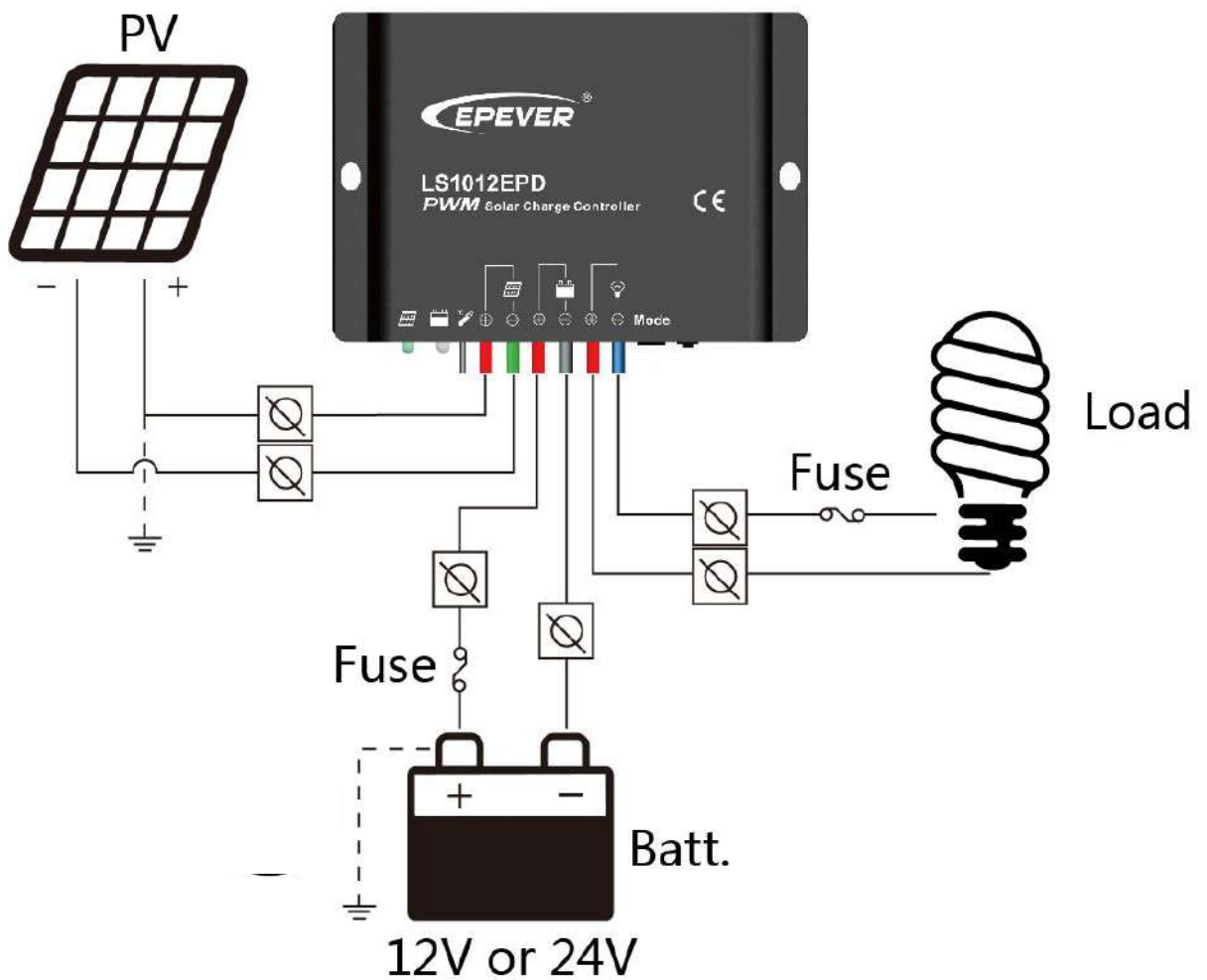
- LS1012EPD 10A, 12V
- LS1024EPD 10A, 12/24V Auto work
- LS2024EPD 20A ,12/24V Auto work

### Features :

- High efficient PWM charging
- Widely used, automatically recognize day/night
- LED indicators for PV and battery status
- Industrial design, wide application range
- Digital tube menu, only one key solve all settings simply
- Intelligent timer function with 1~13 hours option
- IP67 protection

### Electronic protections:

- PV reverse polarity protection
- Battery over discharge protection
- Battery reverse polarity protection
- Load short circuit protection
- Battery overcharge protection
- Battery overheating protection
- Load overload protection



## Technical specifications:

Type	LS1012EPD	LS1024EPD	LS2024EPD
Nominal system voltage	12V	12/24V auto	12/24V Auto
Max. PV input voltage	30V	50V	50V
Rated current	10A	10A	20A
Equalize charging voltage*	14.8V(12V);29.6V(24V)		
Boost charging voltage*	14.4V(12V);28.8V(24V)		
Float charging voltage*	13.7V(12V);27.4V(24V)		
Low voltage reconnect voltage*	12.6V(12V);25.2V(24V)		
Low voltage disconnect voltage*	11.1 V(12V);22.2V(24V)		
Self-consumption	12V: ≤4.58mA; 24V: ≤6.01mA		
Temperature compensation coefficient	-5mV/°C/2V (25°C)		
Working temperature	-35°C~+55°C		
Enclosure	IP67		
Overall dimension	108.5mm×75mm×25.6mm		
Mounting dimension	100.5mm		
Mounting hole size	Φ5		
Power cable	4.0mm <sup>2</sup>		6.0mm <sup>2</sup>
Net weight	408g	410g	435g

\* Technical data for 12V system at 25 °C



BEIJING EPSOLAR TECHNOLOGY CO.,LTD.  
 Add: BLDG #18, CO.PARK ,NO.8 HEYING  
 ROAD,CHANGPING DISTRICT,BEIJING,CHINA  
 Tel: 010-82894962 / 82894112  
 Fax: 010-82894882  
 E-mail: info@epsolarpv.com