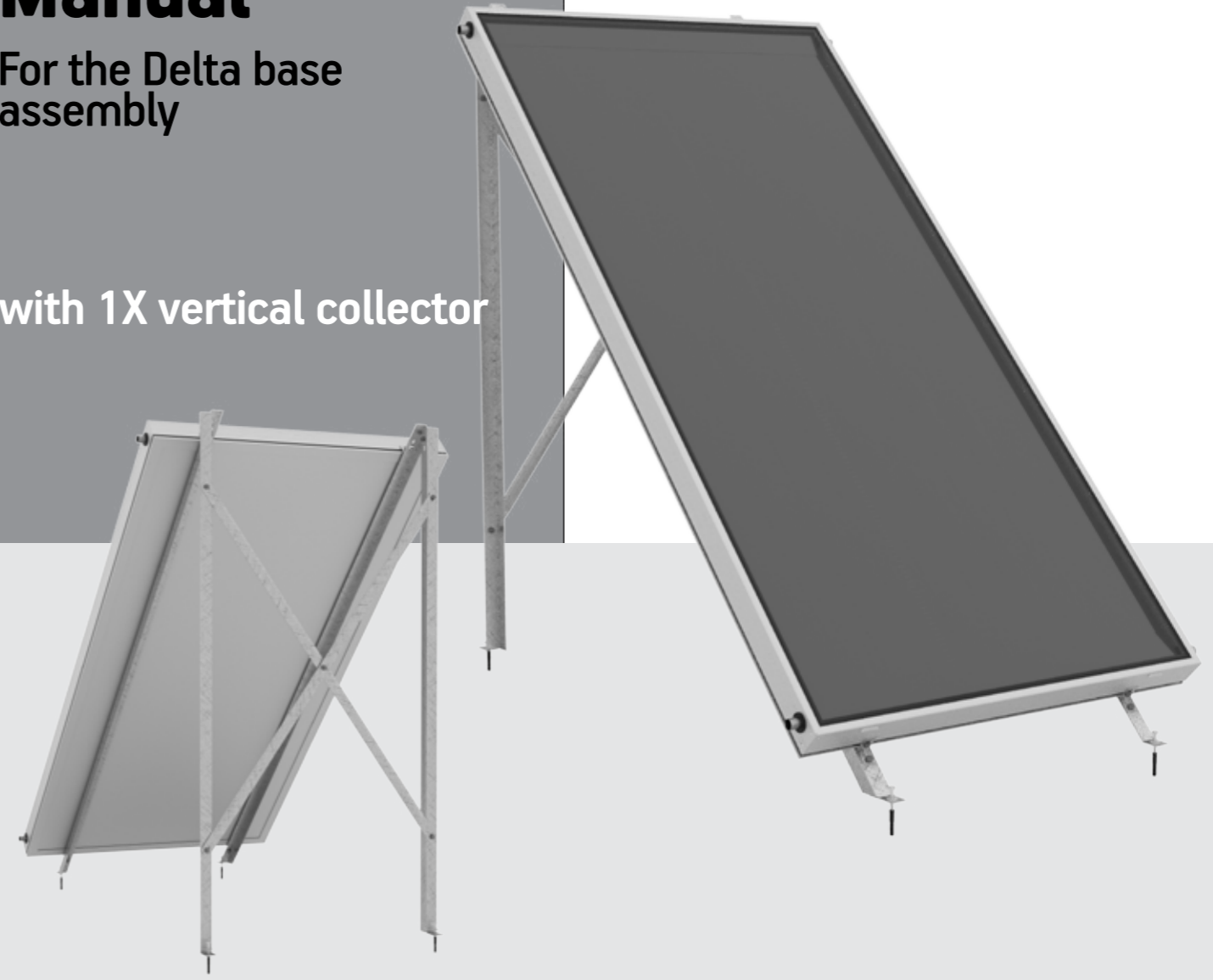



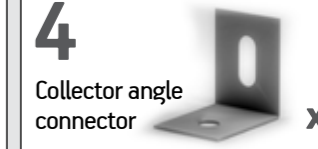






Technical Manual

For the Delta base assembly

with 1X vertical collector



- | | | | |
|---|--|---|--|
| 1

Front mounting structure x2 | 2

Back mounting structure x1 | 3

Mounting X x2 | 4

Collector angle connector x4 |
| 5

Steel screw M8x12 x15 | 6

Steel Nut M8 x11 | 7

Hanger bolts x4 | 8

Plastic expansion D10 x4 |

1 Step

2x1
2x2

2x2
2x1

! This Step X2

! example
2x6
2 items from object 6

2 Step

940mm

3 Step

1x5
1x6
2x3

4 Step

5 Step

4x5
4x6

6 Step

7 Step

2x5
2x6
2x4

8 Step

2x5
2x6
2x4

9 Step

UP

10 Step

11 Step

2x5

12 Step

2x5

13 Step

! Move and place the mounting structures in the correct orientation and then align and center the collector on the structures.

14 Step

4x7
4x8

14 Step

4x7
4x8