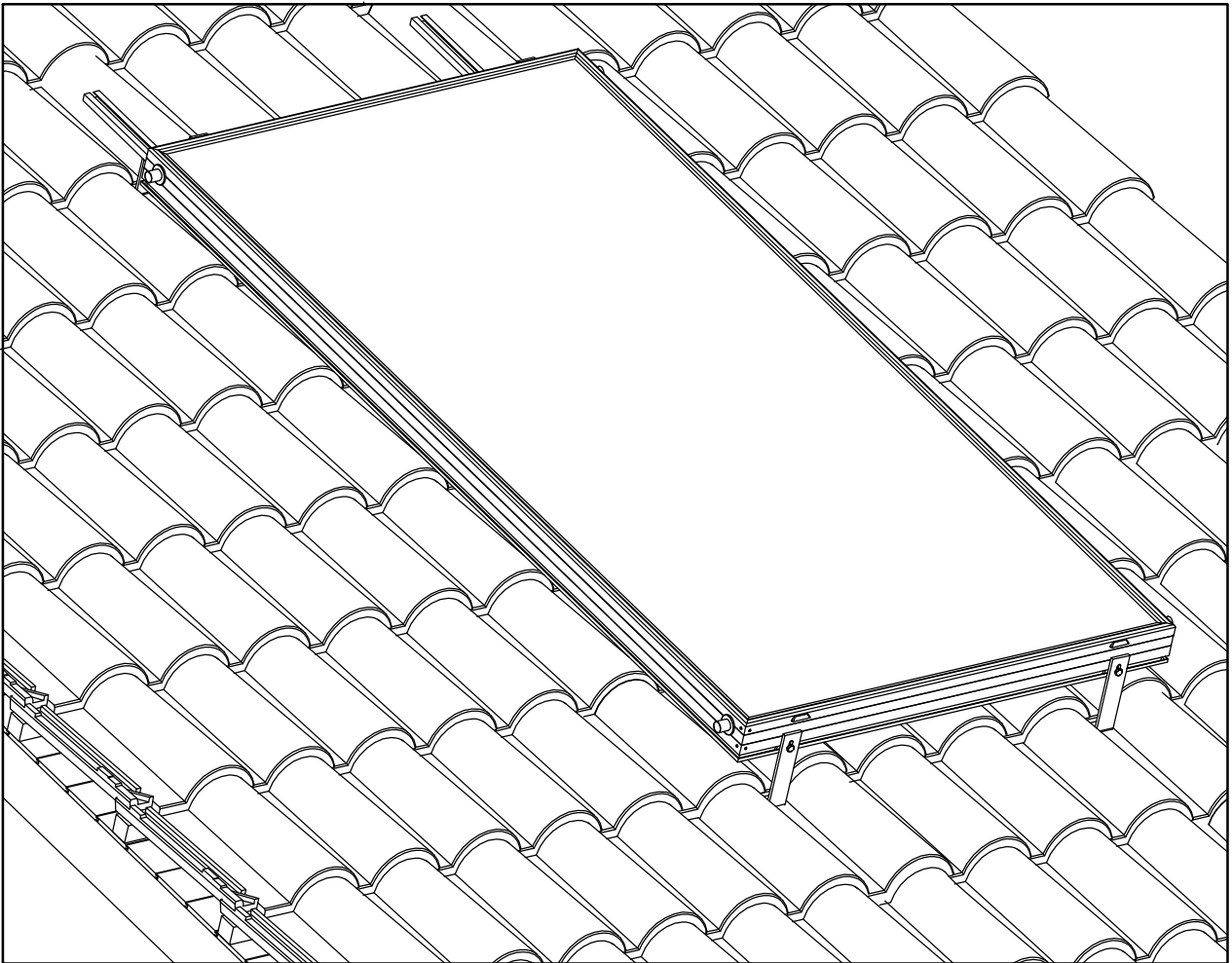
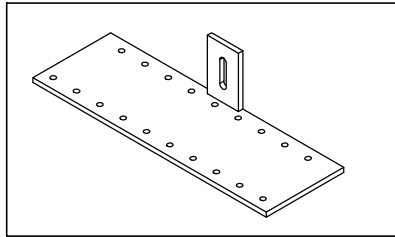


**Technical Installation Manual
For Solar Collector - Tilt Roof**



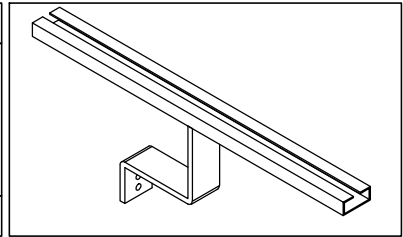
ASSEMBLY PARTS

PART 1



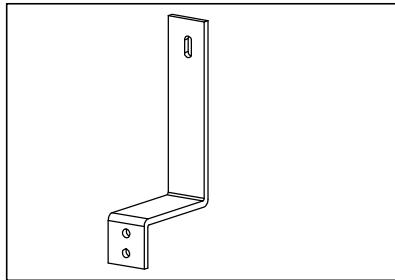
QTY: 4

PART 2



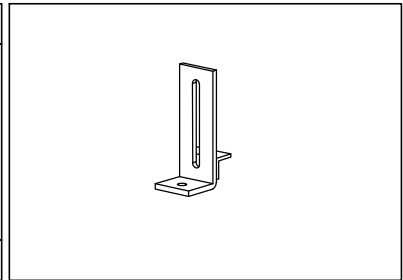
QTY: 2

PART 3



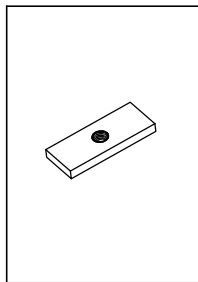
QTY: 2

PART 4



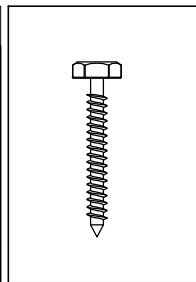
QTY: 2

PART 5



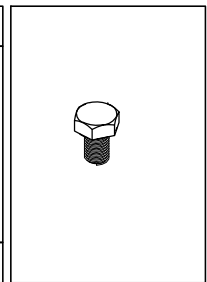
QTY: 2

PART 6



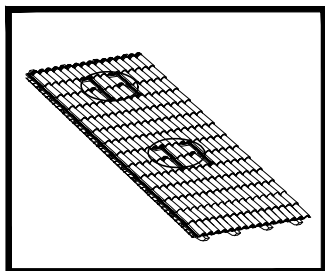
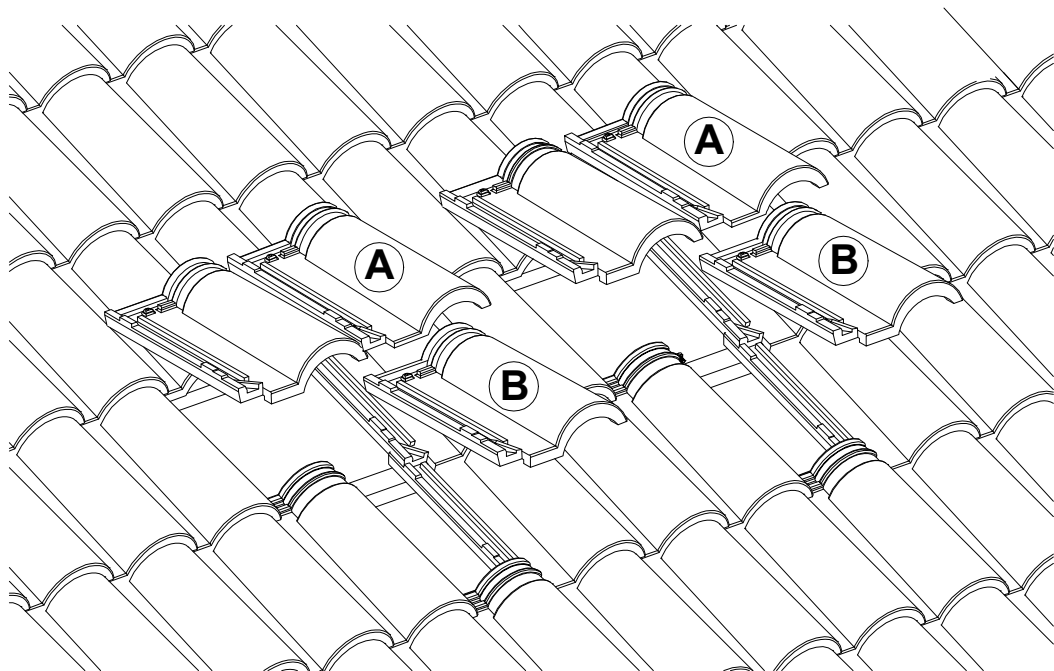
QTY: 12

PART 7

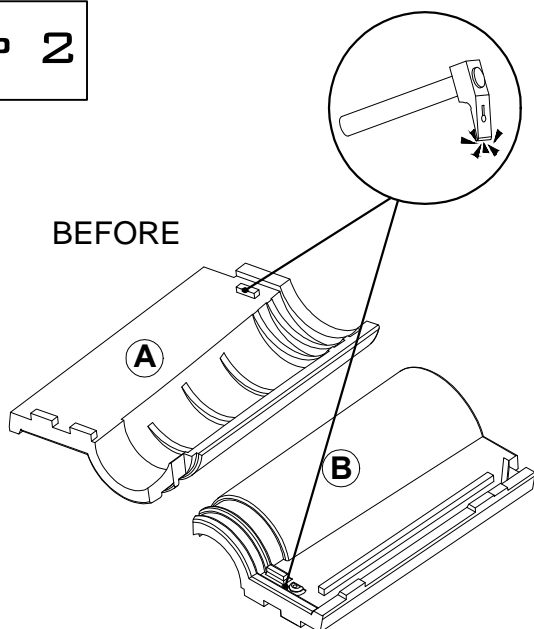


QTY: 12

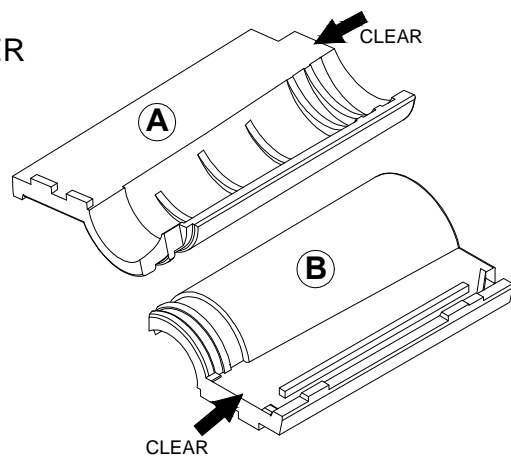
STEP 1



STEP 2

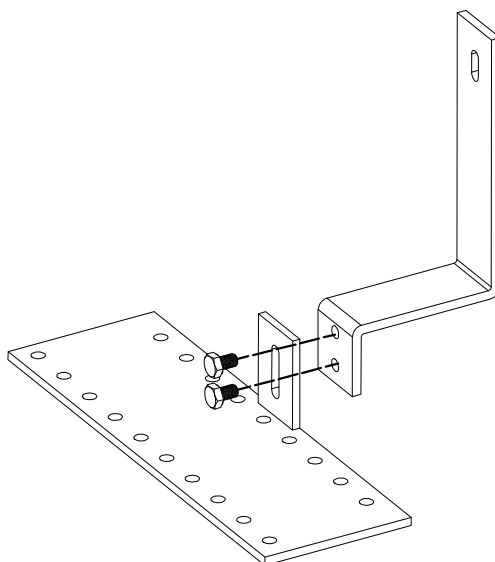
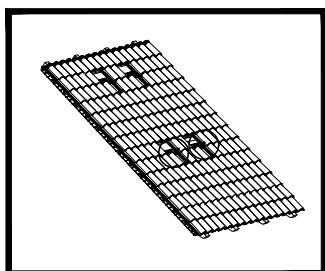


AFTER

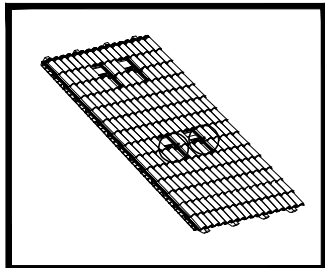
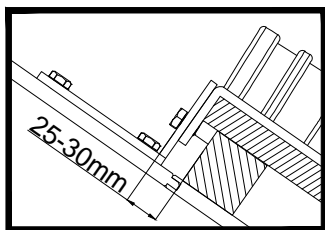


STEP 3

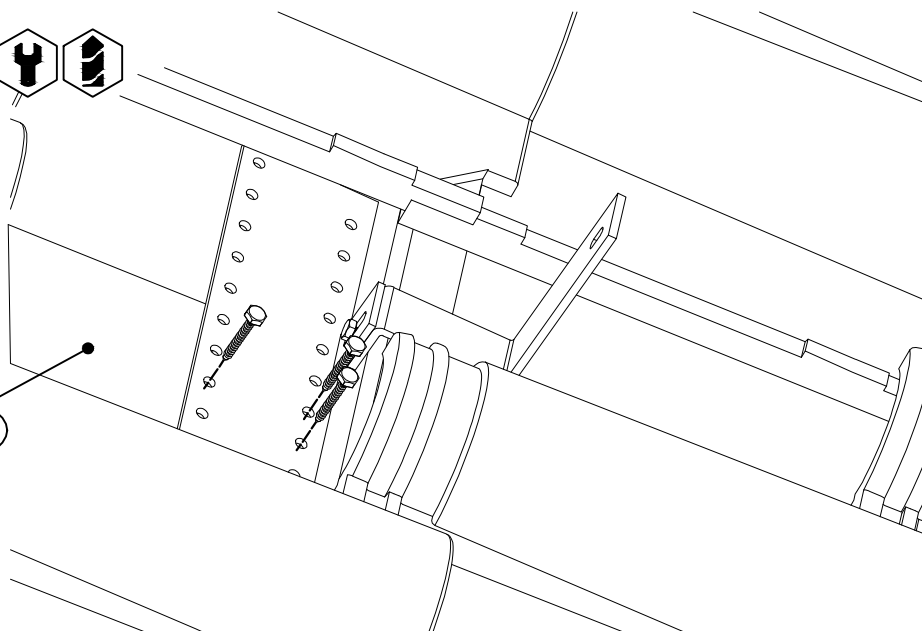
- PART 1 x2 pcs
- PART 3 x2 pcs
- PART 7 x4 pcs



STEP 4 PART 6 x6 pcs

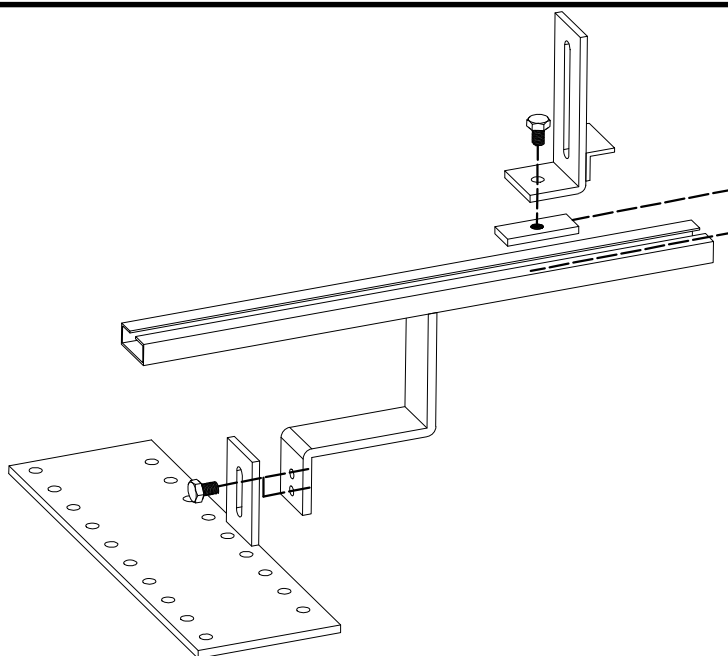
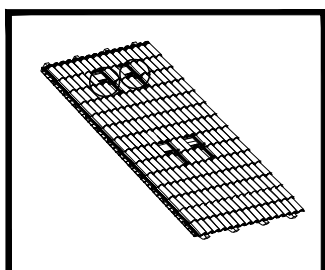


Beam

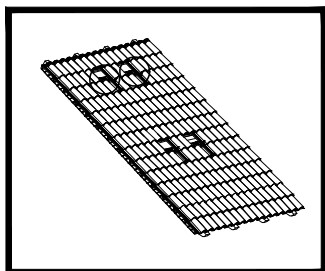
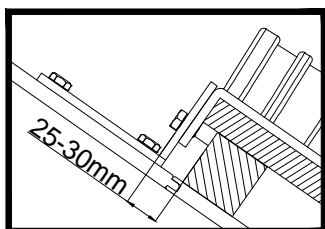


STEP 5

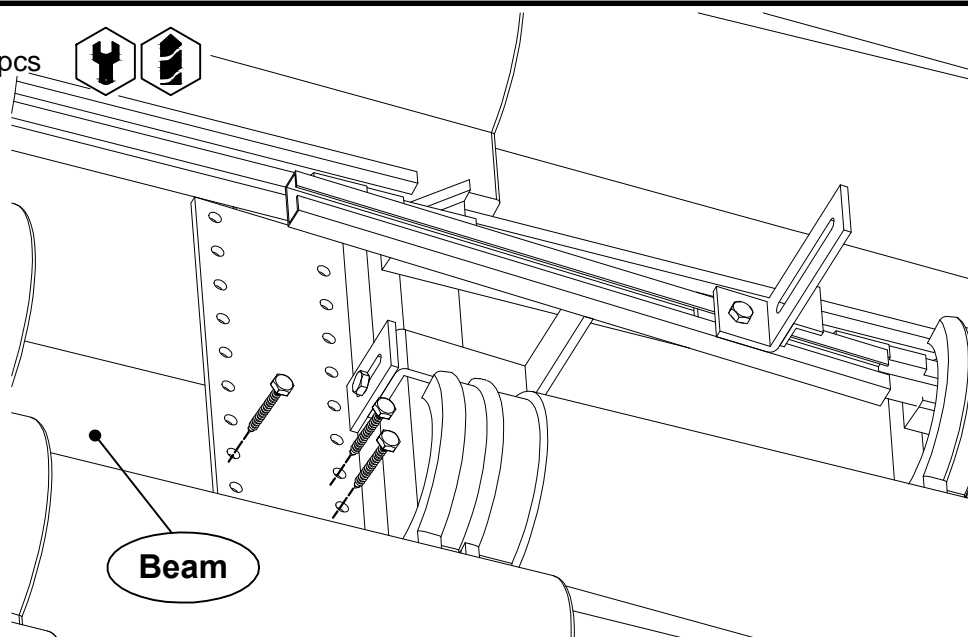
- PART 1 x2 pcs
- PART 2 x2 pcs
- PART 4 x2 pcs
- PART 5 x2 pcs
- PART 7 x4 pcs



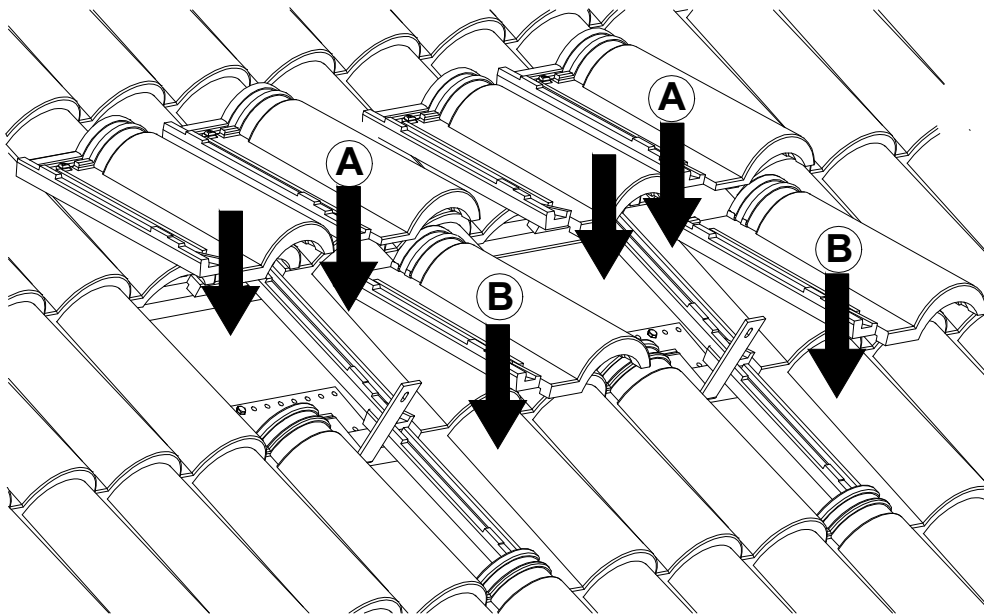
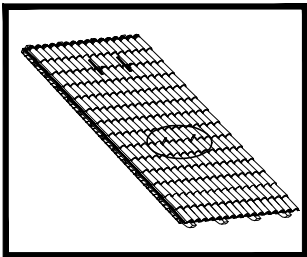
STEP 6 PART 6 x6 pcs



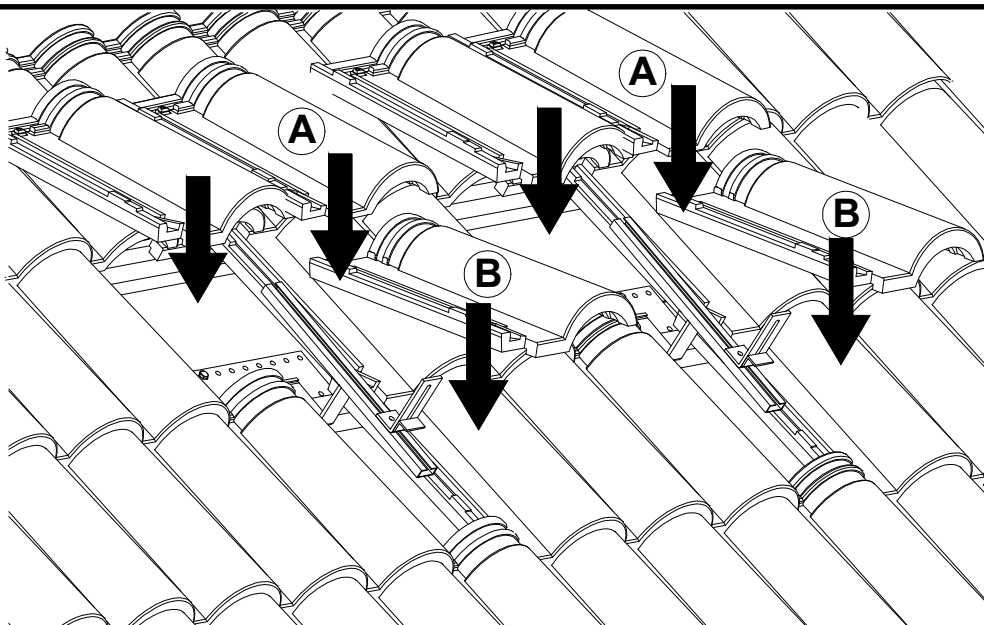
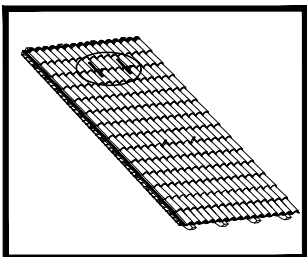
Beam




STEP 7

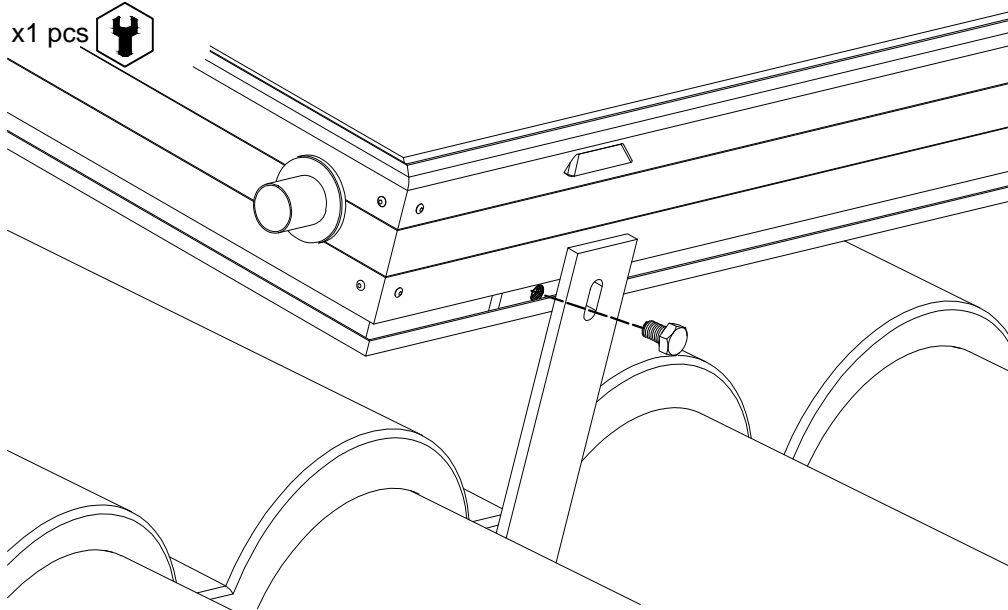
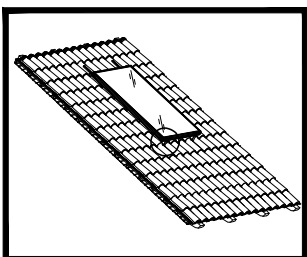


STEP 8



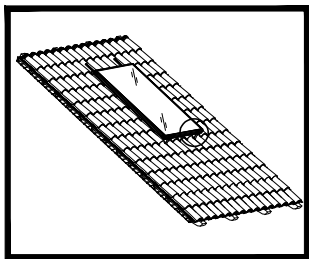
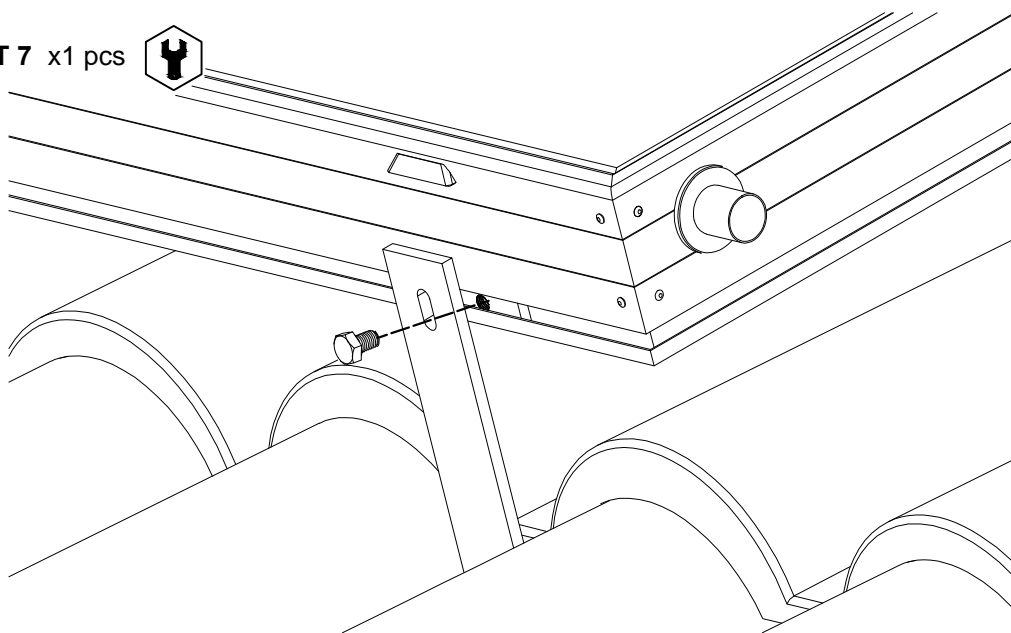
STEP 9

PART 7 x1 pcs 



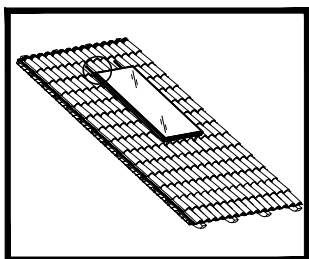
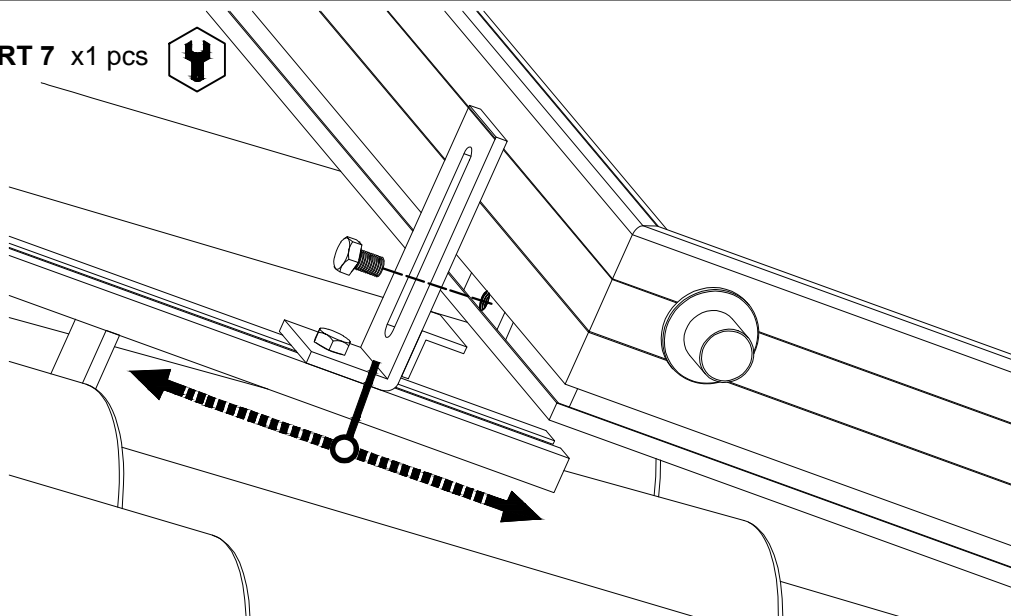
STEP 10

PART 7 x1 pcs



STEP 11

PART 7 x1 pcs



STEP 12

PART 7 x1 pcs

