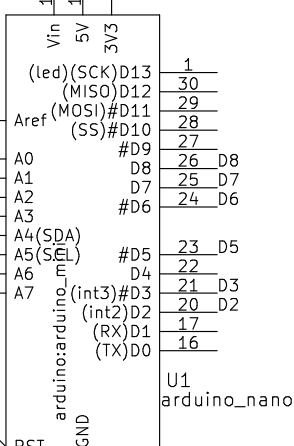
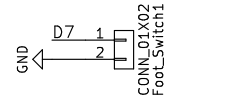
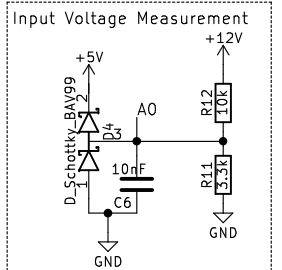
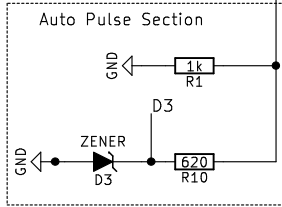
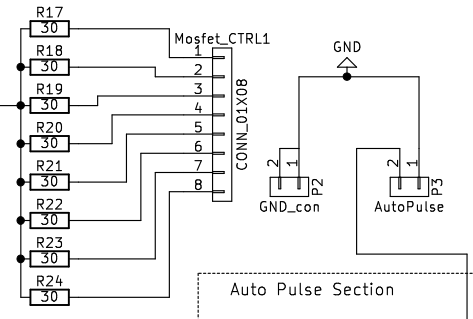
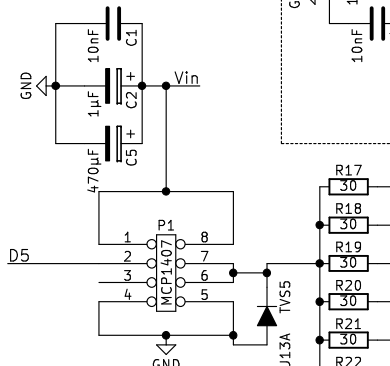
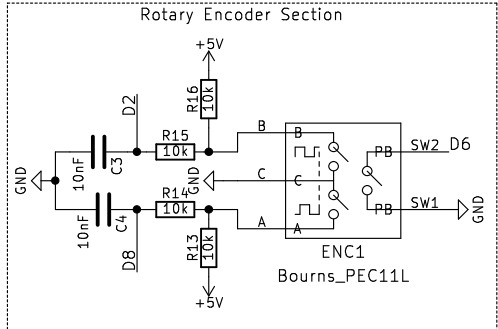
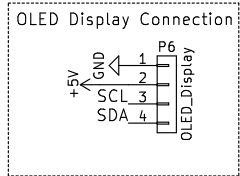
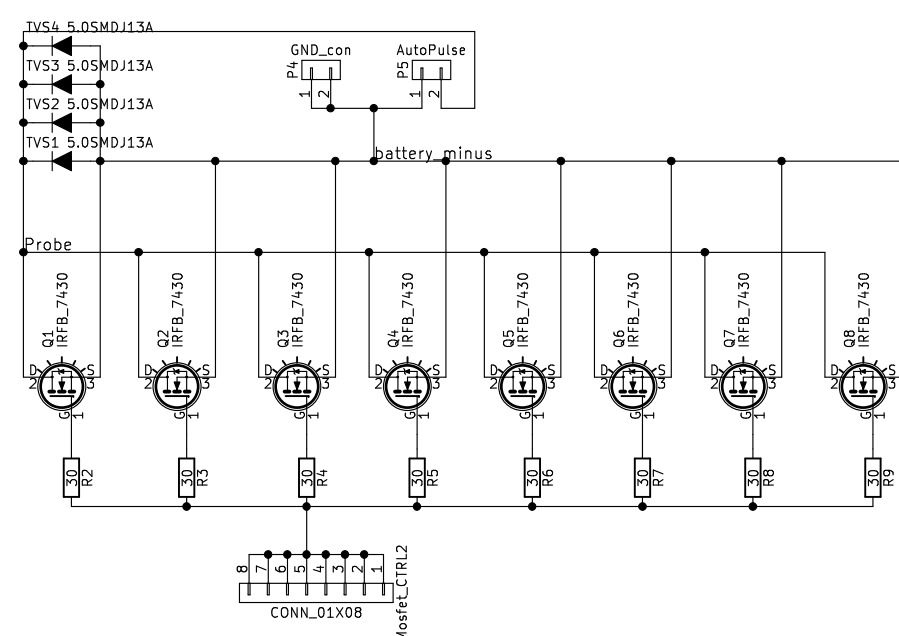


# Arduino Board Schematic



# Mosfet Board Schematic



<b>Malectrics.eu</b>	
Sheet: /	
File: Arduino_Spot_Welder.sch	
<b>Title: Arduino Spot Welder V3.3</b>	
Size: A4	Date: 29.03.2019
KiCad E.D.A. kicad 4.0.4-stable	Rev: 3.3
	Id: 1/1