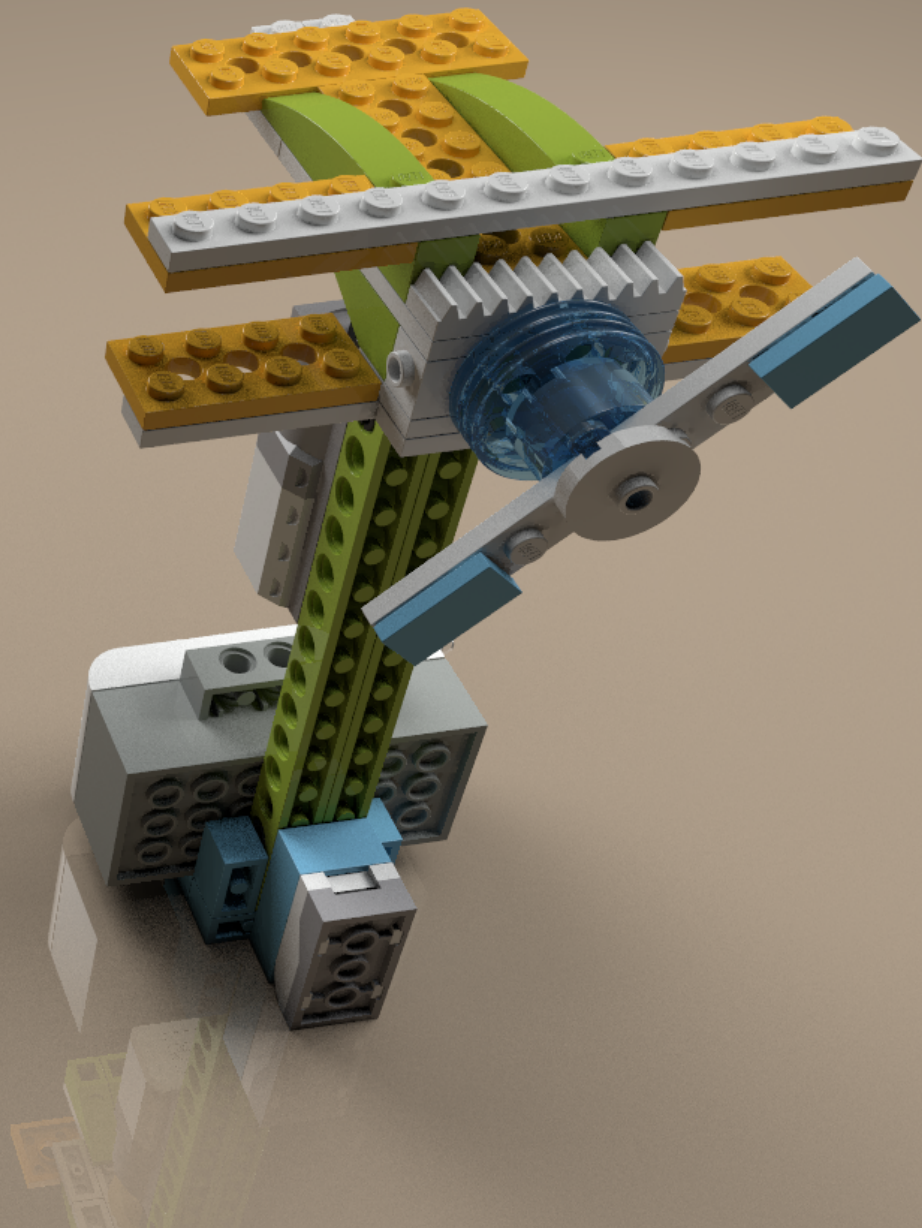


Wedo2.0 #24-早期双翼小飞机

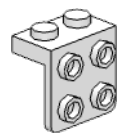
双翼小飞机

Model instructions by Xing Wei

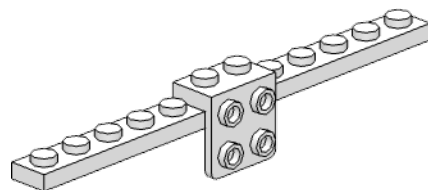
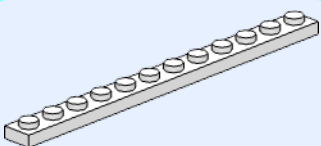
61 Pieces



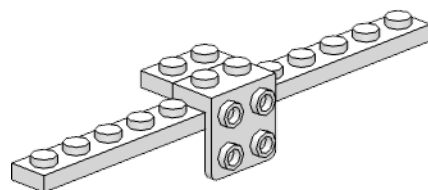
1
1x



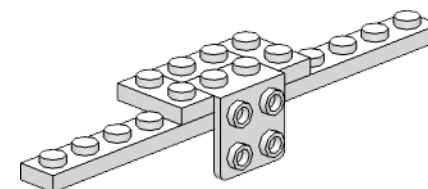
2
1x



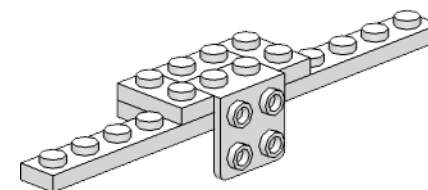
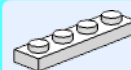
3
1x



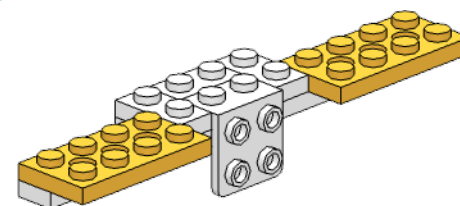
4
2x




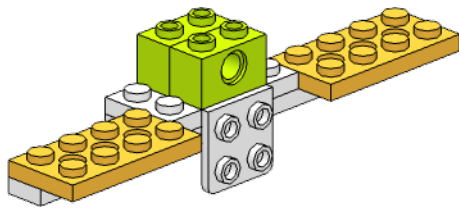
5
1x



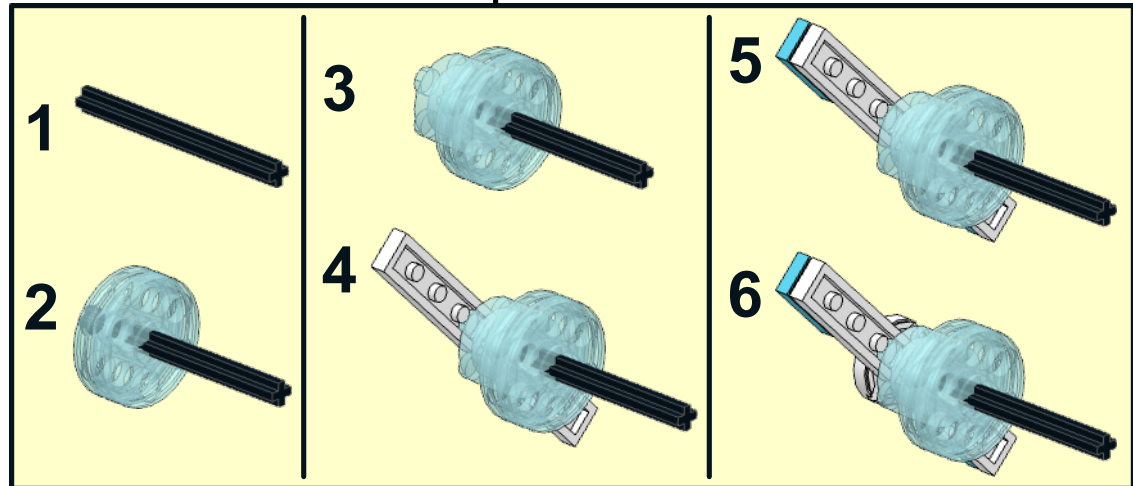
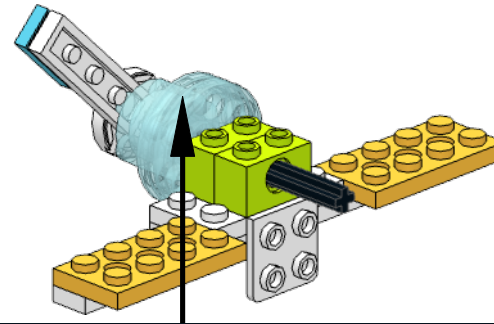
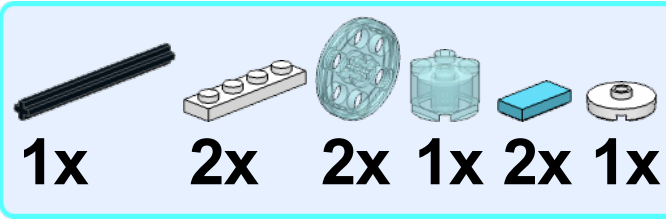
6
2x



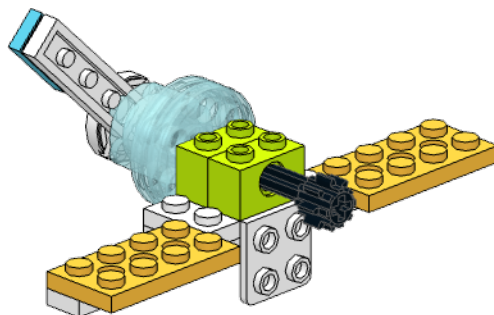
7 
2x



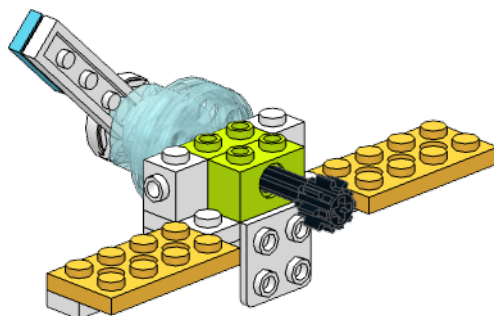
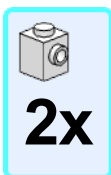
8



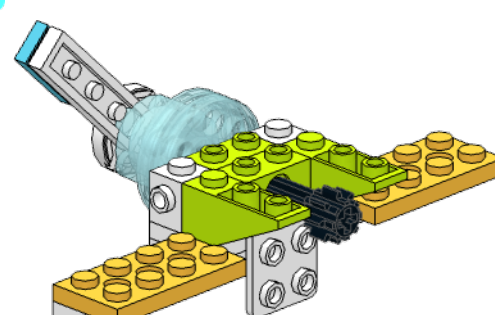
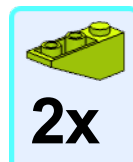
9



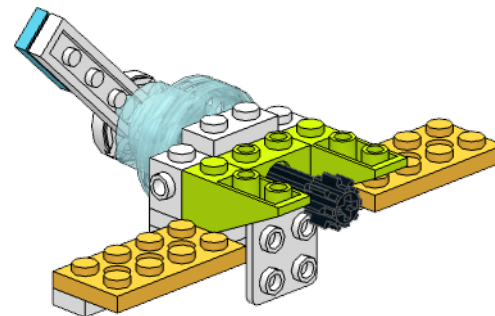
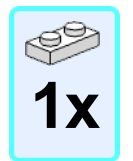
10



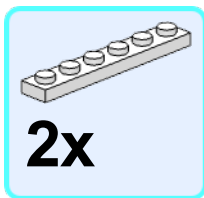
11



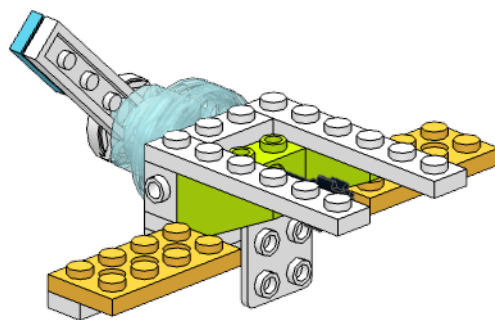
12



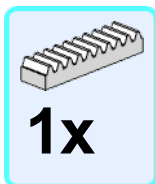
13



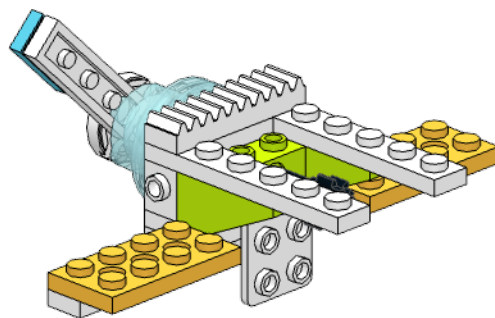
2x



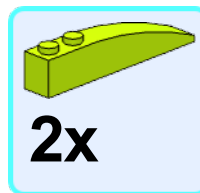
14



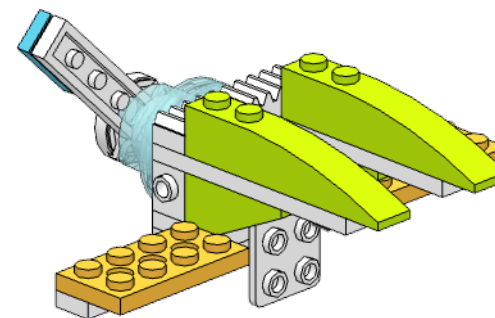
1x



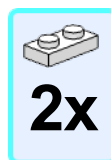
15



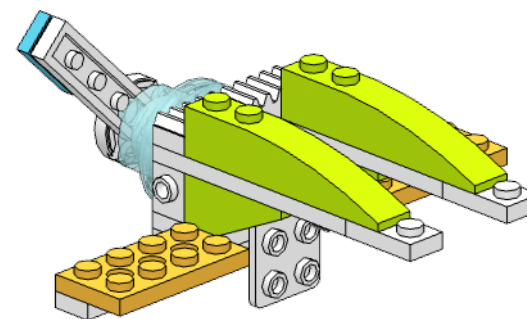
2x



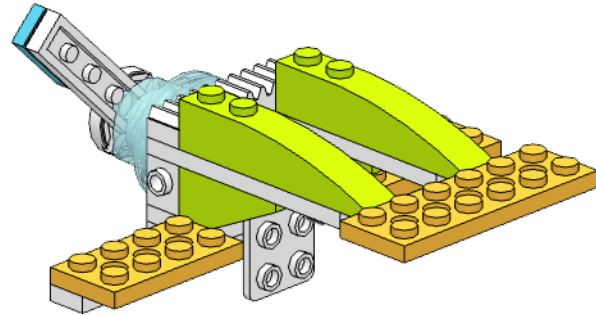
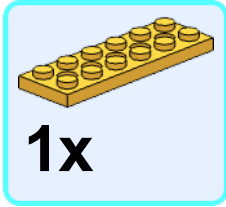
16



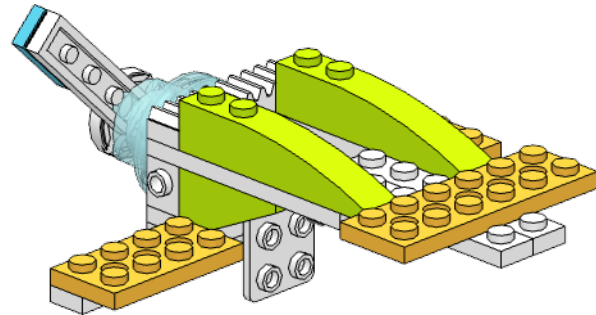
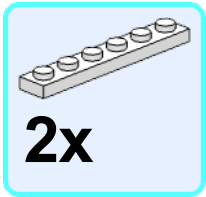
2x



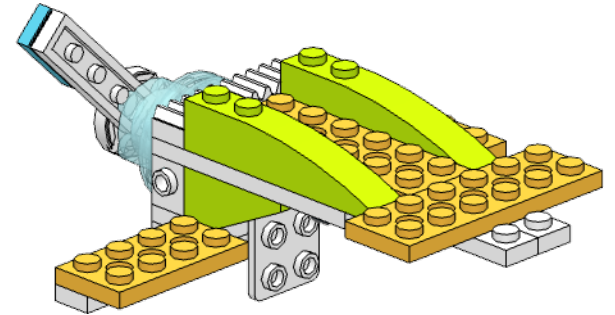
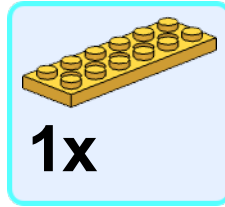
17



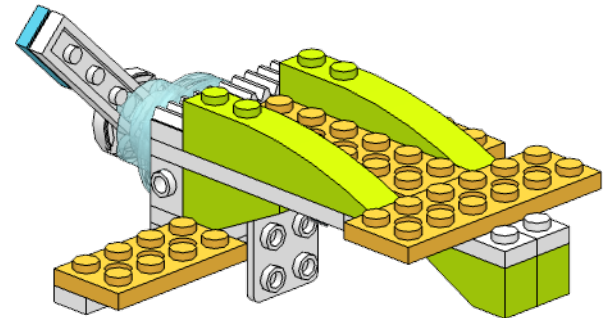
18



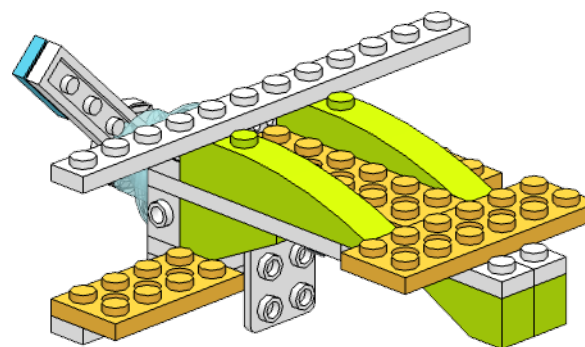
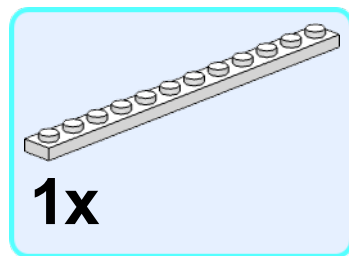
19



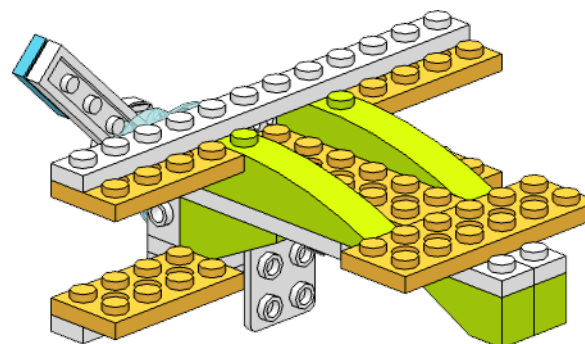
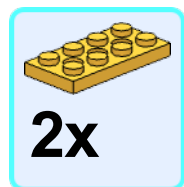
20

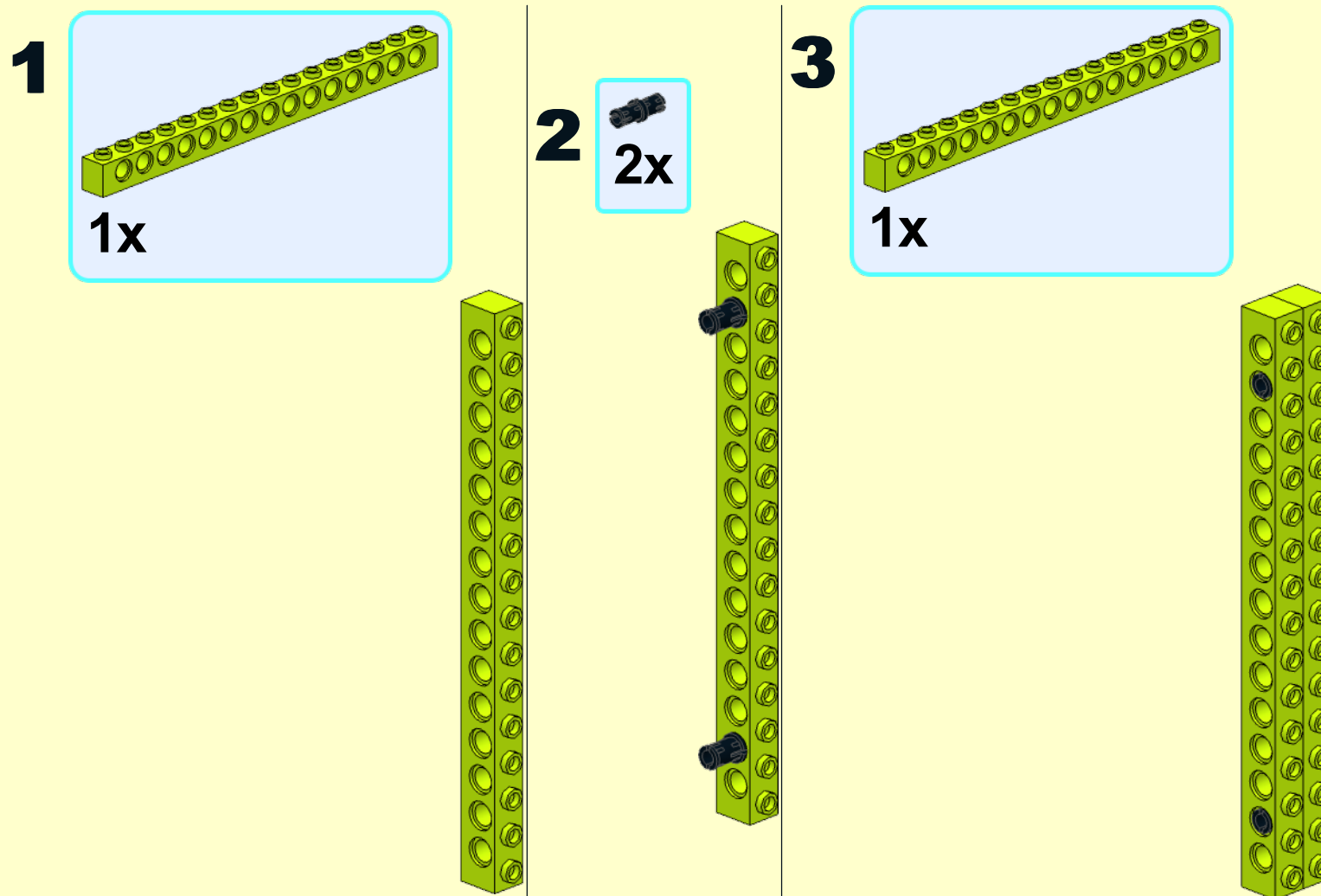


21

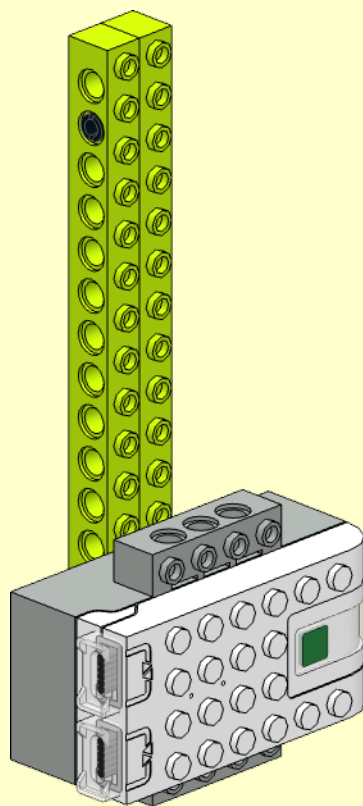


22

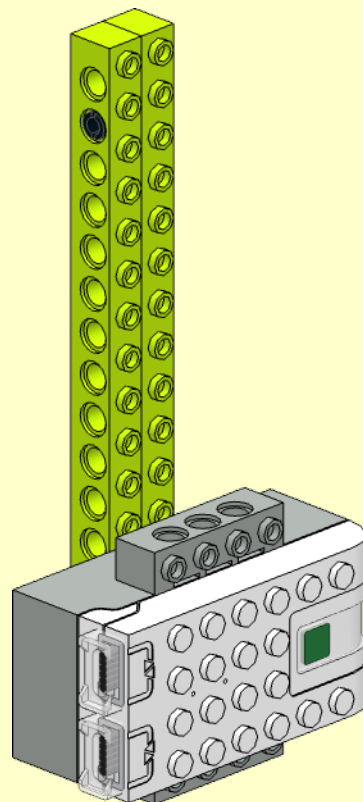
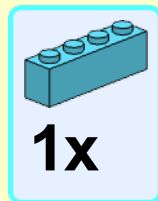




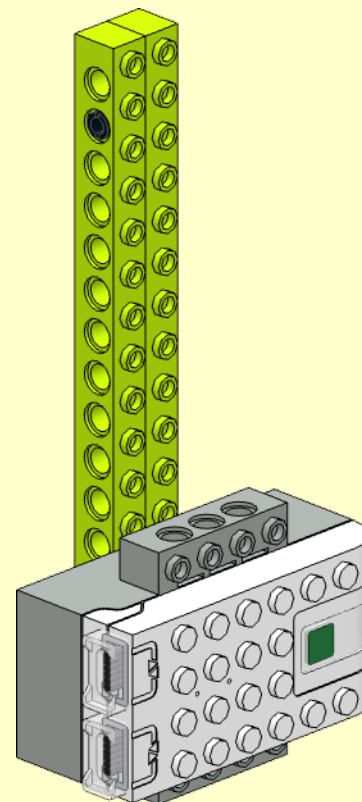
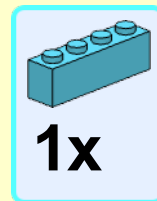
4

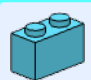


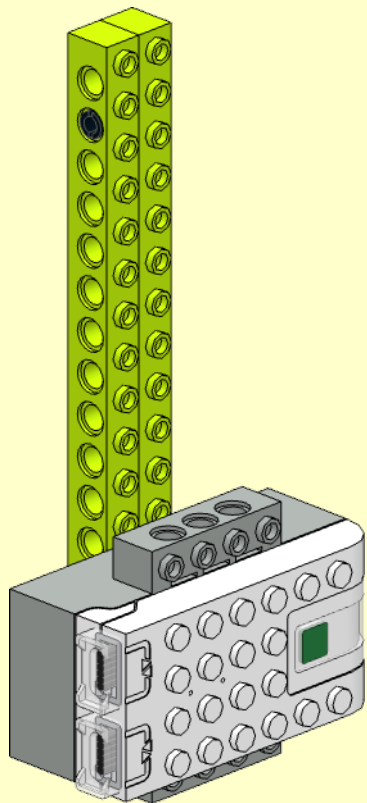
5

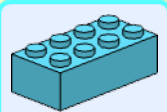


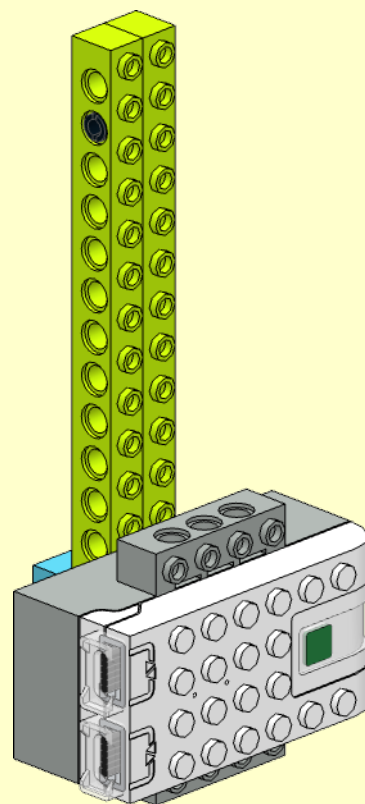
6

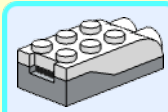


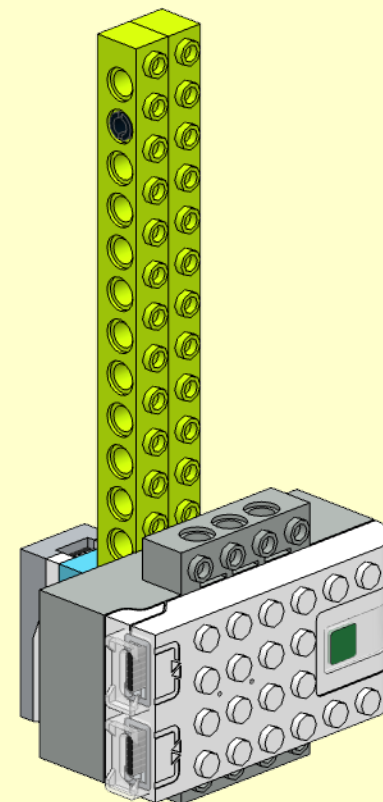
7 
2x



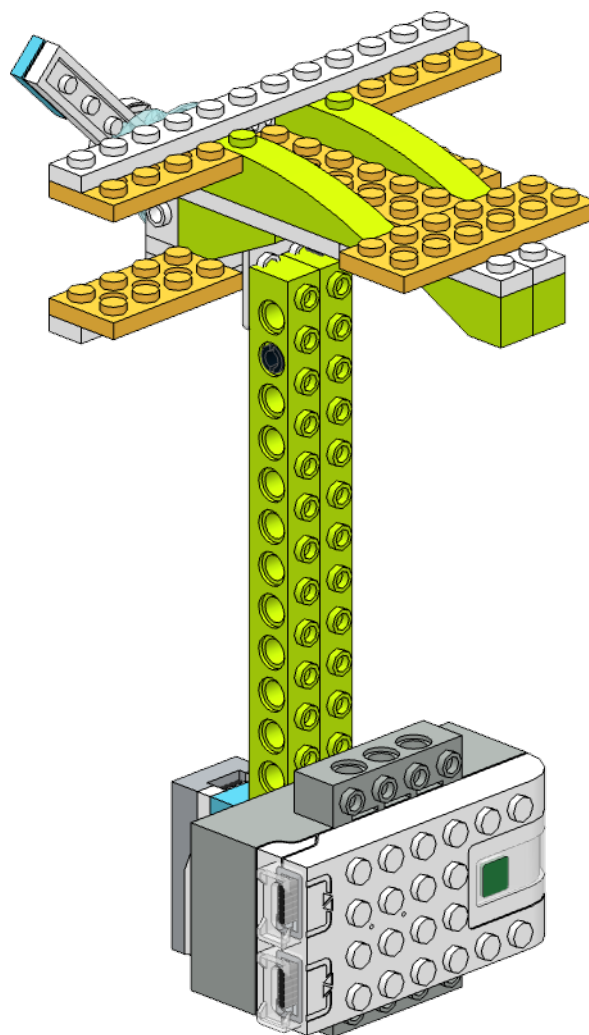
8 
1x

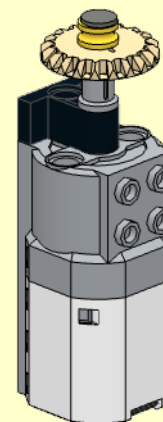
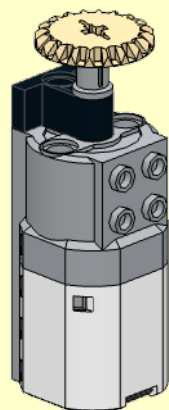
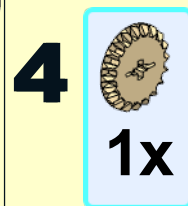
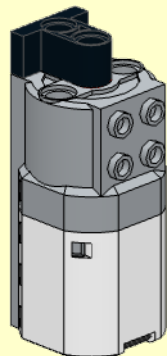
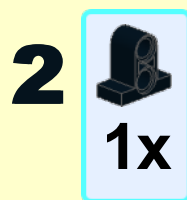
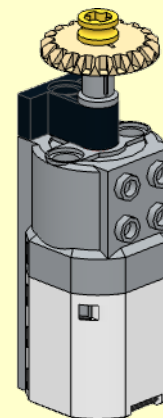
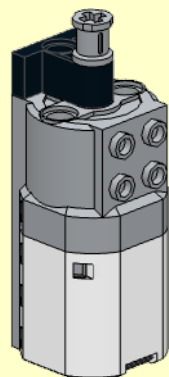
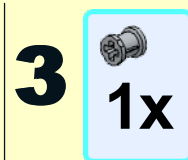
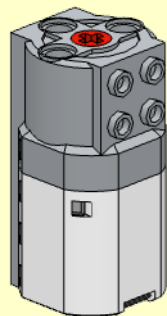
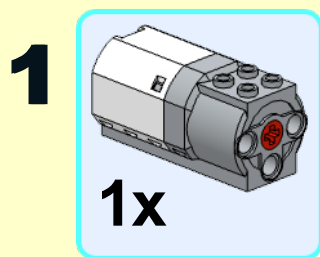


9 
1x

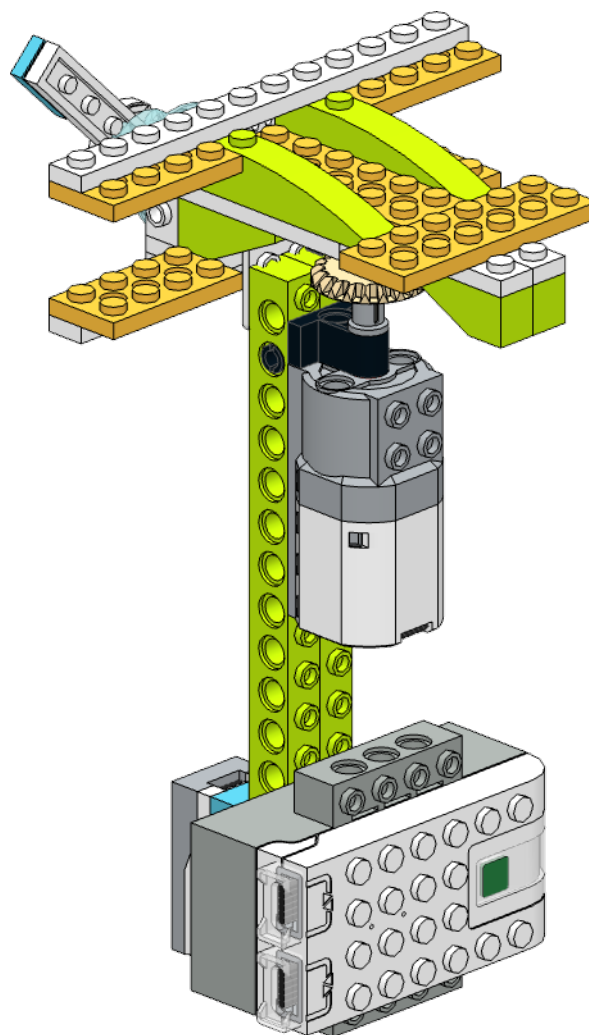


23





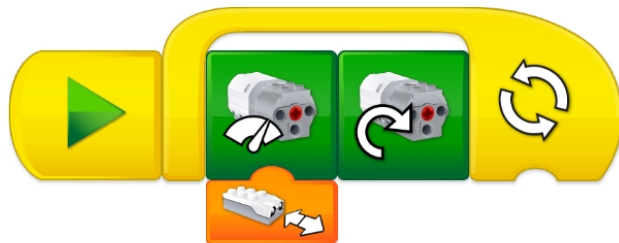
24



1、让螺旋桨转起来吧!参考程序如下。



2、通过距离传感器模块来控制螺旋桨的转速!



双翼小飞机

Model instructions by 邢伟

Copyright © 2016

QQ:313969533

**LEGO® is a registered trademark of the LEGO Group,
which does not sponsor, endorse, or authorize these
instructions or the model they depict.**

Instructions configured and generated using LPub3D 1.2.3.443.1
Download LPub3D at <http://sourceforge.net/projects/lpub3d/>

