



Autonomous transport



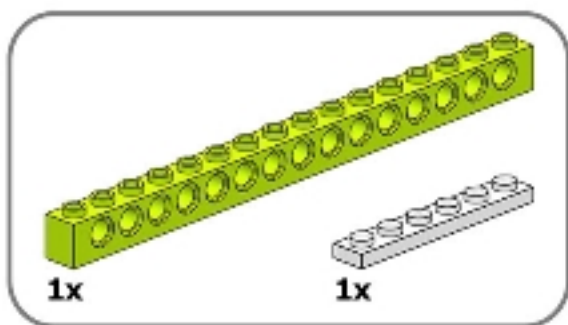
0



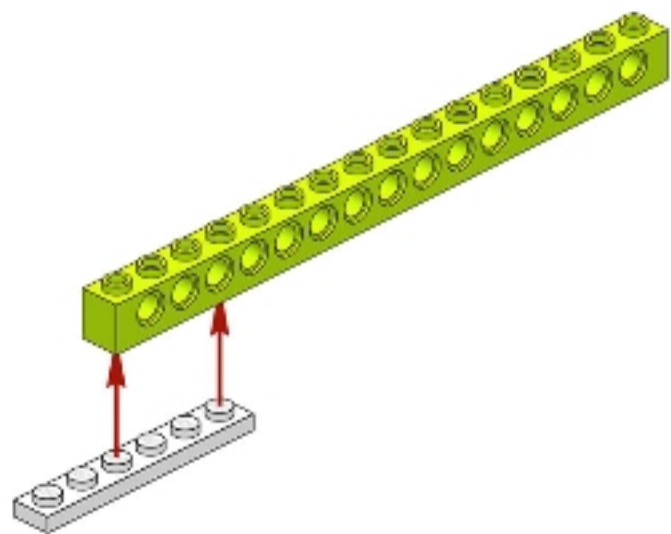
1

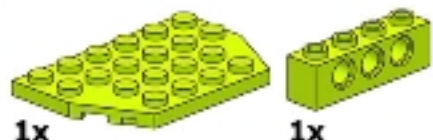
SmartBus



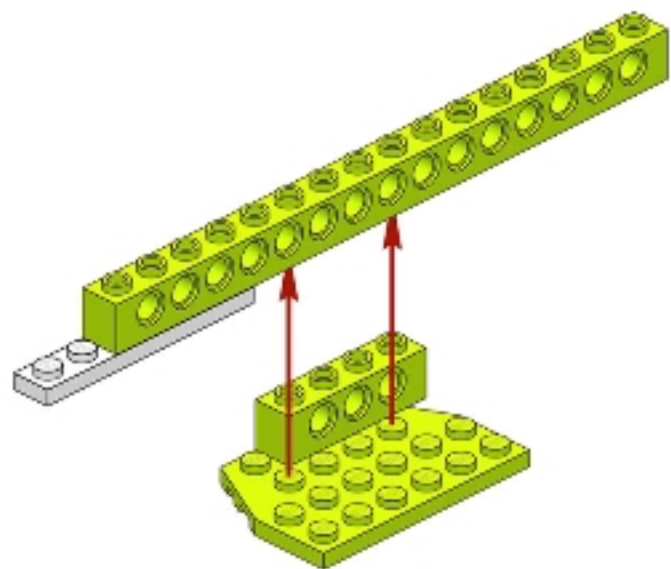


1

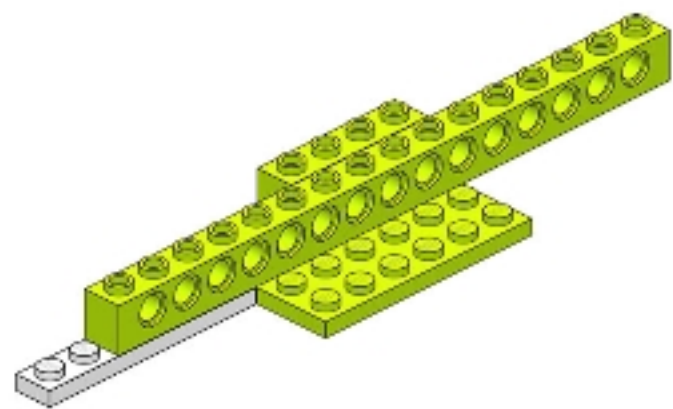


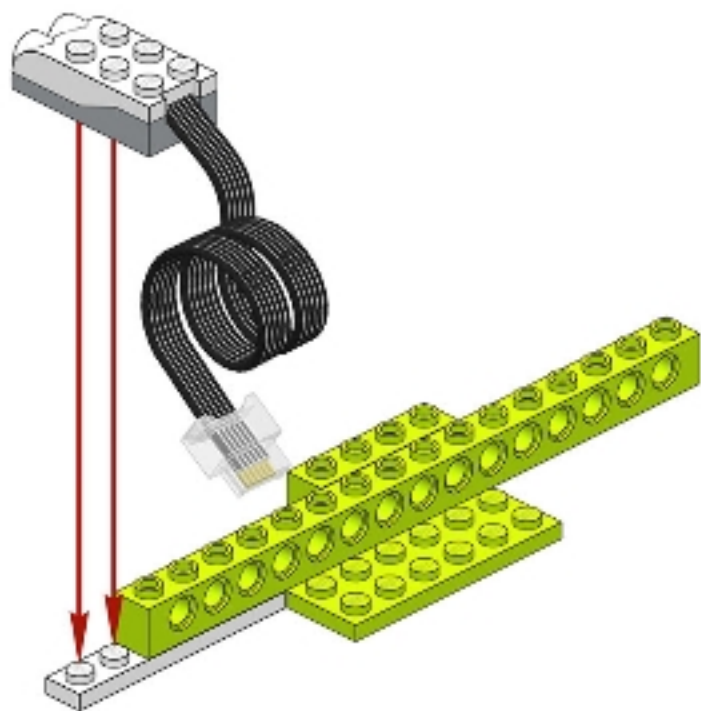
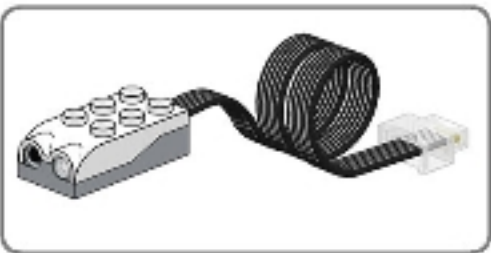


2



3

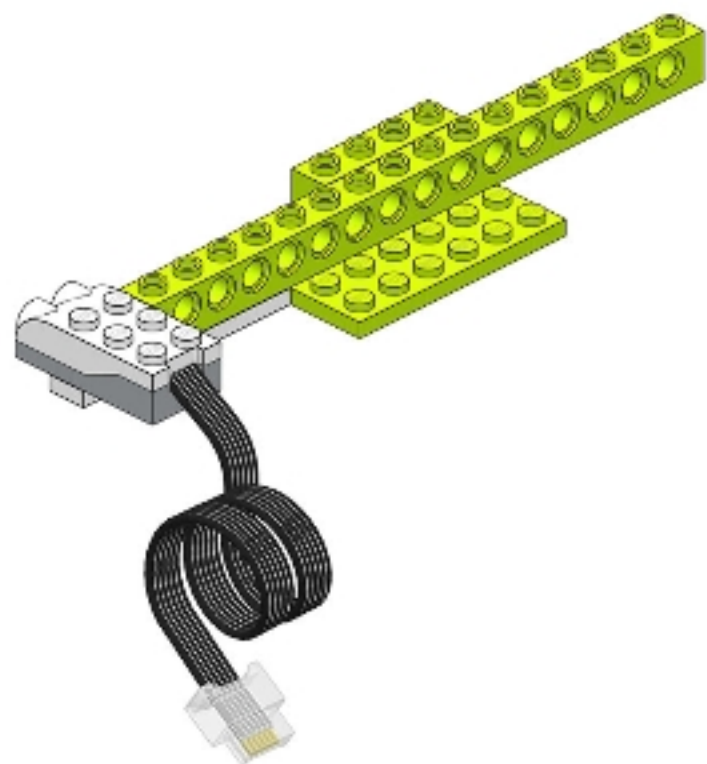


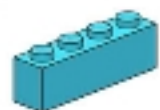


4



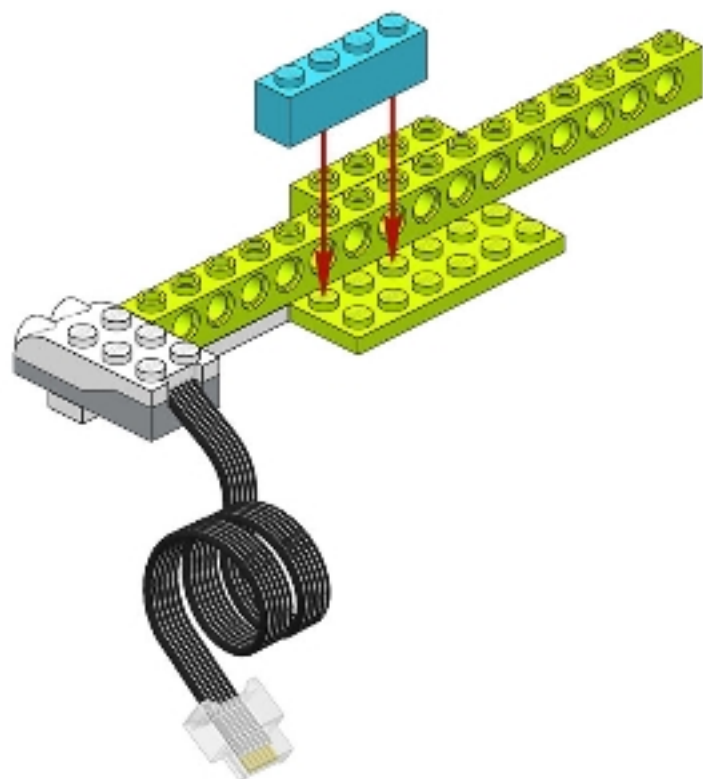
5

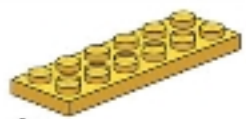




1x

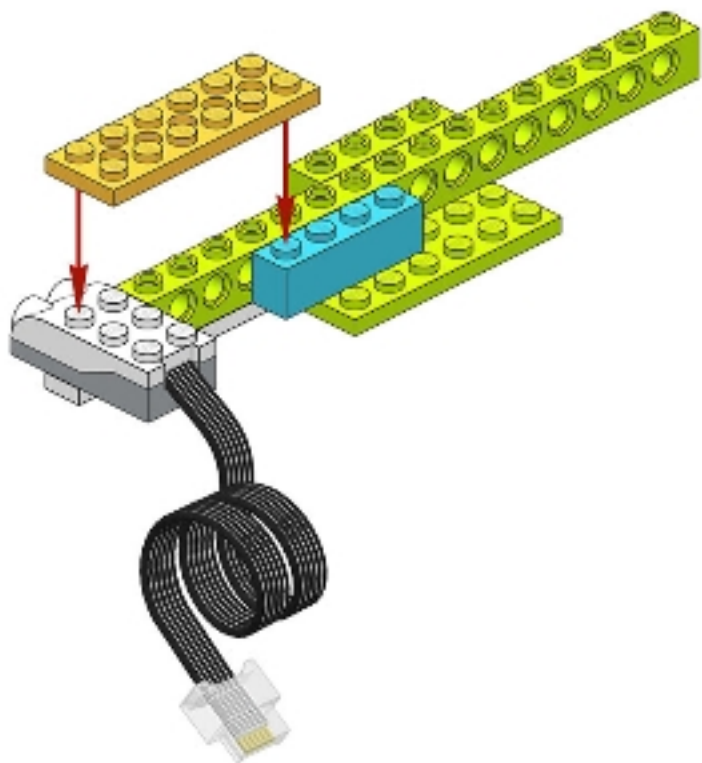
6



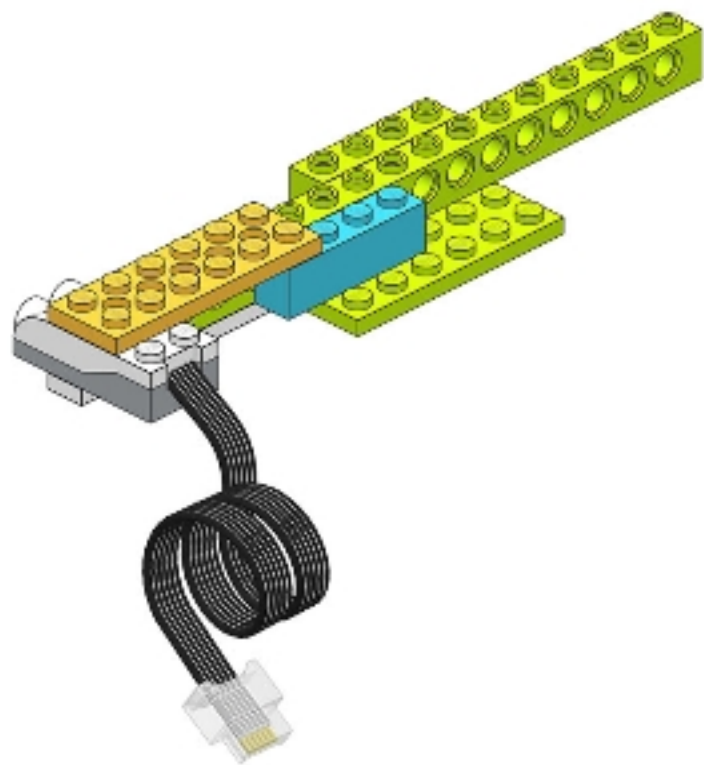


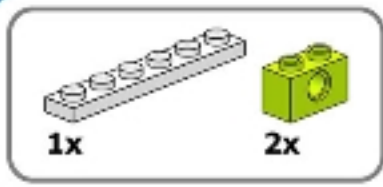
1x

7

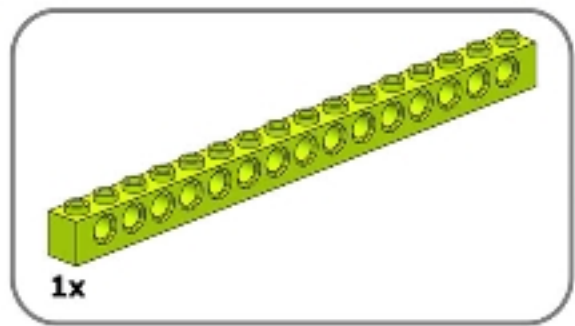
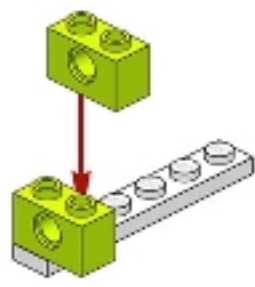


8

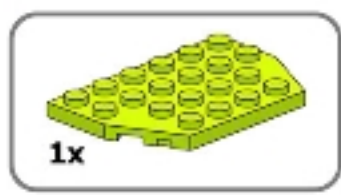
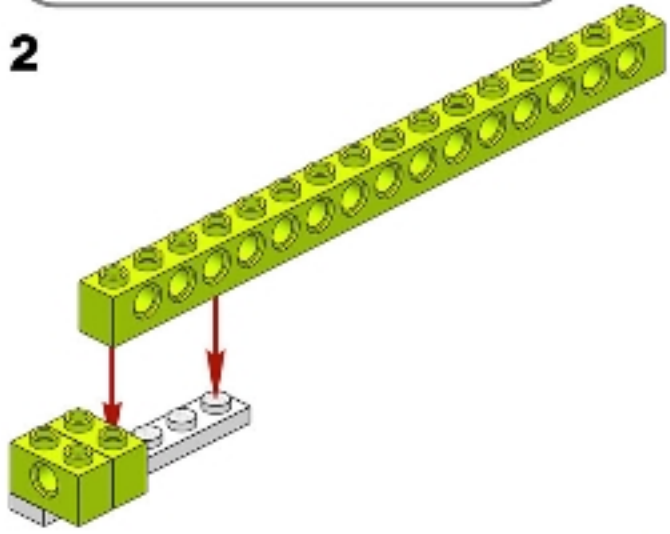




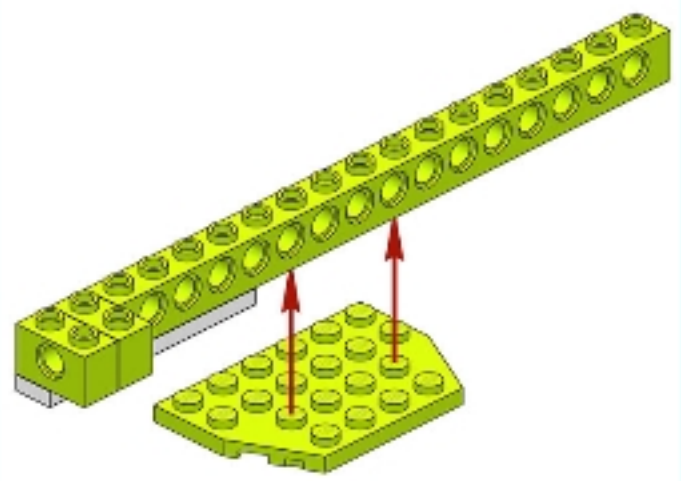
1



2



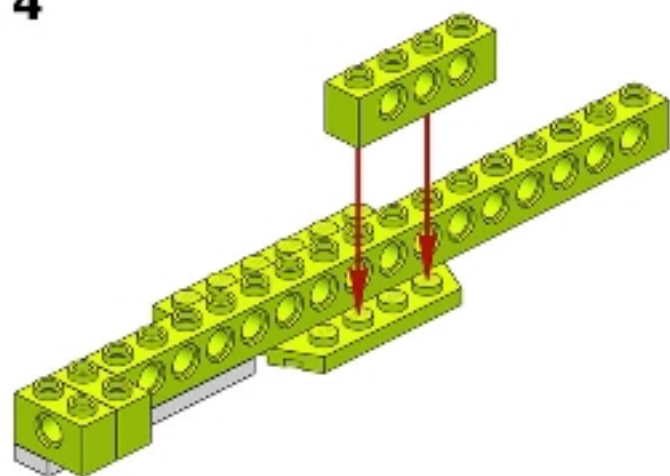
3



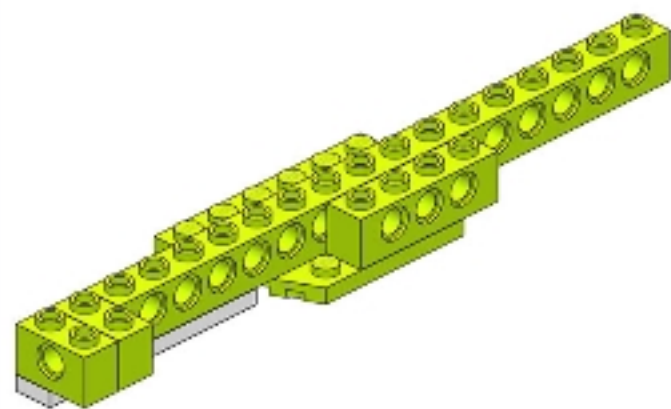


1x

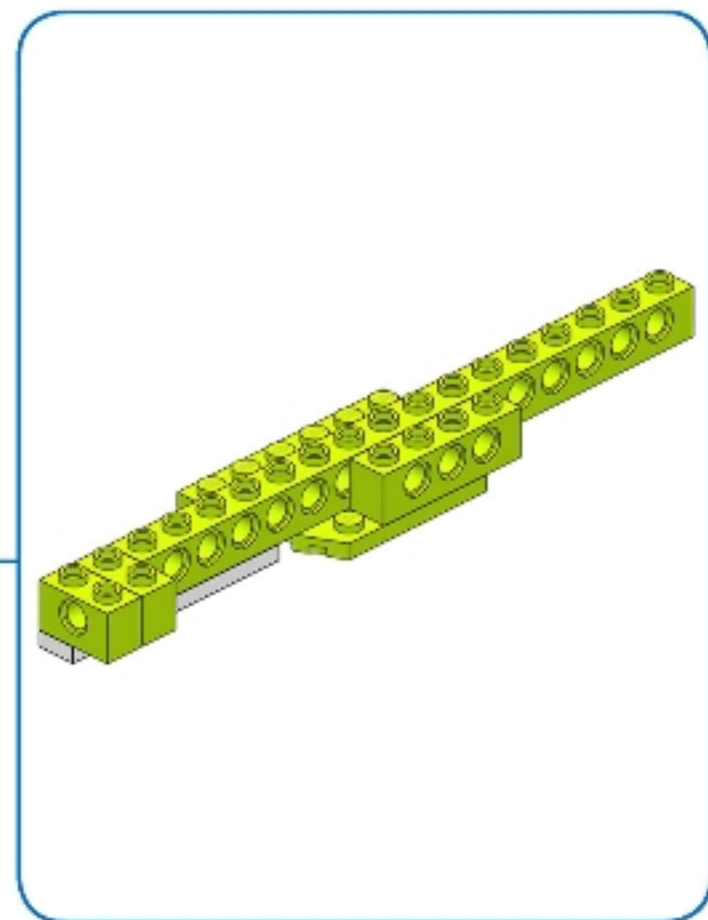
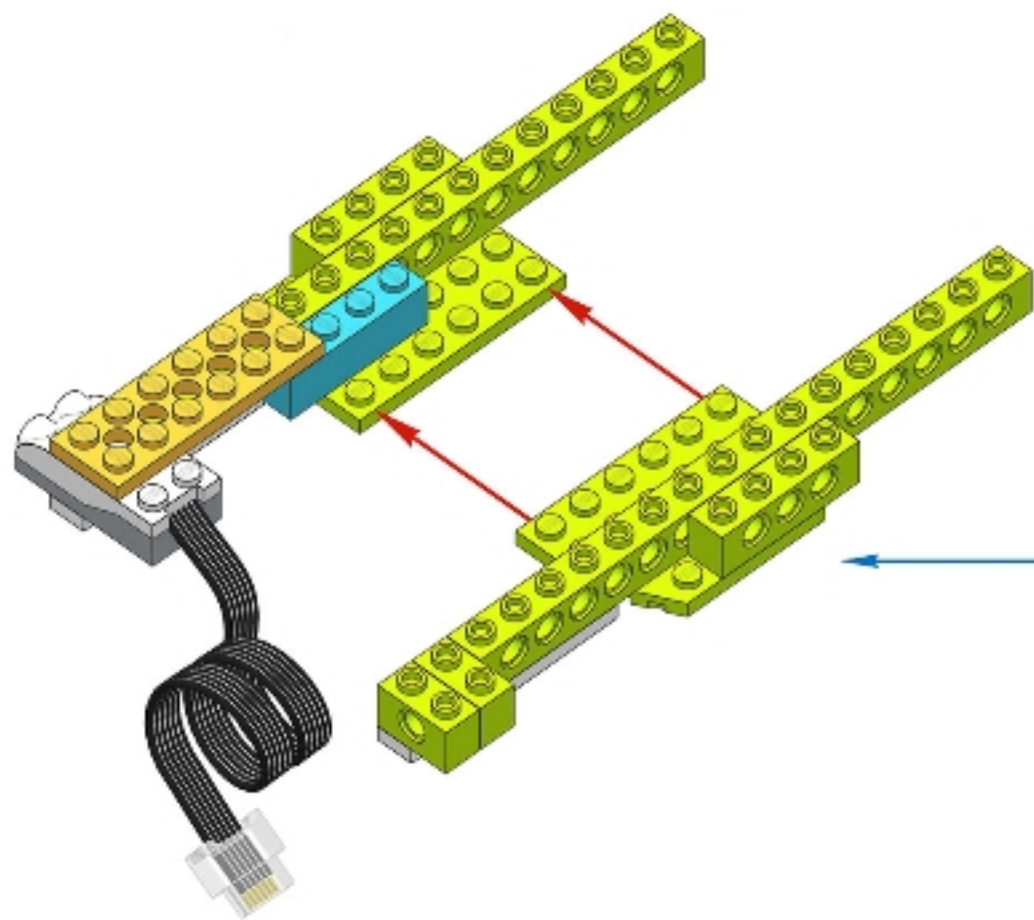
4



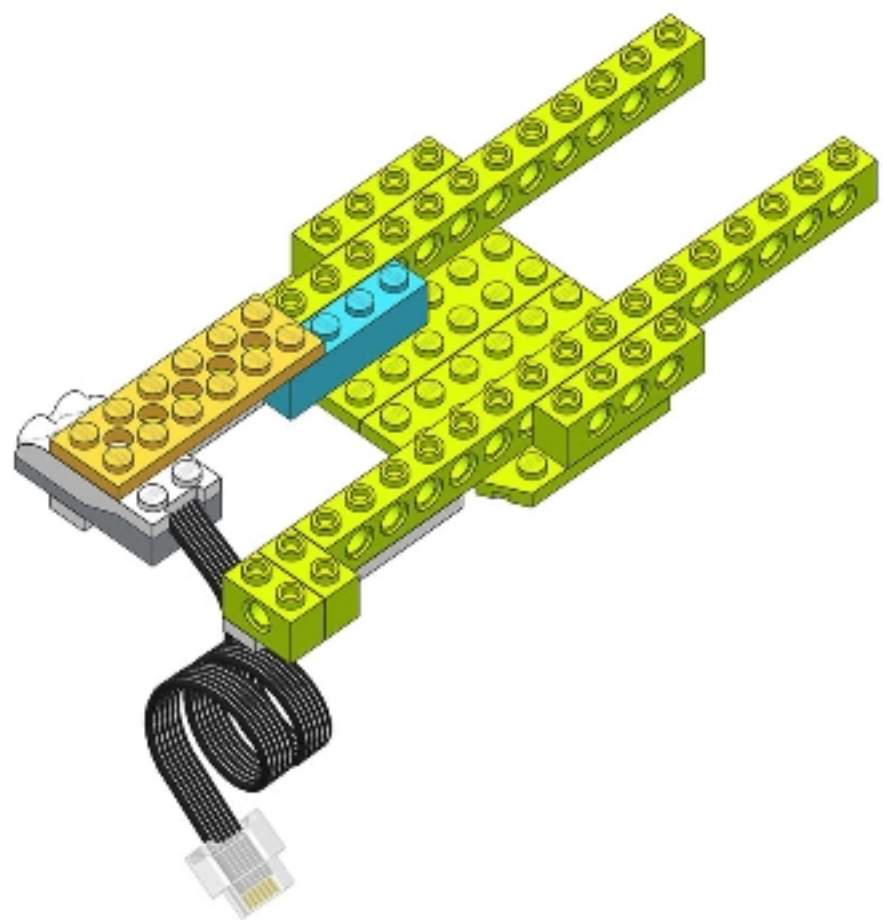
5

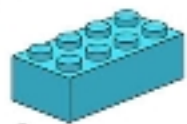


11

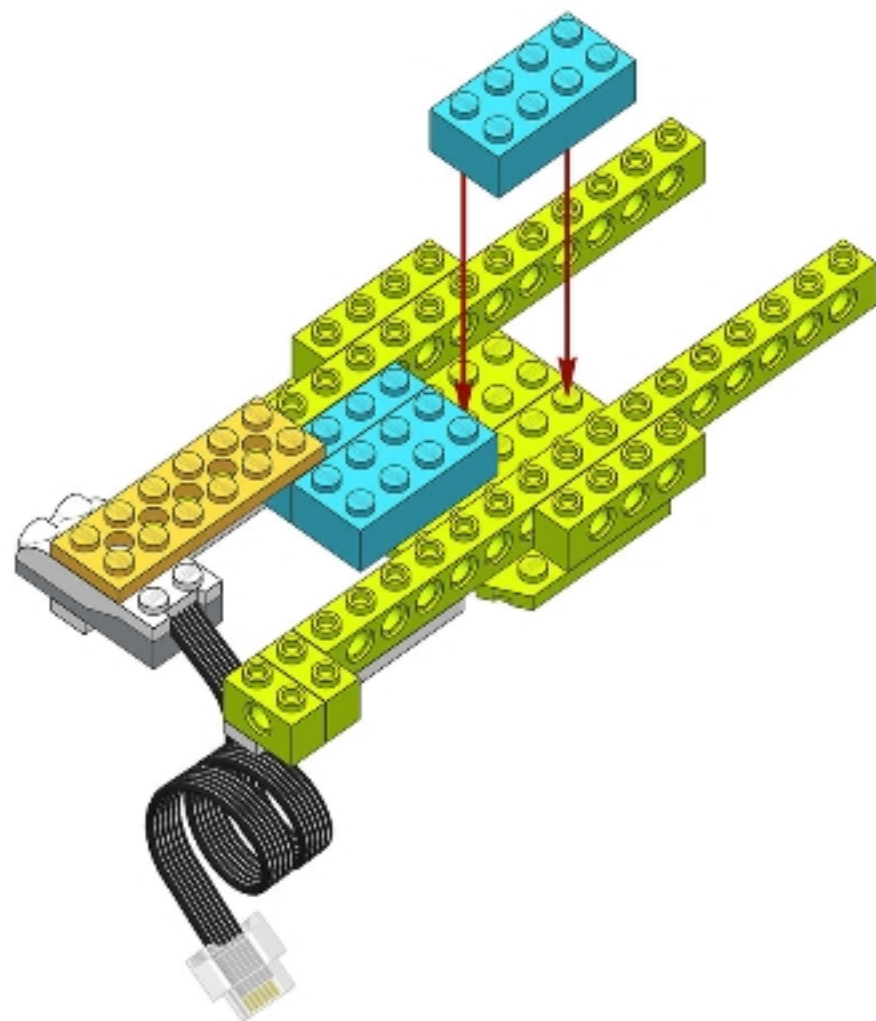


12





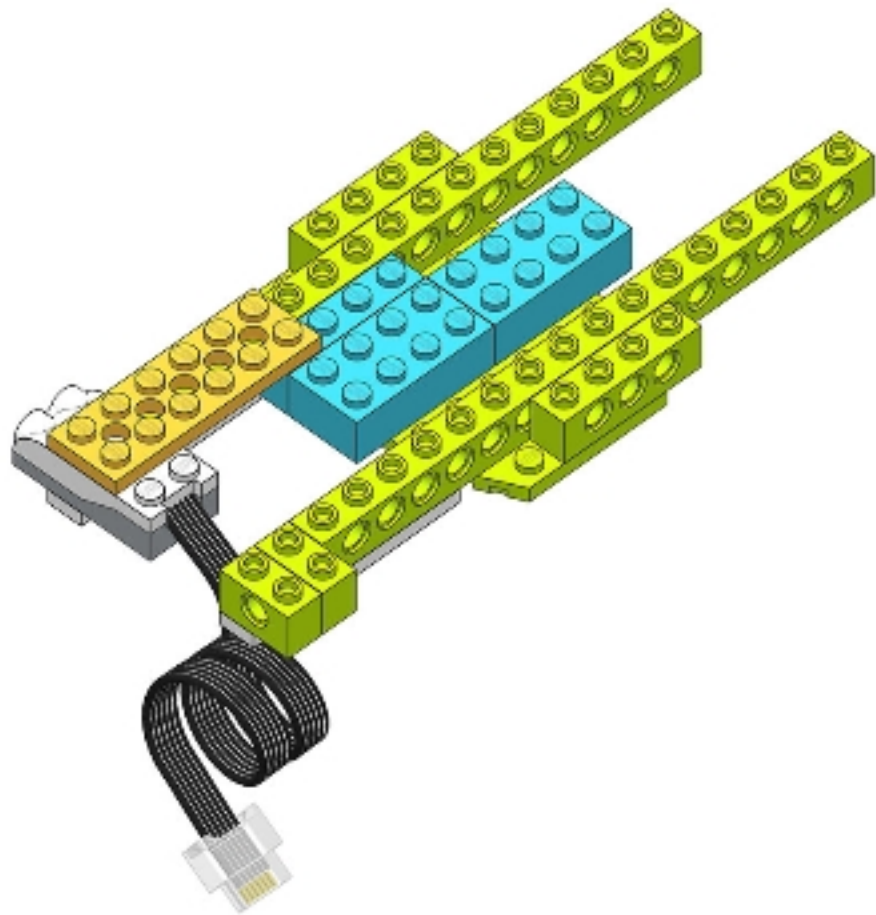
2x



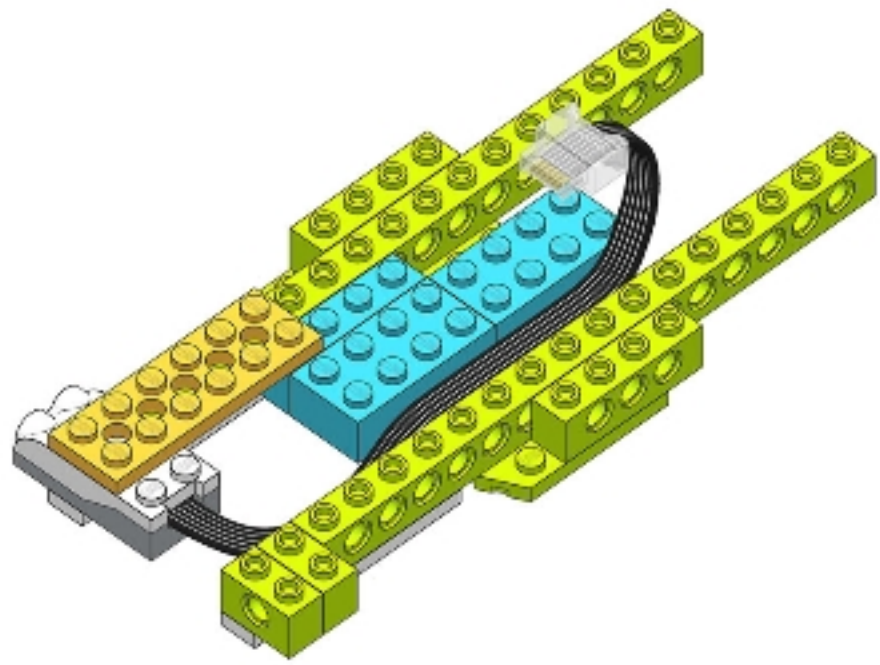
13



14



15



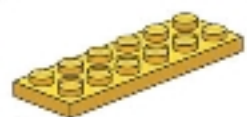
15/79

0

41

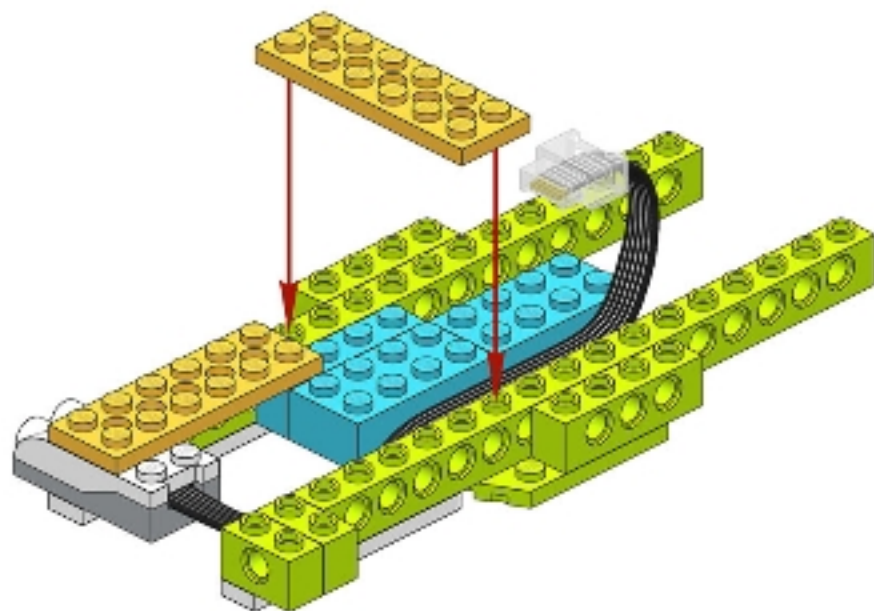
A vertical stack of three hexagonal icons. The top one contains the text '15/79'. The middle one contains a yellow sun-like symbol and the number '0'. The bottom one contains the number '41'. To the right of the '41' icon is a play button icon and a square icon with a green and white pattern.

A cluster of four hexagonal icons arranged in a diamond shape. The top icon has an upward arrow, the bottom has a downward arrow, the left has a leftward arrow, and the right has a rightward arrow.

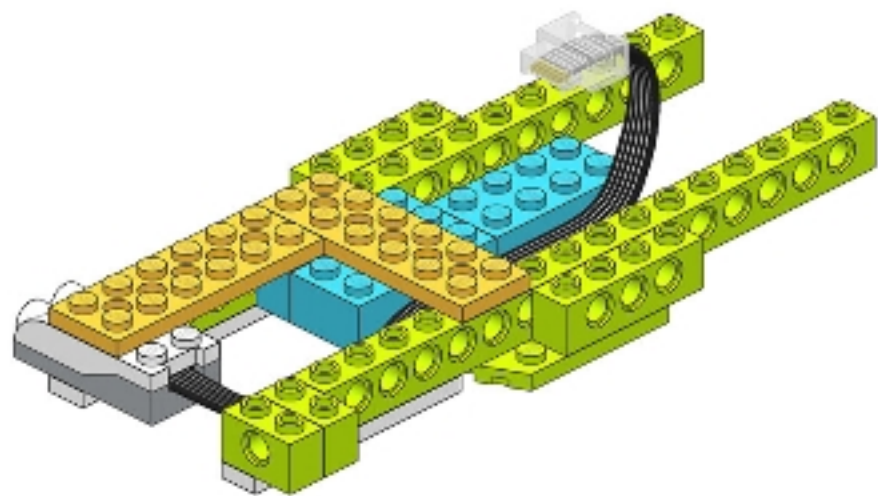


1x

16



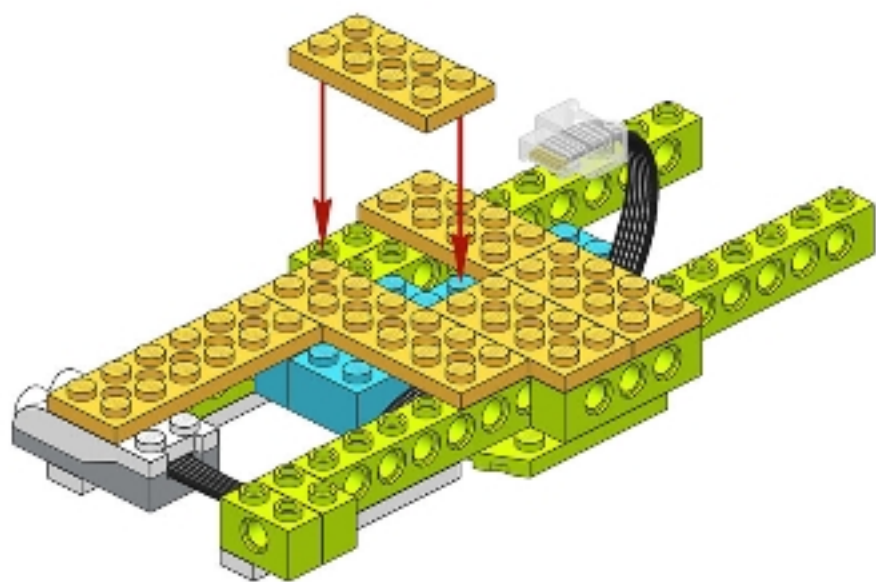
17

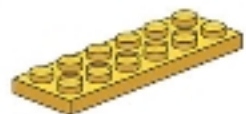




4x

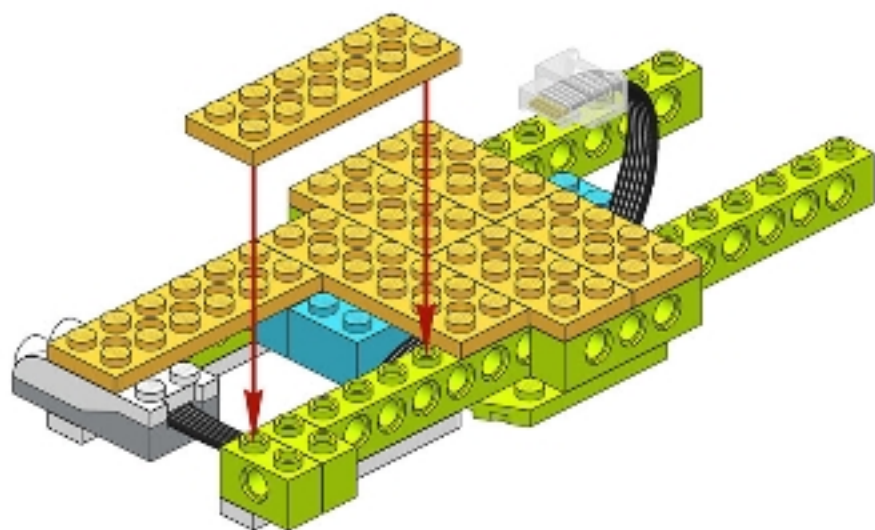
18

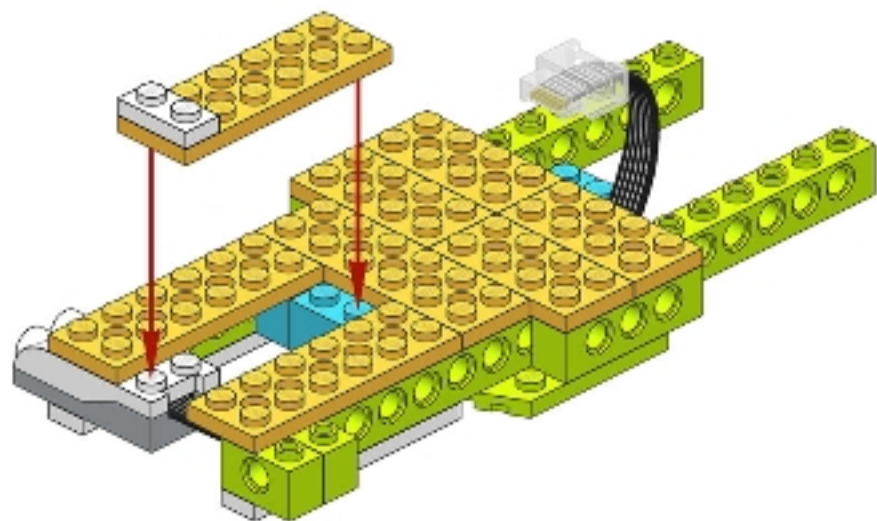




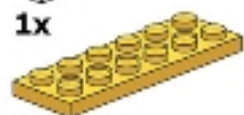
1x

19





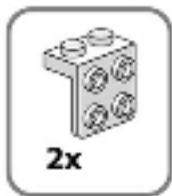
1x



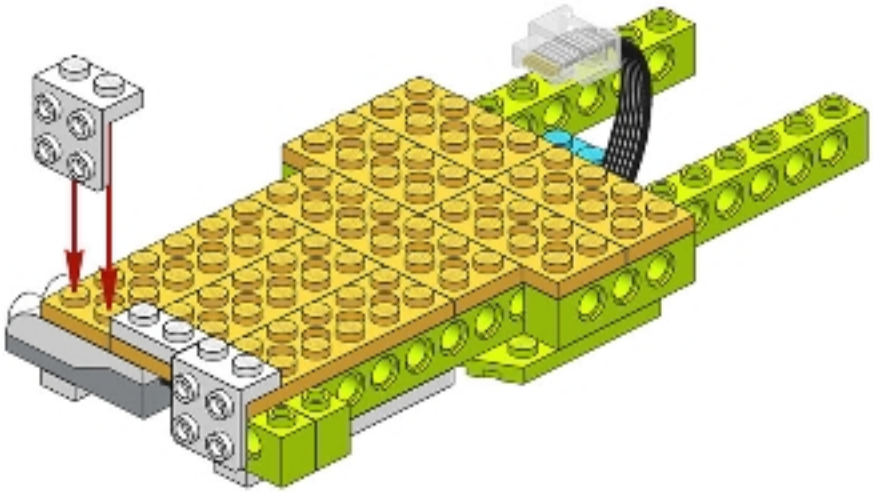
1x

20





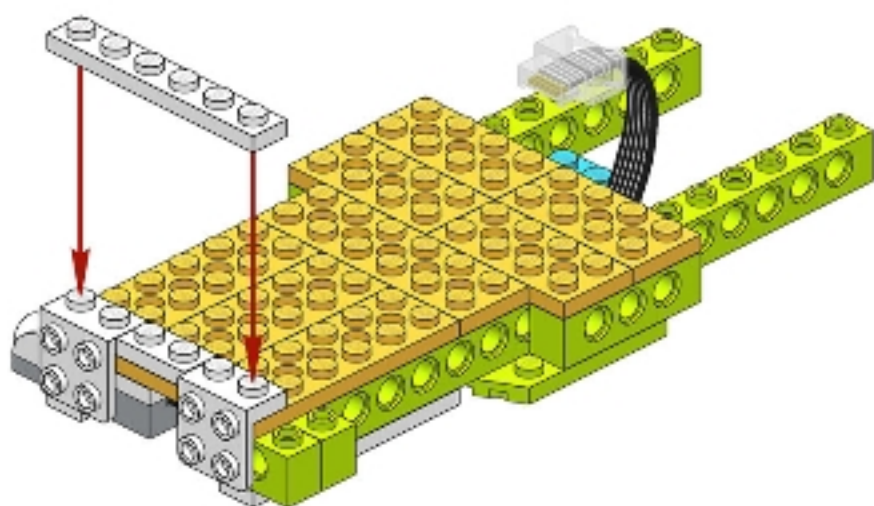
21



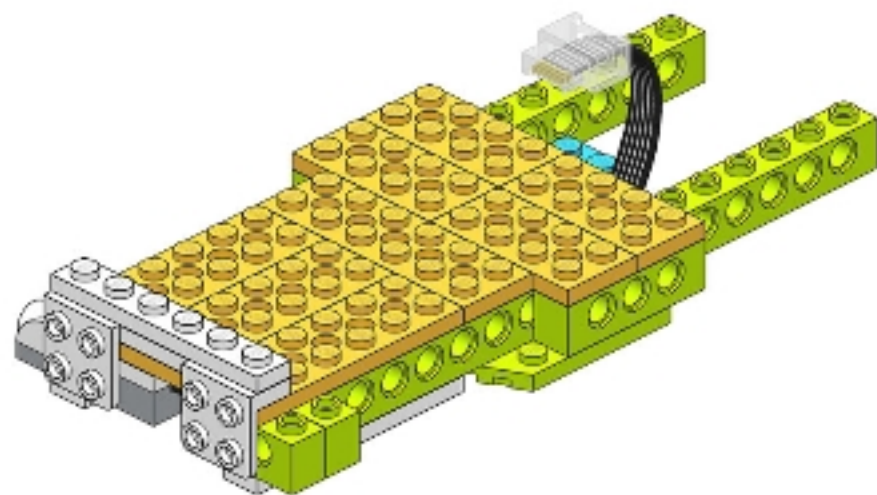


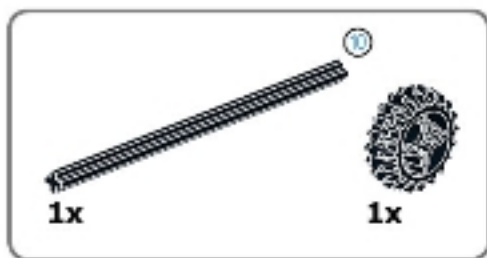
1x

22

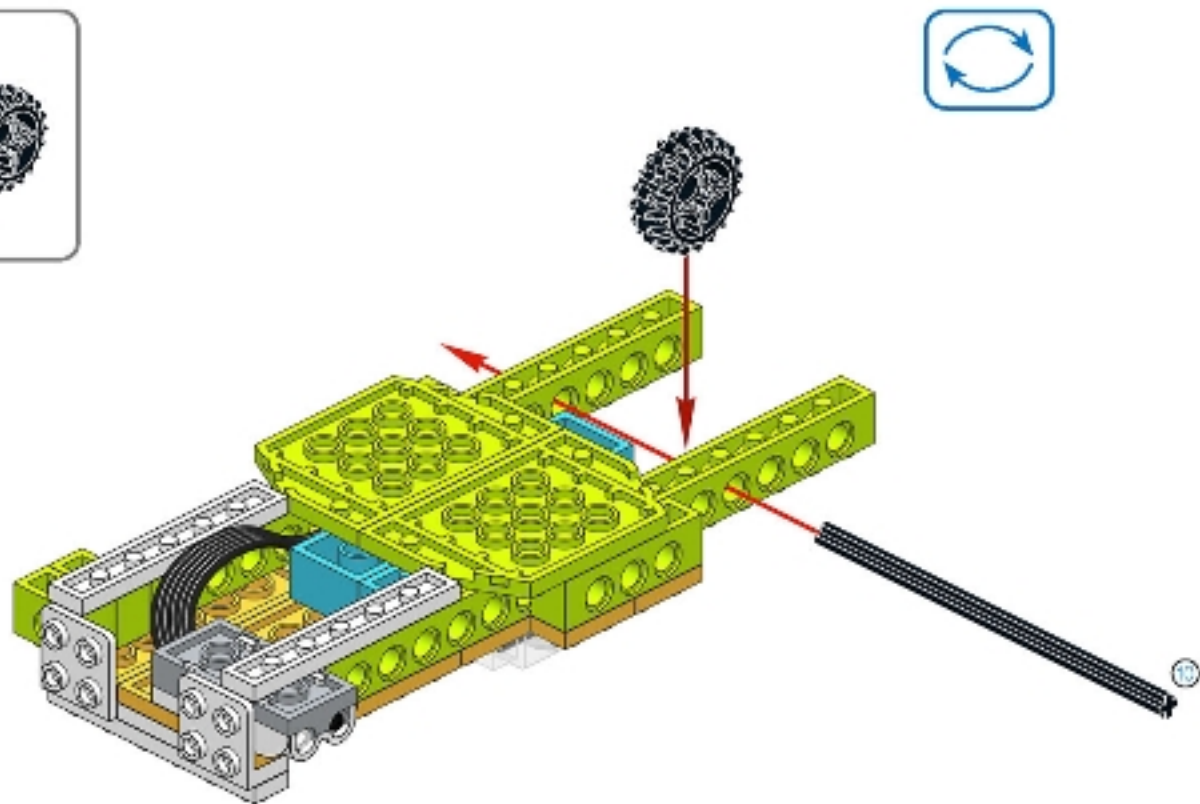


23



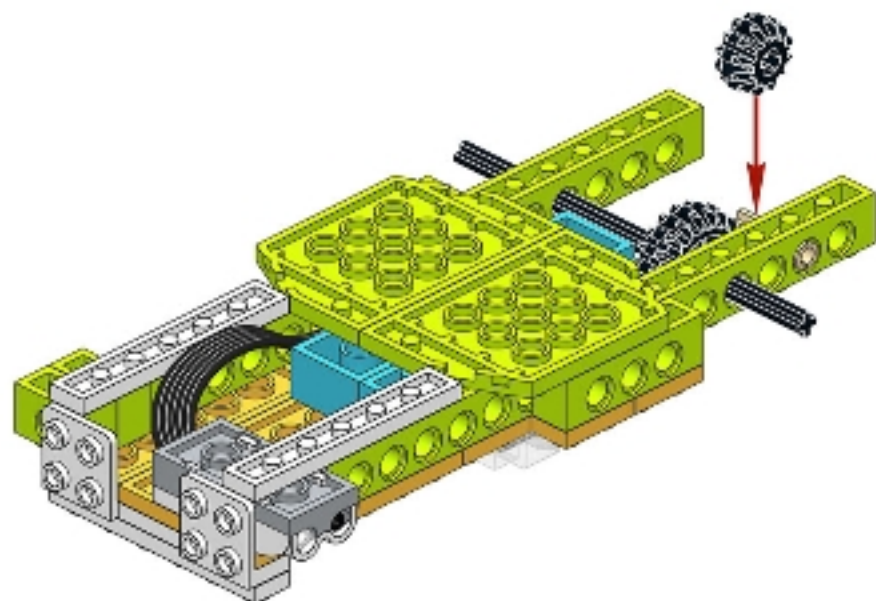


24





26



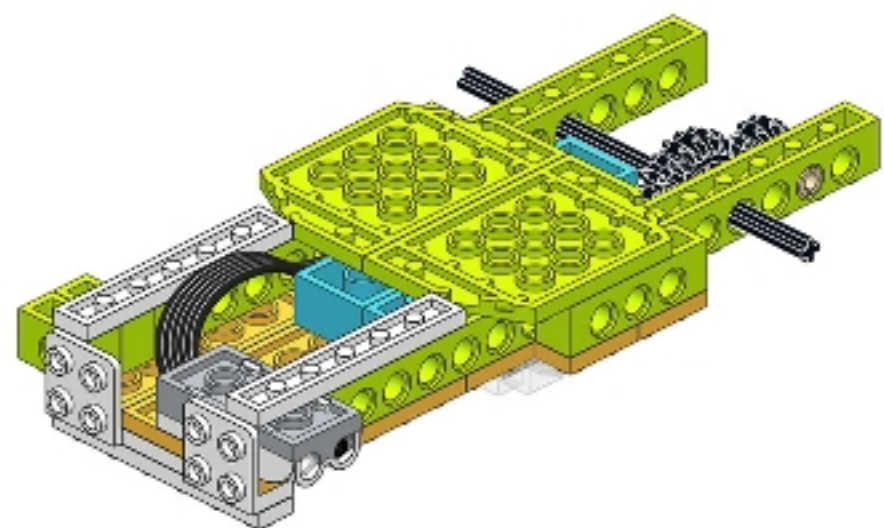
26/79



52



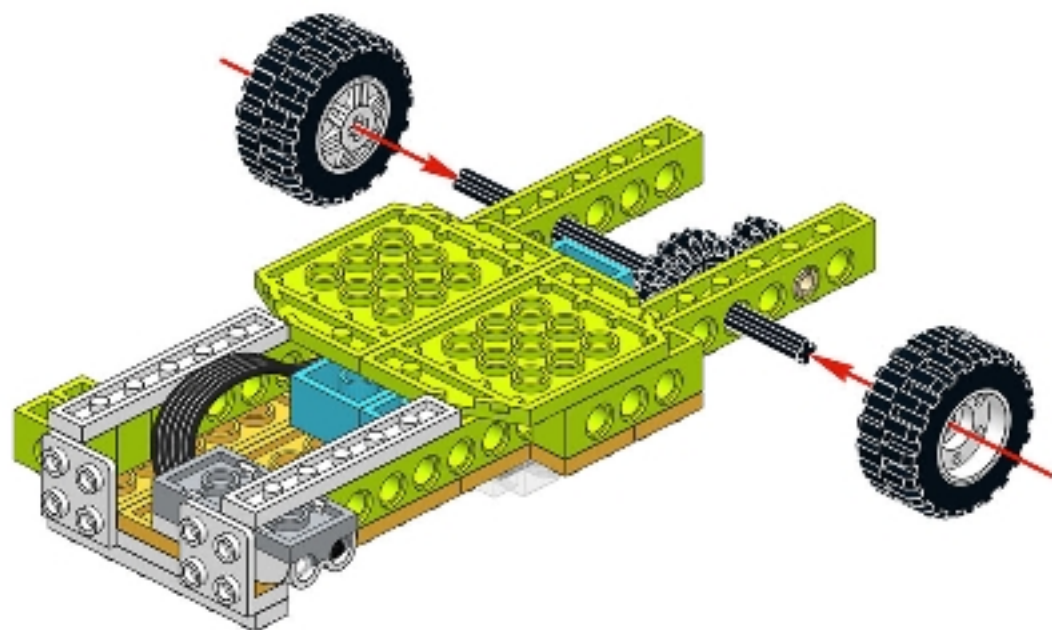
27





2x

28

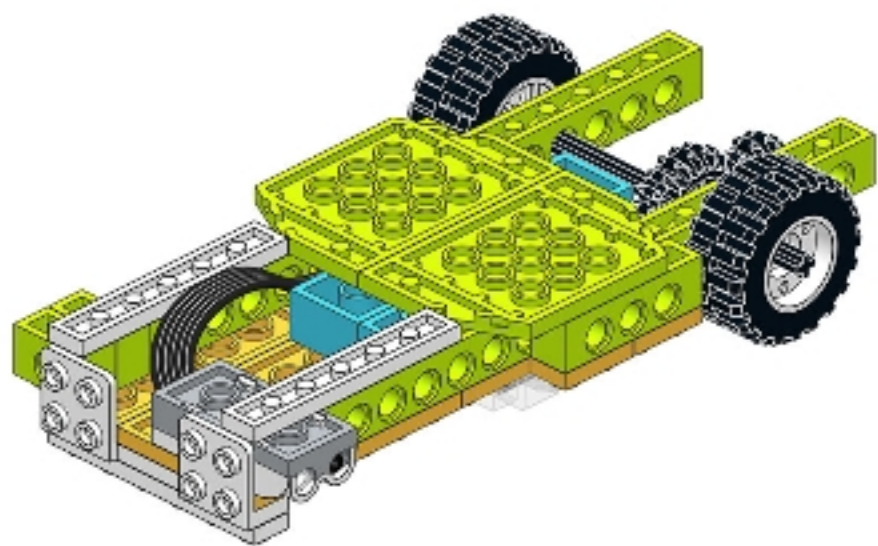


28/79

0

54

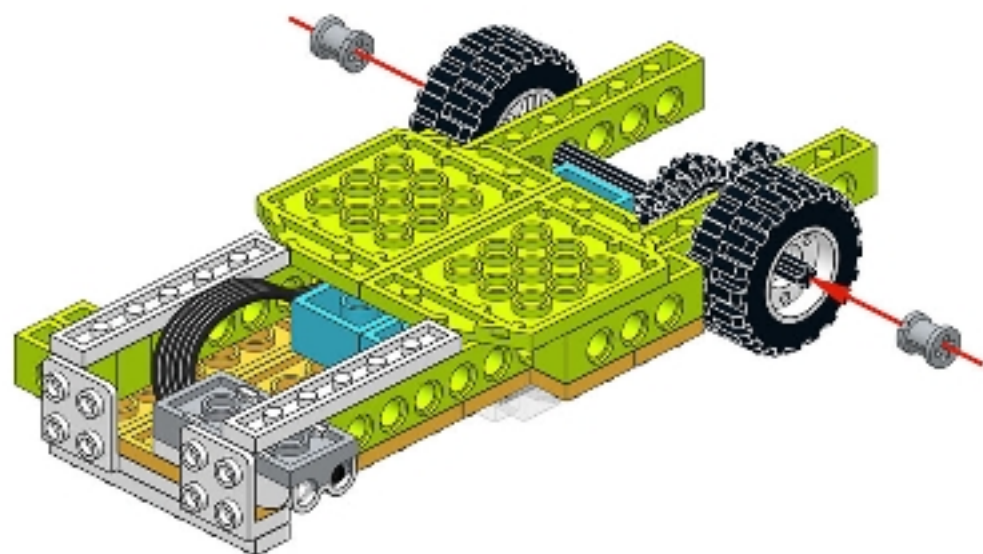






2x

30



30/79

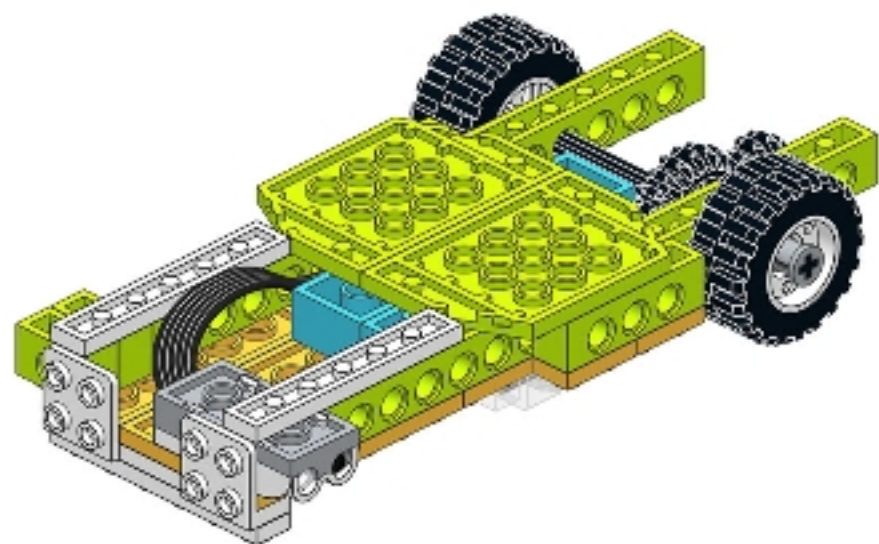


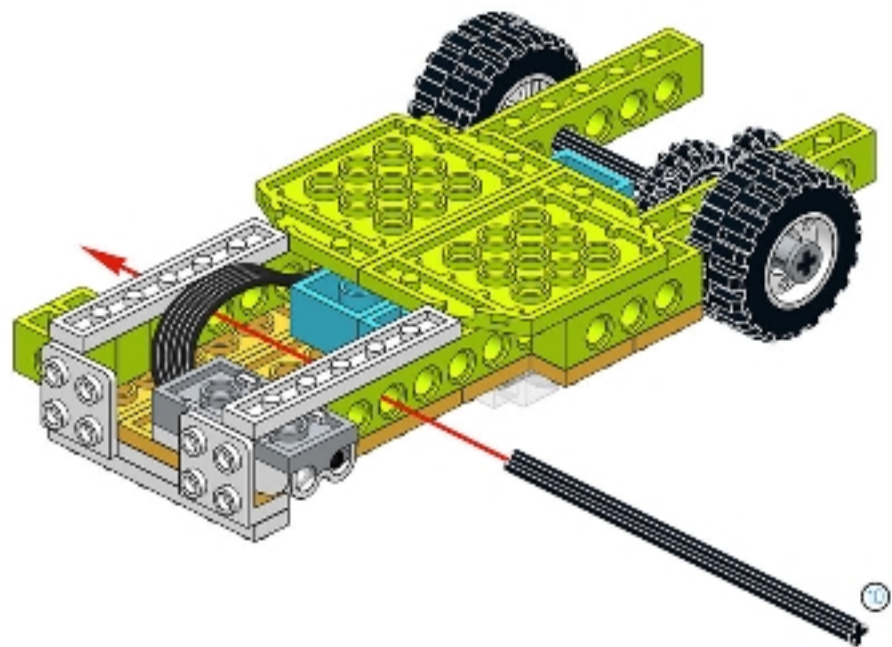
0

56



31





1x

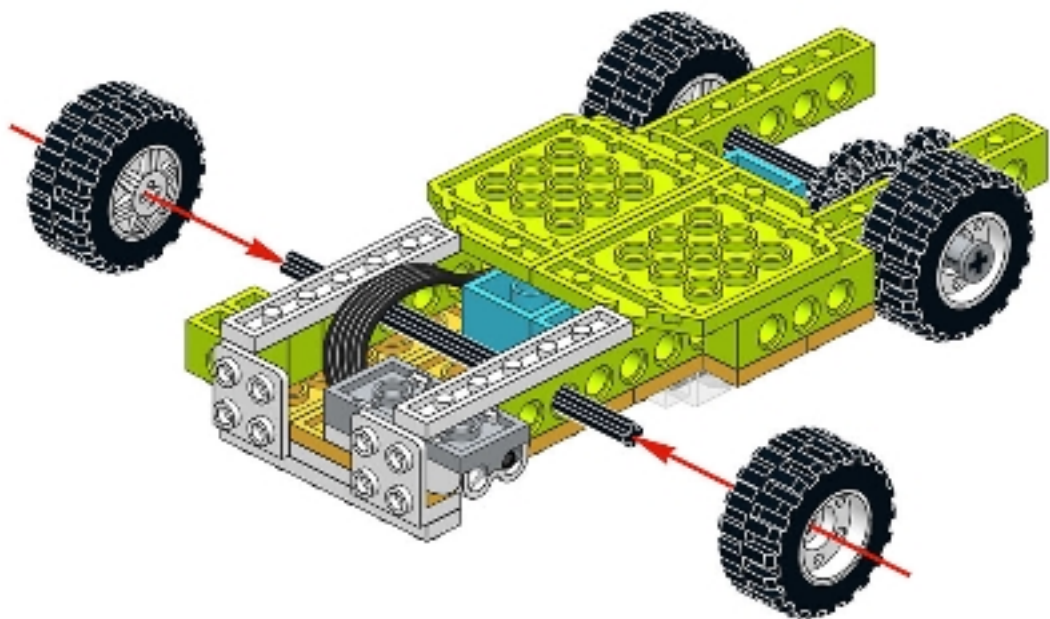
32





2x

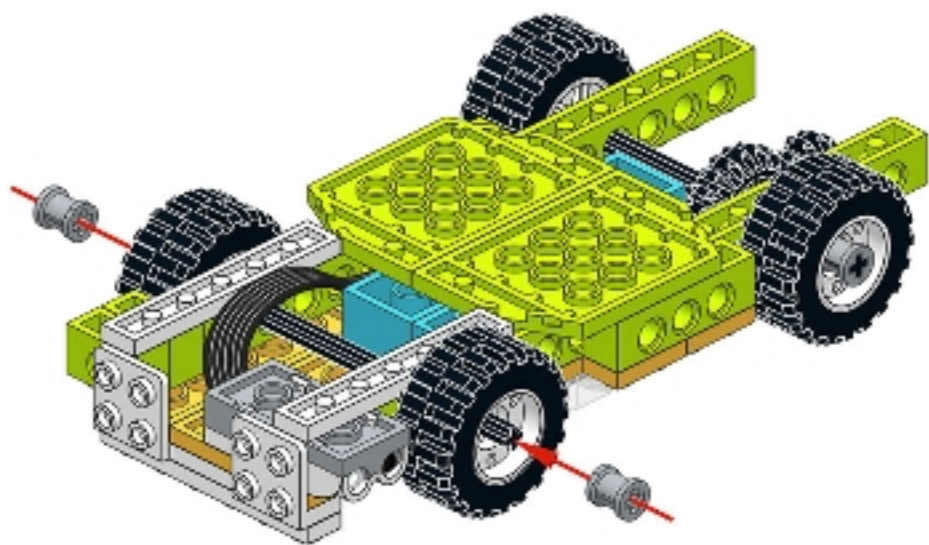
33





2x

34



34/79

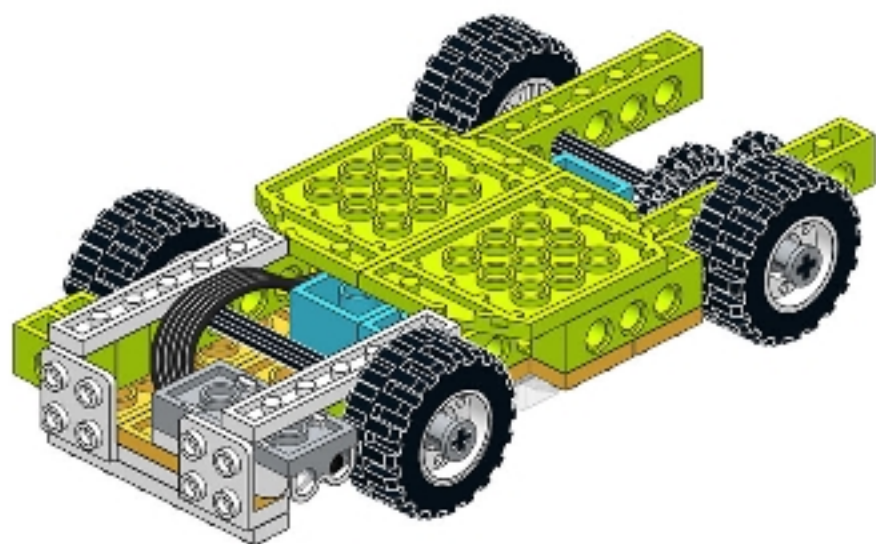


0

60

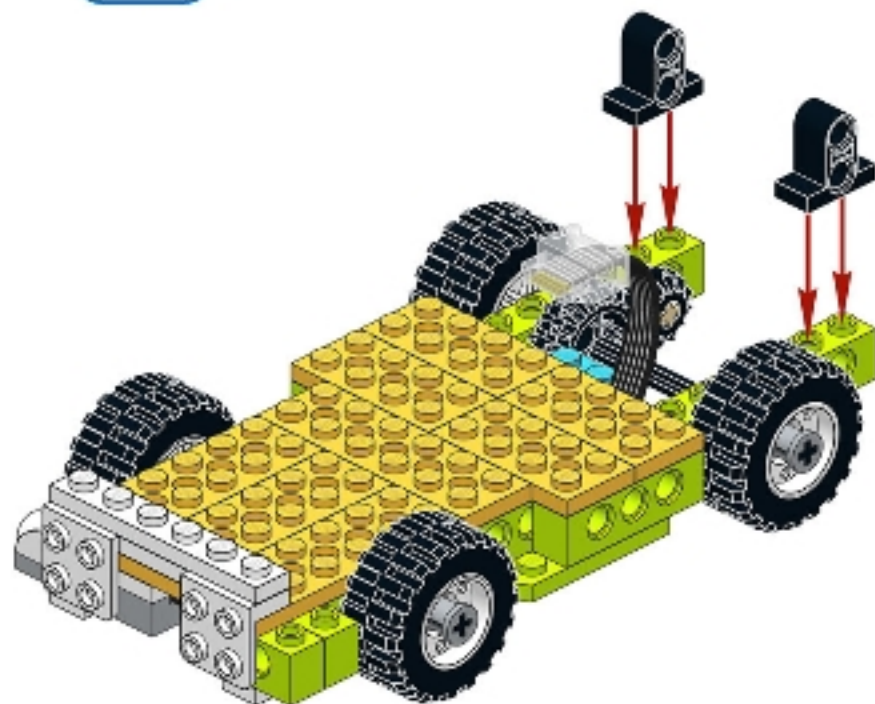


35





2x



36/79



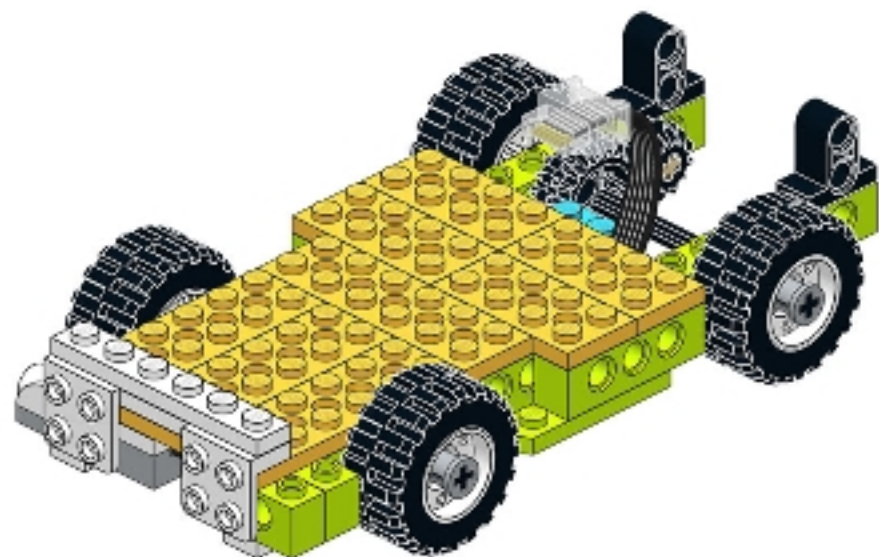
0



62



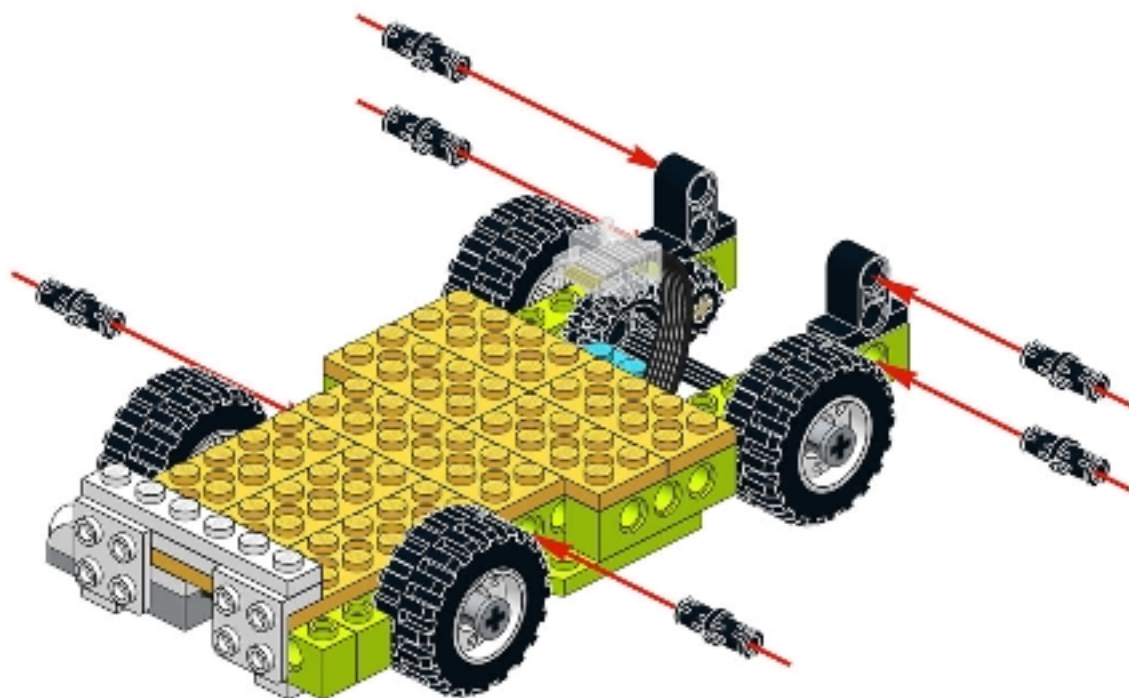
37





6x

38

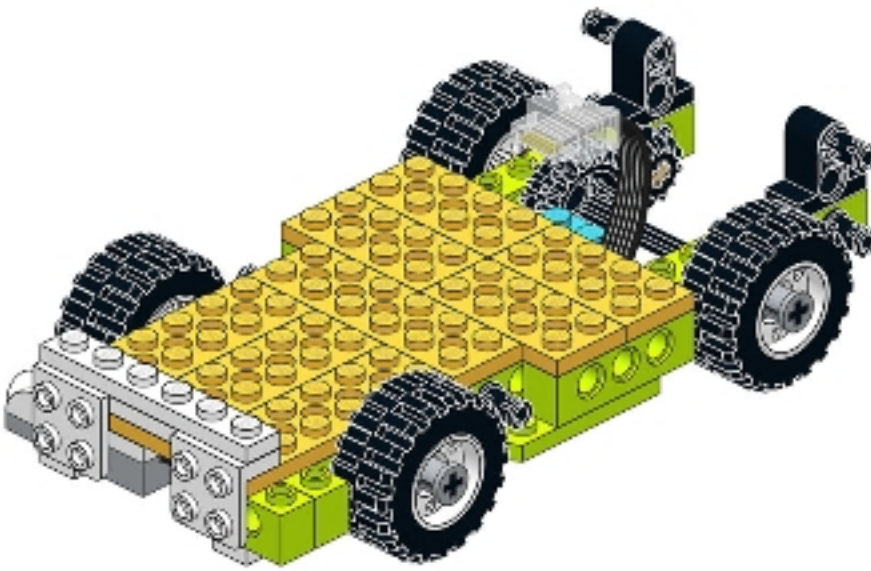


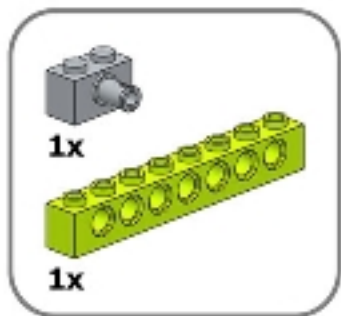
38/79

0

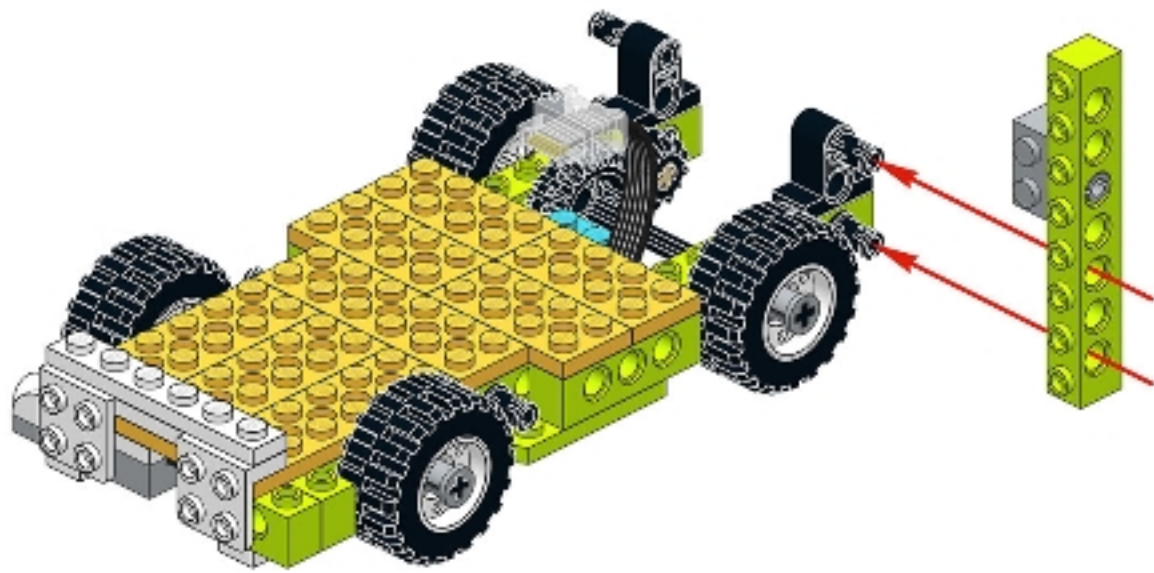
64



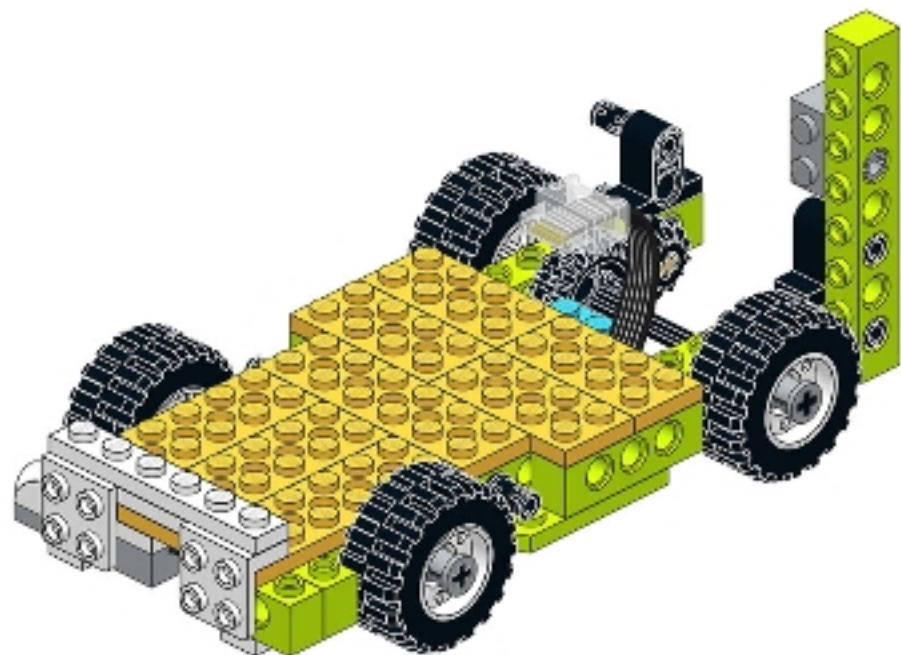


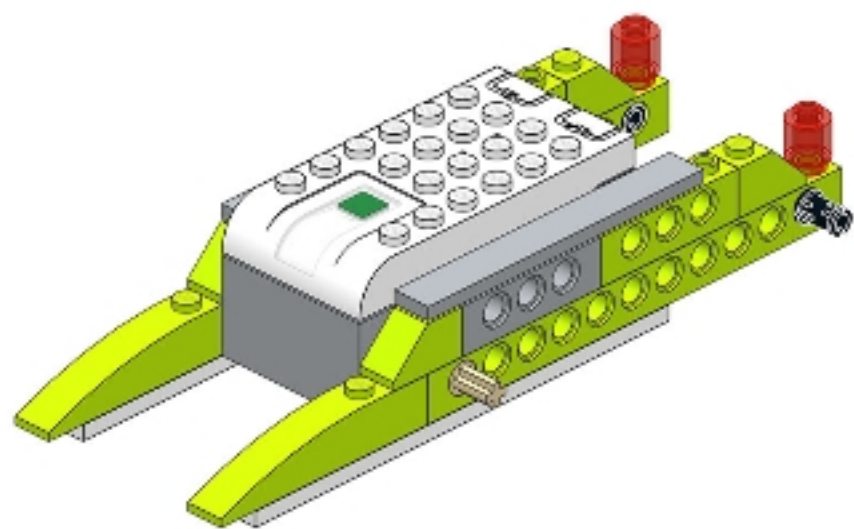


40



41





42/79



0

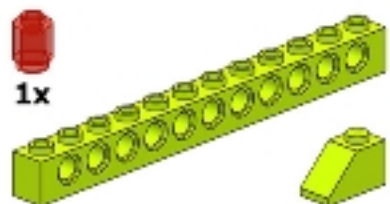


68





1x

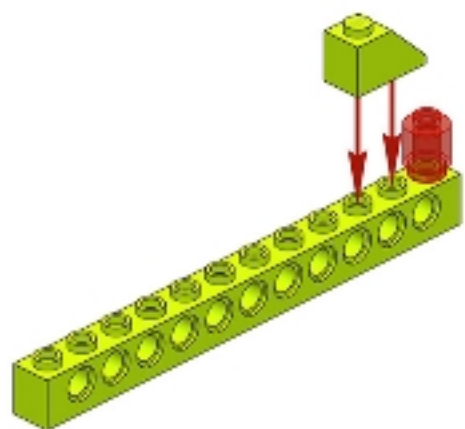


1x



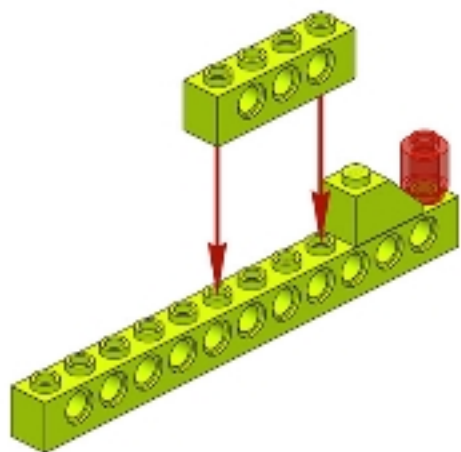
1x

1

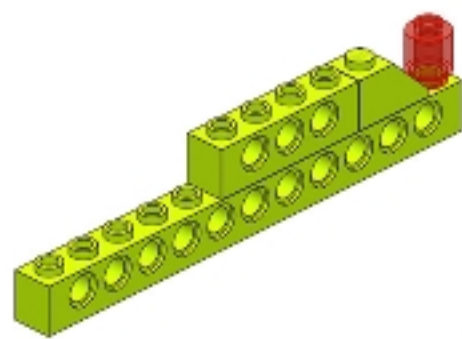


1x

2

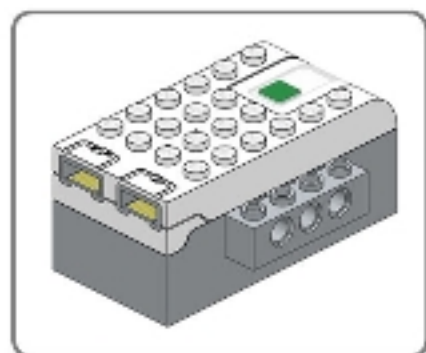


3

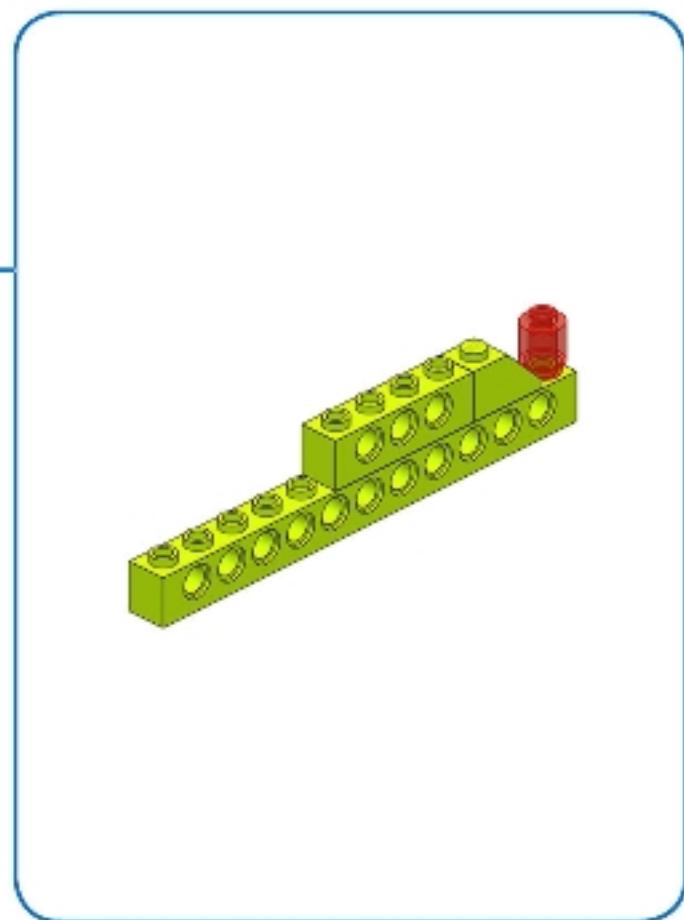
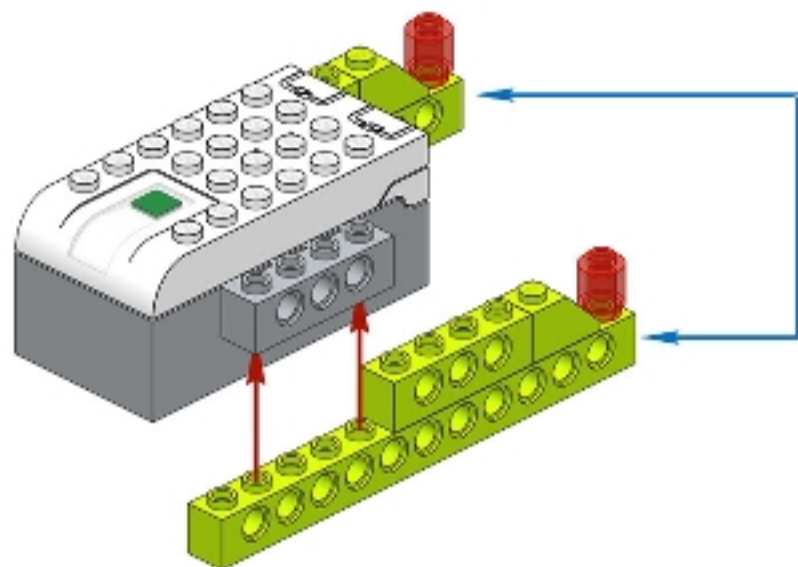


2x

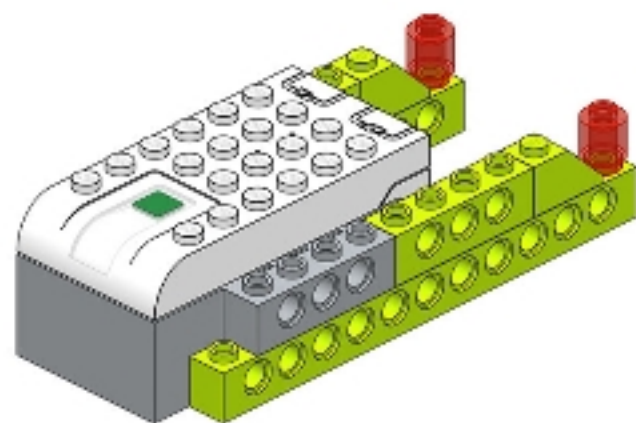




44



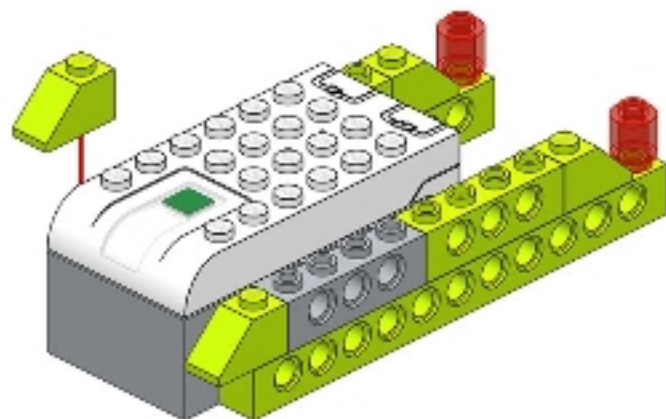
45

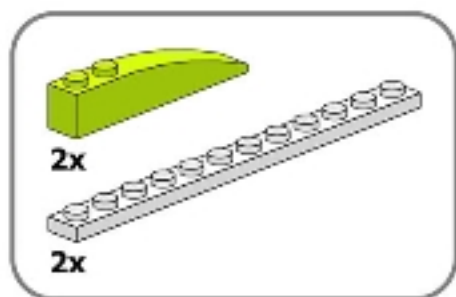




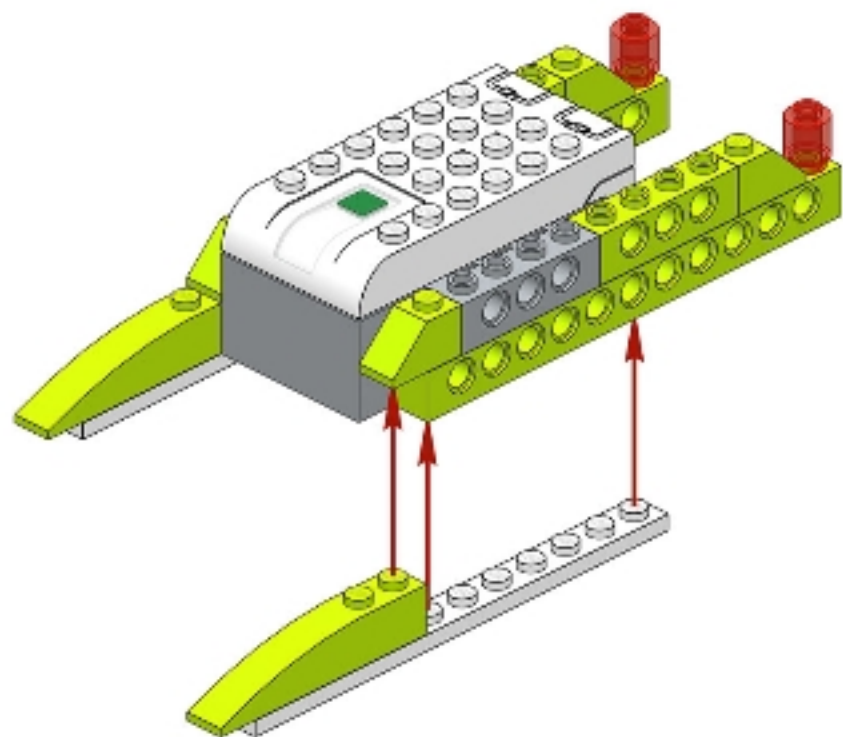
2x

46

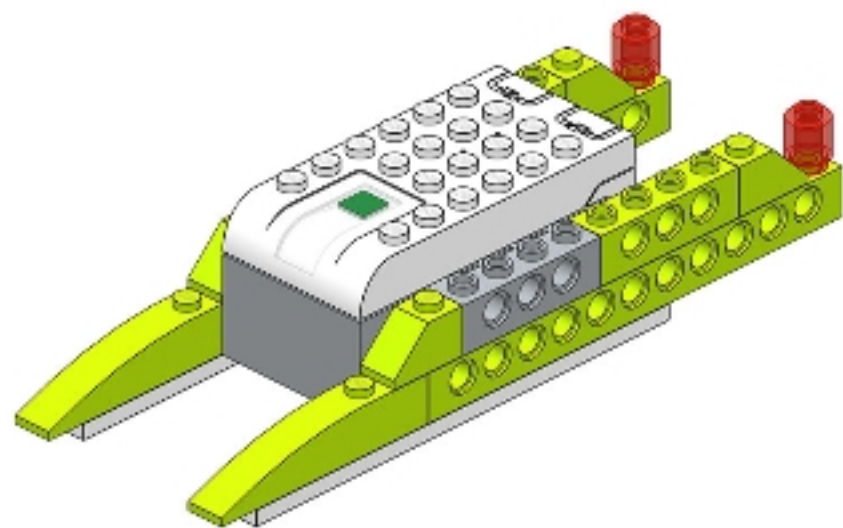


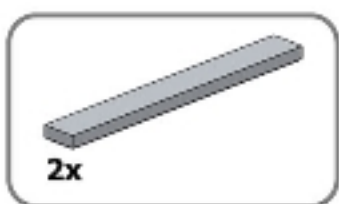


47

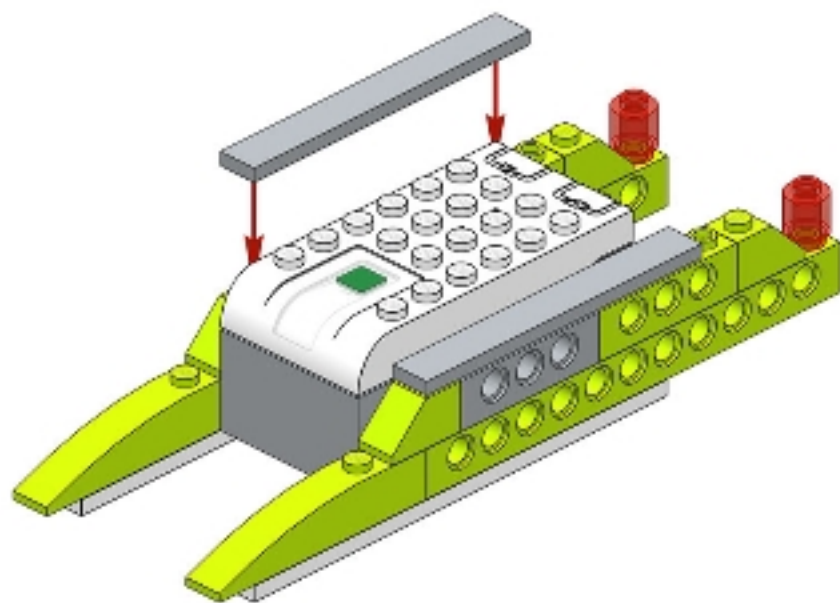


48





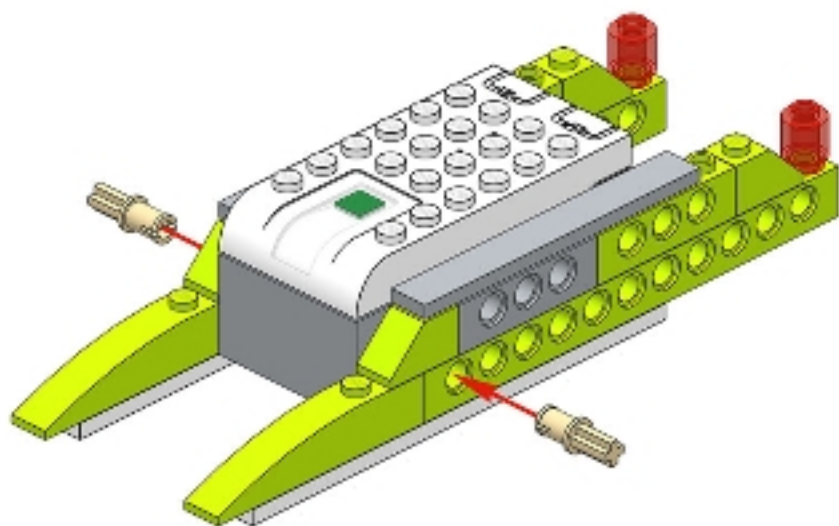
49





2x

50



50/79



0

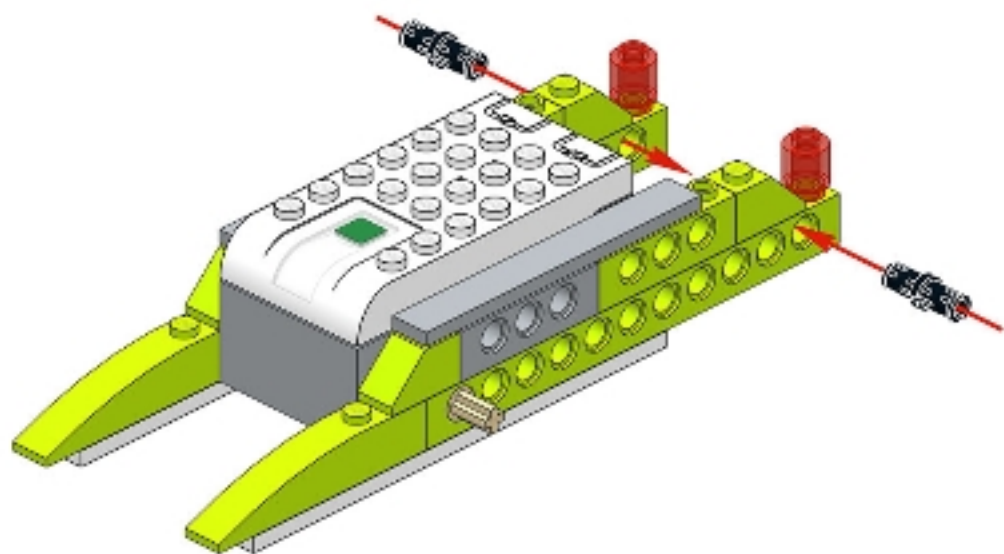
76





2x

51



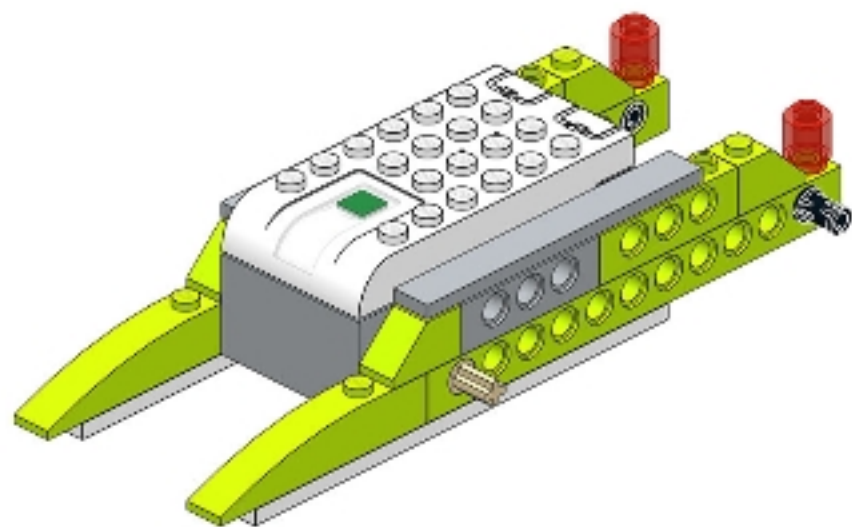
51/79

0

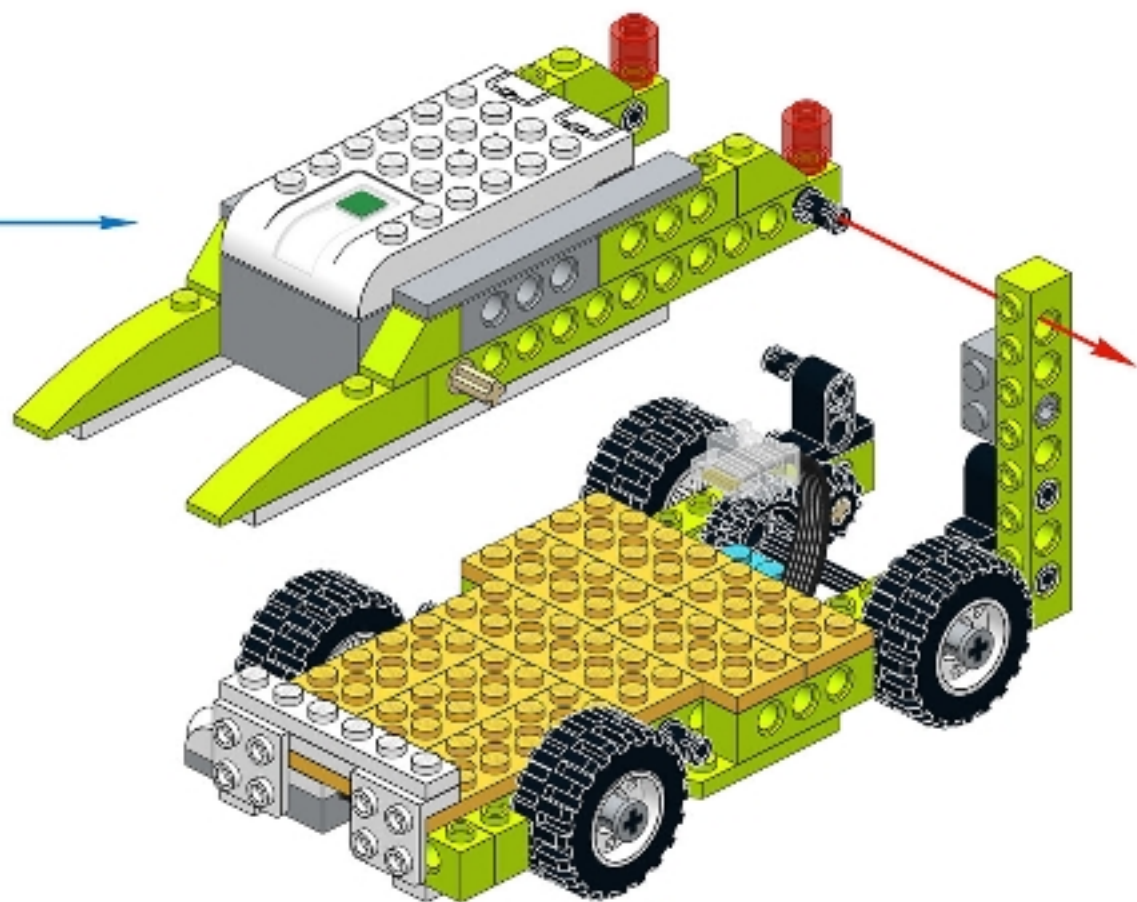
77



52



53

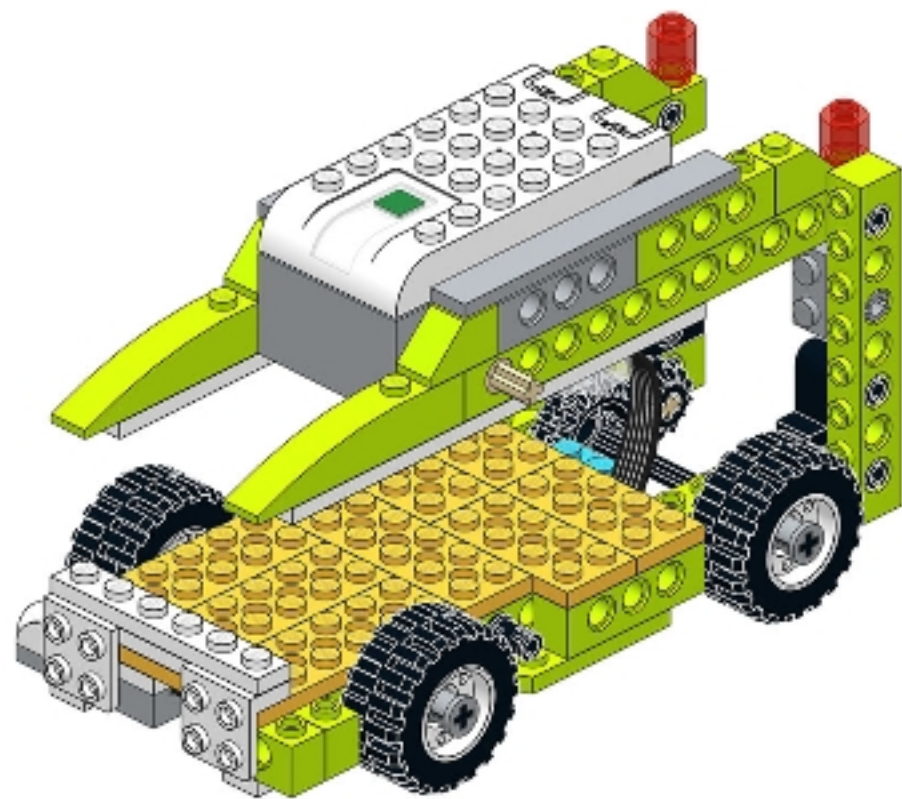


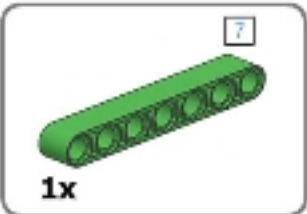
53/79



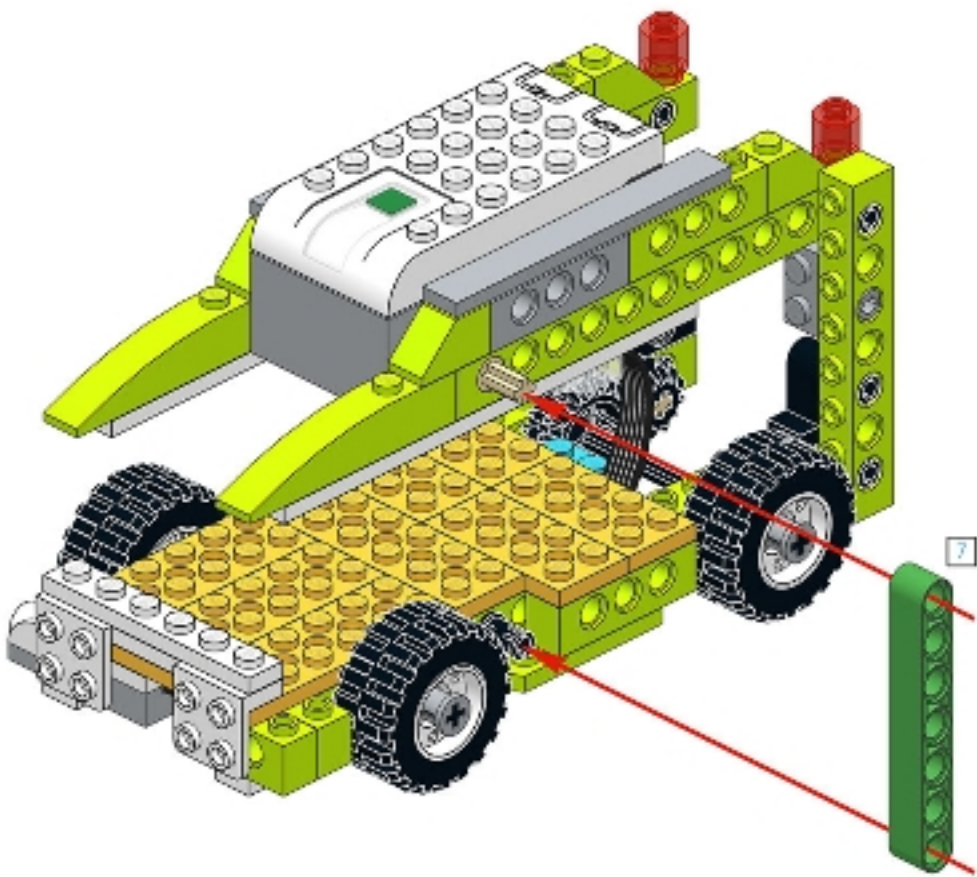
79







55

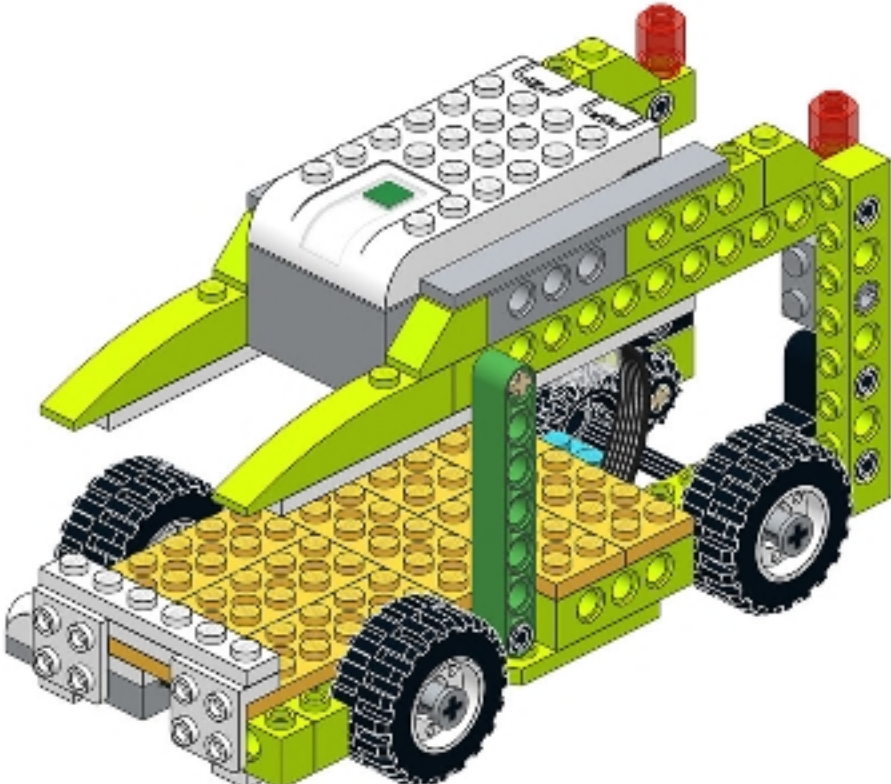


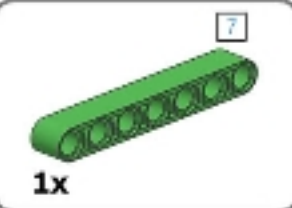
55/79



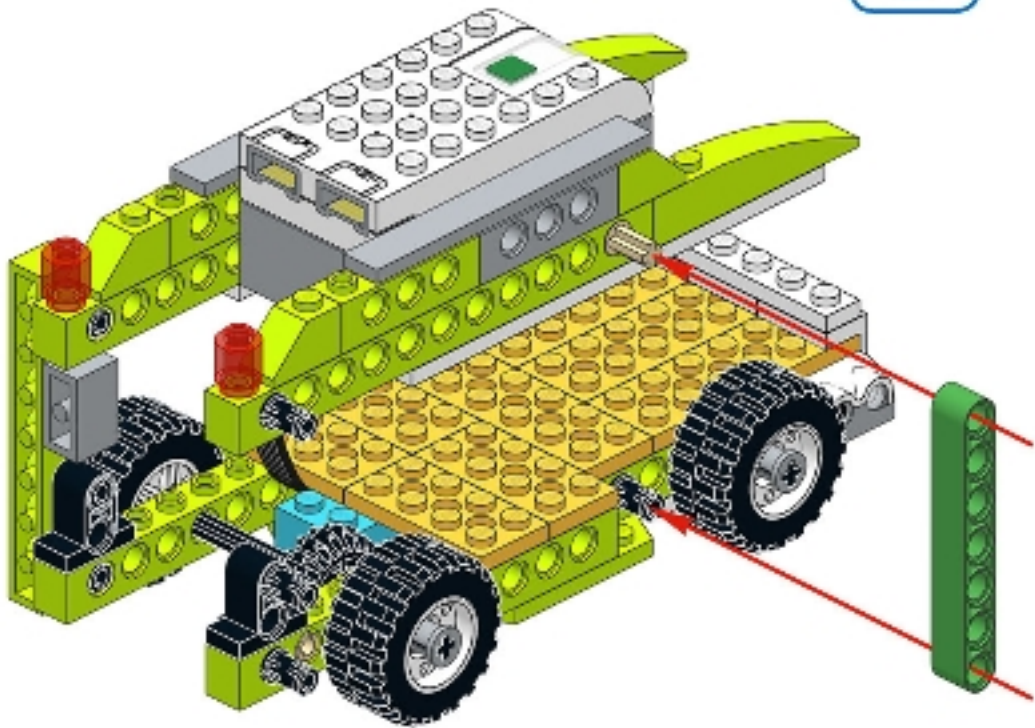
81



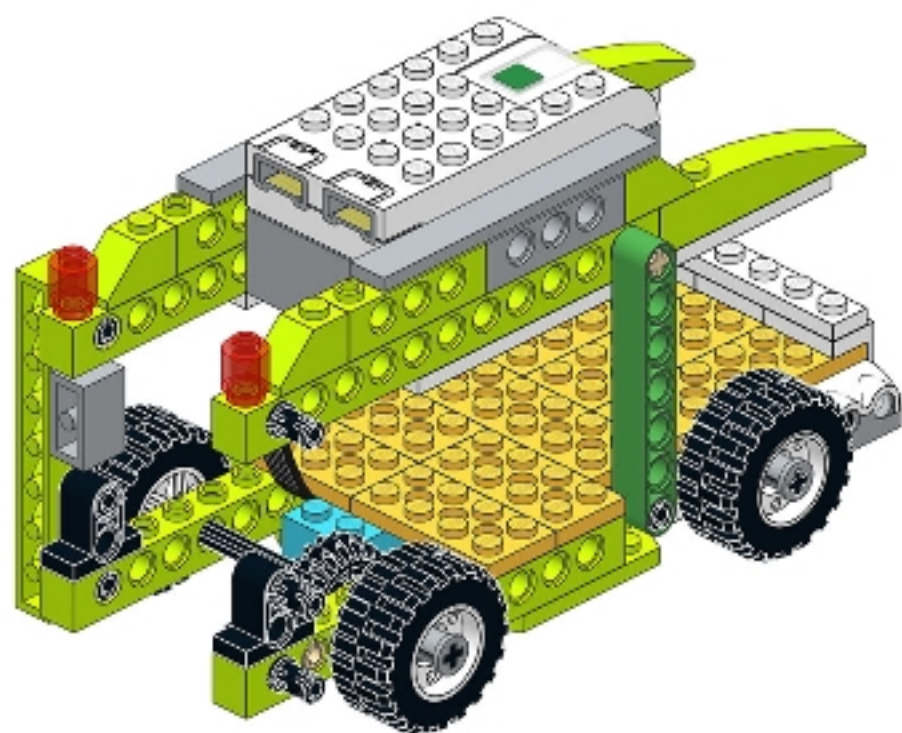




57



58



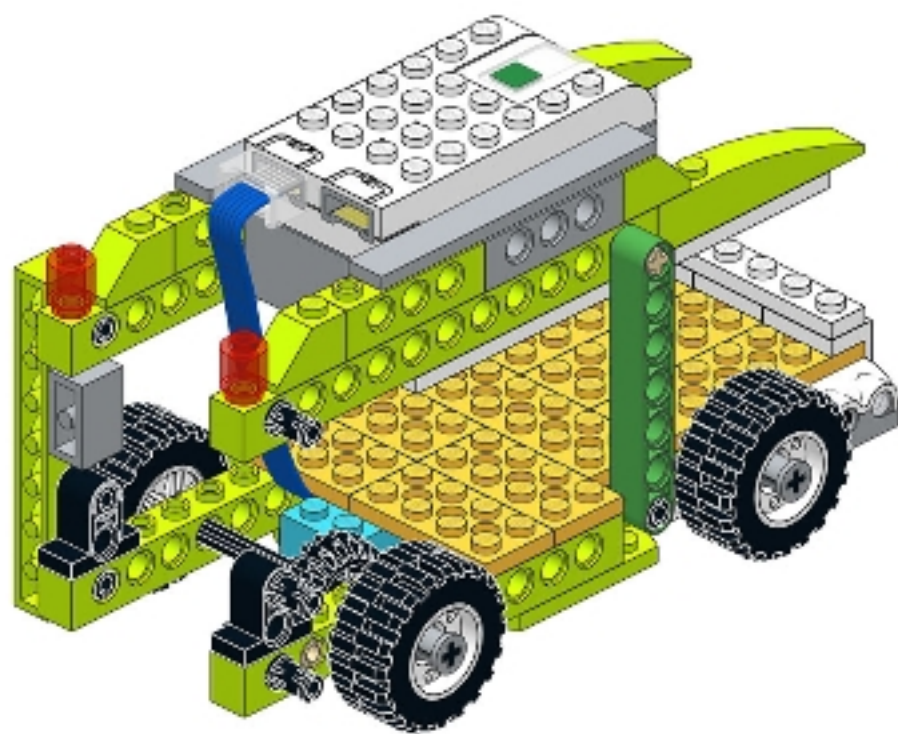
58/79

0

84

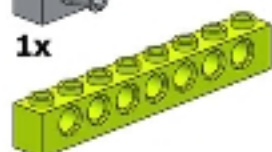


59



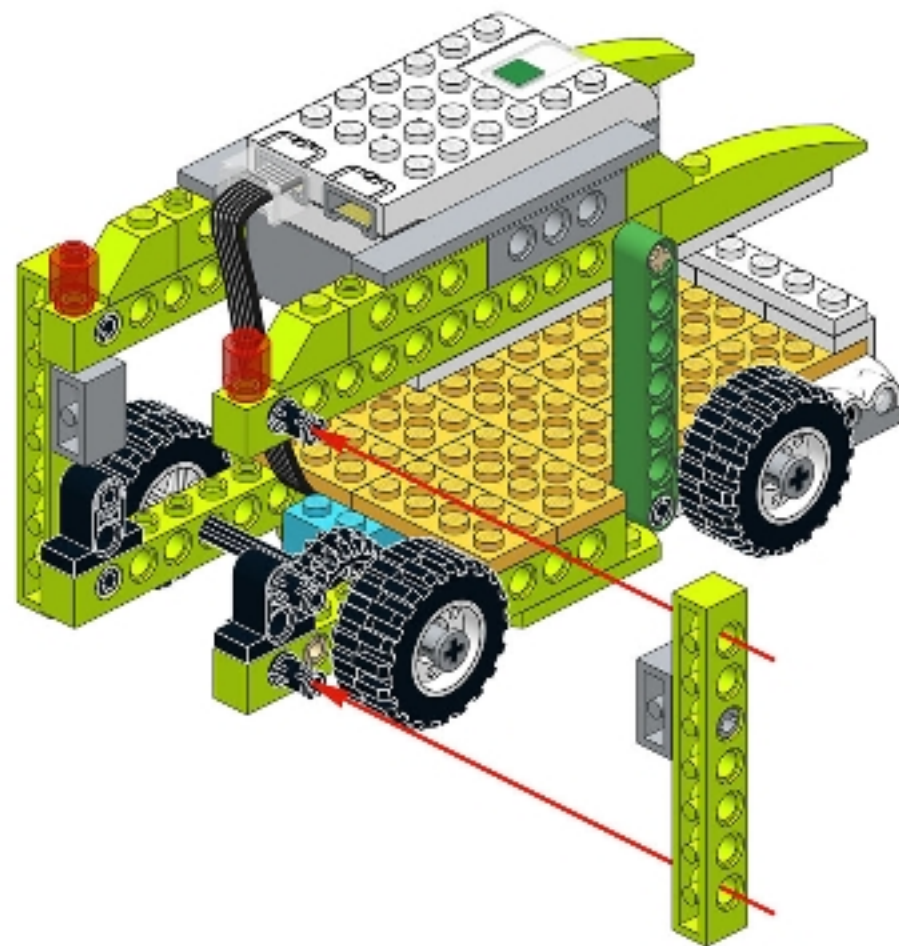


1x

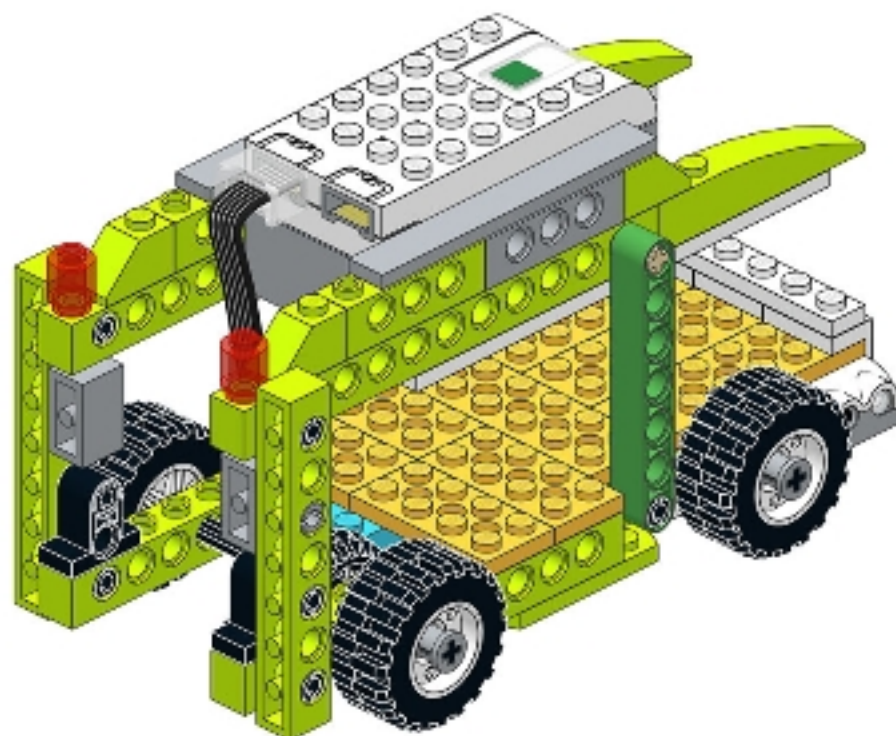


1x

60



61



61/79

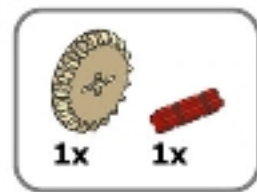
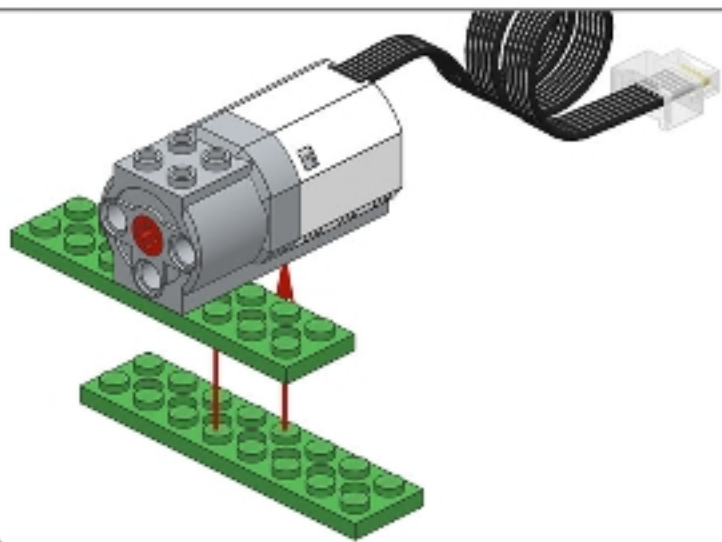


87

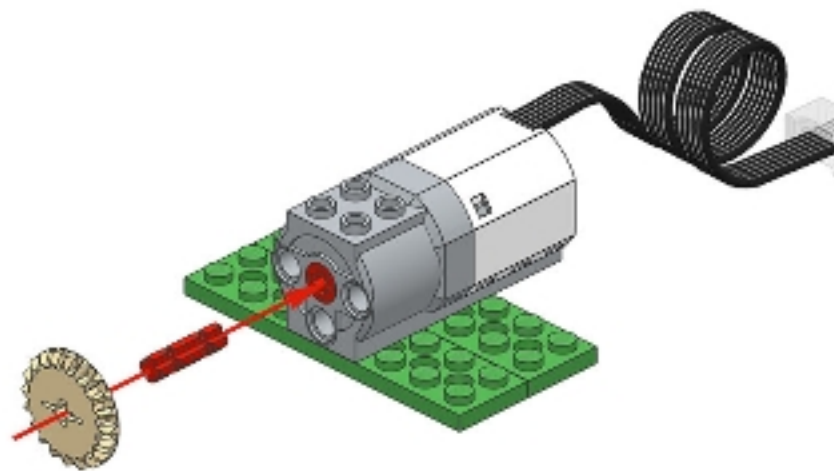




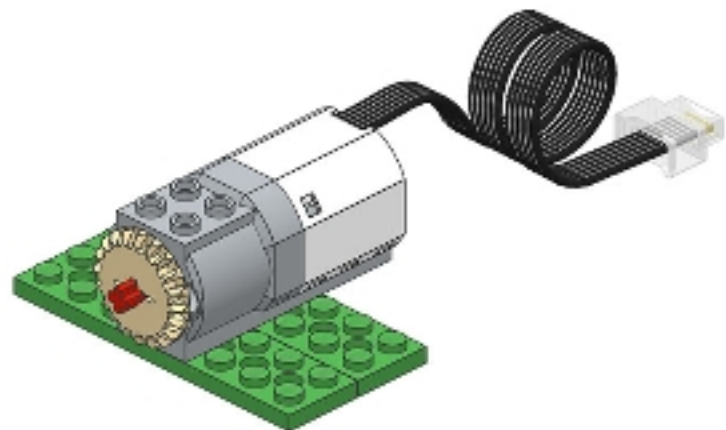
1



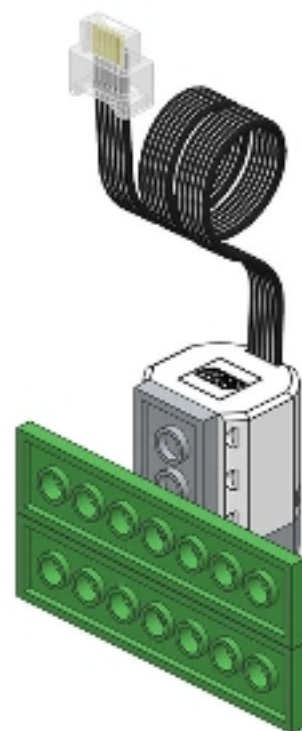
2



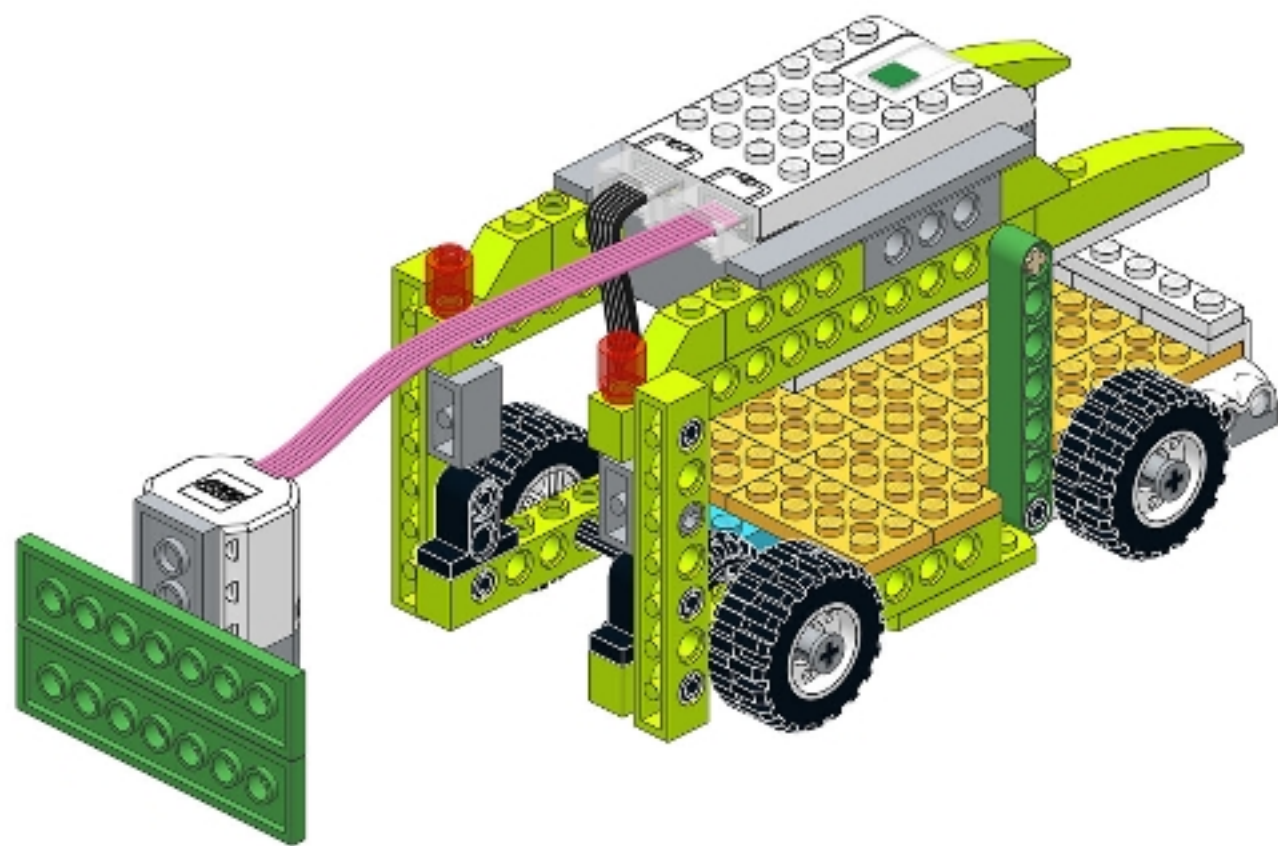
3



4



64



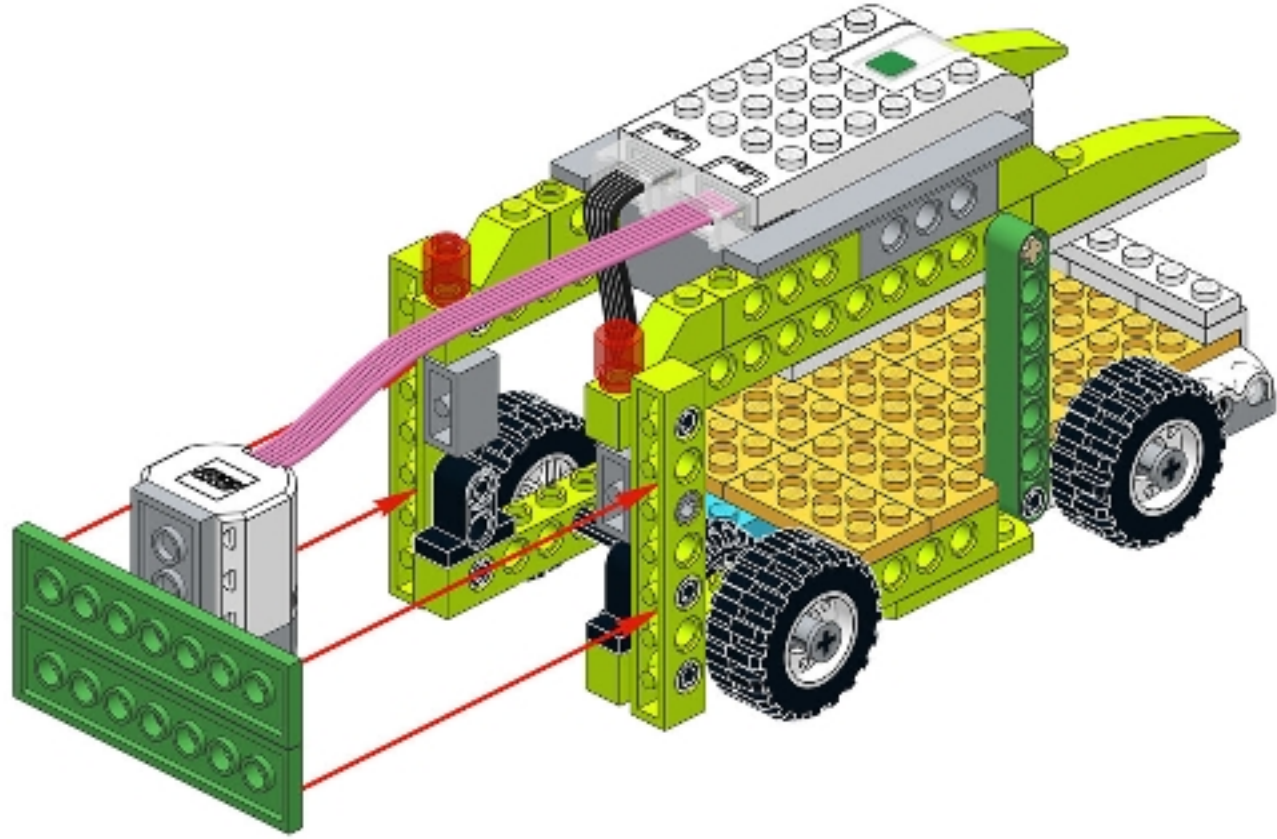
64/79



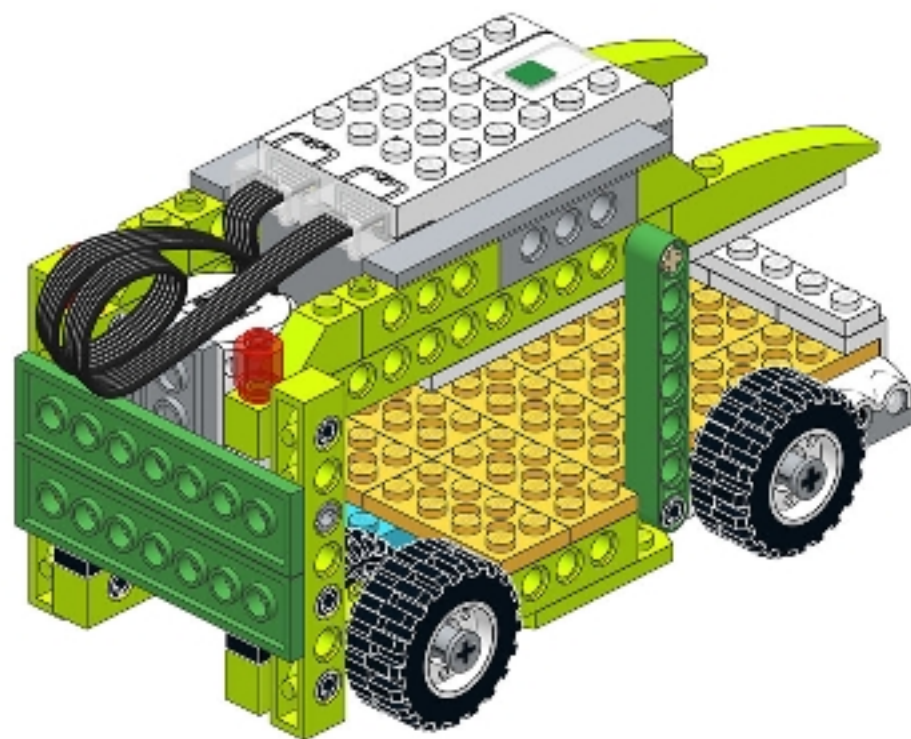
90



65



66

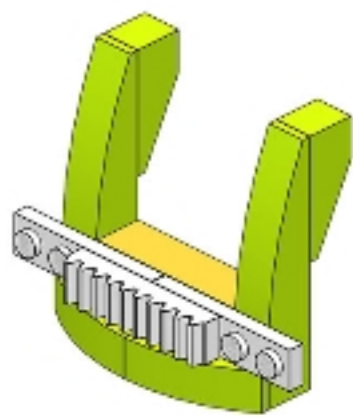


66/79

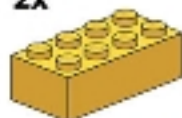


92



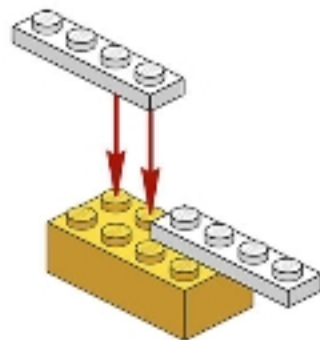


2x



1x

67



67/79

0

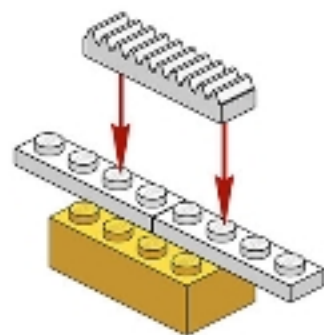
93





1x

68



68/79



0

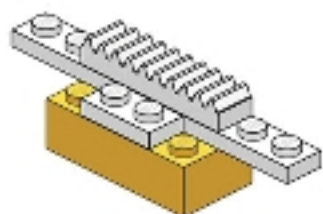
94





1x

69



69/79



0



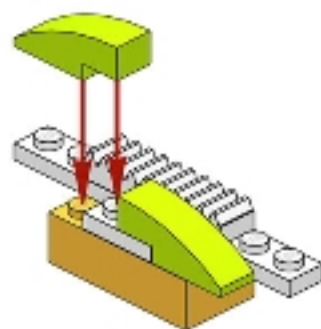
95





2x

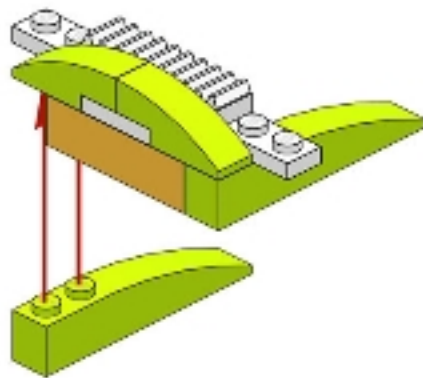
70





2x

71



71/79



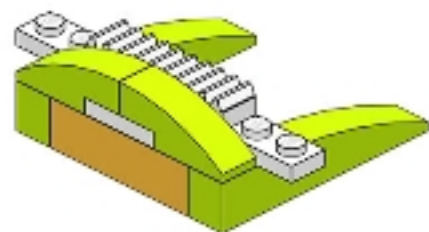
0



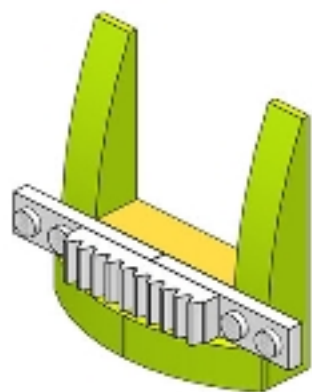
97



72



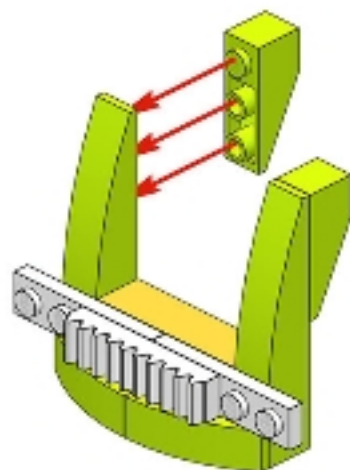
73



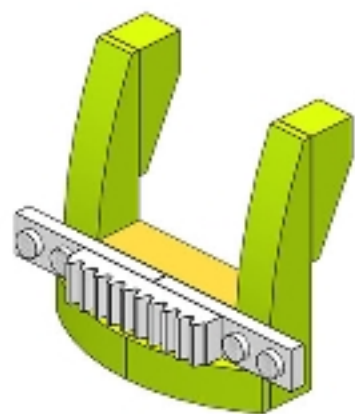


2x

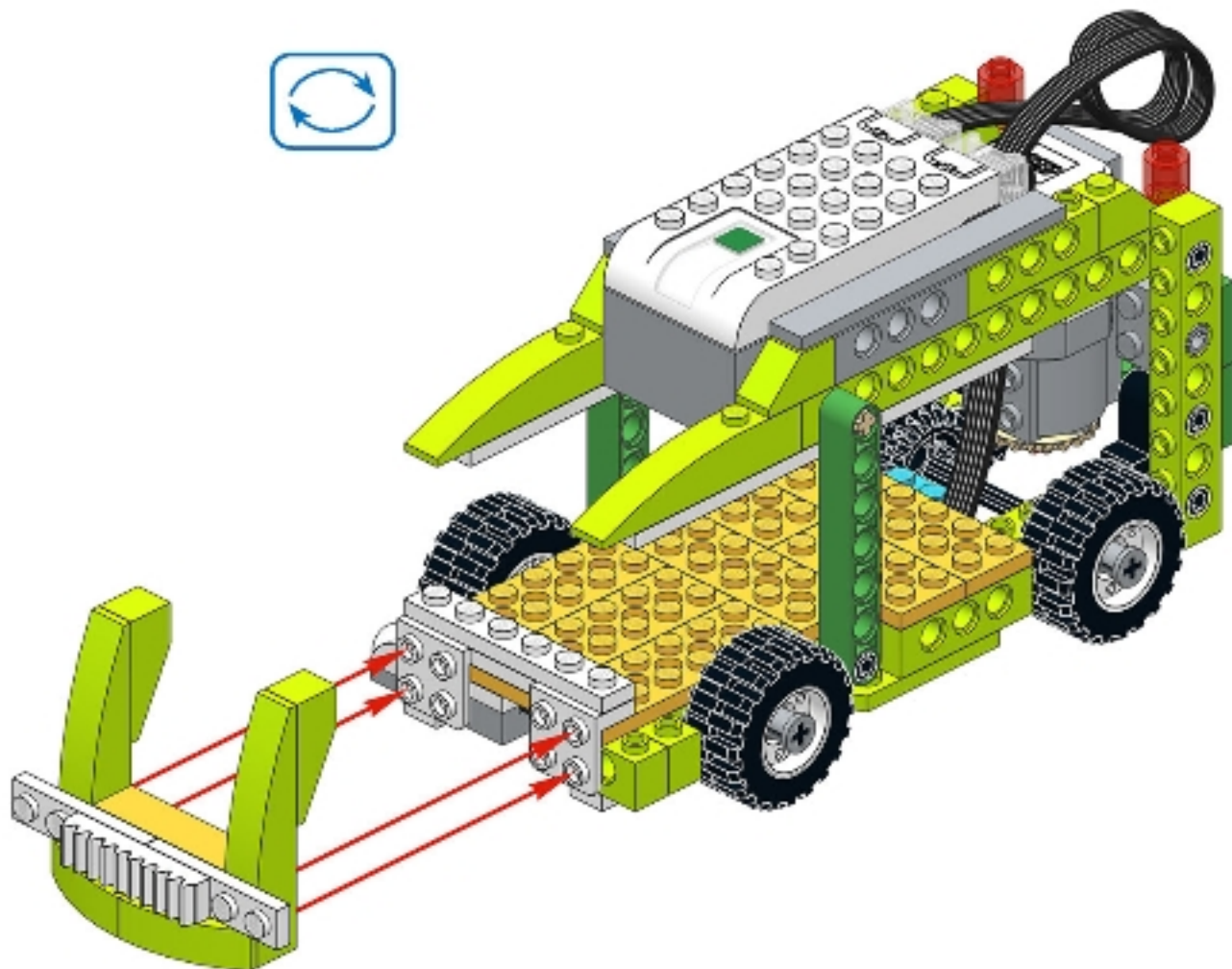
74



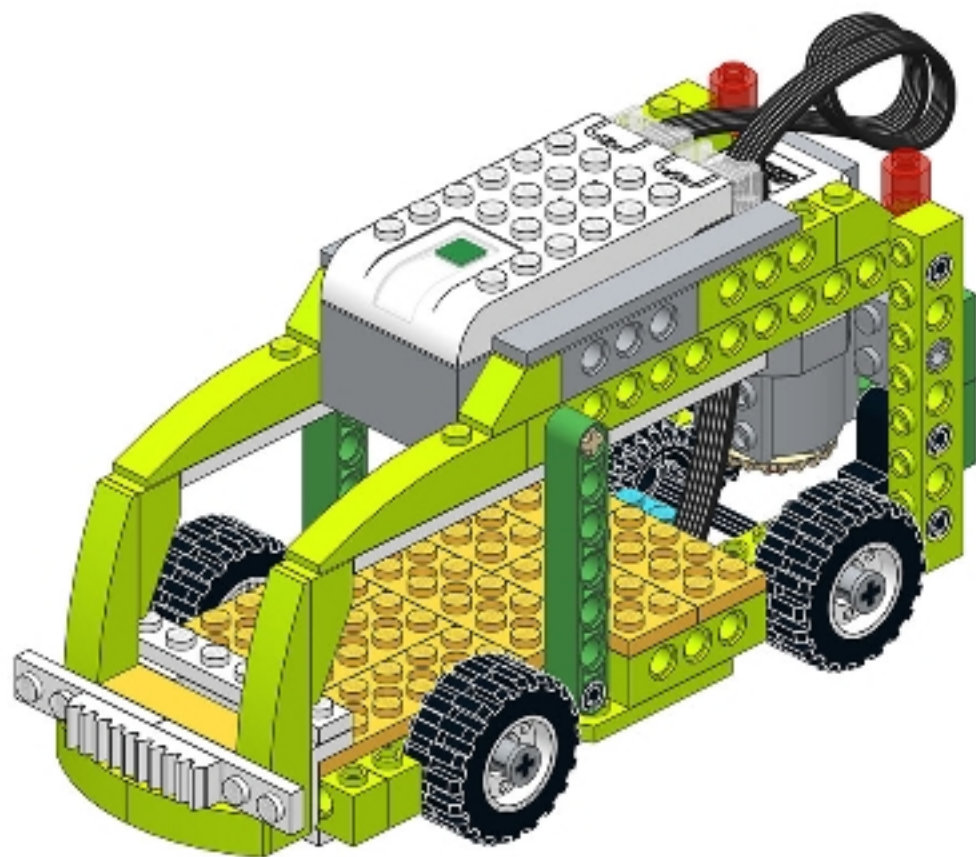
75

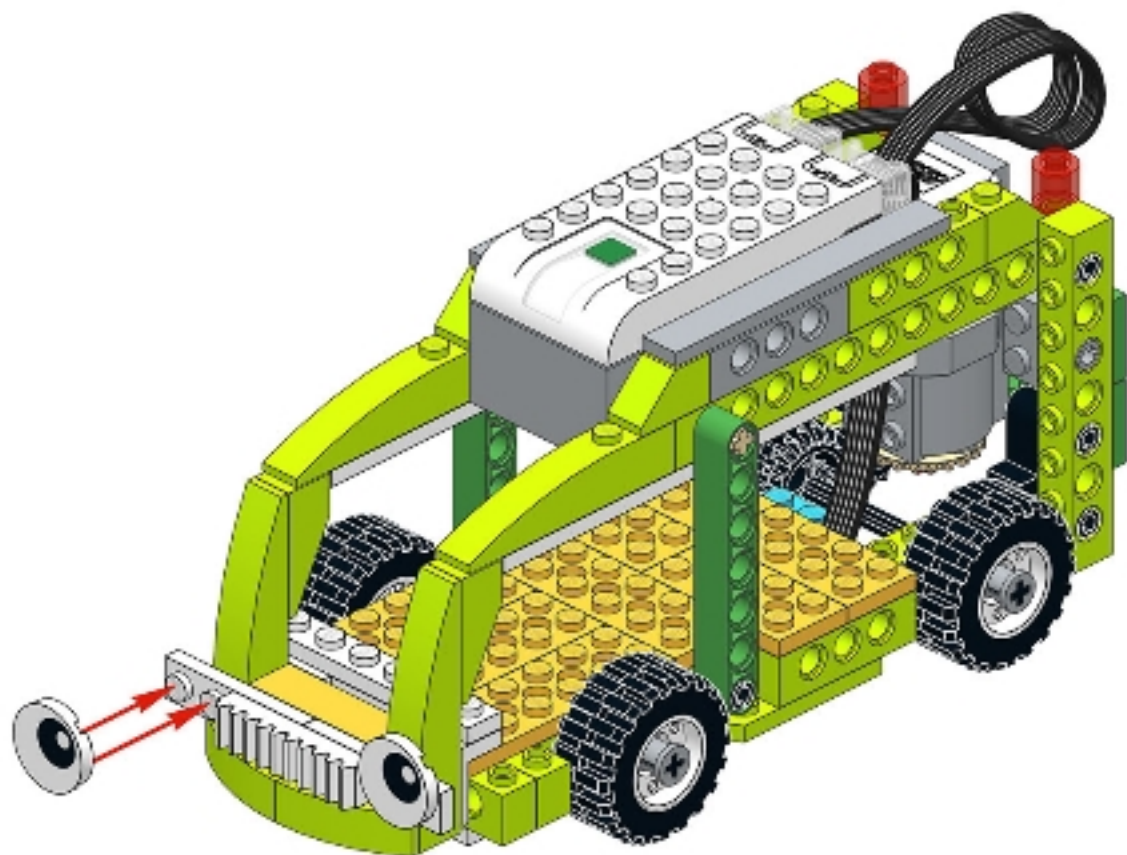


76



77





2x

78

78/79



0

104



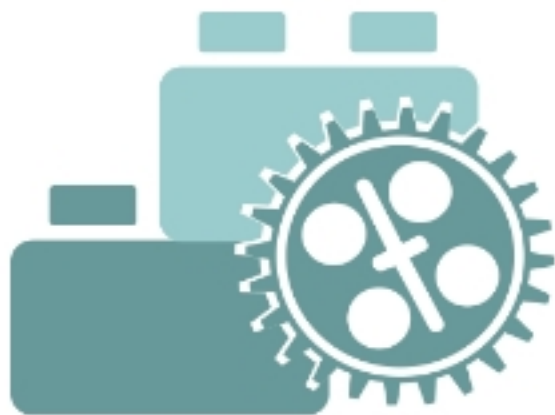
79

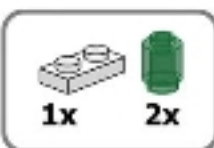




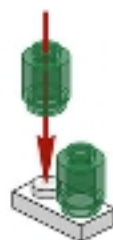
Build the passenger!

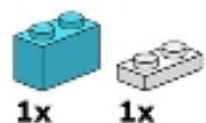
Use the building instruction or build it yourself.



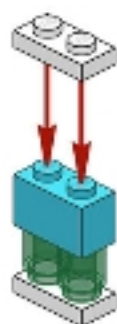


80





81





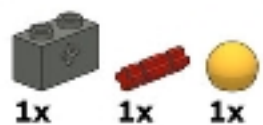
1x



2x

82



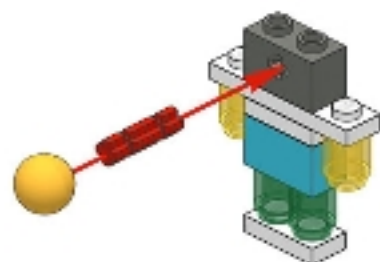


1x

1x

1x

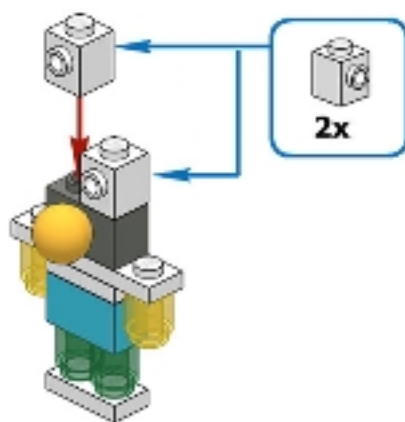
83

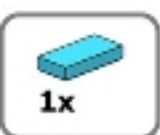




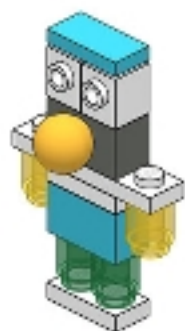
2x

84



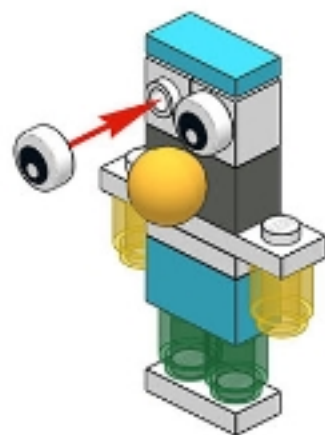


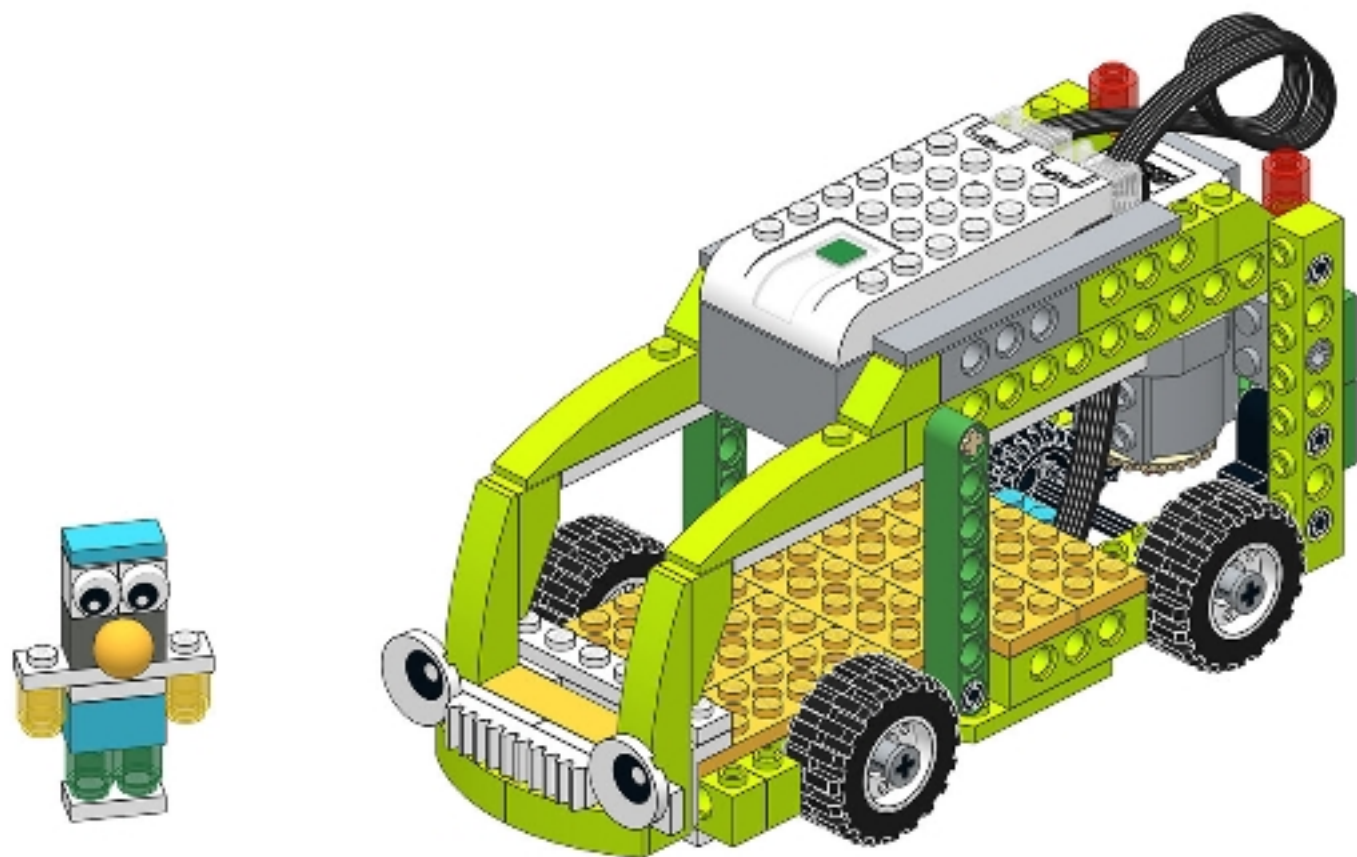
85





86







Task 2. Questions

Which program block is used for waiting the passengers?
Click on it.



124





Task 3. Program

Modify the program you wrote as follows:



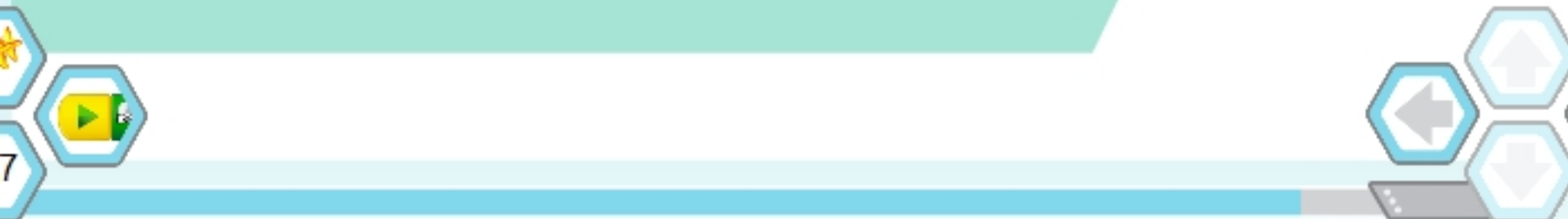
Change the color of the hub is easy to use to understand what part of the program is currently running on the robot.





Task 3. Questions

Which program block runs red?





Task 4. Program

Modify the program you wrote as follows:



With such settings, the loop repeats the blocks placed in it five times, after which the next block will run the motor.





Task 5. Questions

What will the bus do after the last stop?



The robot will go forward

The robot will go back

The robot will not move

