

for LEGO WeDo 2.0 set

ATM: building instruction



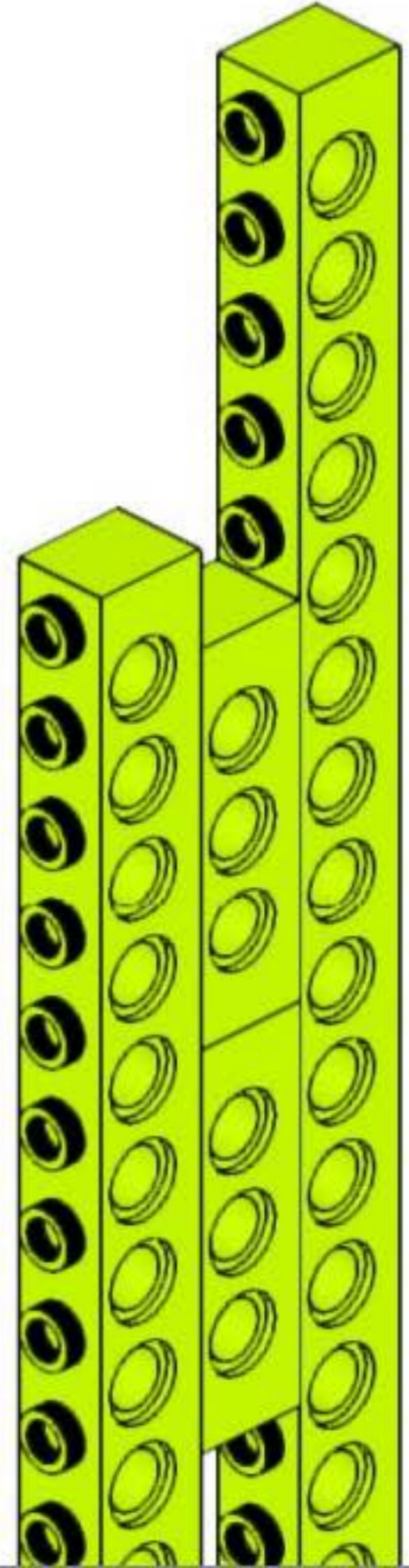
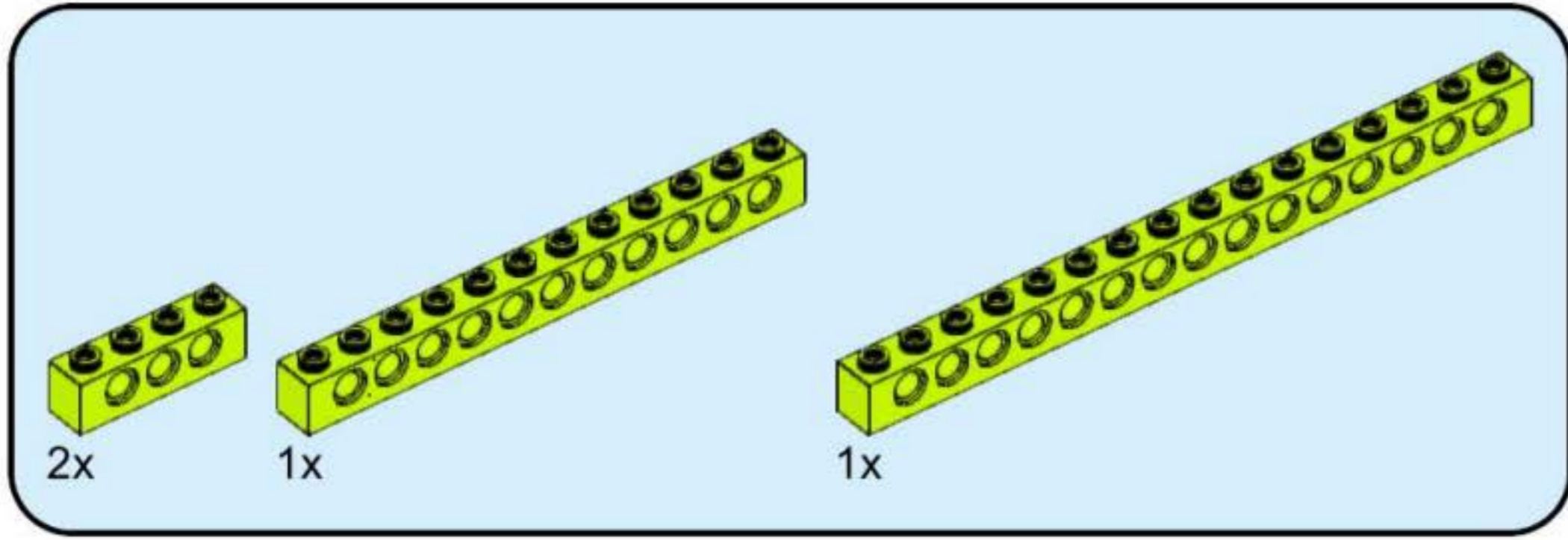
3D image

vs

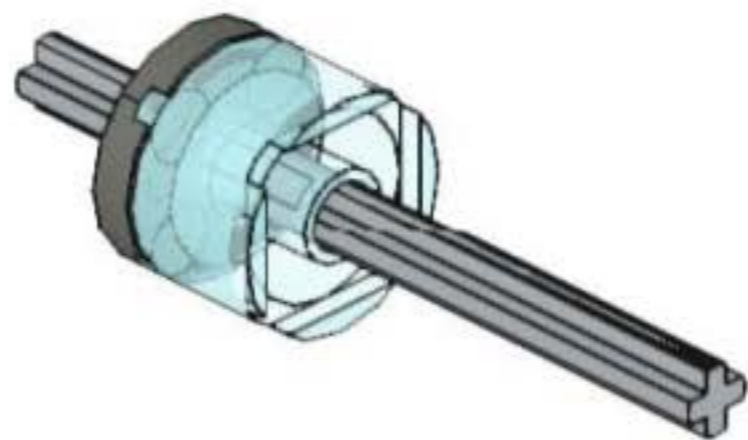
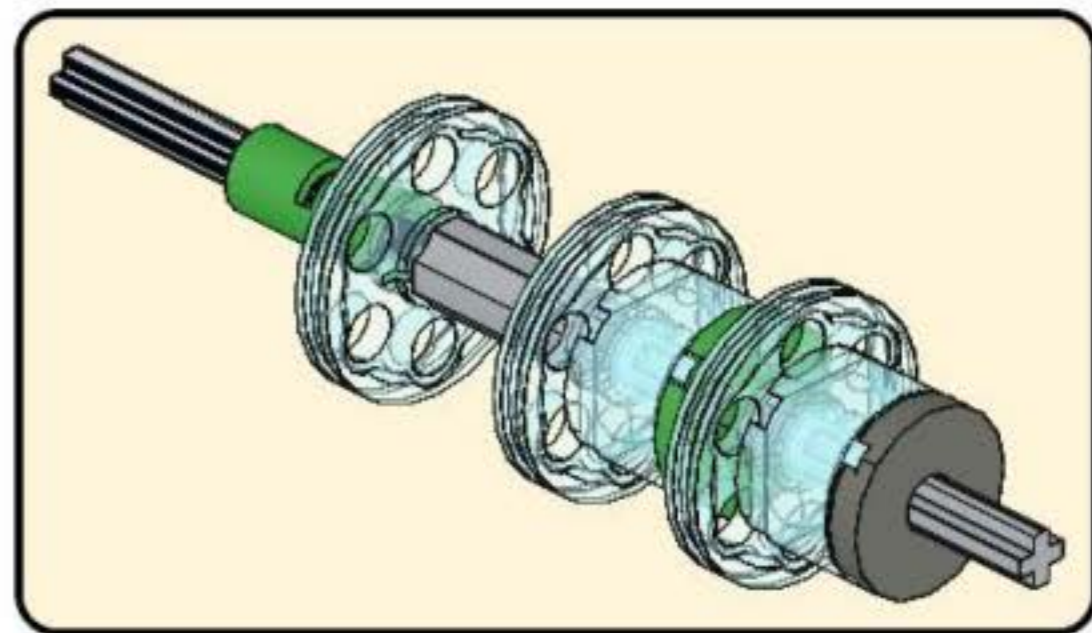
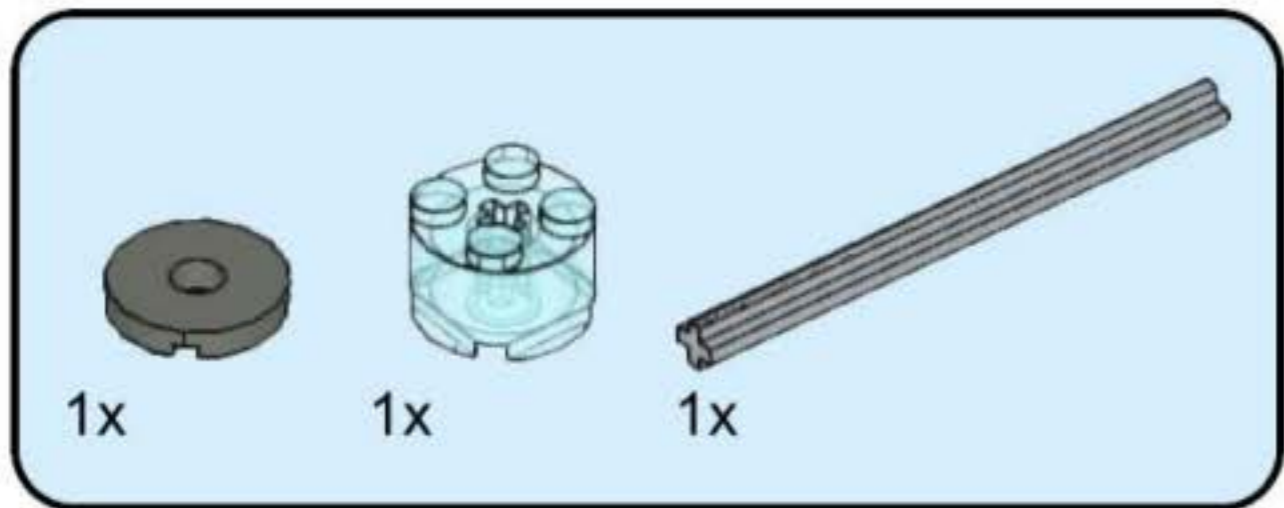
Real model



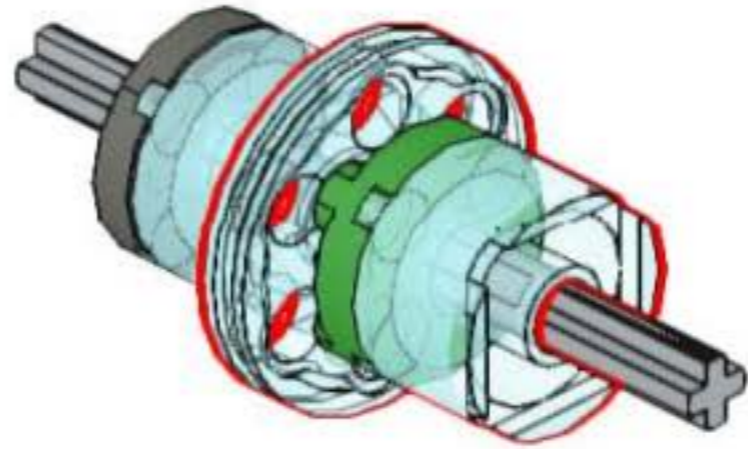
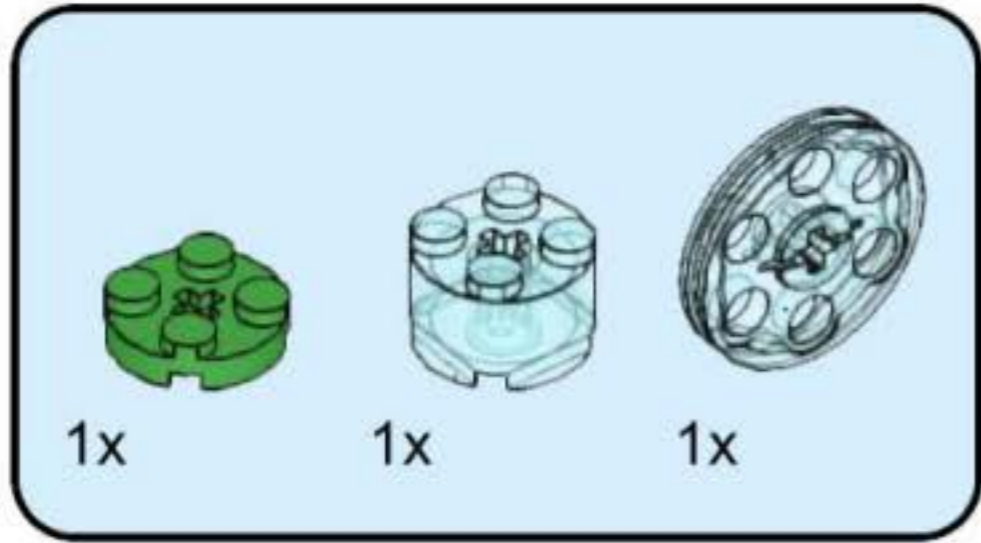
1



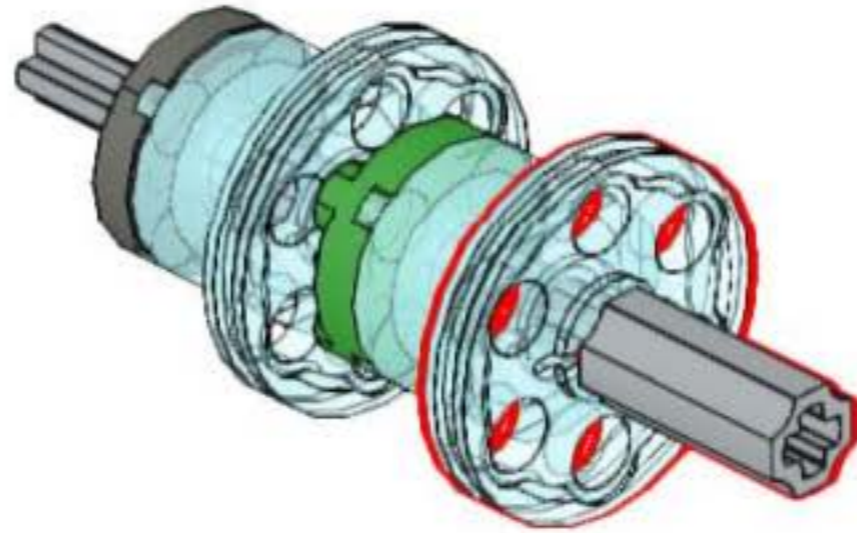
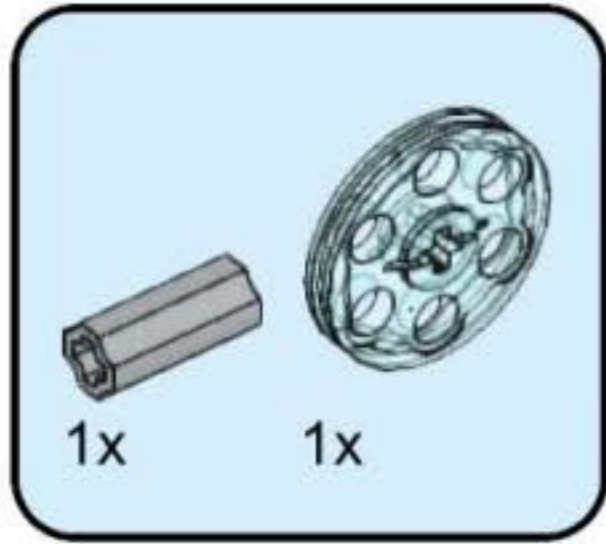
2



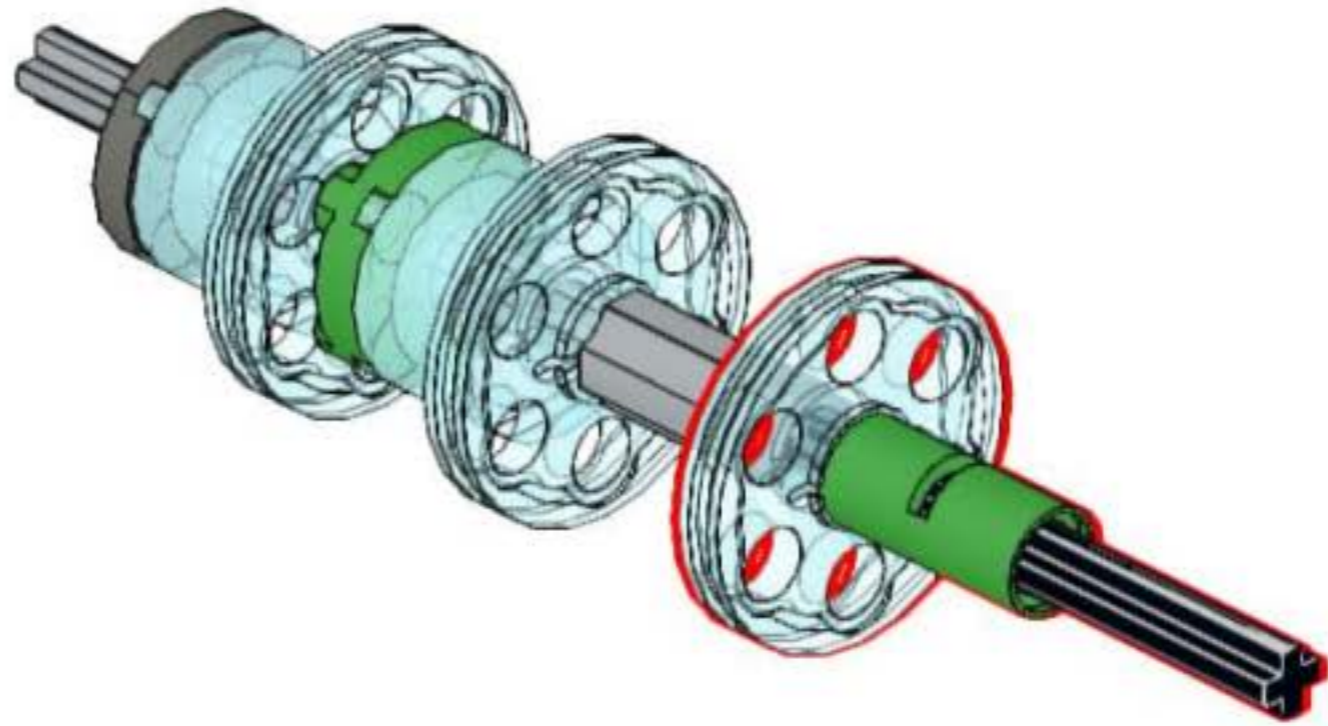
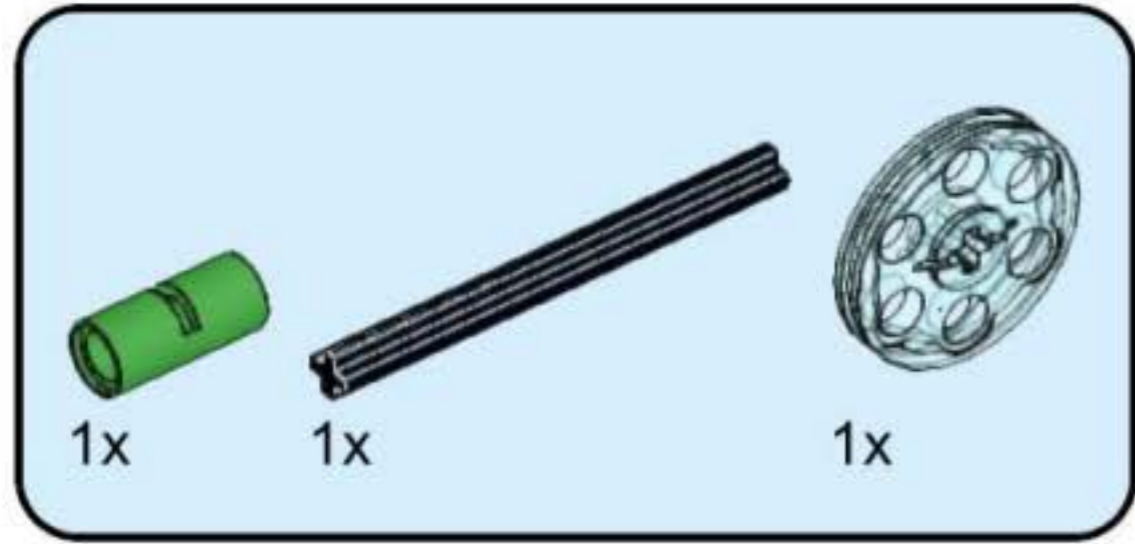
3



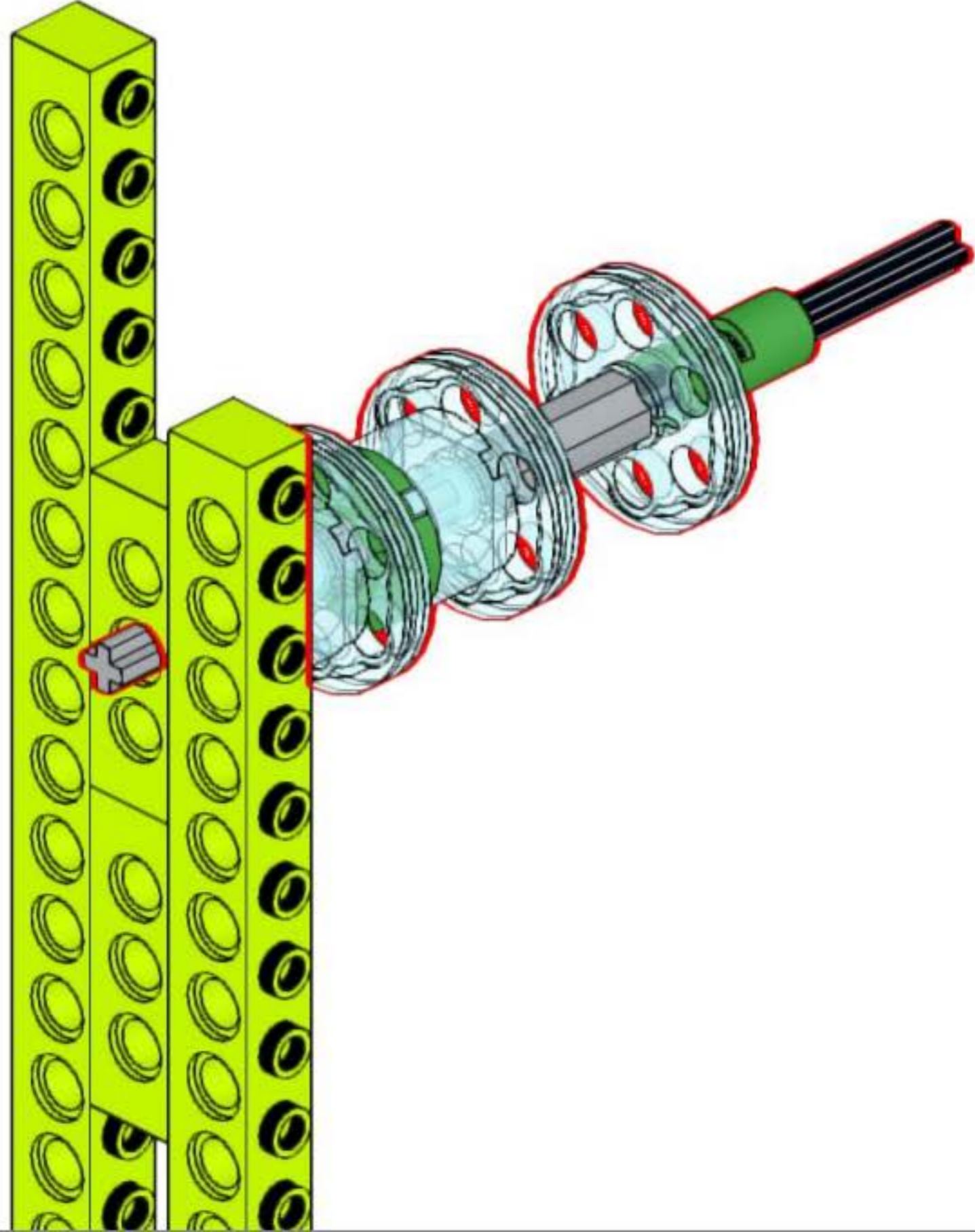
4



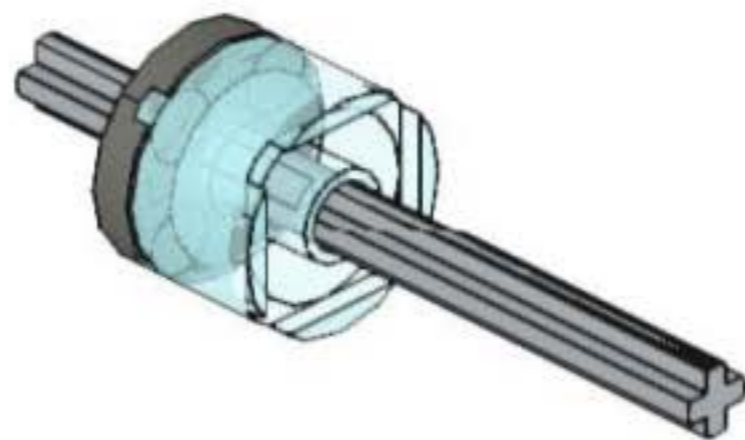
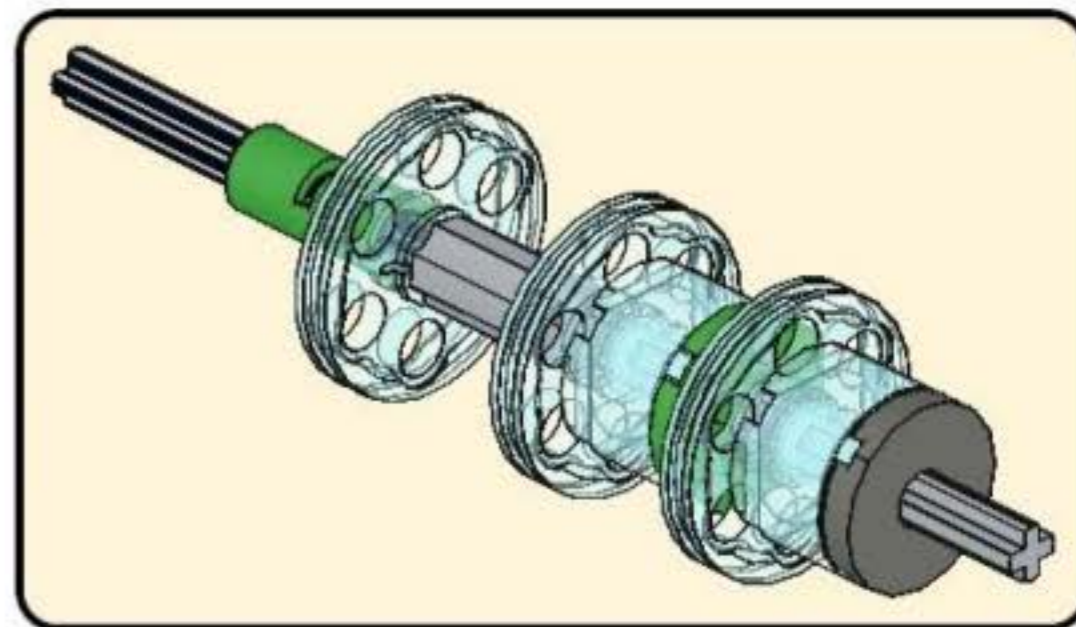
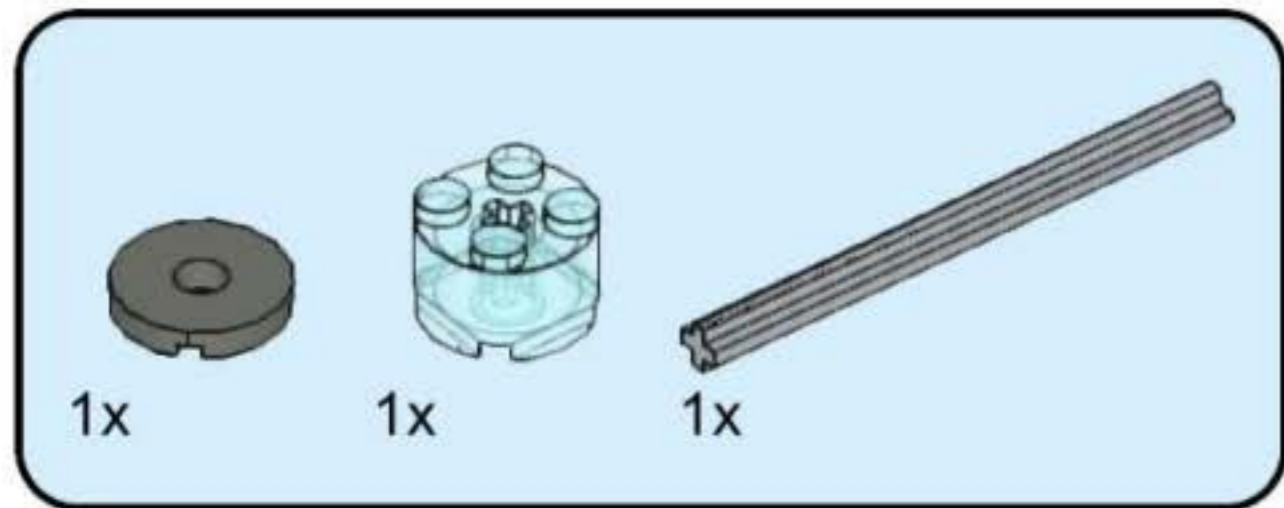
5



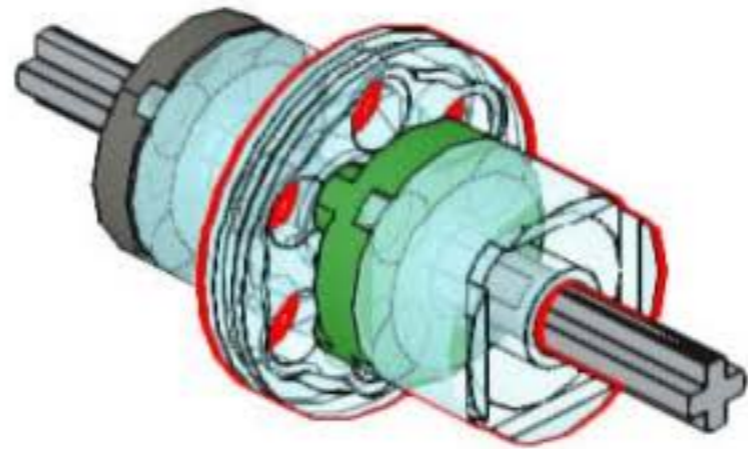
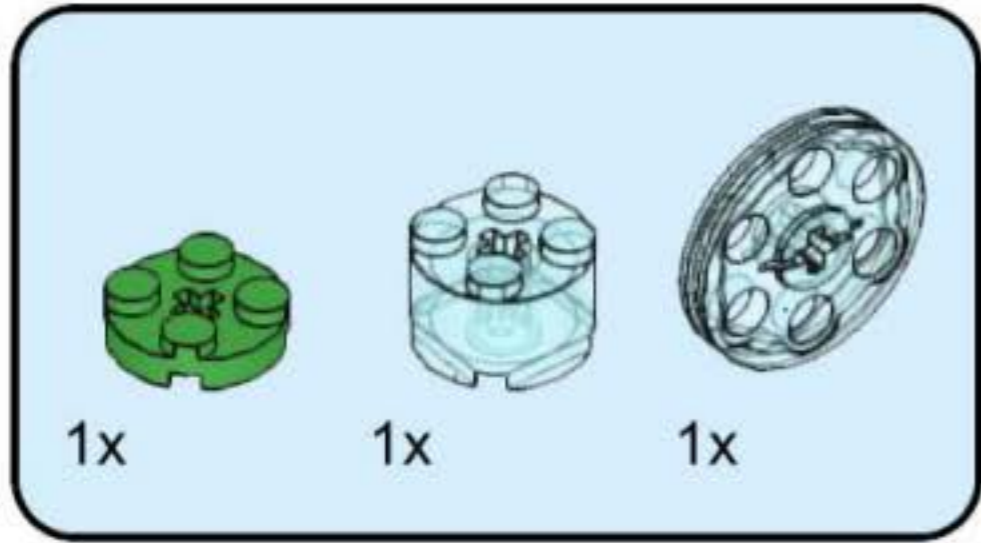
6



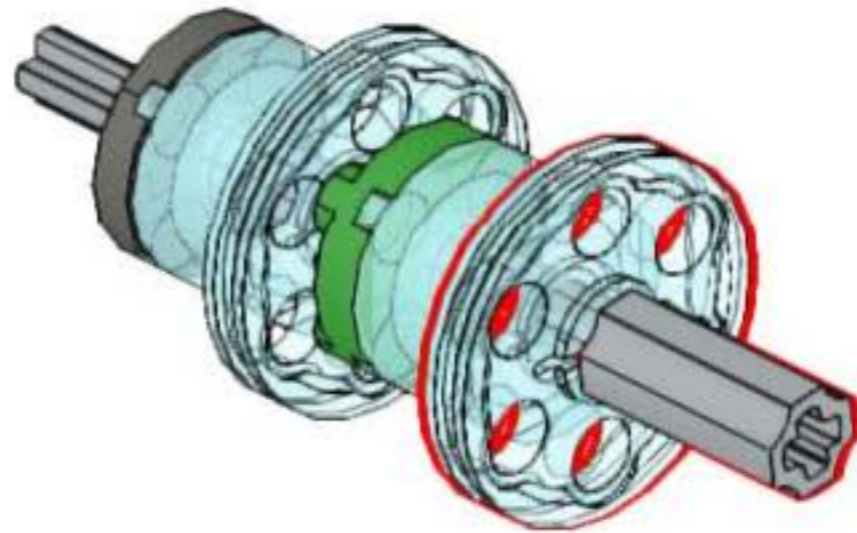
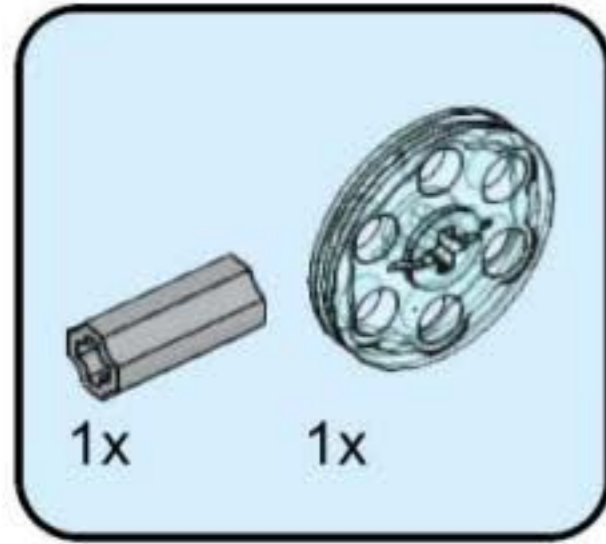
7



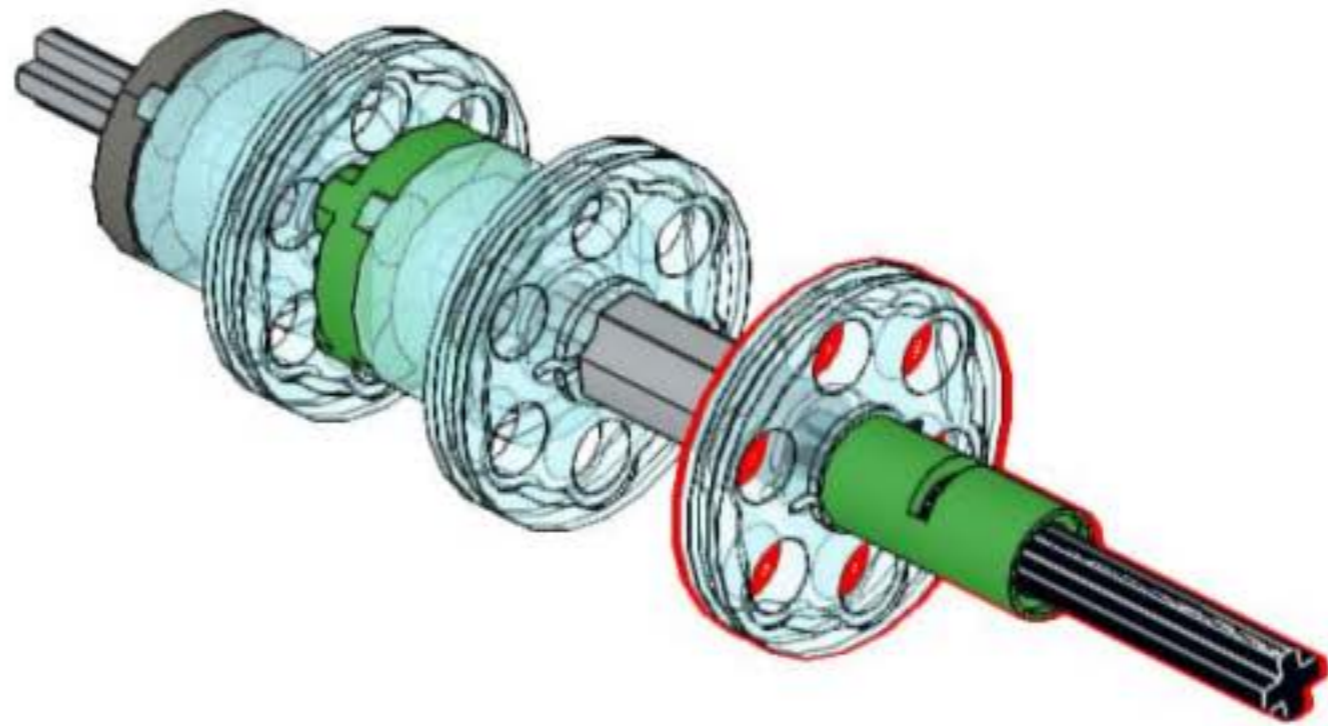
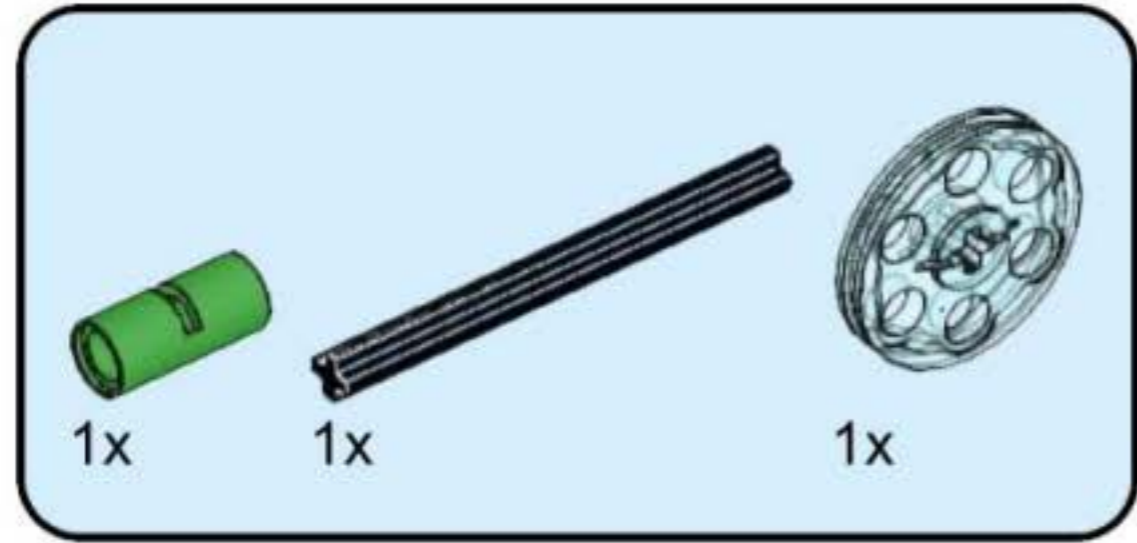
8



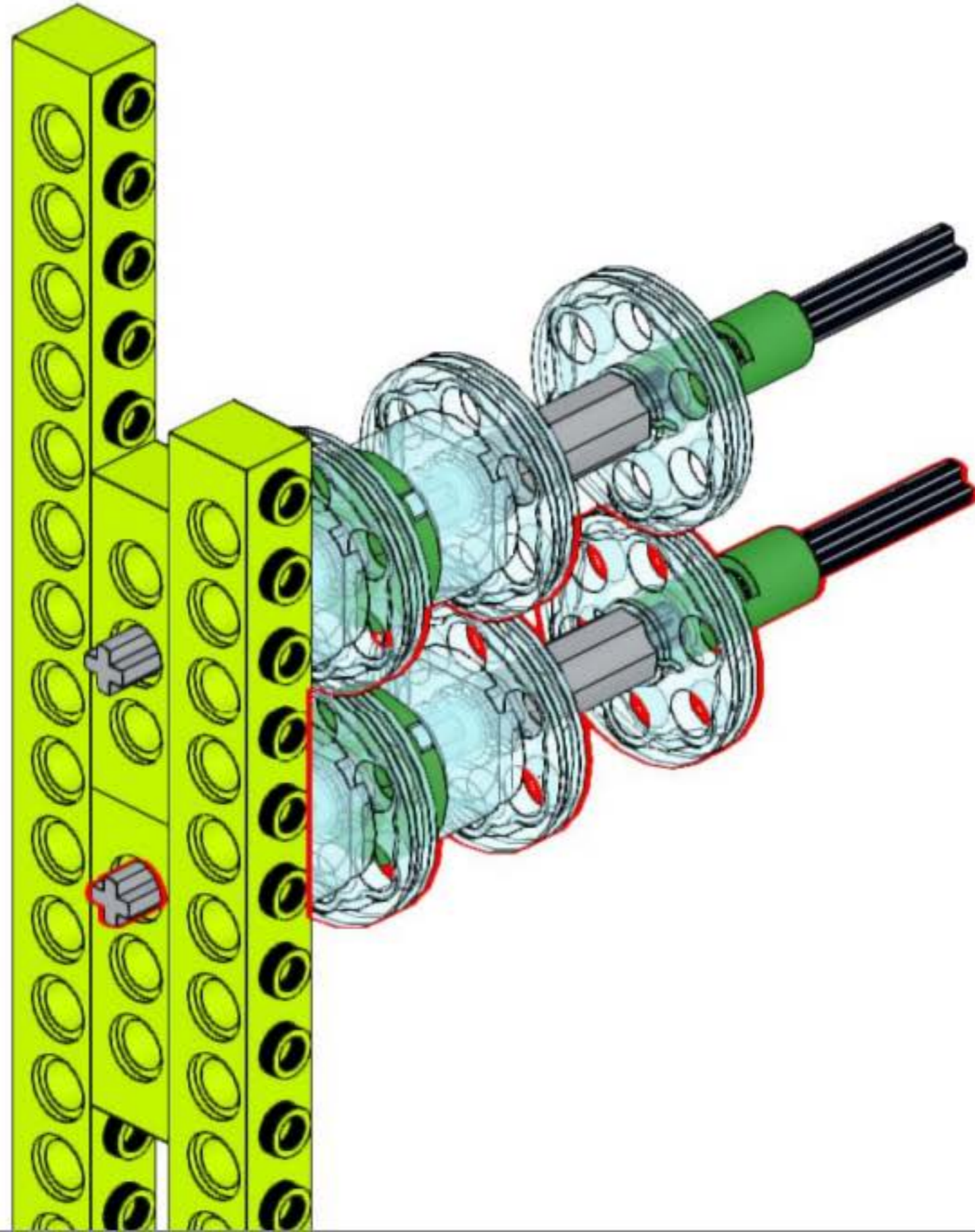
9



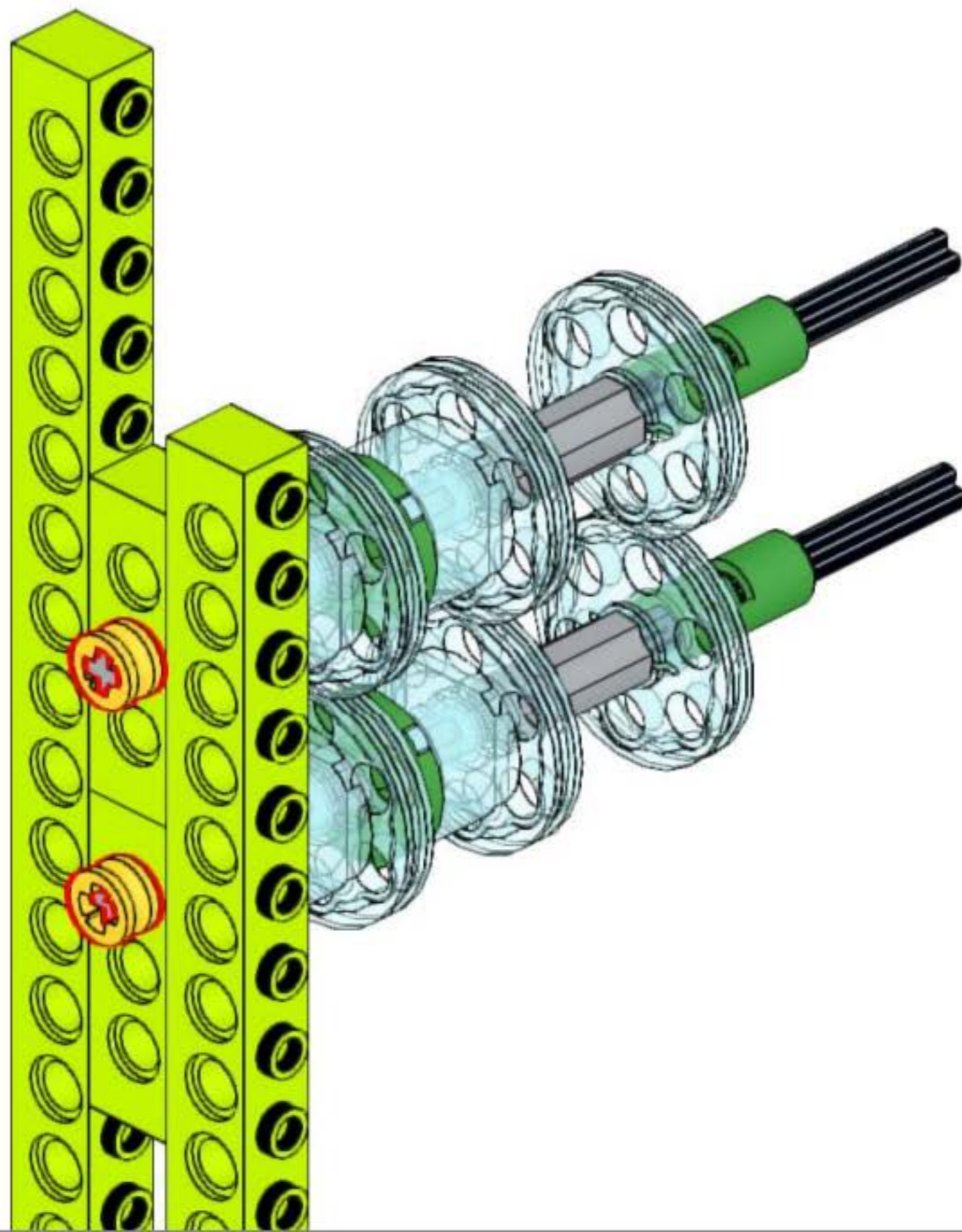
10



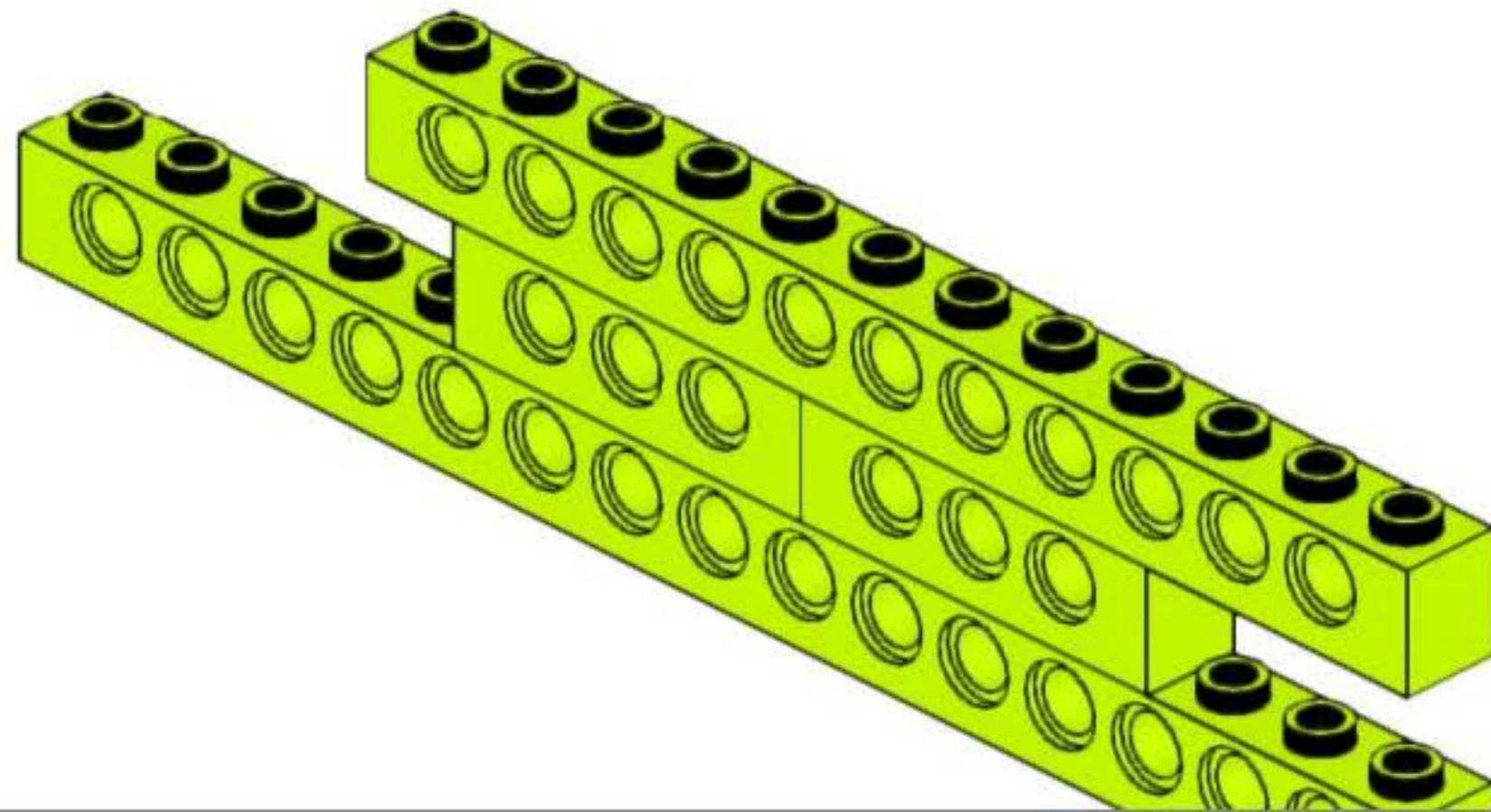
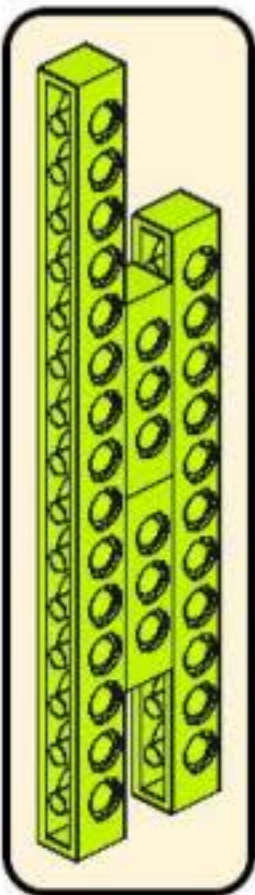
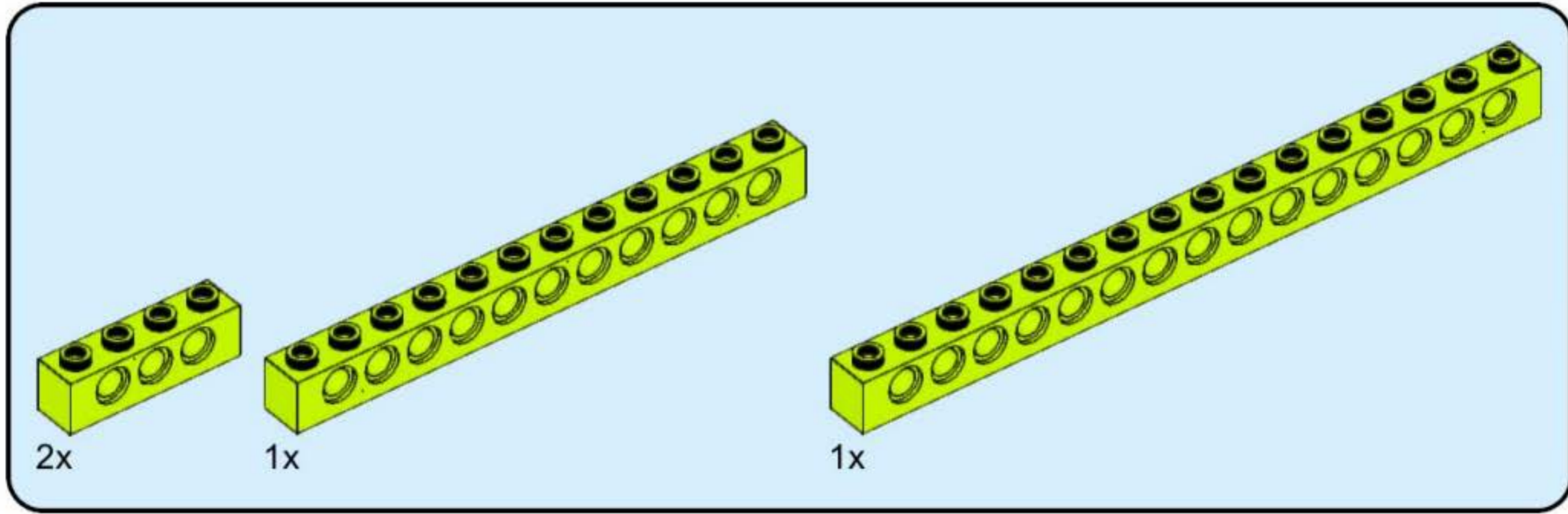
11



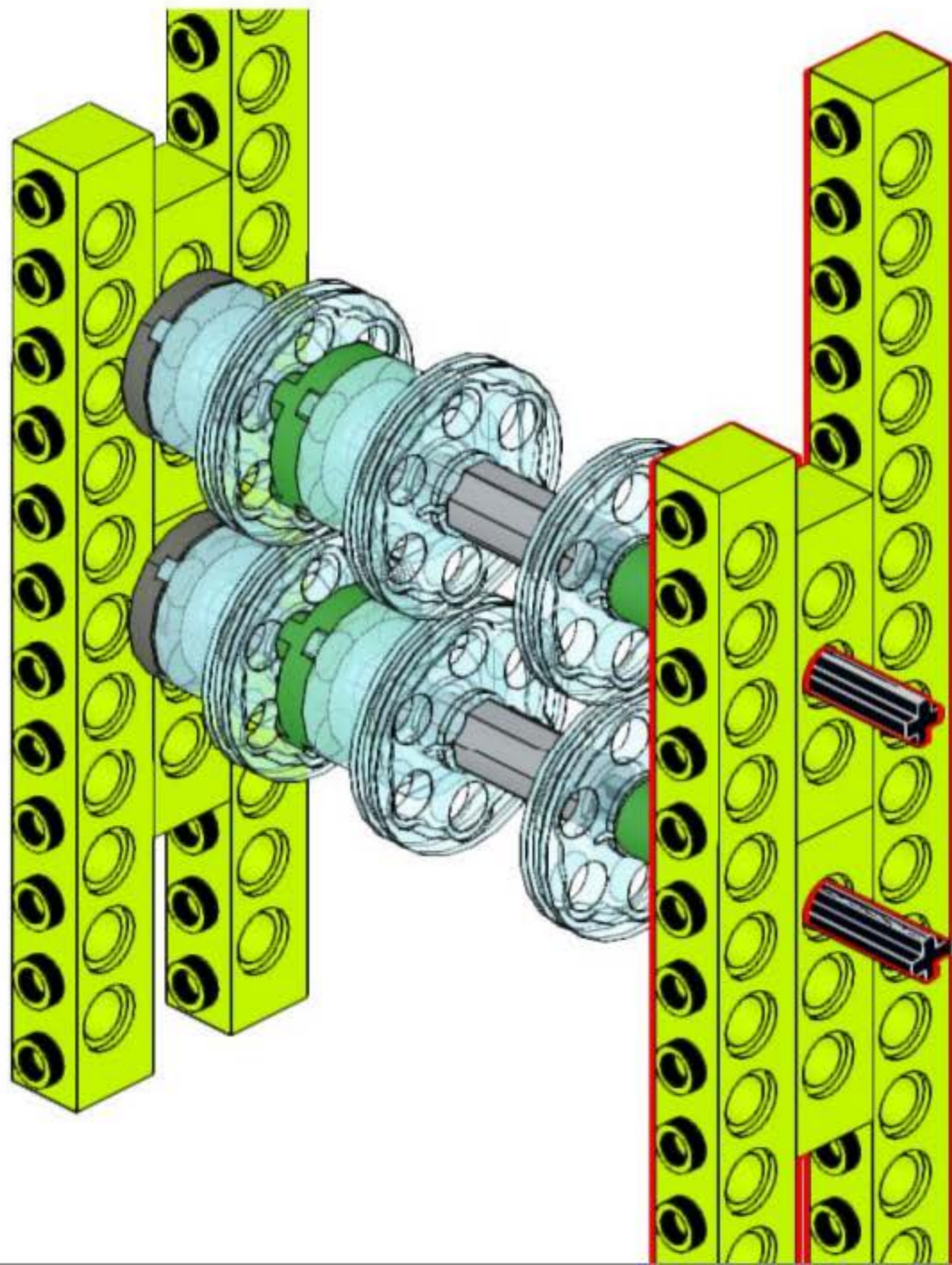
12



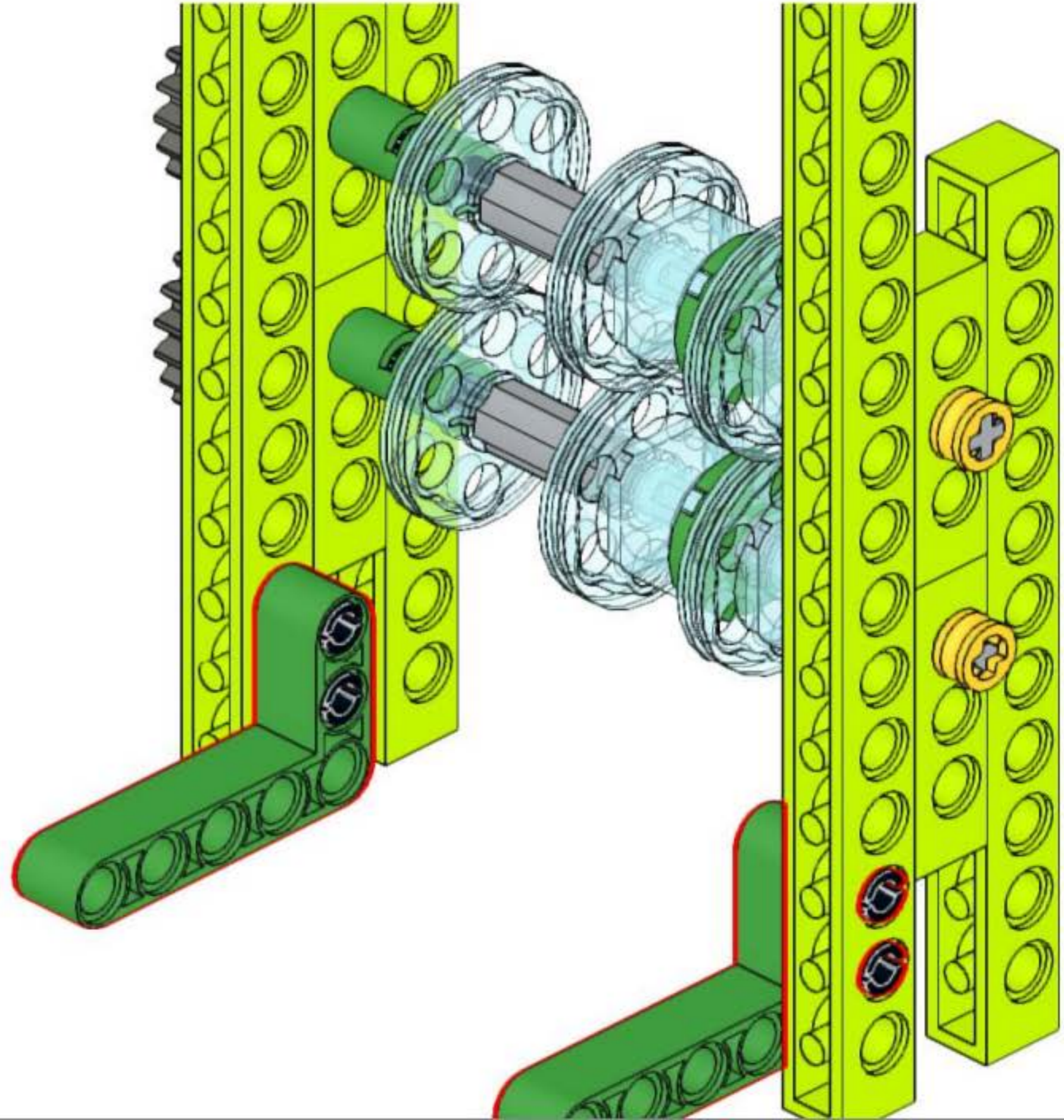
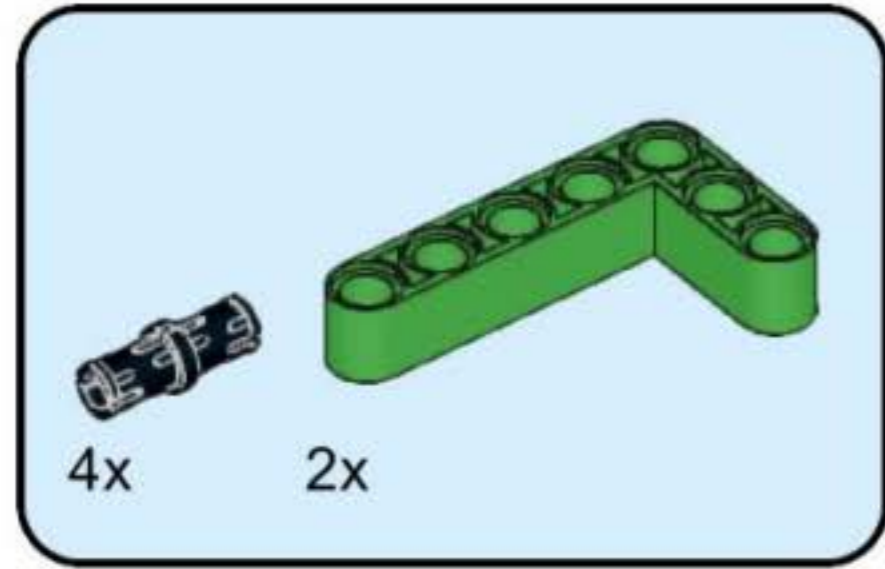
13



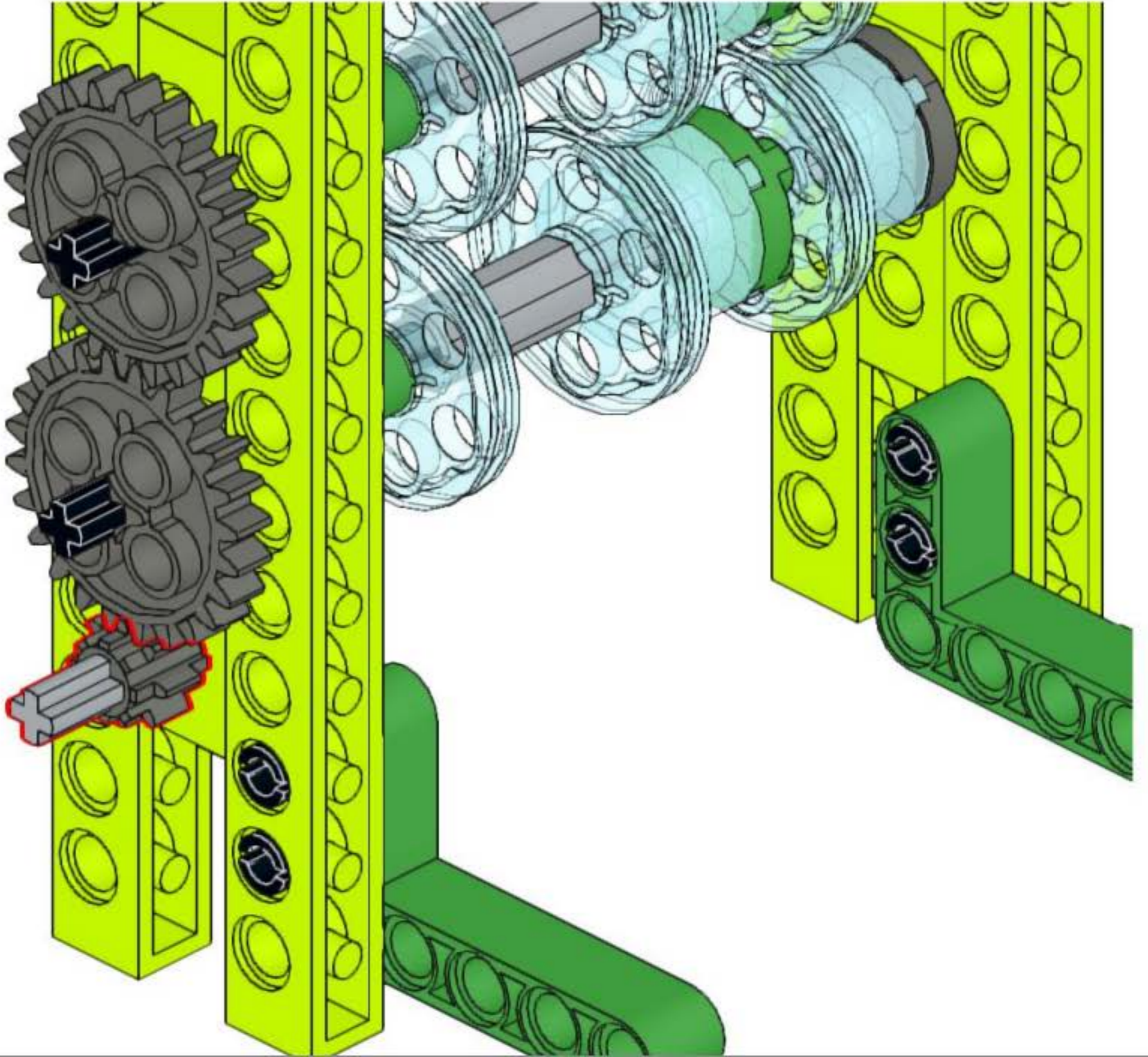
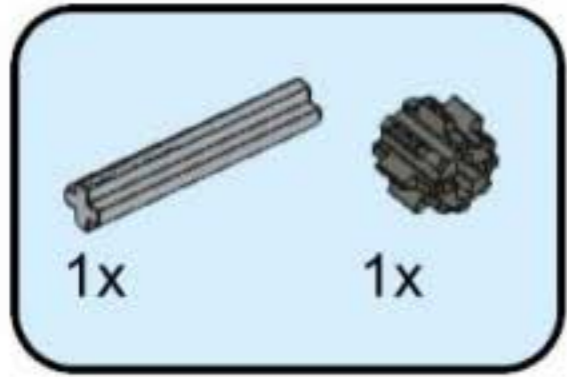
14



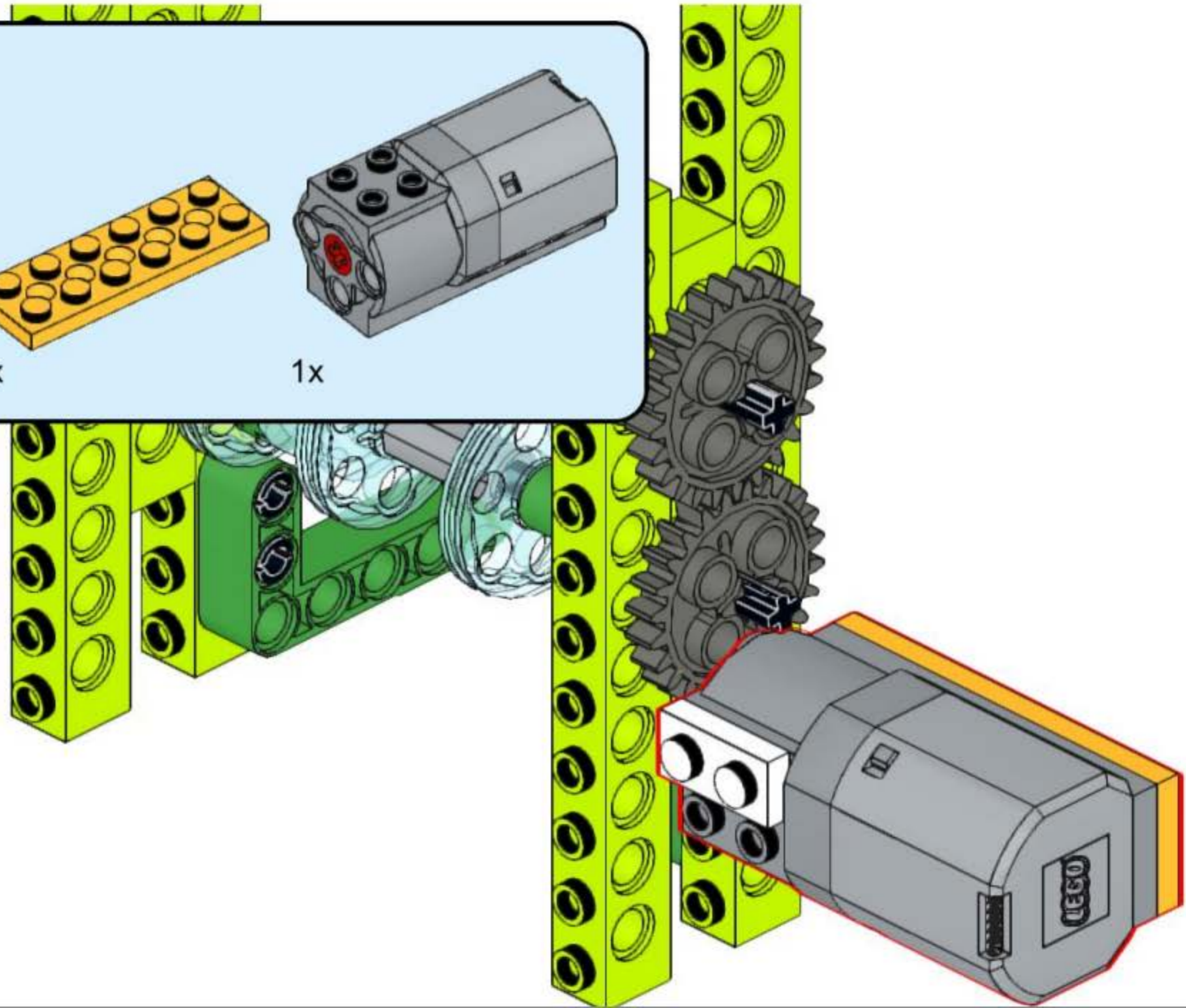
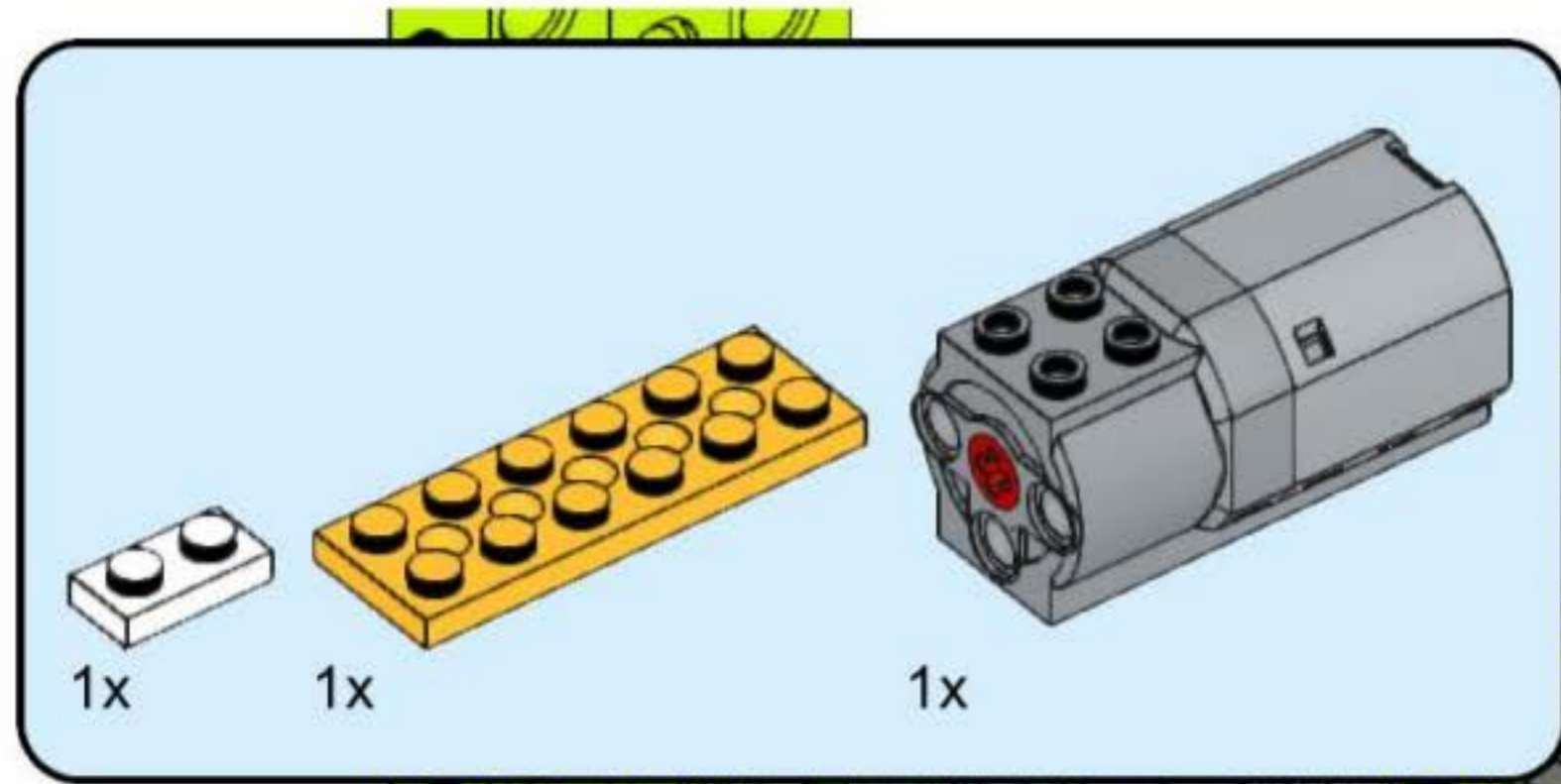
16



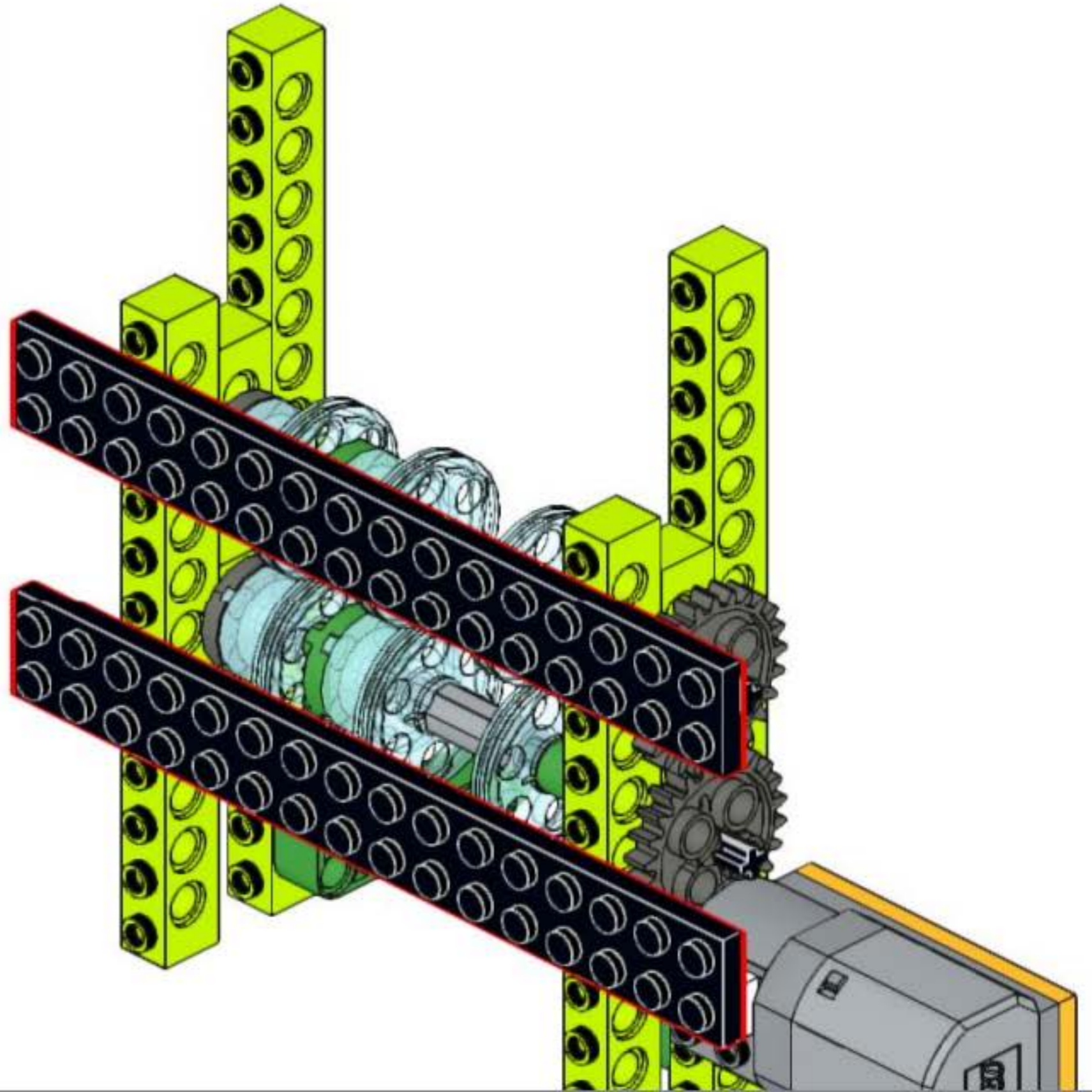
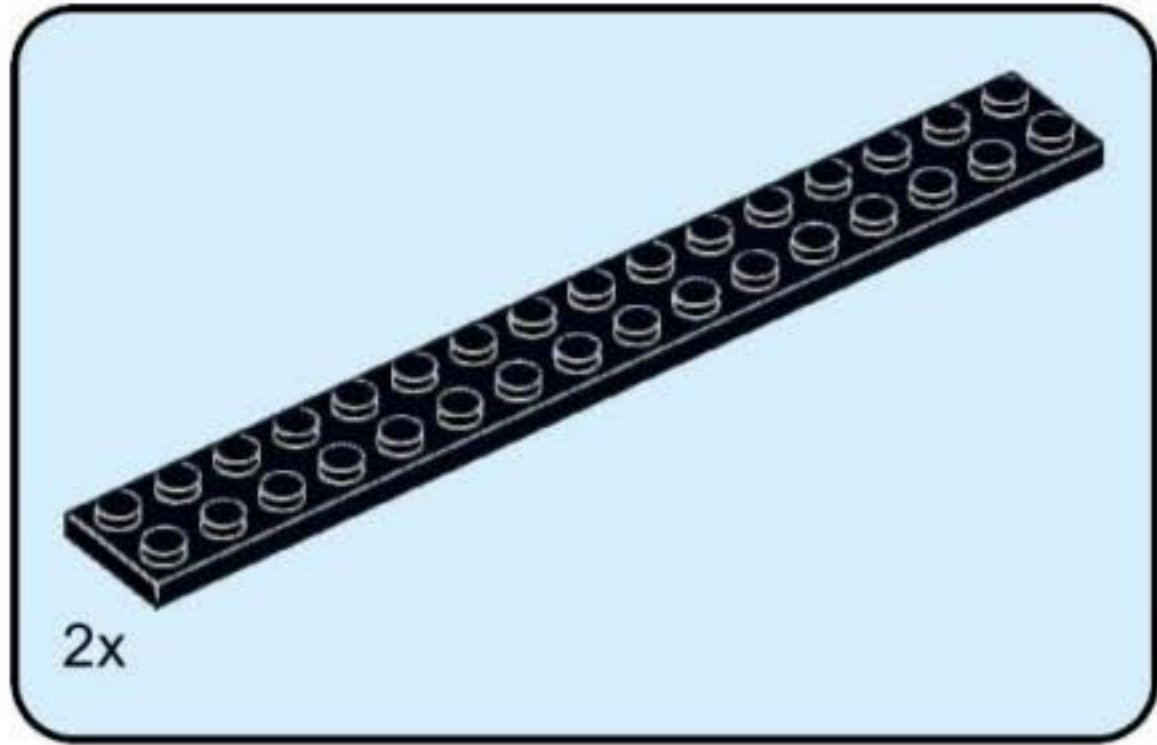
17



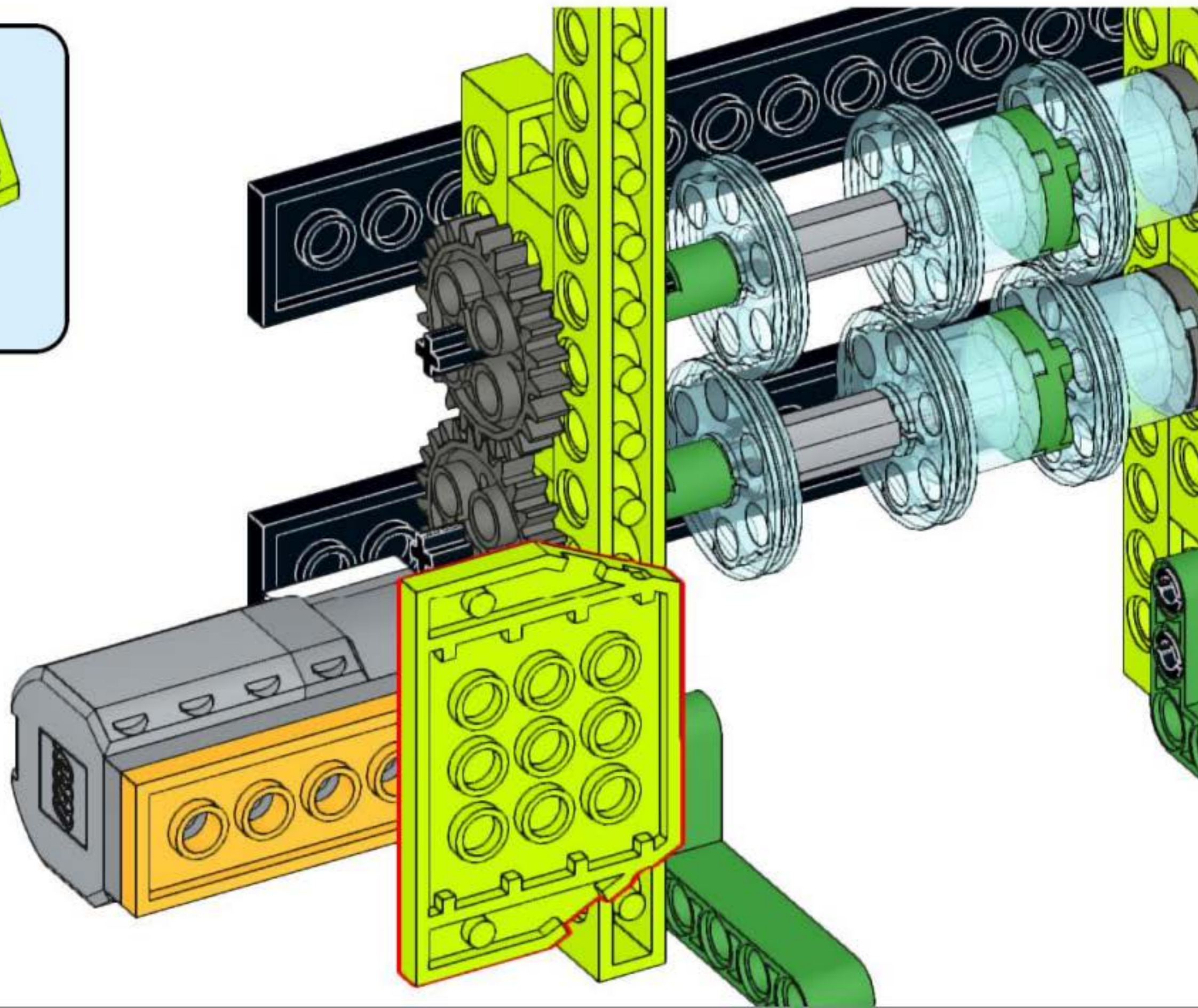
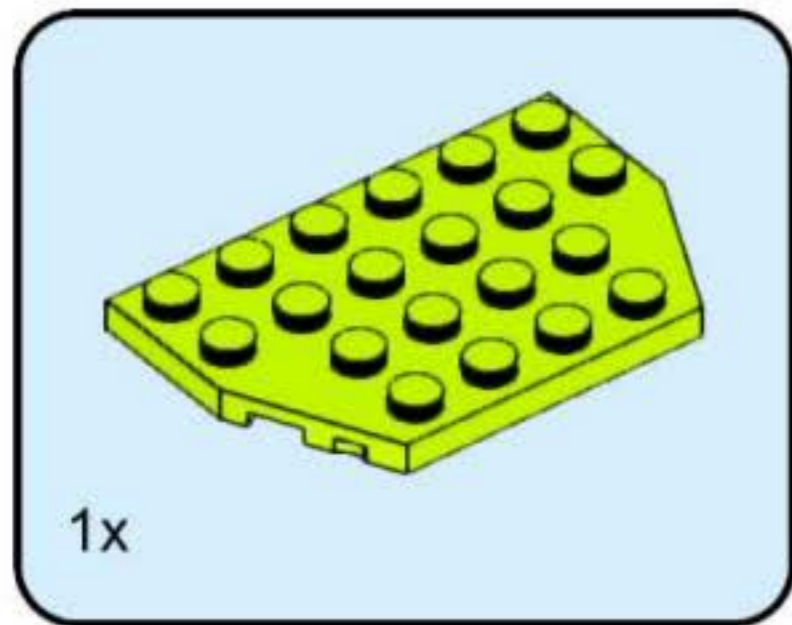
18



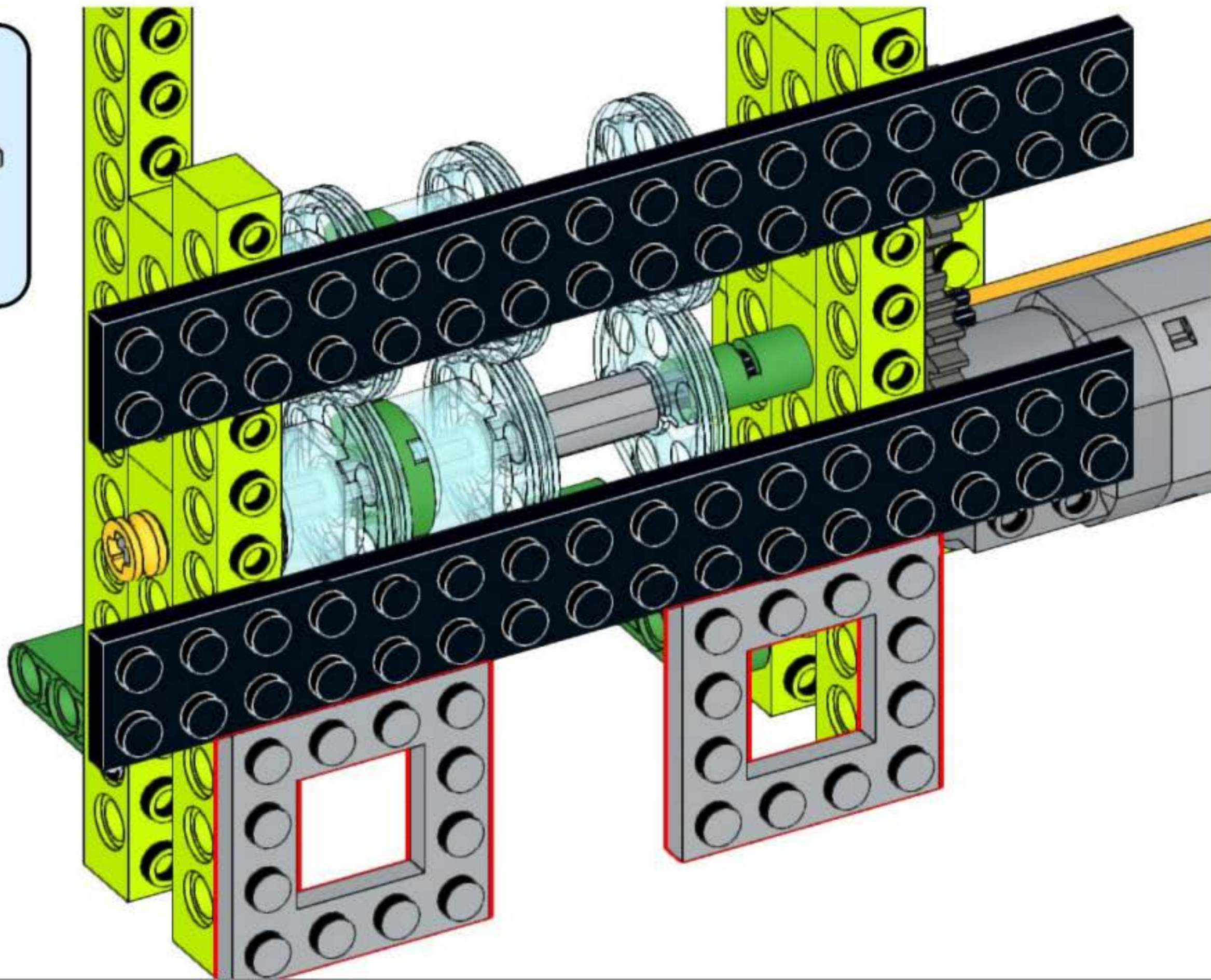
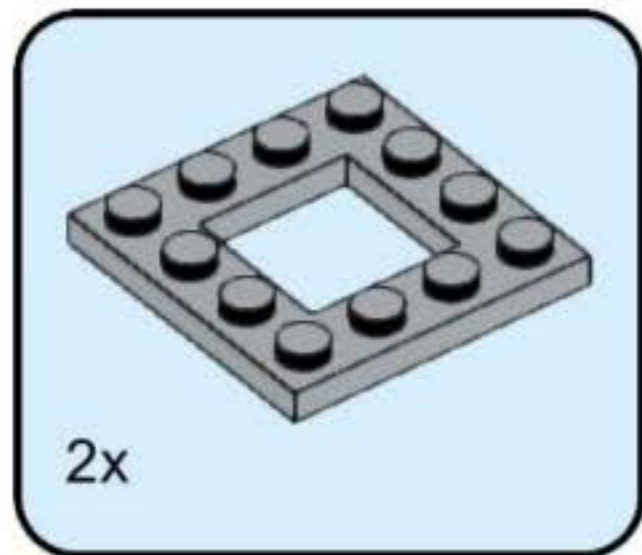
19



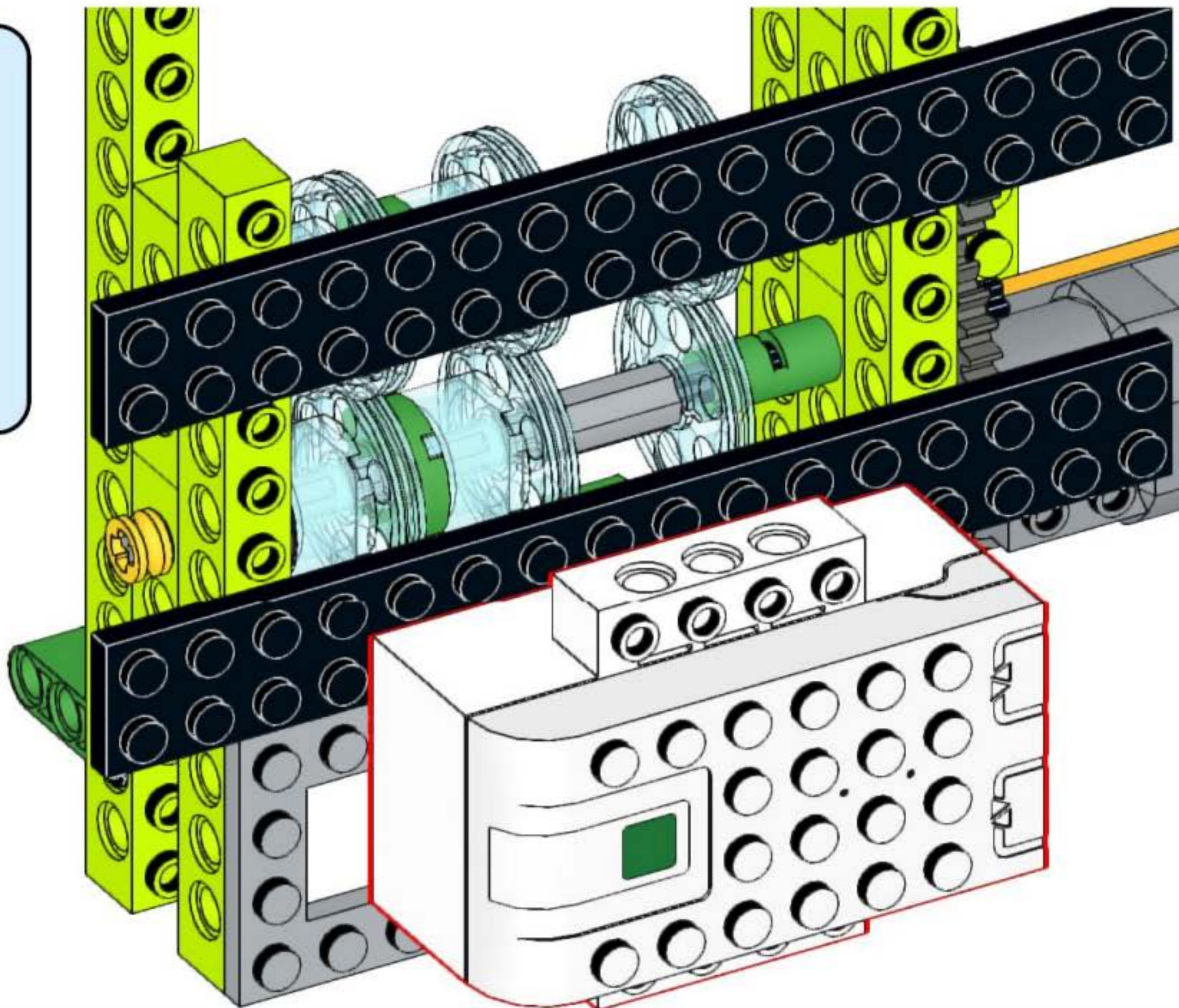
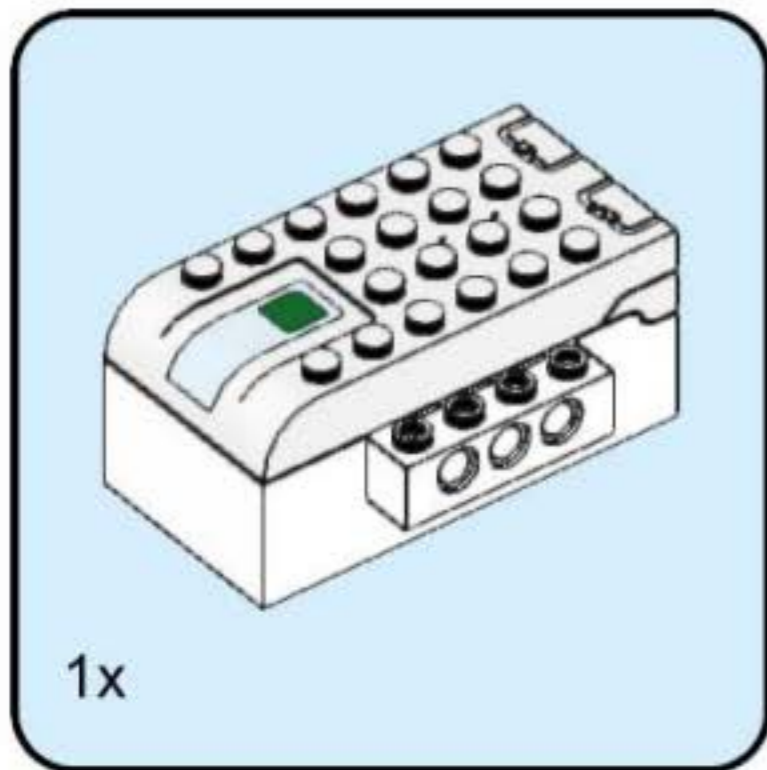
20



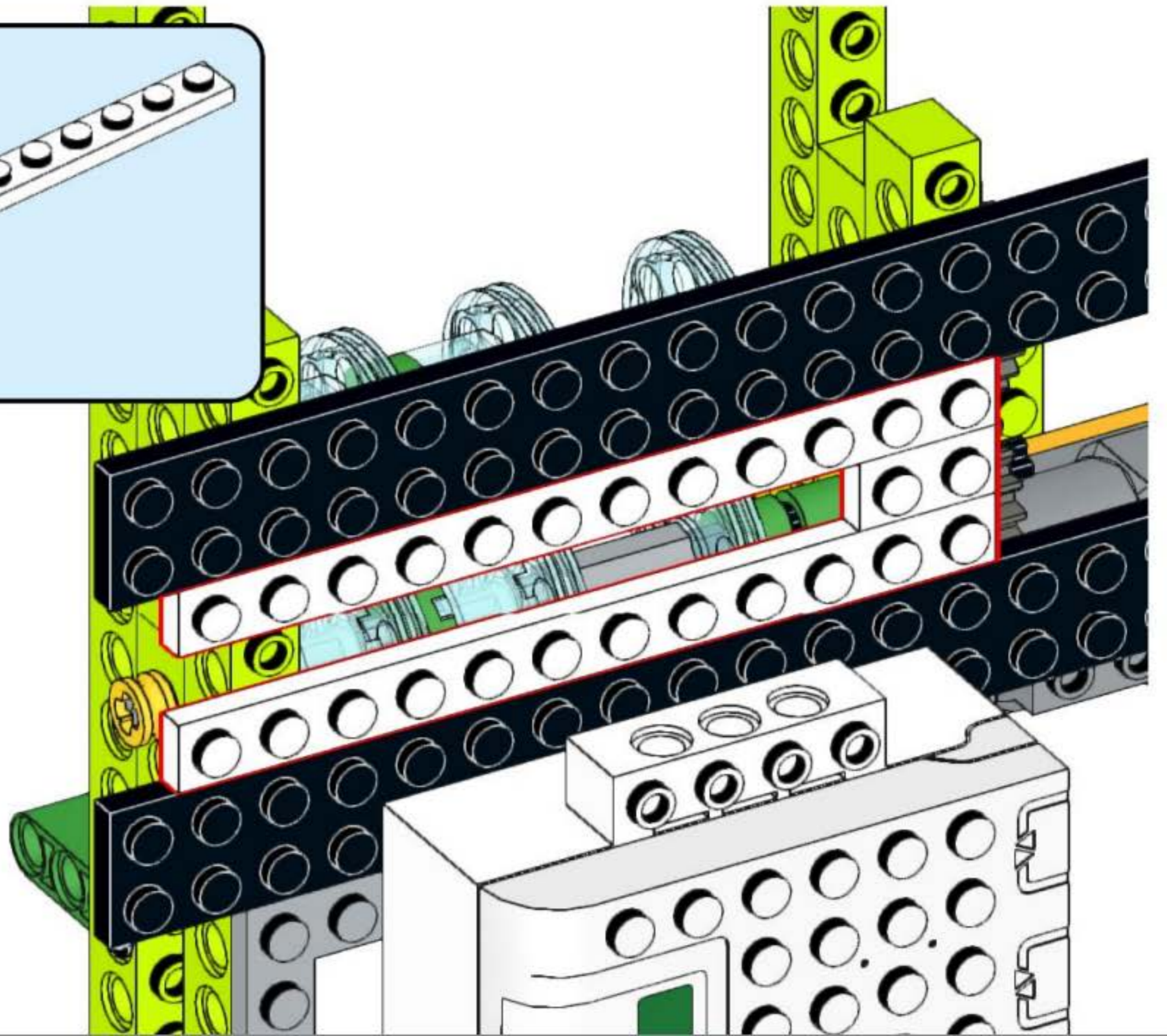
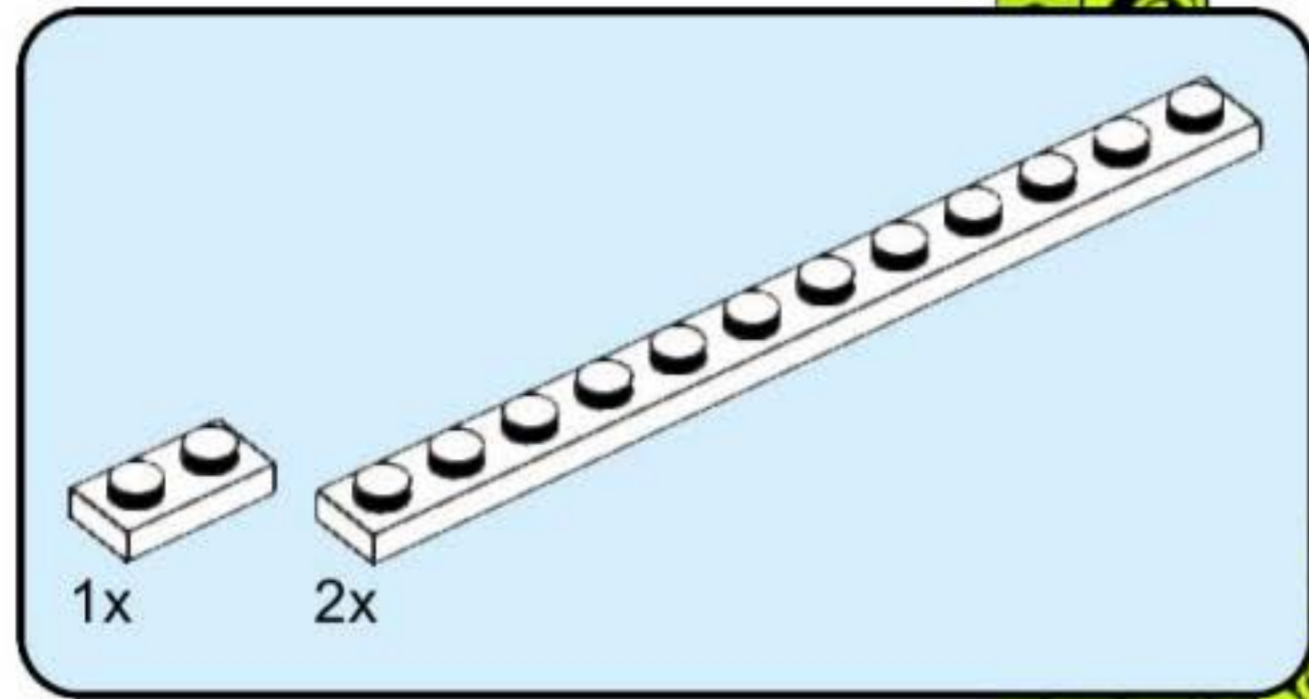
21



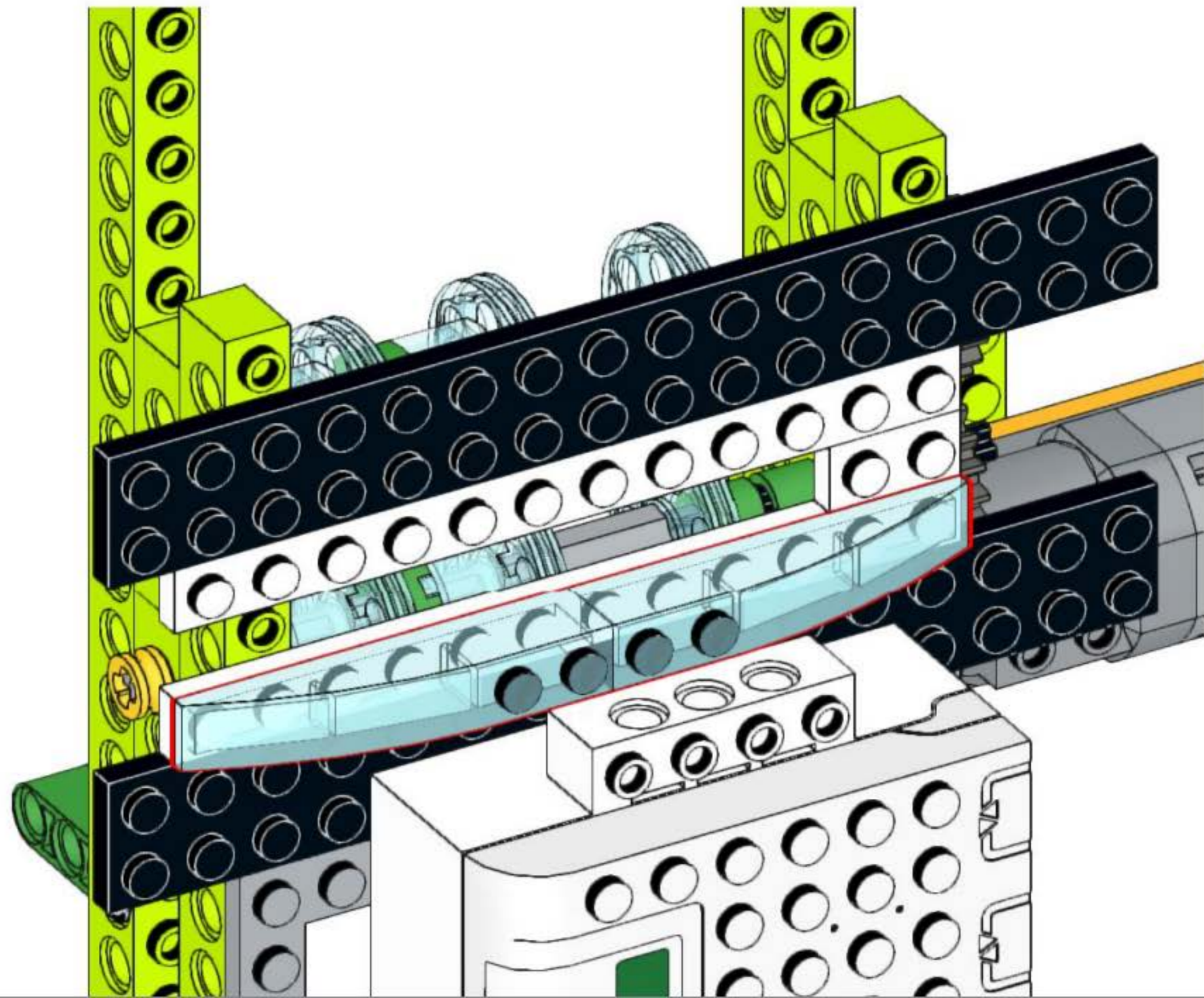
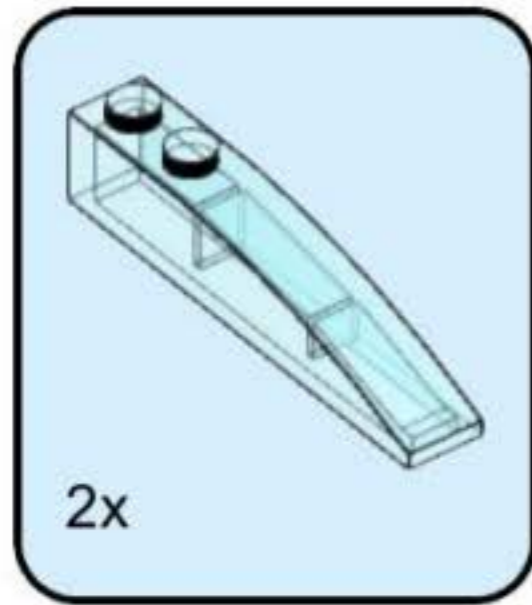
22



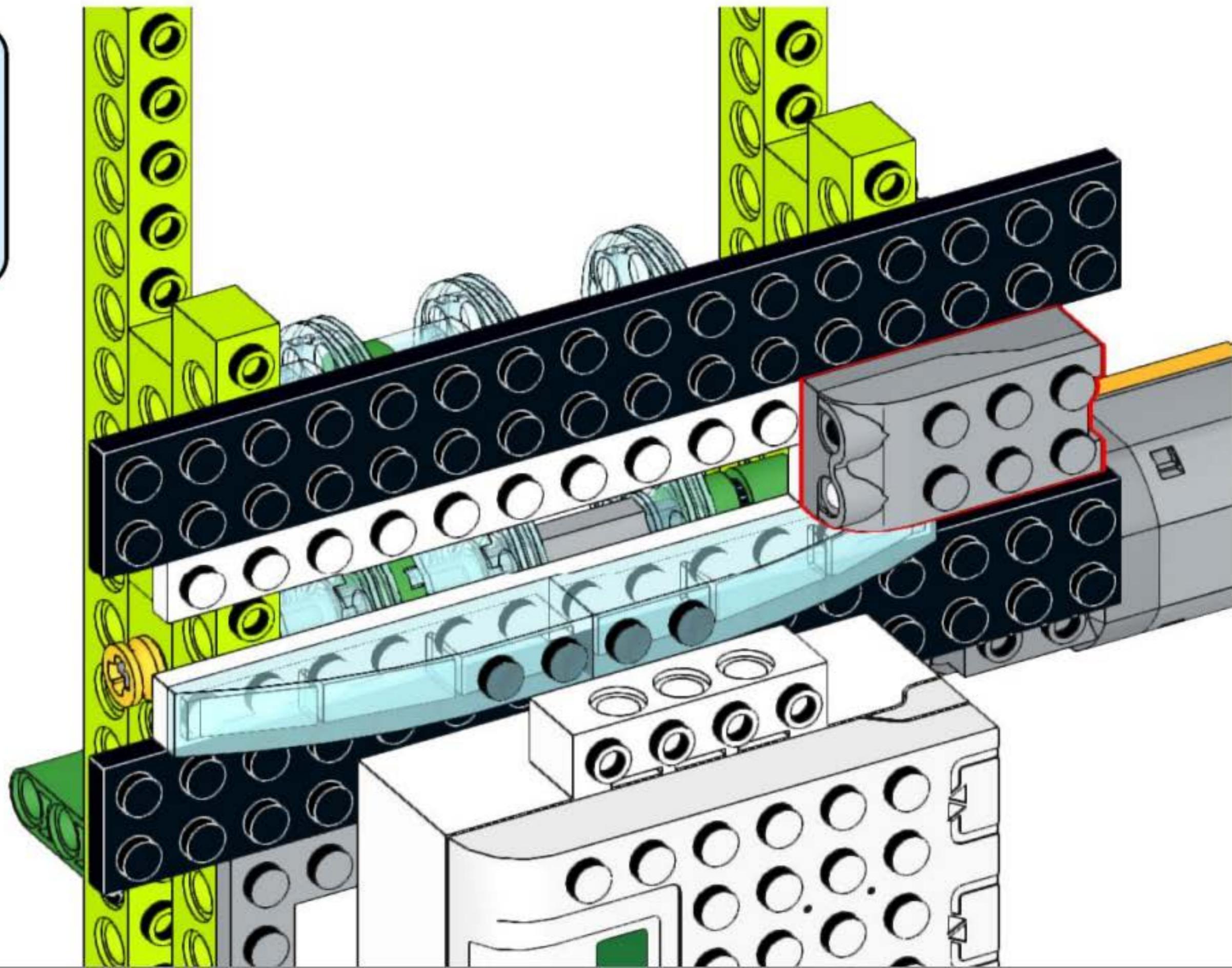
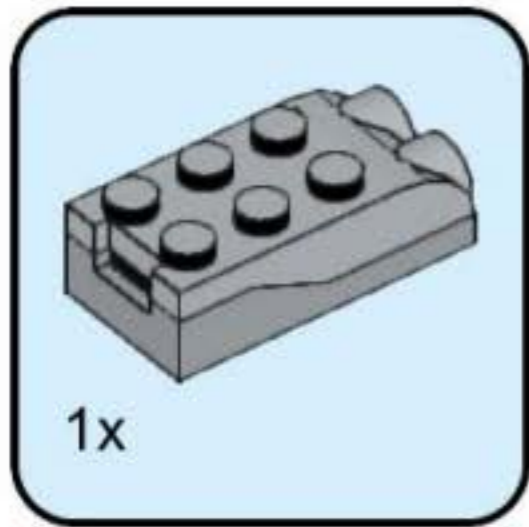
23



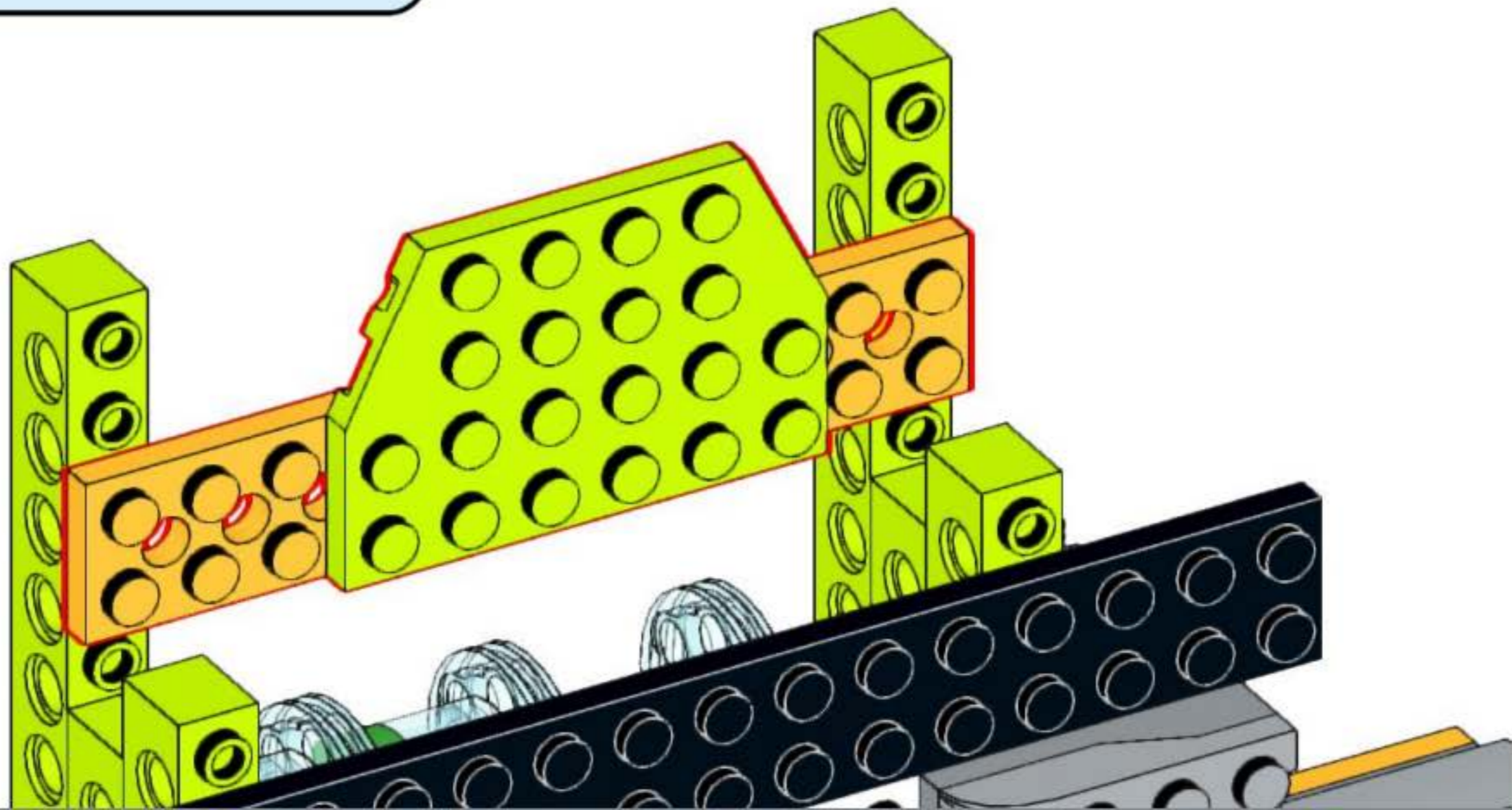
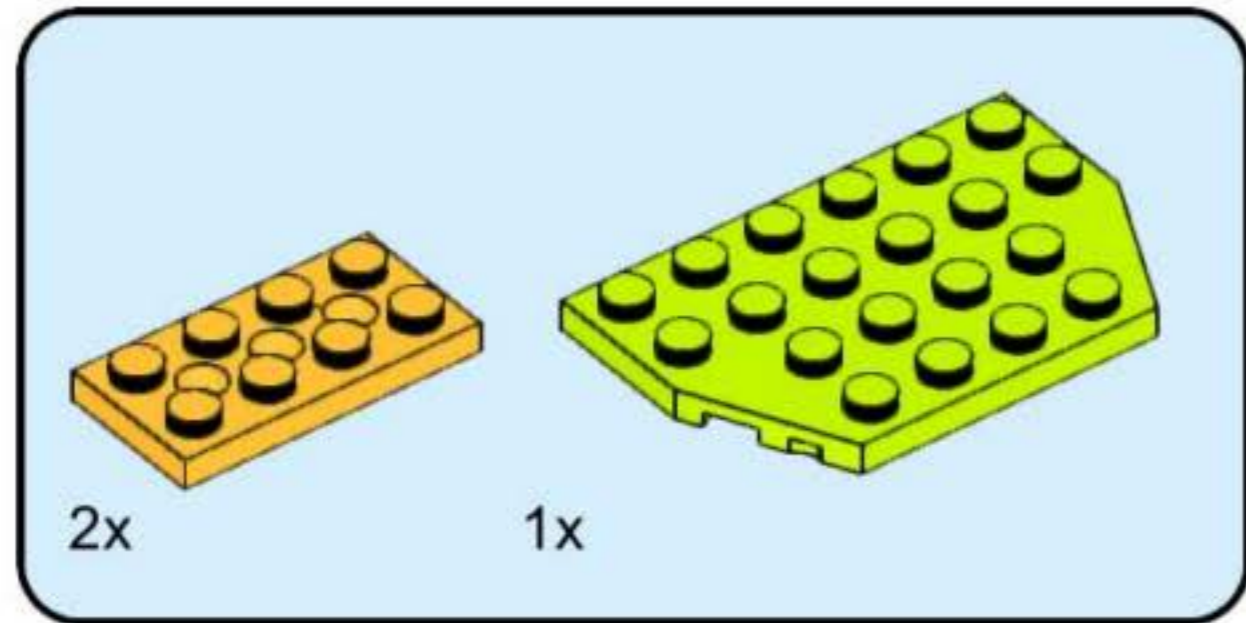
24



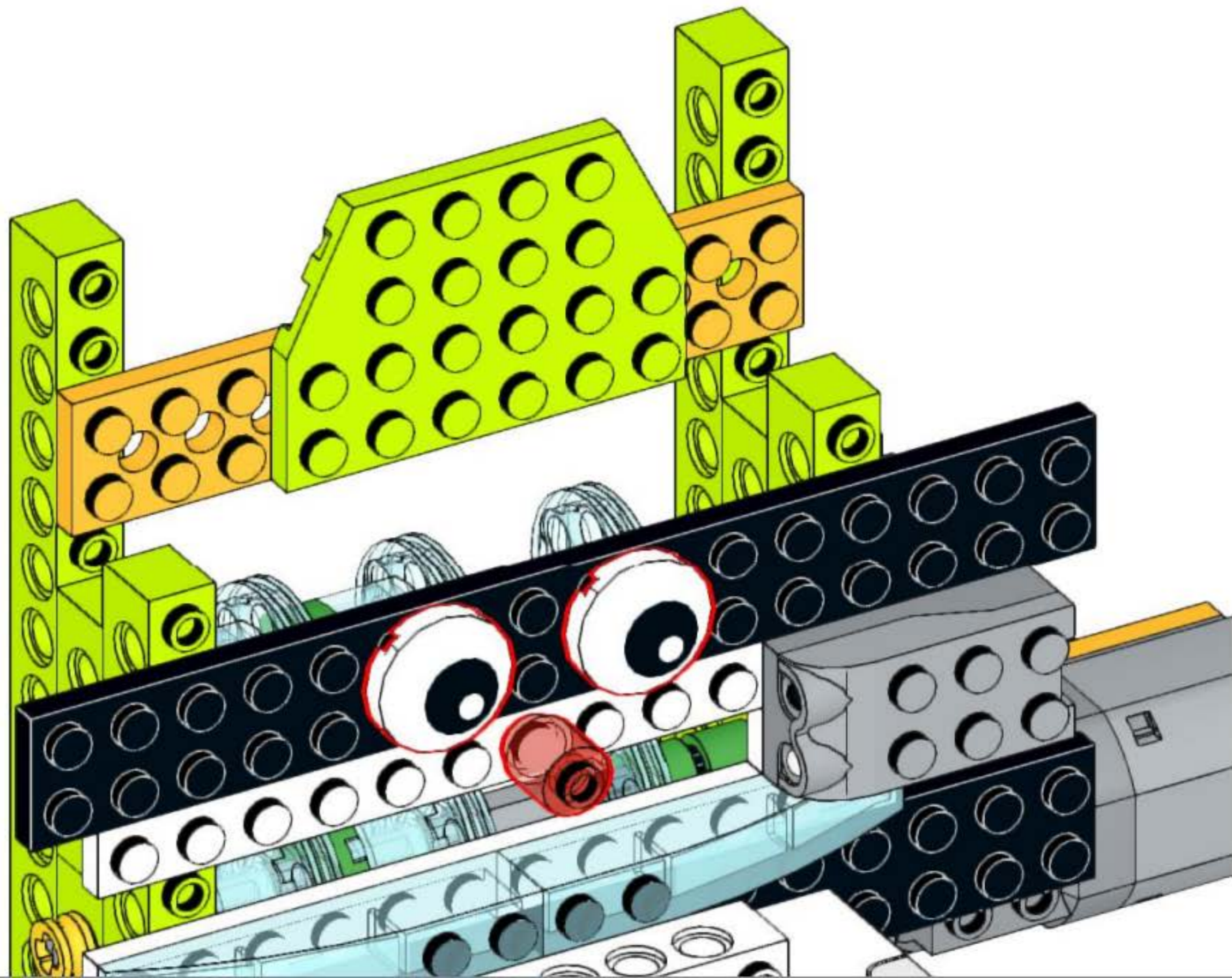
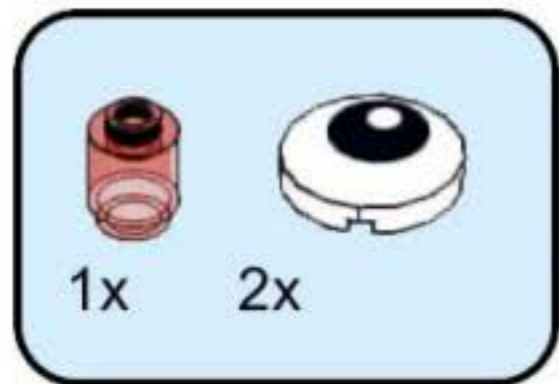
25



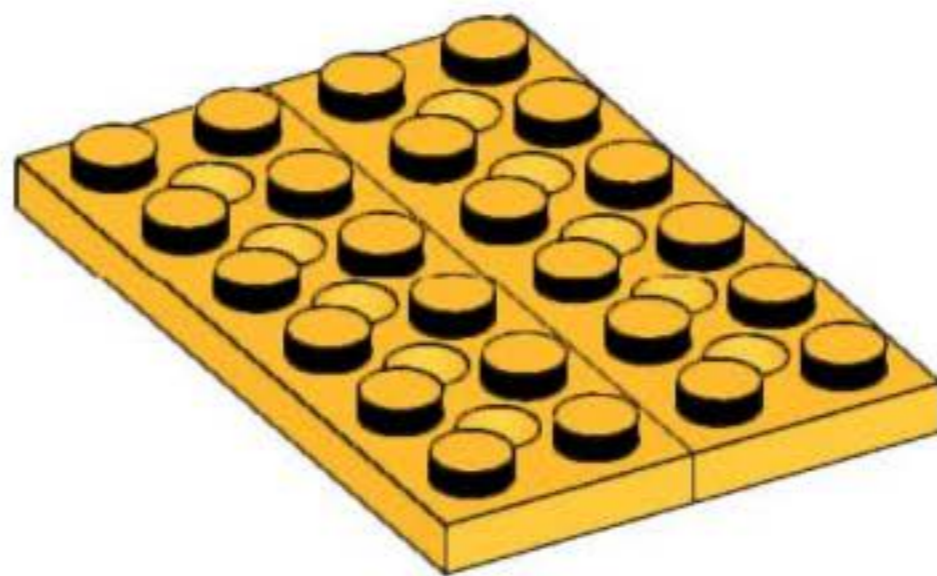
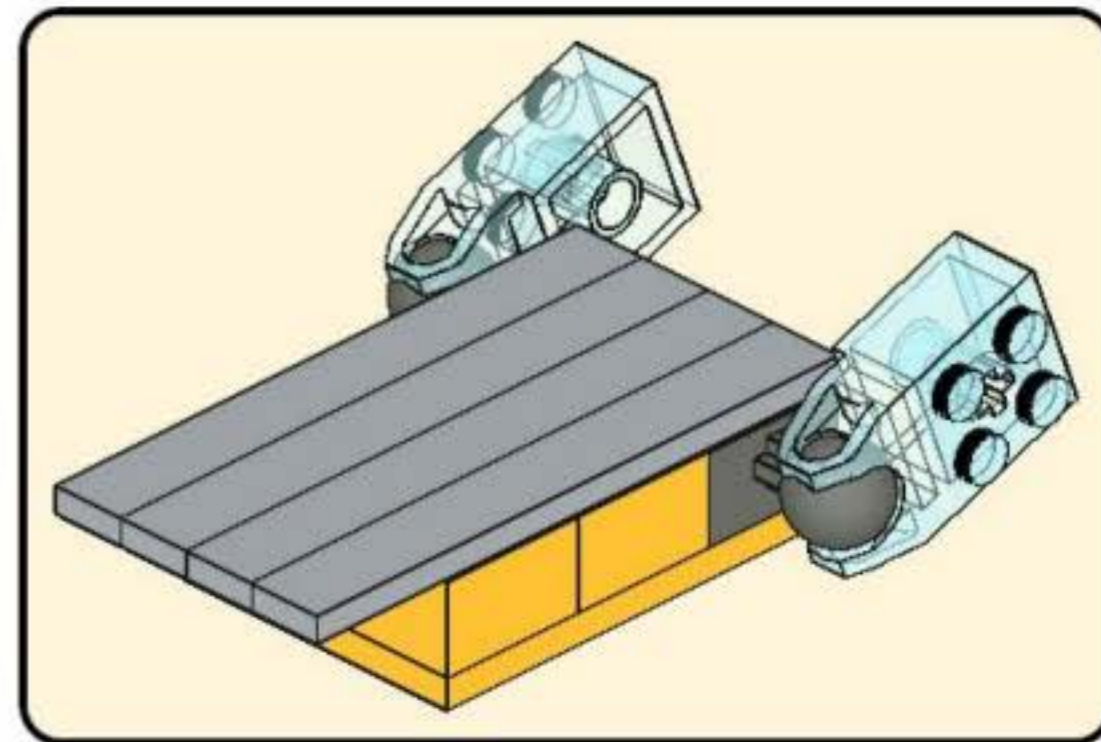
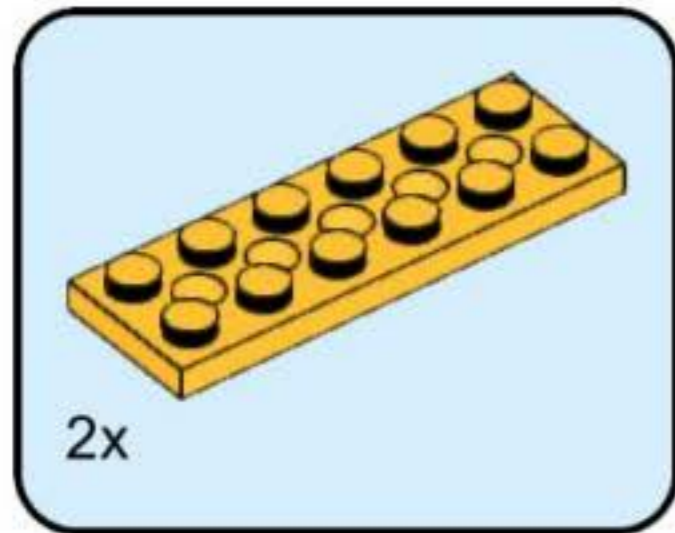
26



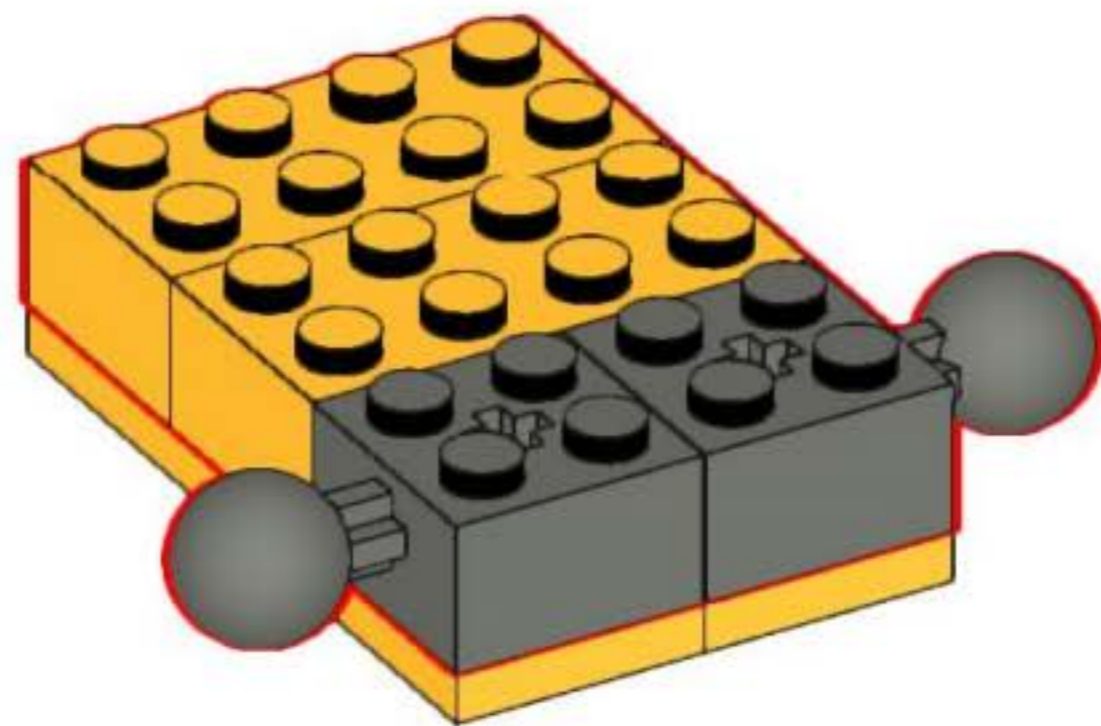
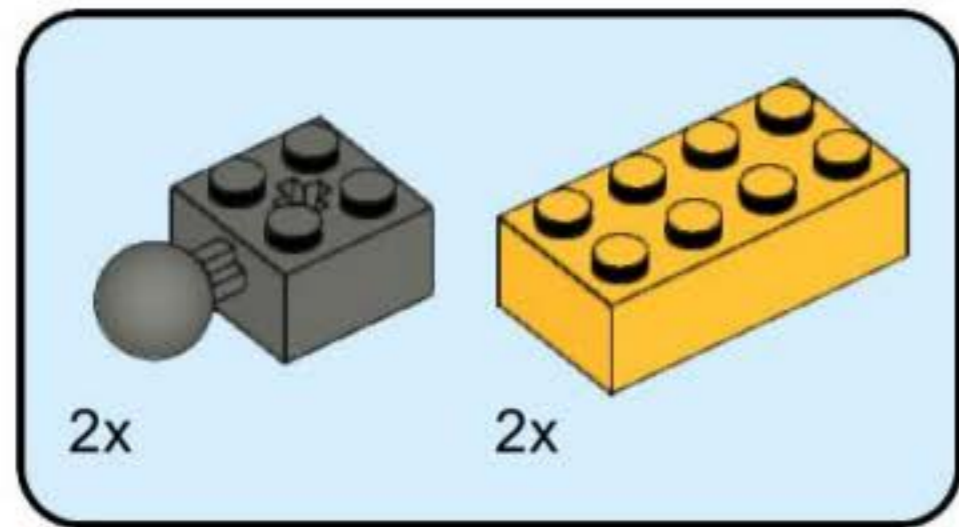
27



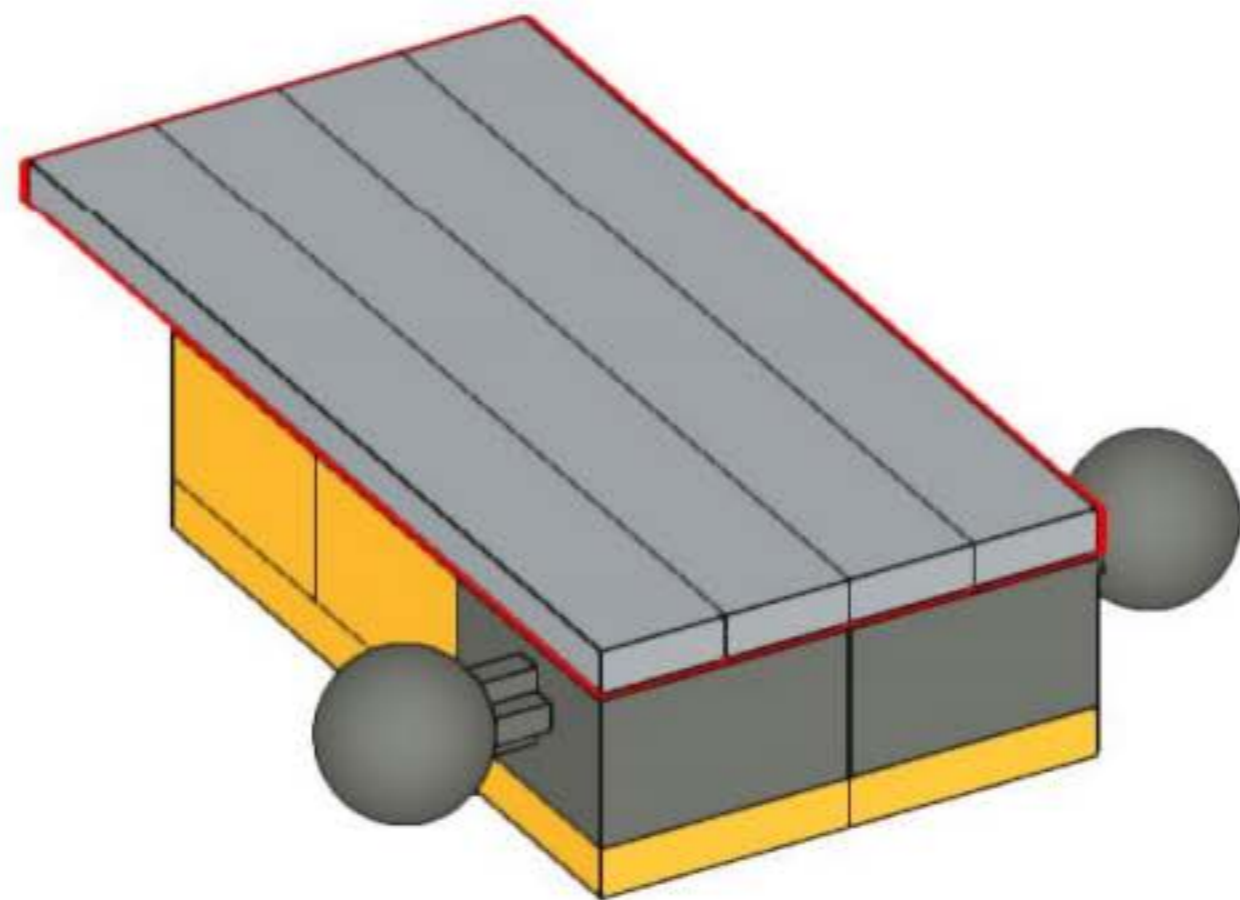
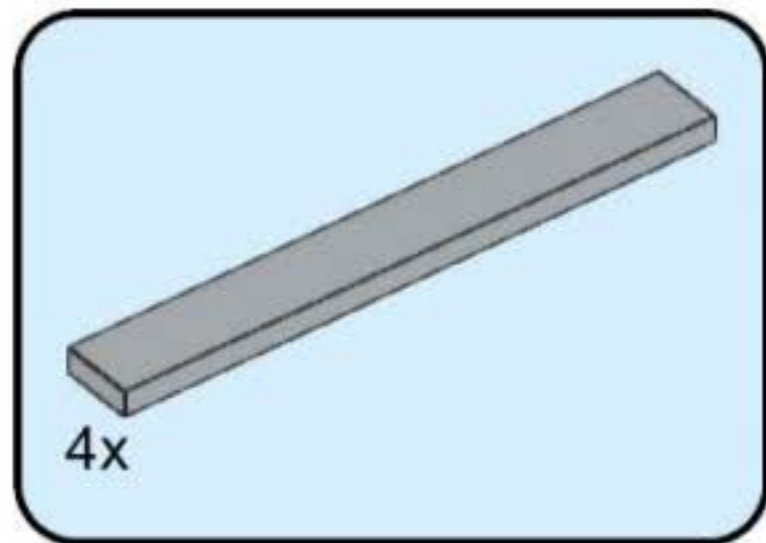
28



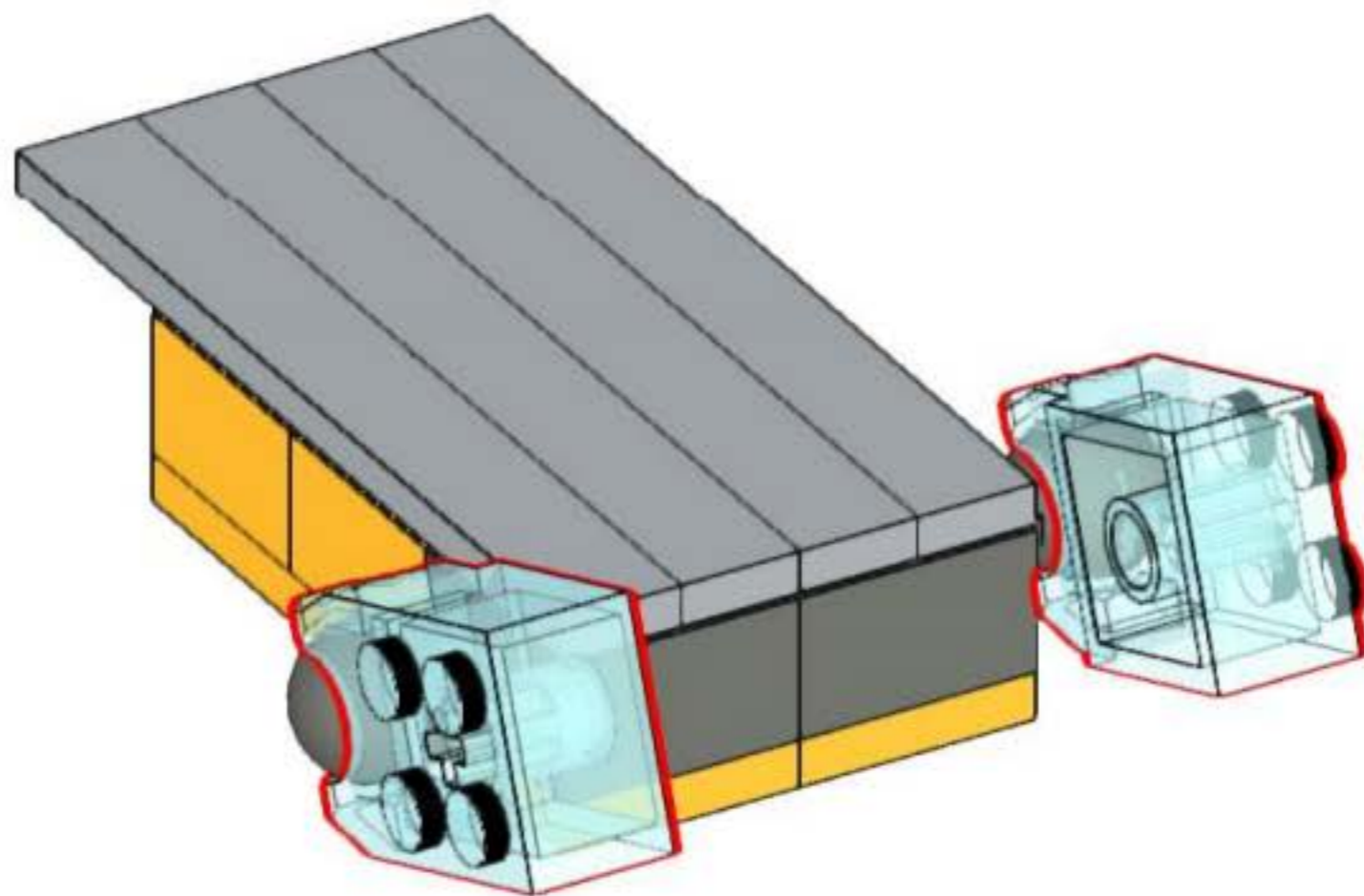
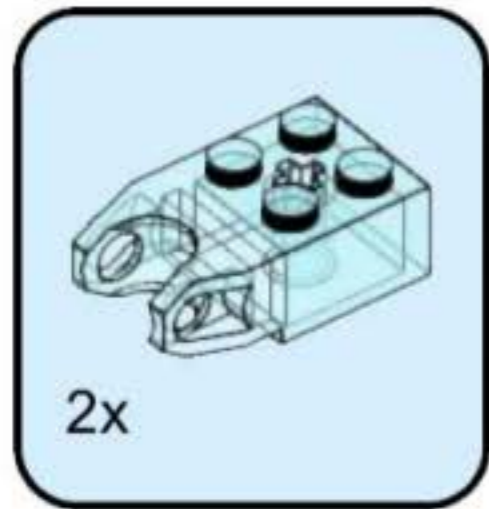
29



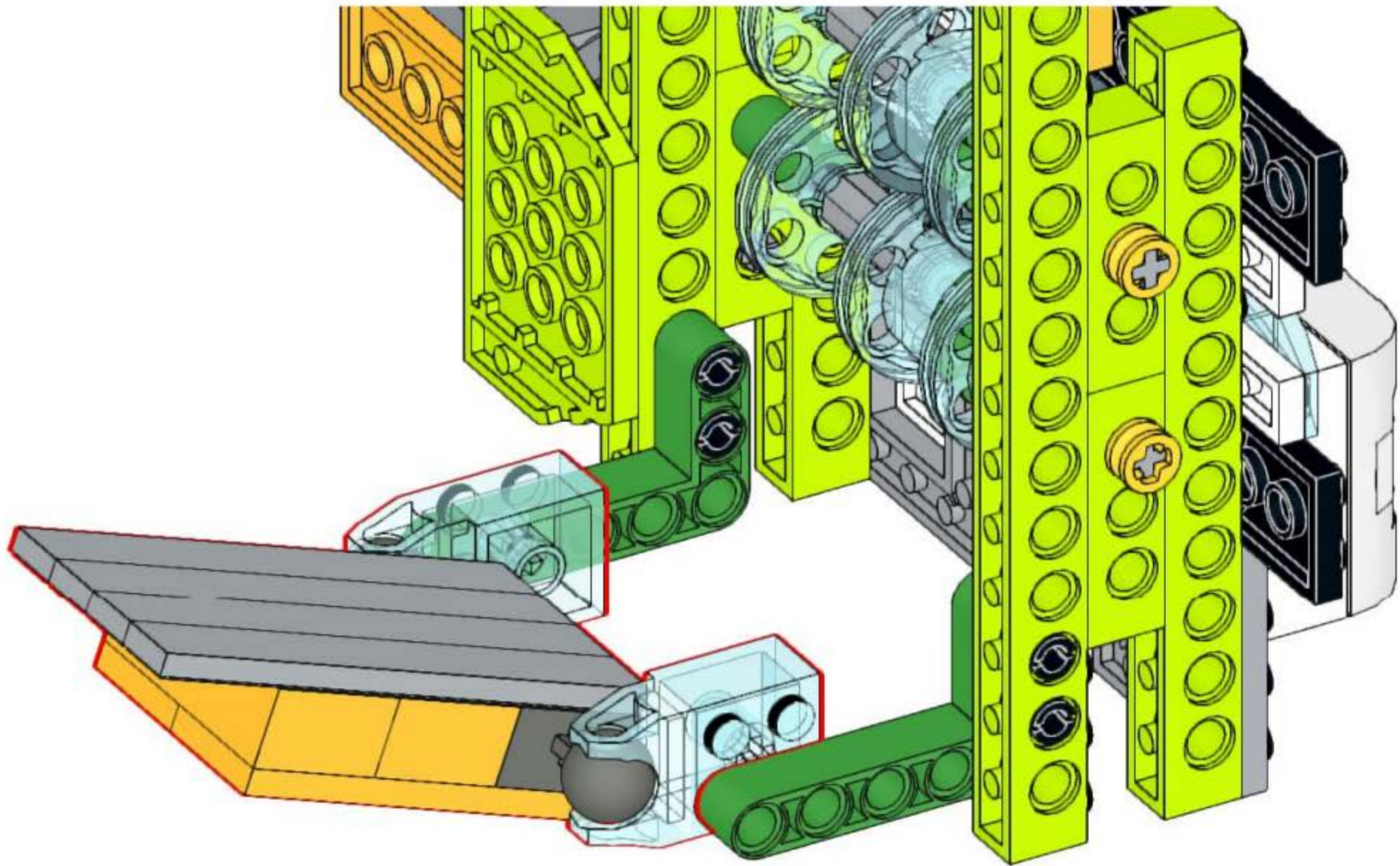
30

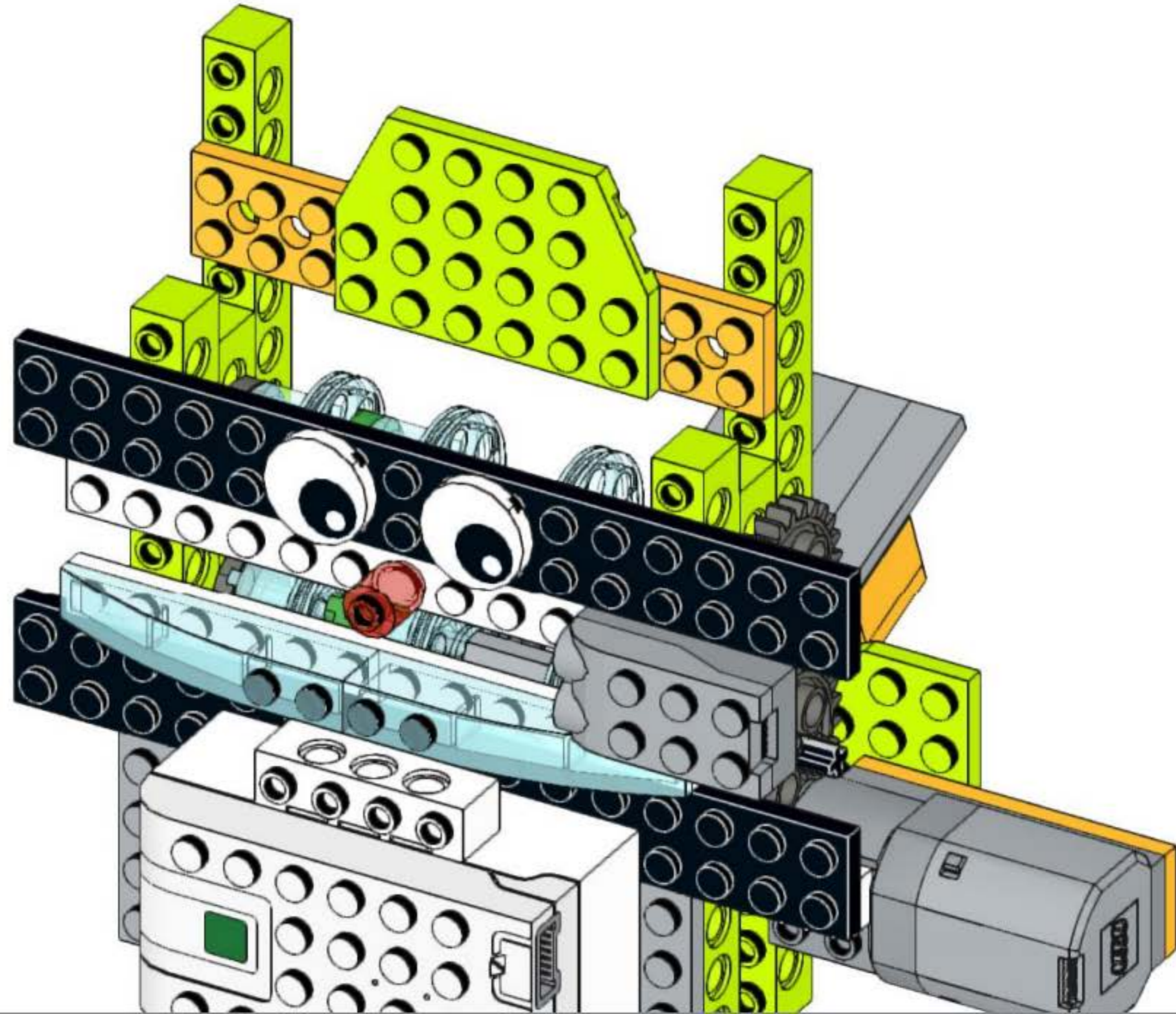


31



32





WeDo program code

* ATM only accepts money

