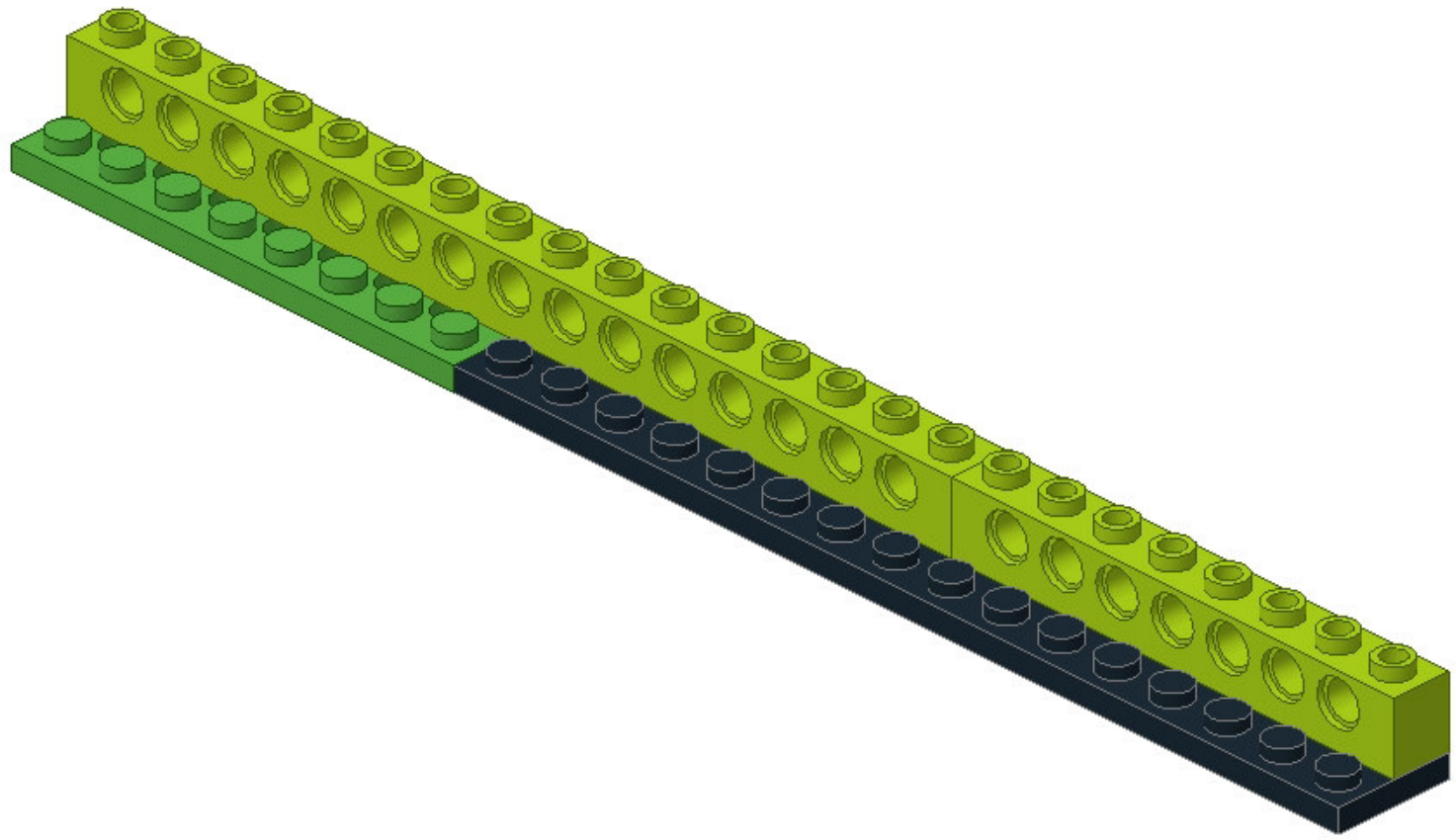
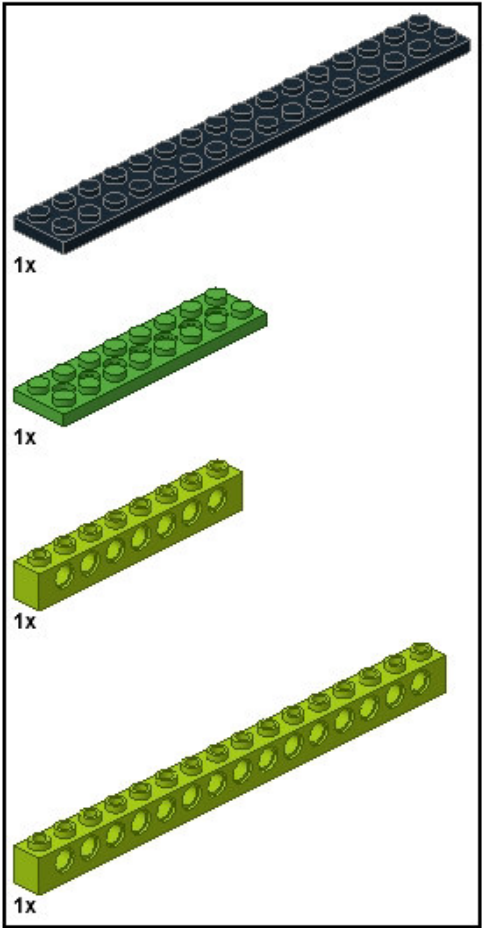


## Model for WeDo 2.0: Basketbot

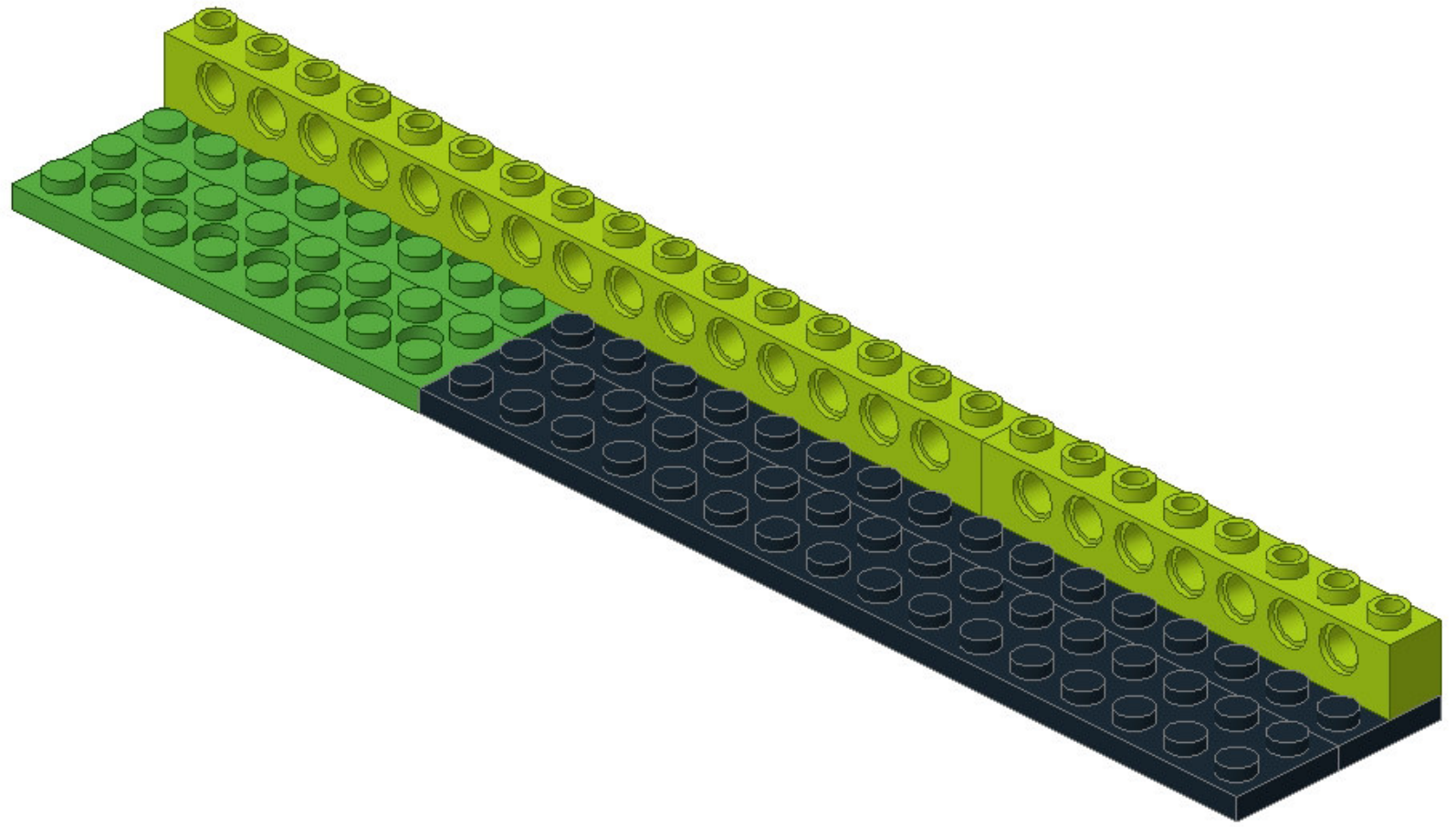
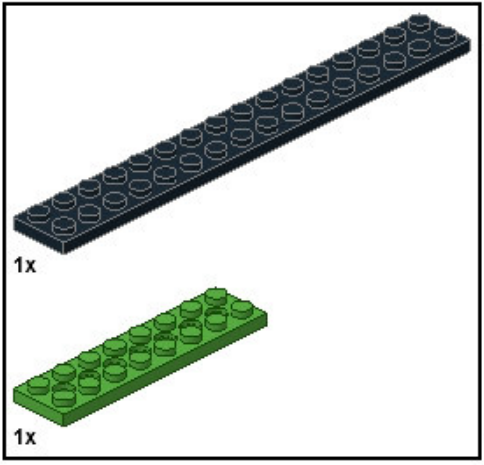


1

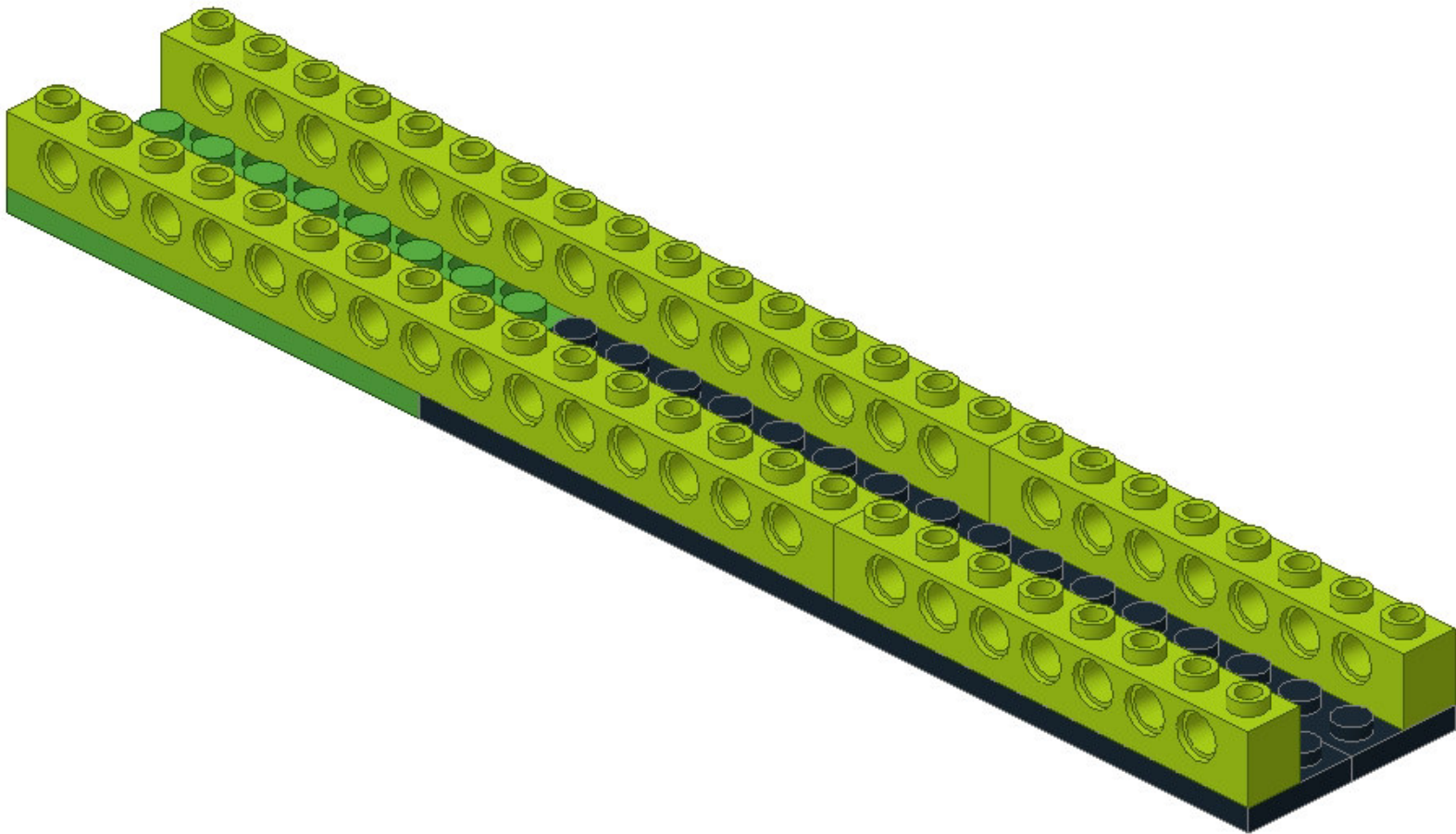
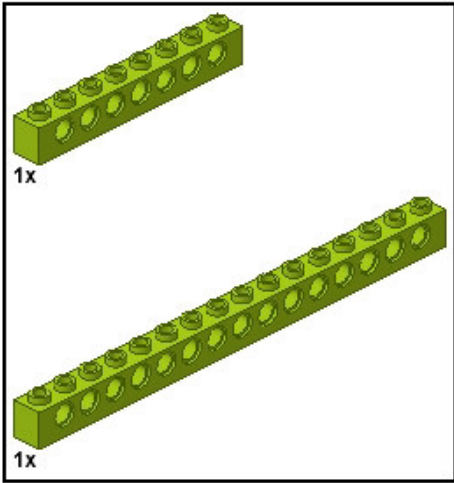


1

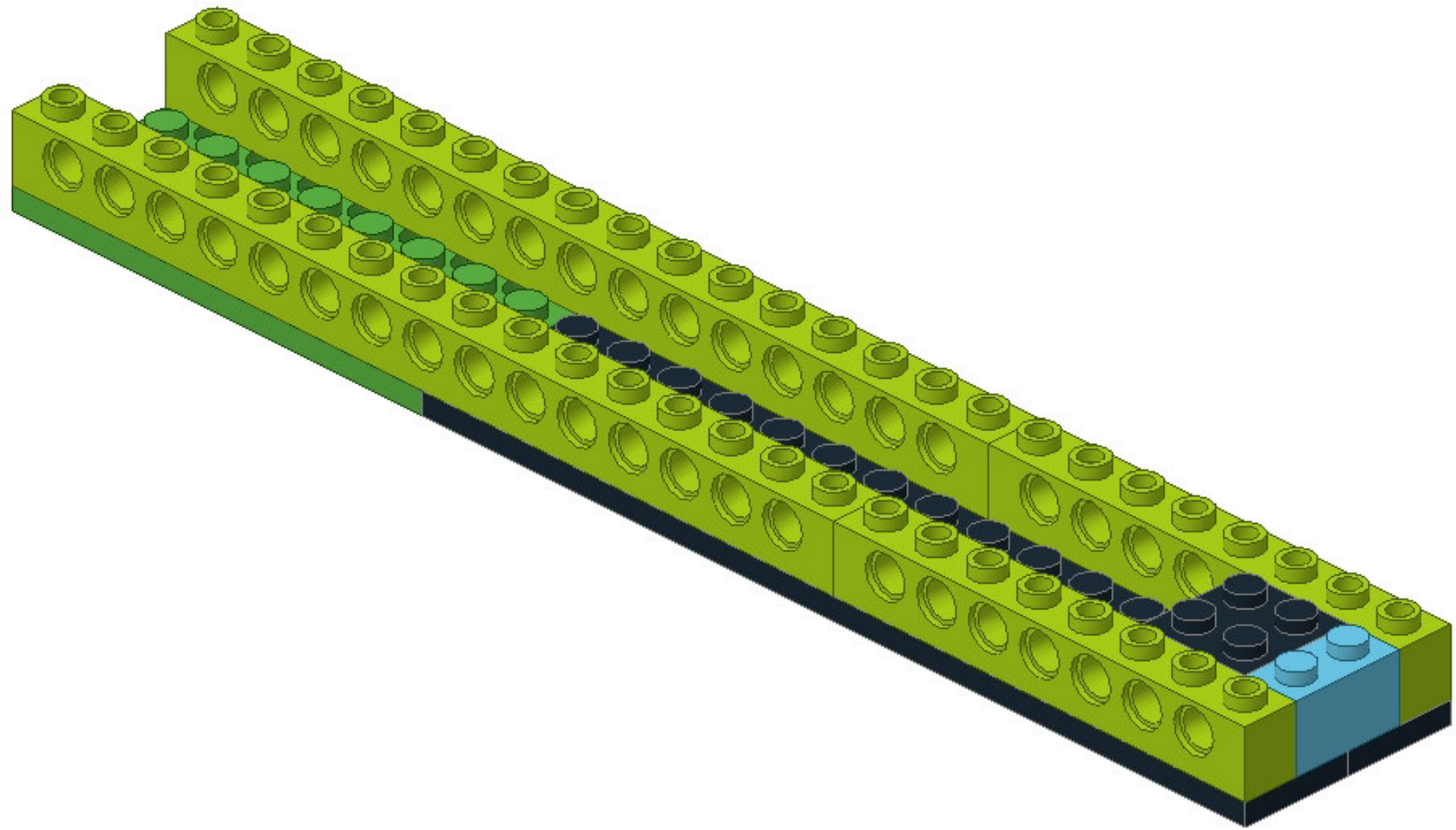
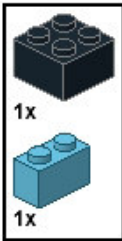
2



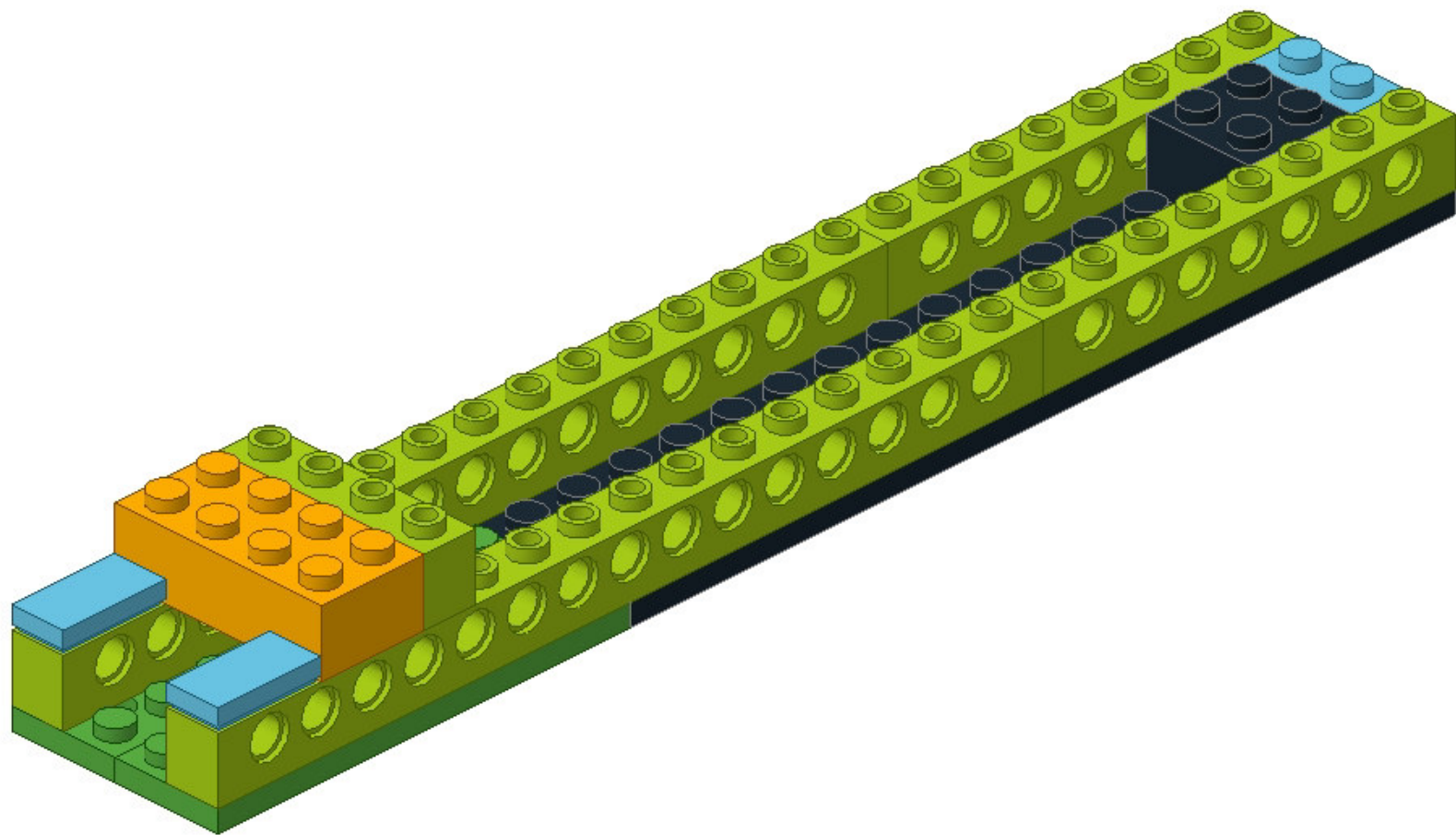
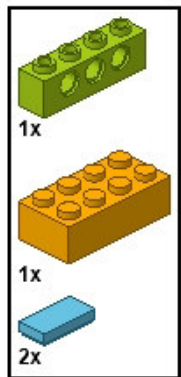
3



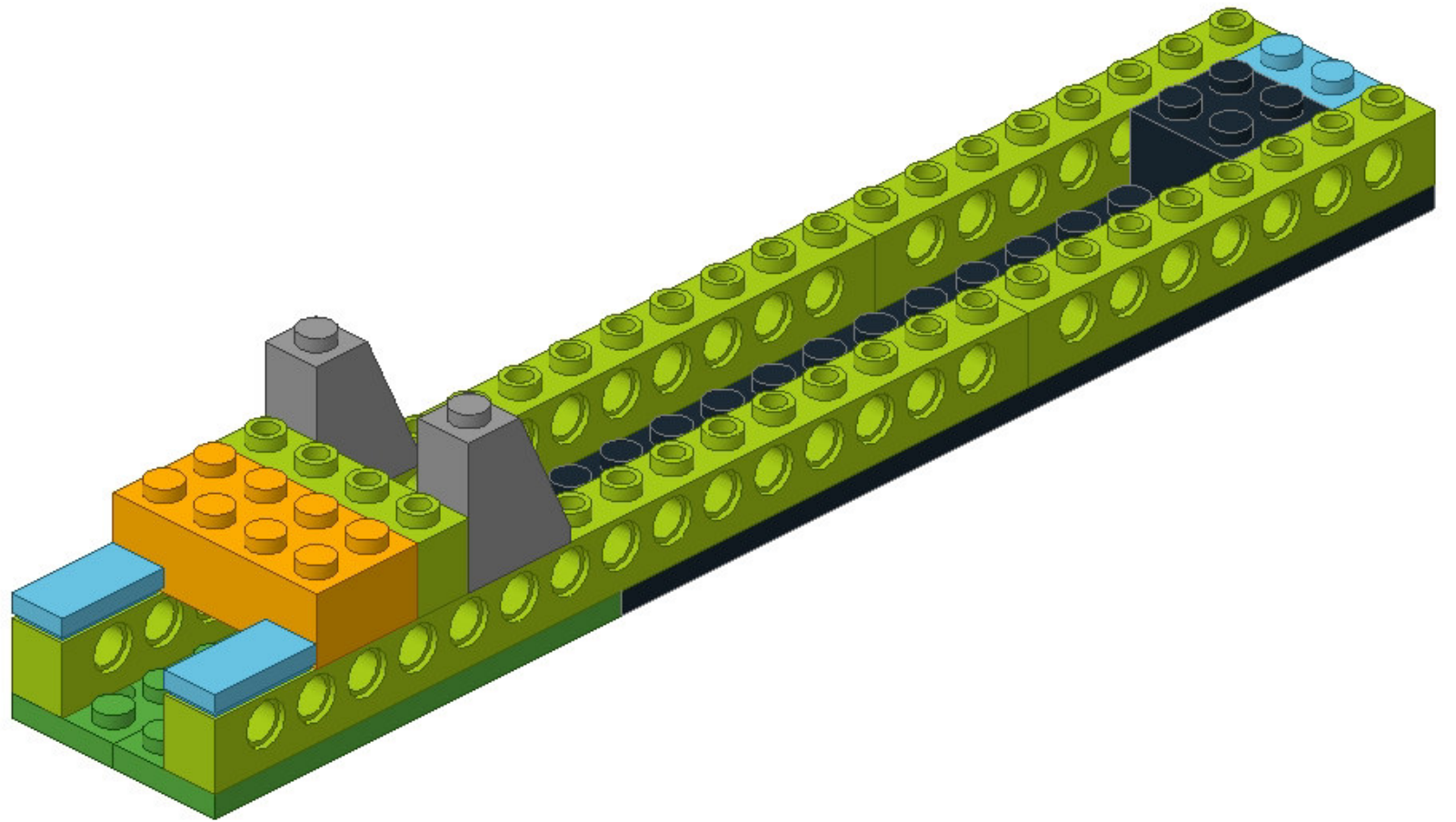
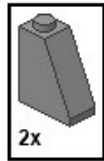
4



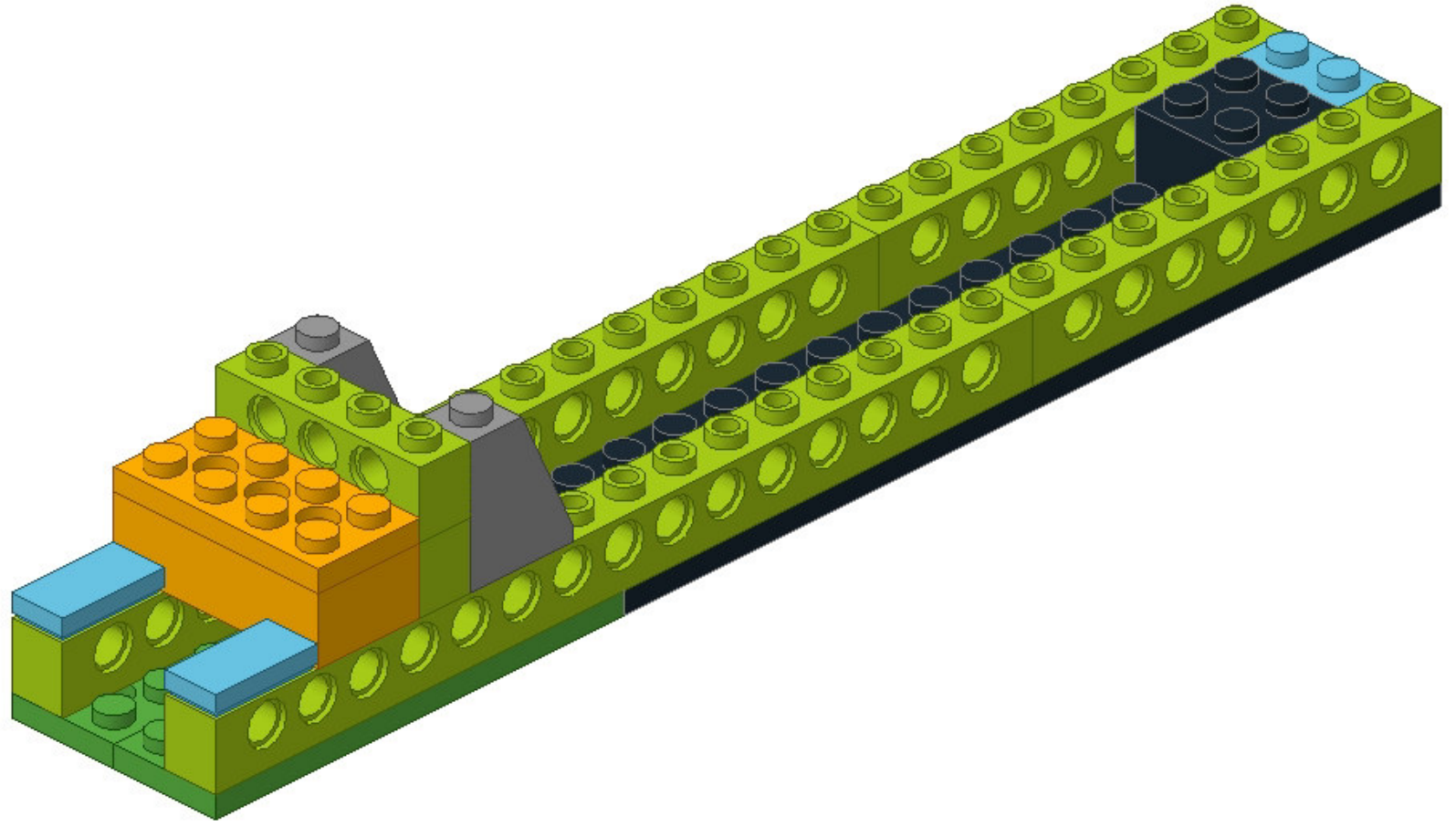
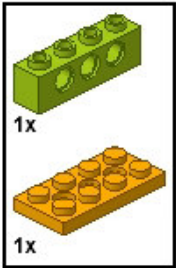
5



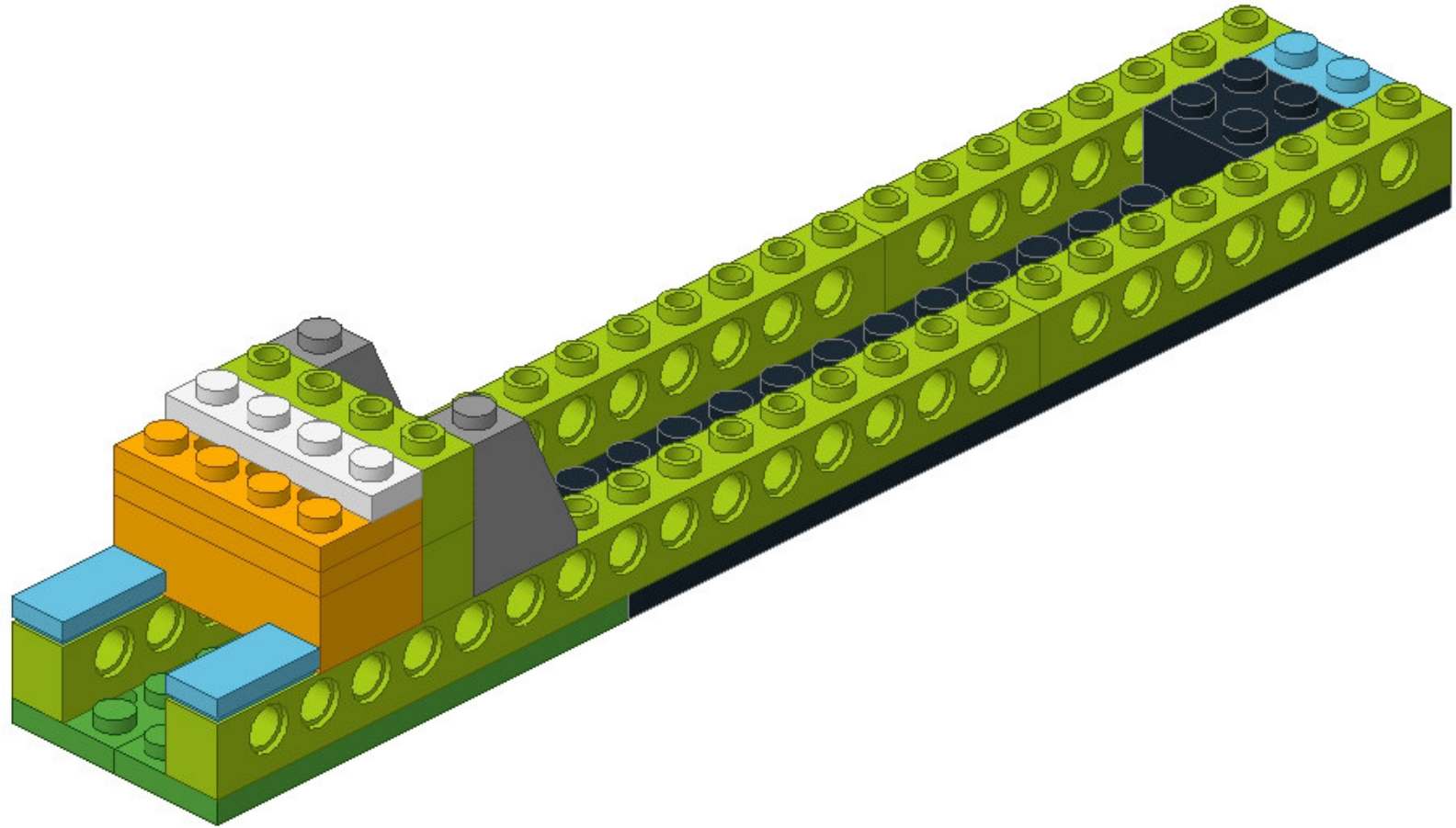
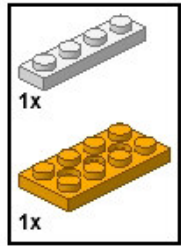
6

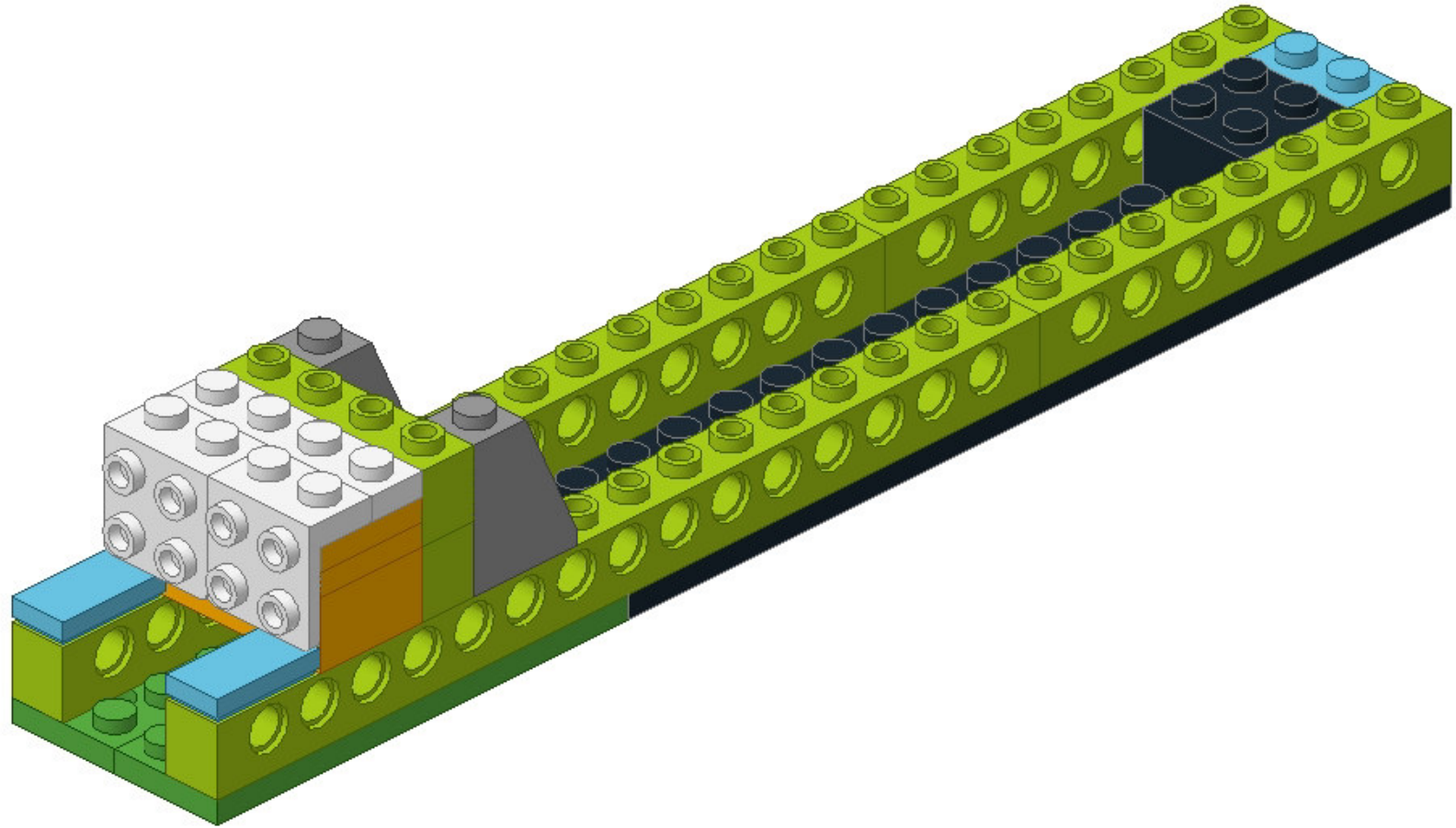
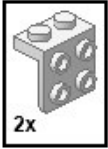


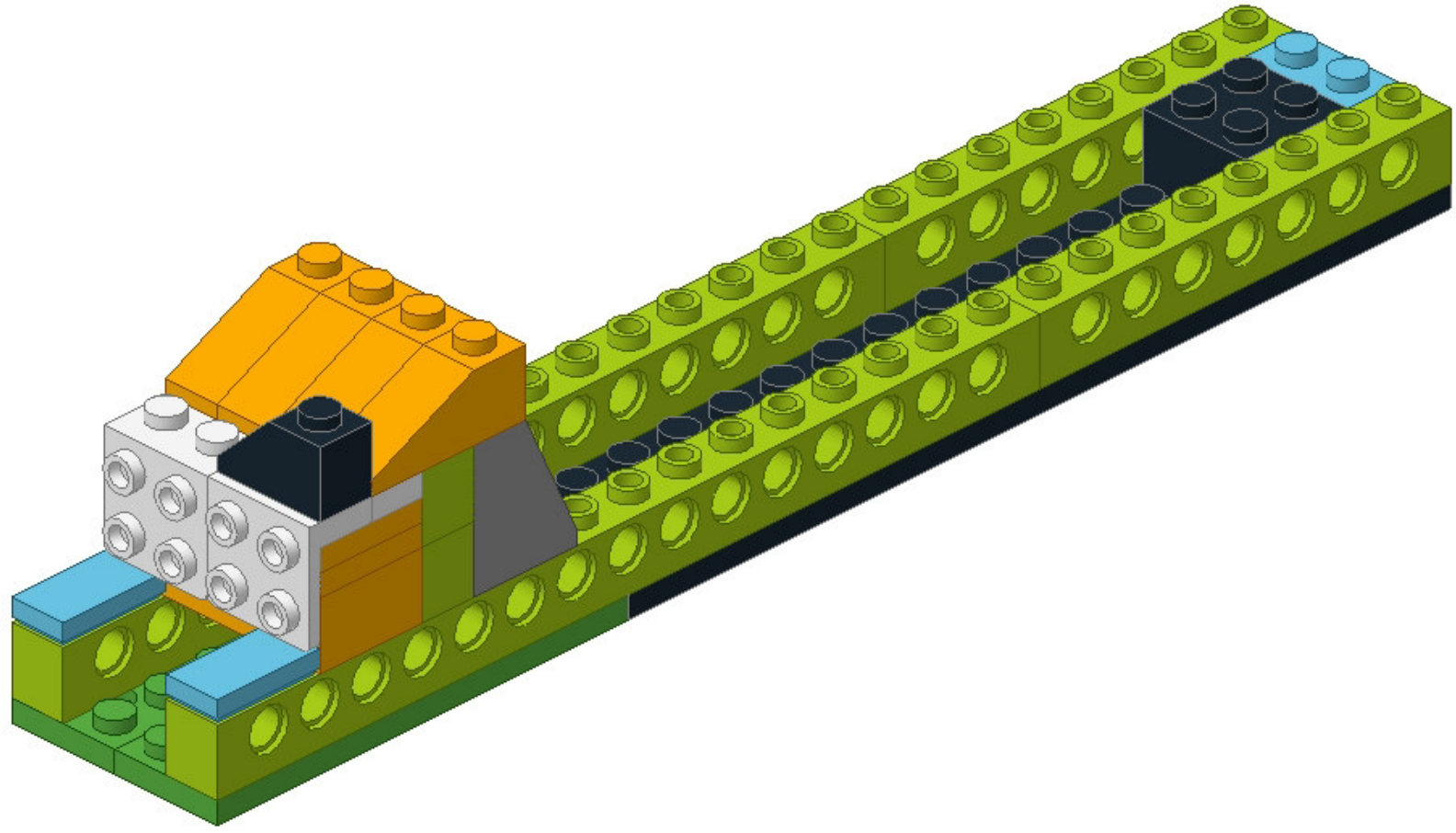
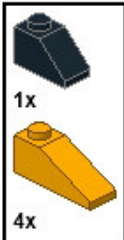
7



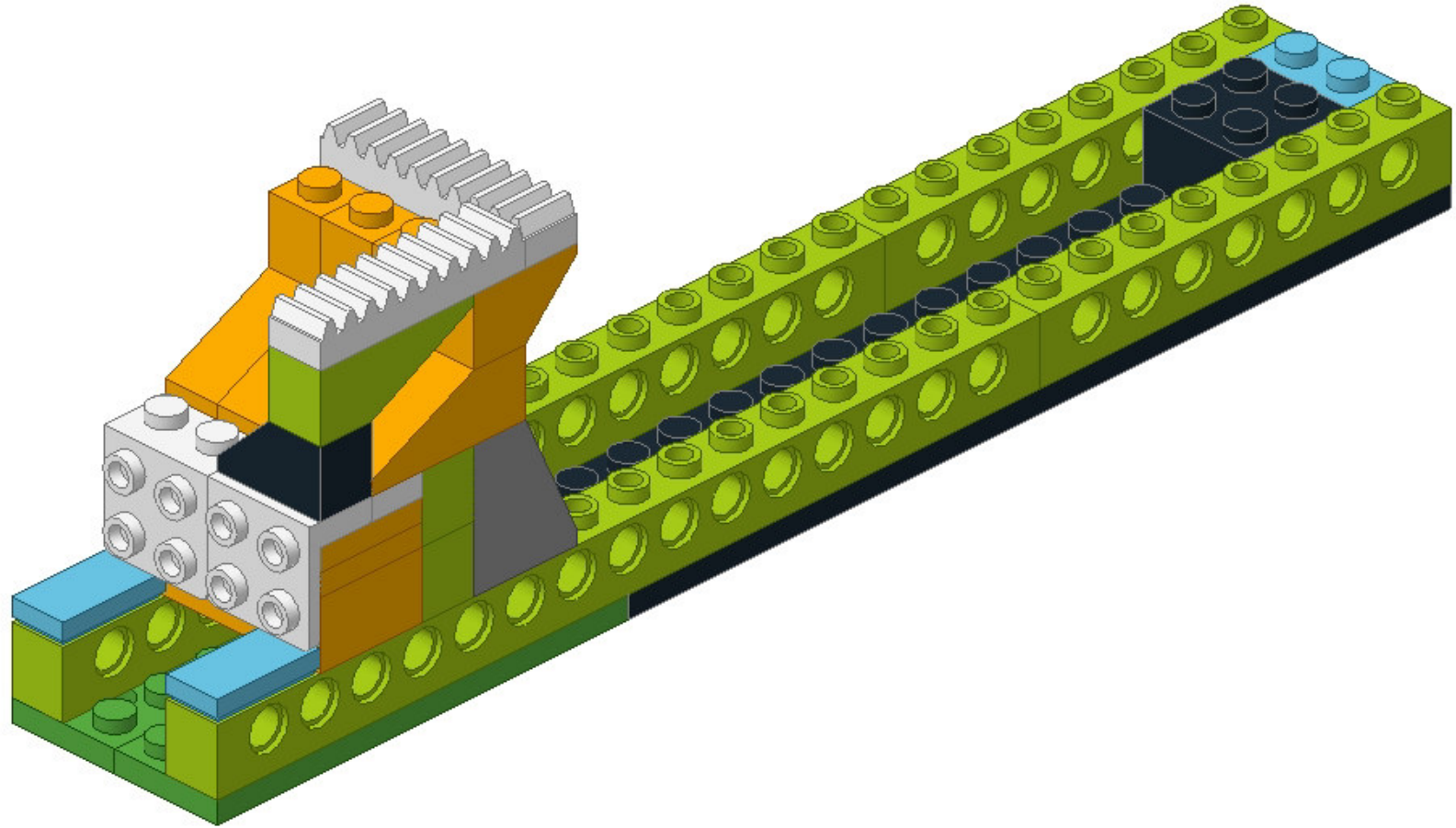
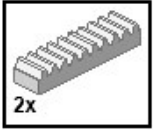




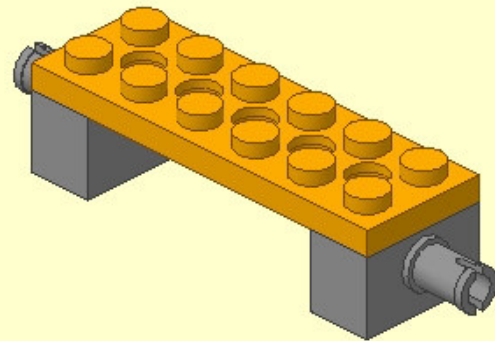
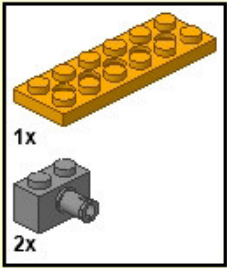




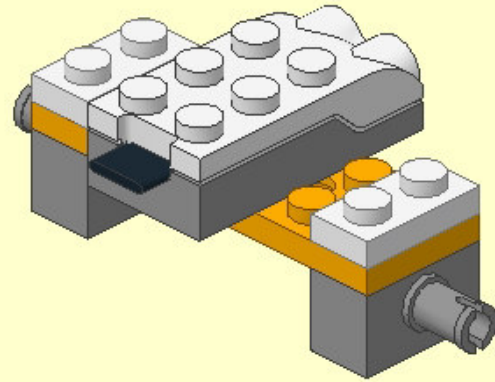
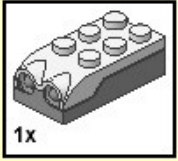




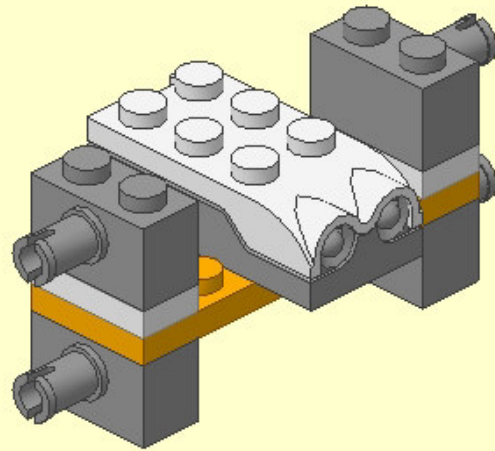
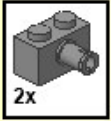
1



3

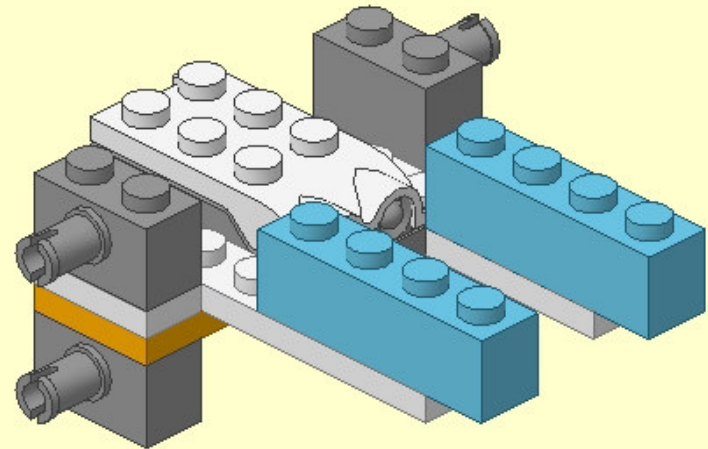
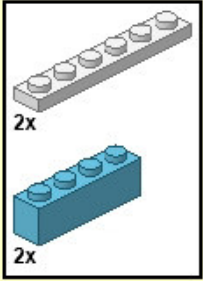


4

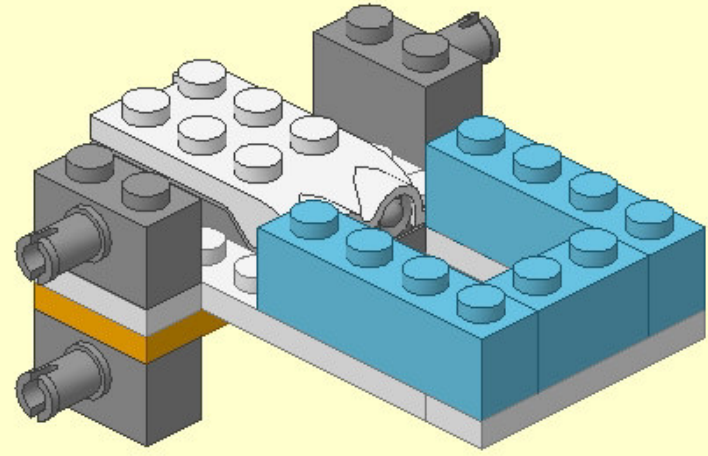
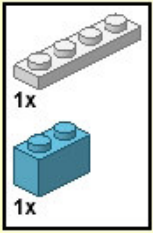




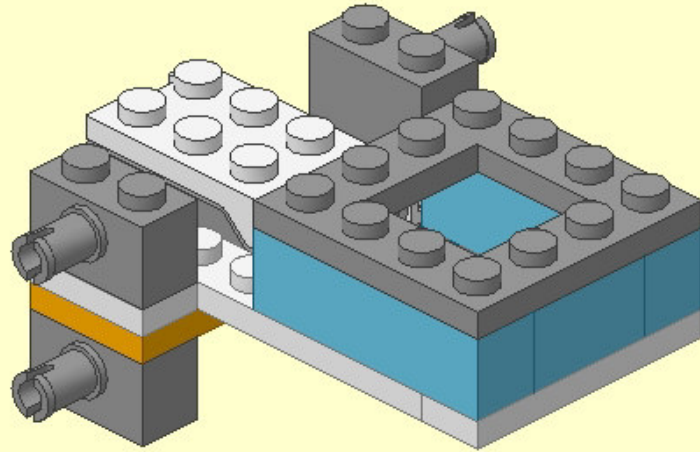
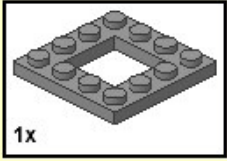
5



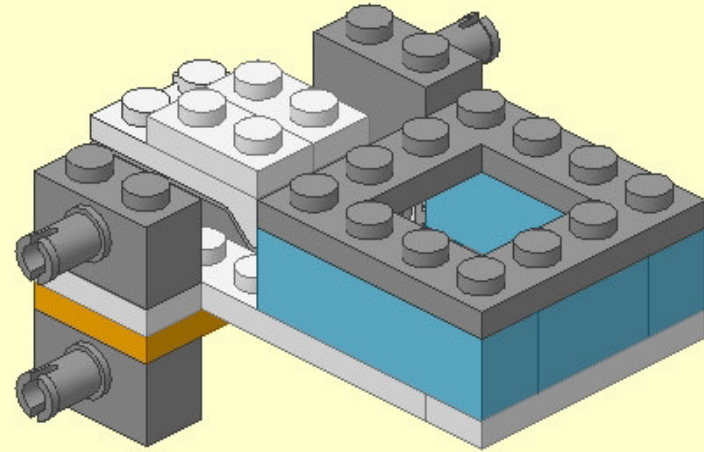
6



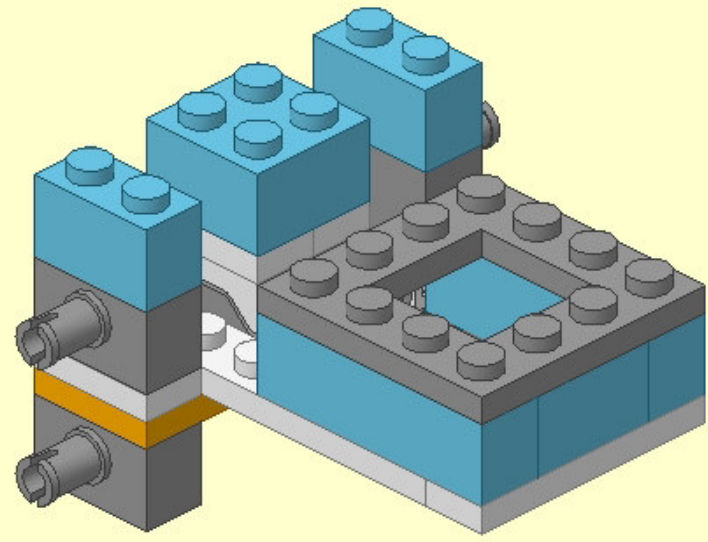
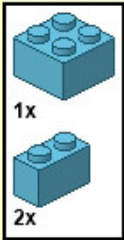
7



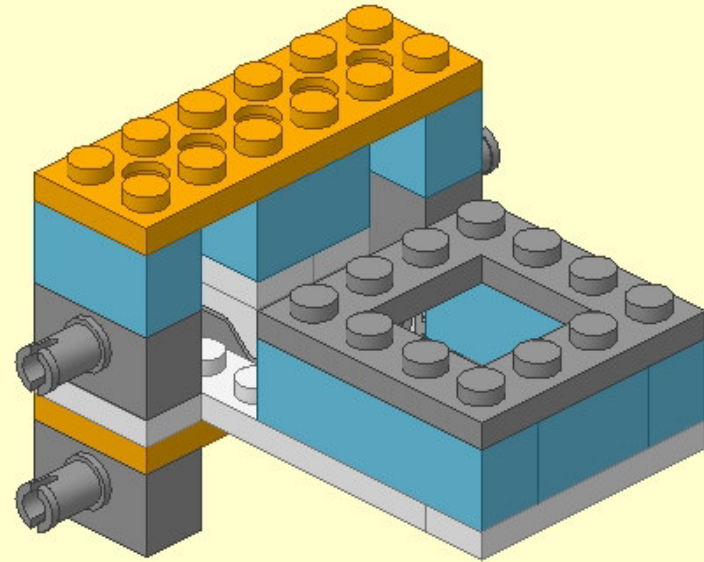
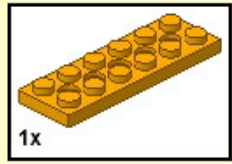
8

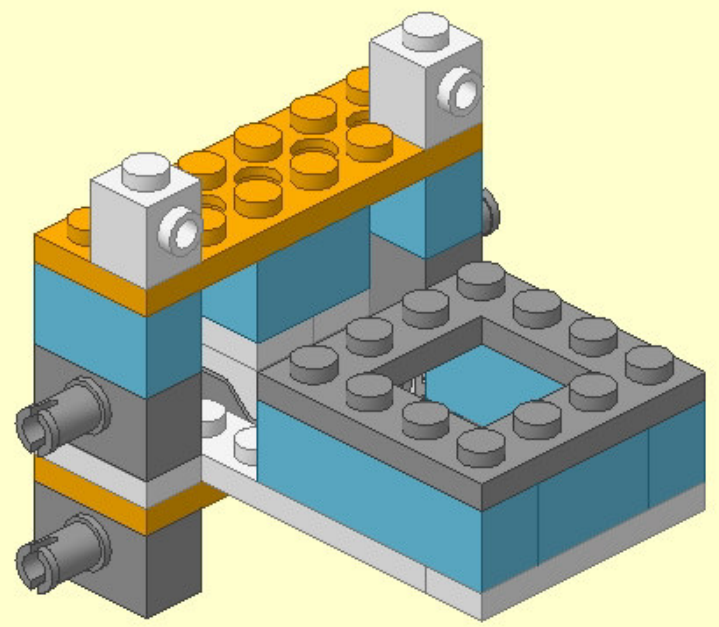


9

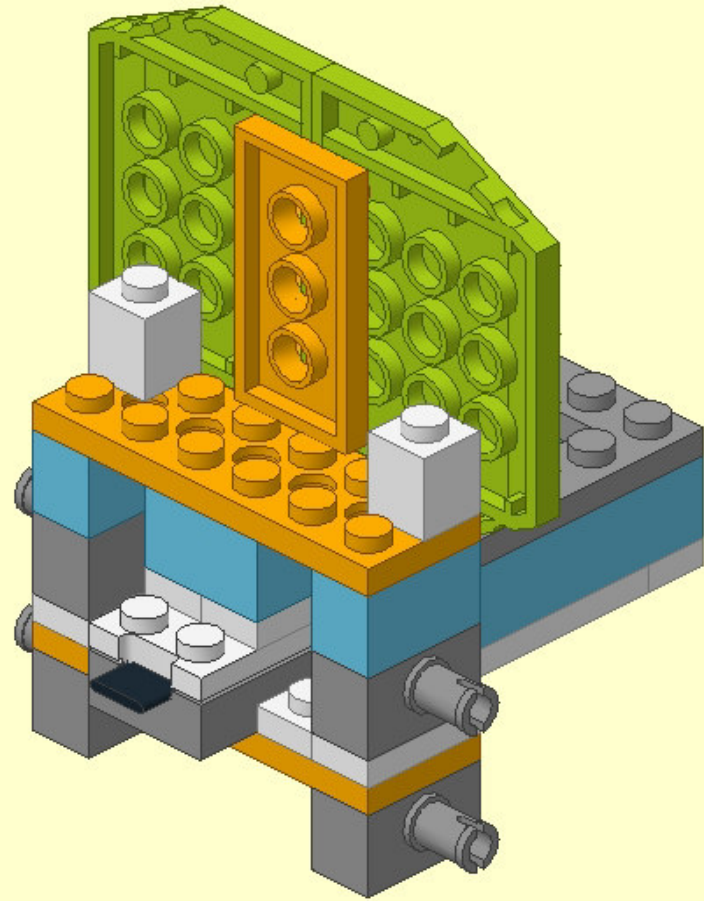
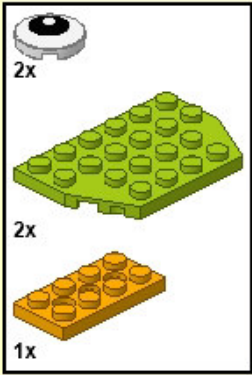


10



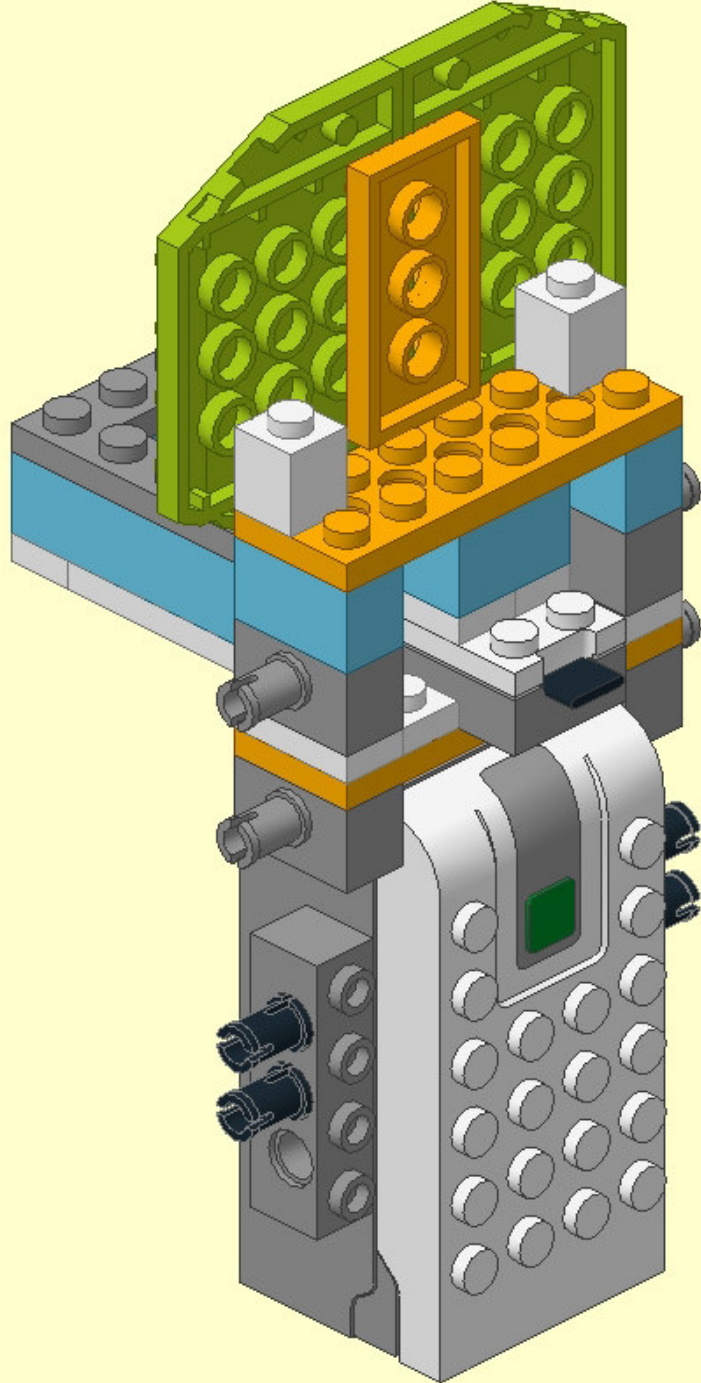
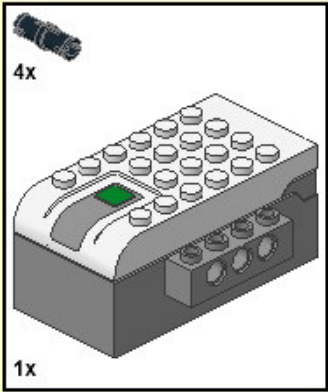


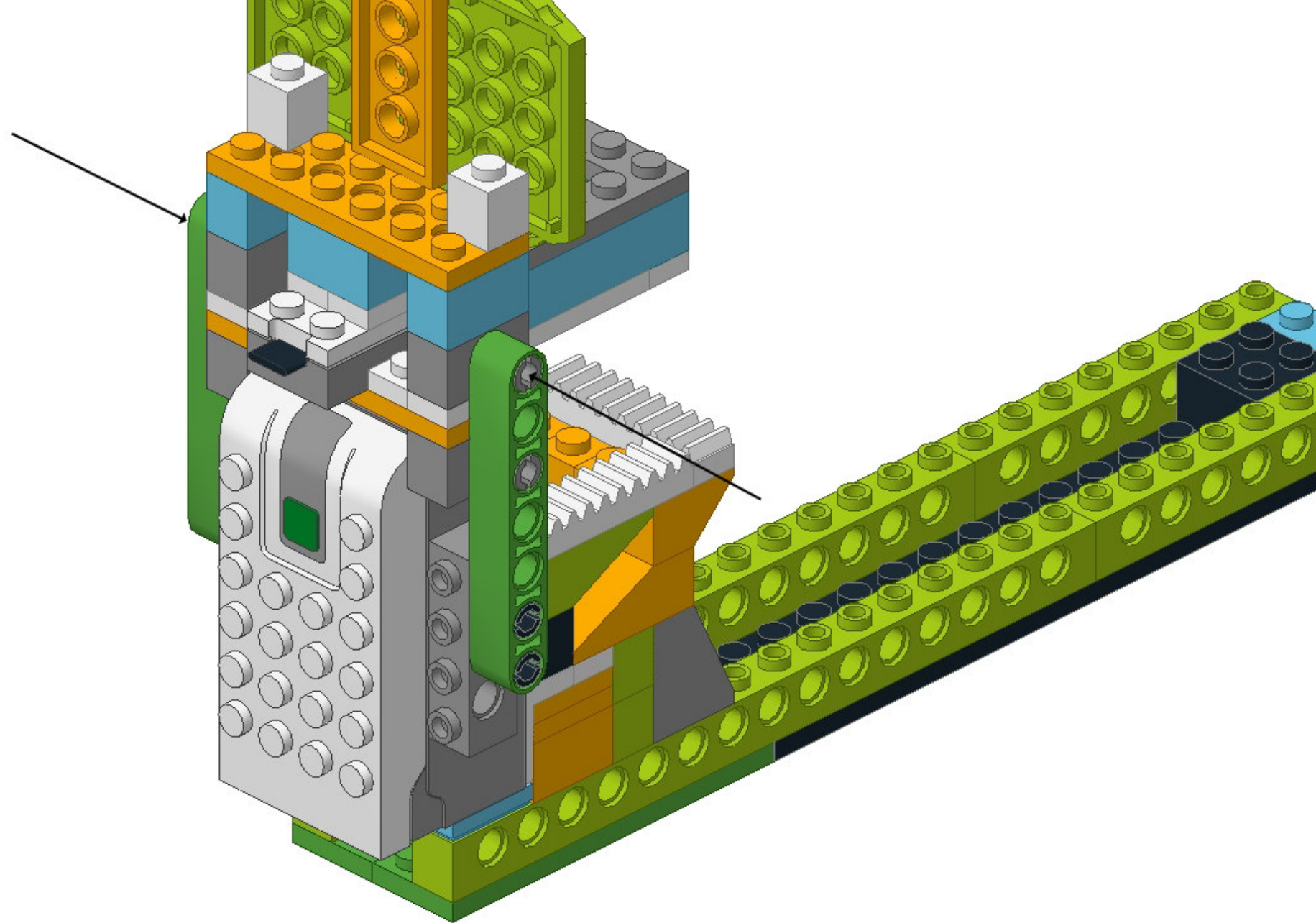
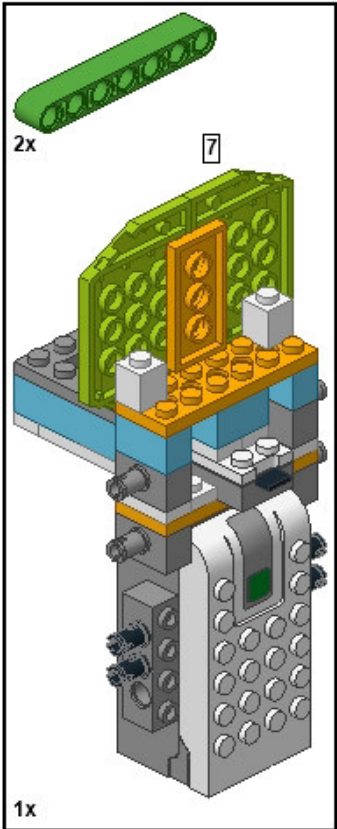
# 12



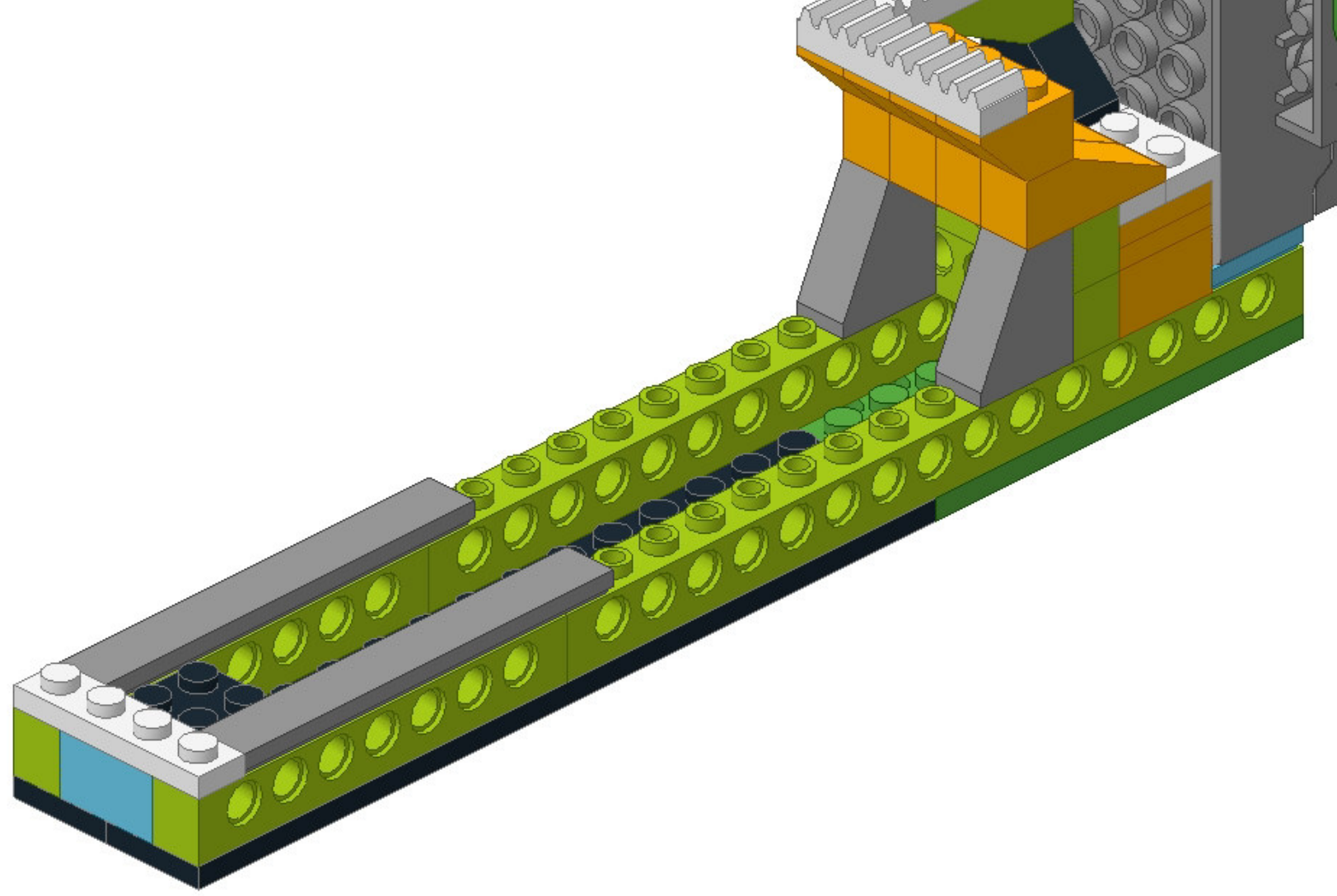
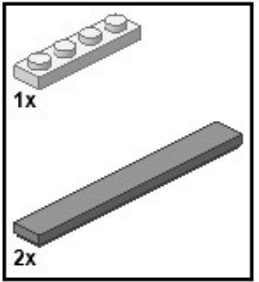


13

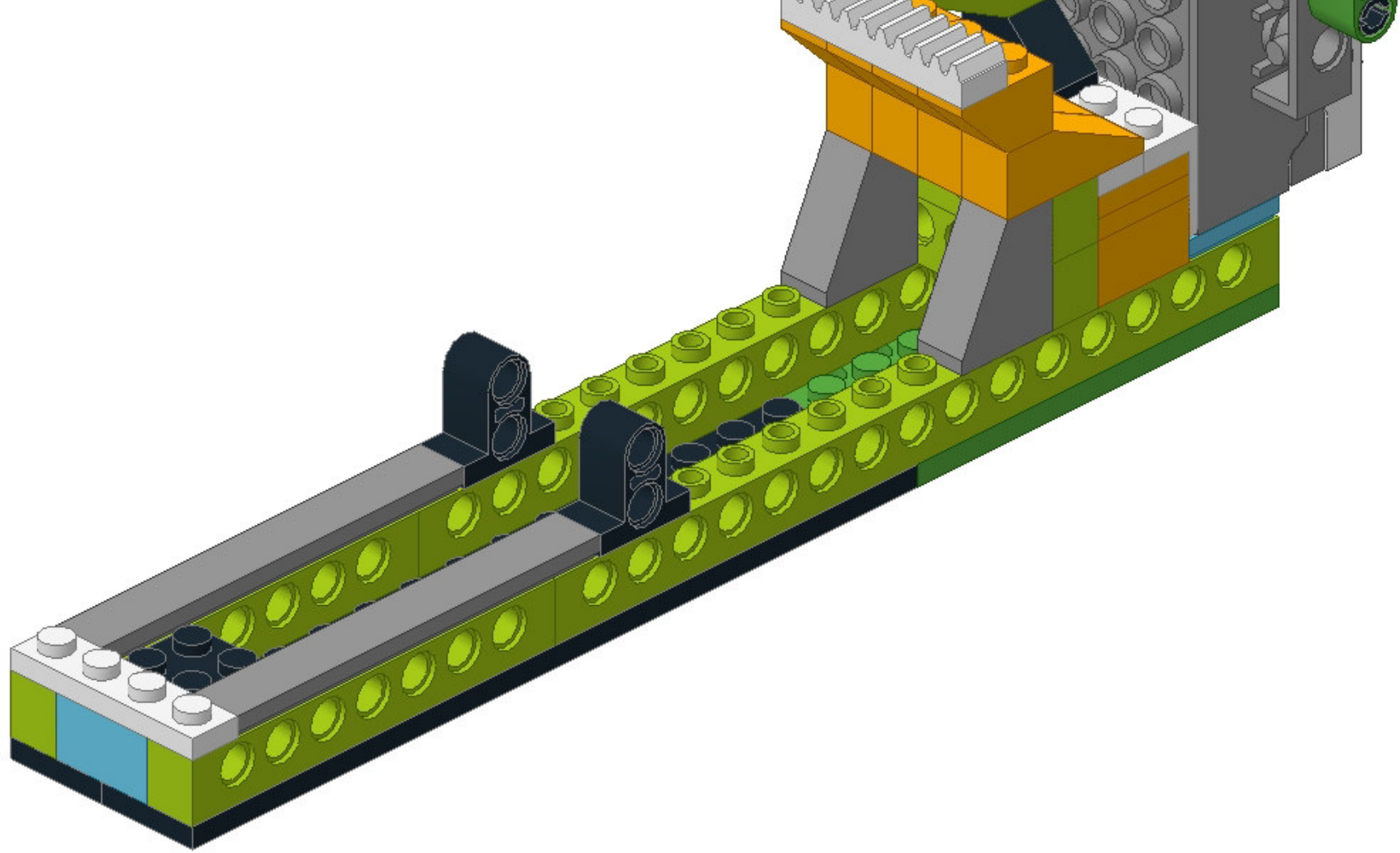




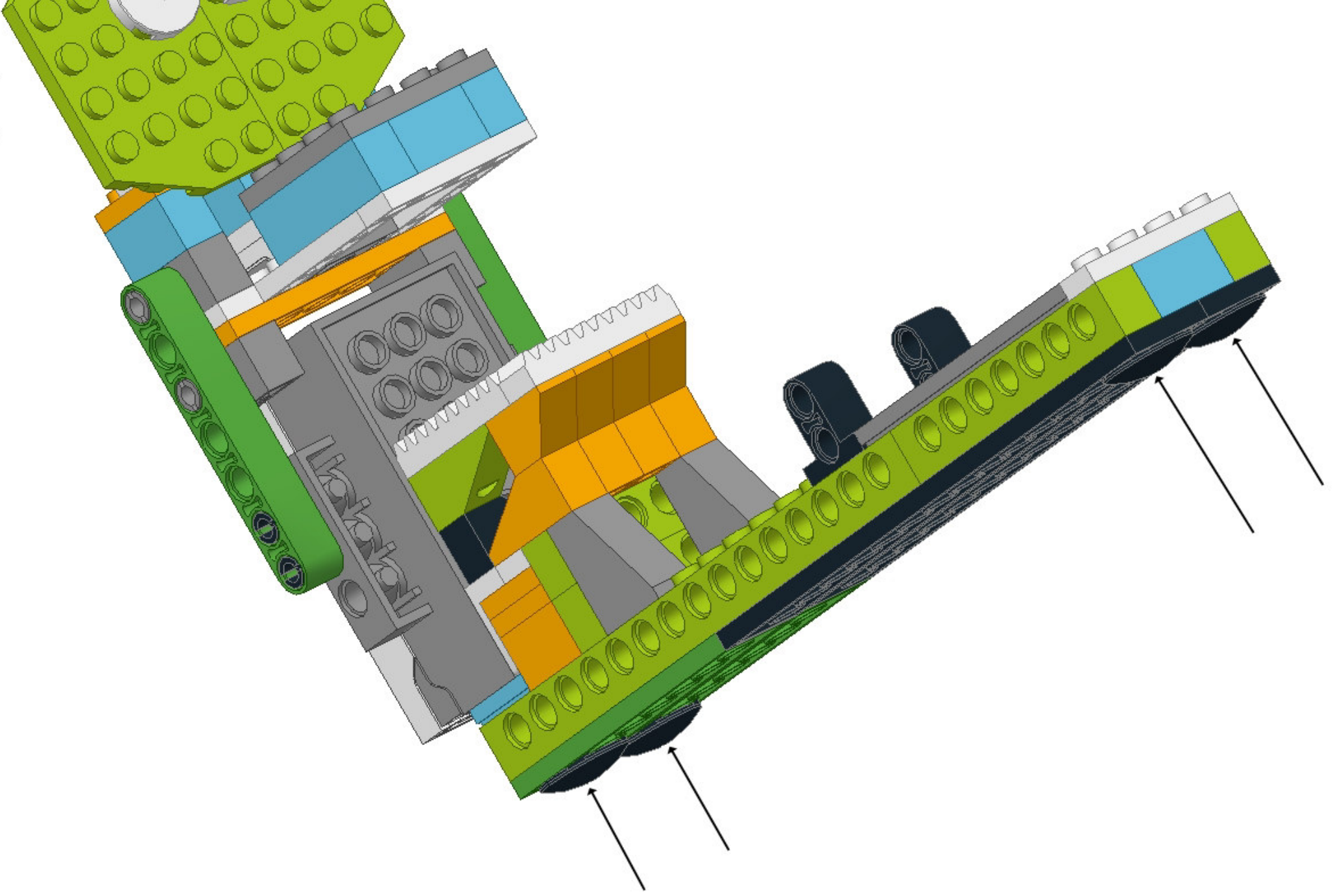
14




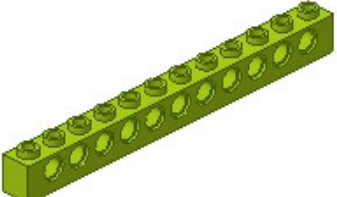


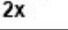


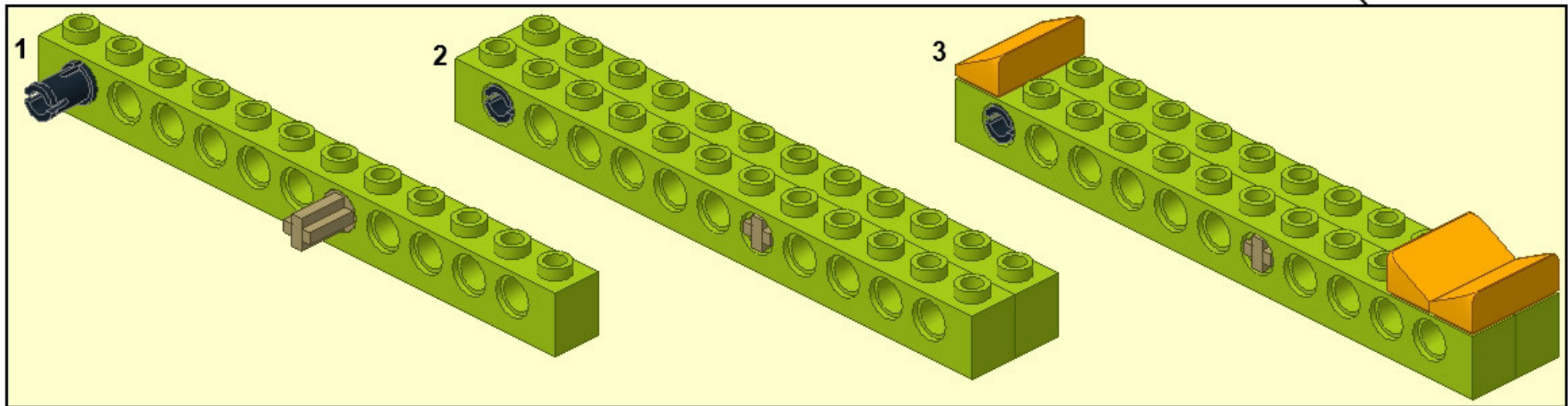
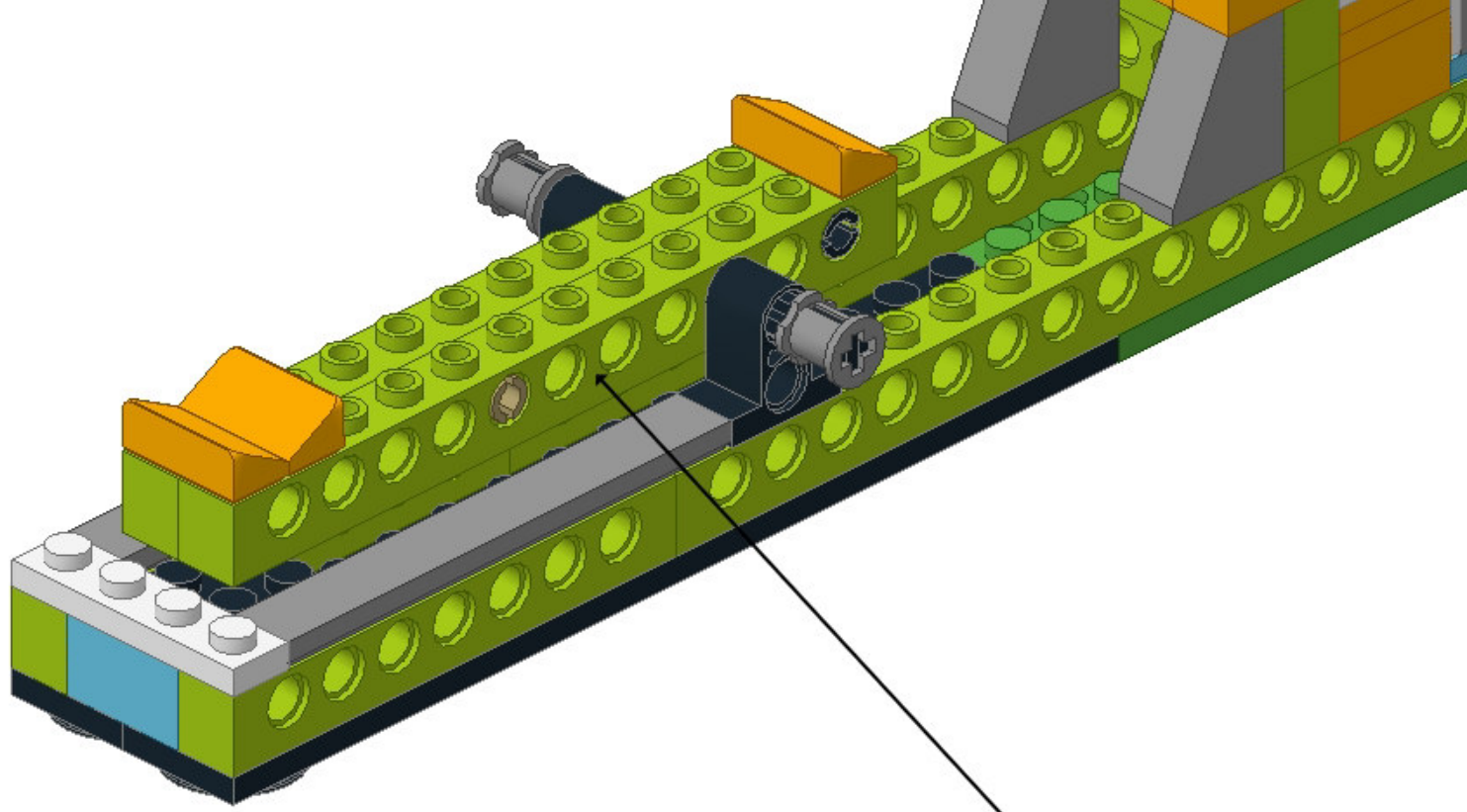
15

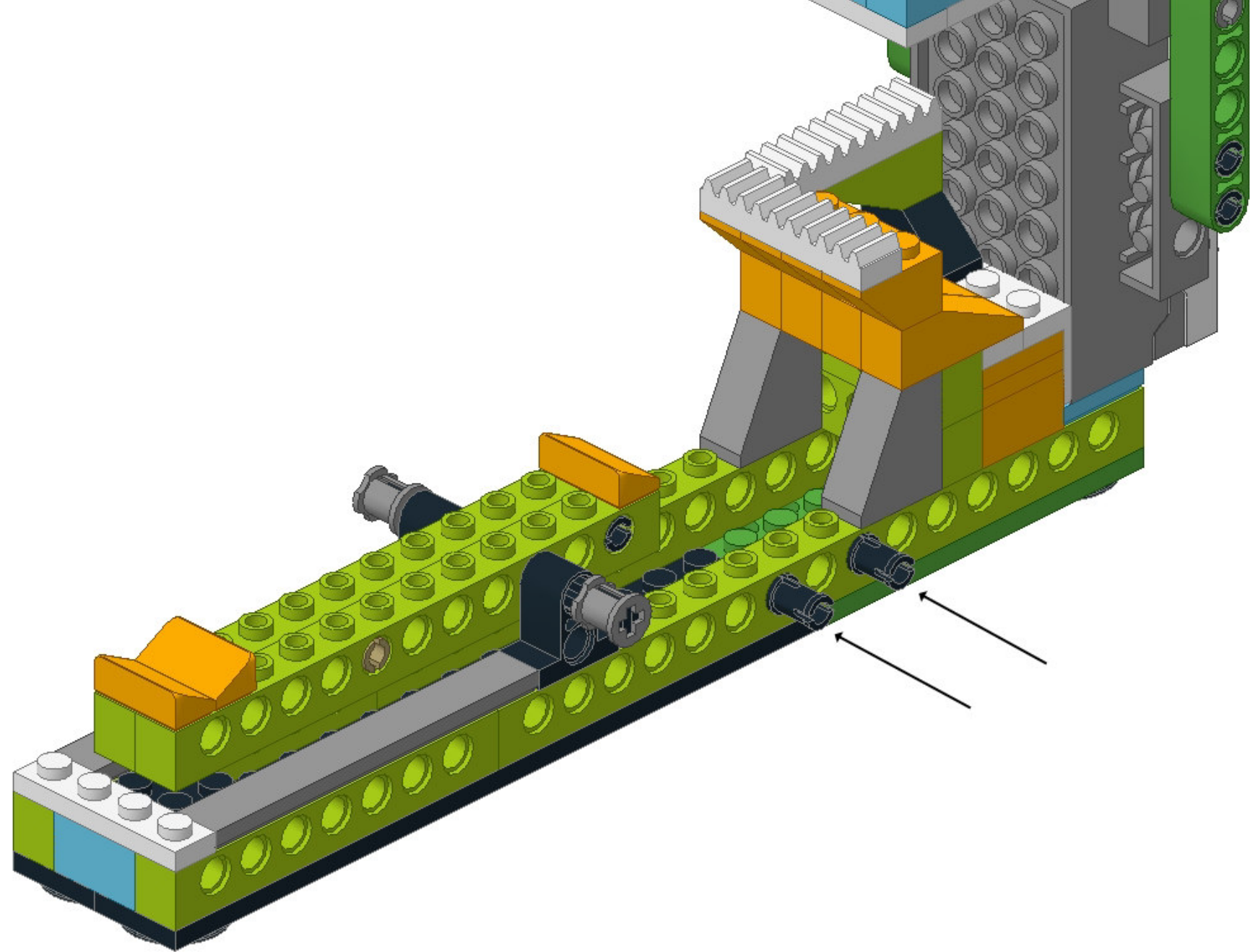


16



- 1x 
- 1x  6
- 1x 
- 1x 
- 2x 
- 3x 
- 2x 

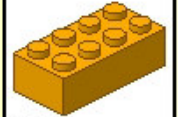




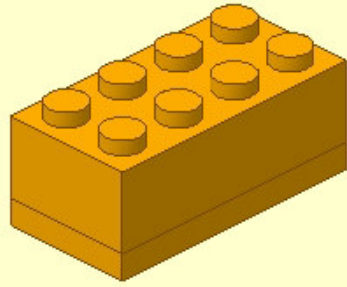
1



1x

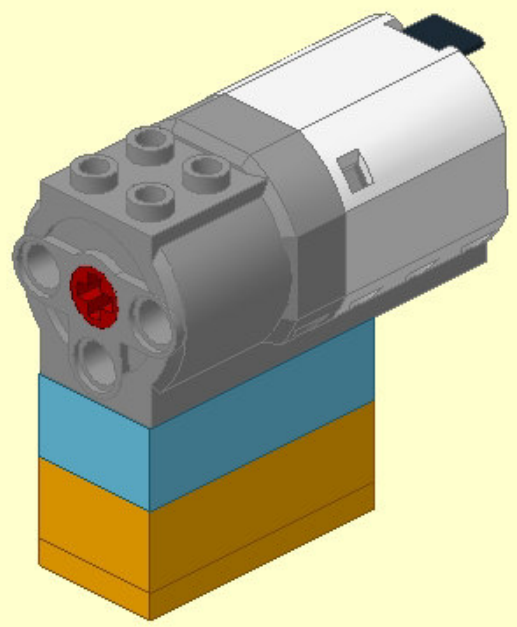
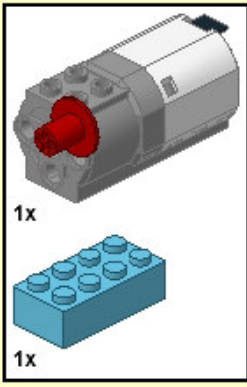


1x

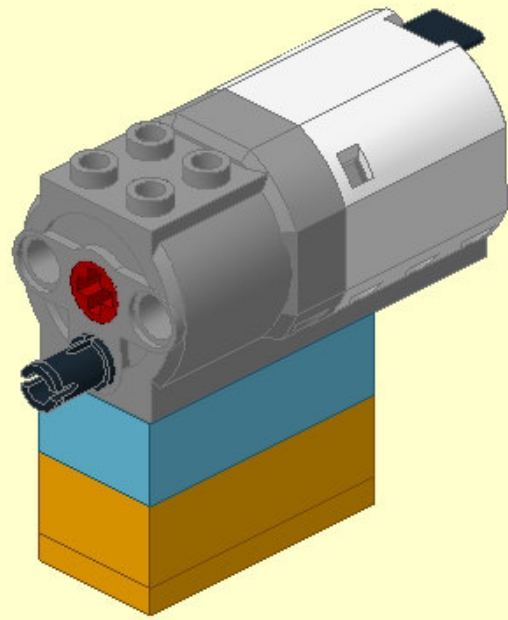




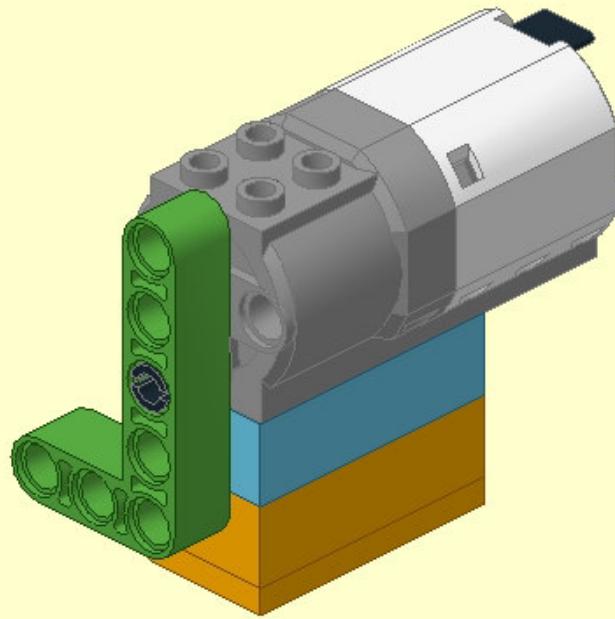
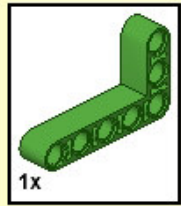
2



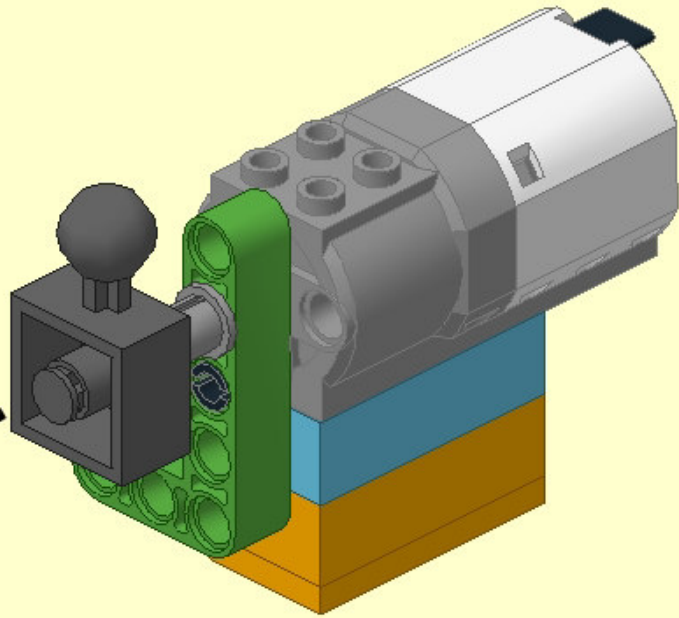
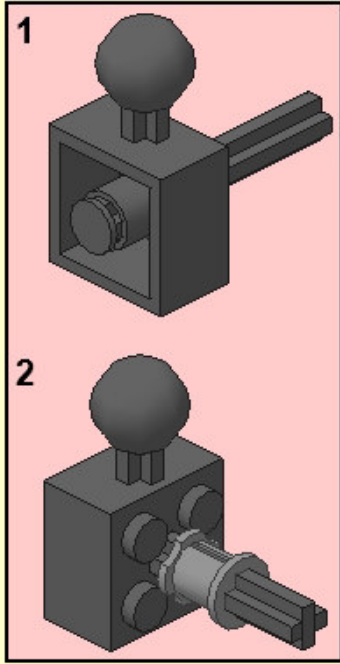
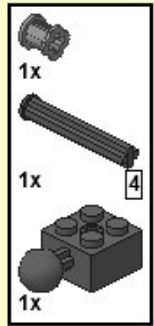
3



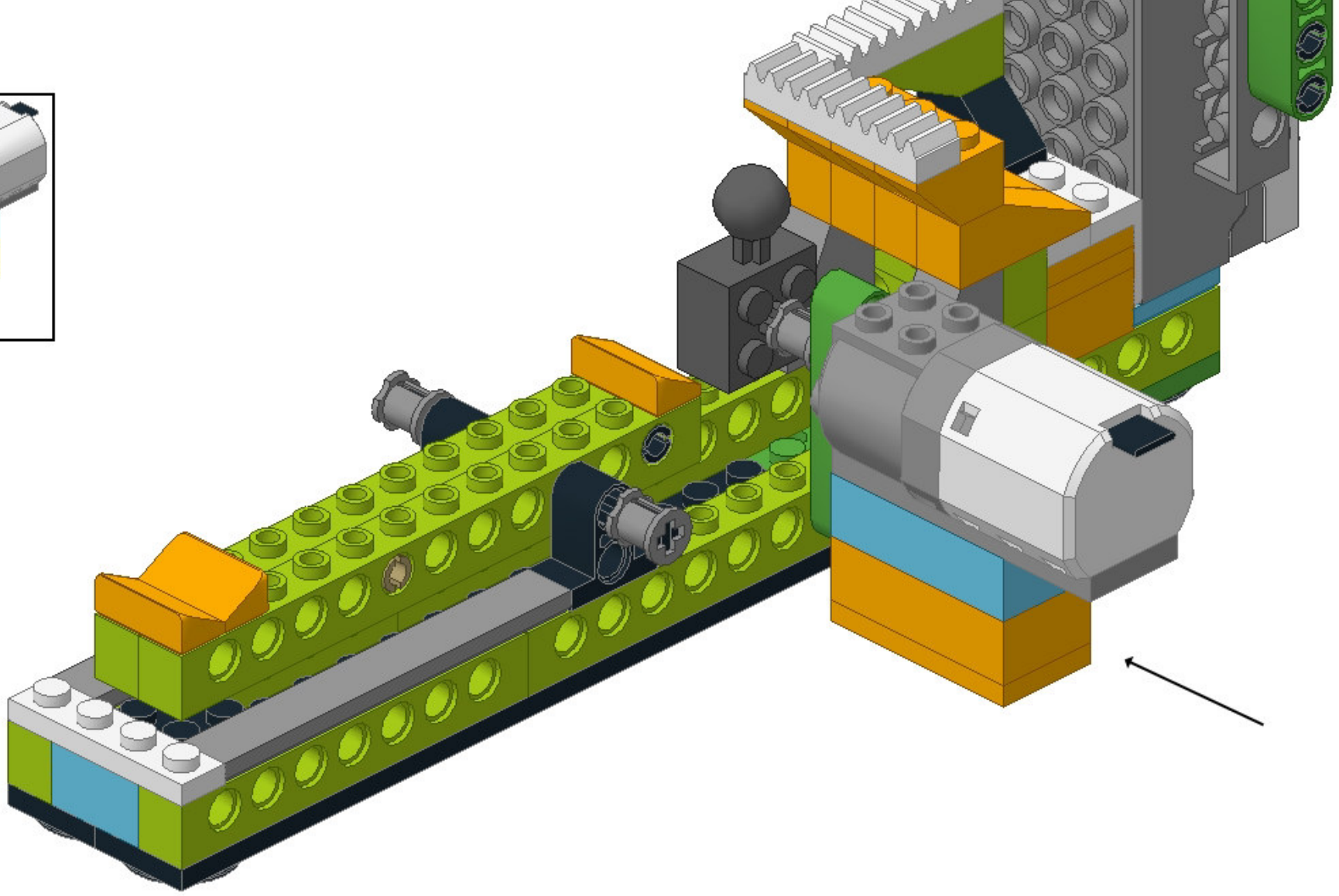
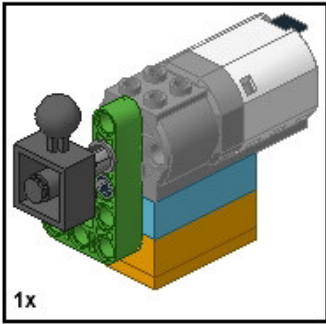
4



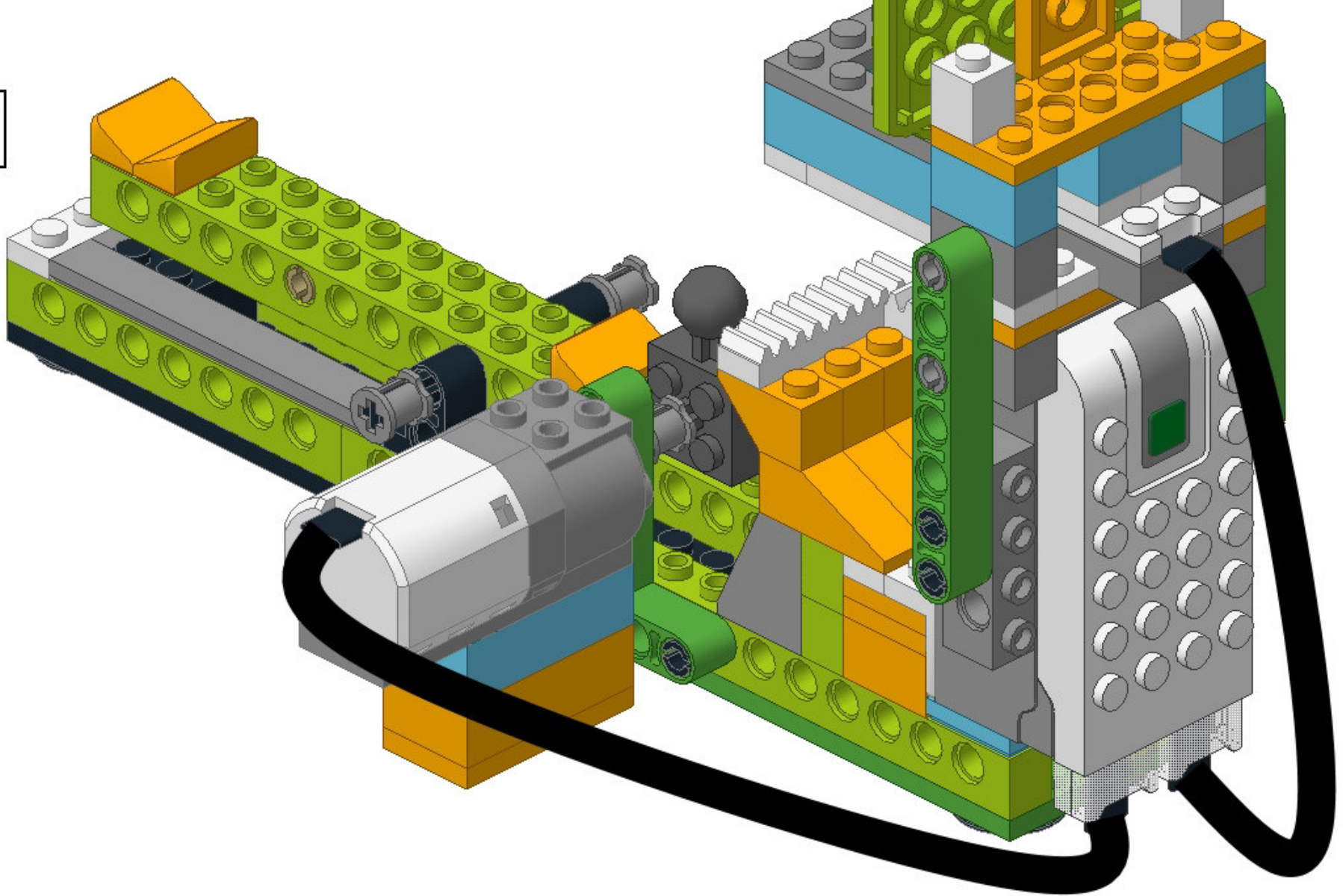
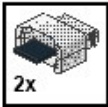
5

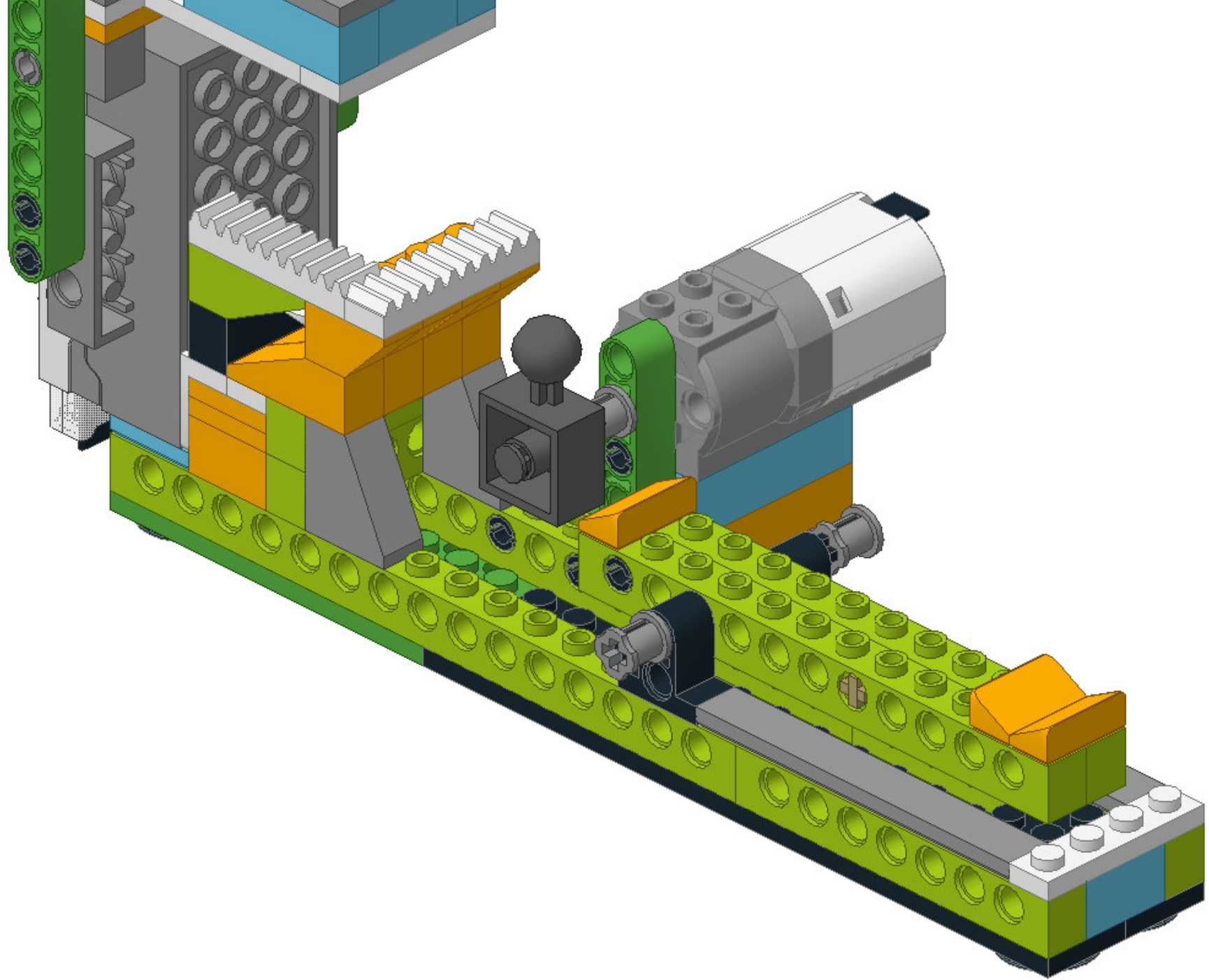


19



20





Block 1: Yellow block with a grey key icon labeled '4'.

Block 2: Green block with a motor icon and a circular arrow icon.

Block 3: Green block with a motor icon and a fan icon.

Block 4: Green block with a motor icon and a timer icon.

Input values: 7 (under Block 3), 0.1 (under Block 4).

Control icons: Close (X), Zoom (four arrows).

Large black text: 0

Grey square button.

Block 1: Yellow block with a green play button icon.

Block 2: Red block with a speech bubble icon containing '123'.

Block 3: Yellow block with a timer icon.

Block 4: Red block with a speech bubble icon containing '123' and a plus sign.

Block 5: Red block with a musical note icon.

Block 6: Yellow block with a circular arrow icon.

Input values: 0 (under Block 2), 1 (under Block 4), 12 (under Block 5).

Yellow block with a red square icon.

Bottom toolbar icons: Motor with fan, Motor with timer, Motor with X, Motor with circular arrow, Motor with circular arrow, Printer, Music note, Speech bubble.

Motor icon with value 0

Motor icon with value 0

Signal strength indicator (green bars)

Microphone icon with value 10



