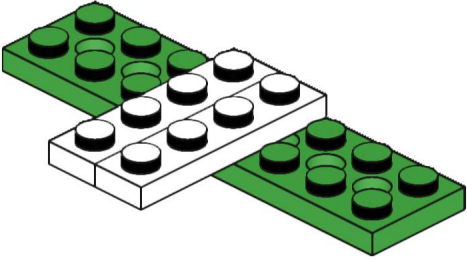
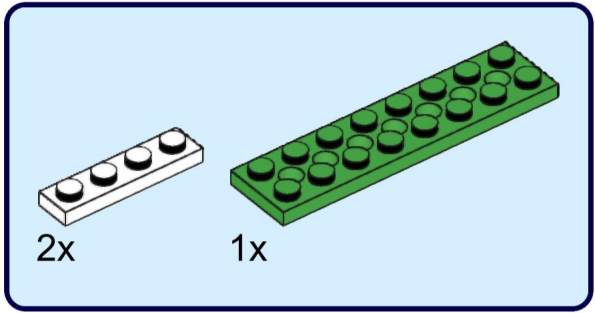
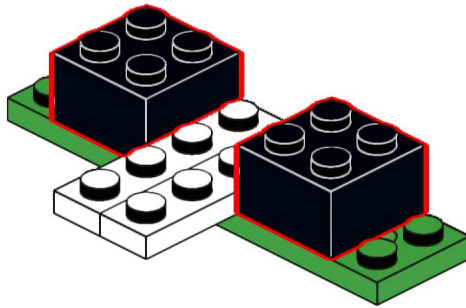
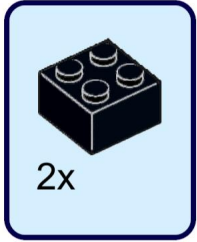




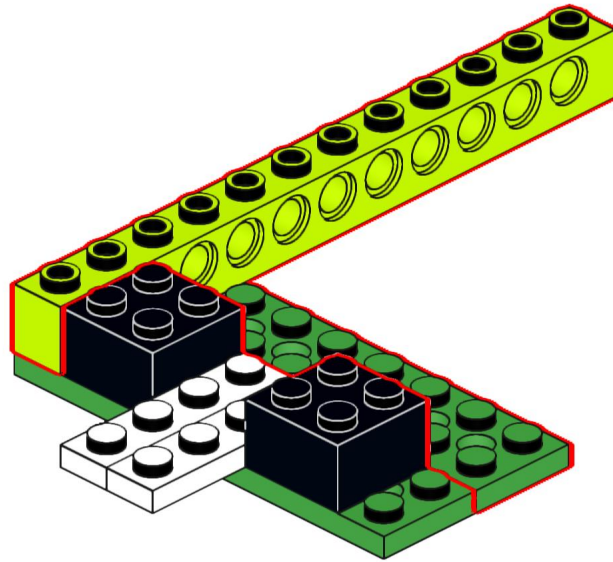
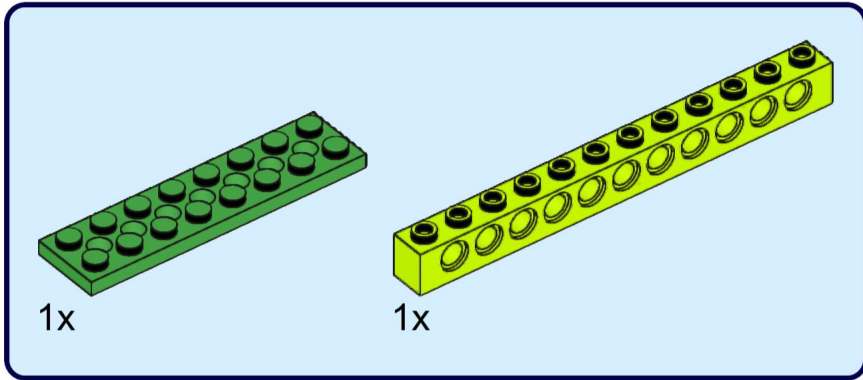
1



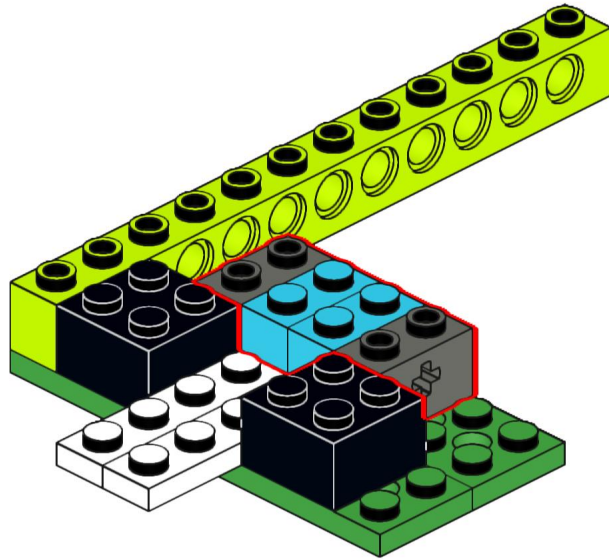
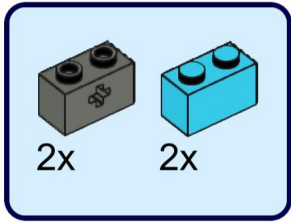
2



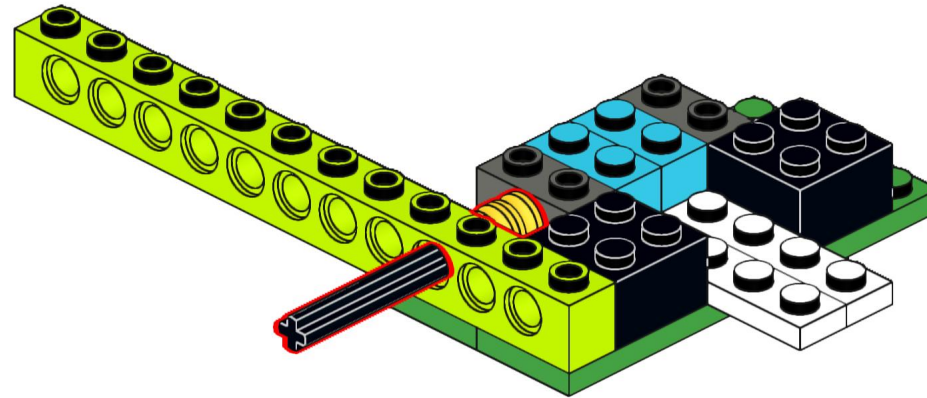
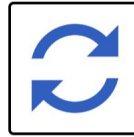
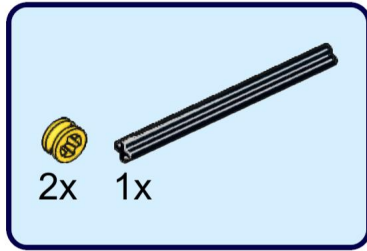
# 3



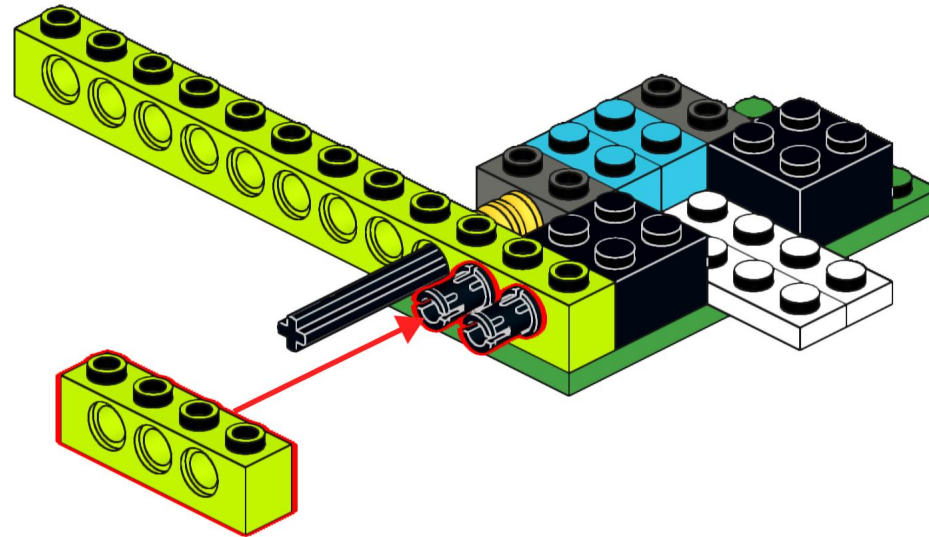
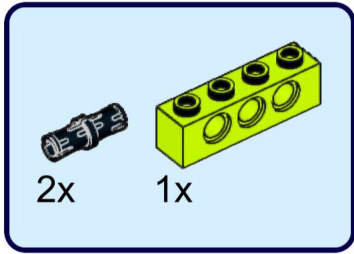
4



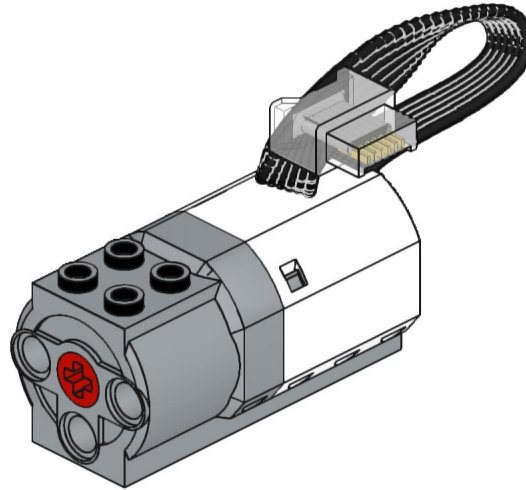
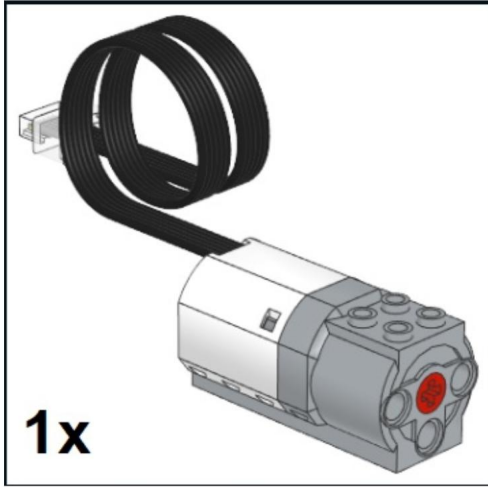
5



6

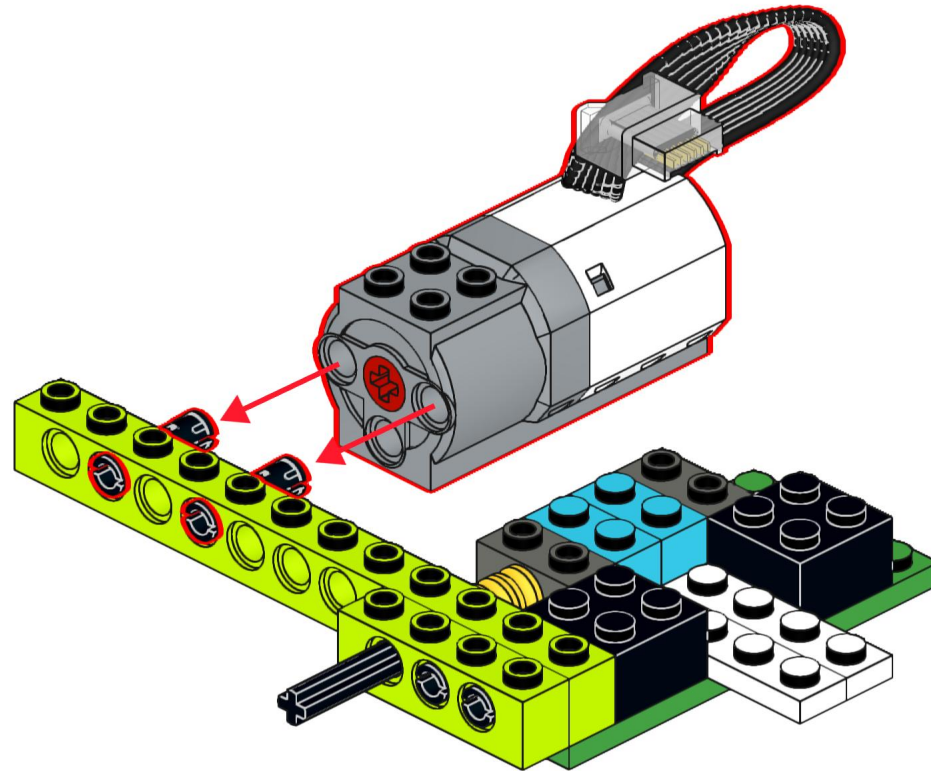


7

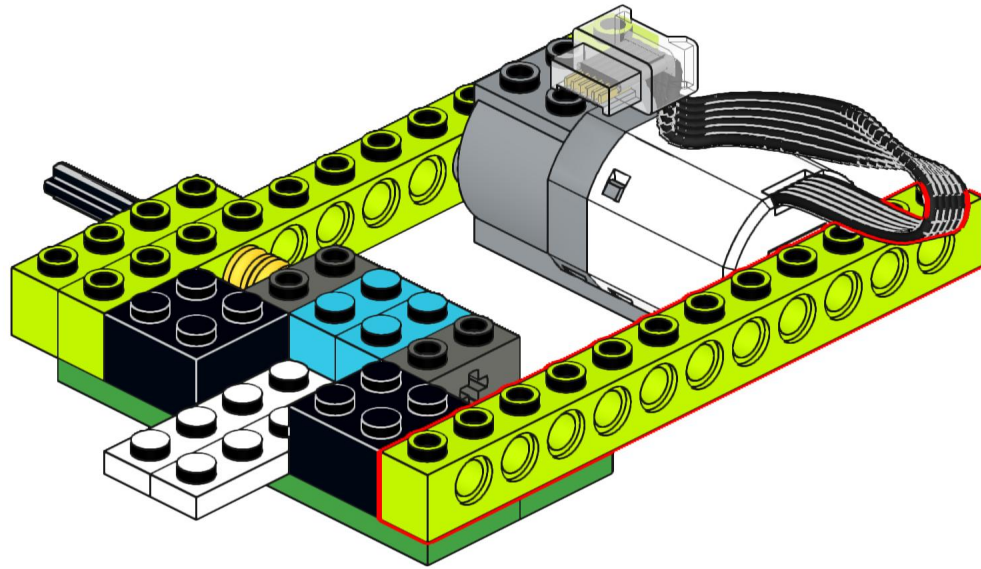
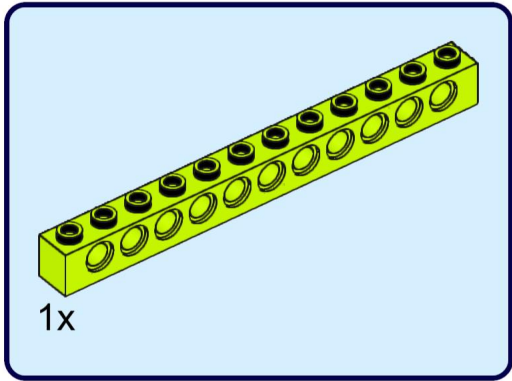




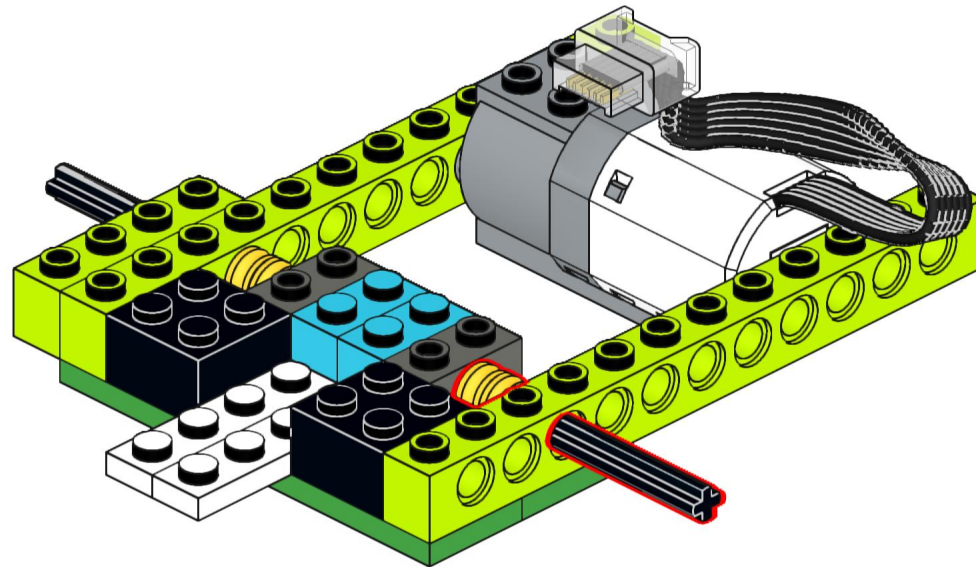
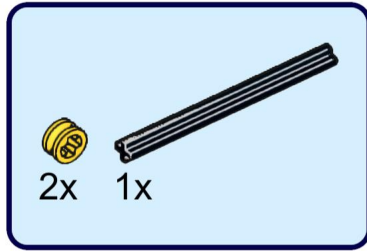
8



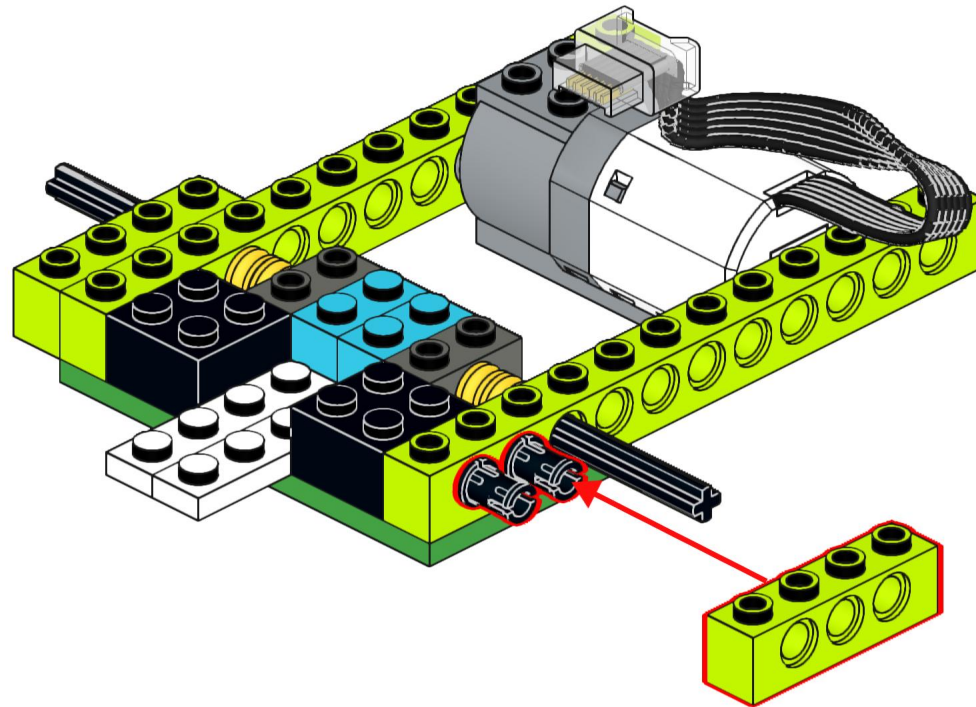
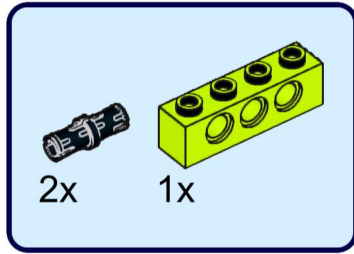
9



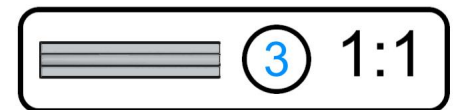
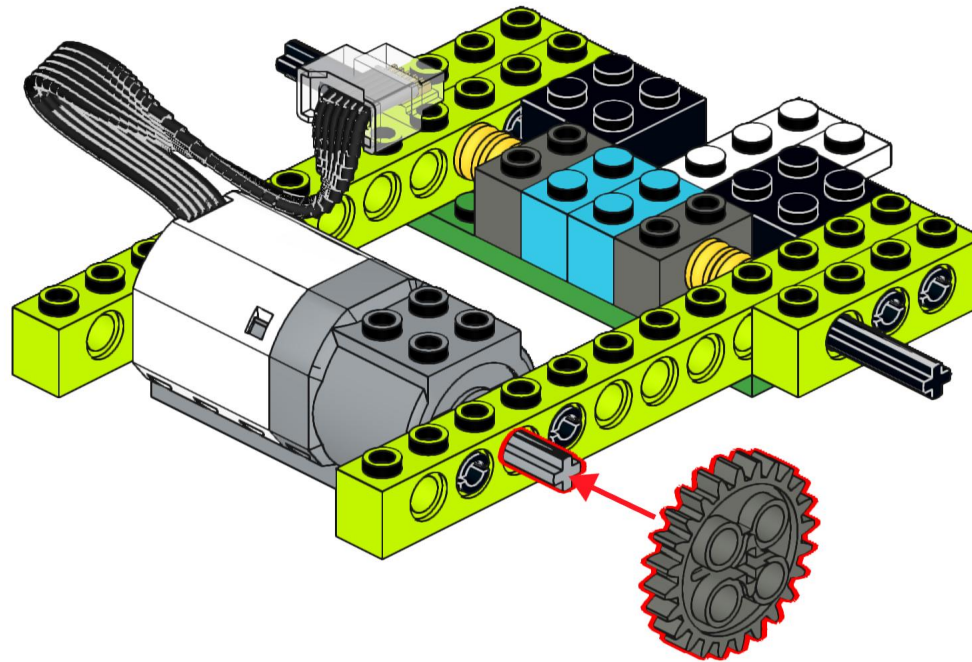
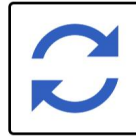
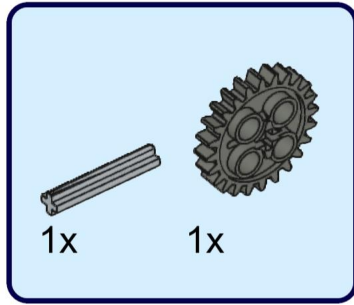
# 10



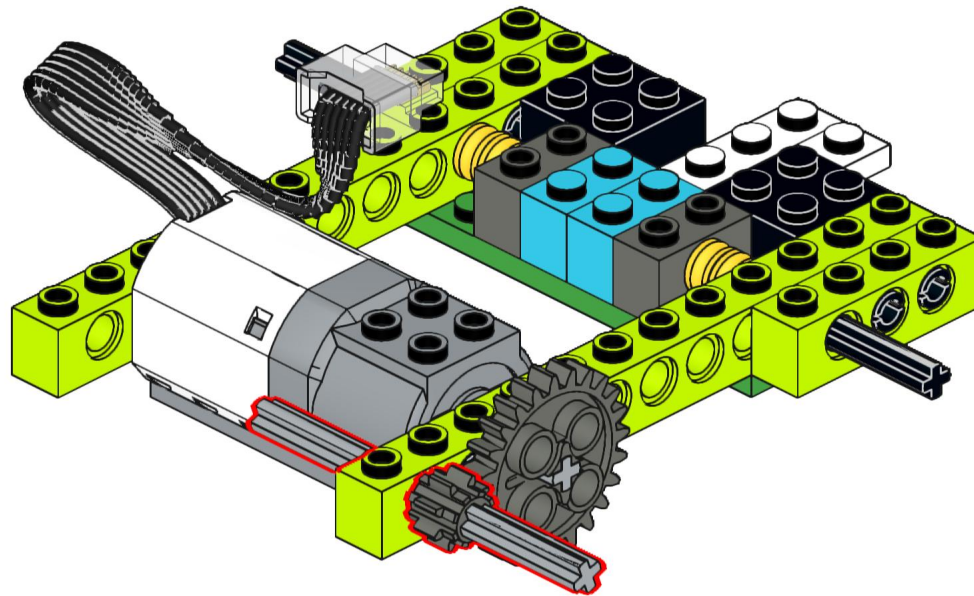
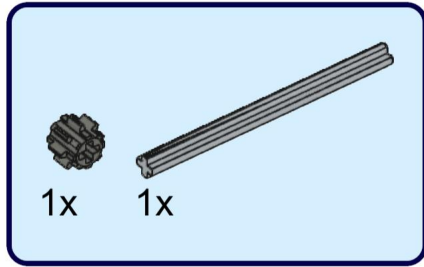
# 11



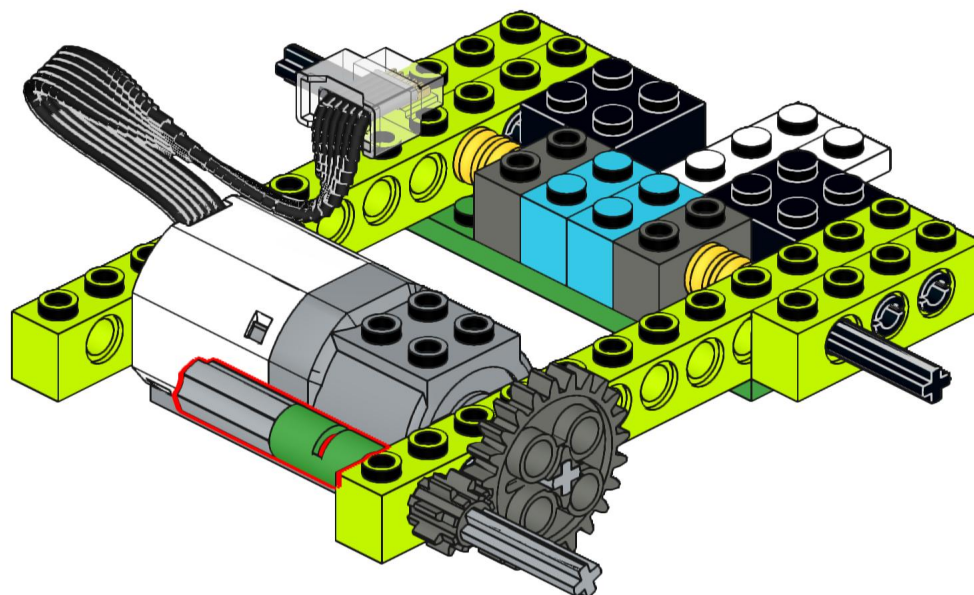
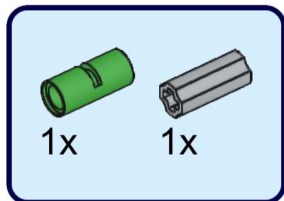
# 12



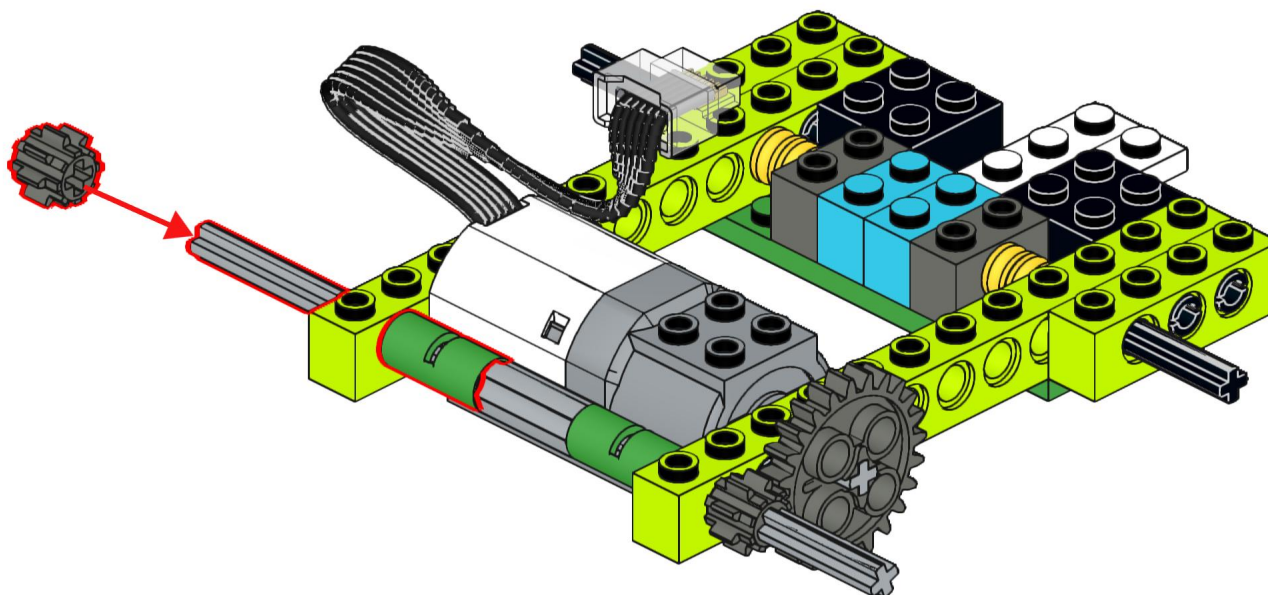
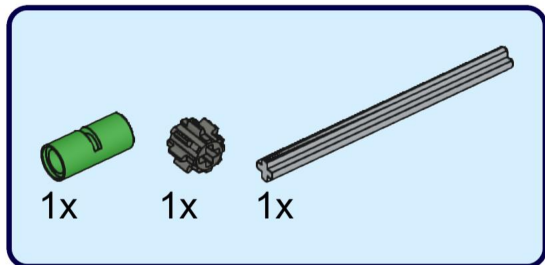
# 13



# 14

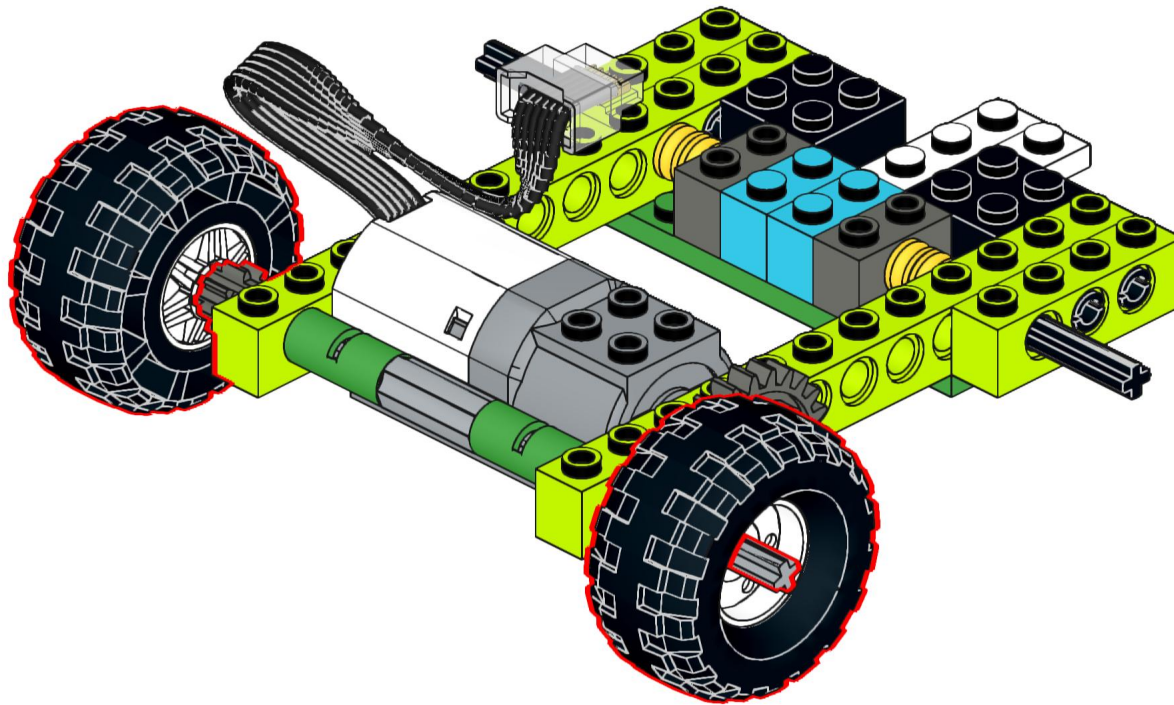
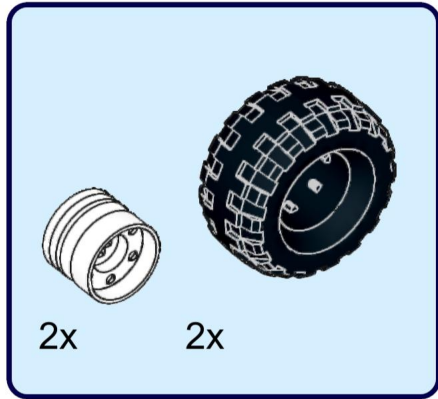


# 15

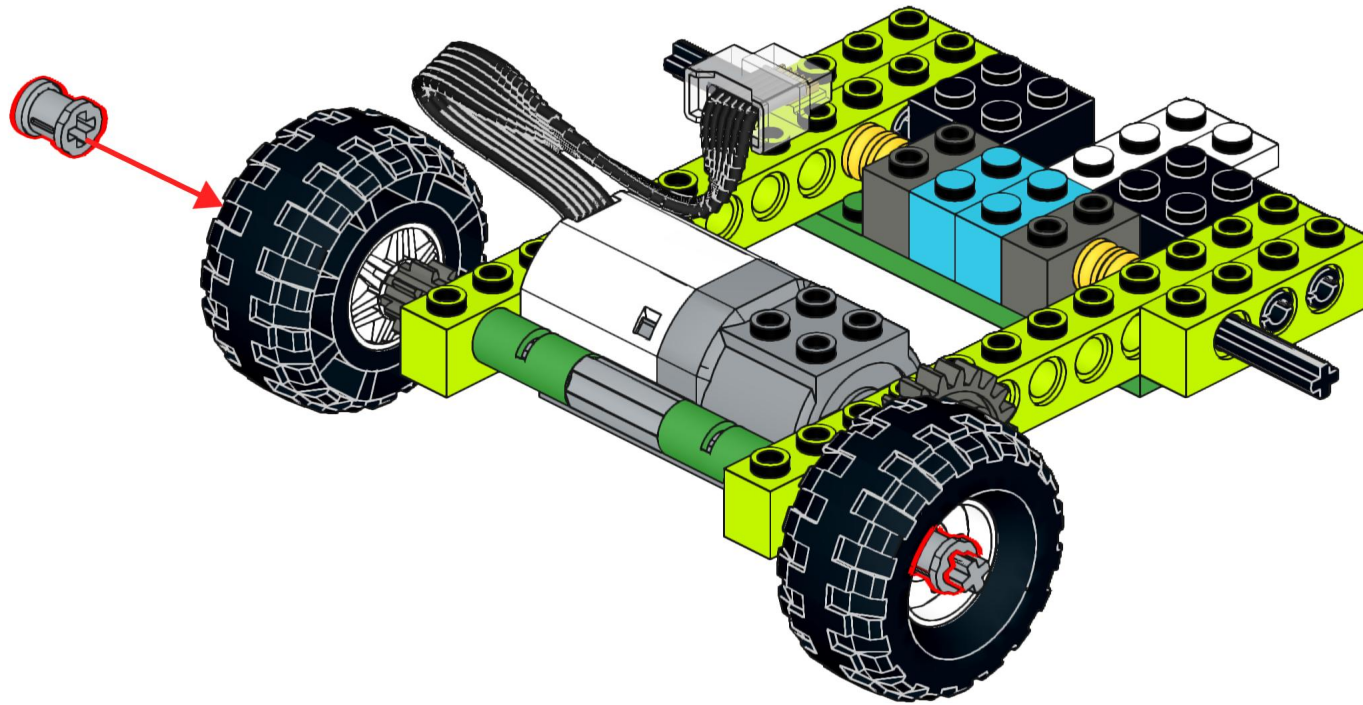




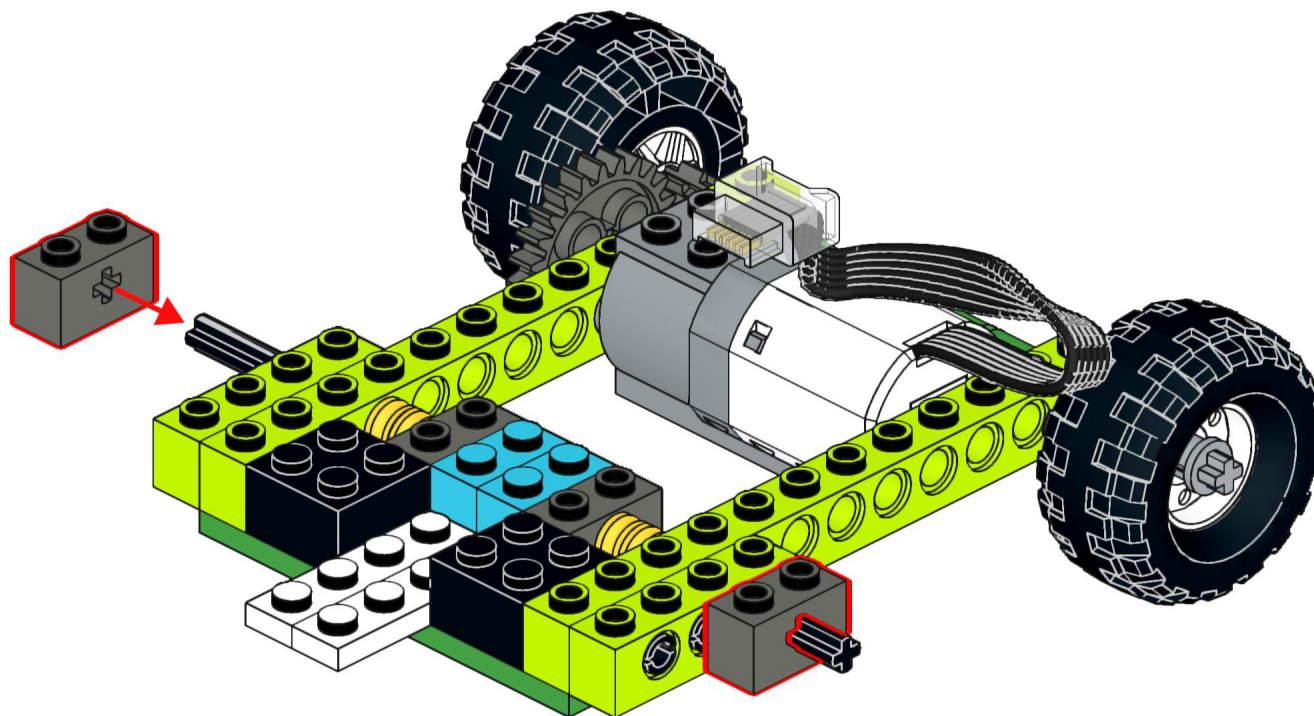
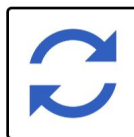
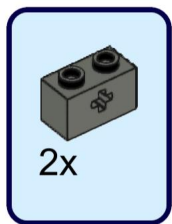
# 16



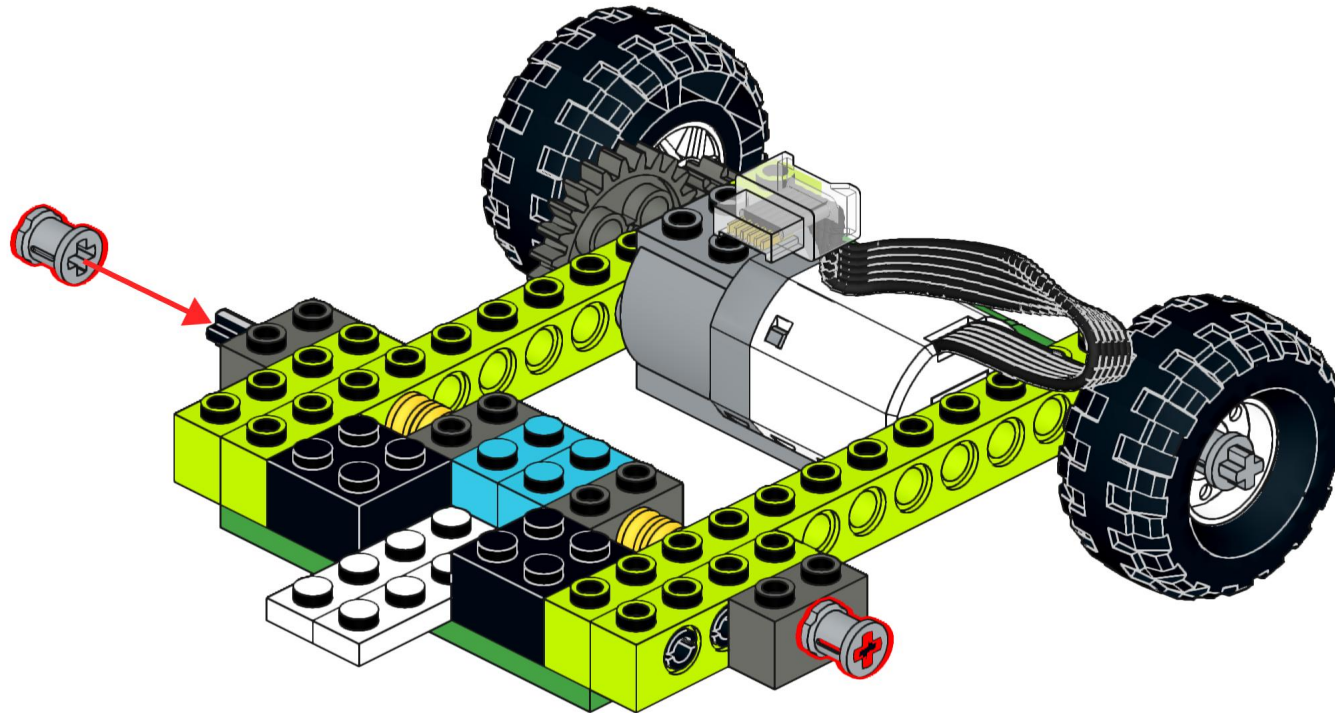
# 17



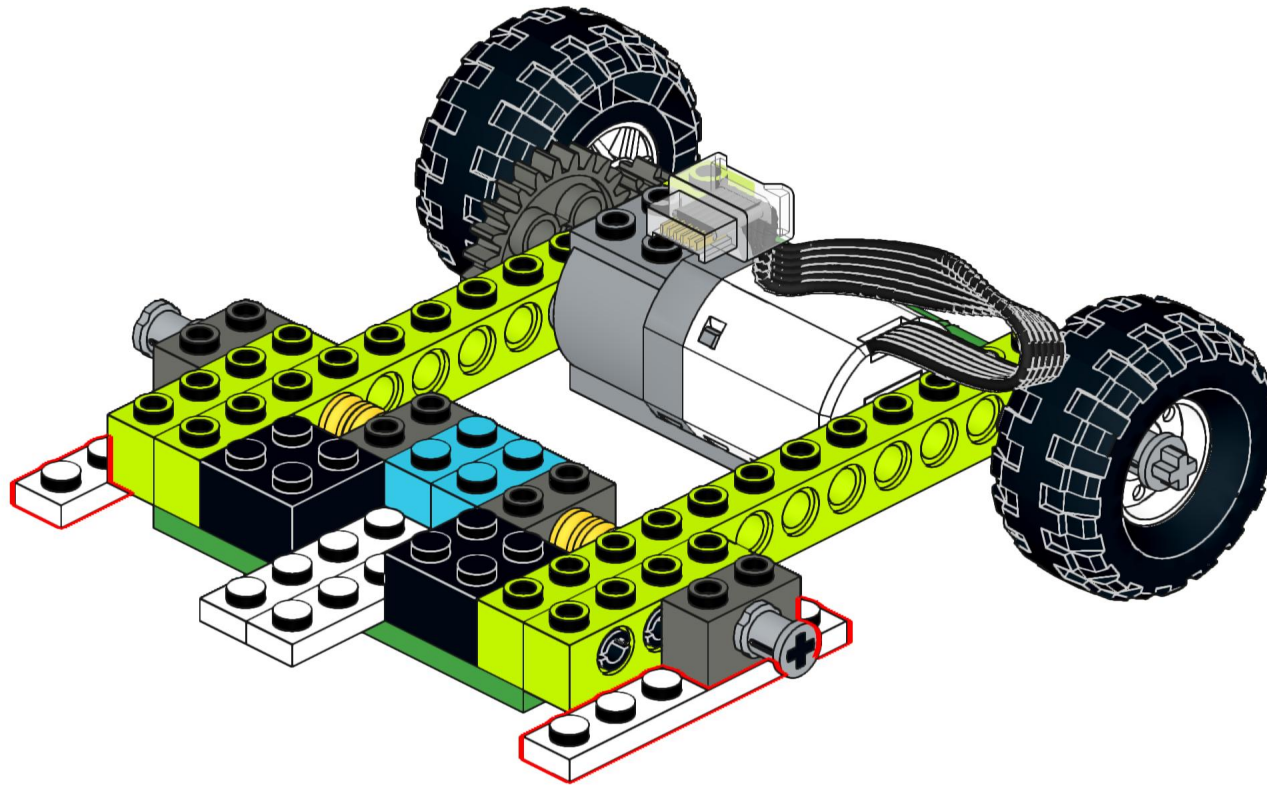
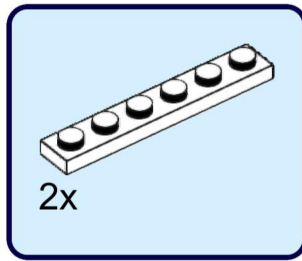
# 18



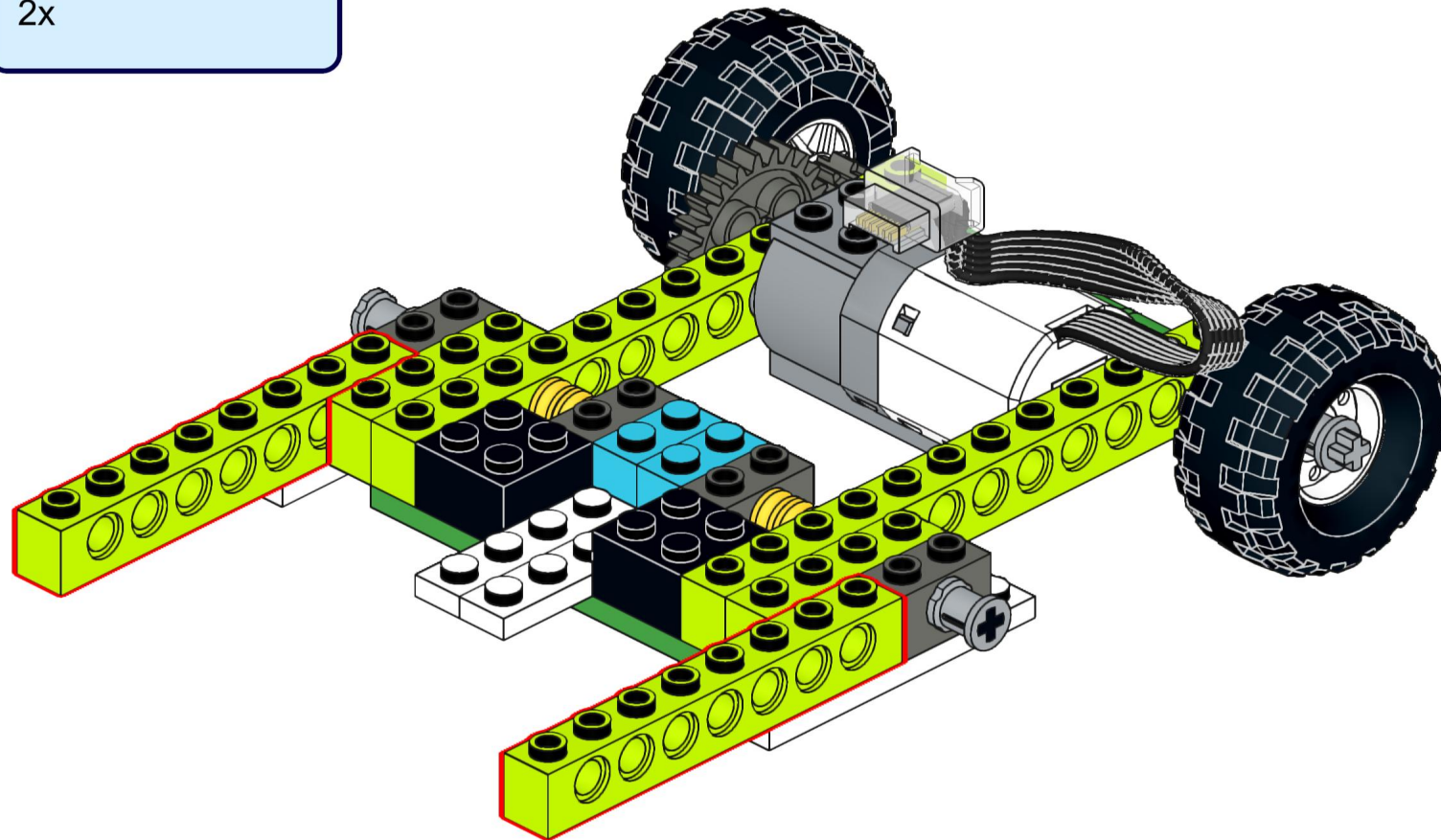
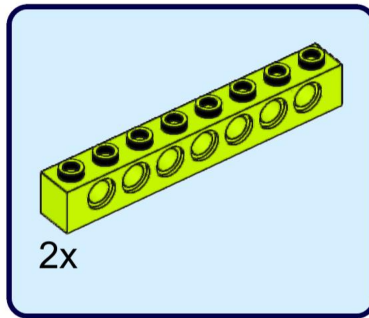
# 19



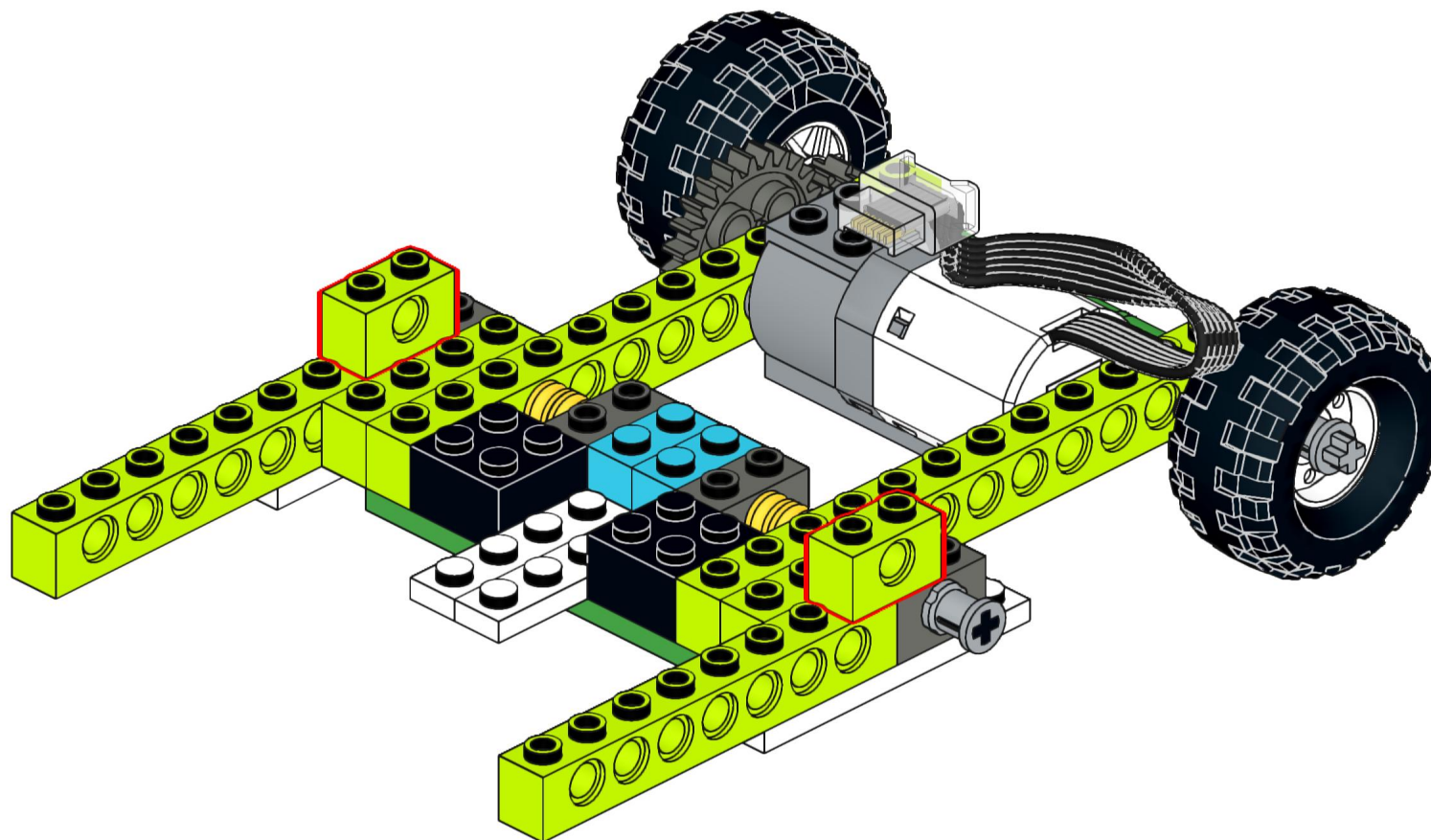
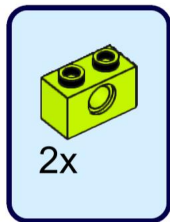
# 20



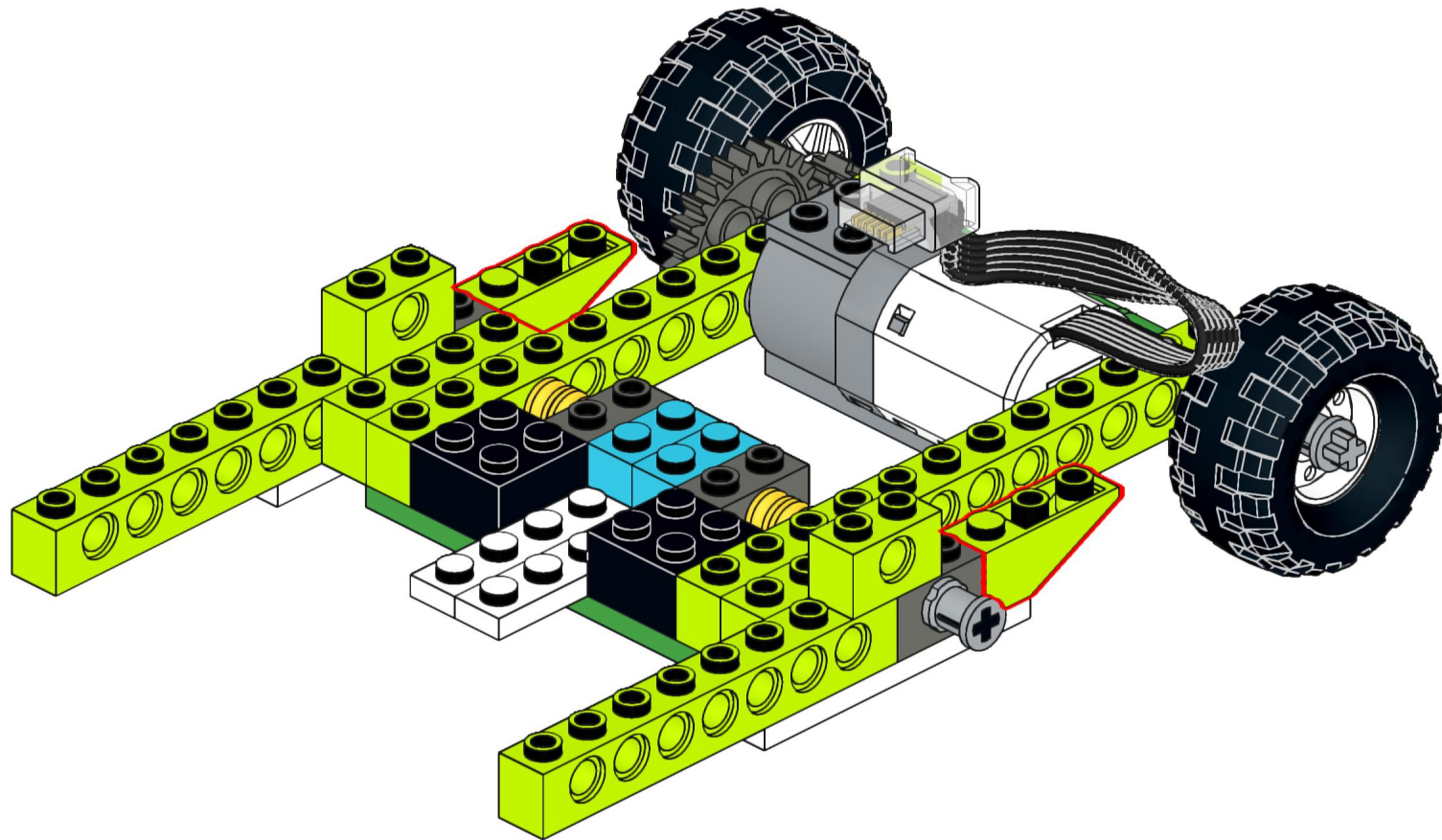
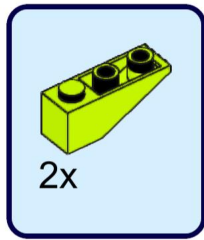
# 21



# 22

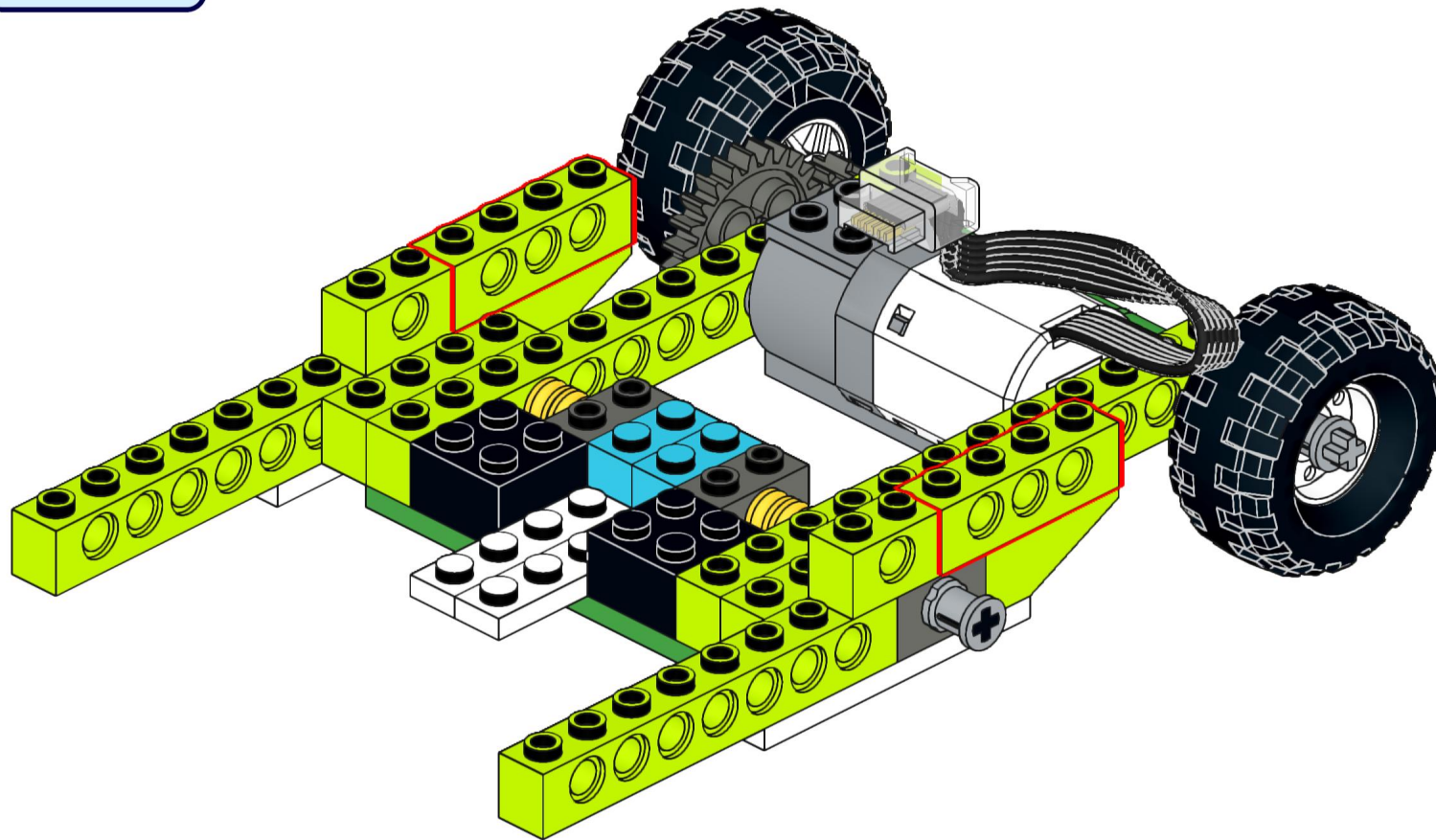
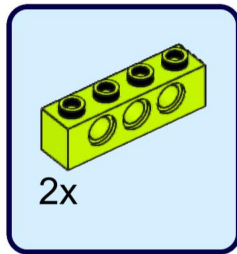


# 23

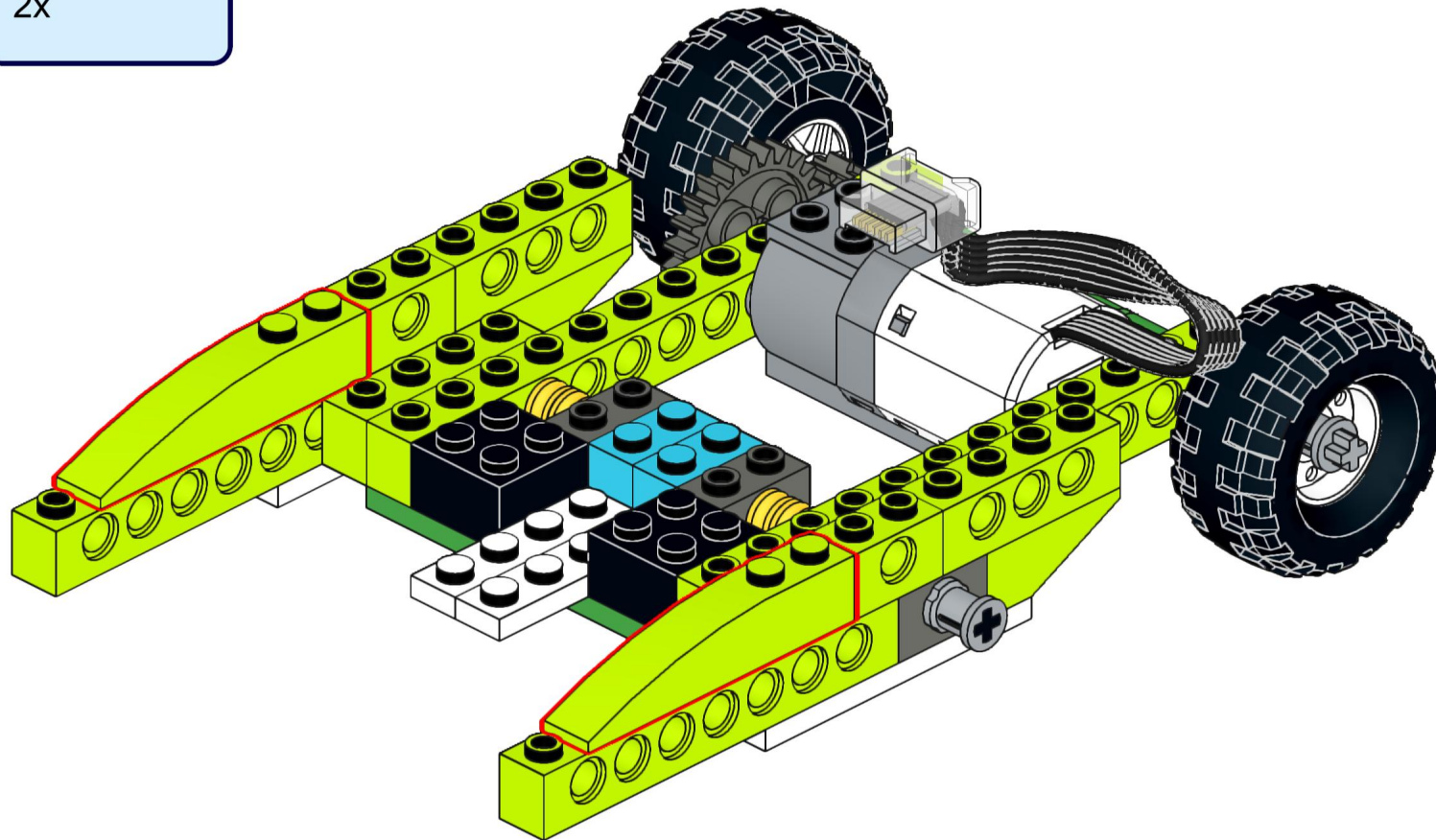
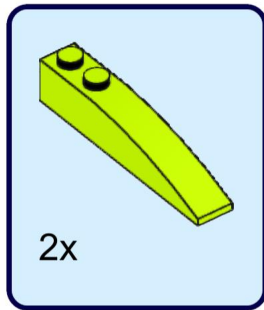




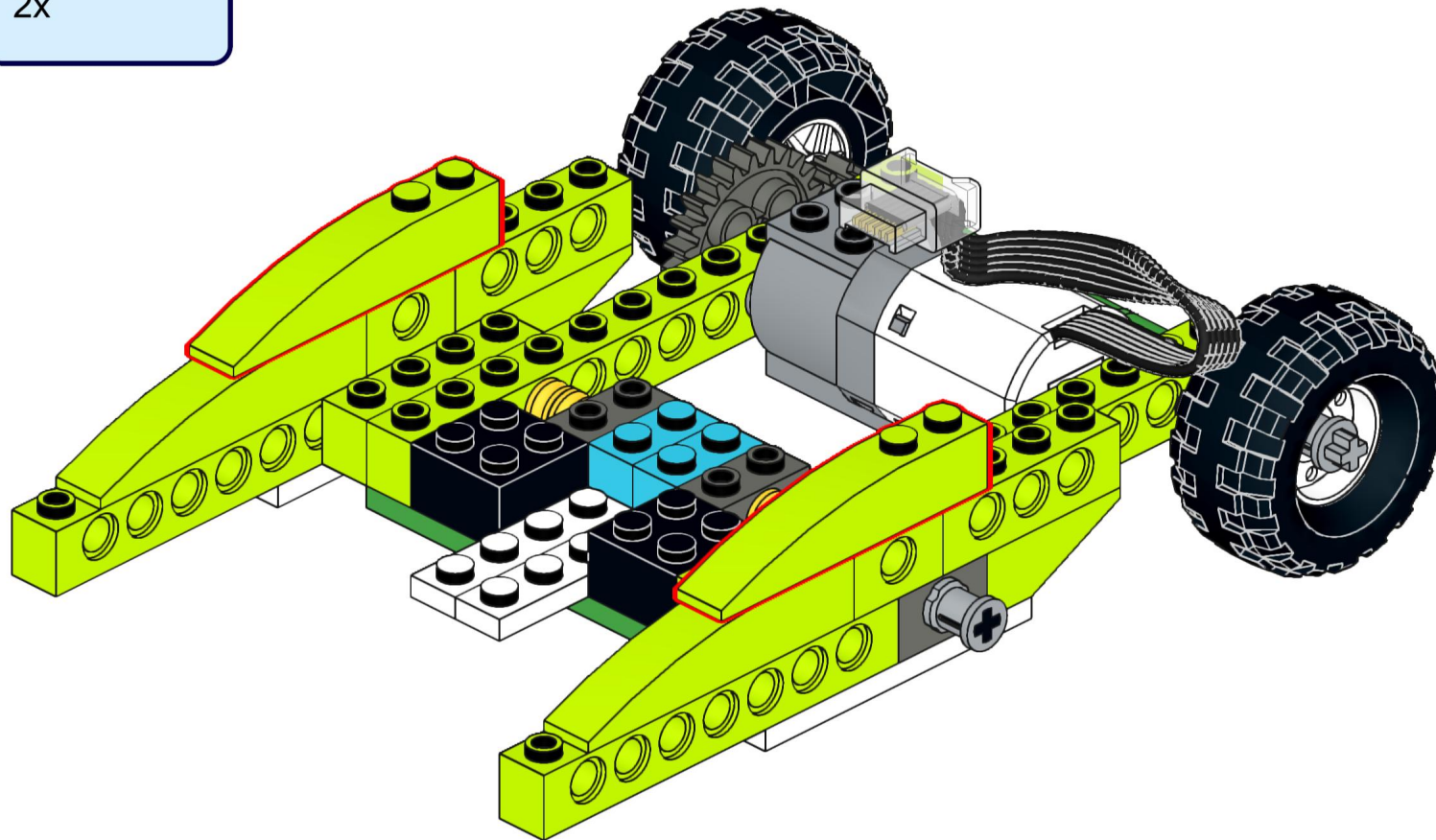
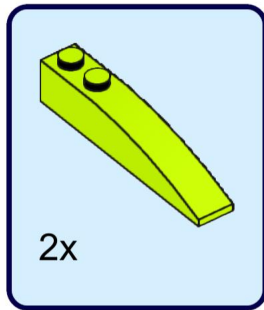
# 24



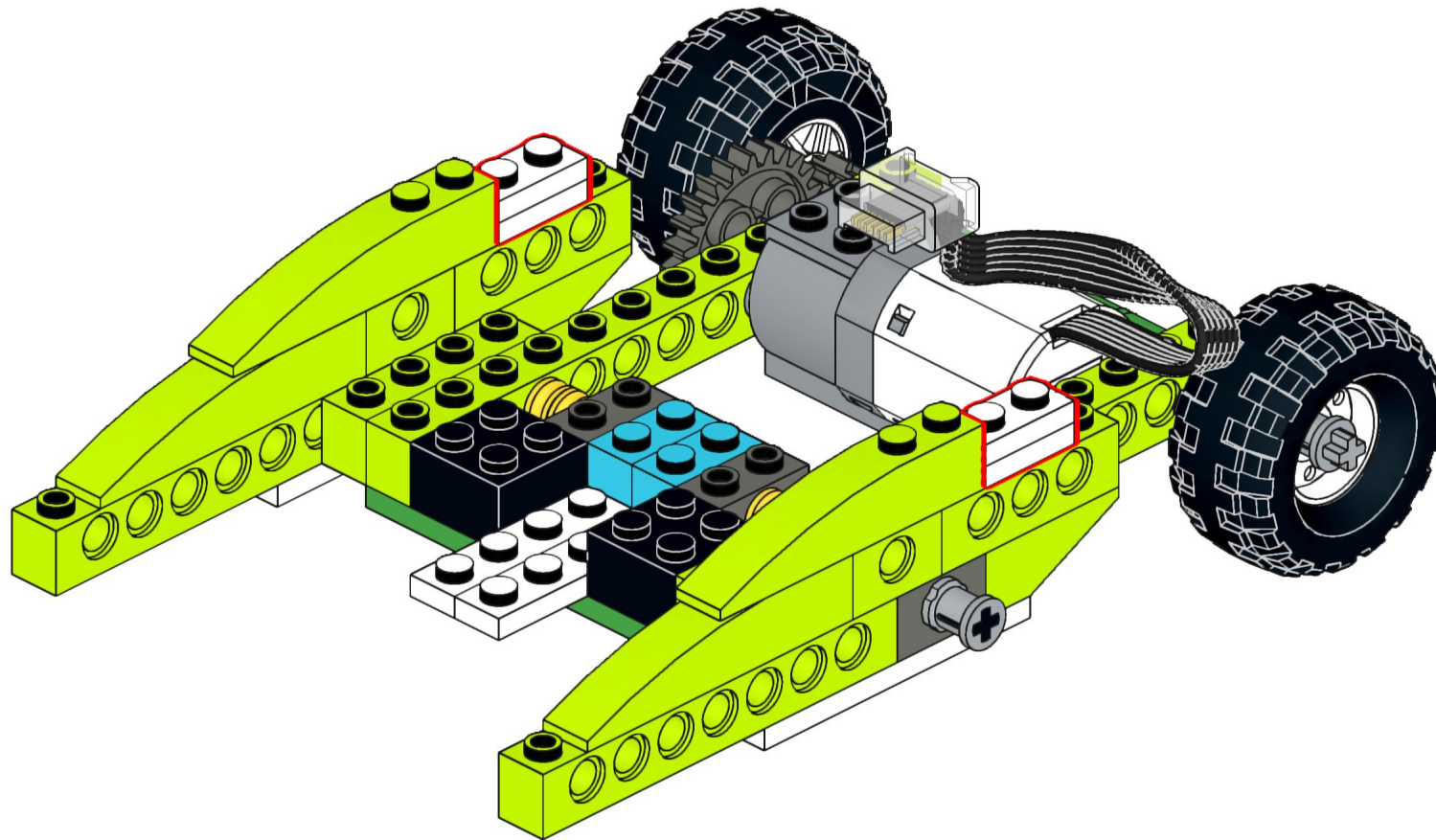
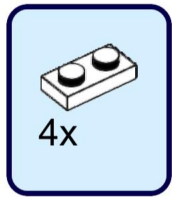
# 25



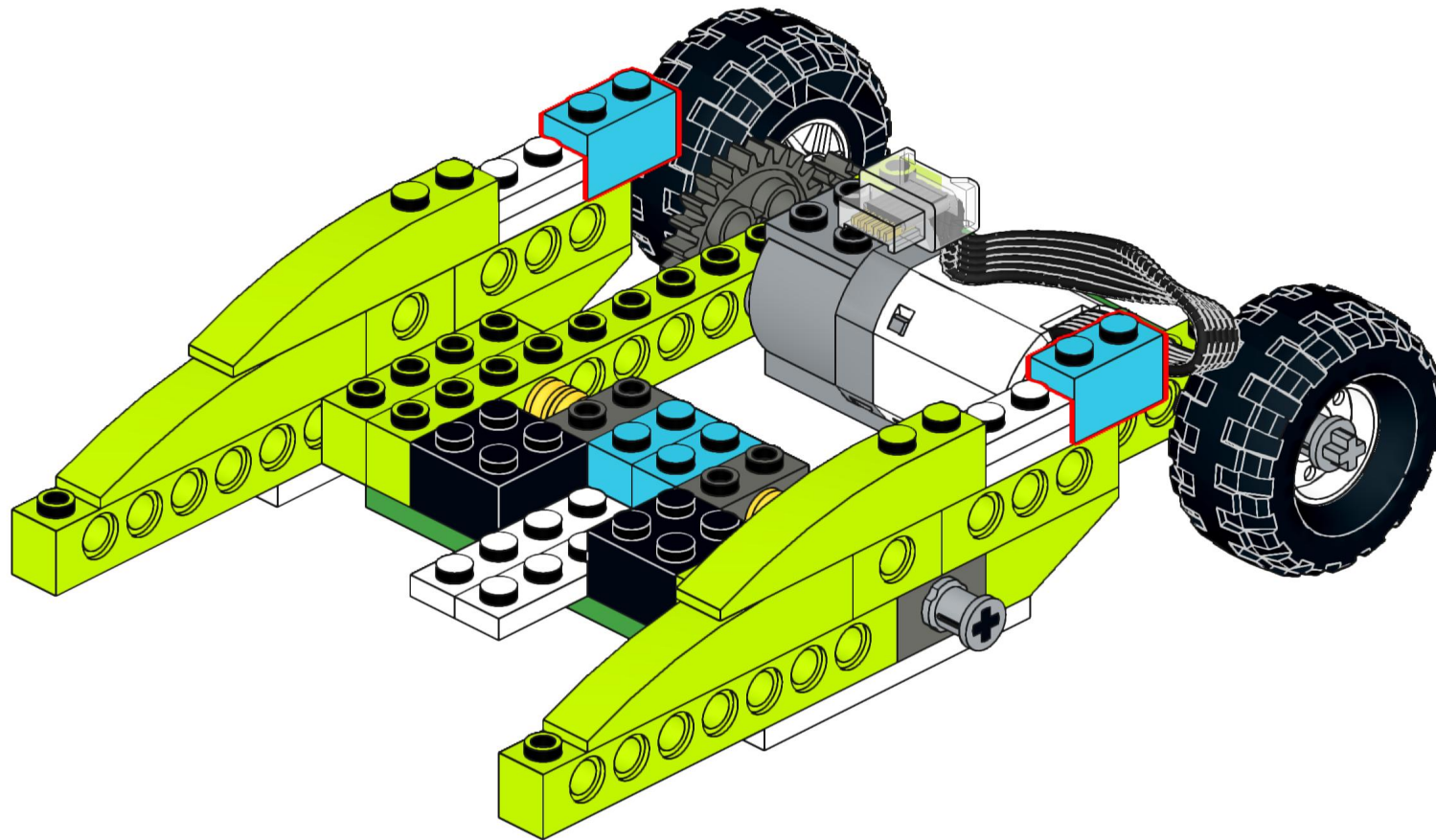
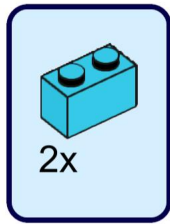
# 26



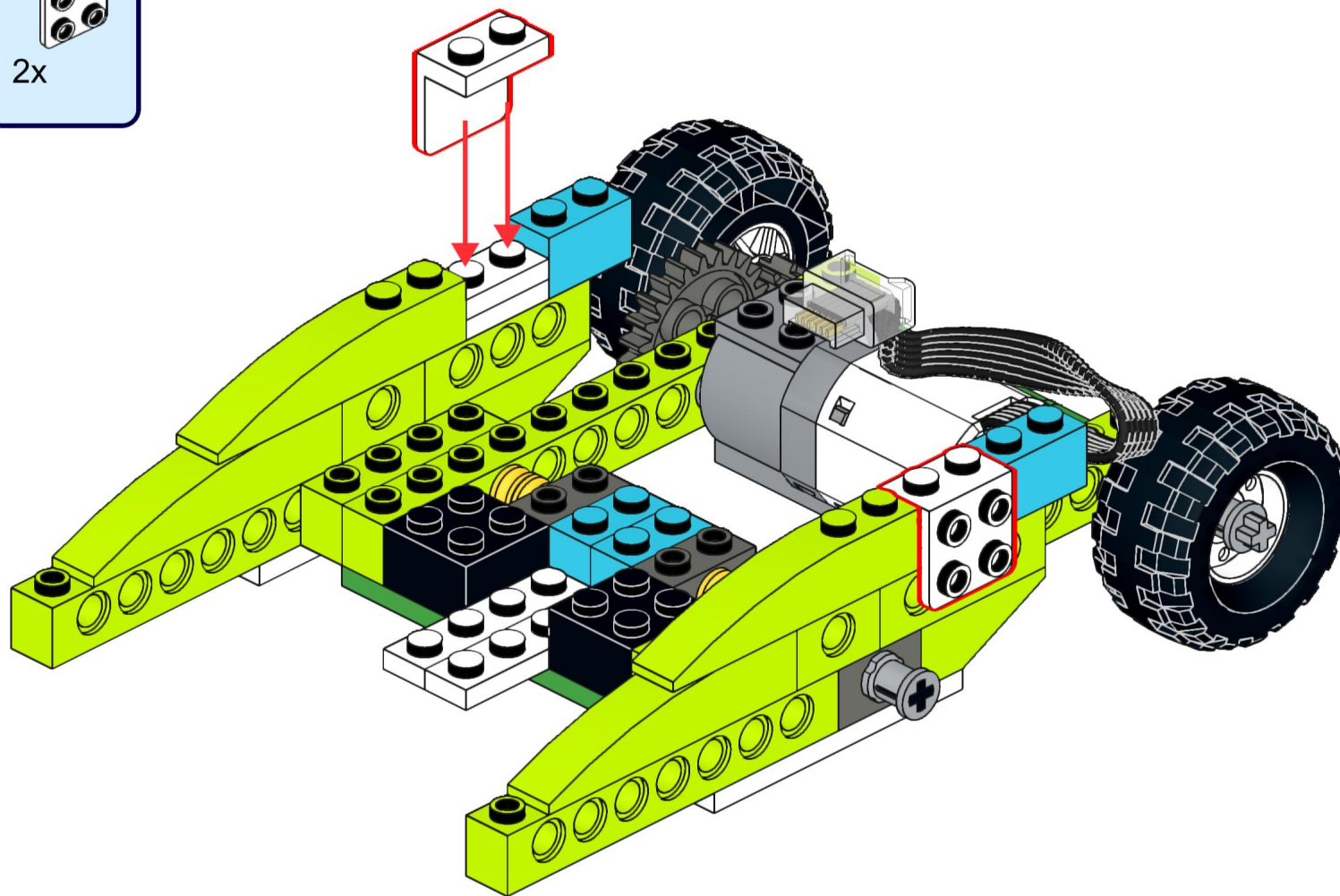
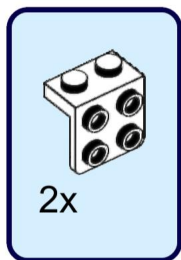
# 27



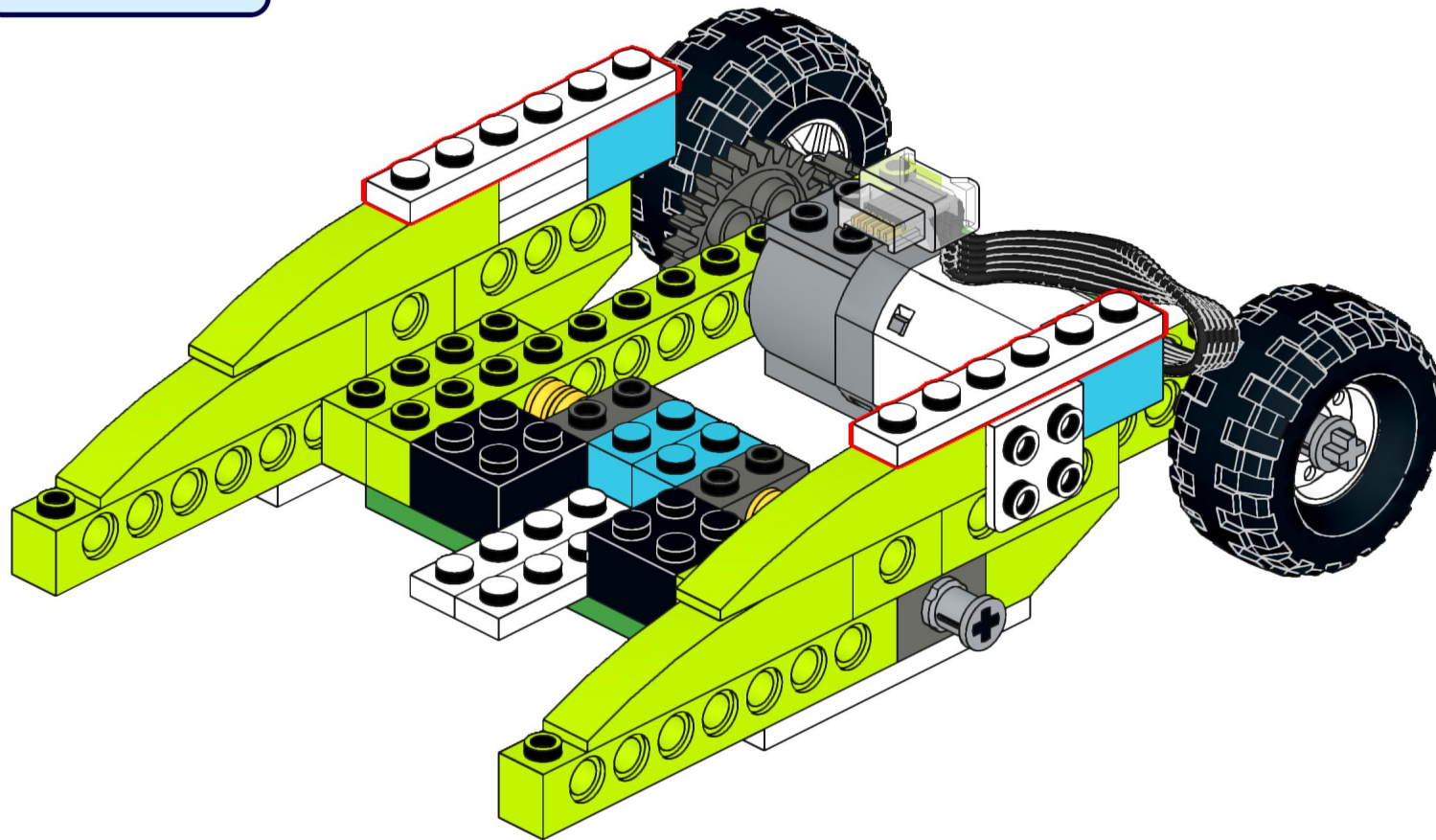
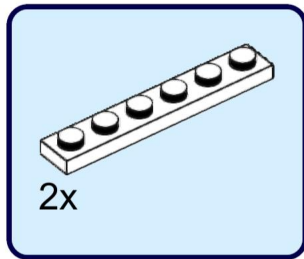
# 28



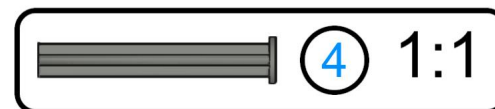
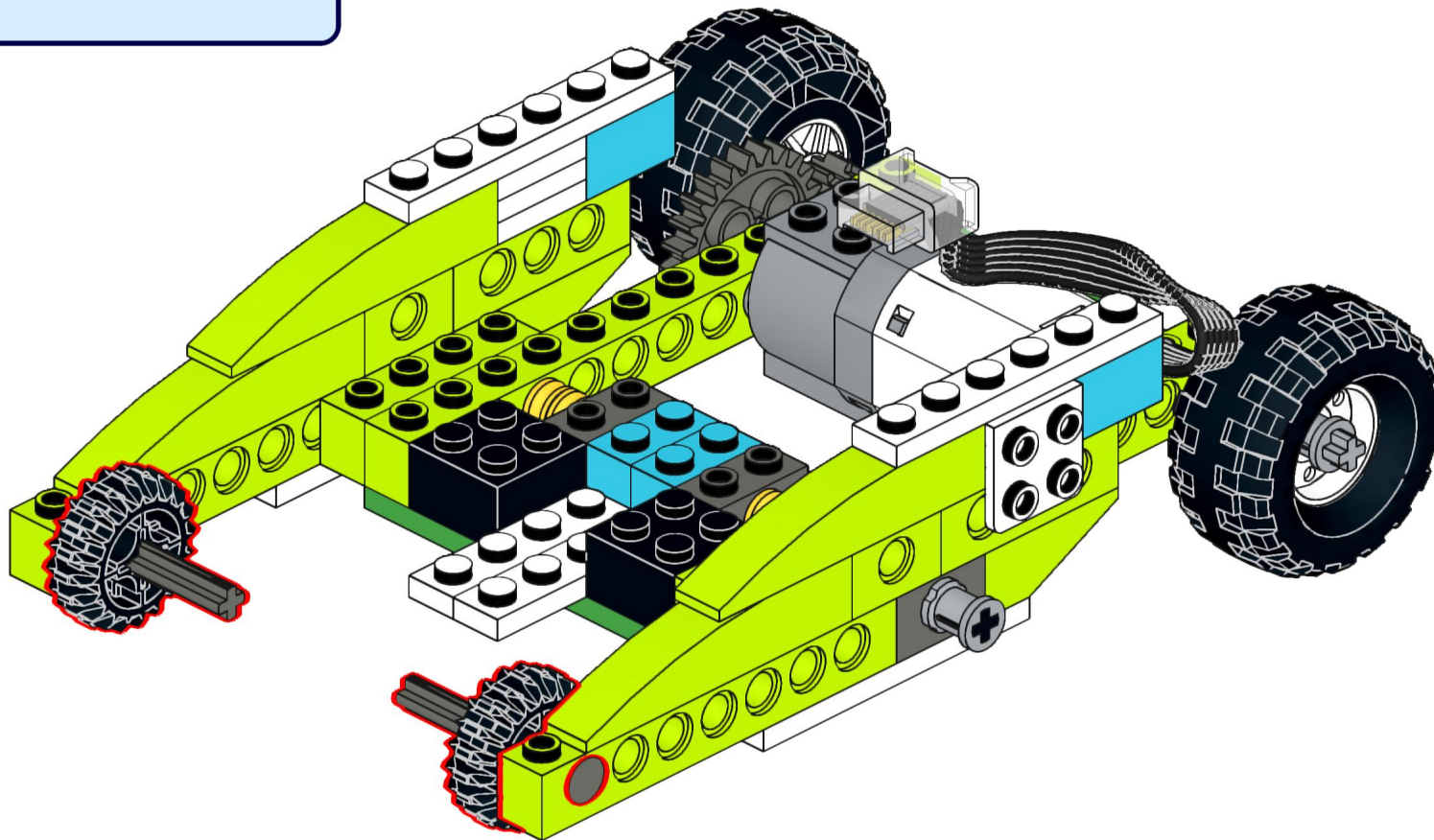
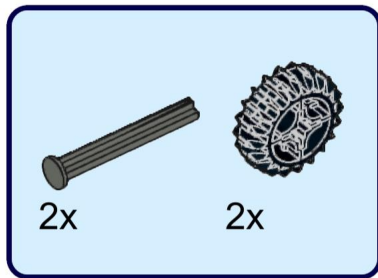
# 29



# 30

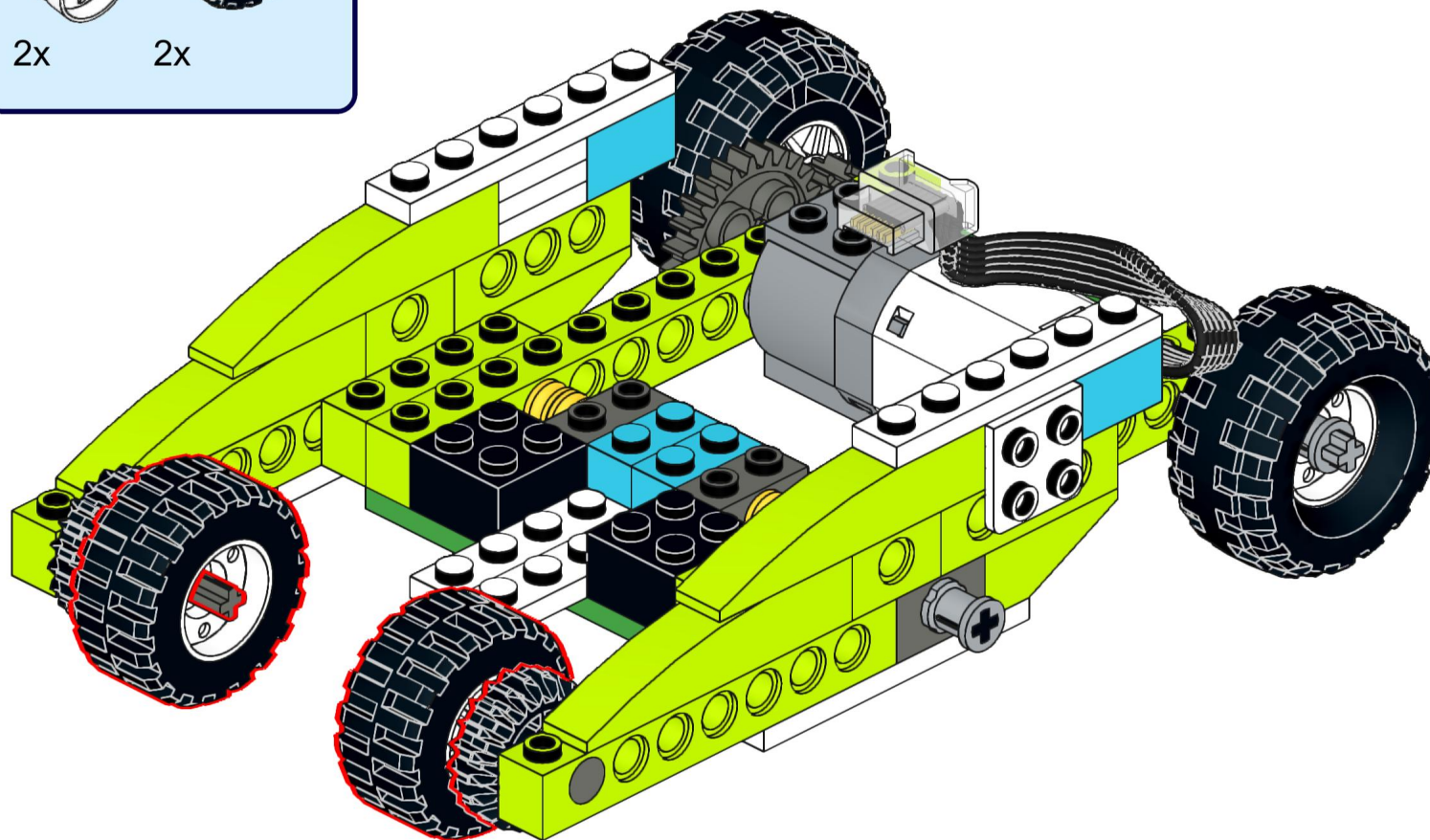
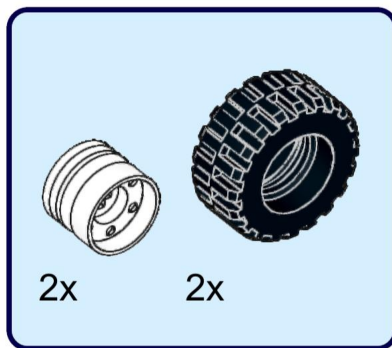


# 31

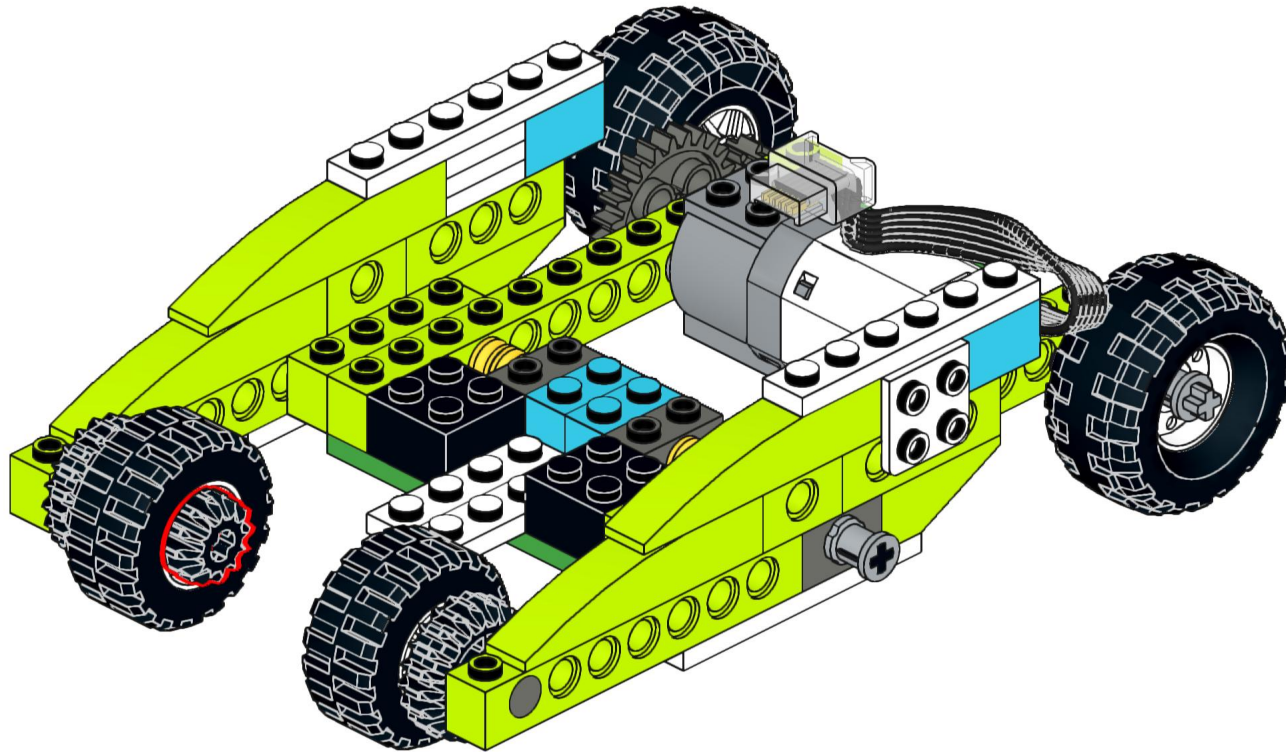




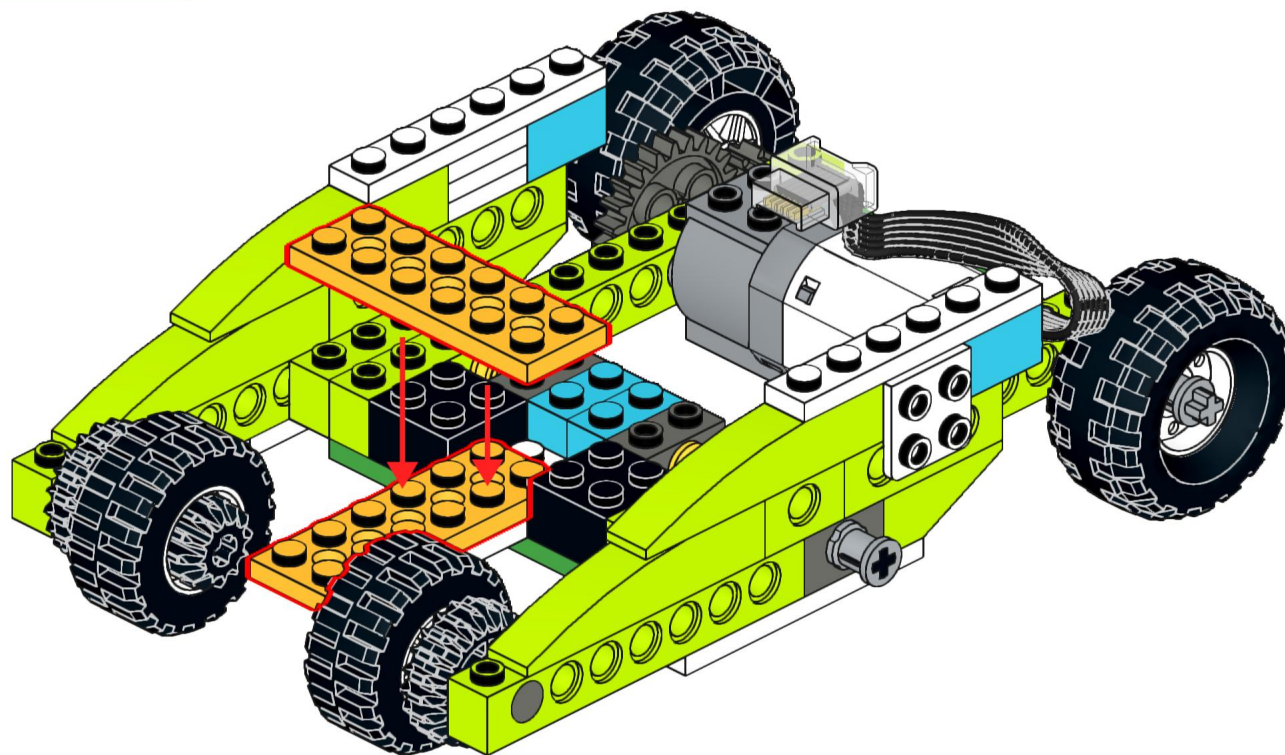
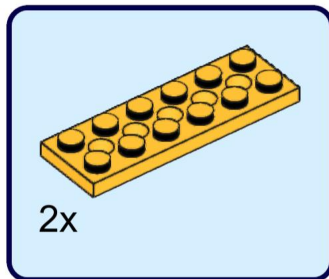
# 32



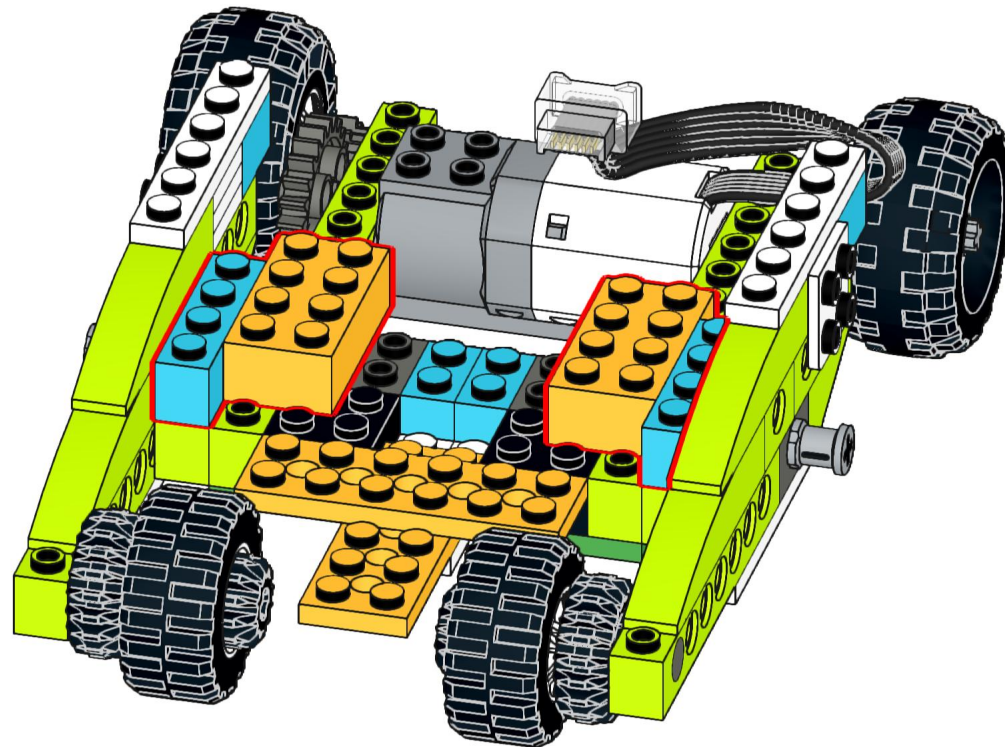
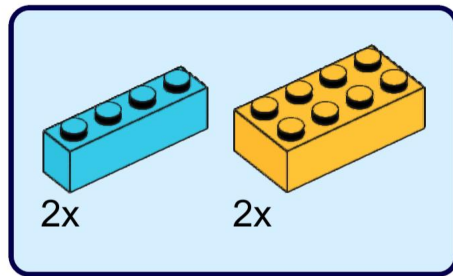
# 33



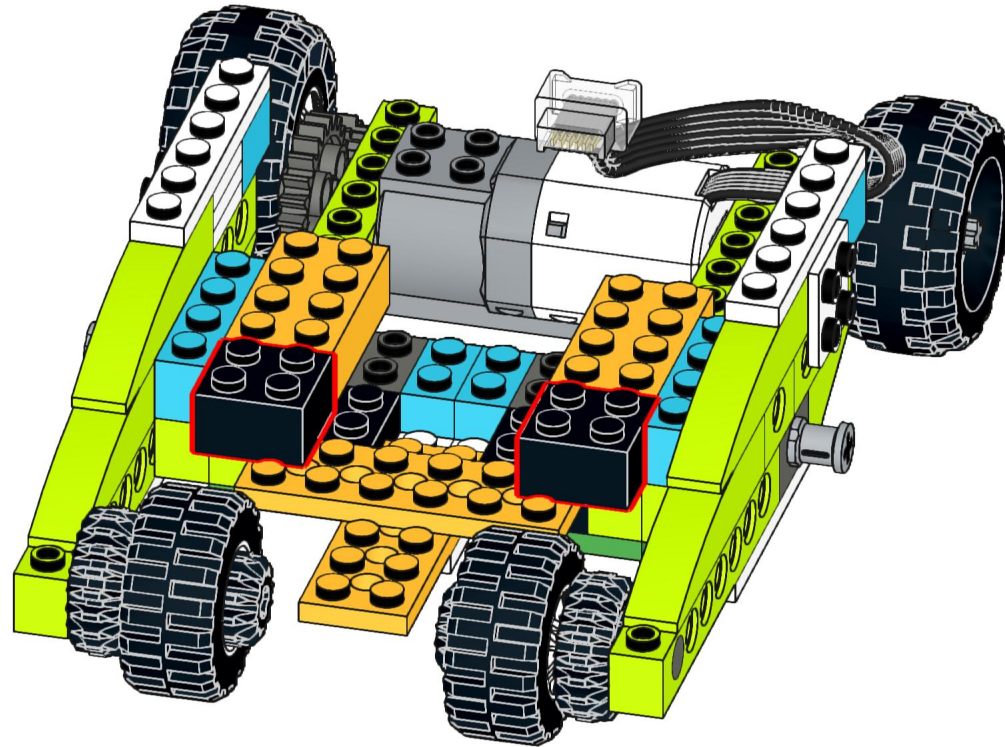
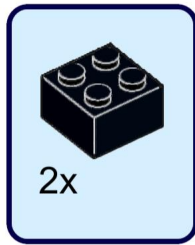
# 34



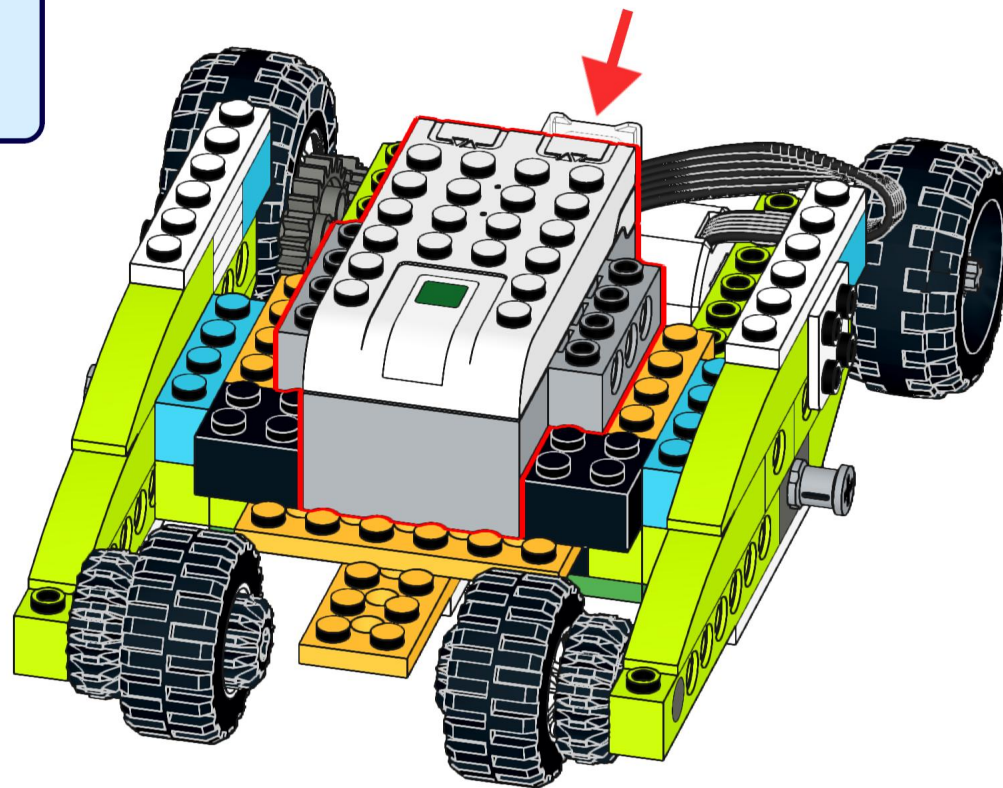
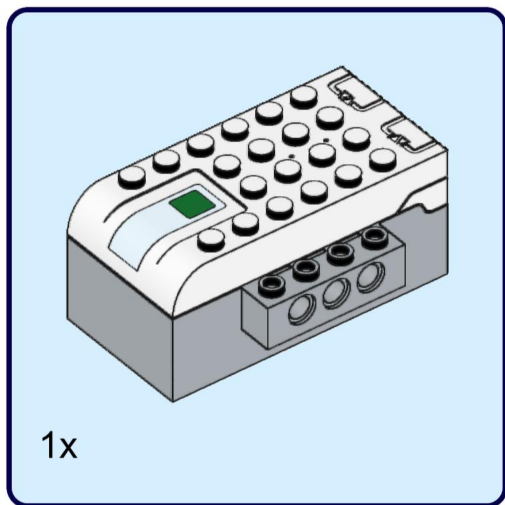
# 35



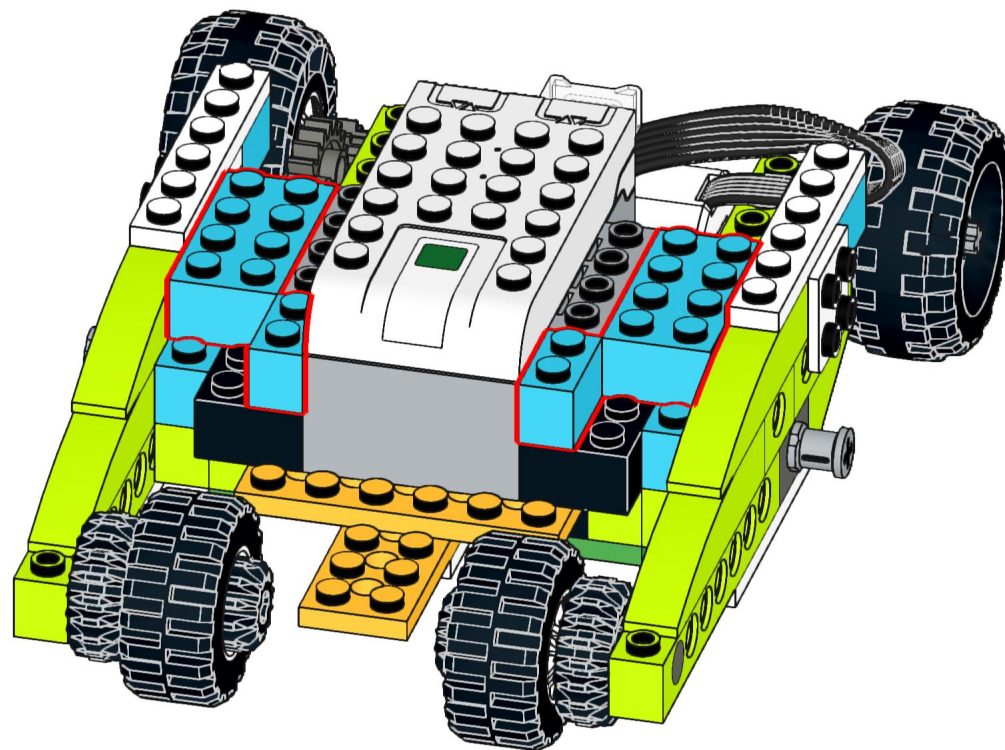
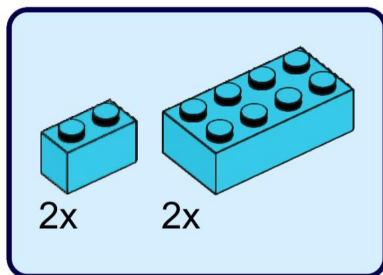
# 36



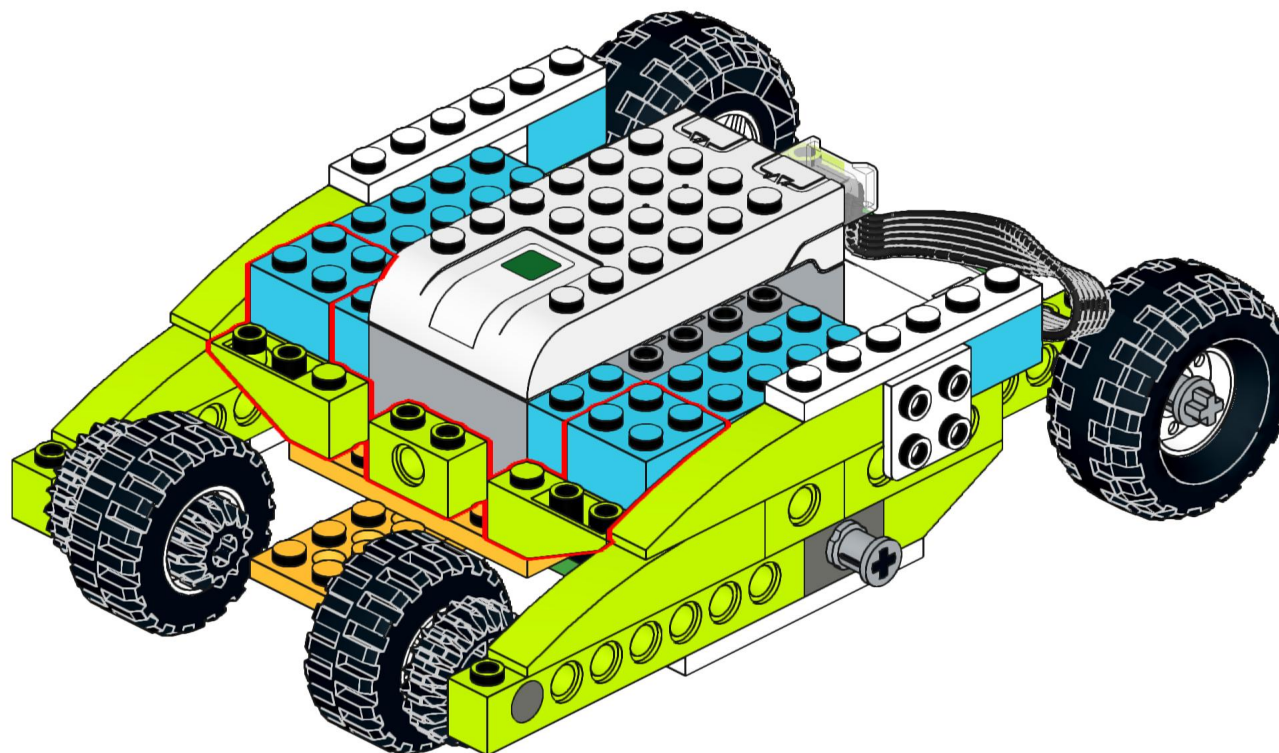
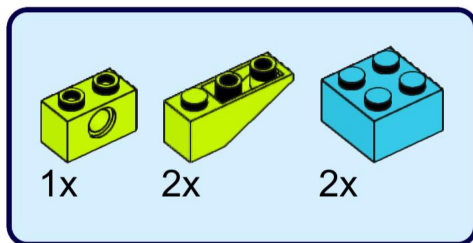
# 37



# 38

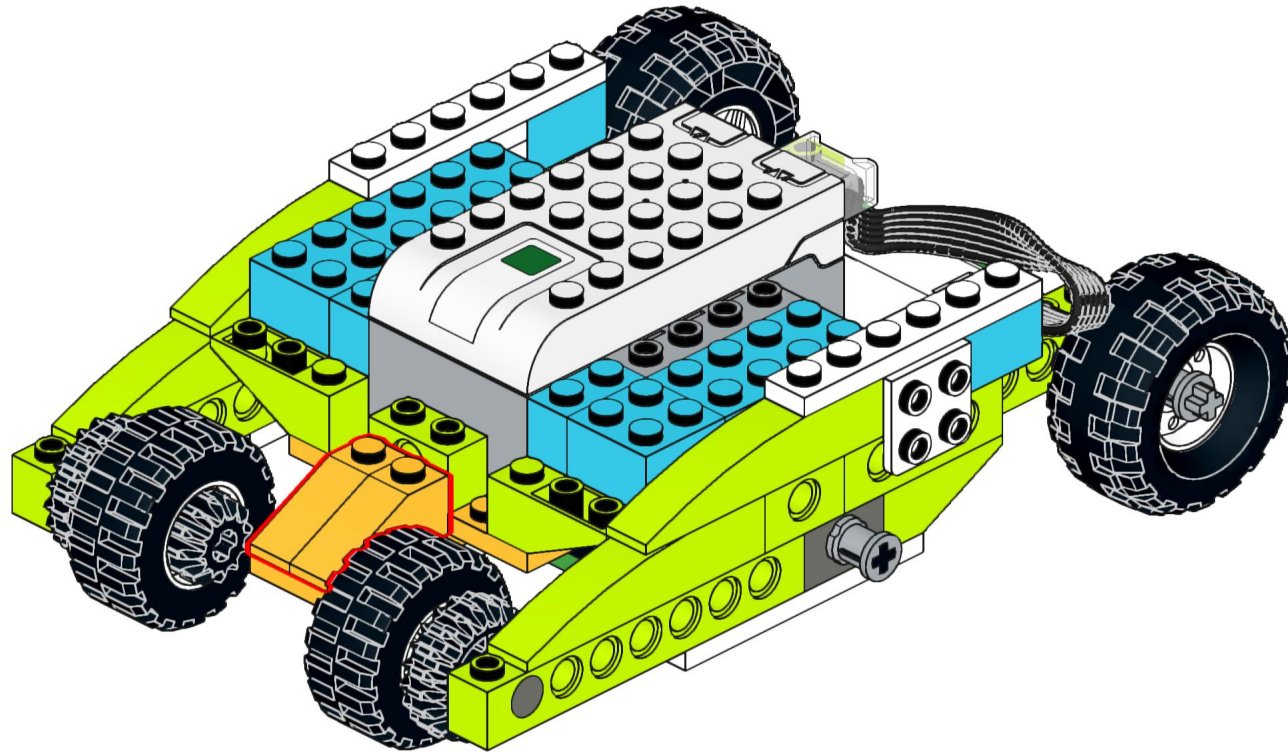
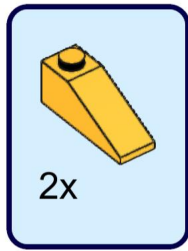


# 39

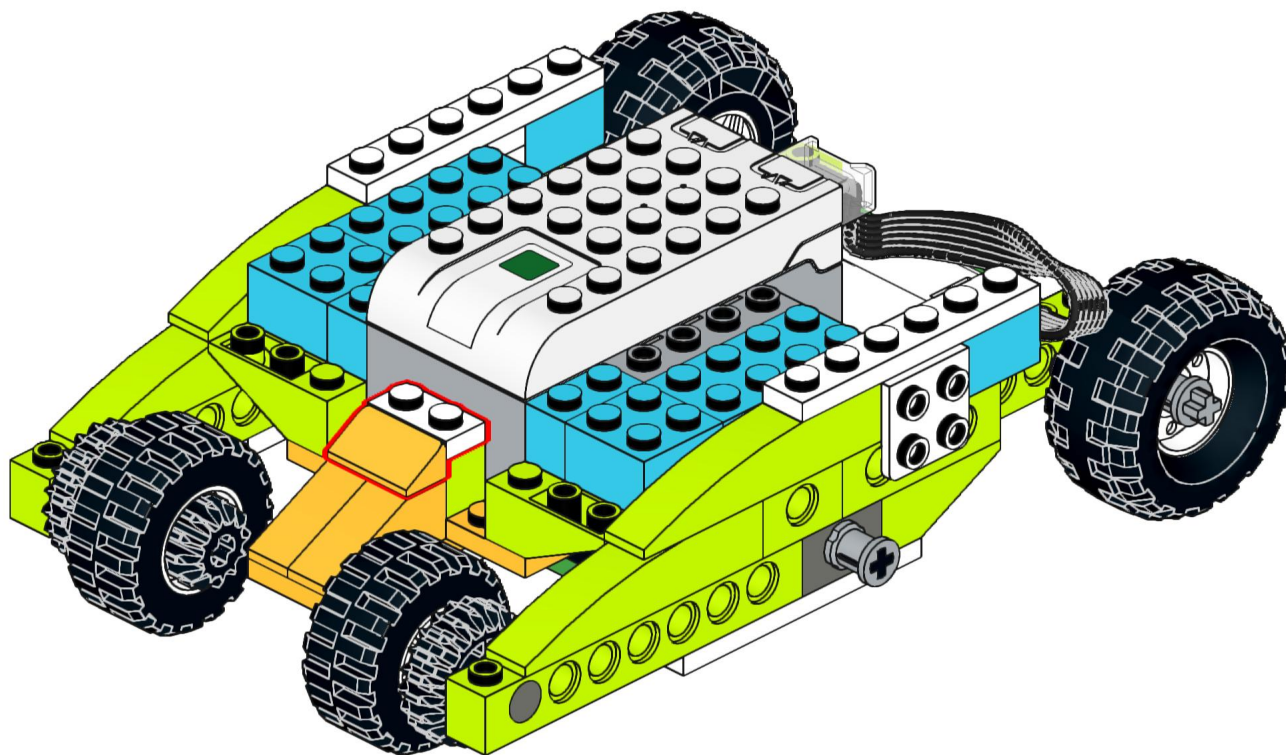
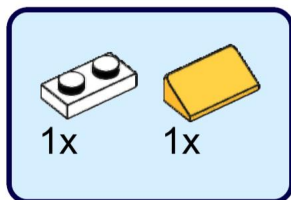




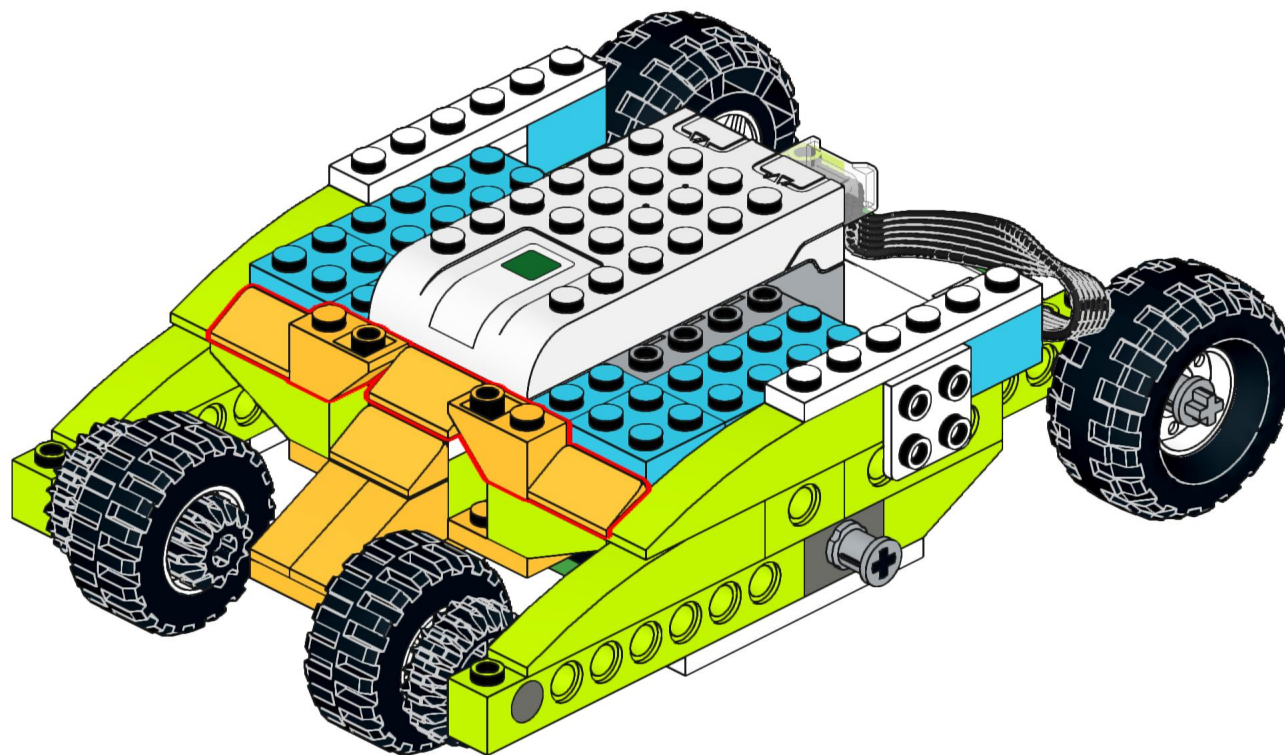
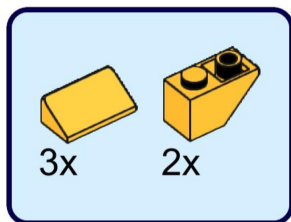
# 40



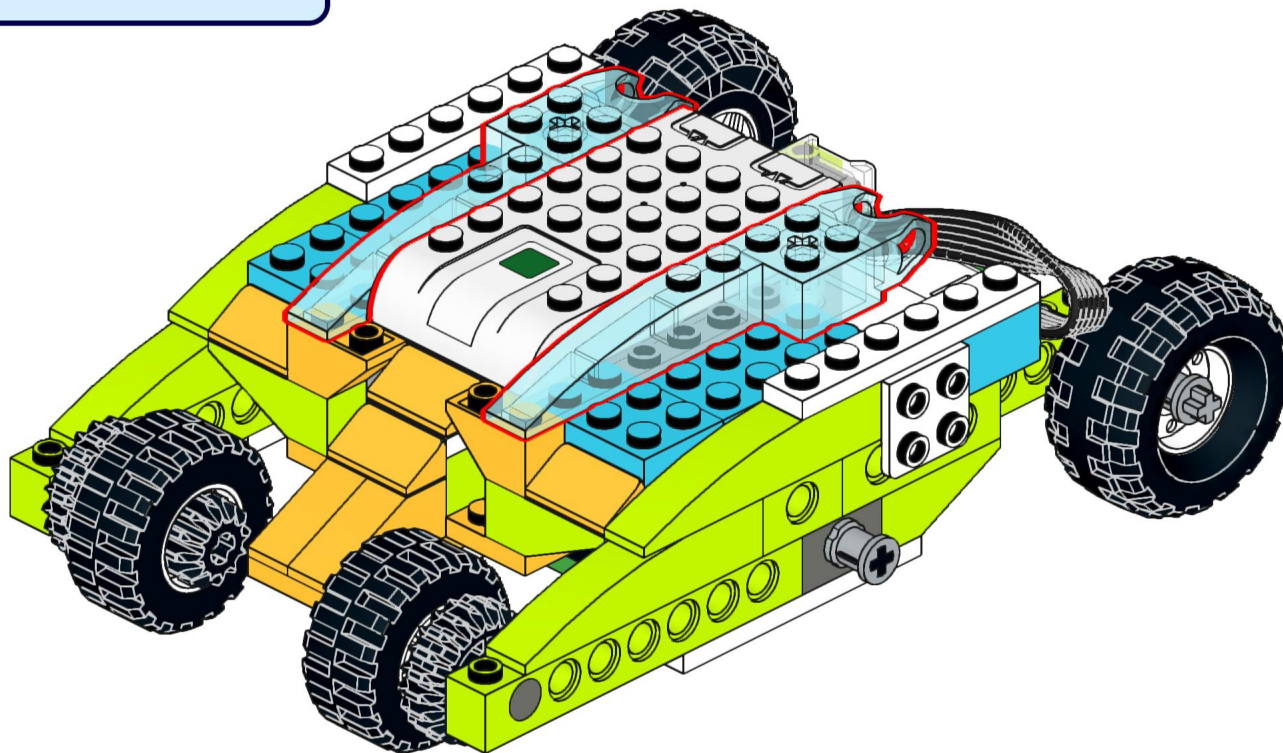
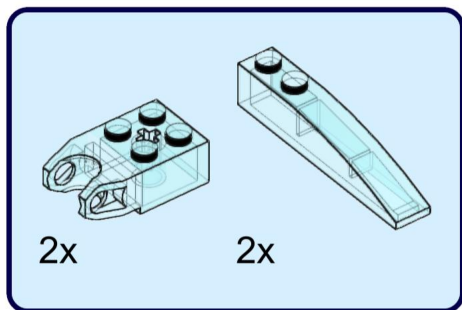
# 41



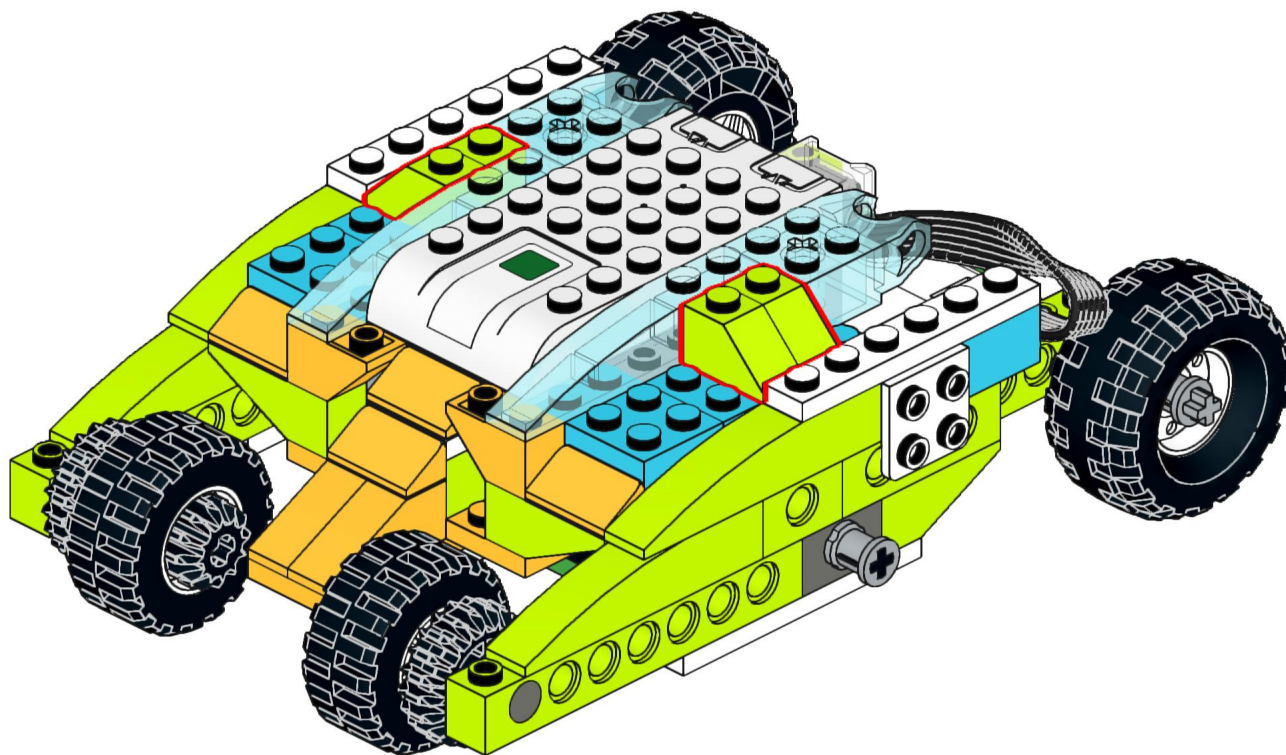
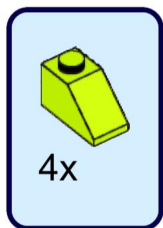
# 42



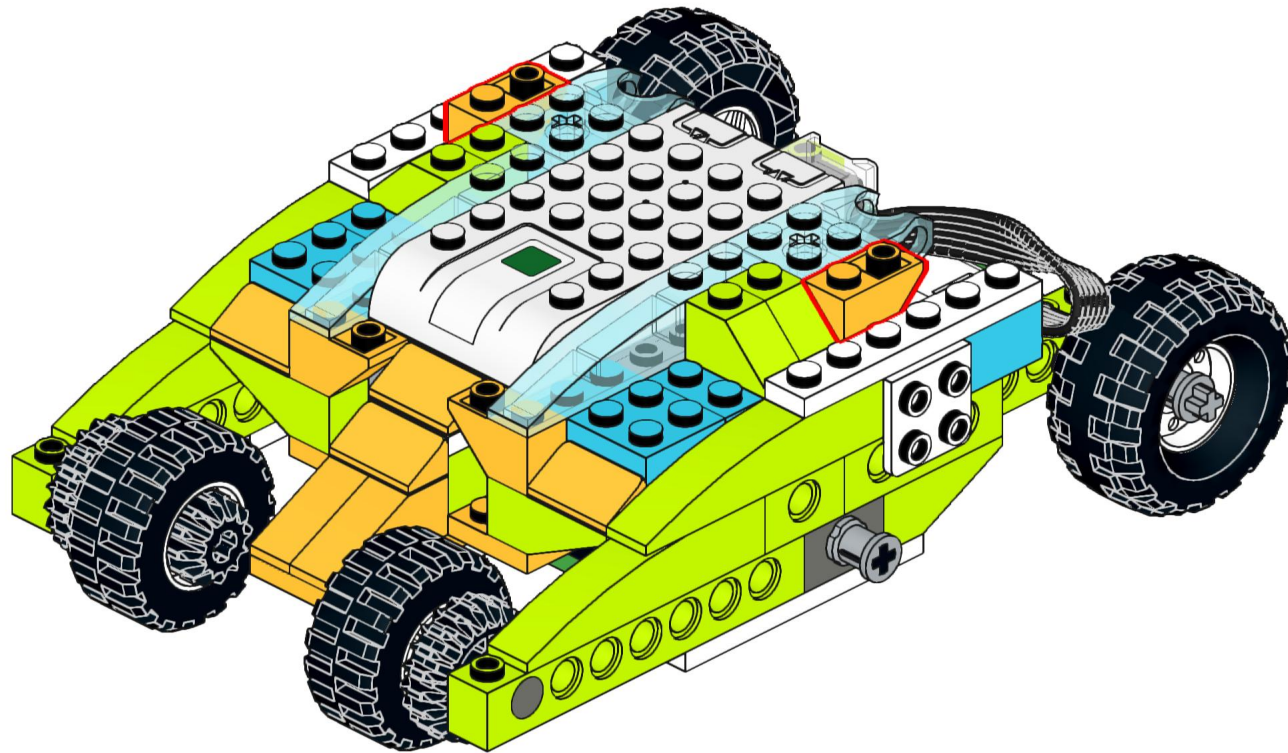
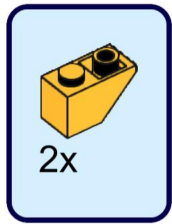
# 43



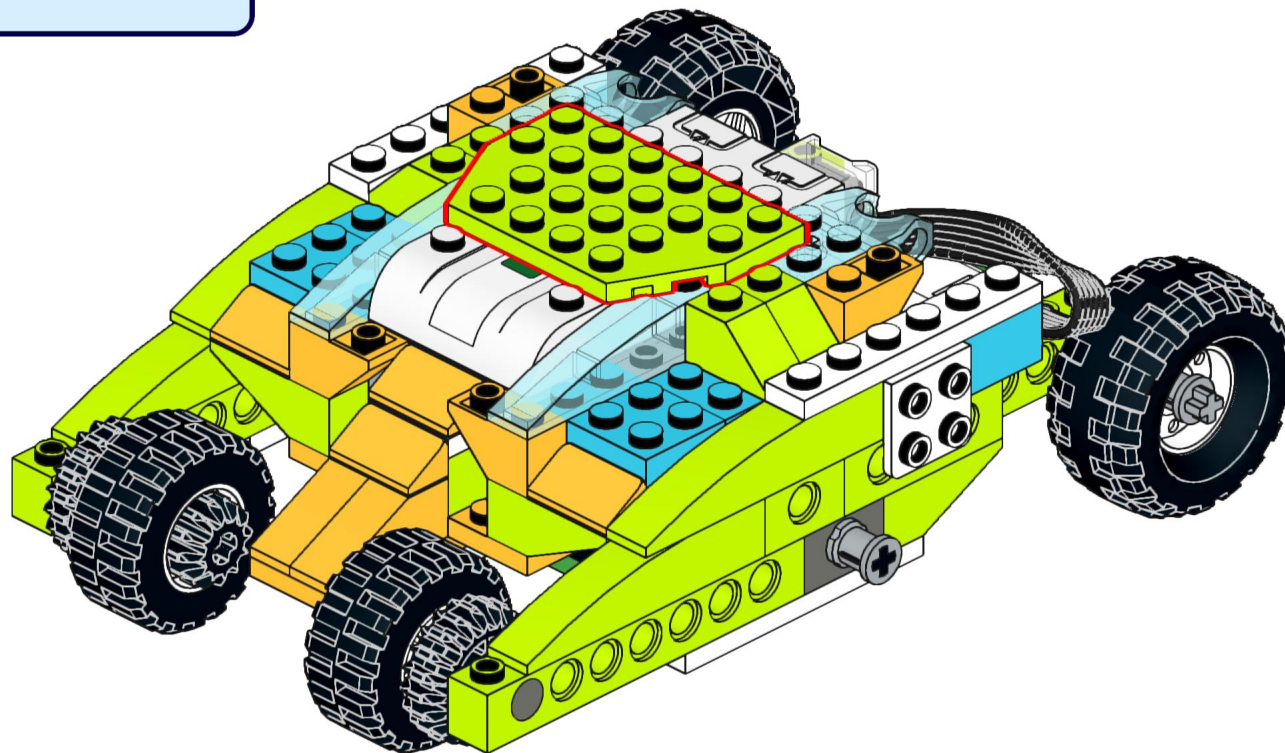
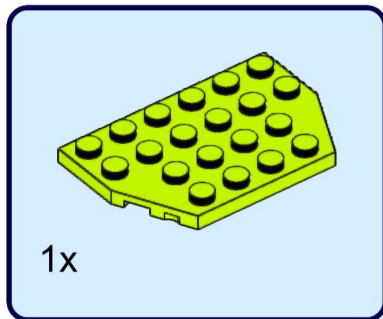
# 44



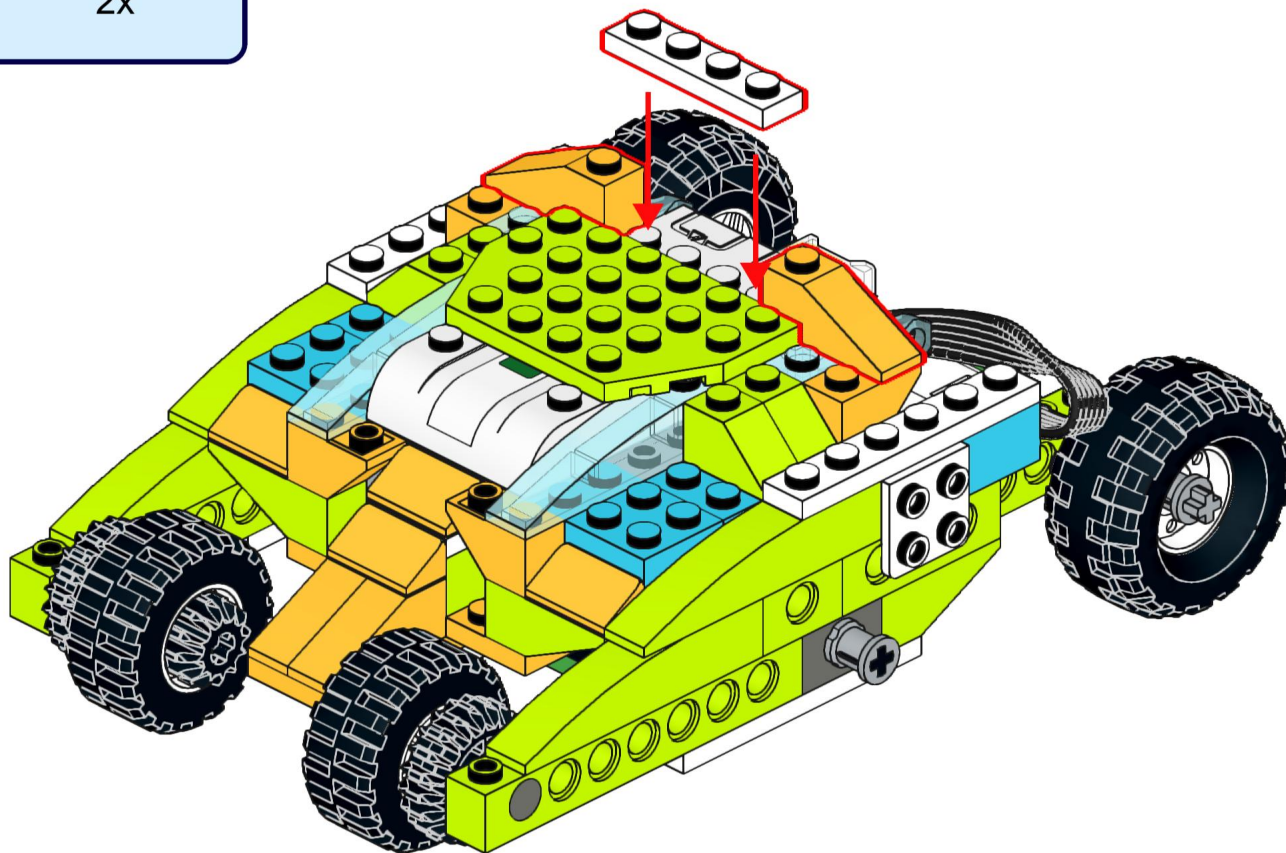
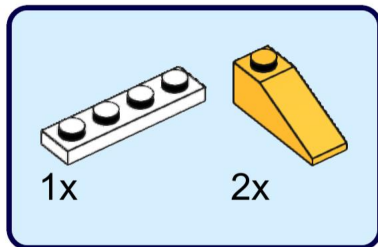
# 45



# 46

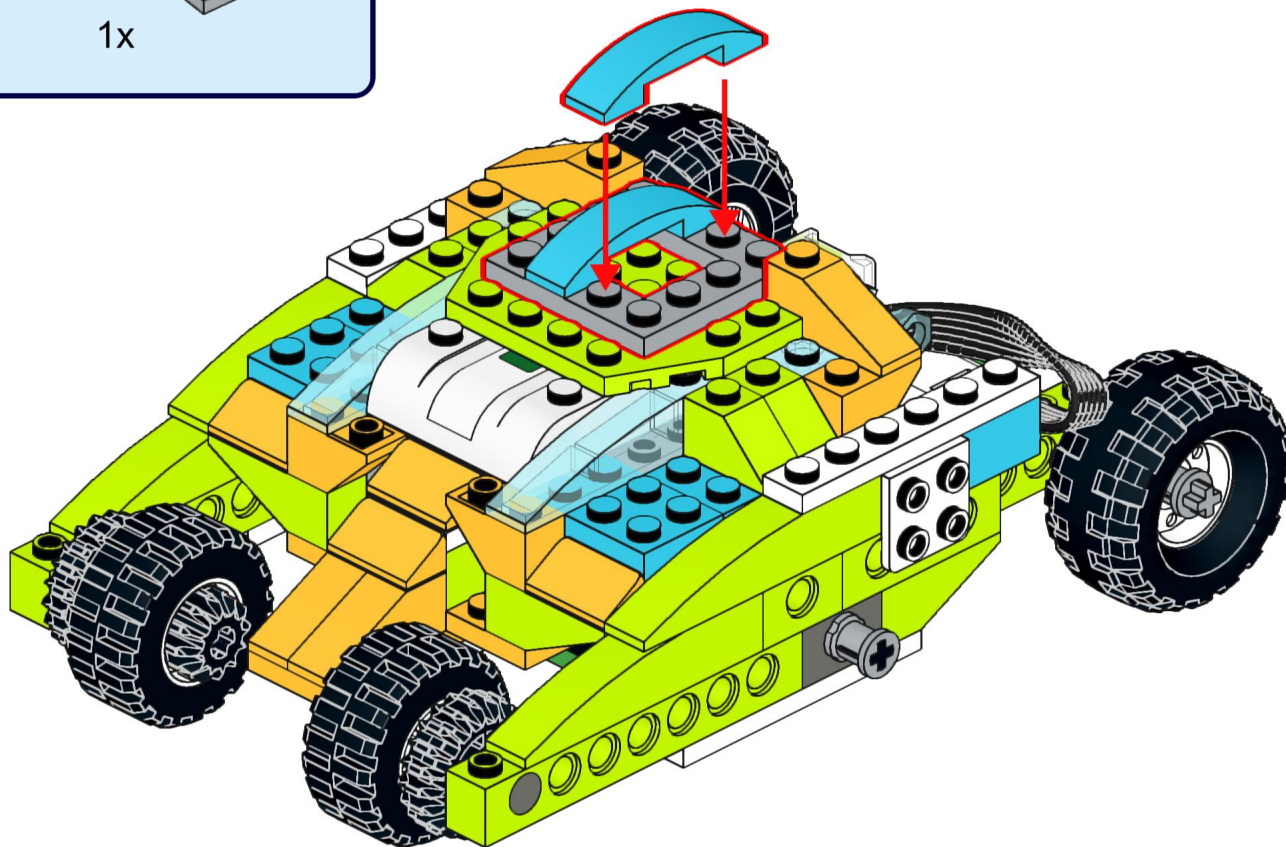
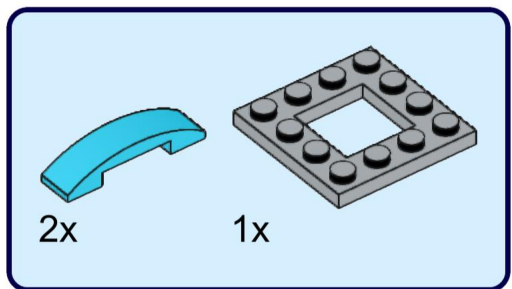


# 47

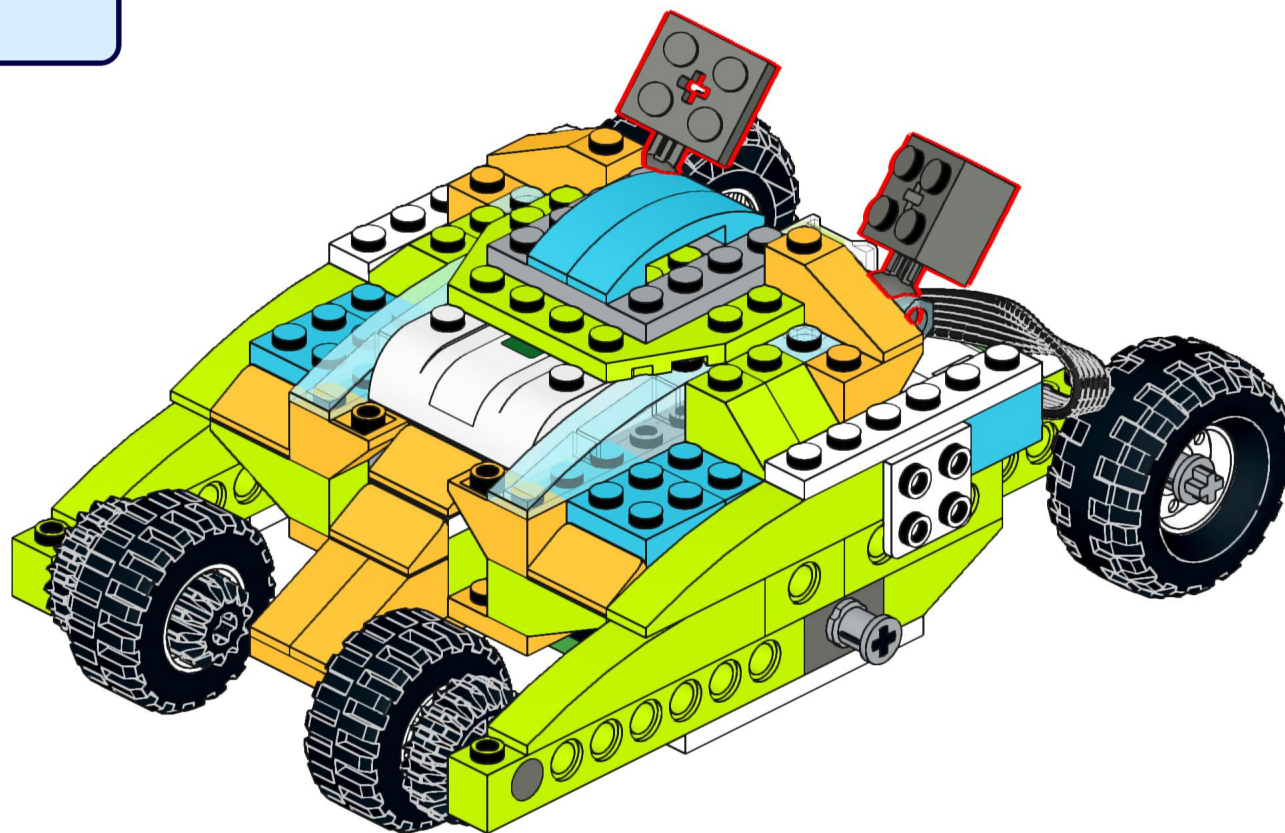
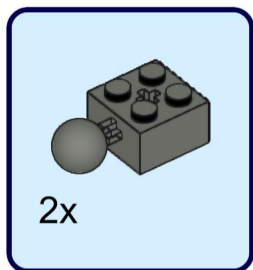




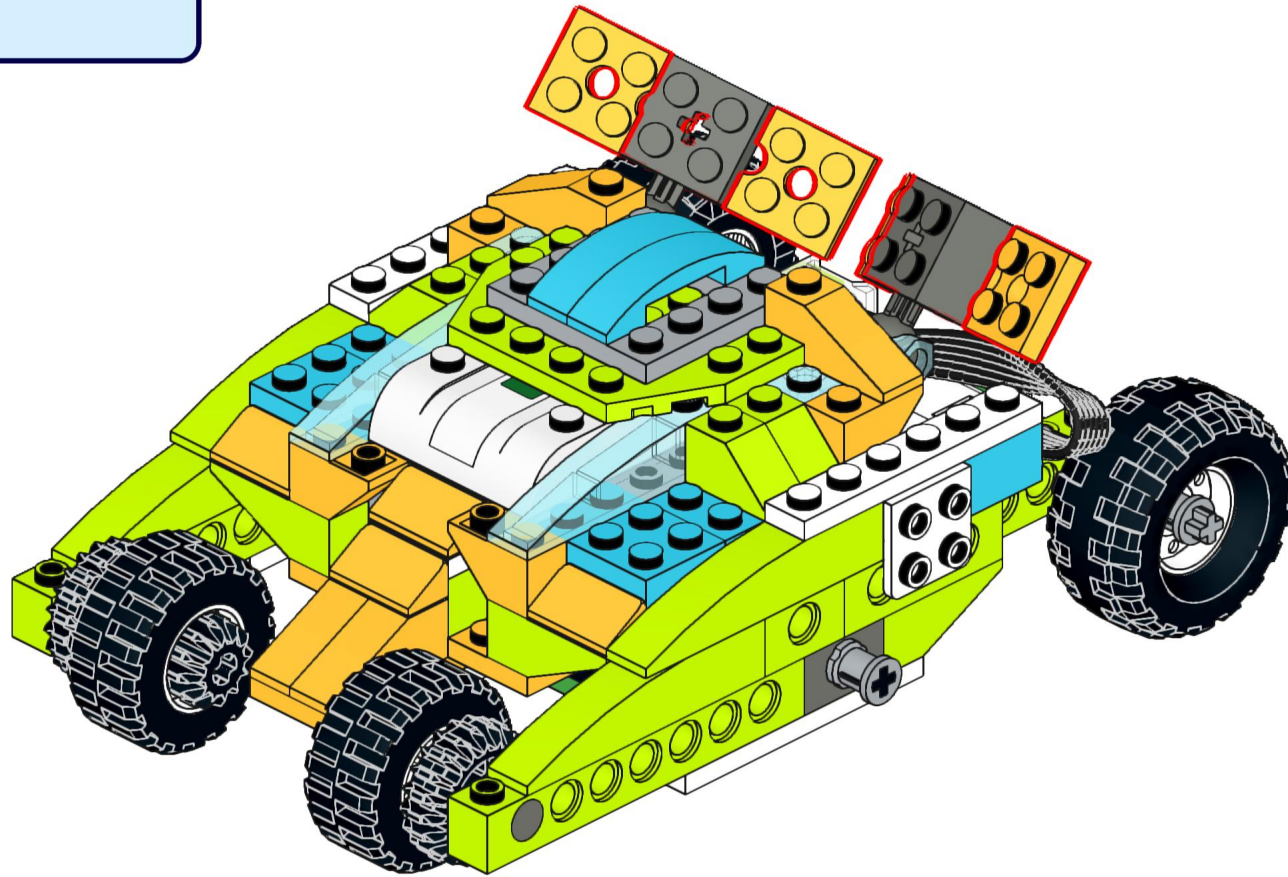
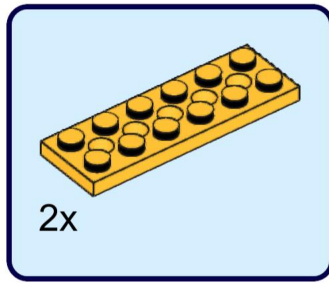
# 48



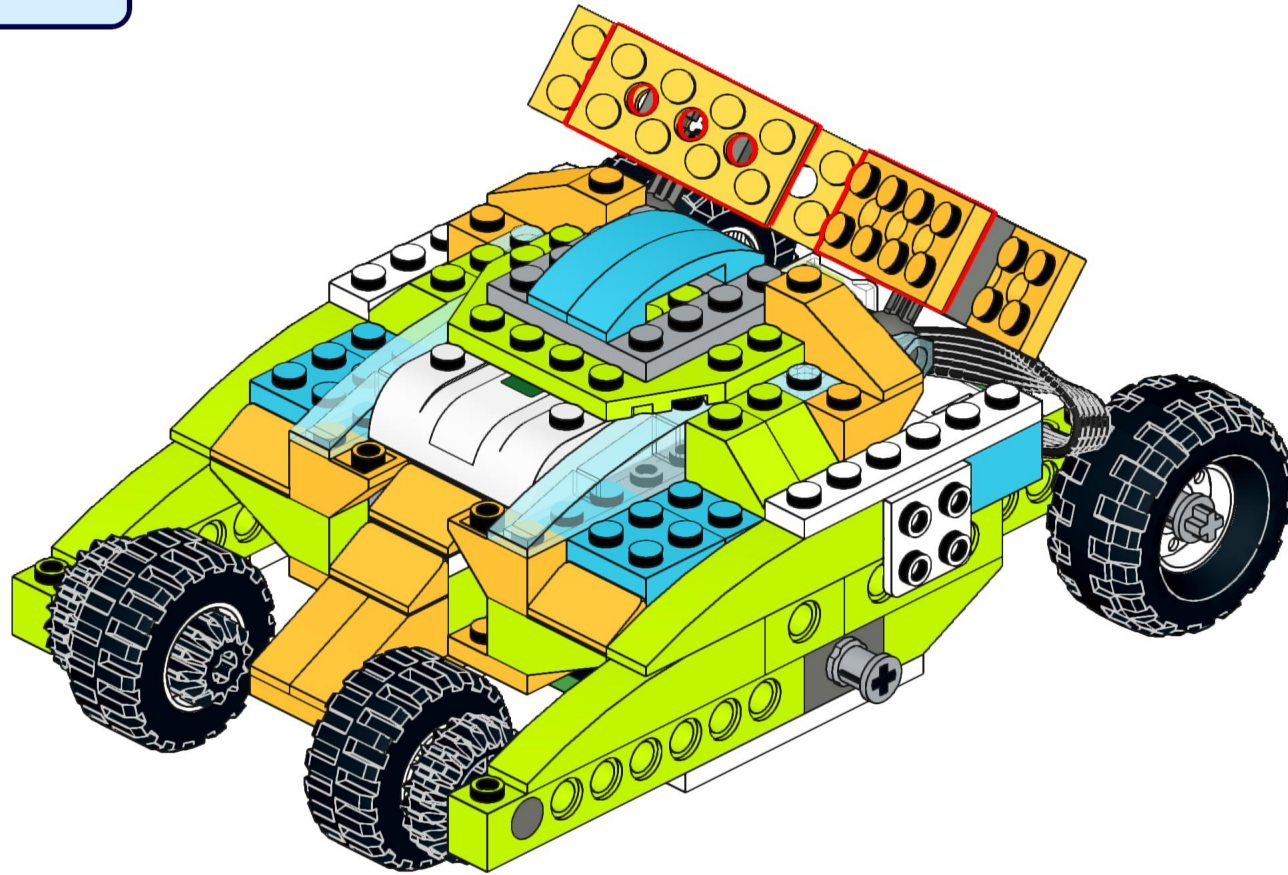
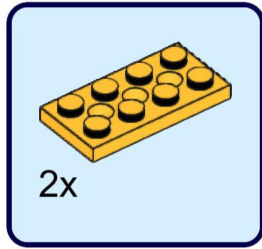
# 49



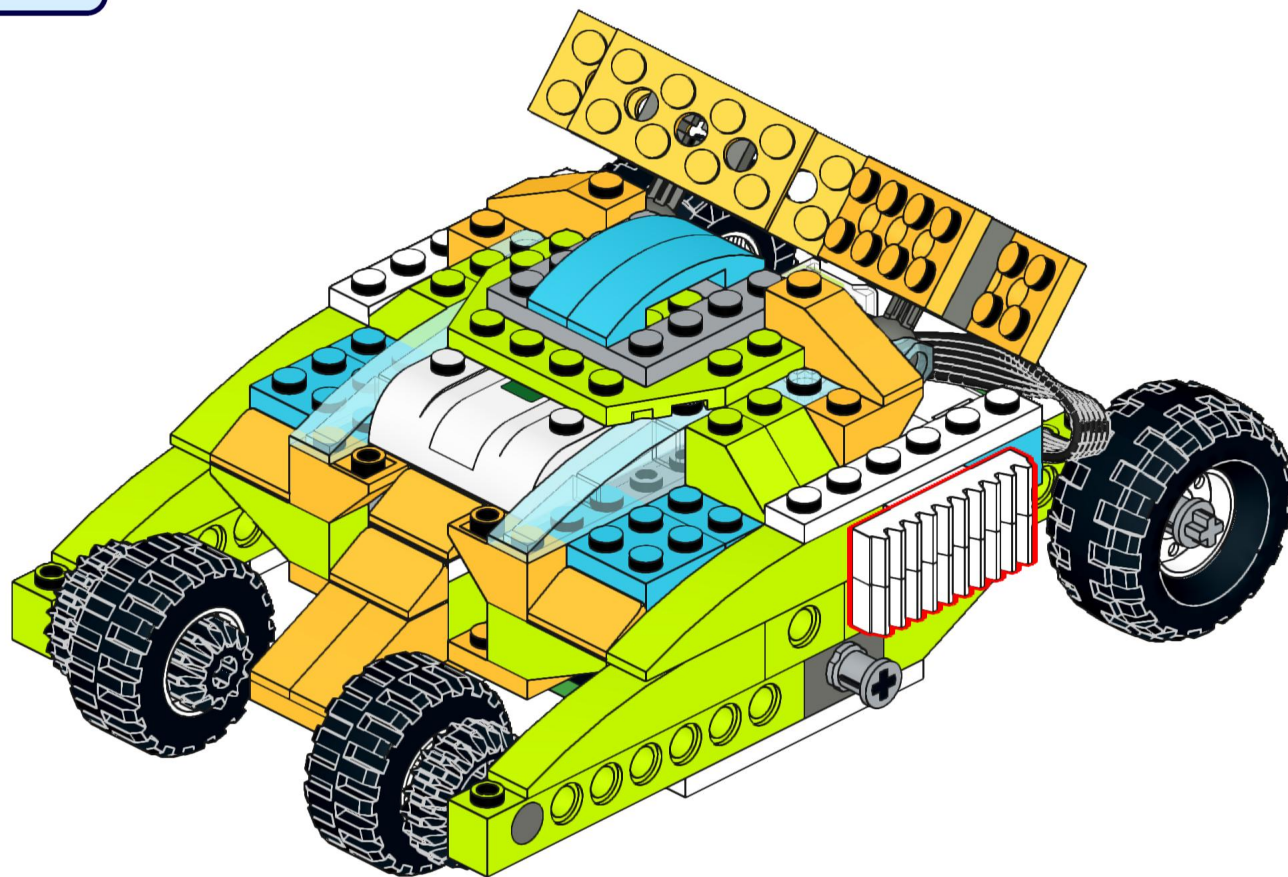
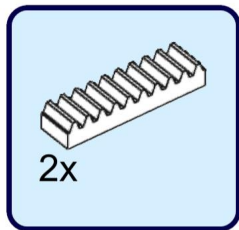
# 50



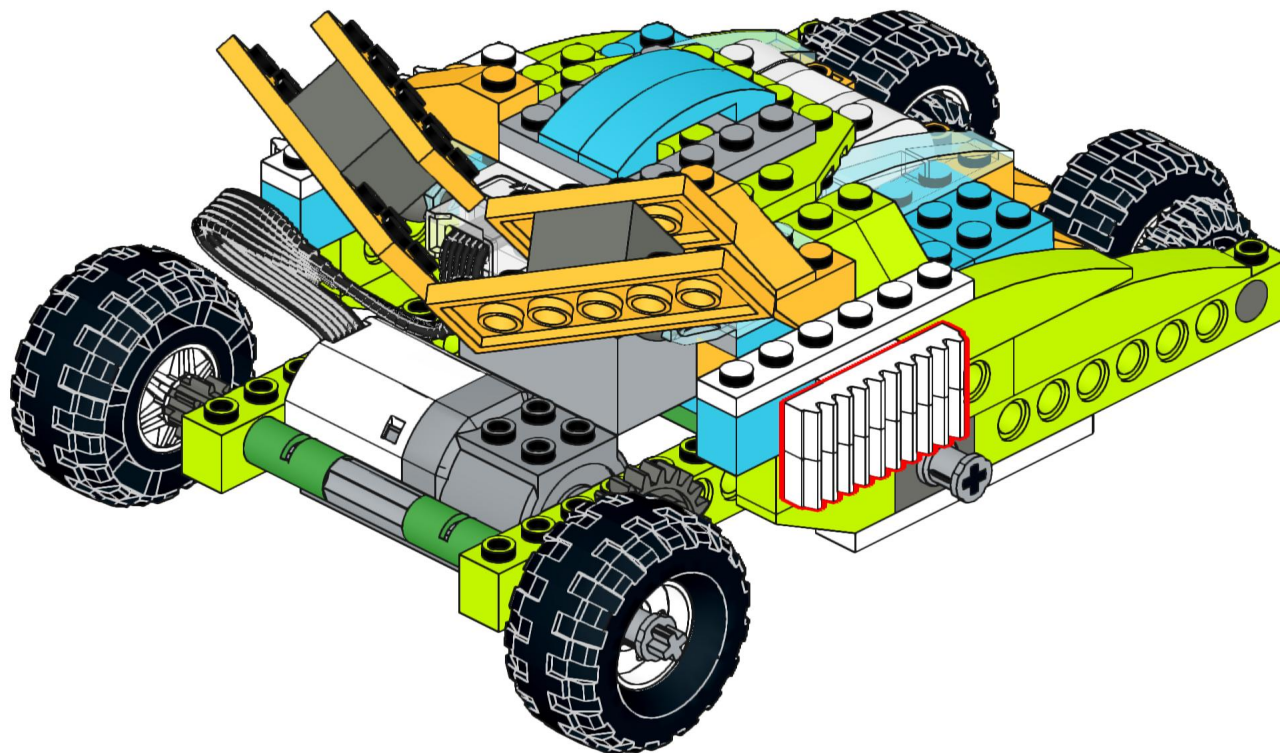
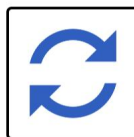
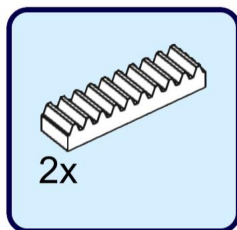
# 51



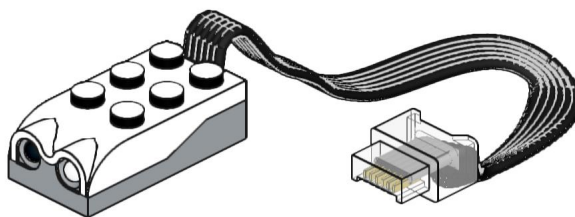
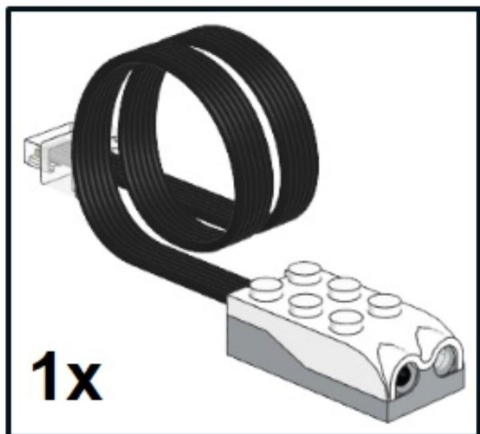
# 52



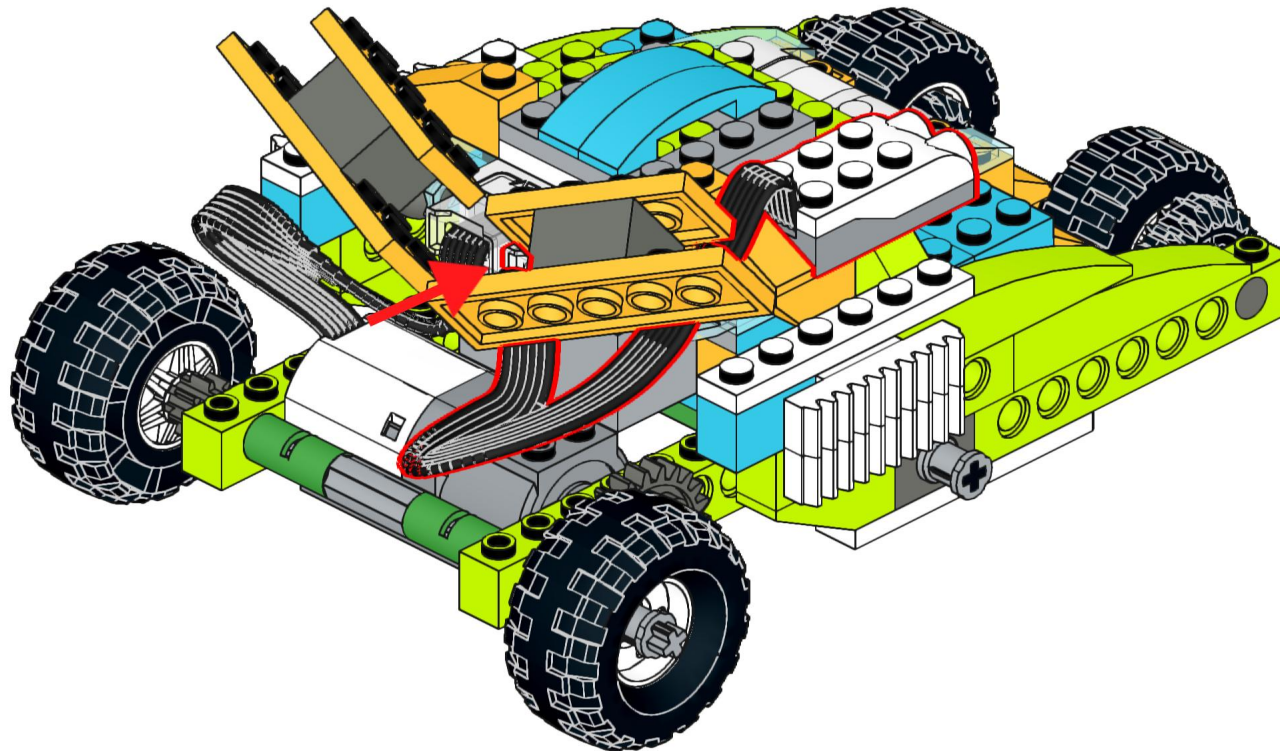
# 53



54



# 55





56

