

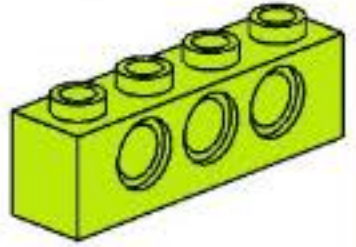
Batman Tumbler

unofficial
building instruction
for Lego WeDo 2.0

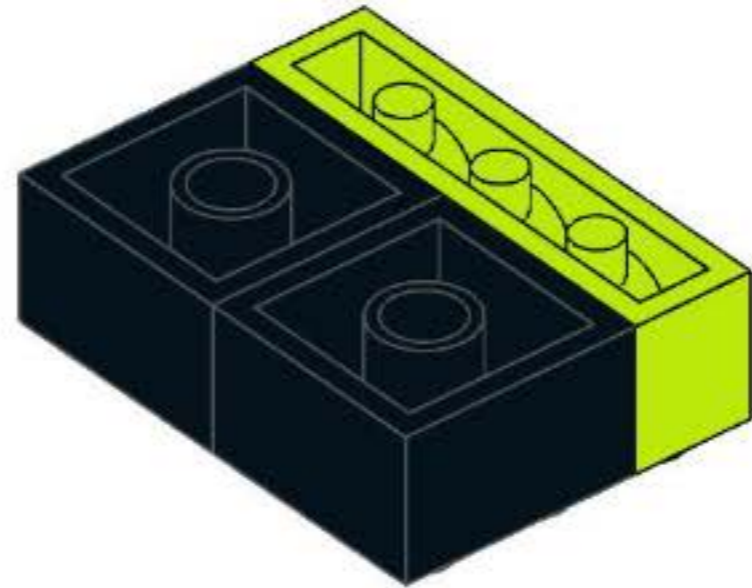
AnGer  project



2x



1x



AnGer project

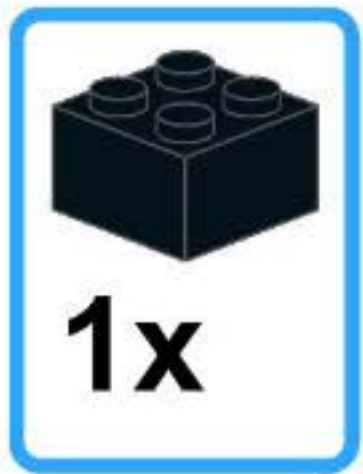
AnGer project

AnGer project

AnGer project

AnGer project

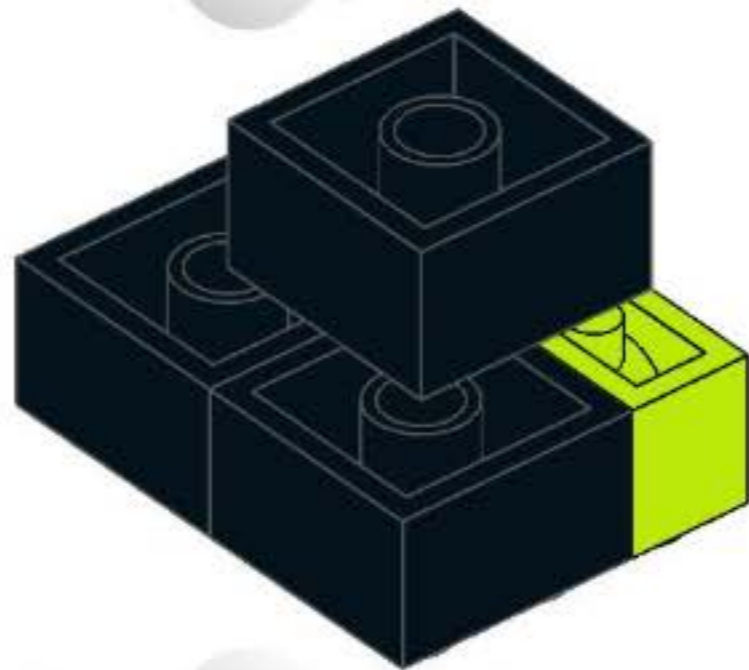
AnGer project



AnGer project

AnGer project

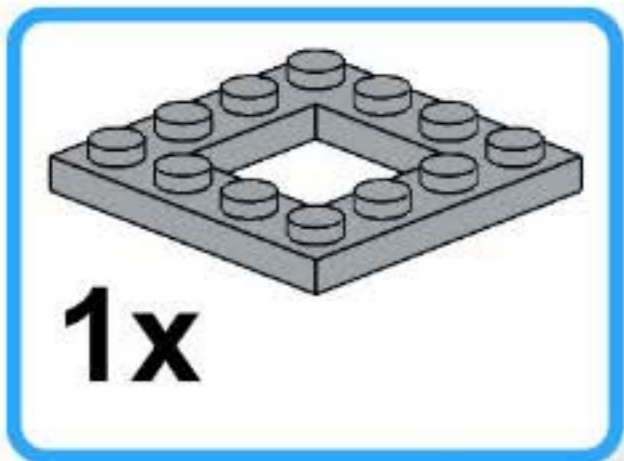
AnGer project



AnGer project

AnGer project

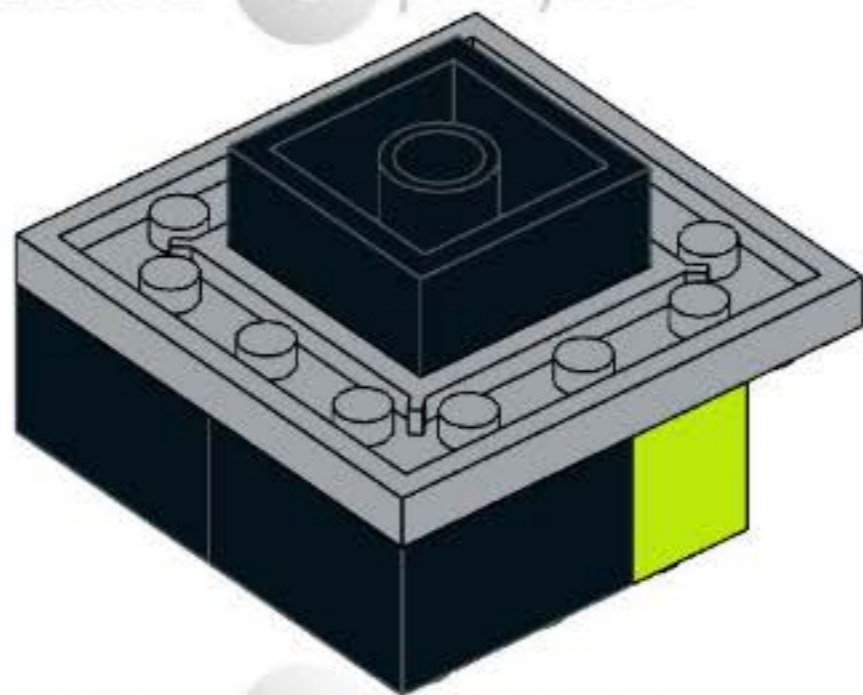
AnGer project



AnGer project

AnGer project

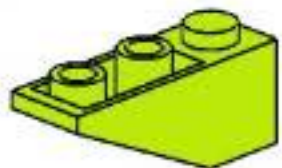
AnGer project



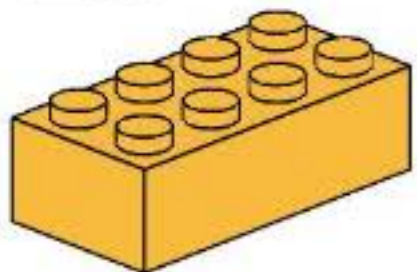
AnGer project

AnGer project

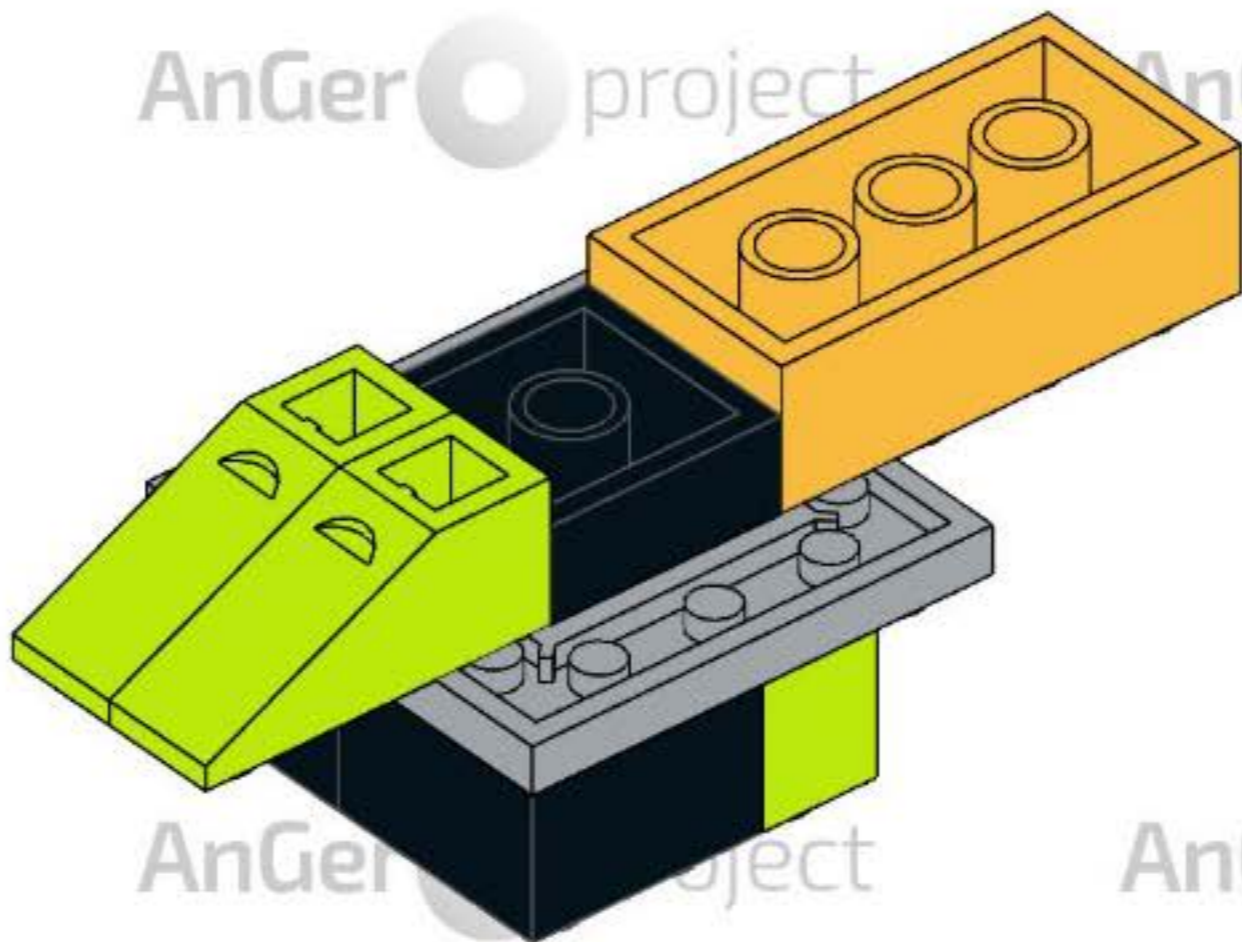
AnGer project

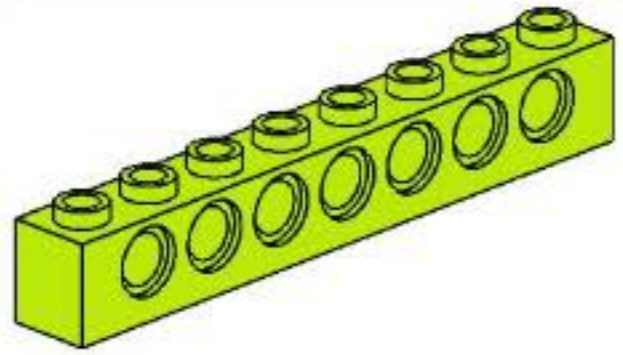


2x

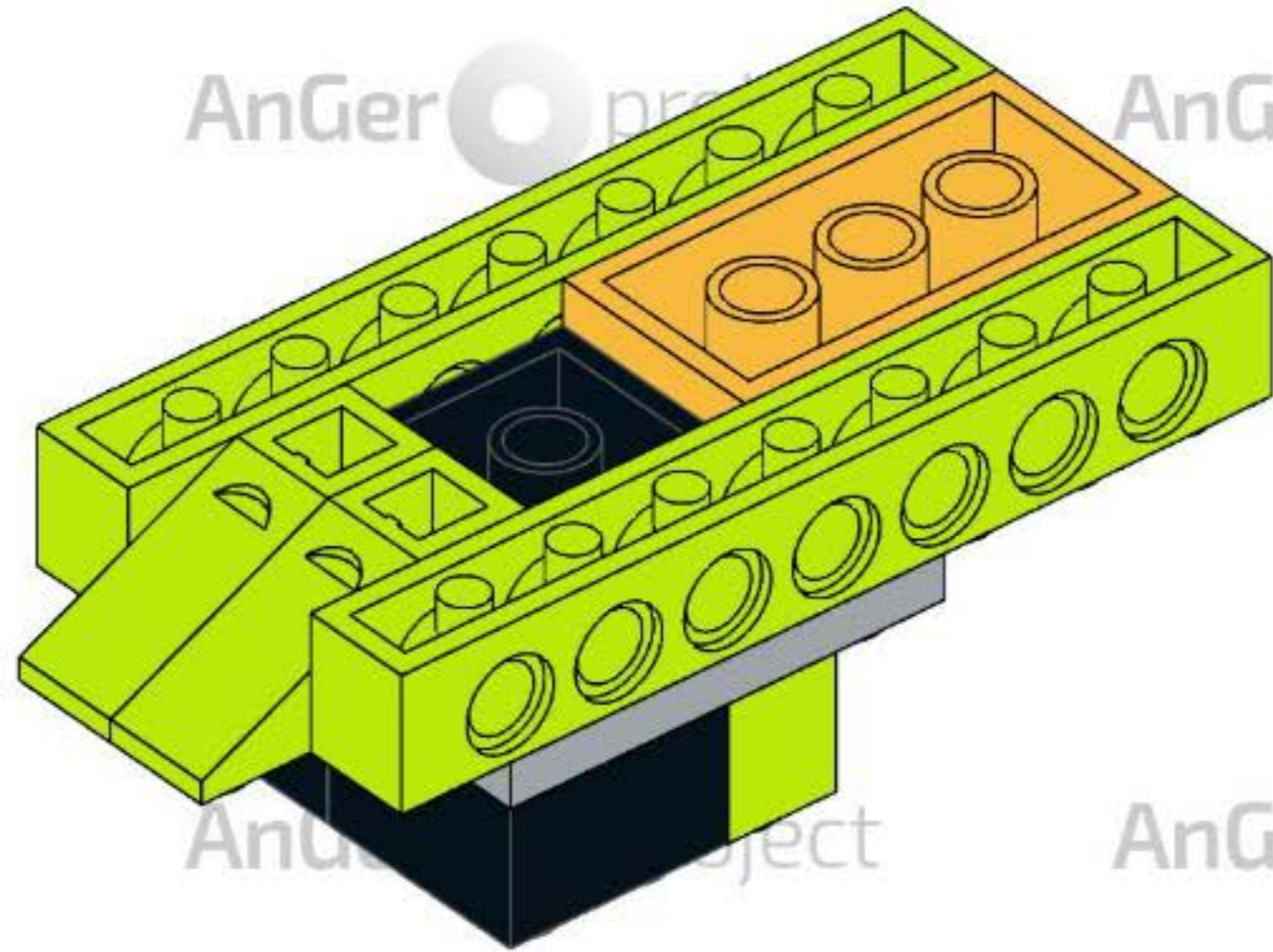


1x





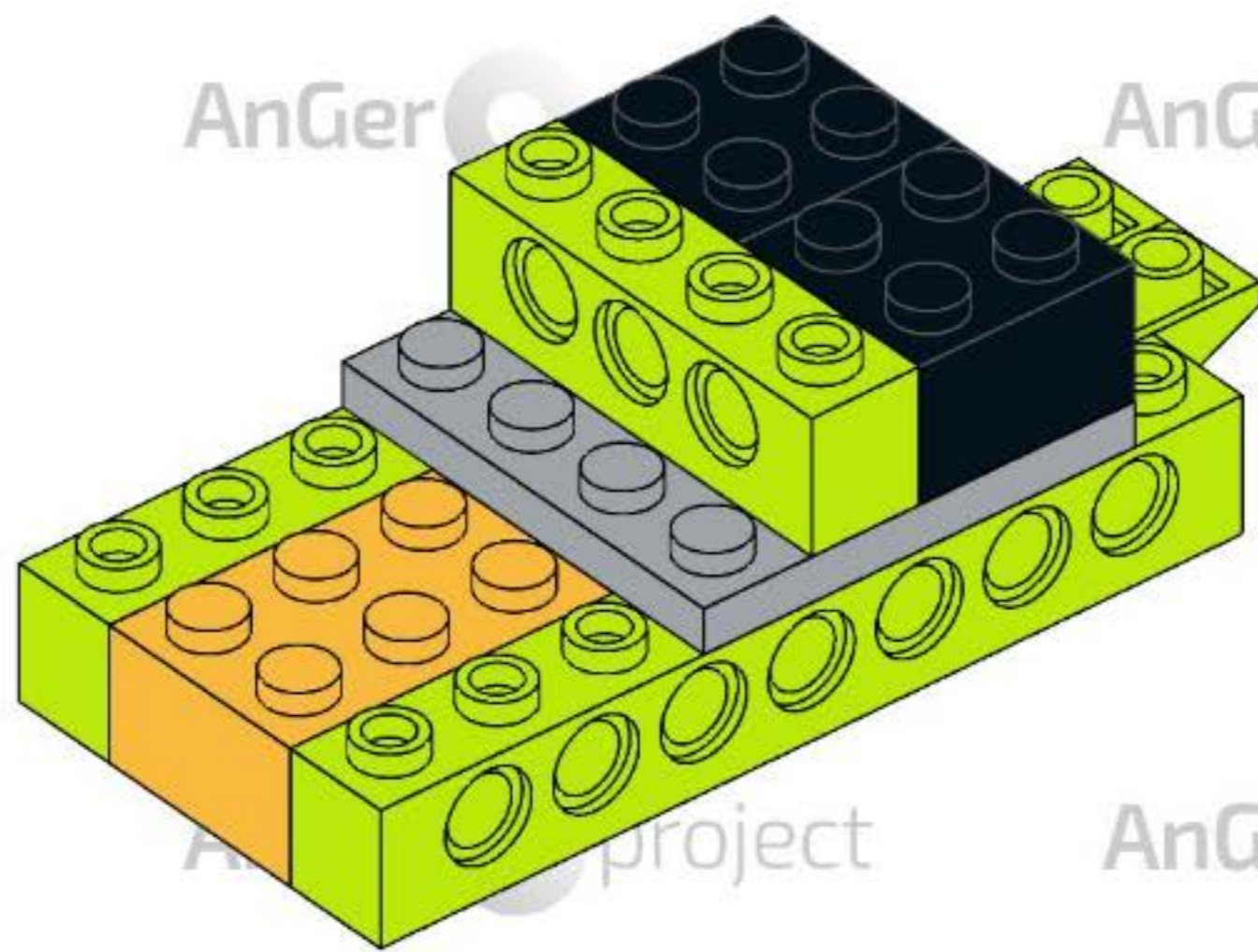
2x



AnGer project

AnGer

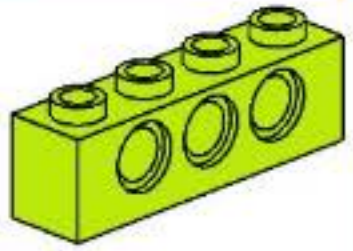
AnGer project



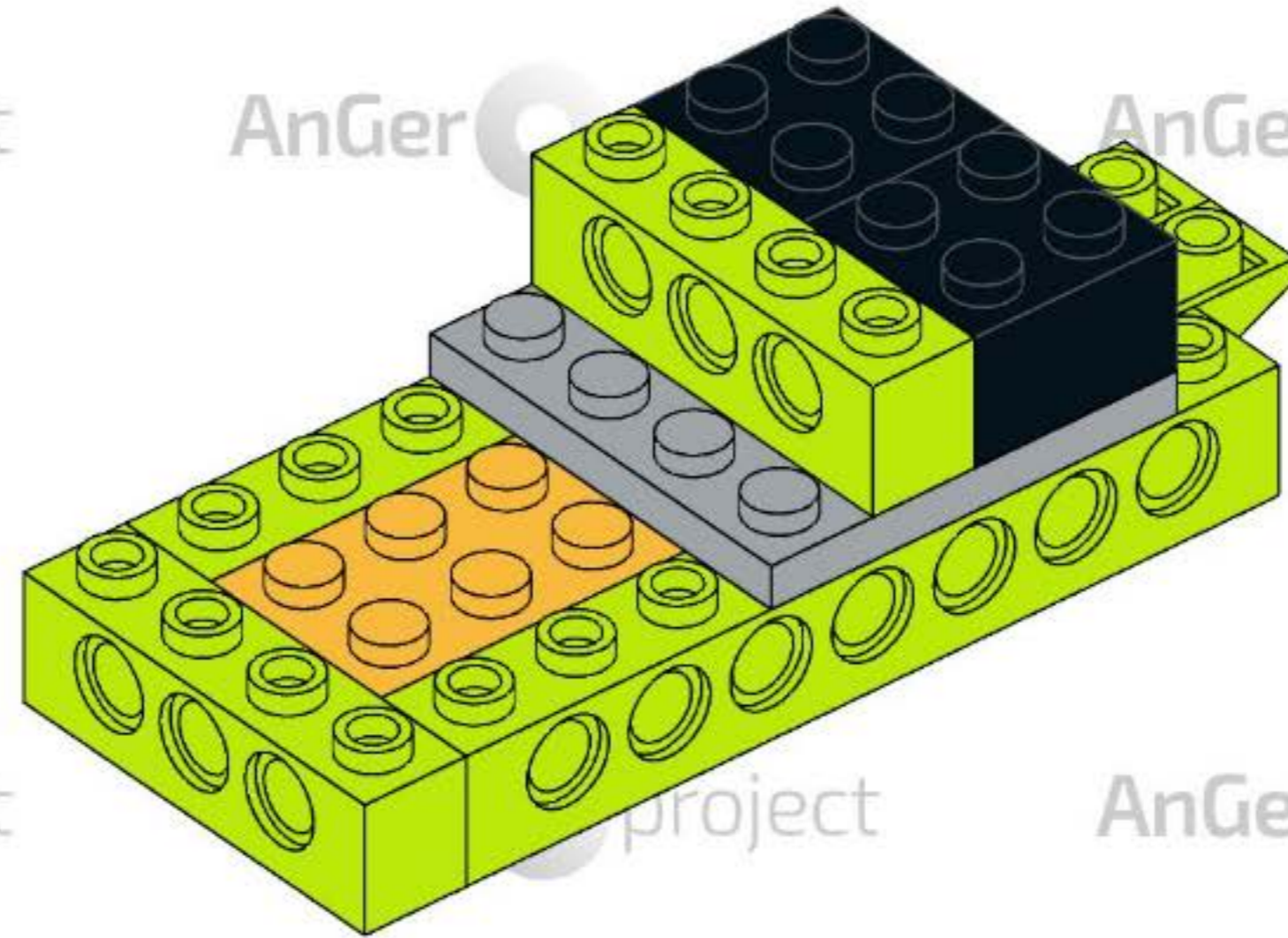
AnGer project

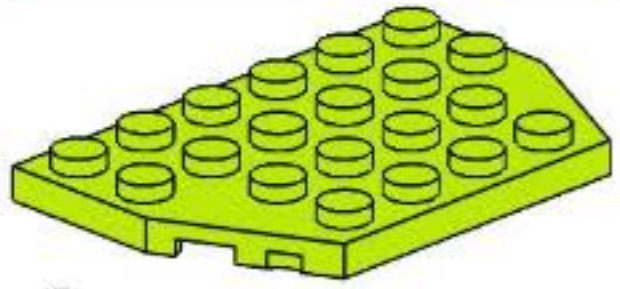
AnGer project

AnGer project

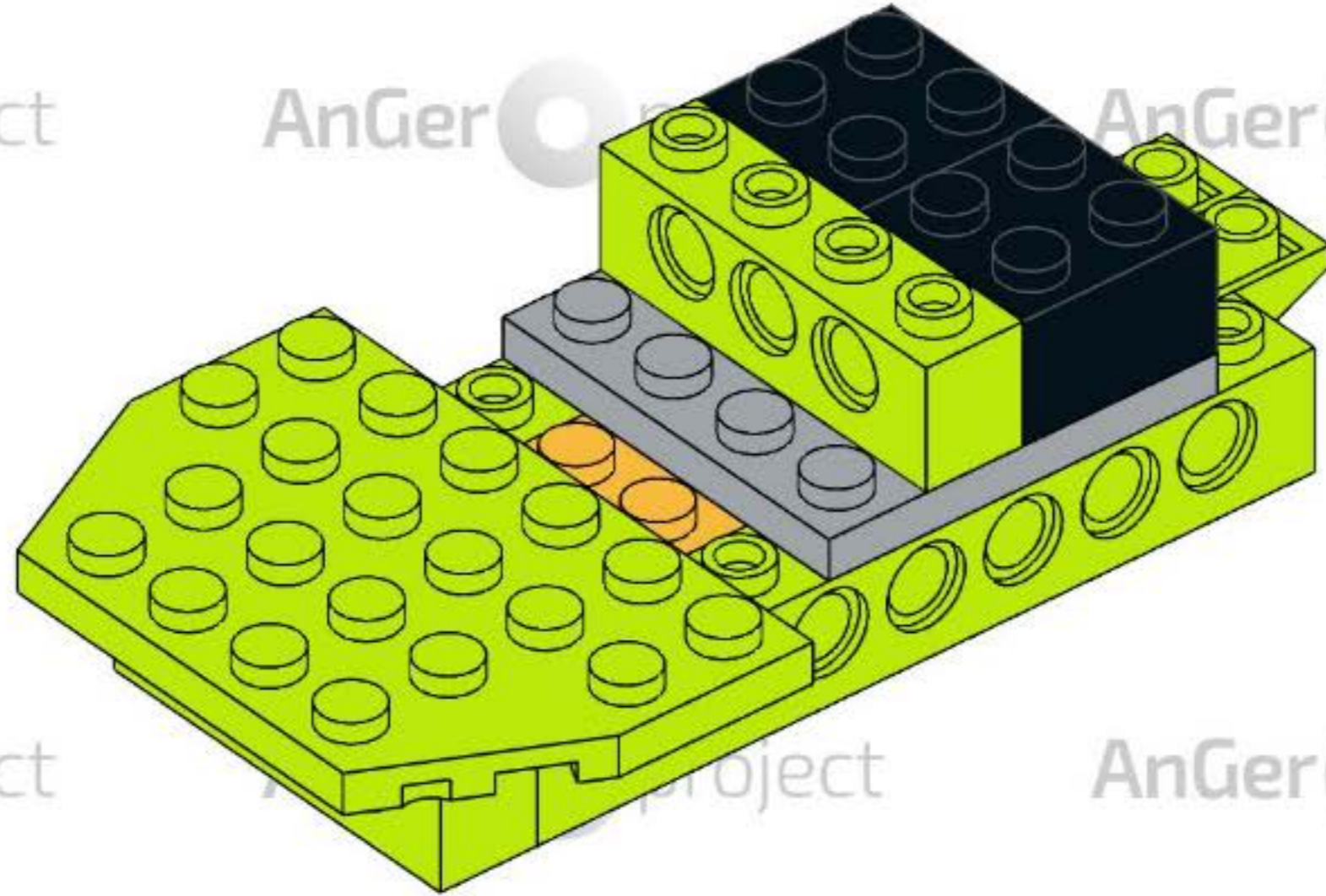


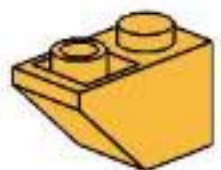
1x



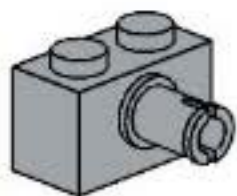


1x

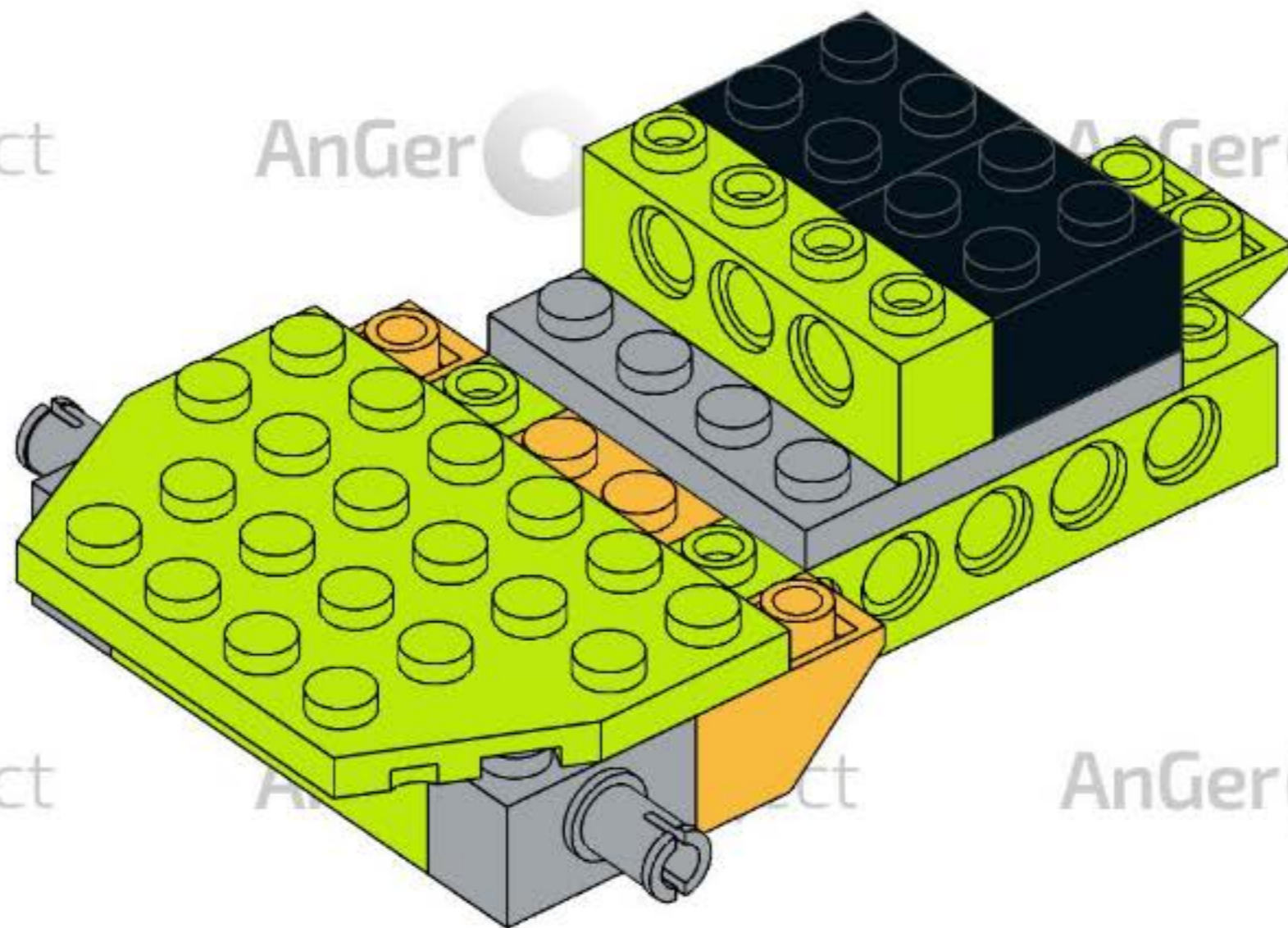




2x



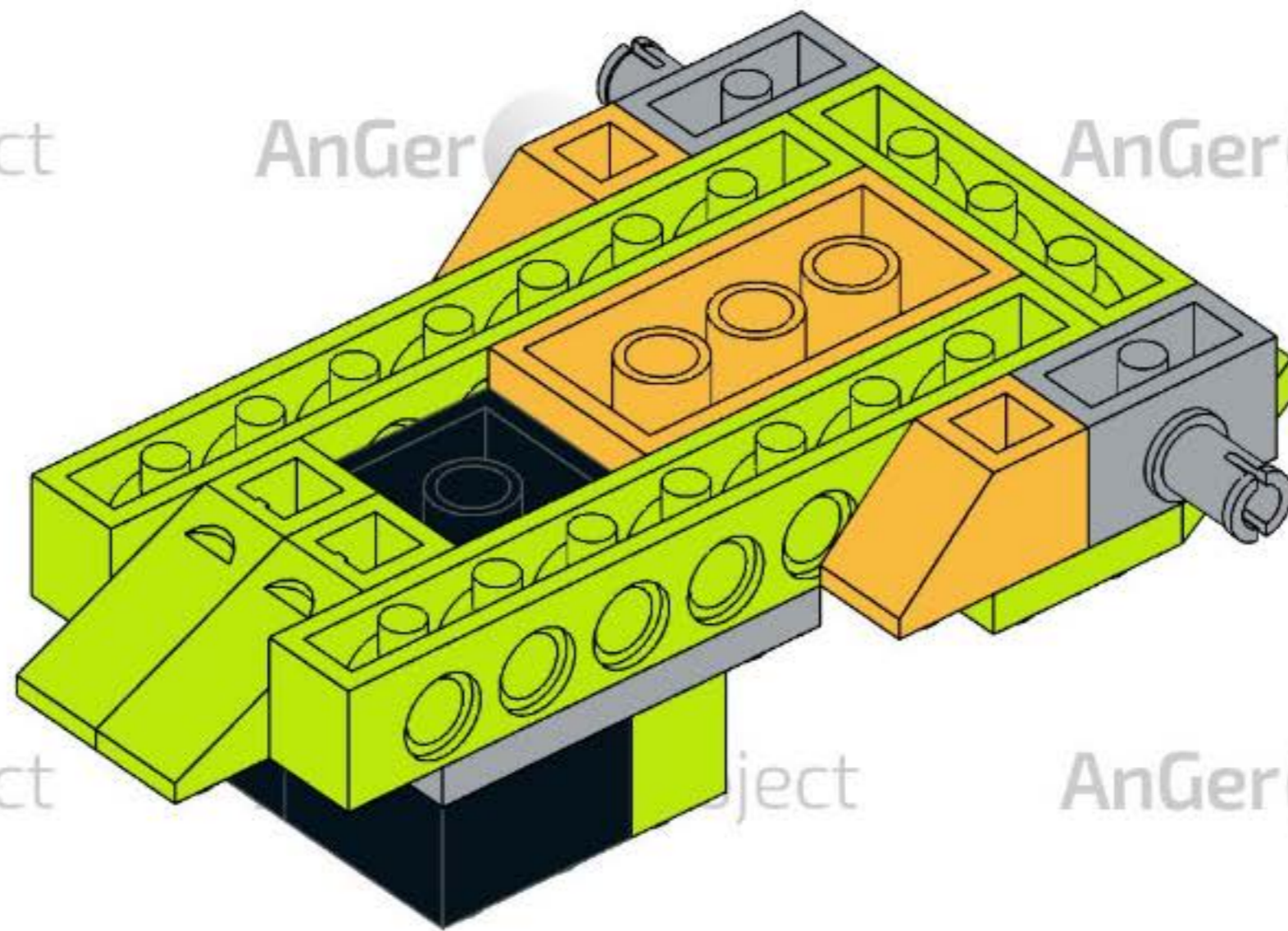
2x



AnGer project

AnGer

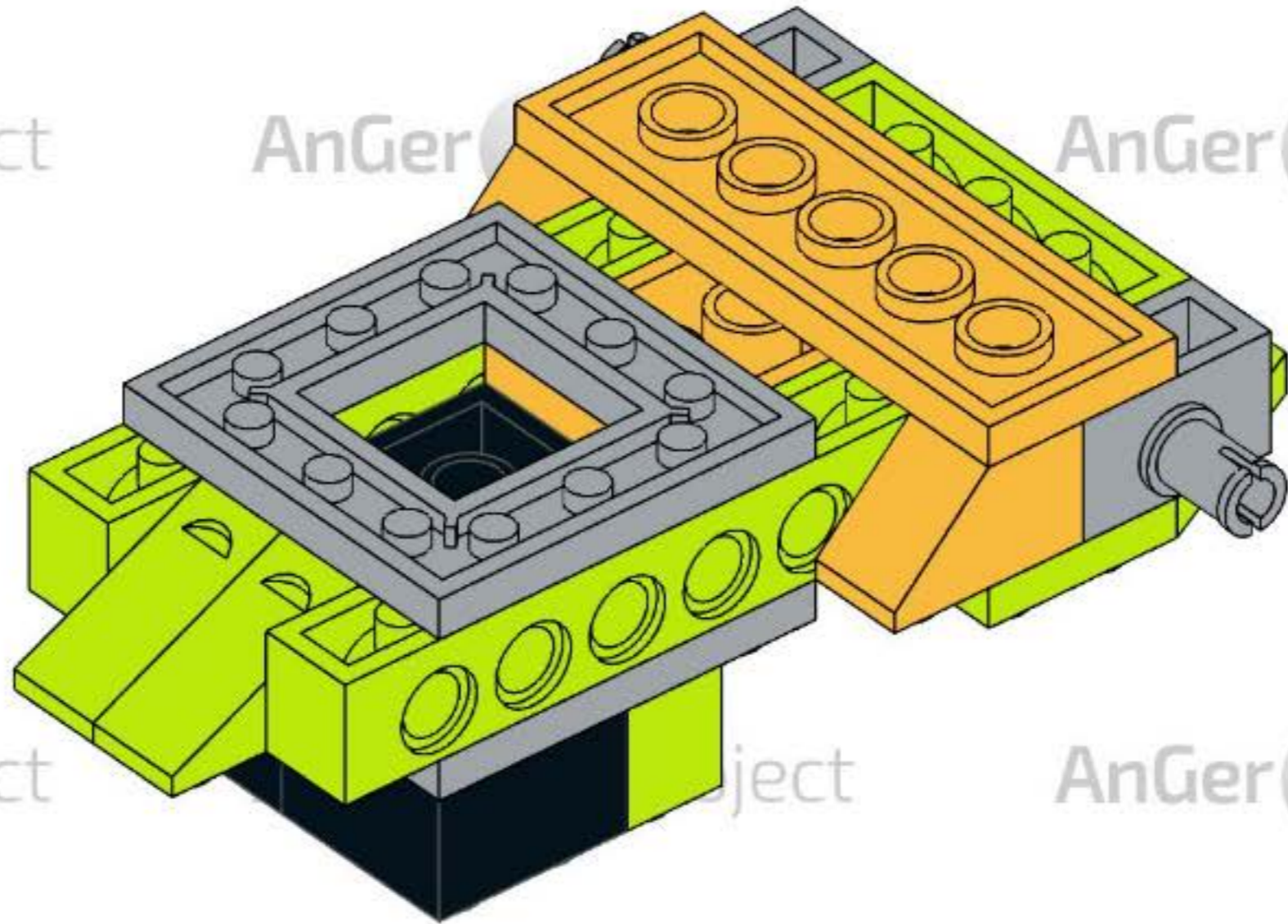
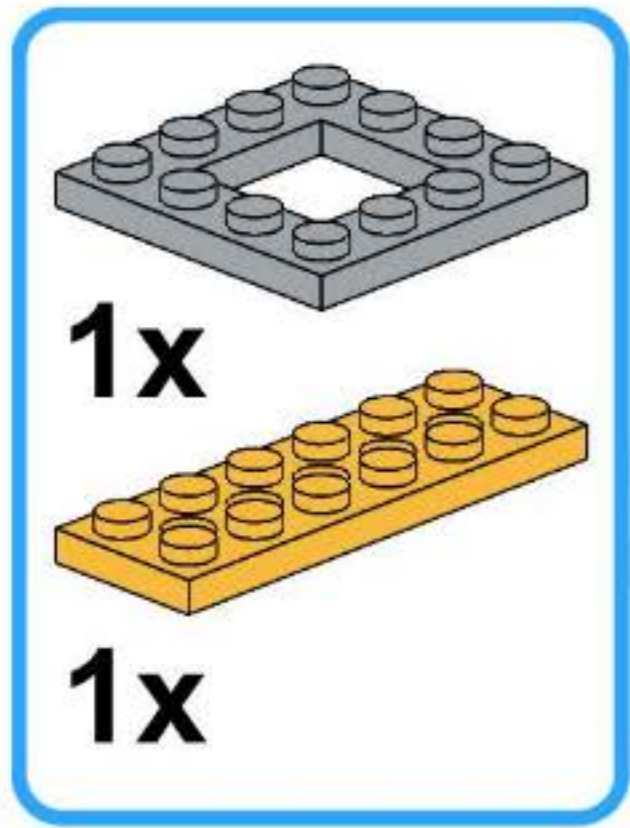
AnGer project



AnGer project

ject

AnGer project



AnGer project

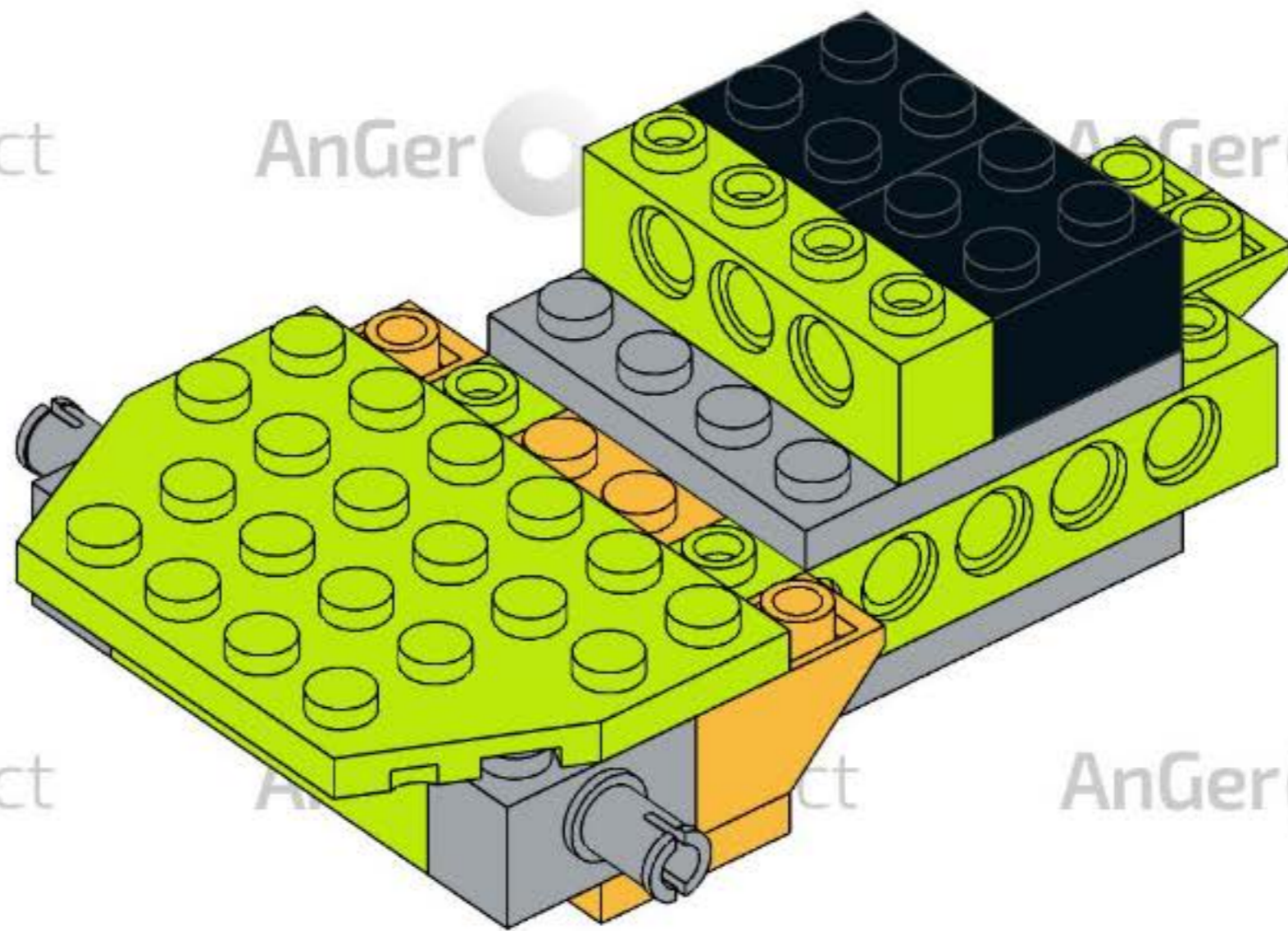
ject

AnGer project

AnGer project

AnGer project

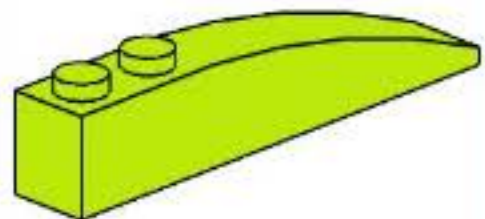
AnGer project



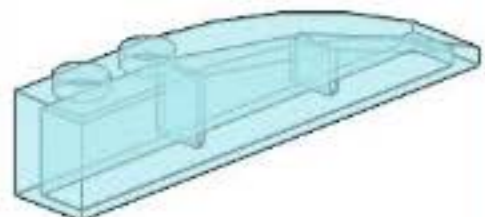
AnGer project

AnGer project

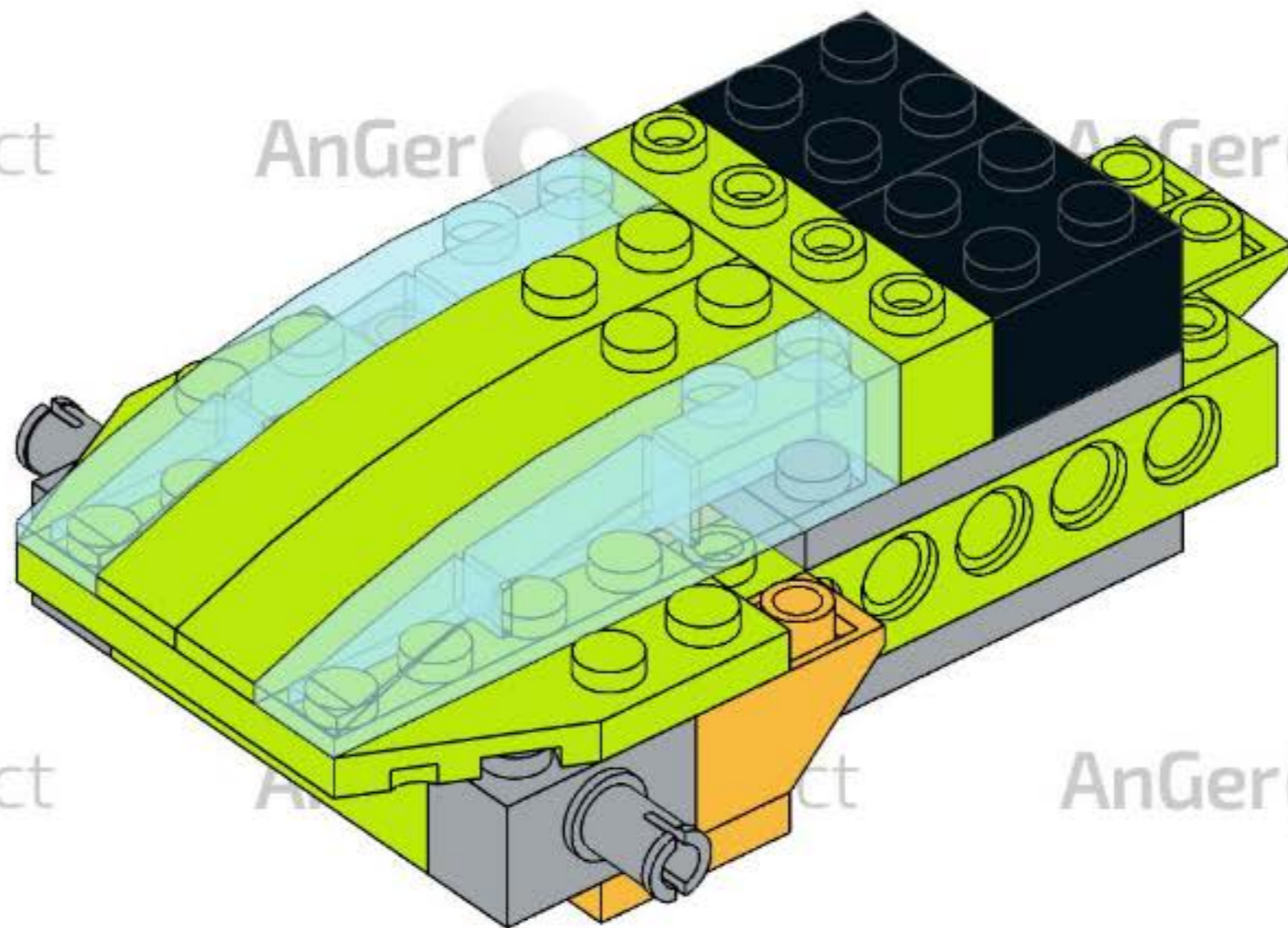
AnGer project

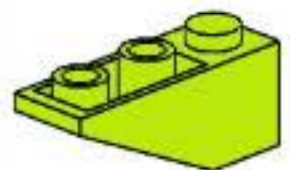


2x

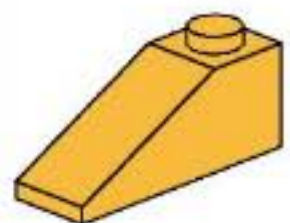


2x

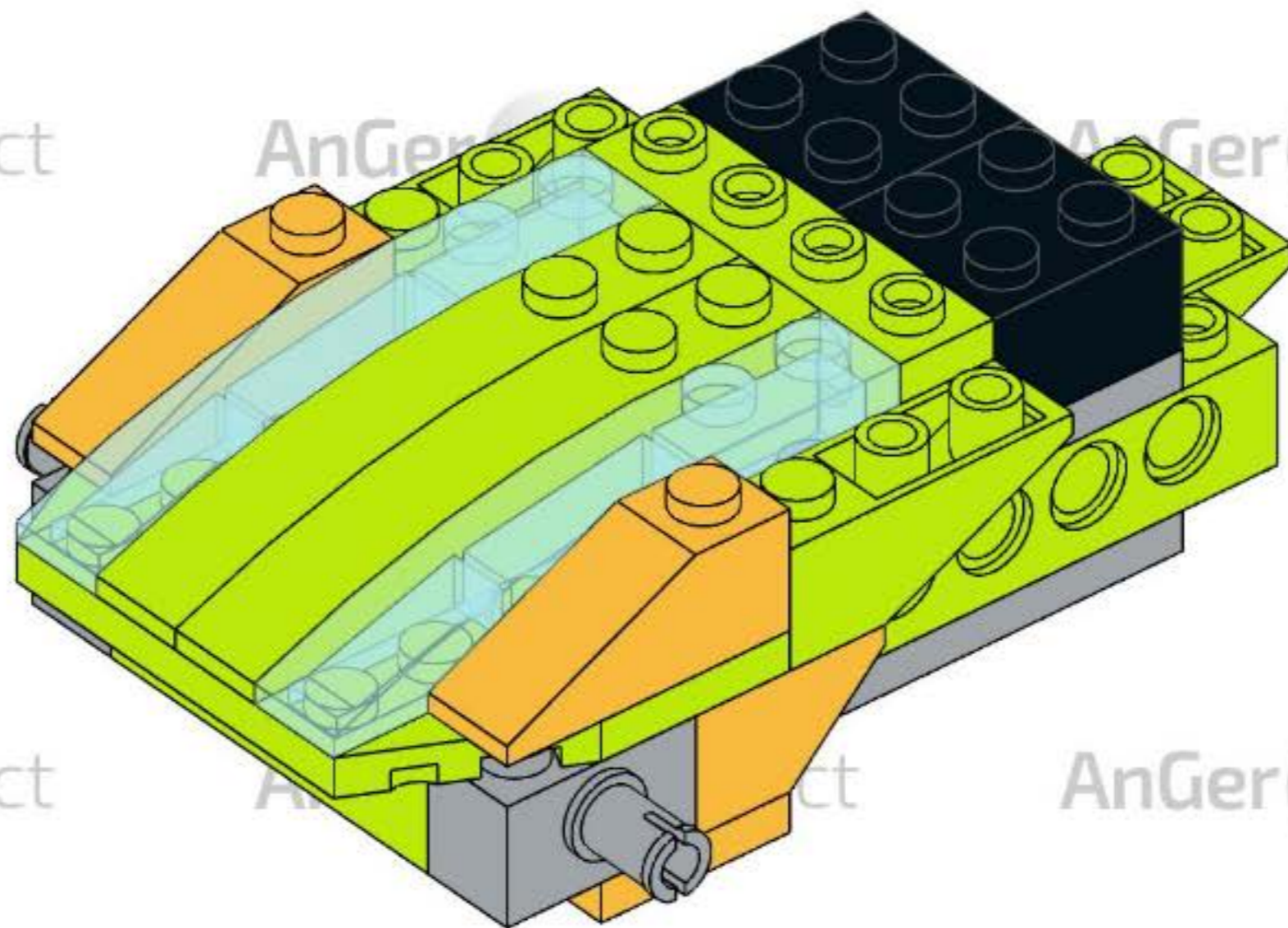


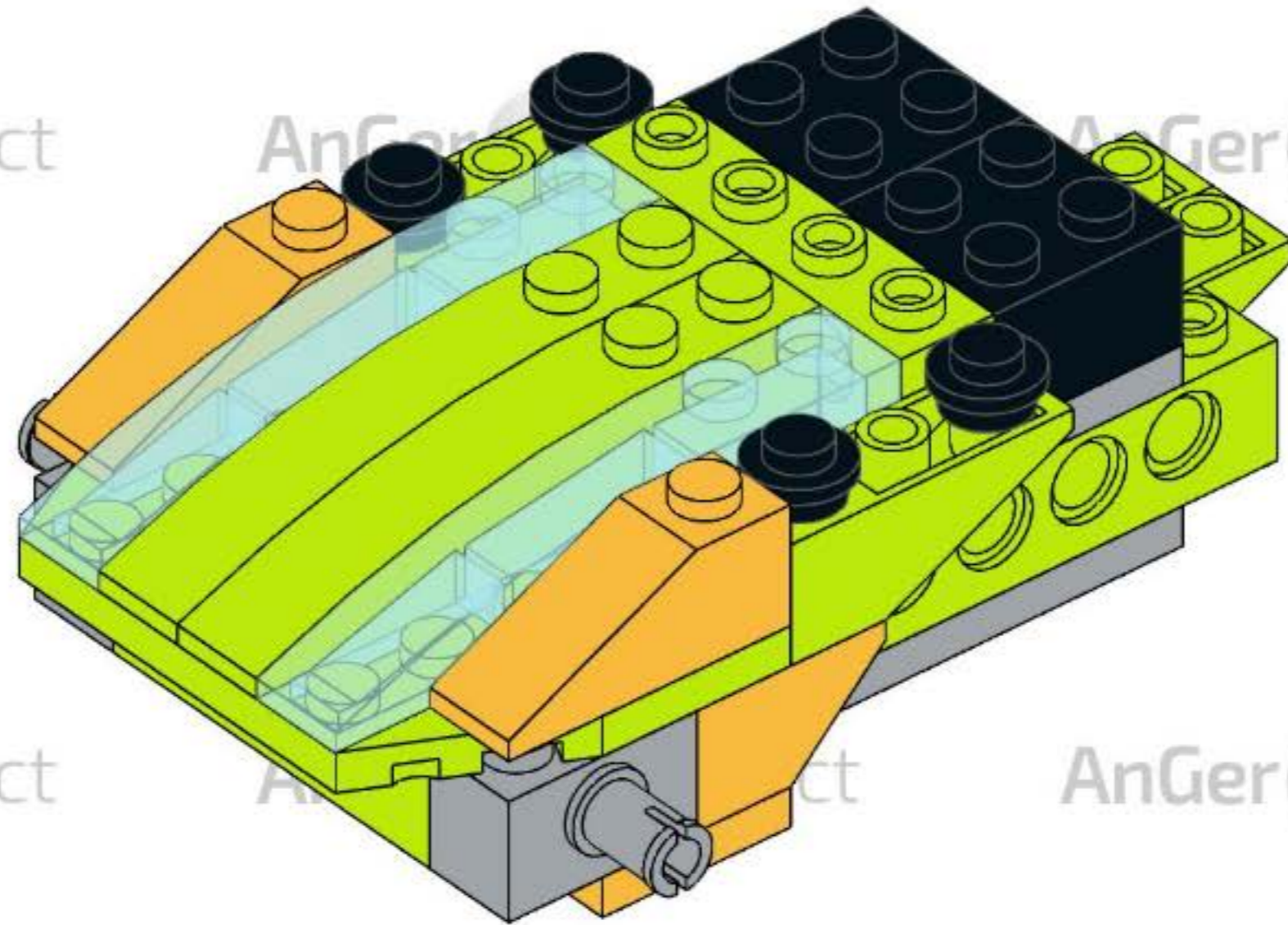


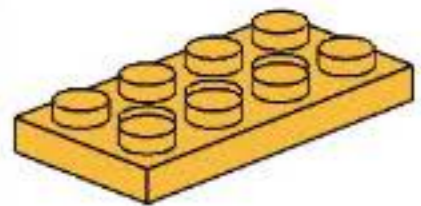
2x



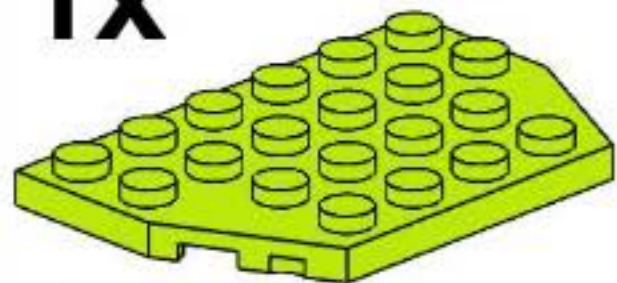
2x



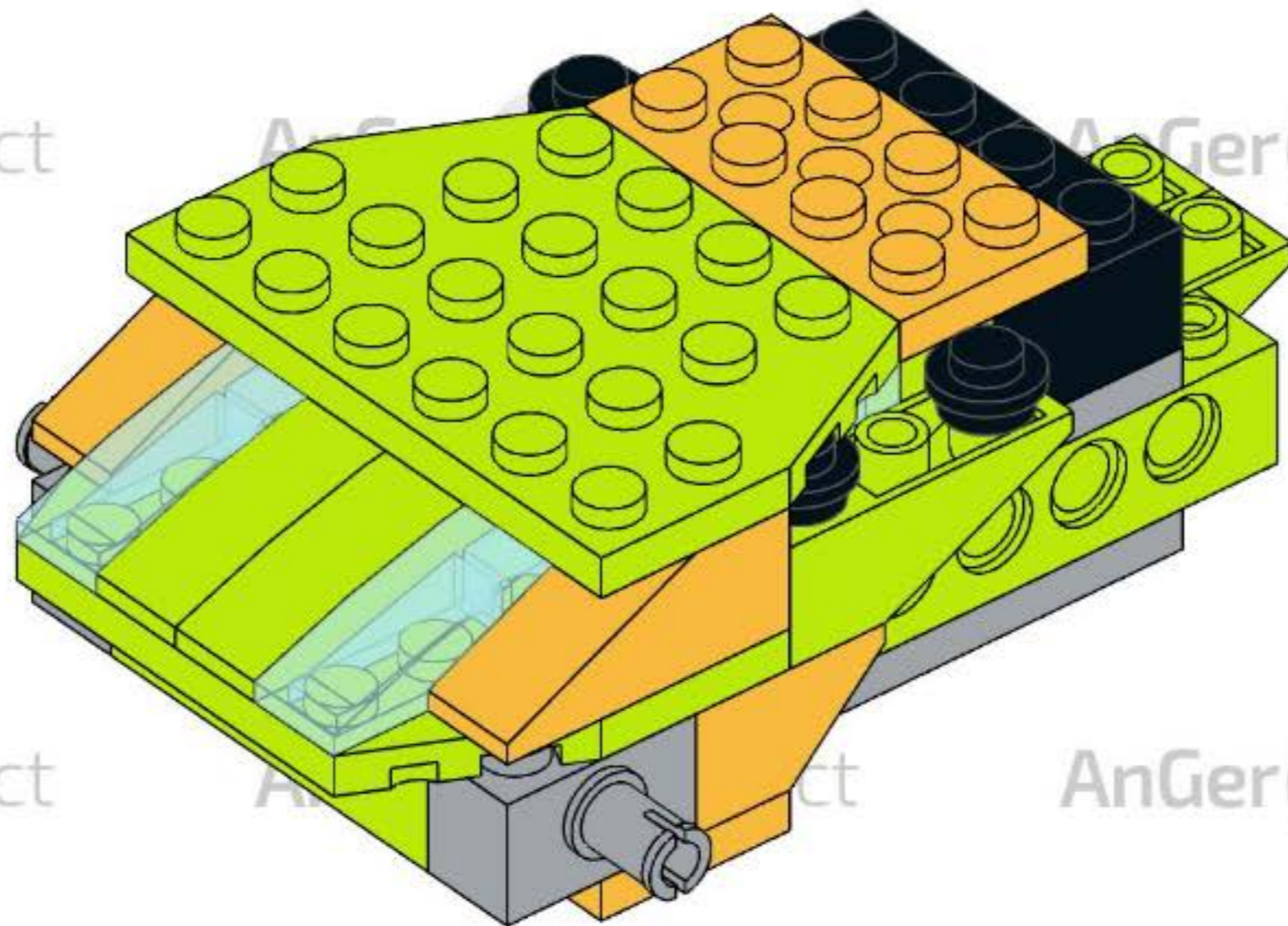




1x



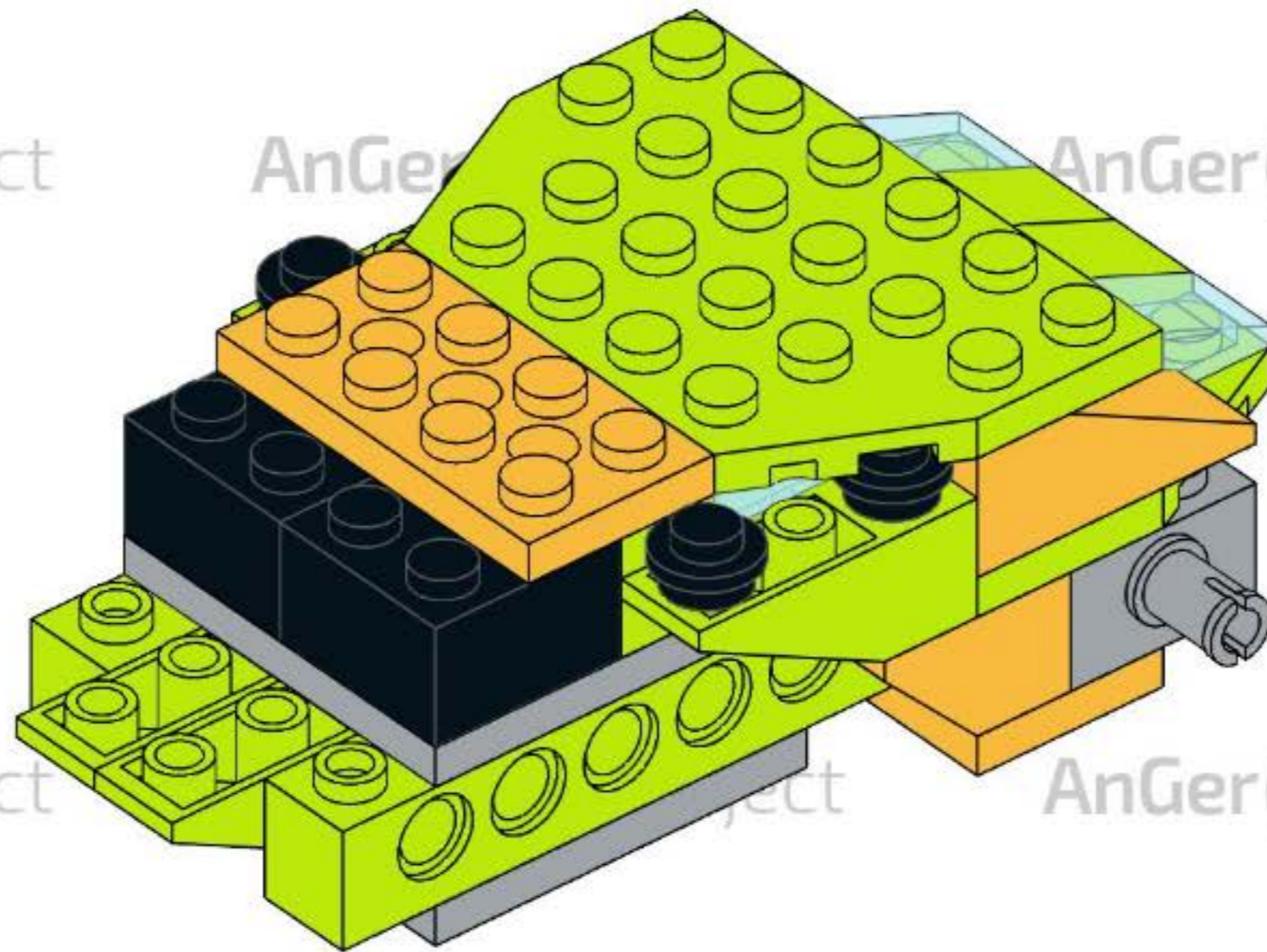
1x



AnGer project

AnGer

AnGer project



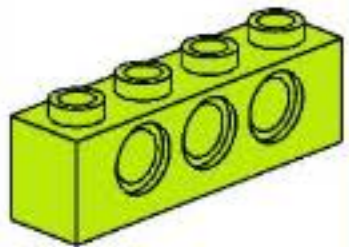
AnGer project

ject

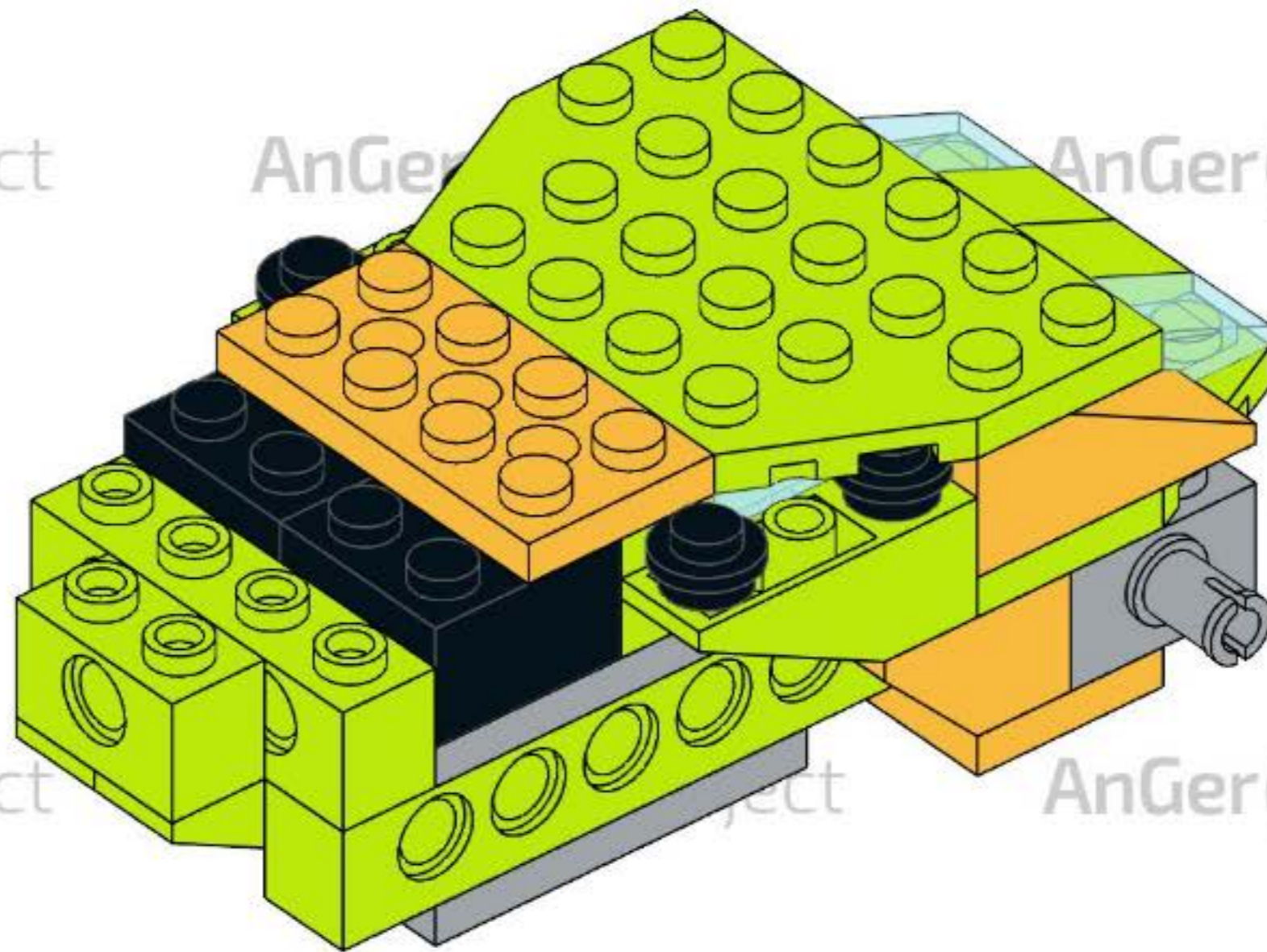
AnGer project

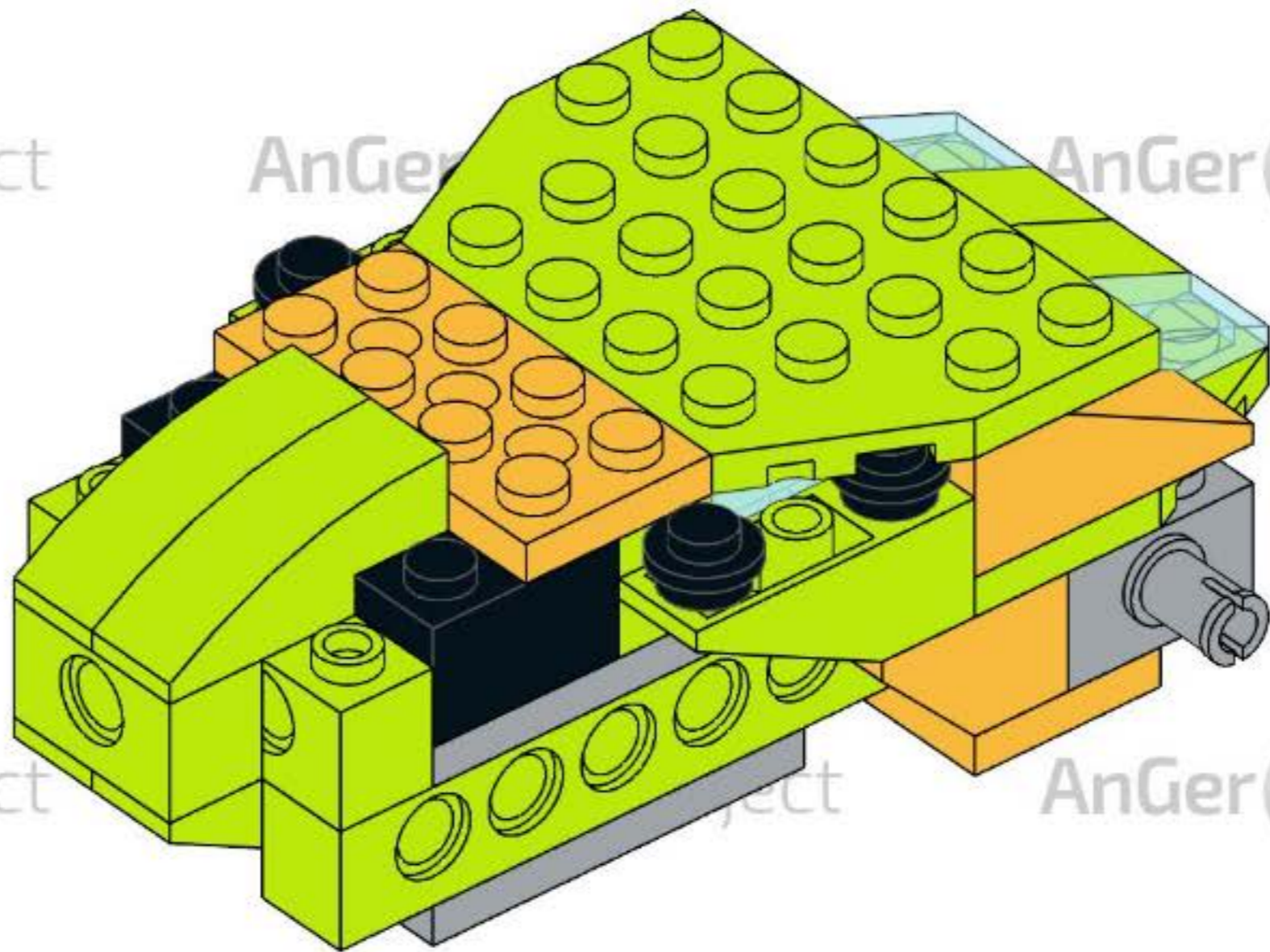
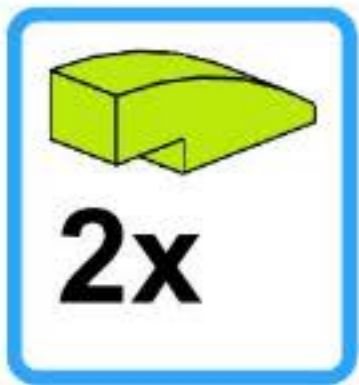


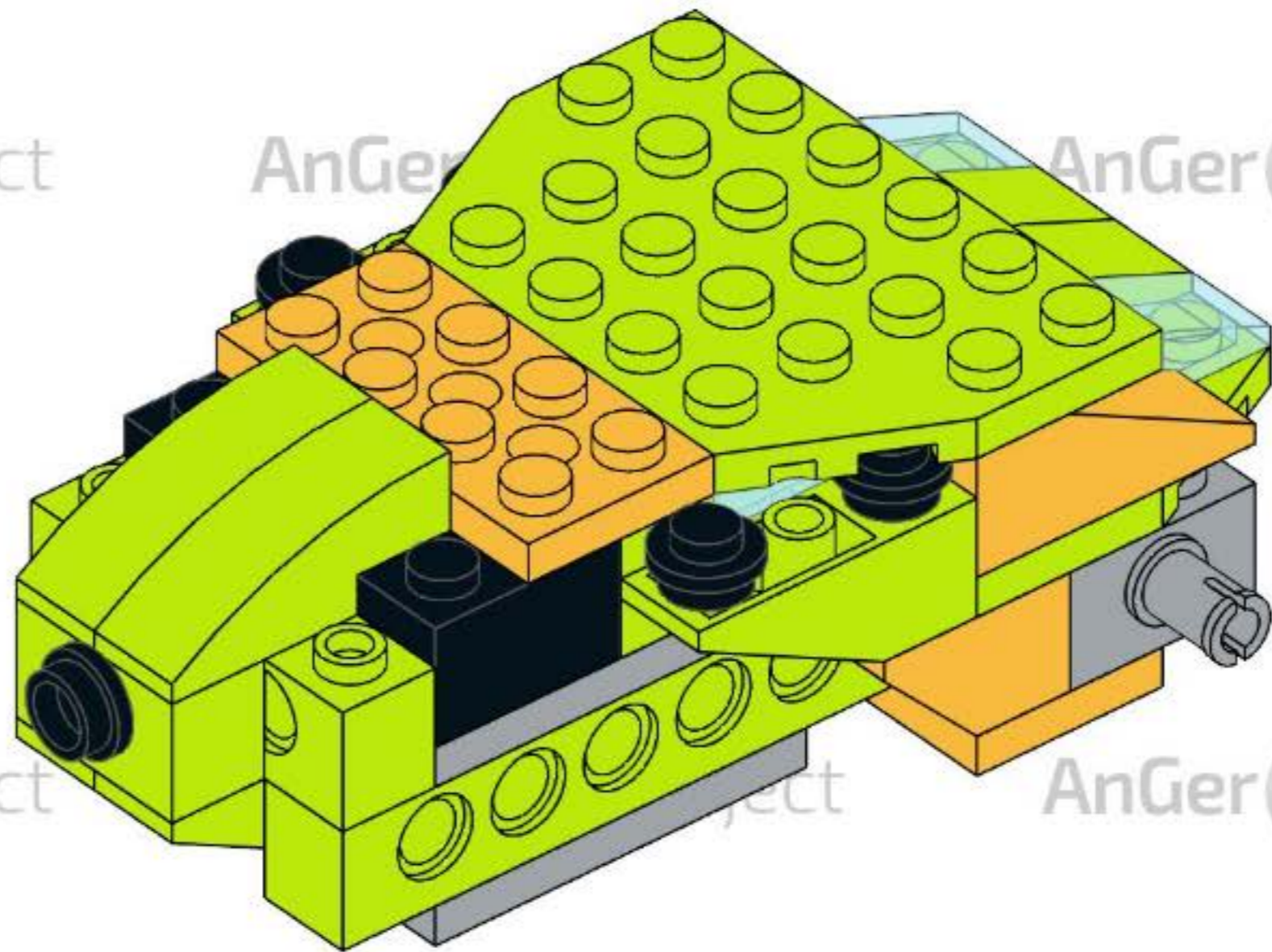
1x

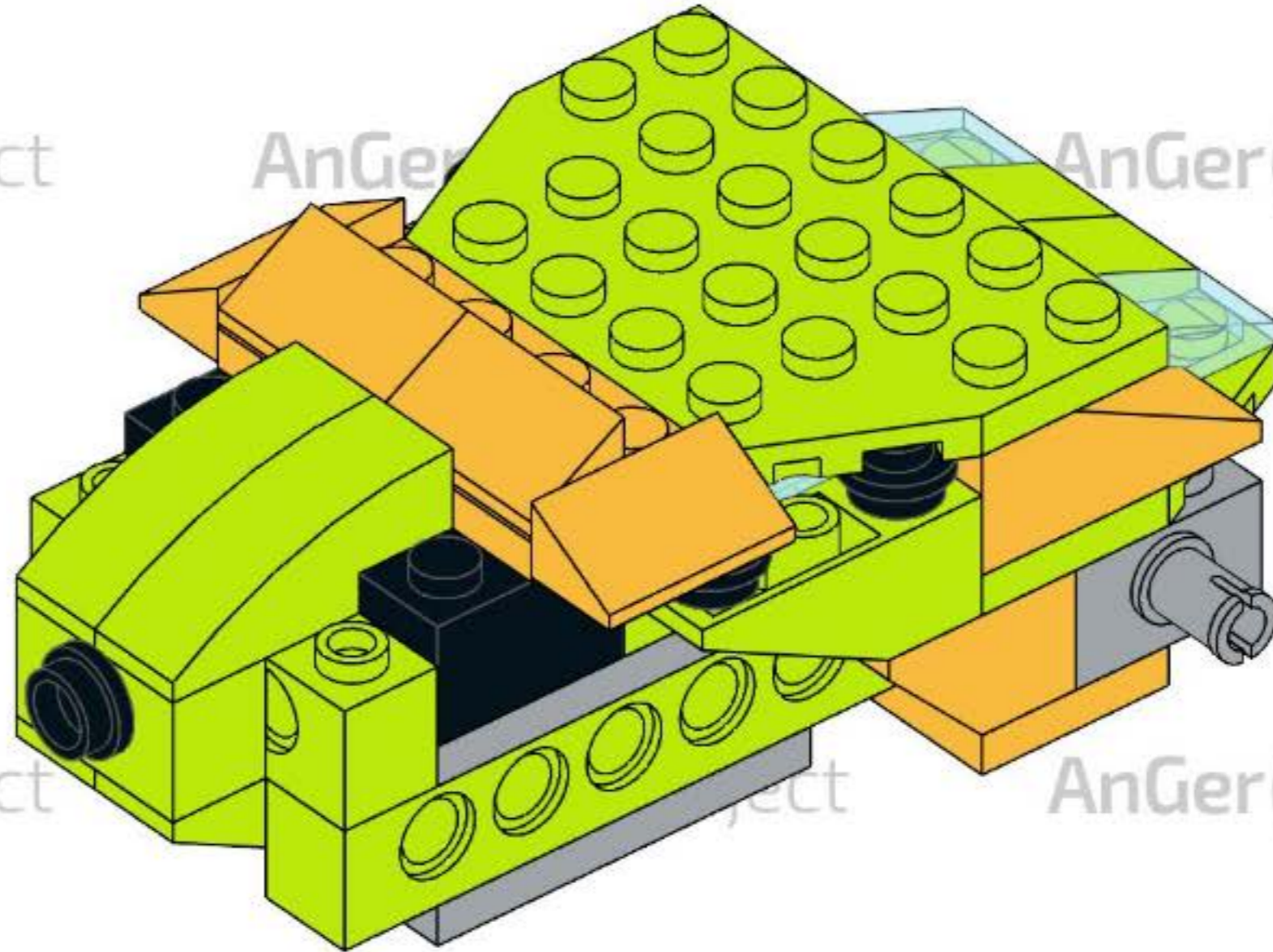
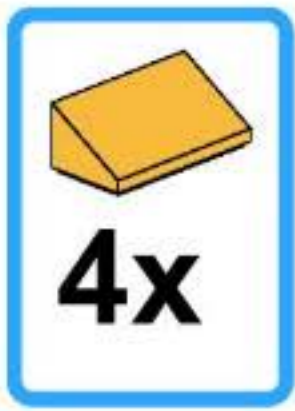


1x





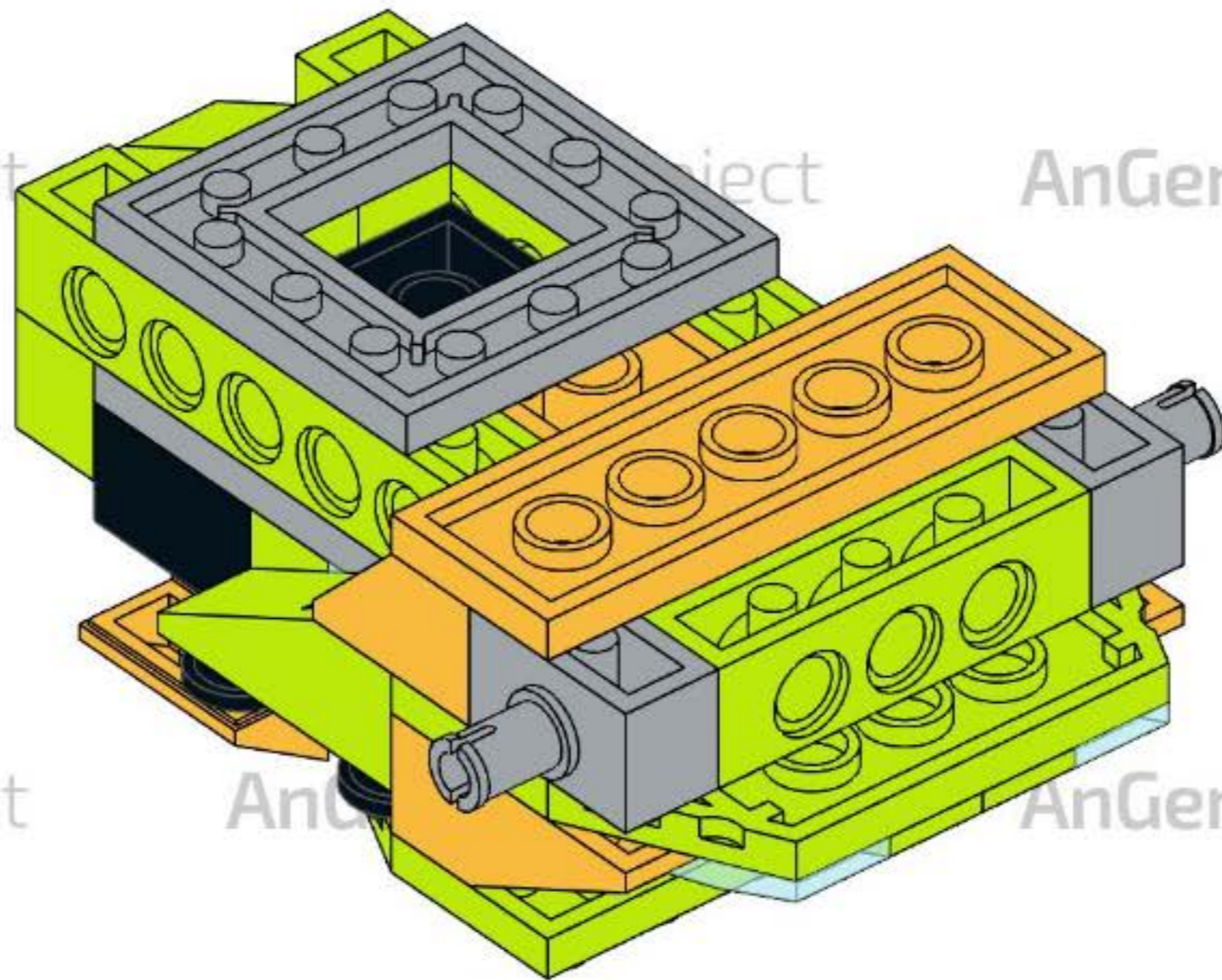




AnGer project

ject

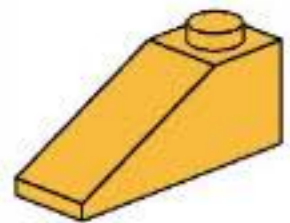
AnGer project



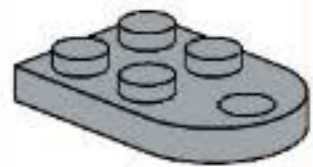
AnGer project

AnG

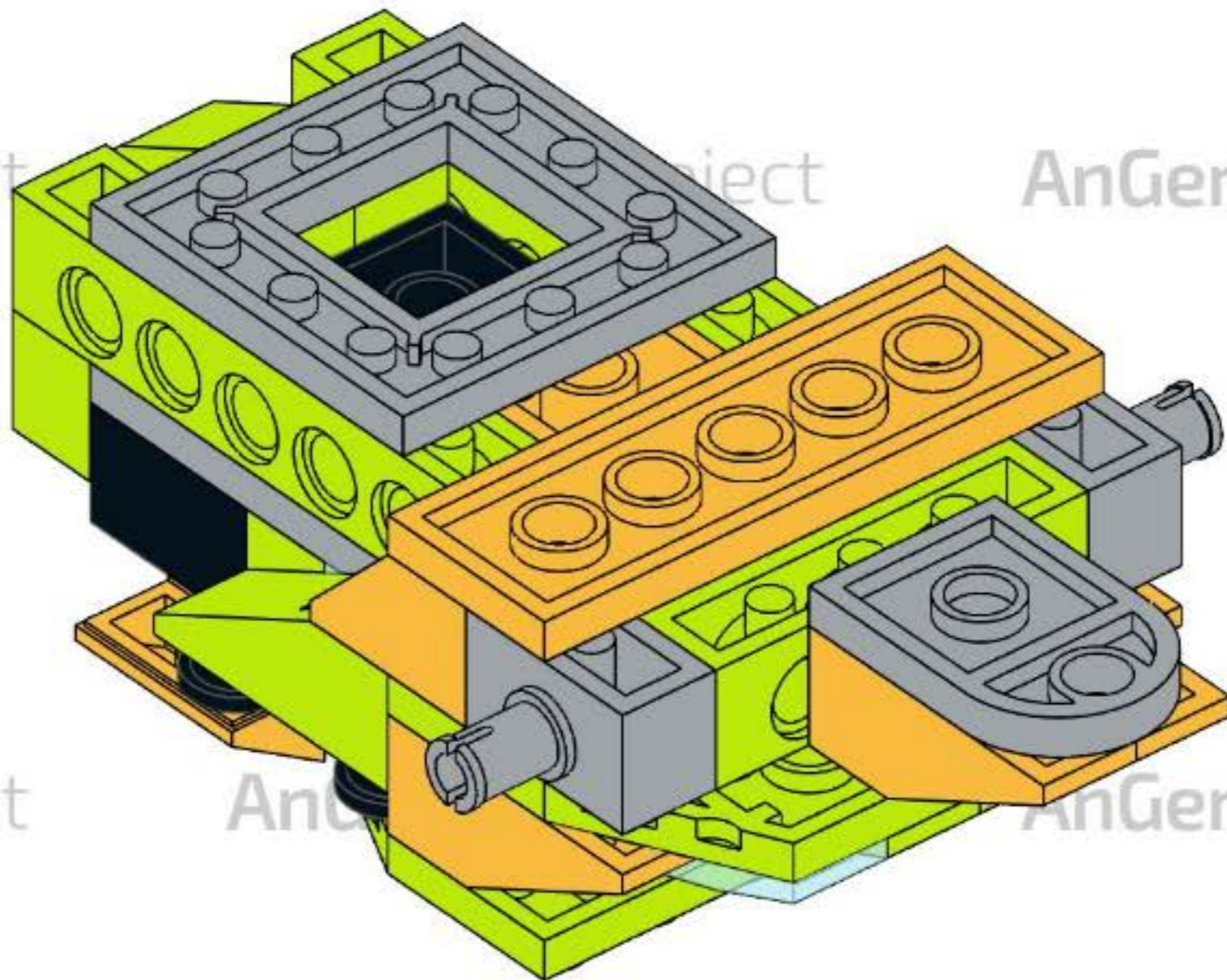
AnGer project

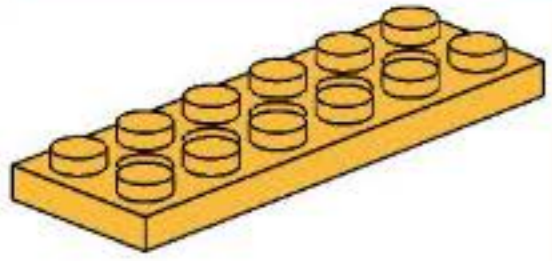


2x

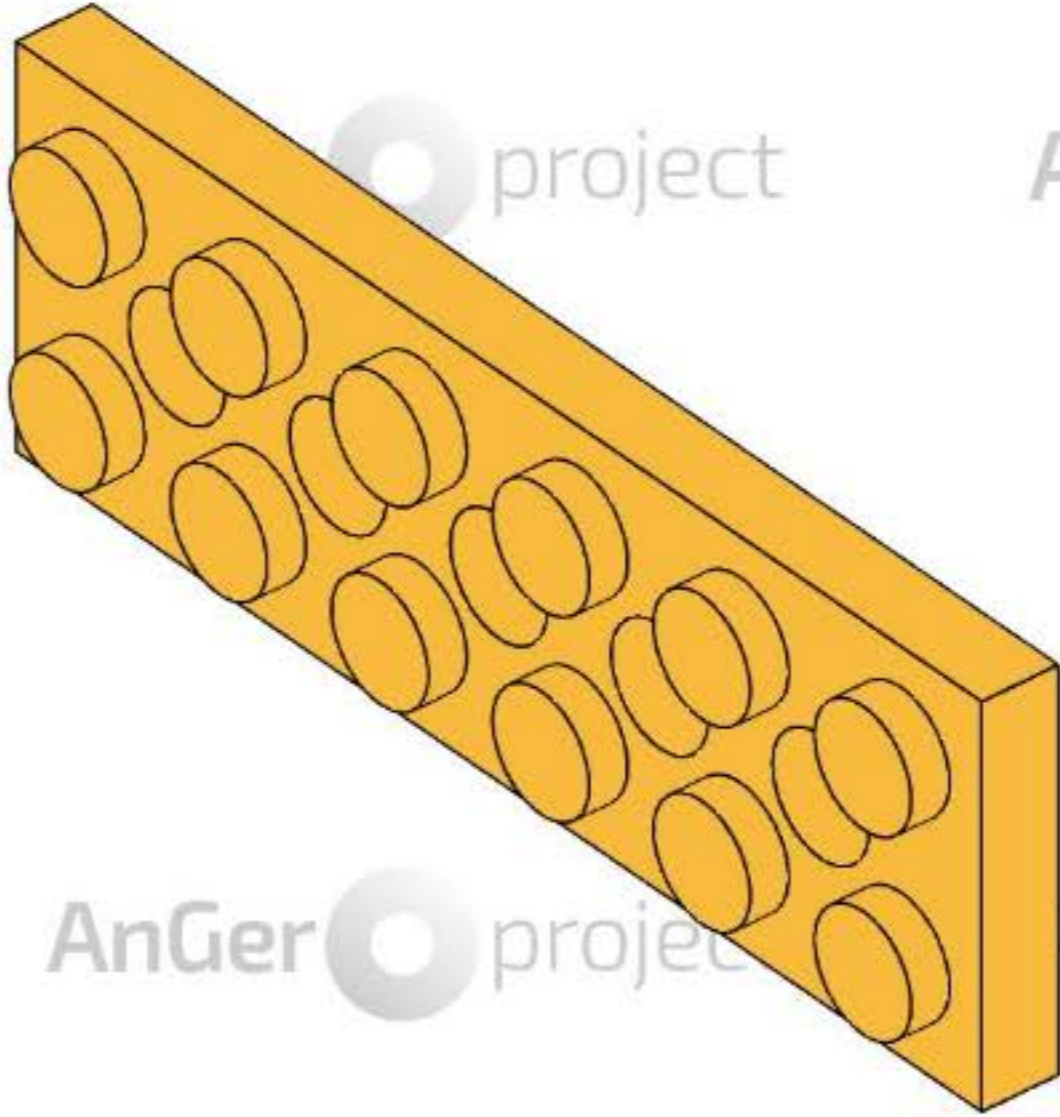


1x



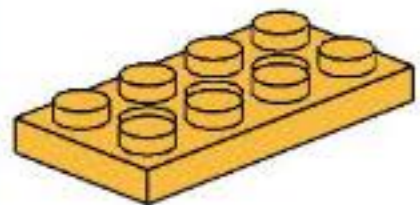


1x

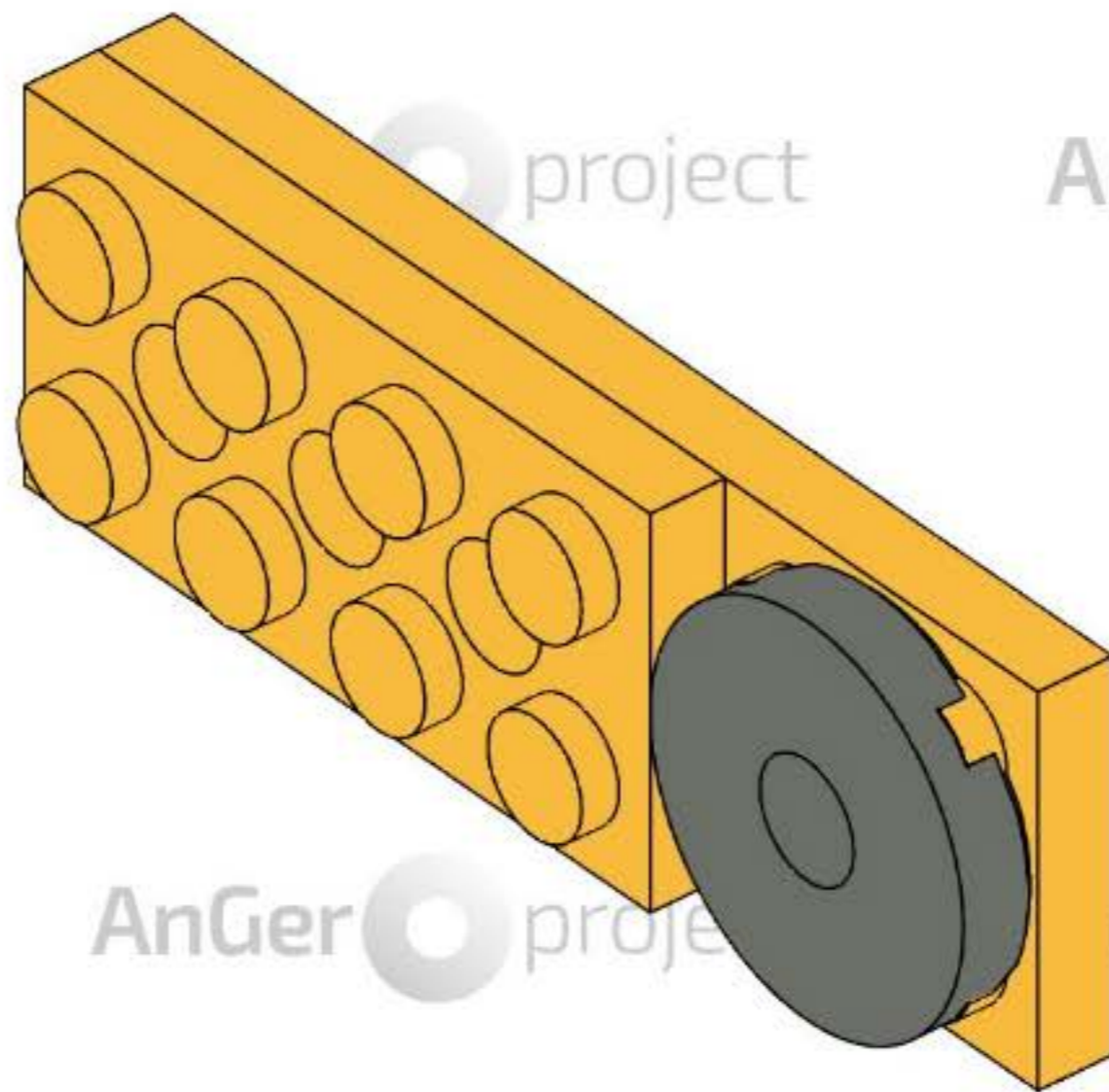




1x

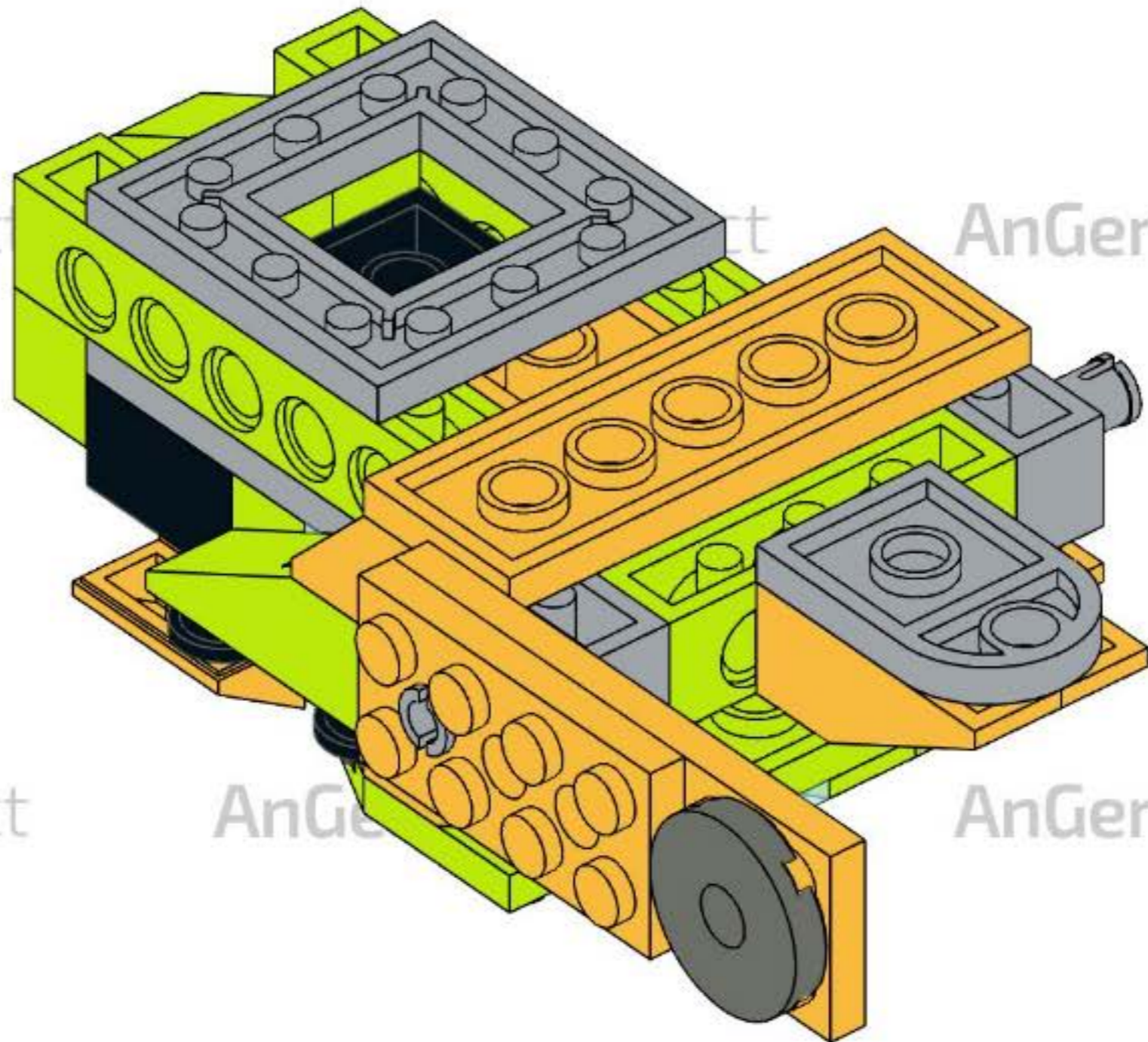


1x



x2

AnGer project

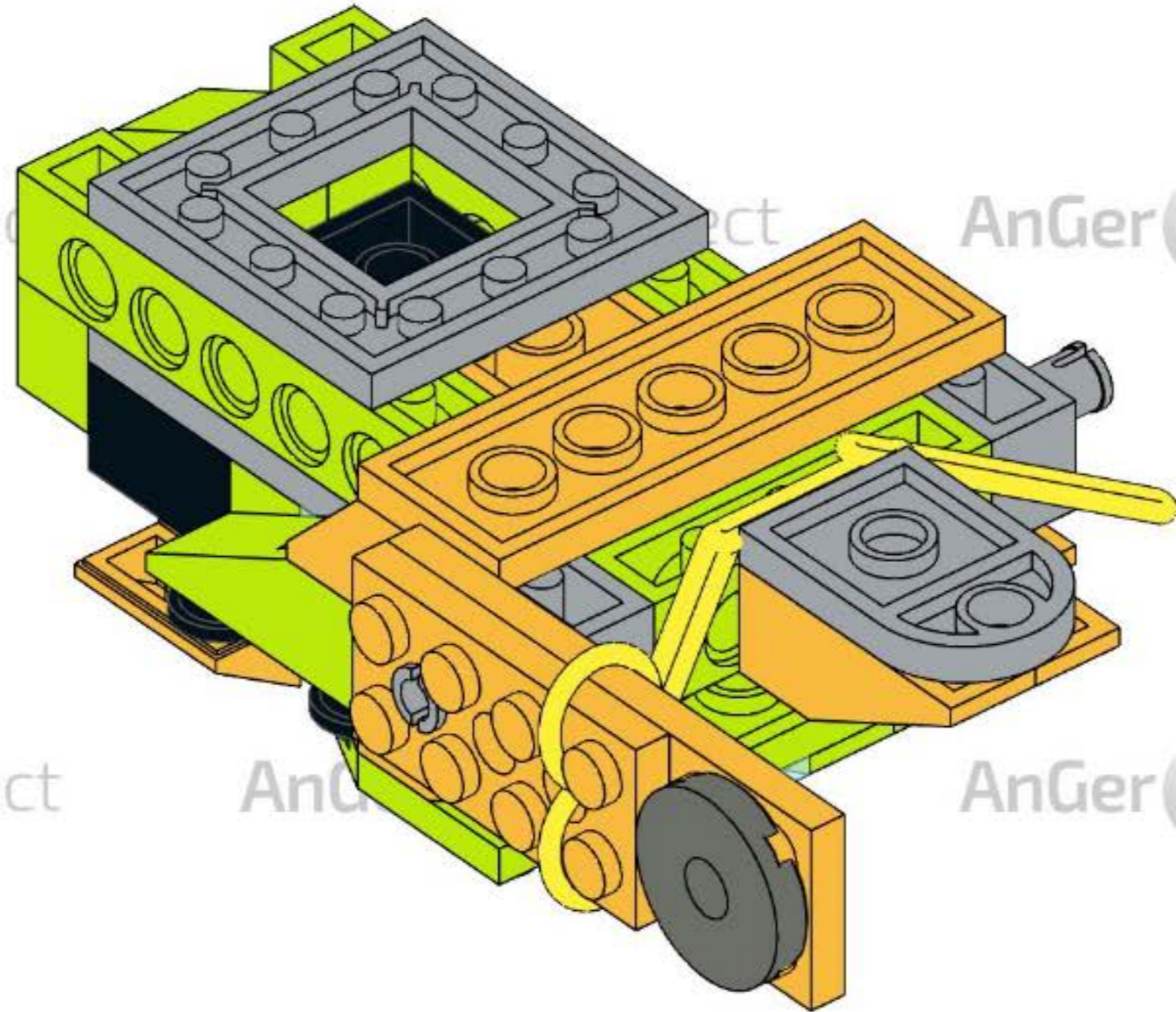


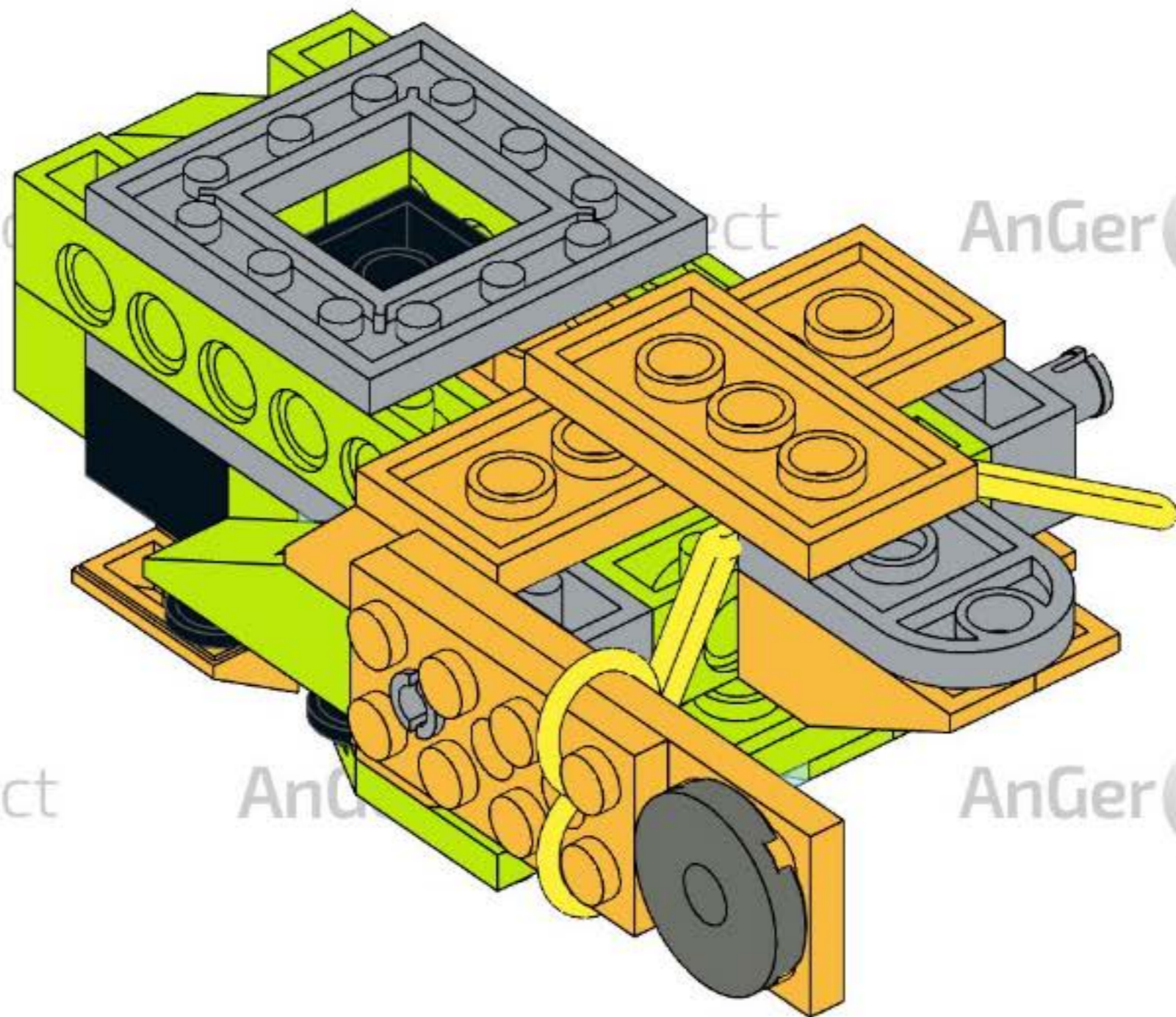
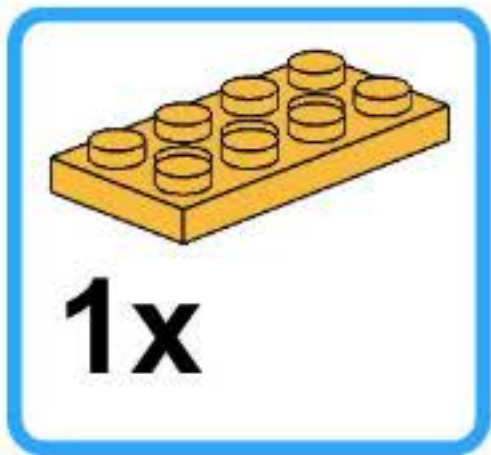
AnGer project

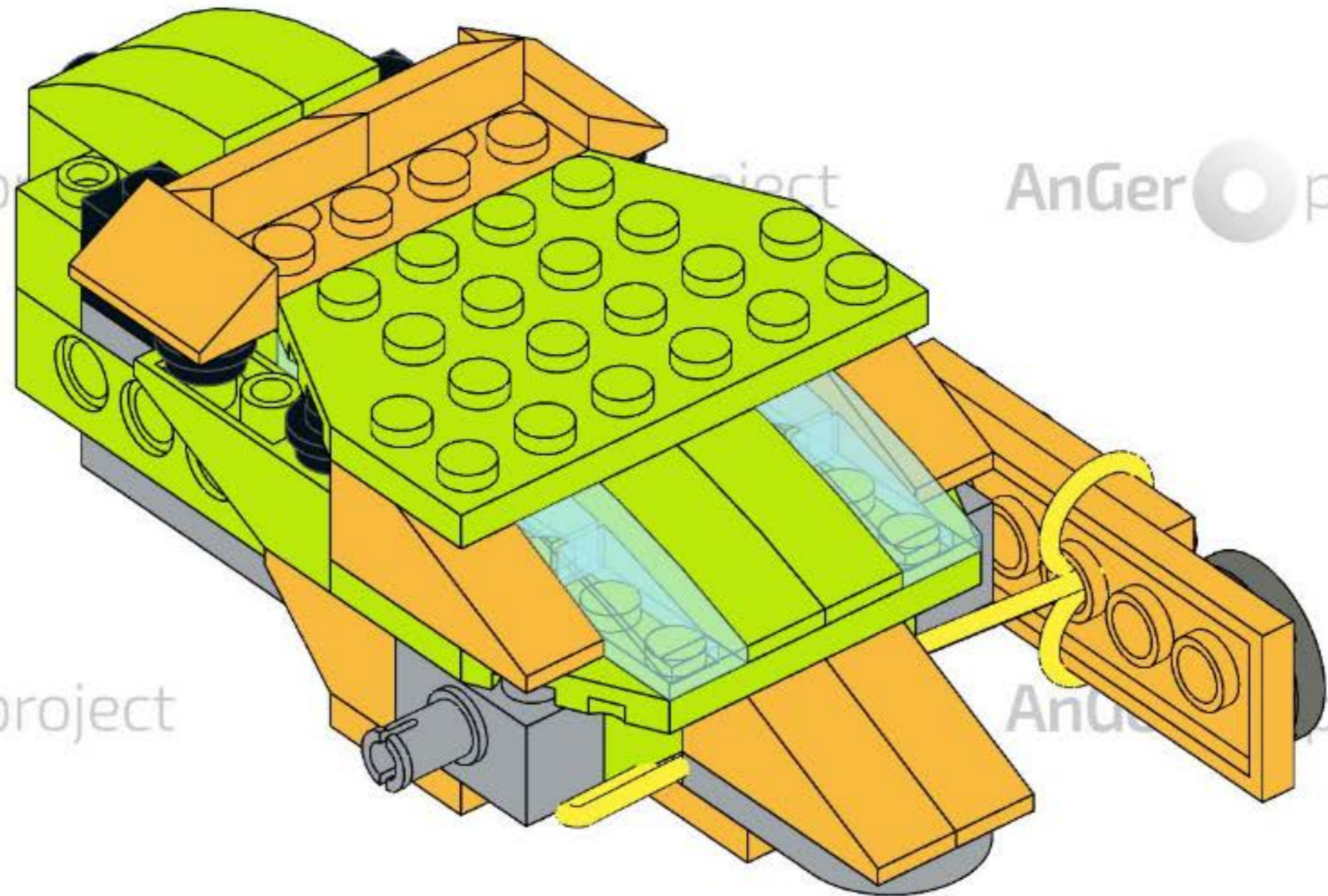
AnGer project

AnGer

AnGer project







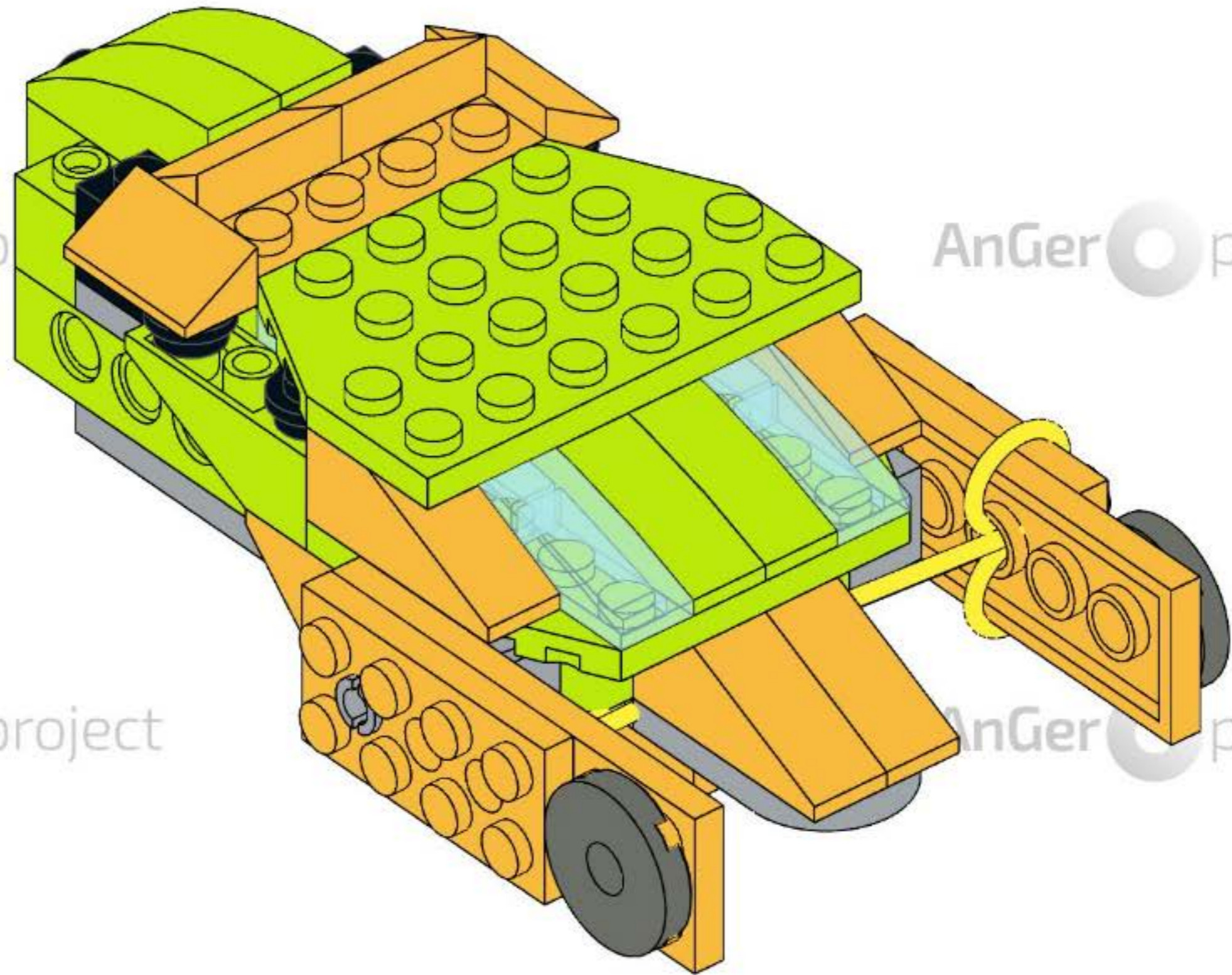
AnGer project

project

AnGer project

AnGer project

AnGer project

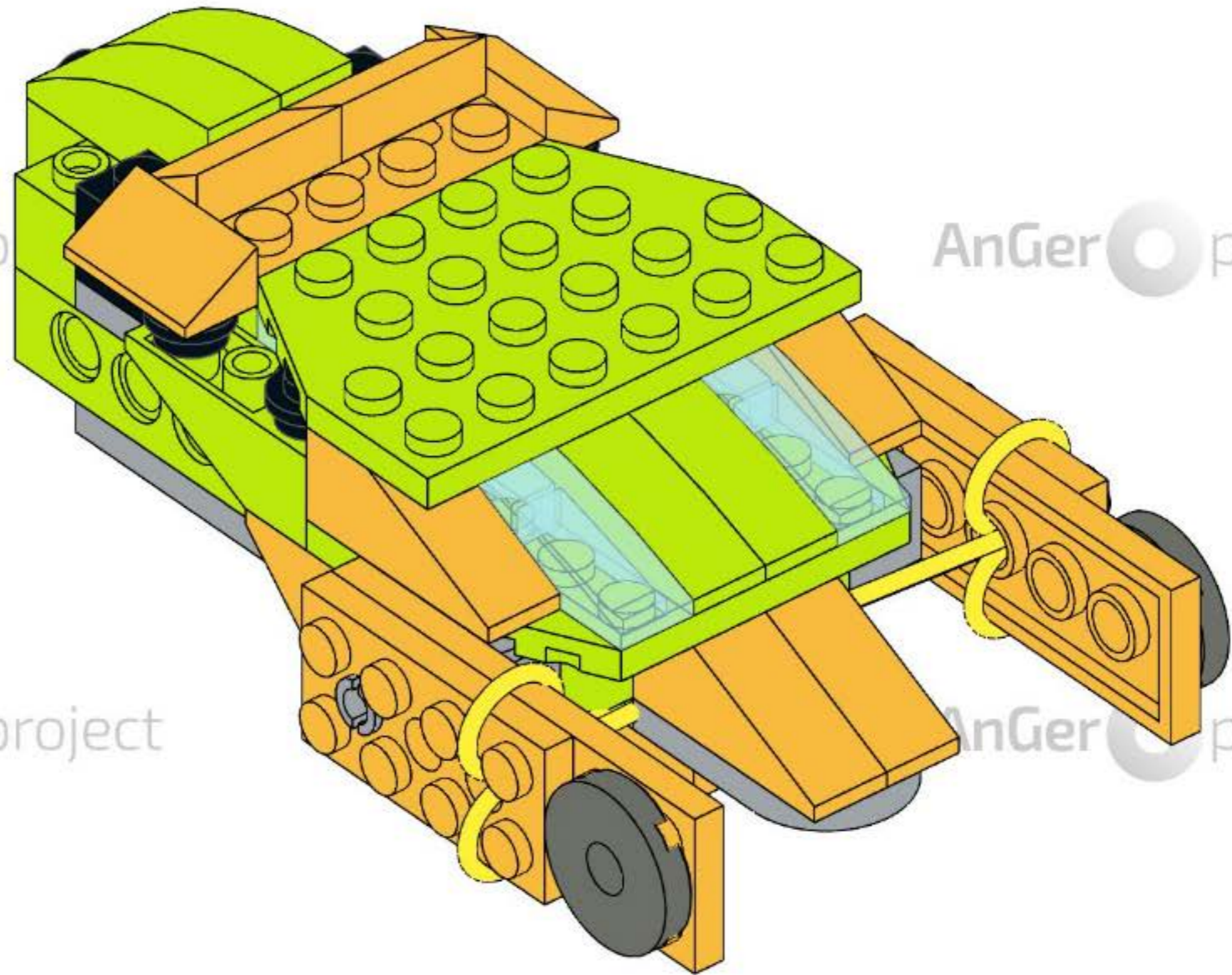


AnGer project

AnGer project

AnGer project

AnGer project

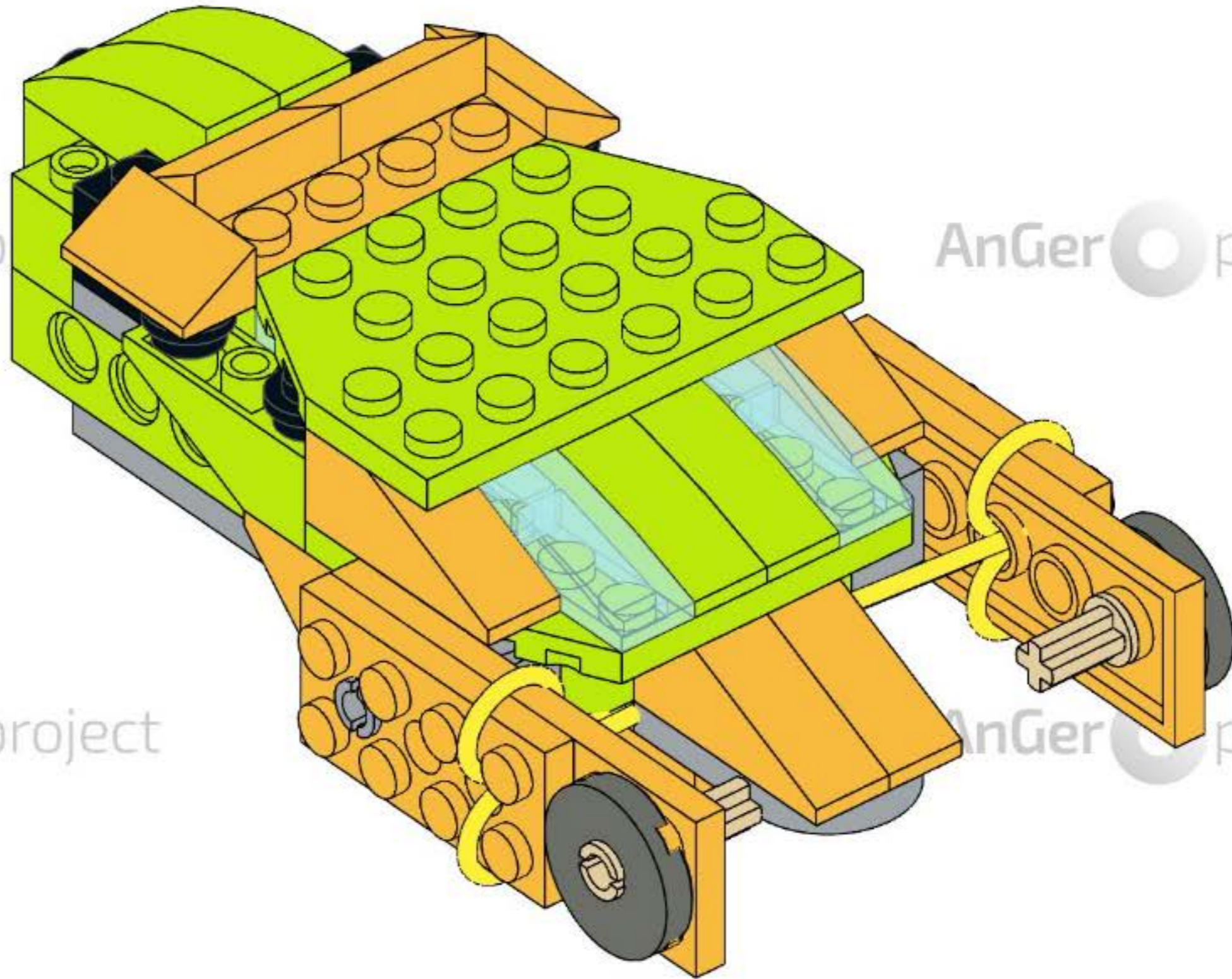
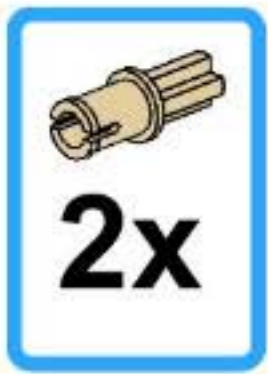


AnGer project

AnGer project

AnGer project

AnGer project

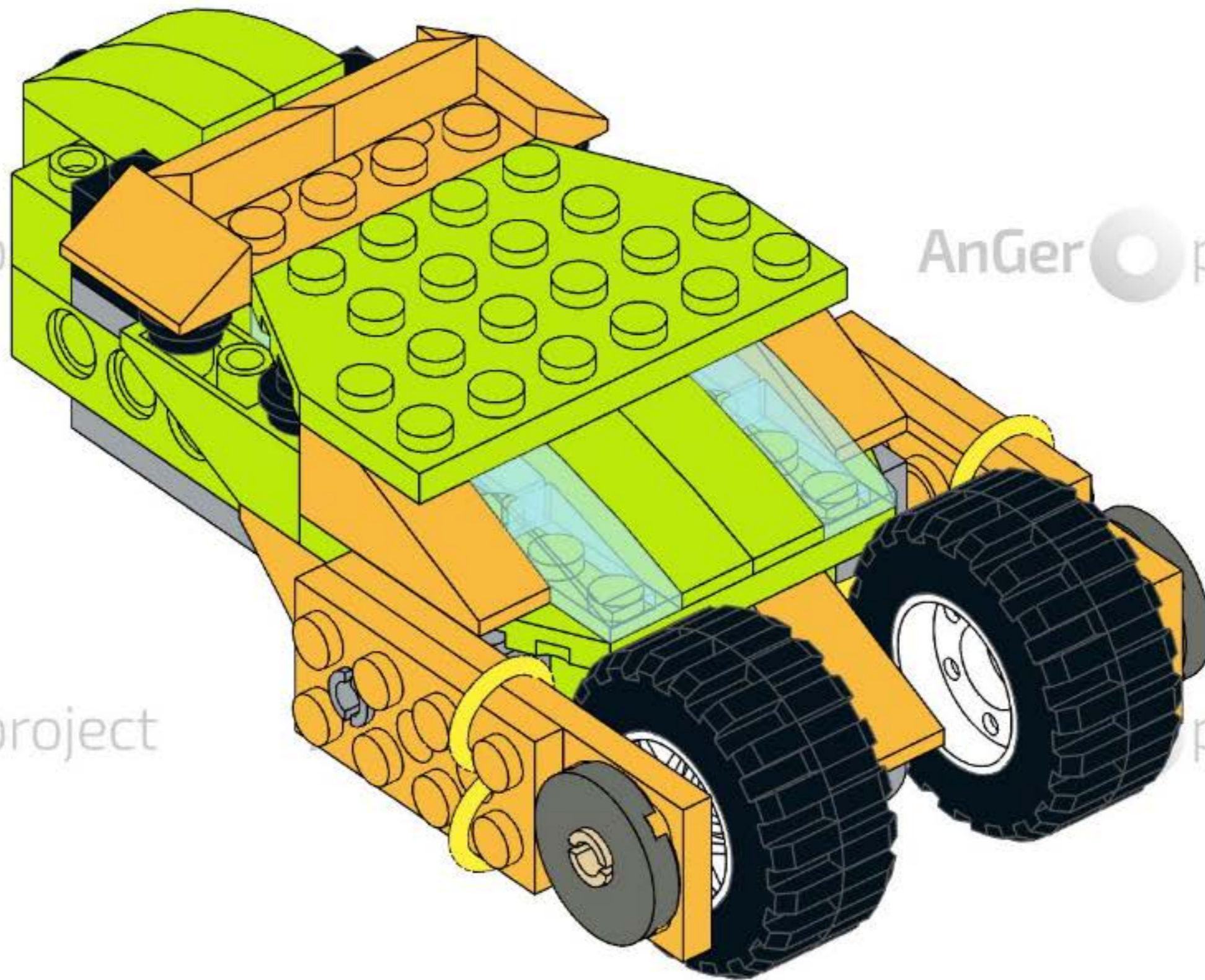




2x



2x



AnGer project

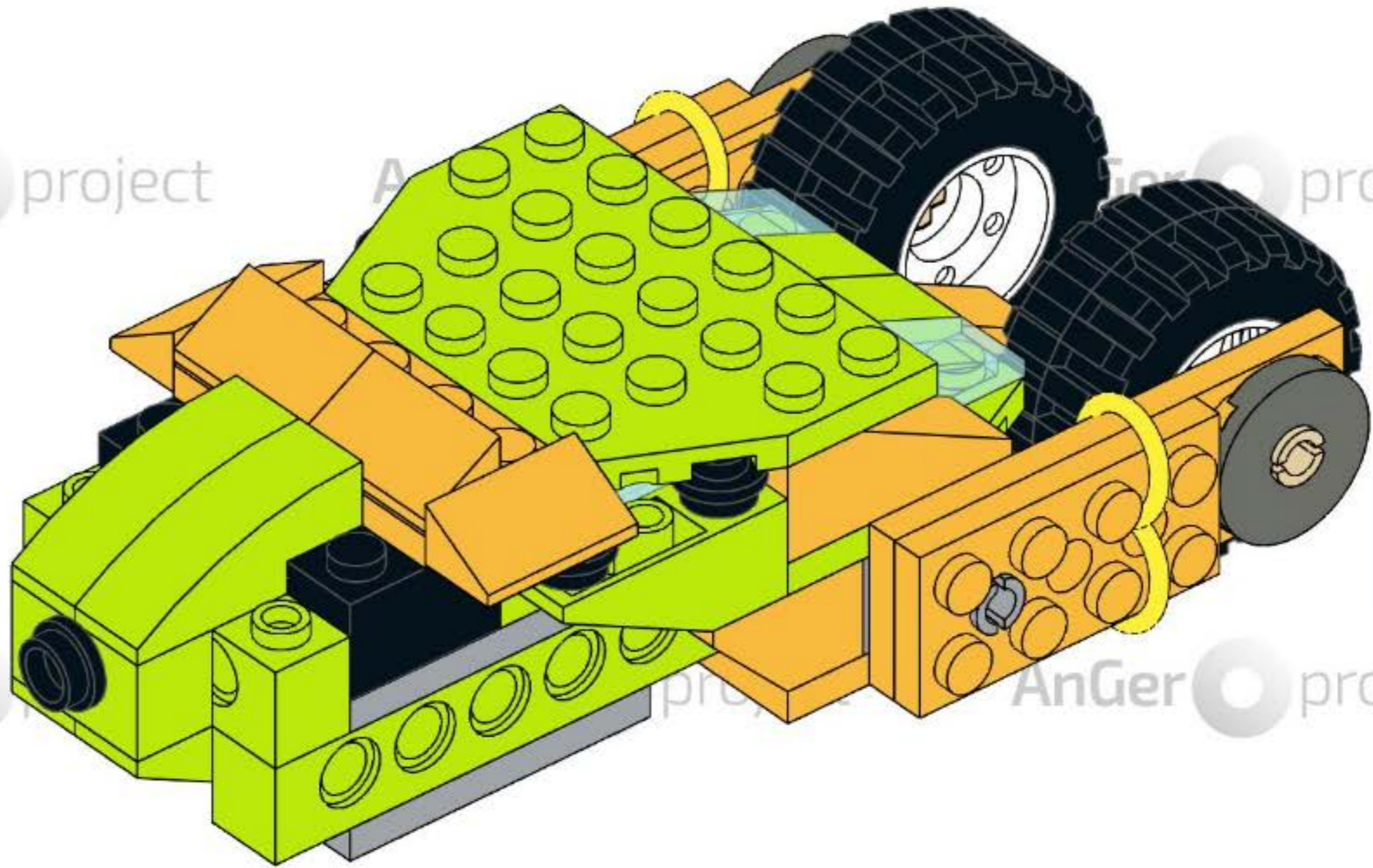
AnGer project

project

AnGer project

A

AnGer project



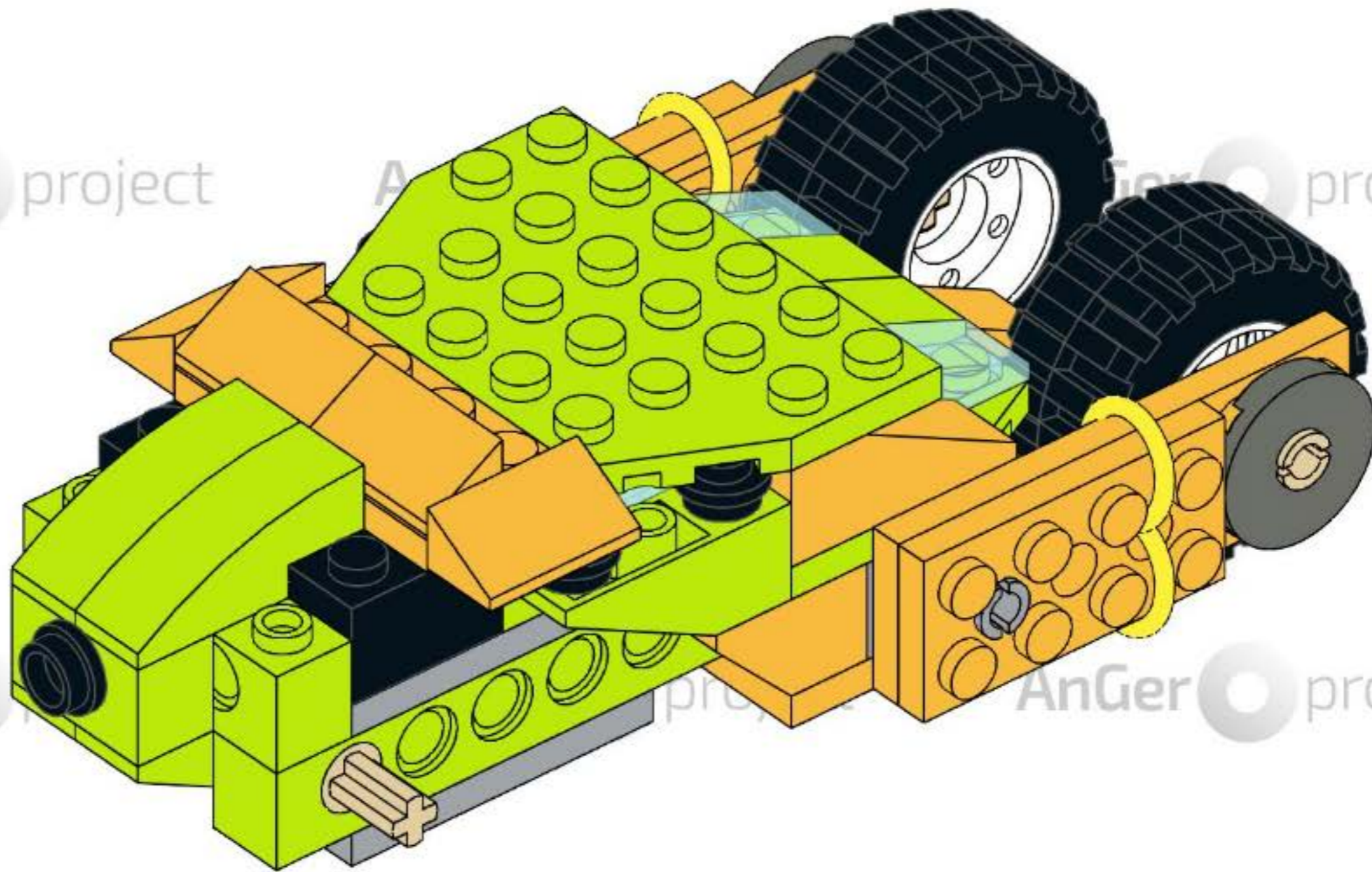
AnGer project

proy

AnGer project



2x

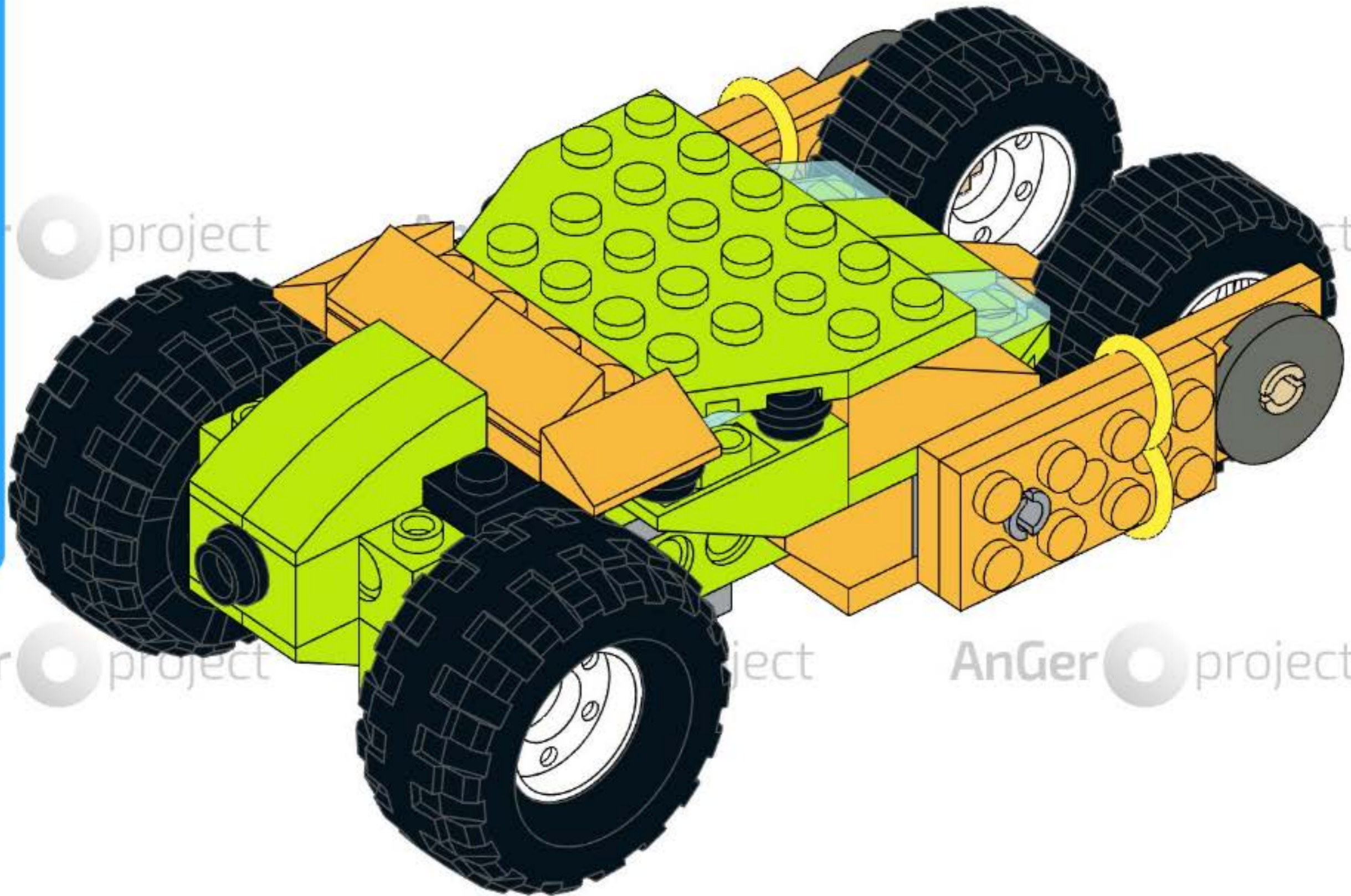




2x



2x

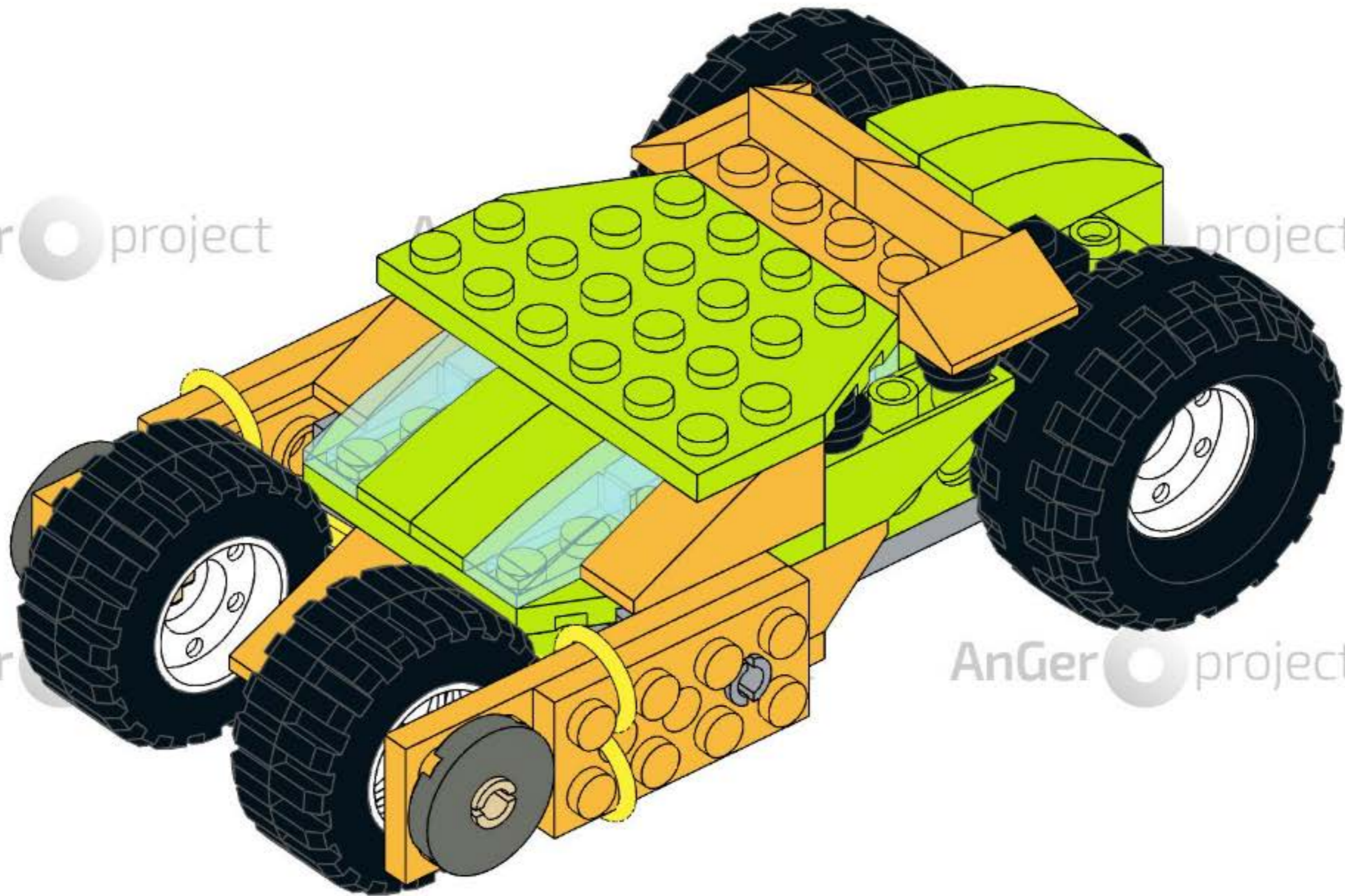


AnGer project

ject

AnGer project

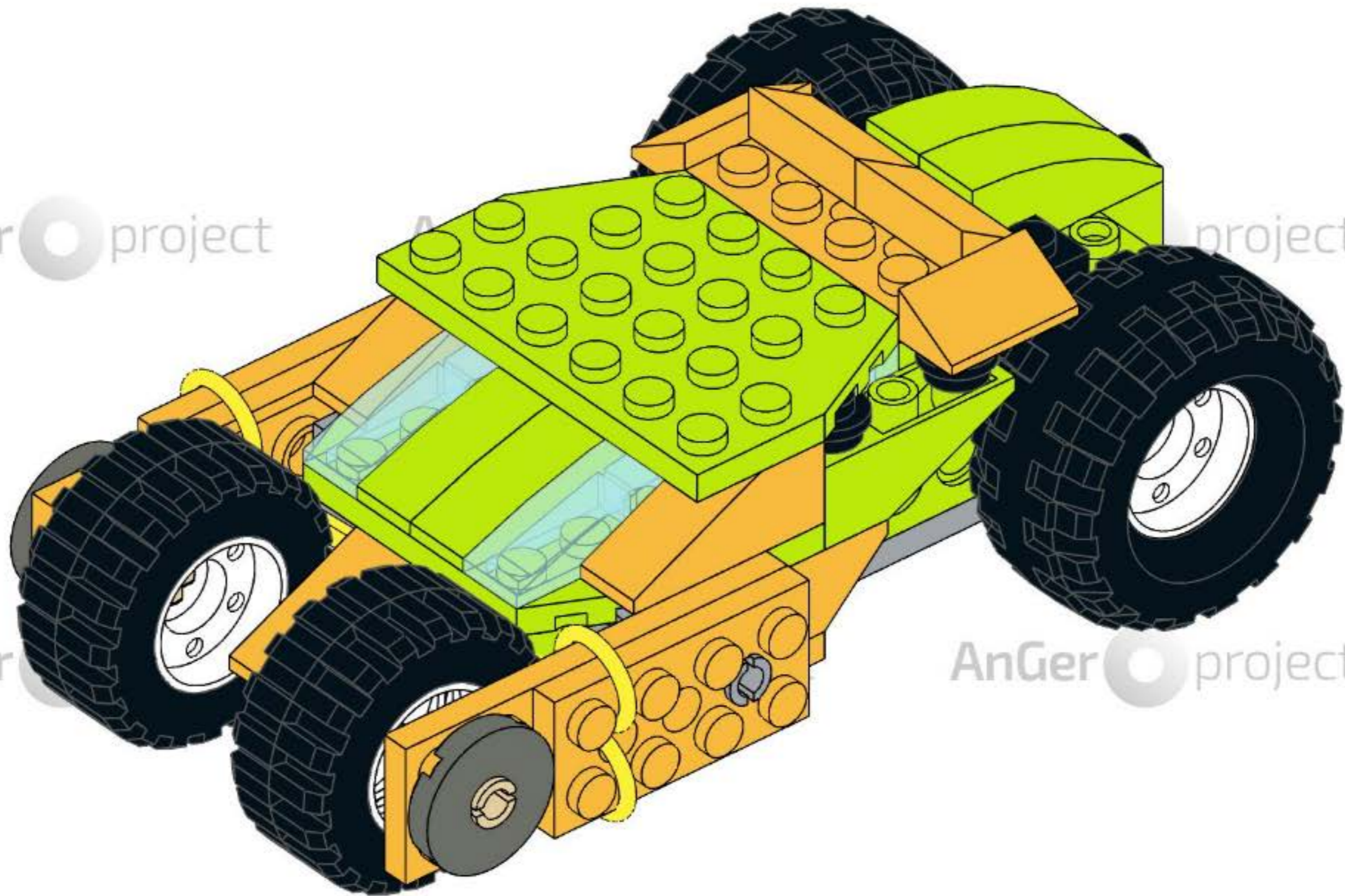
AnGer project



AnGer

AnGer project

AnGer project



AnGer

AnGer project