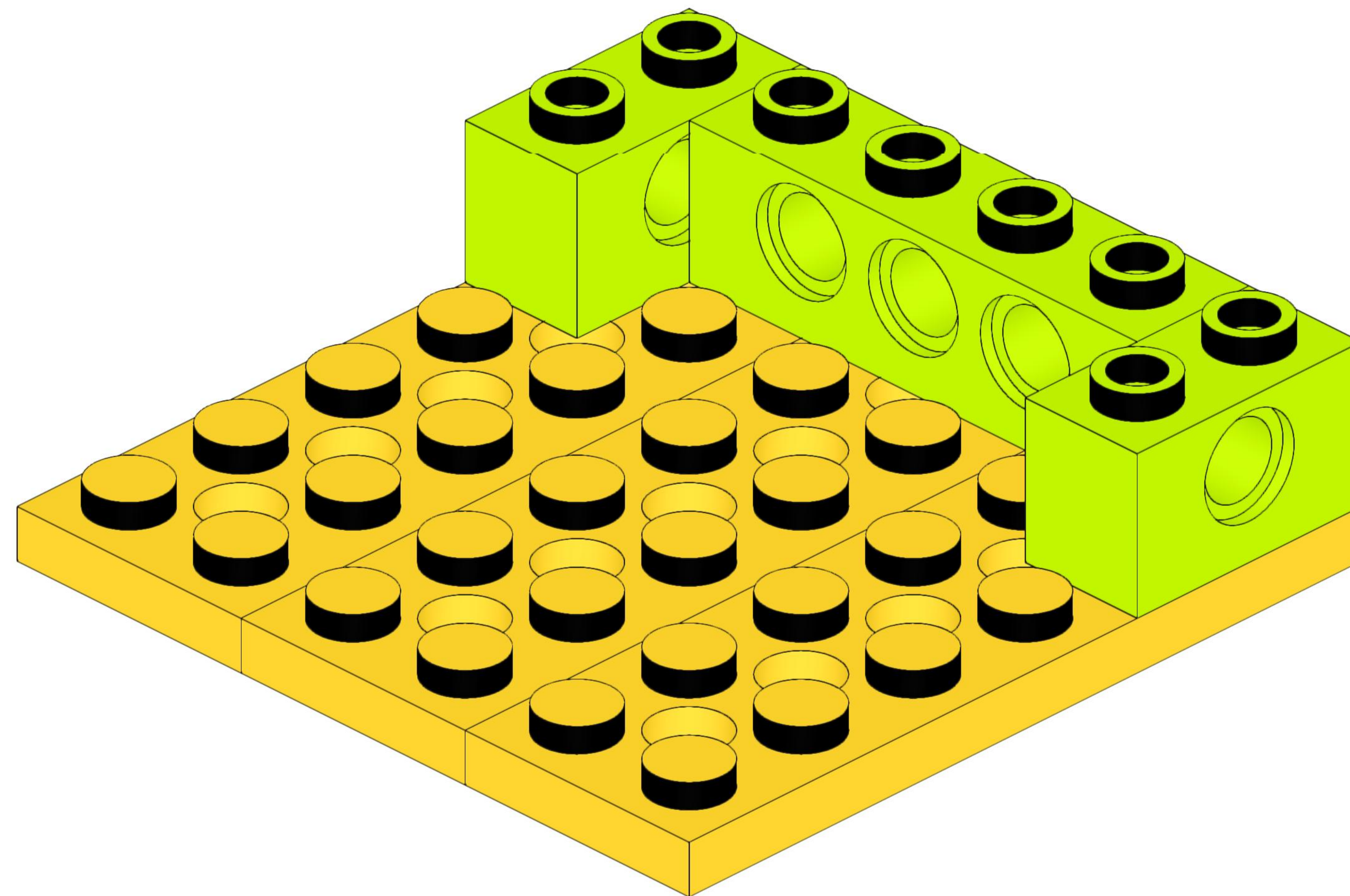
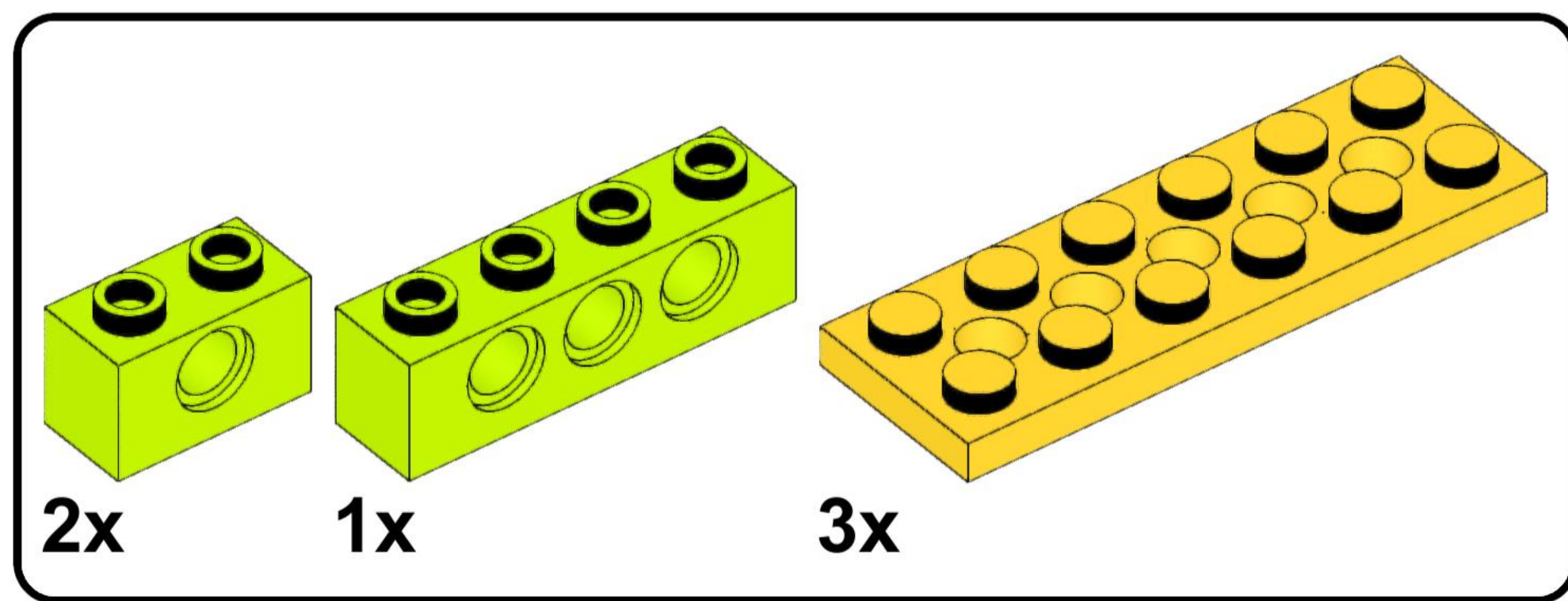


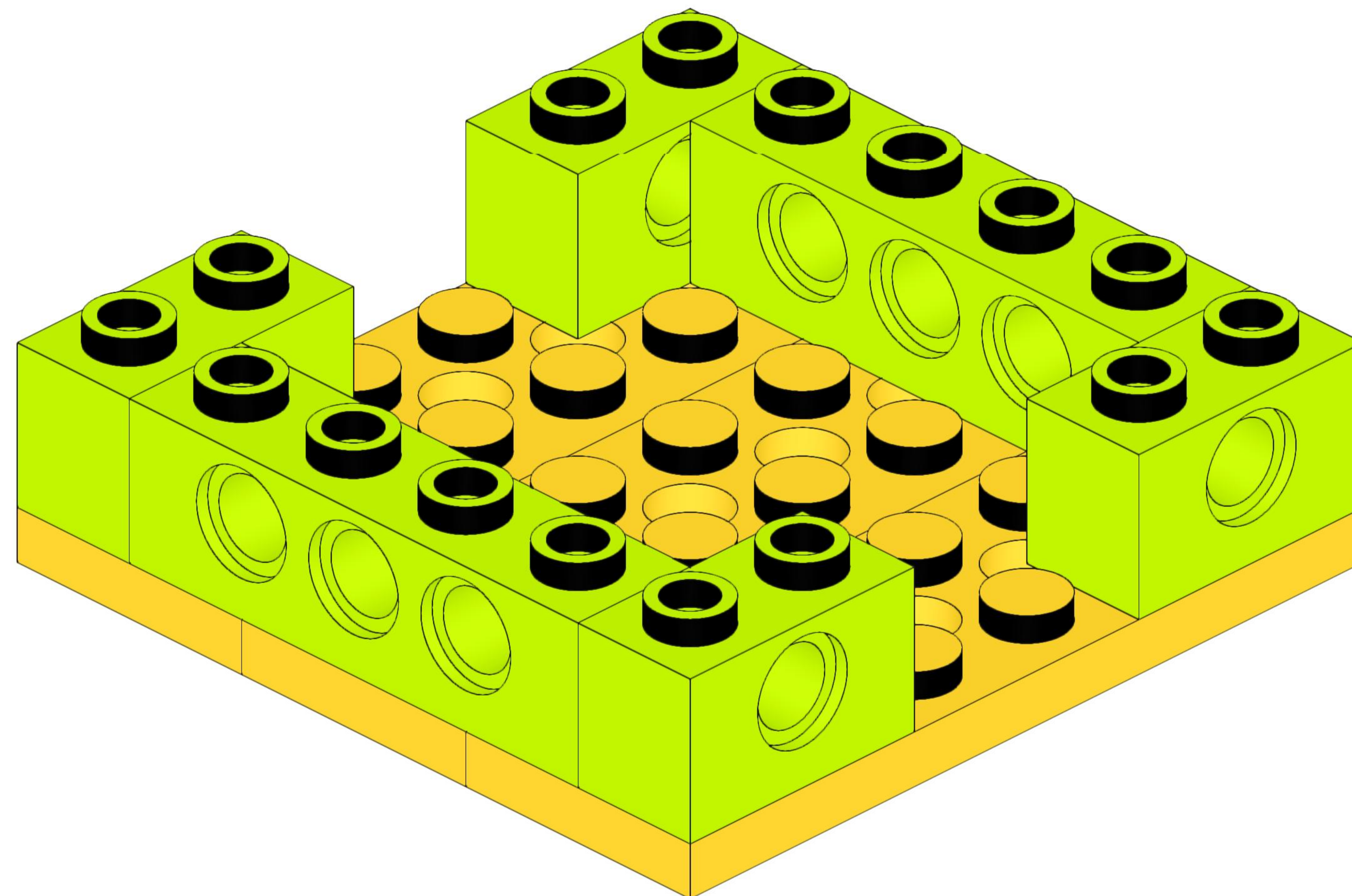
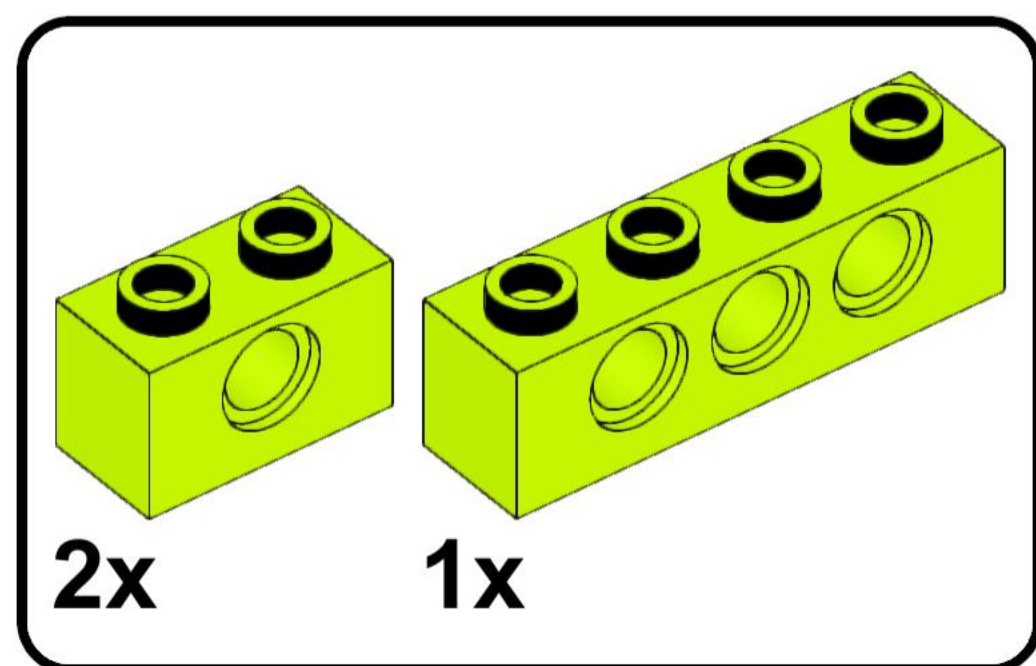
Free Car NoE - v1



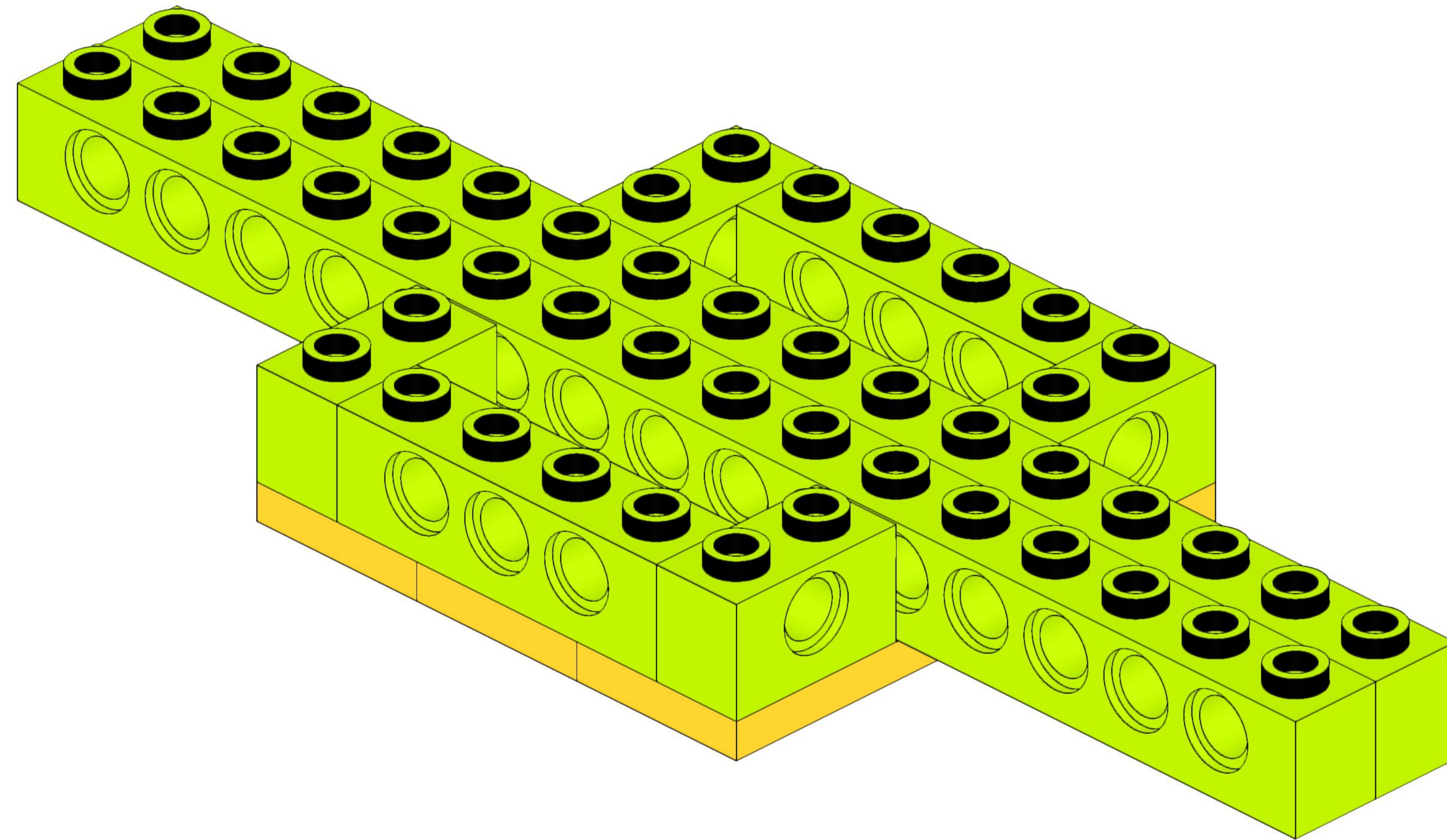
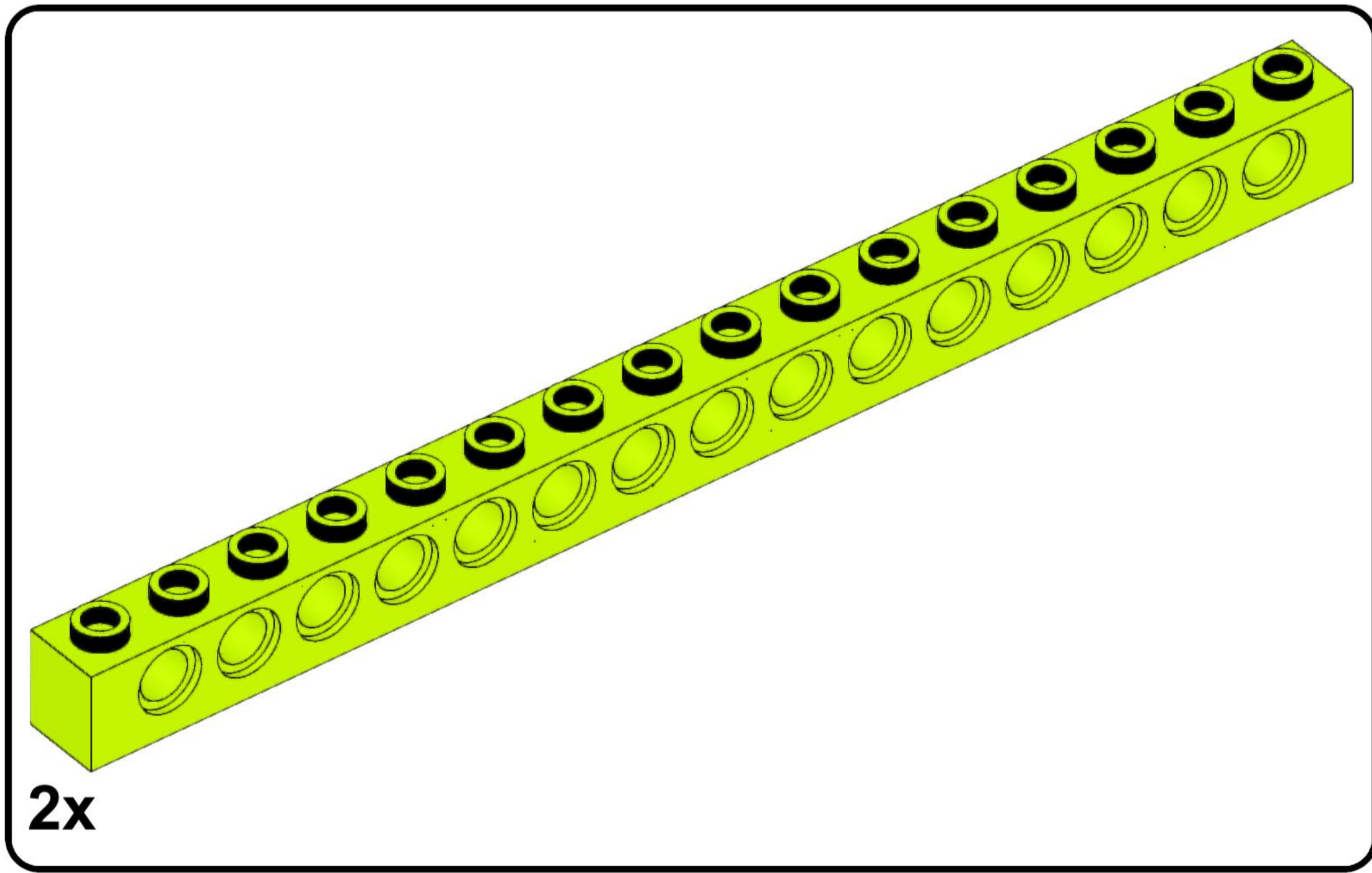
1



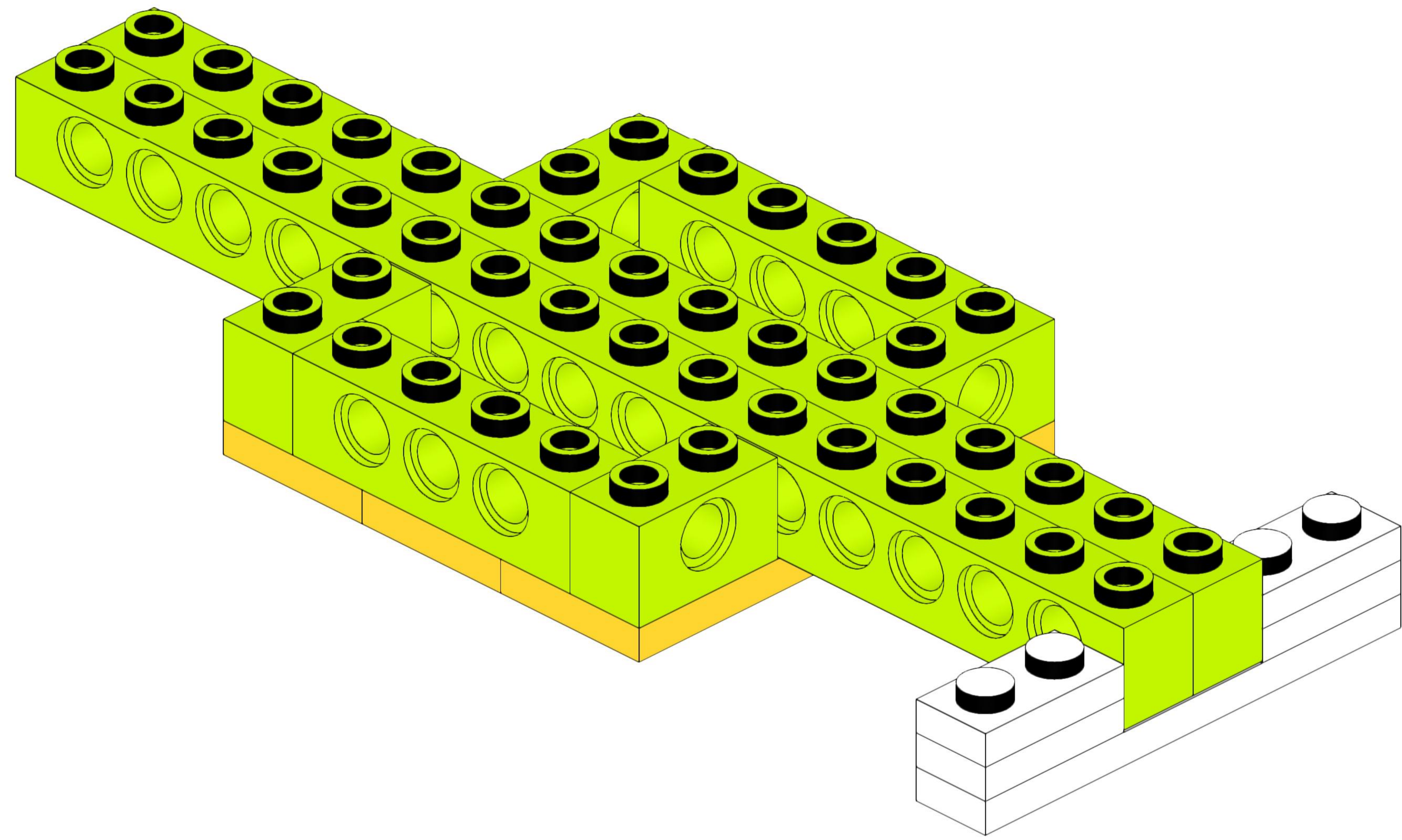
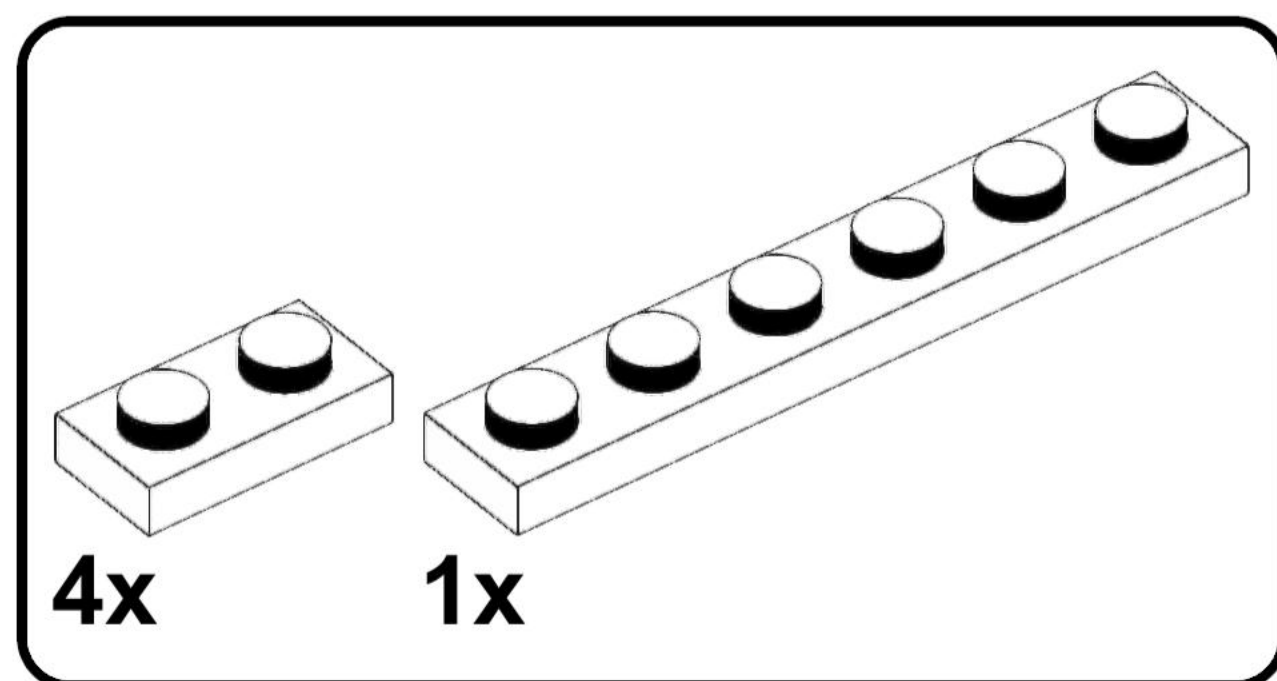
2



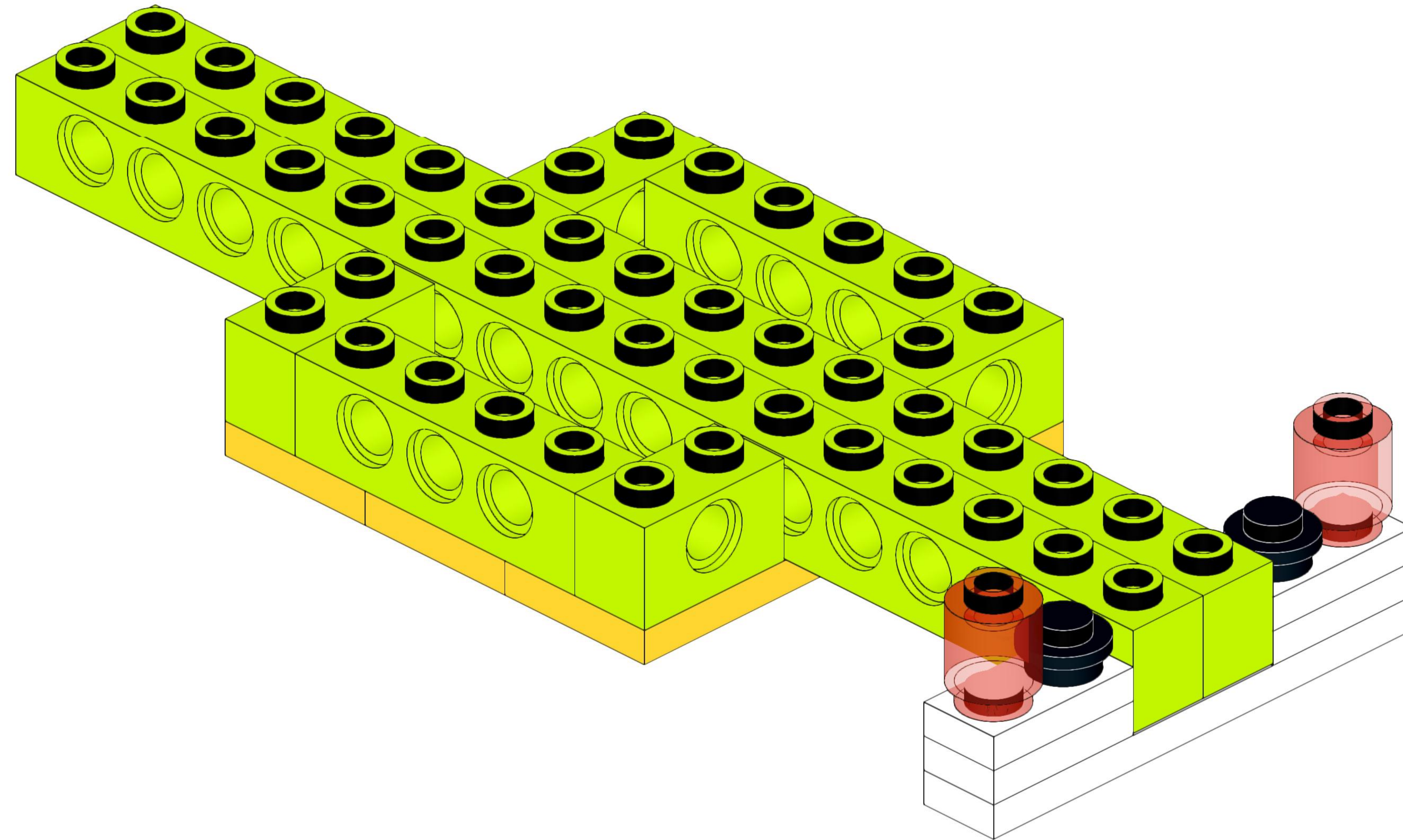
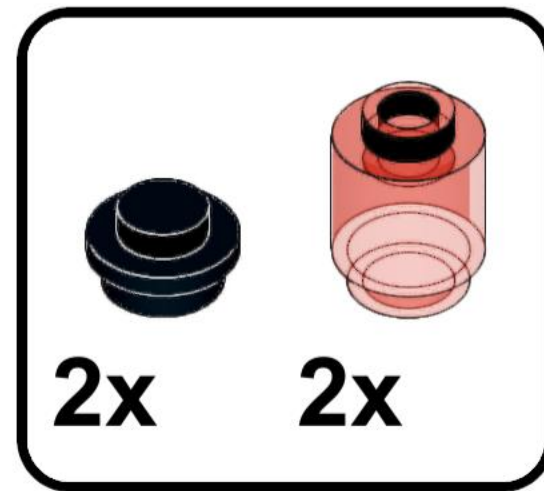
3



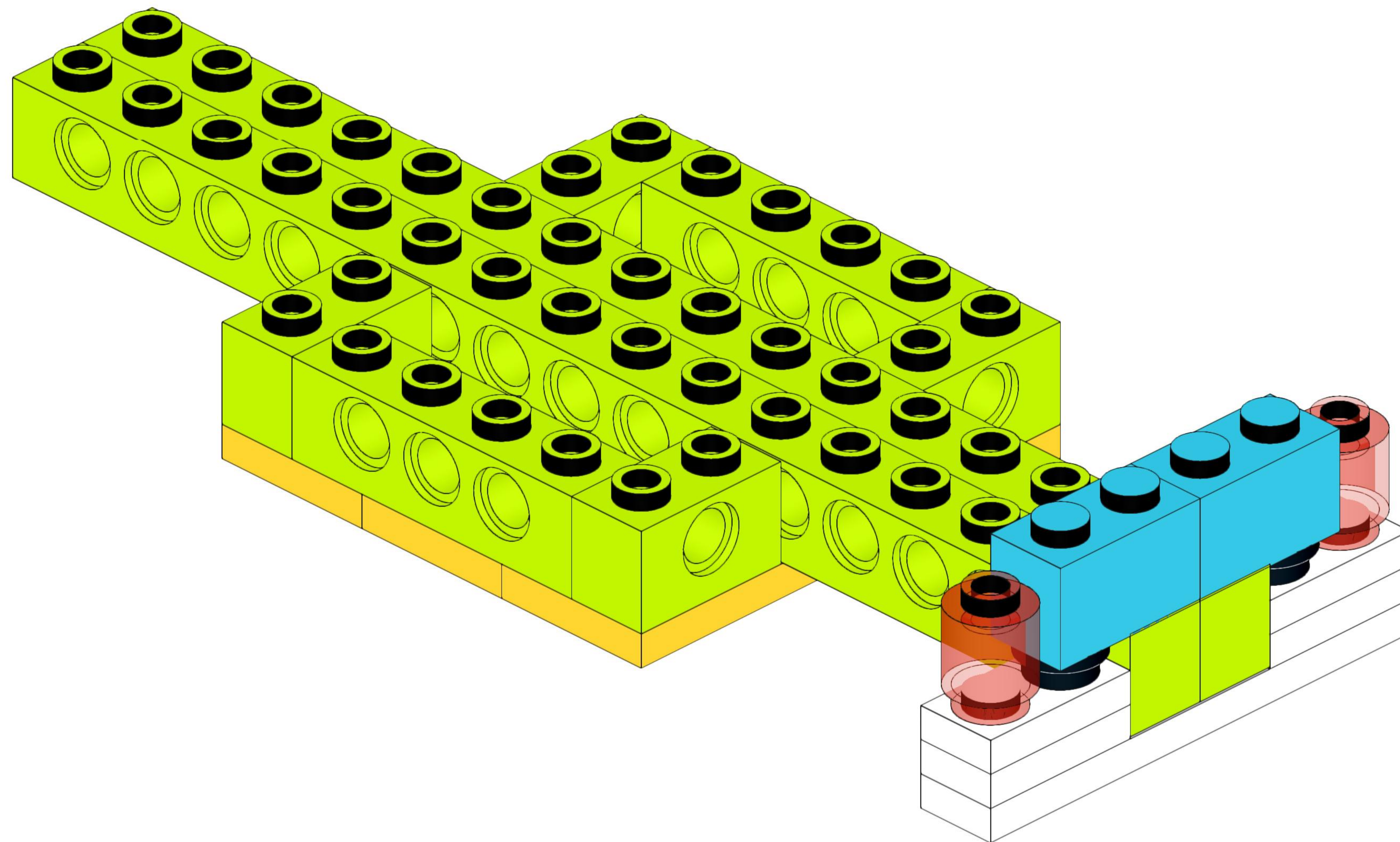
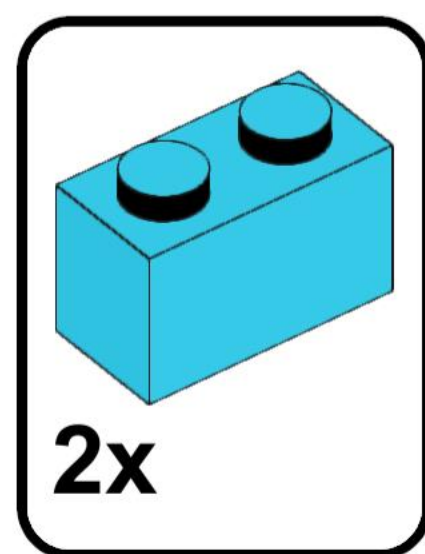
4



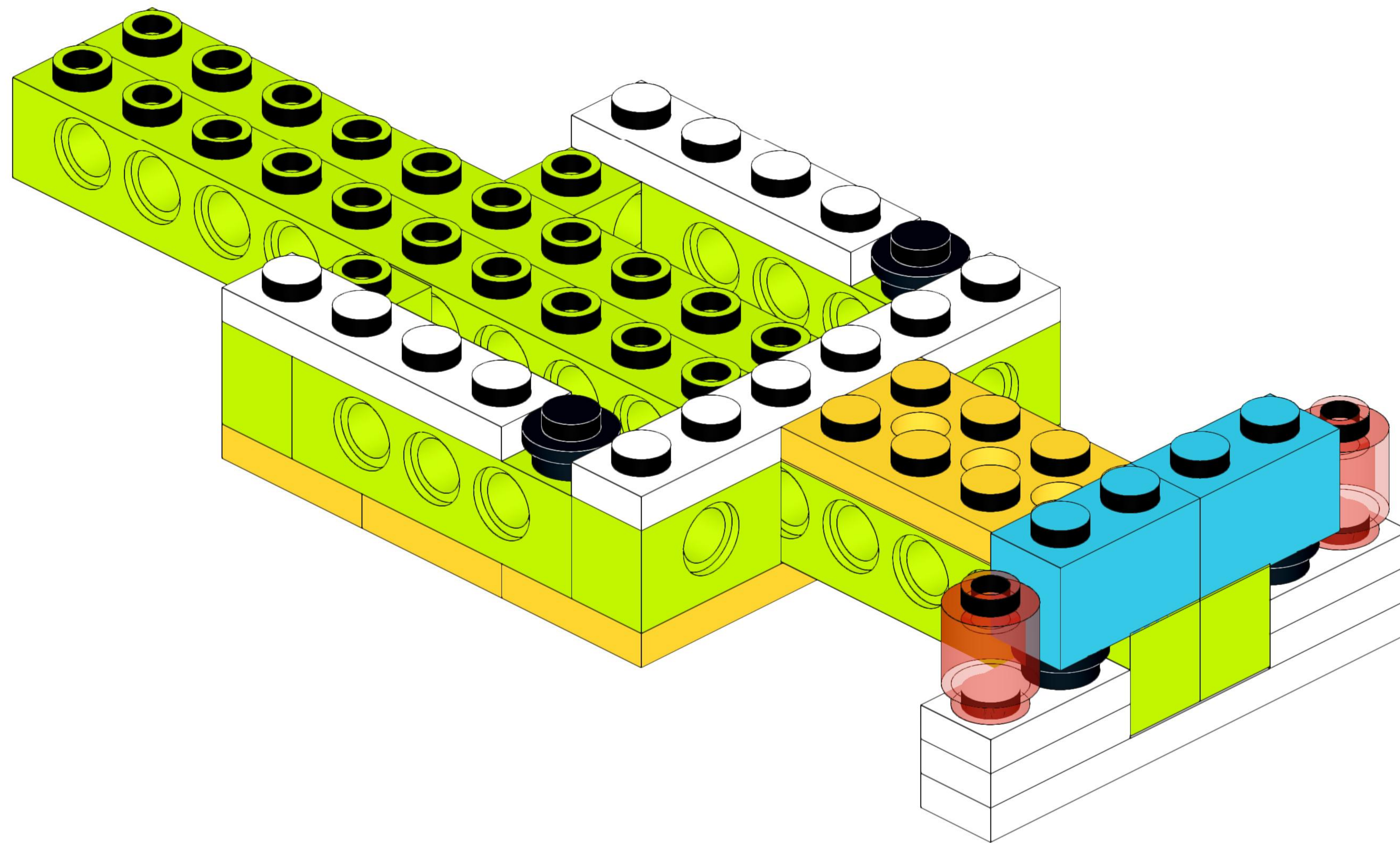
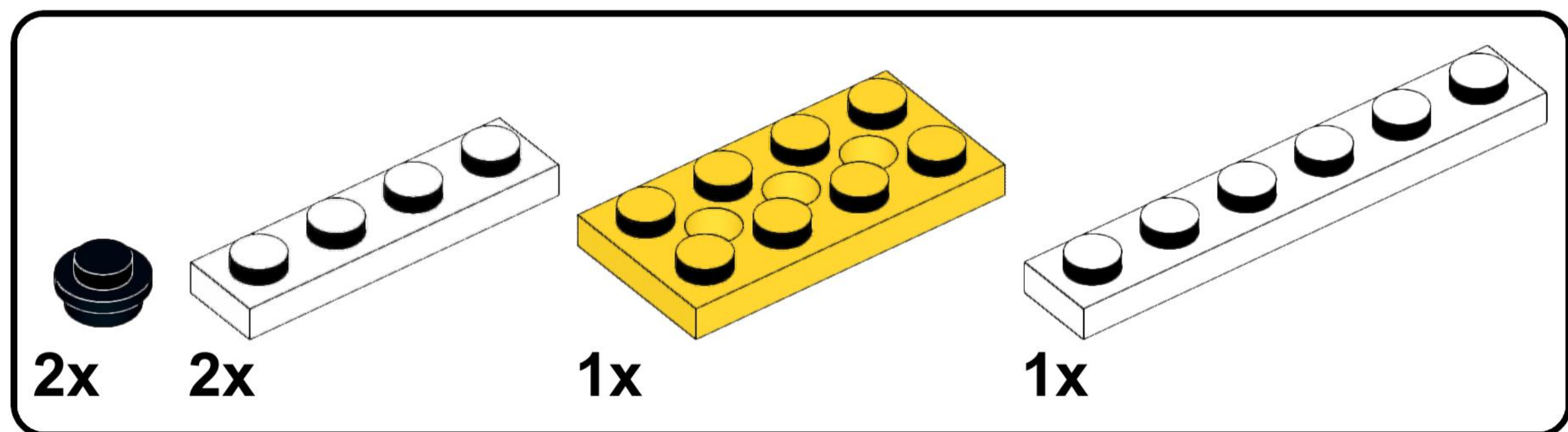
5



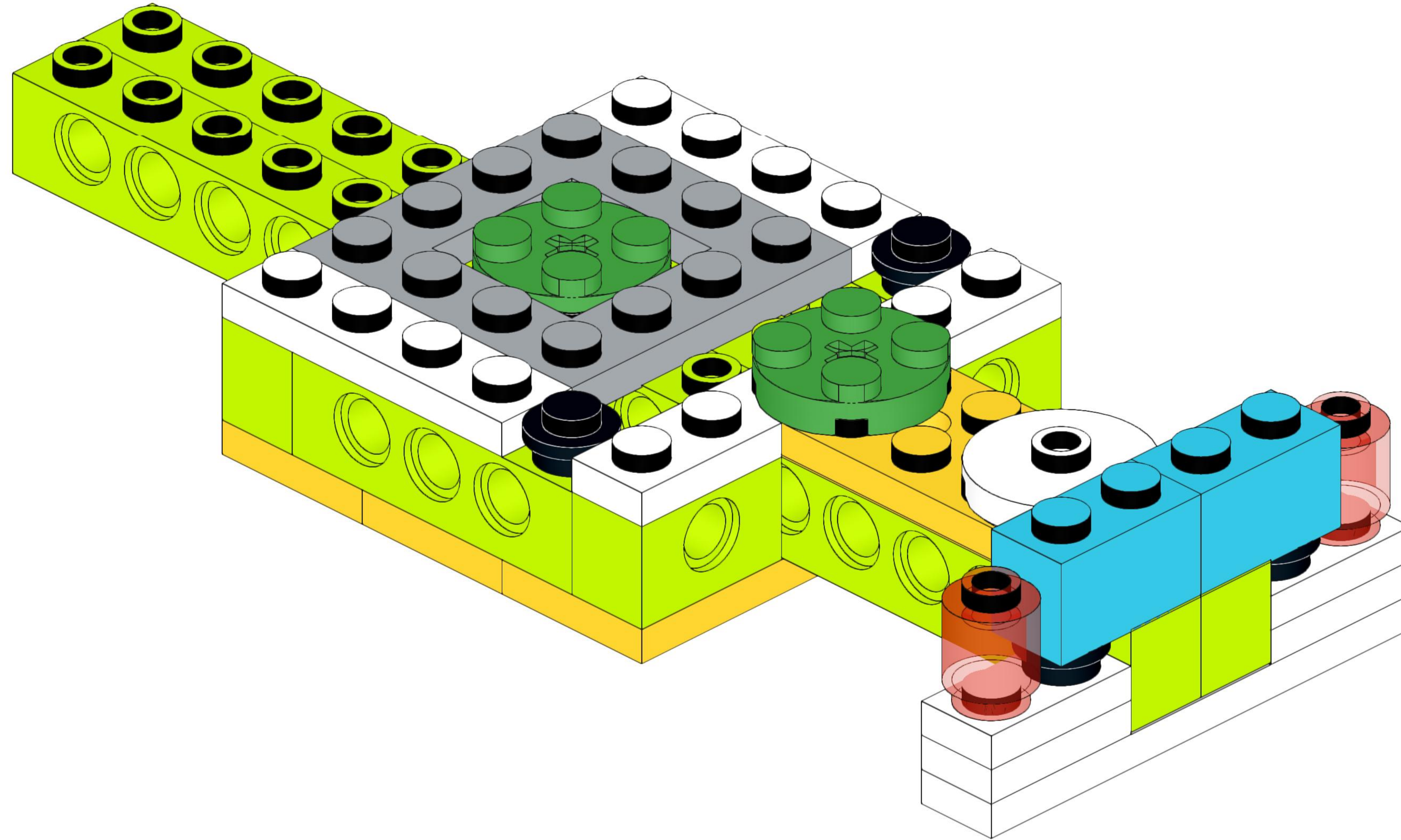
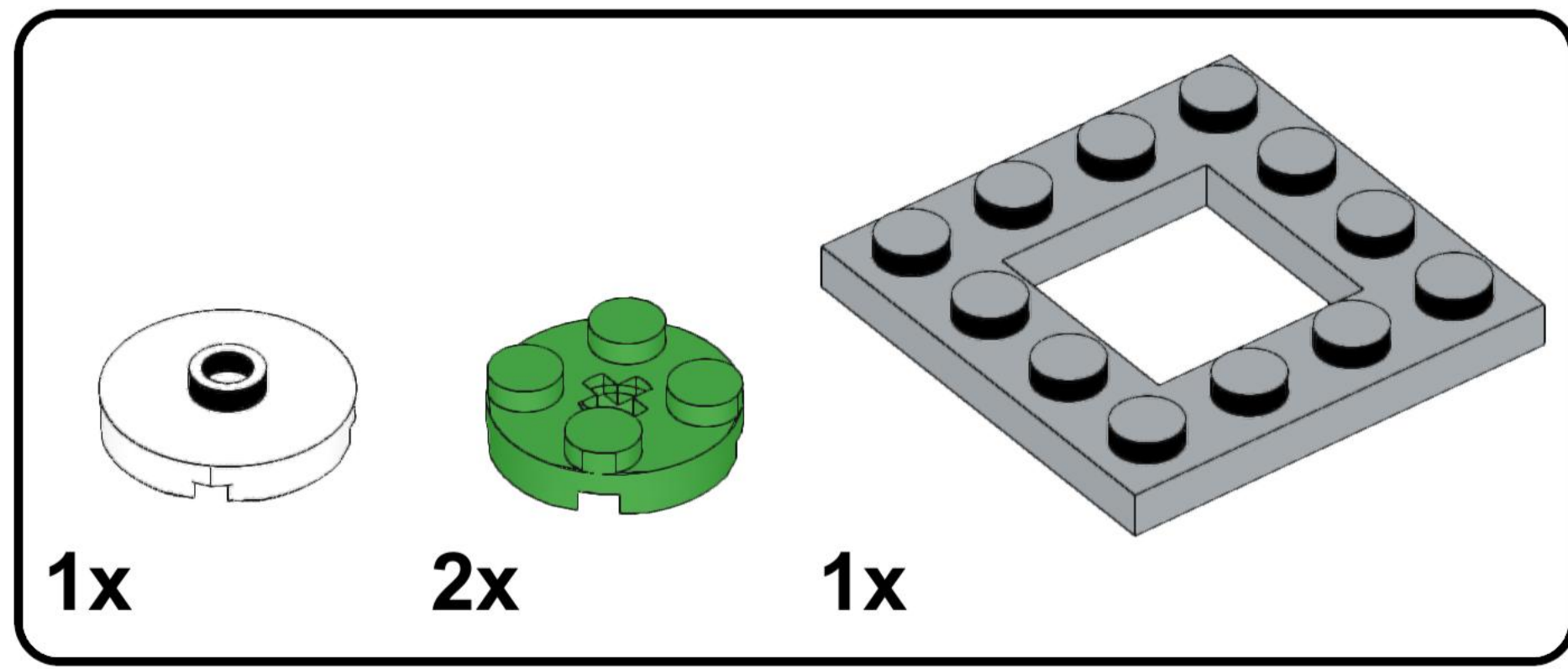
6



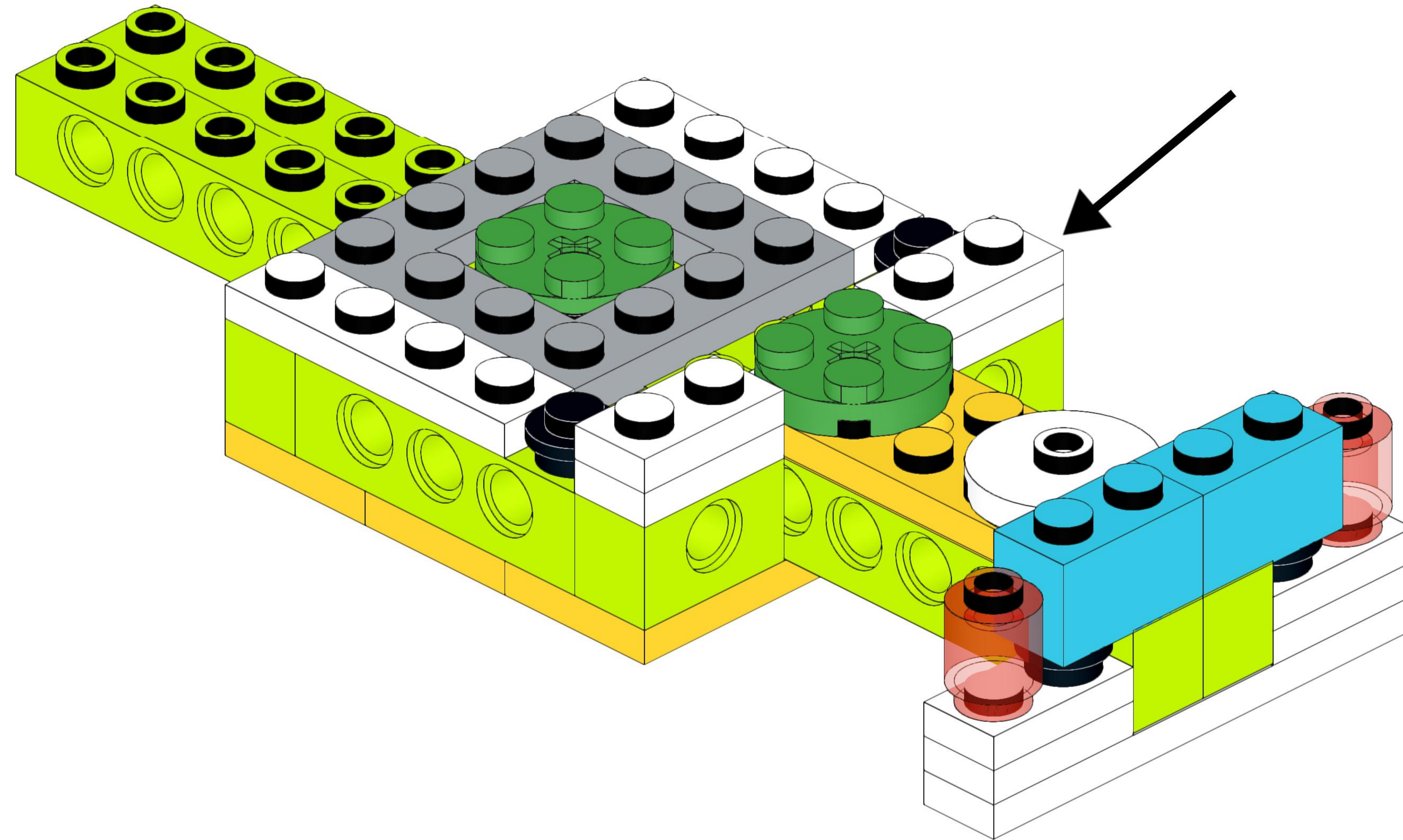
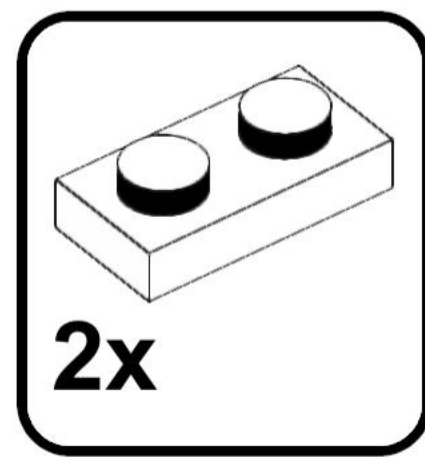
7



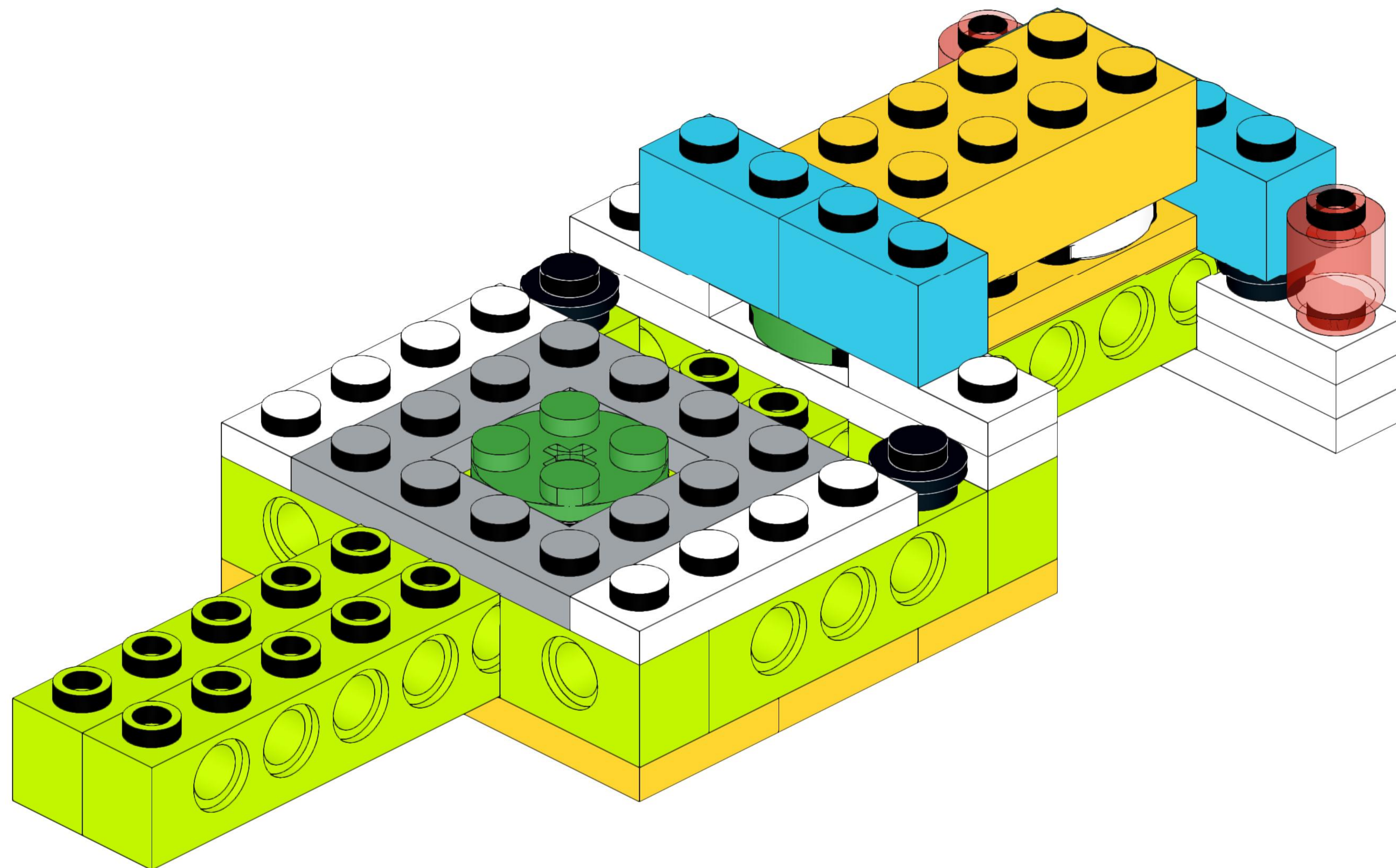
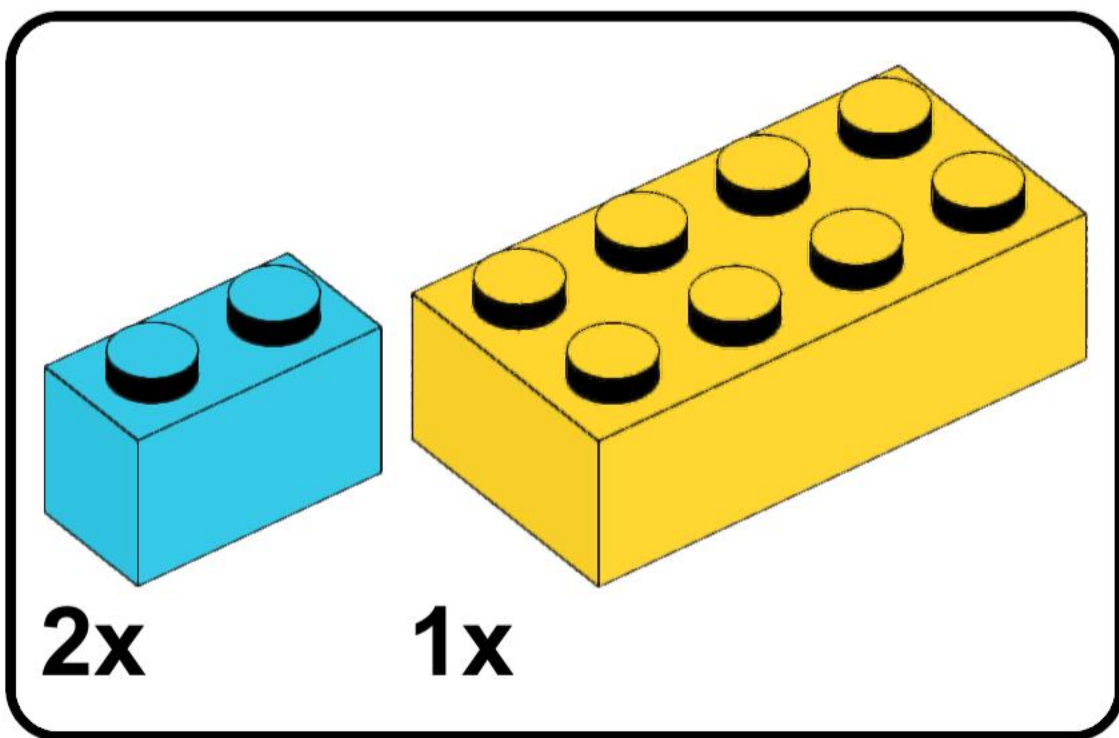
8



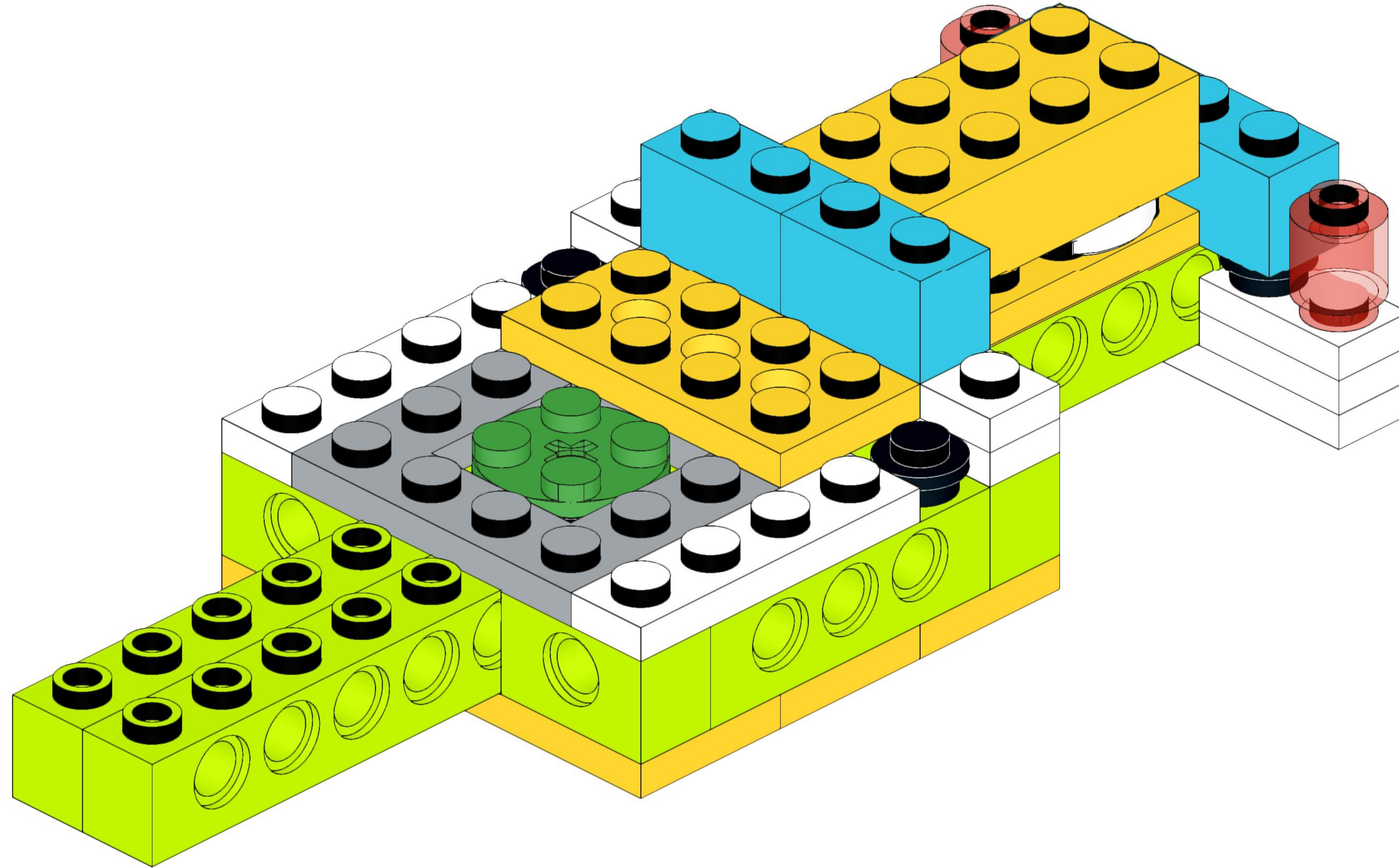
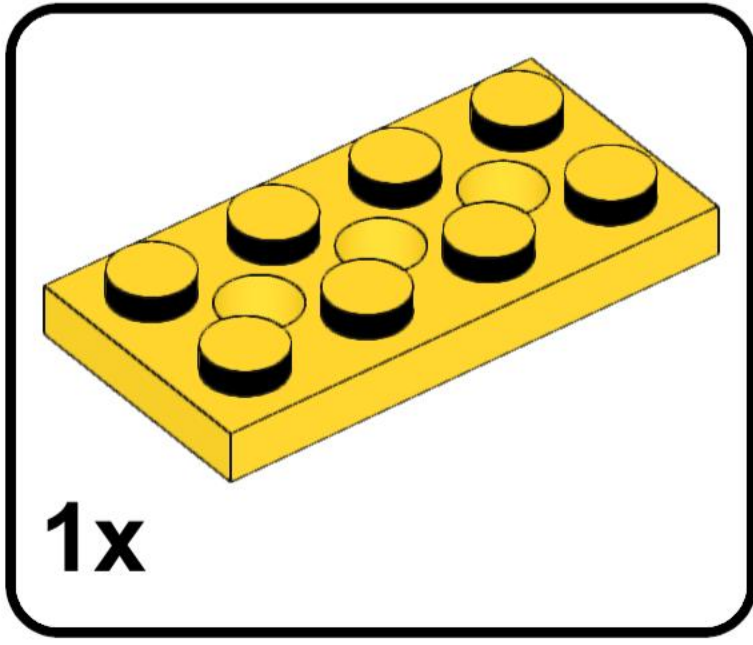
9



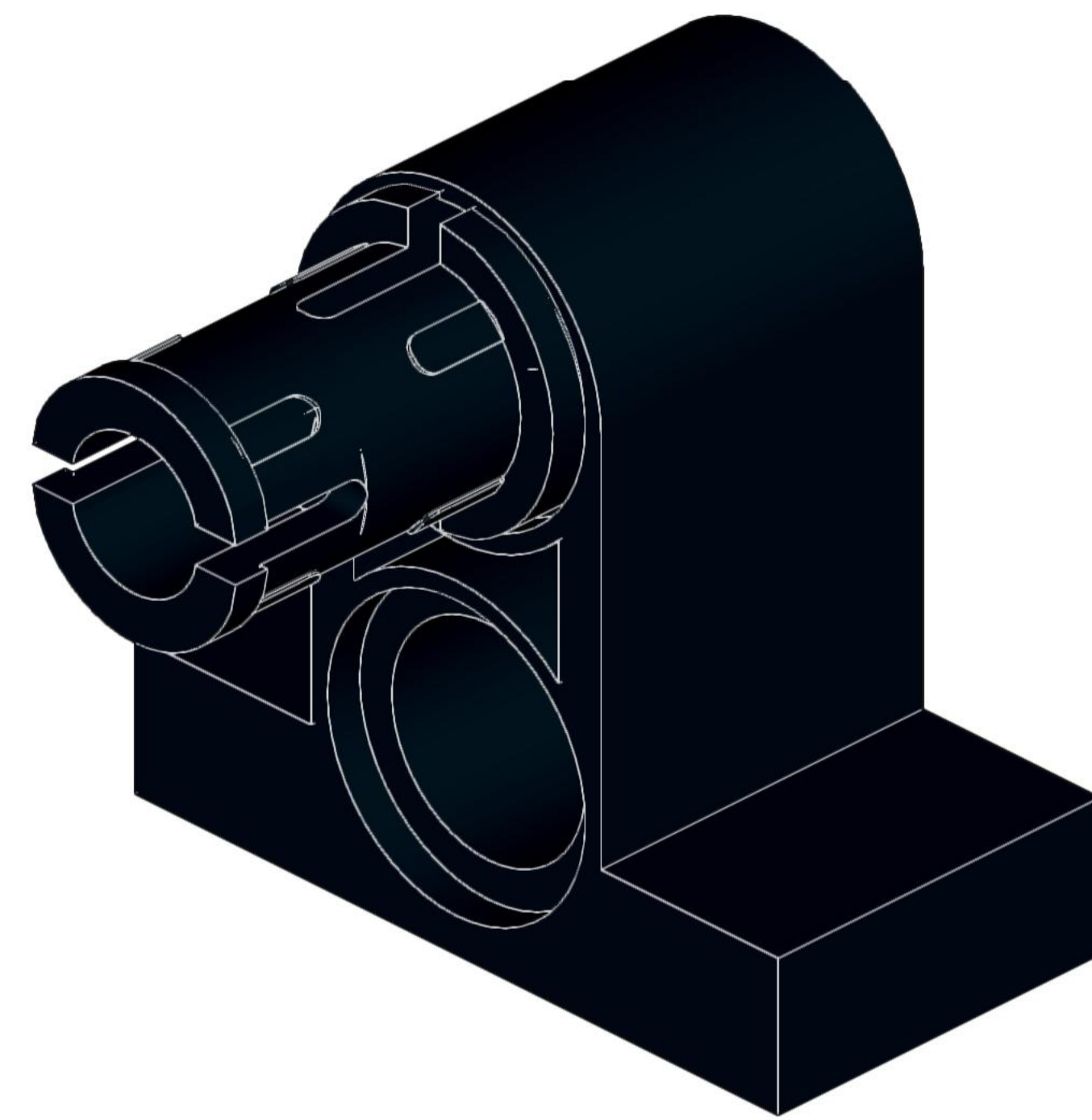
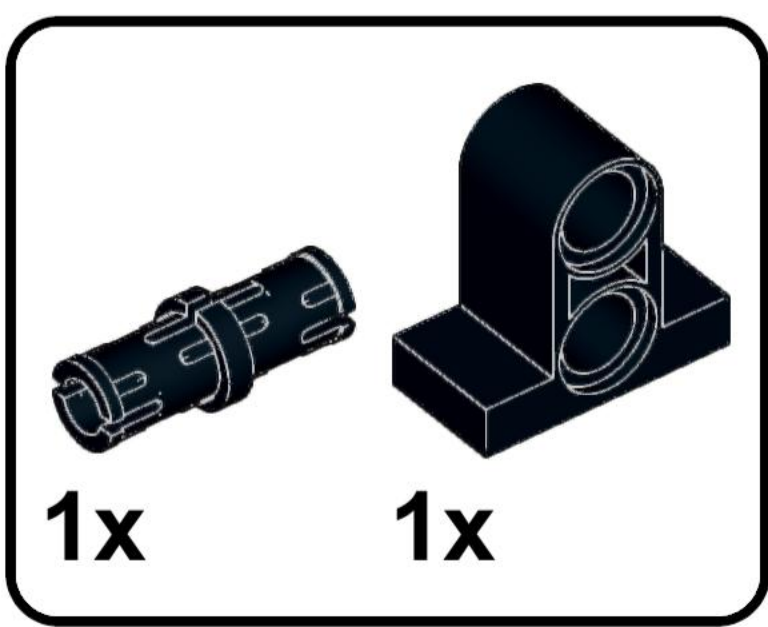
10



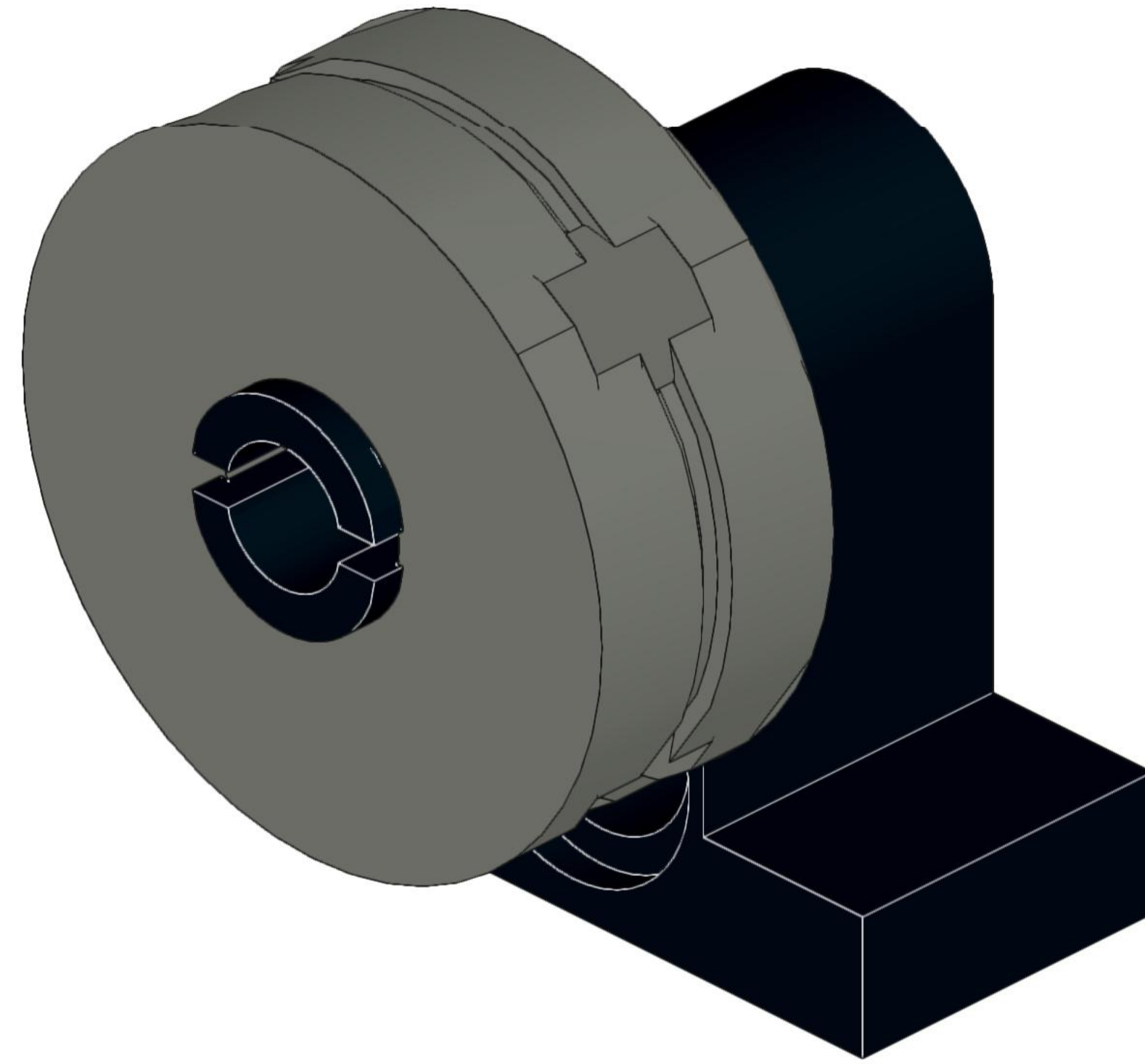
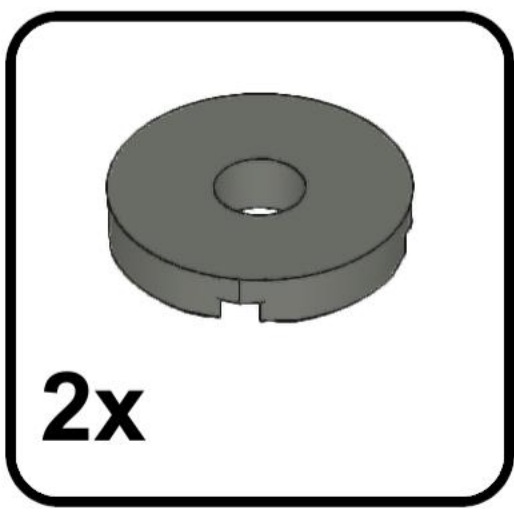
11

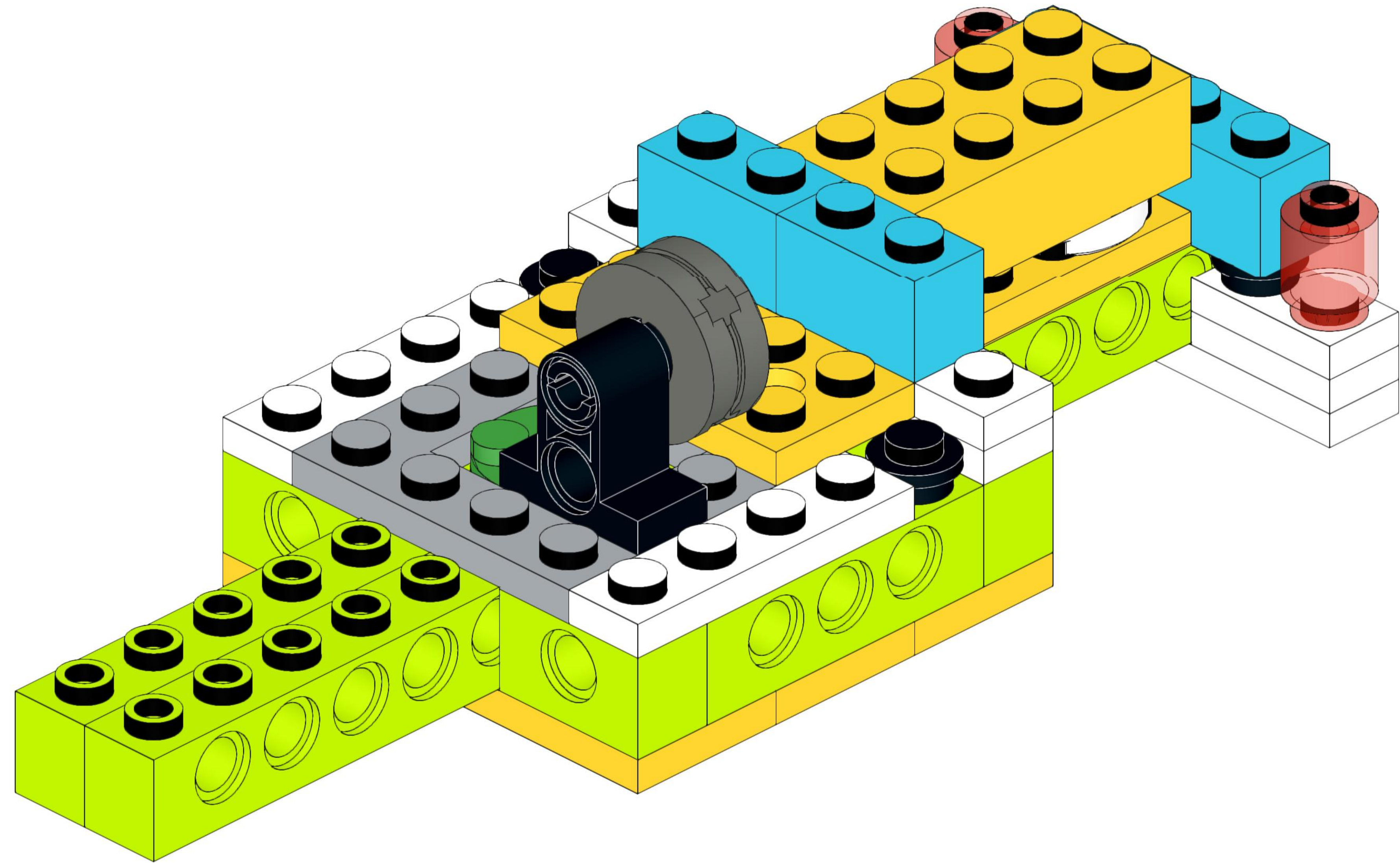


12

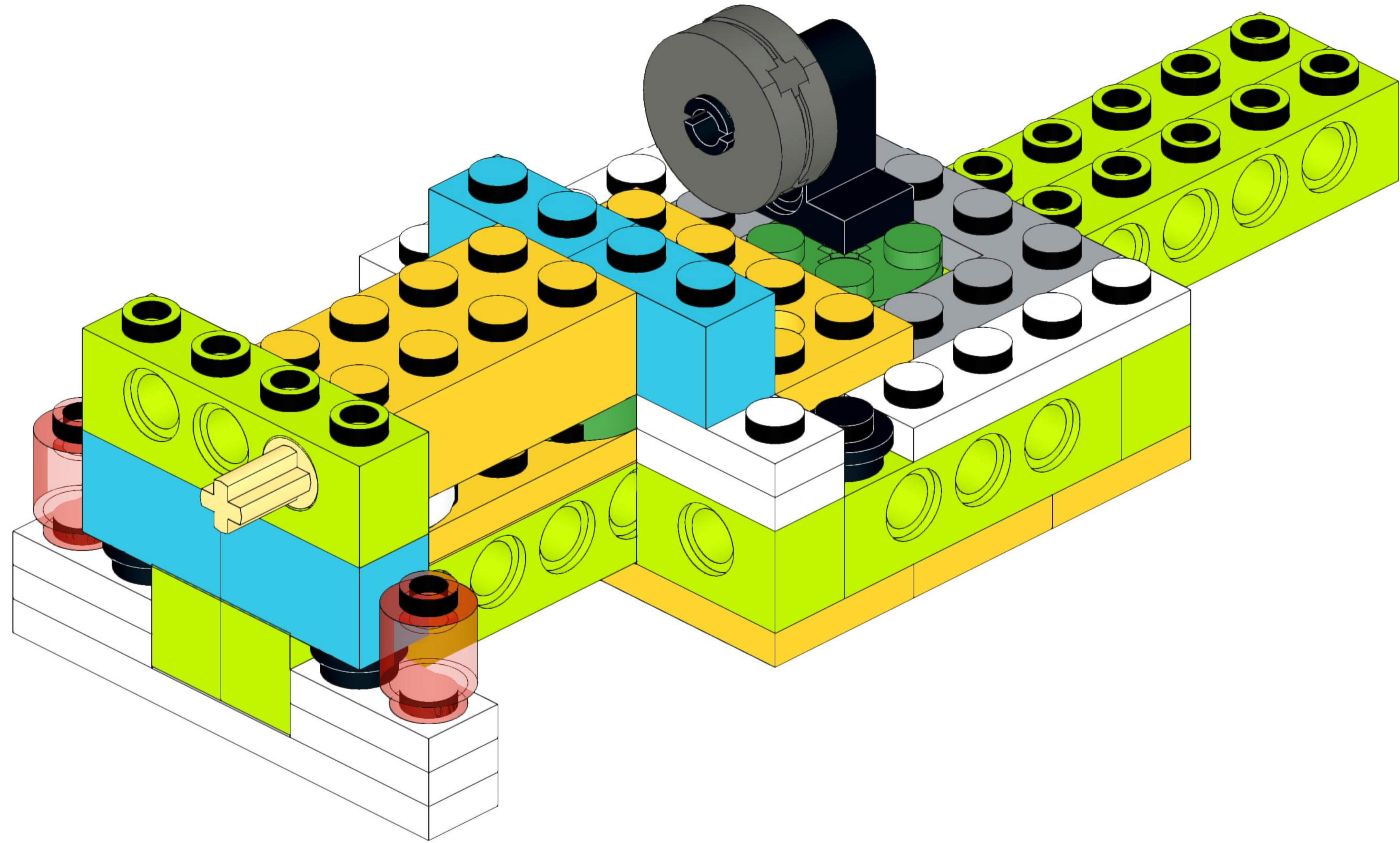
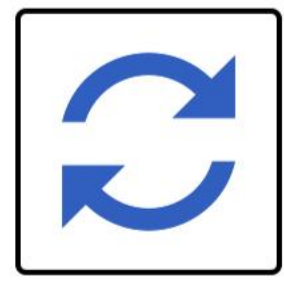
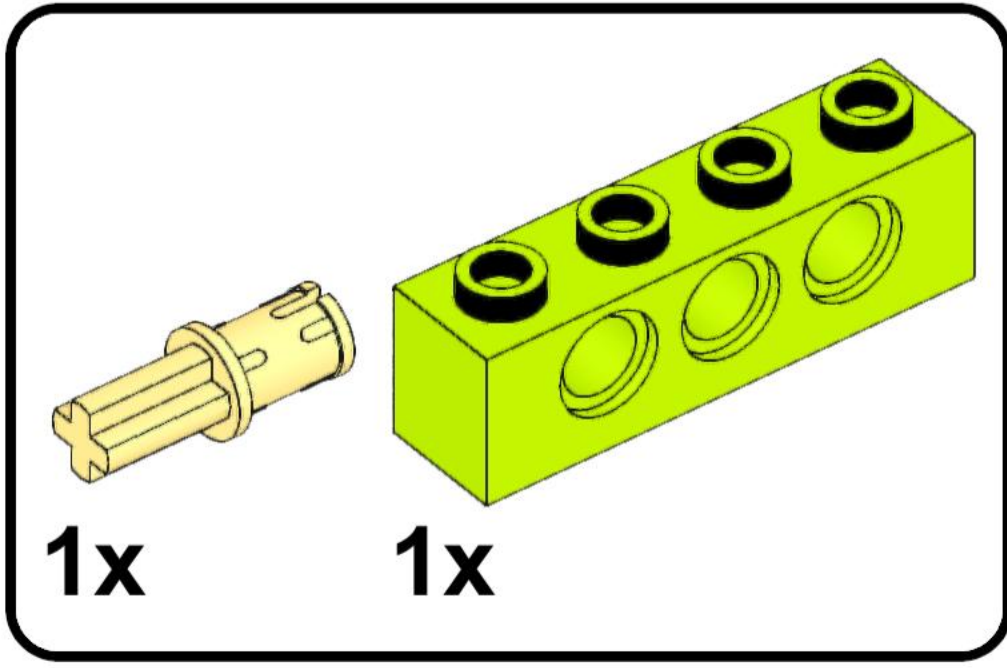


13

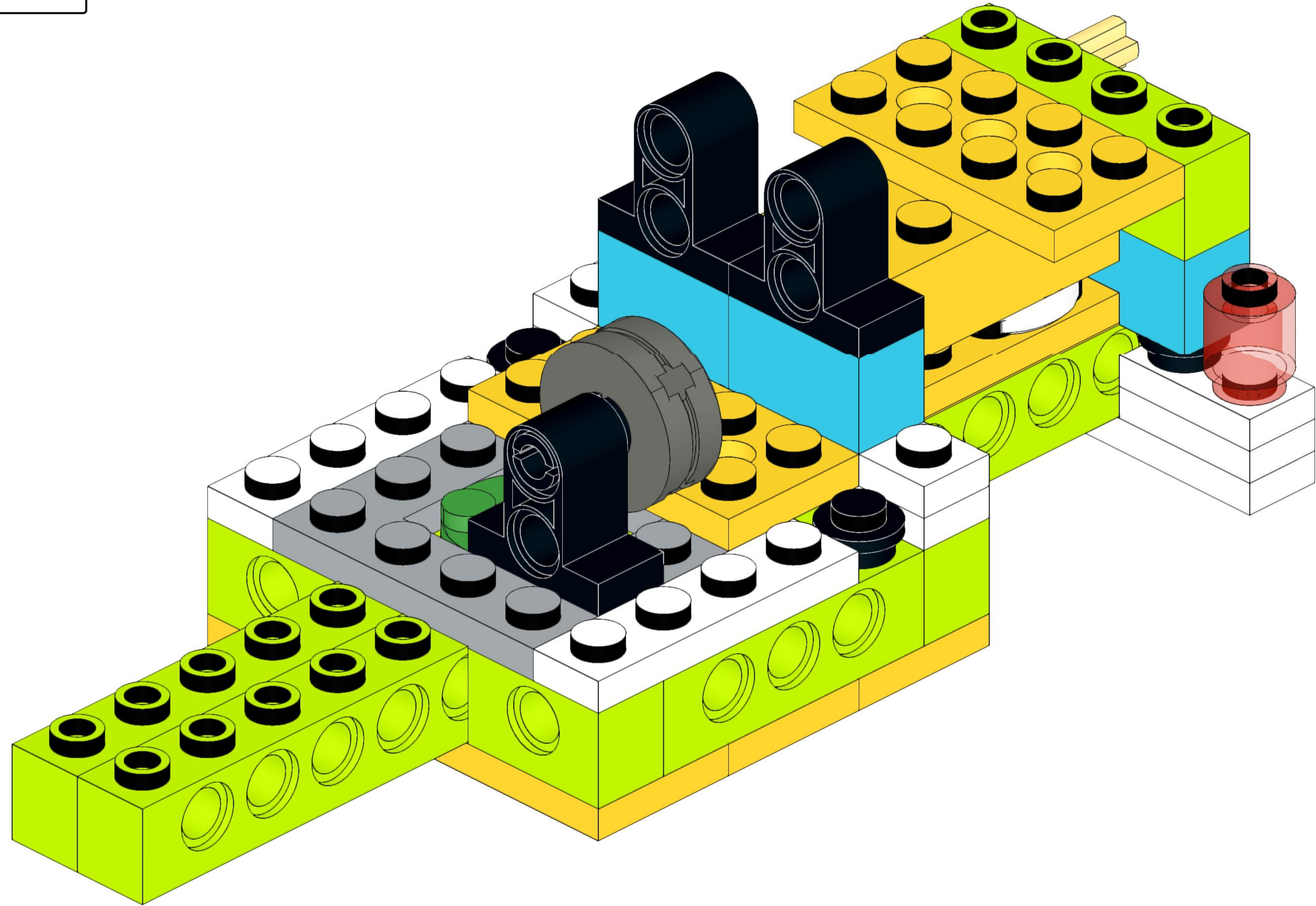
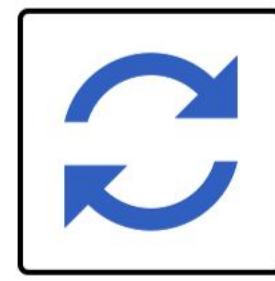
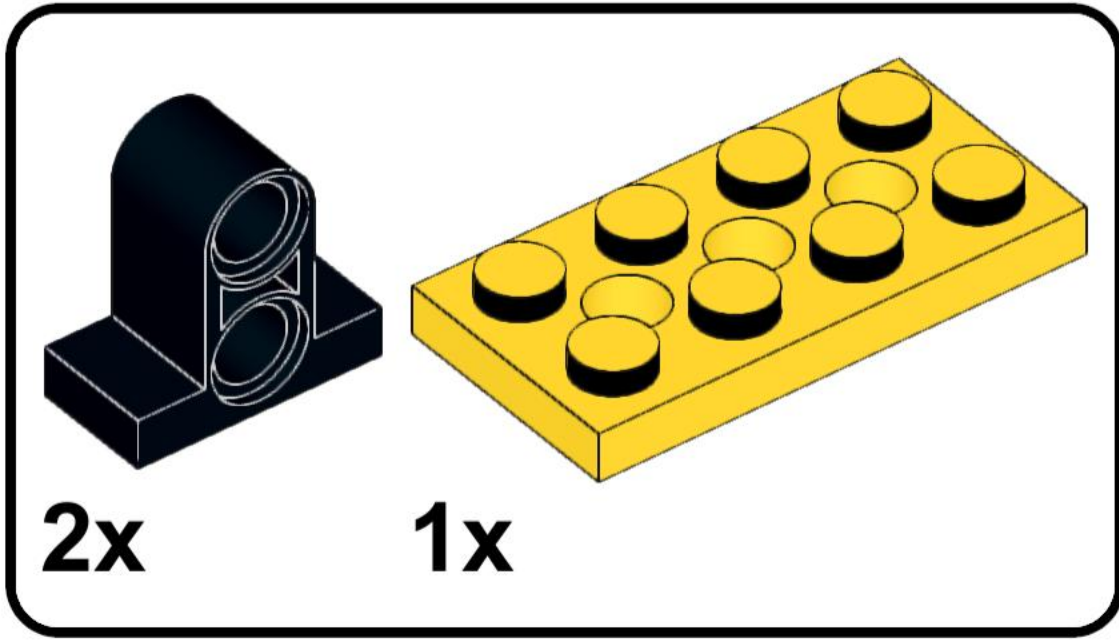




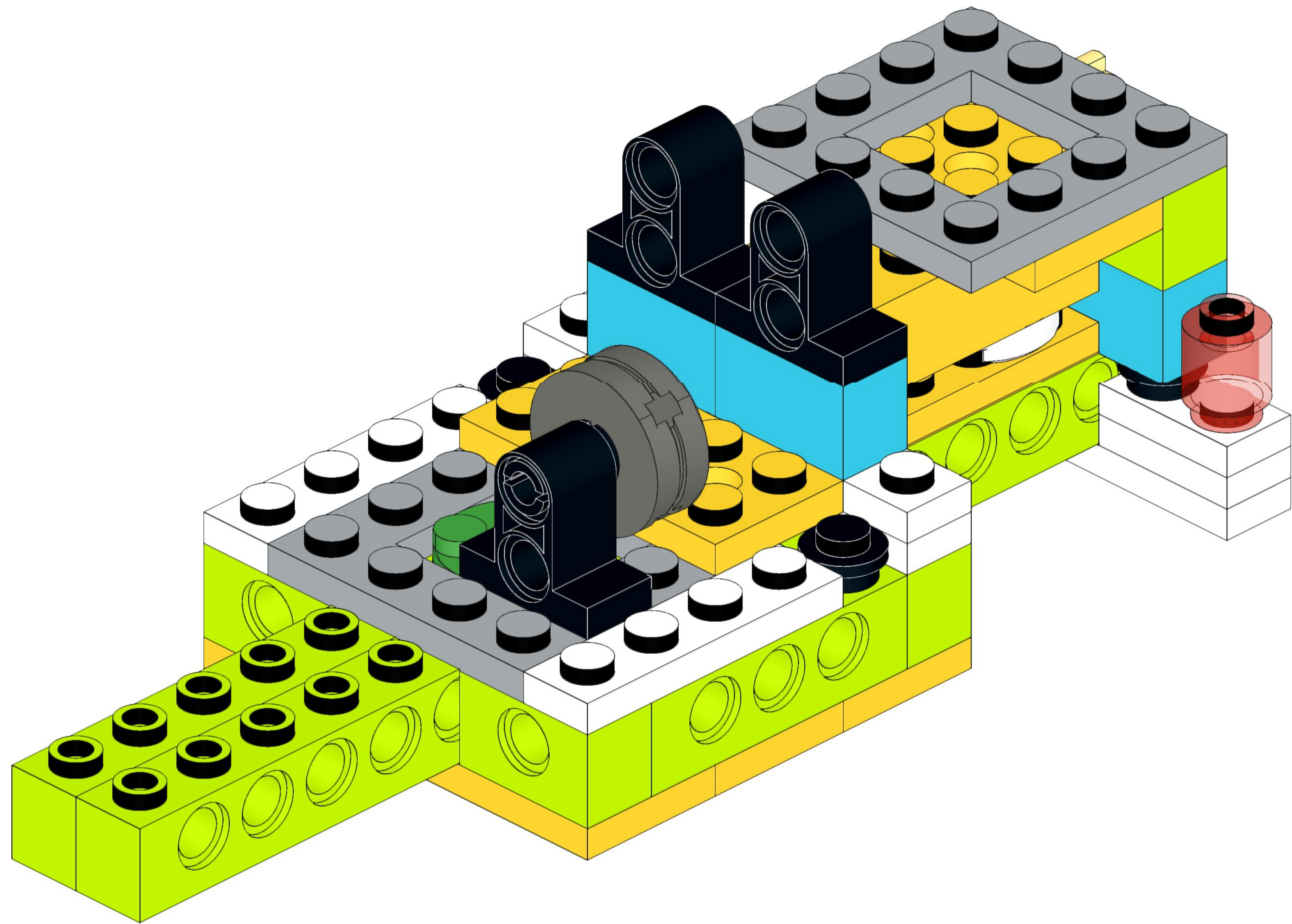
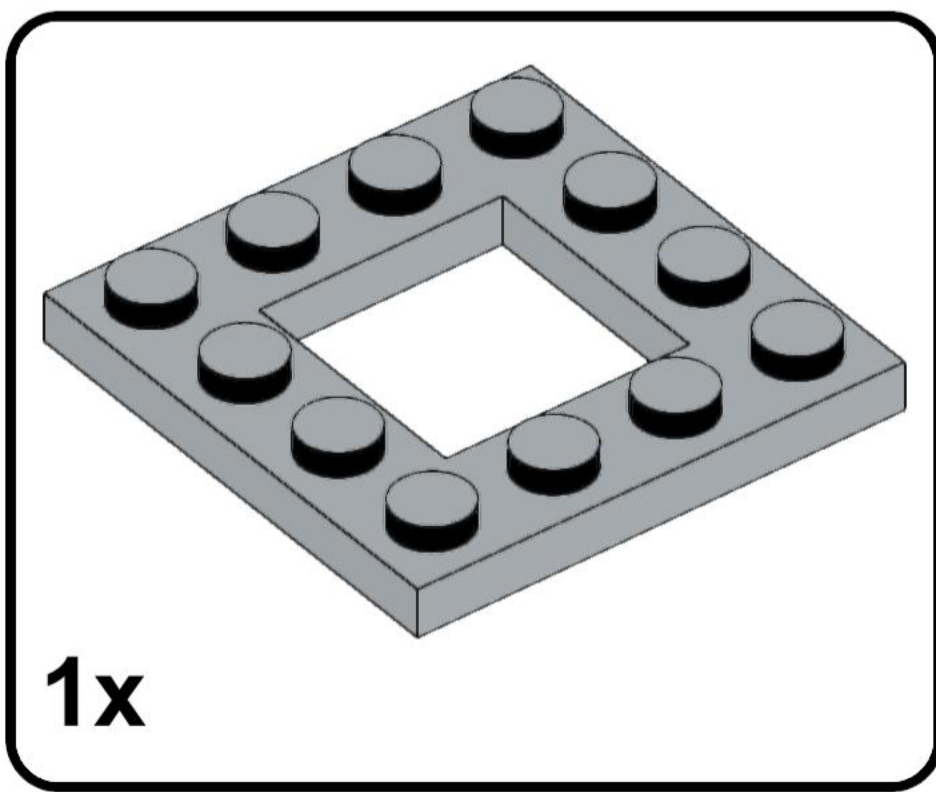
15



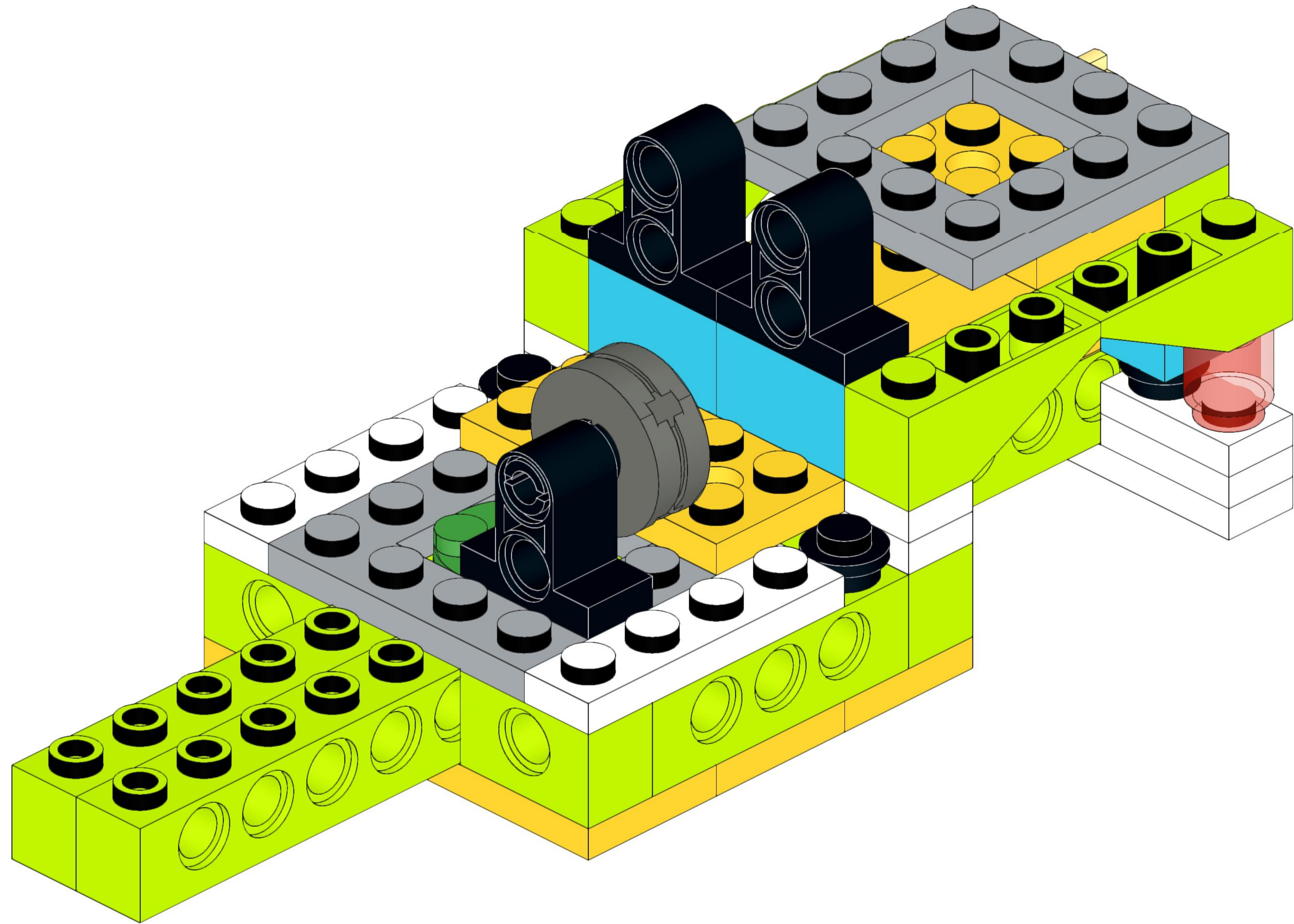
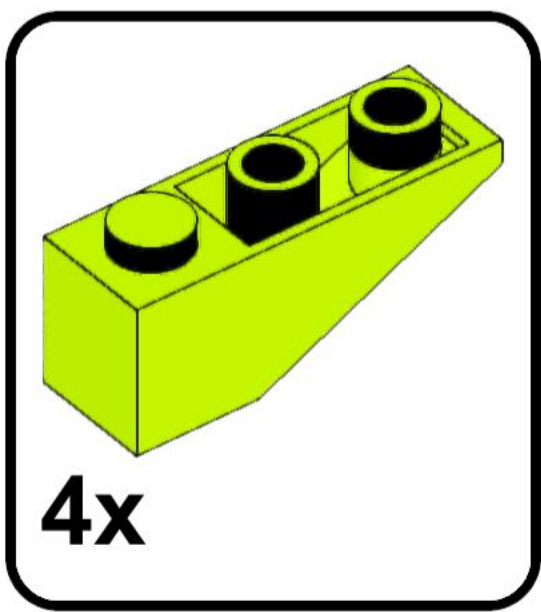
16



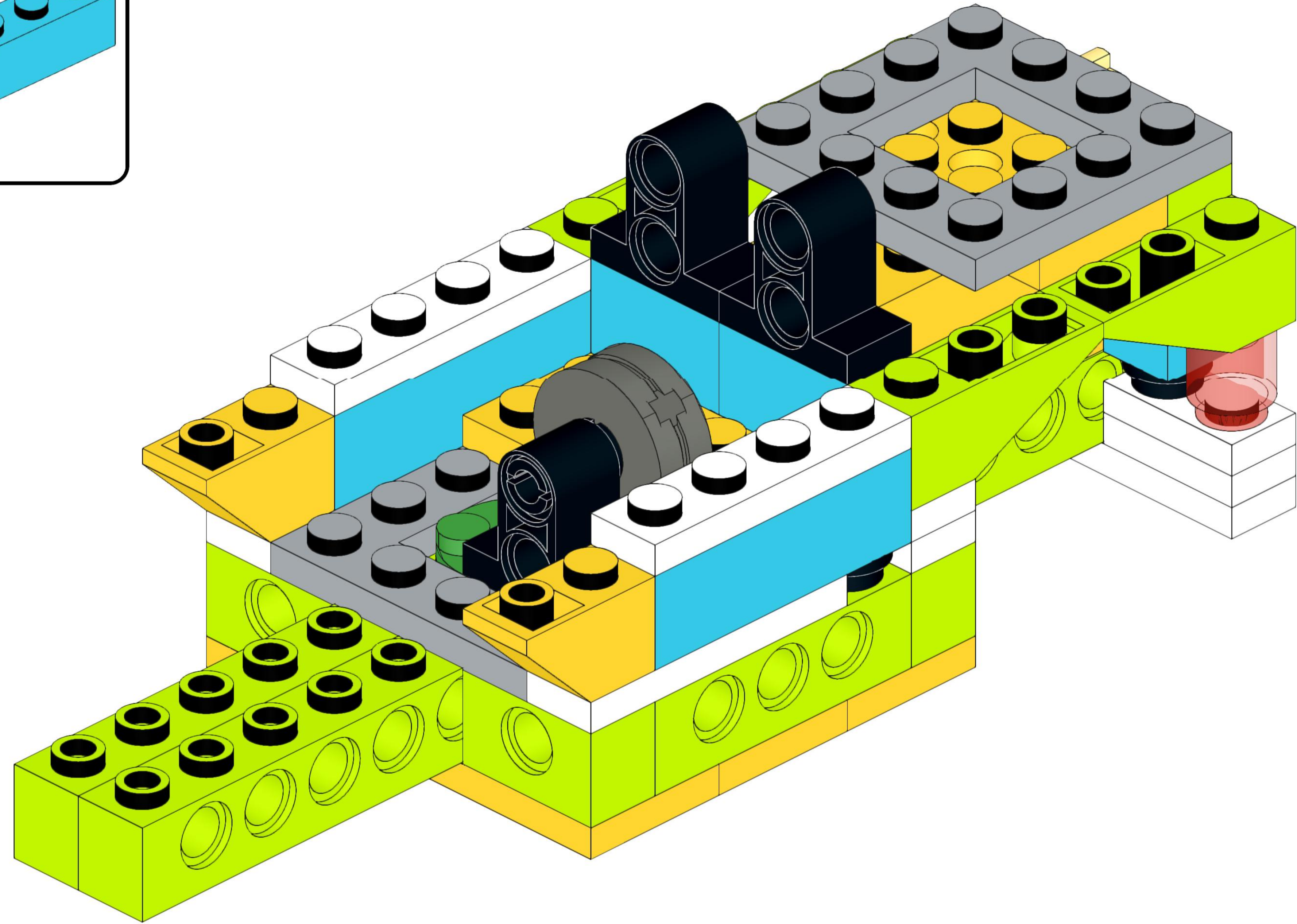
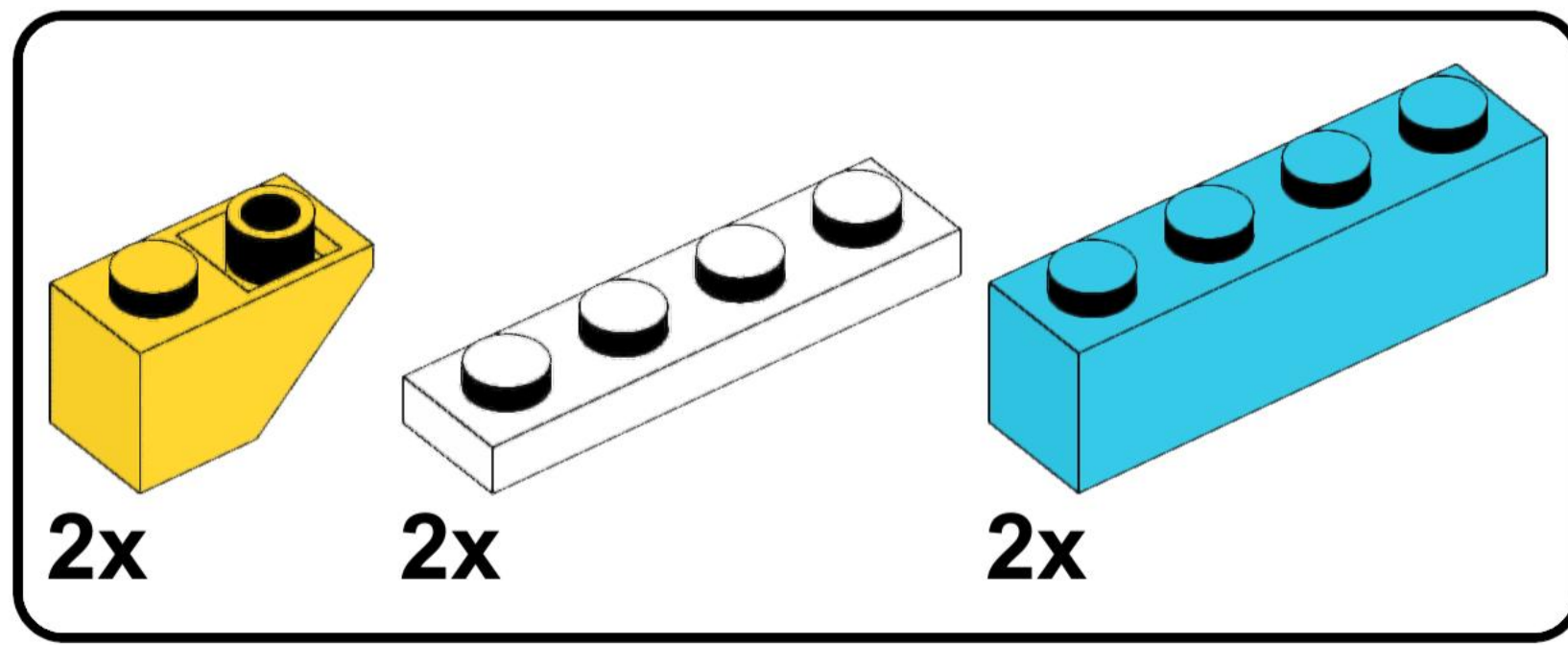
17



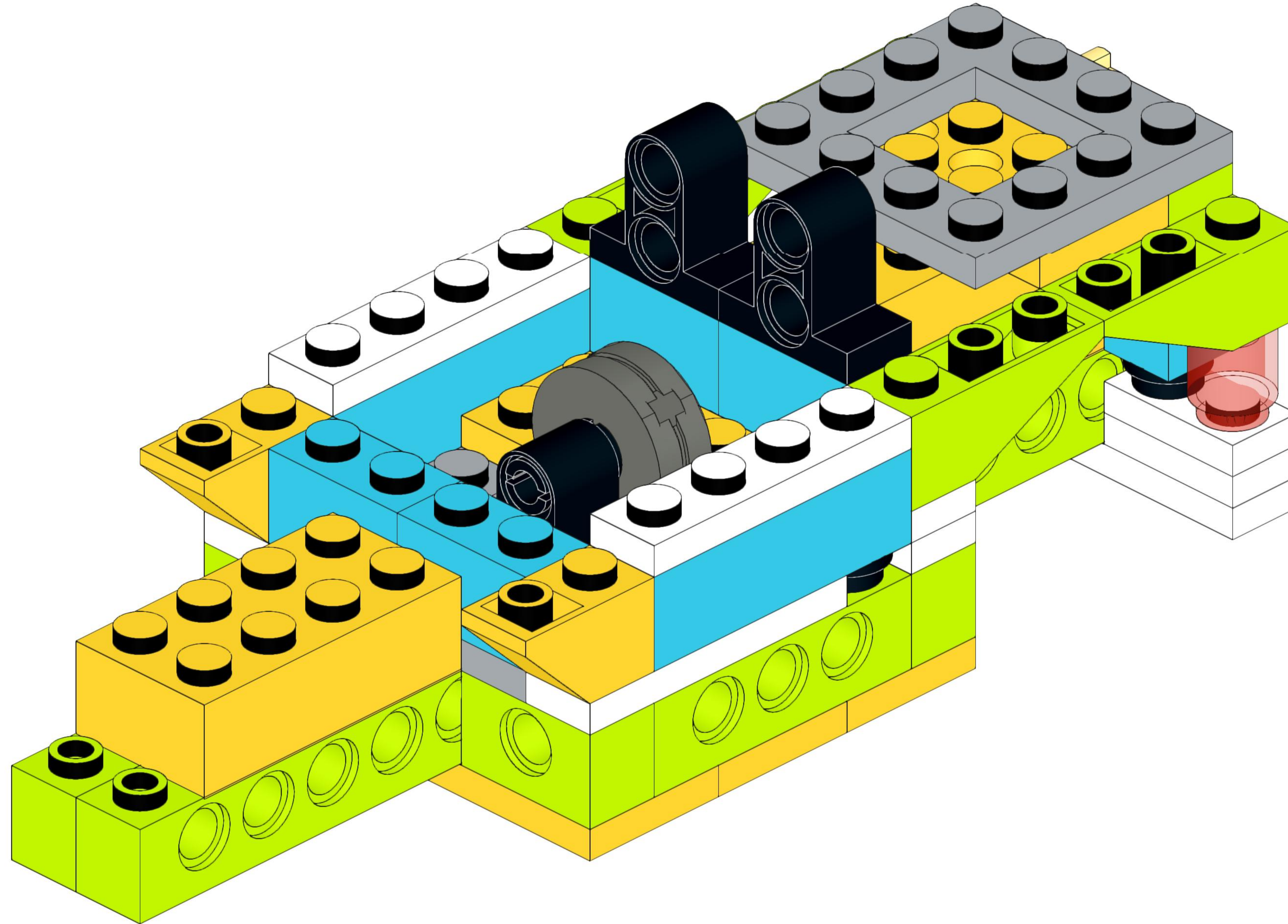
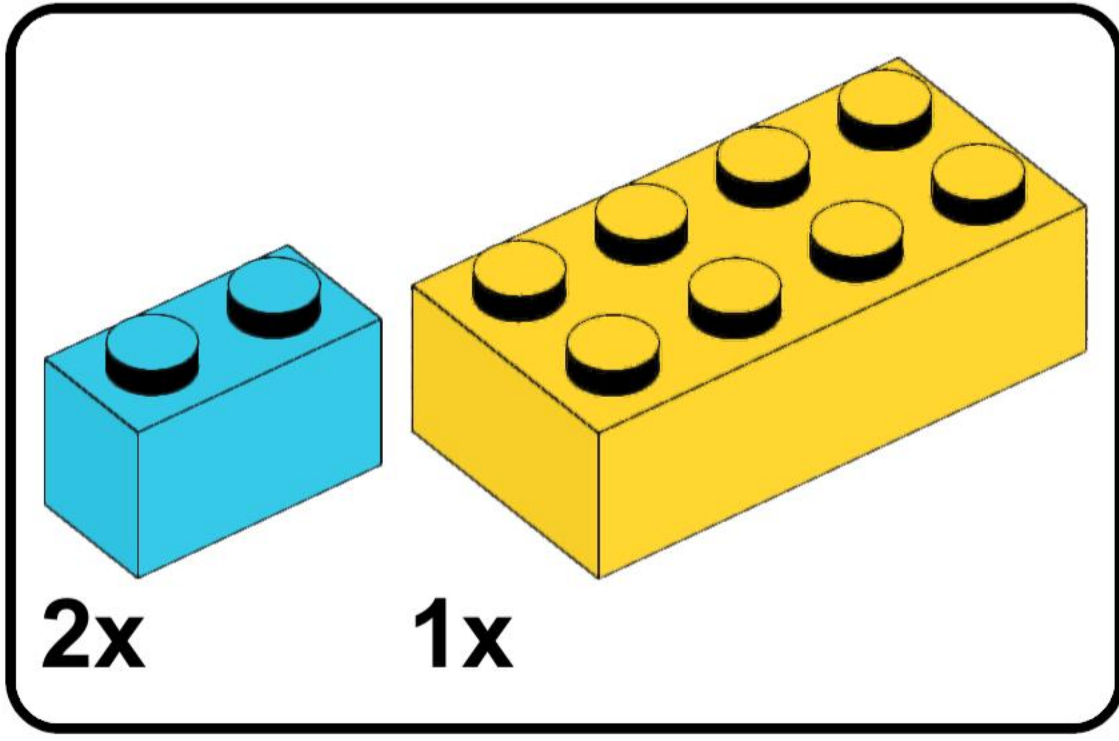
18



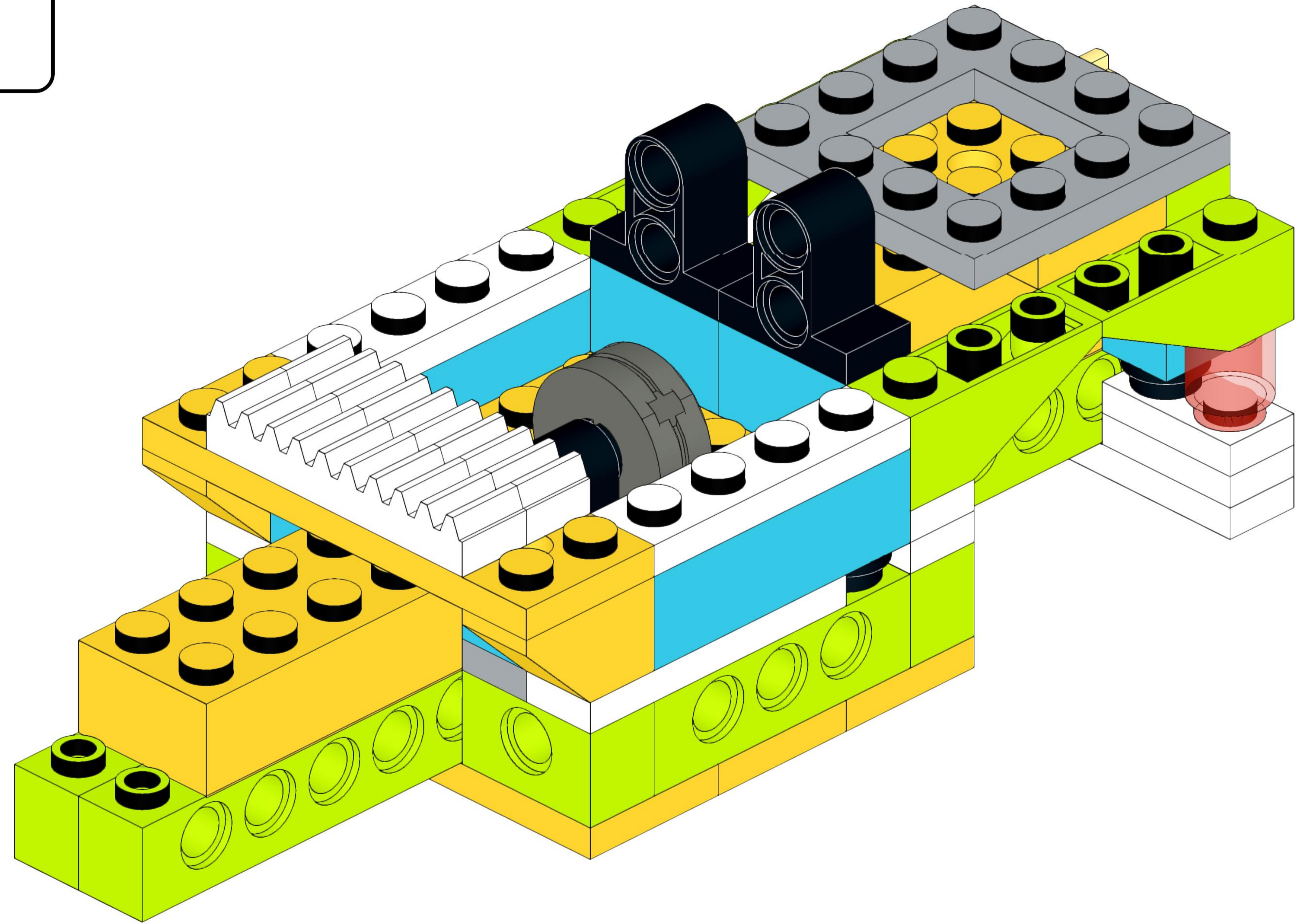
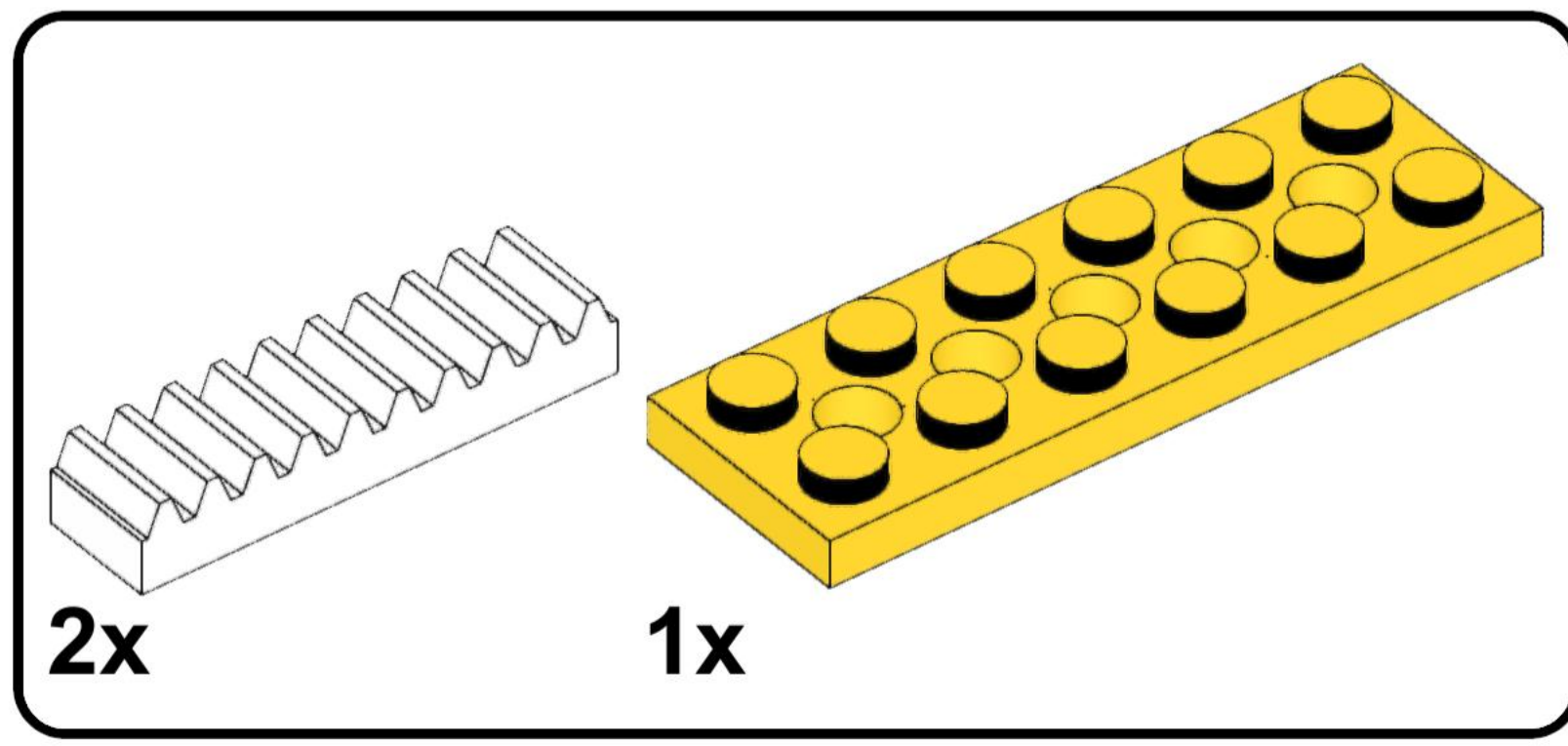
19



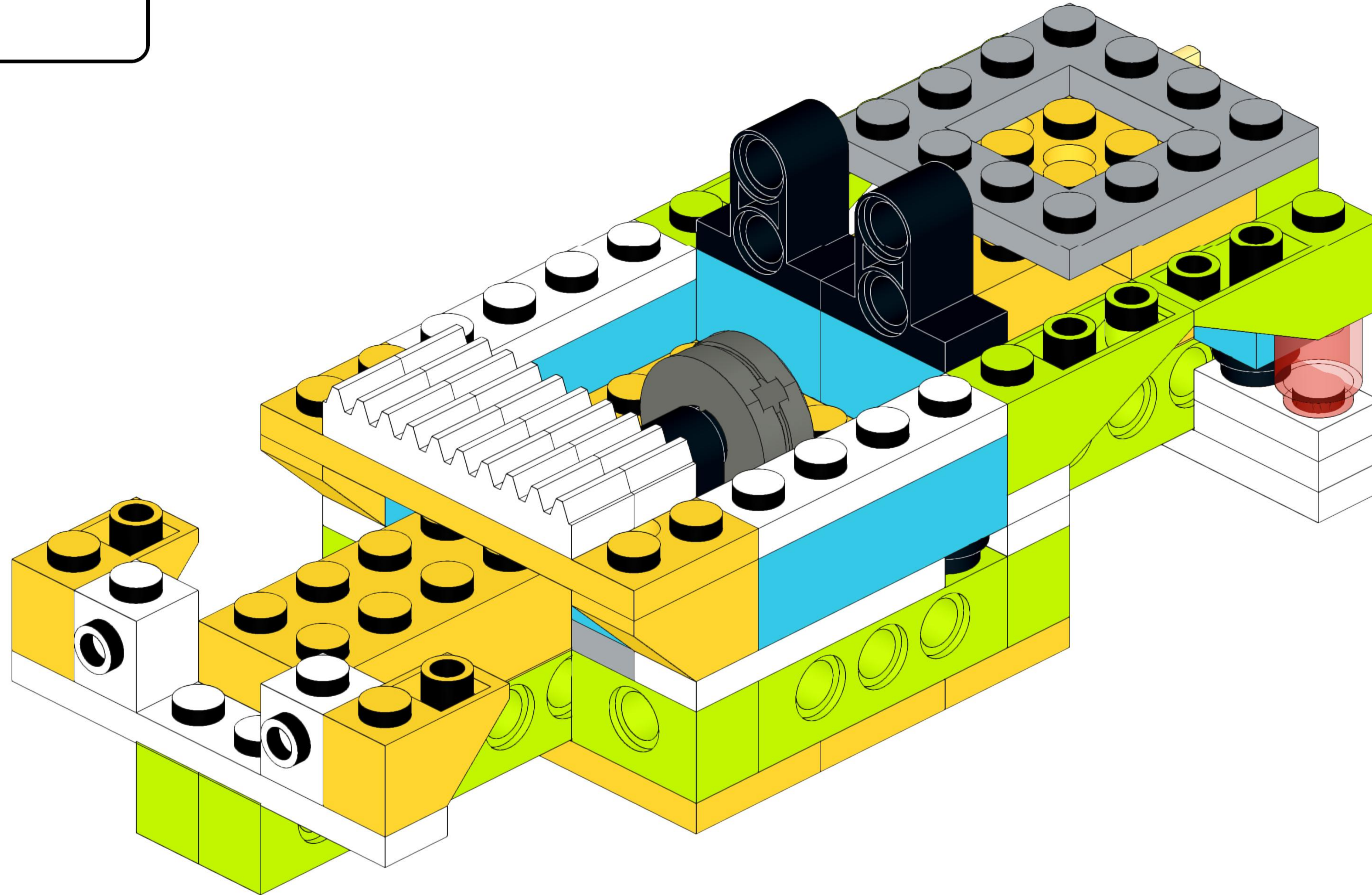
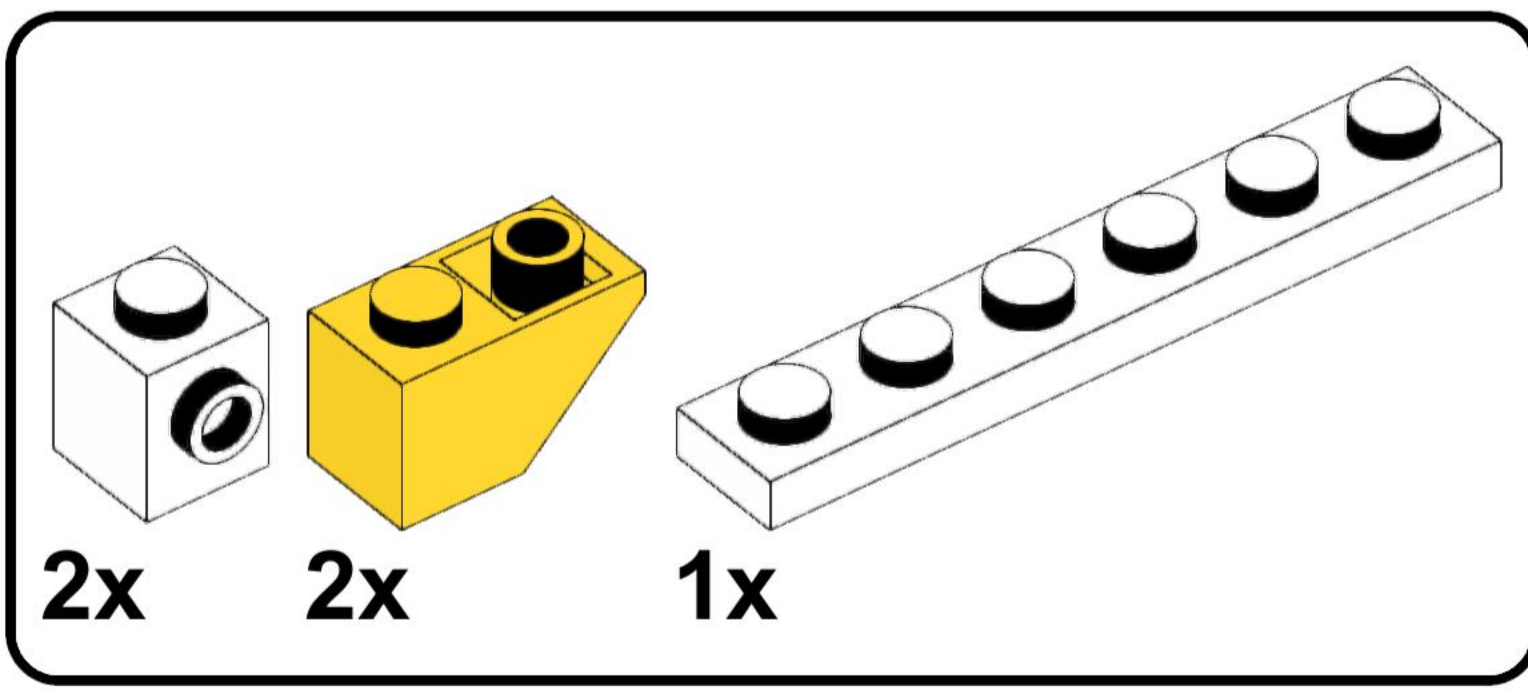
20



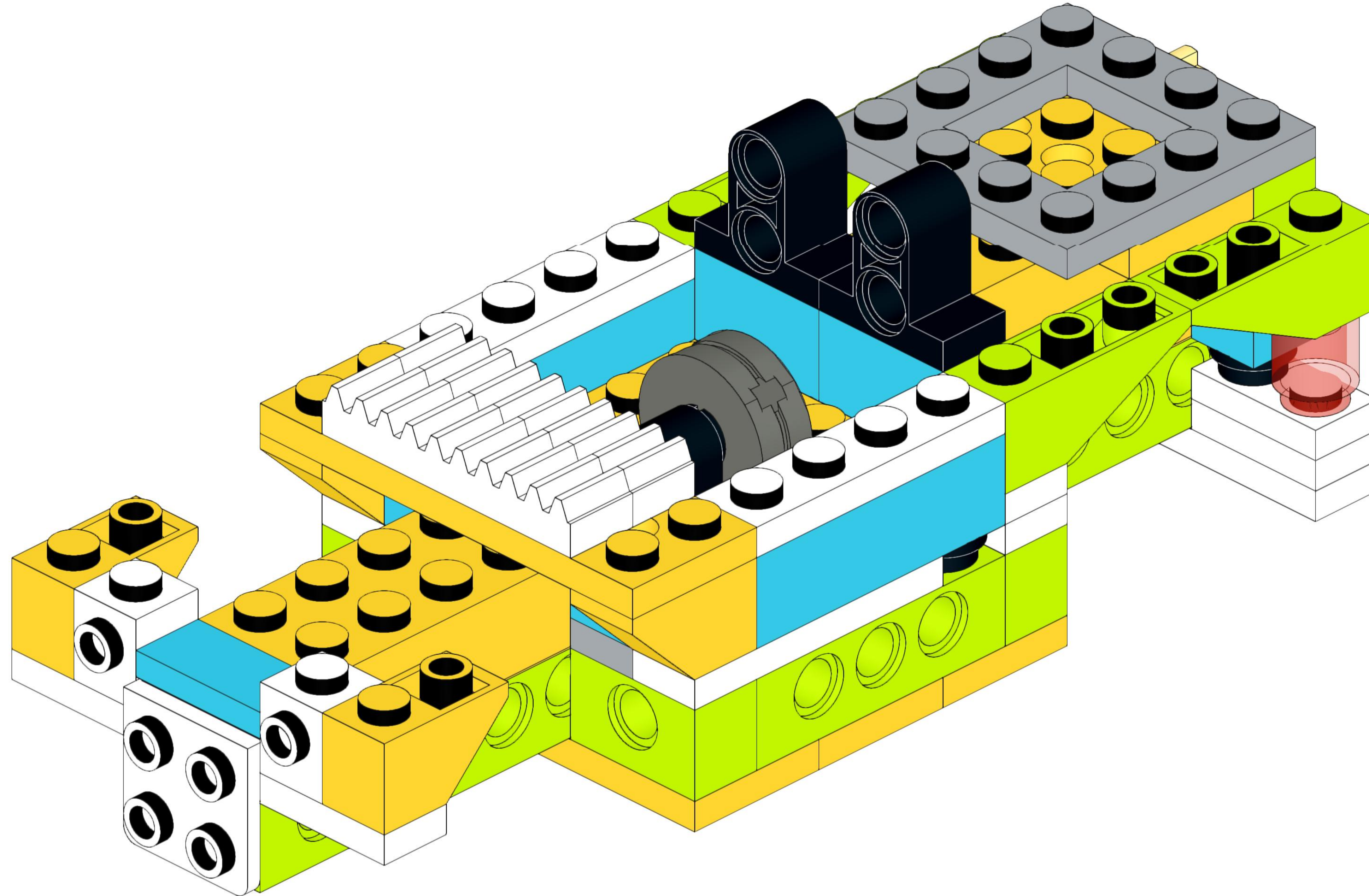
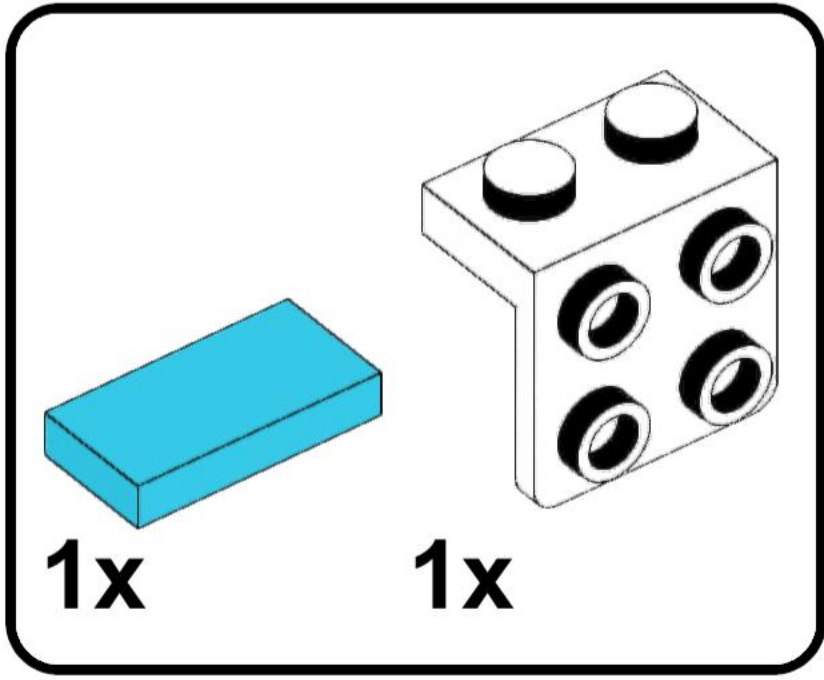
21



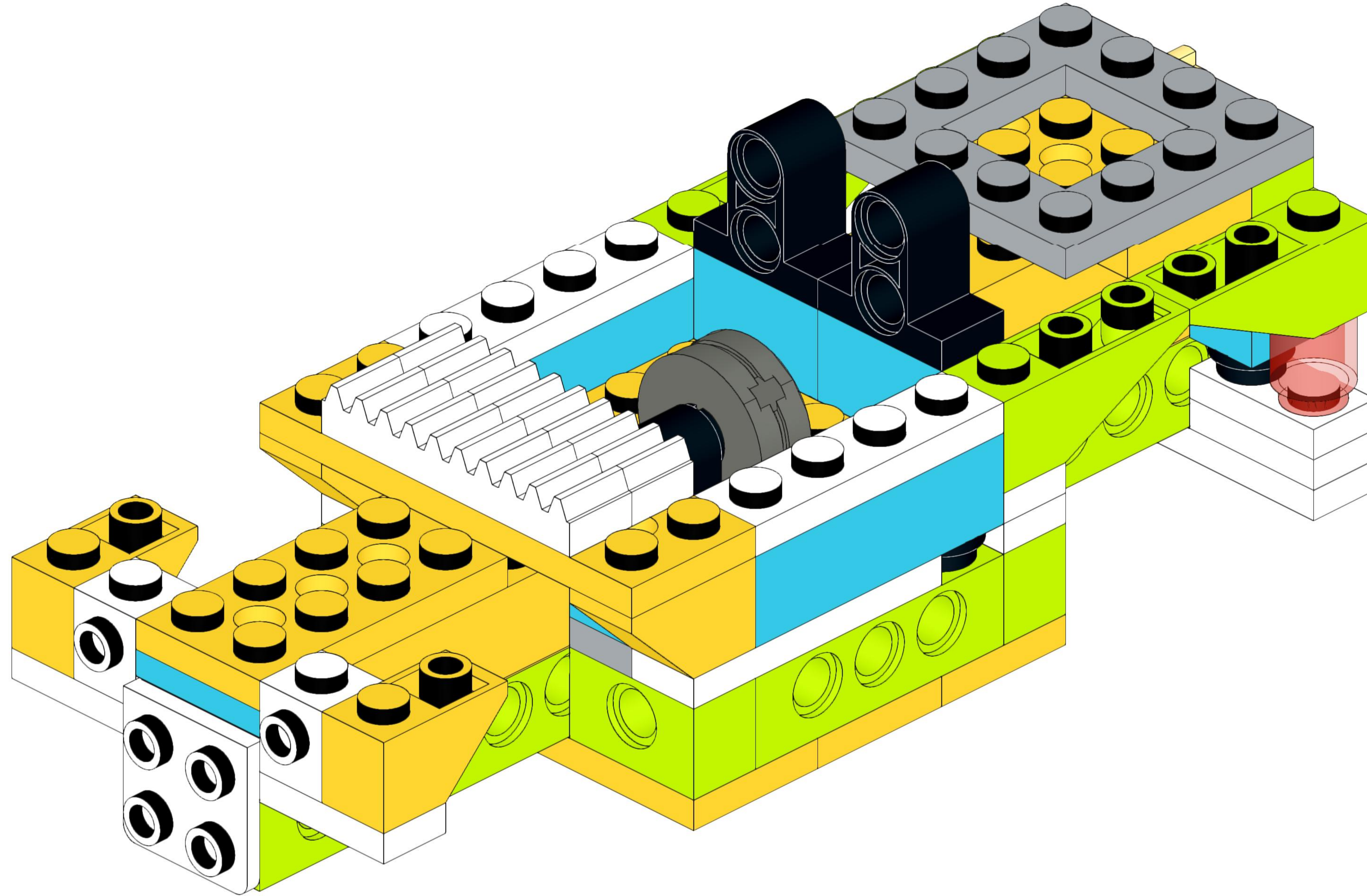
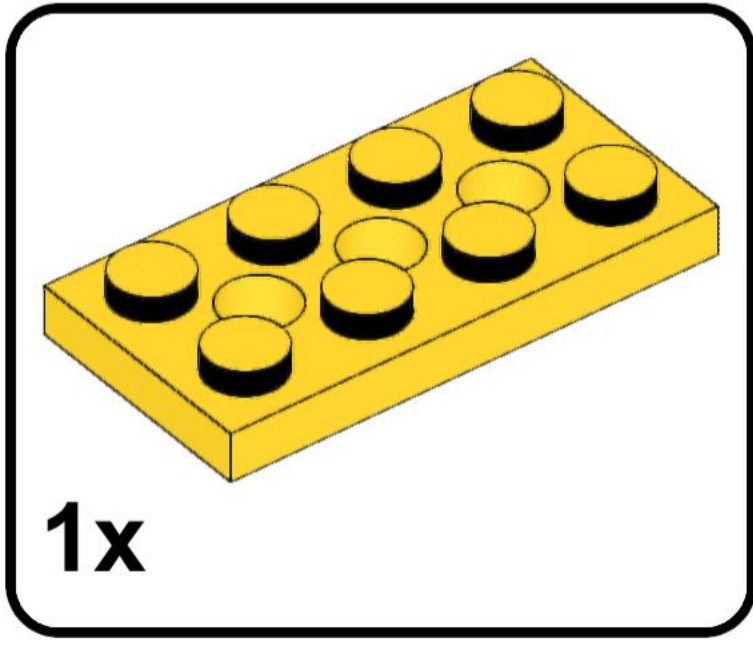
22



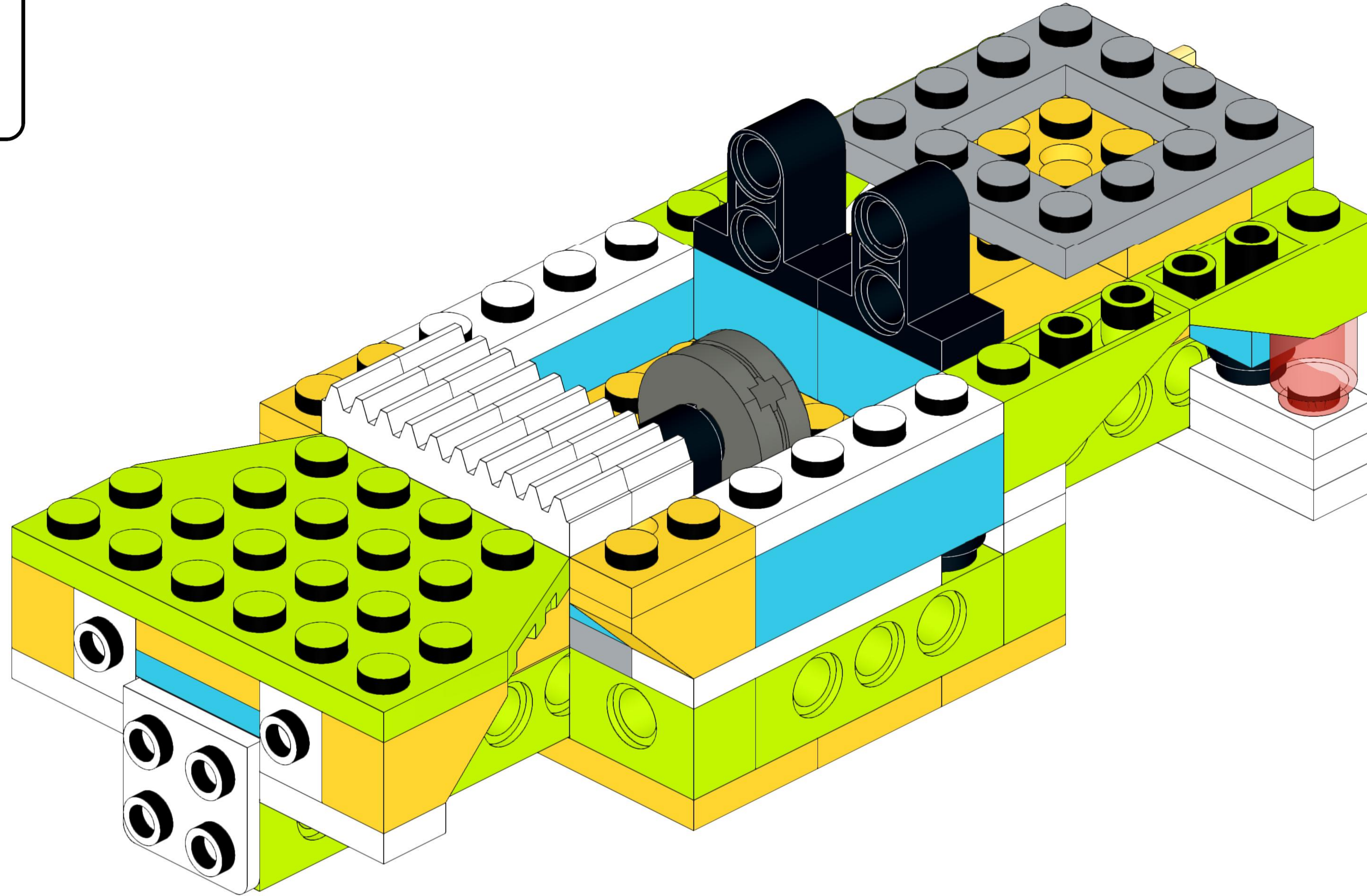
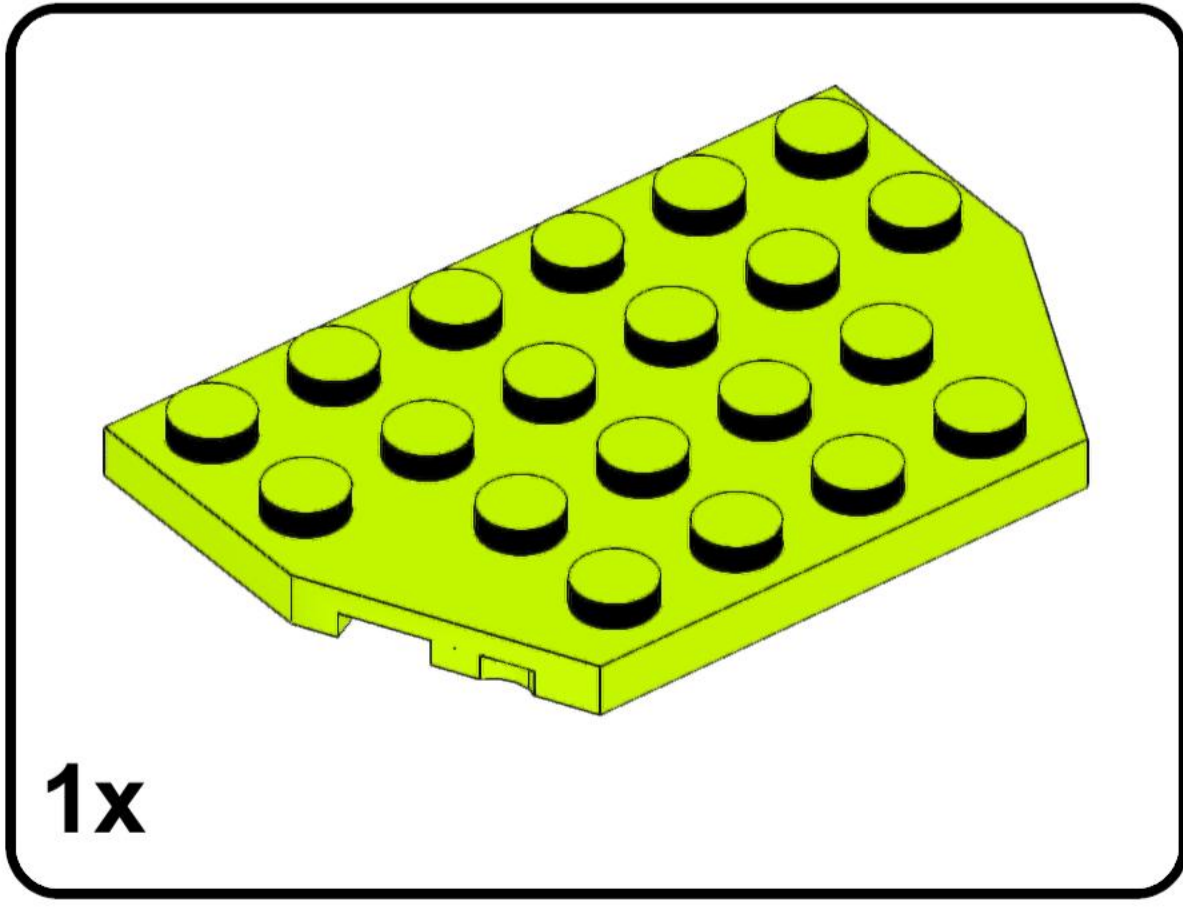
23



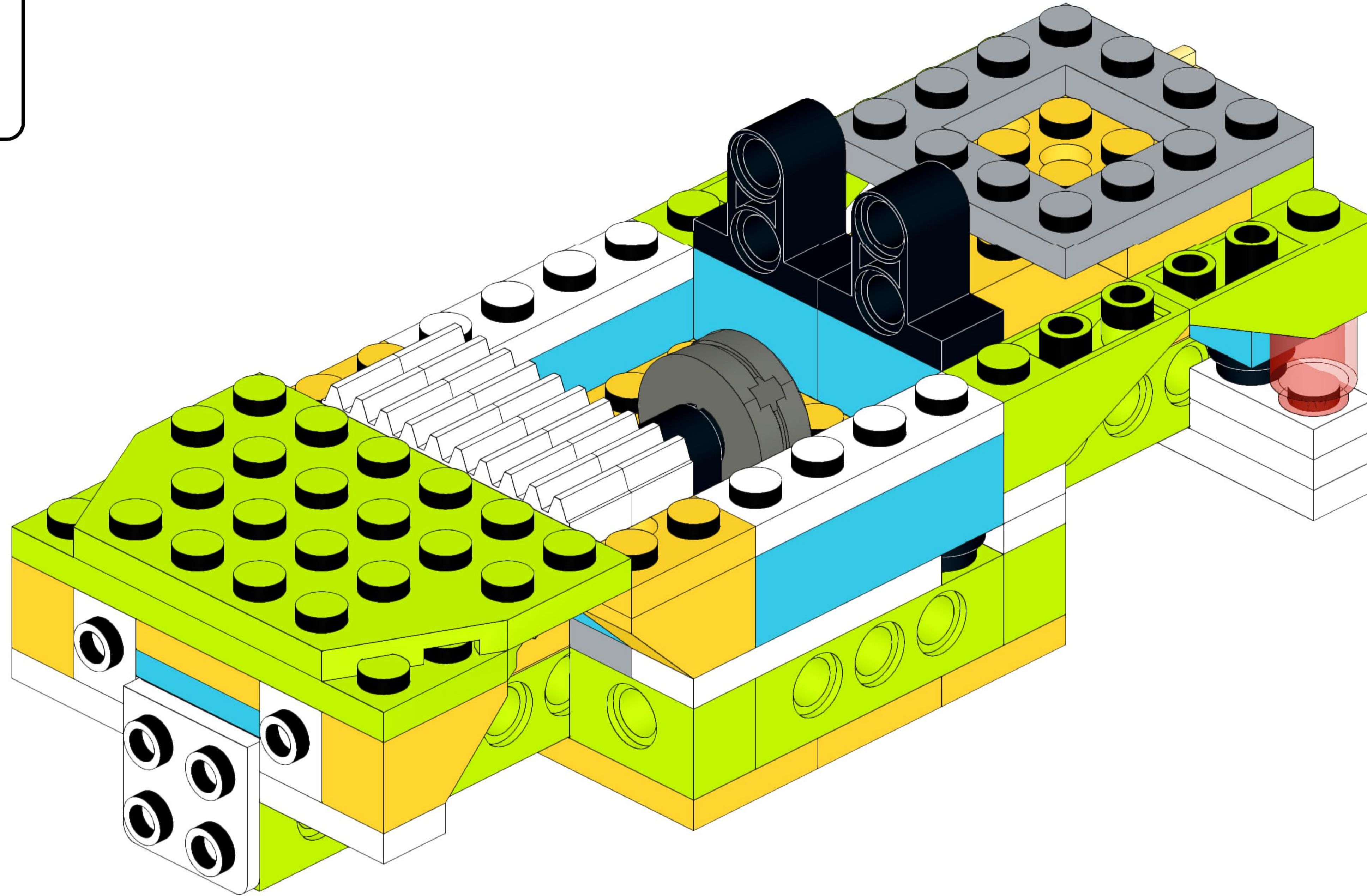
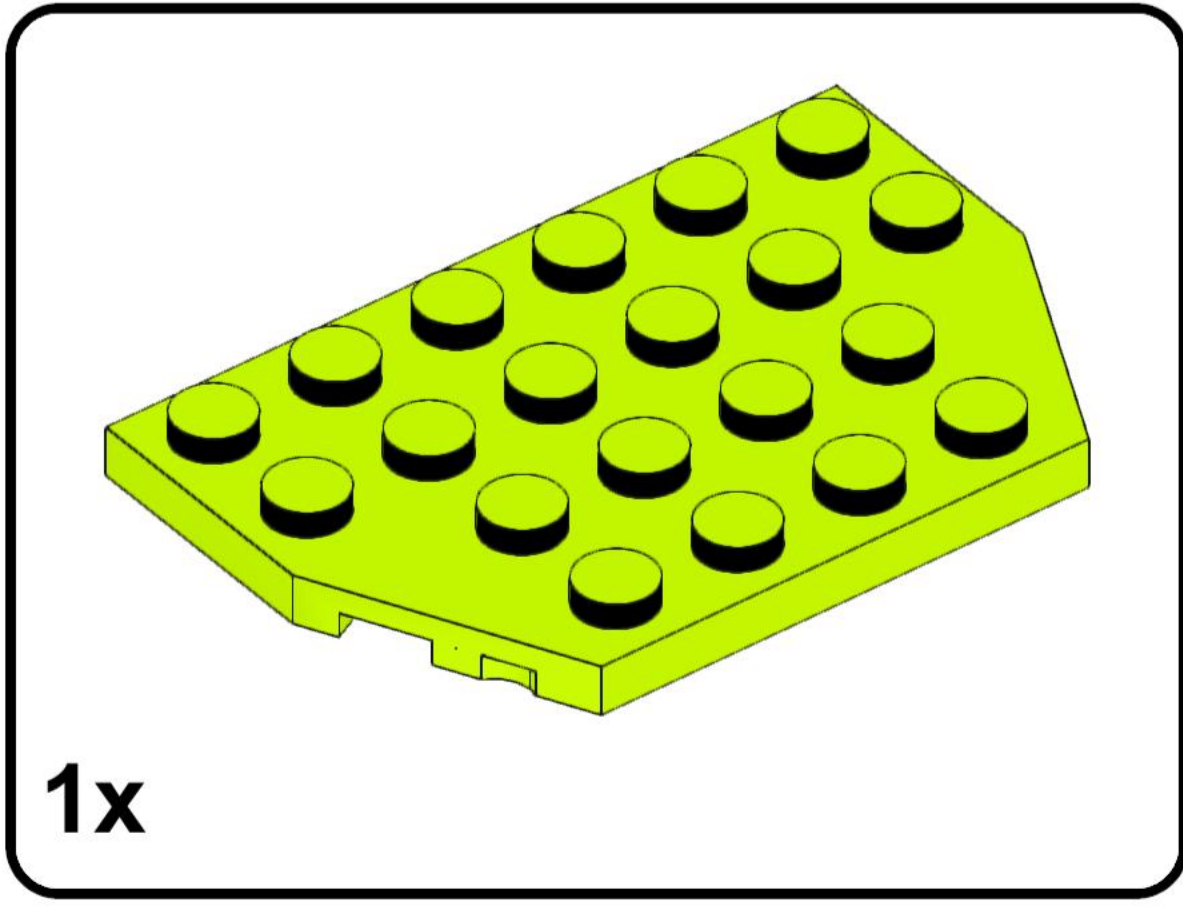
24



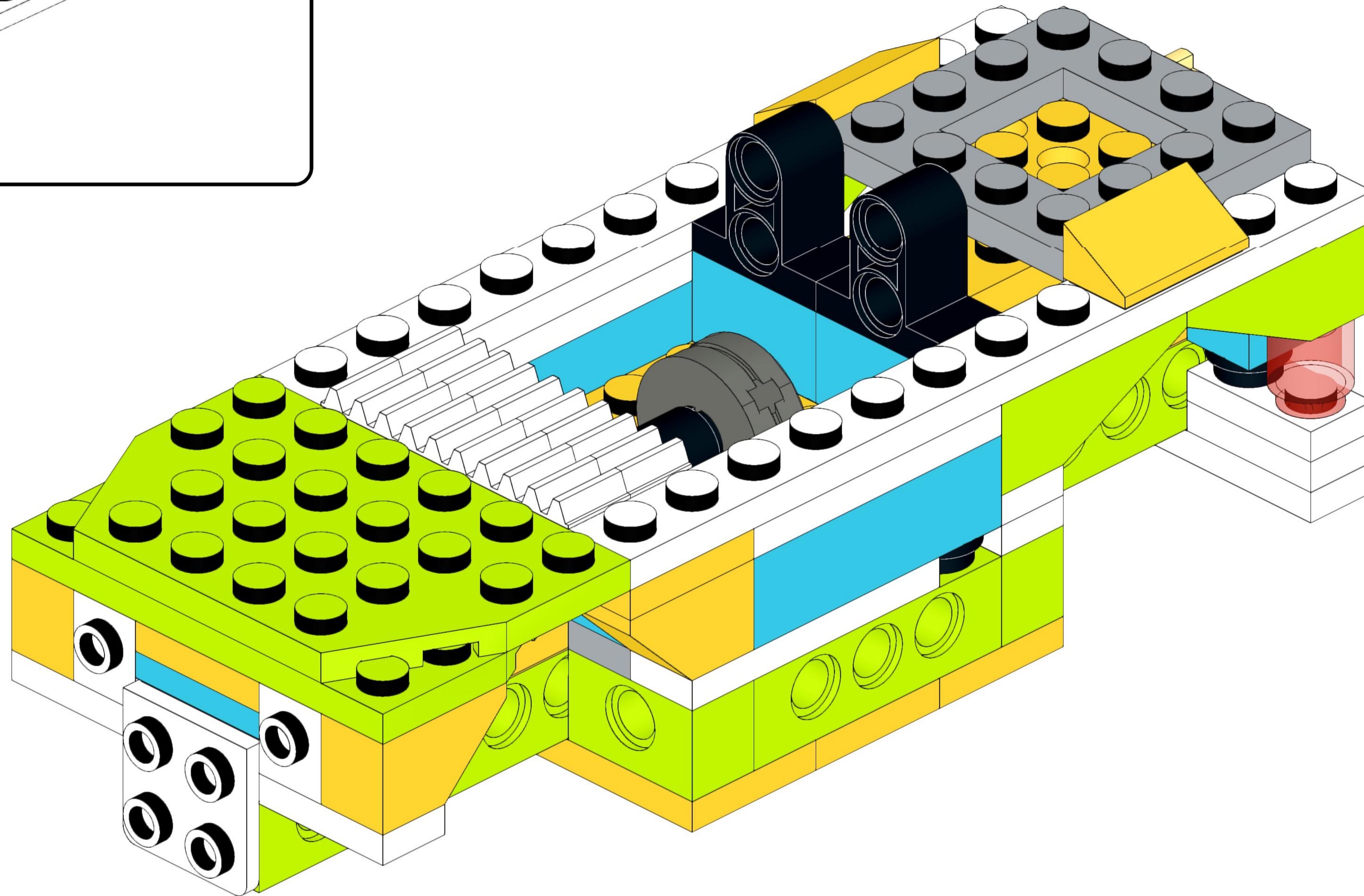
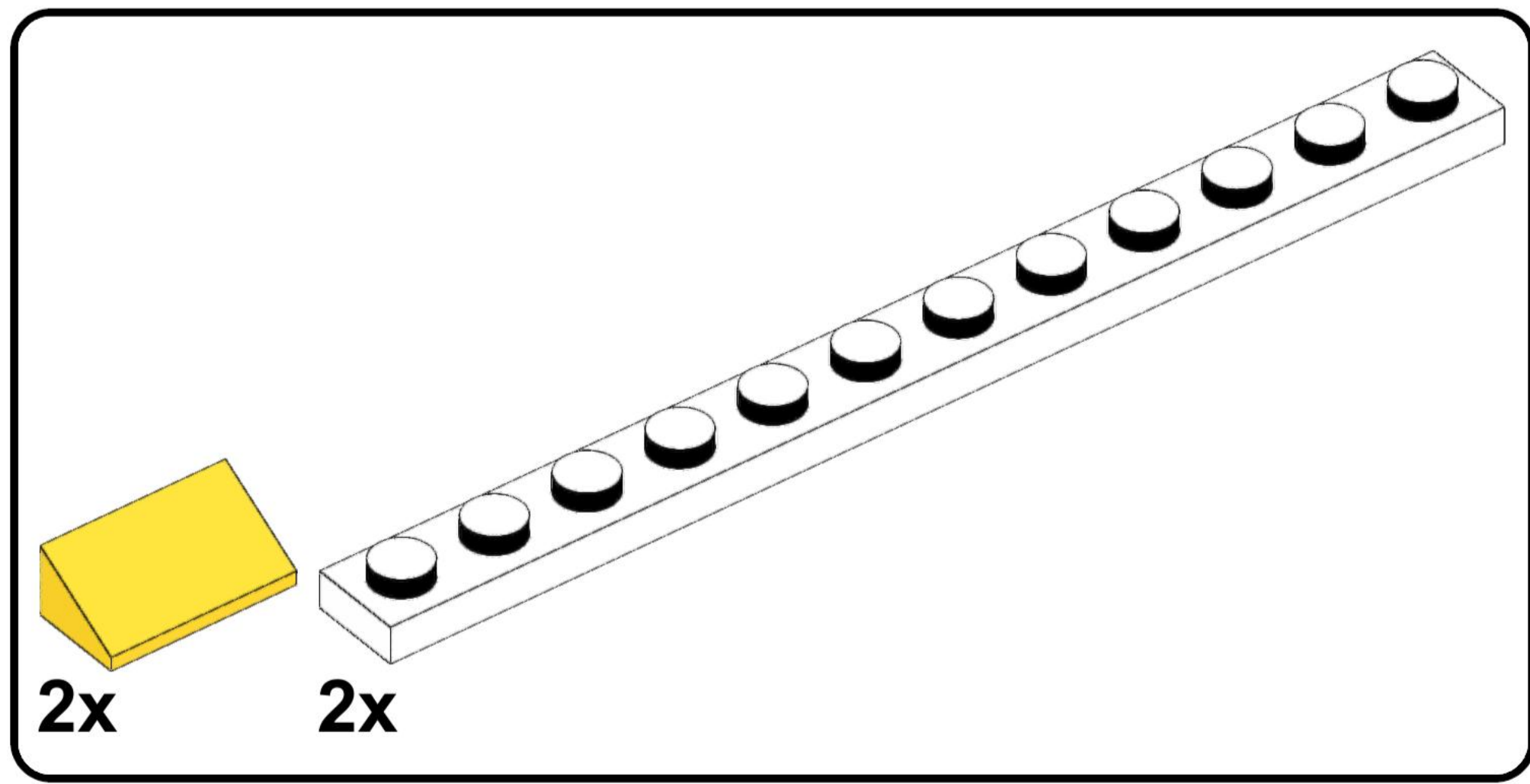
25



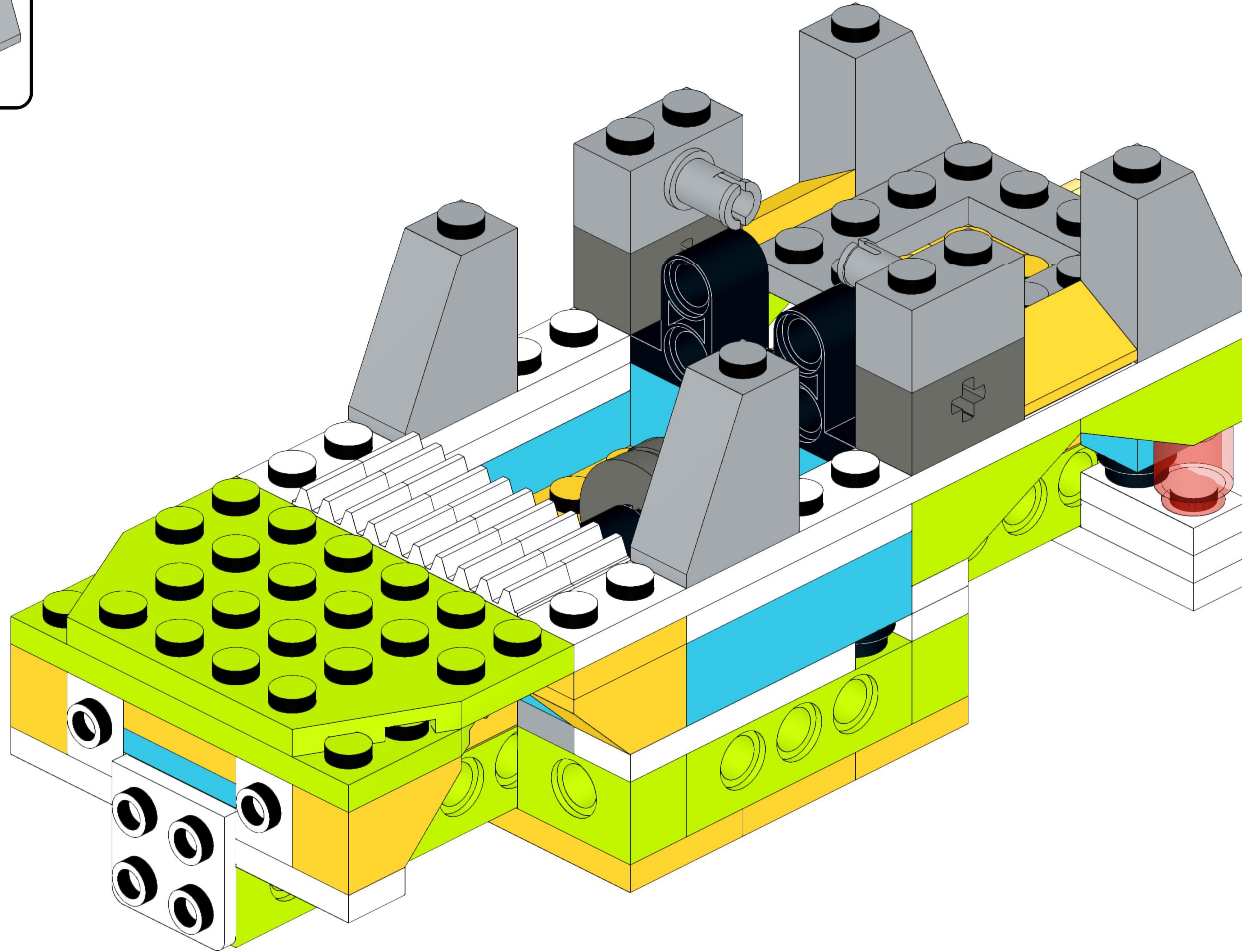
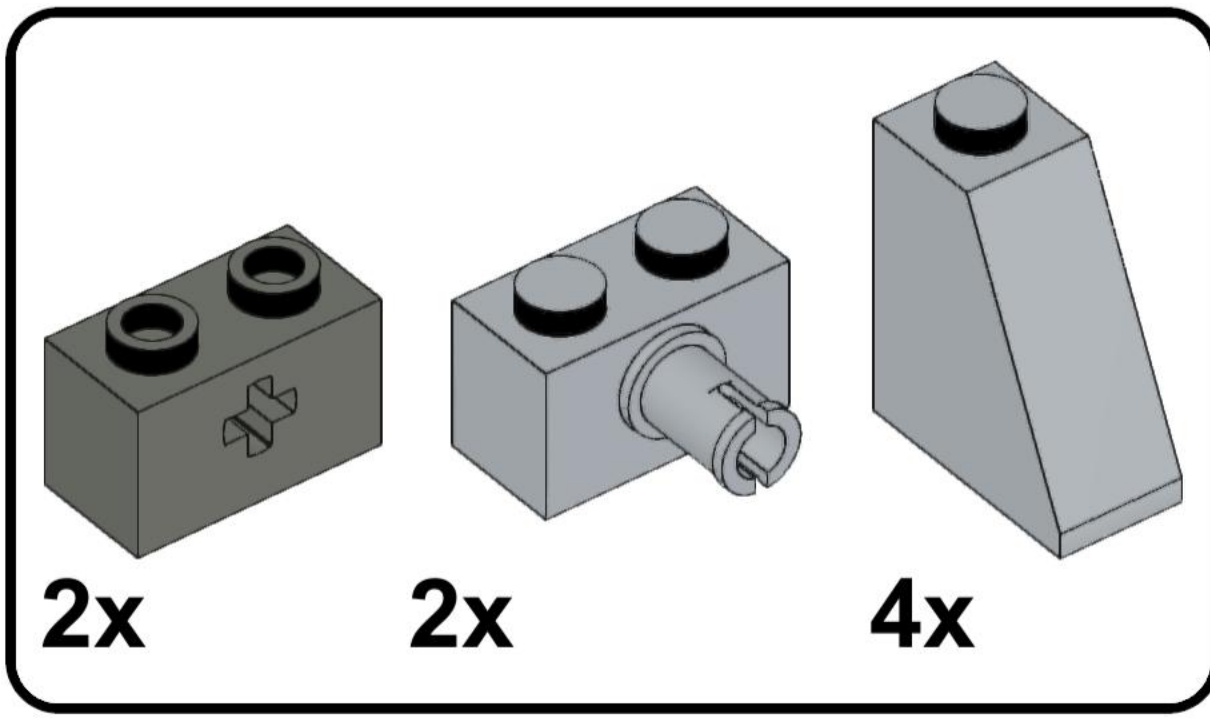
26



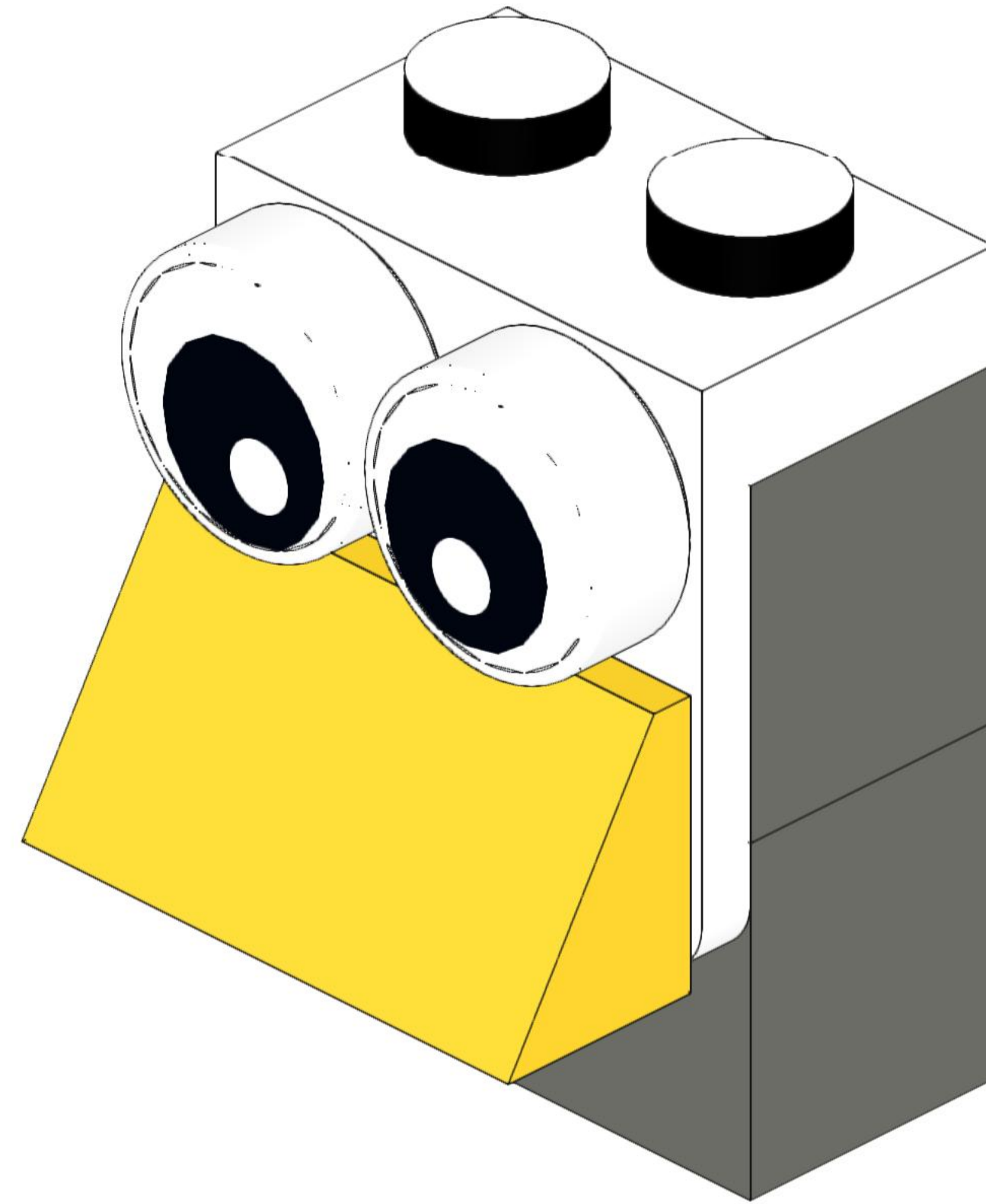
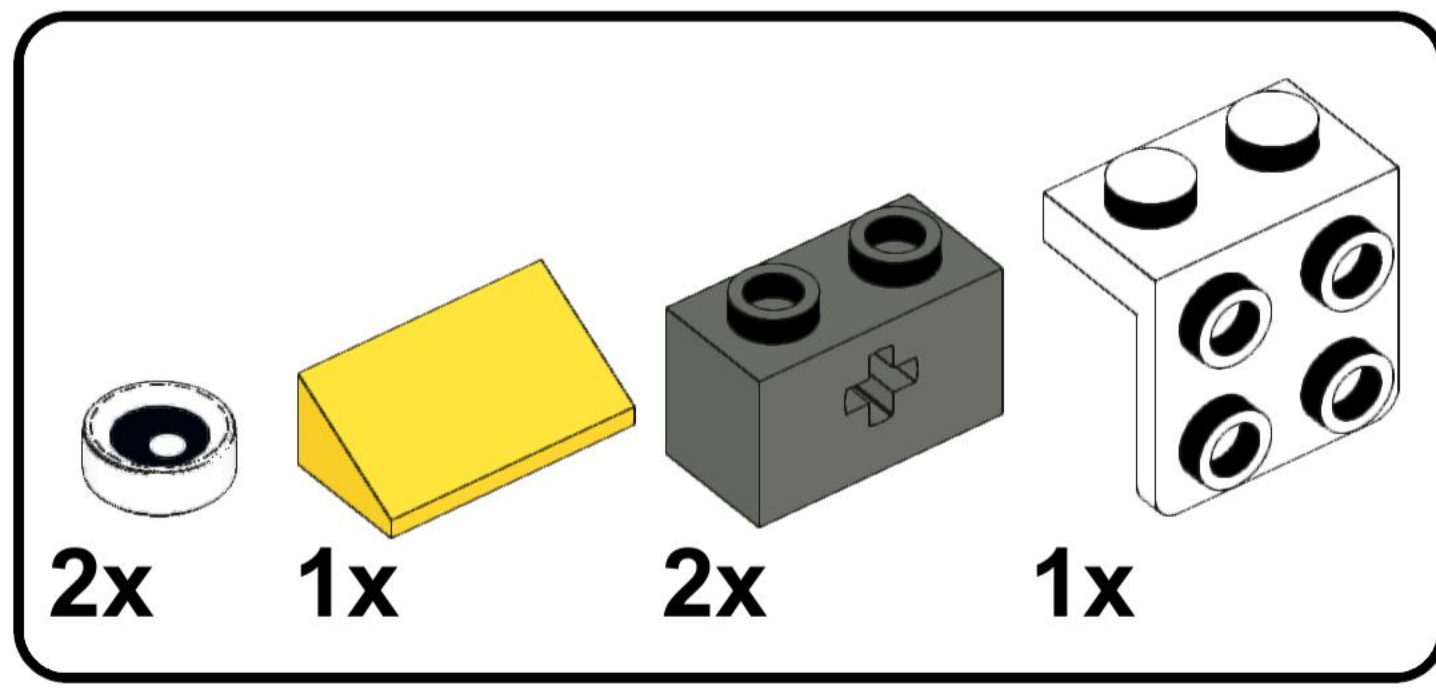
27



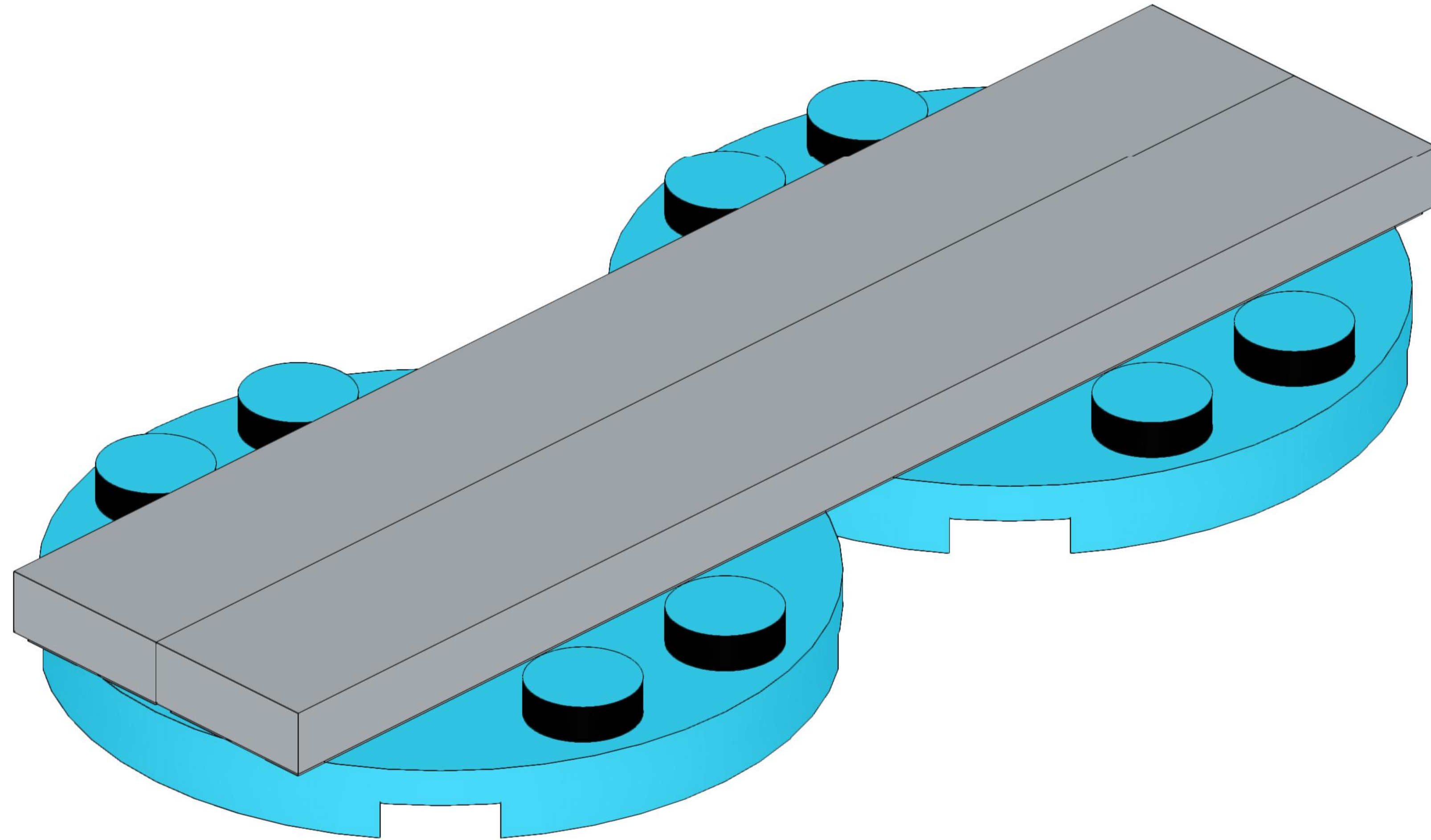
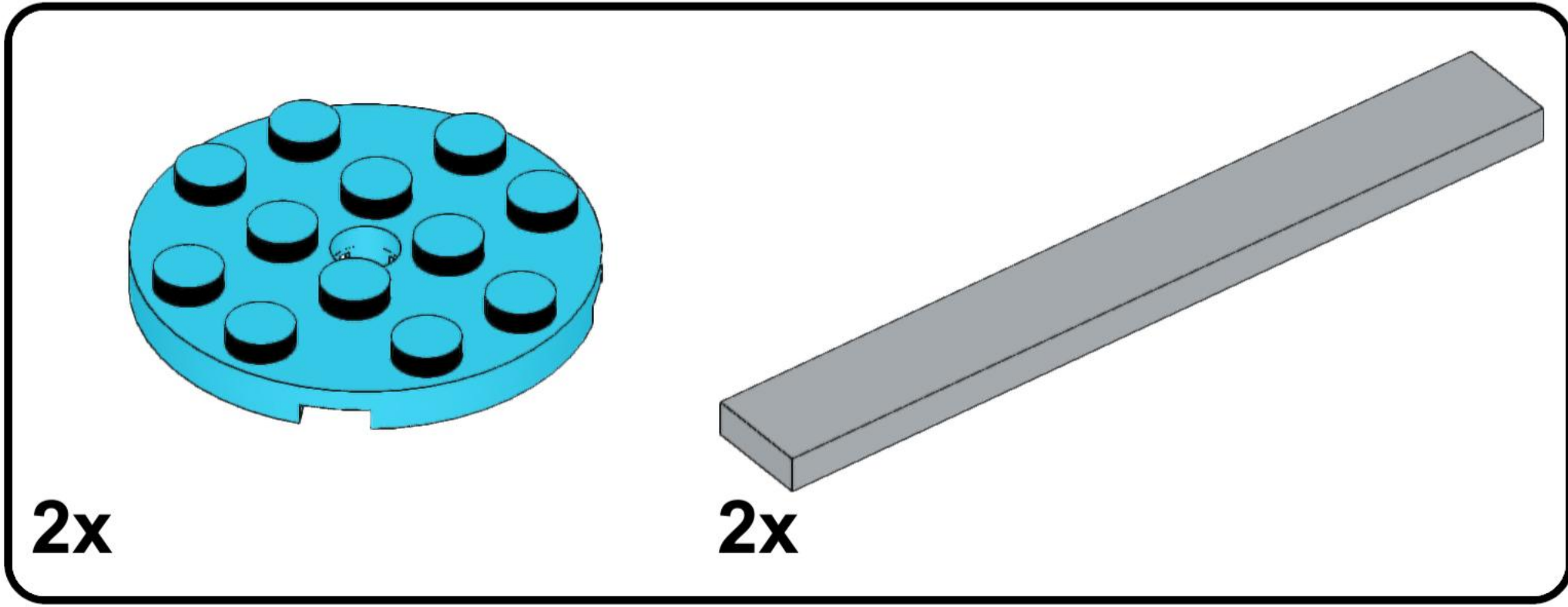
28



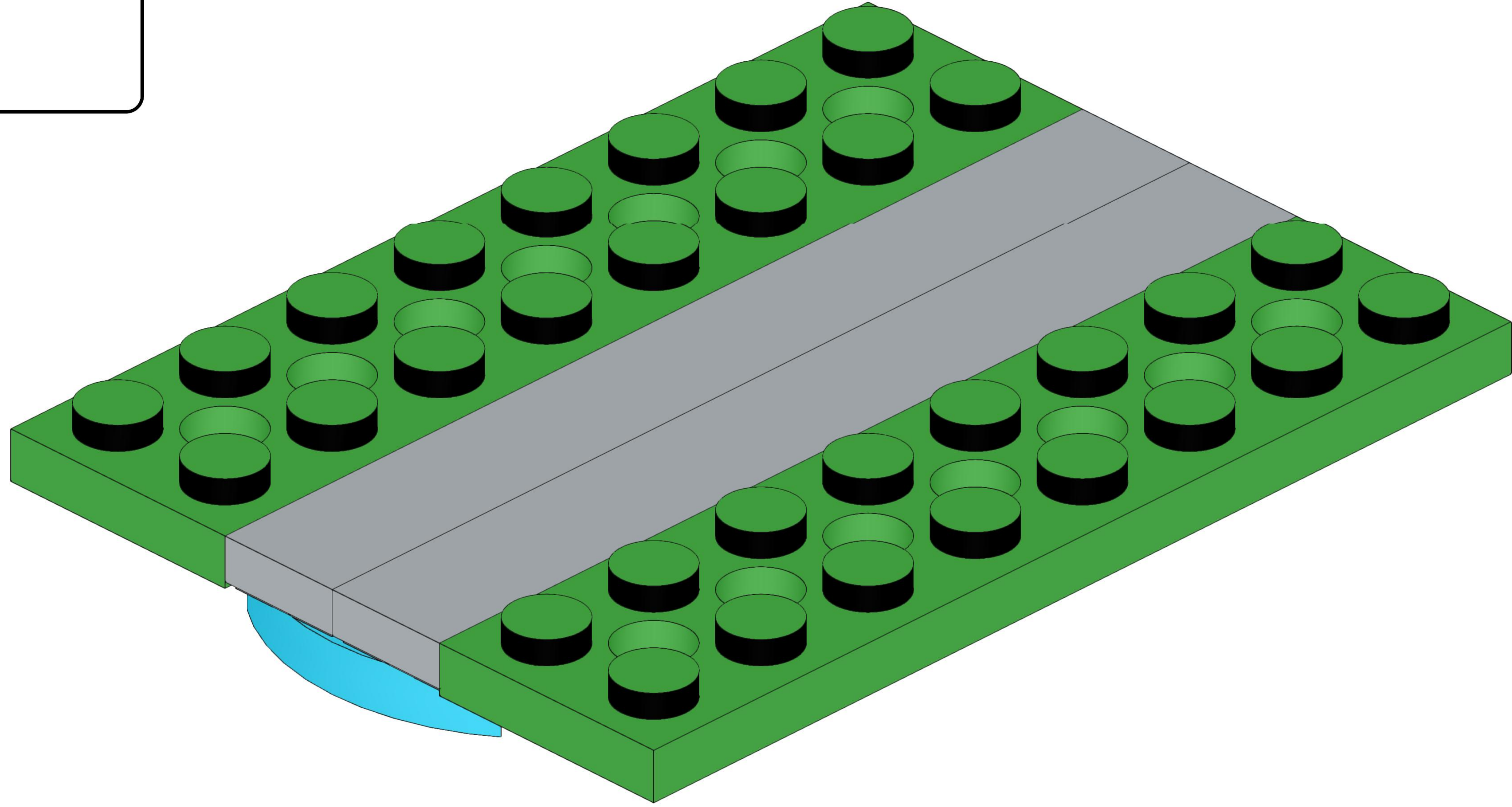
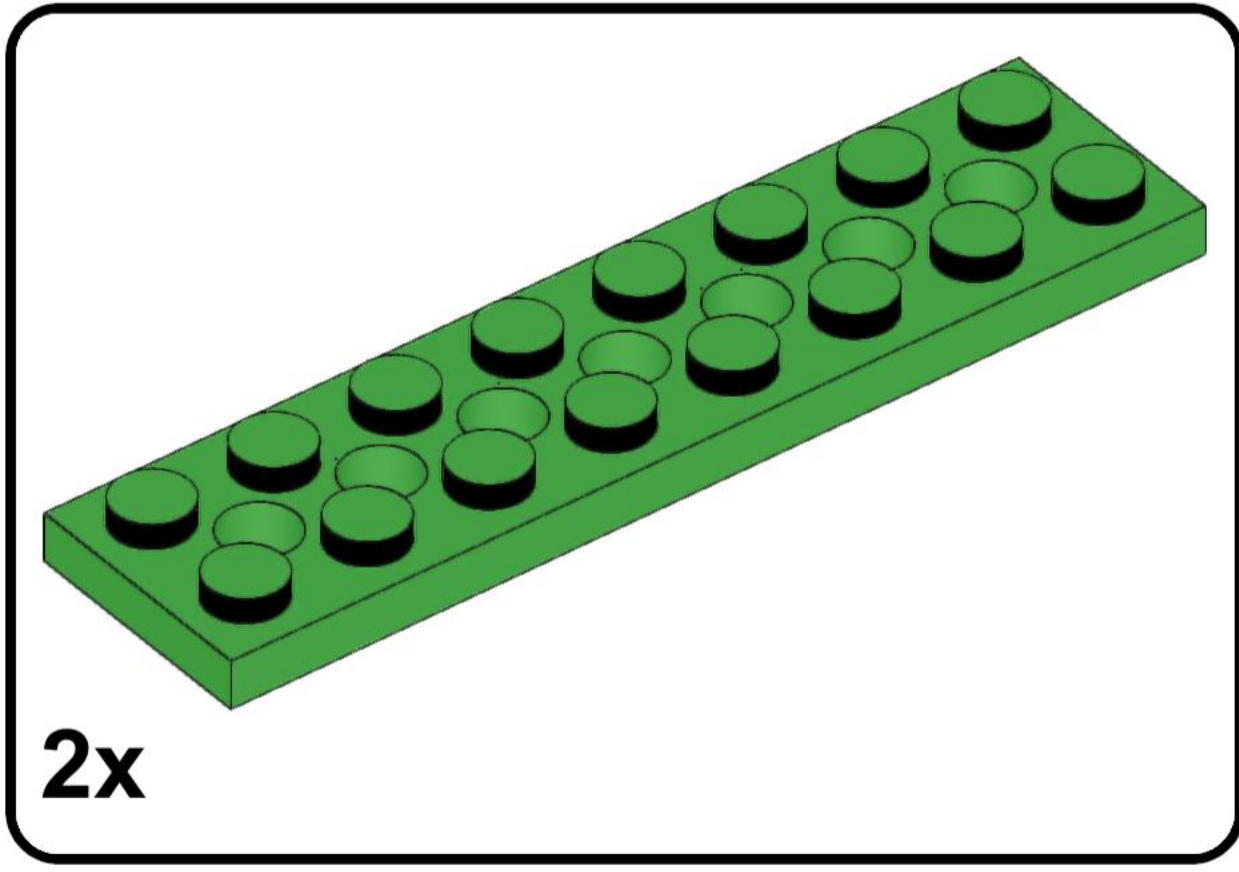
29



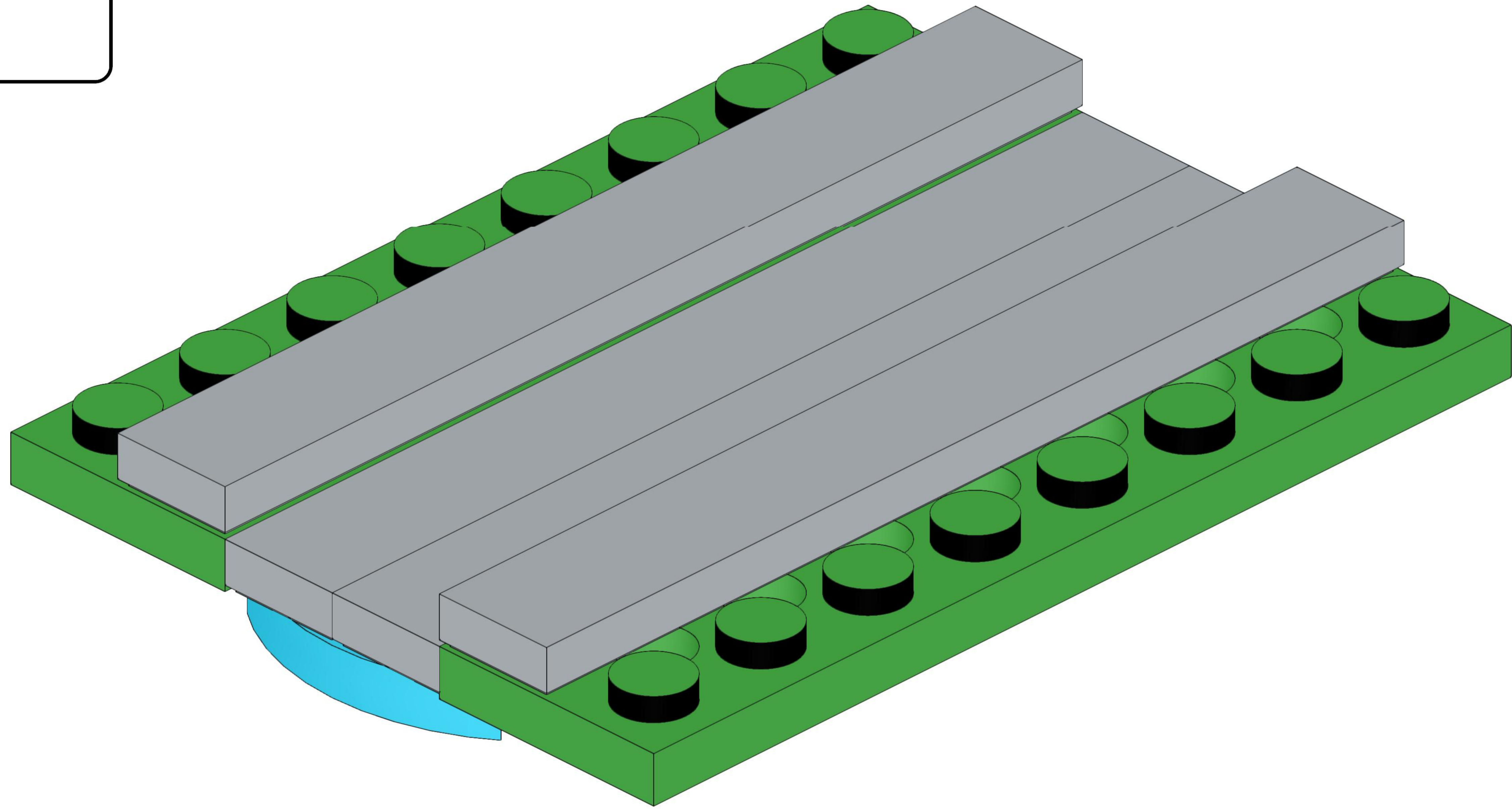
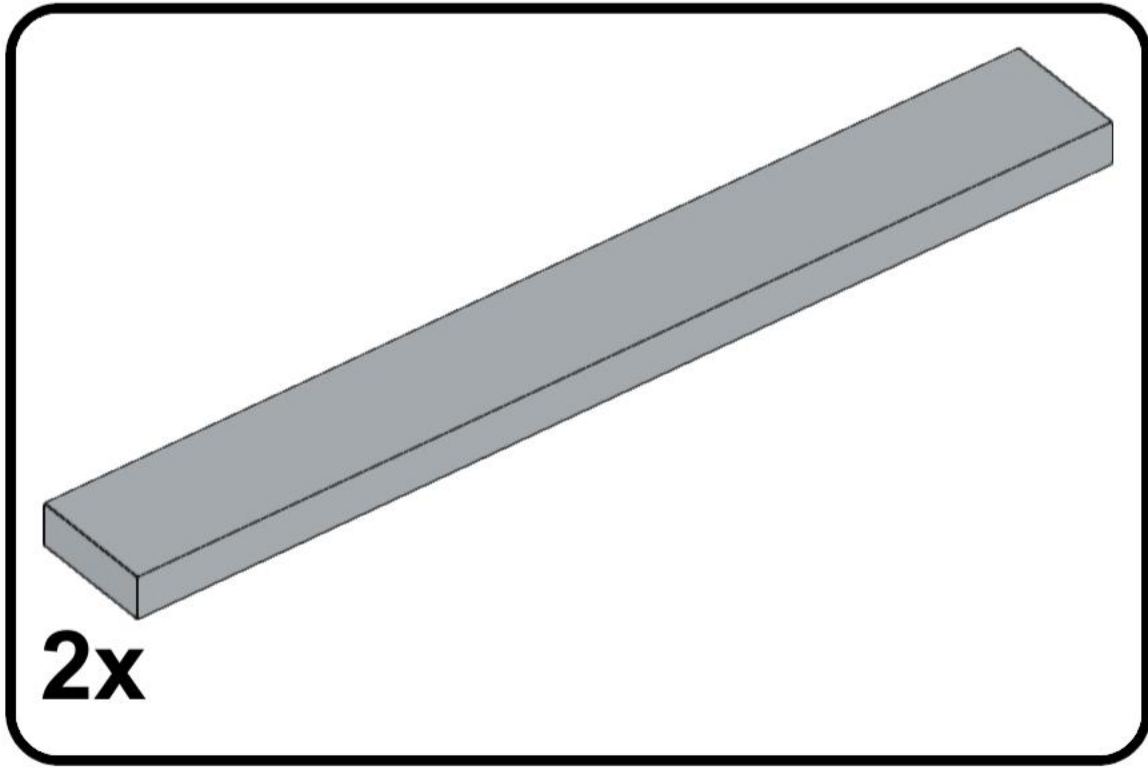
30

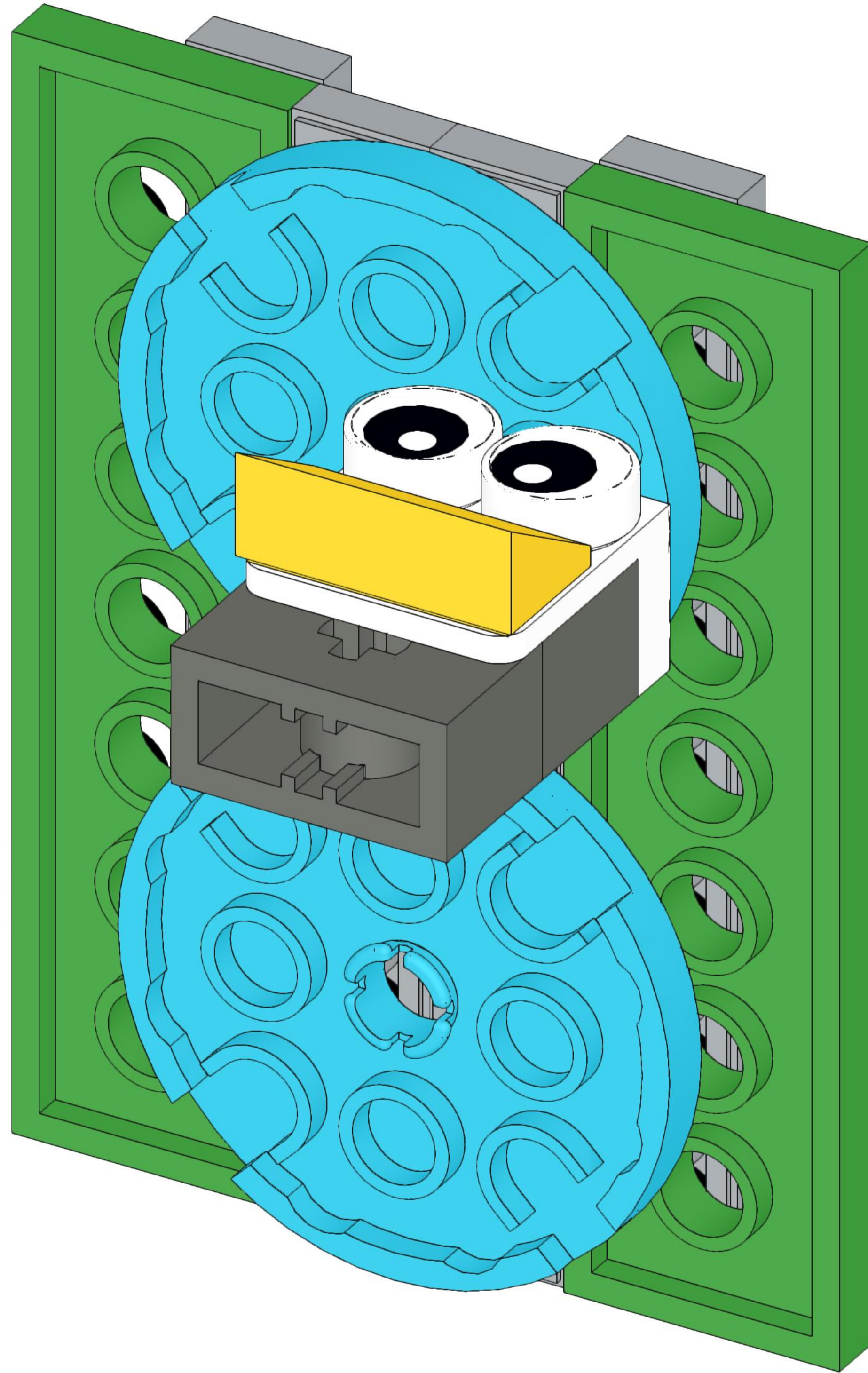


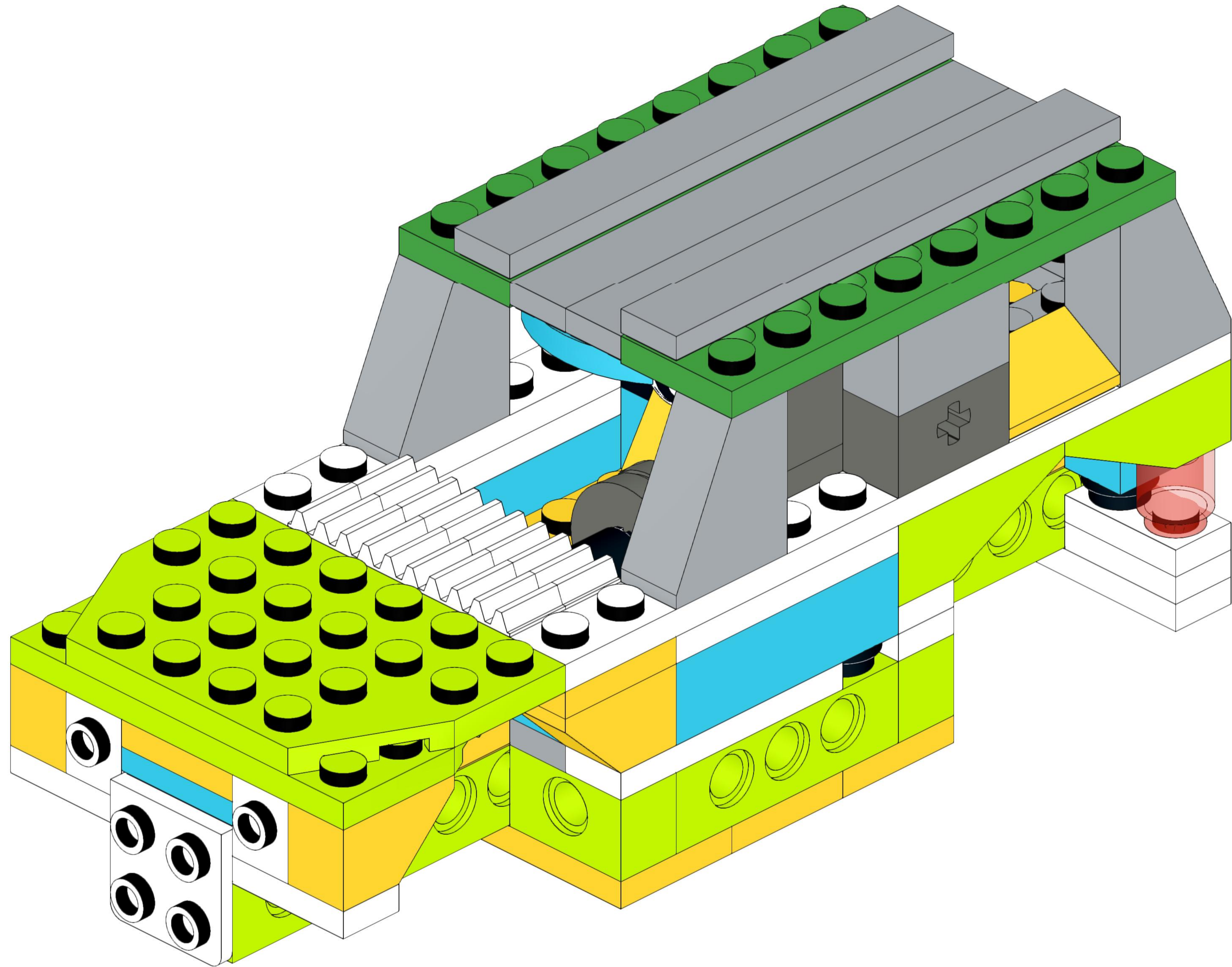
31



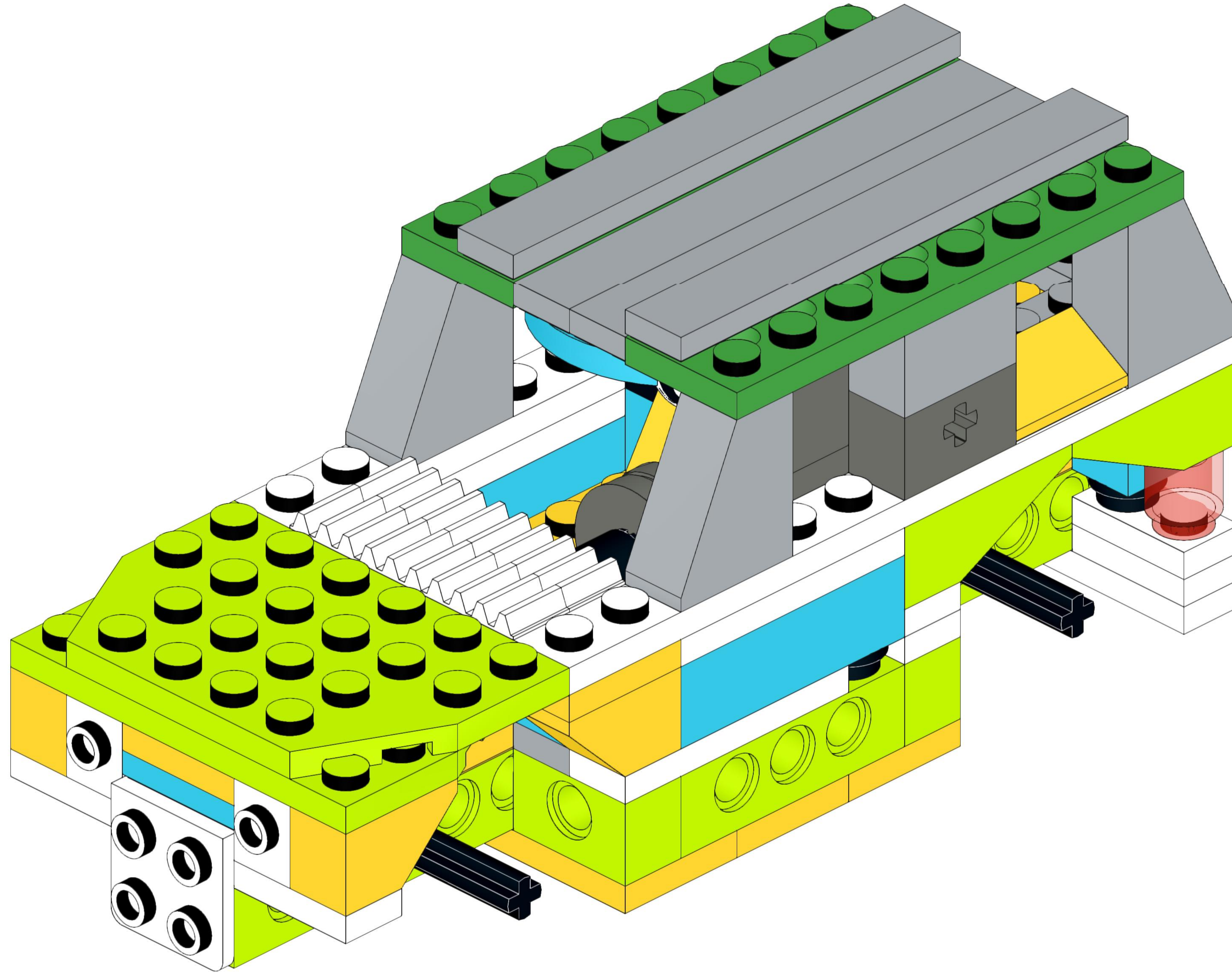
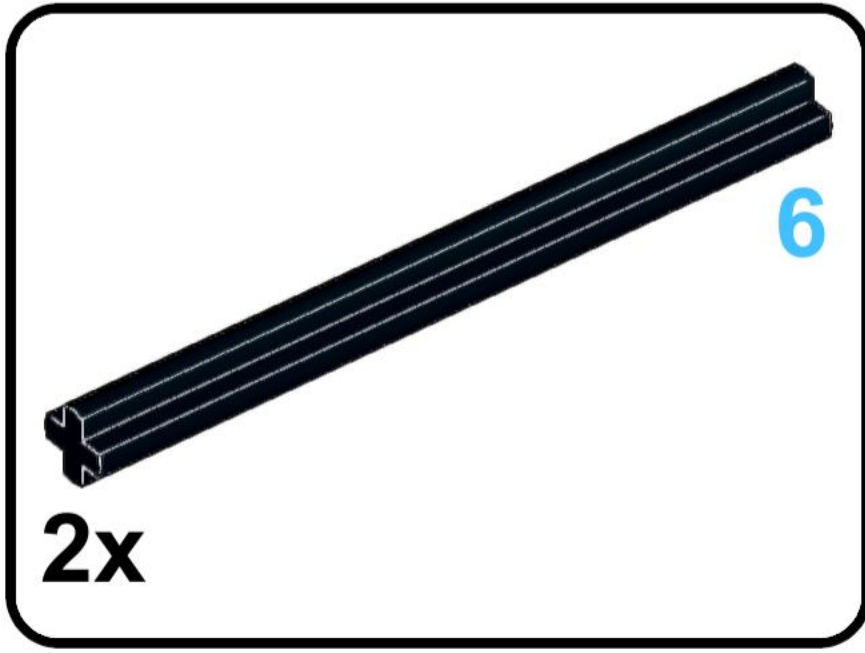
32



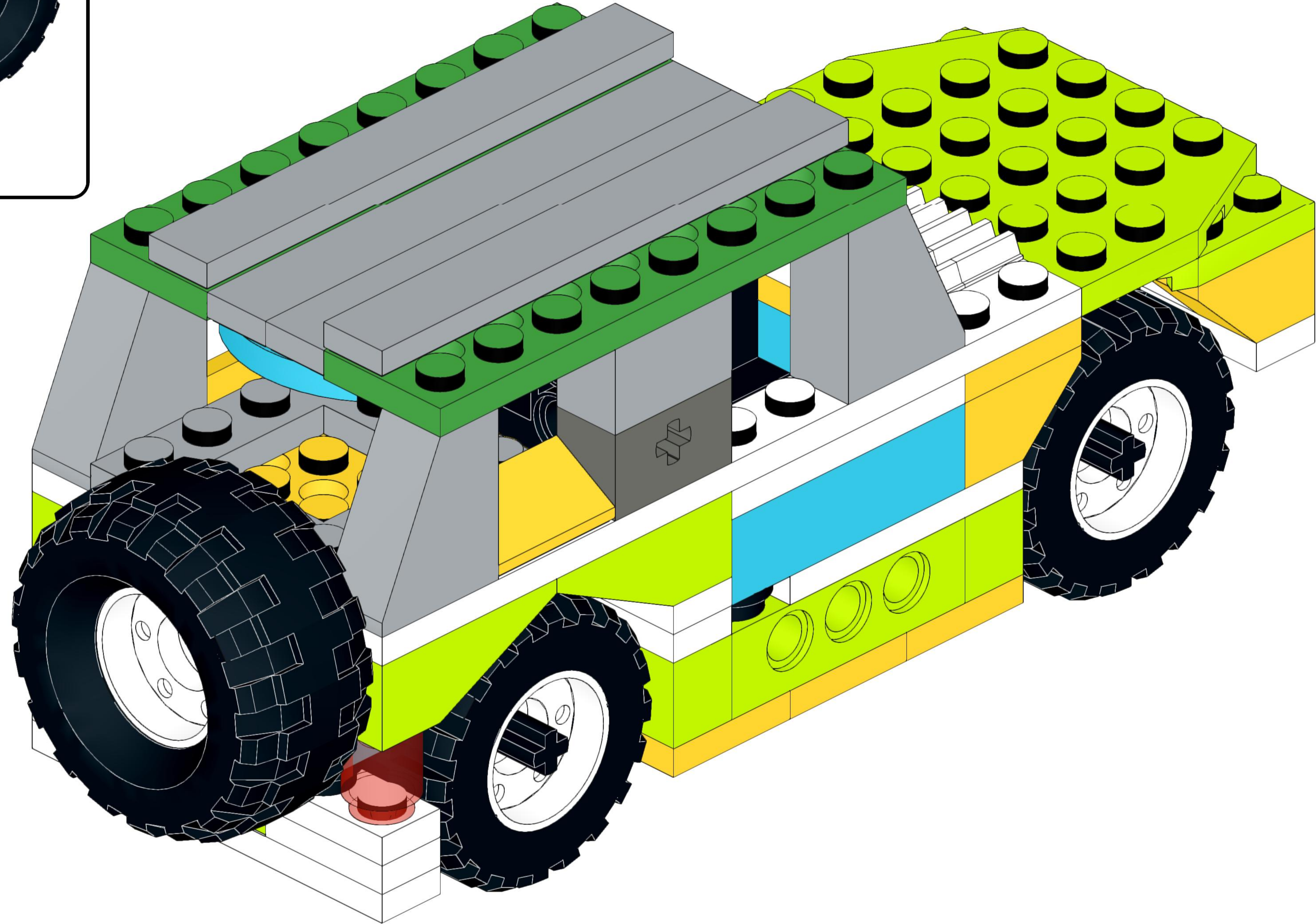
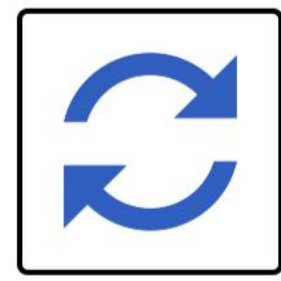
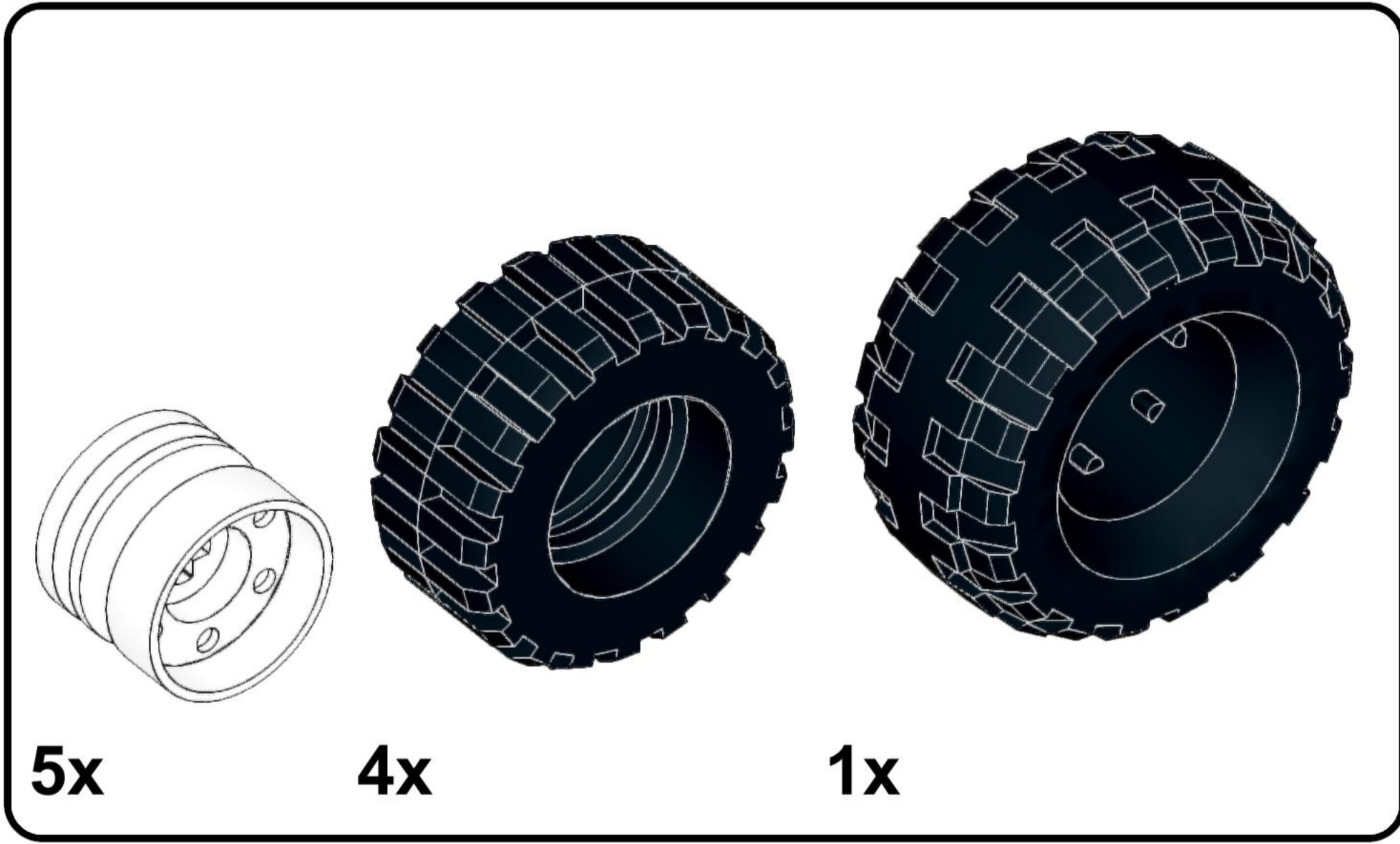




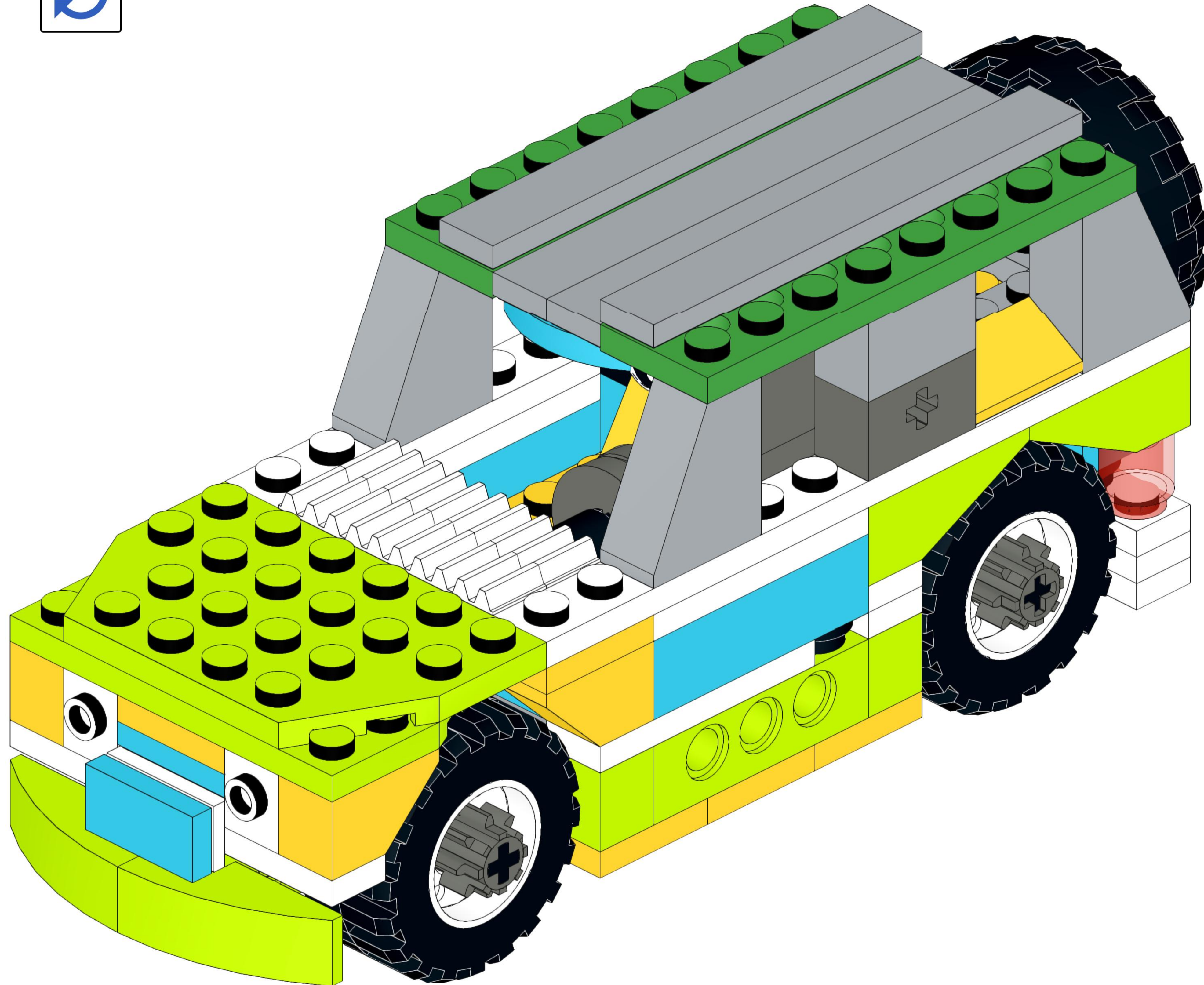
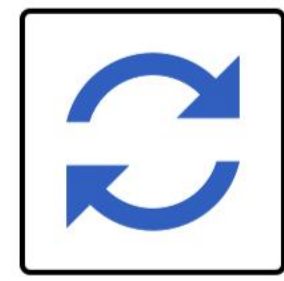
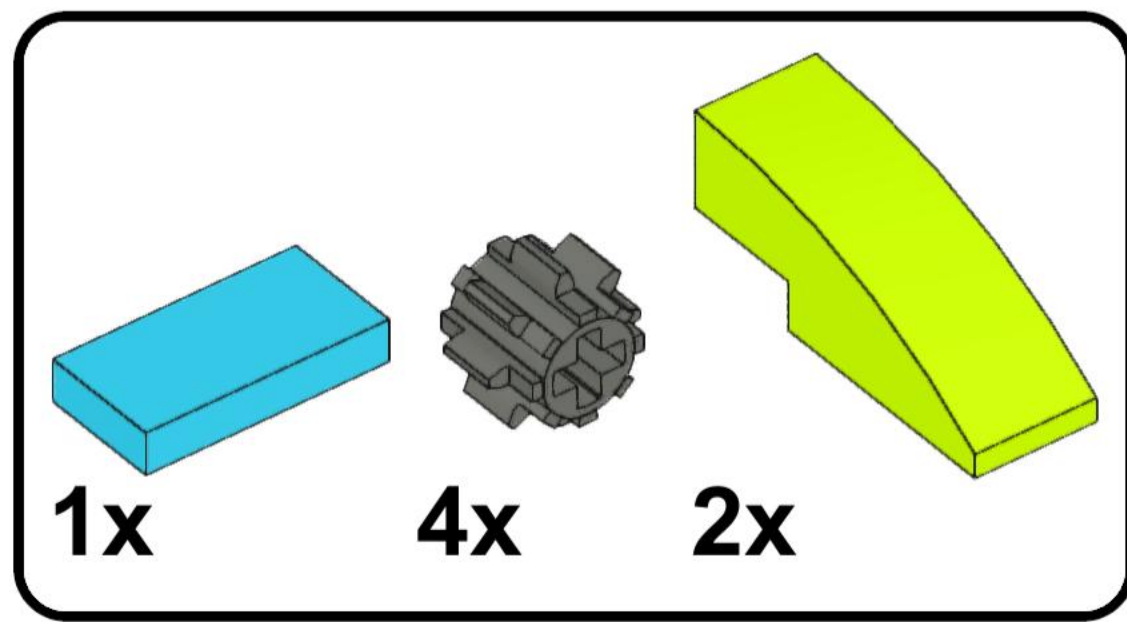
35

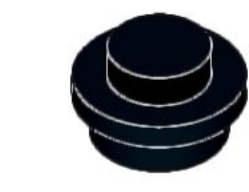


36



37

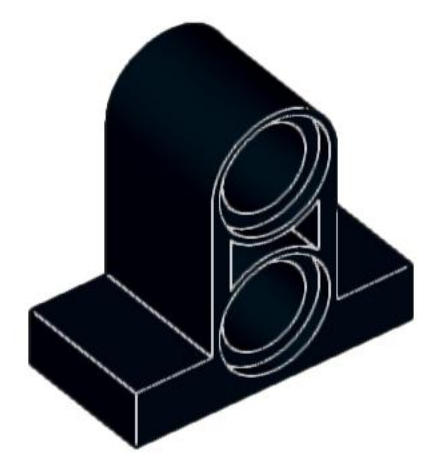




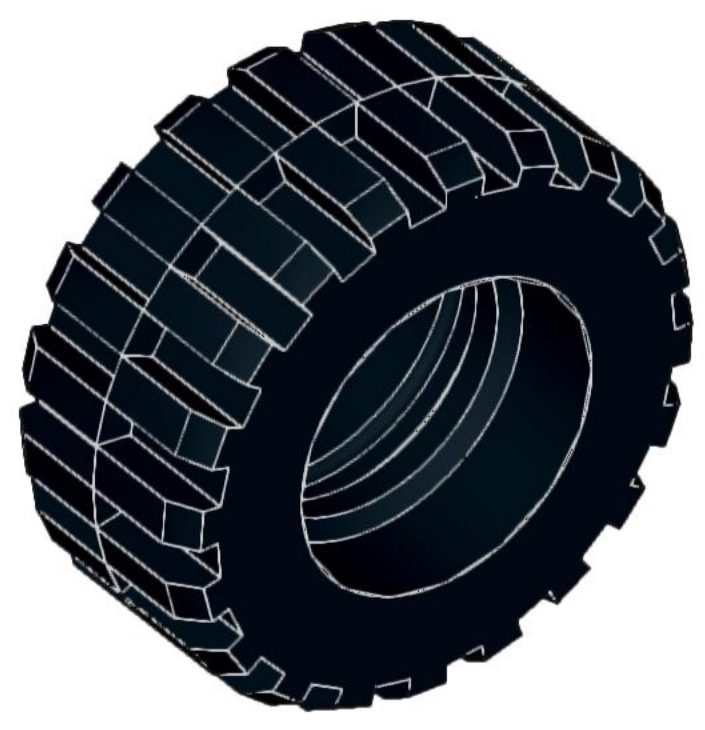
4x



1x



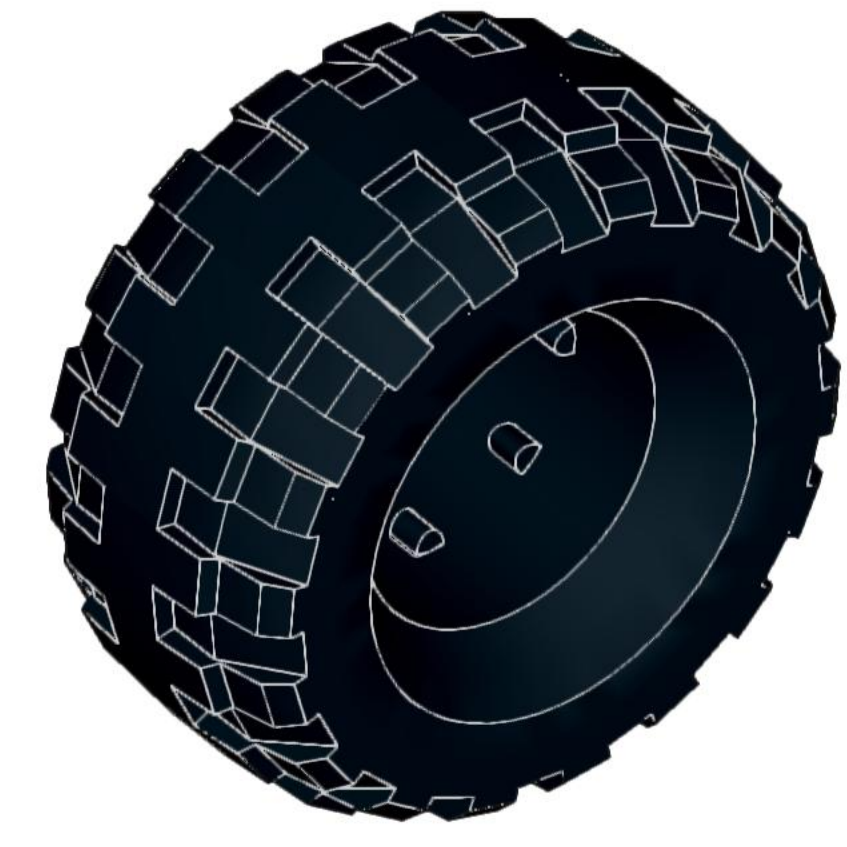
3x



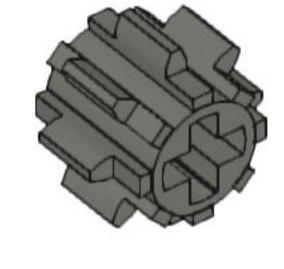
4x



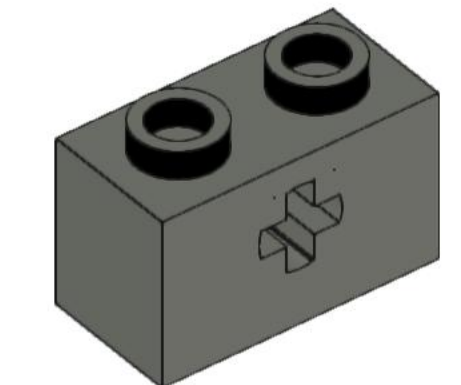
2x



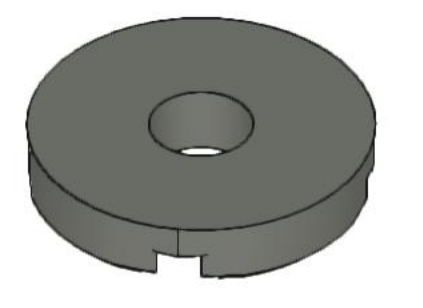
1x



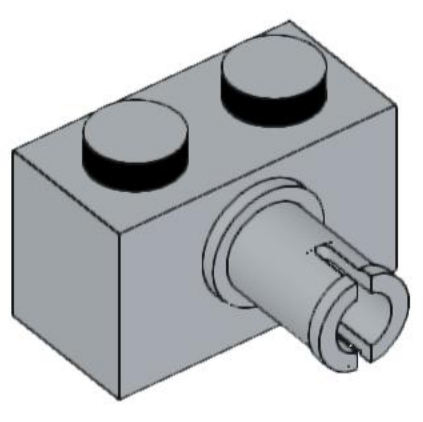
4x



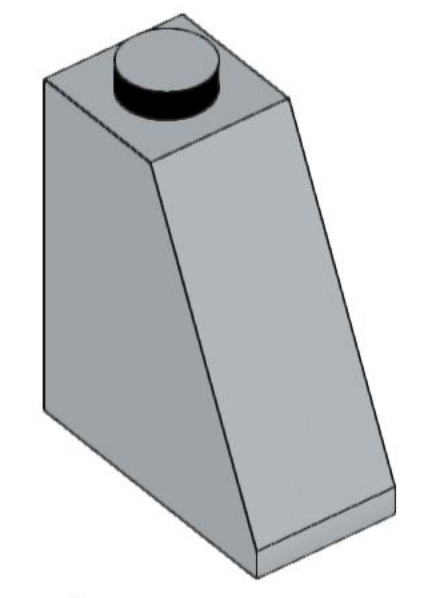
4x



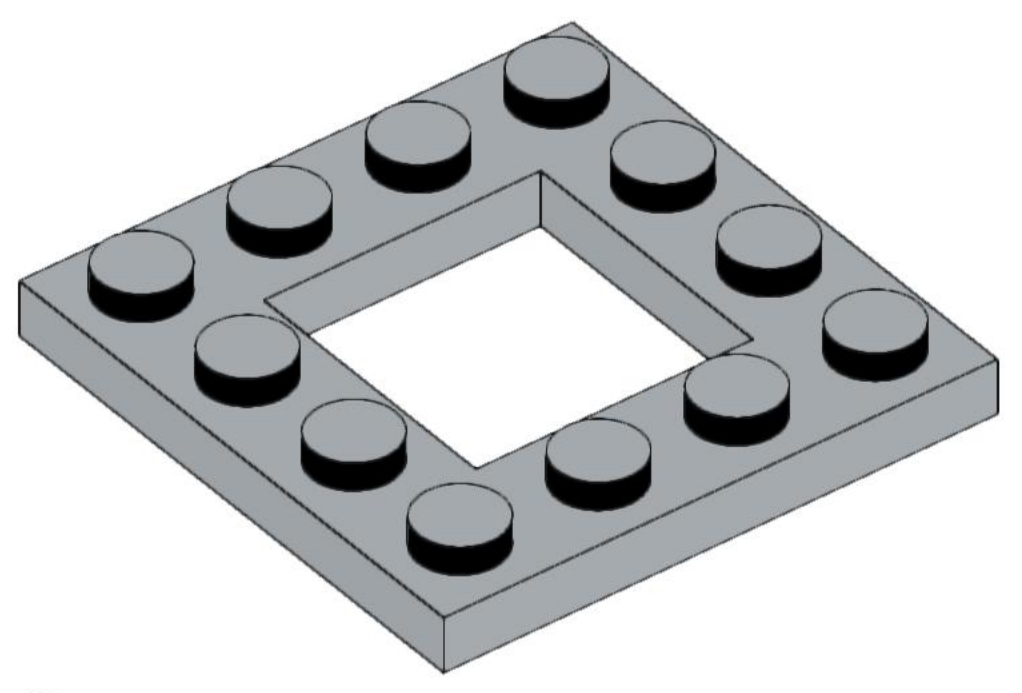
2x



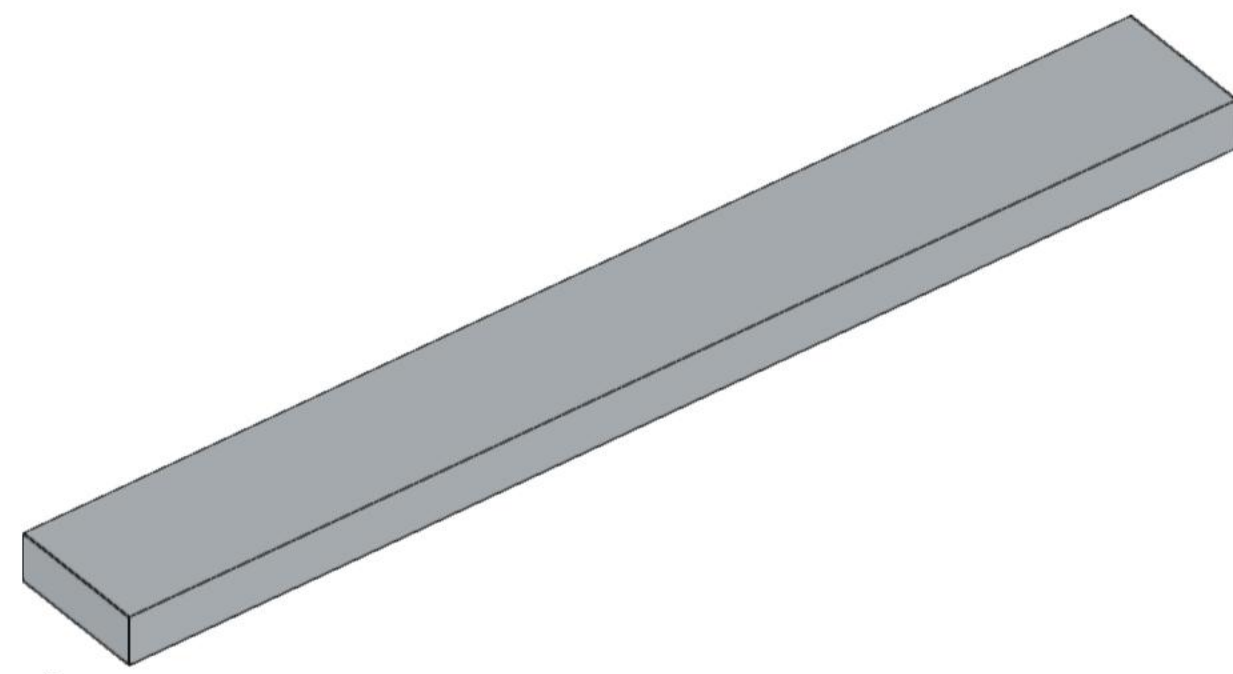
2x



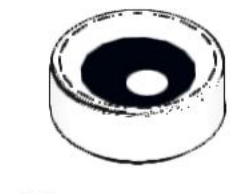
4x



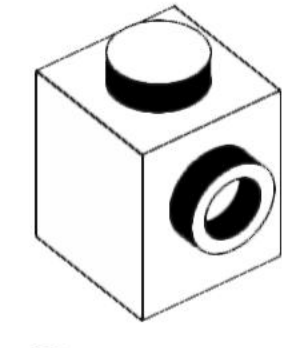
2x



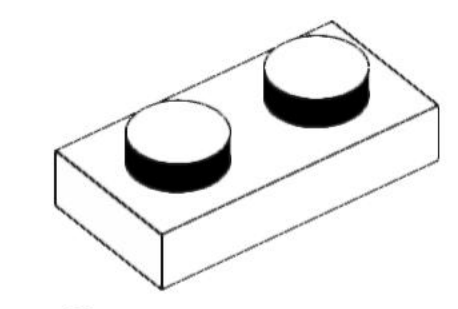
4x



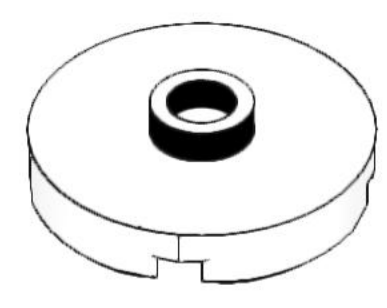
2x



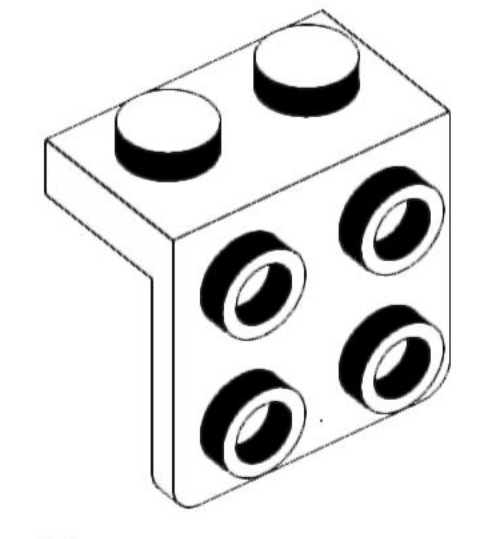
2x



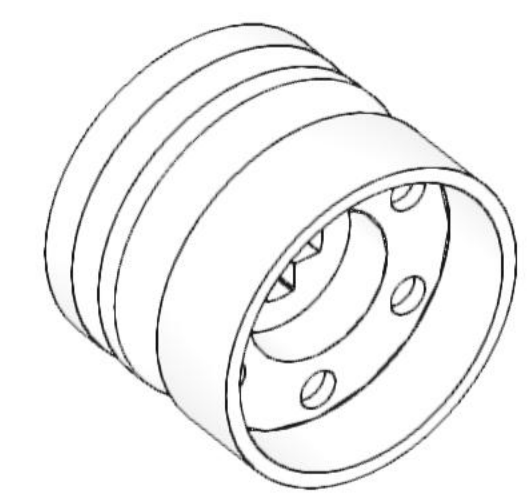
6x



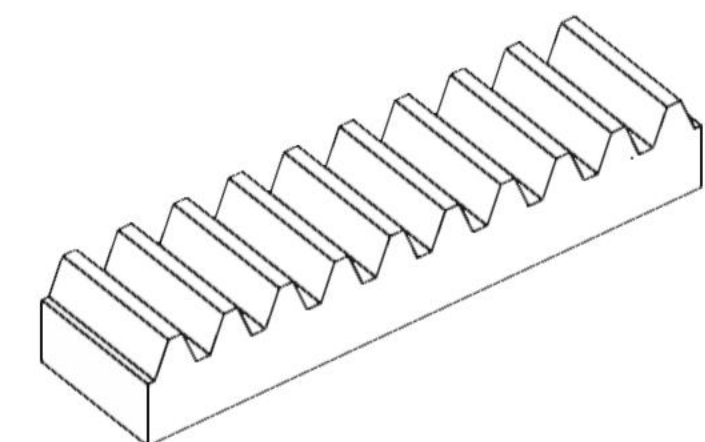
1x



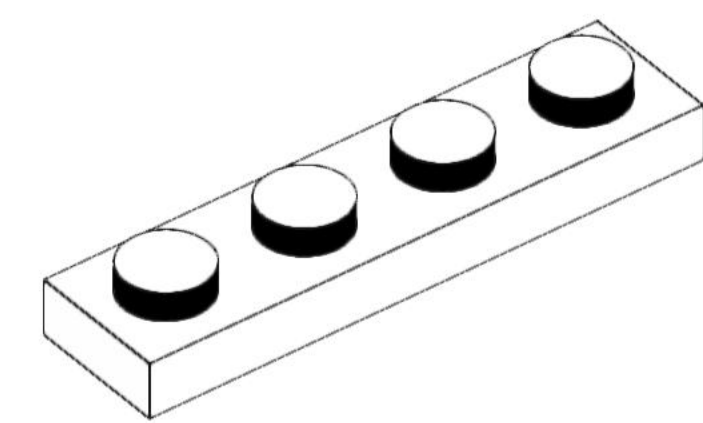
2x



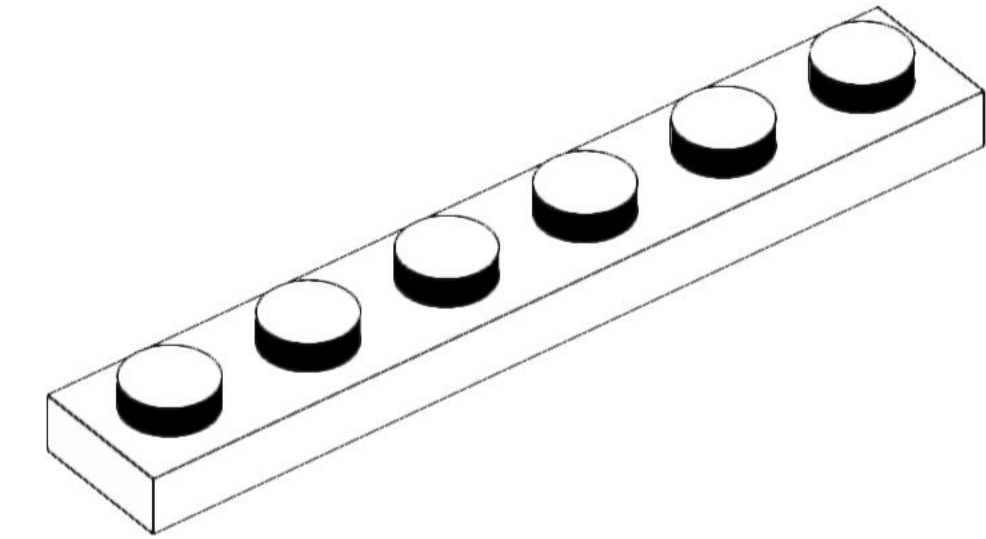
5x



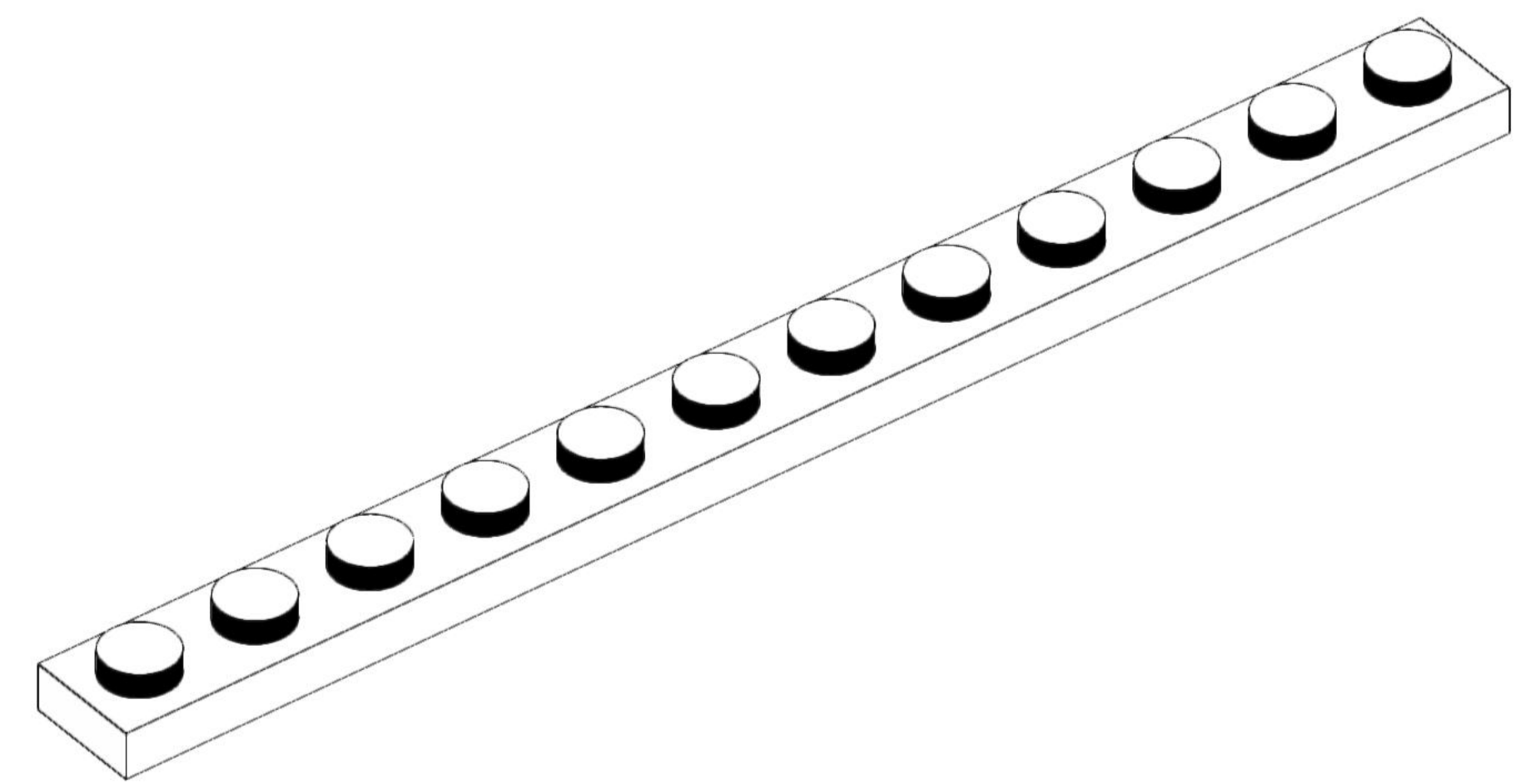
2x



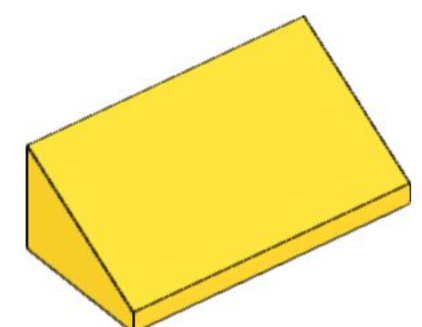
4x



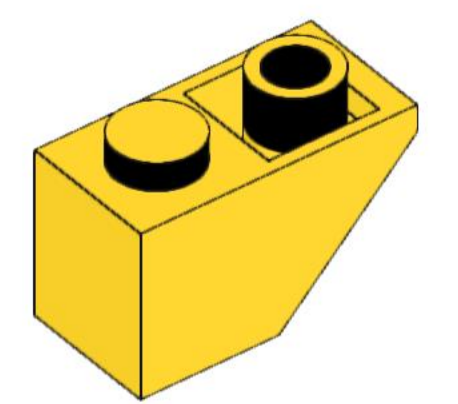
3x



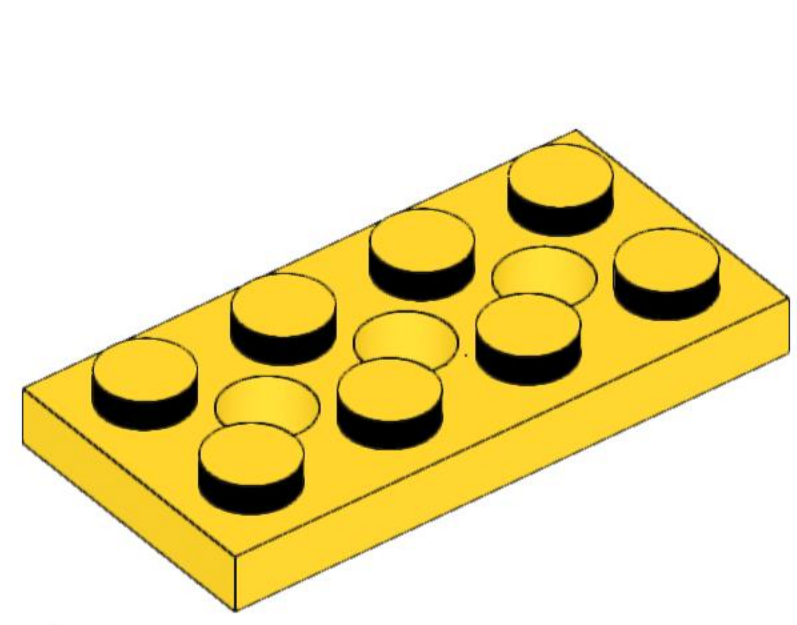
2x



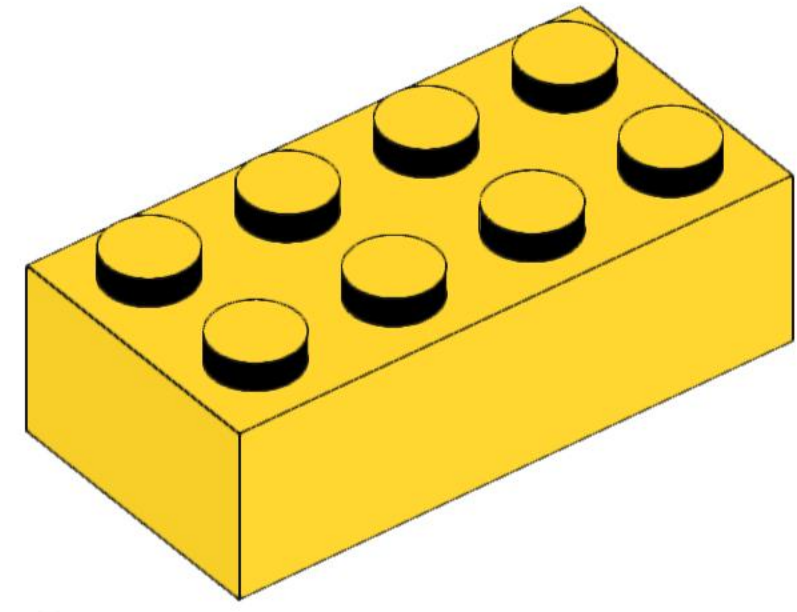
3x



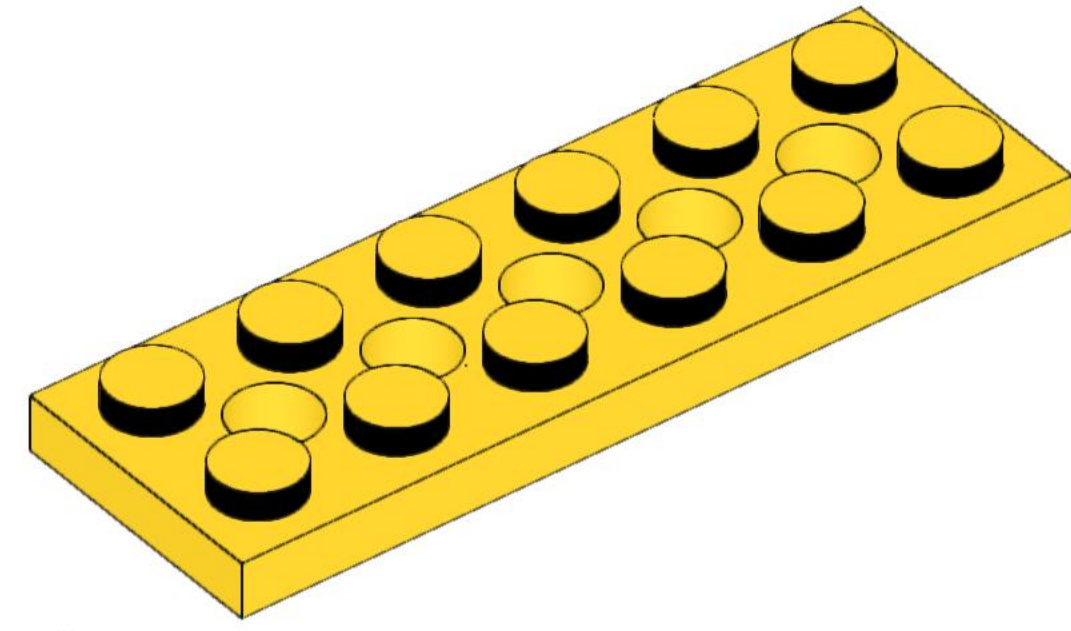
4x



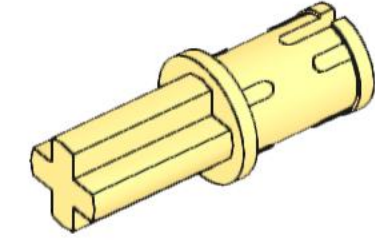
4x



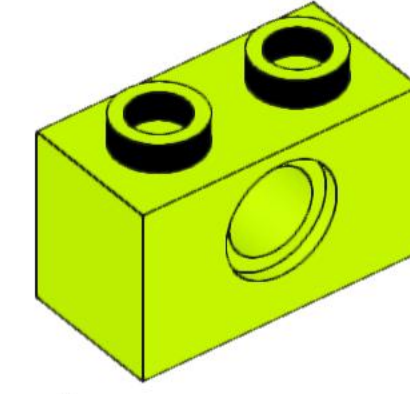
2x



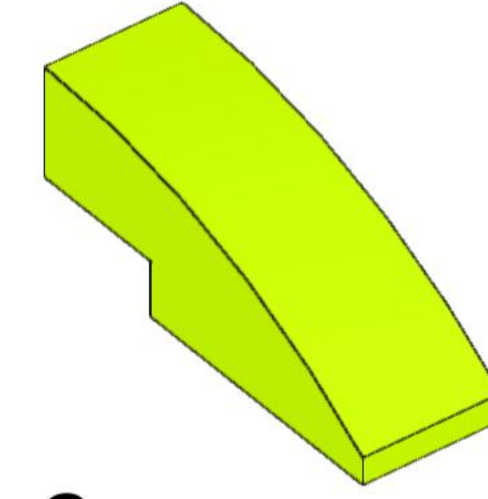
4x



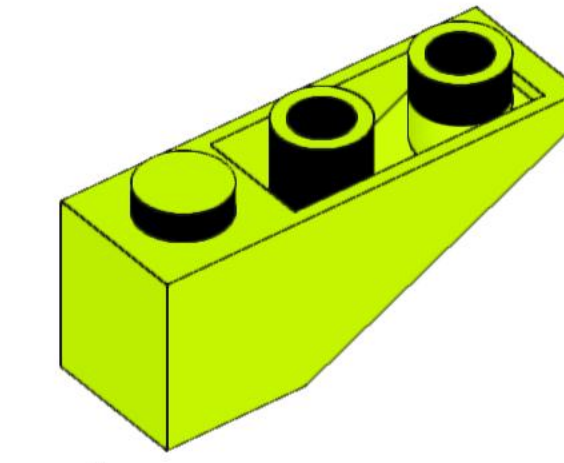
1x



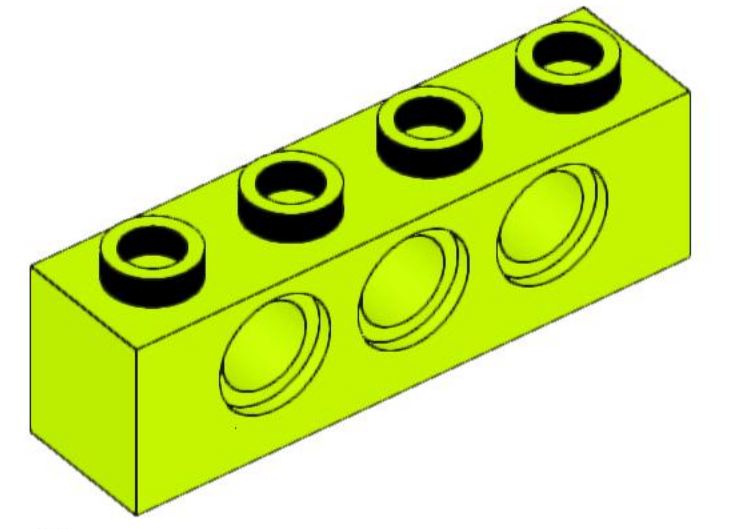
4x



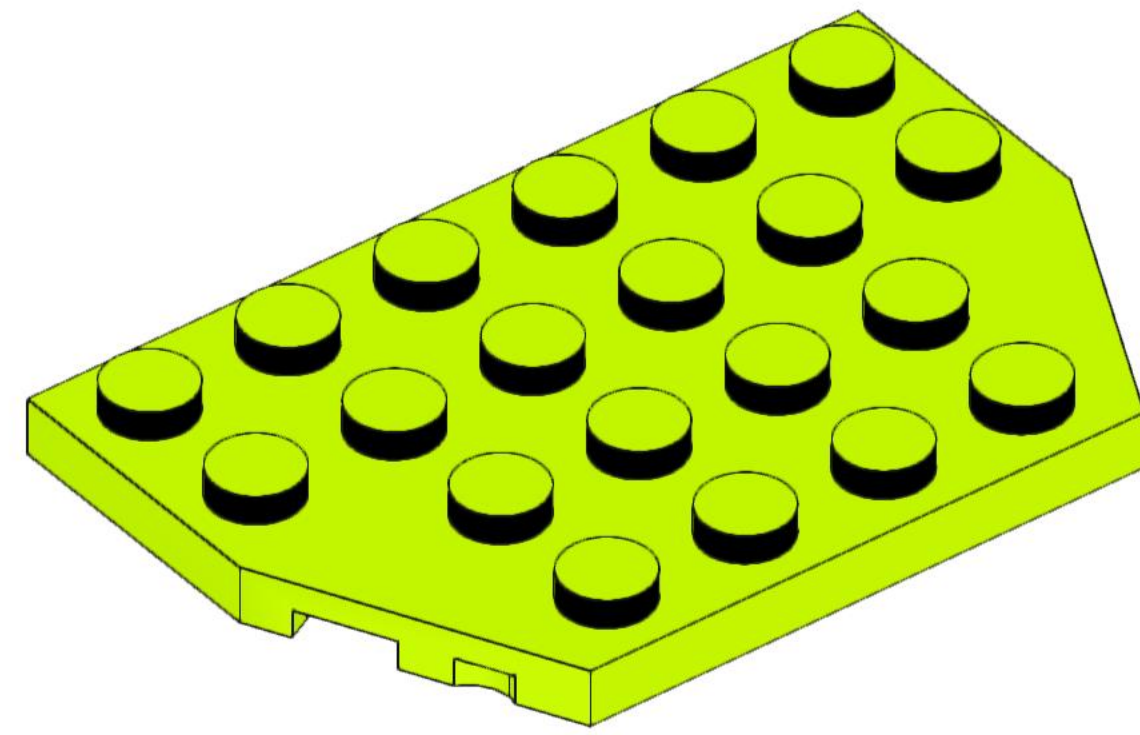
2x



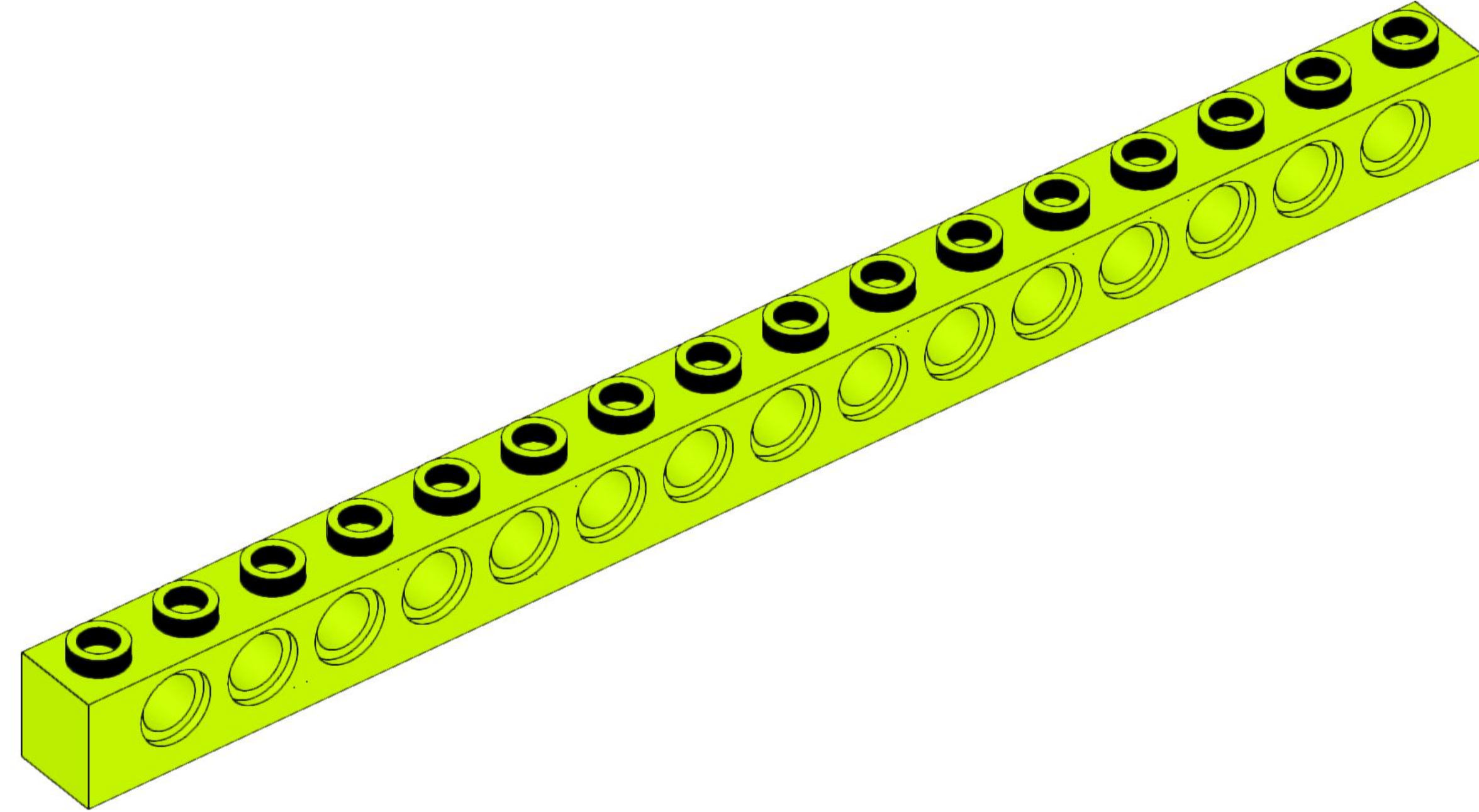
4x



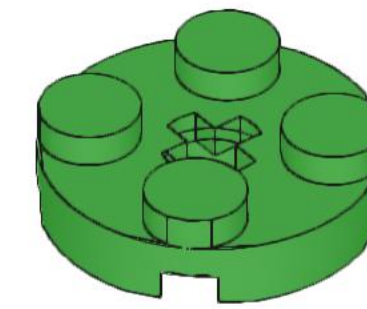
3x



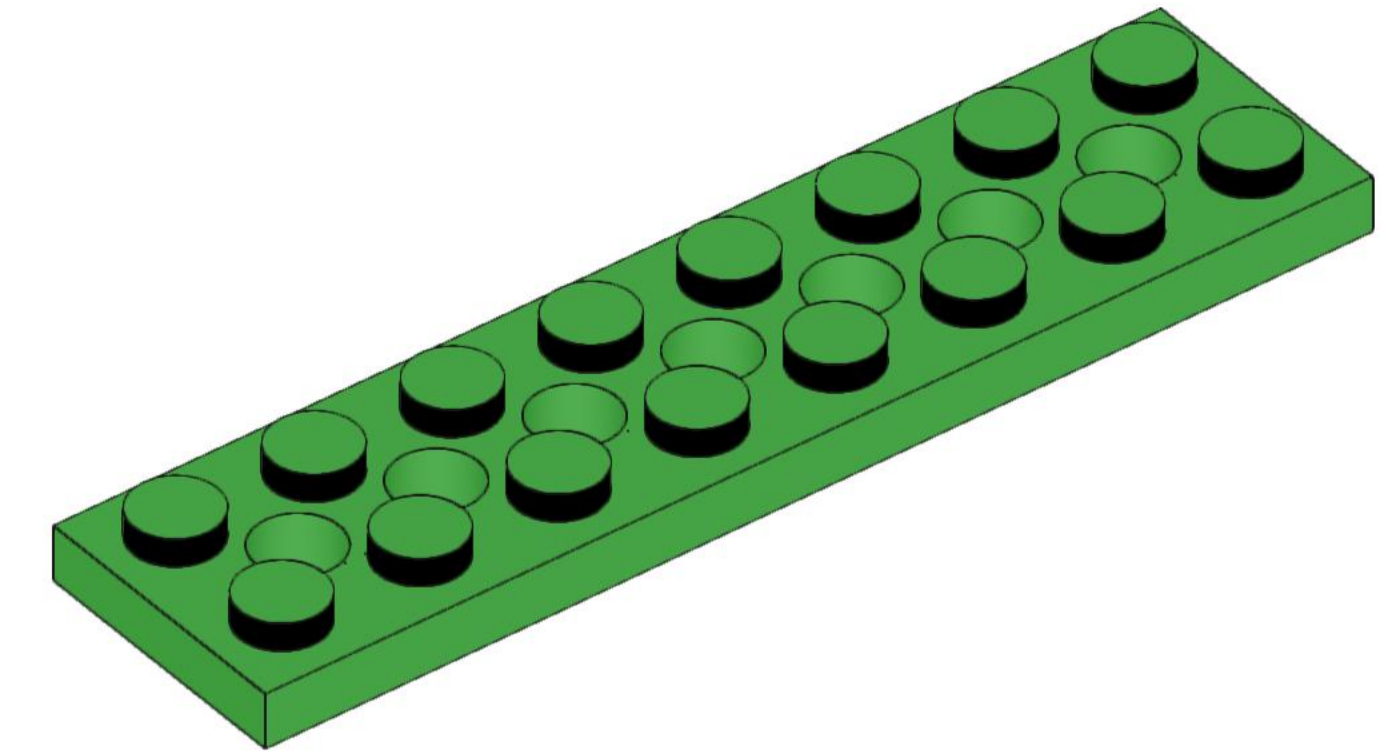
2x



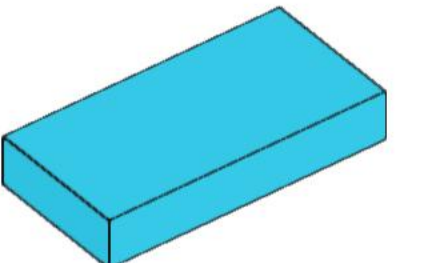
2x



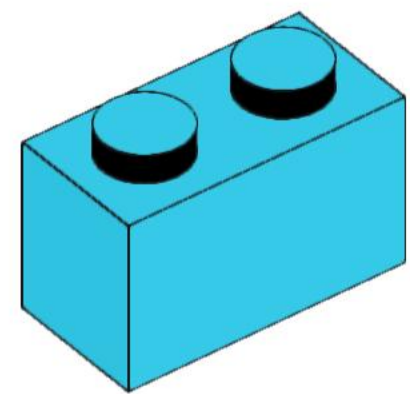
2x



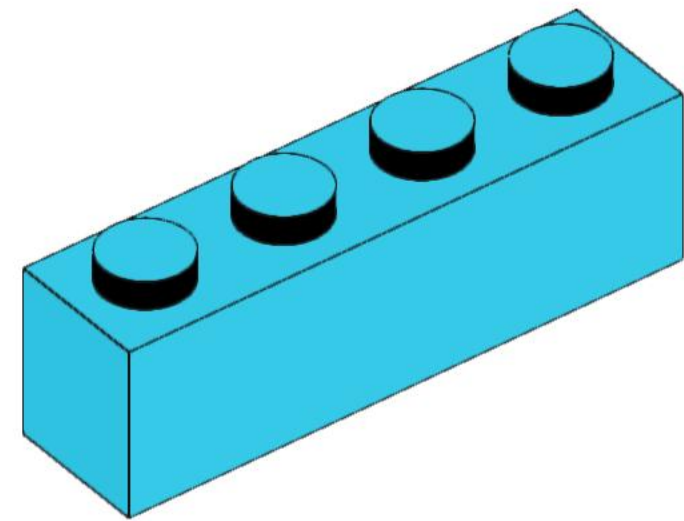
2x



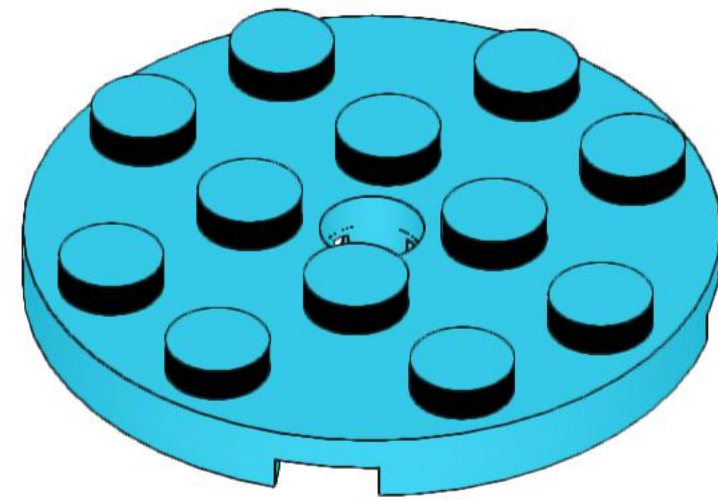
2x



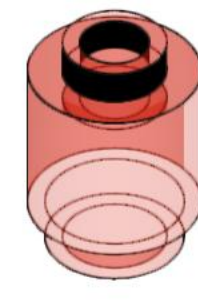
6x



2x



2x



2x

