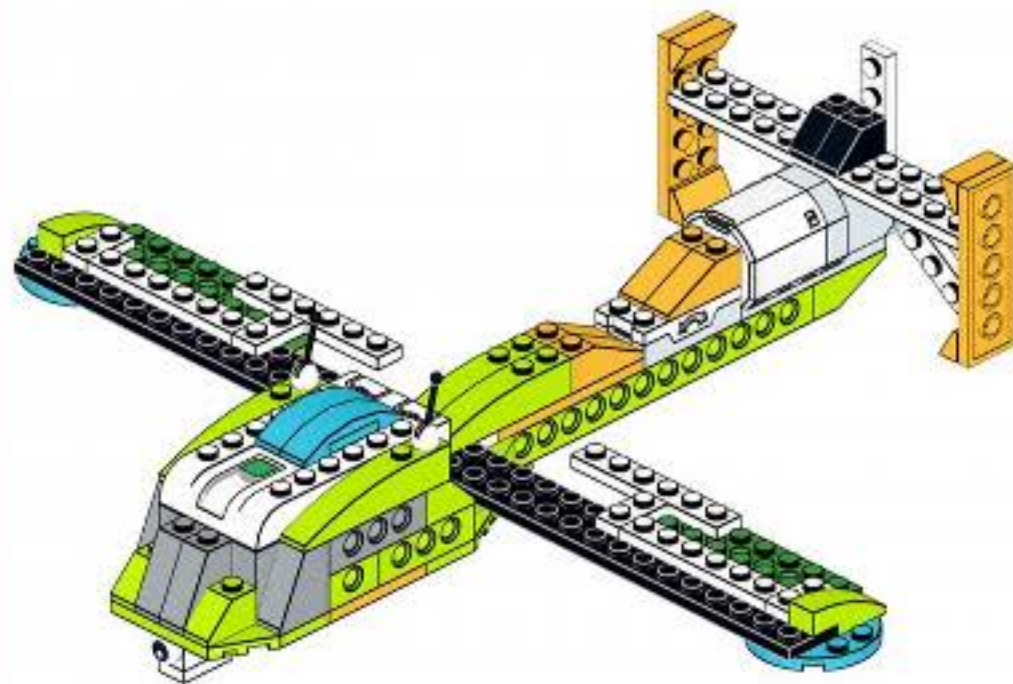
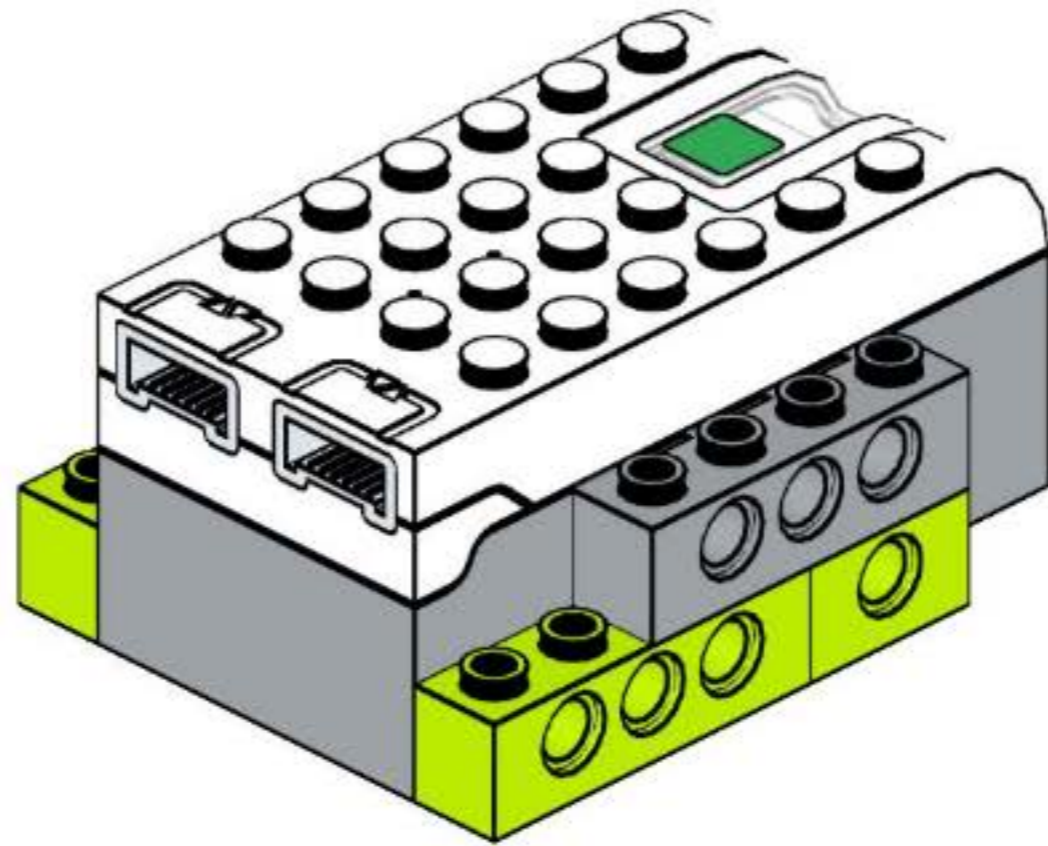
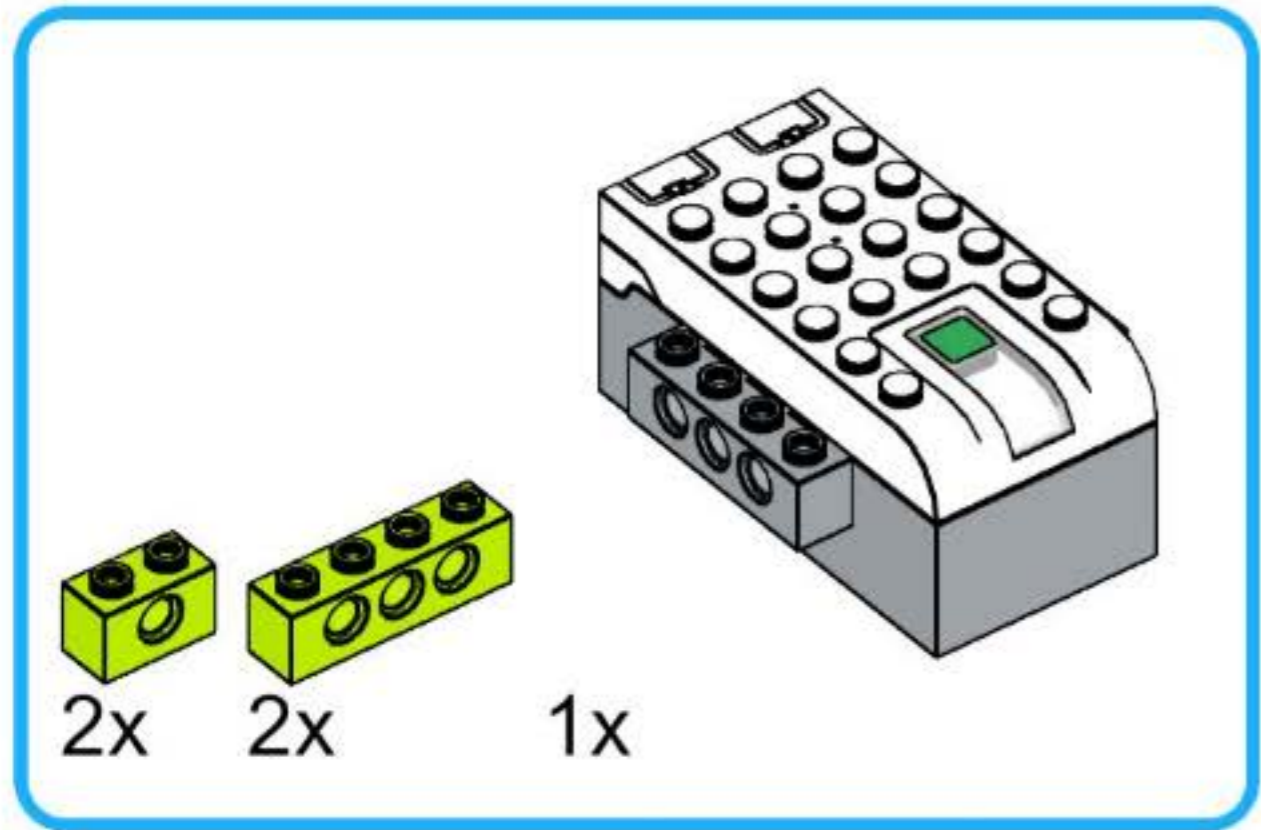


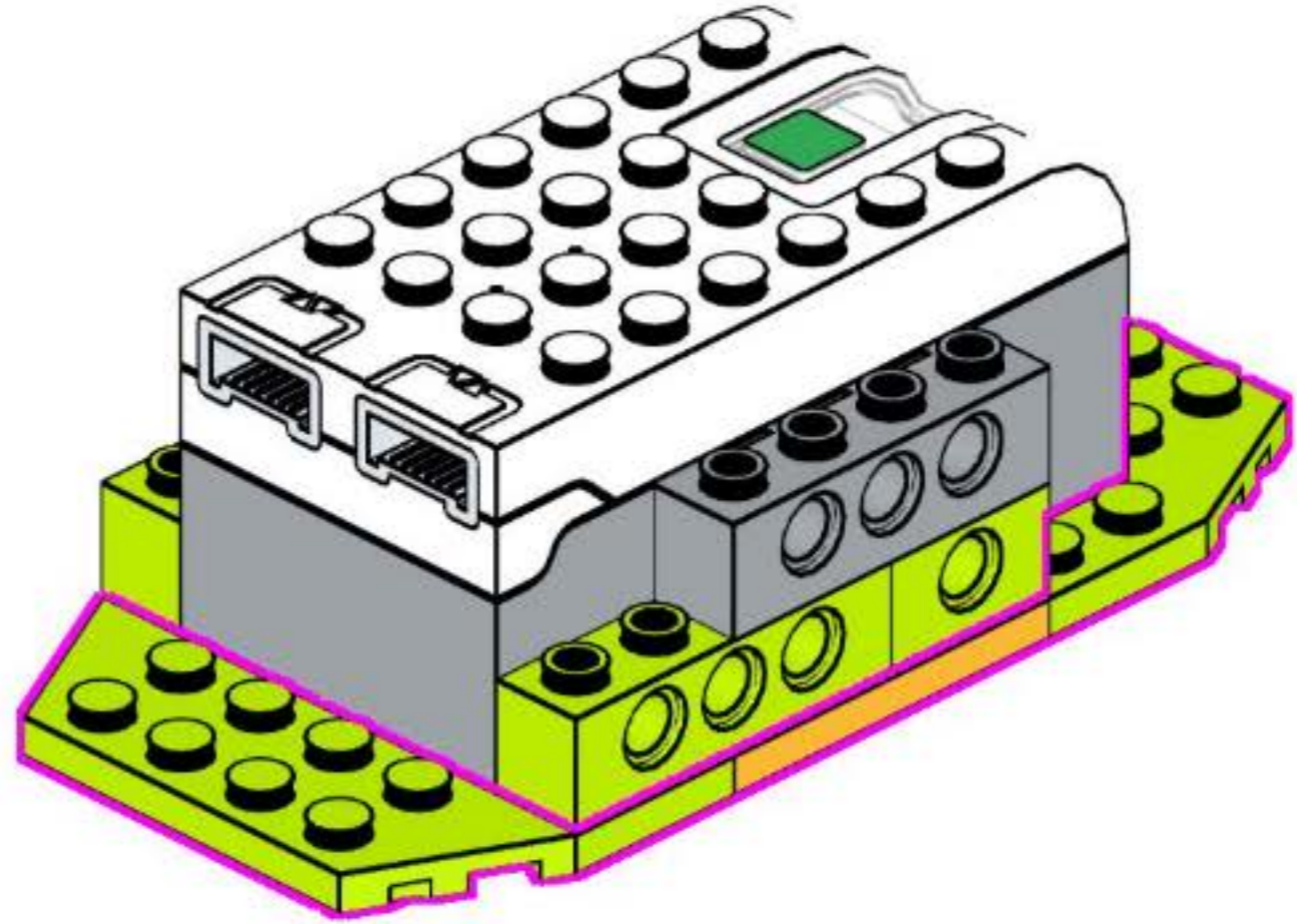
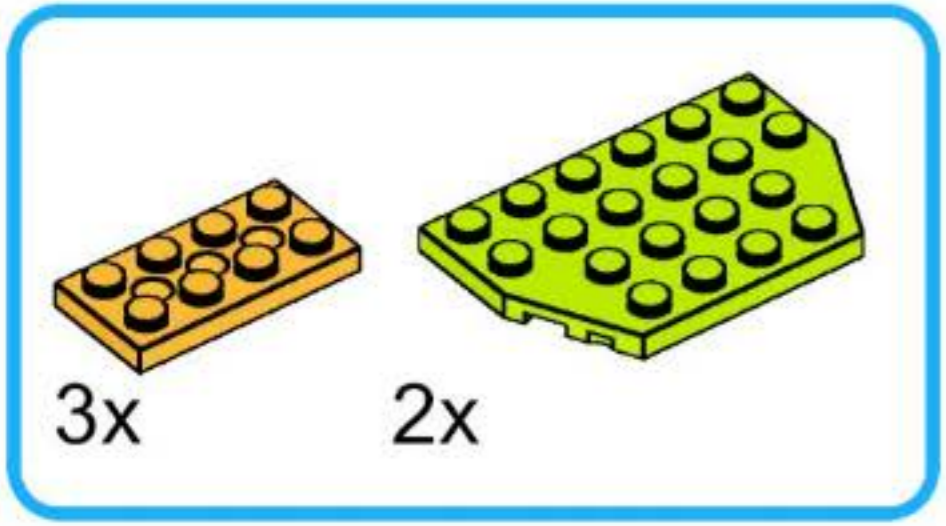
unmanned aerial vehicle
unofficial building instruction

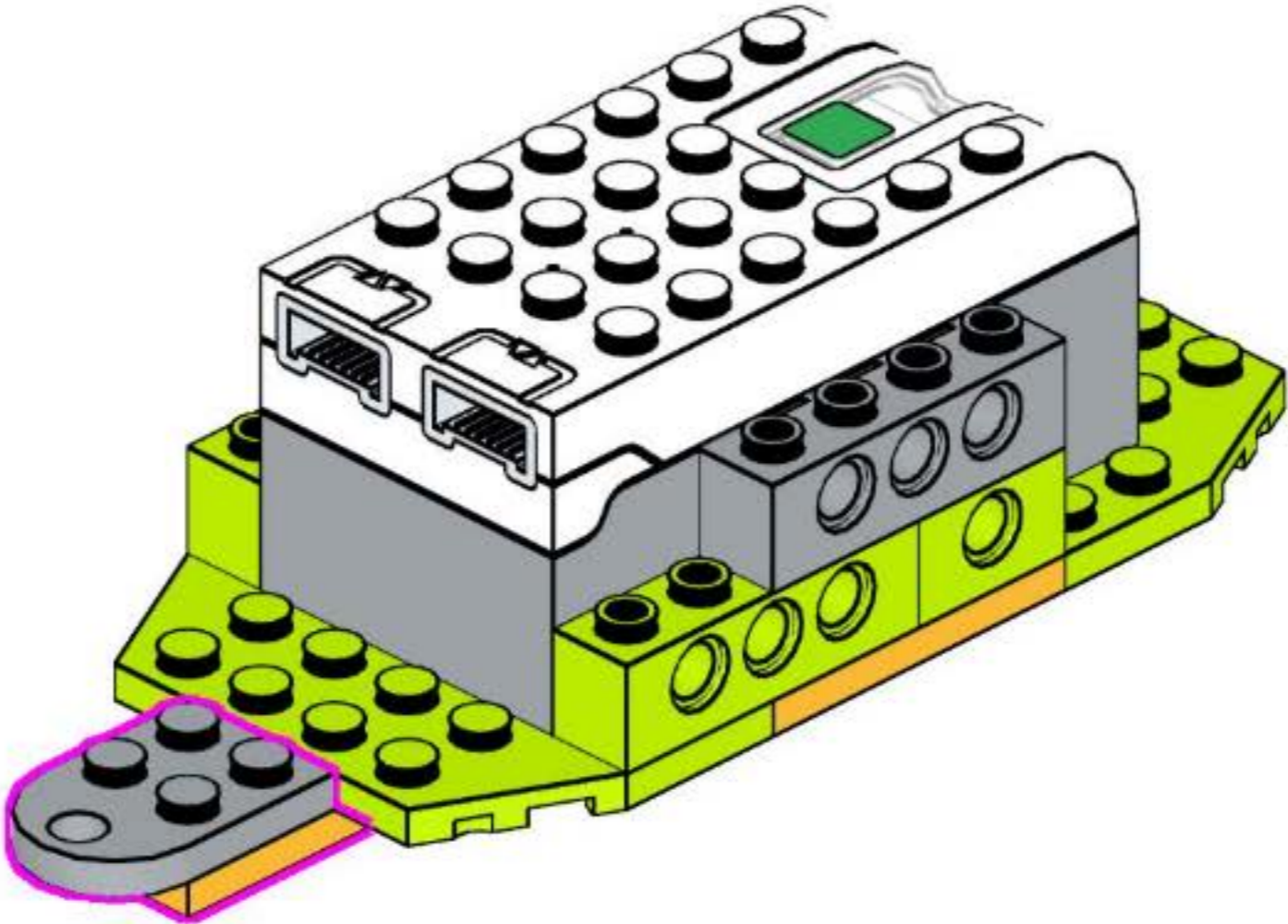
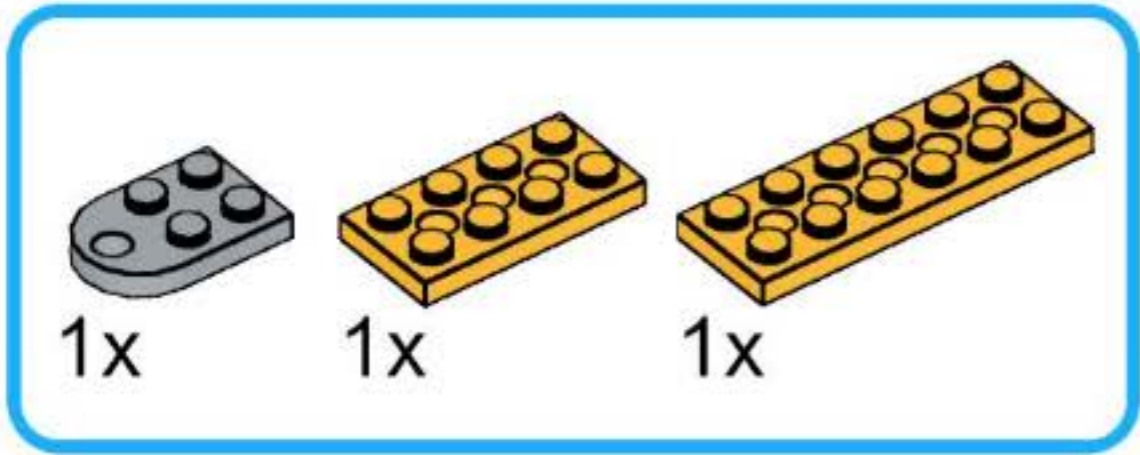


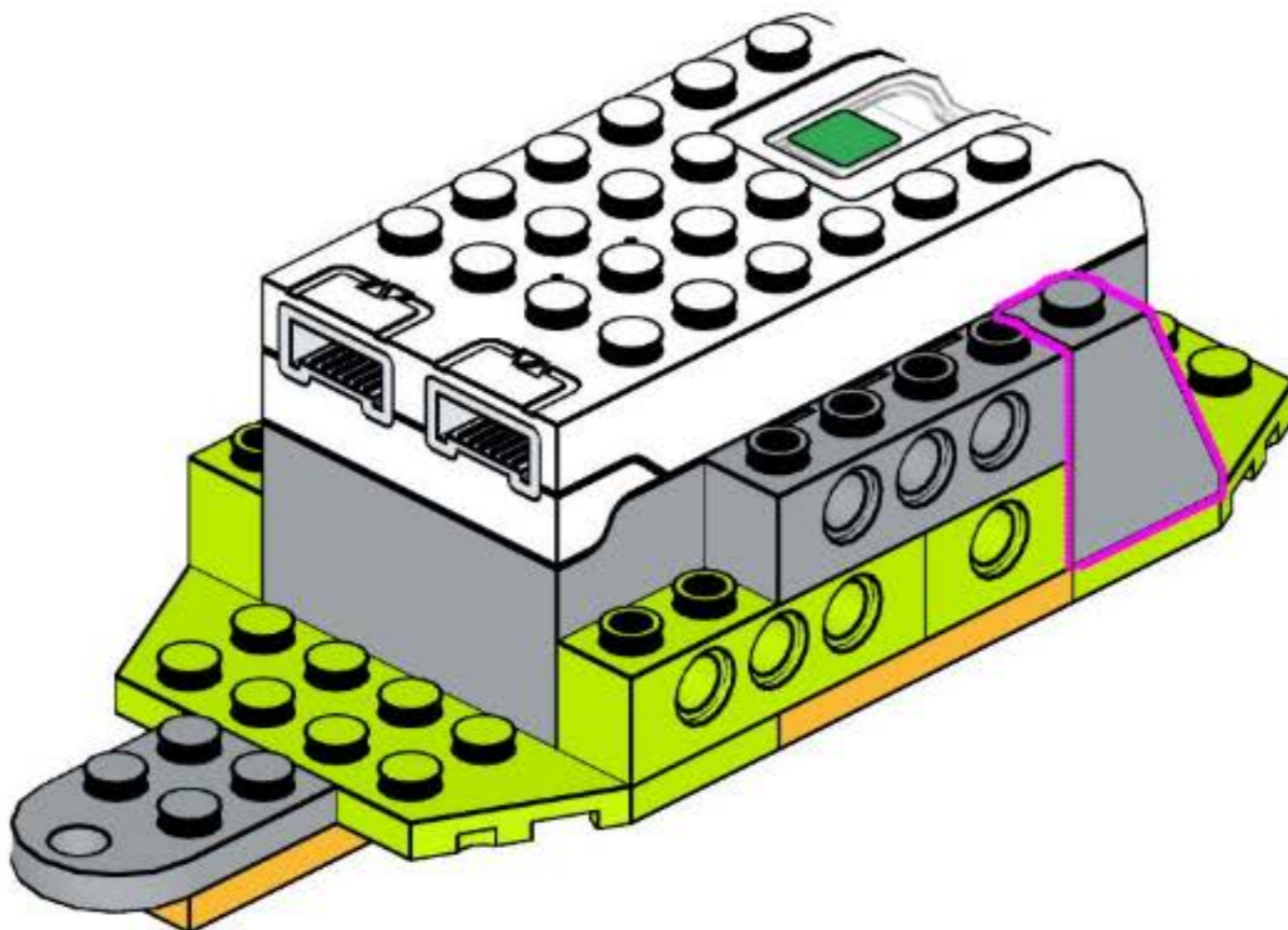
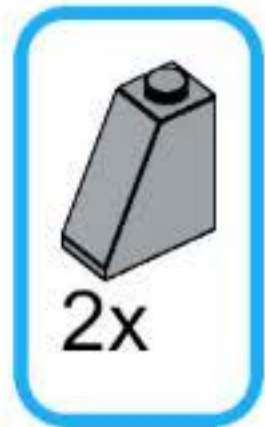
UAV

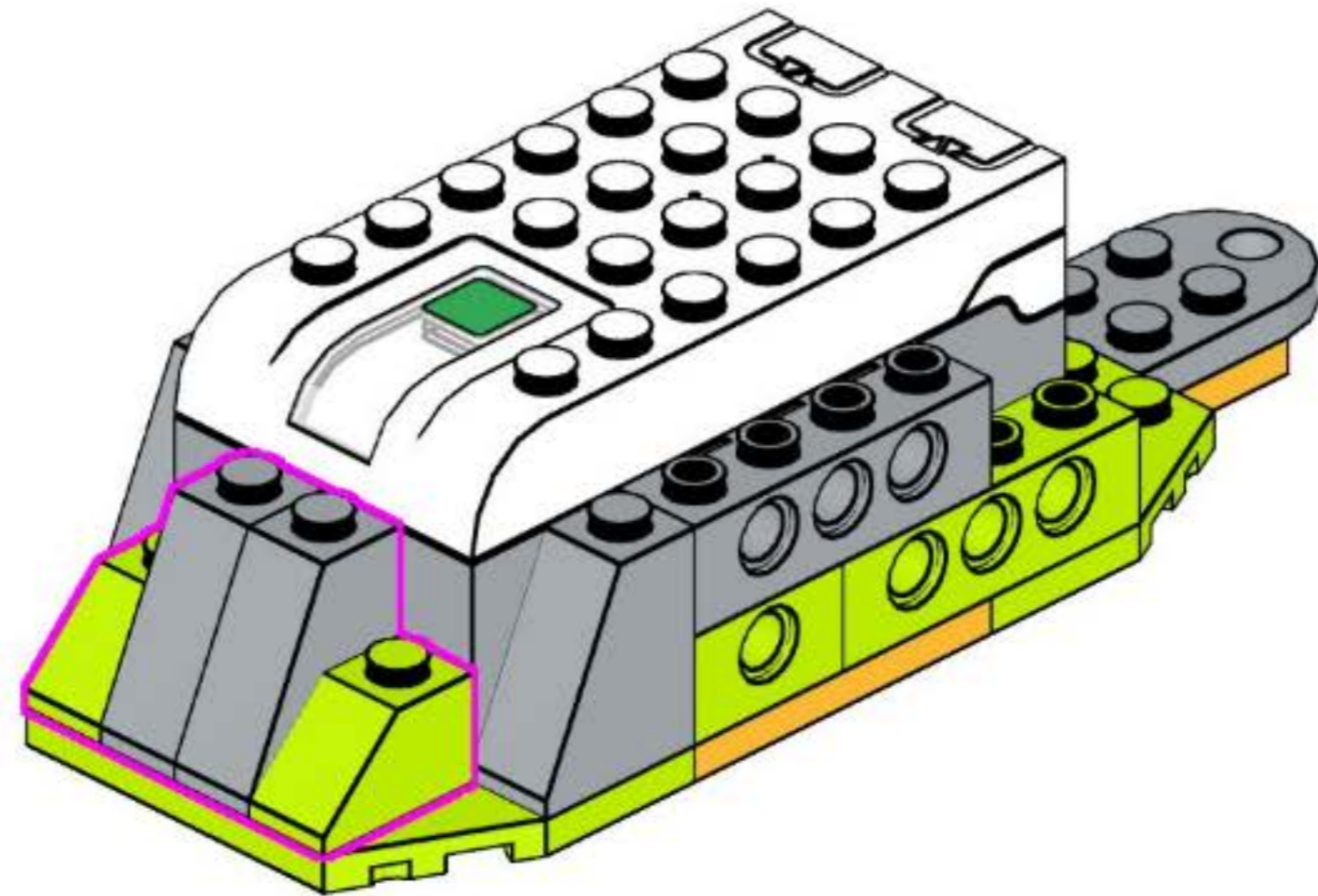
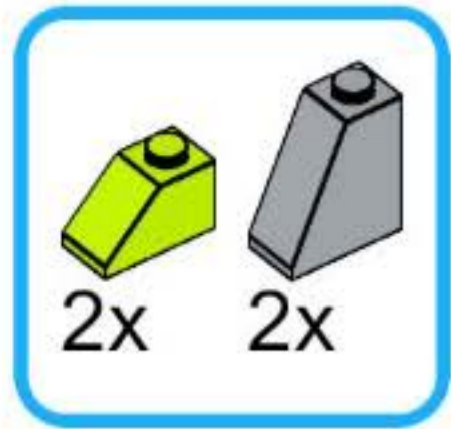
for Lego® WeDo 2.0
45300

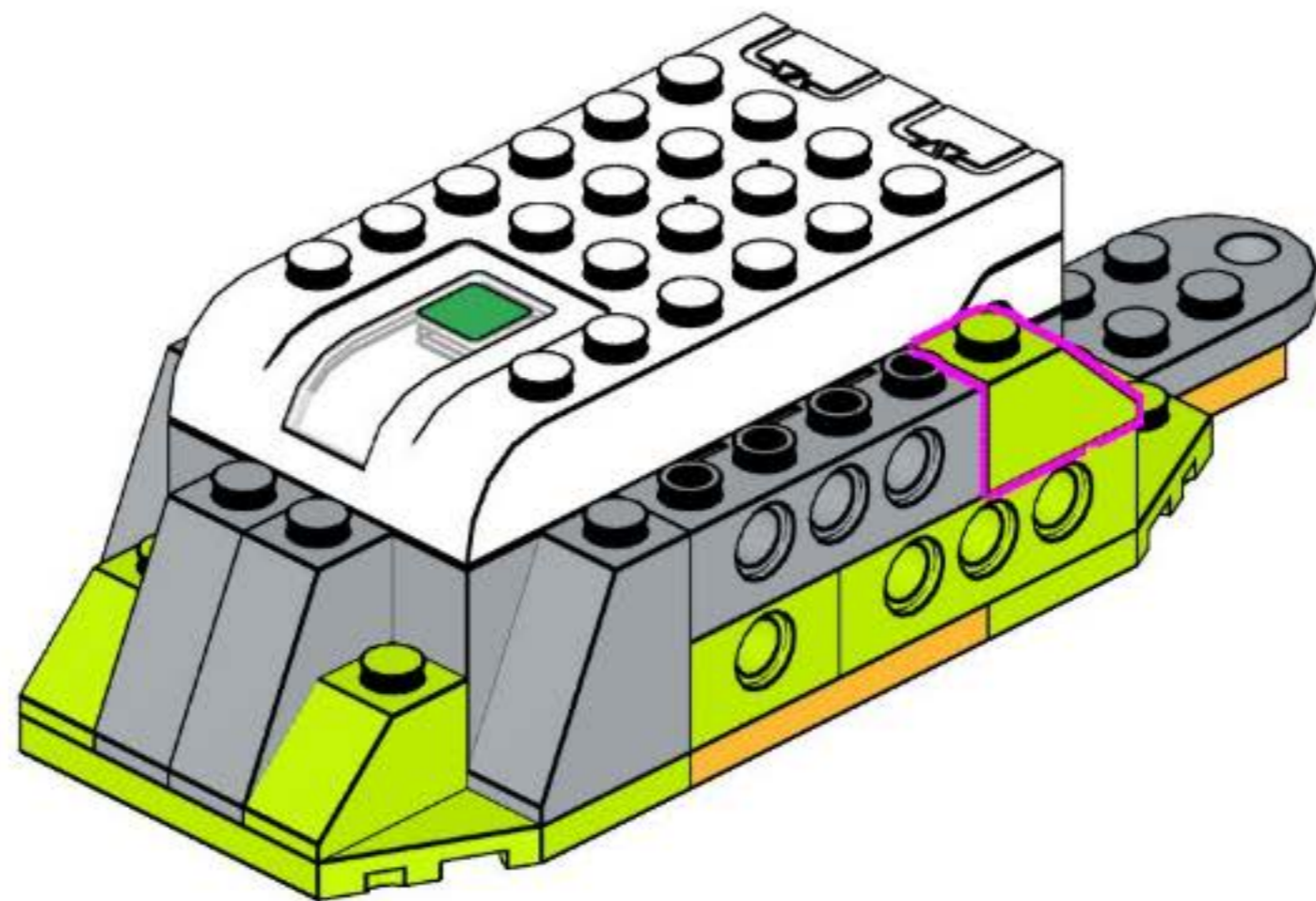
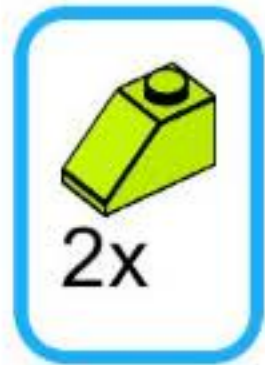


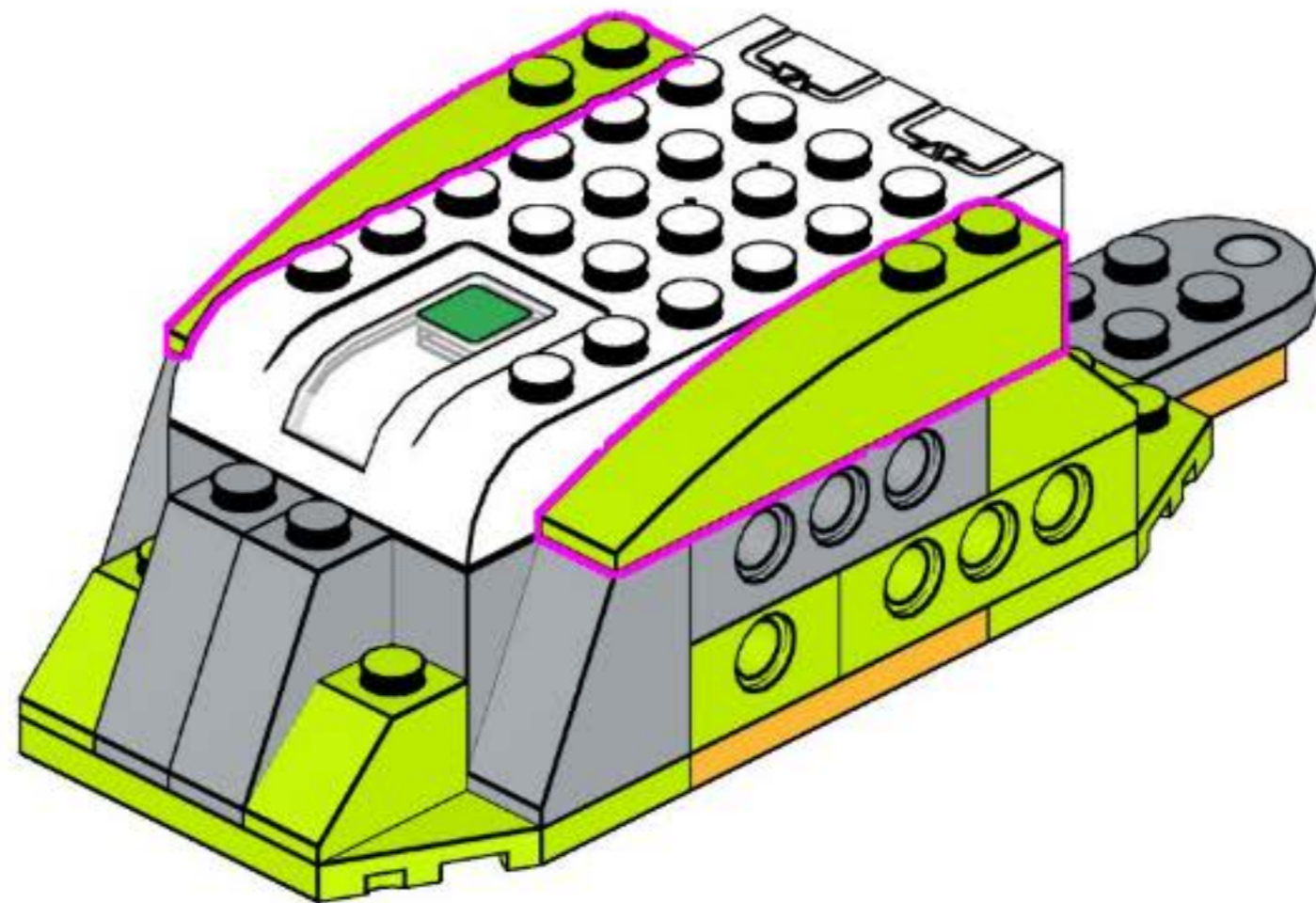
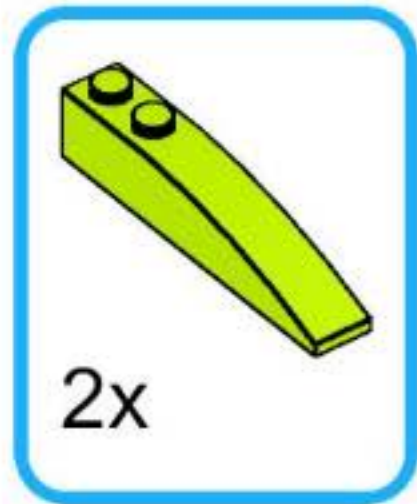


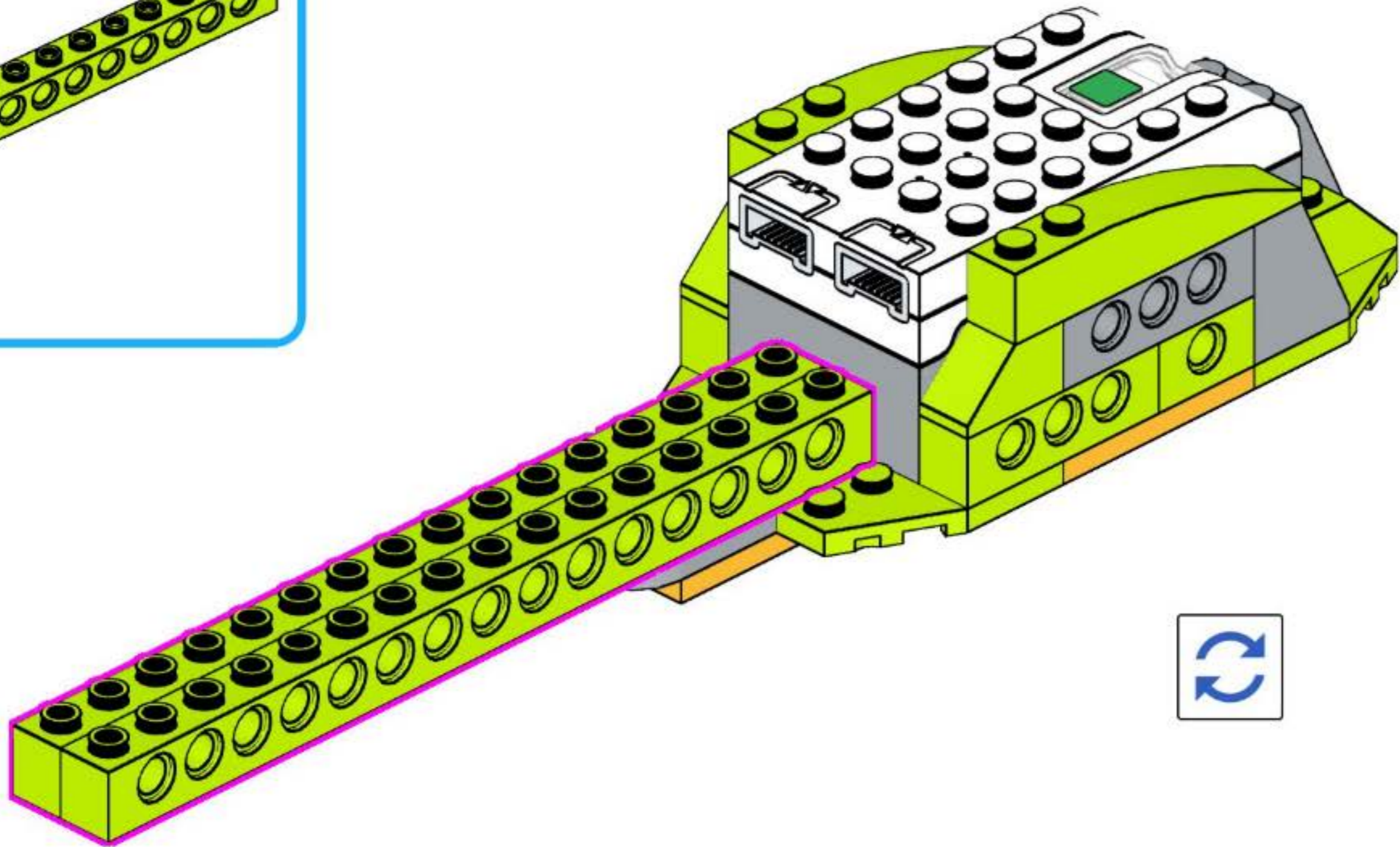
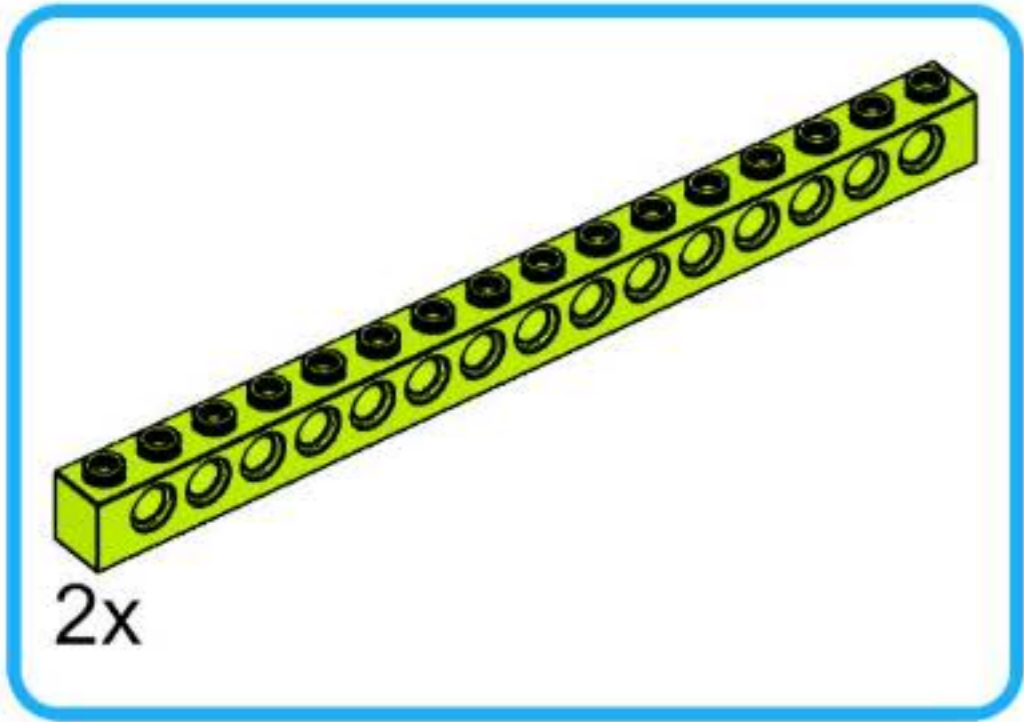


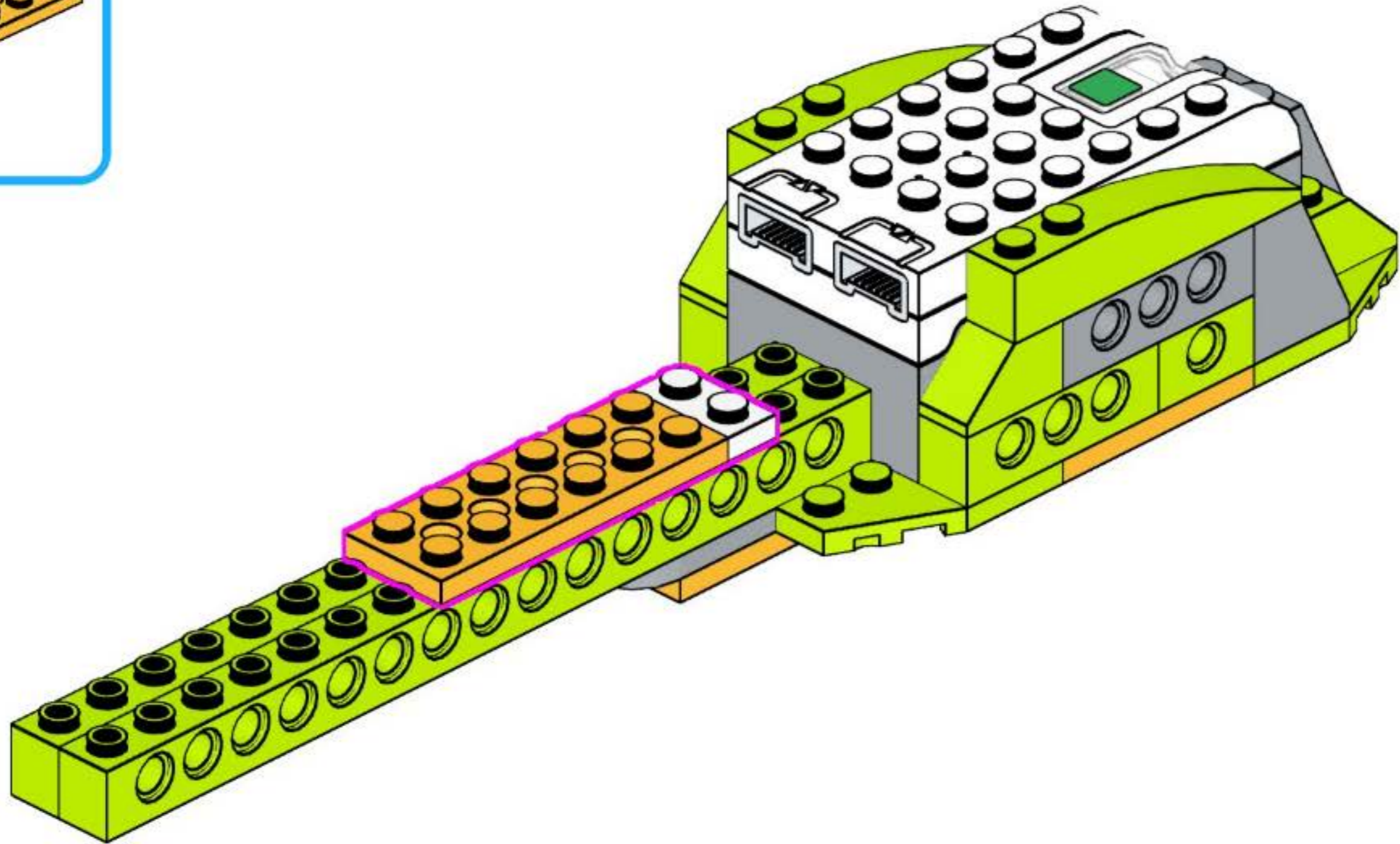
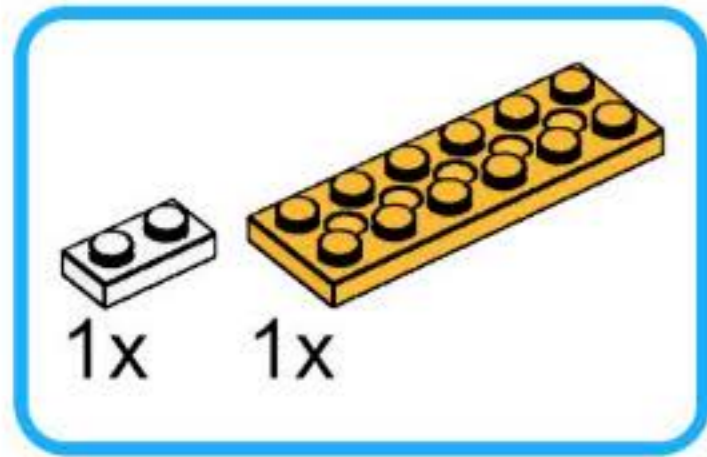


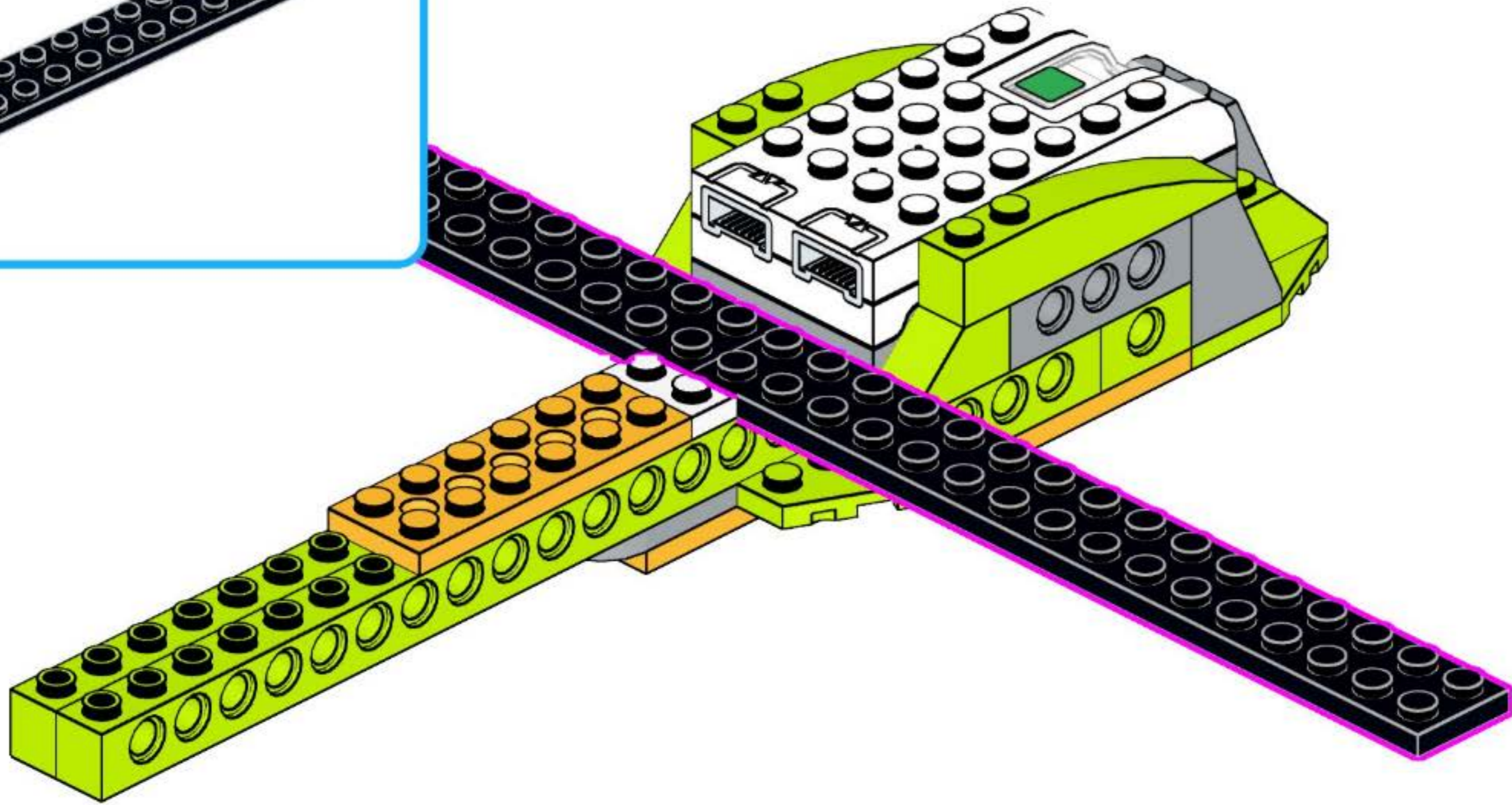
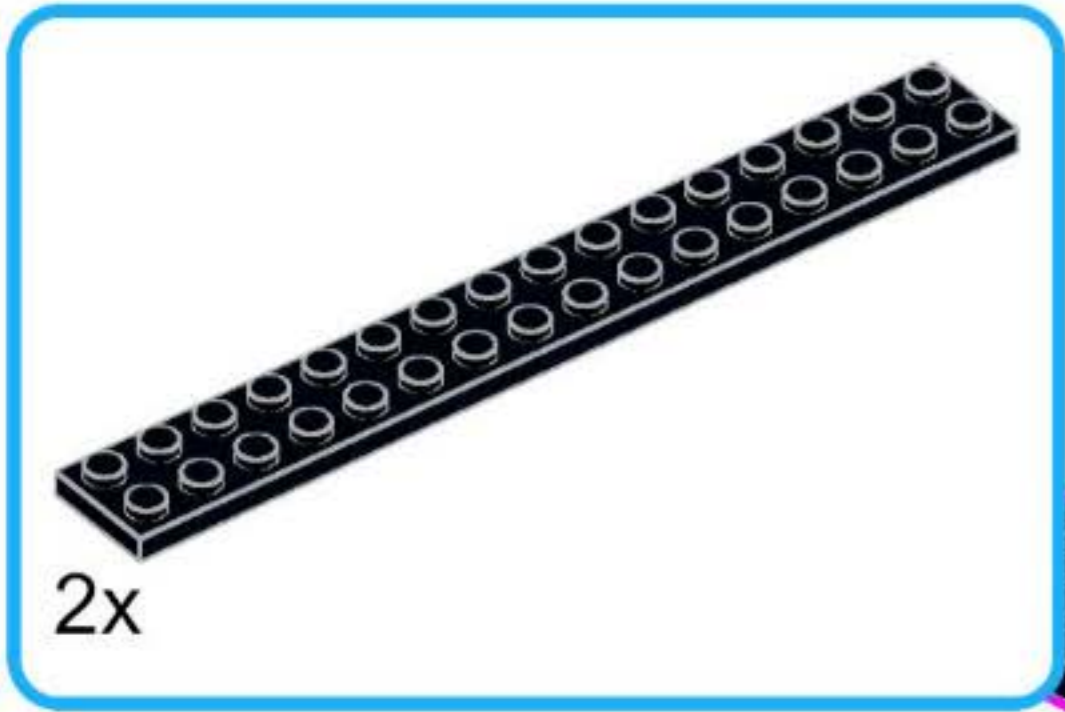


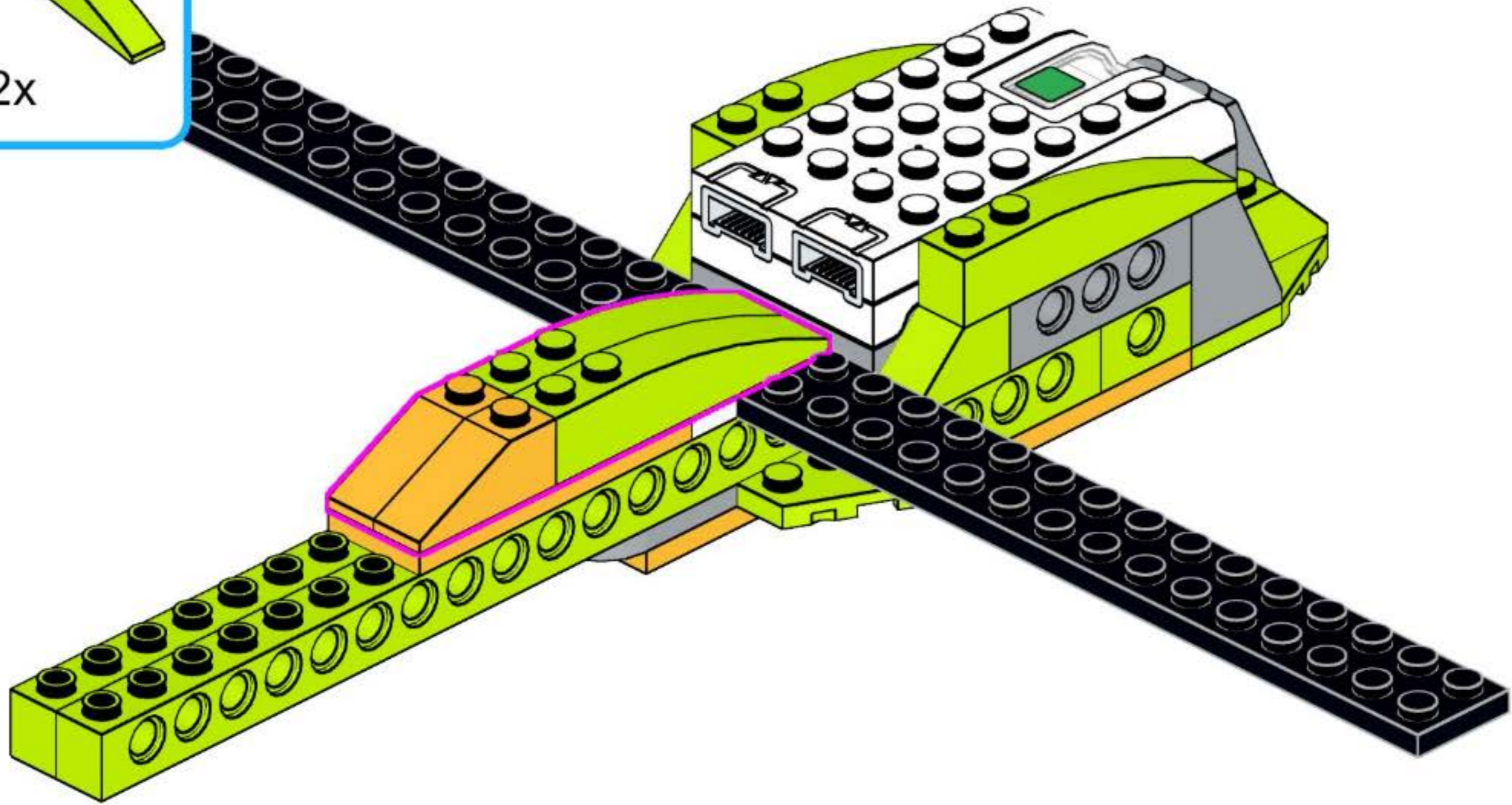
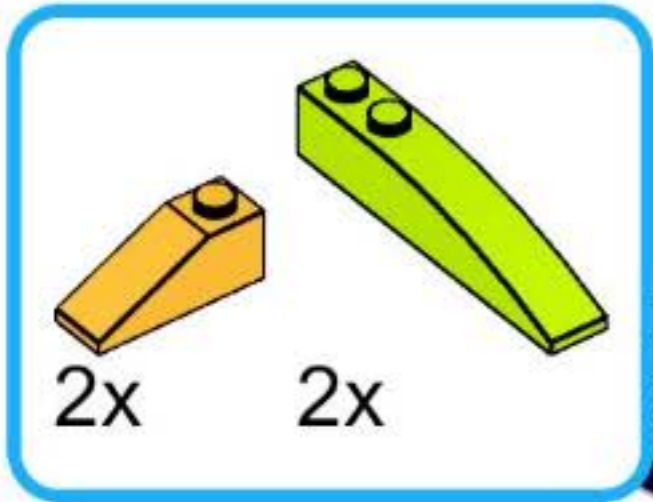


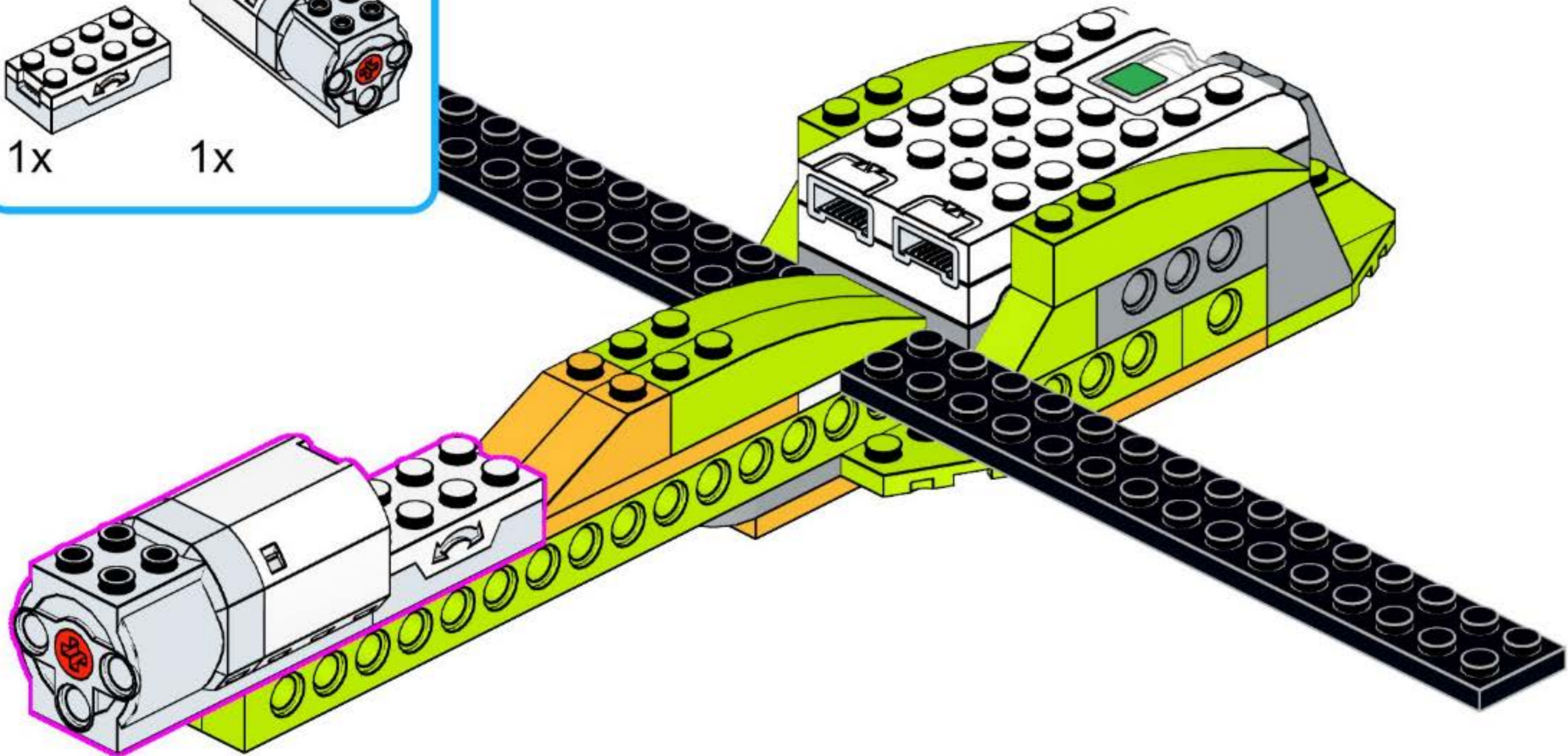
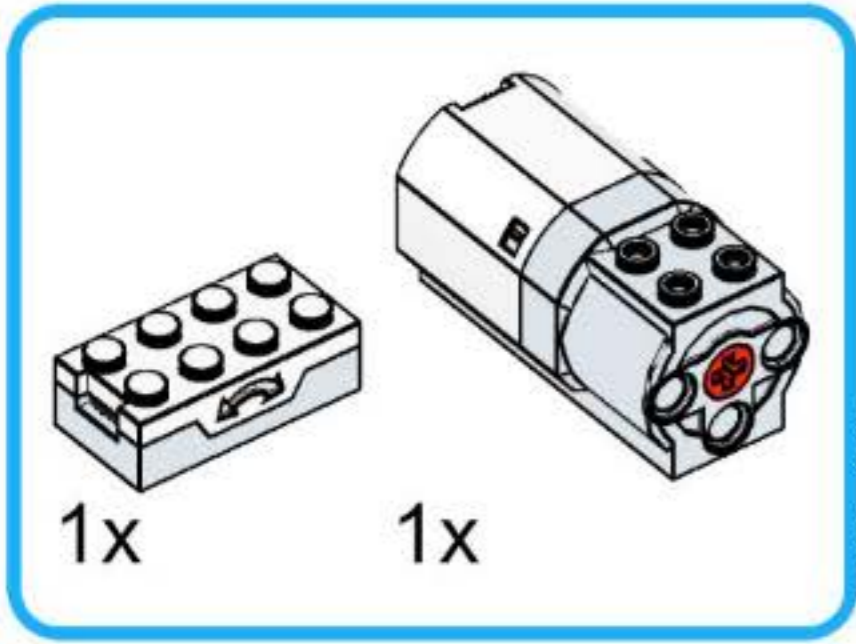


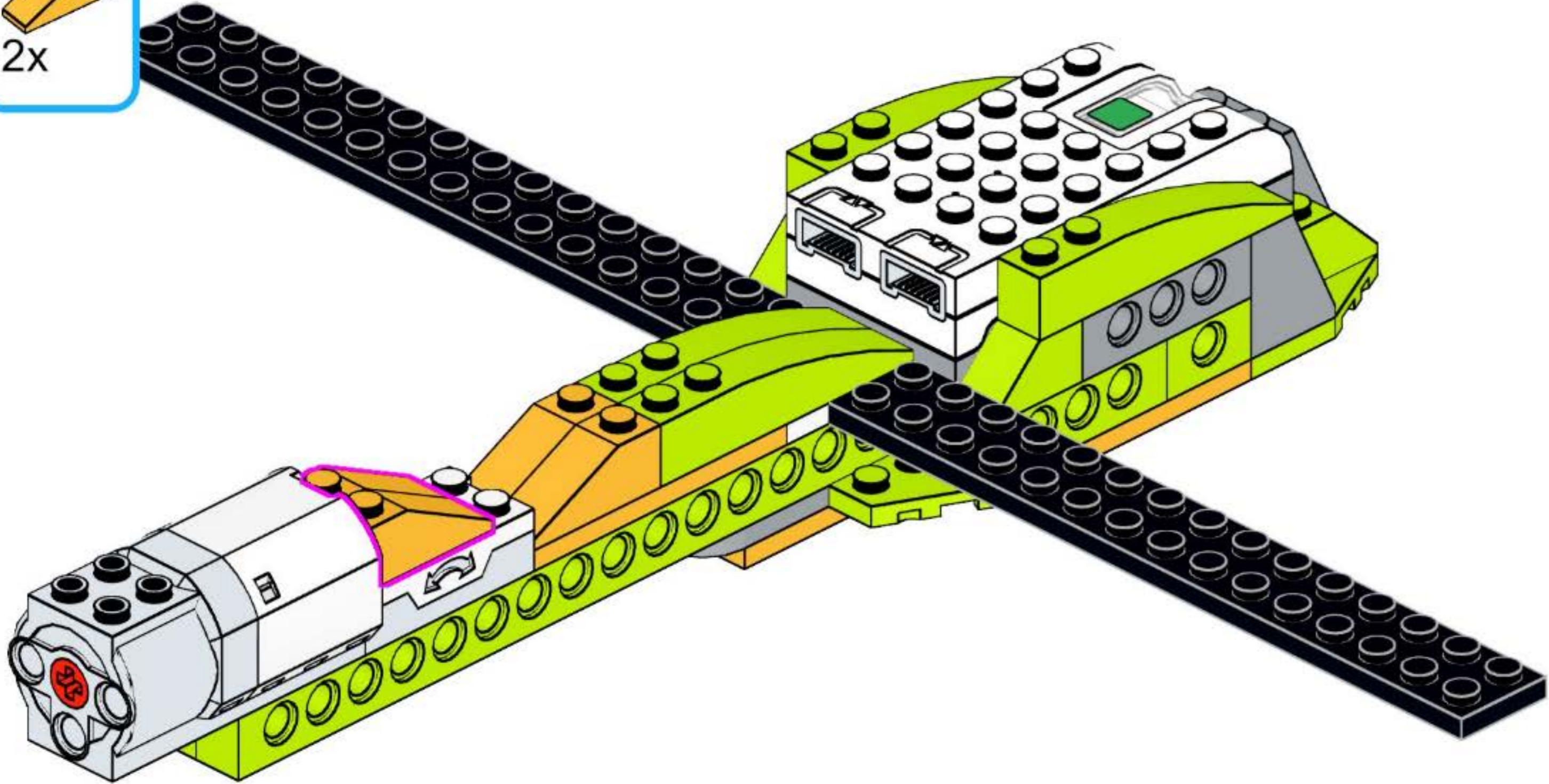


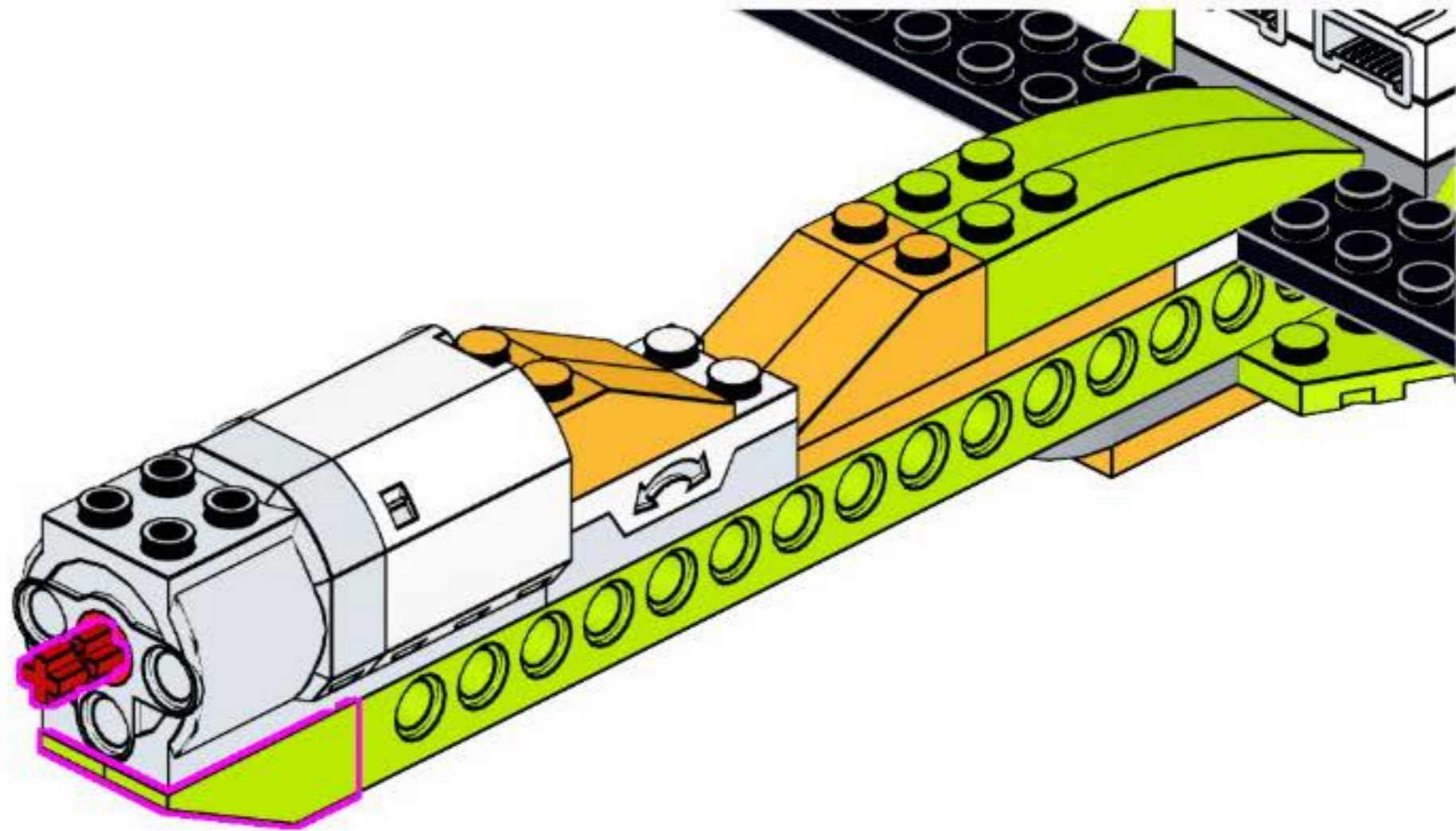
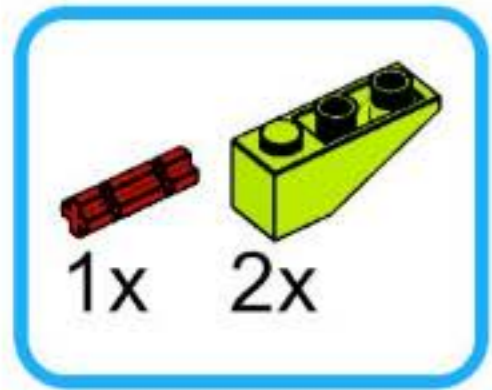


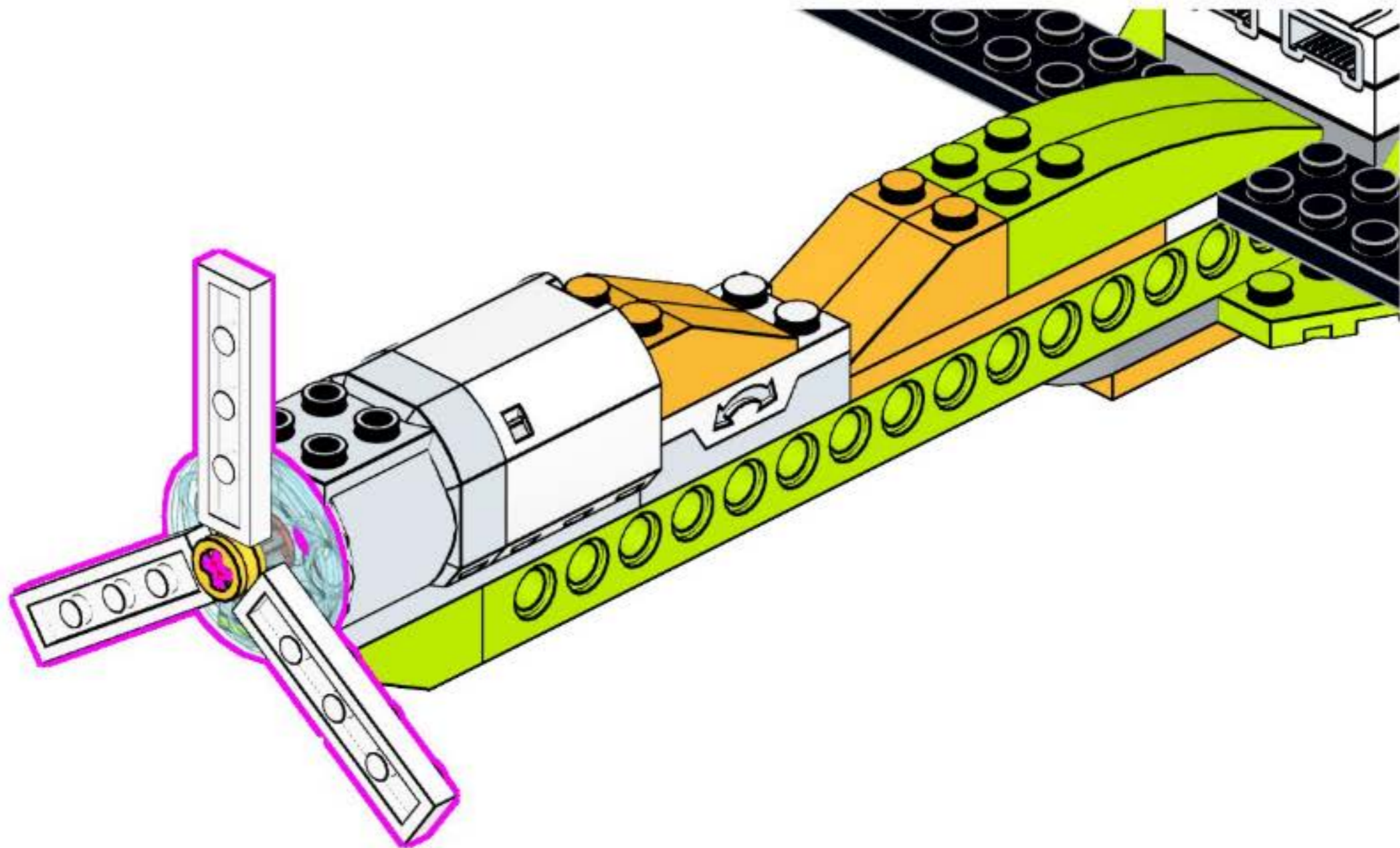
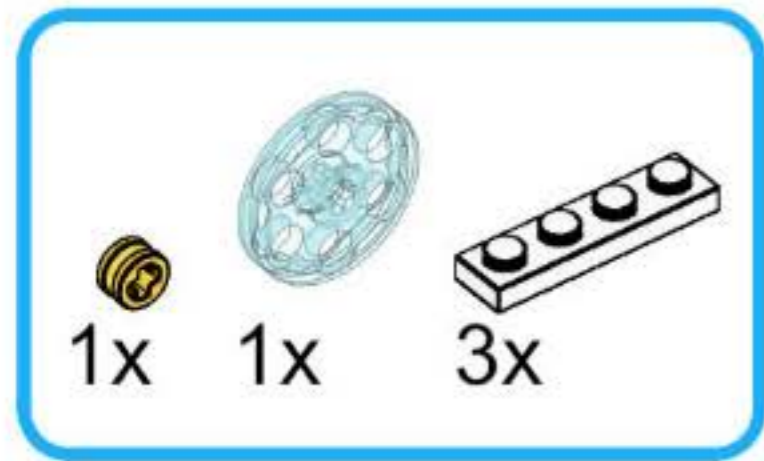


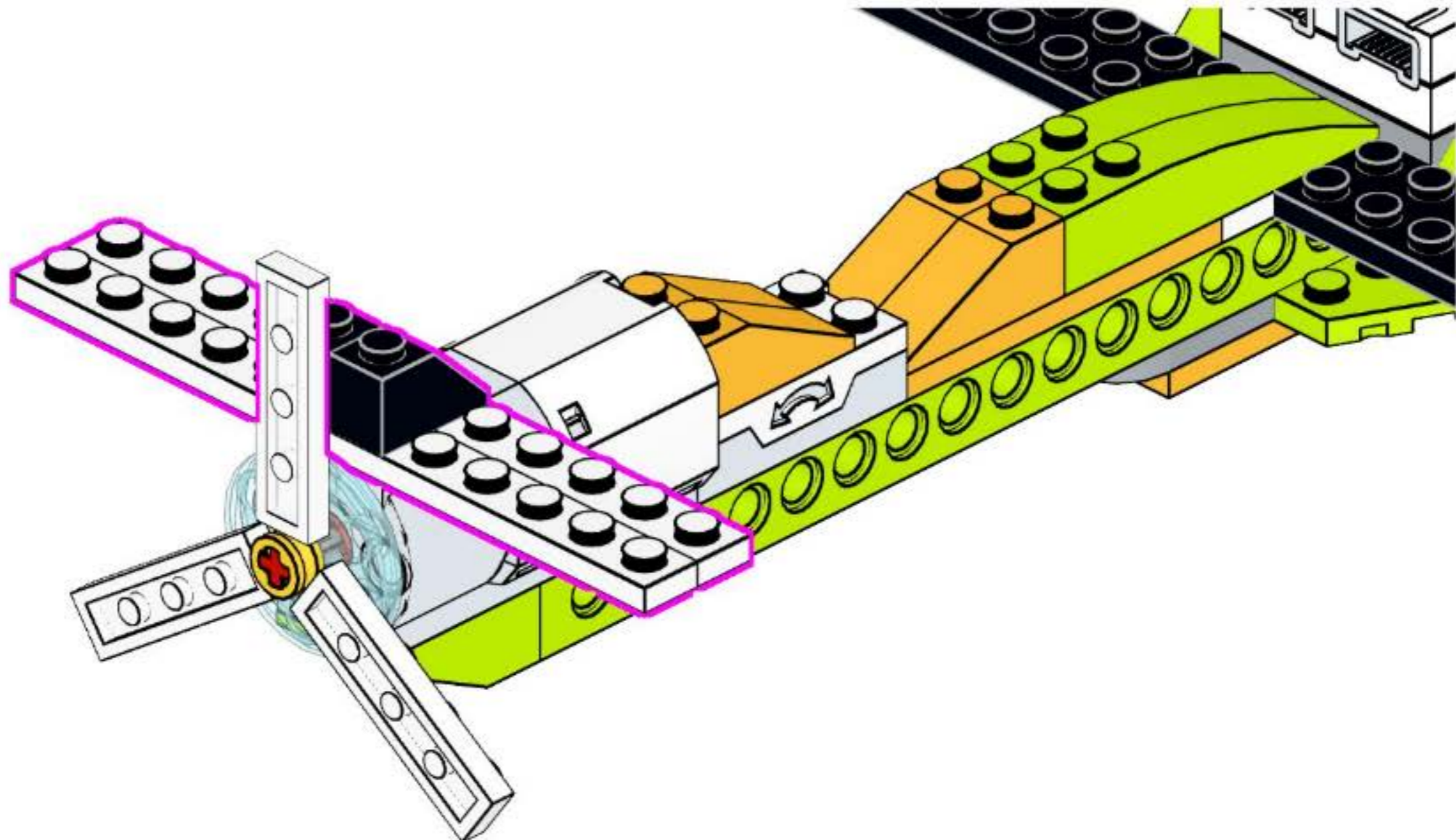
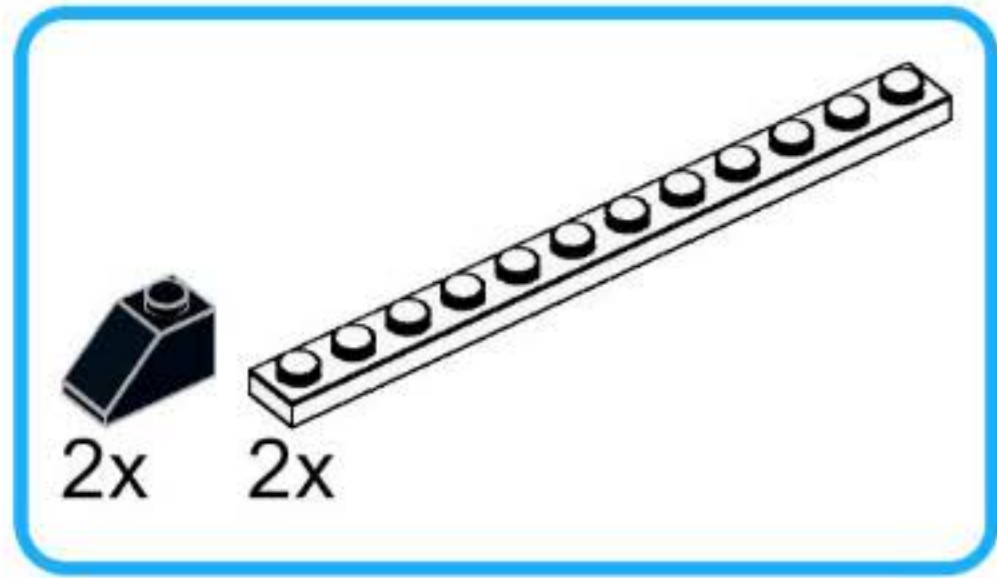


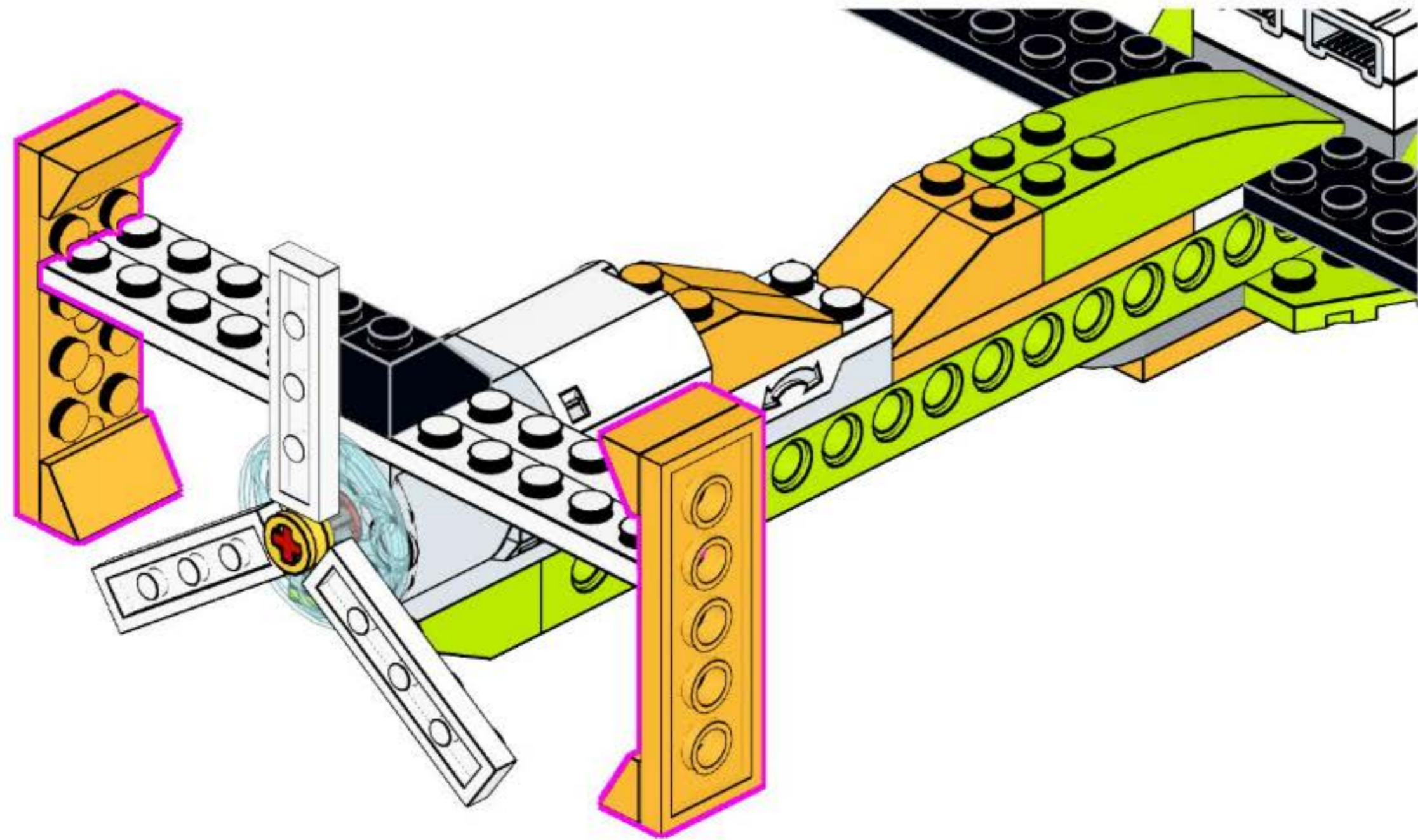
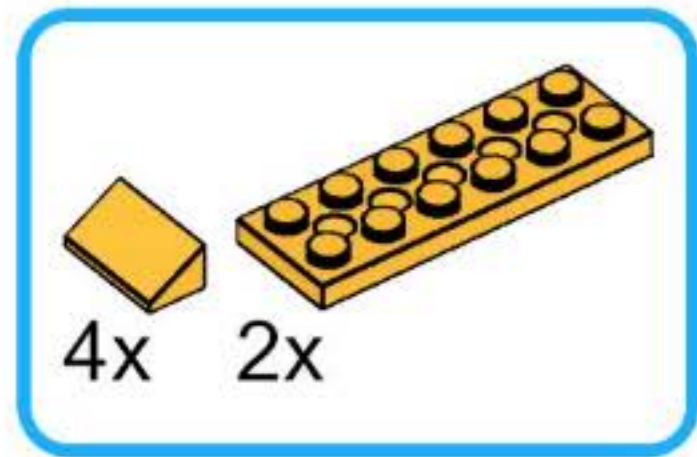


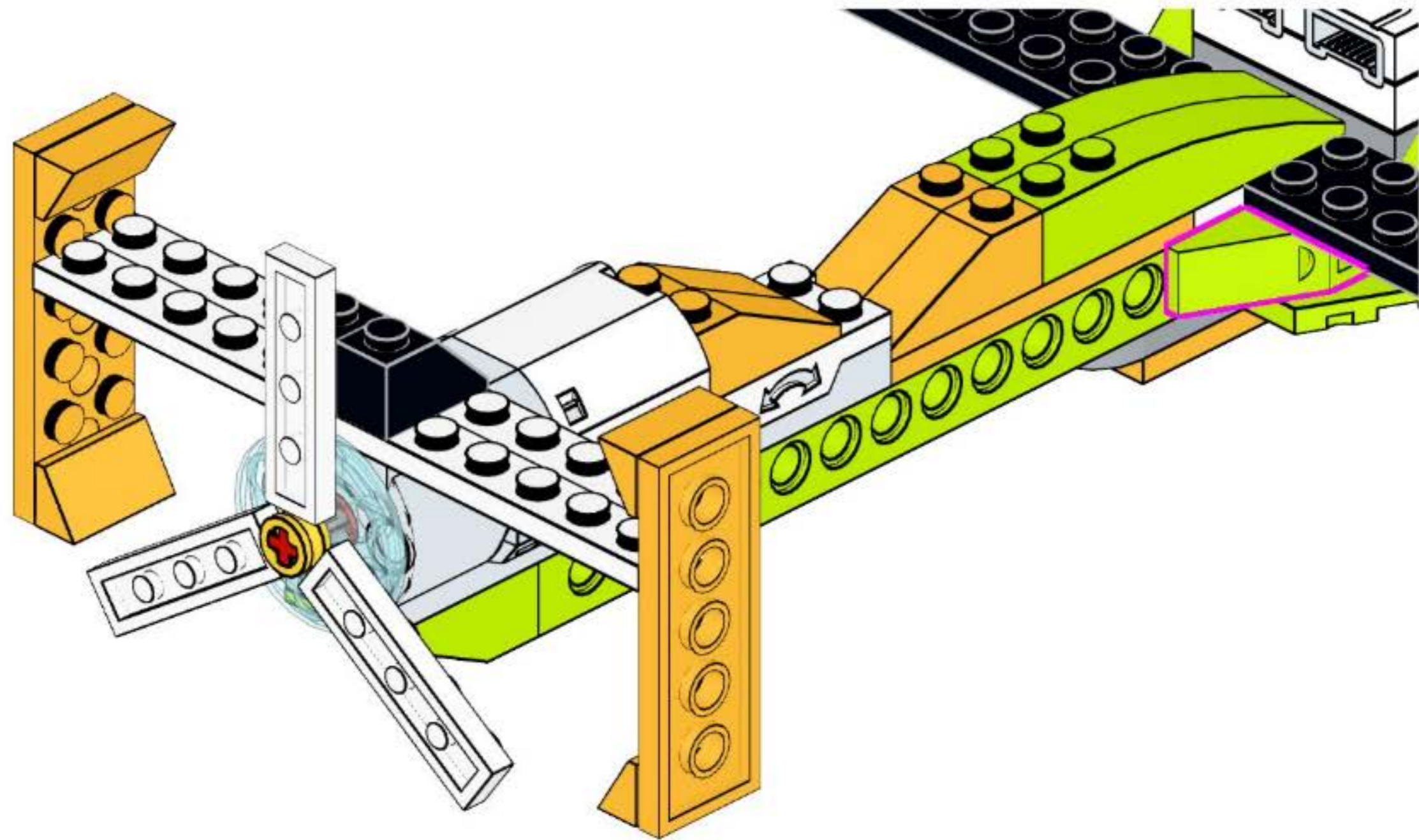
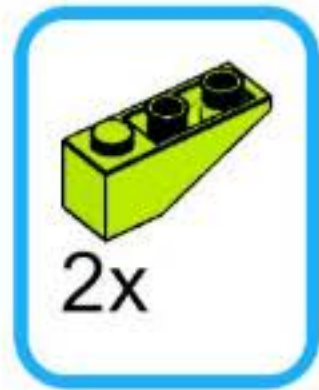


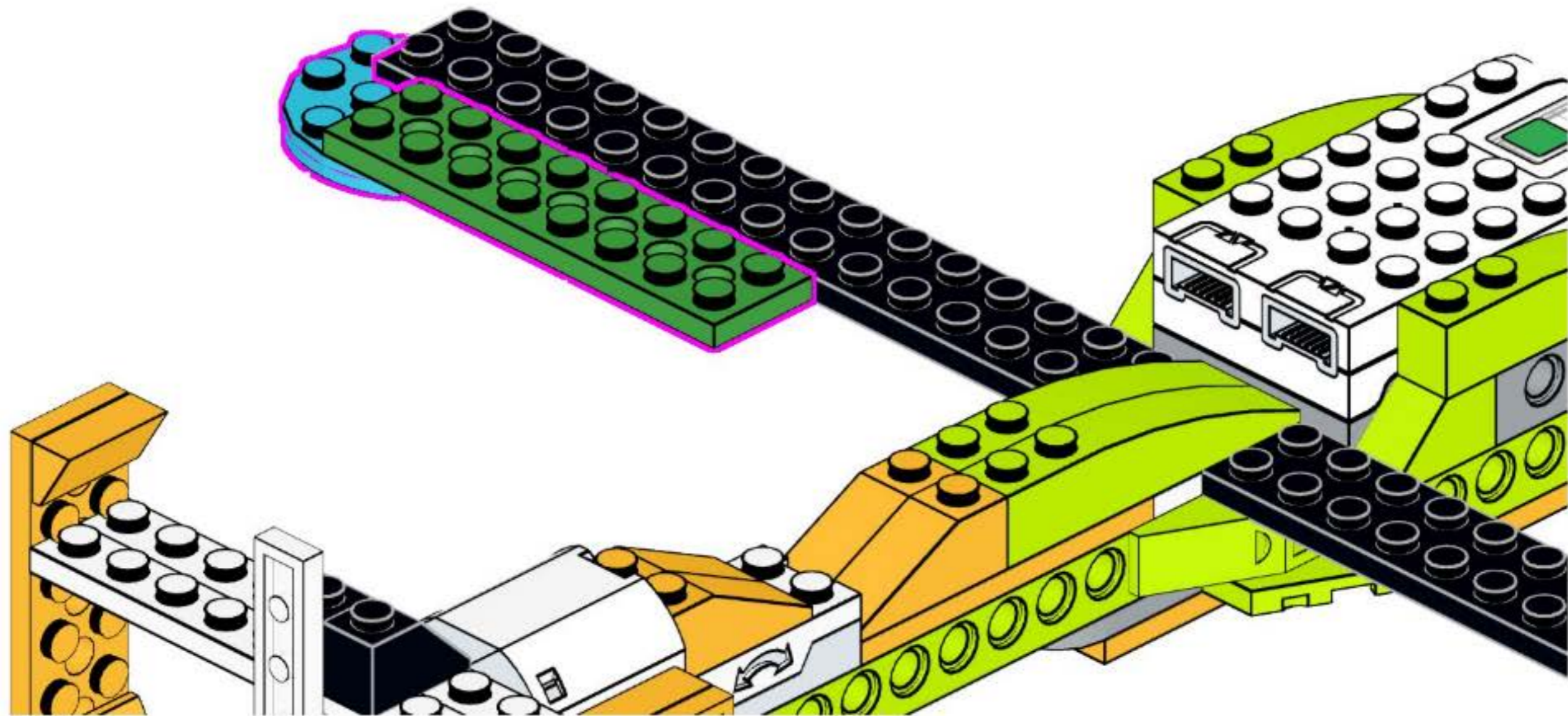
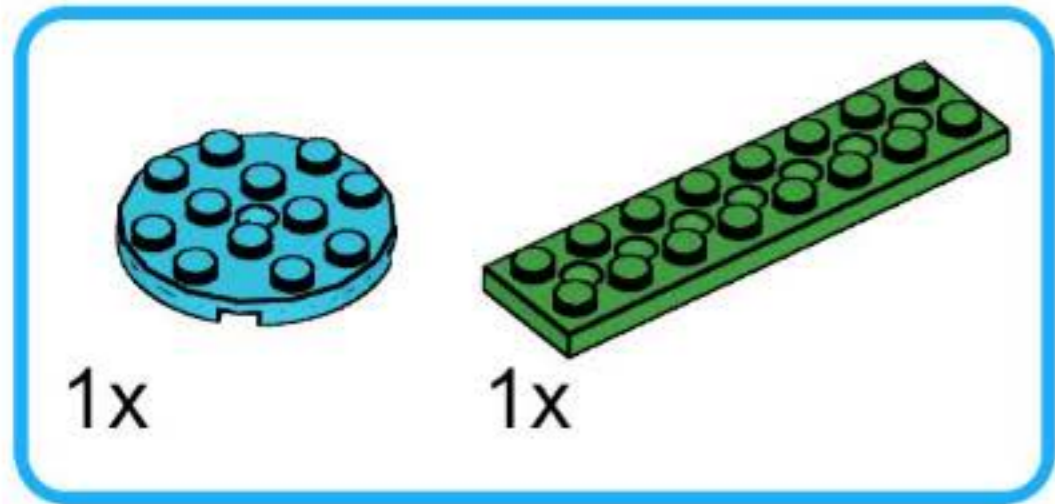


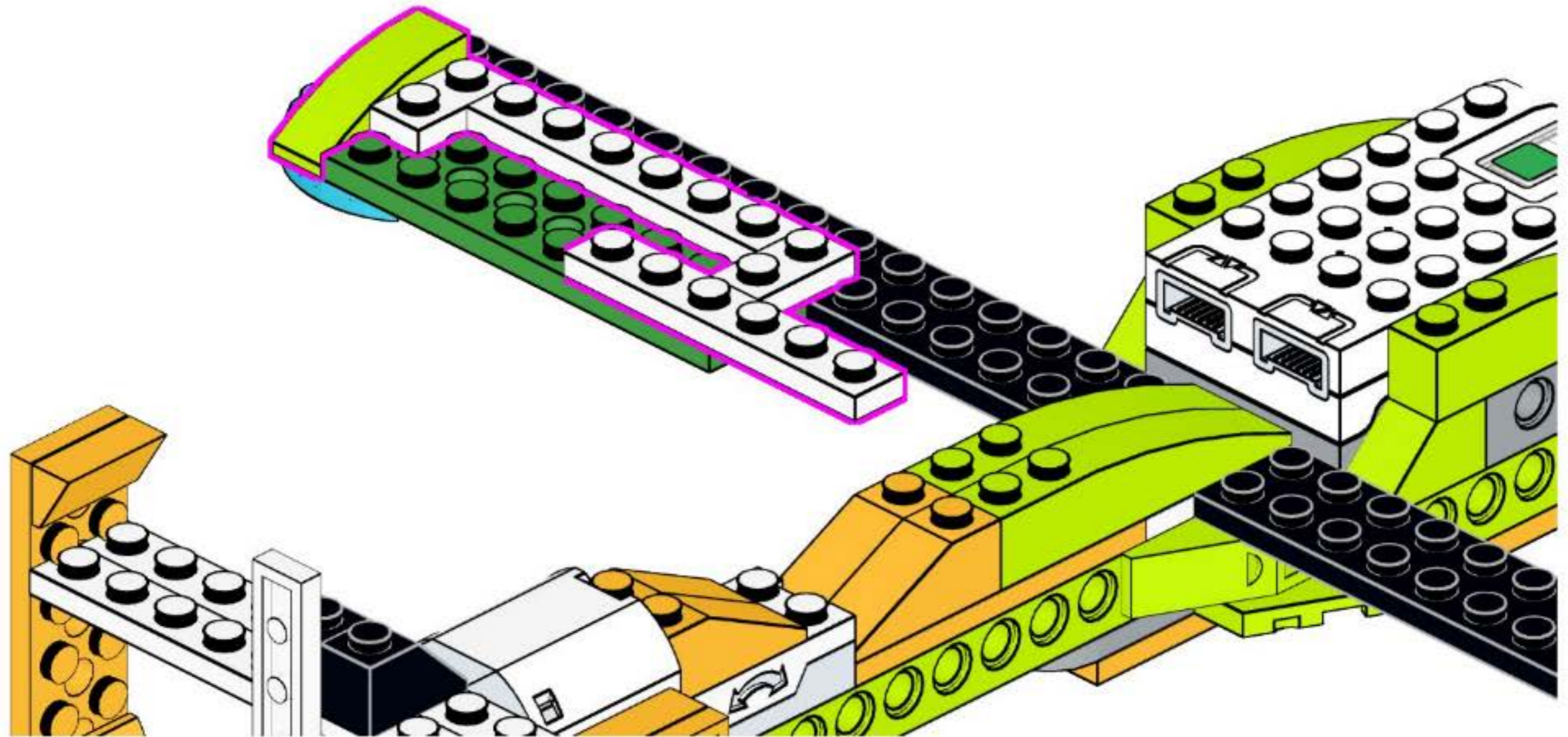
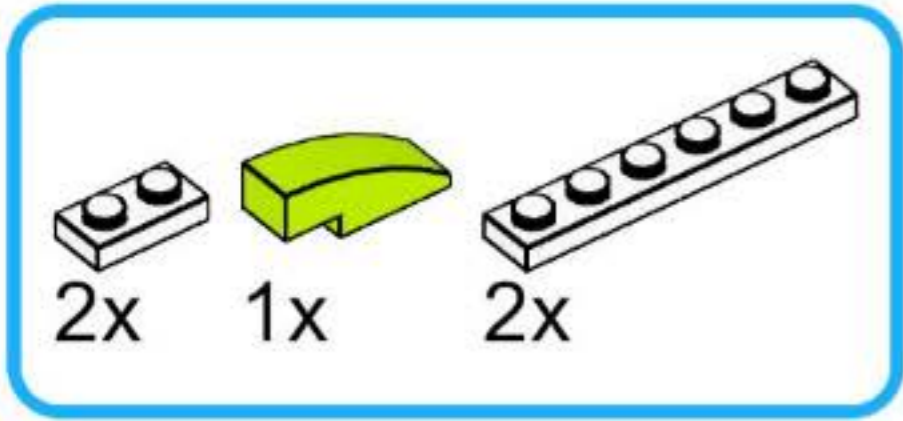


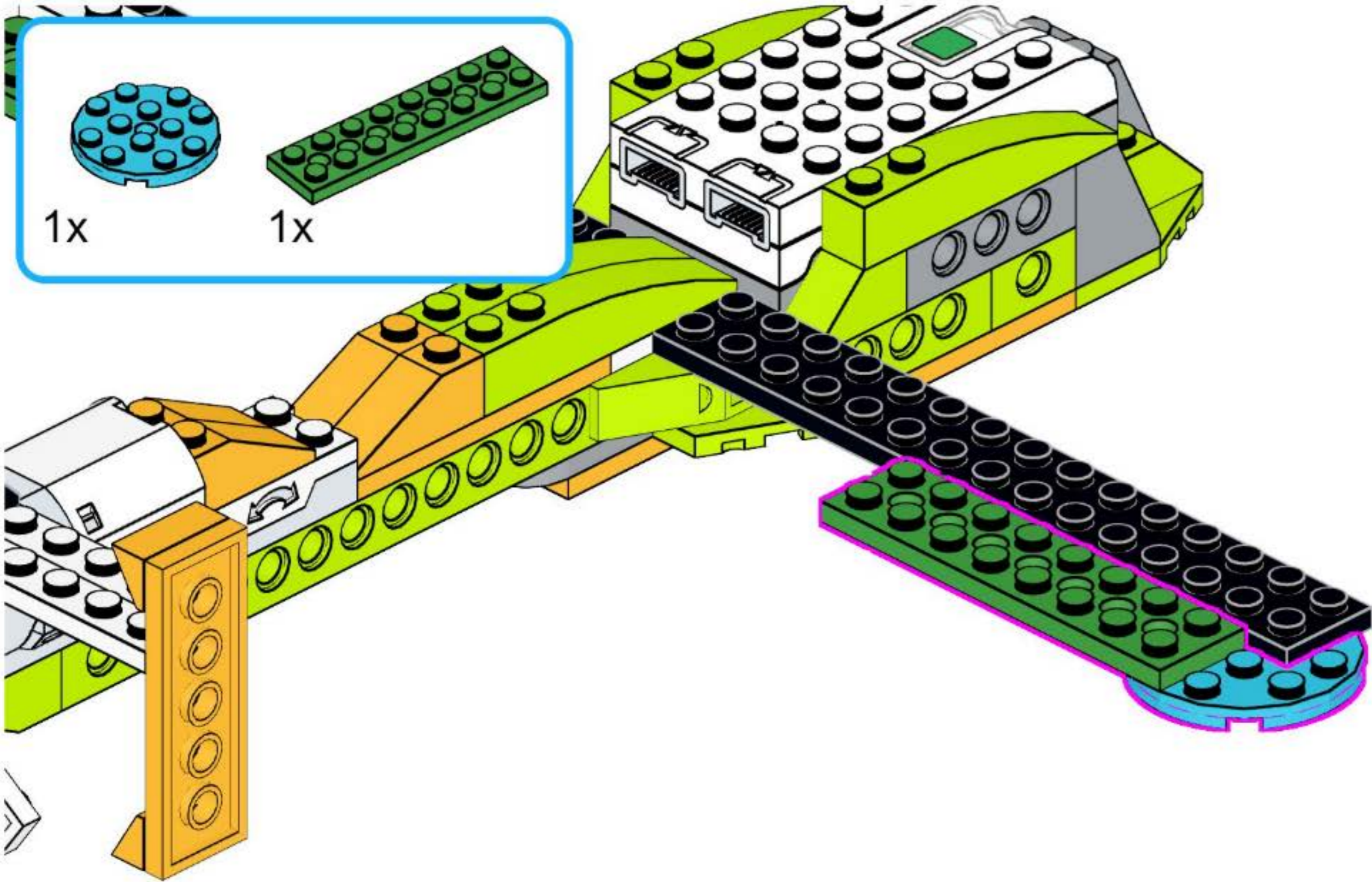


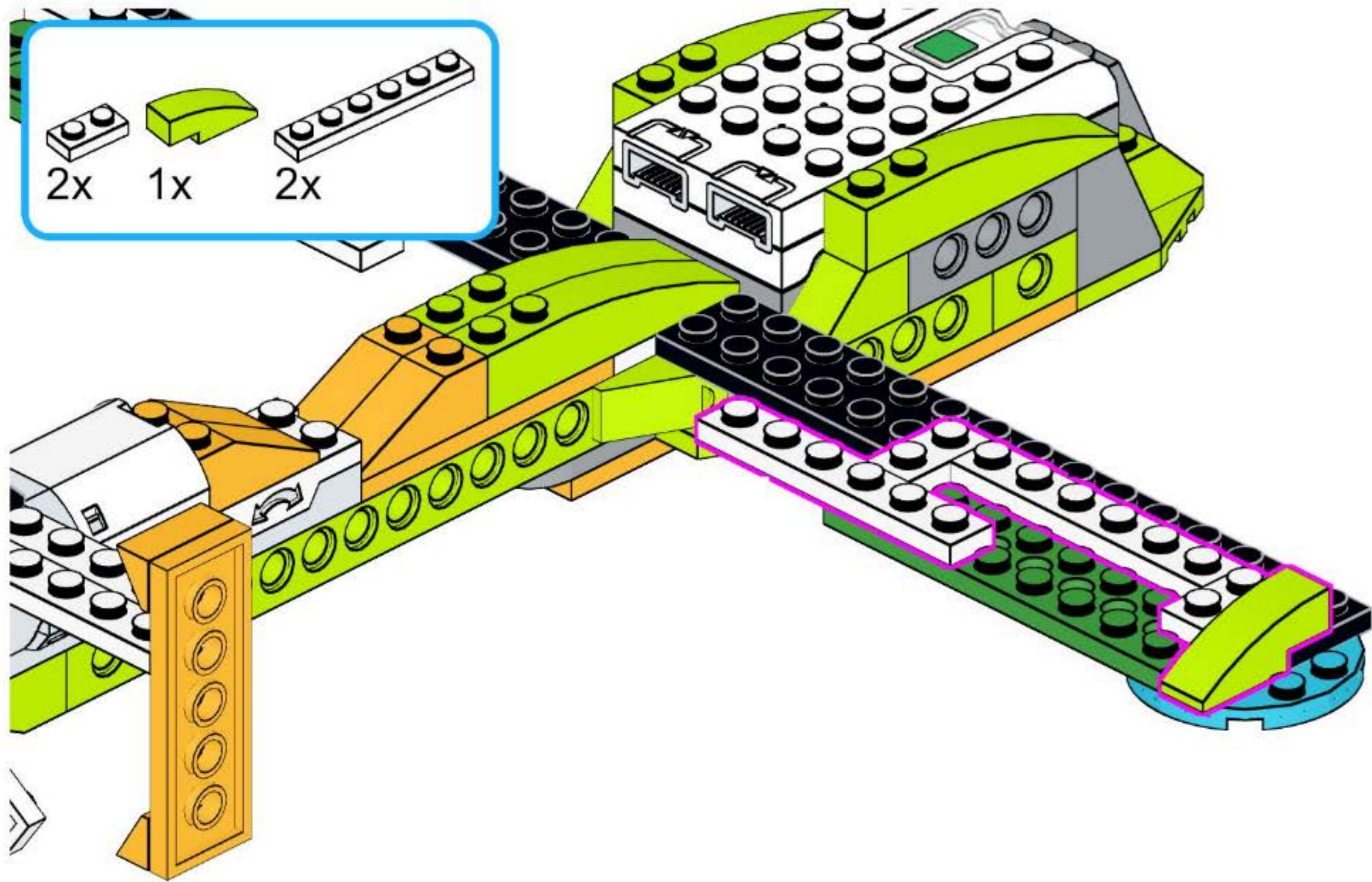


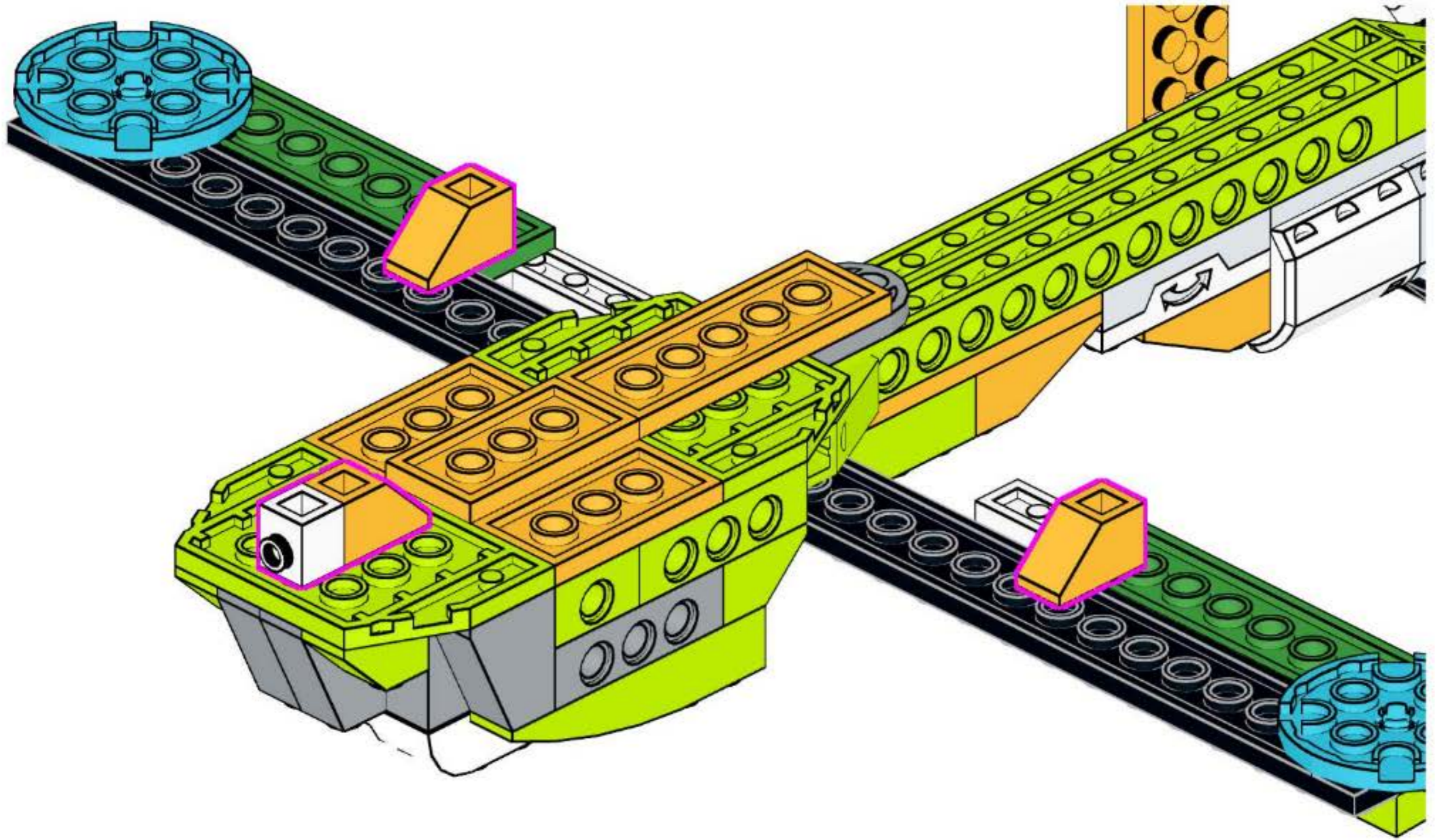
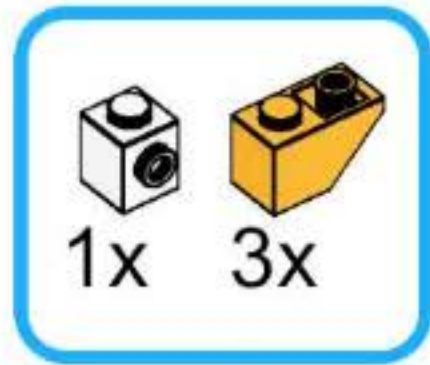


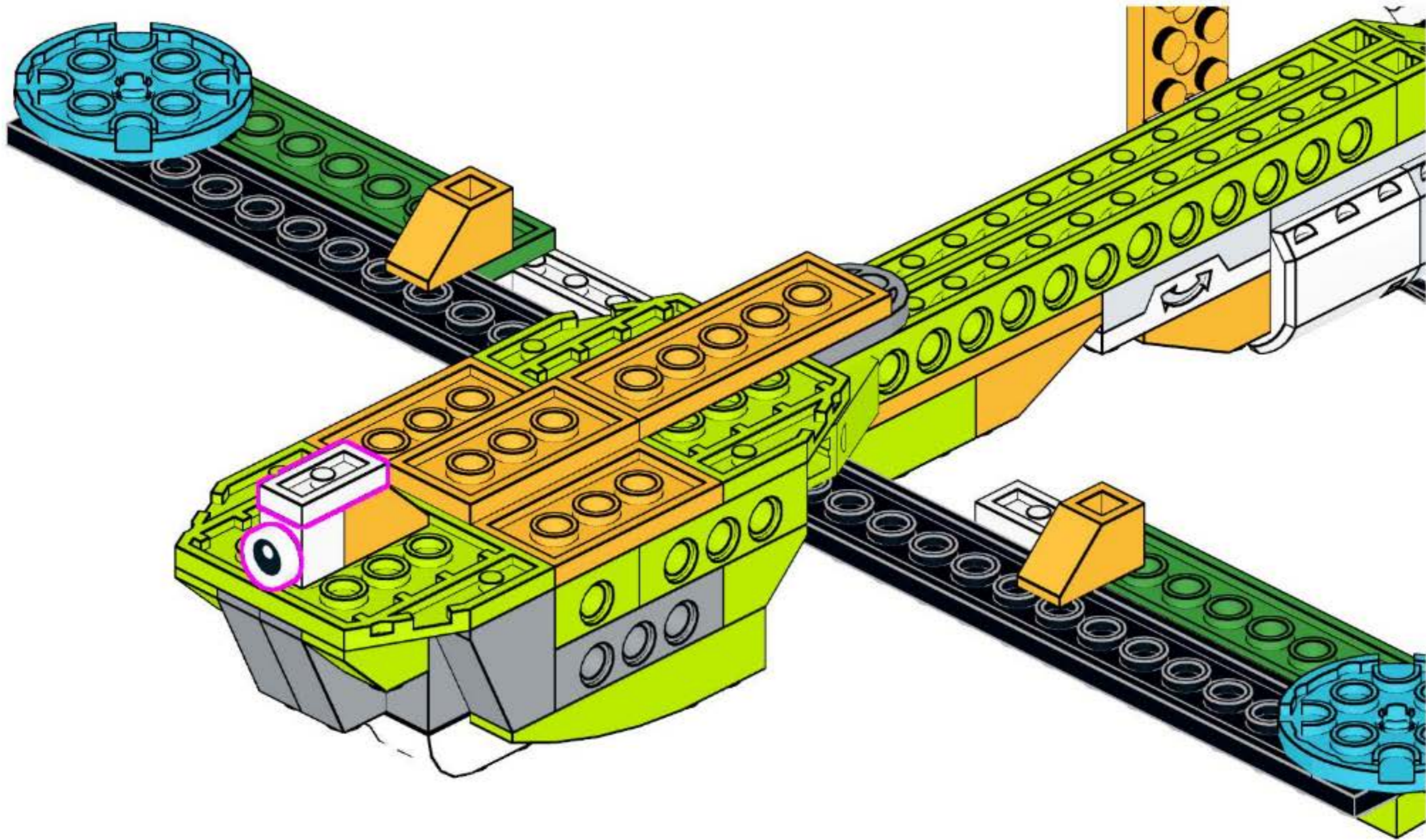
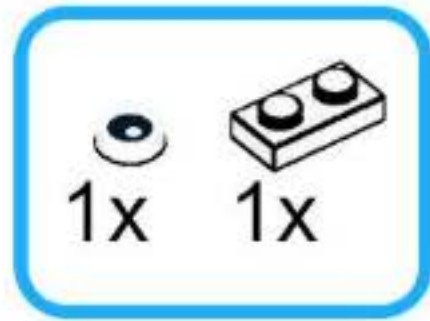


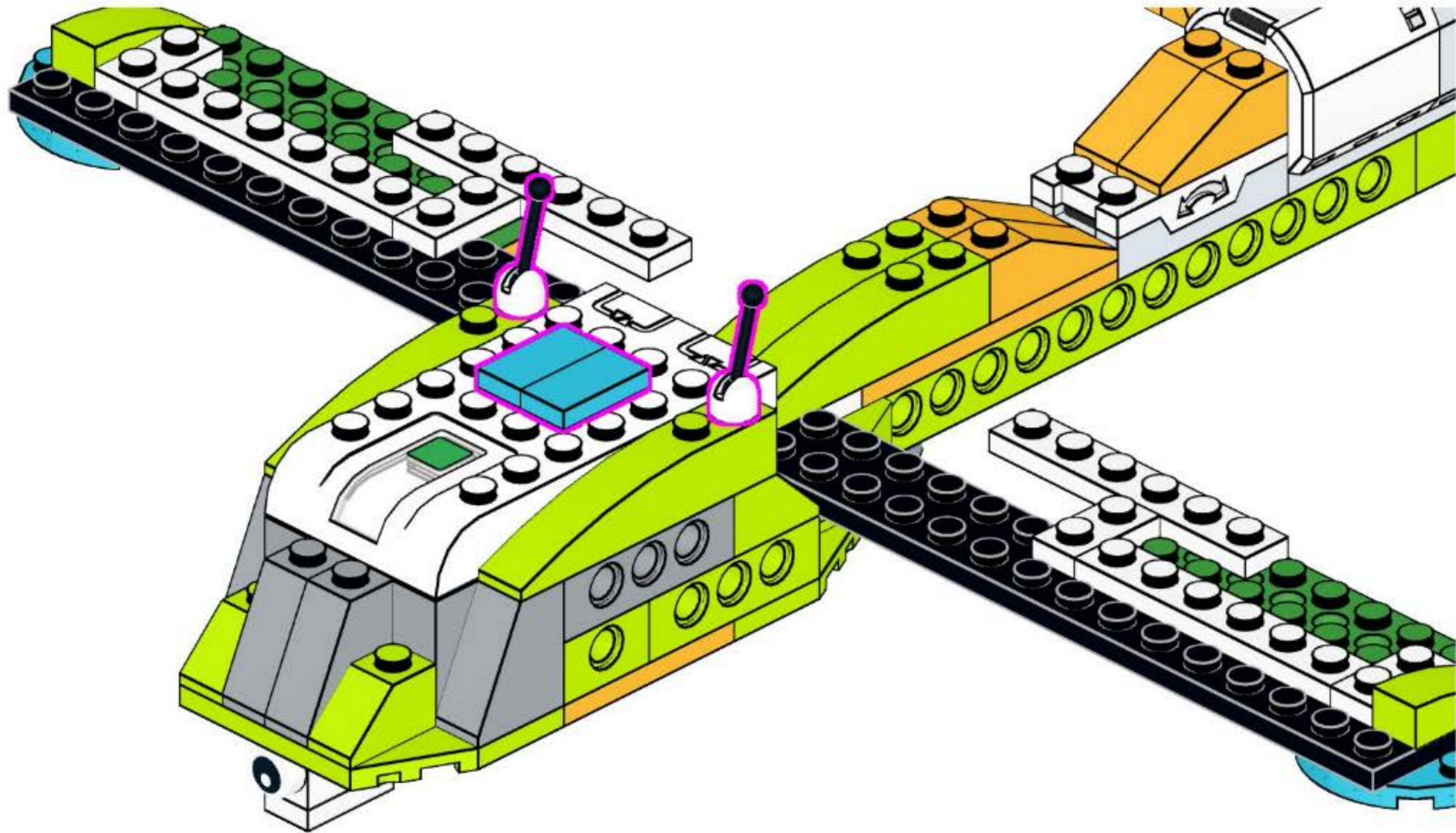
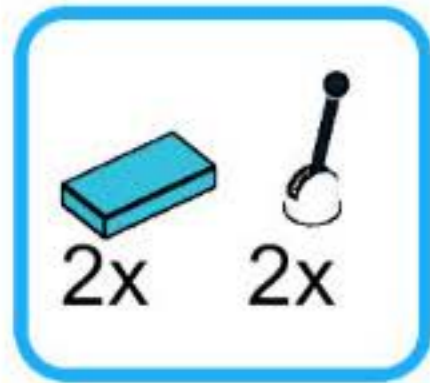


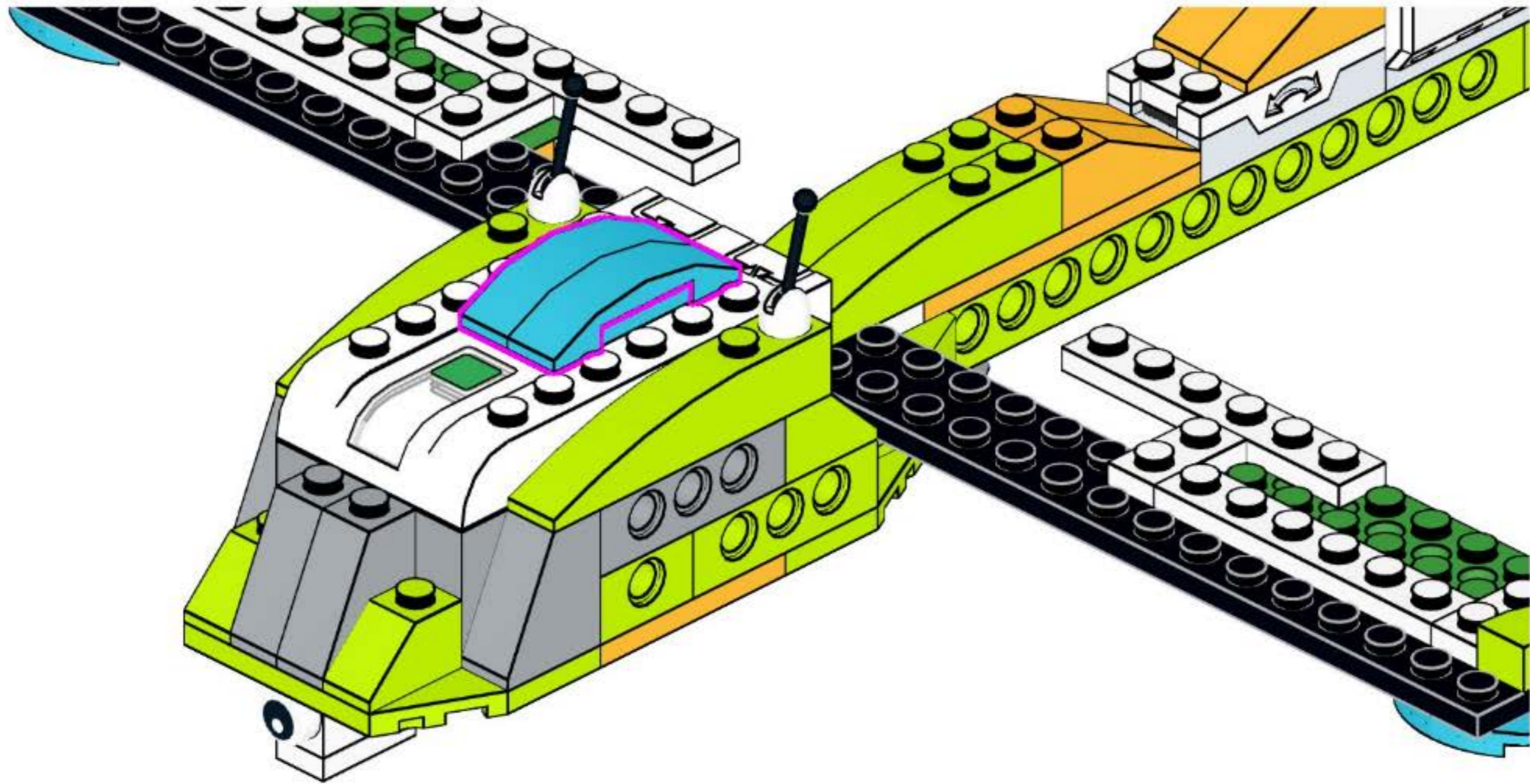


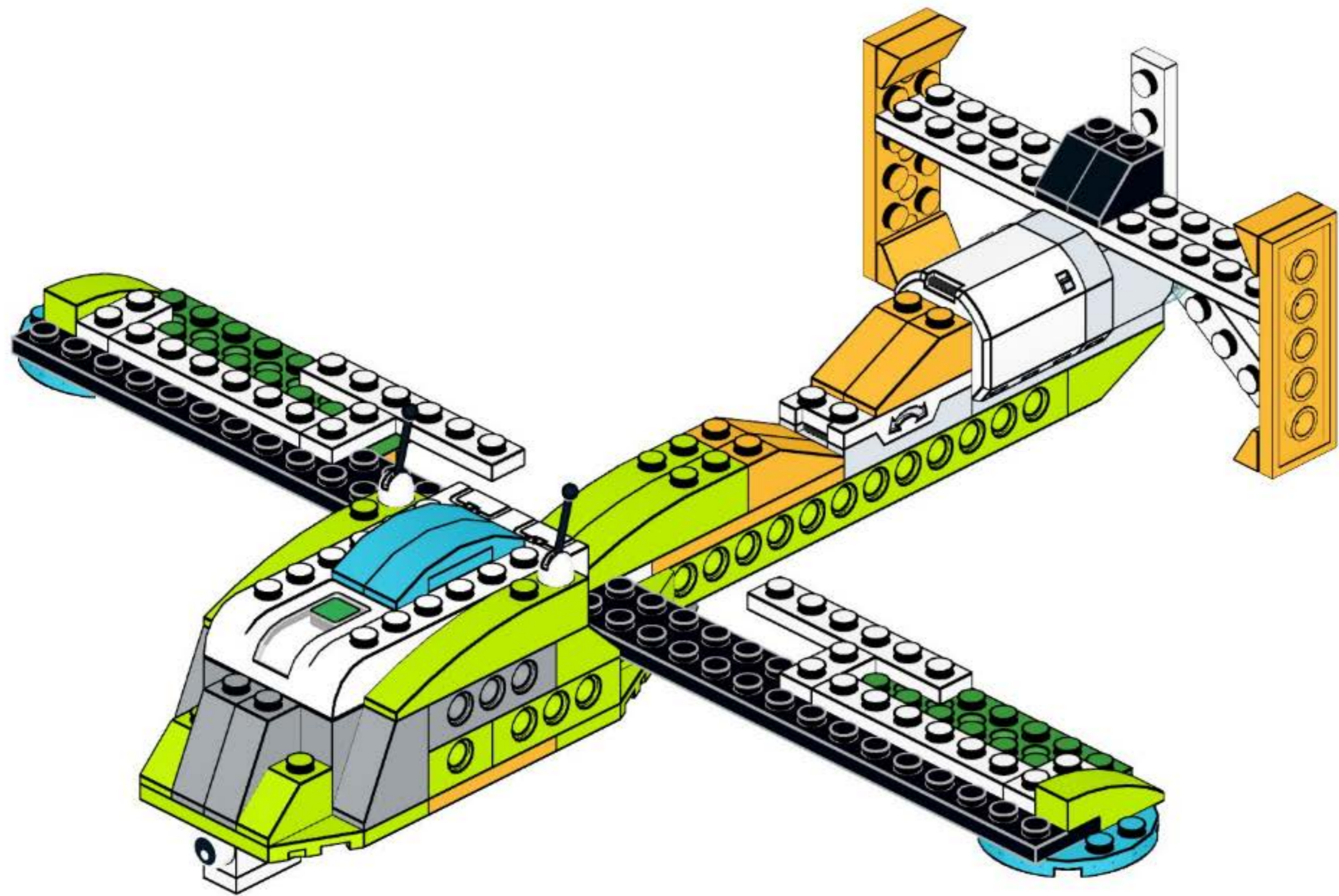


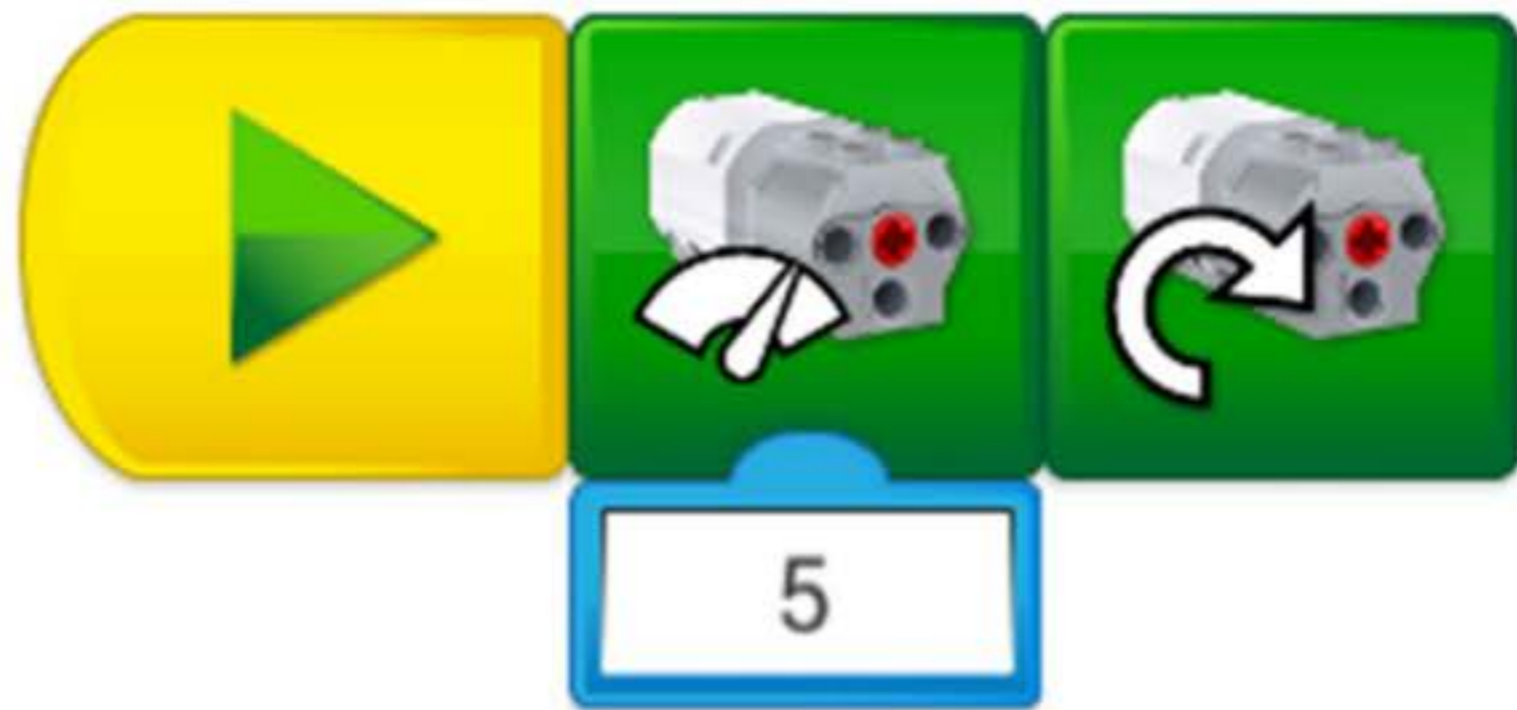




















Task 1



Write a program that turns on the motor at the highest power when the UAV needs to take off.



Task 2



Write a program that turns off the engine when the UAV lands.



Task 3

Write a program that turns on the UAV motor at an average speed when it flies horizontally.



***Task 4**

Write a program that turns off the UAV engine after it has gone to land and stopped horizontally on the runway.



***Task 5**

Write a program that controls the speed of the motor depending on what position the UAV takes.

