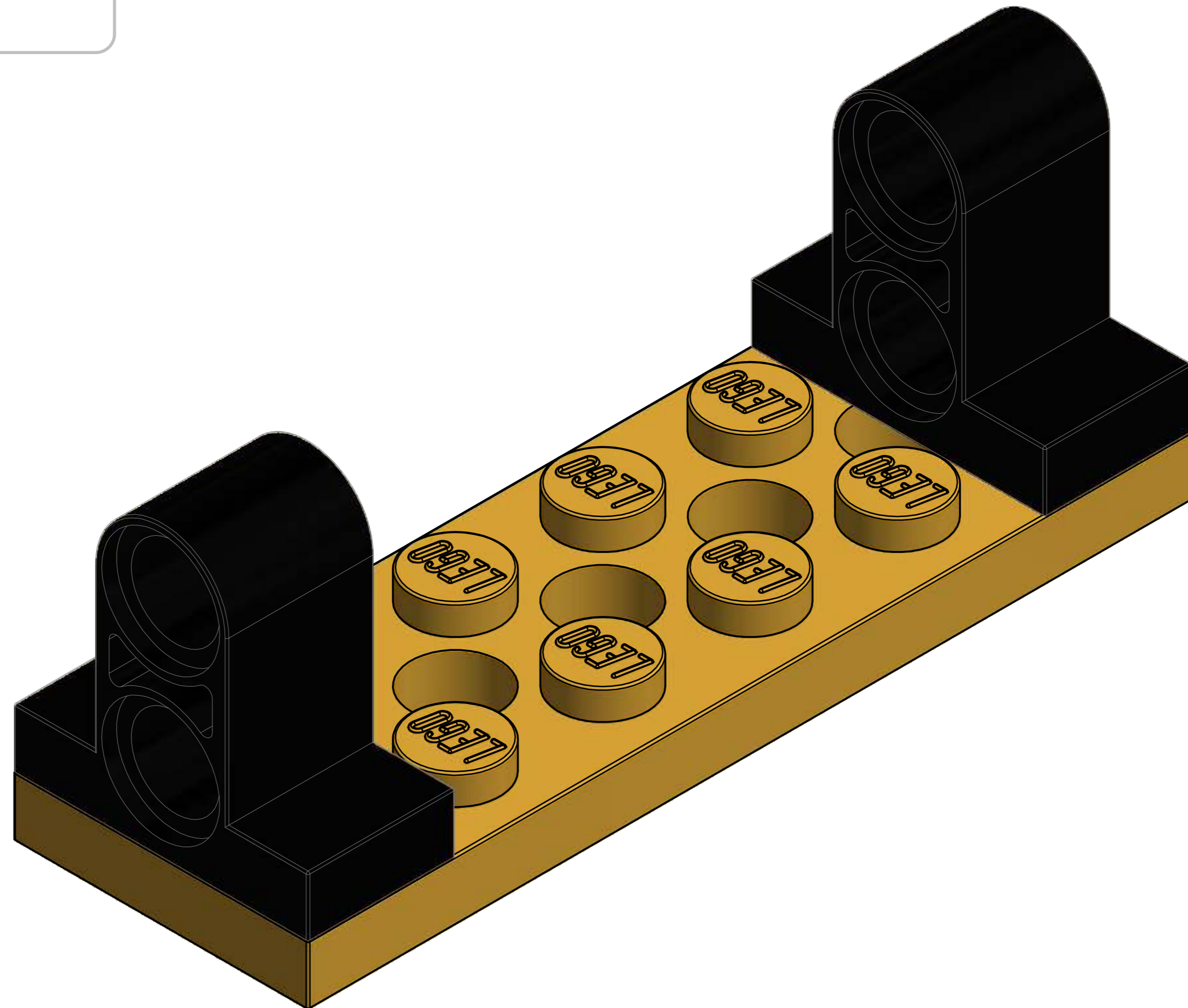


1x



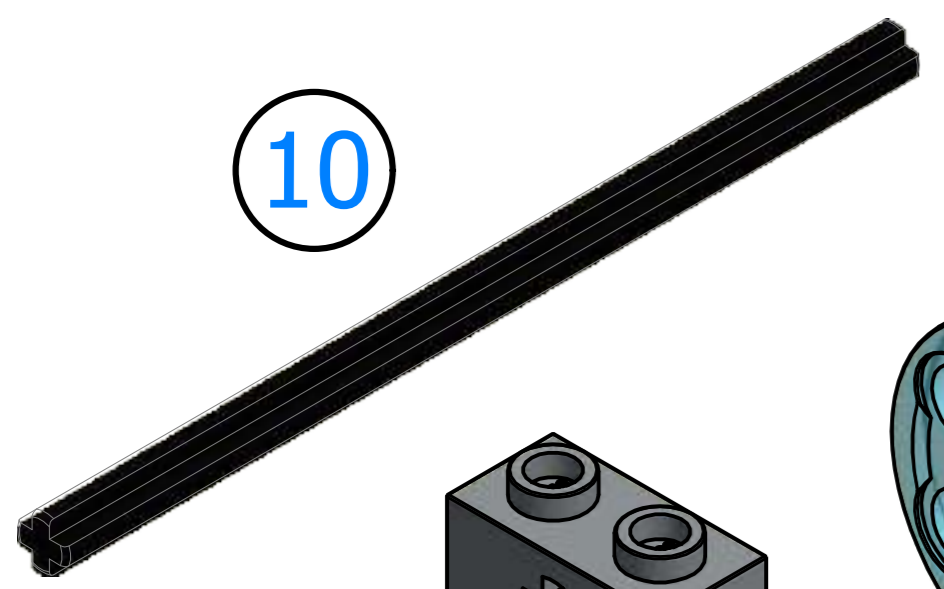
2x



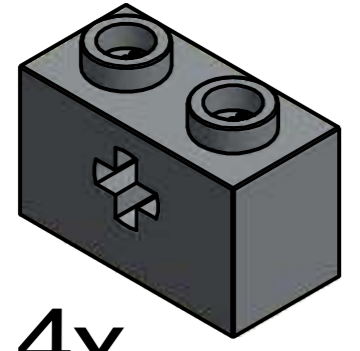
**1**



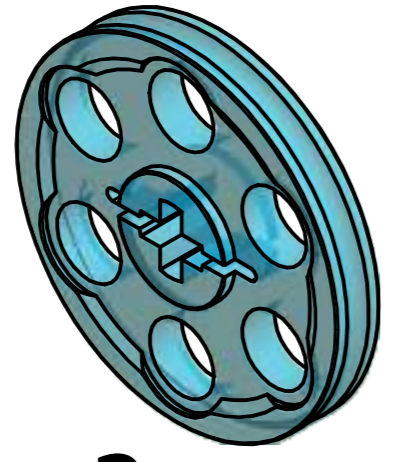
10



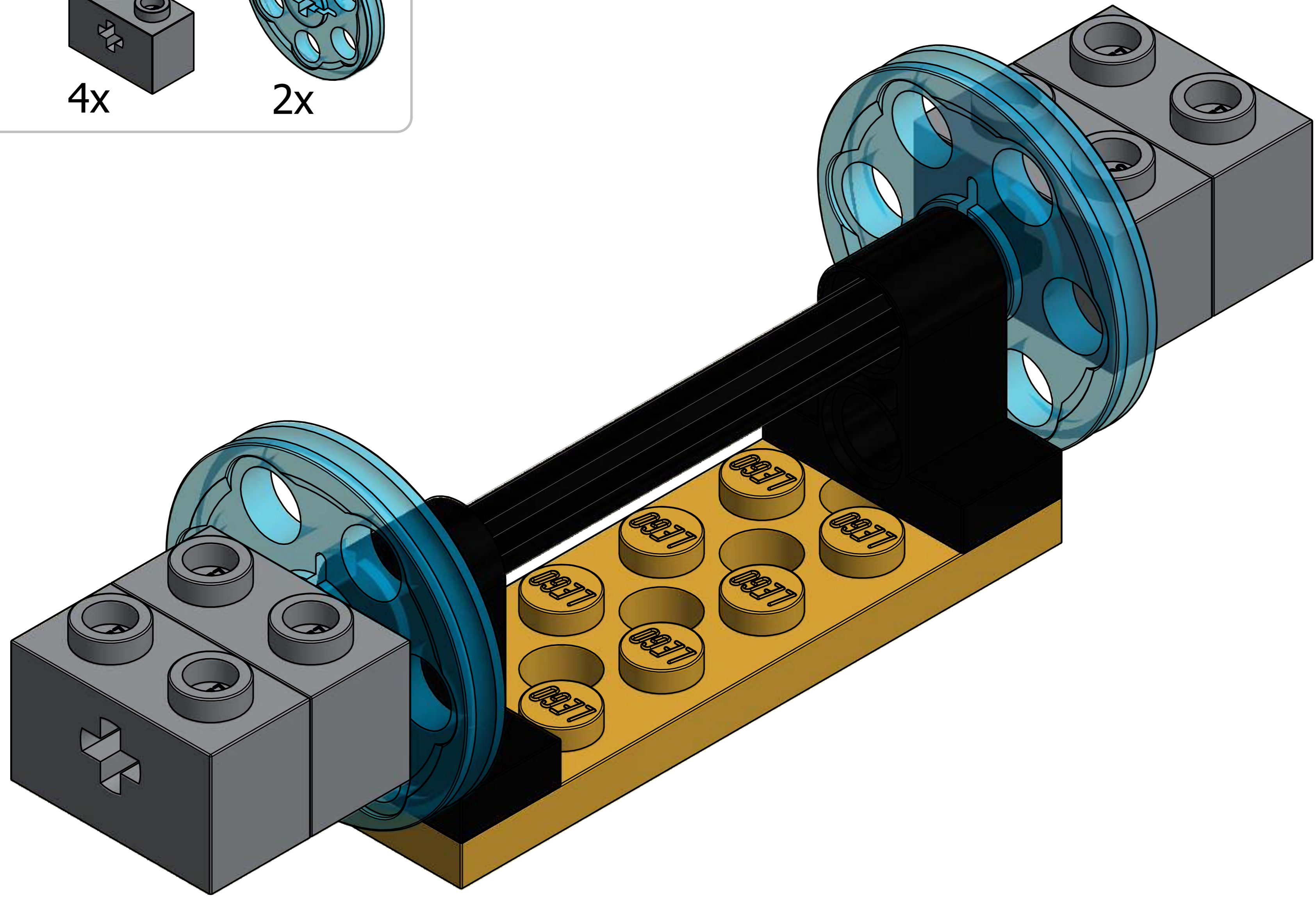
1x



4x

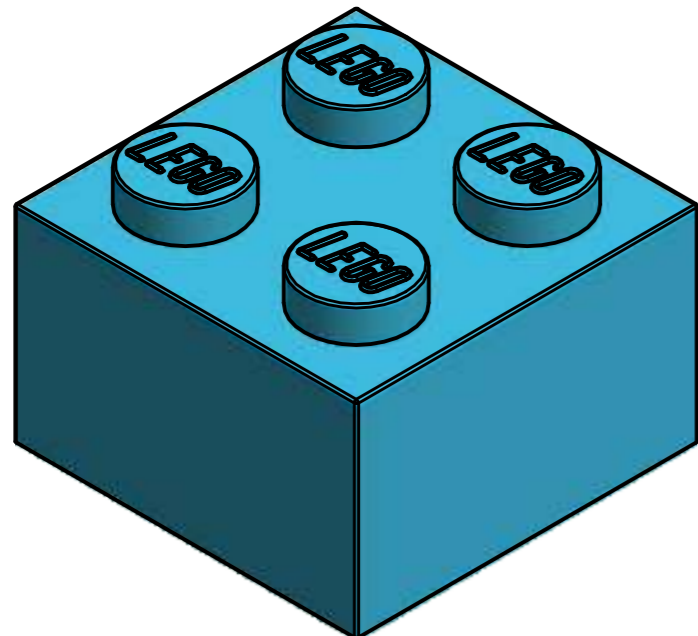


2x

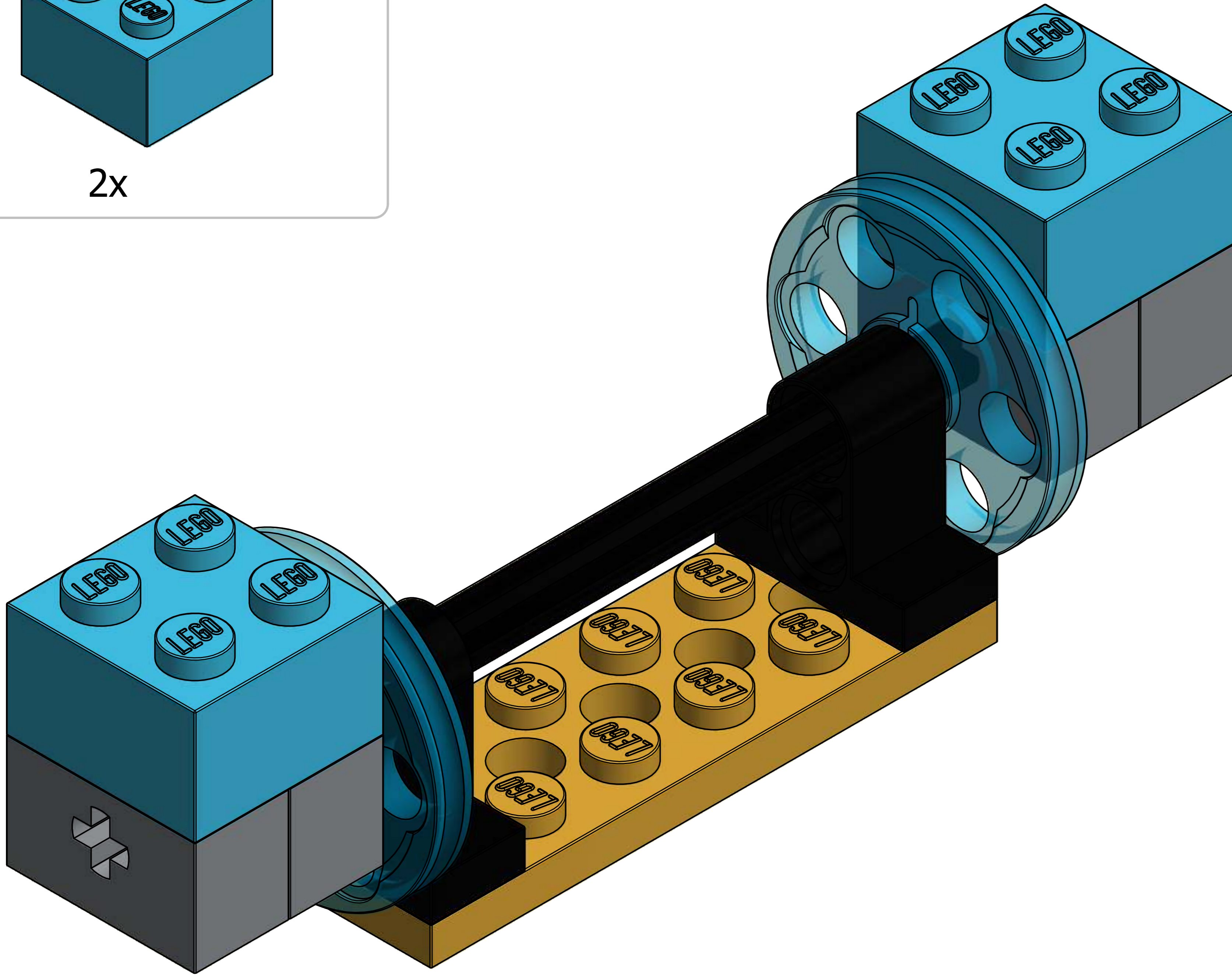


2



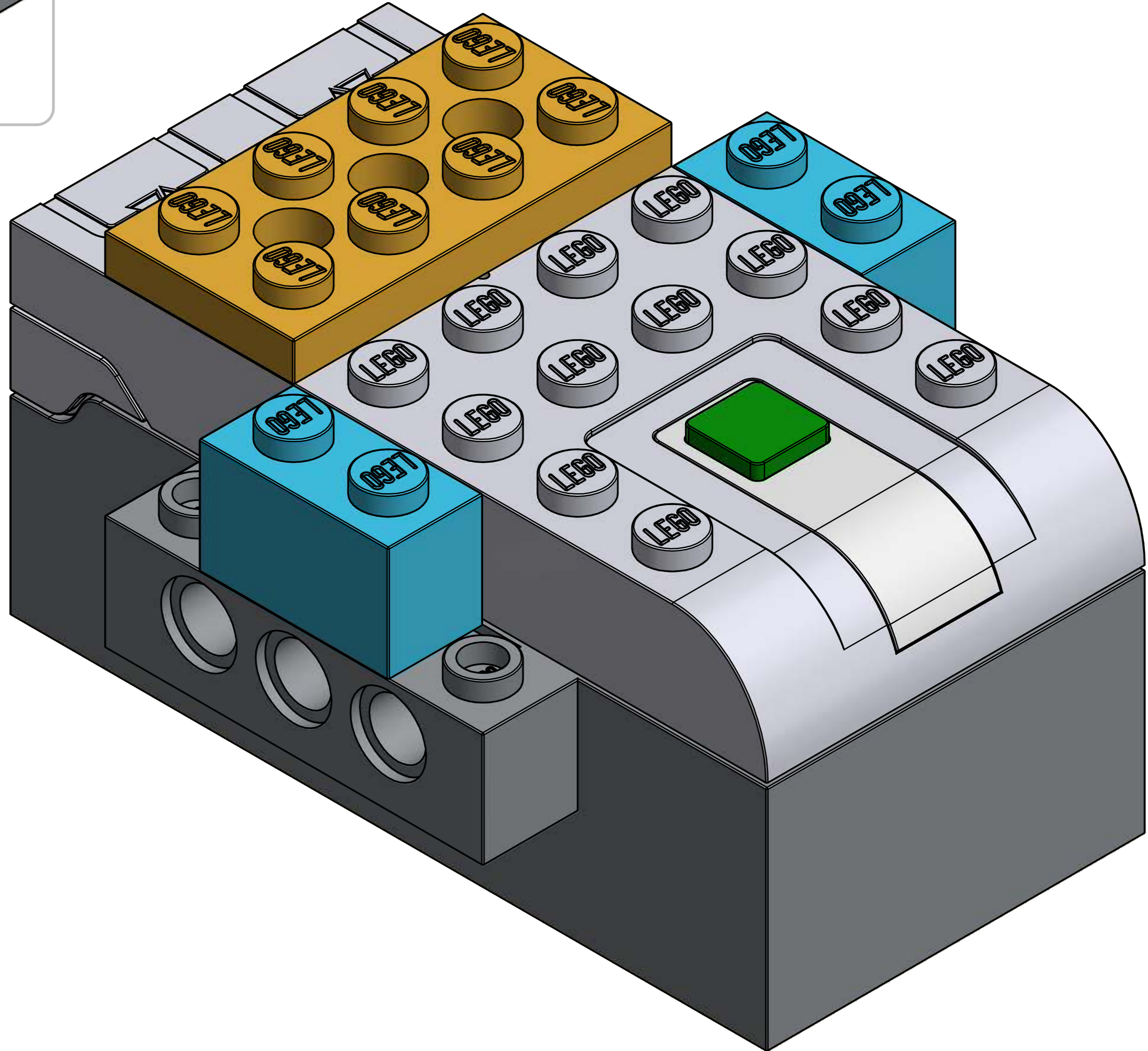
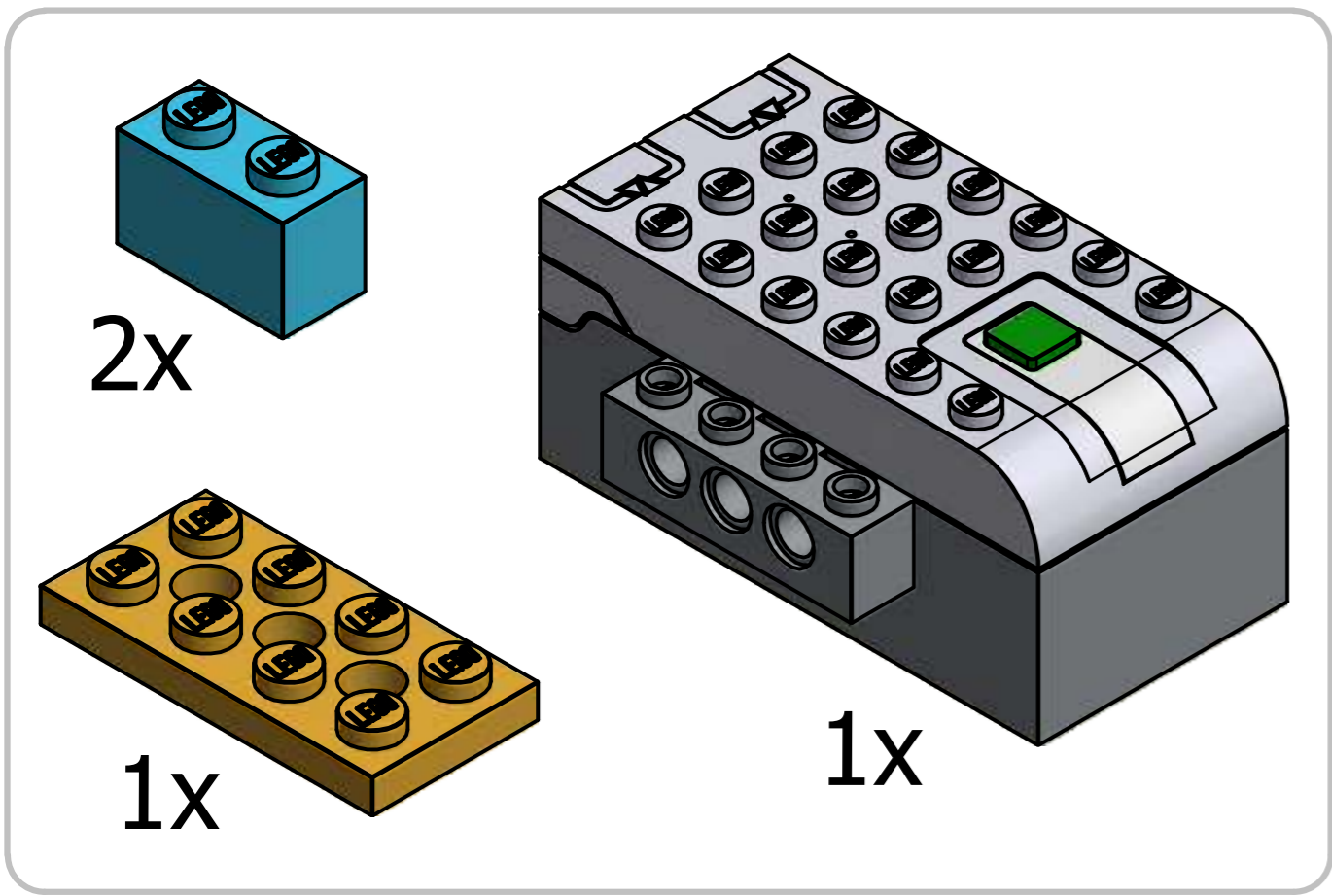


2x



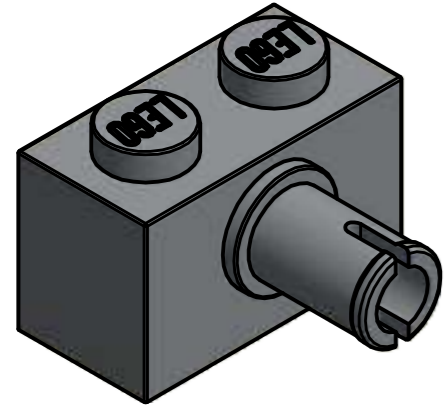
3



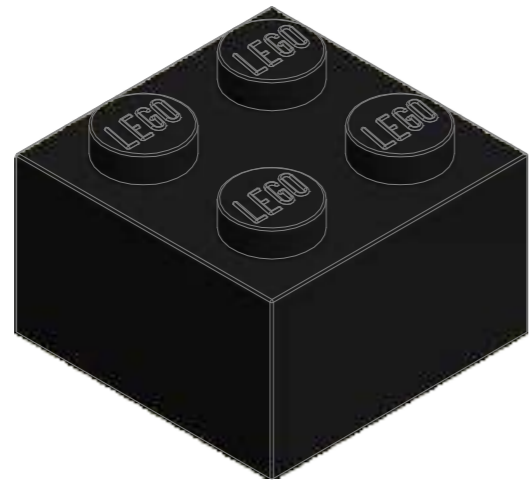


4

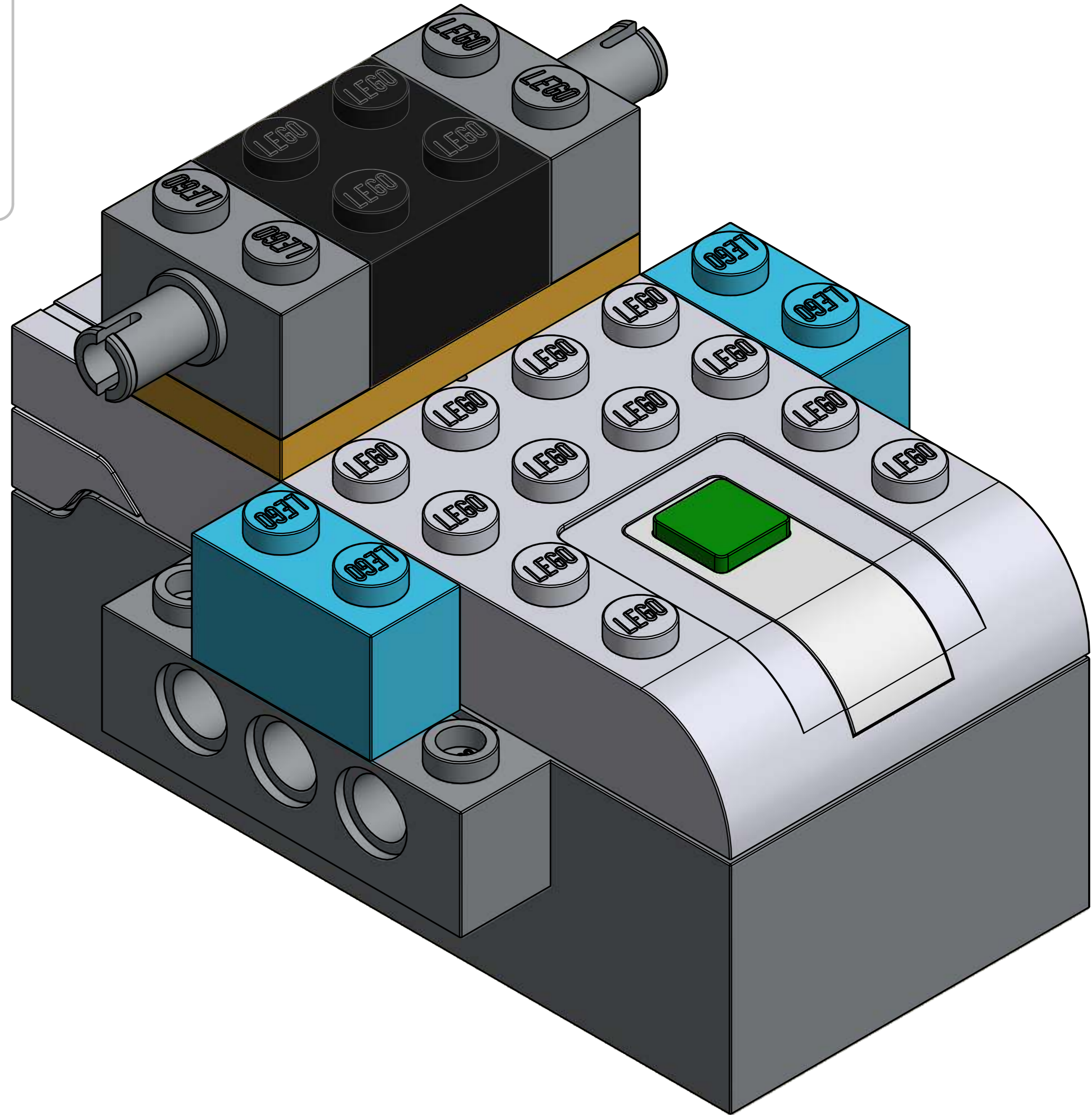




2x

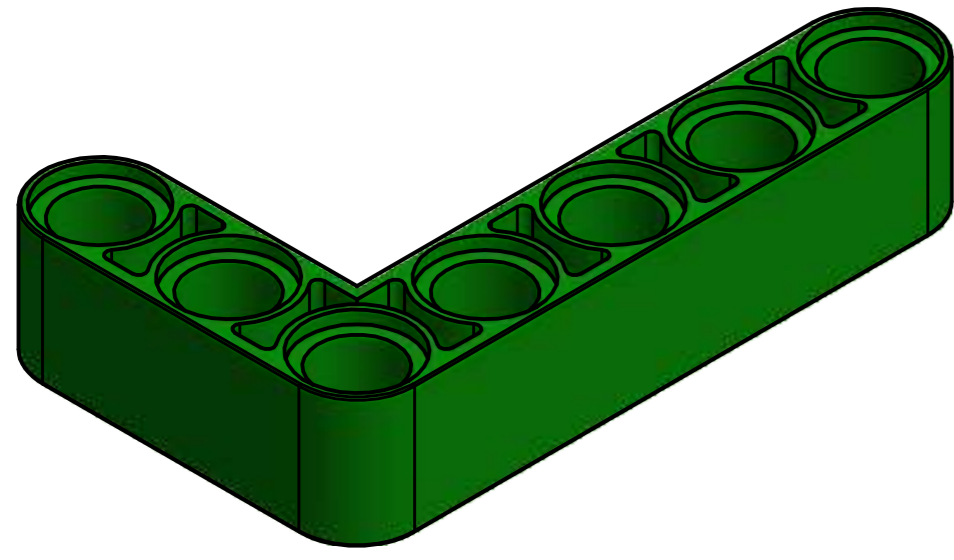


1x

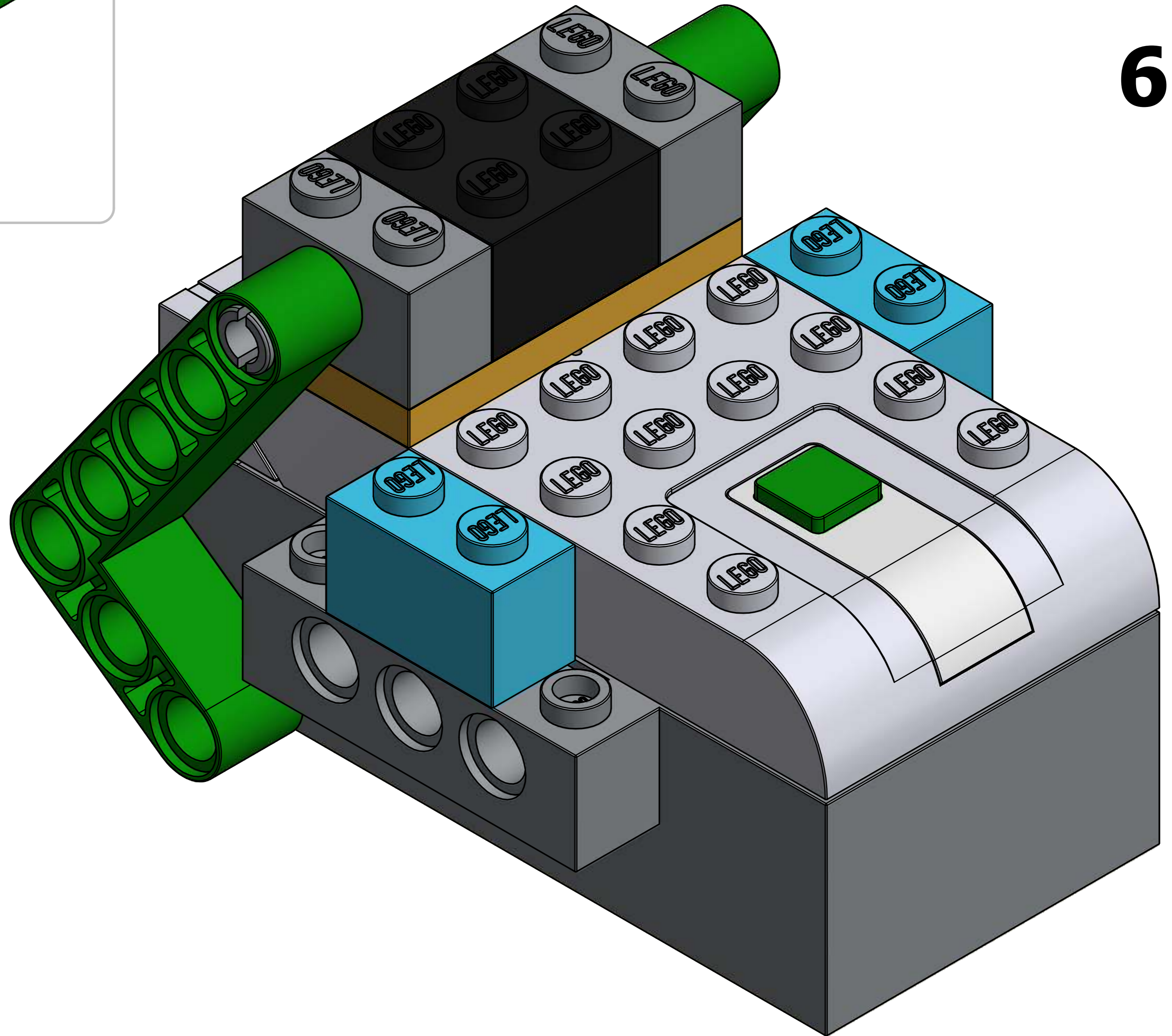


5



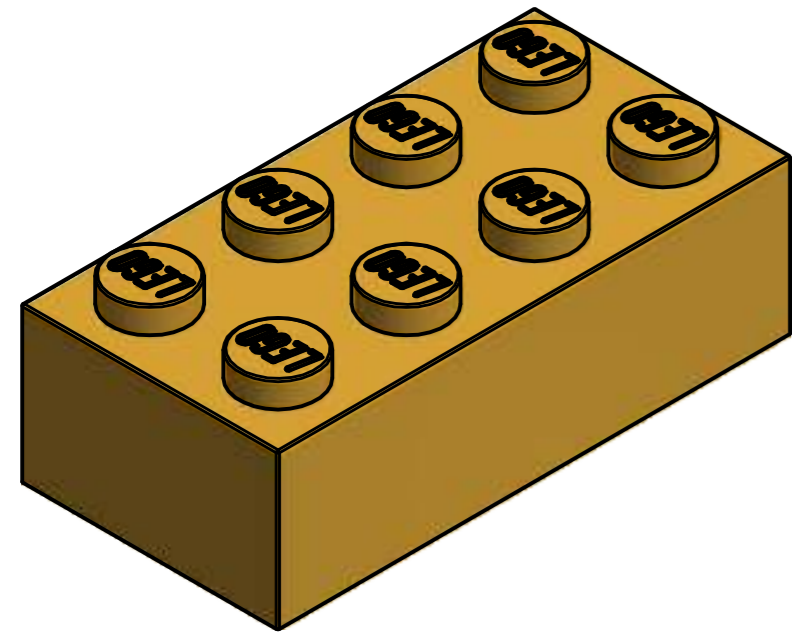


2x

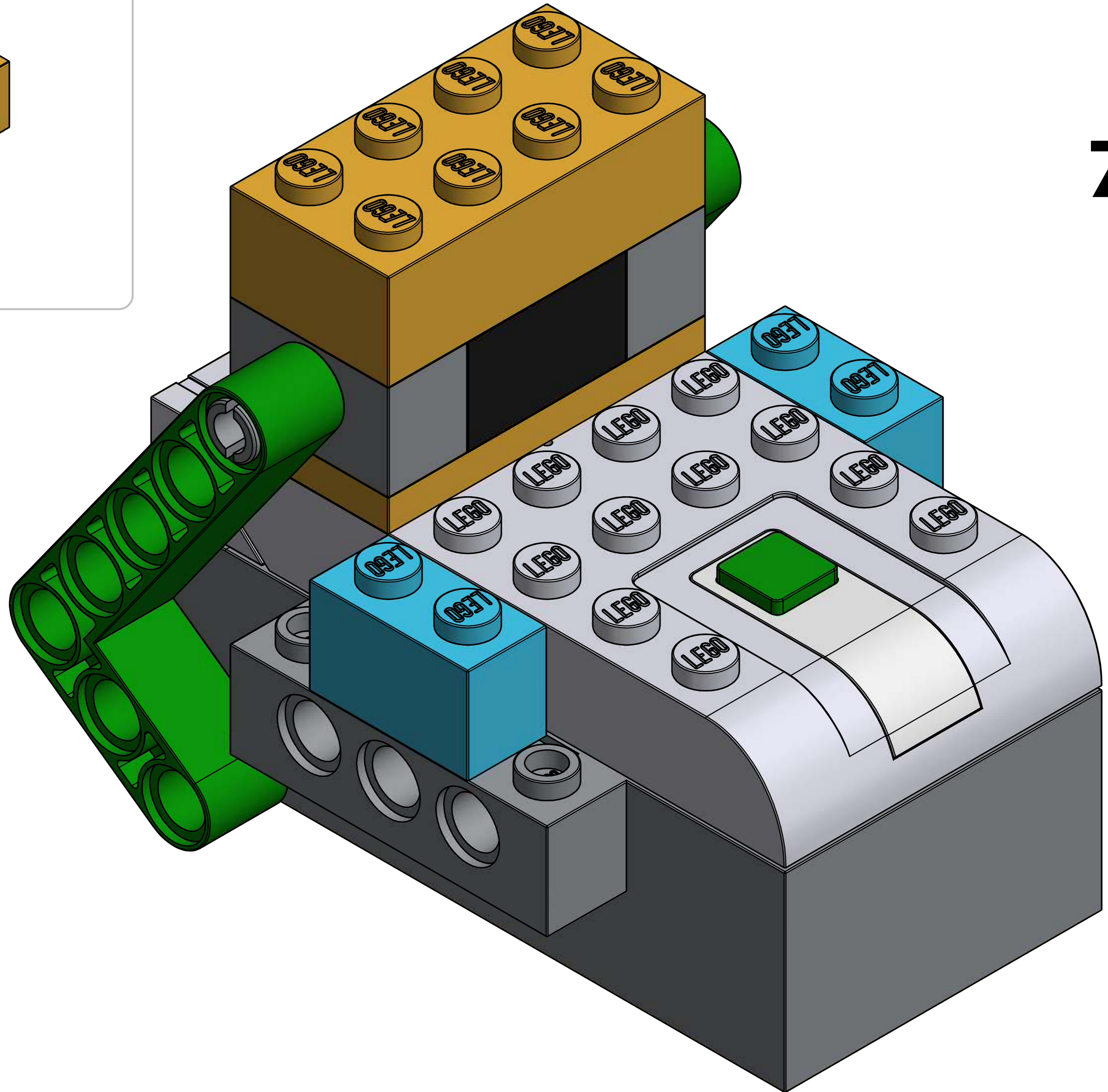


6



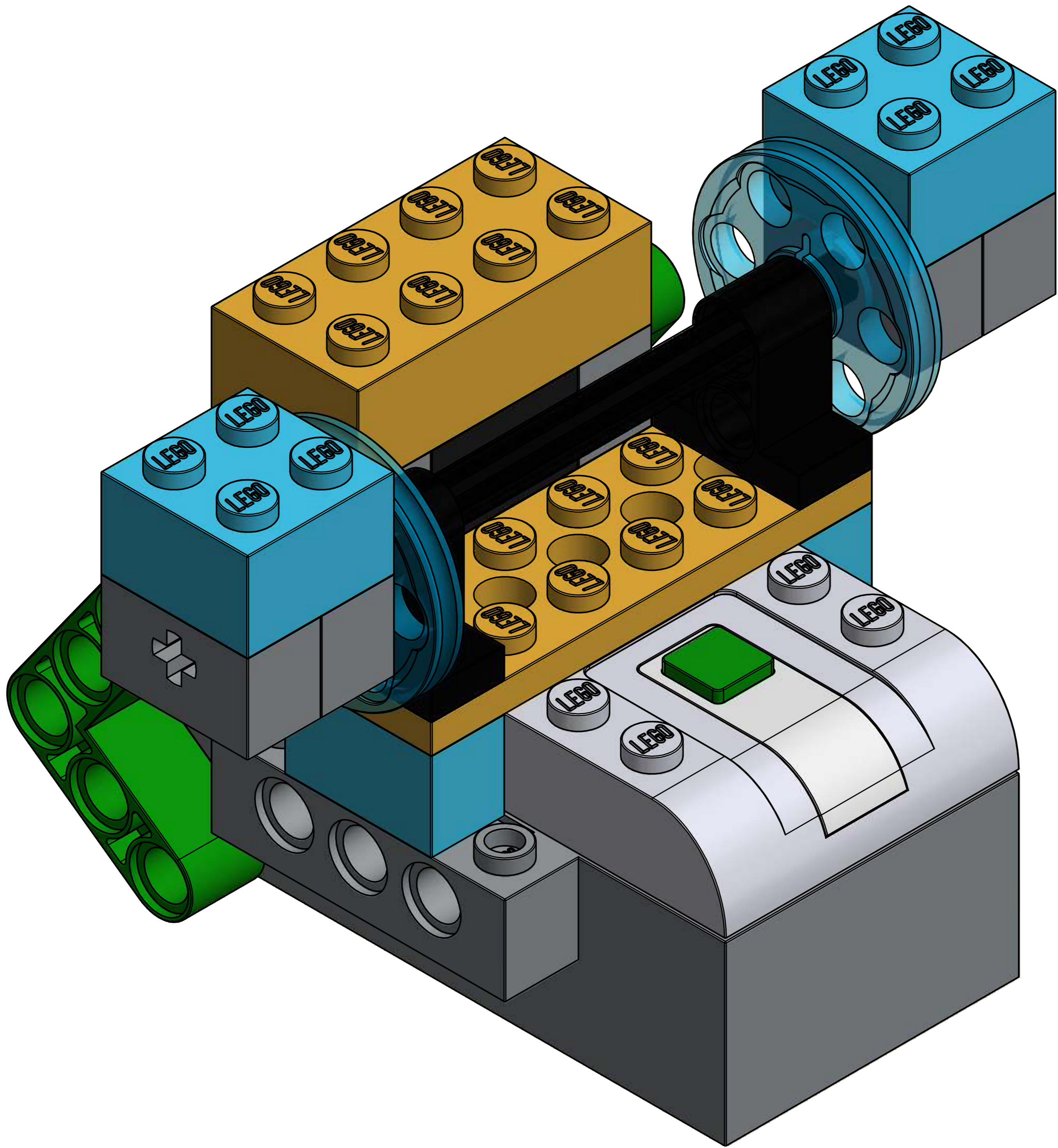


1x

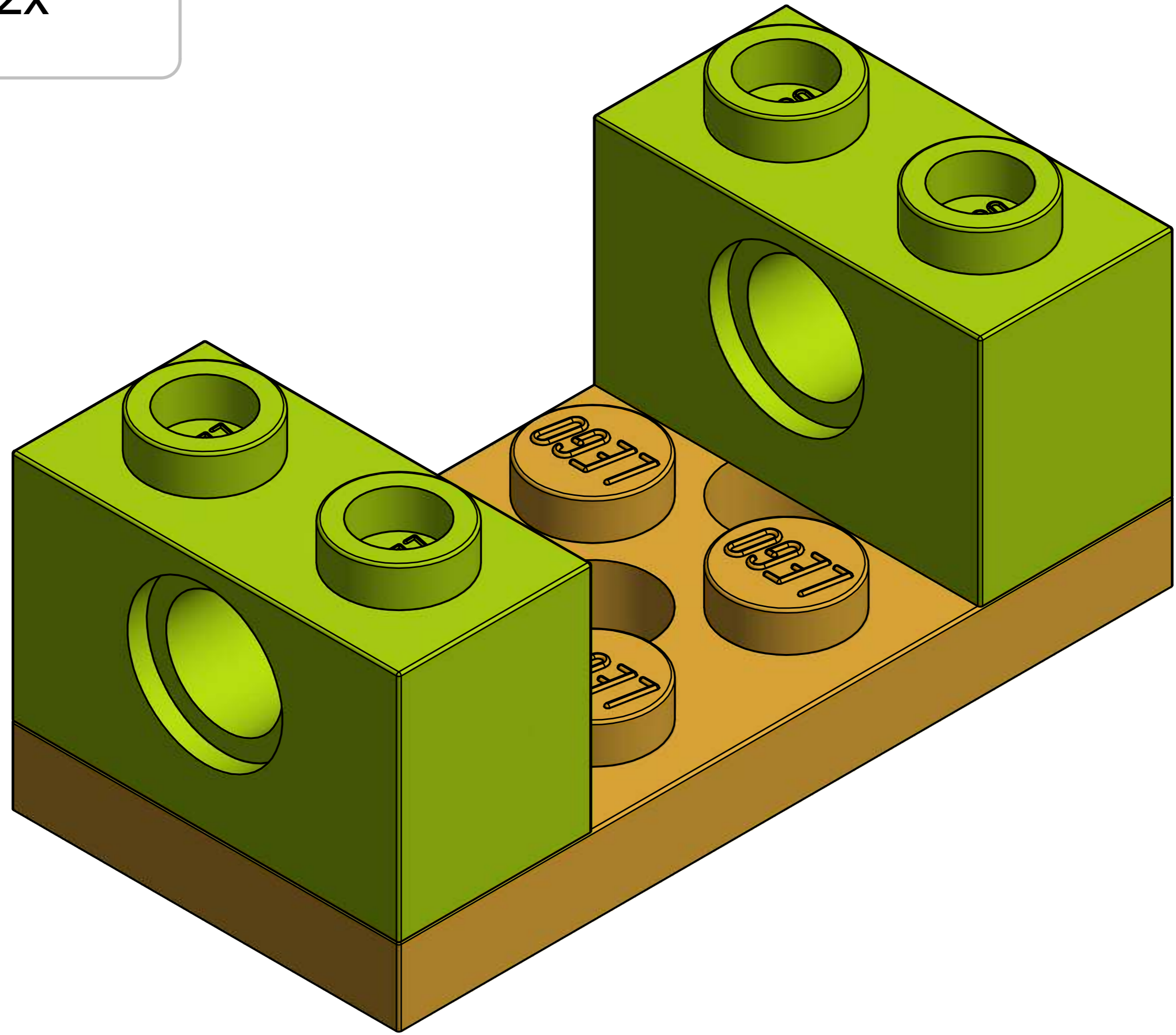
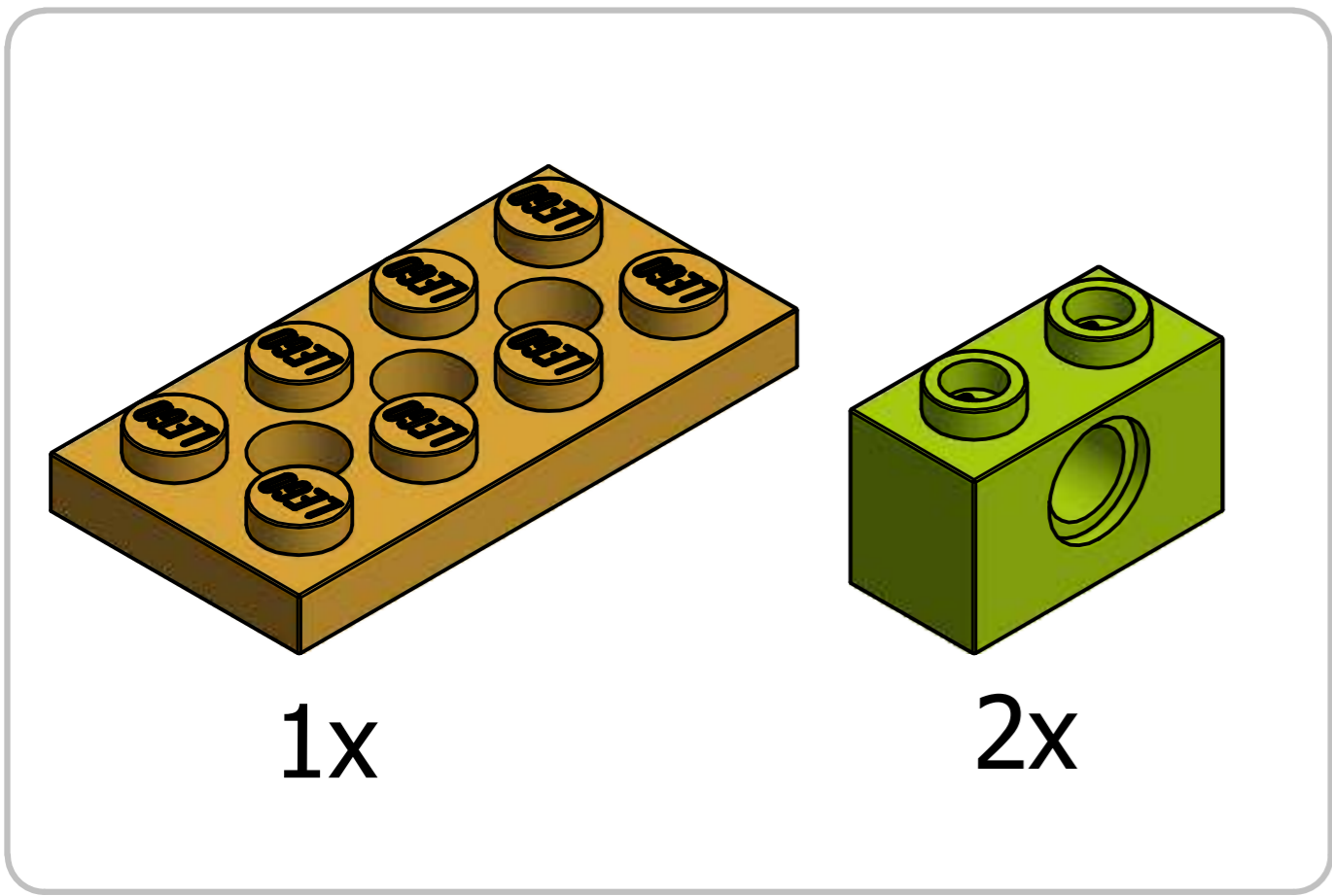


7



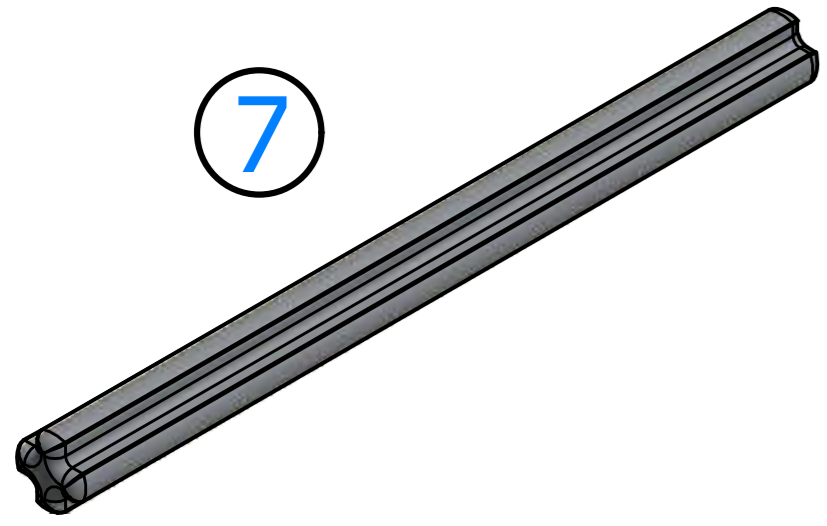








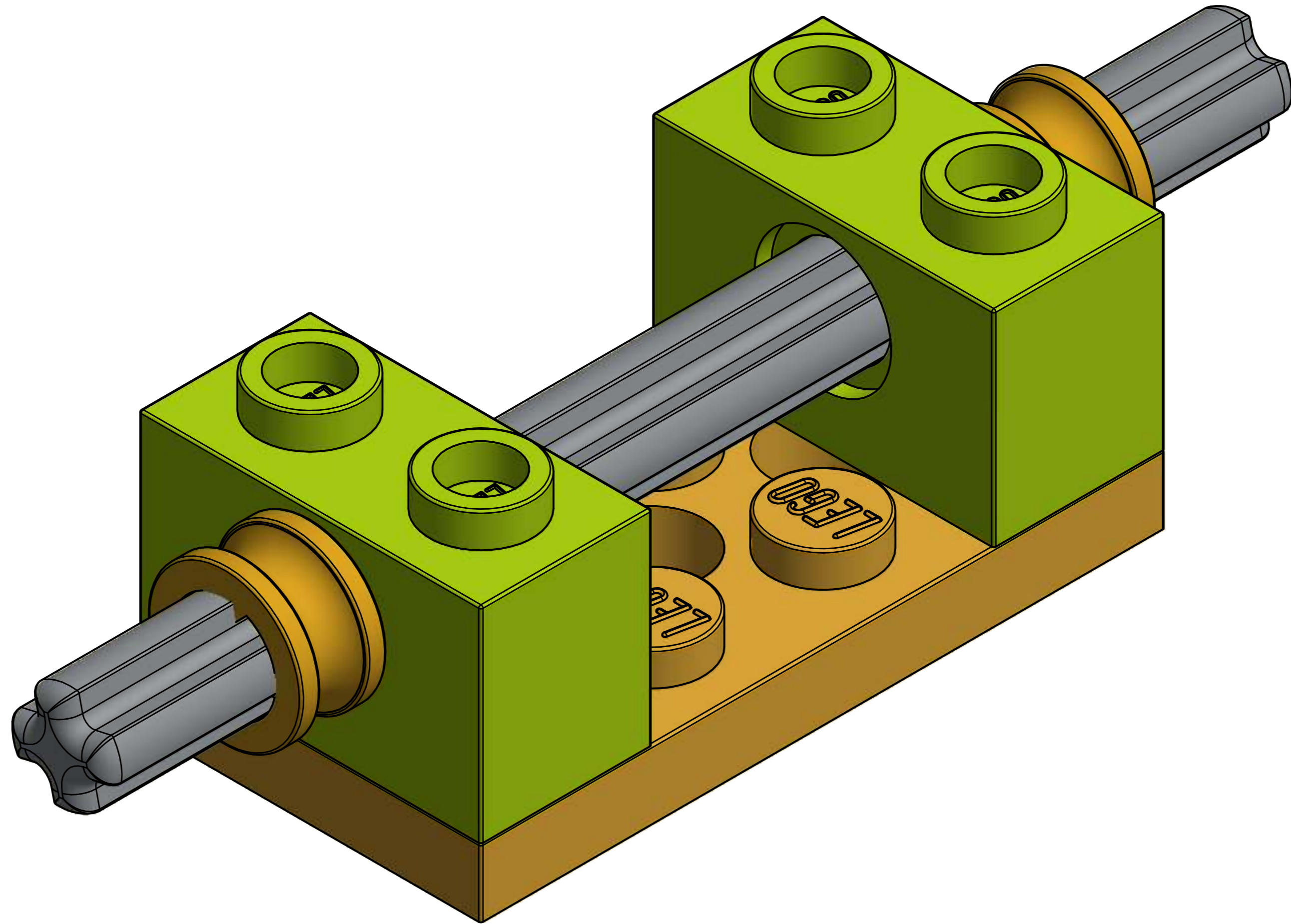
7



1x

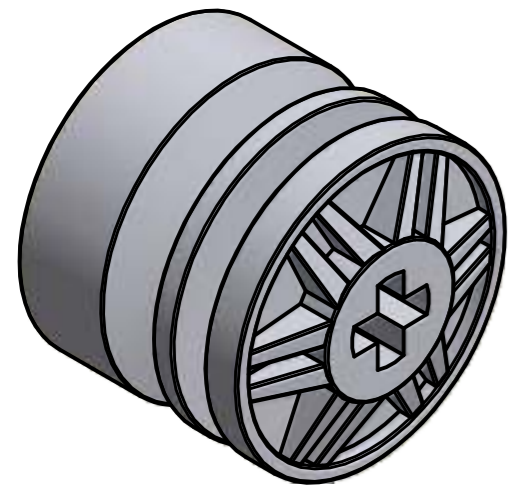


2x



10

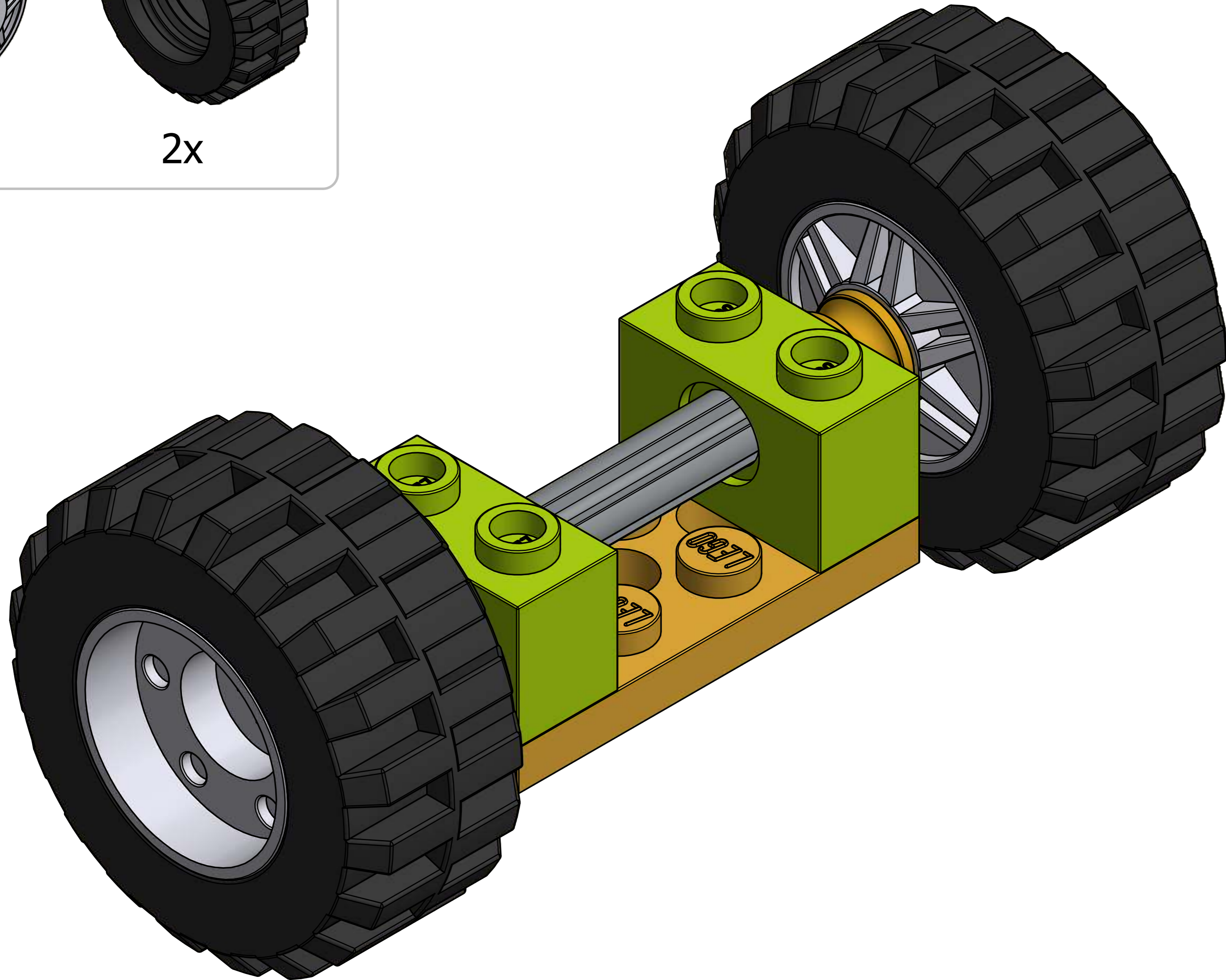




2x

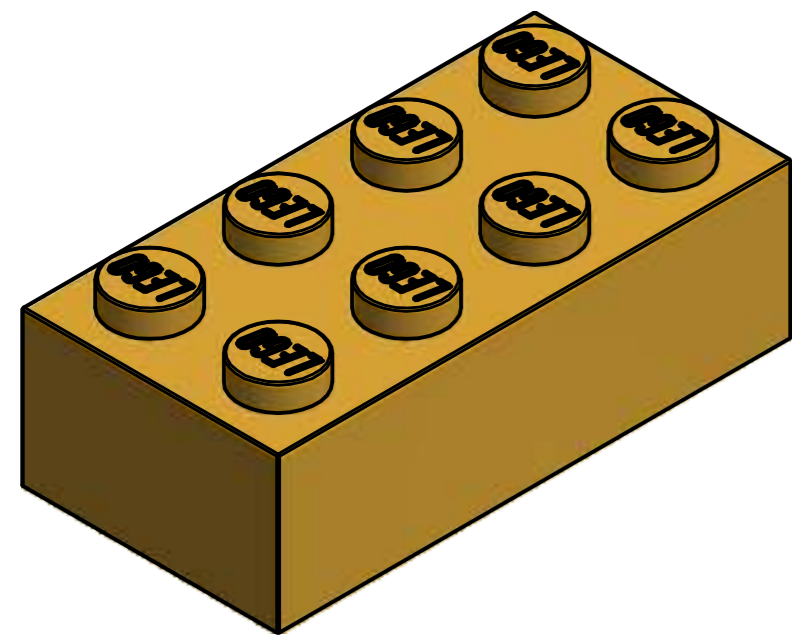


2x

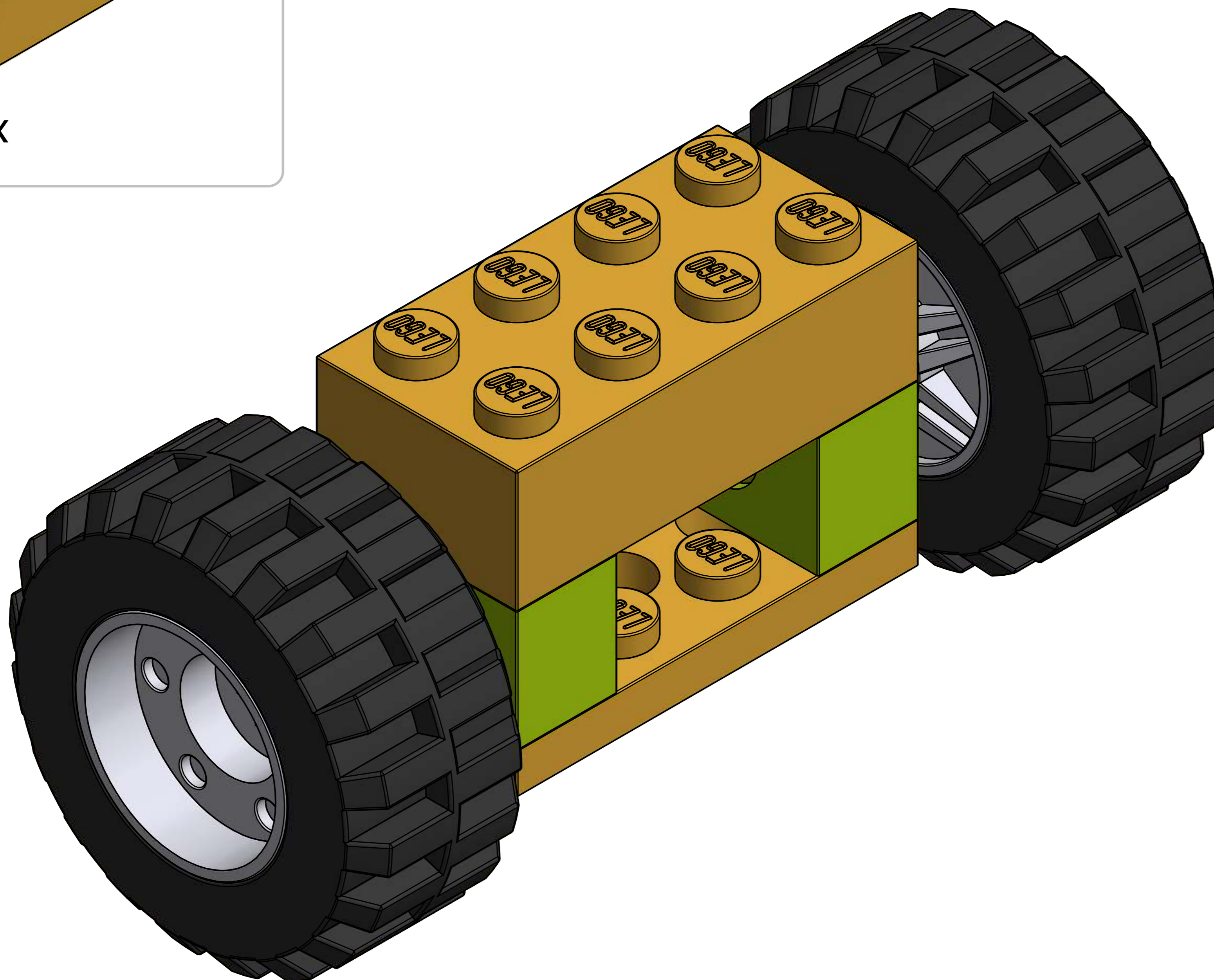


**11**



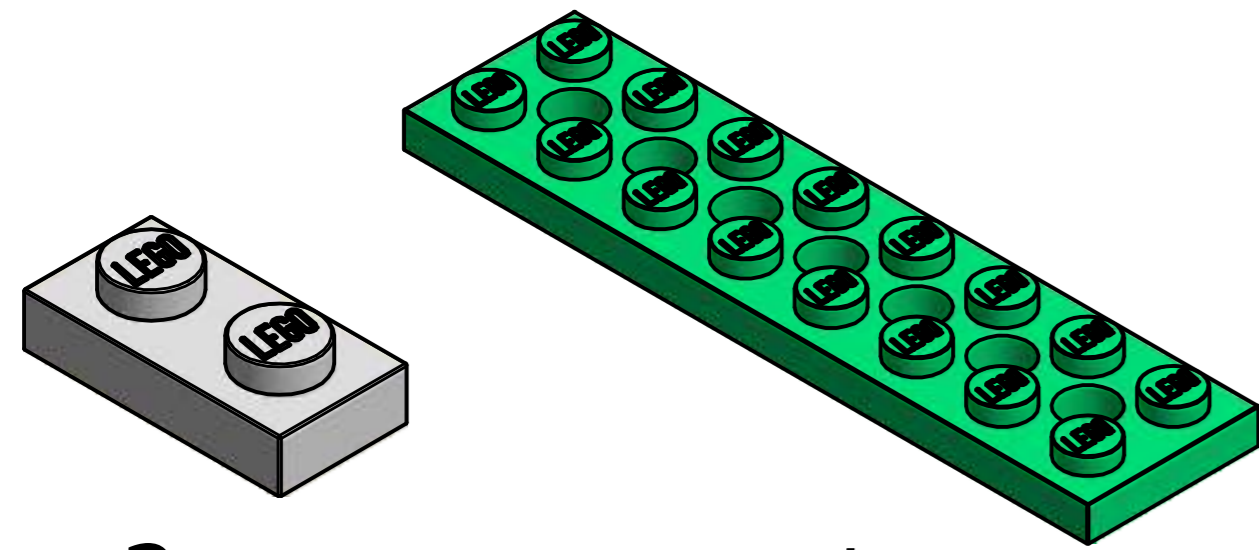


1x



12

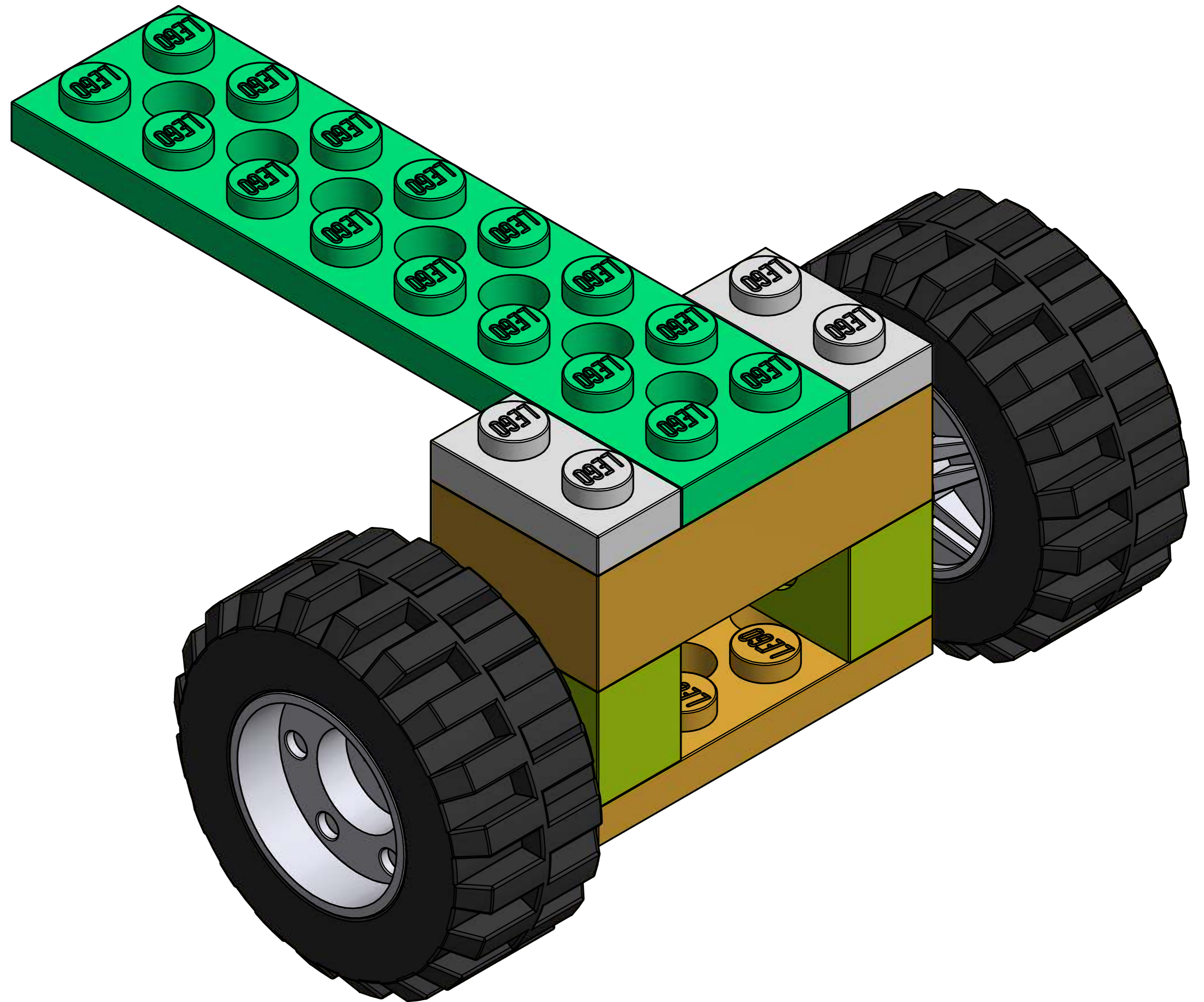




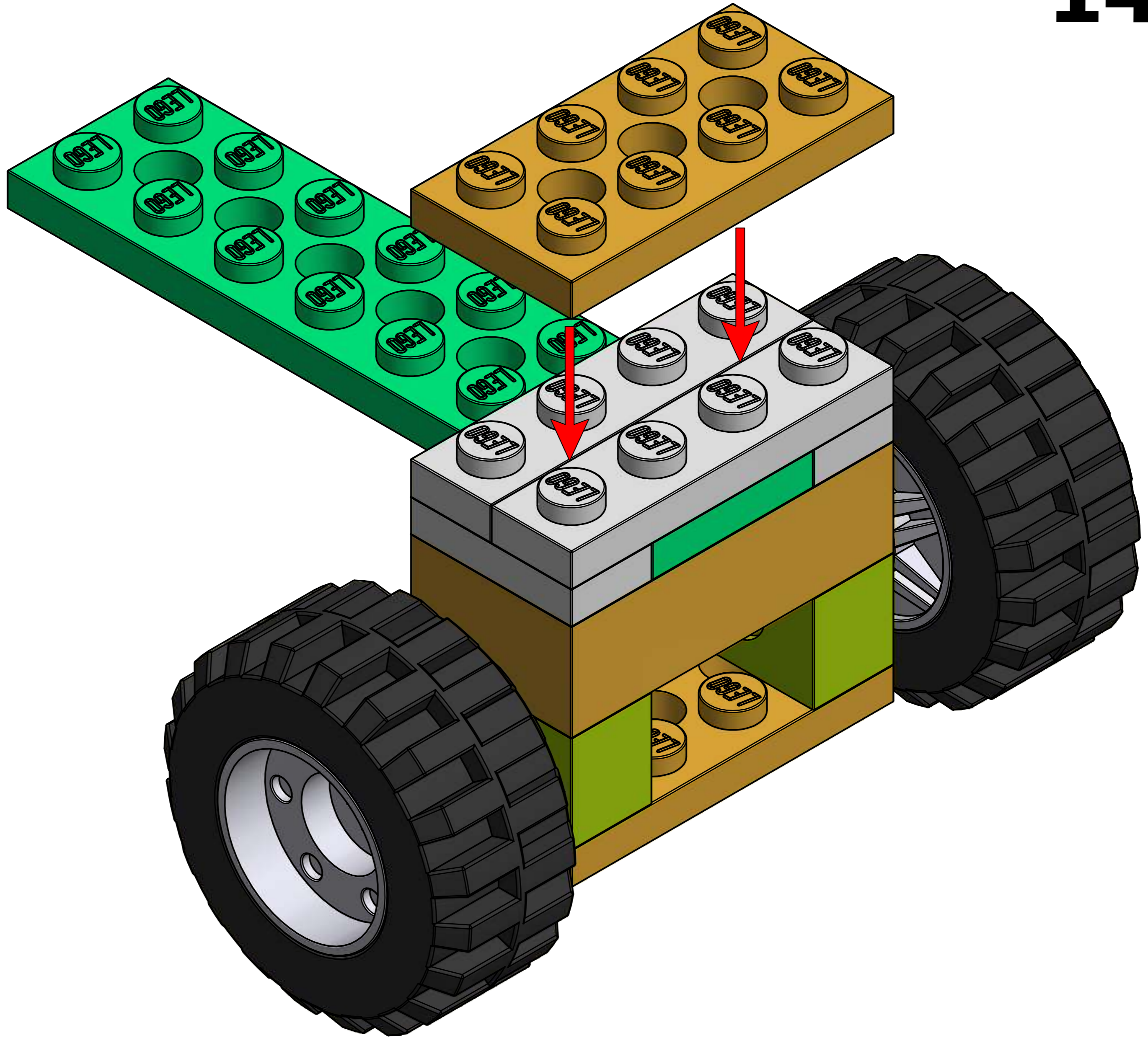
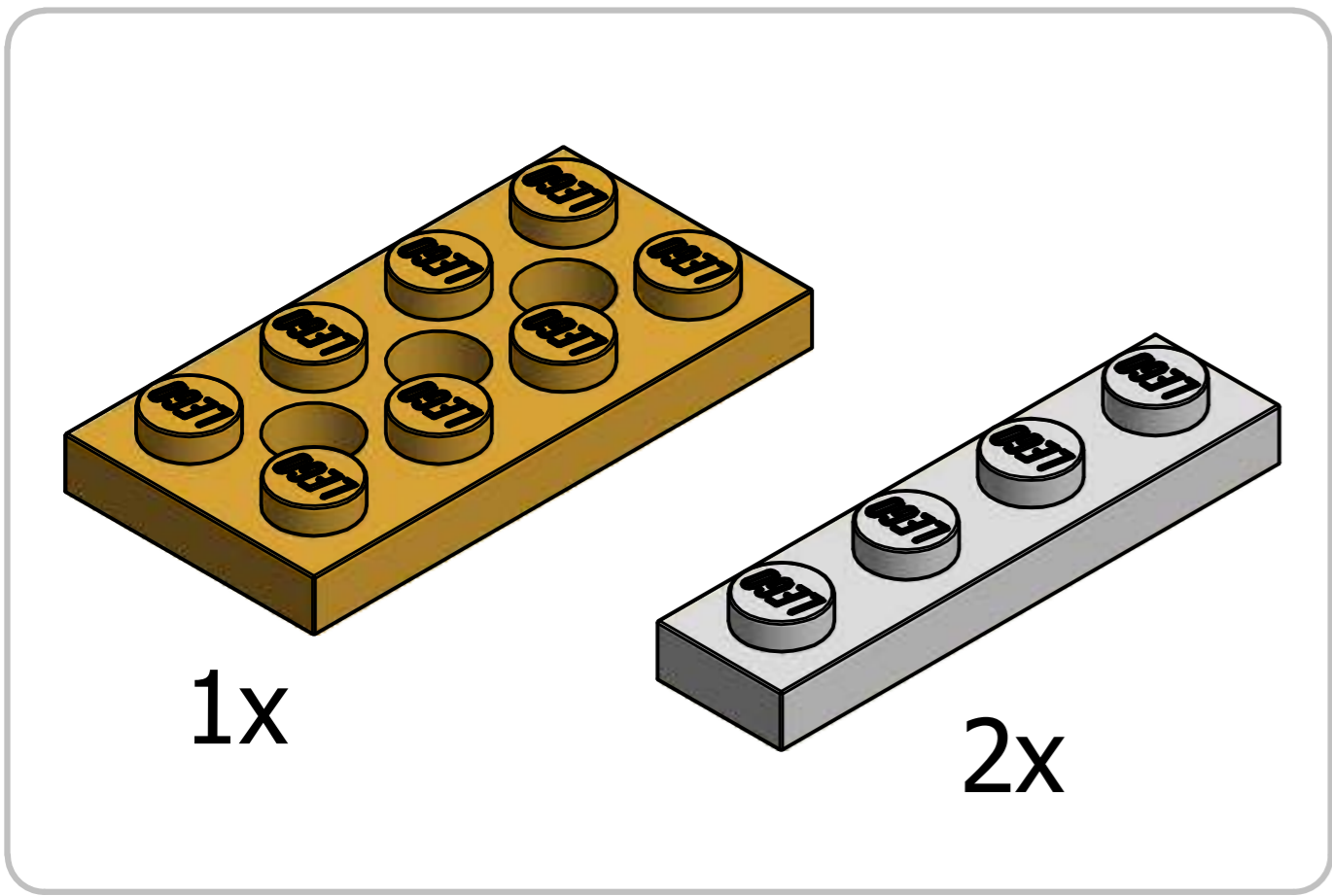
2x

1x

13



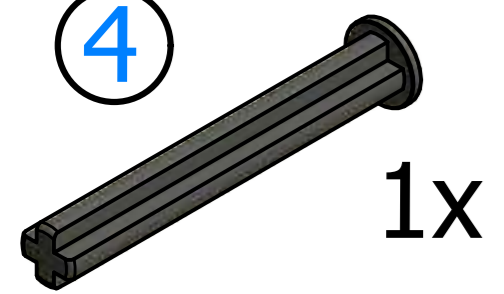




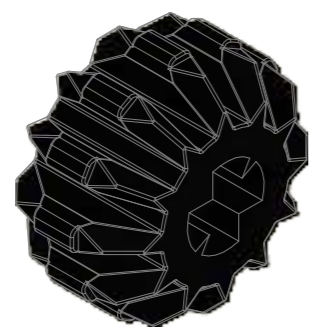
14



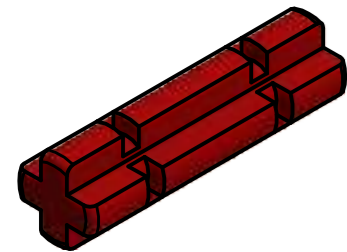
4



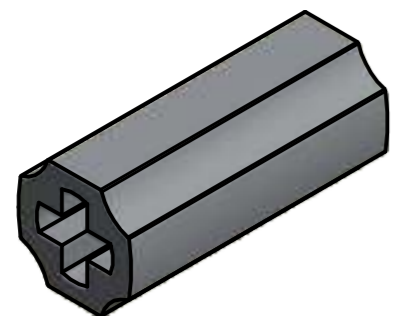
1x



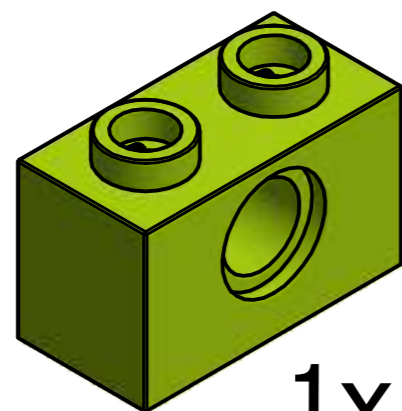
1x



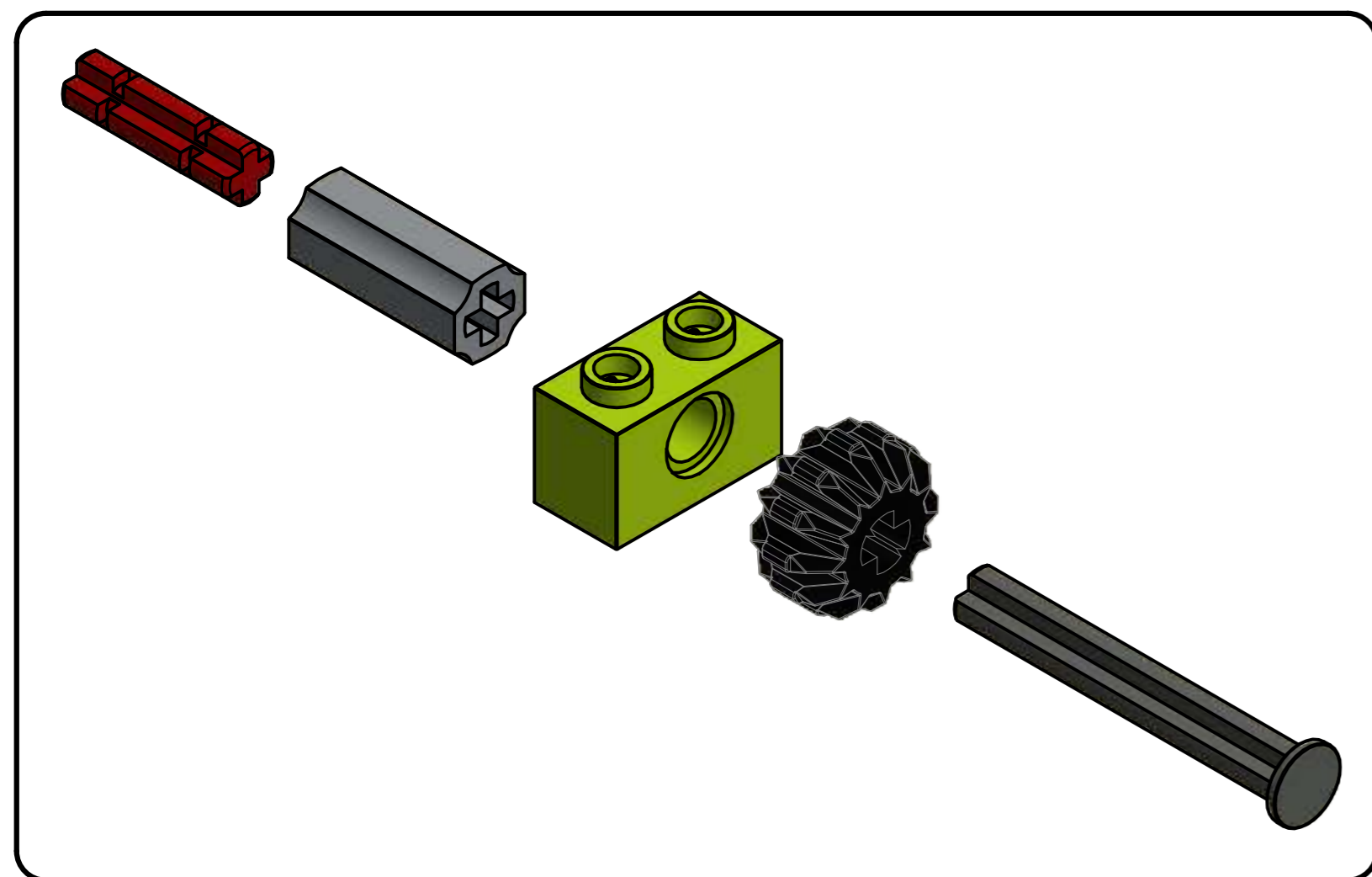
1x



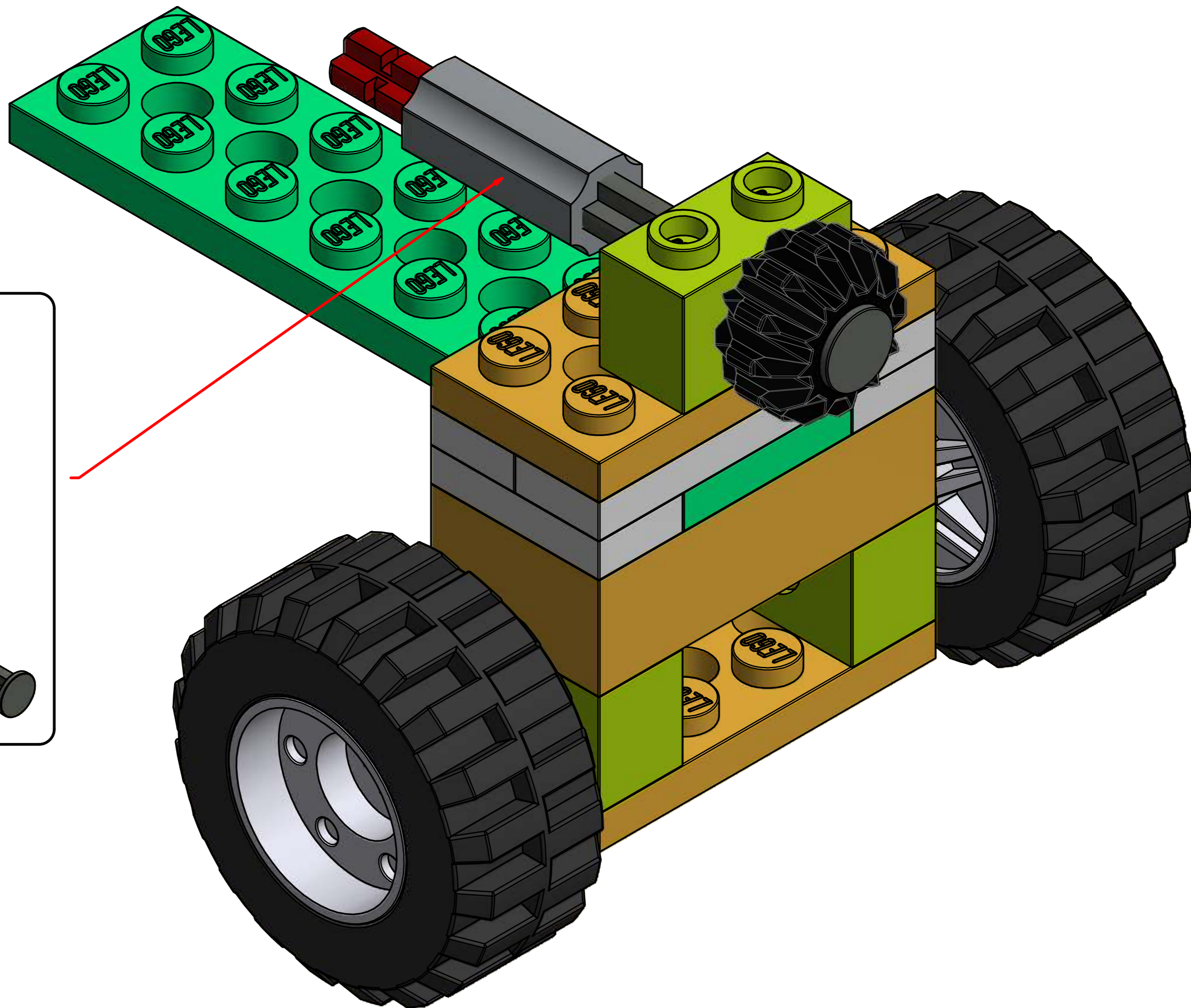
1x



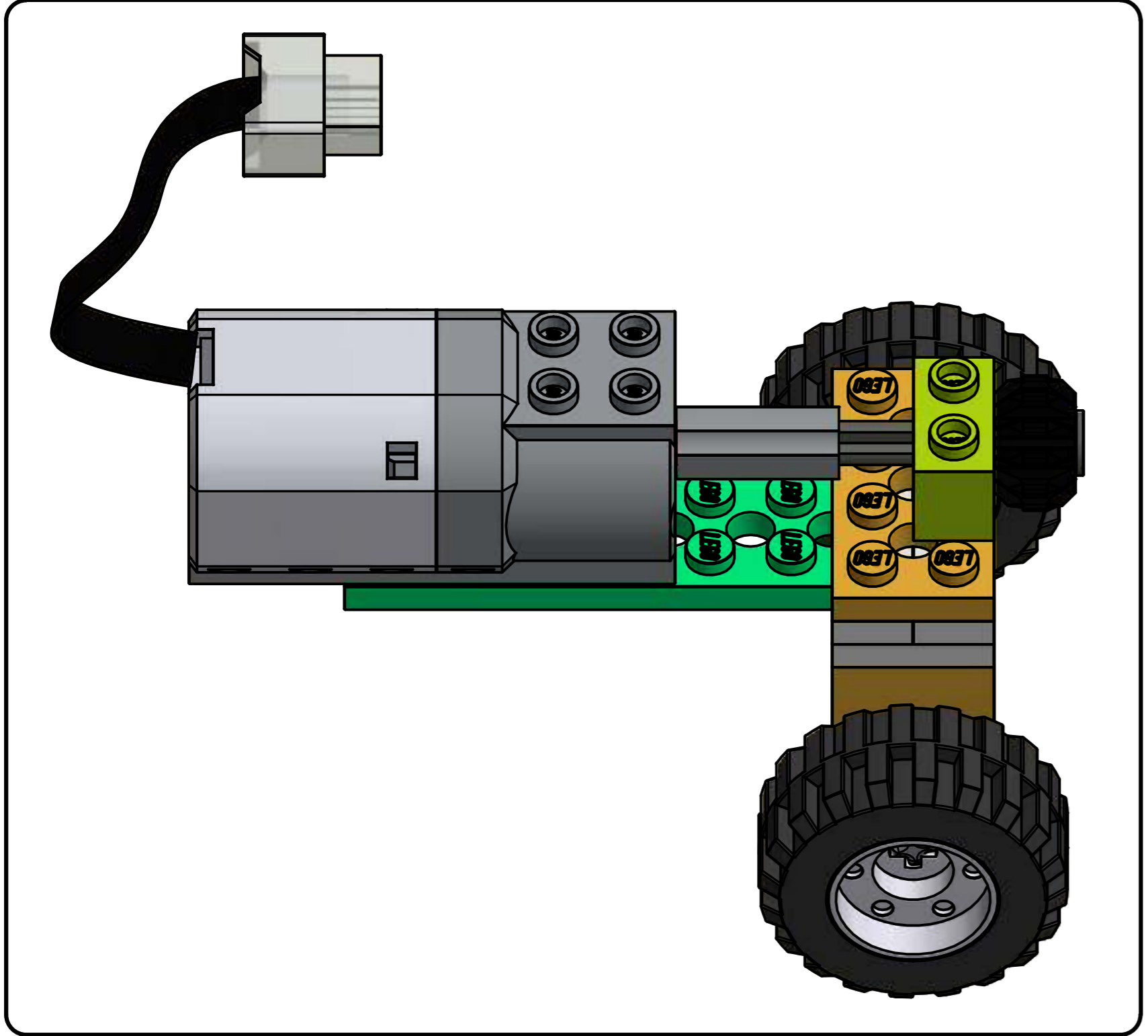
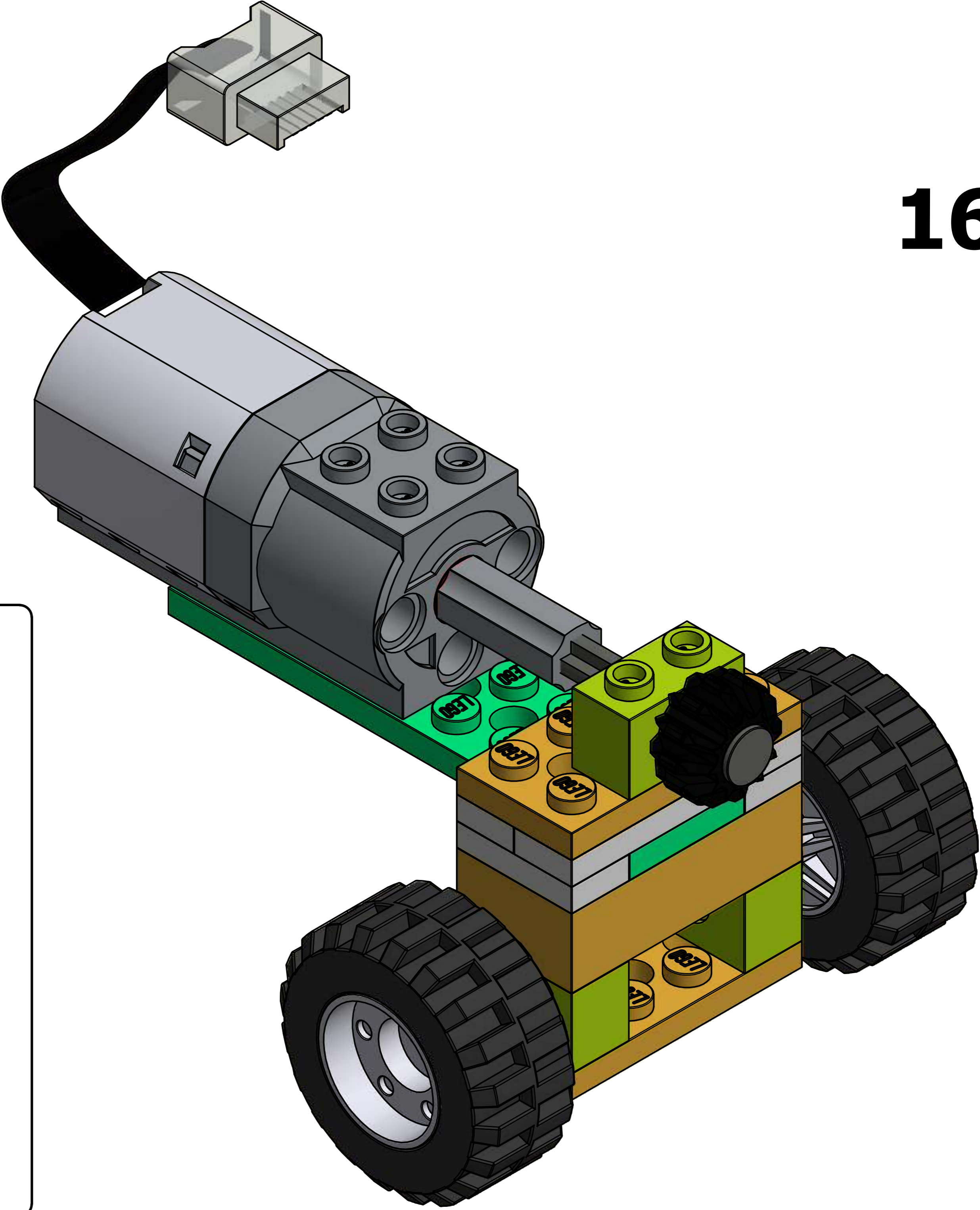
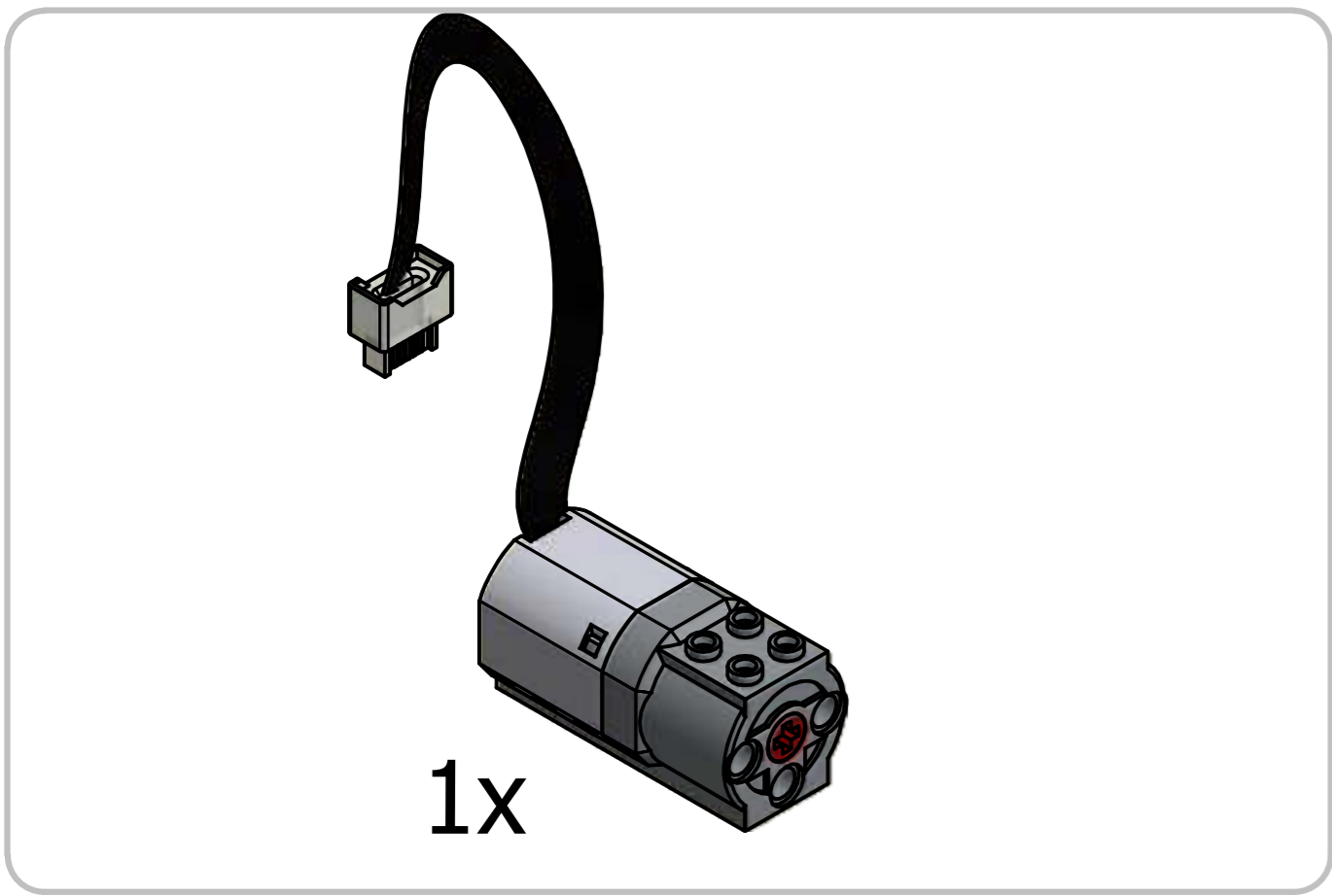
1x



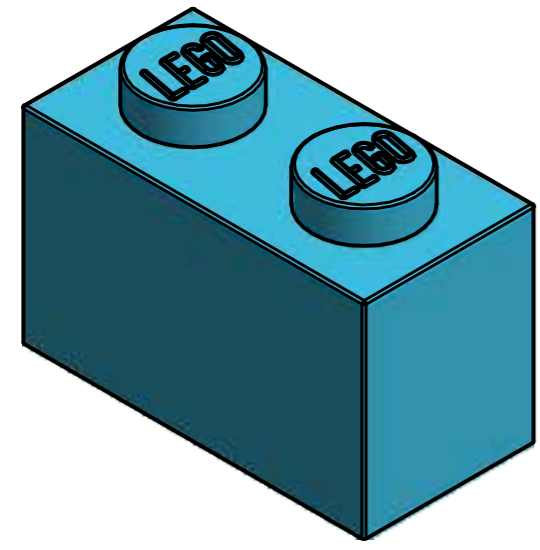
15



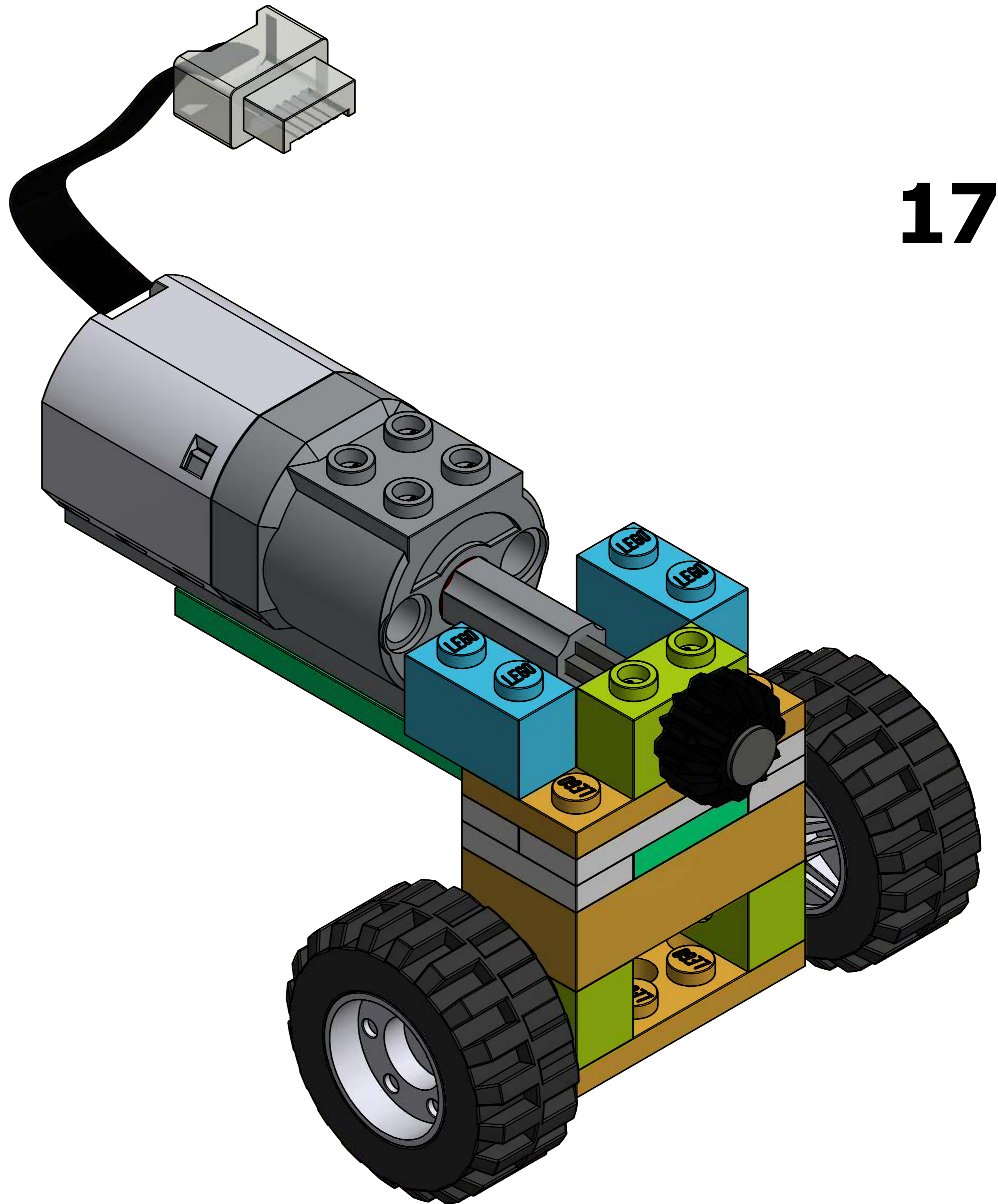








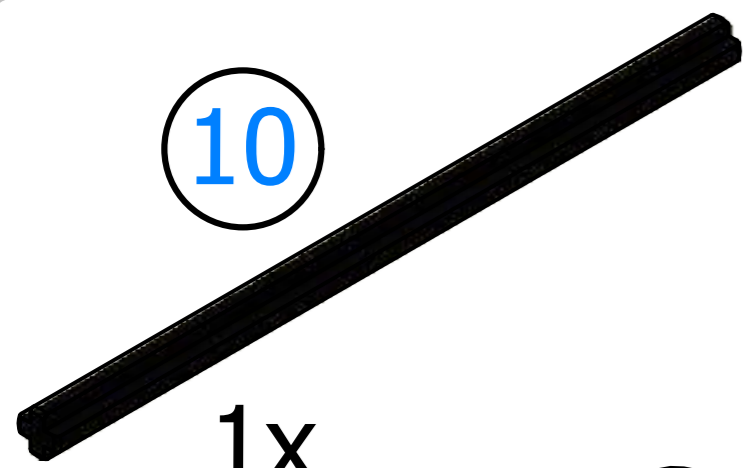
2x



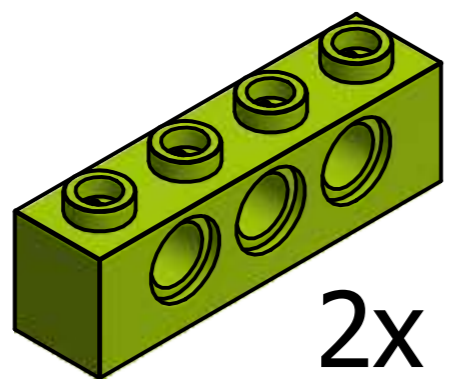
17



10



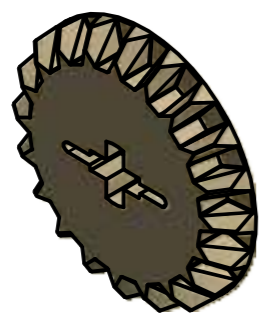
1x



2x



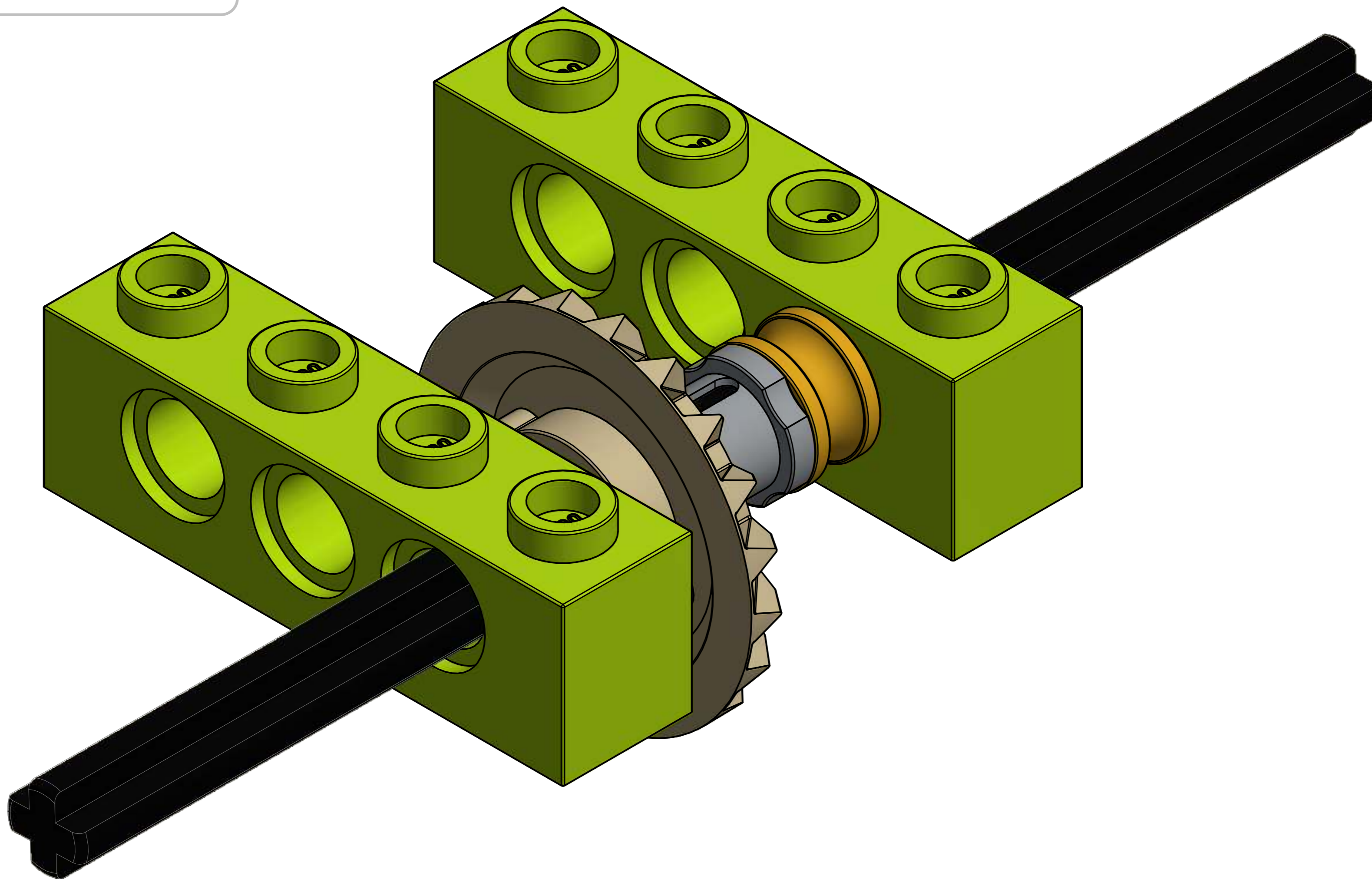
1x



1x

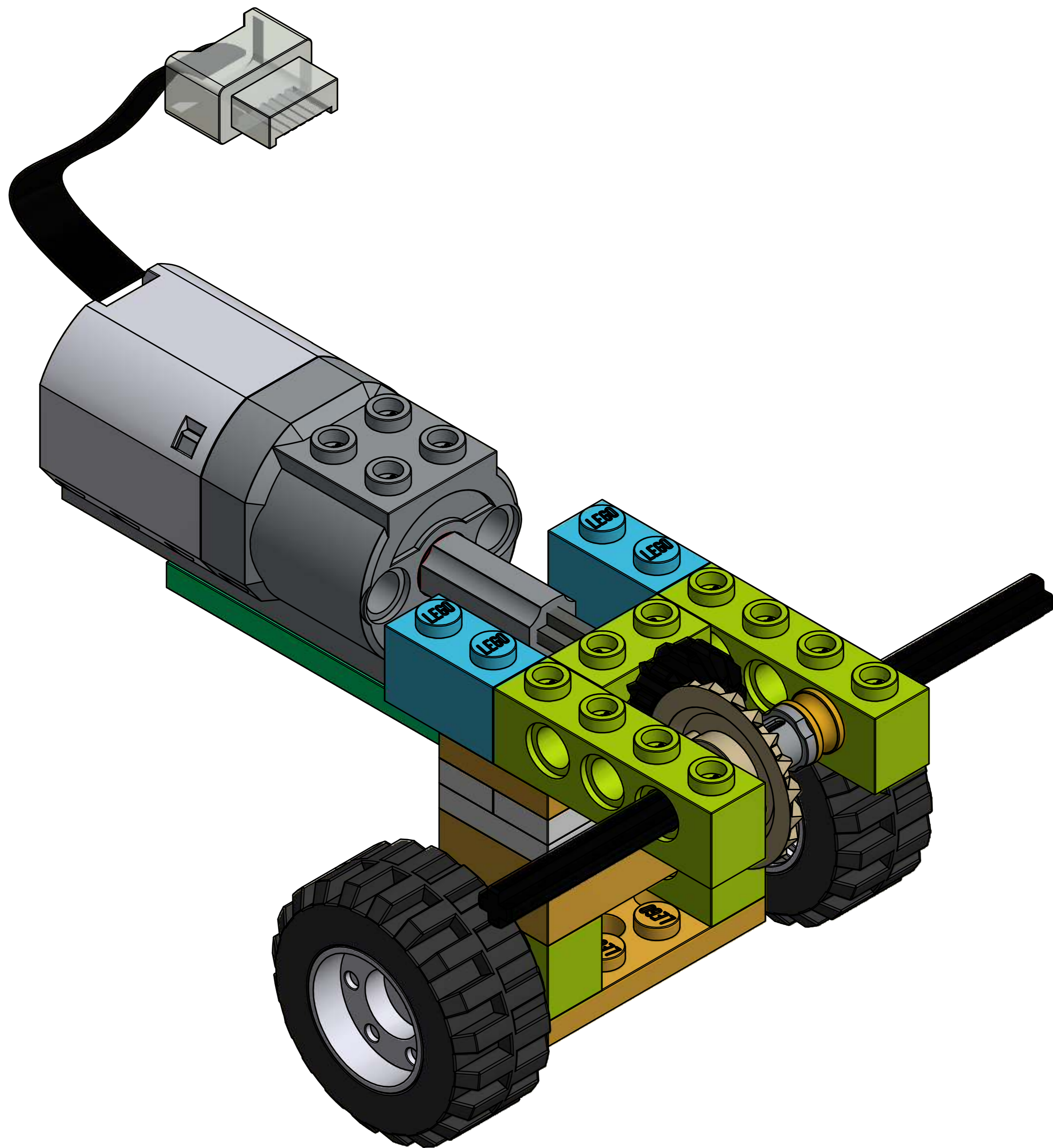


1x



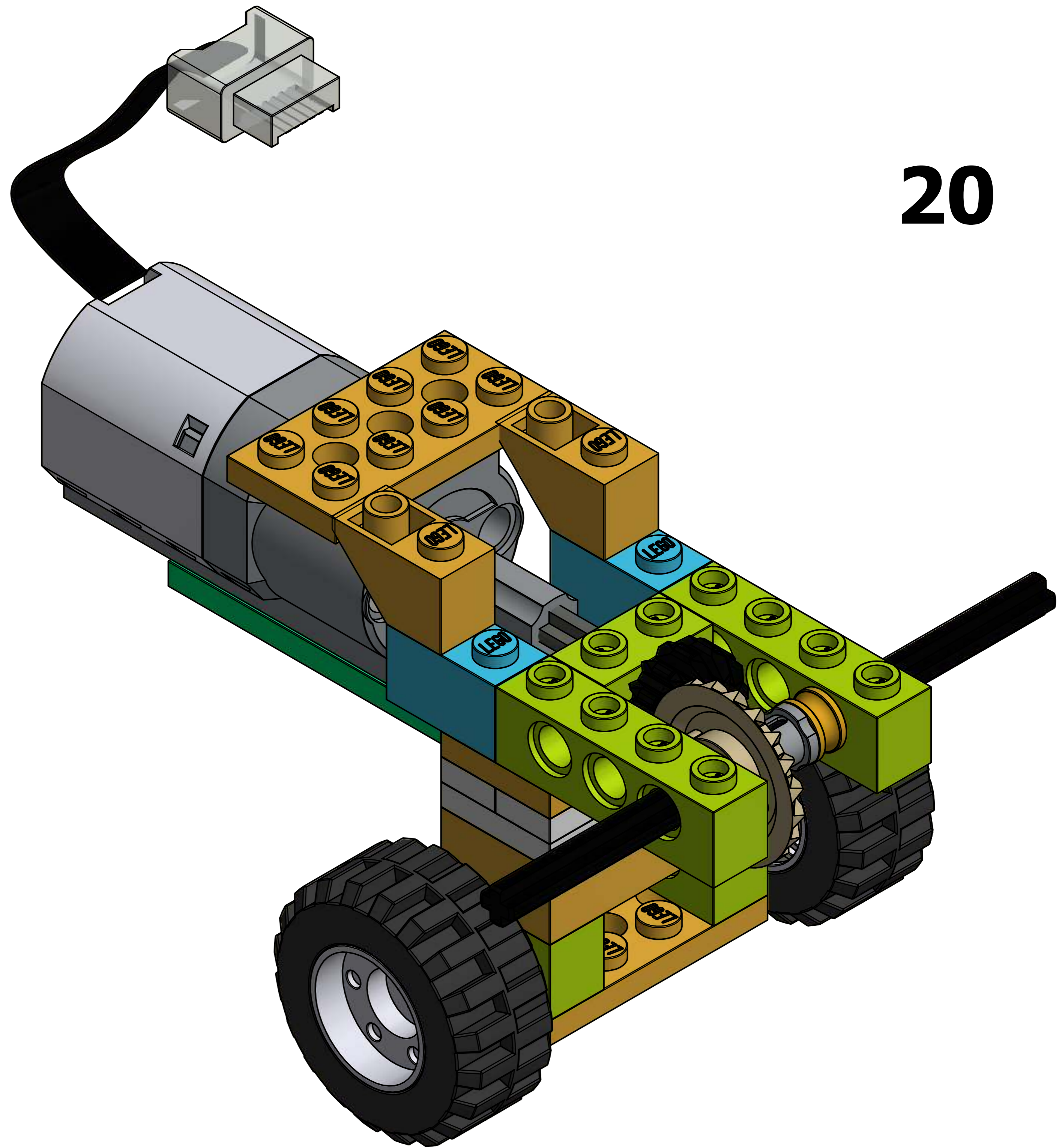
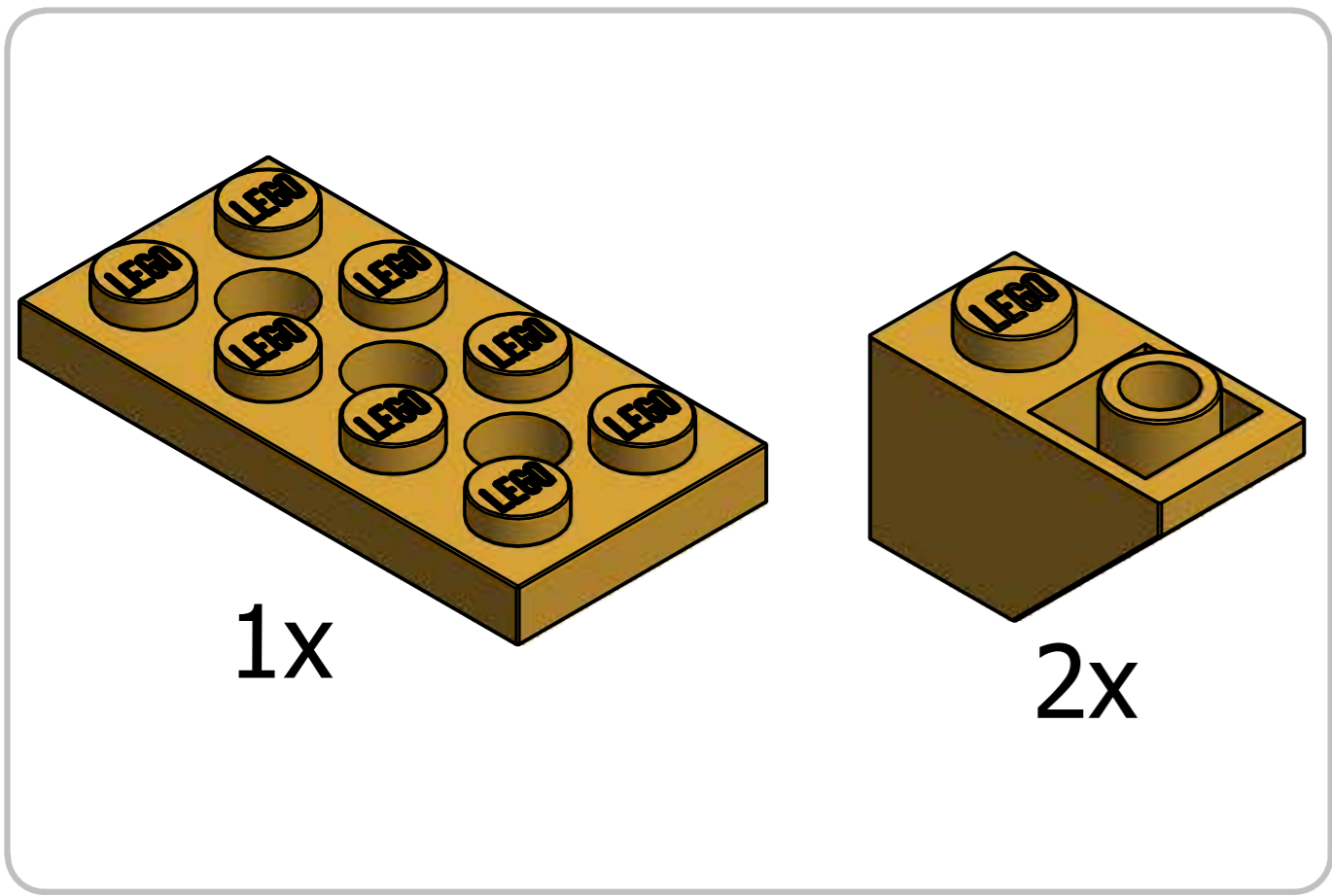
18



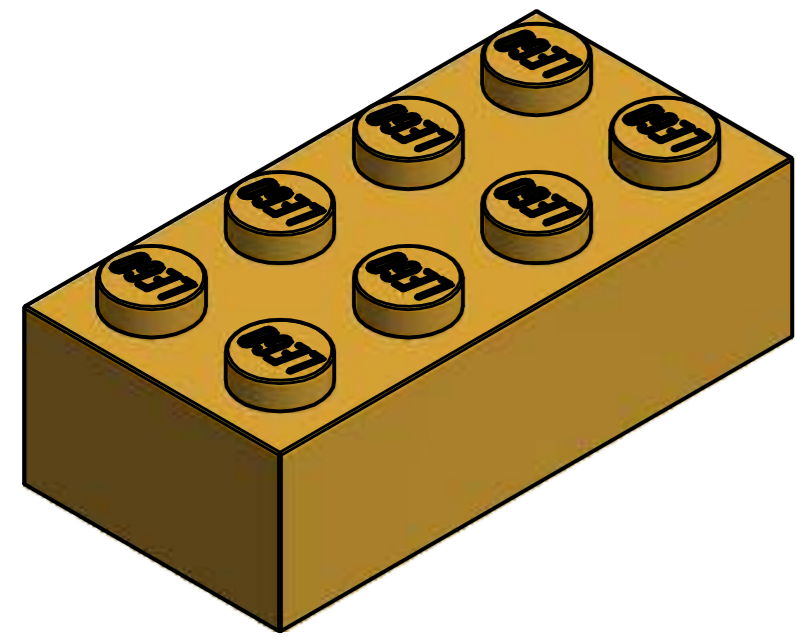


19





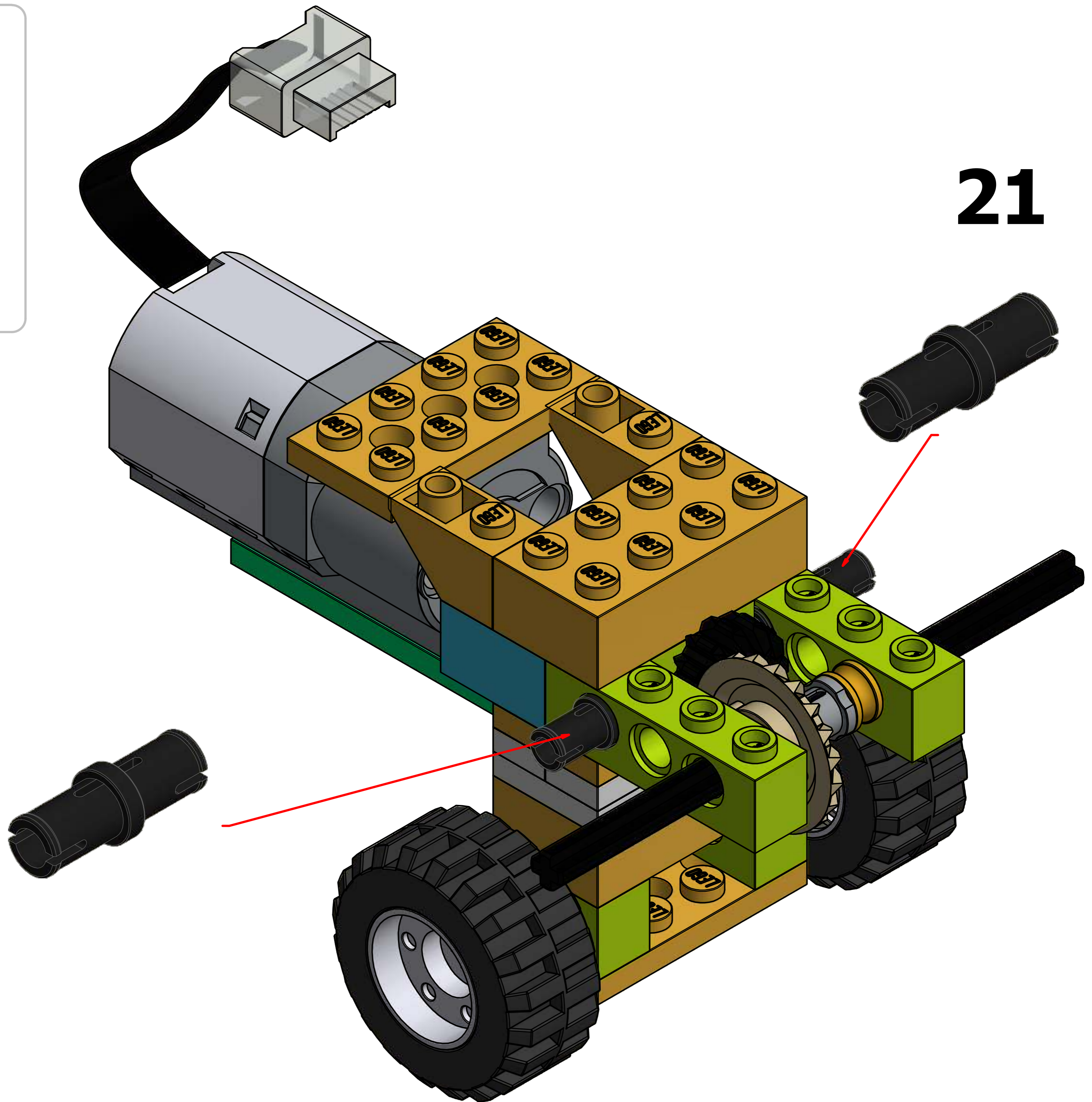




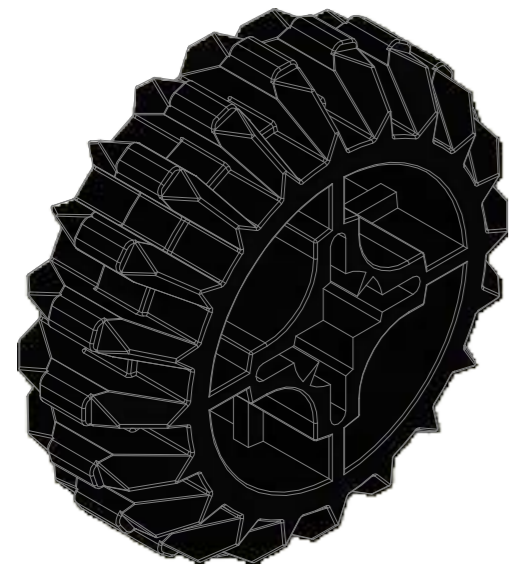
1x



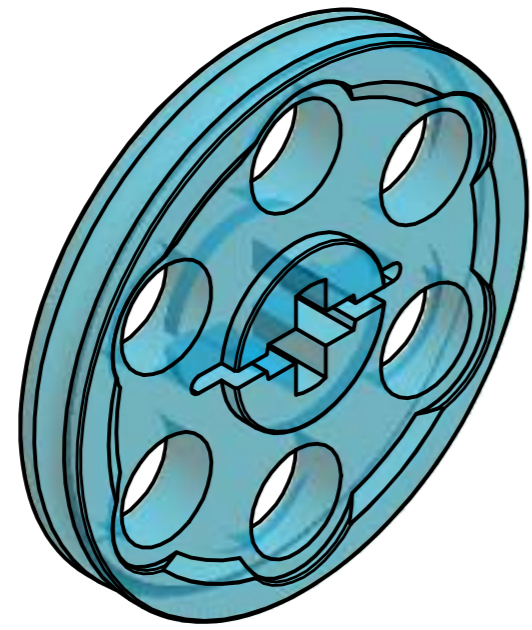
2x



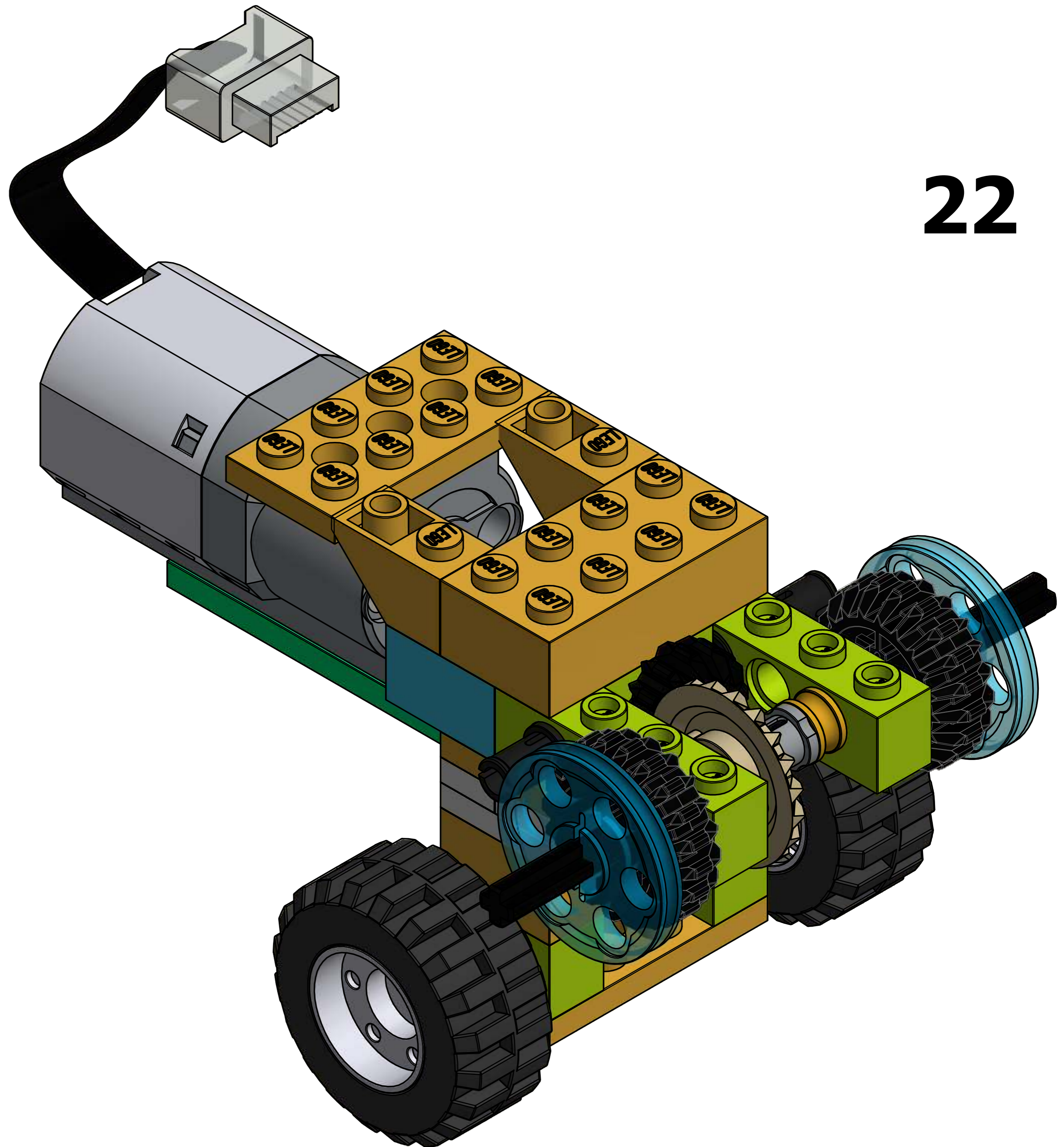




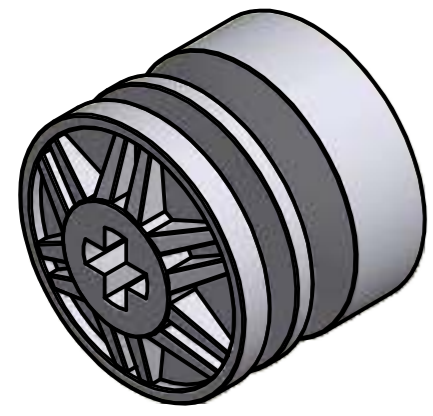
2x



2x



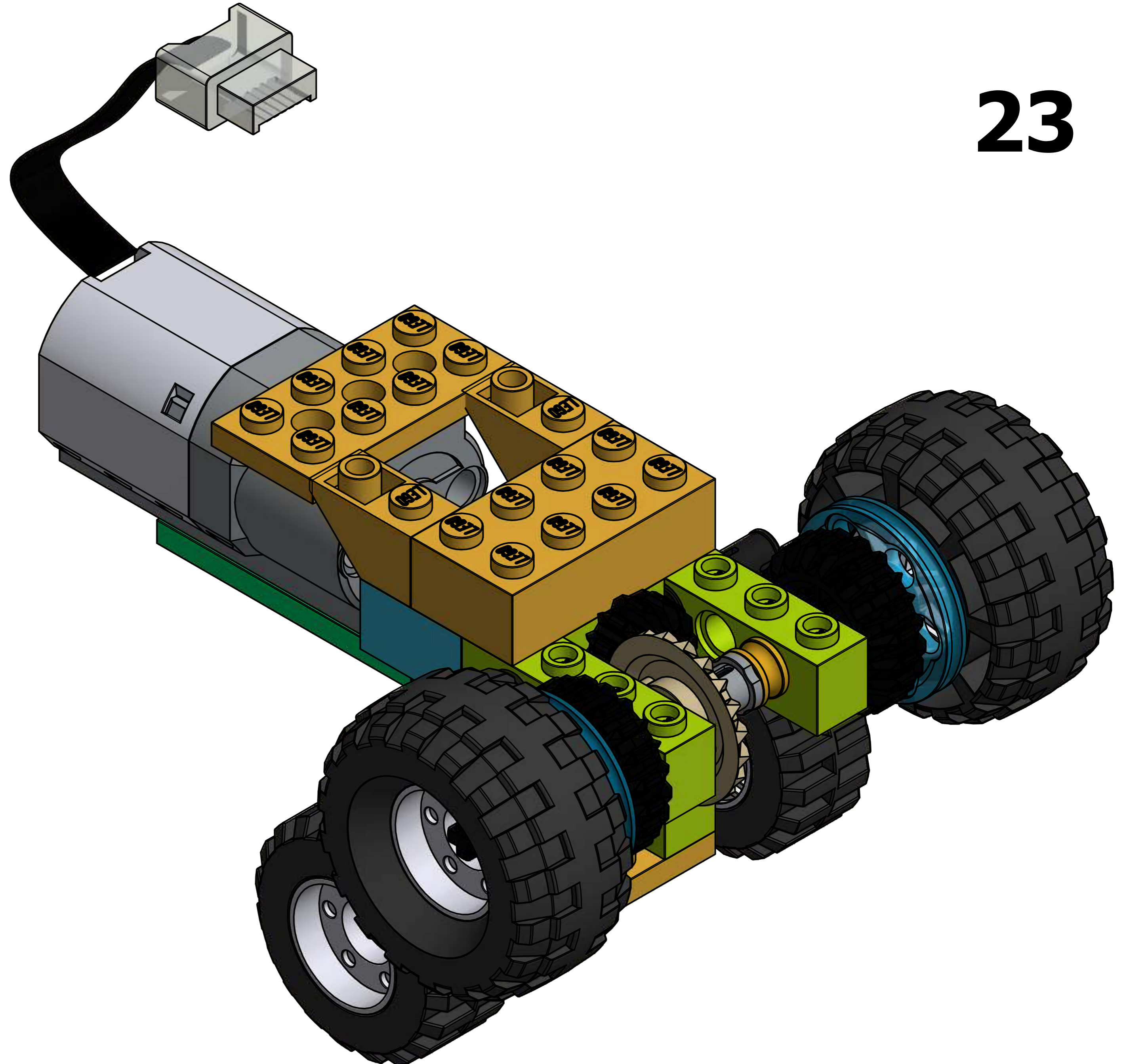




2x

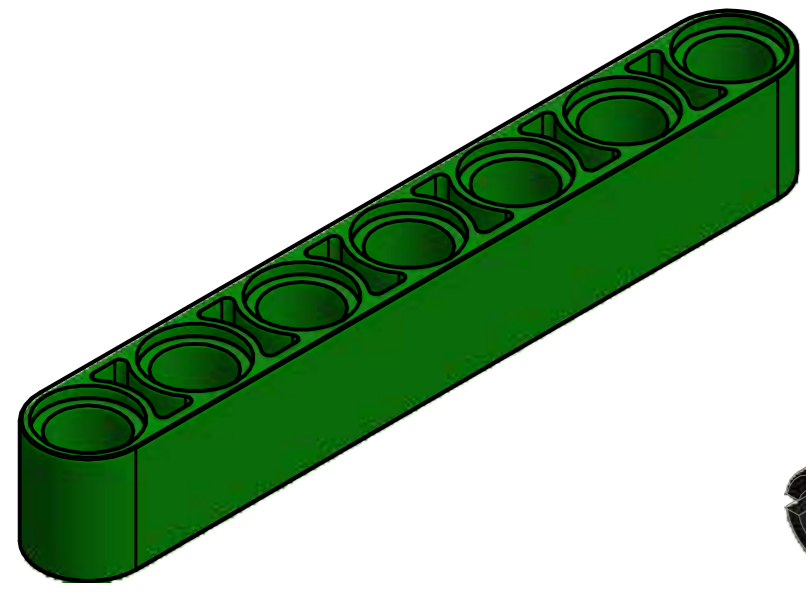


2x



23

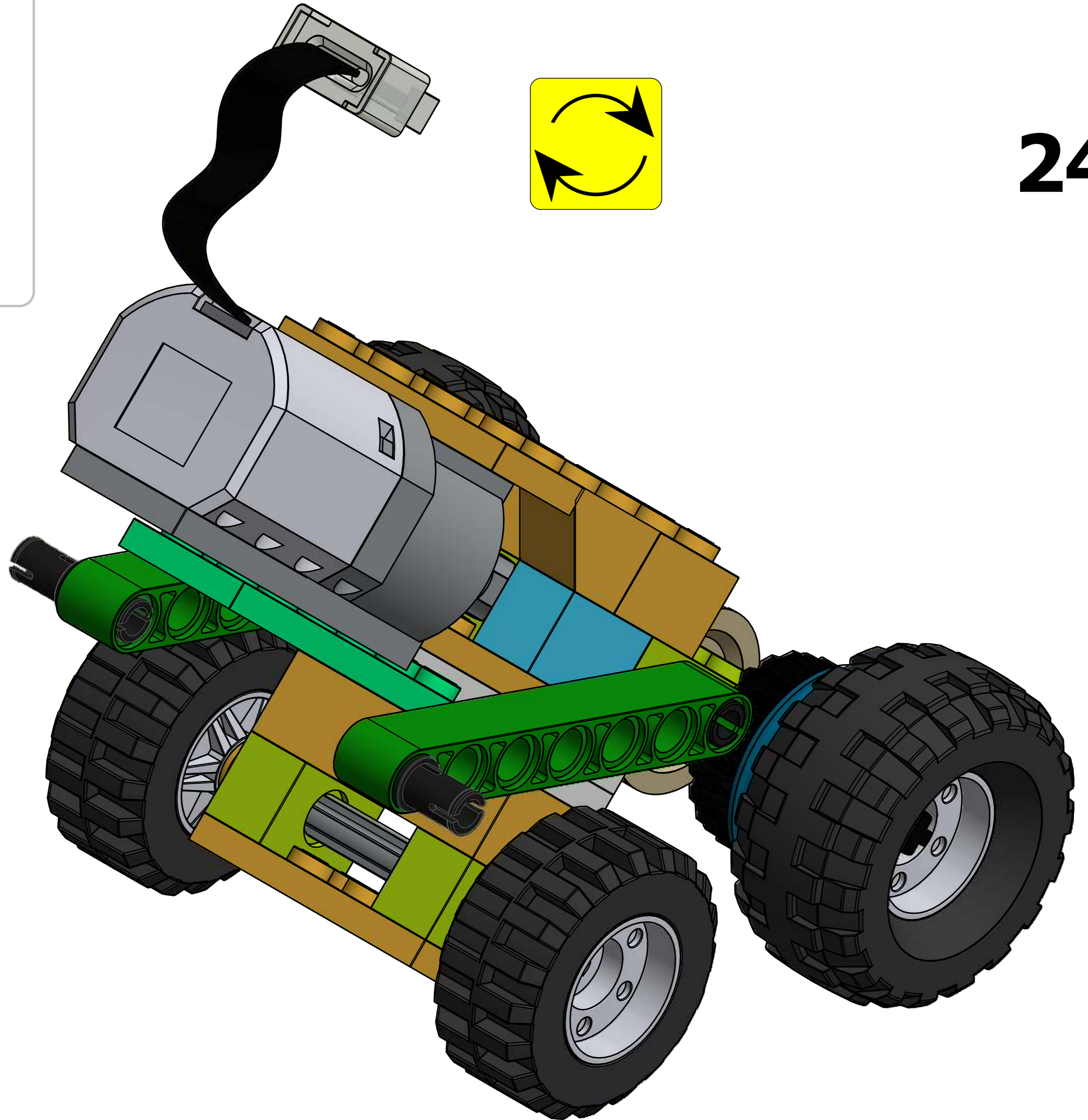




2x

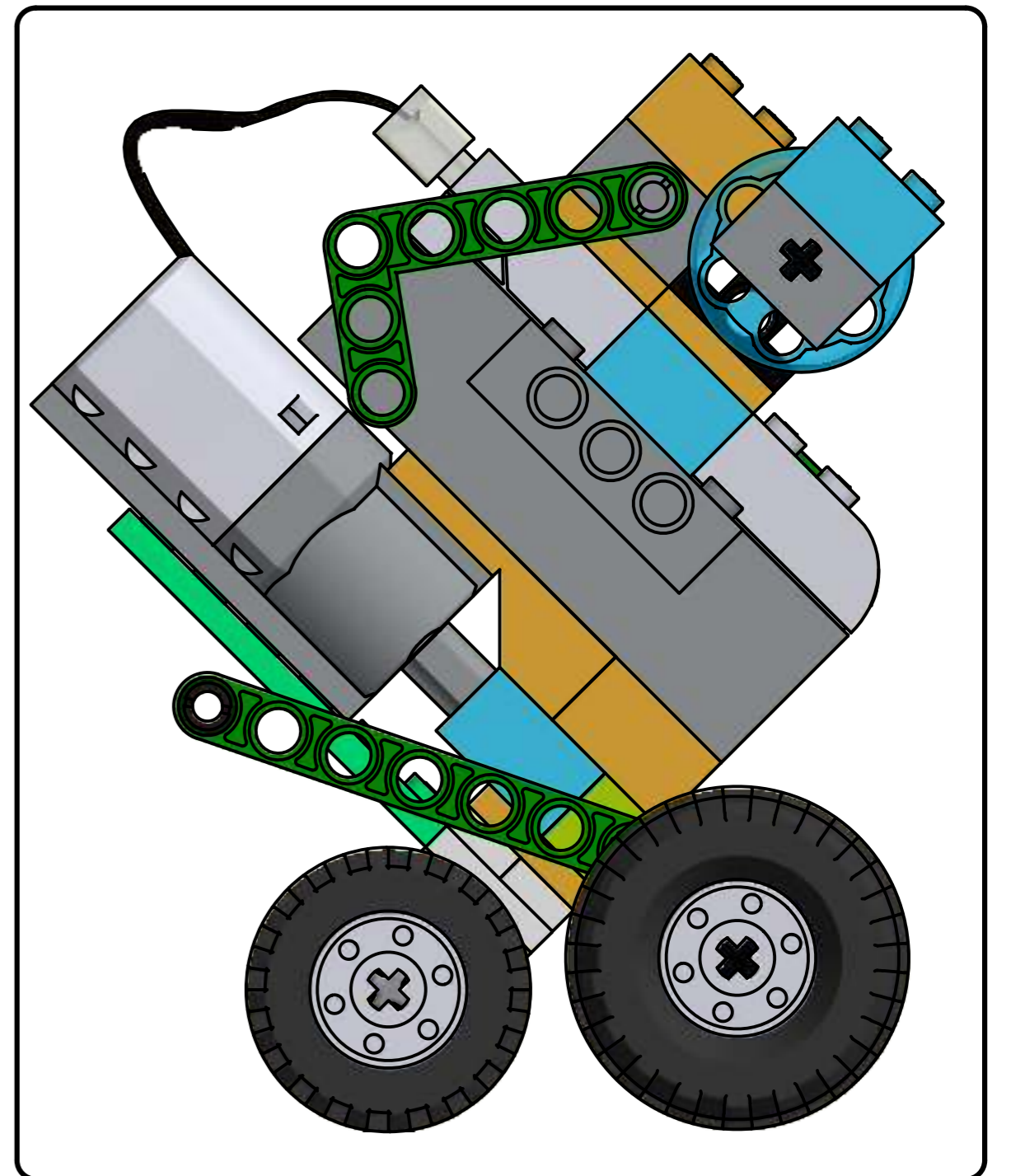
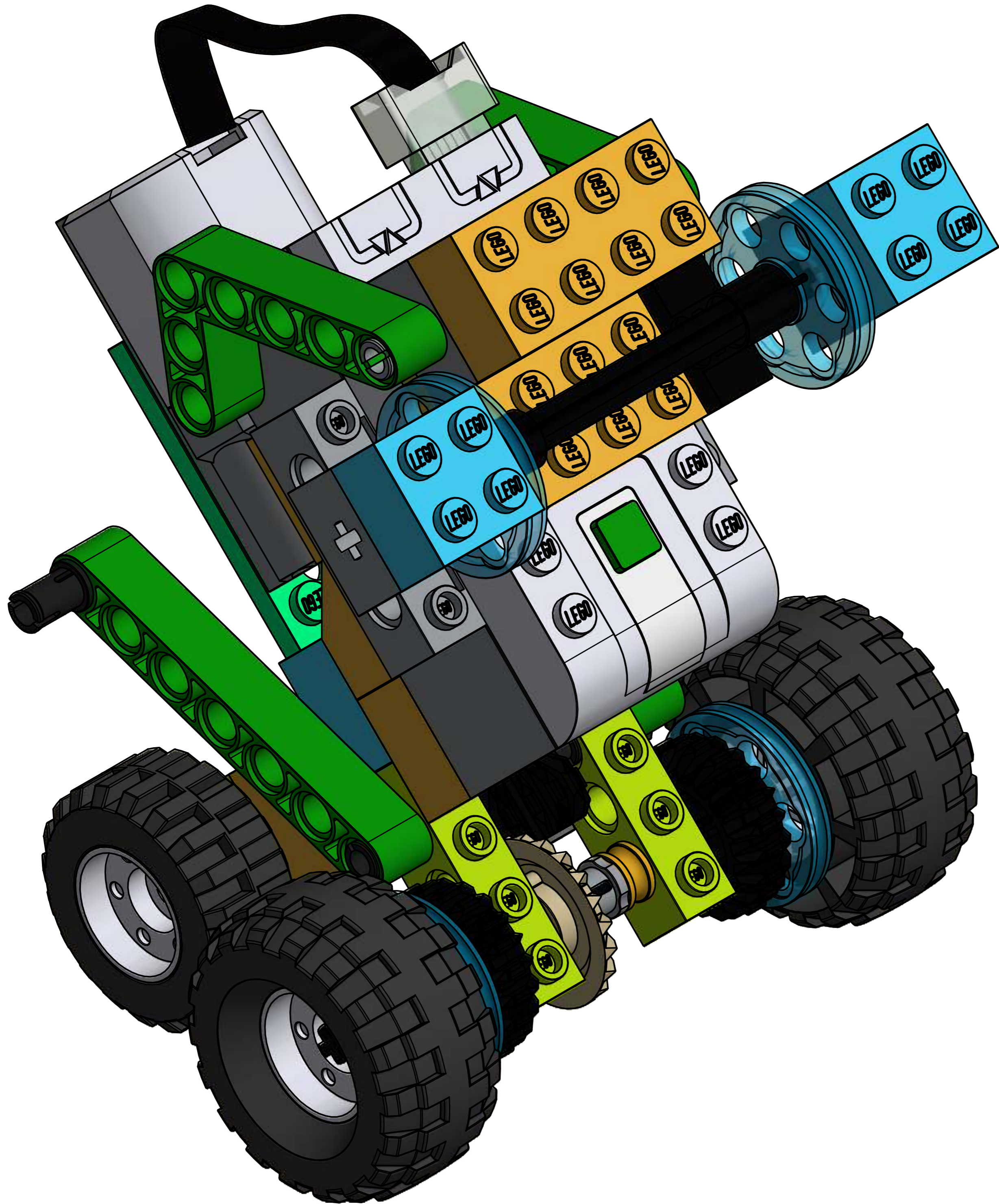


2x



24

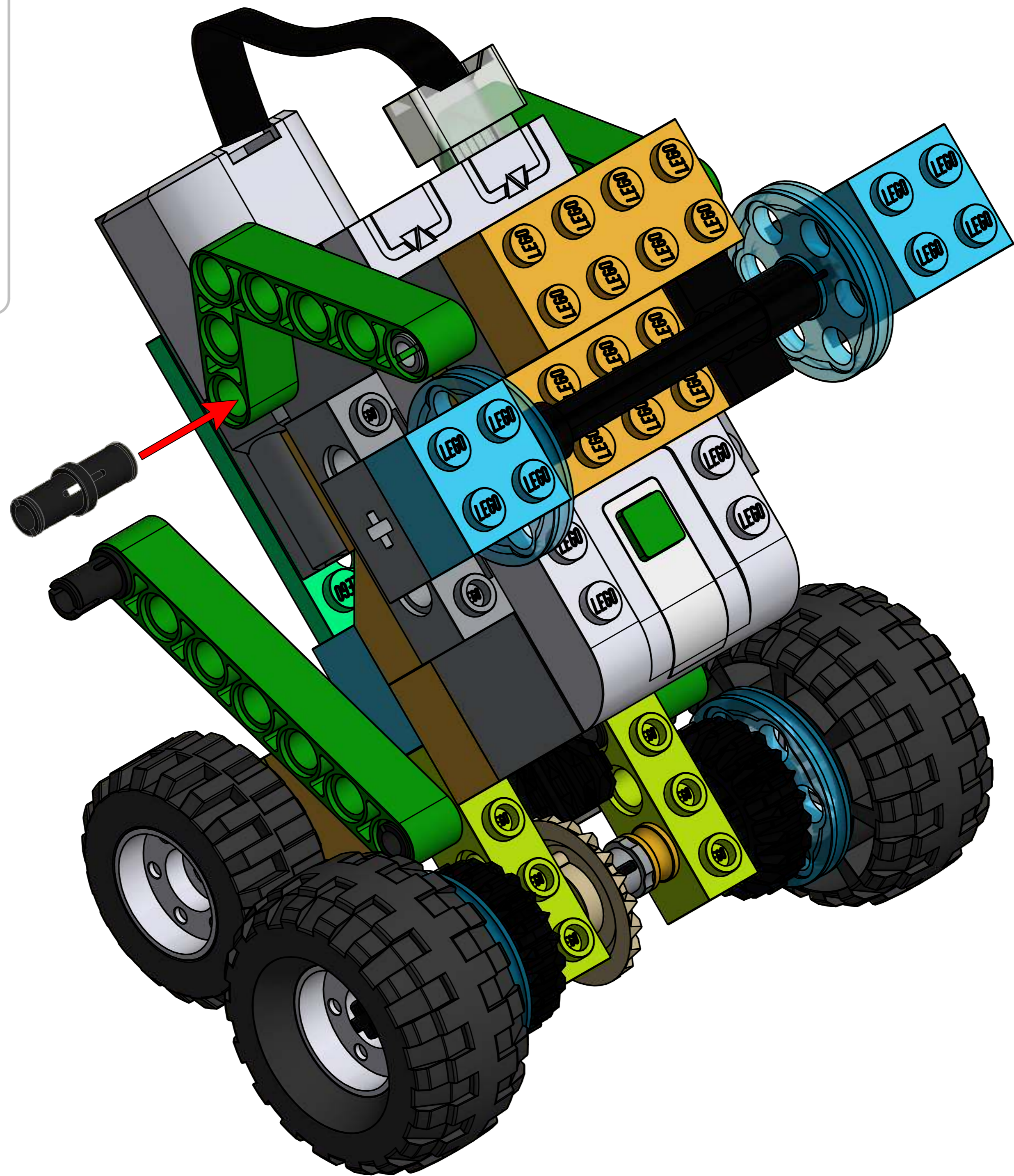






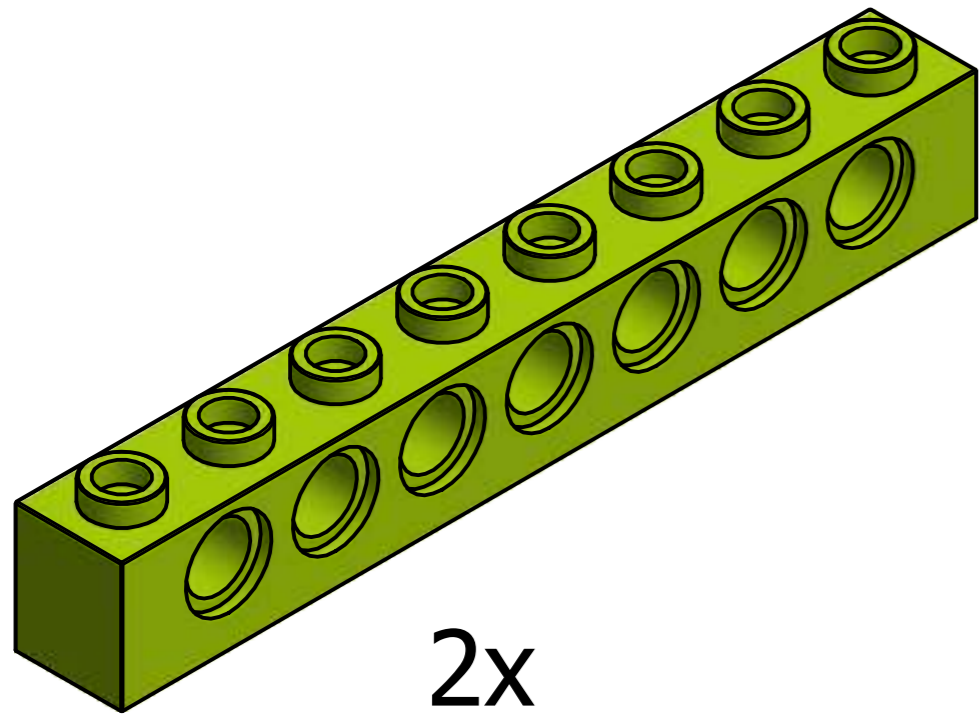


2x

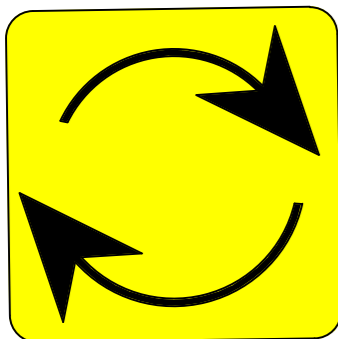
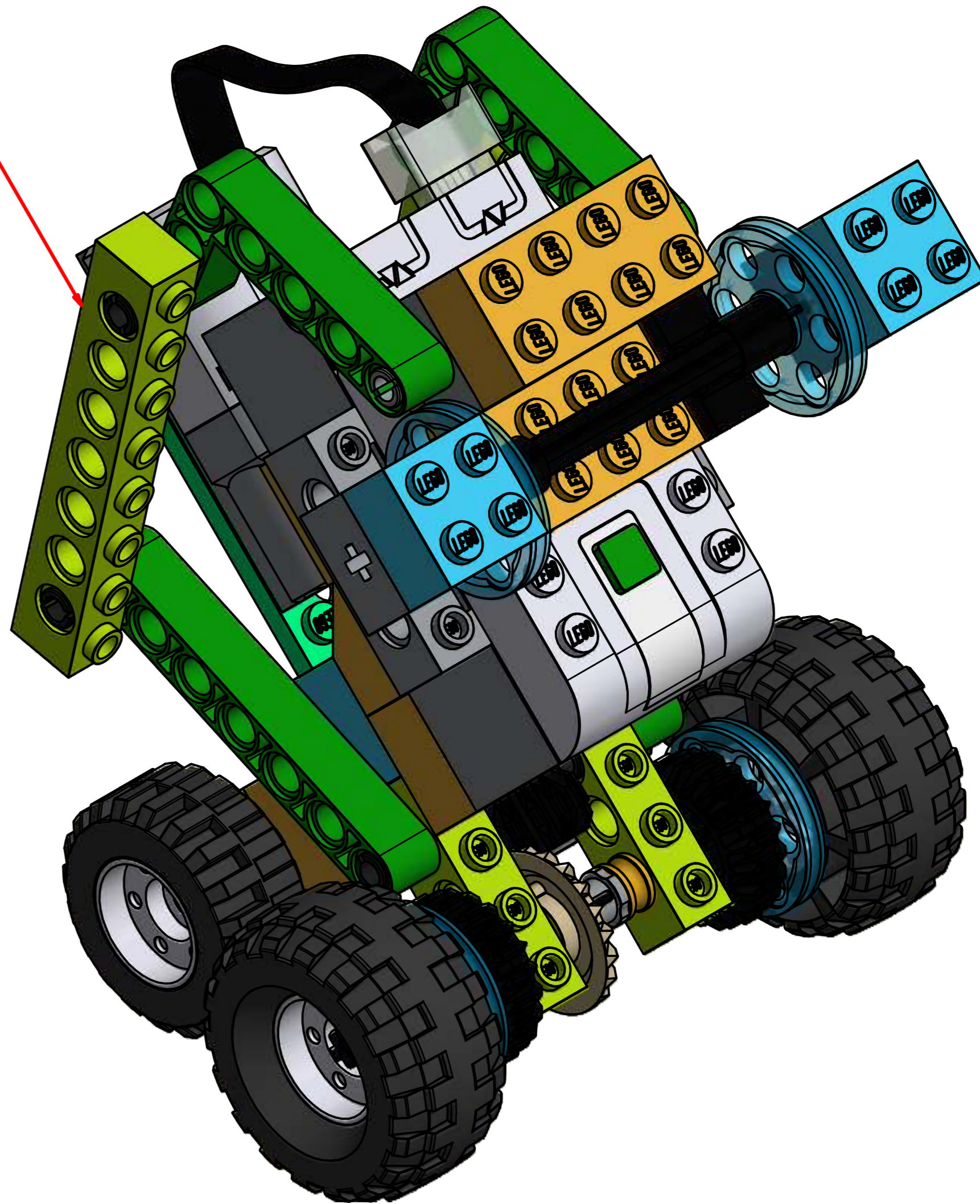
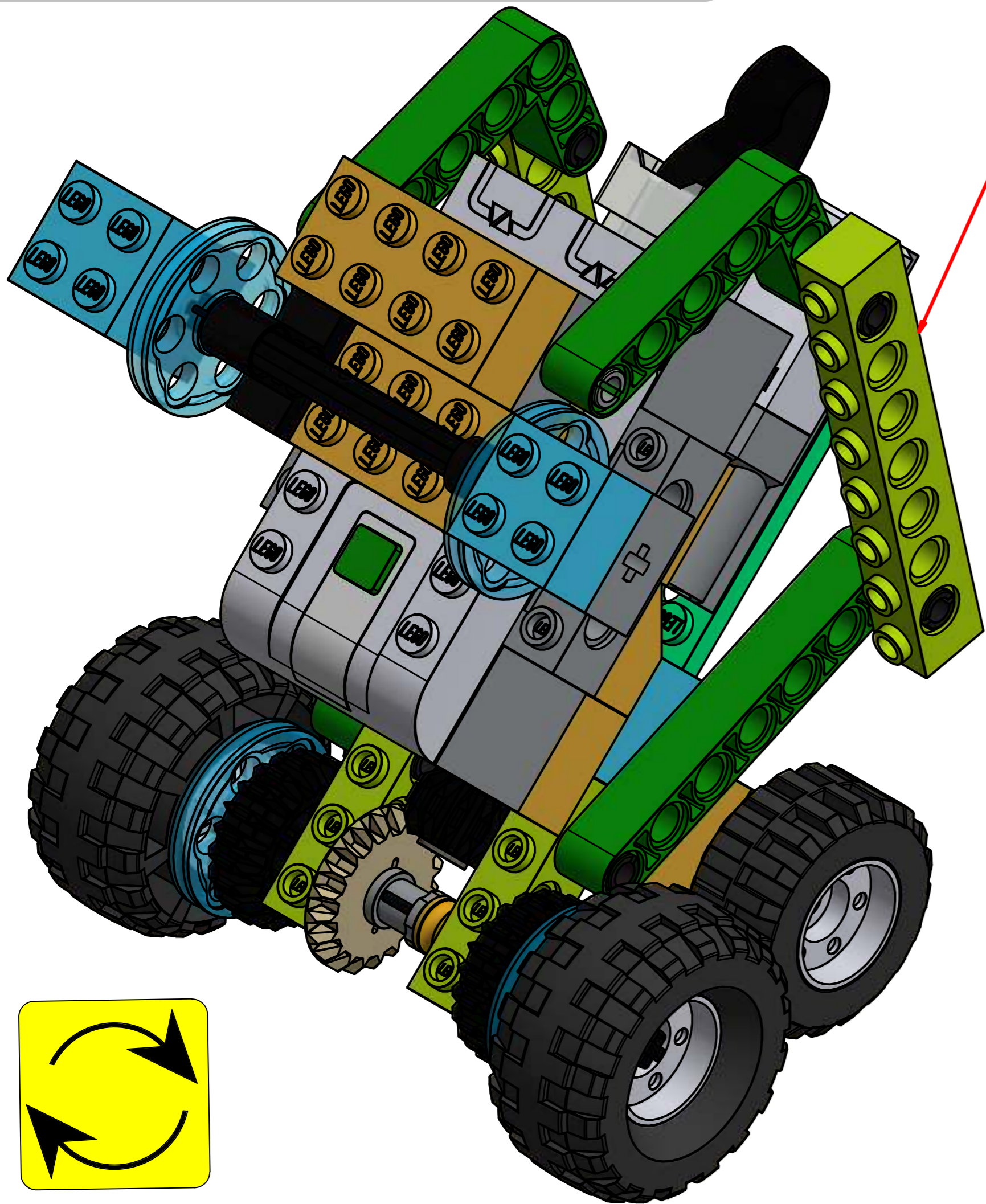
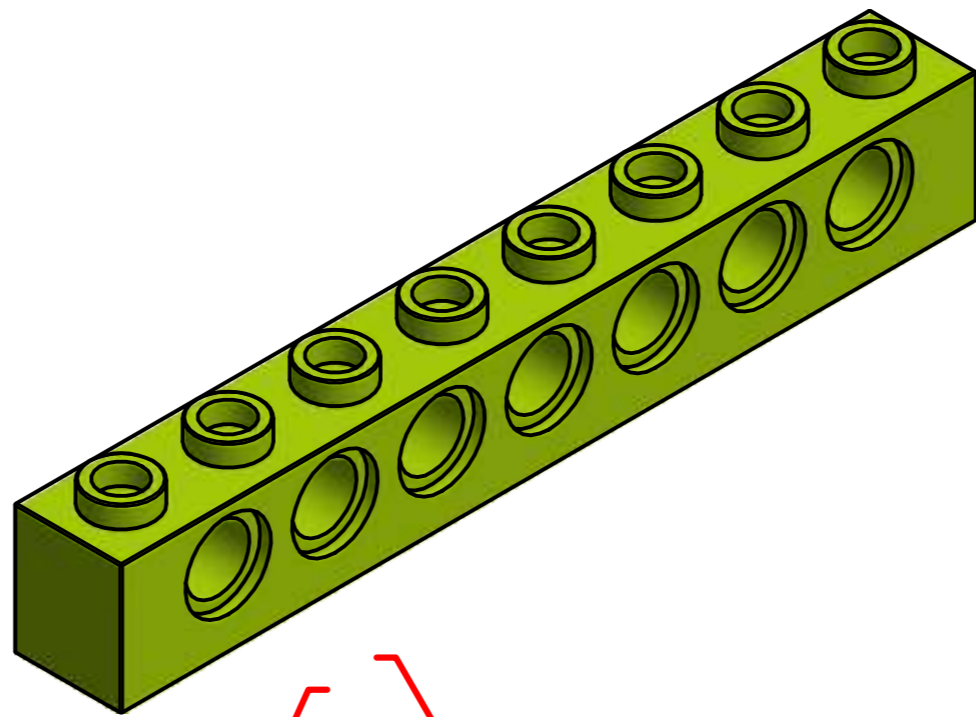


26

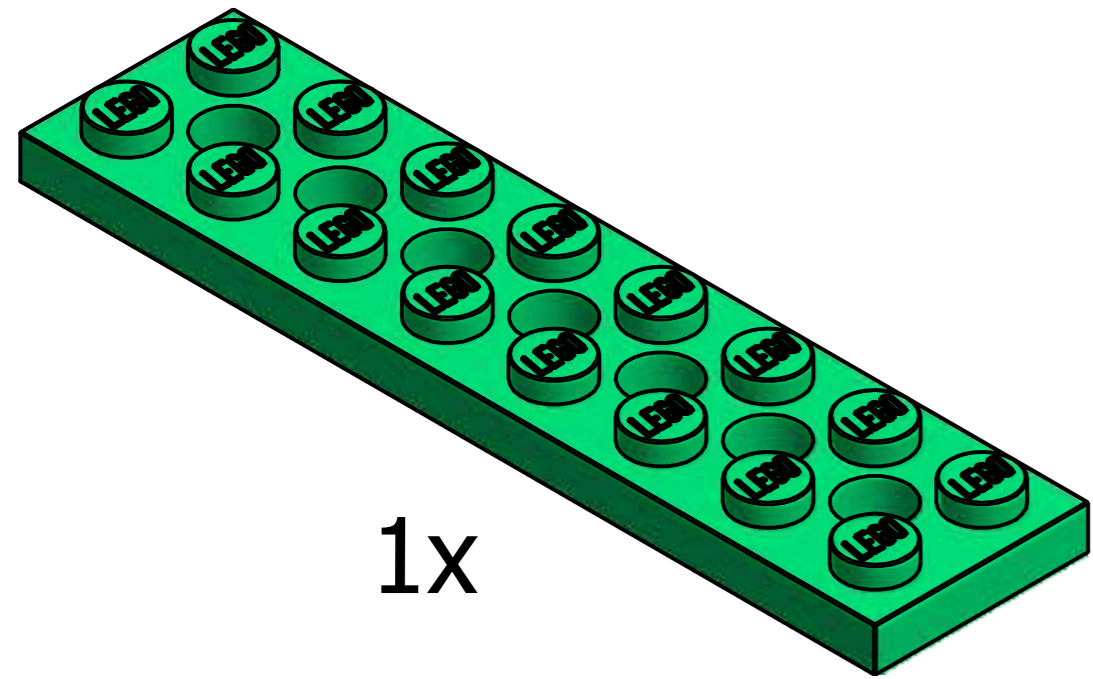




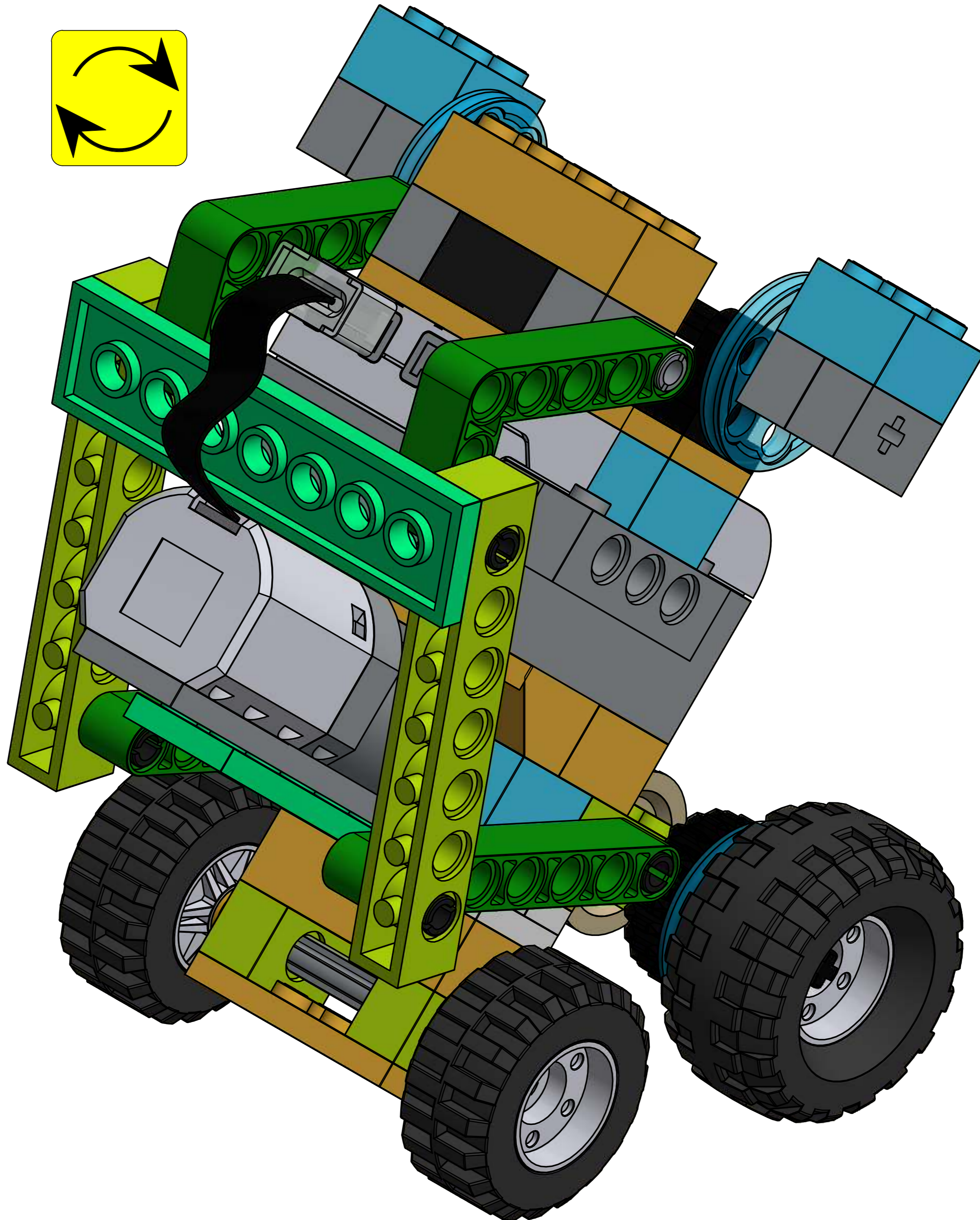
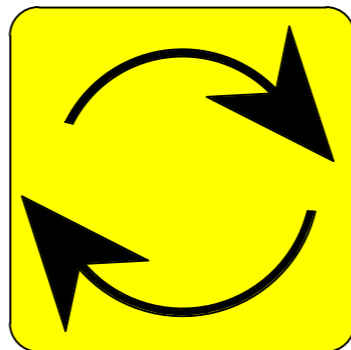
2x





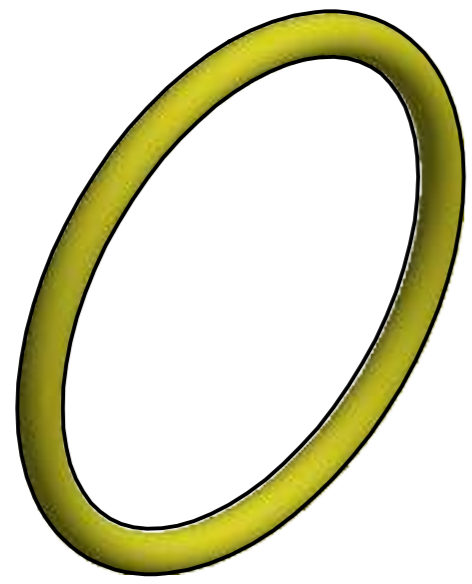


1x

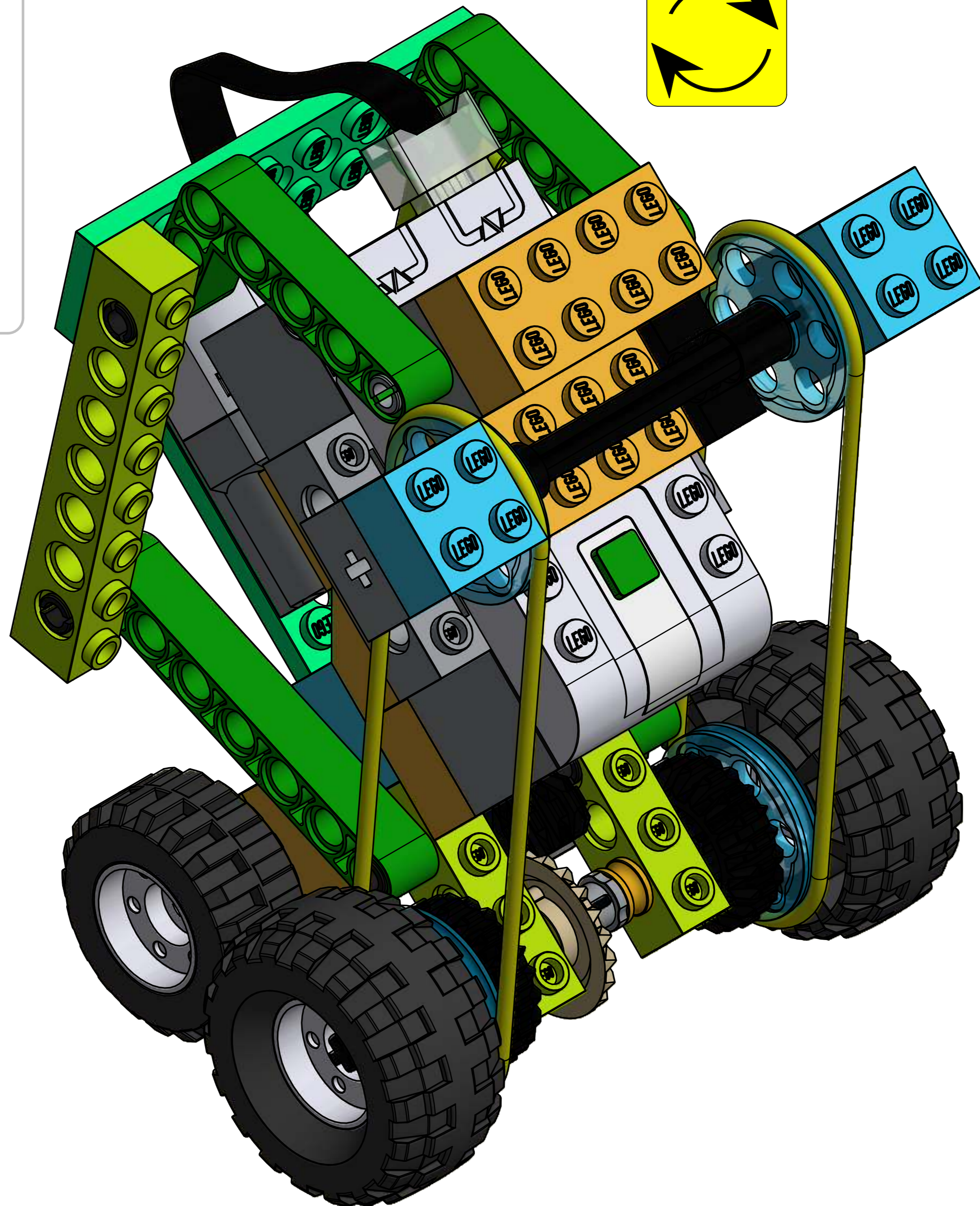
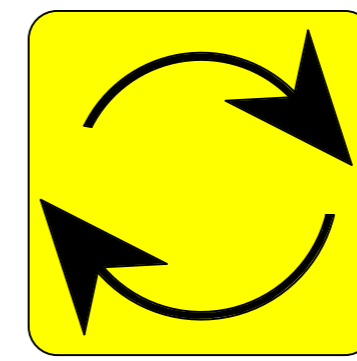


28

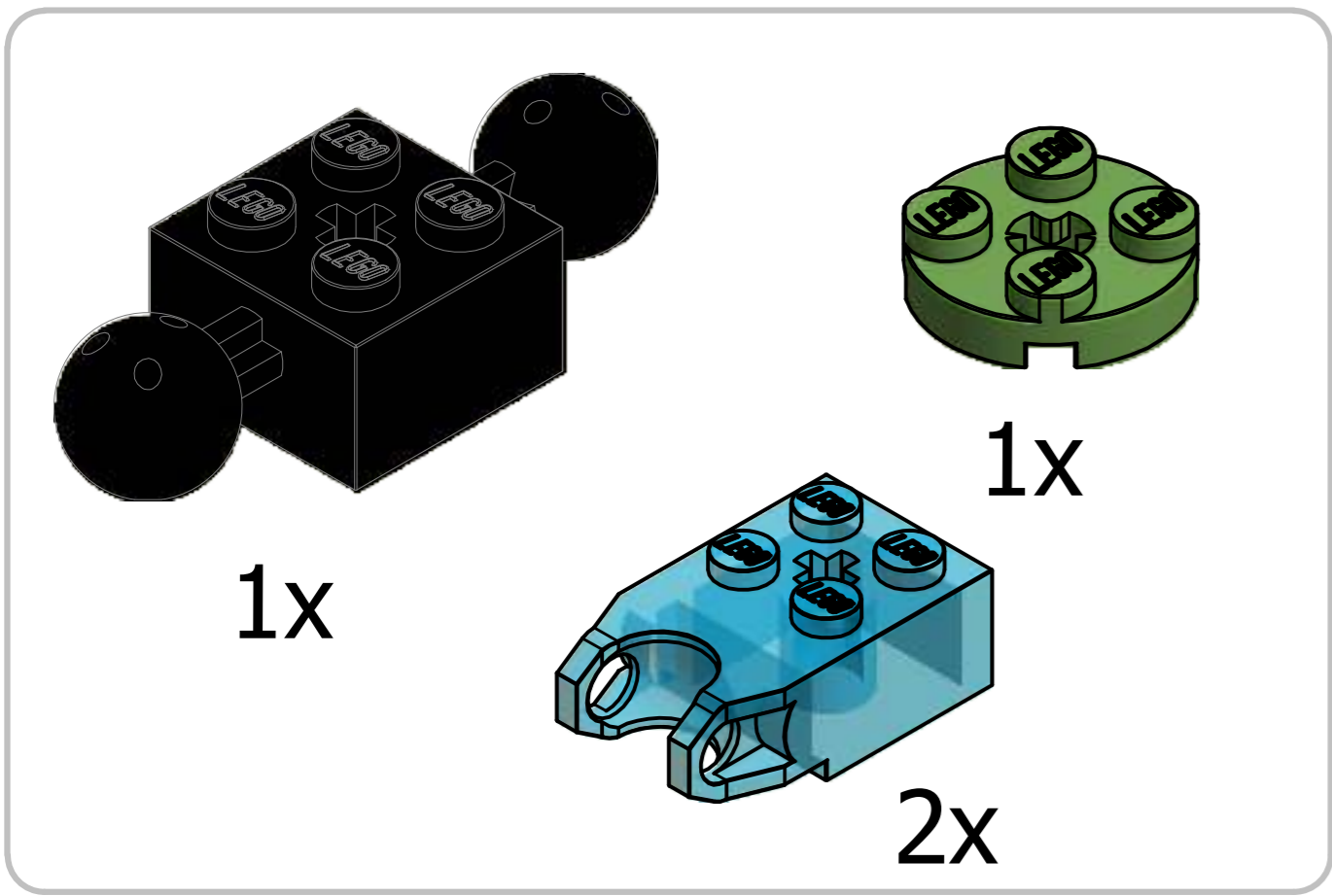




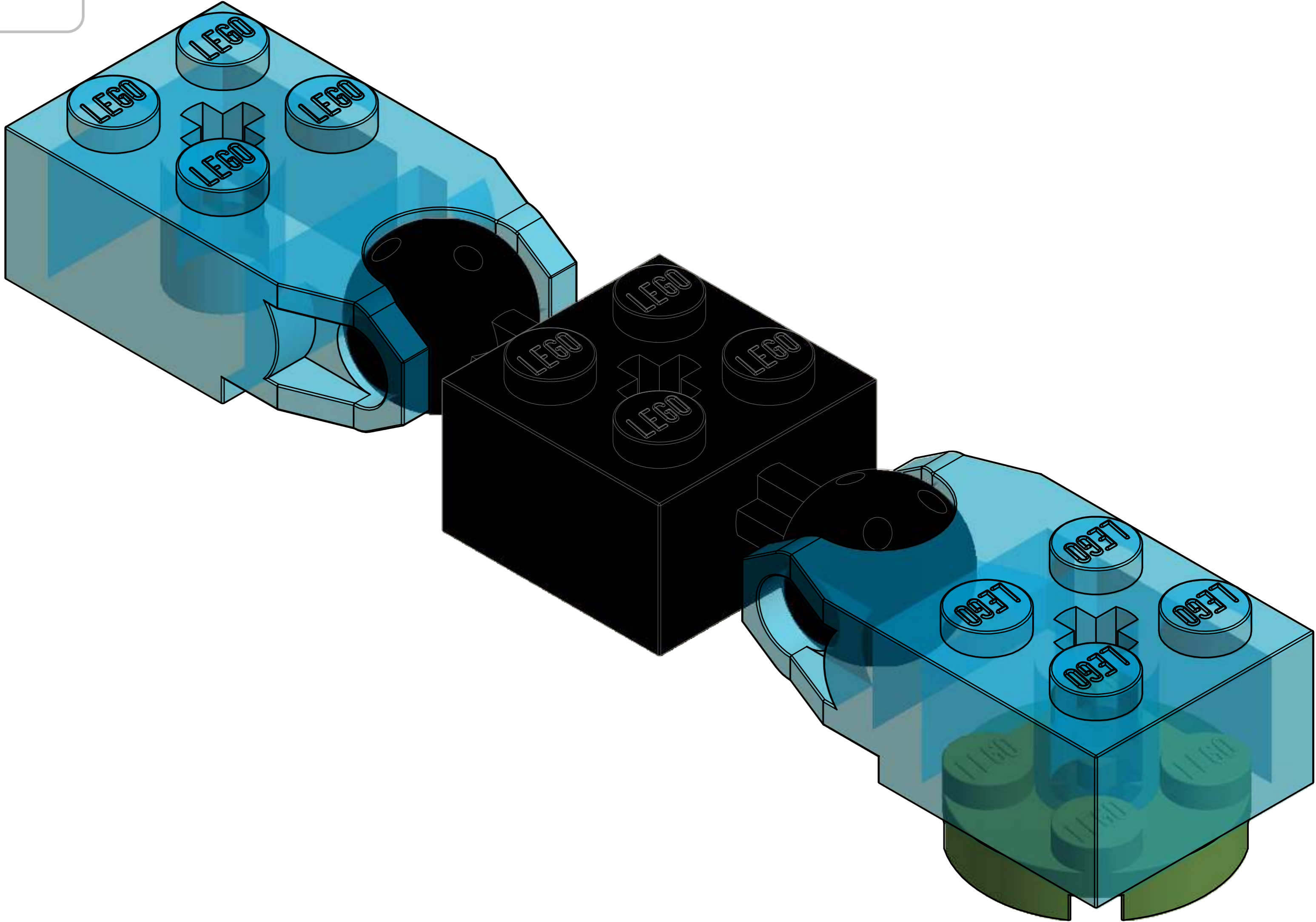
2x



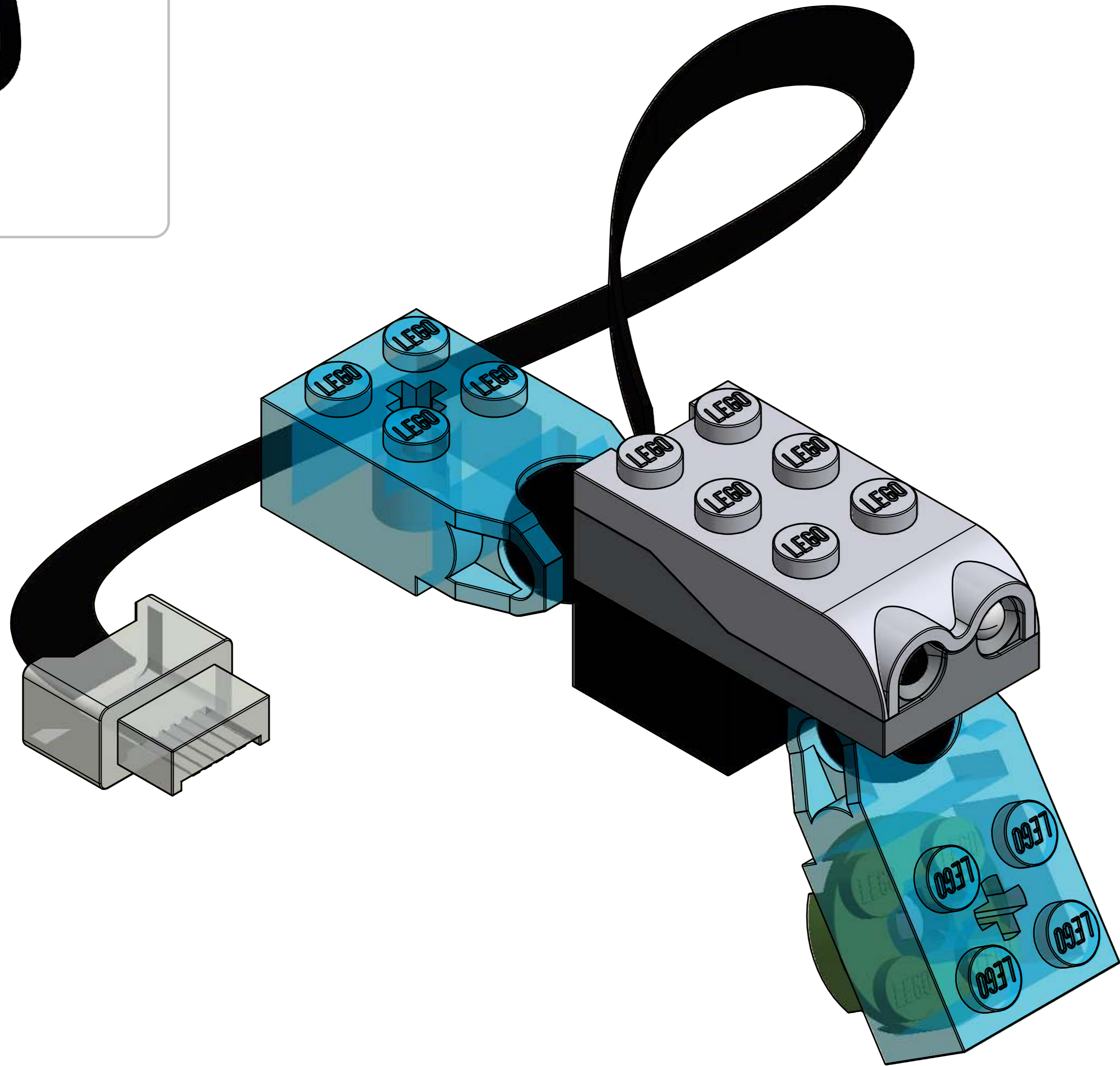
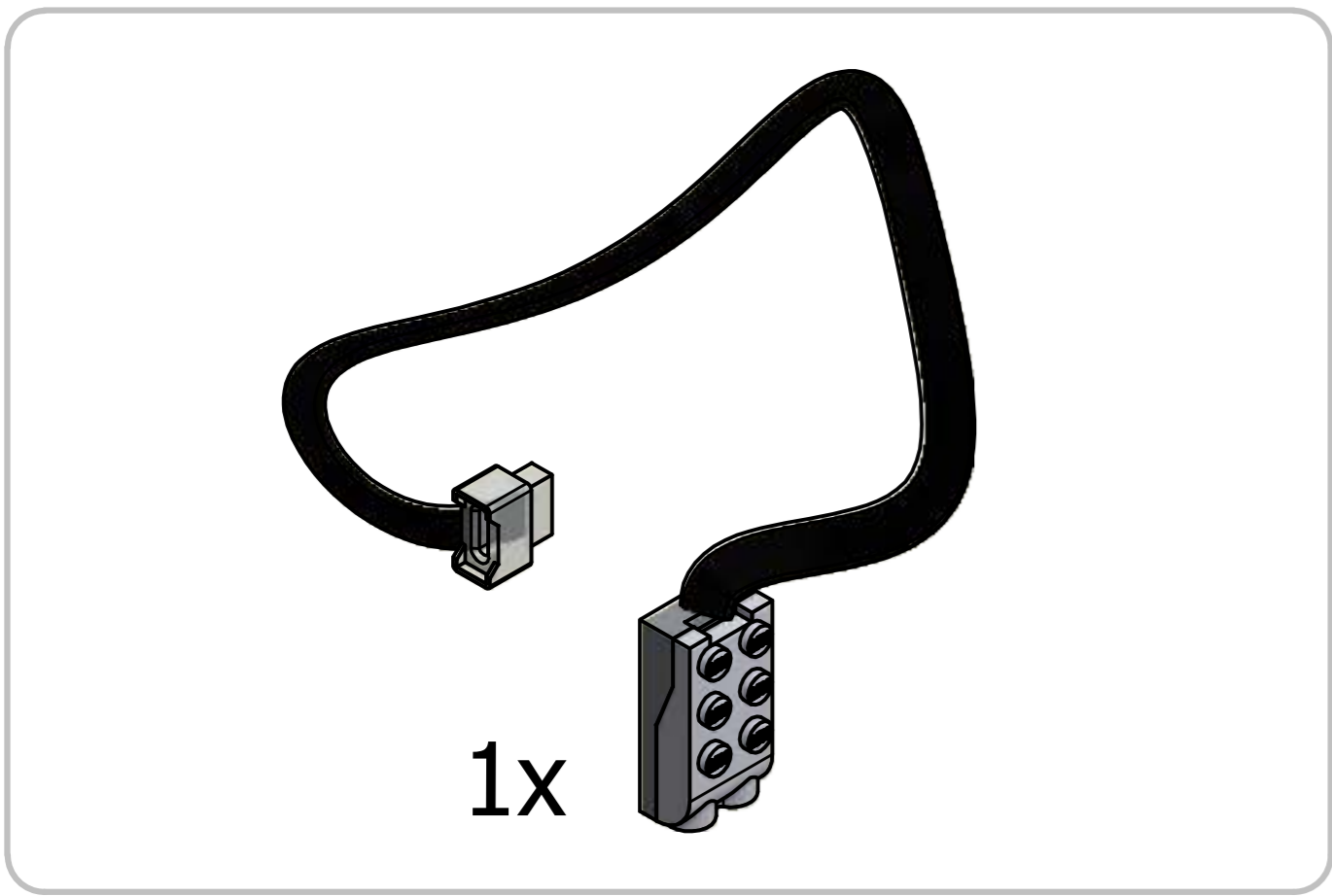




**30**

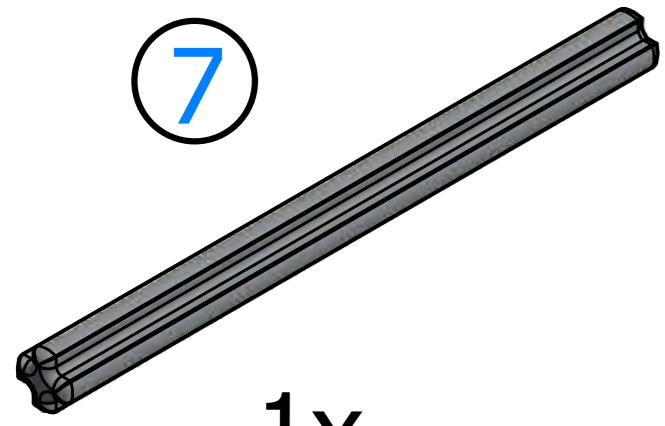




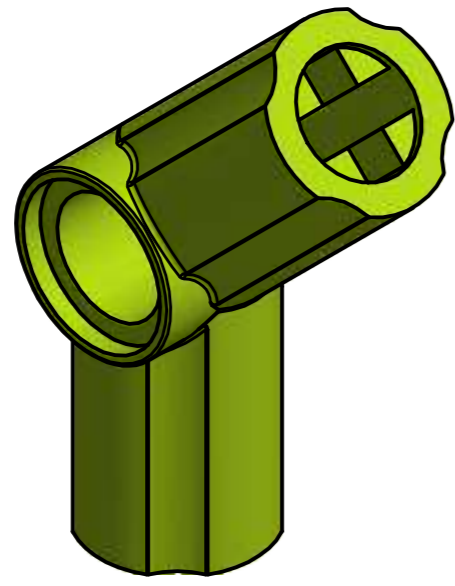




7

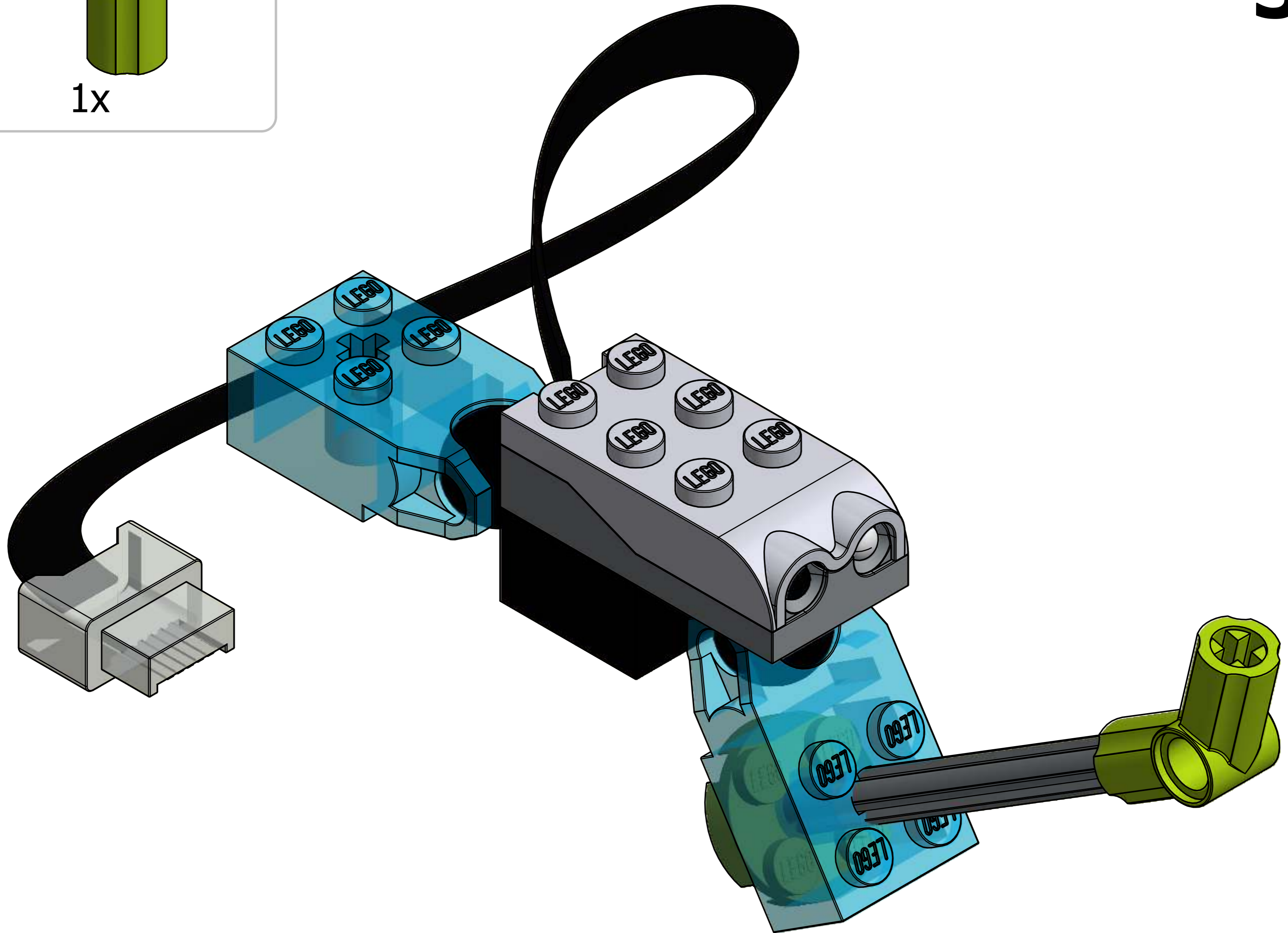


1x

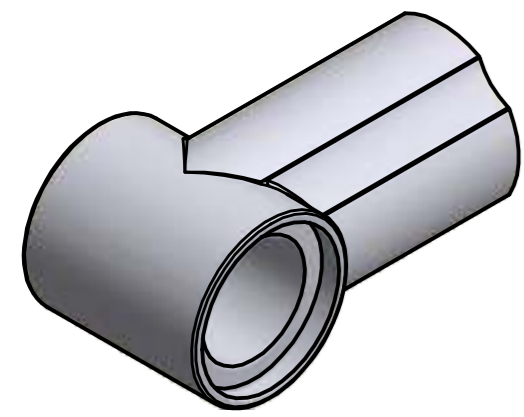


1x

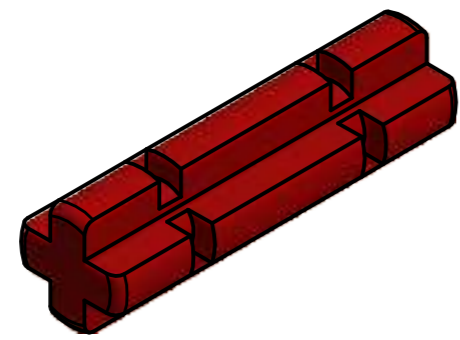
32





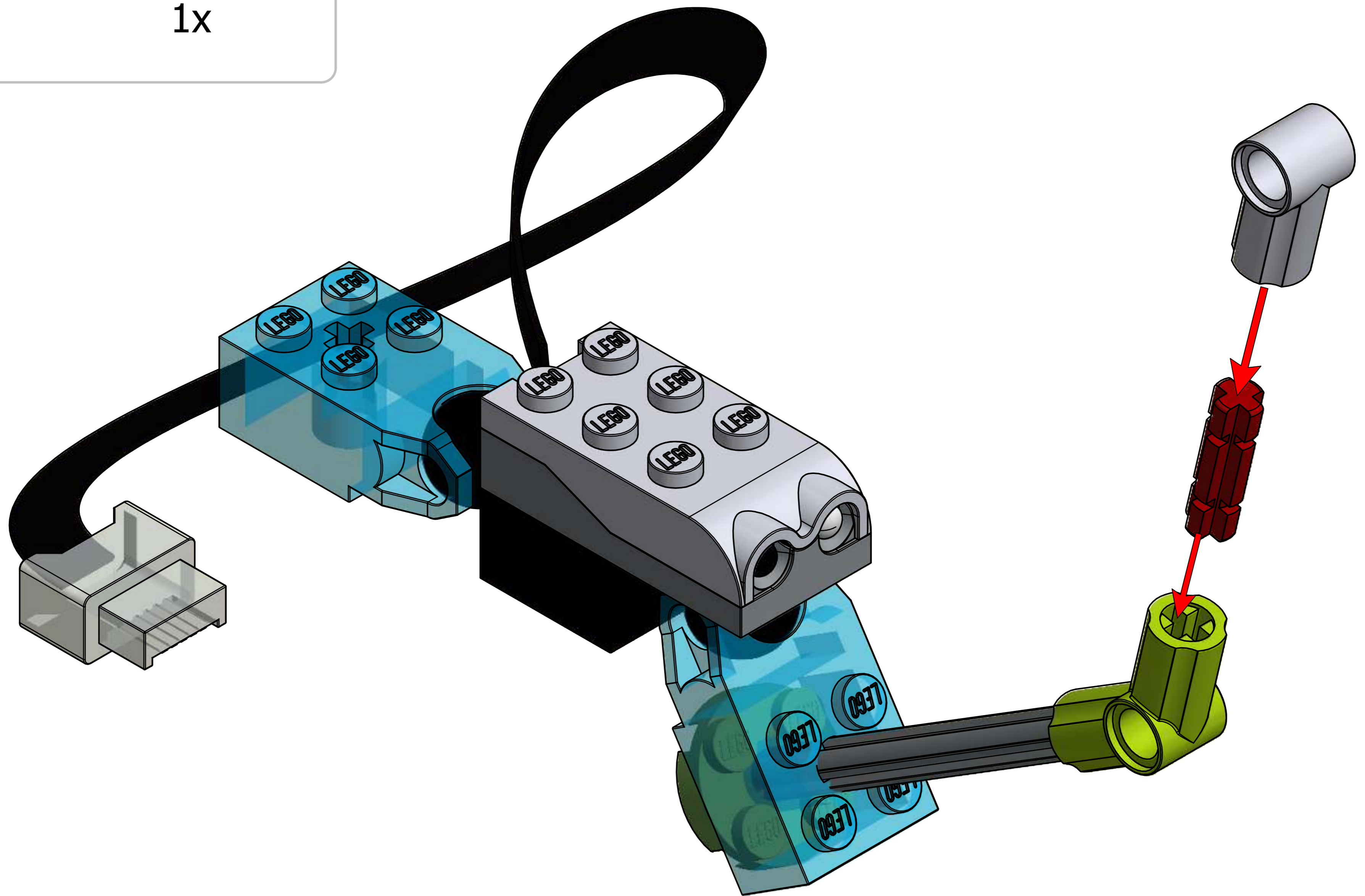


1x



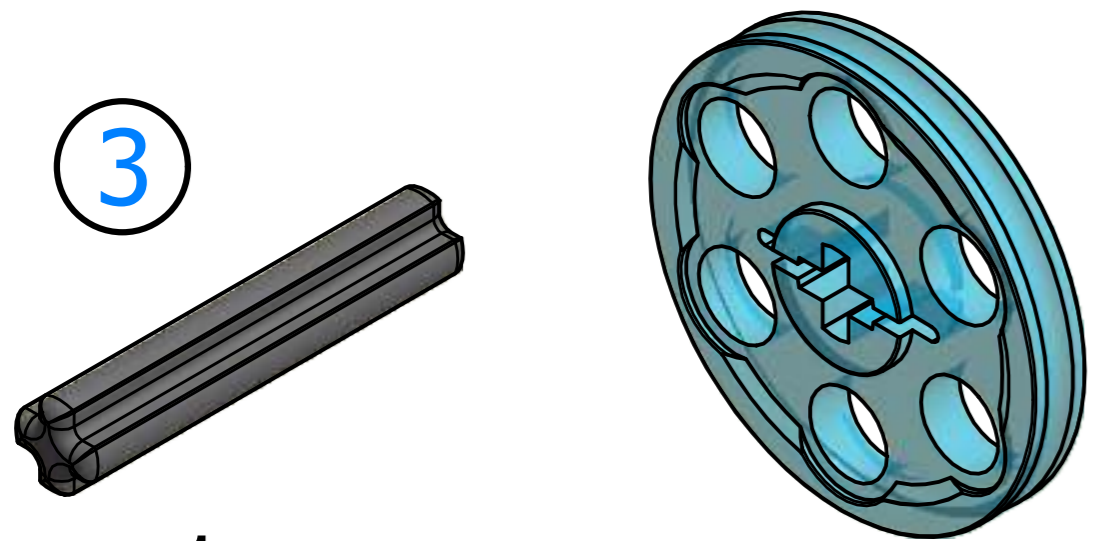
1x

33





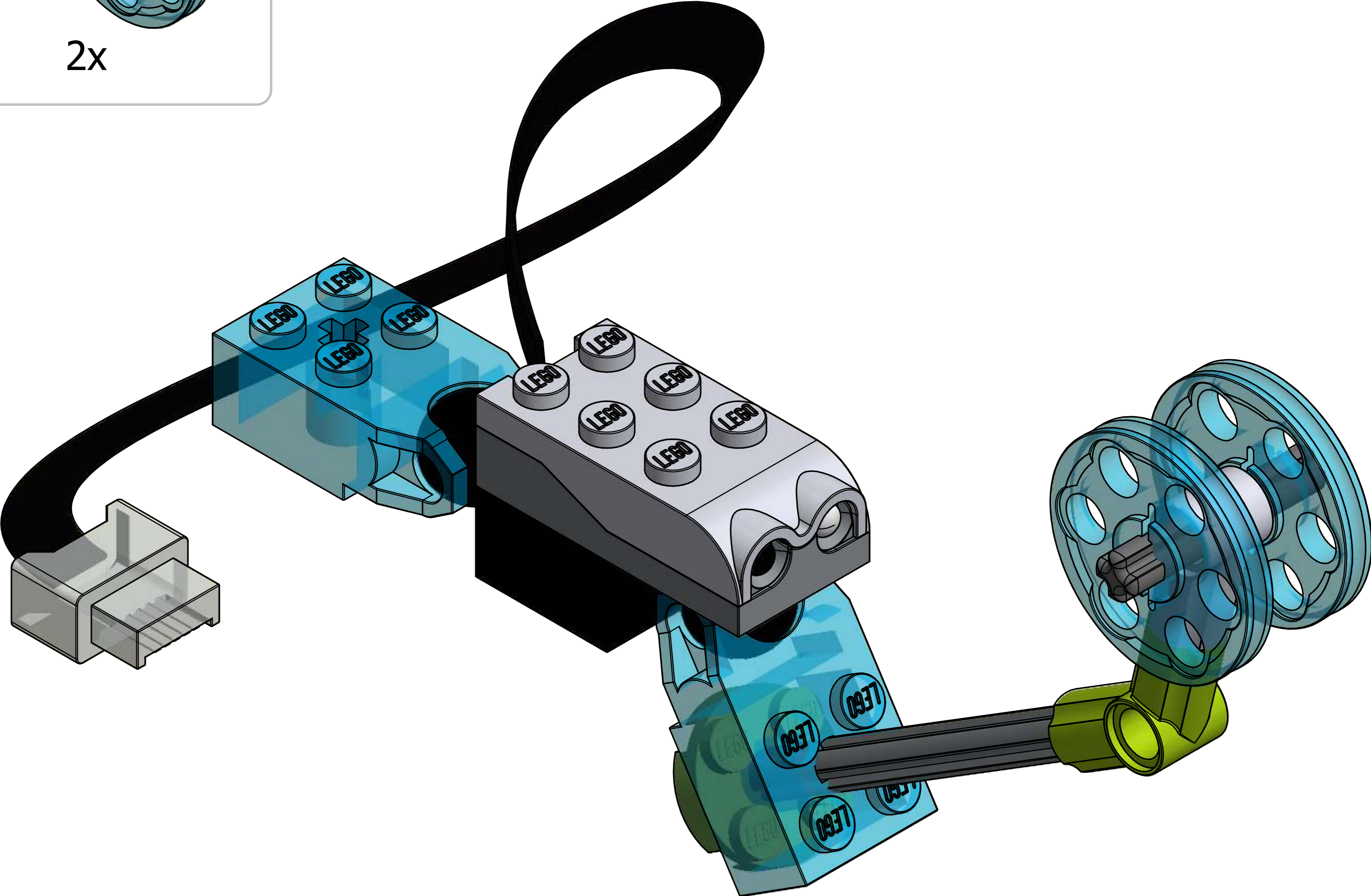
3



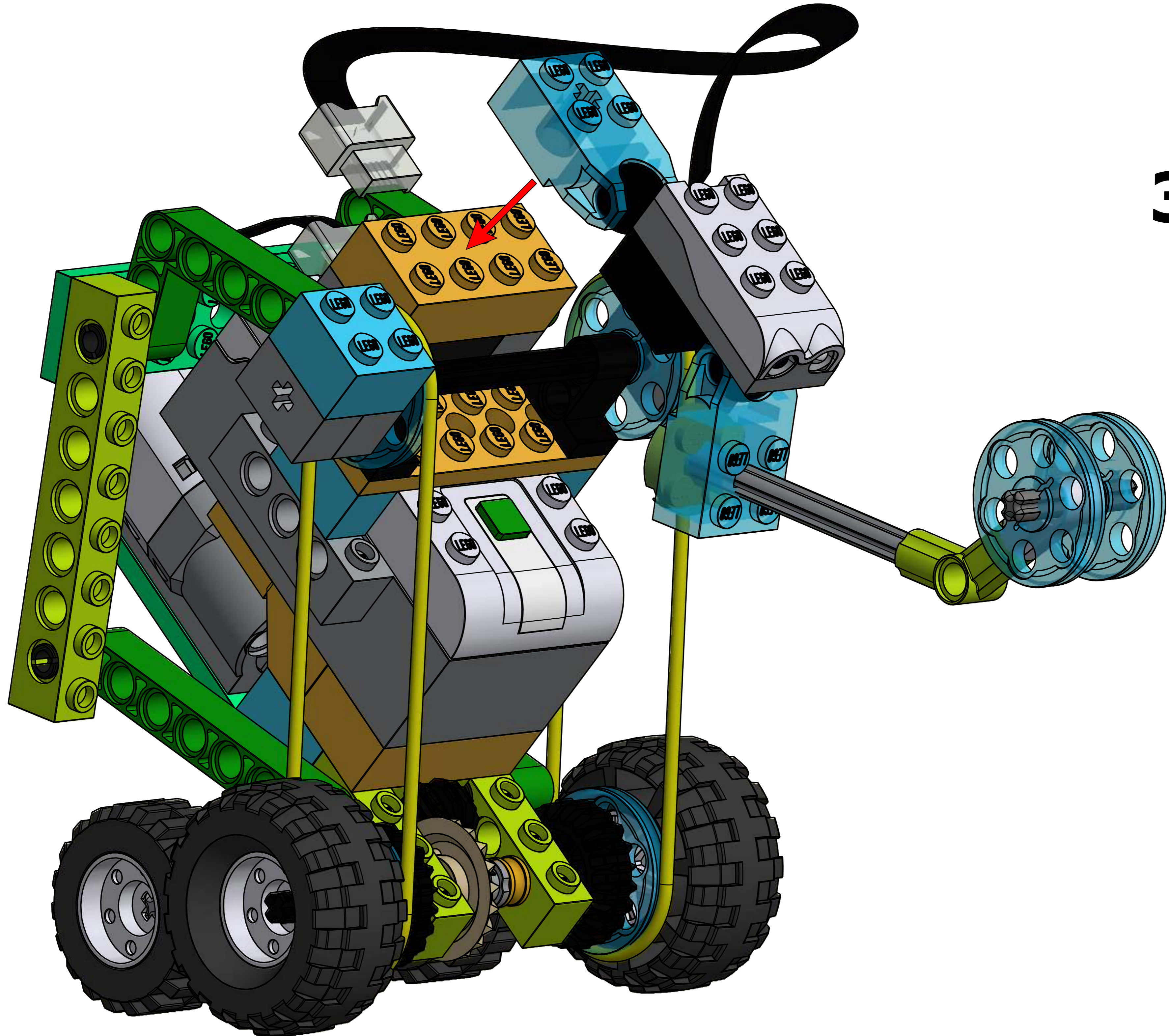
1x

2x

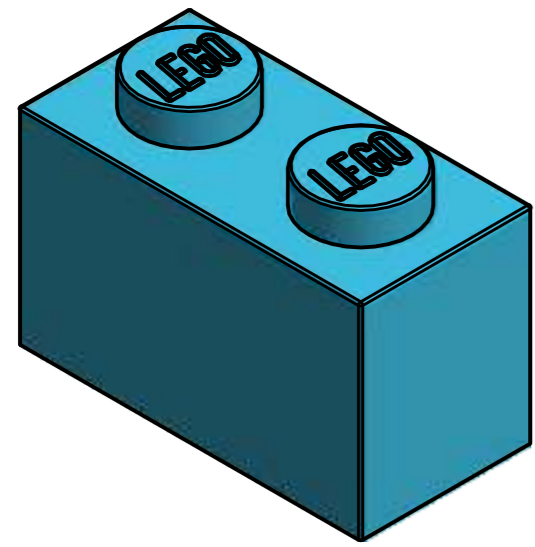
This inset box shows the parts required for step 34. On the left is a grey axle with a blue circle containing the number '3' above it and '1x' below it. On the right is a blue pulley with a grey axle hole in the center and six smaller holes around the perimeter, with a blue circle containing '2x' below it.



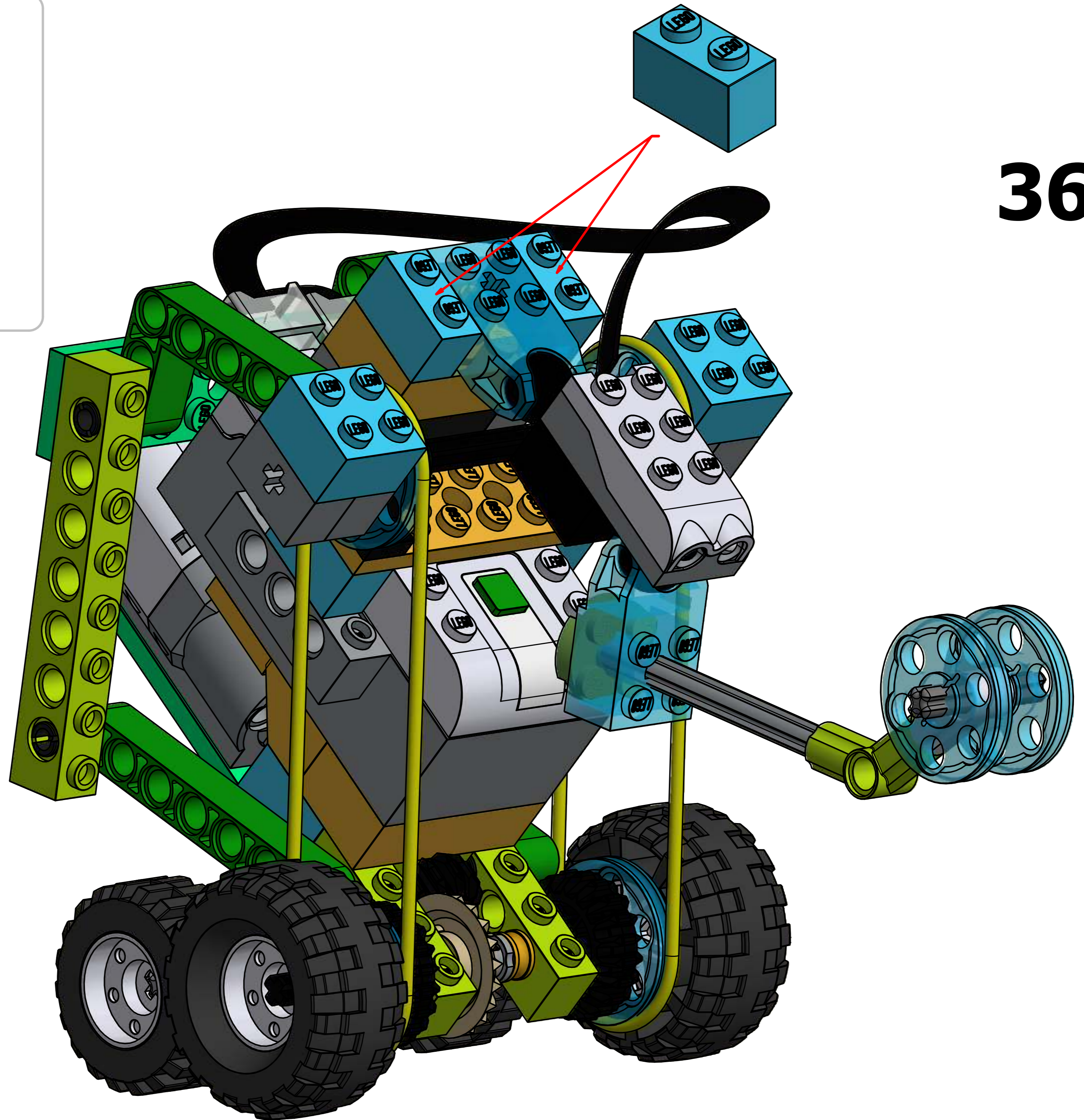
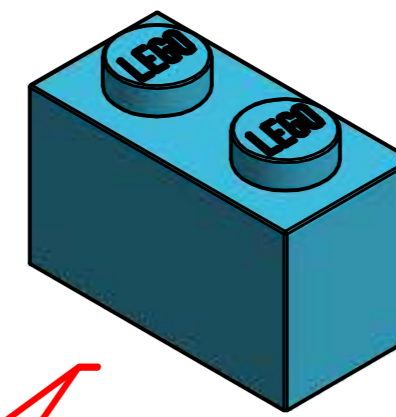






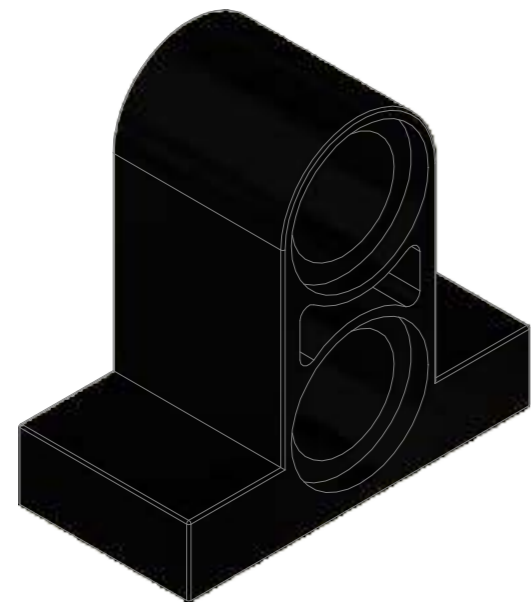


2x

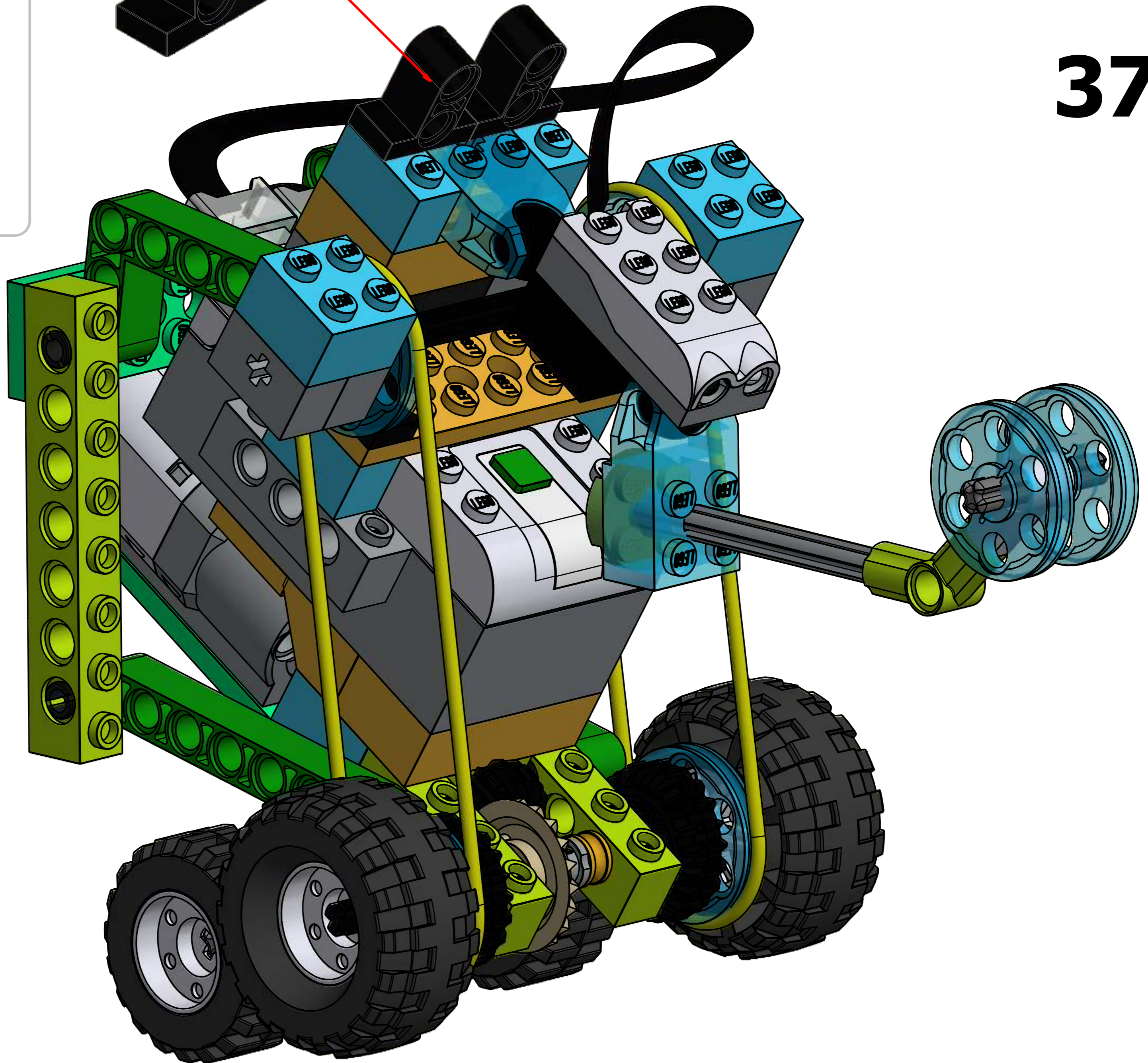
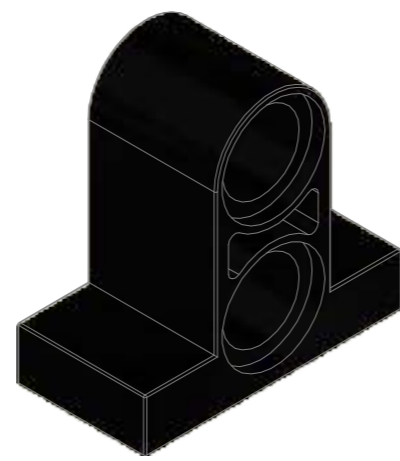


36



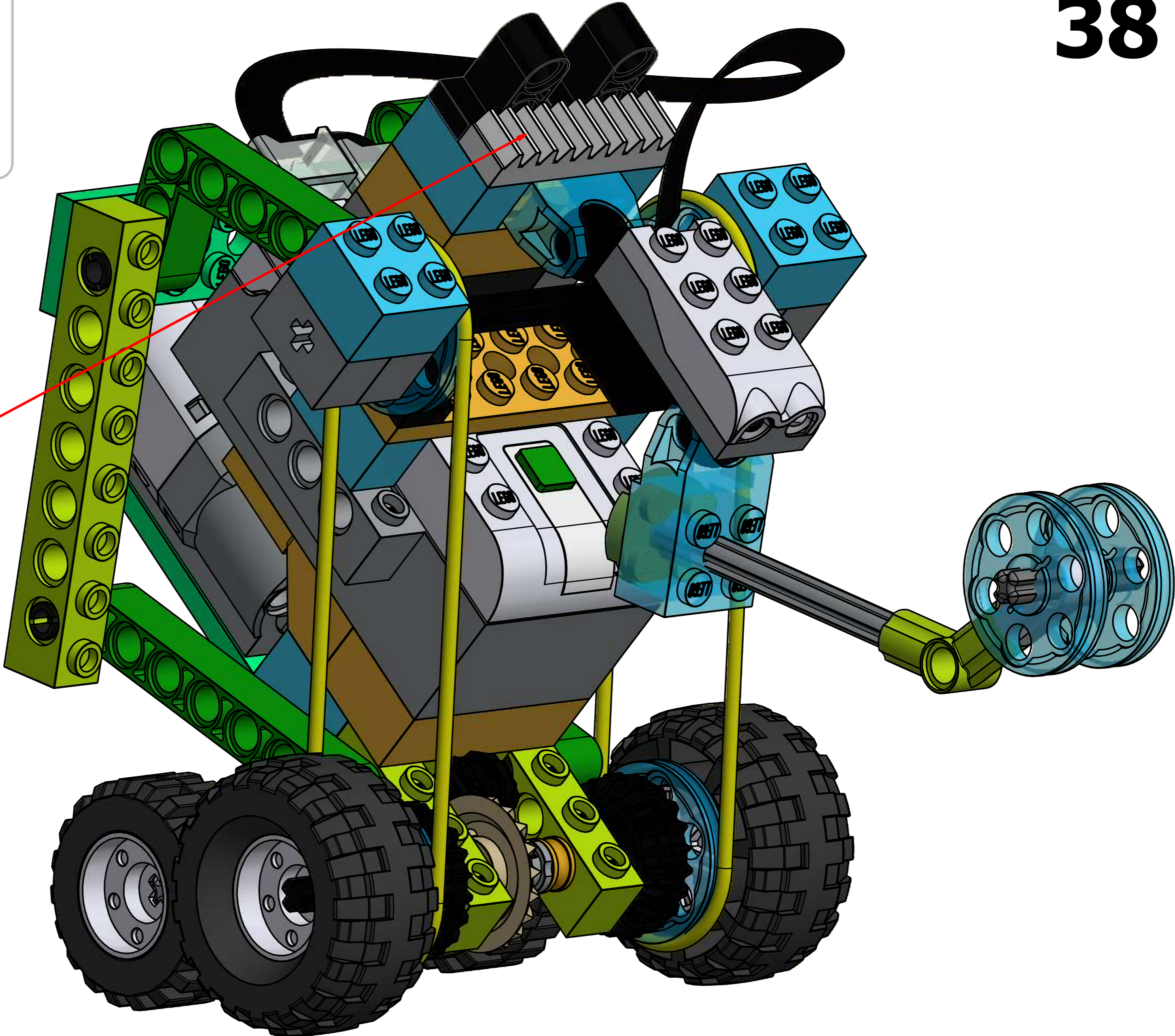
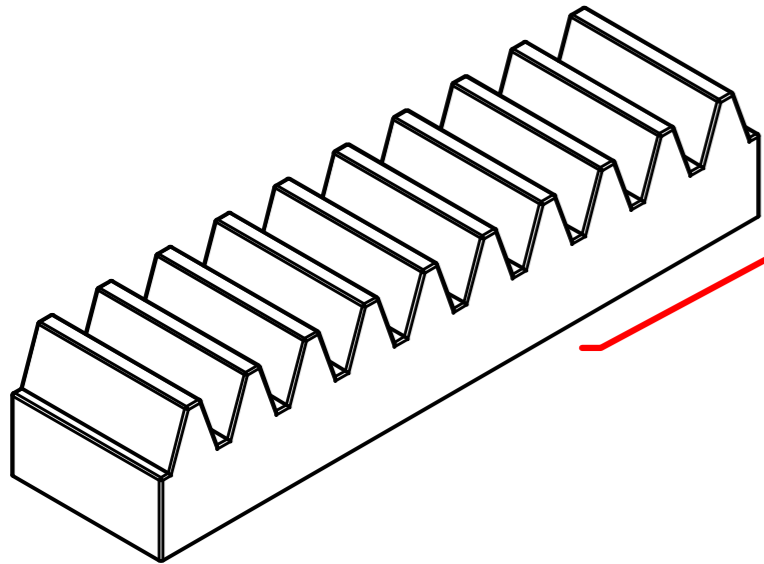
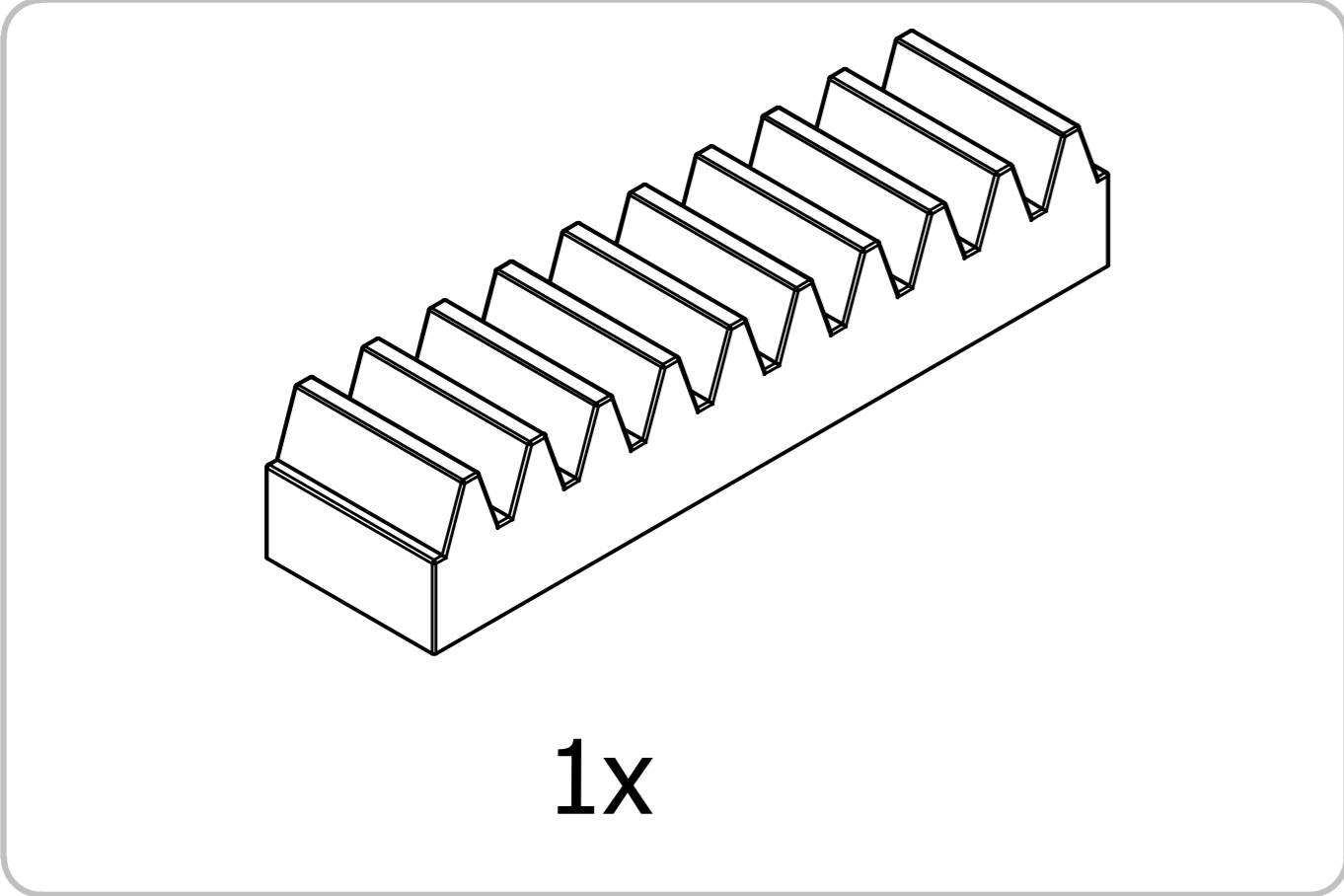


2x



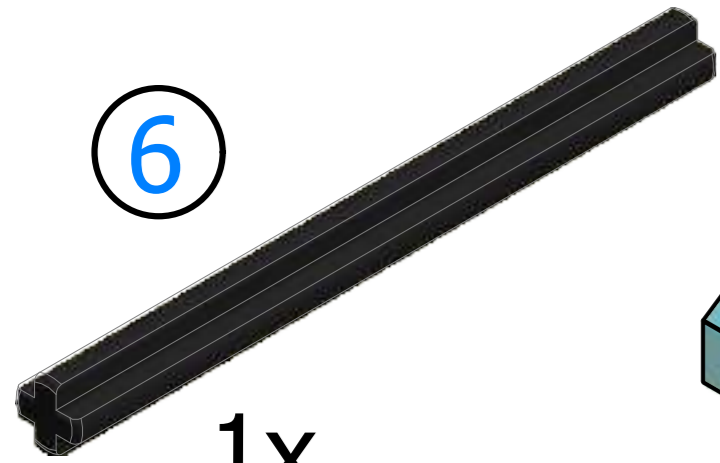
37



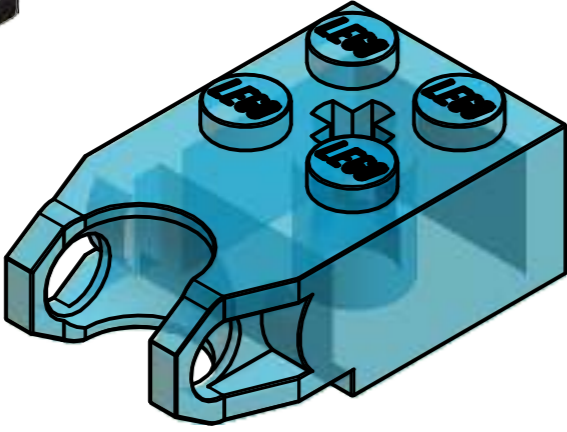




6



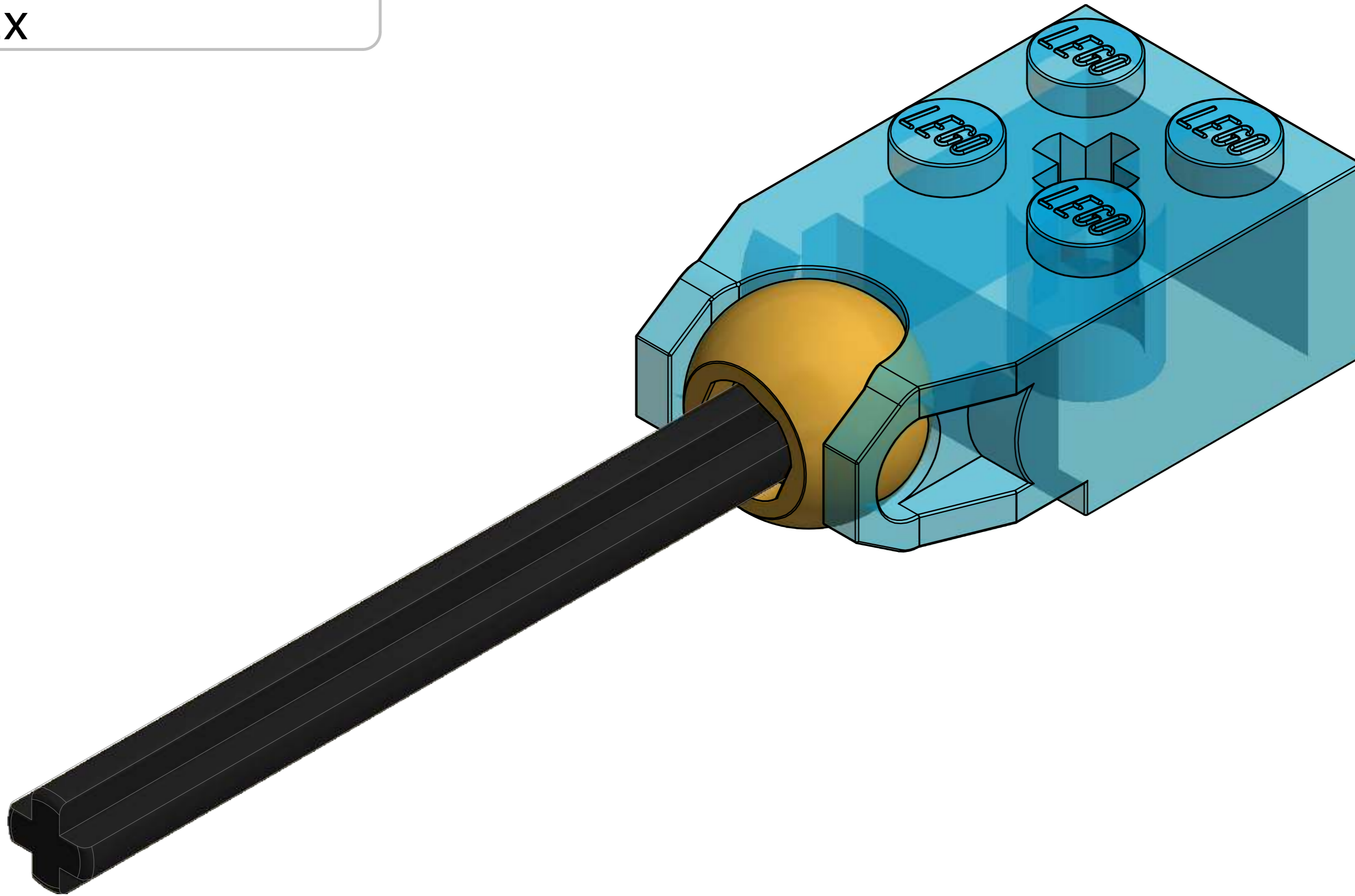
1x



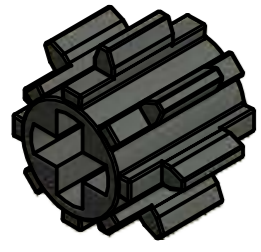
1x



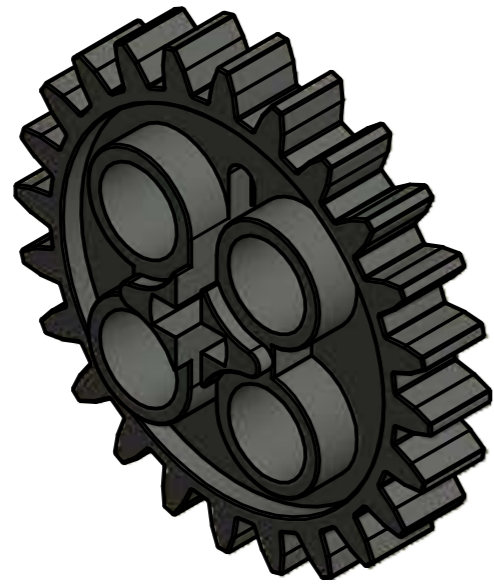
1x



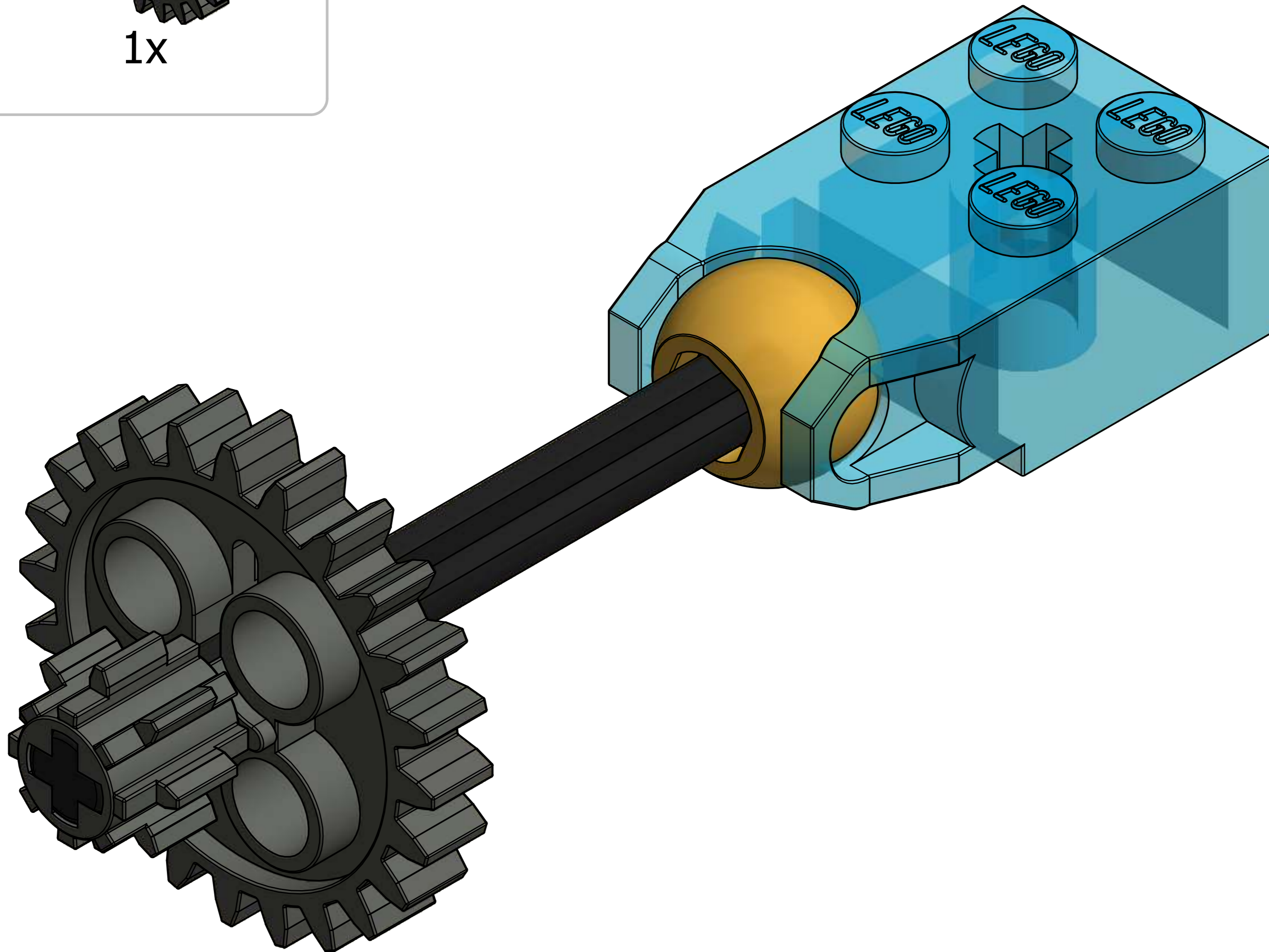




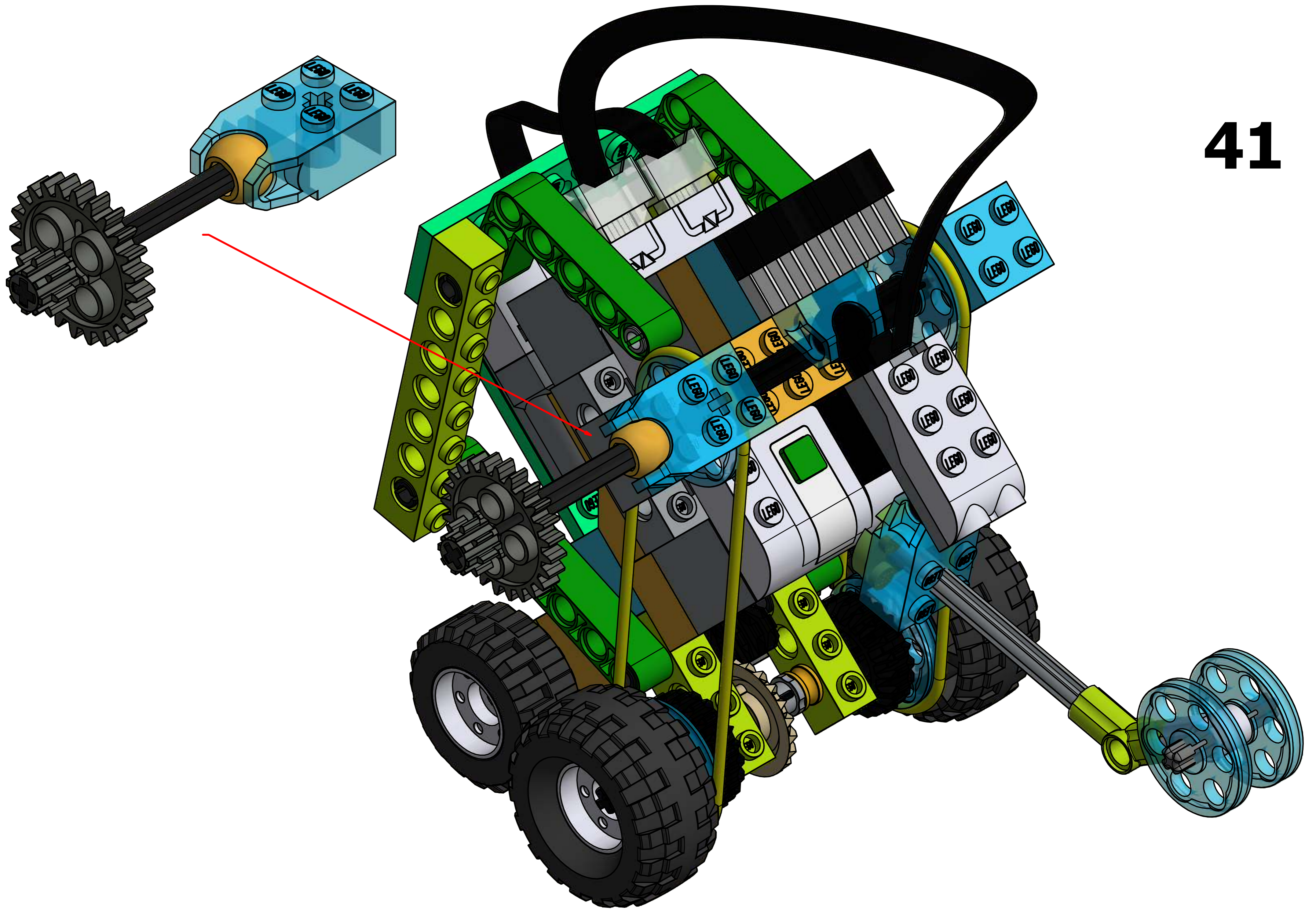
1x



1x

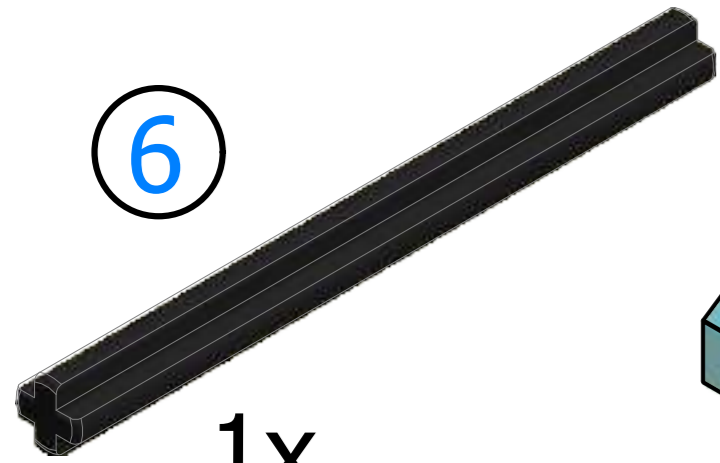




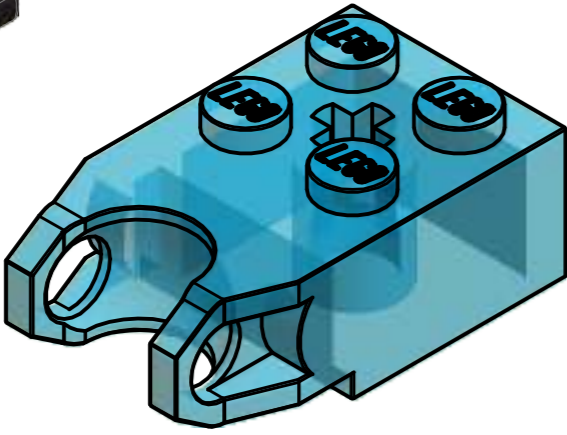




6



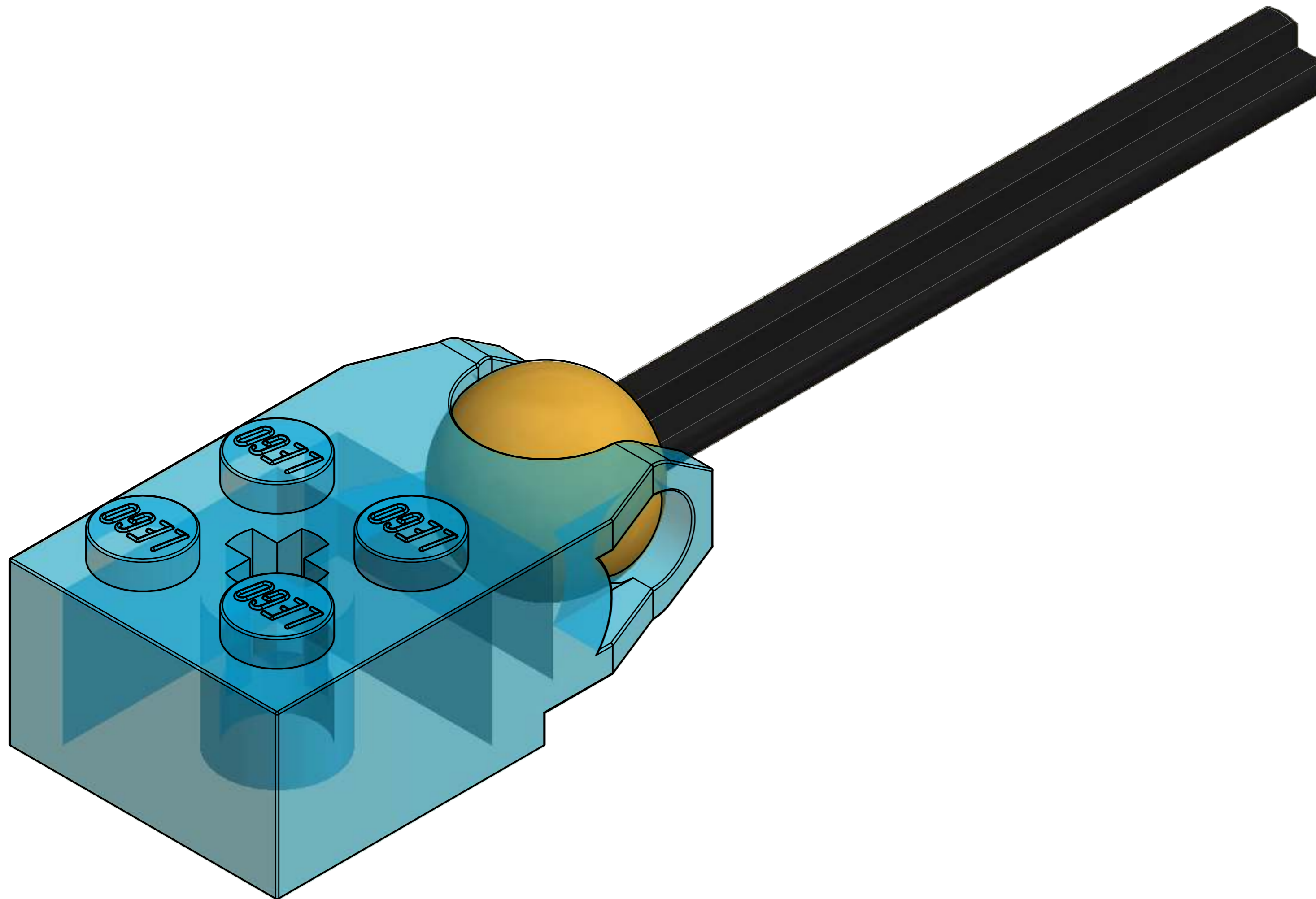
1x



1x

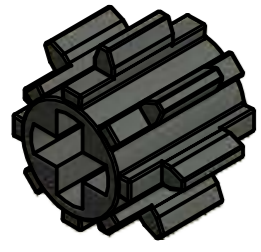


1x

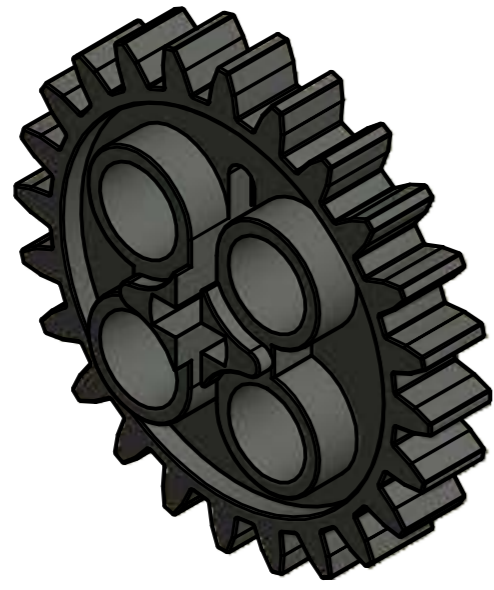


42





1x



1x

