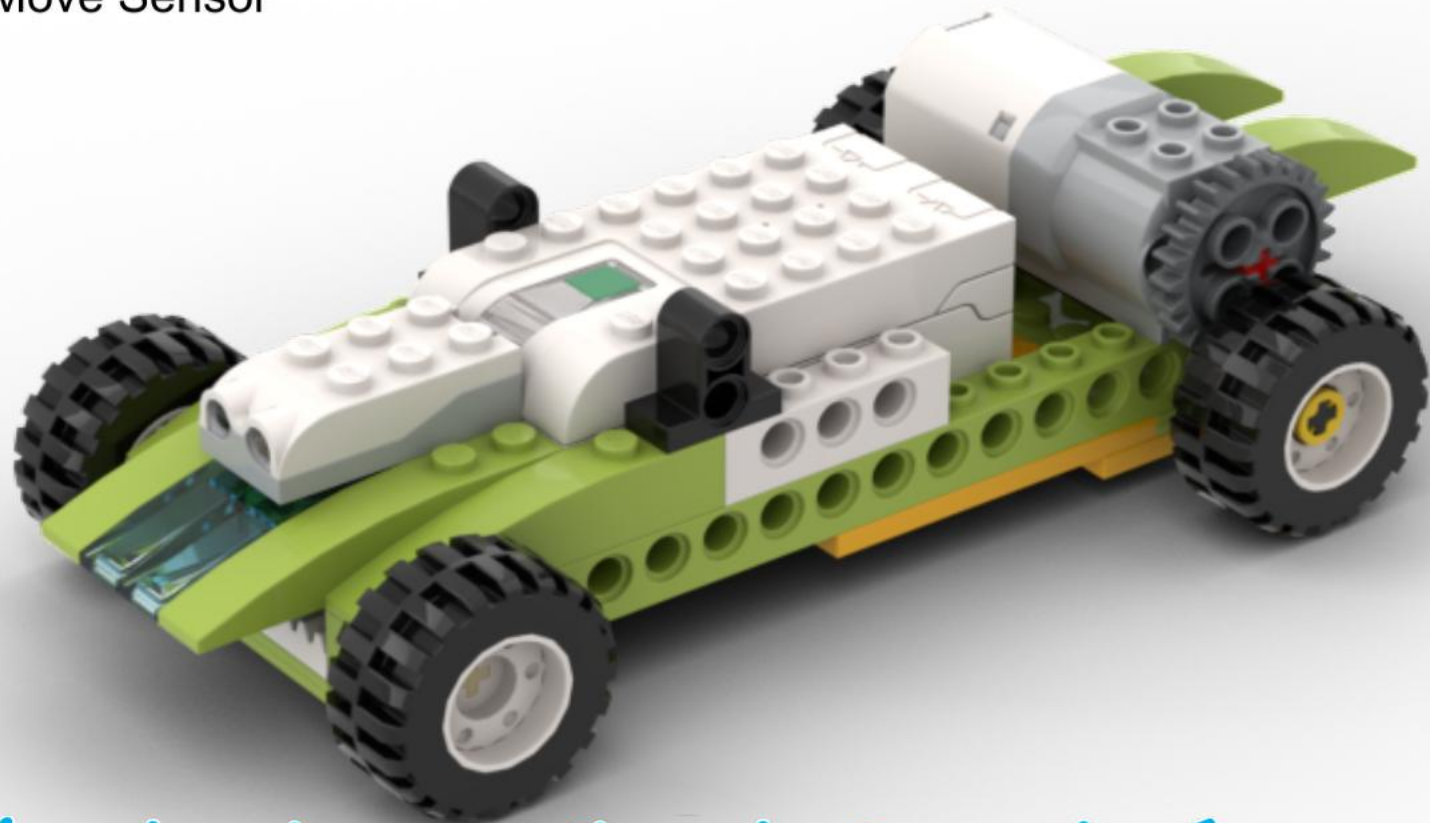


Basic Race Car

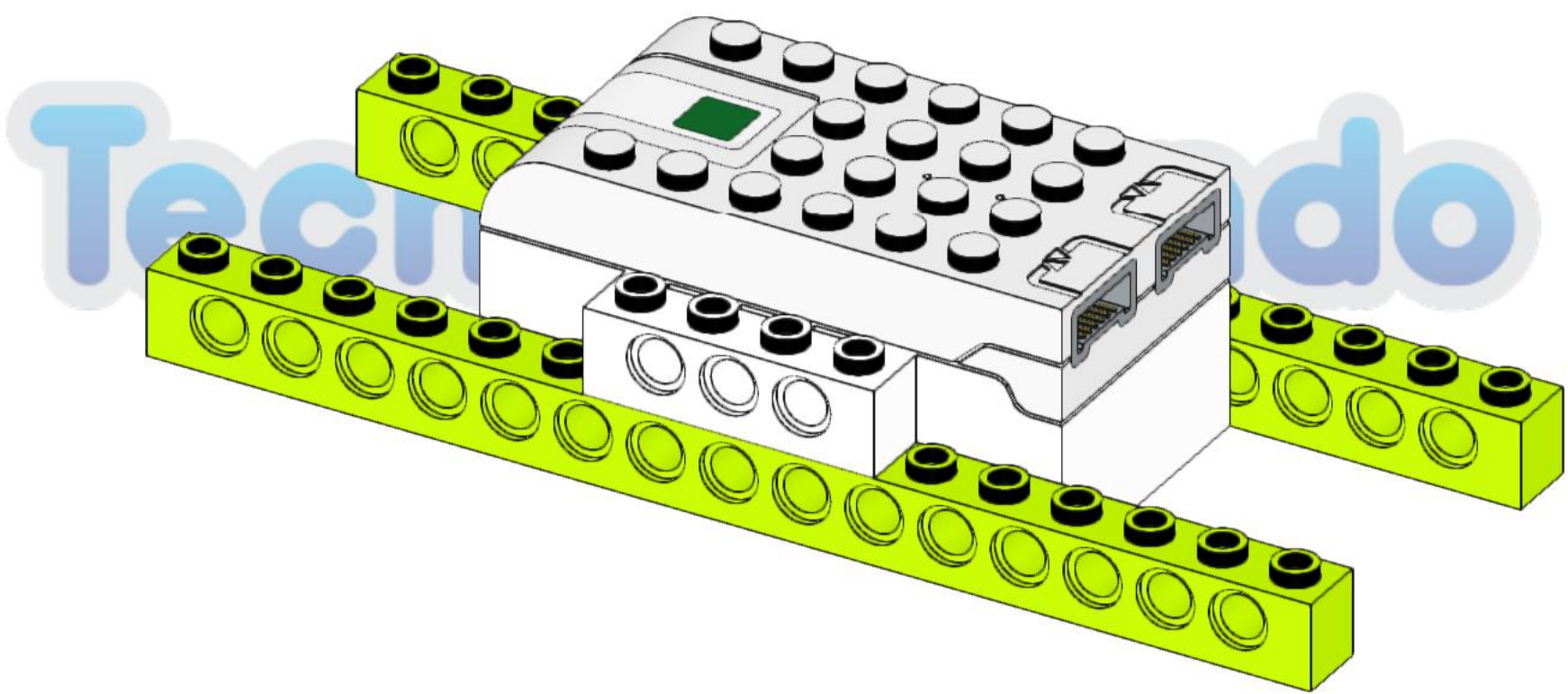
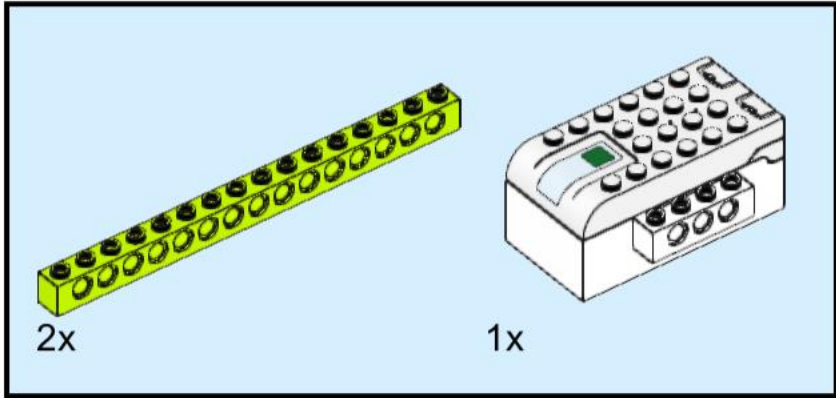
Learning Move Sensor



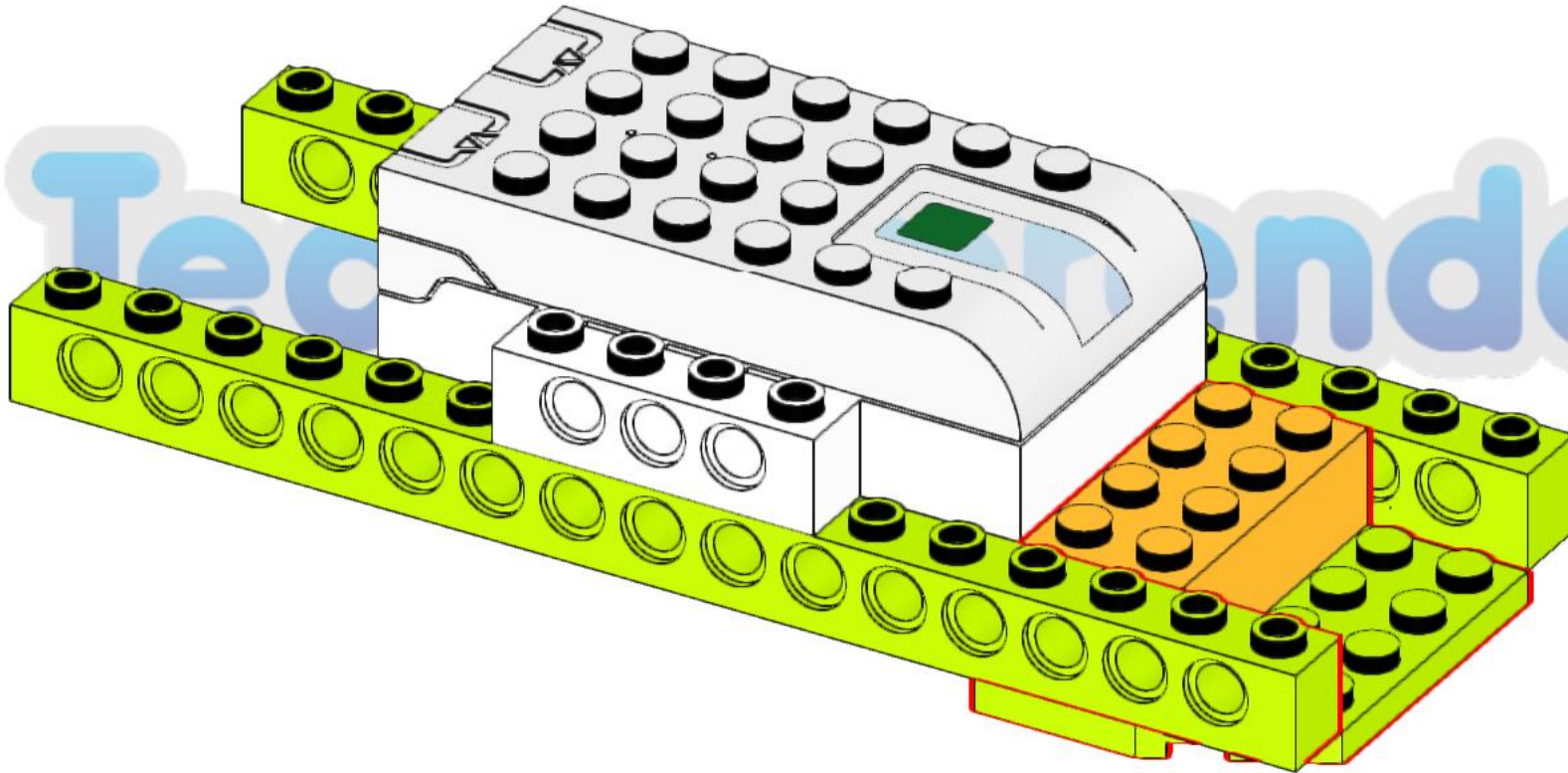
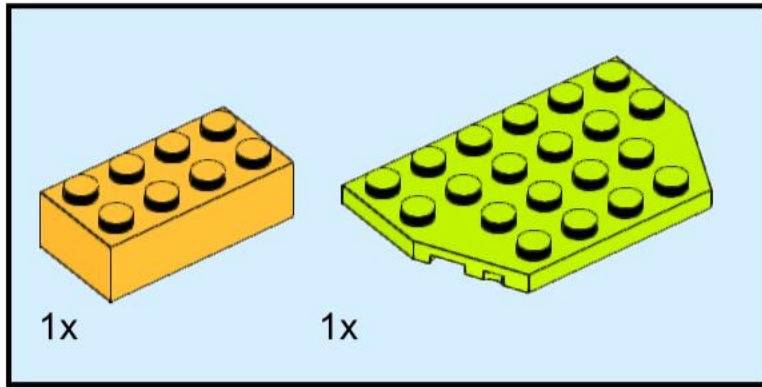
Academia creativa de tecnología

Tecnoaprendo

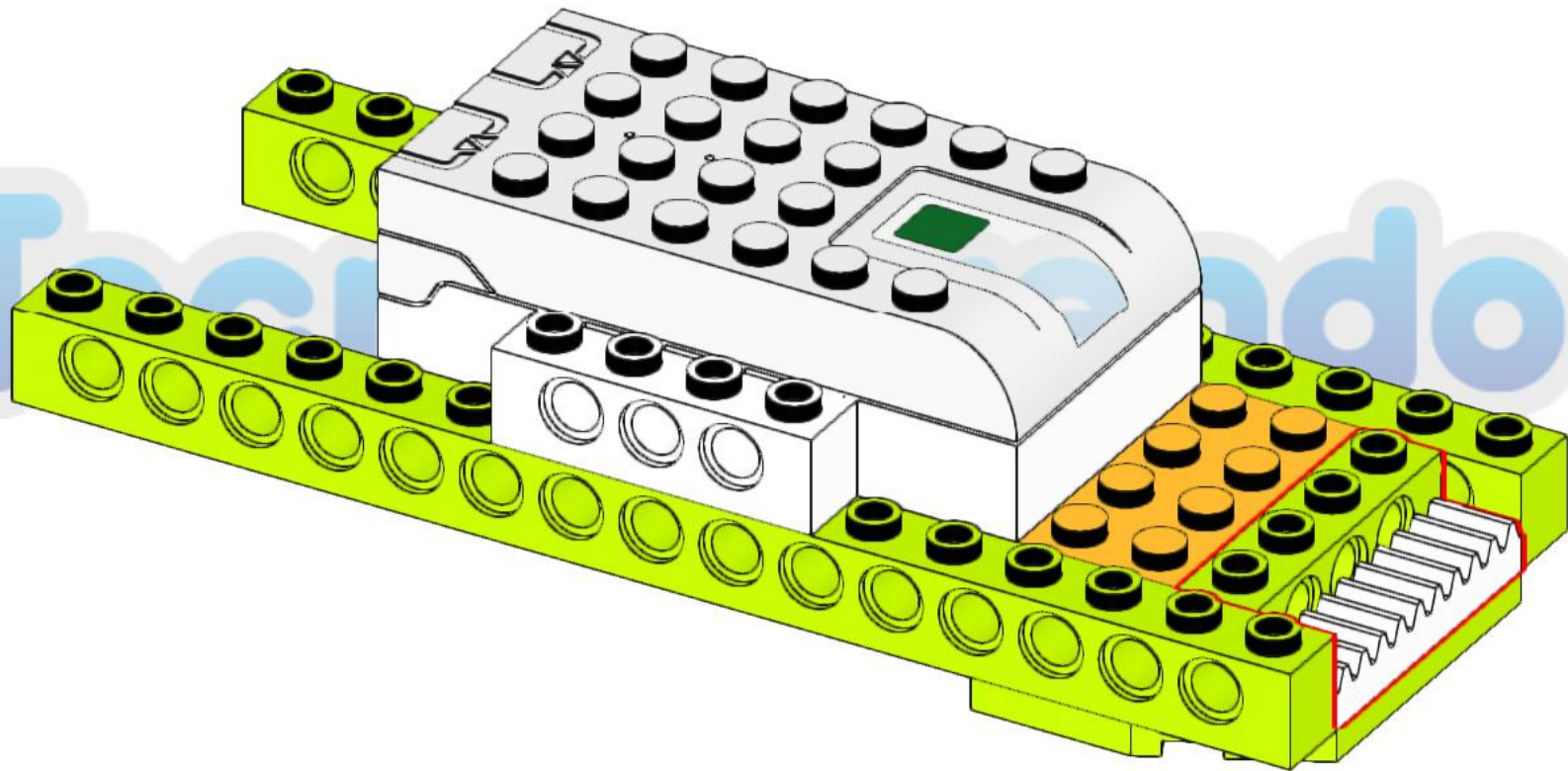
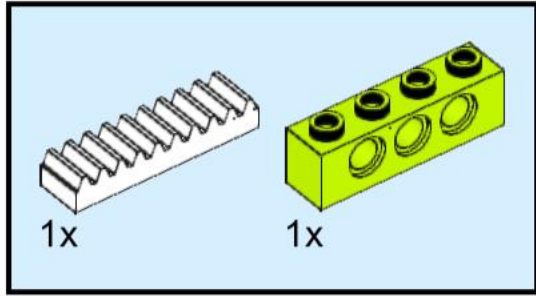
1



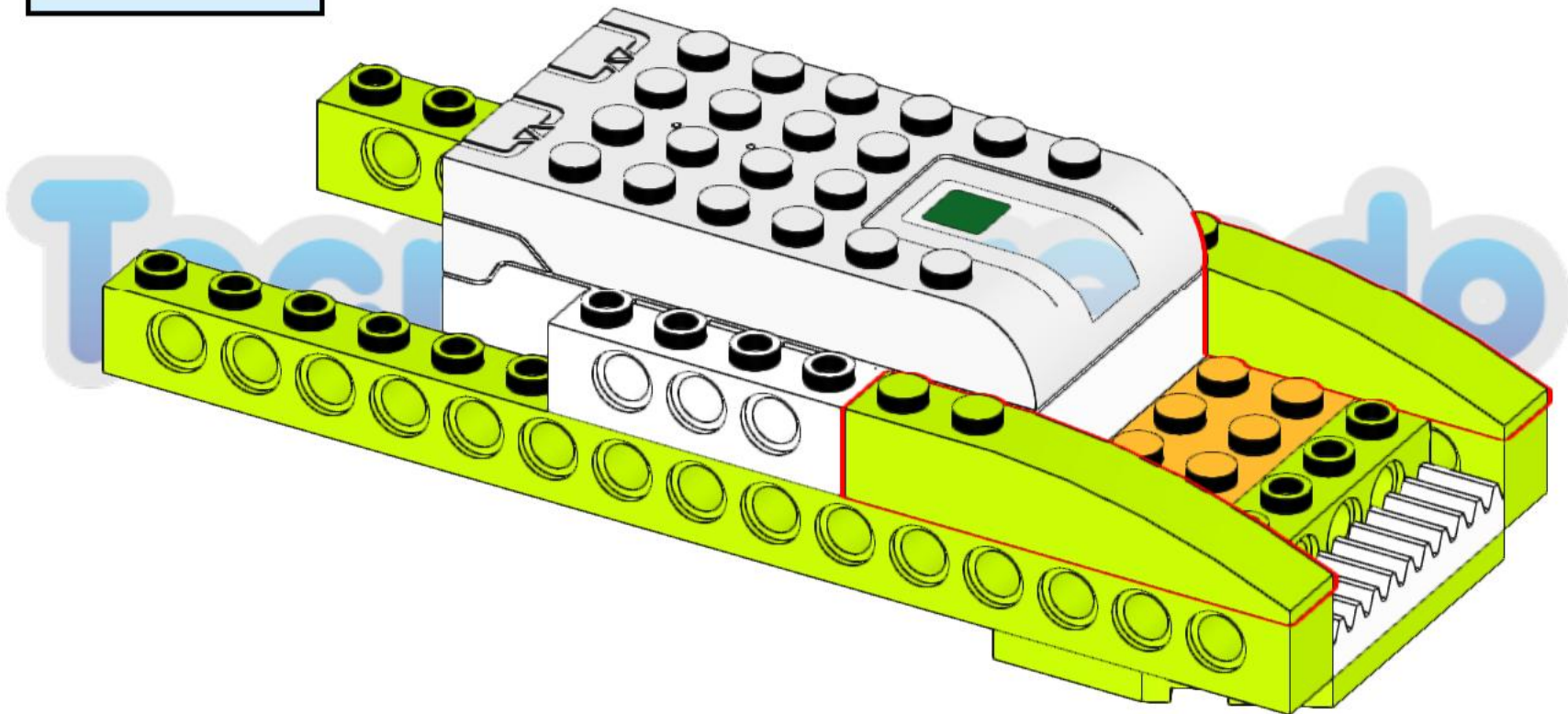
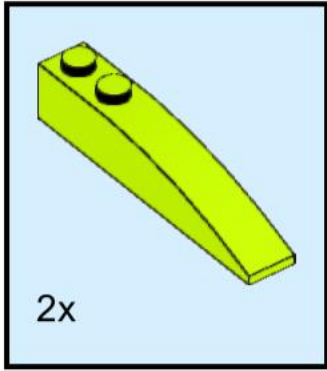
2



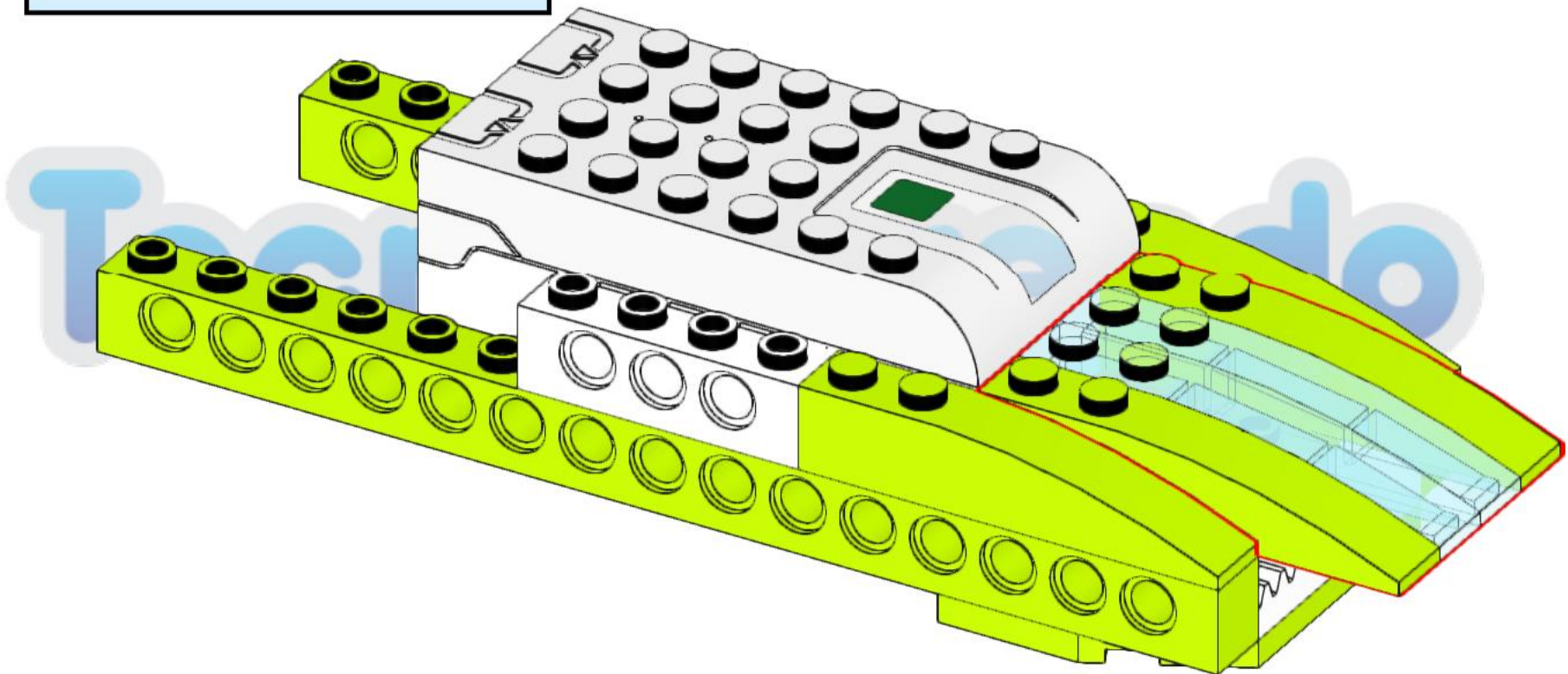
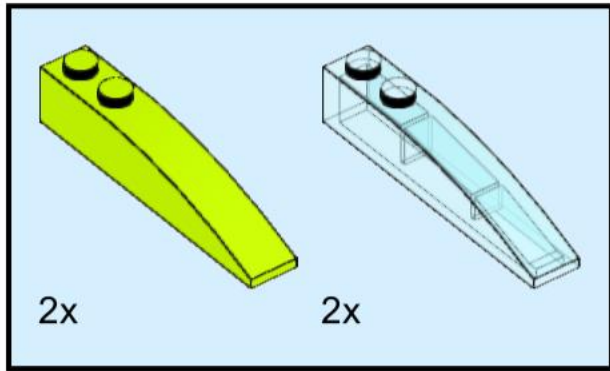
3



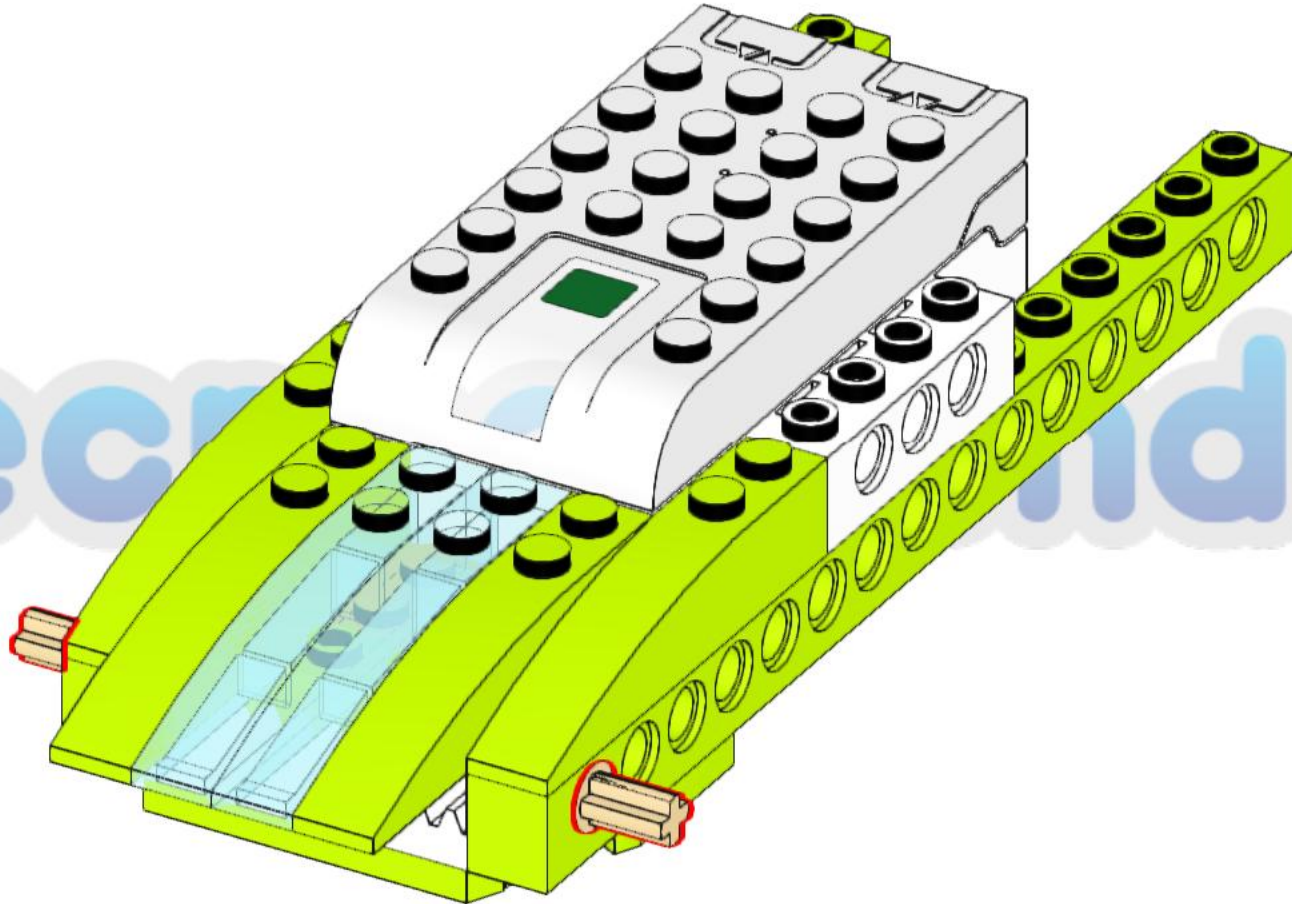
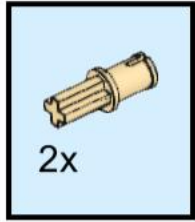
4



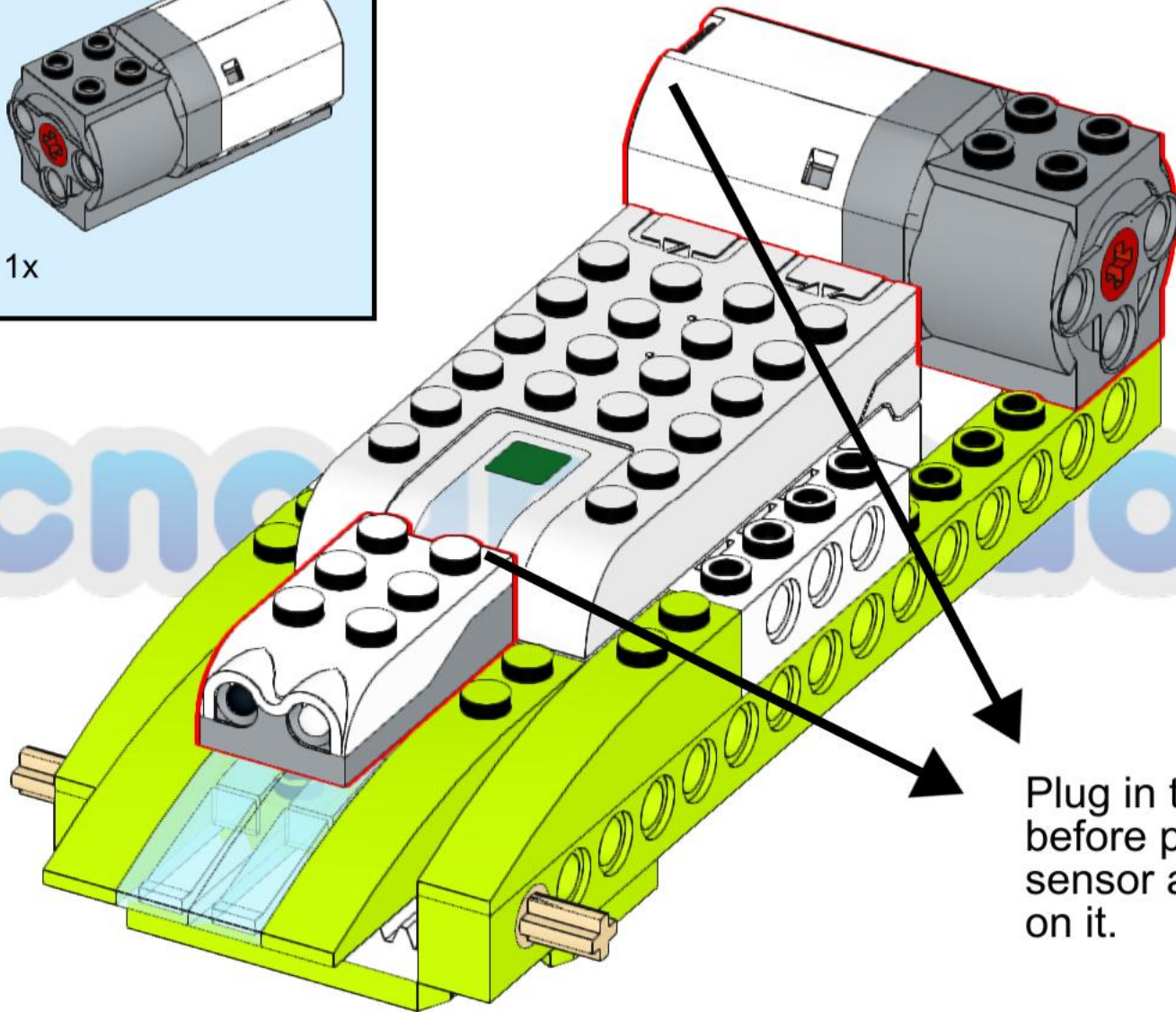
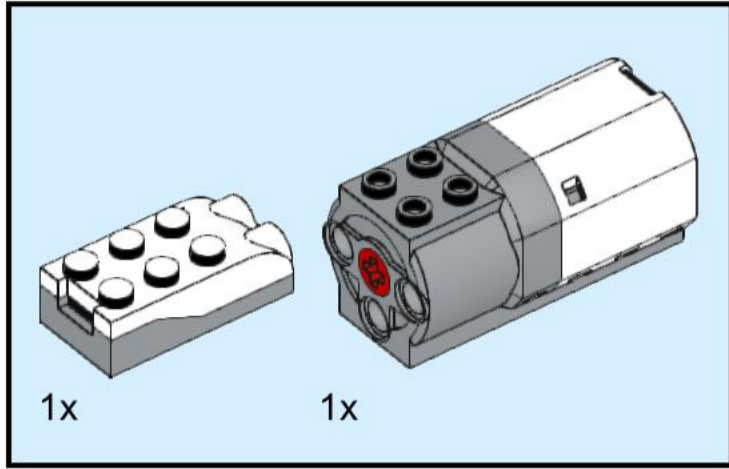
5



6

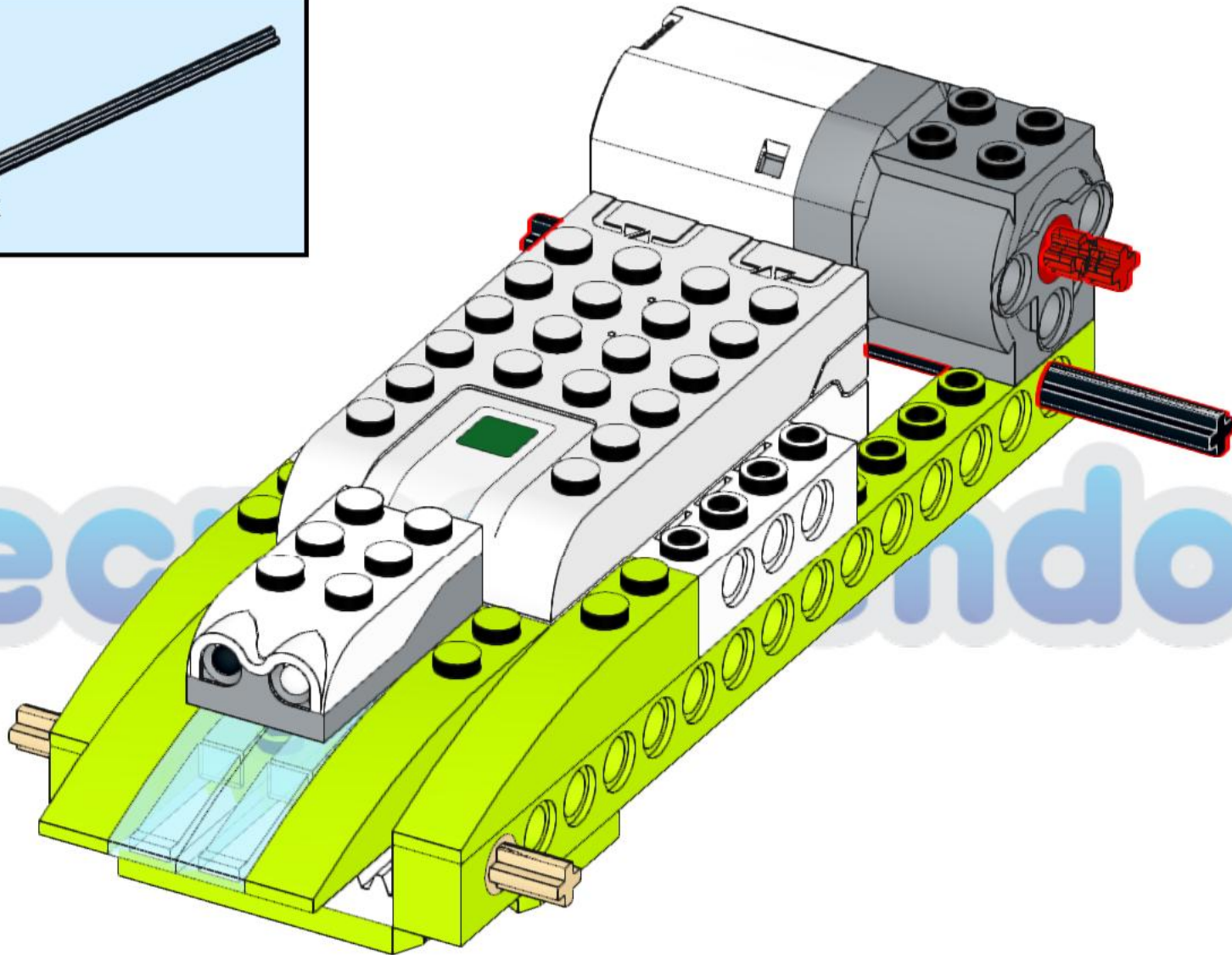
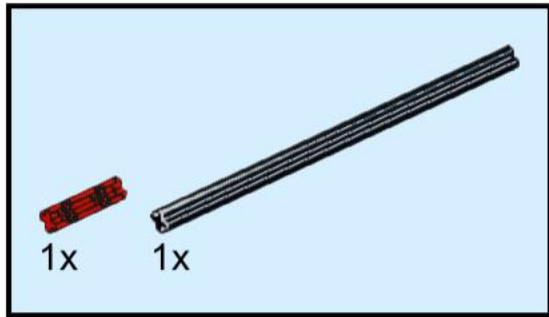


7

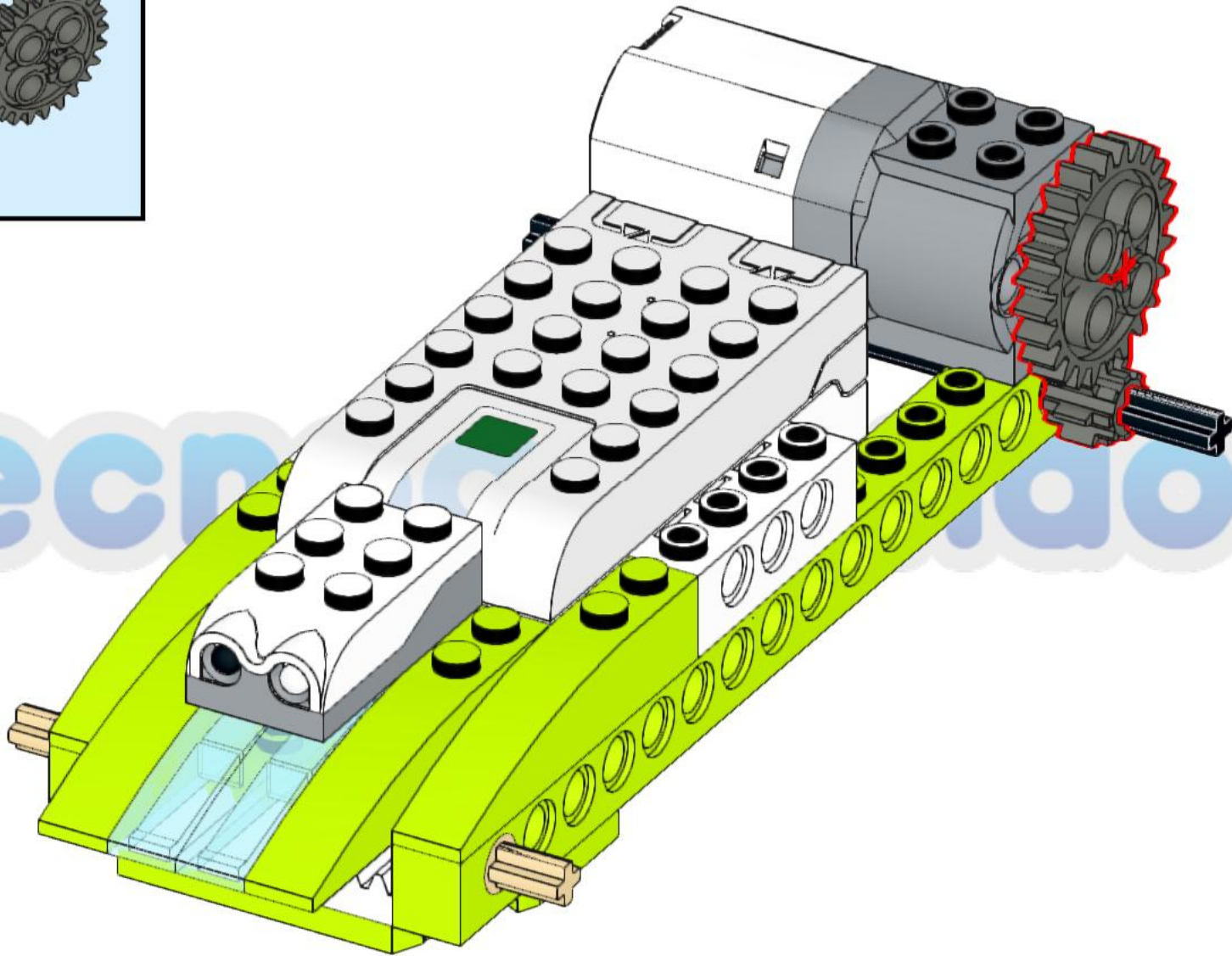
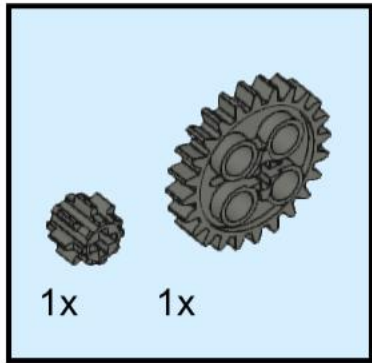


Tecn

8

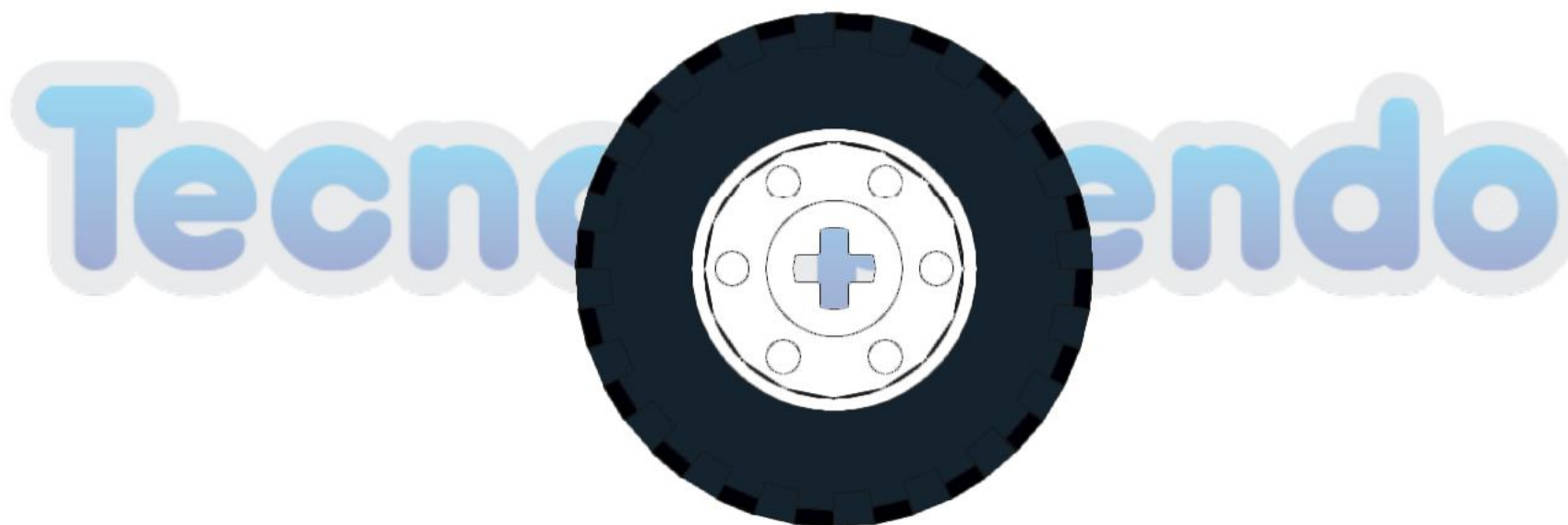
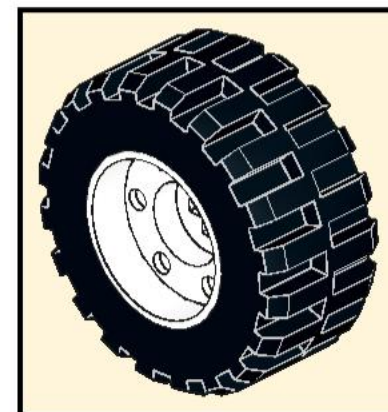
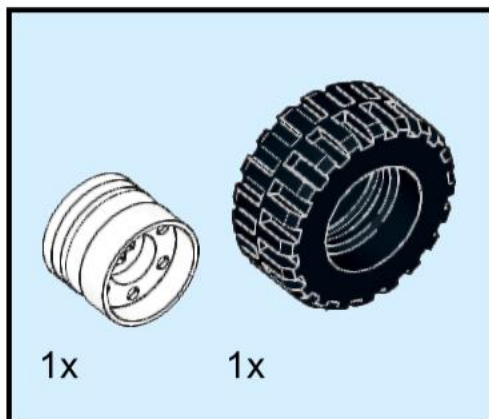


9

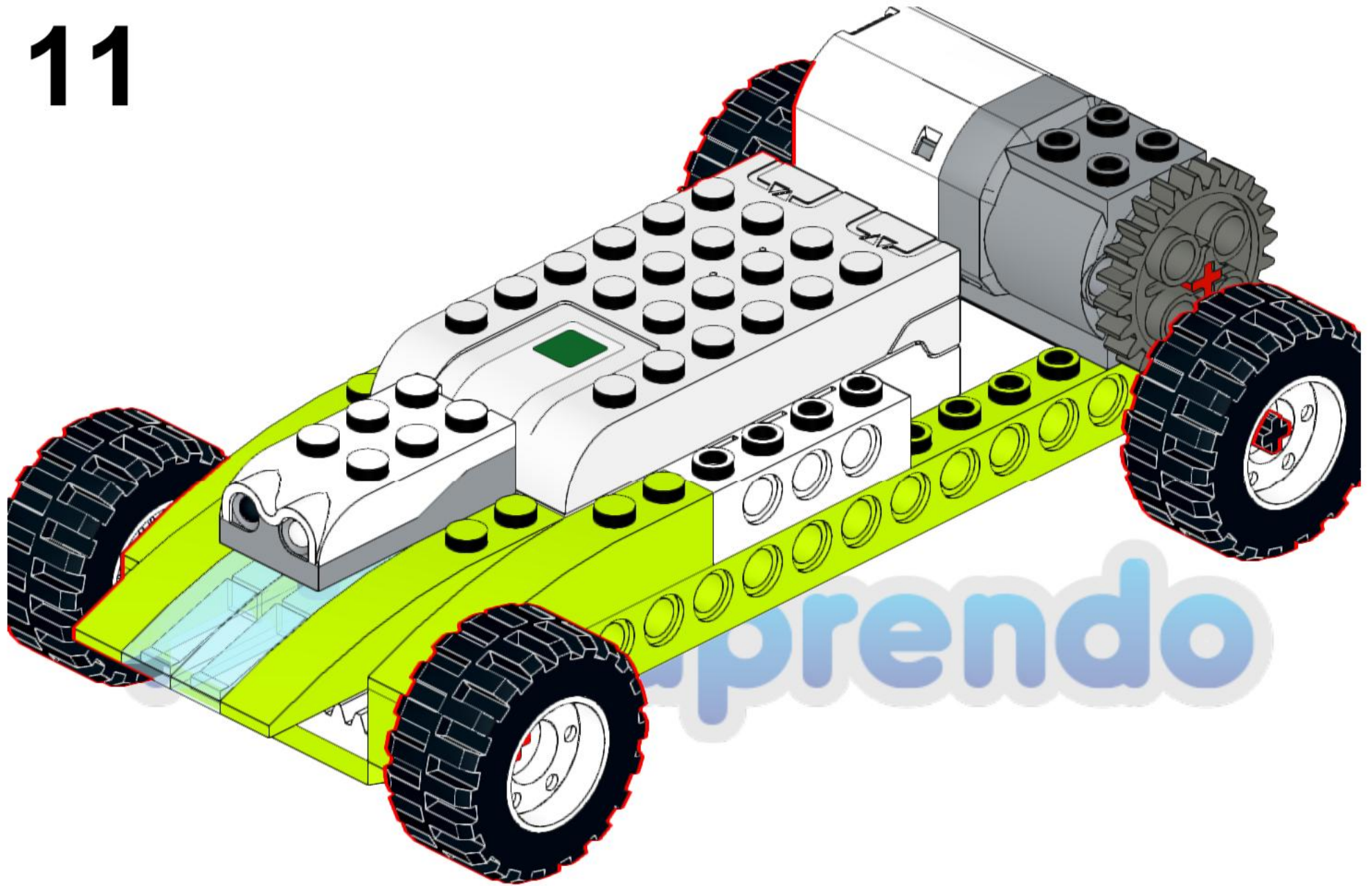


Tecno

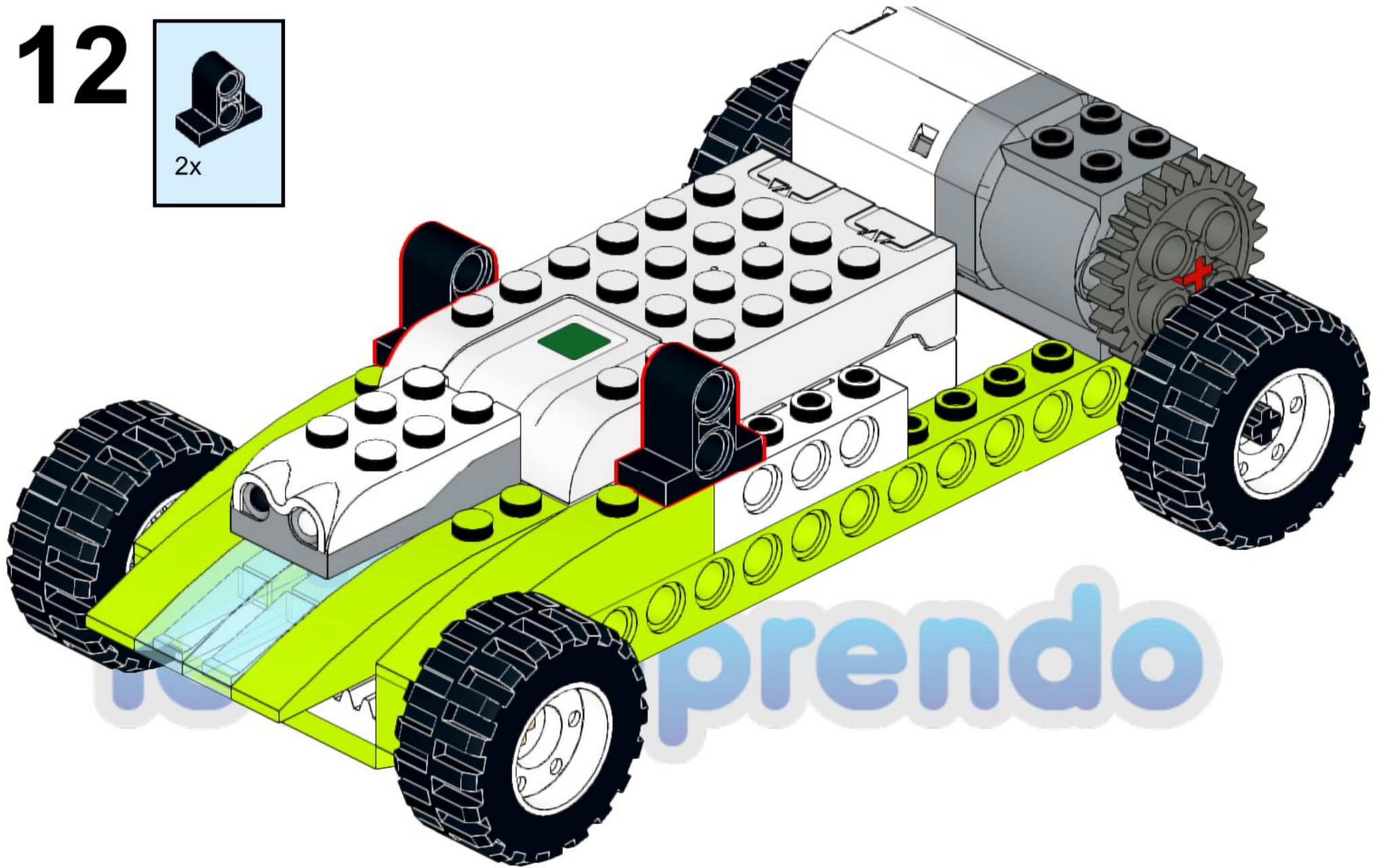
10



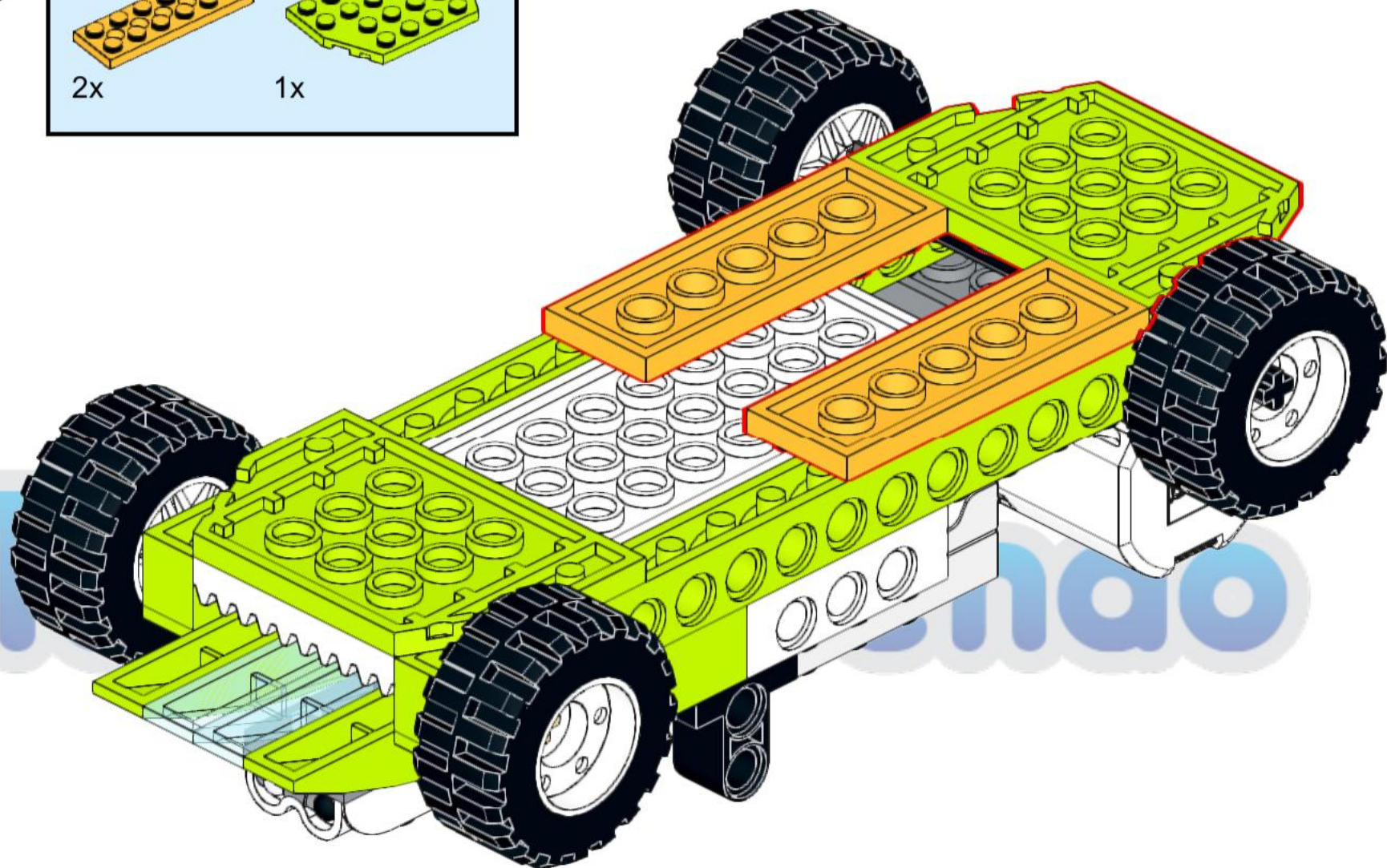
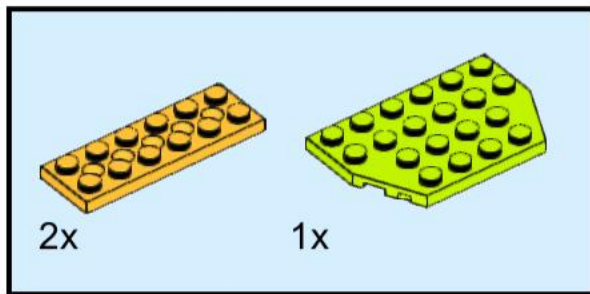
11



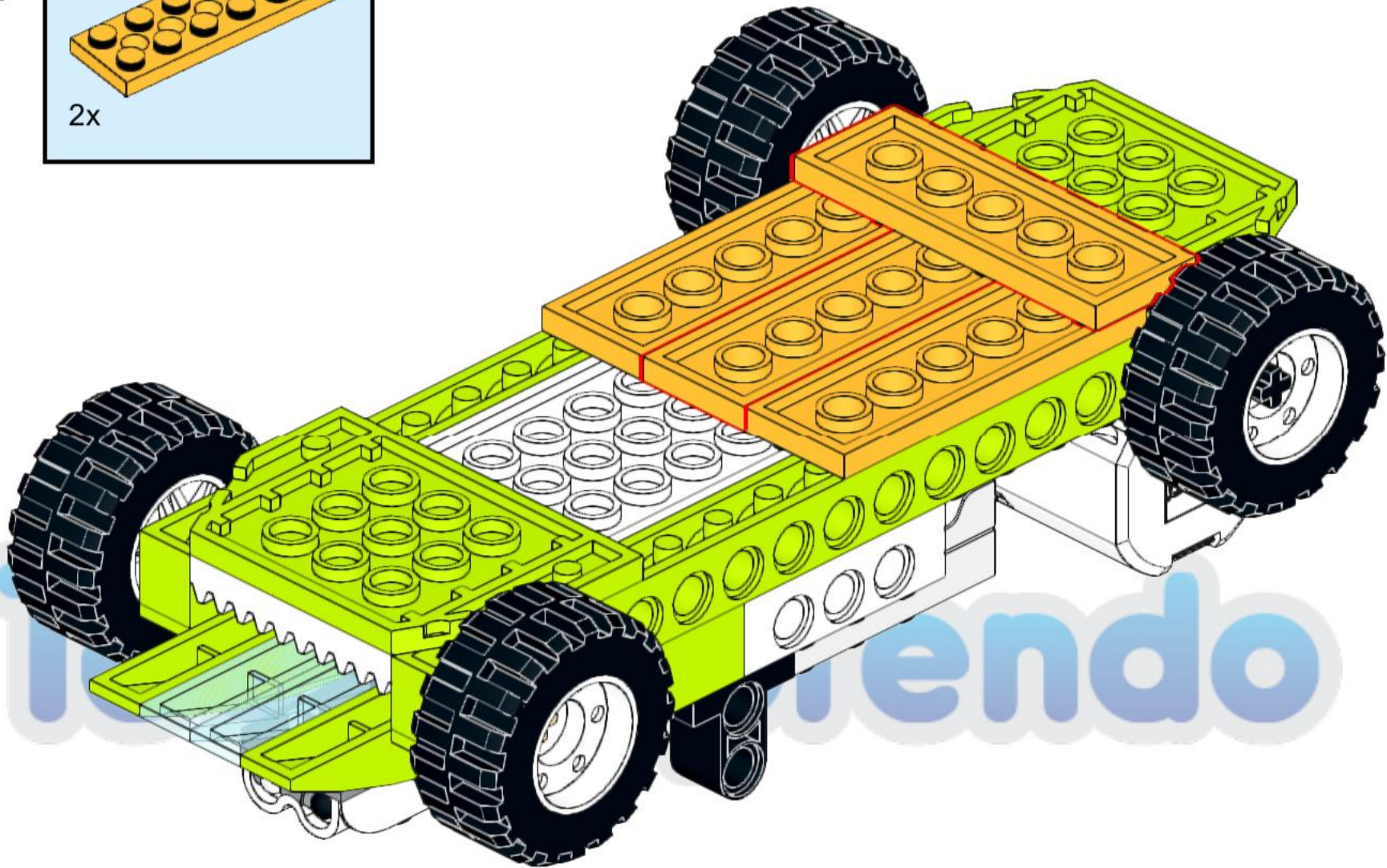
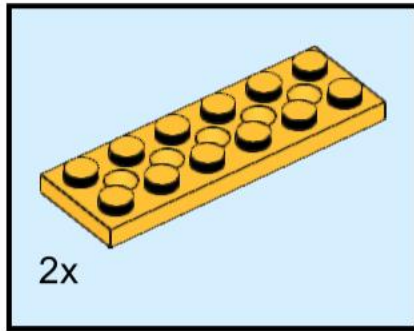
12



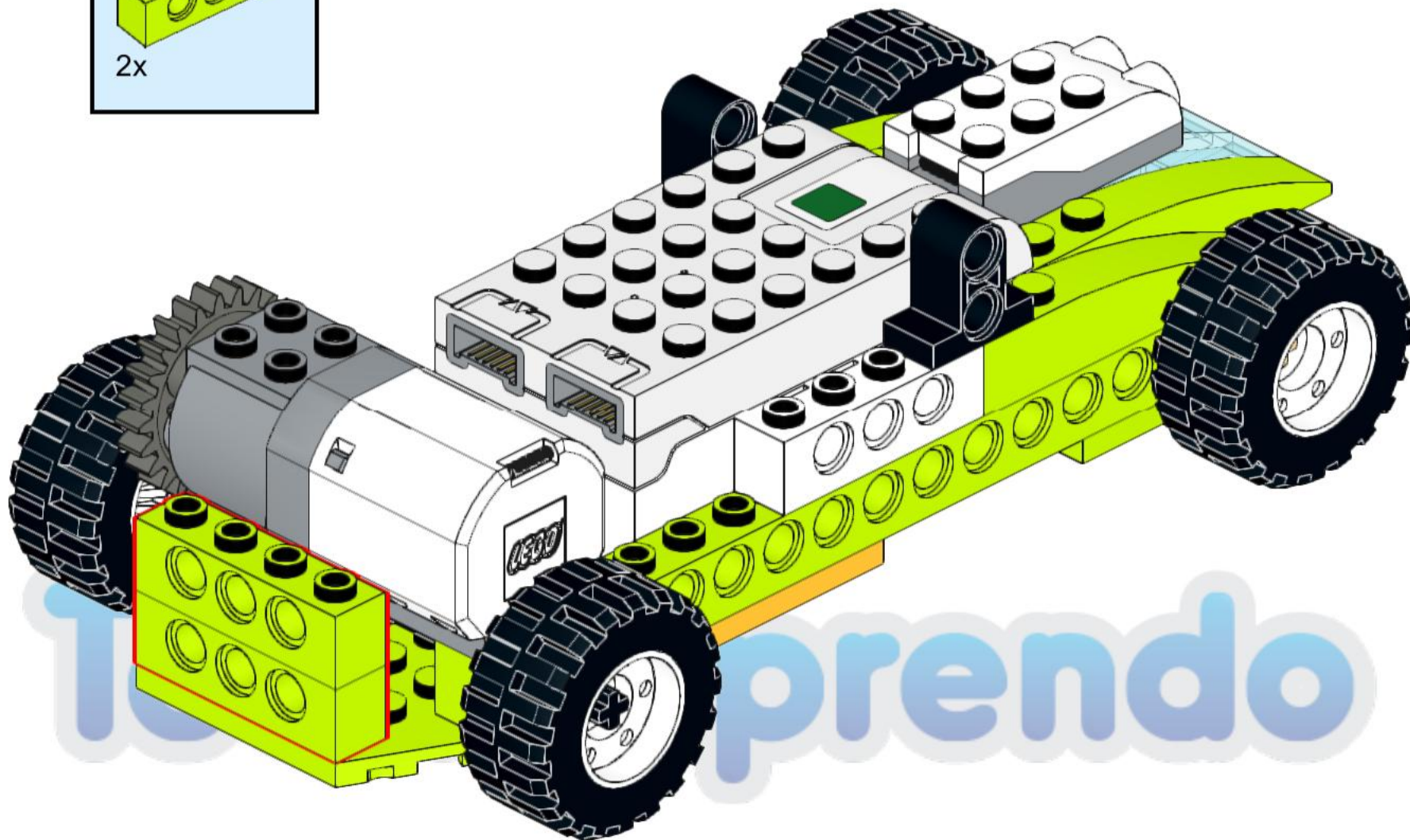
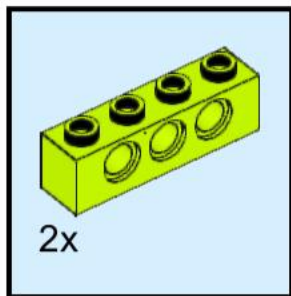
13



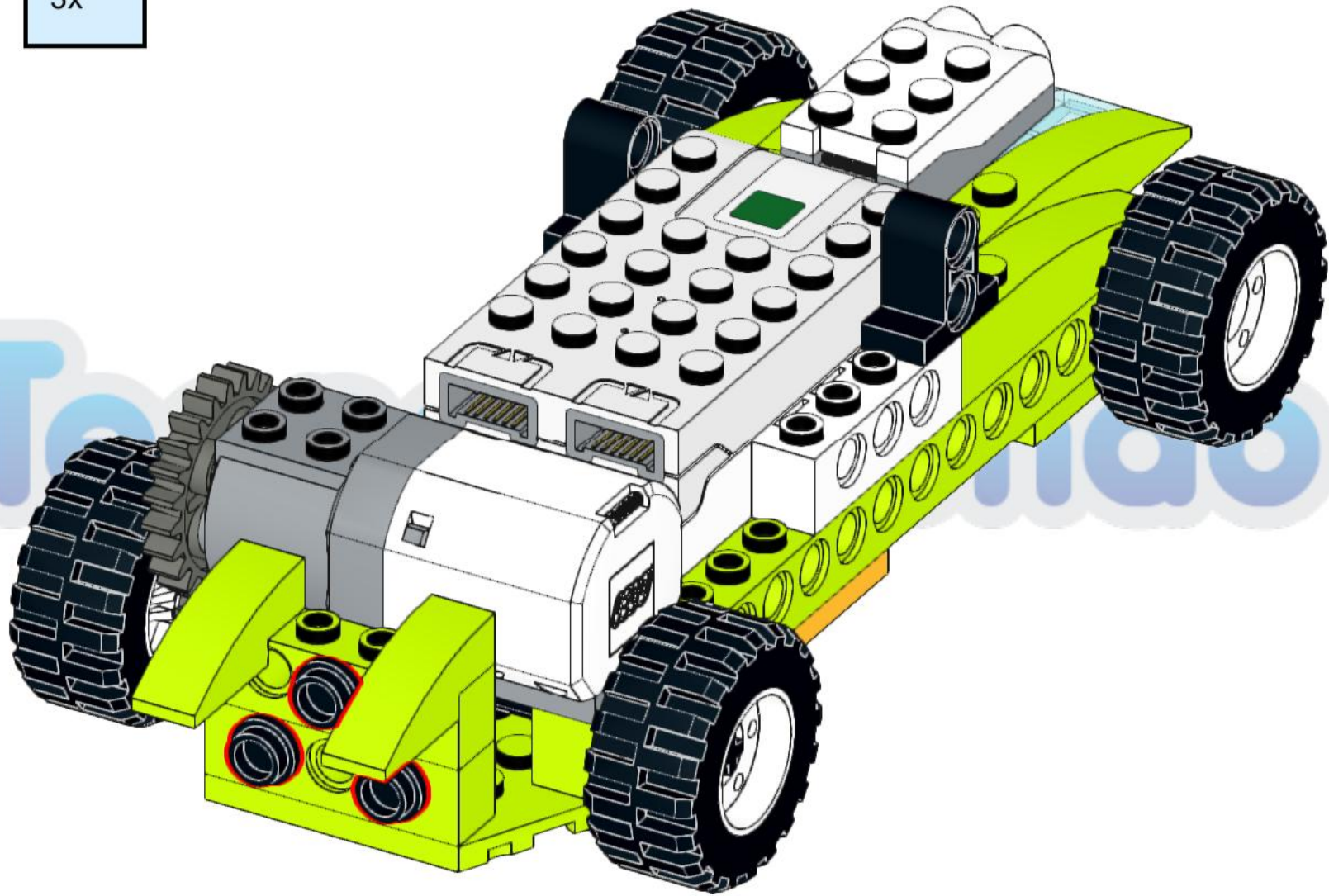
14



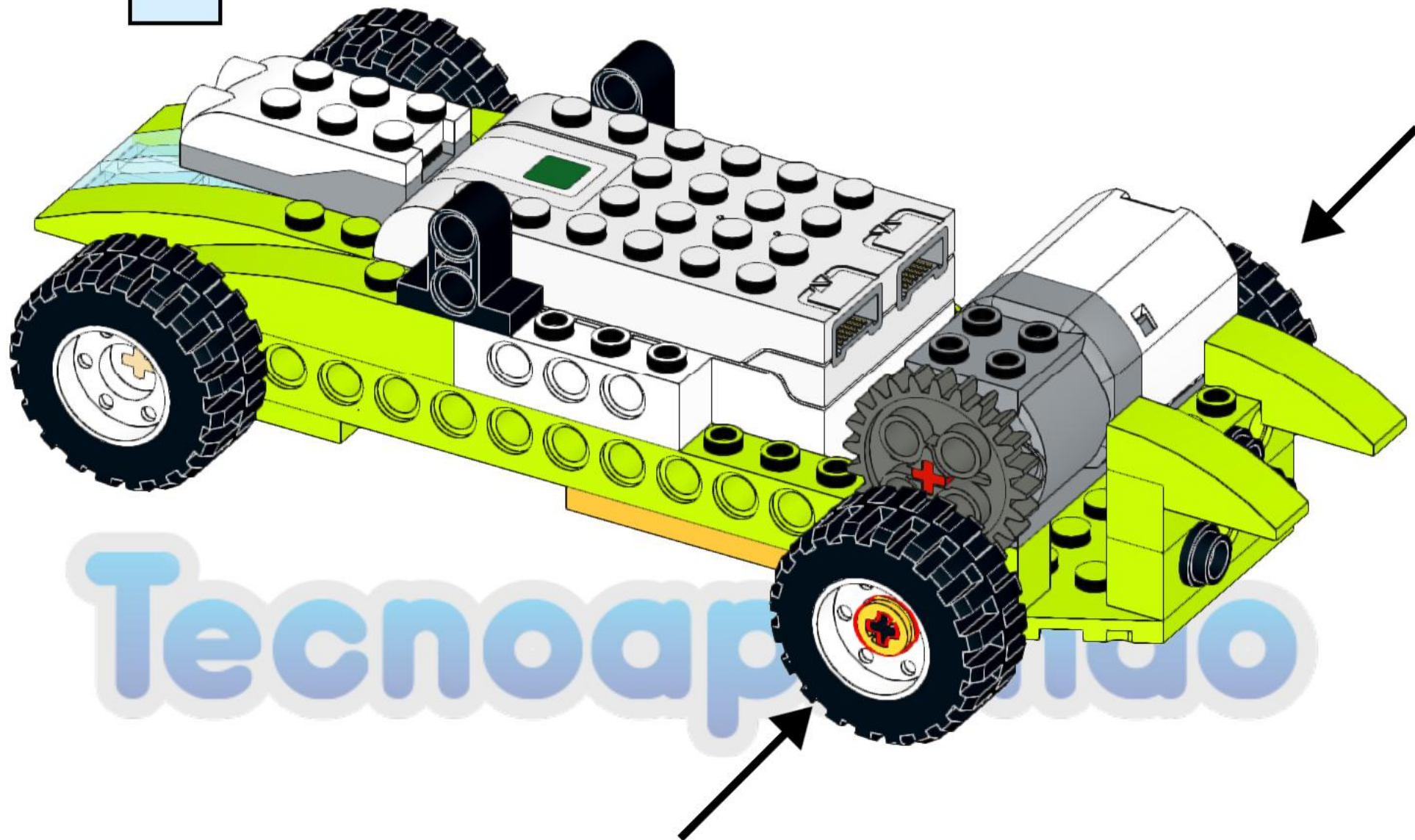
15



17



18

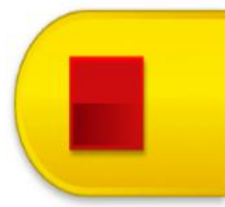




The speed of the car will be determined by the distance detected by the sensor



Tecnoaprendo



3x
4073, 11



2x
32530, 11



4x
92402, 11



1x
3737, 11



1x
10928, 85



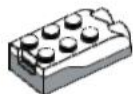
1x
3648, 85



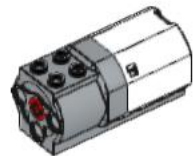
4x
55982, 1



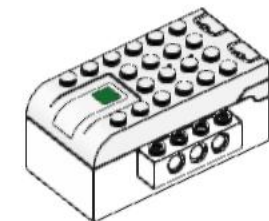
1x
3743, 1



1x
20844, 1



1x
21980, 1



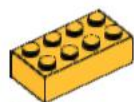
1x
19071c01, 1



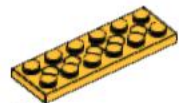
1x
32062, 5



2x
3749, 2



1x
3001, 110



4x
32001, 110



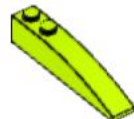
2x
4265c, 3



2x
50950, 34



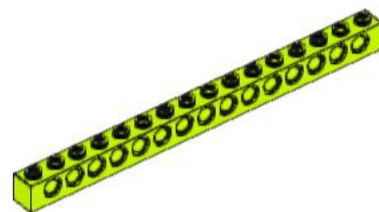
3x
3701, 34



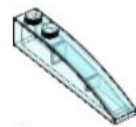
4x
42022, 34



2x
32059, 34



2x
3703, 34



2x
42022, 15





Academia creativa de tecnología

Tecnoaprendo