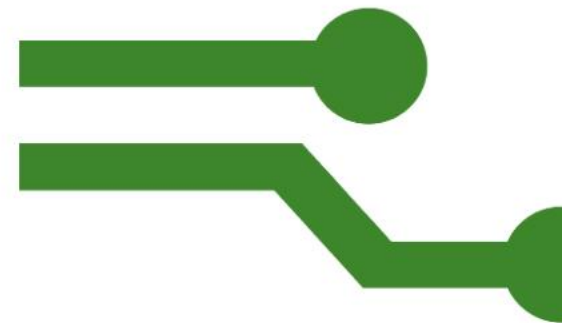
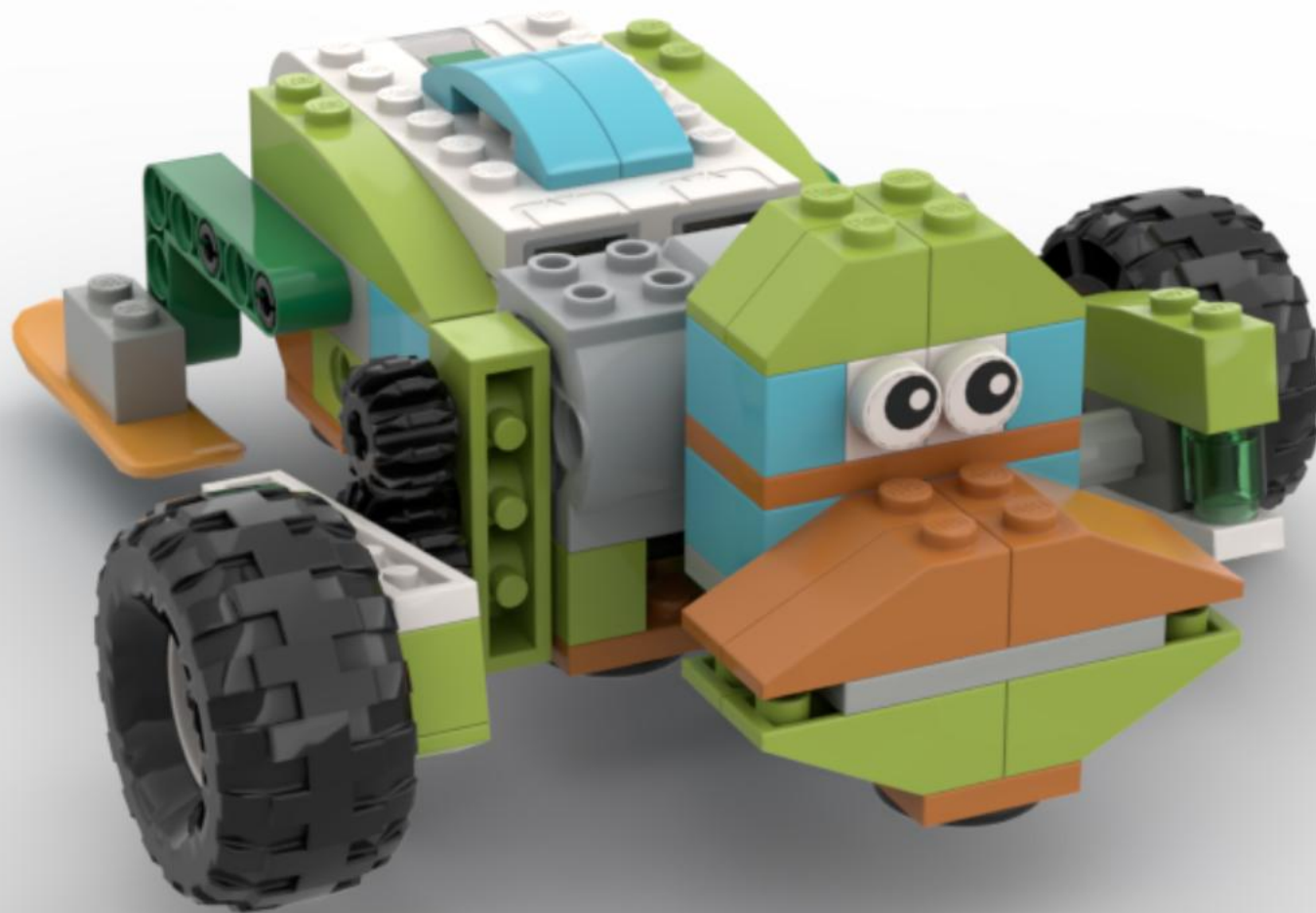




# GORILLA

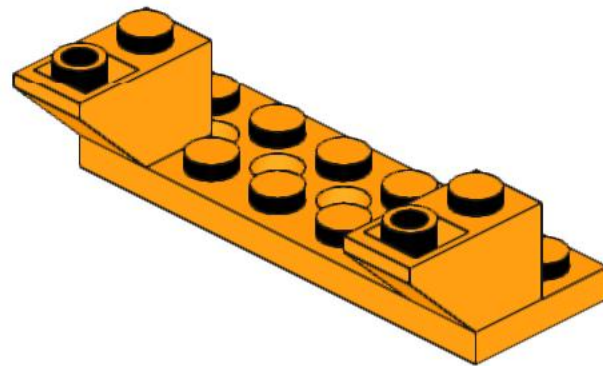
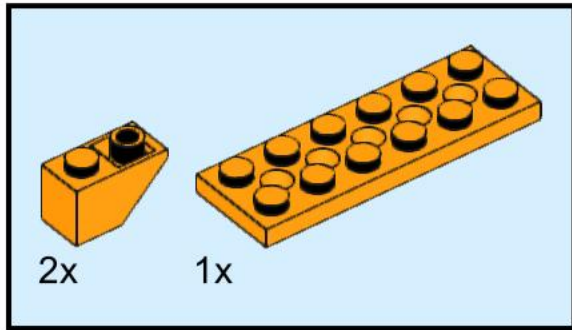
Building instruction  
for kit Lego Wedo 2.0



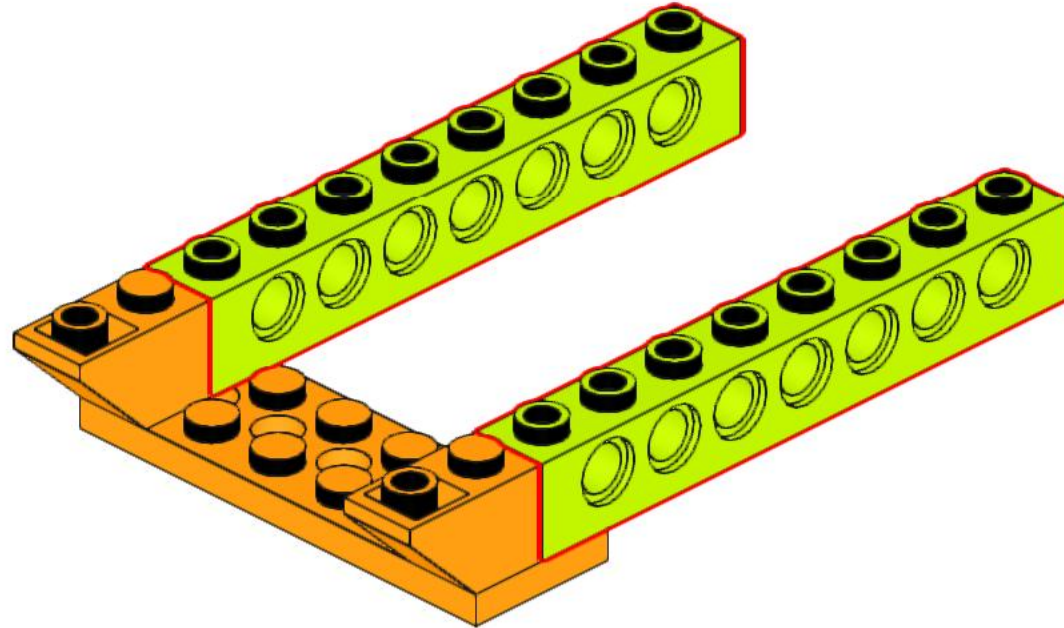
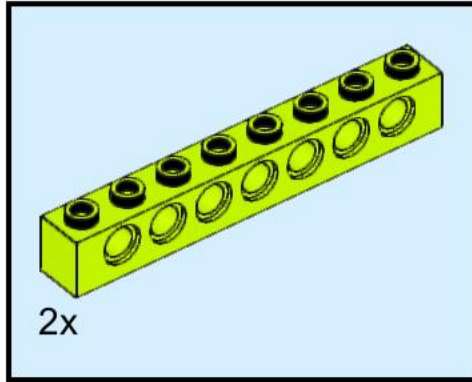


[roboinstruction.com](http://roboinstruction.com)

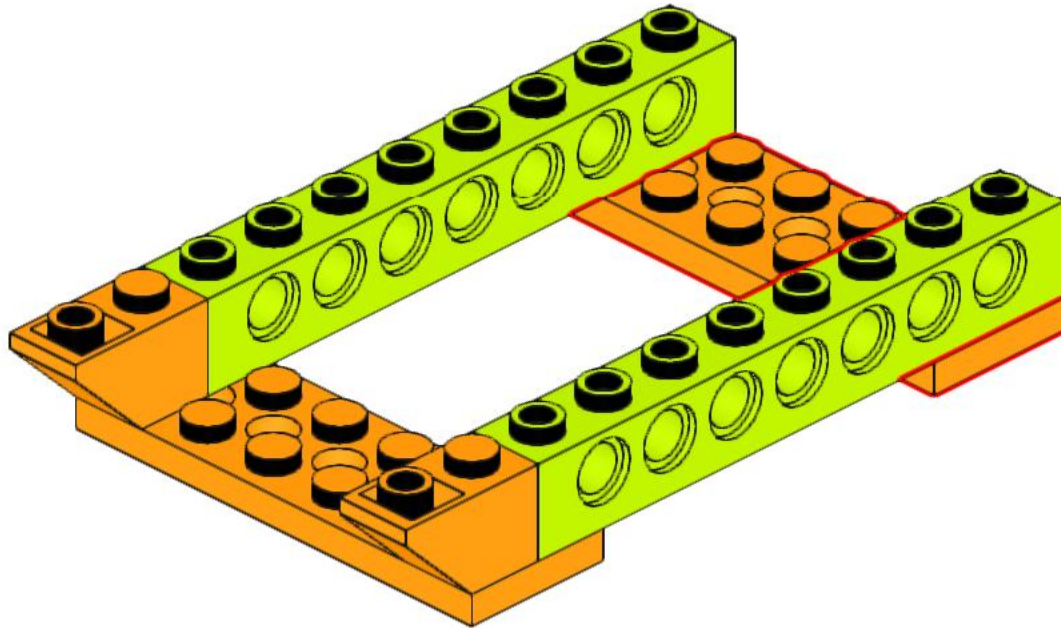
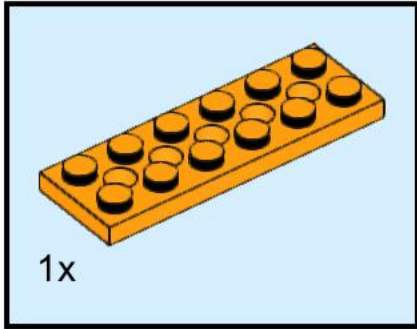
1



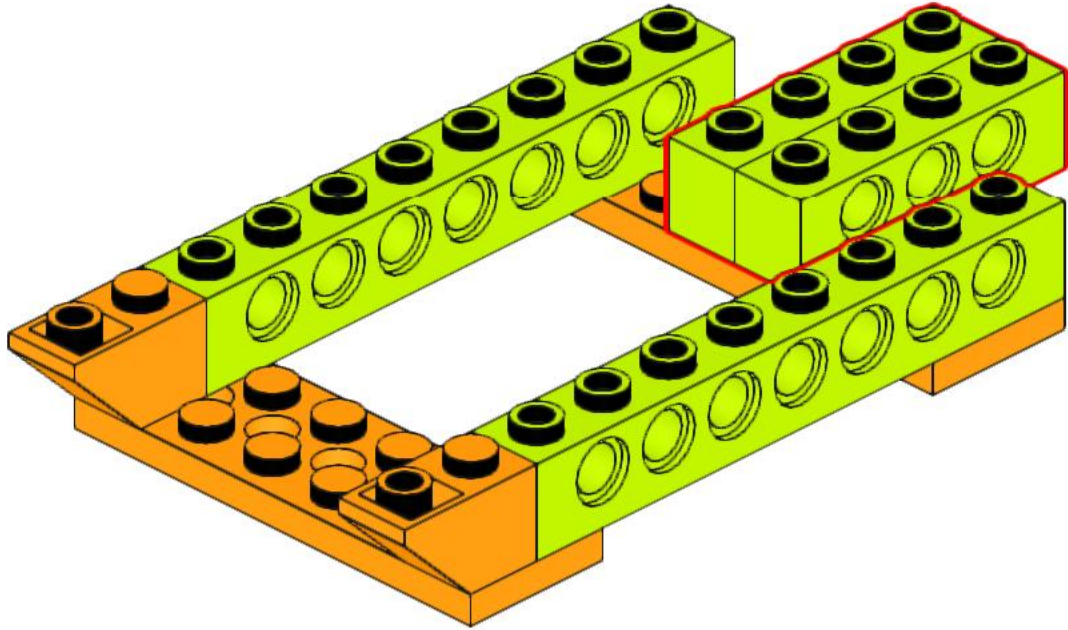
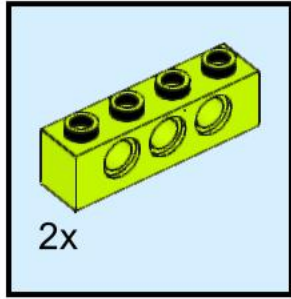
2



3

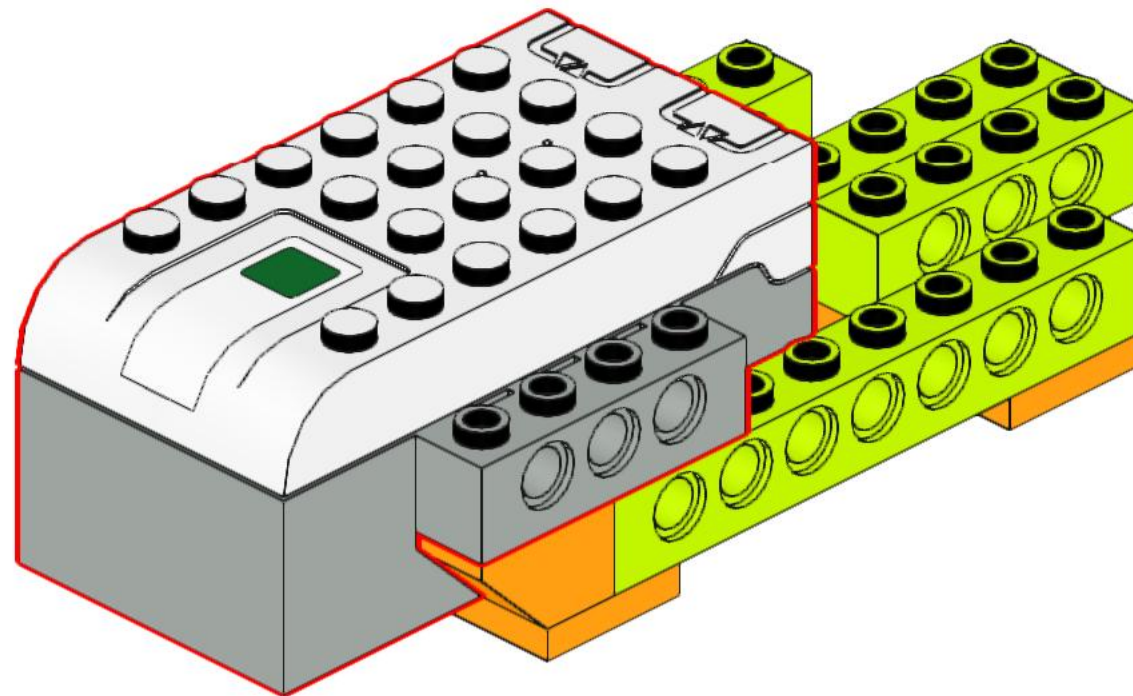
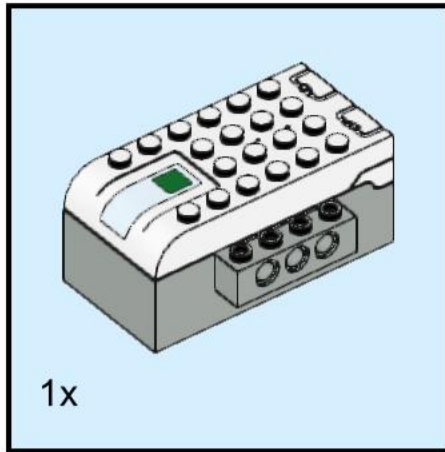


4

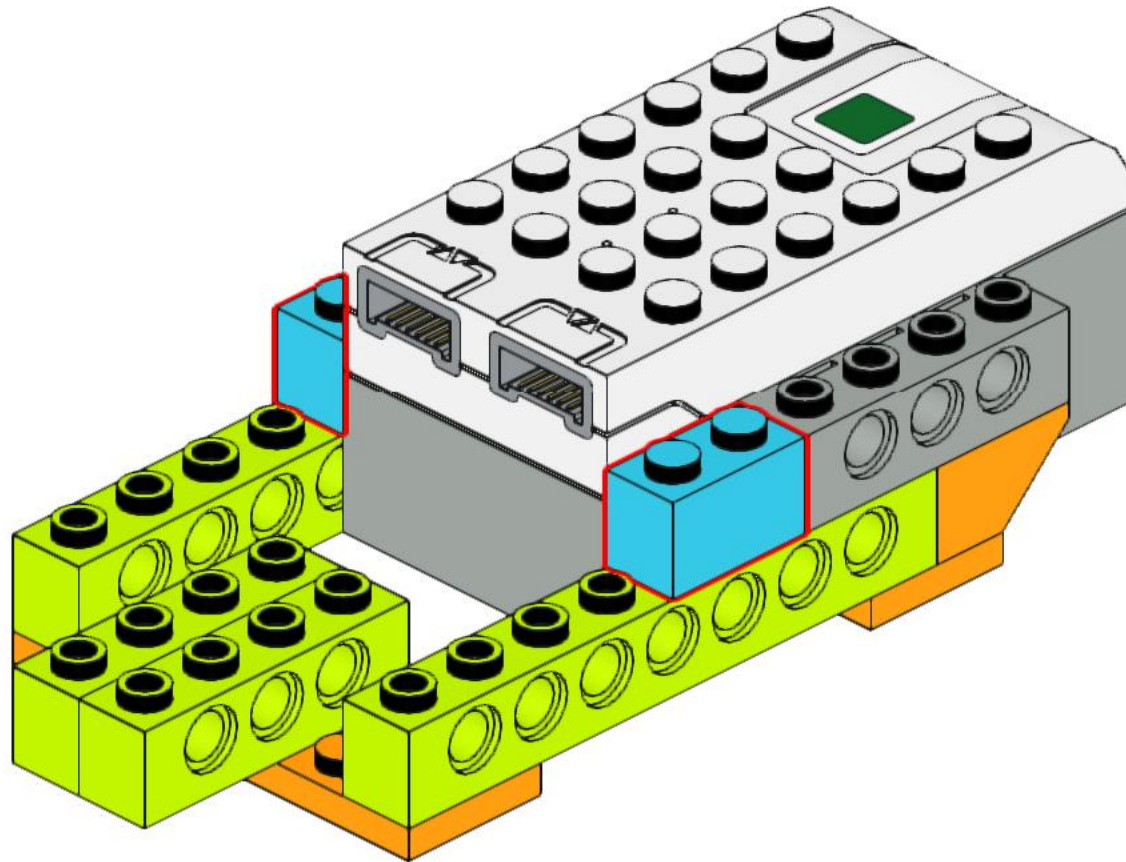
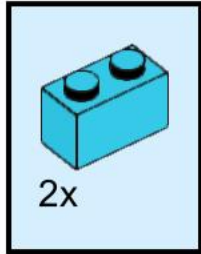




5

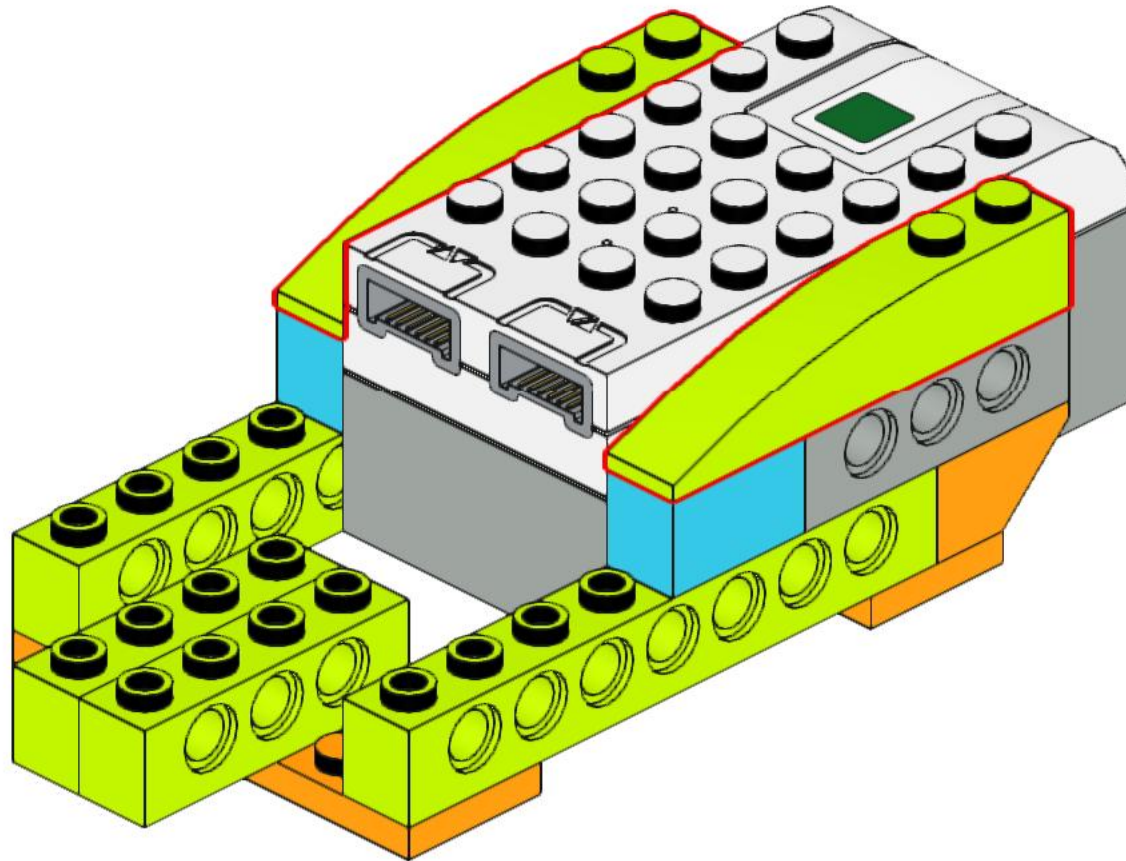
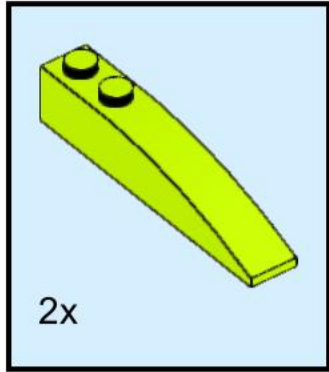


6

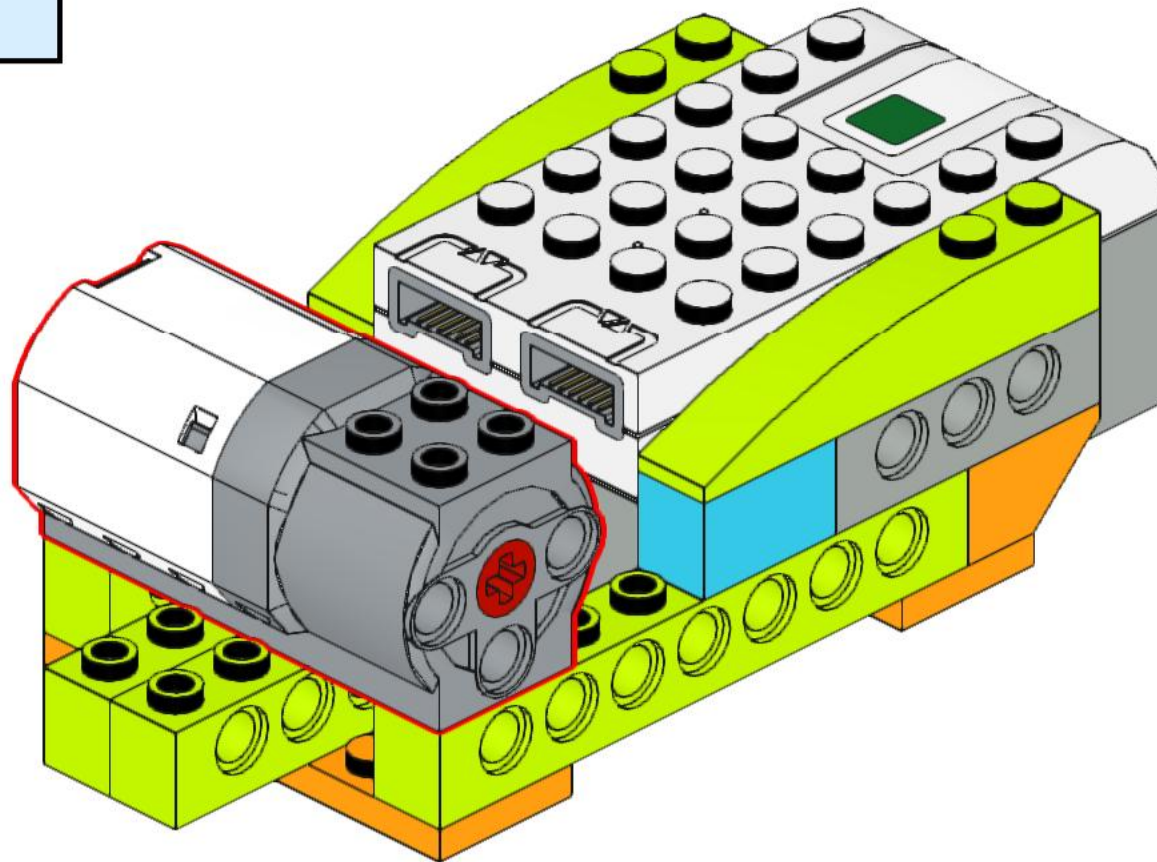
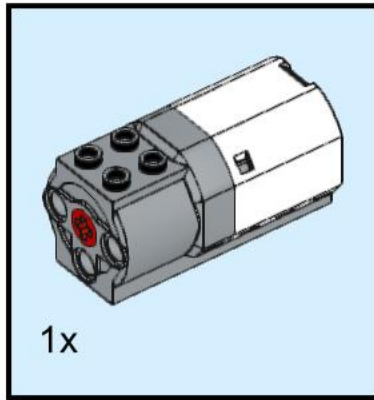




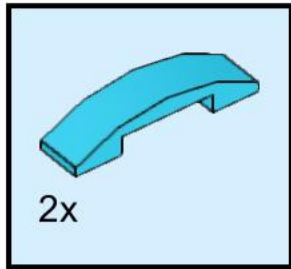
7



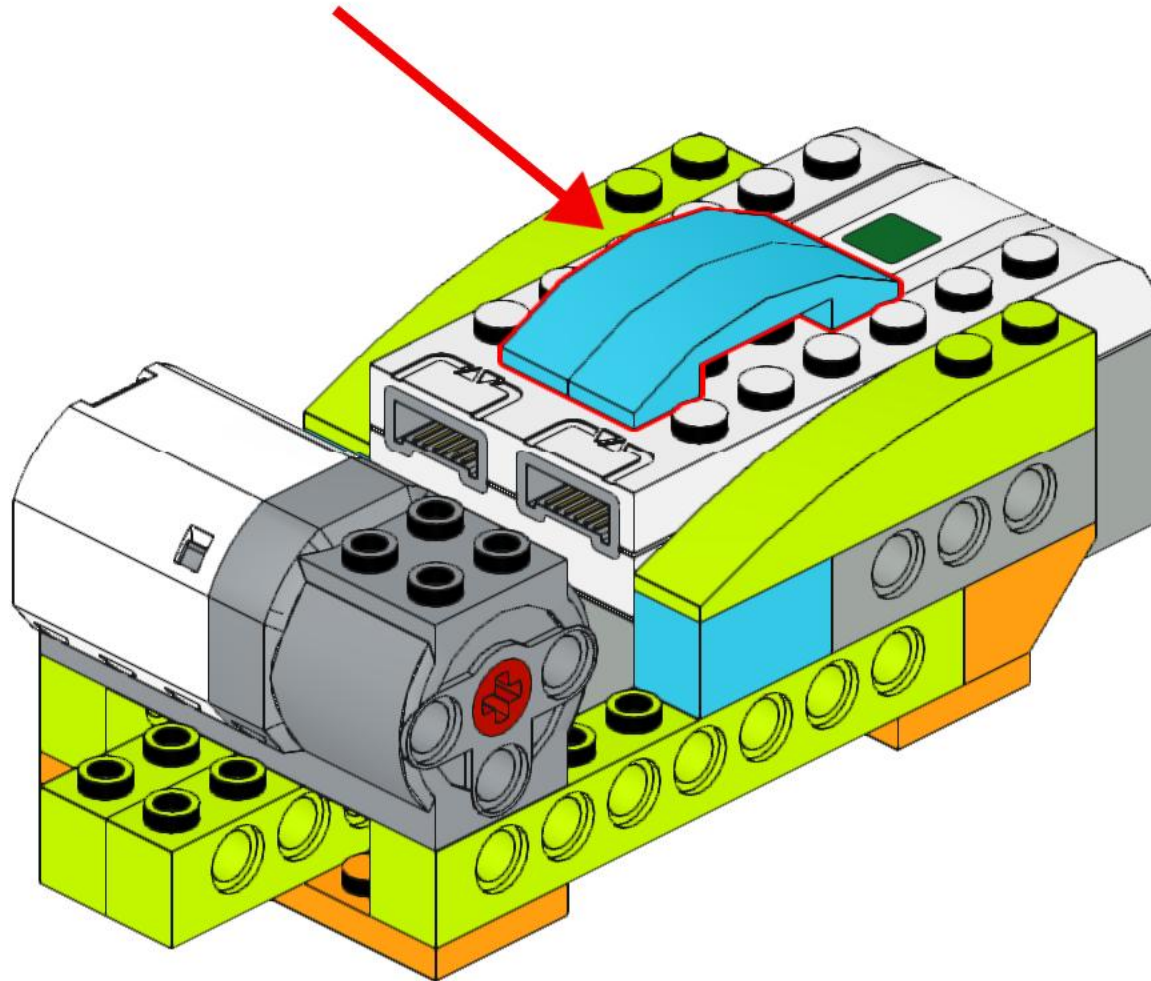
8



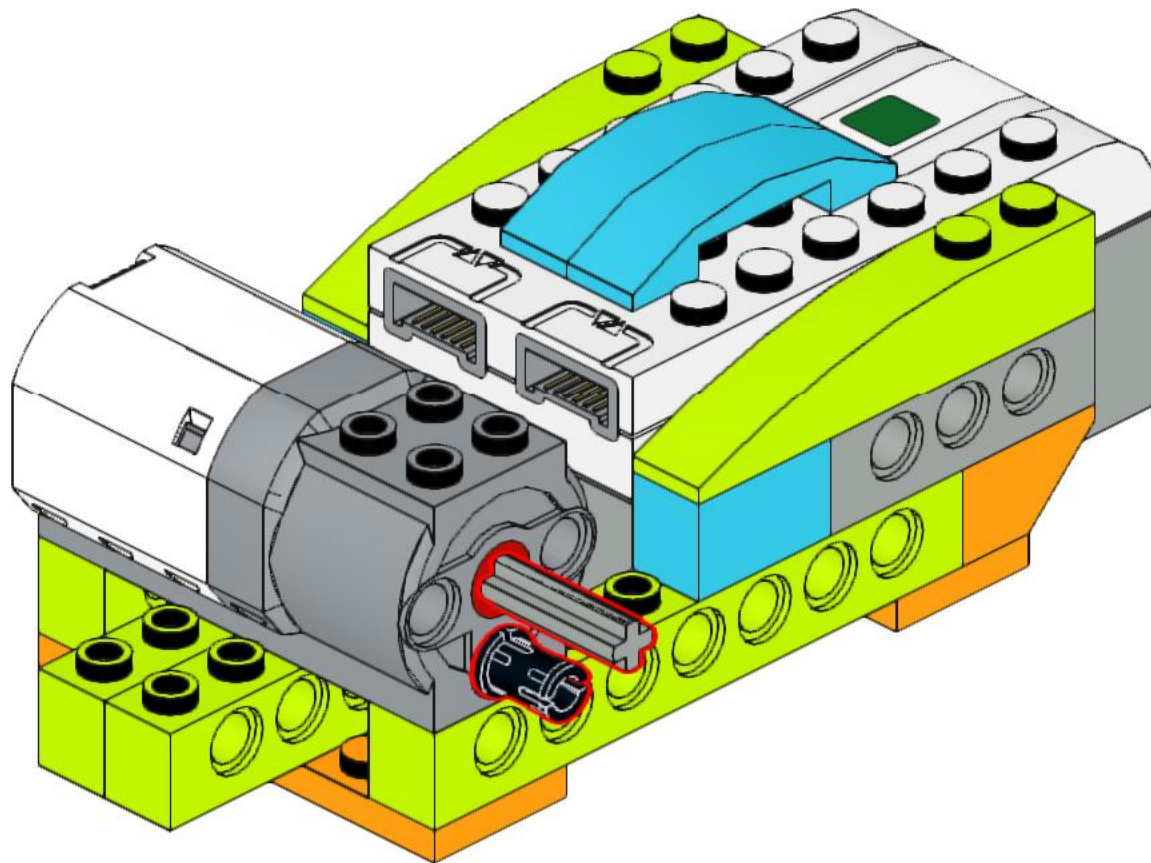
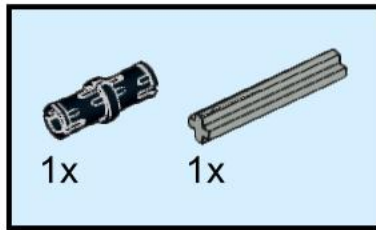
9




Закрепите  
провод от мотора



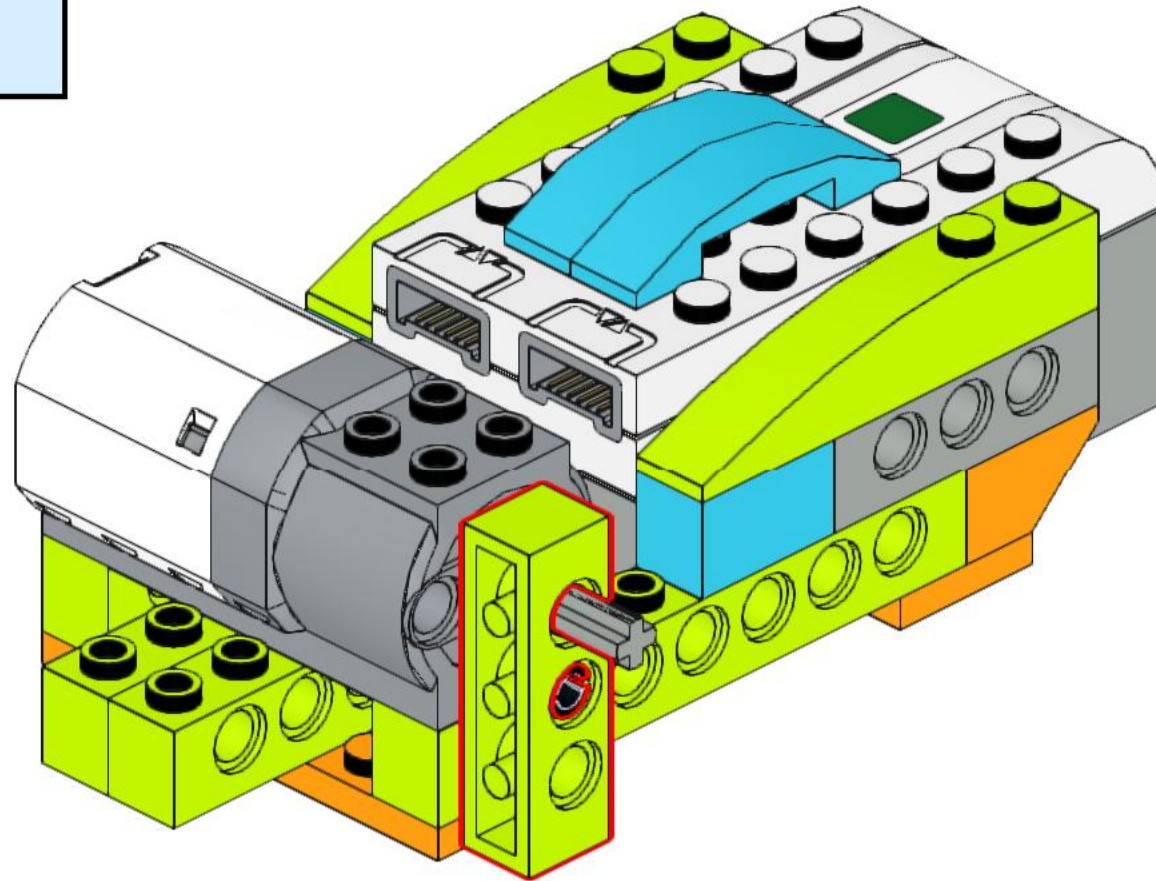
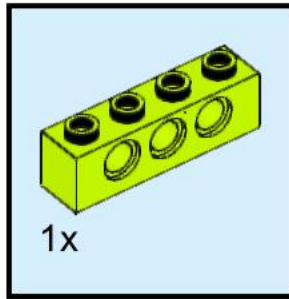
# 10



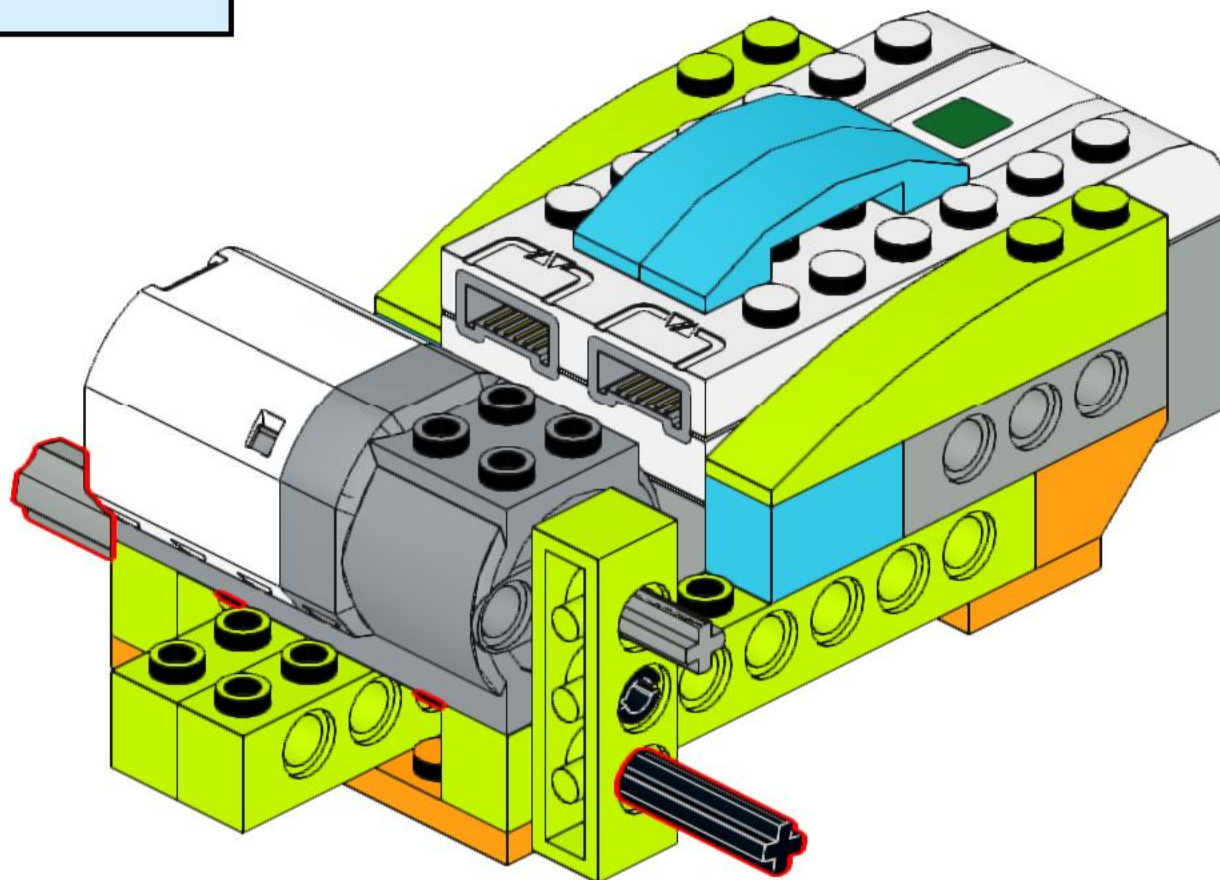
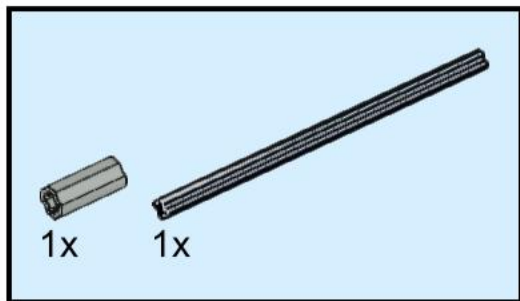
Axle 3  1:1



11



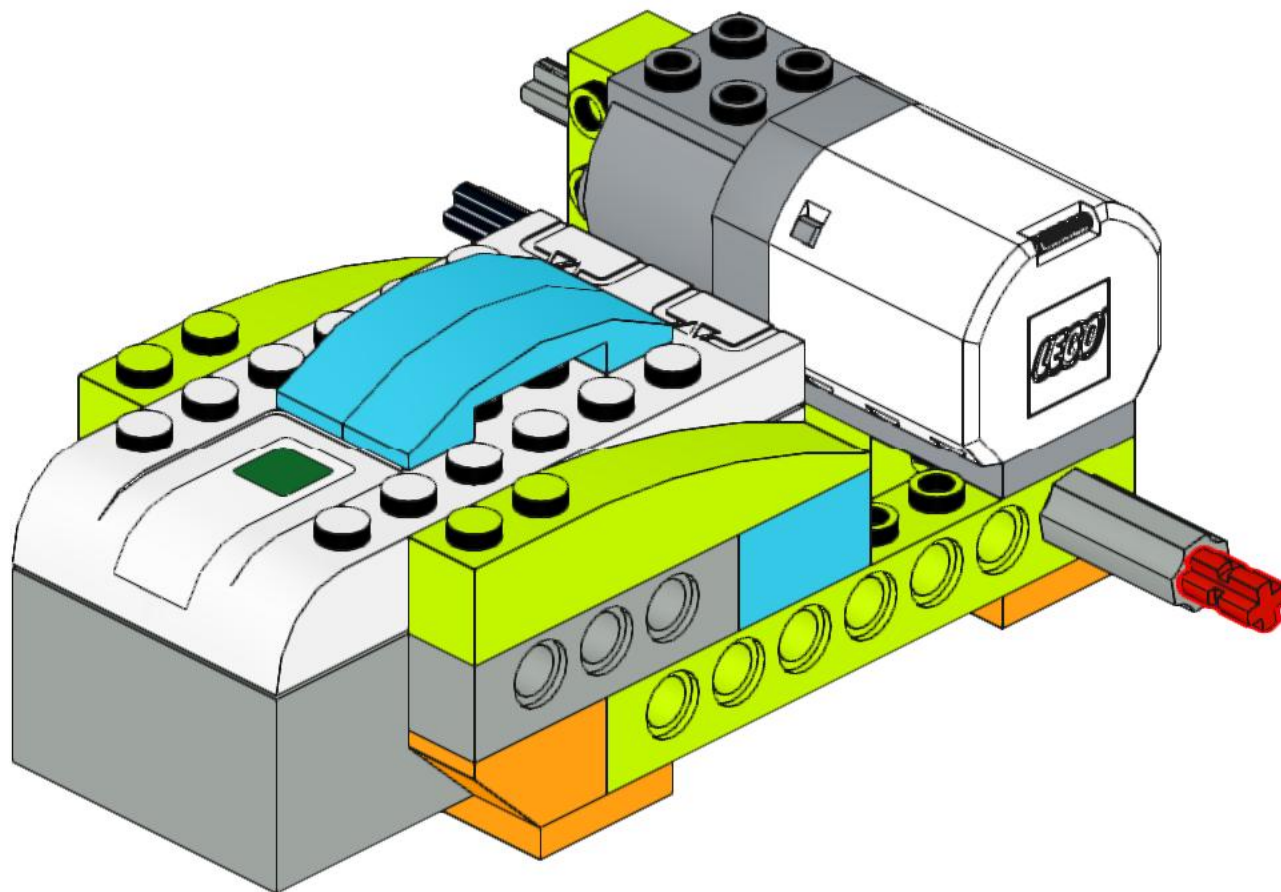
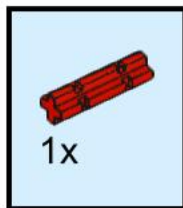
# 12



Axle 10  1:1

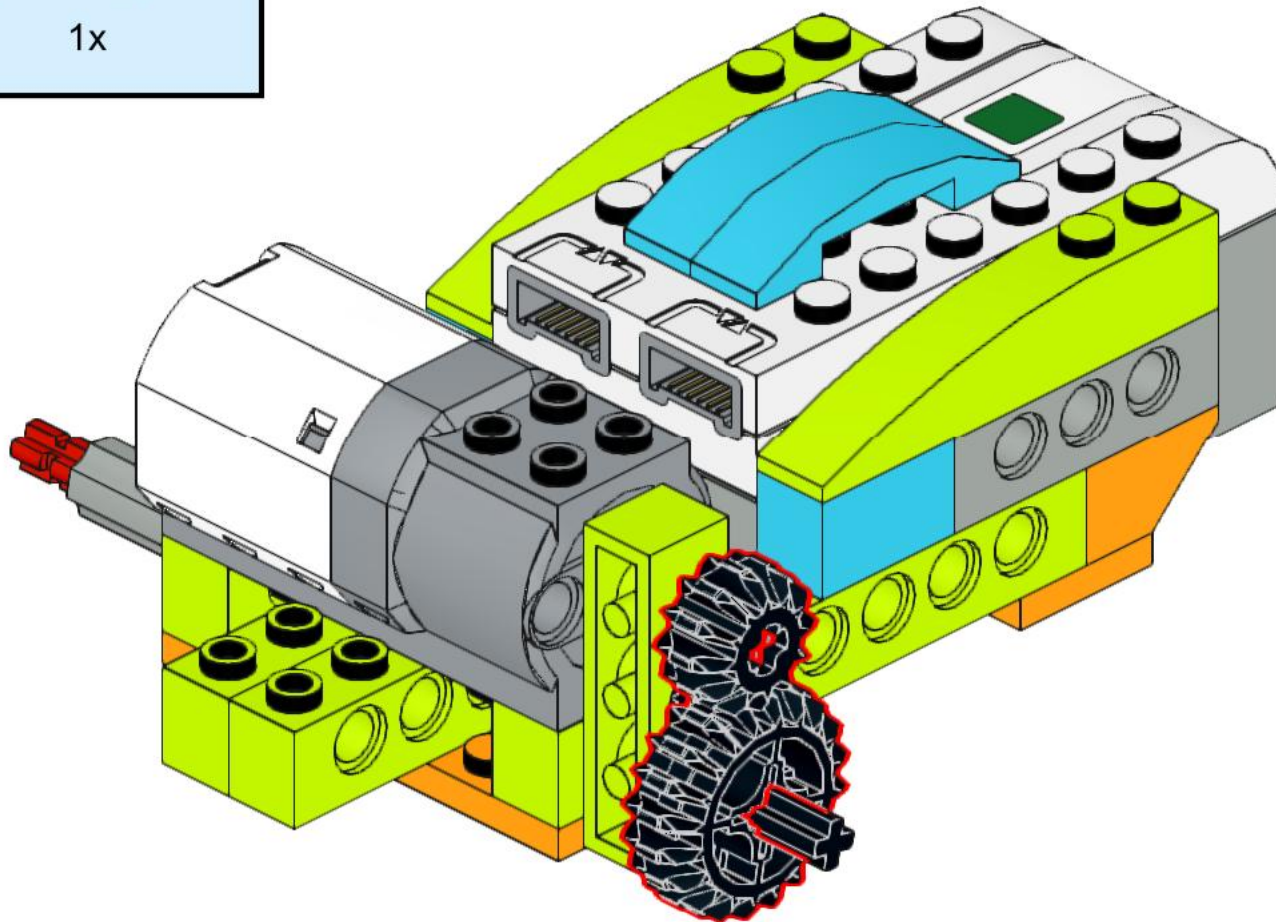
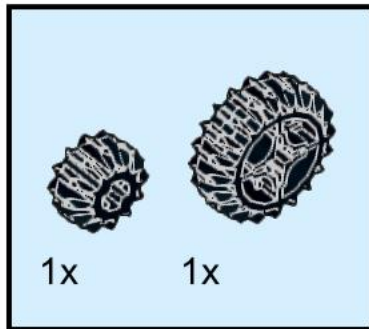


# 13

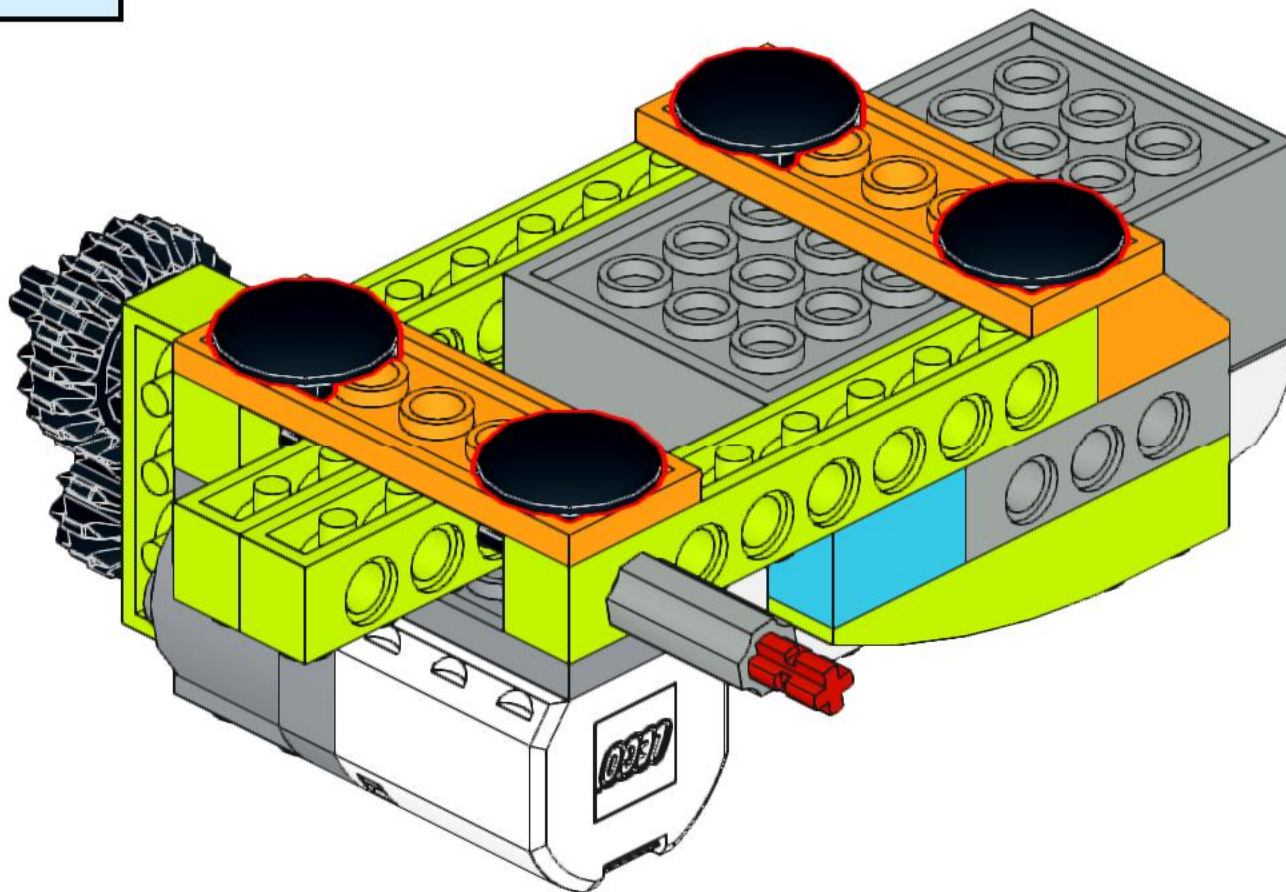
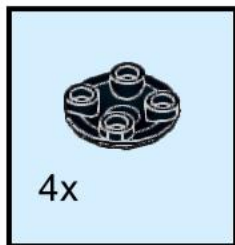


Axle 2 1:1

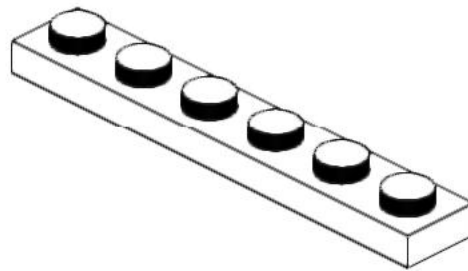
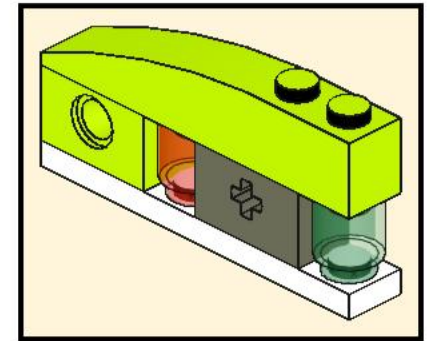
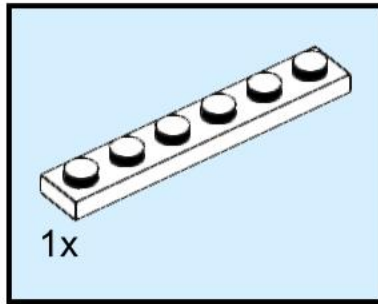
# 14



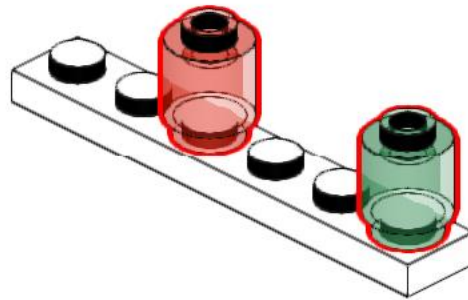
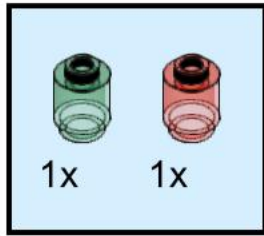
# 15



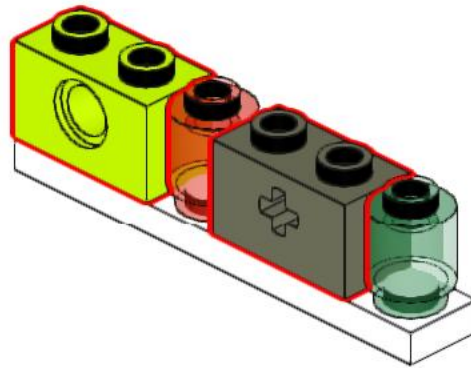
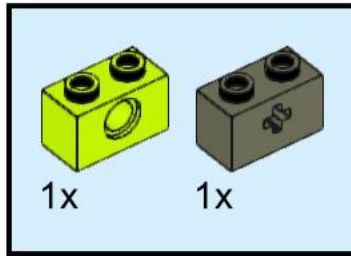
# 16



# 17

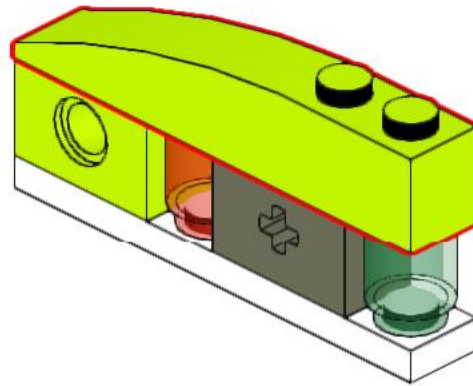
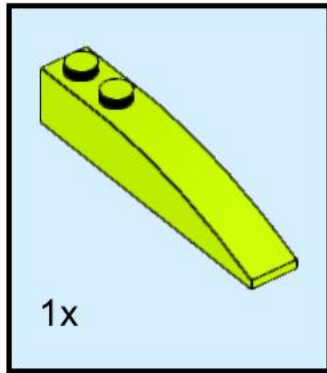


# 18

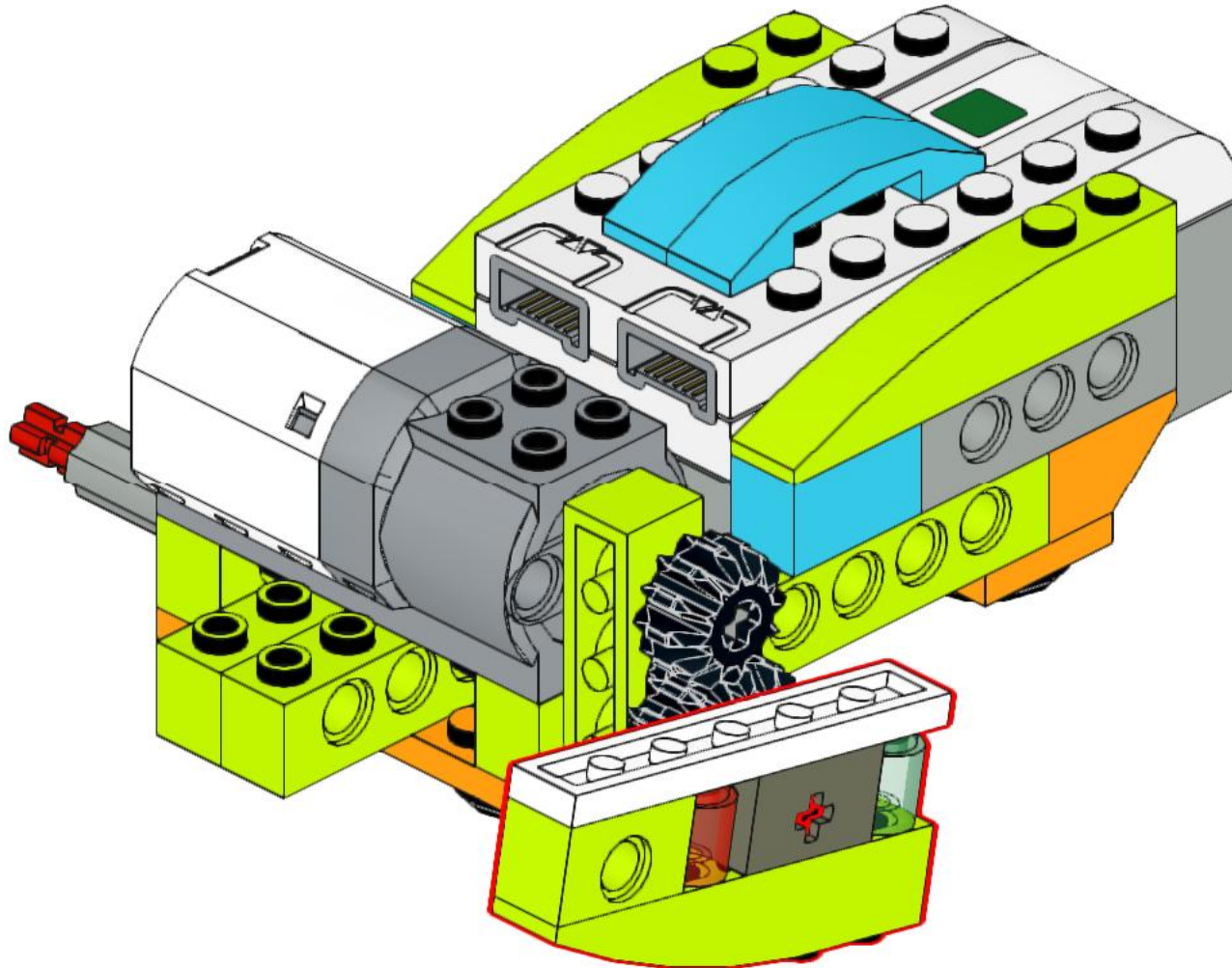




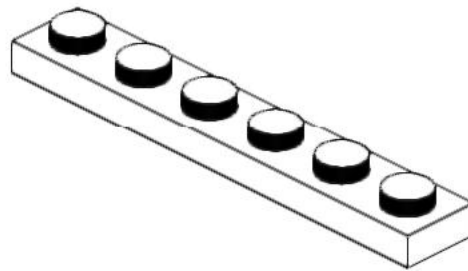
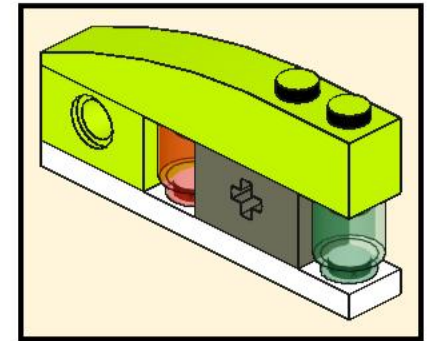
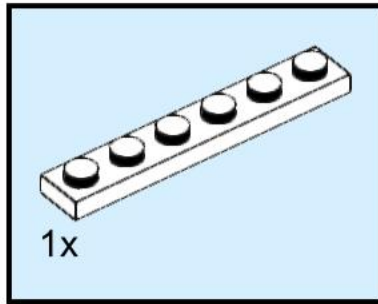
# 19



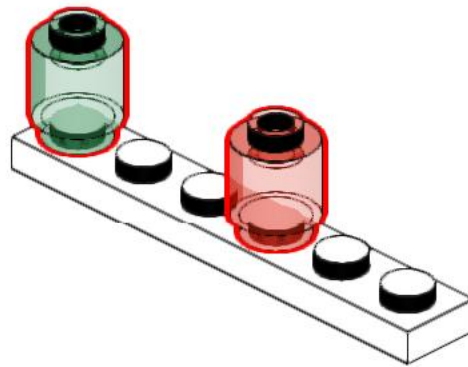
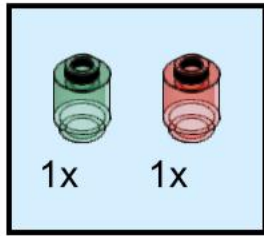
# 20



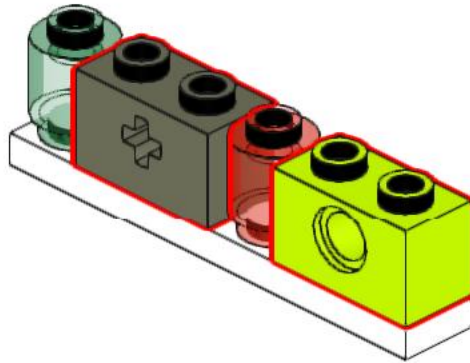
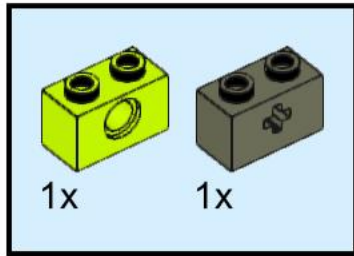
# 21



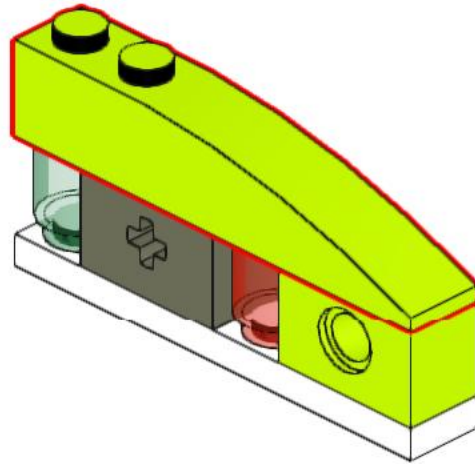
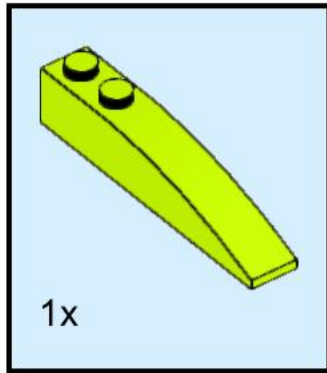
# 22



# 23

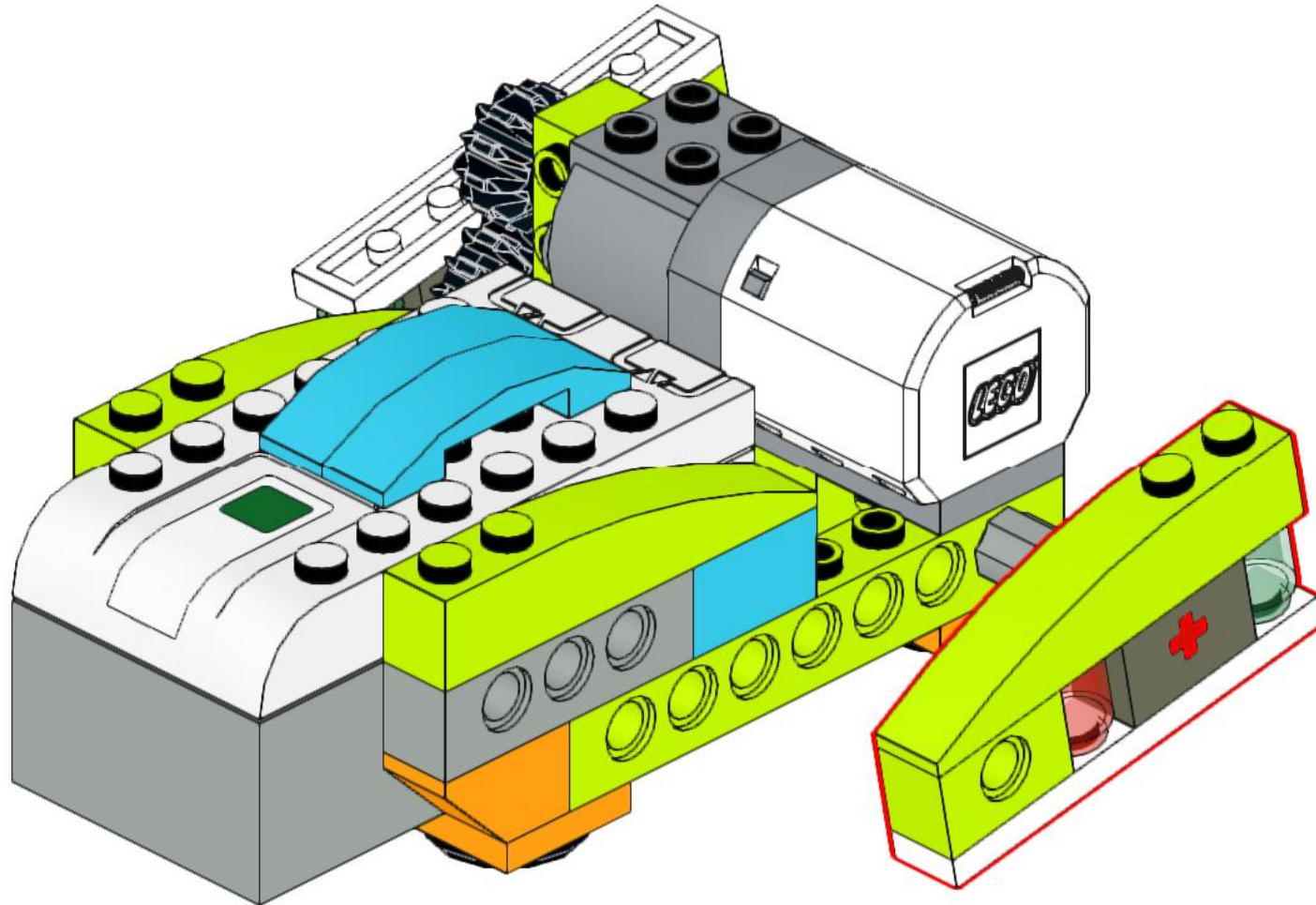


24

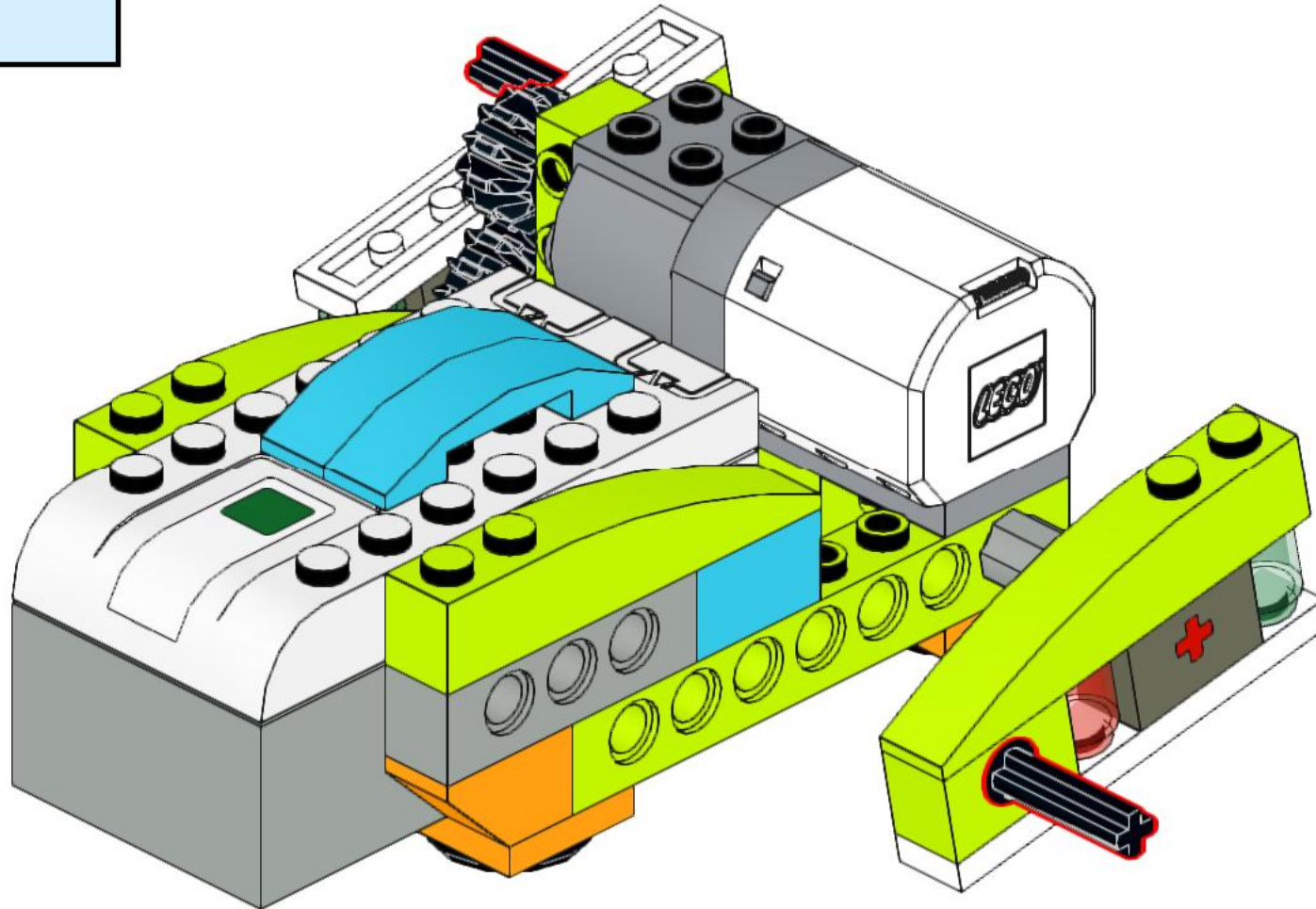
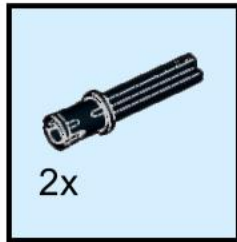




# 25



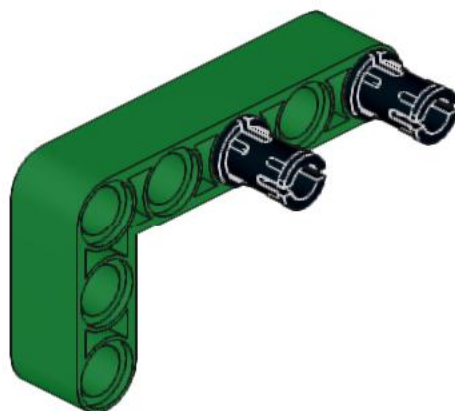
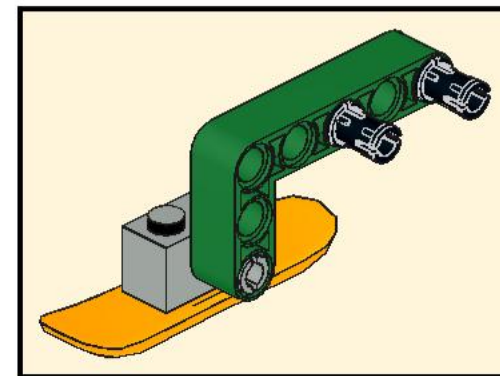
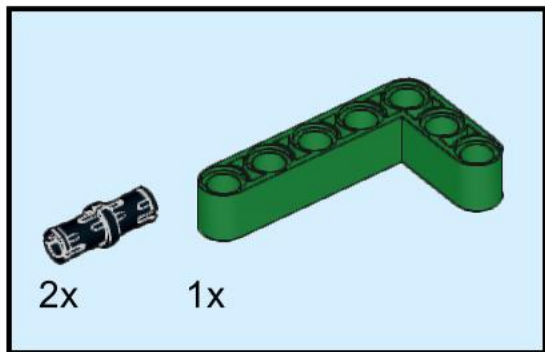
# 26



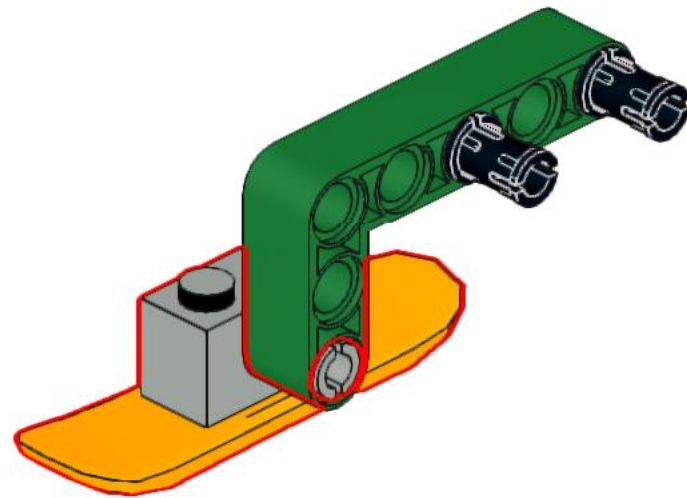
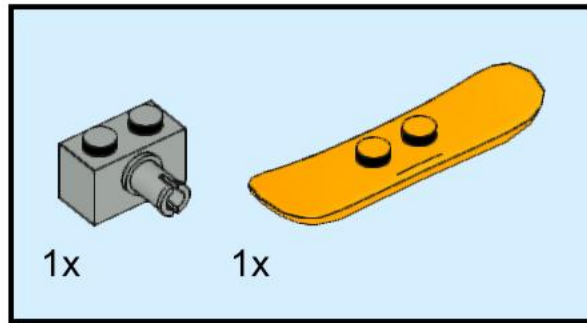
Axle Pin 3



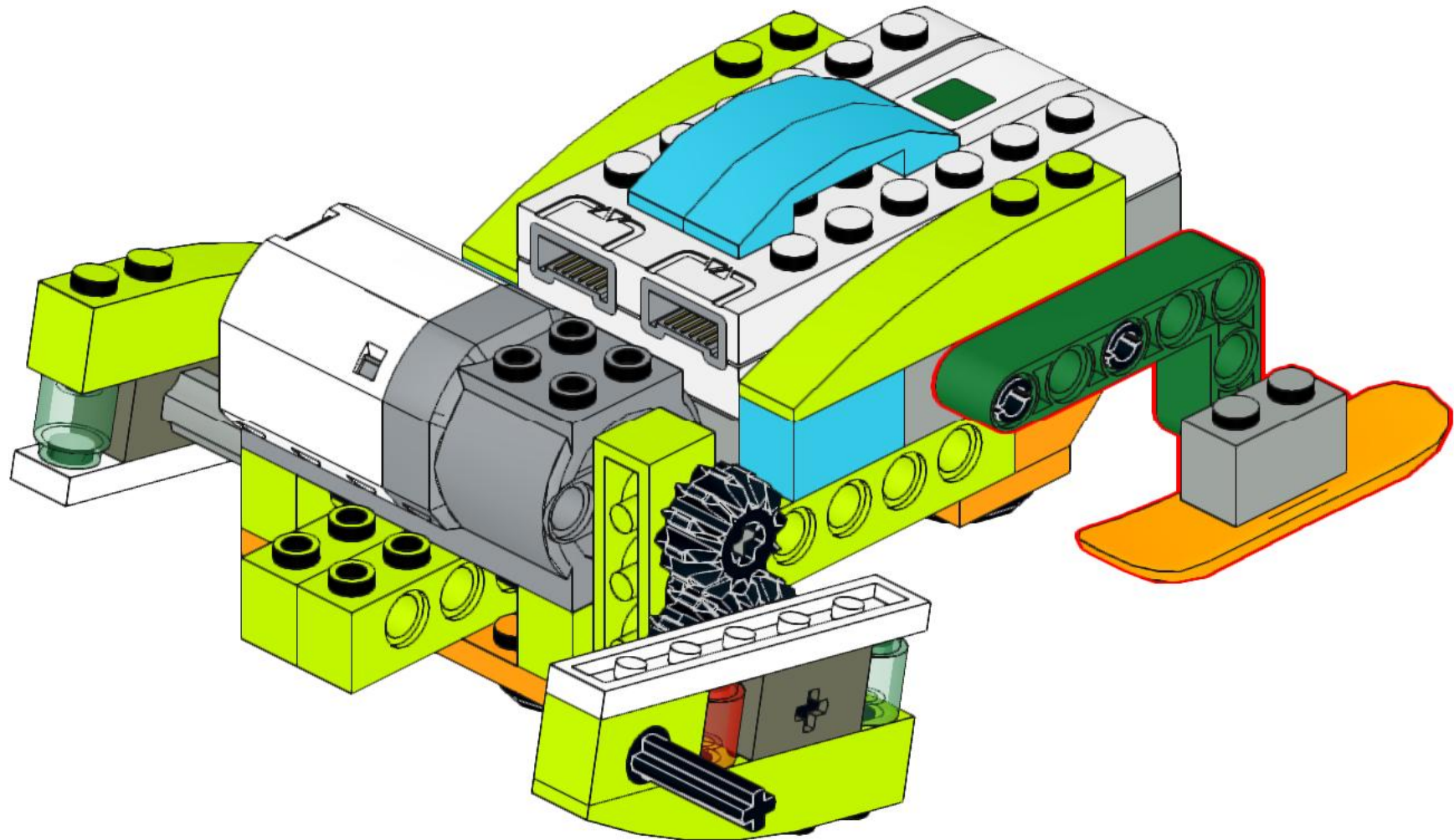
# 27



# 28

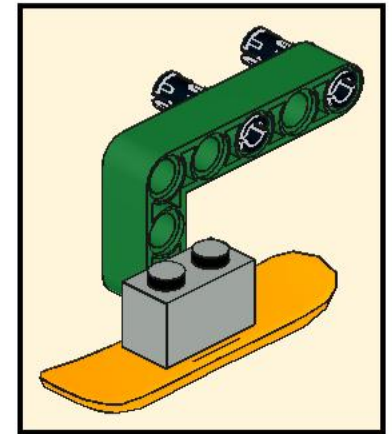
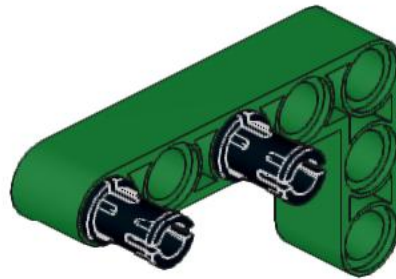
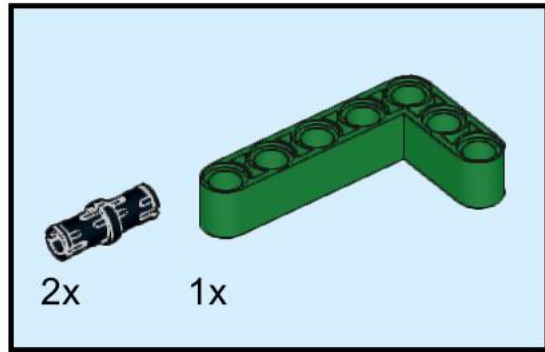


# 29



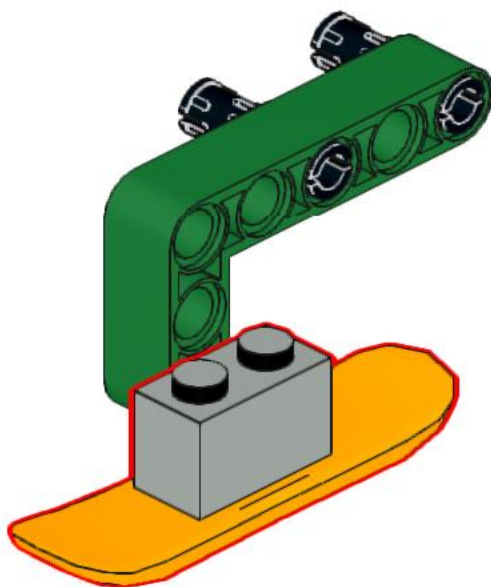
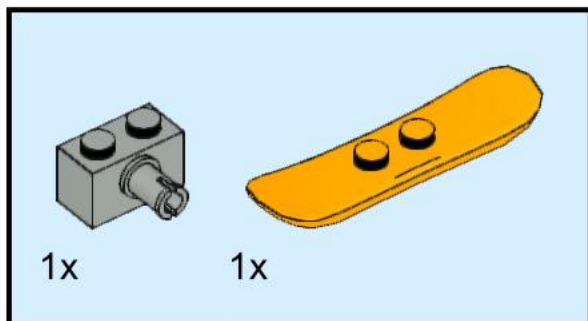


# 30

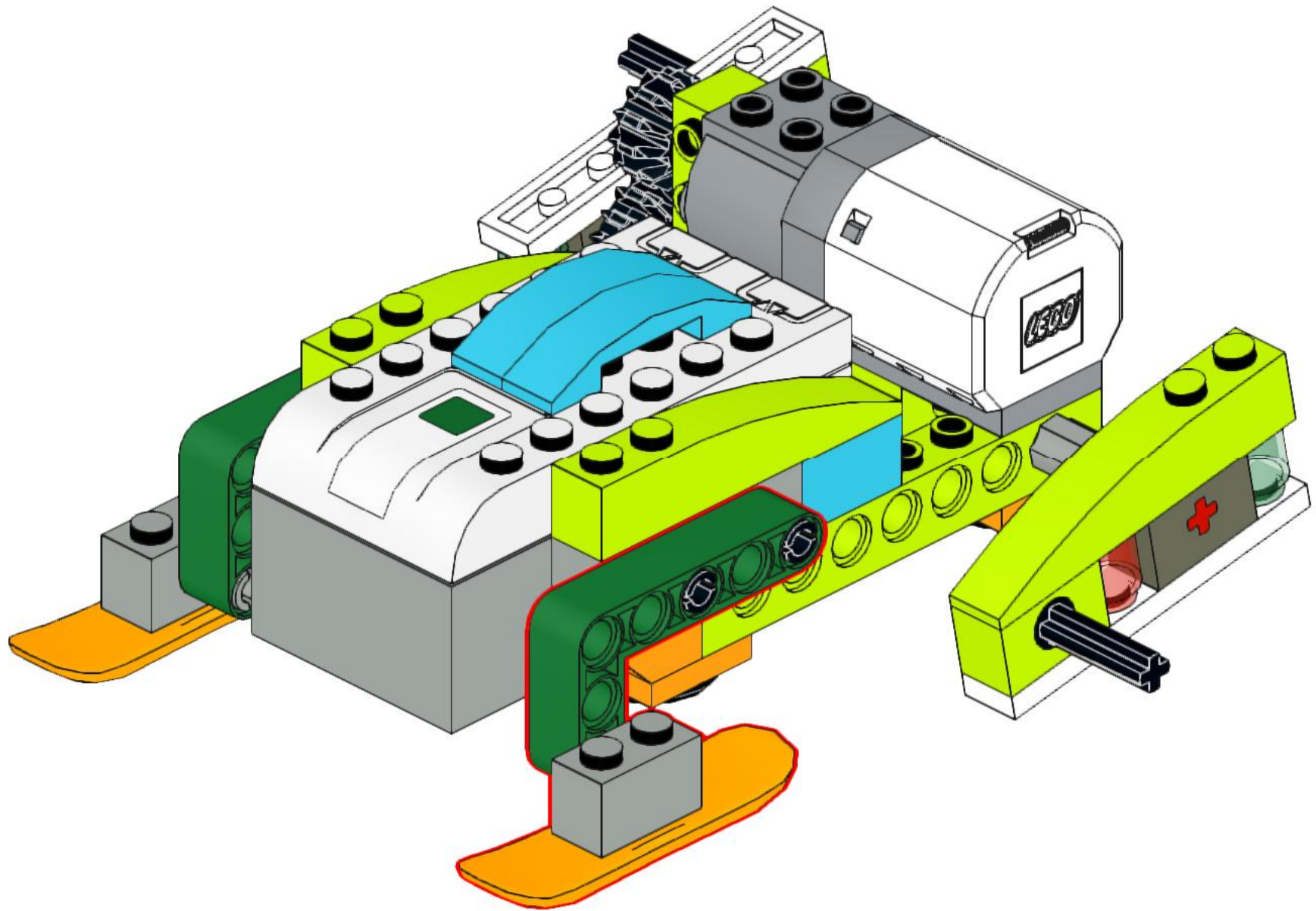




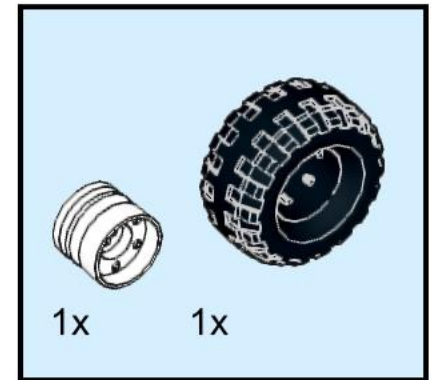
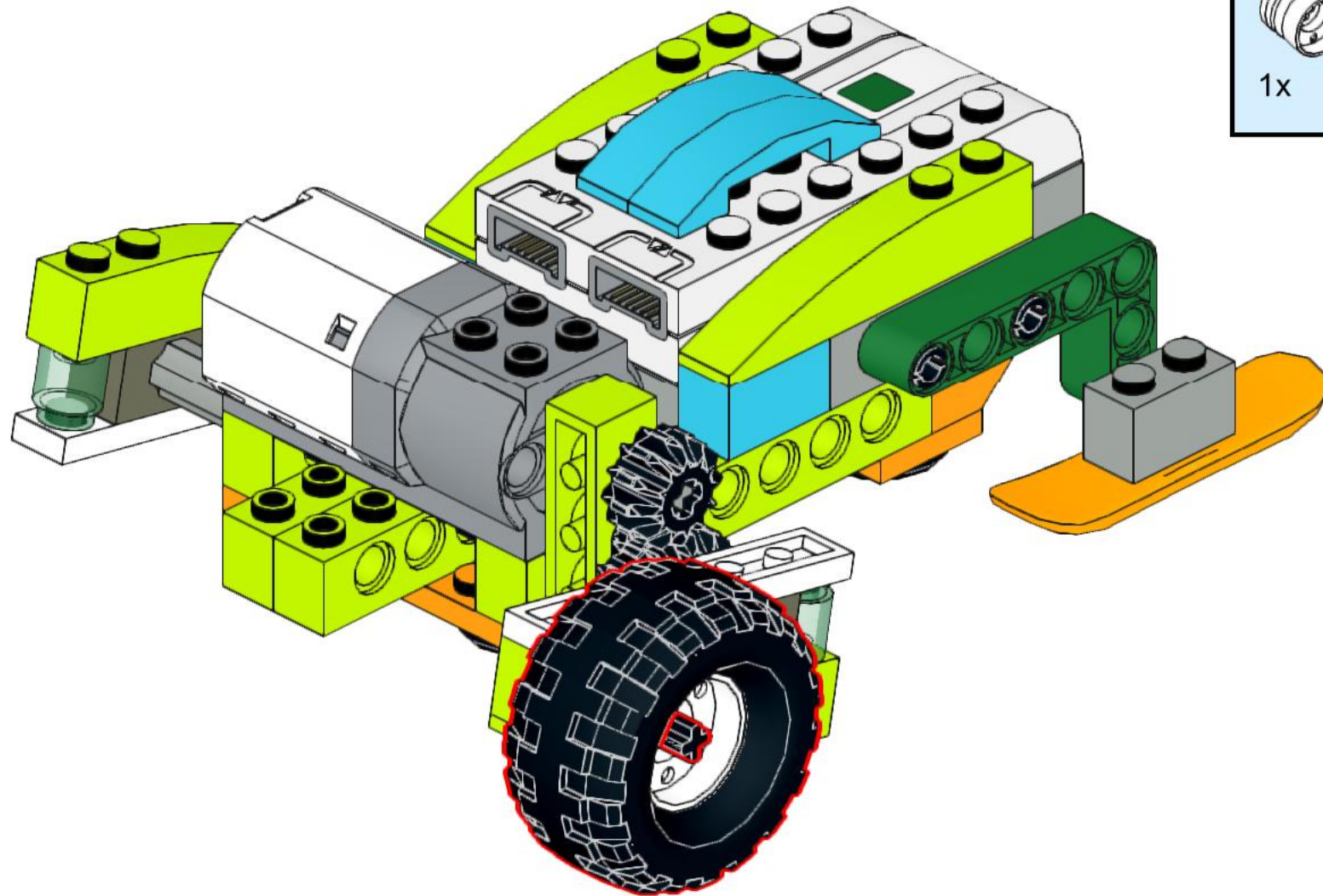
# 31



32

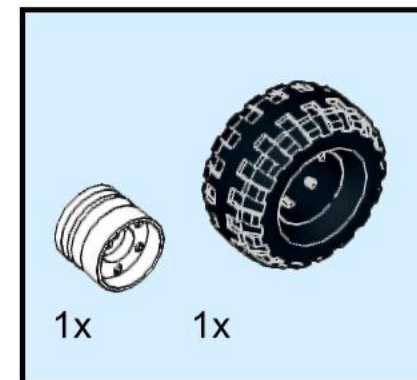
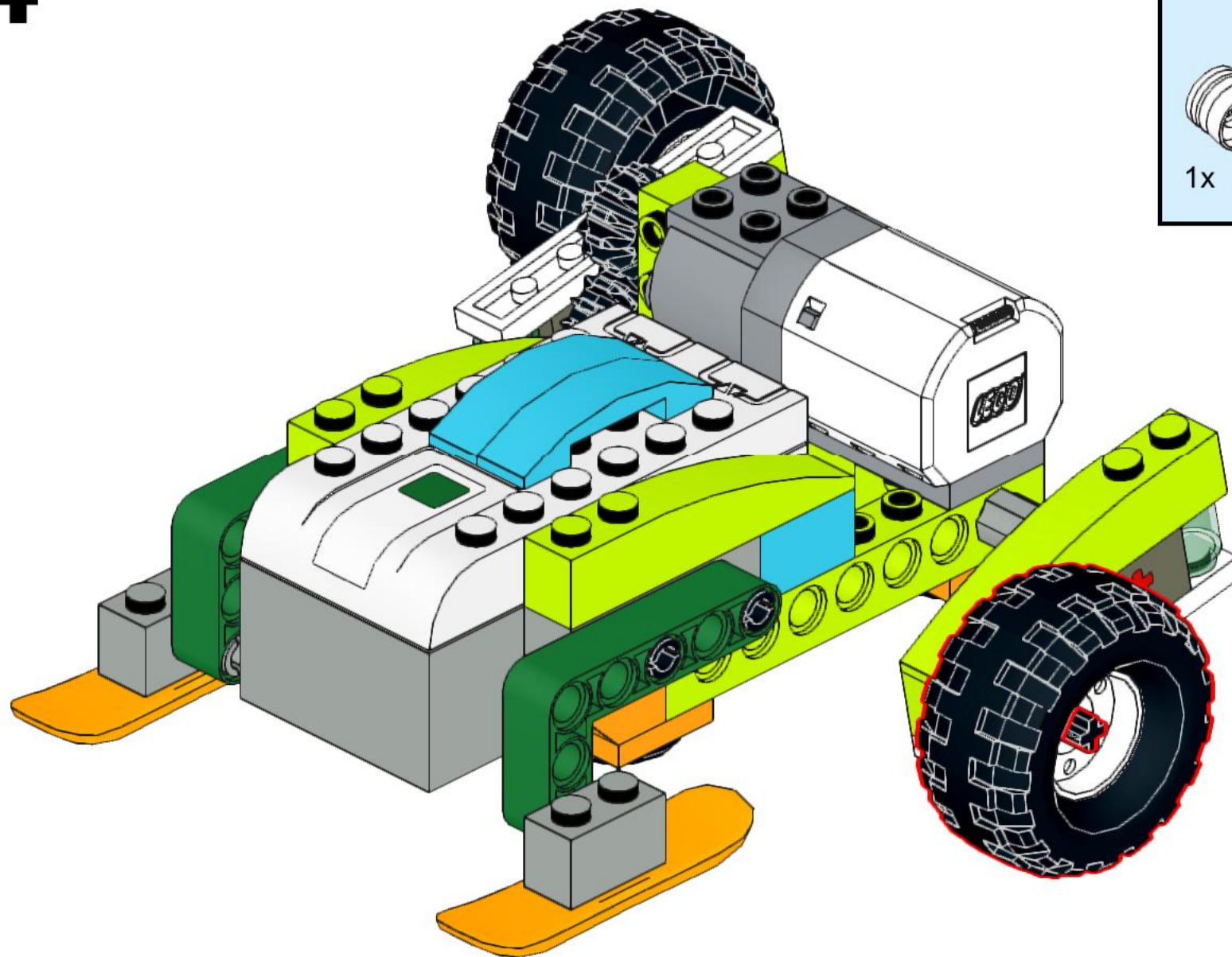


# 33

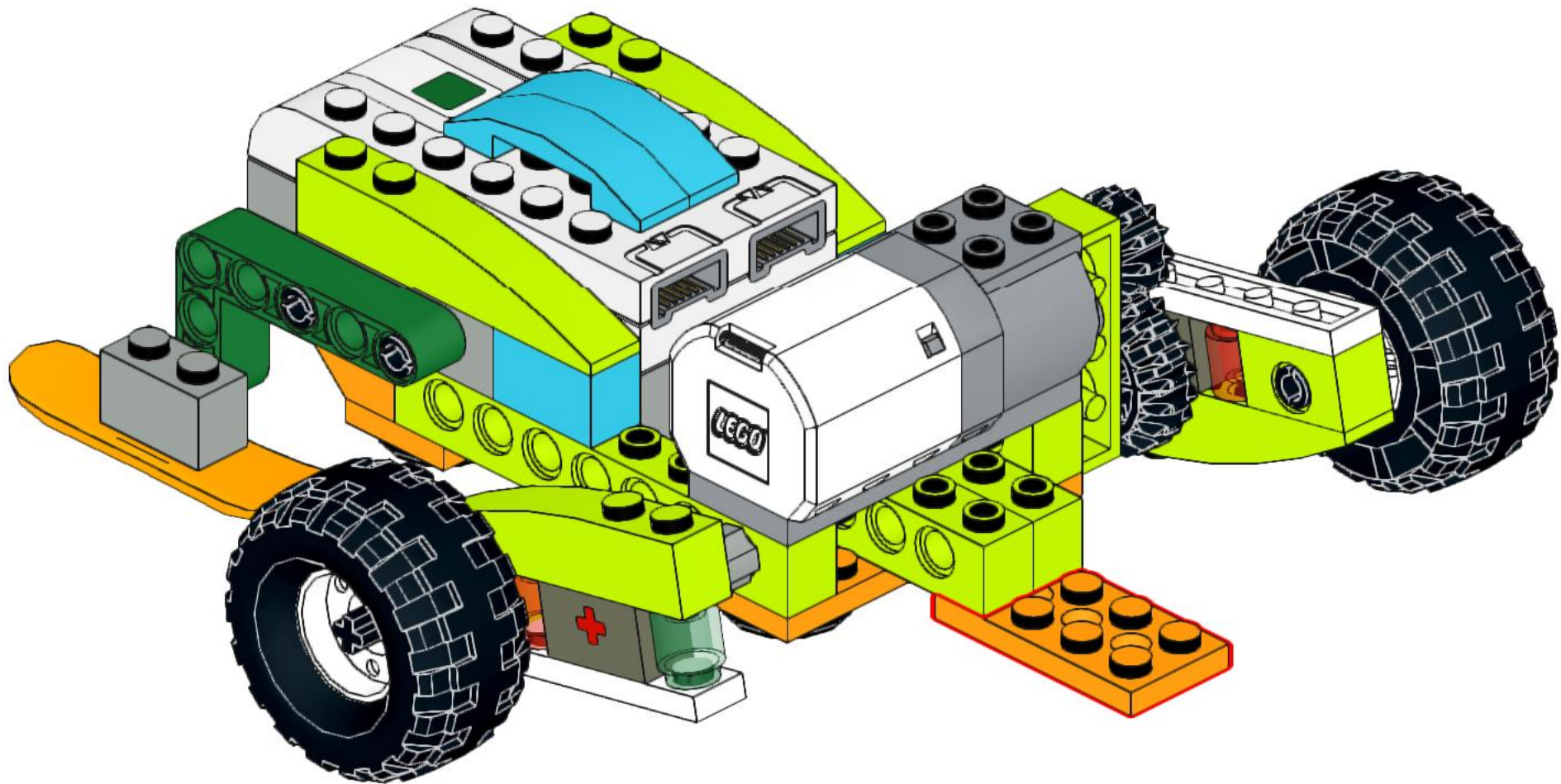
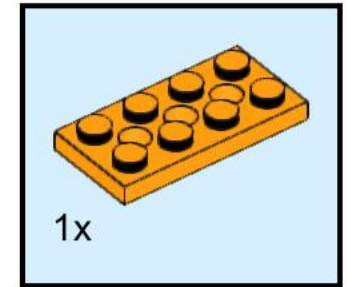




# 34

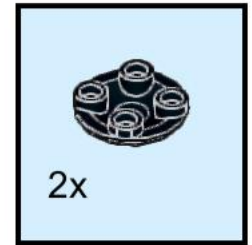
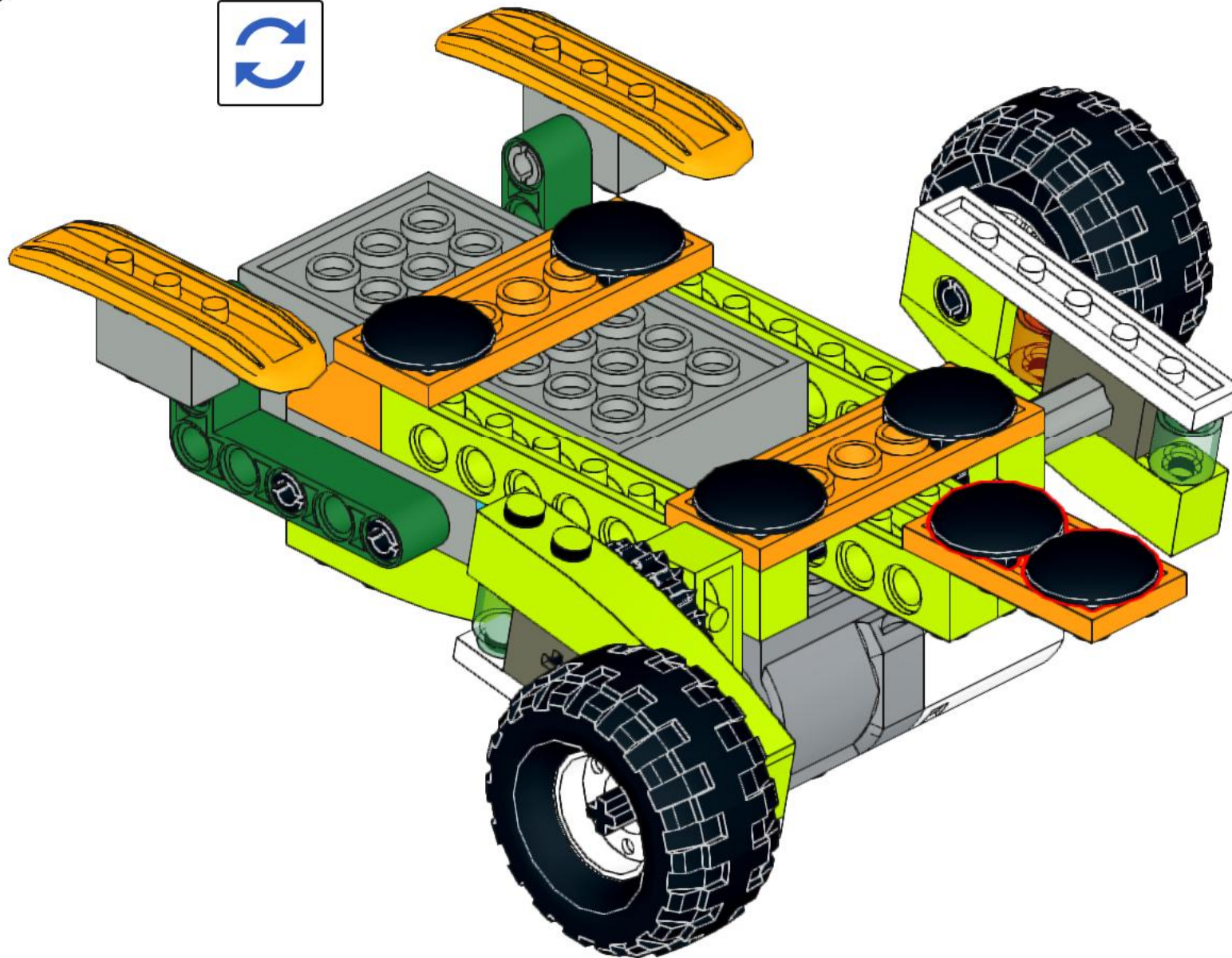


# 35

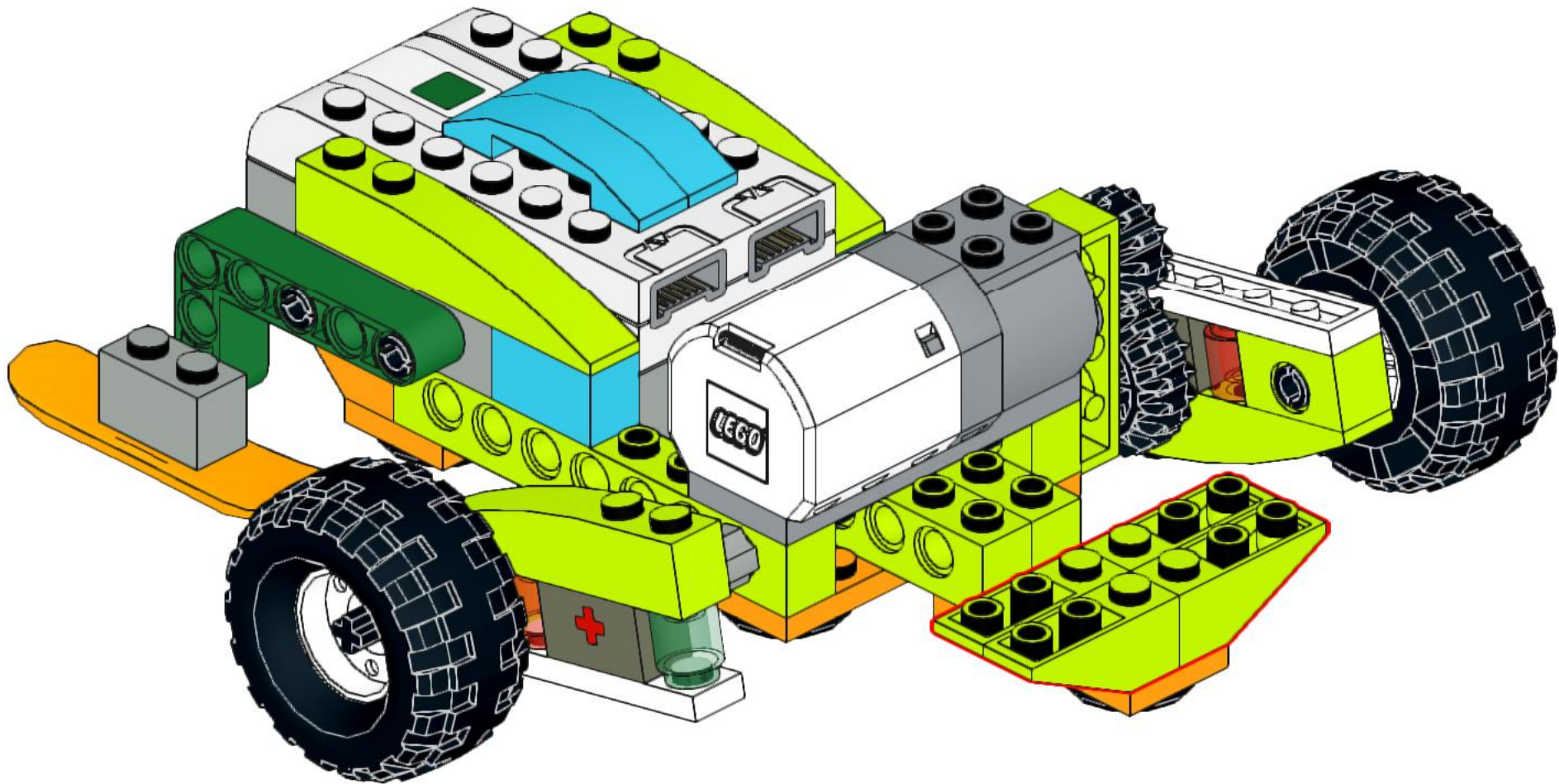
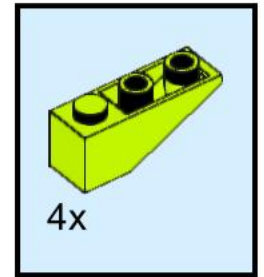




# 36

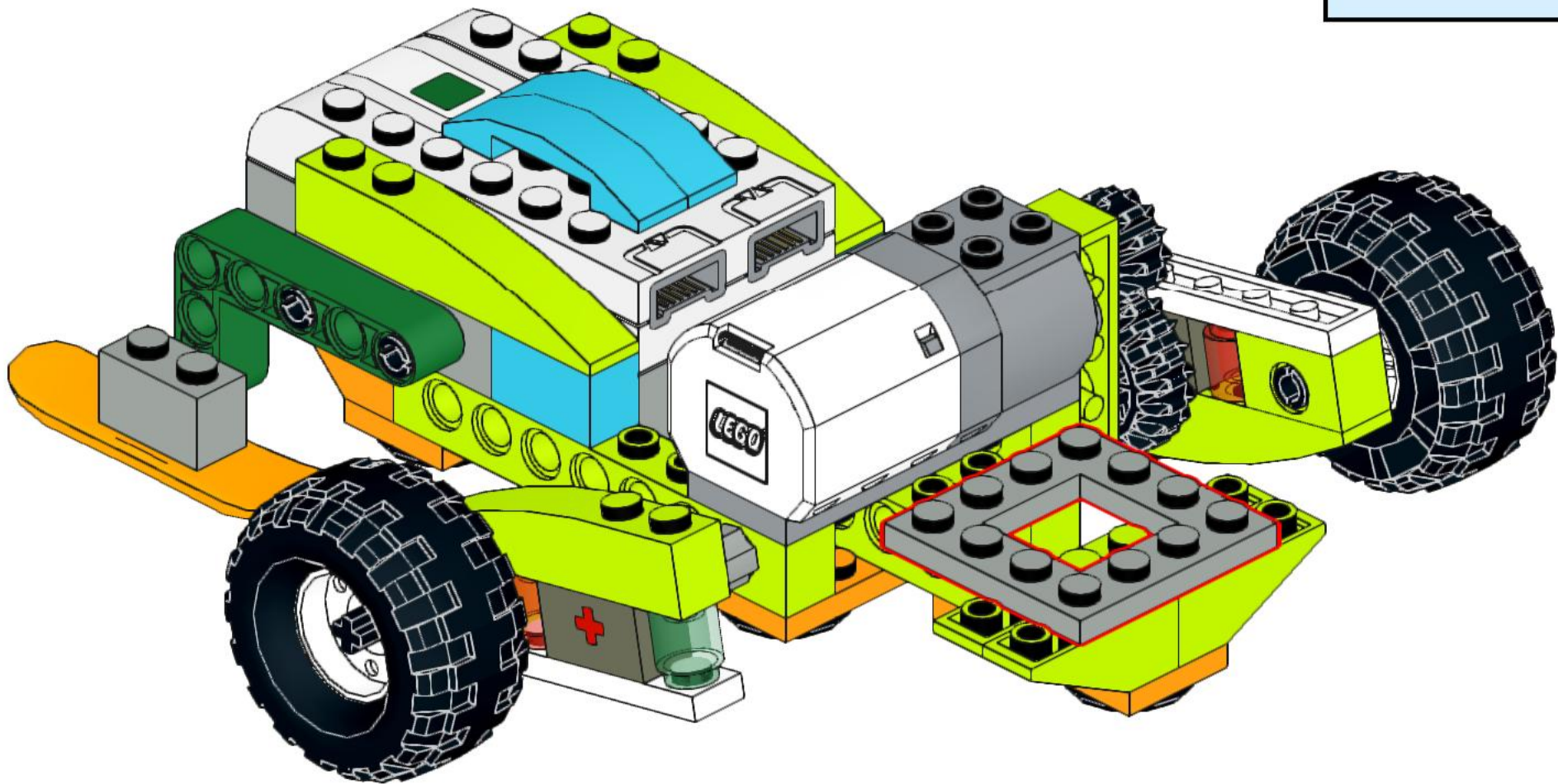
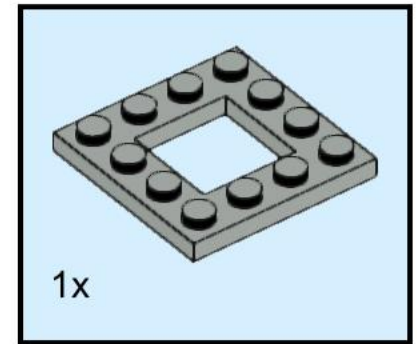


# 37

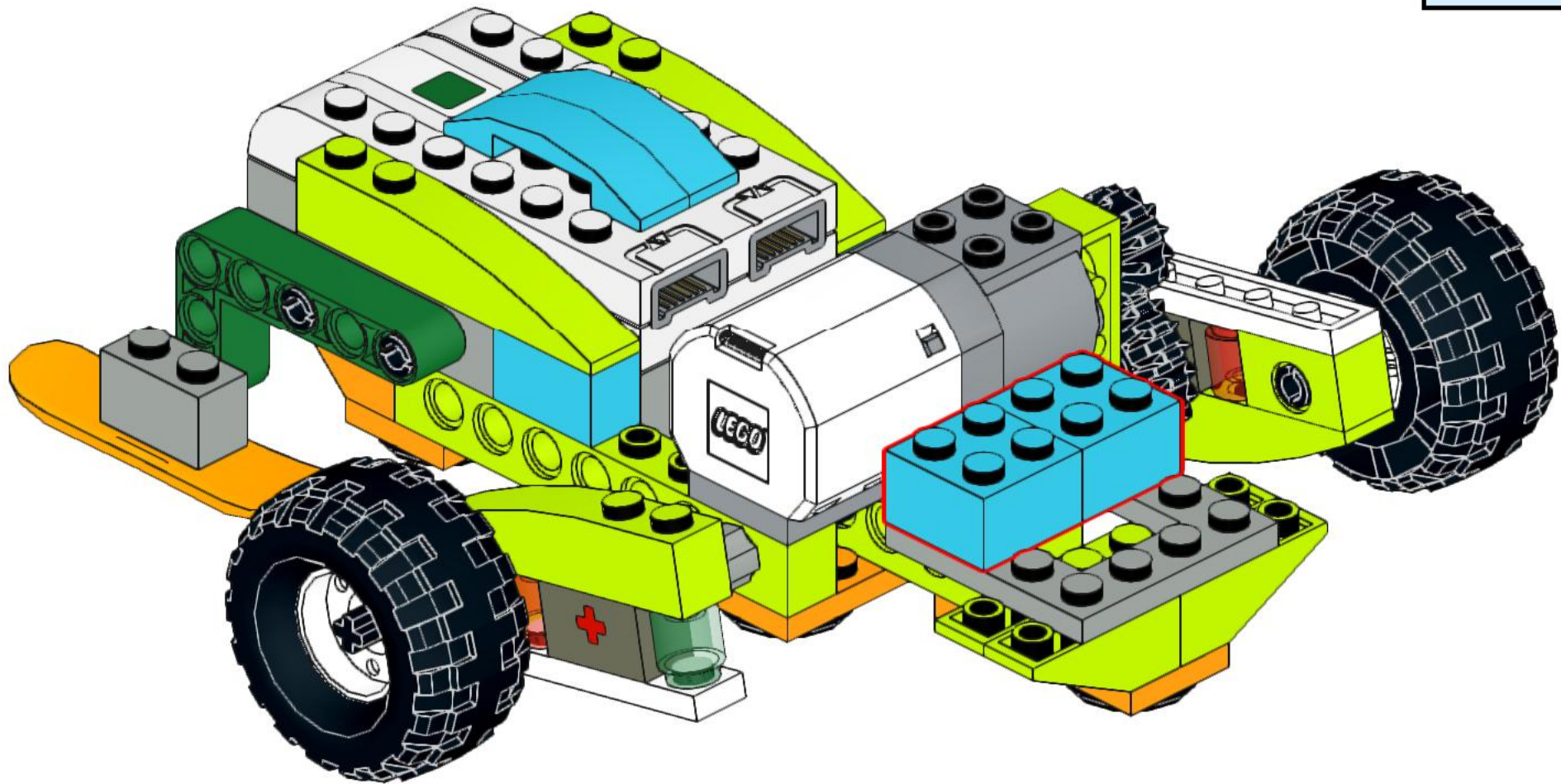
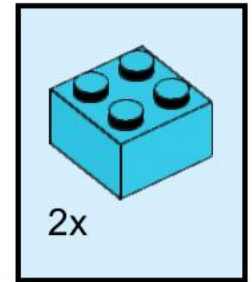




# 38

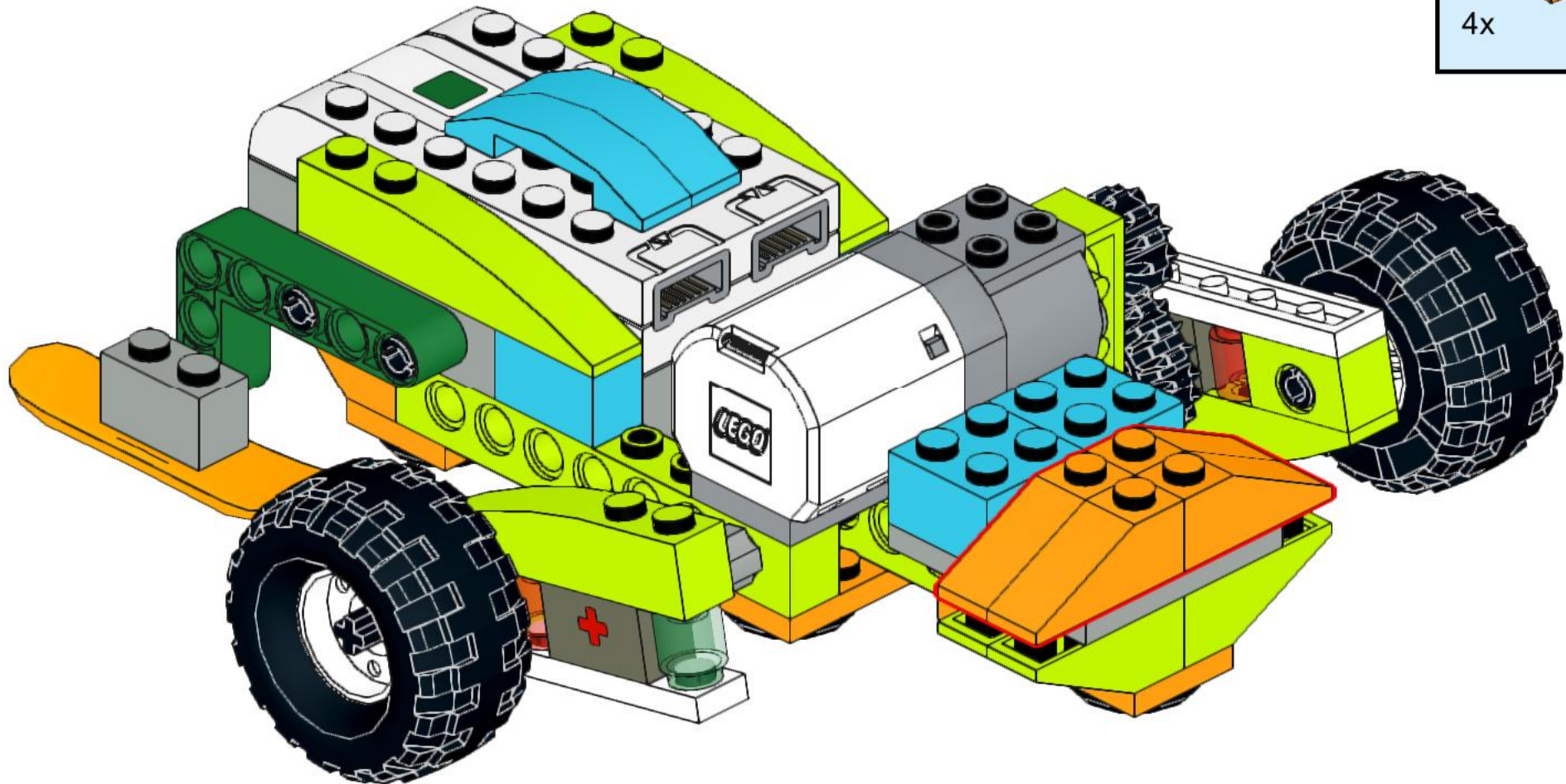
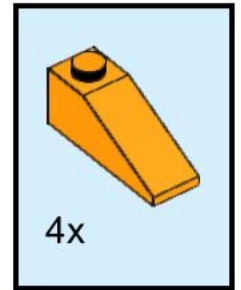


# 39

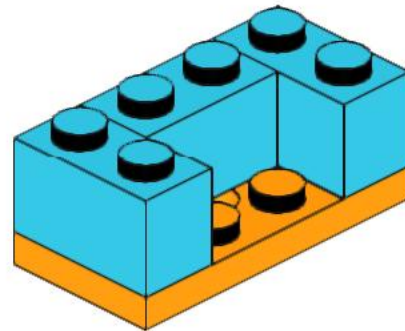
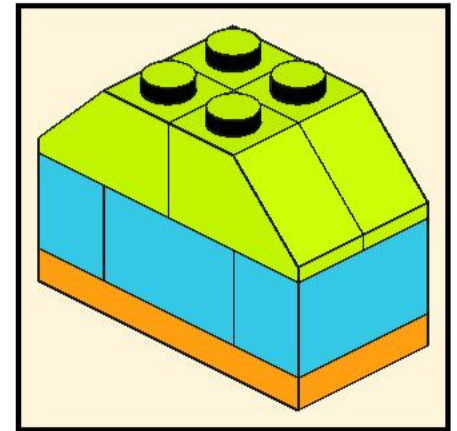
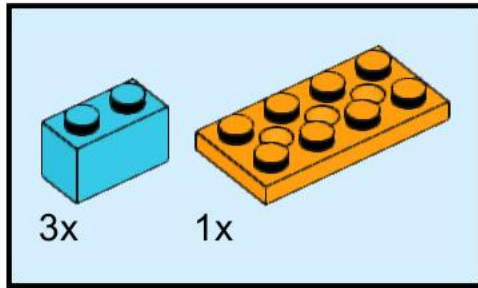




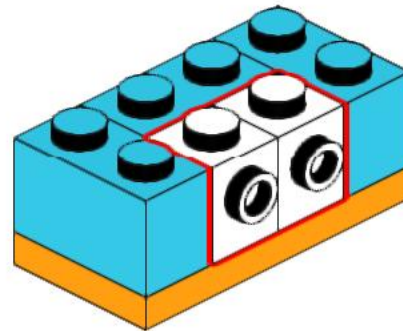
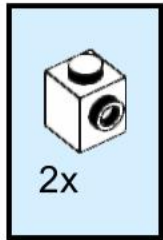
# 40



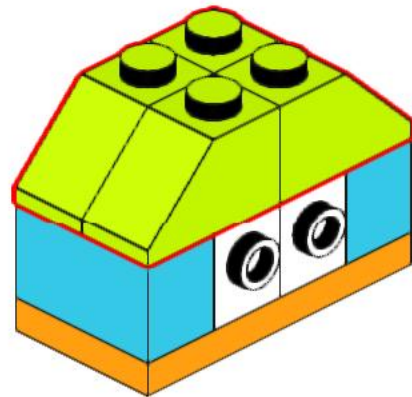
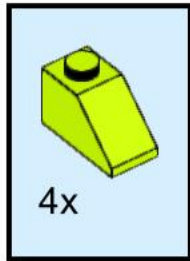
# 41



42

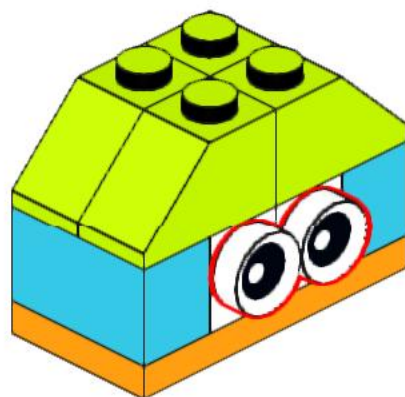
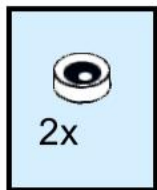


43

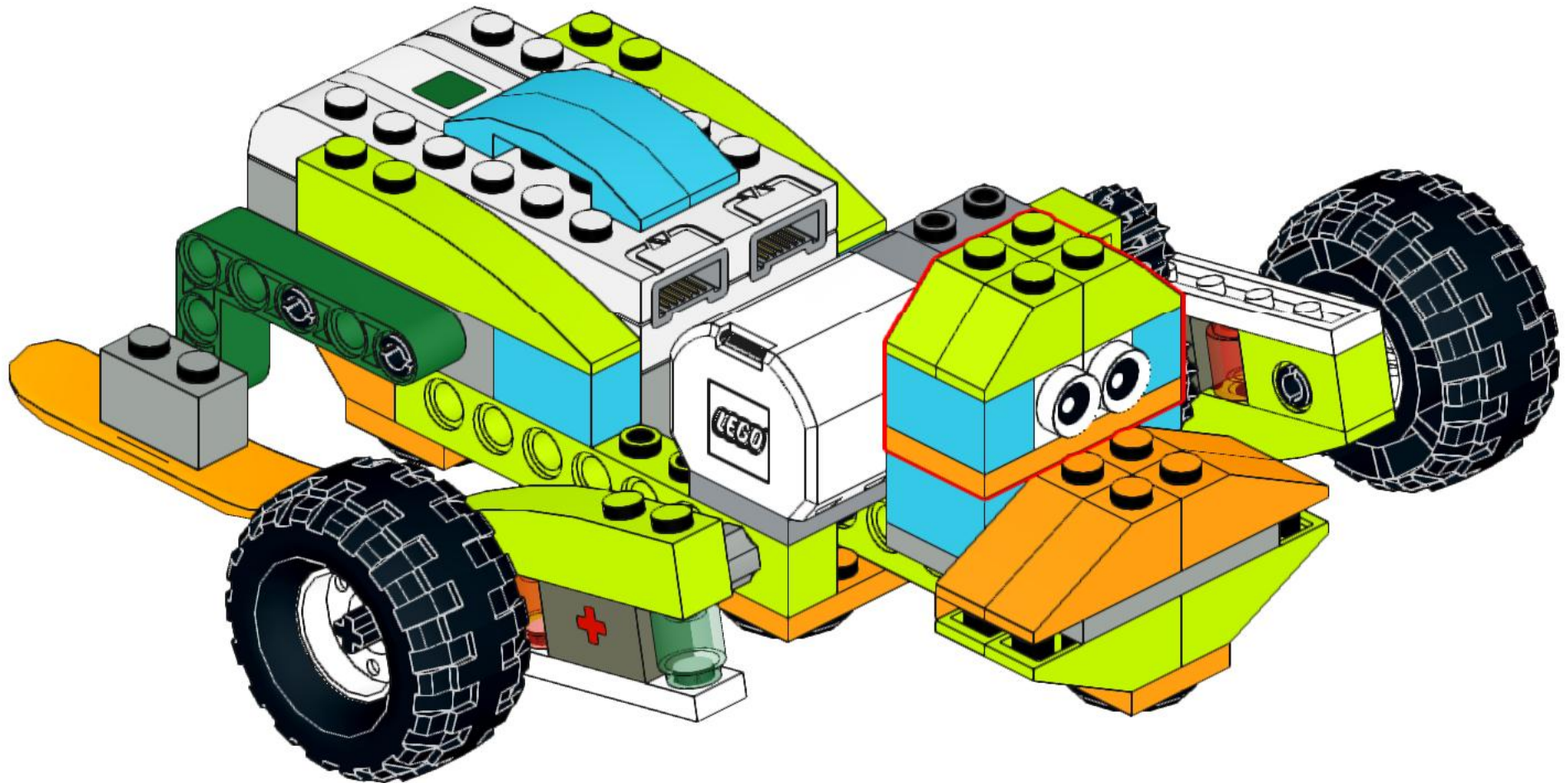




44

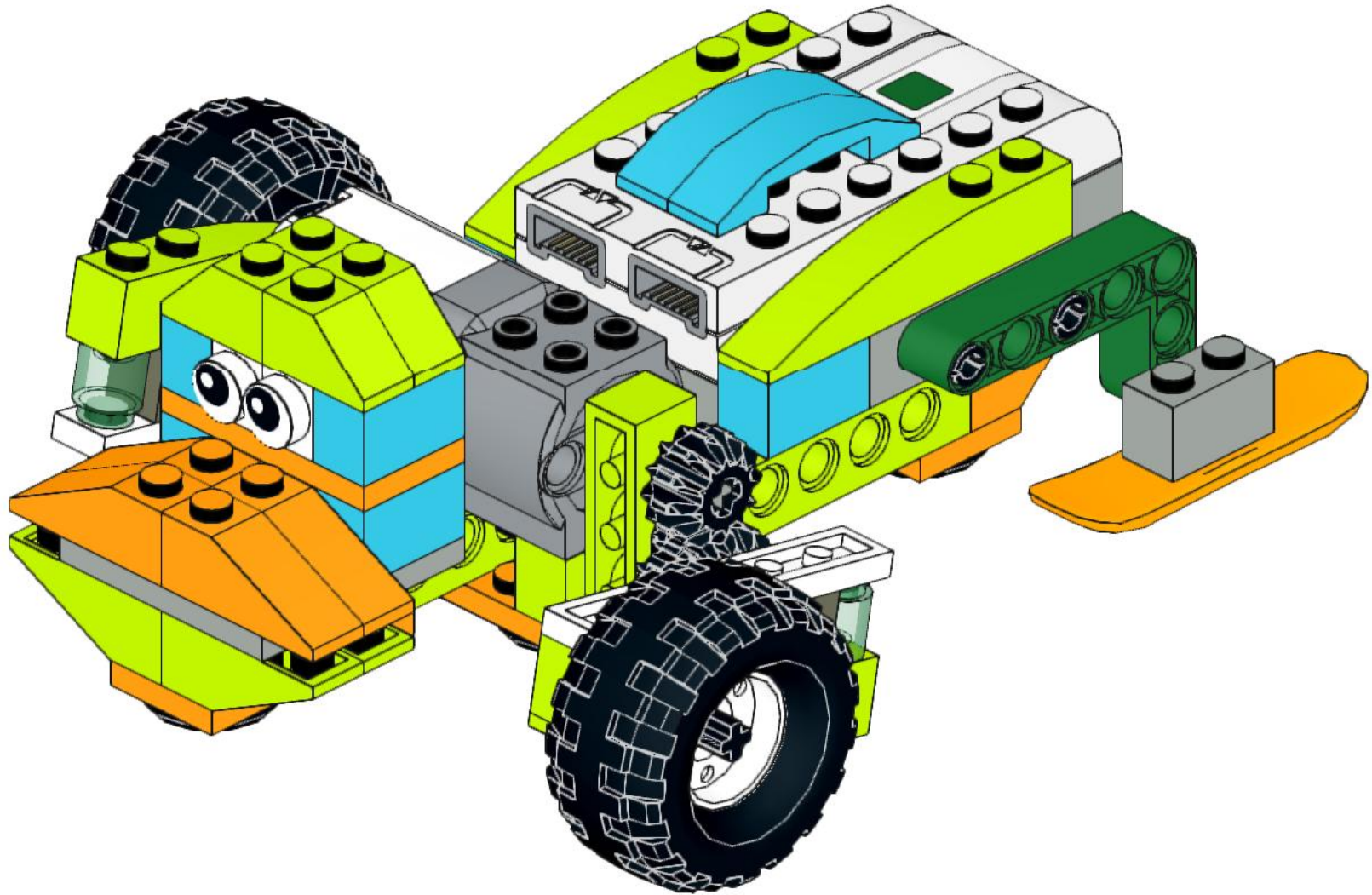


# 45



# 46

# FINISH!



# Parts List



5x



1x



6x



2x



1x



2x



1x



2x



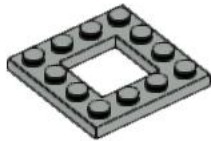
1x



1x



2x



1x



1x



2x



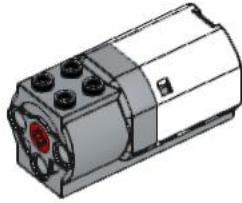
2x



2x



2x



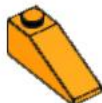
1x



1x



2x

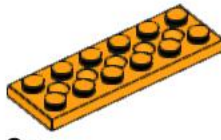


4x

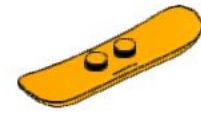
4x



2x



2x



2x



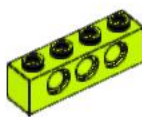
2x



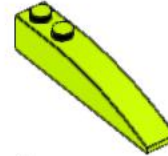
4x



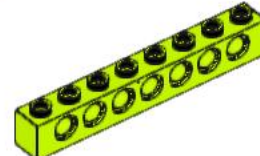
4x



3x



4x



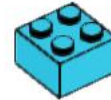
2x



2x



5x



2x



2x



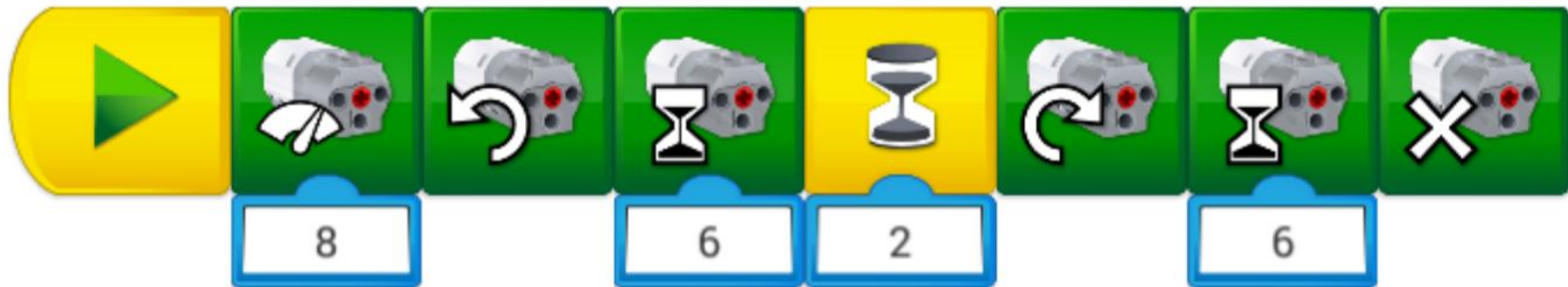
2x



2x



## Example of program



**Improve and create your  
own program!**