

Huge Gullivert

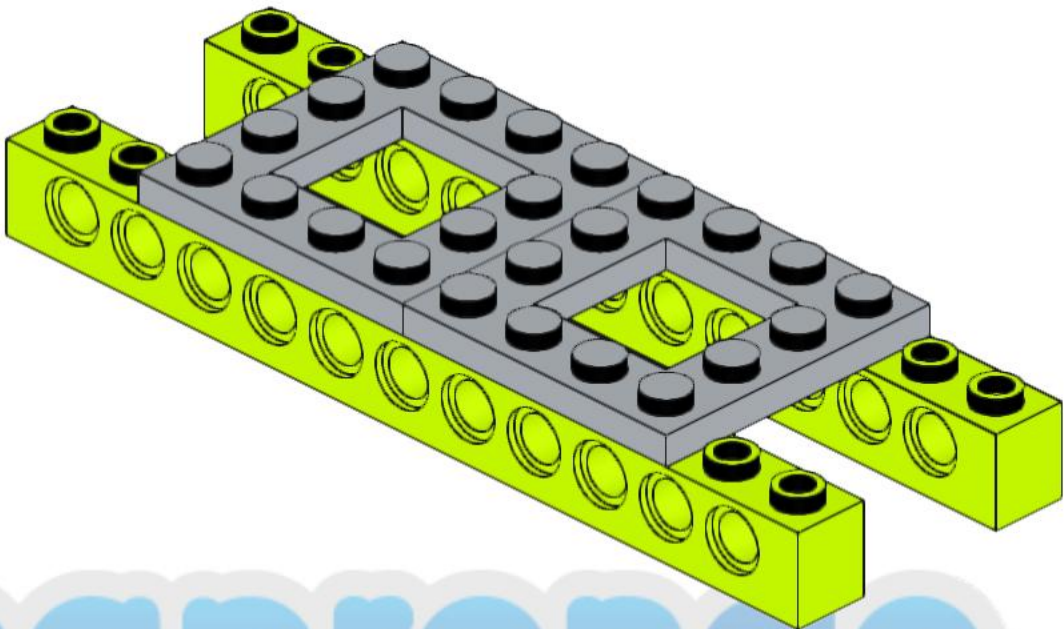
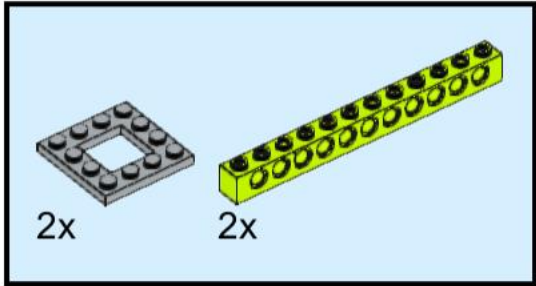
Up and Down



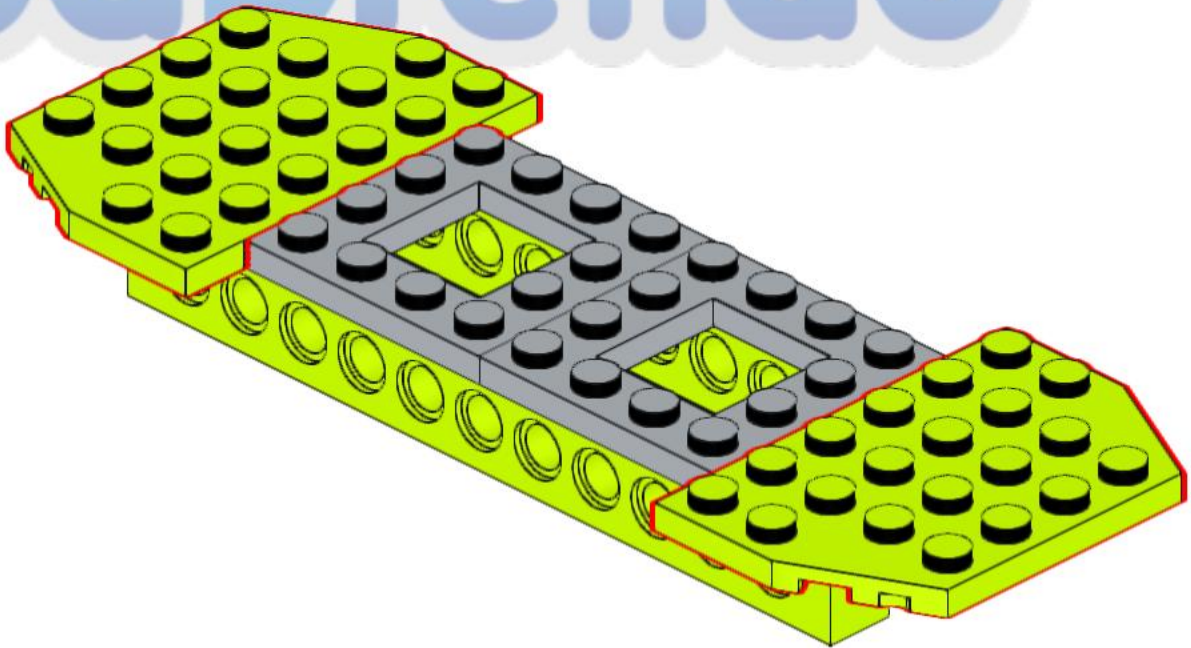
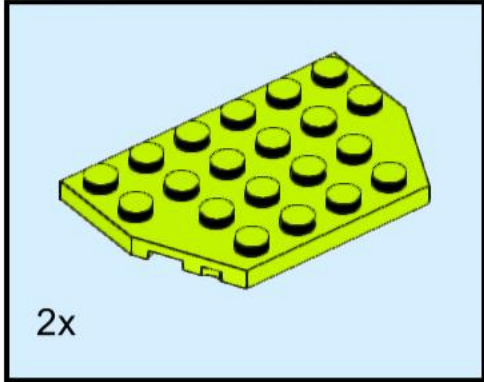
Academia creativa de tecnología

Tecnoaprendo

1

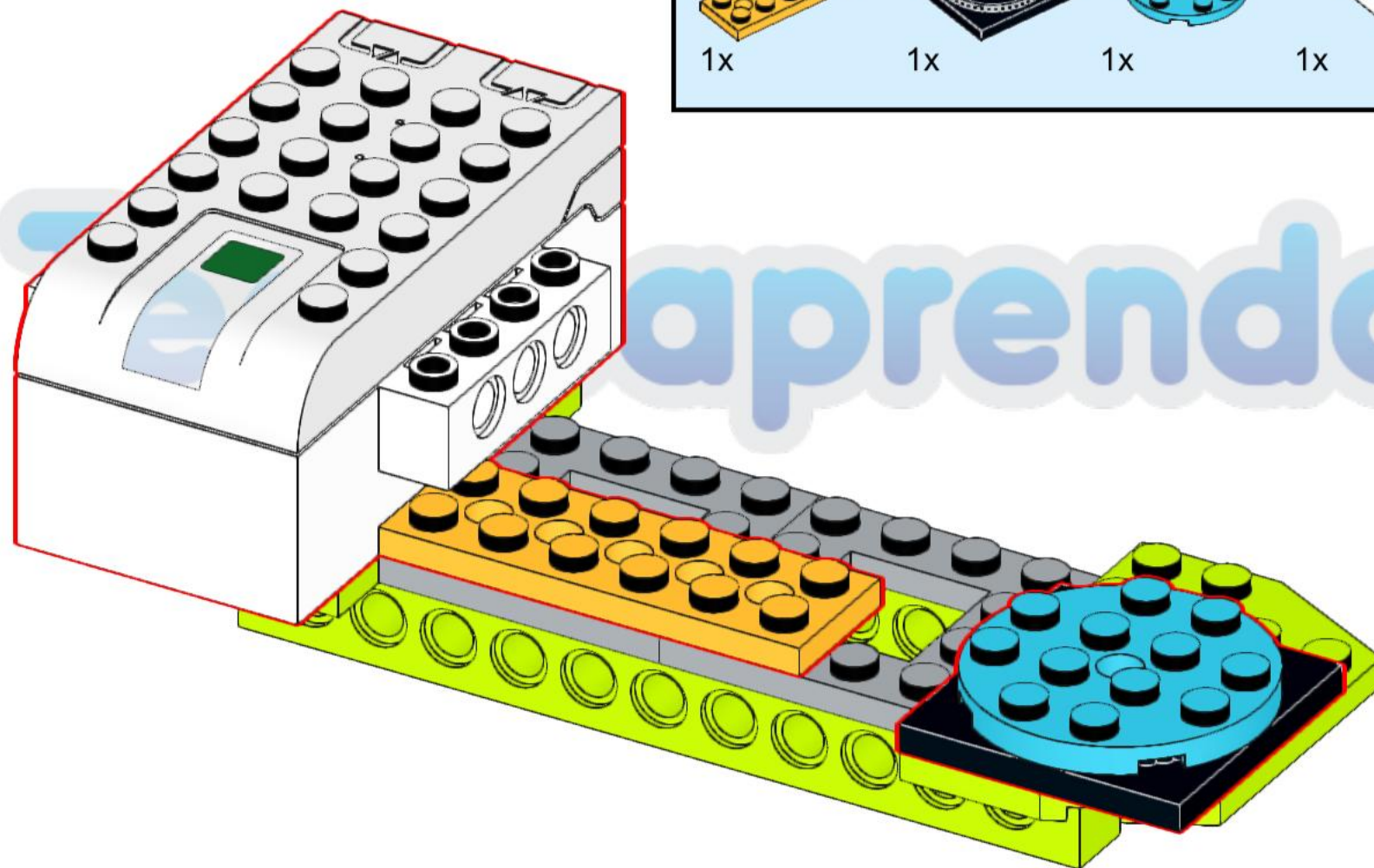
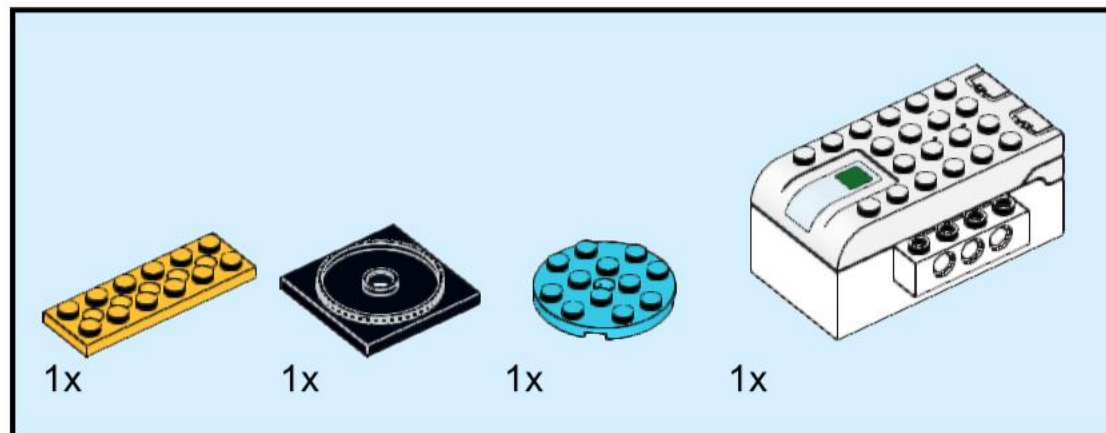


2



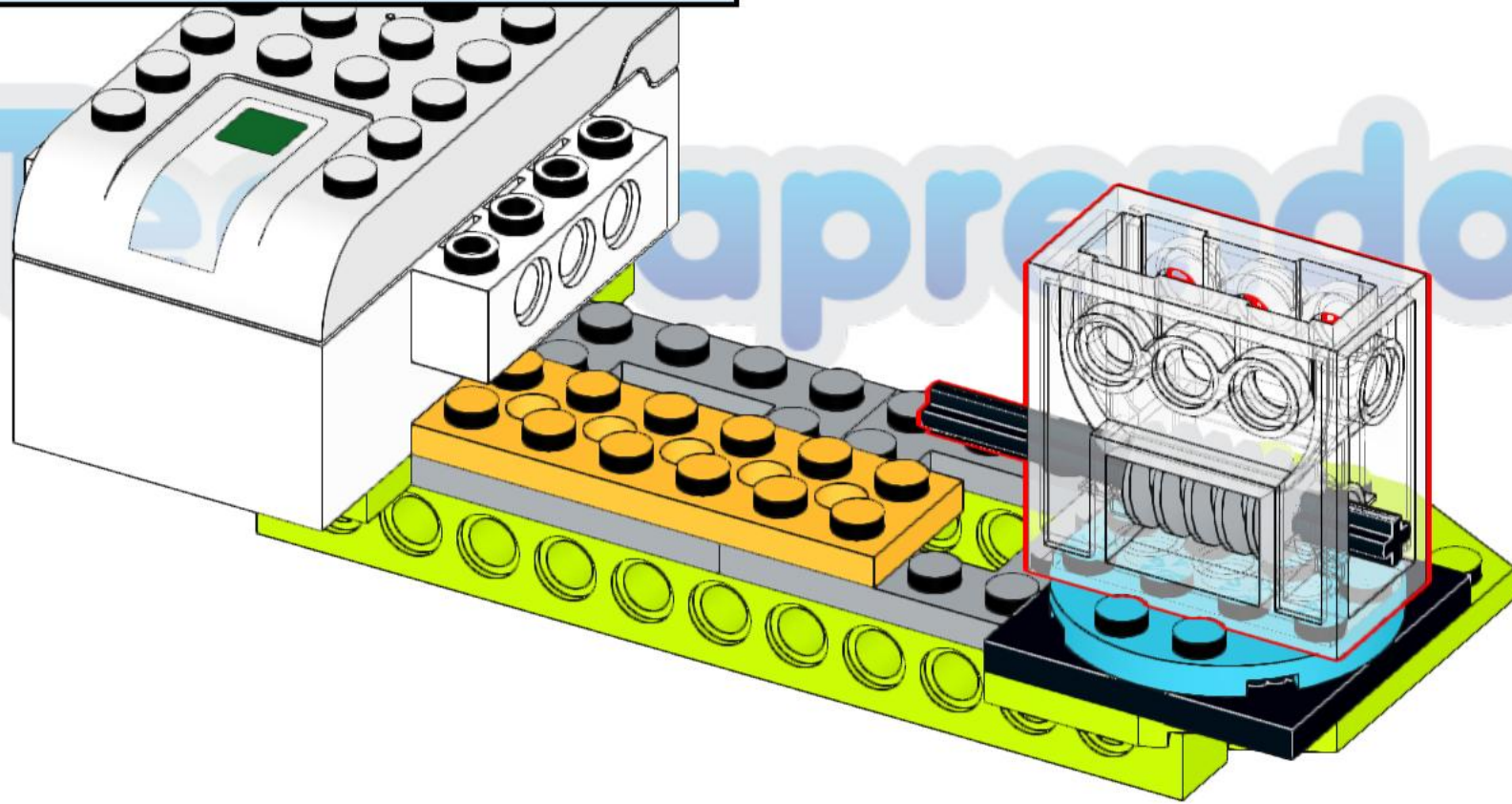
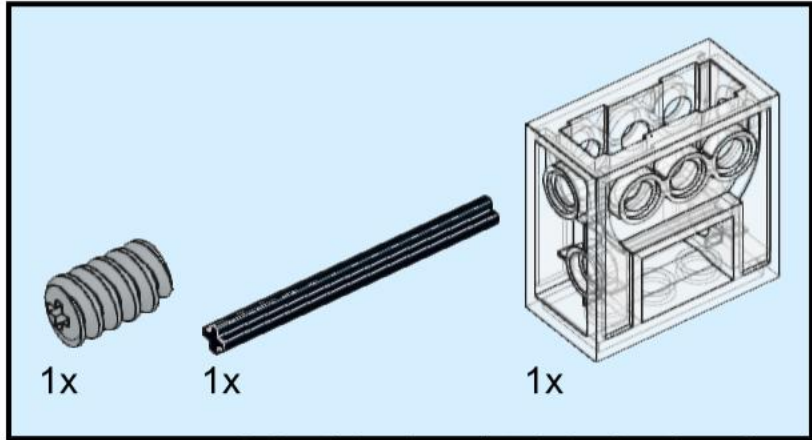
Tecnoaprendo

3

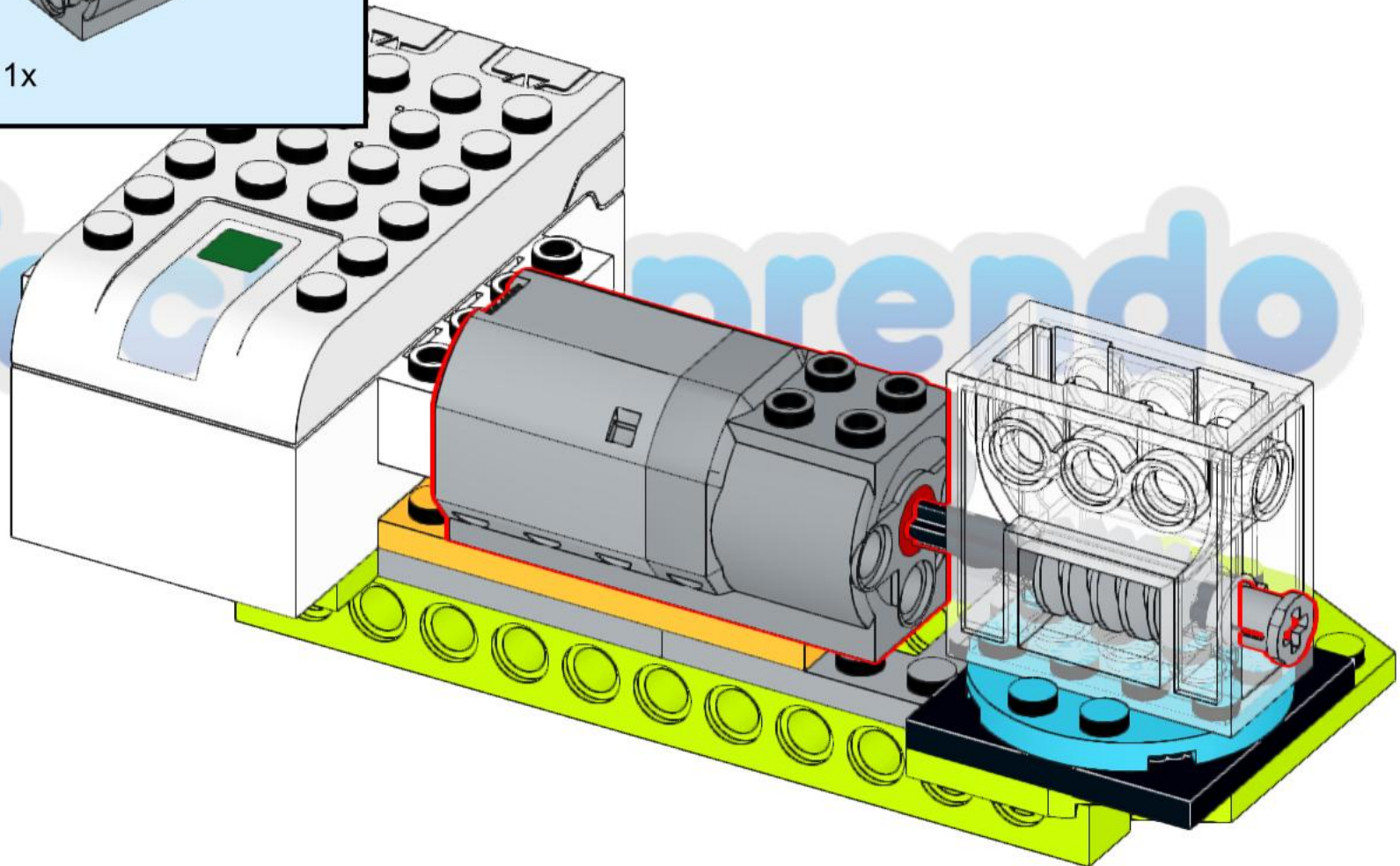
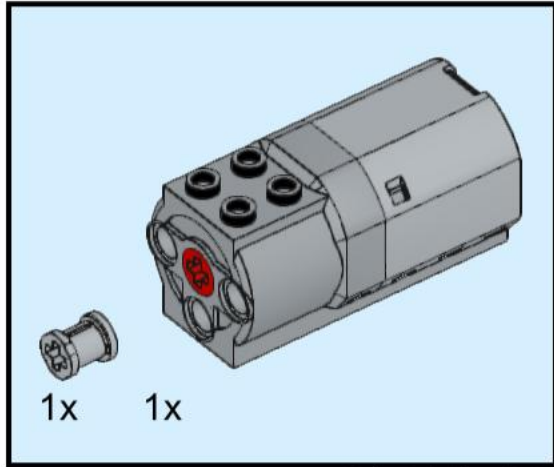


aprendo

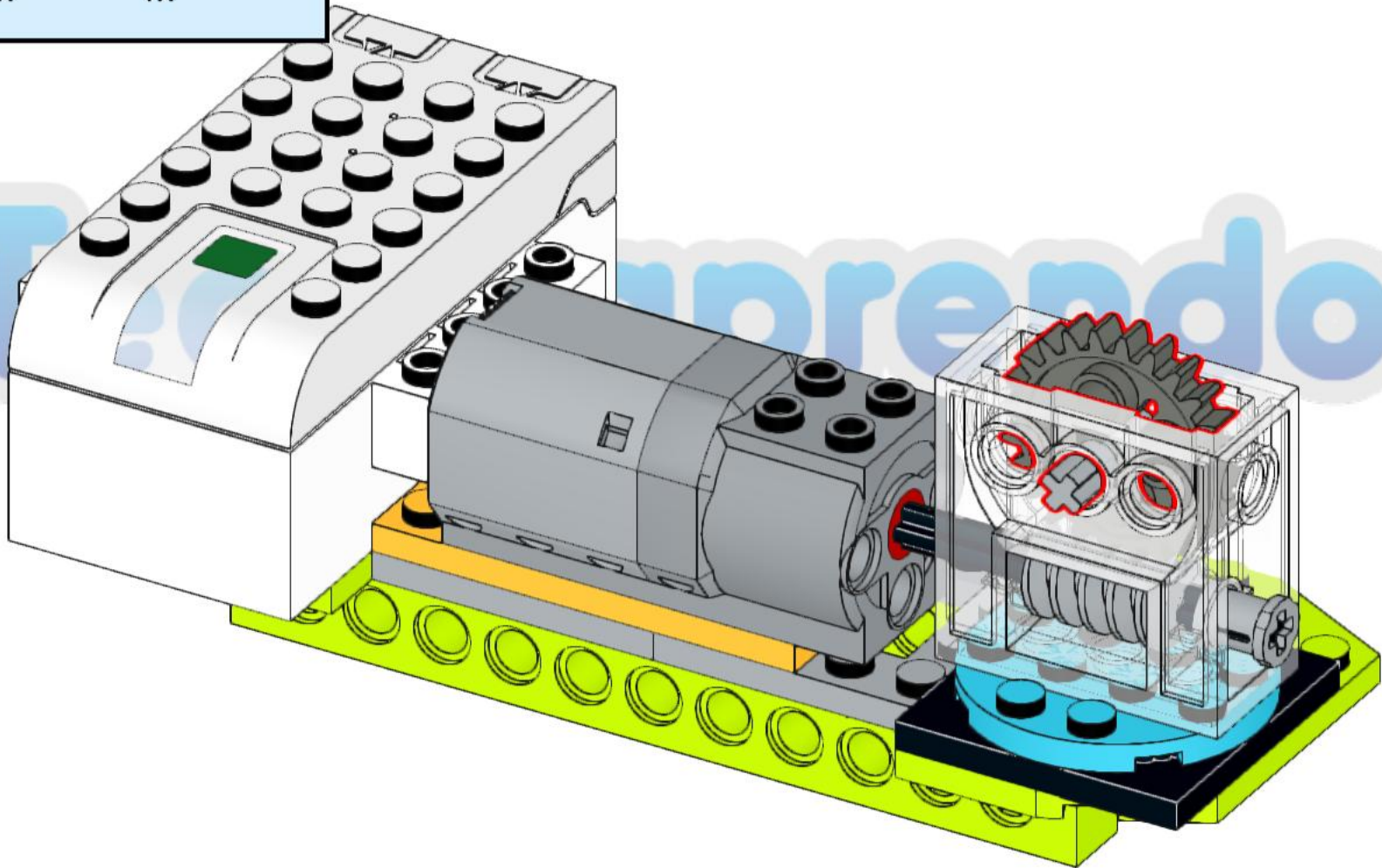
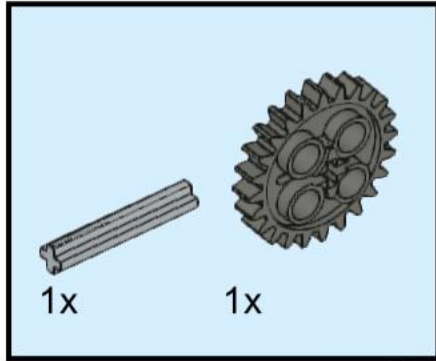
4



5

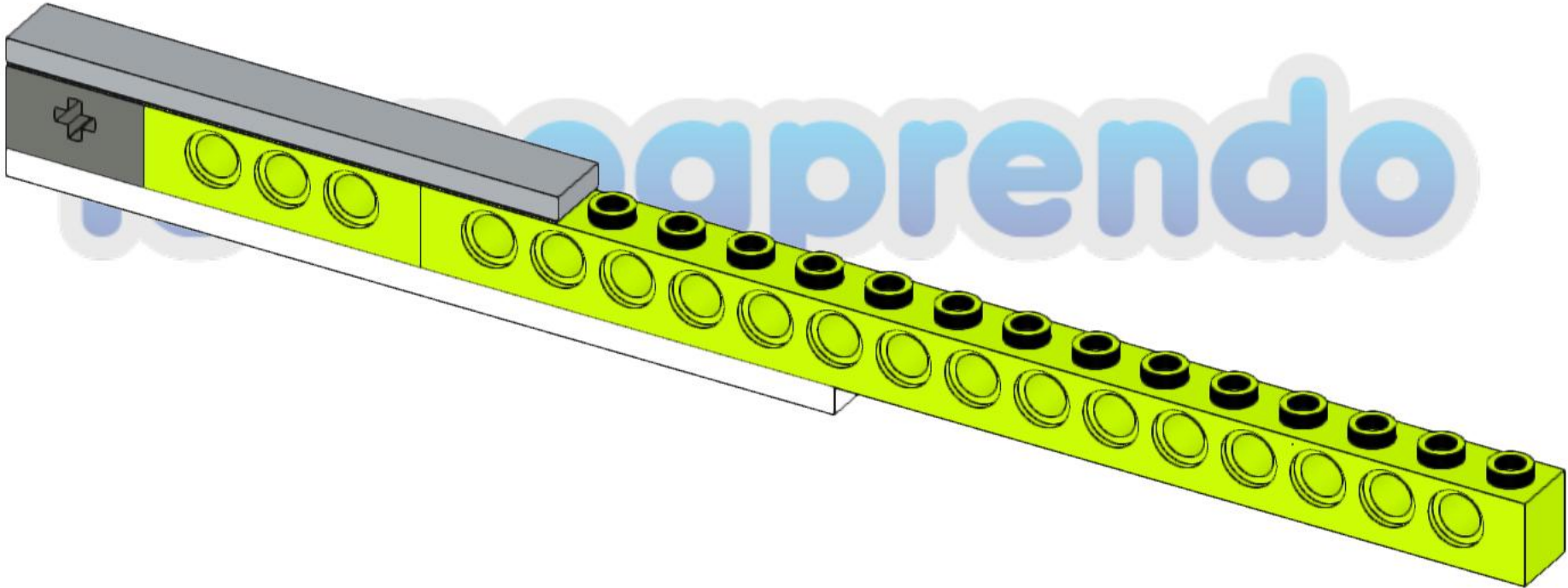
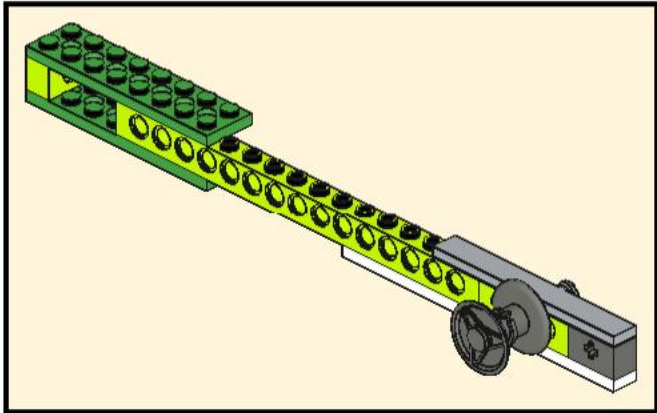
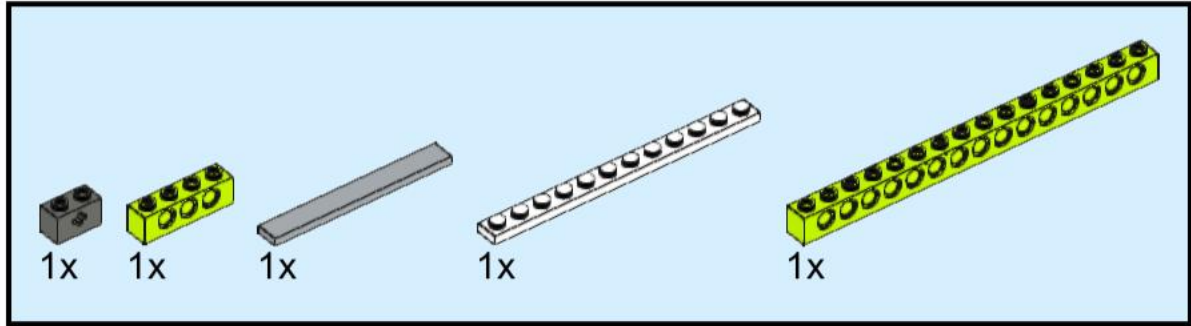


6



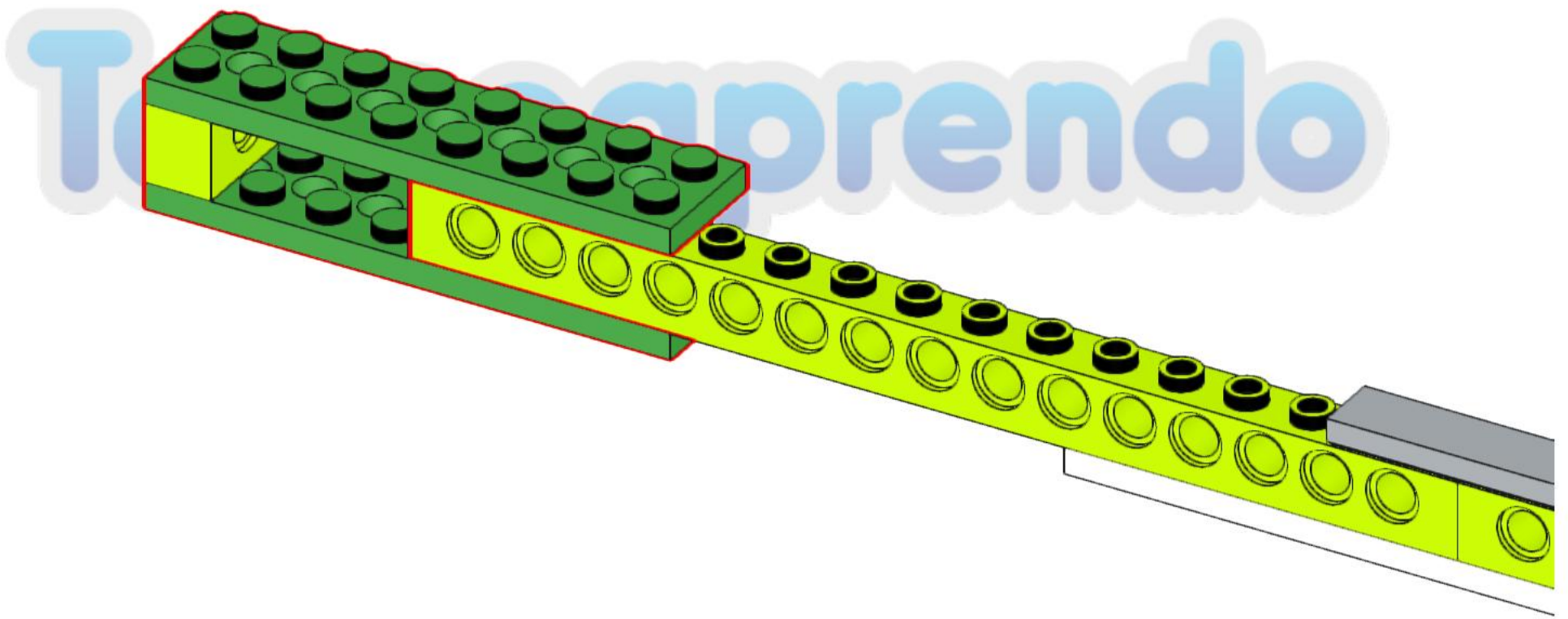
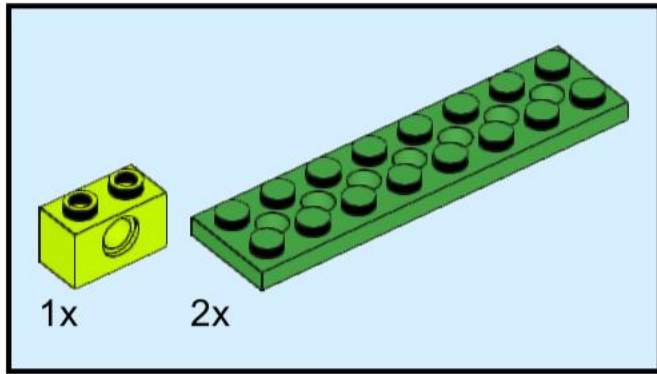
T
mprendo

7

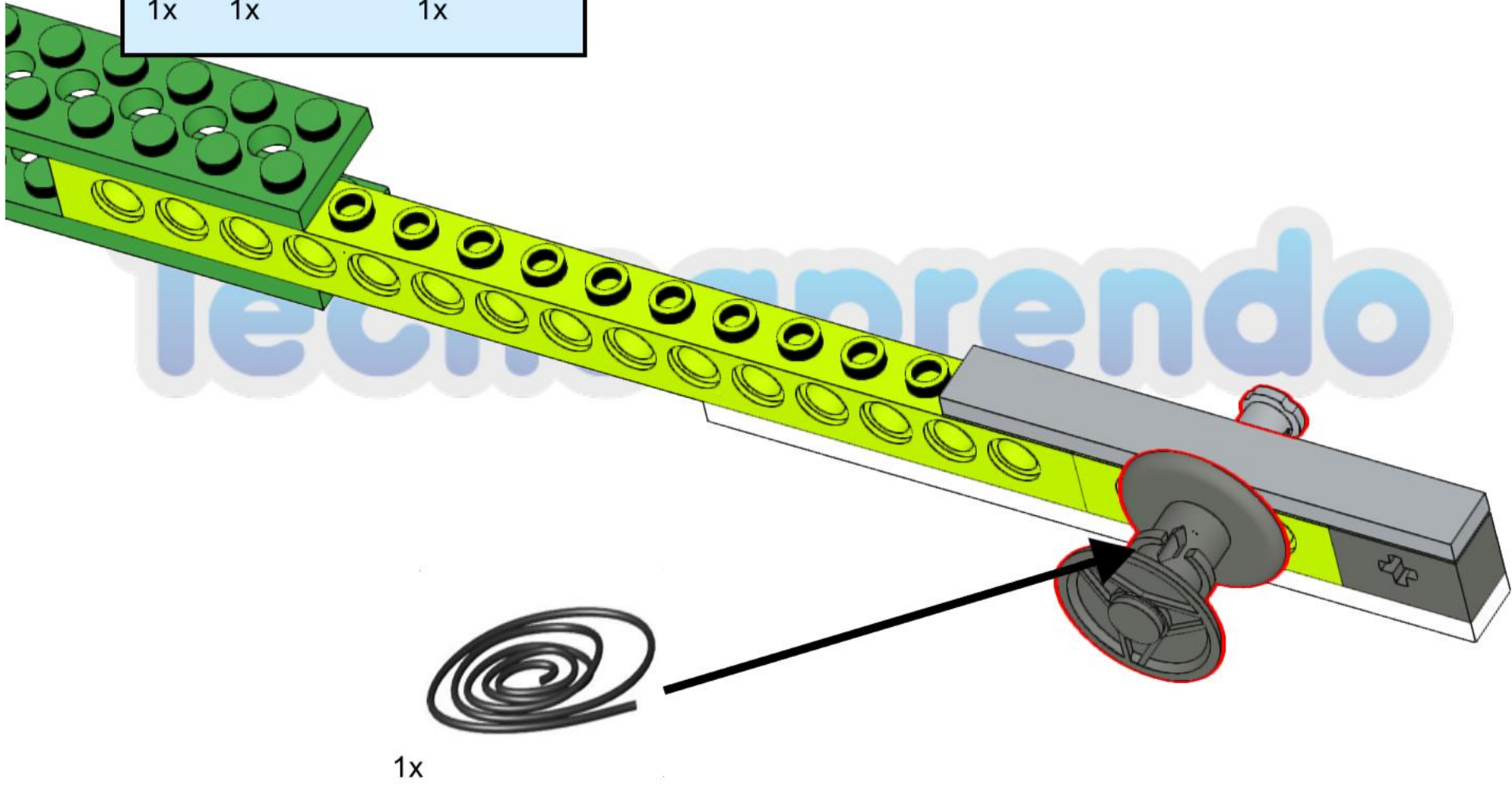
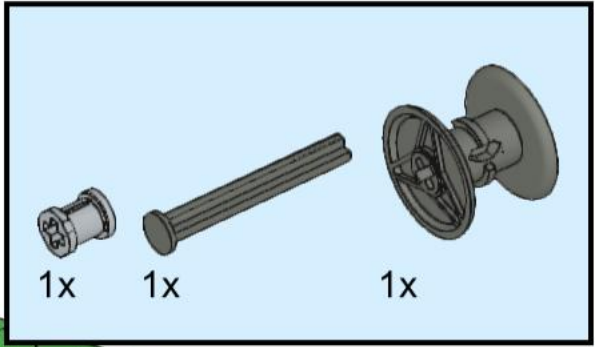


aprendo

8



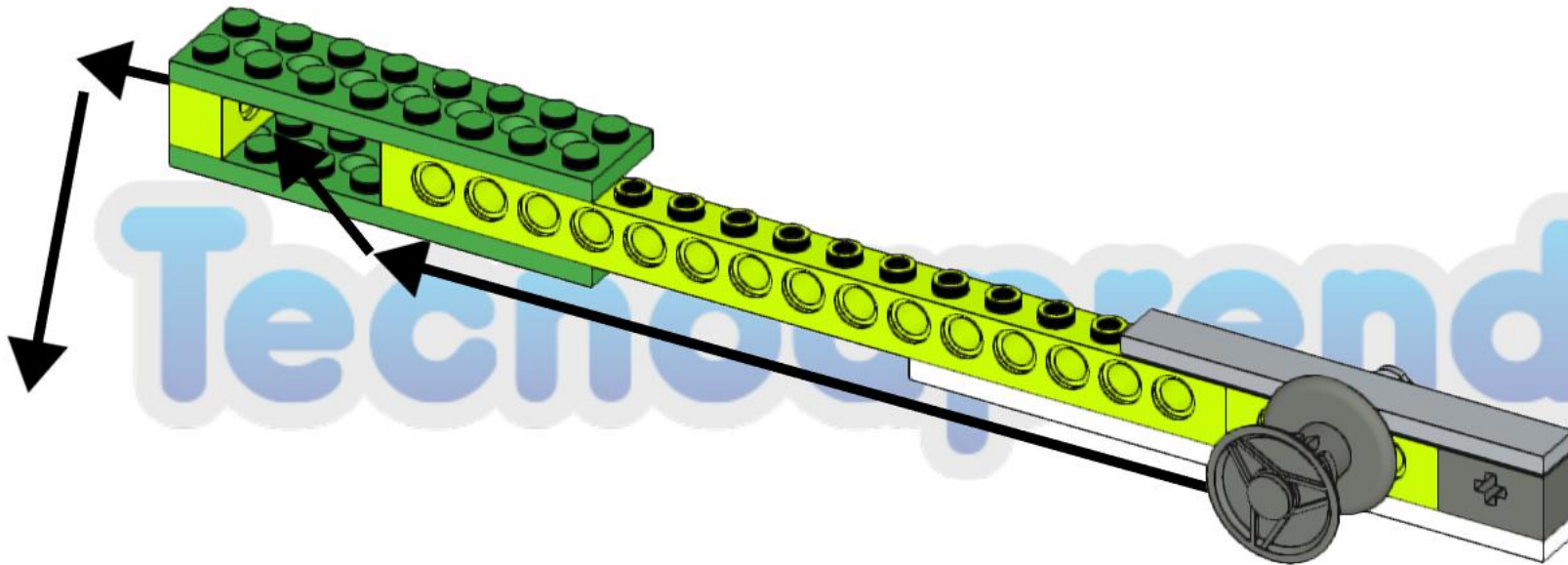
9



tecnico aprendo

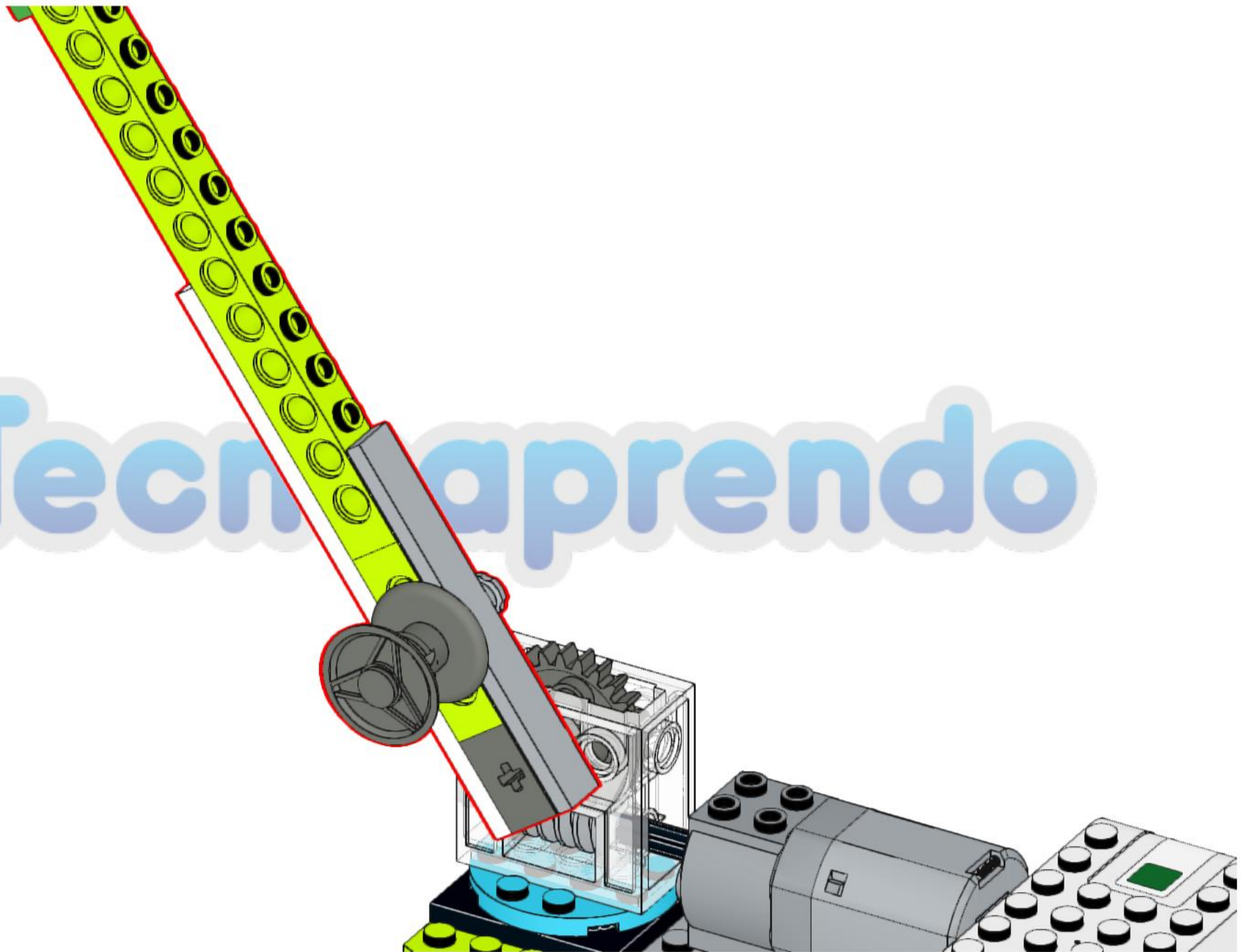
10

The arrows show the path that the black string must follow.

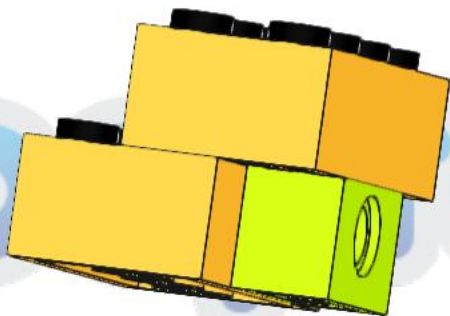
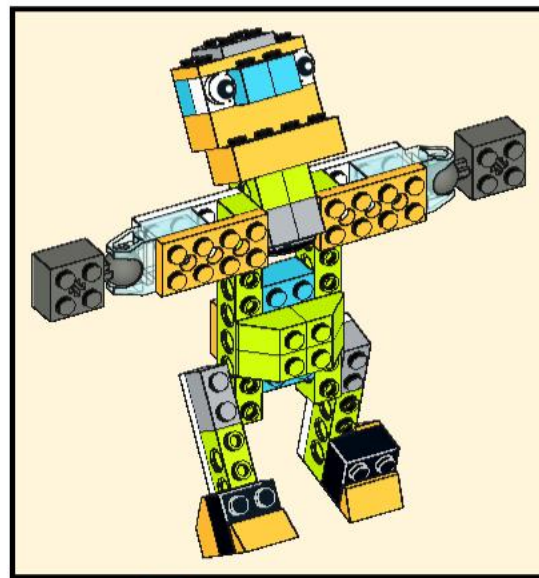
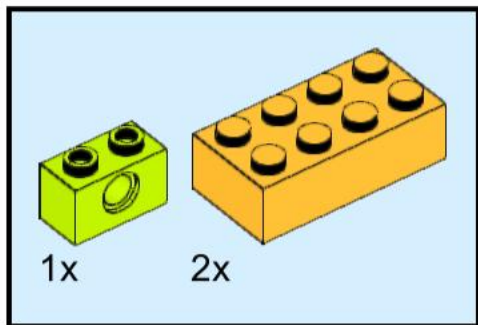


11

Tecnica aprendo

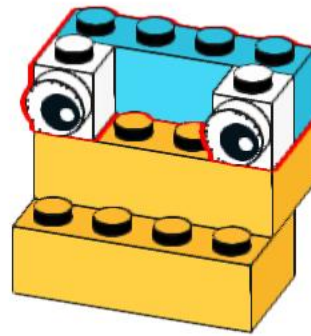
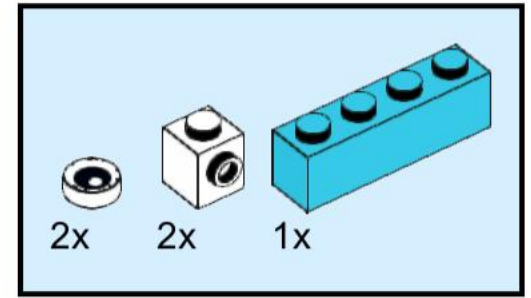


12



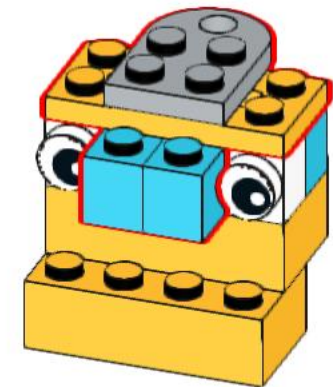
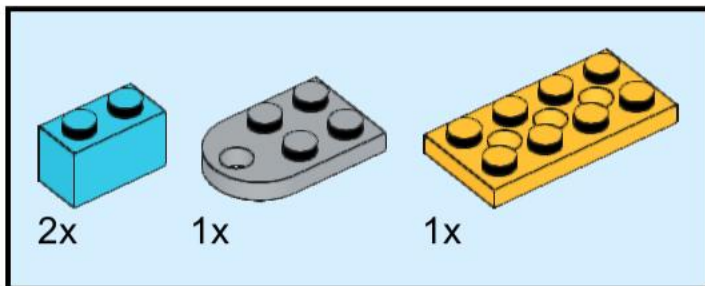
Tecnológico

13

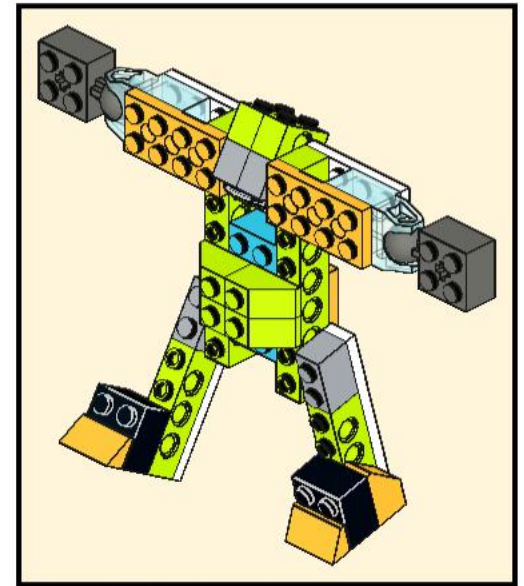
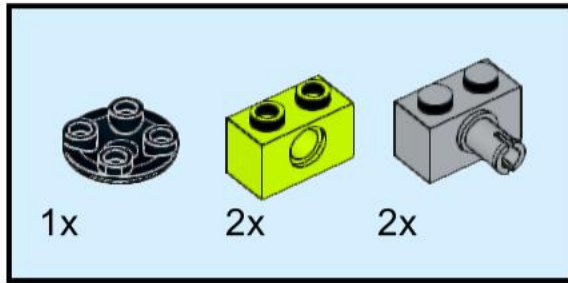


14

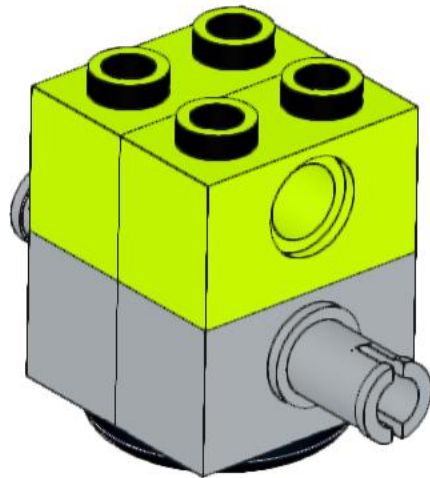
Tecnoaprendo



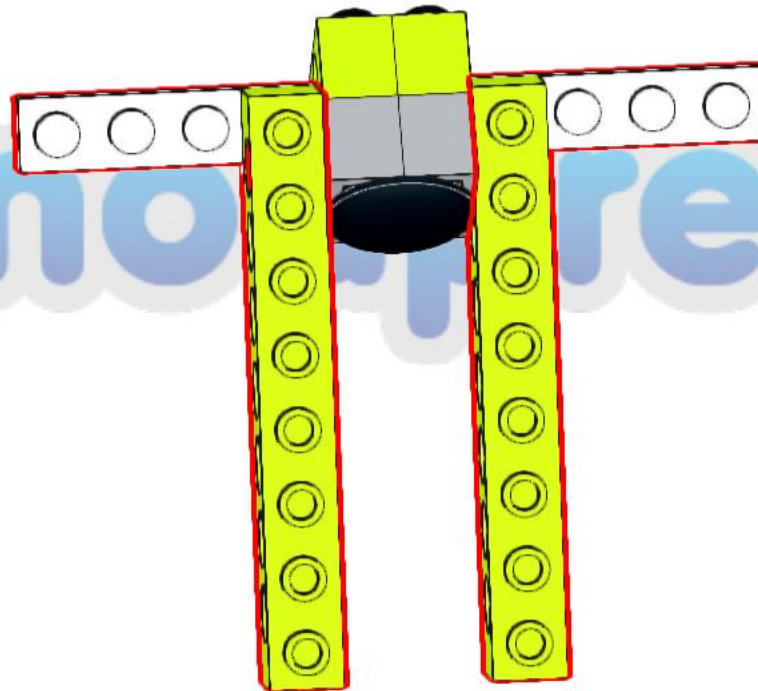
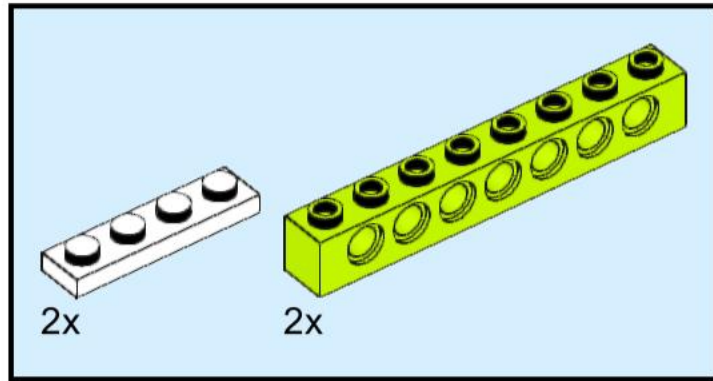
15



Tecnoaprendo

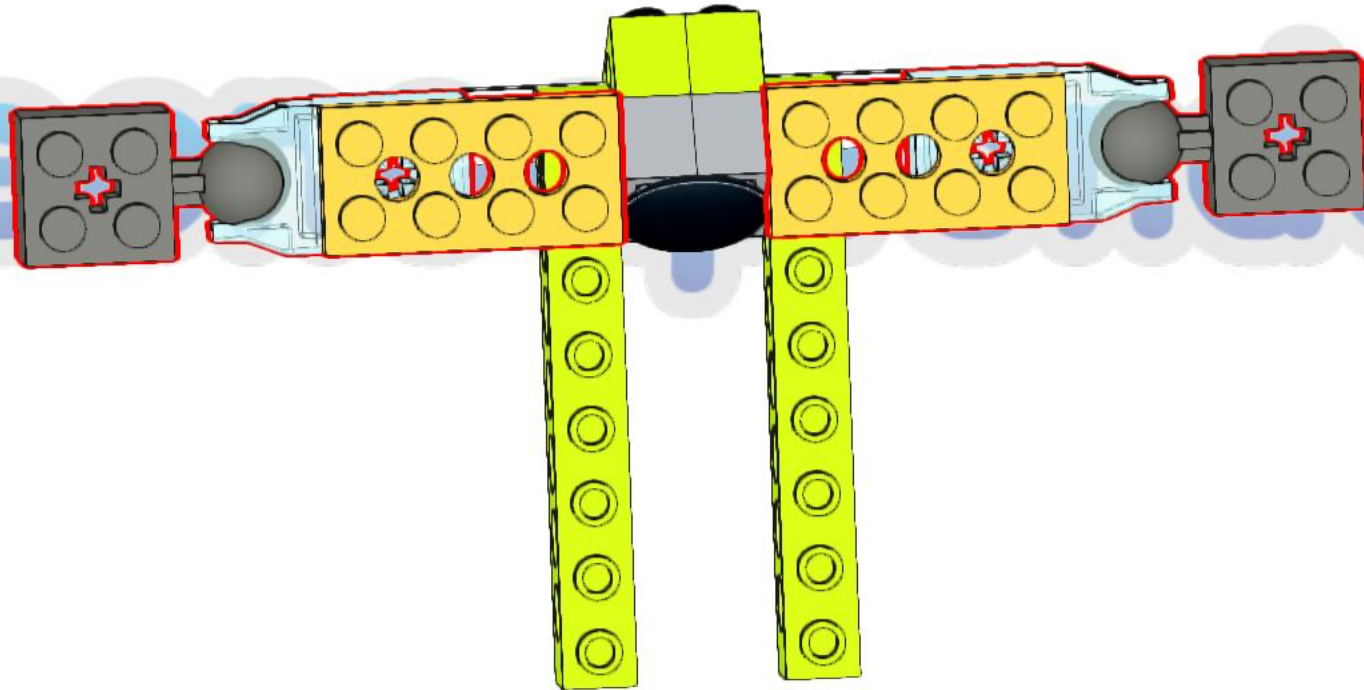
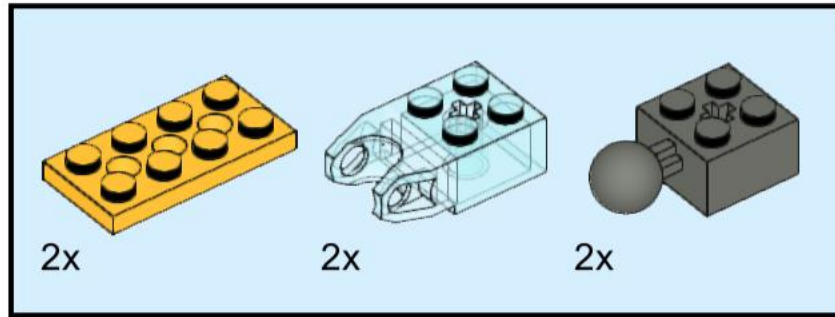


16

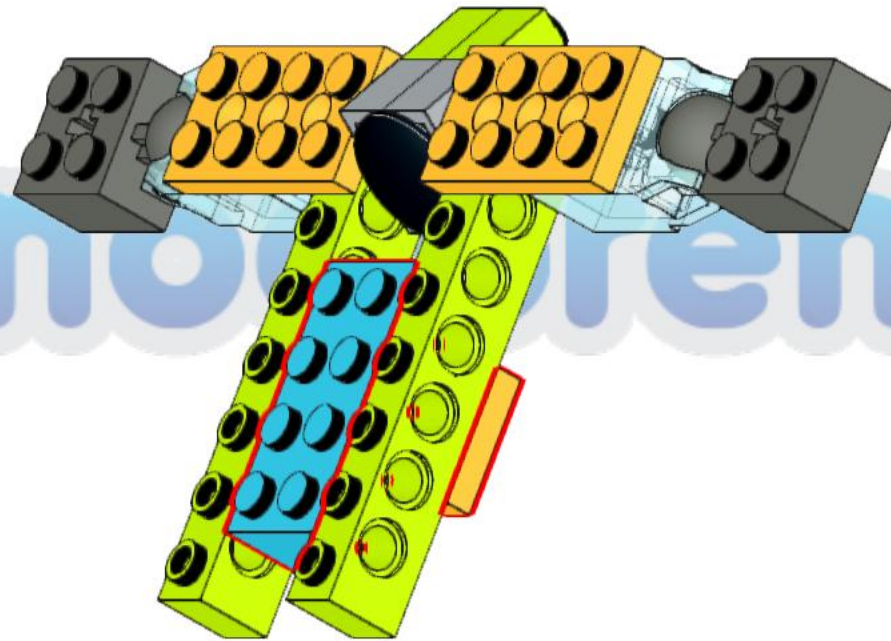
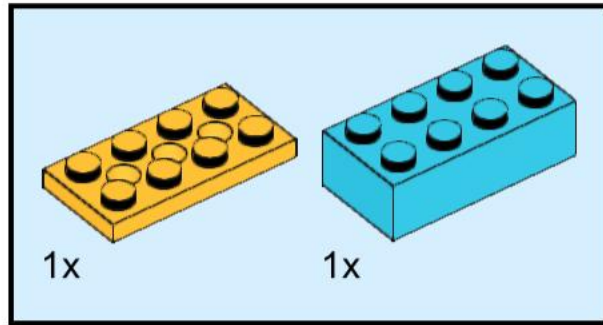


TechnoTrendo

17

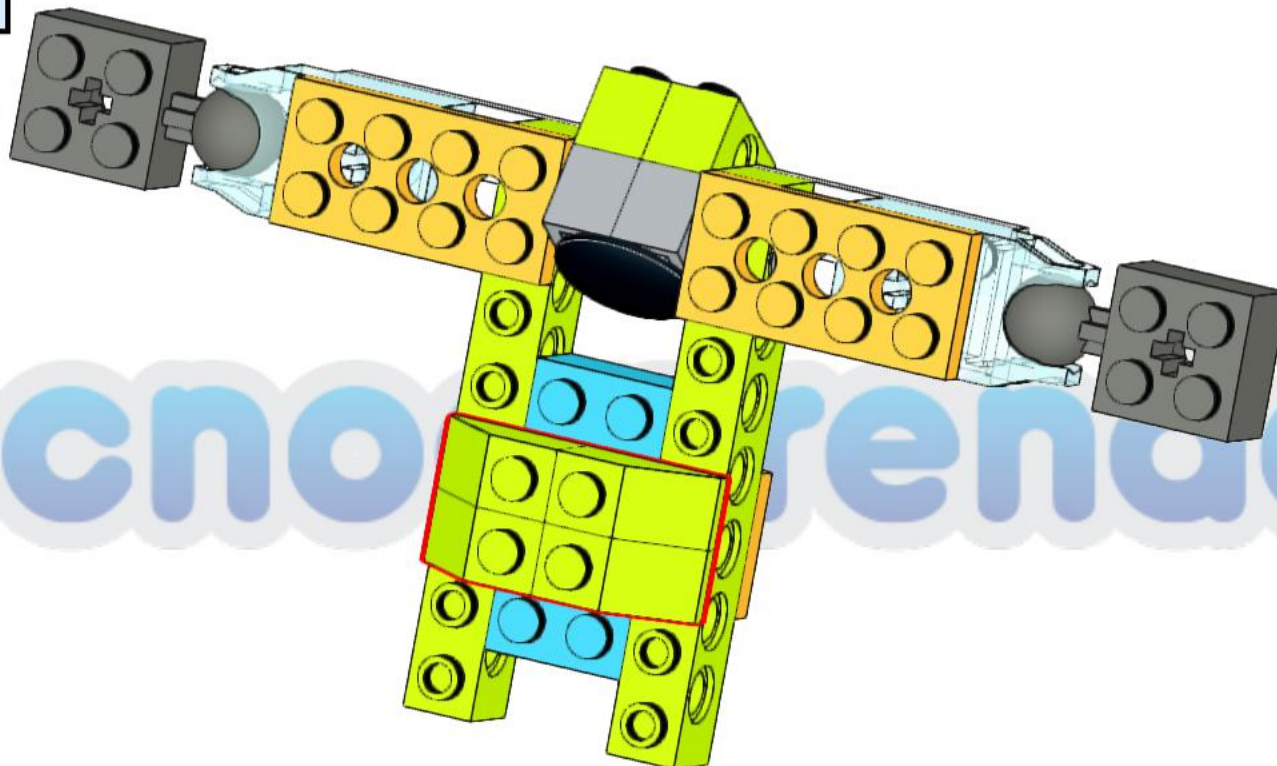
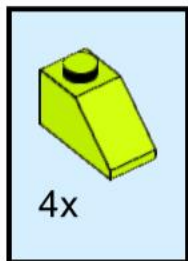


18



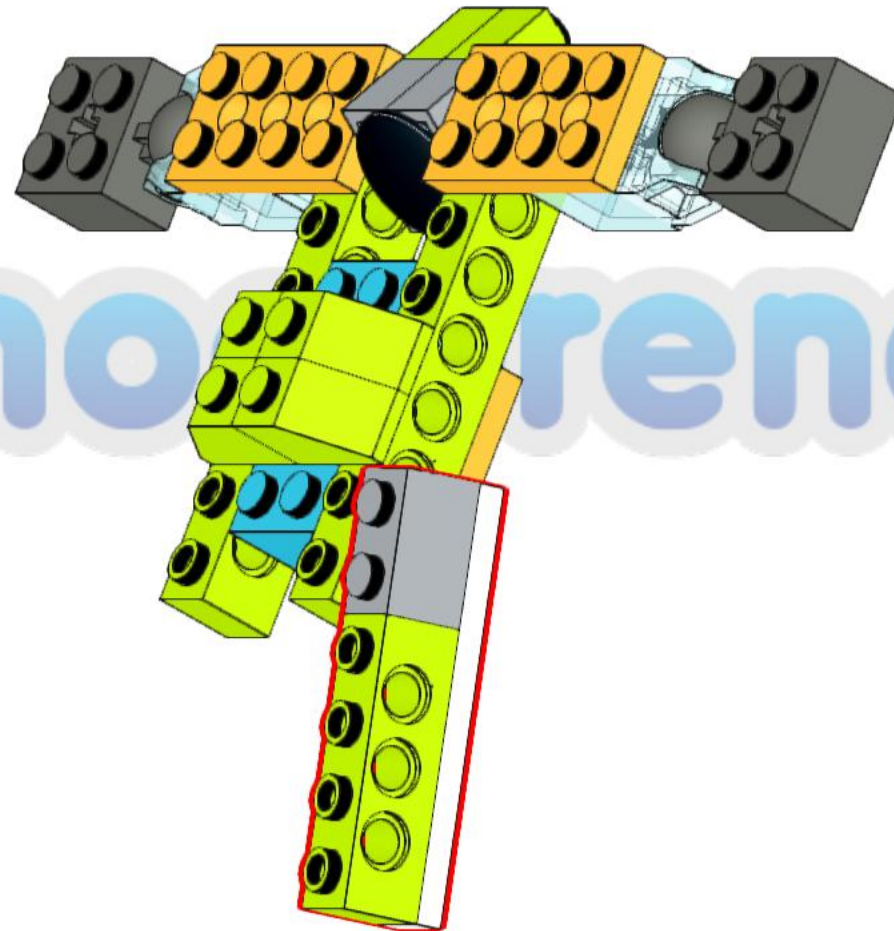
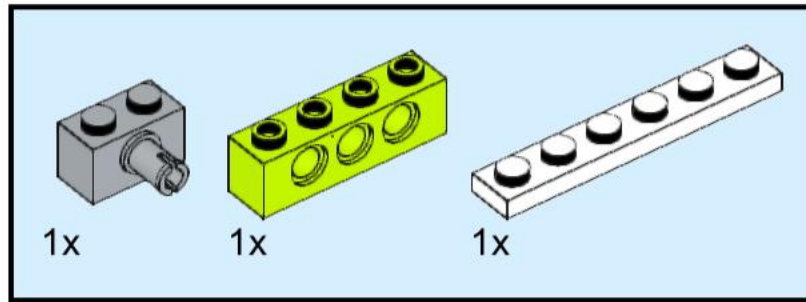
TechnoTrendo

19



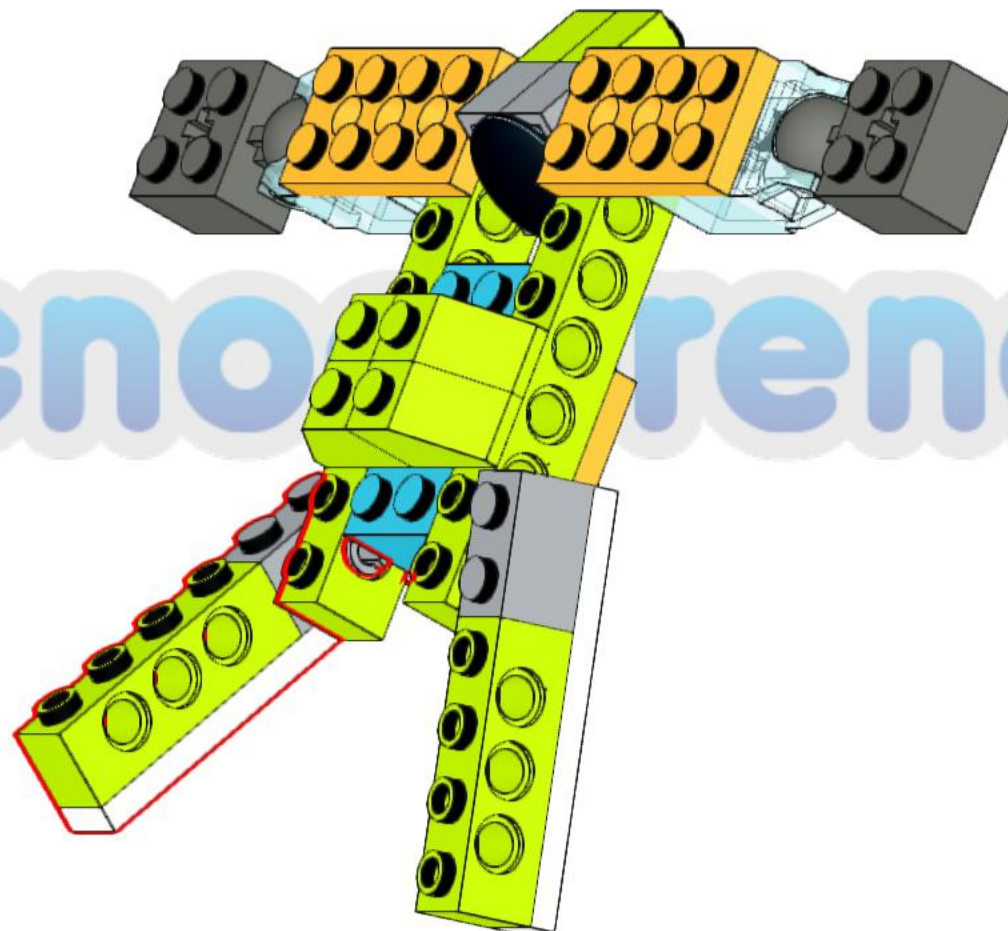
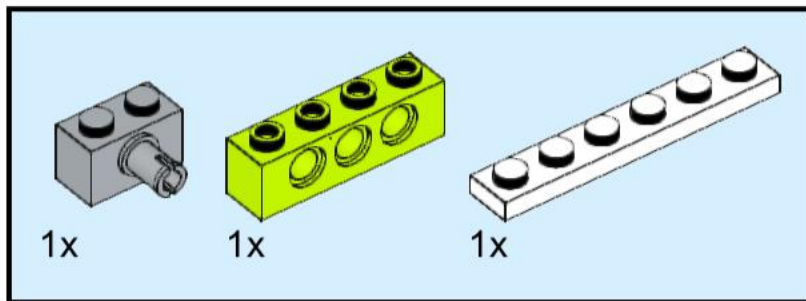
Tecnorendao

20



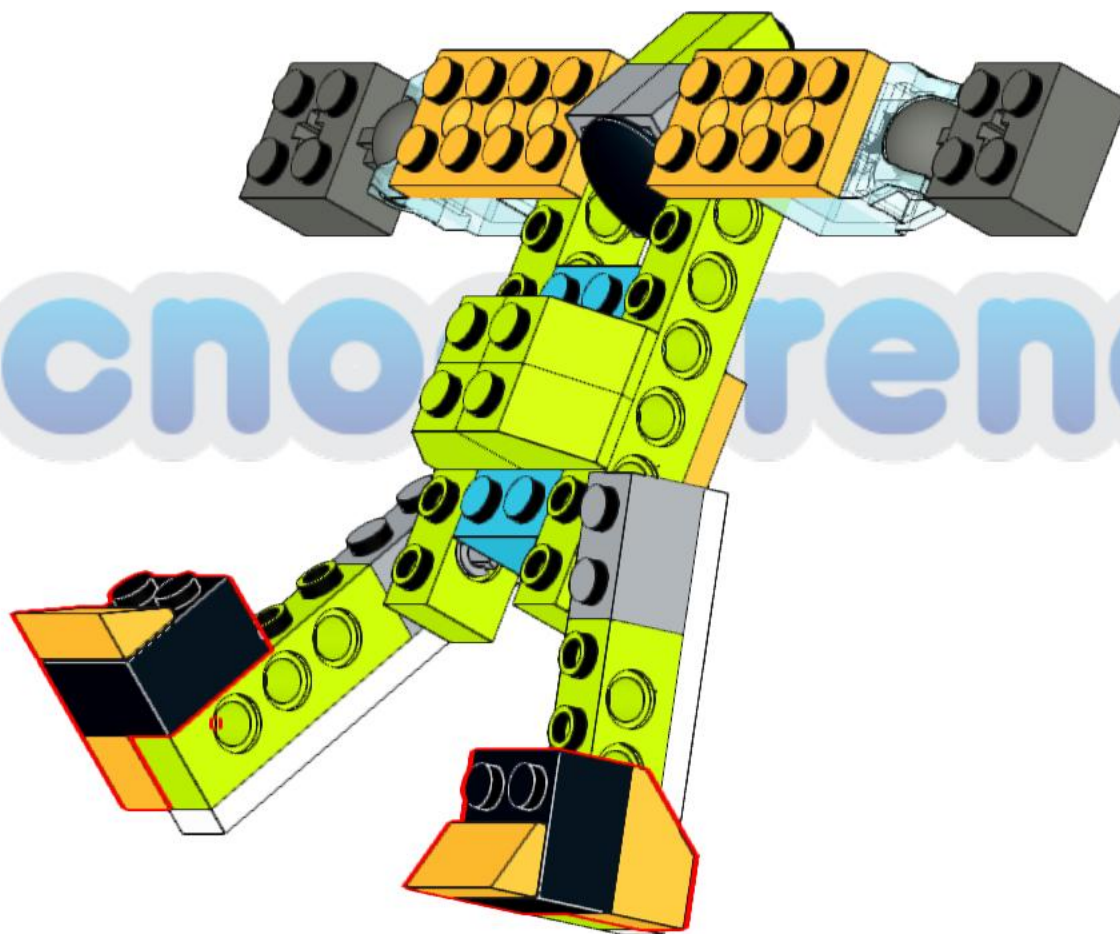
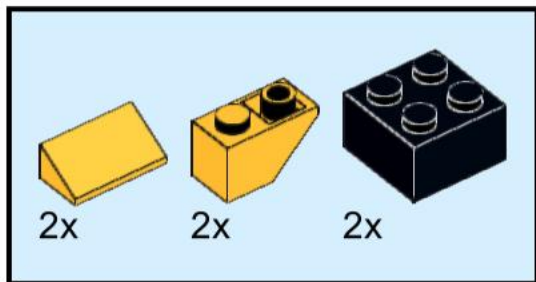
Tecnorendo

21



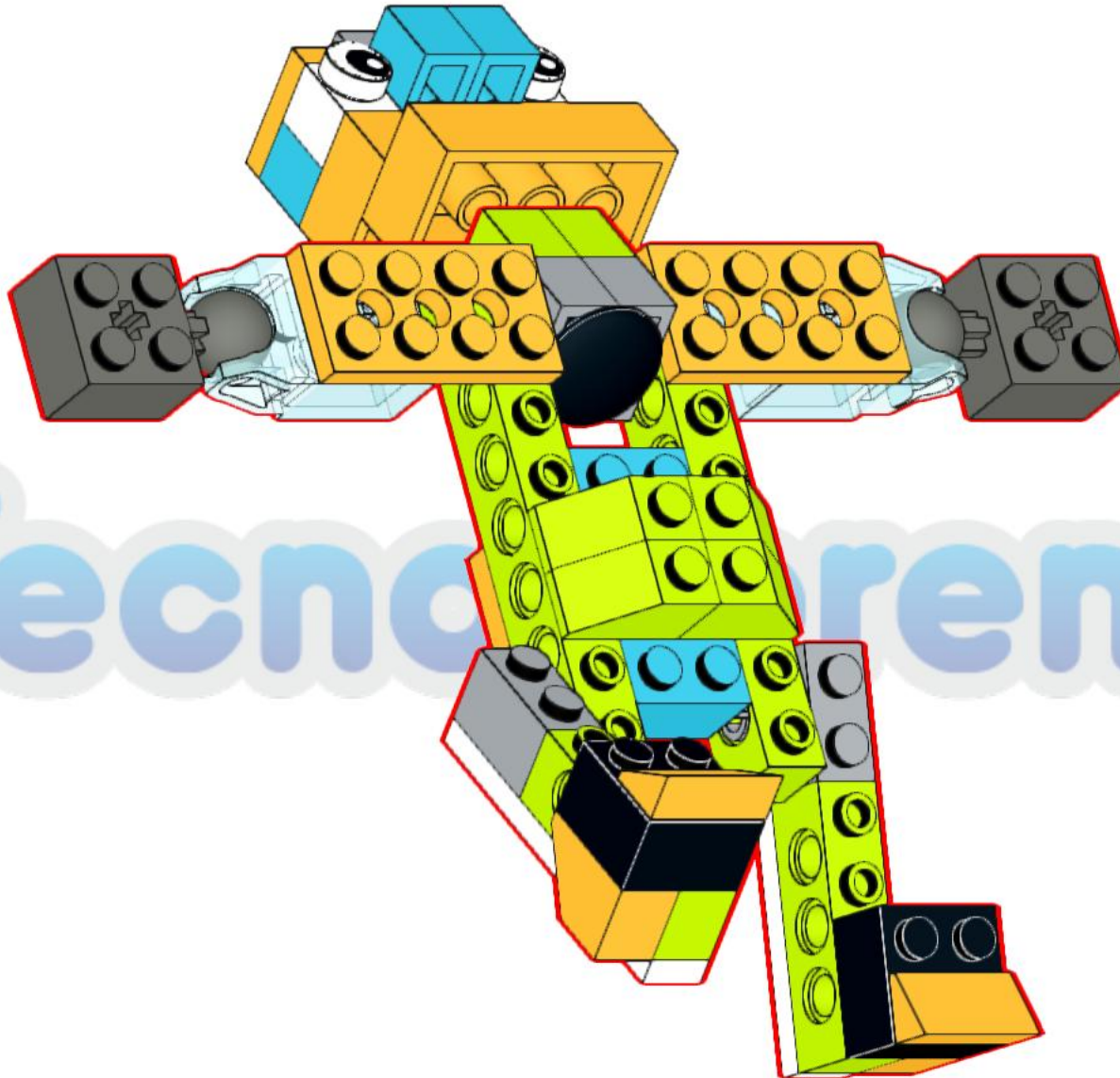
Tecnorendo

22



Tecnorendo

23



Tecnorendo

24

Tie the rope to Gulliver





U [Motor] [Color Wheel] [Motor] [Motor]

3 5

D [Motor] [Color Wheel] [Motor]

8 9

S [Color Wheel] [Motor]

0



Huge Gulliver

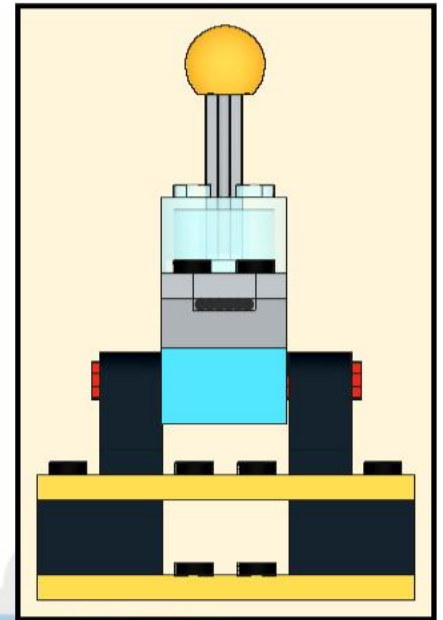
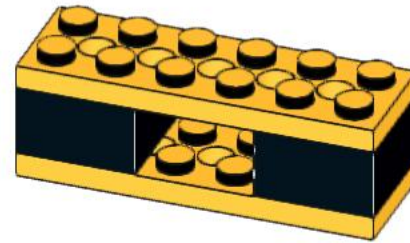
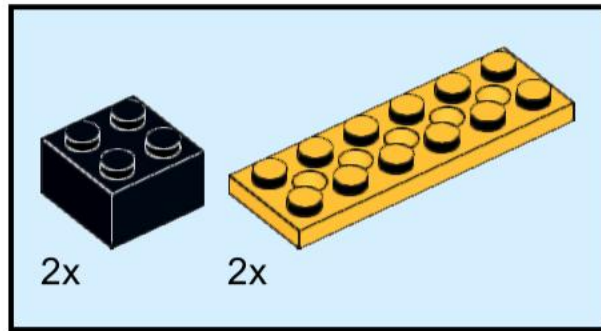
Lifting Gulliver with the tilt sensor



Academia creativa de tecnologia

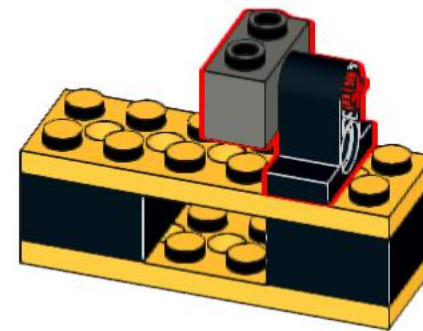
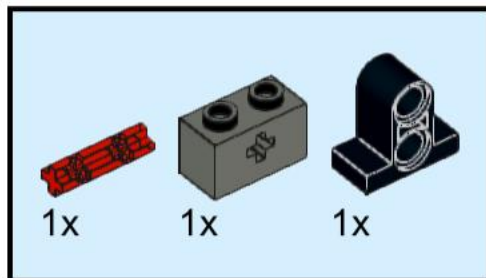
Tecnoaprendo

25

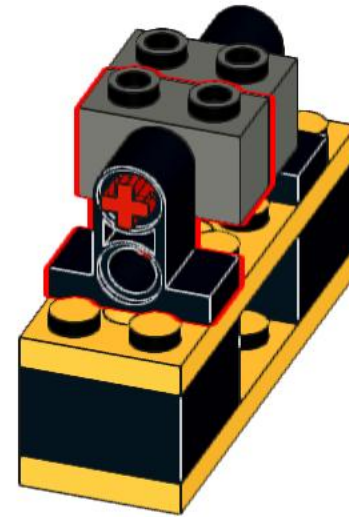
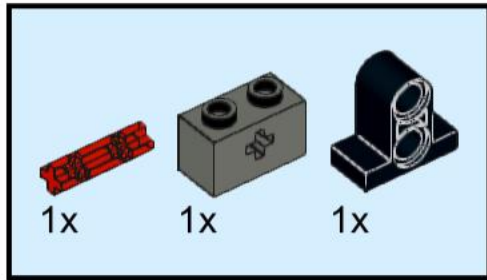


26

Tecnoaprendo

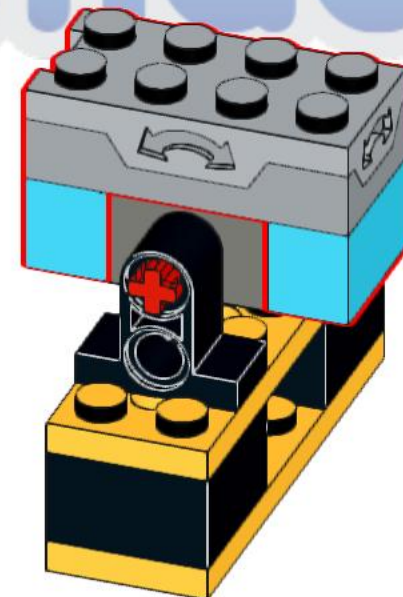
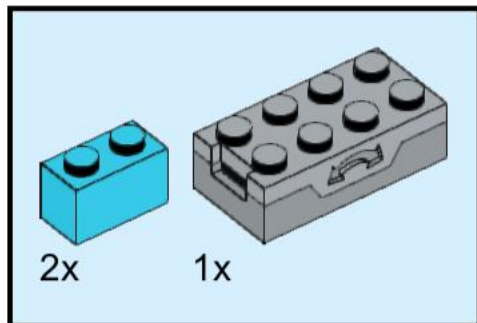


27

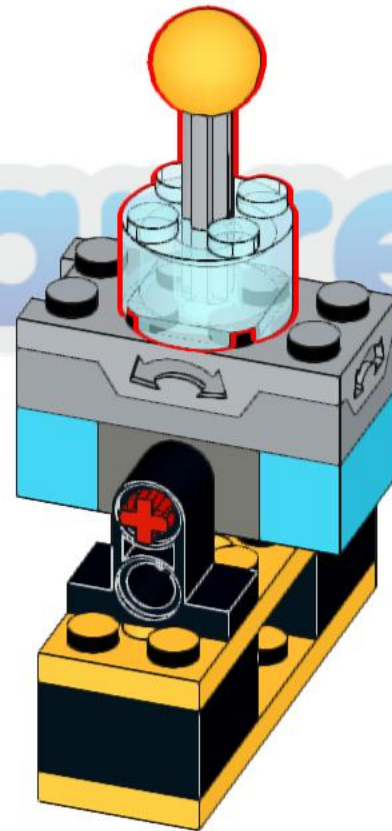
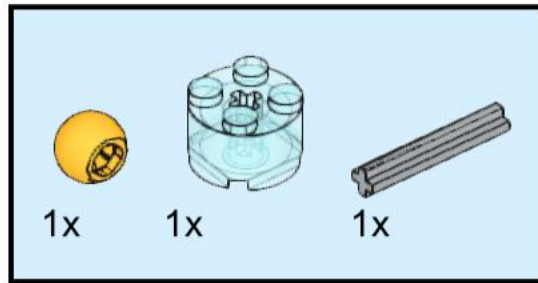


28

Tecnoaprendo

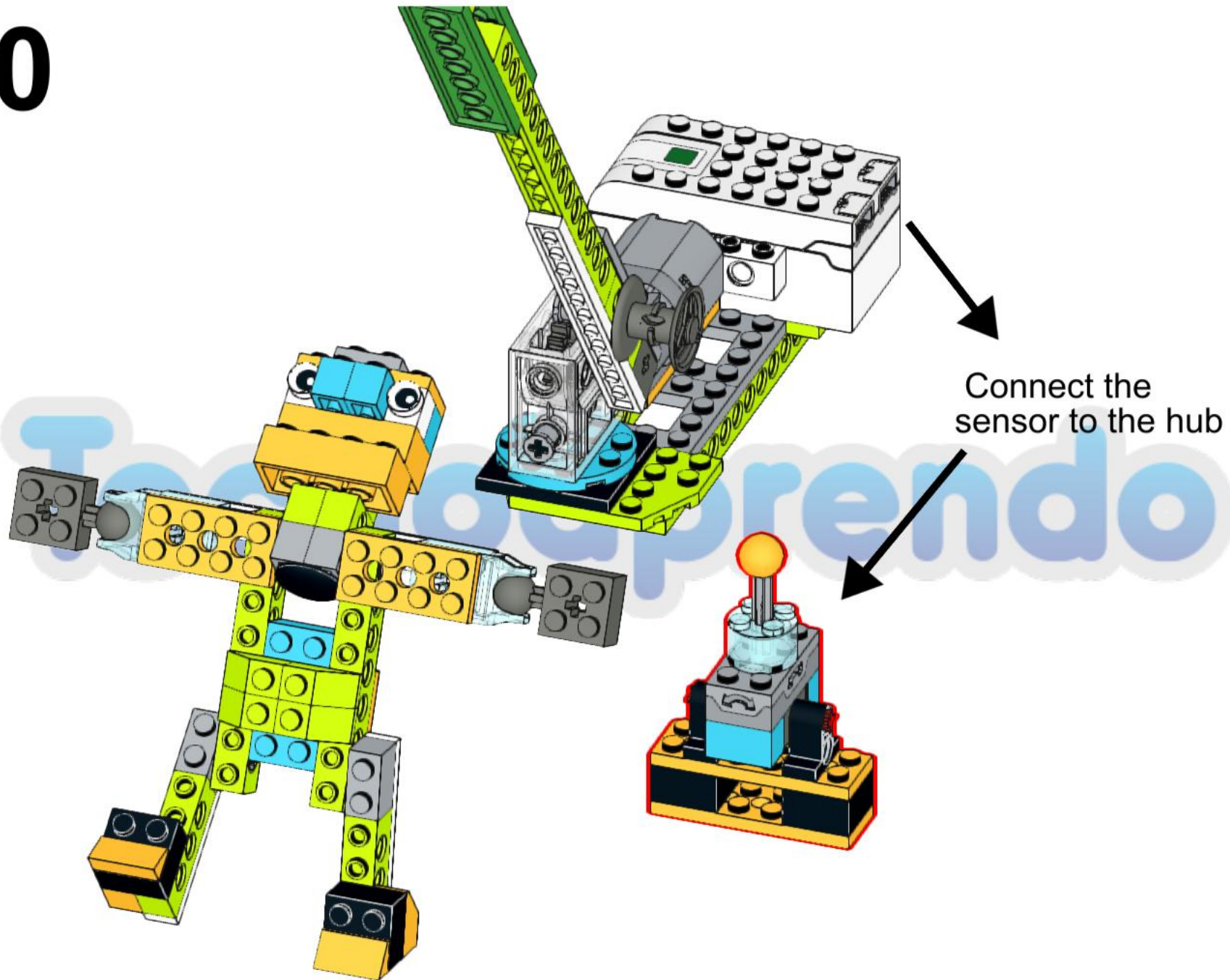


29



Tecnologia

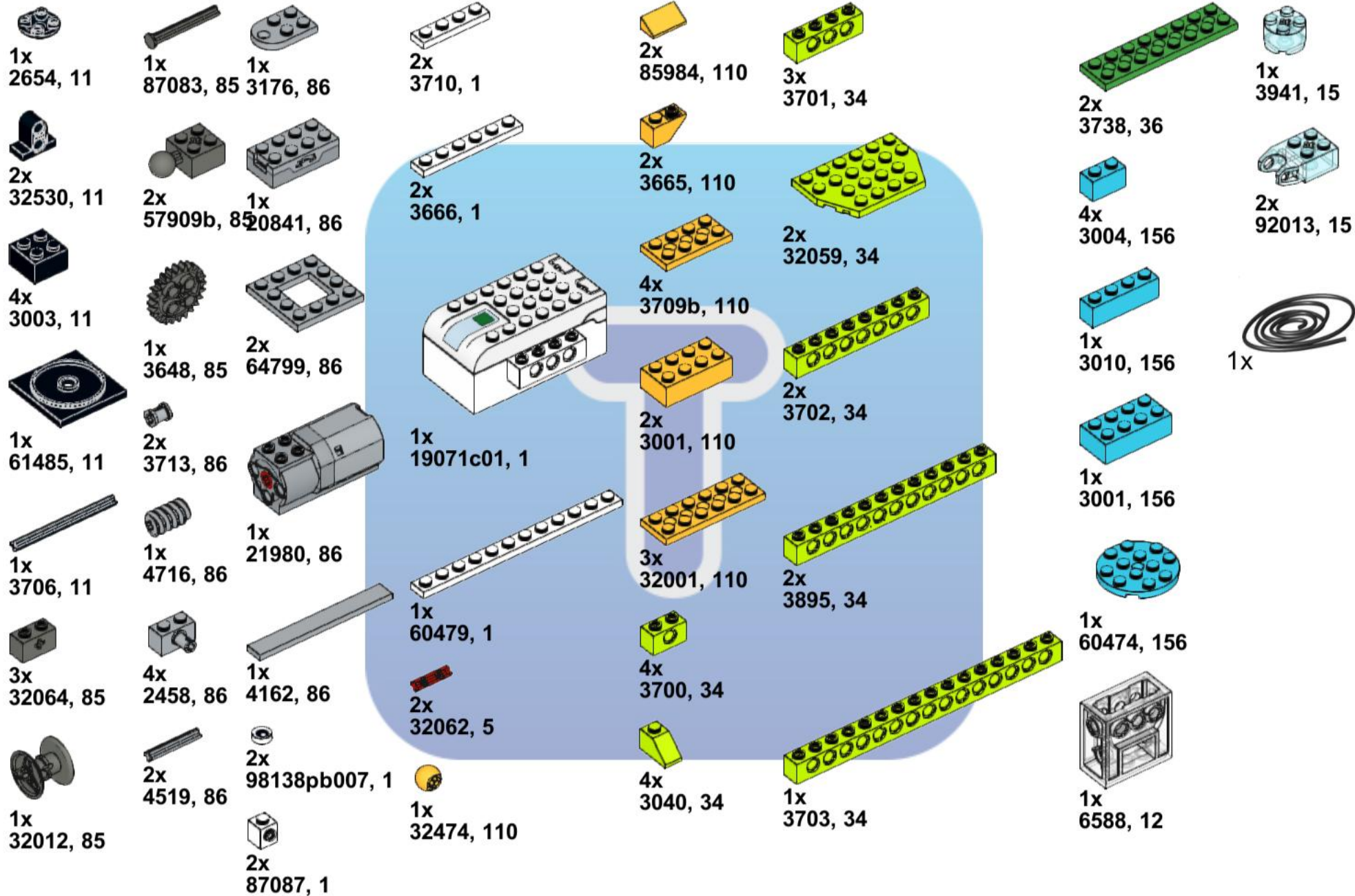
30





Depending on the tilt of the sensor, the crane will raise or seat Huge Gulliver





1x
2654, 11

1x
87083, 85

1x
3176, 86

2x
3710, 1

2x
85984, 110

3x
3701, 34

2x
3738, 36

1x
3941, 15

2x
32530, 11

2x
57909b, 85

1x
20841, 86

2x
3666, 1

2x
3665, 110

2x
32059, 34

4x
3004, 156

2x
92013, 15

4x
3003, 11

1x
3648, 85

2x
64799, 86

1x
19071c01, 1

4x
3709b, 110

2x
3702, 34

1x
3010, 156

1x

1x
61485, 11

2x
3713, 86

1x
60479, 1

2x
3001, 110

2x
3702, 34

1x
3001, 156

1x
3706, 11

1x
4716, 86

1x
21980, 86

2x
32062, 5

3x
32001, 110

2x
3895, 34

1x
60474, 156

3x
32064, 85

4x
2458, 86

1x
4162, 86

2x
32062, 5

4x
3700, 34

1x
3703, 34

1x
60474, 156

1x
32012, 85

2x
4519, 86

2x
98138pb007, 1

1x
32474, 110

4x
3040, 34

1x
6588, 12

2x
87087, 1