

Academia creativa de tecnología

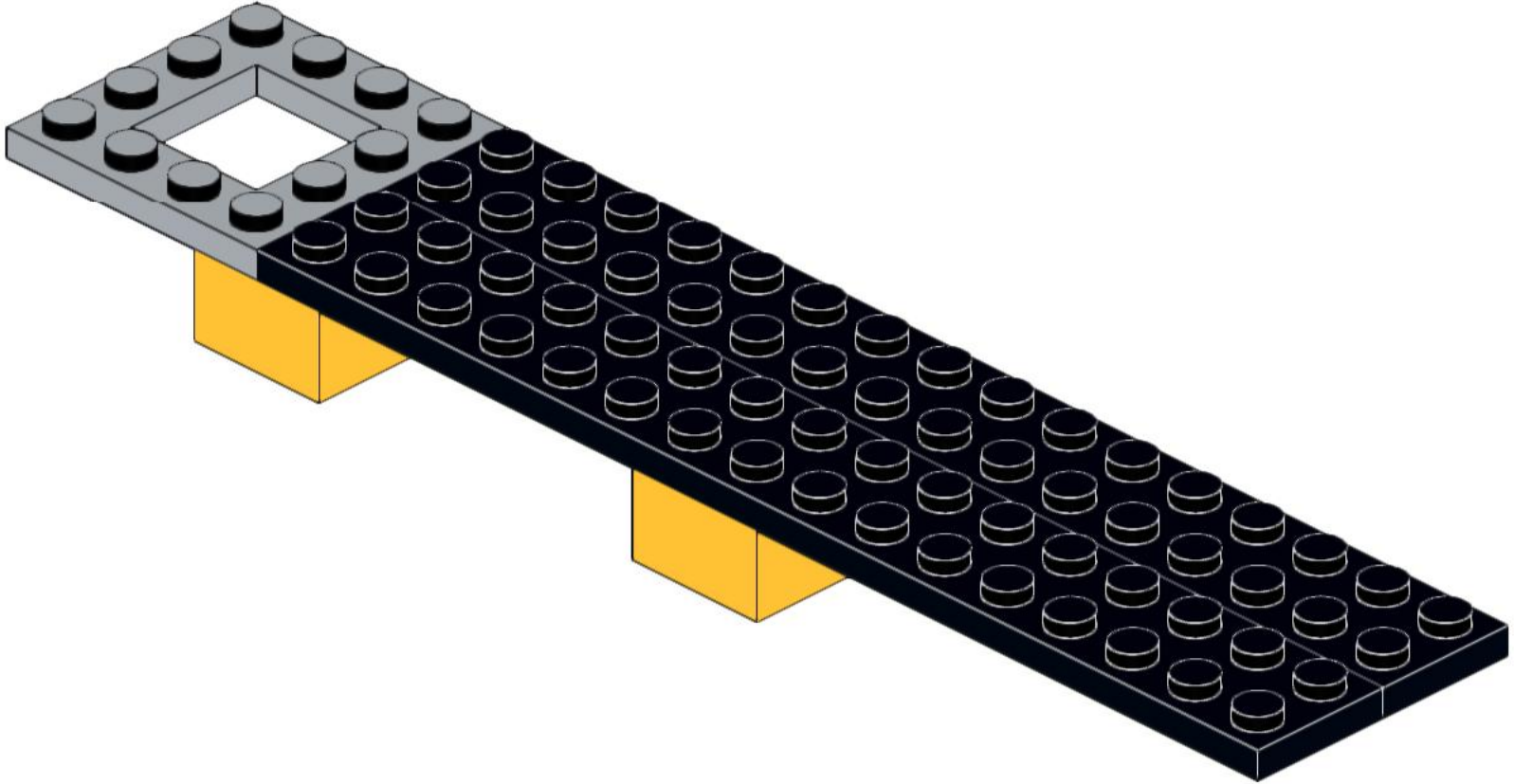
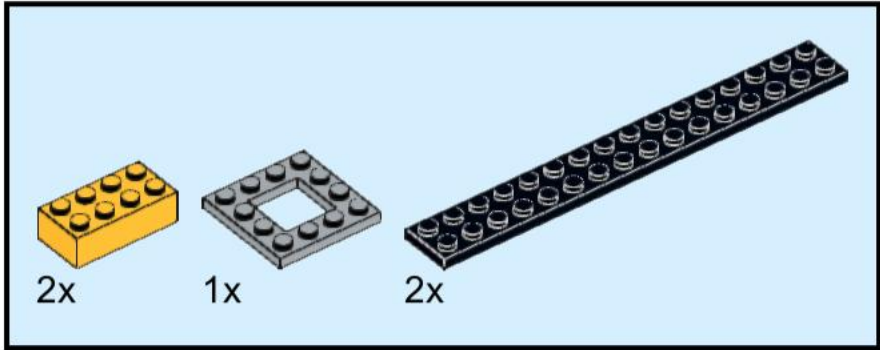
Tecnoaprendo

Sailboat Storm

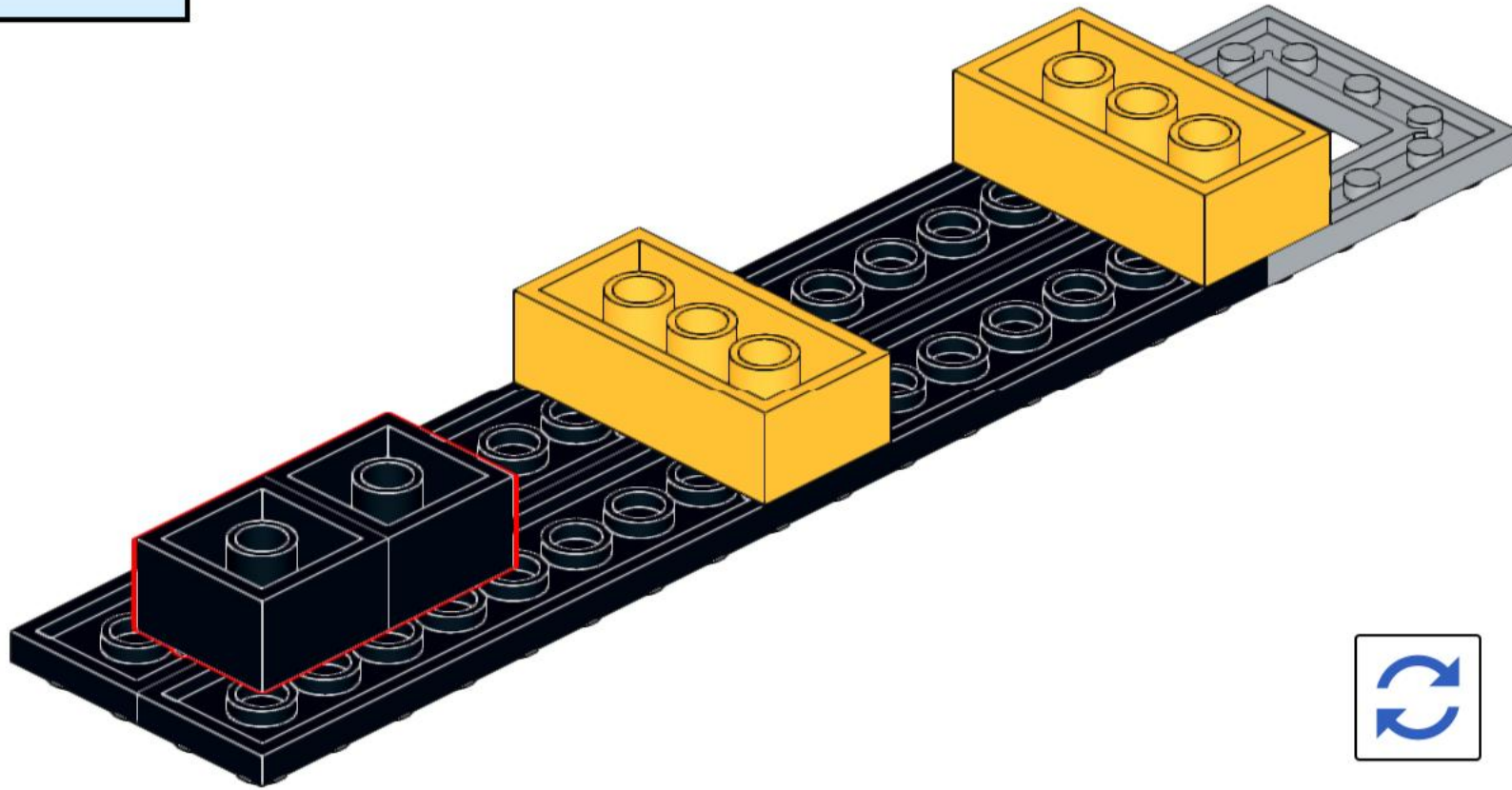
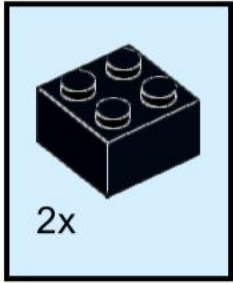
Tilt & Sink



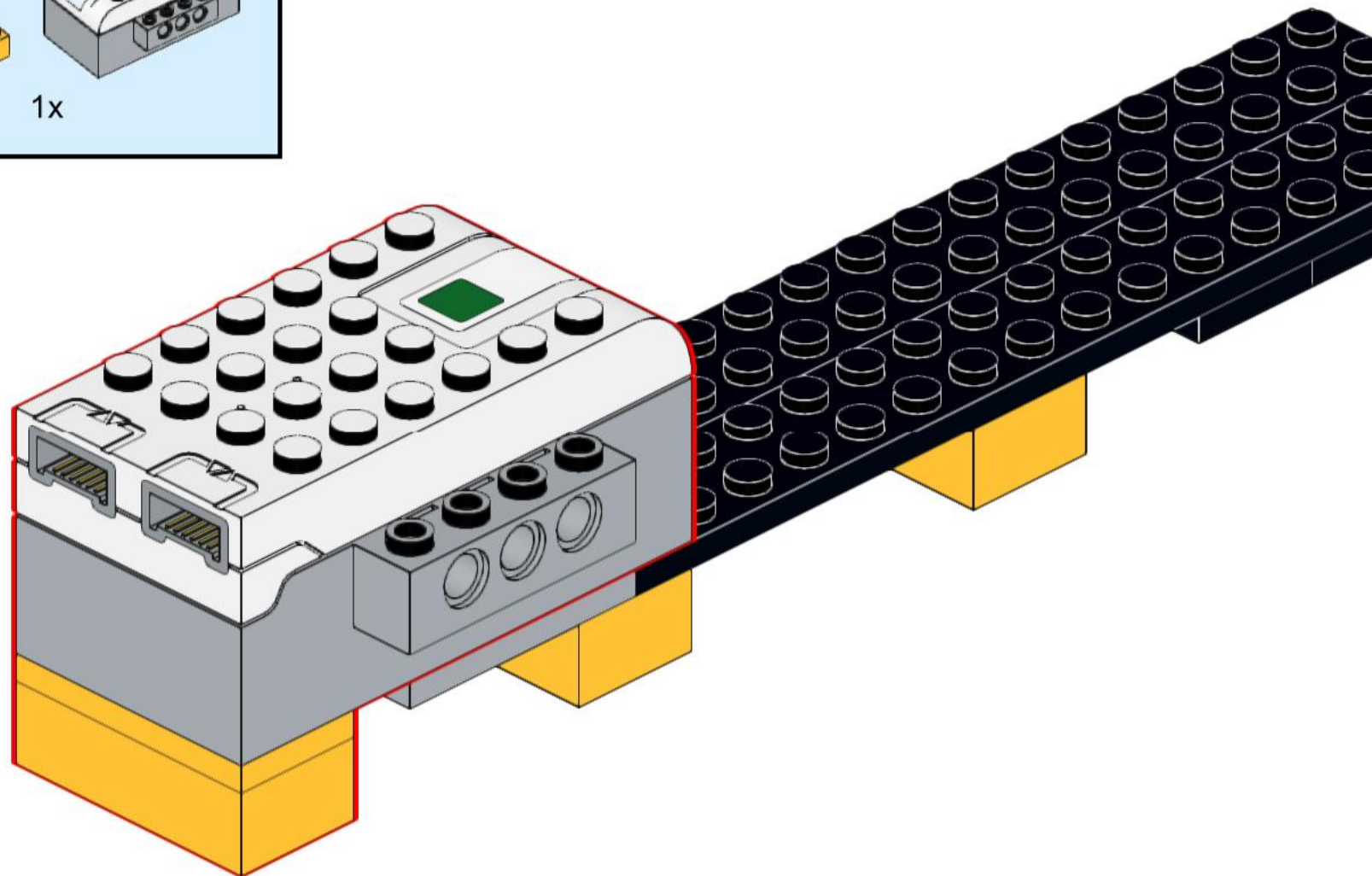
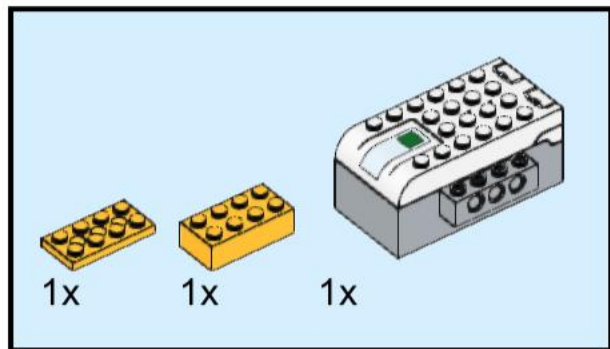
1



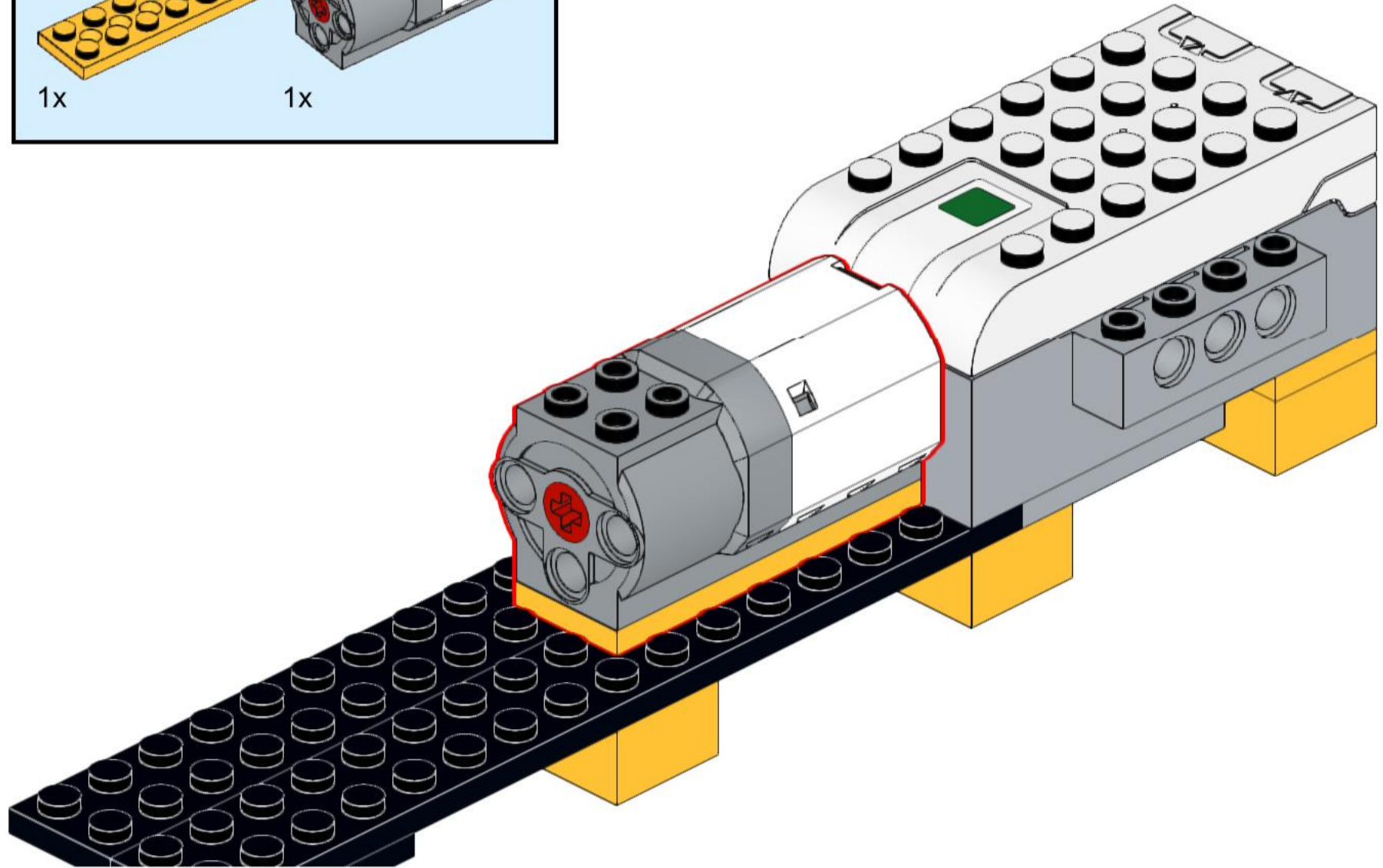
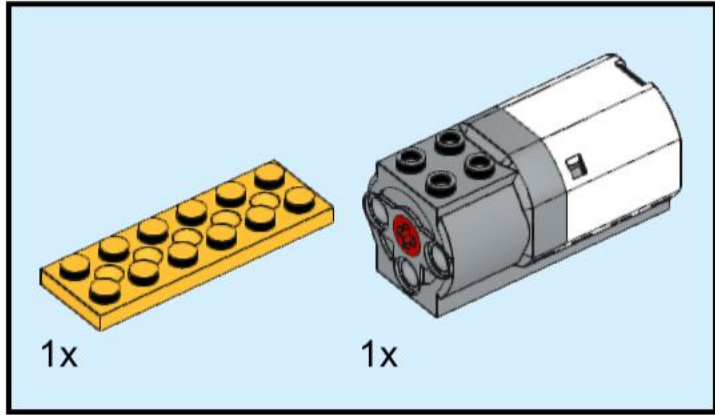
2



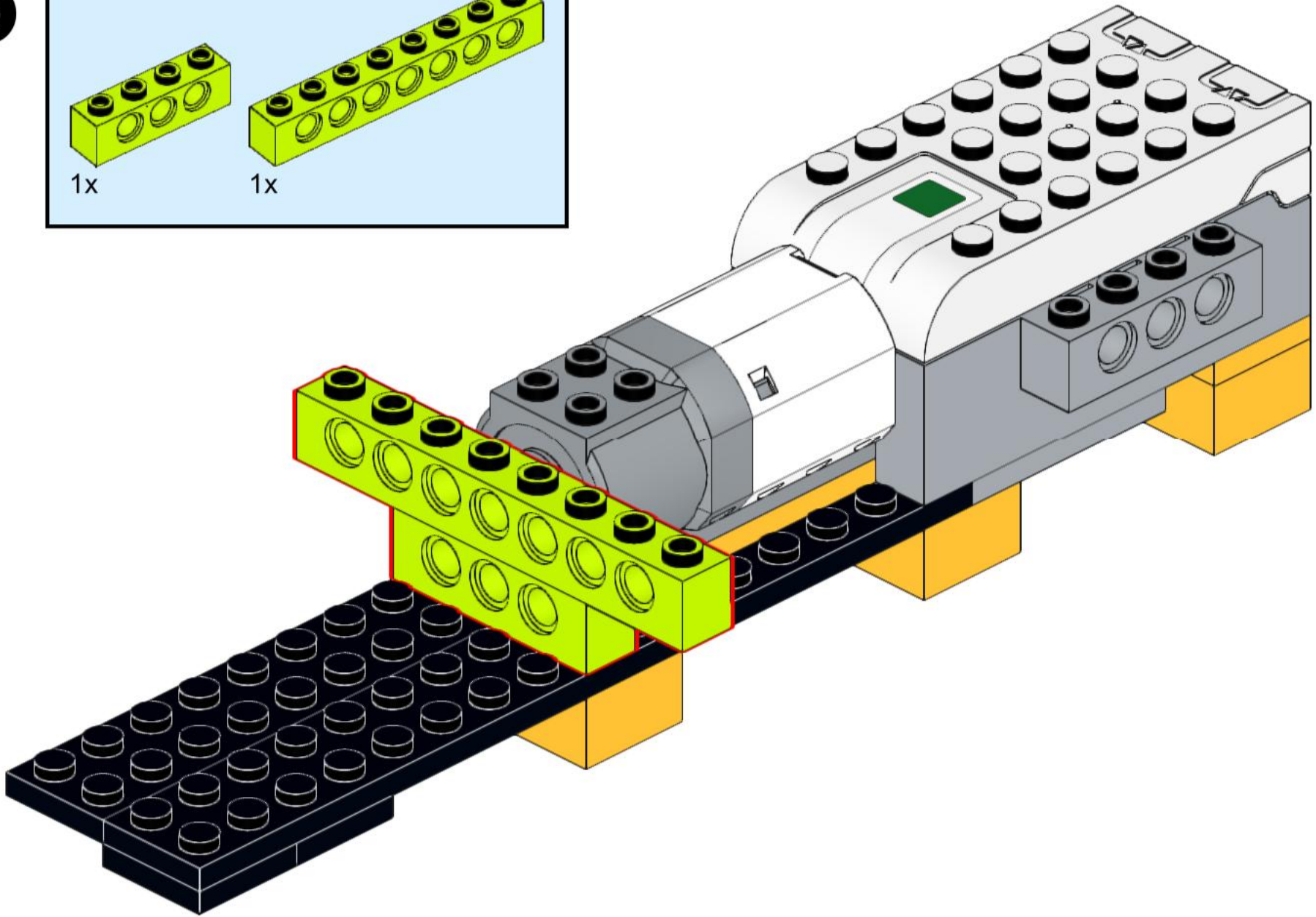
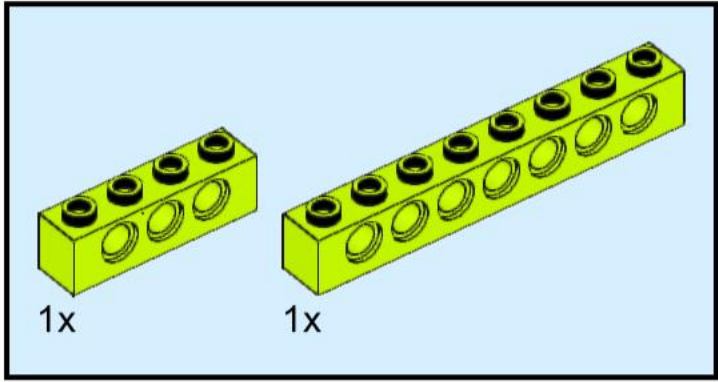
3



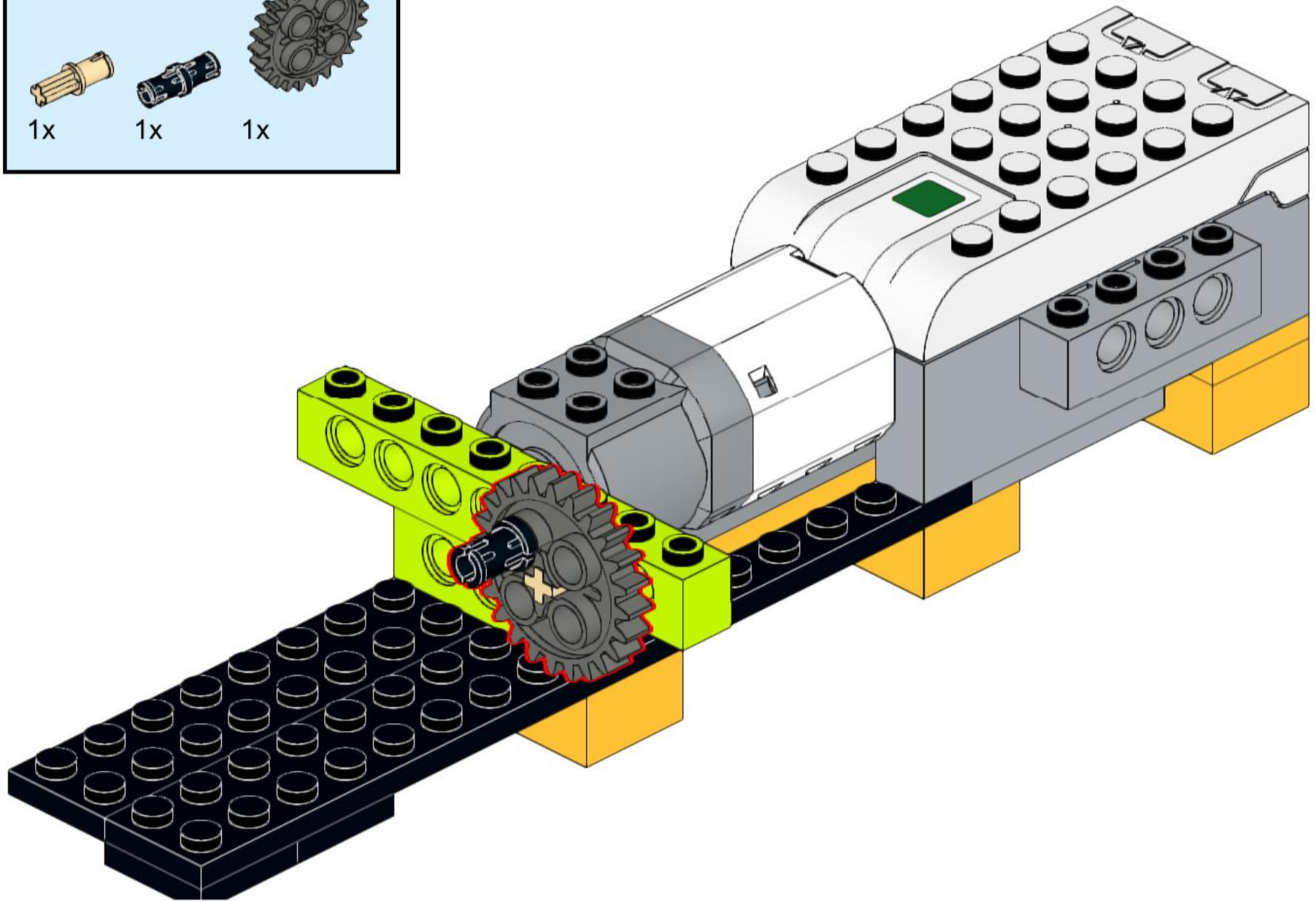
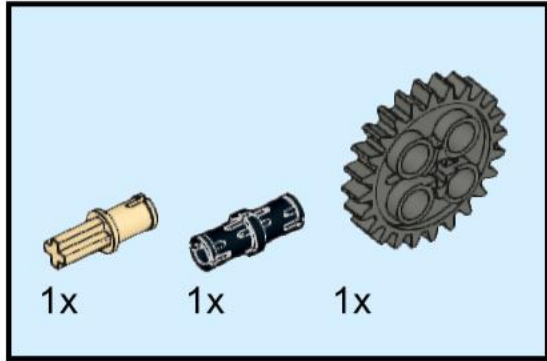
4



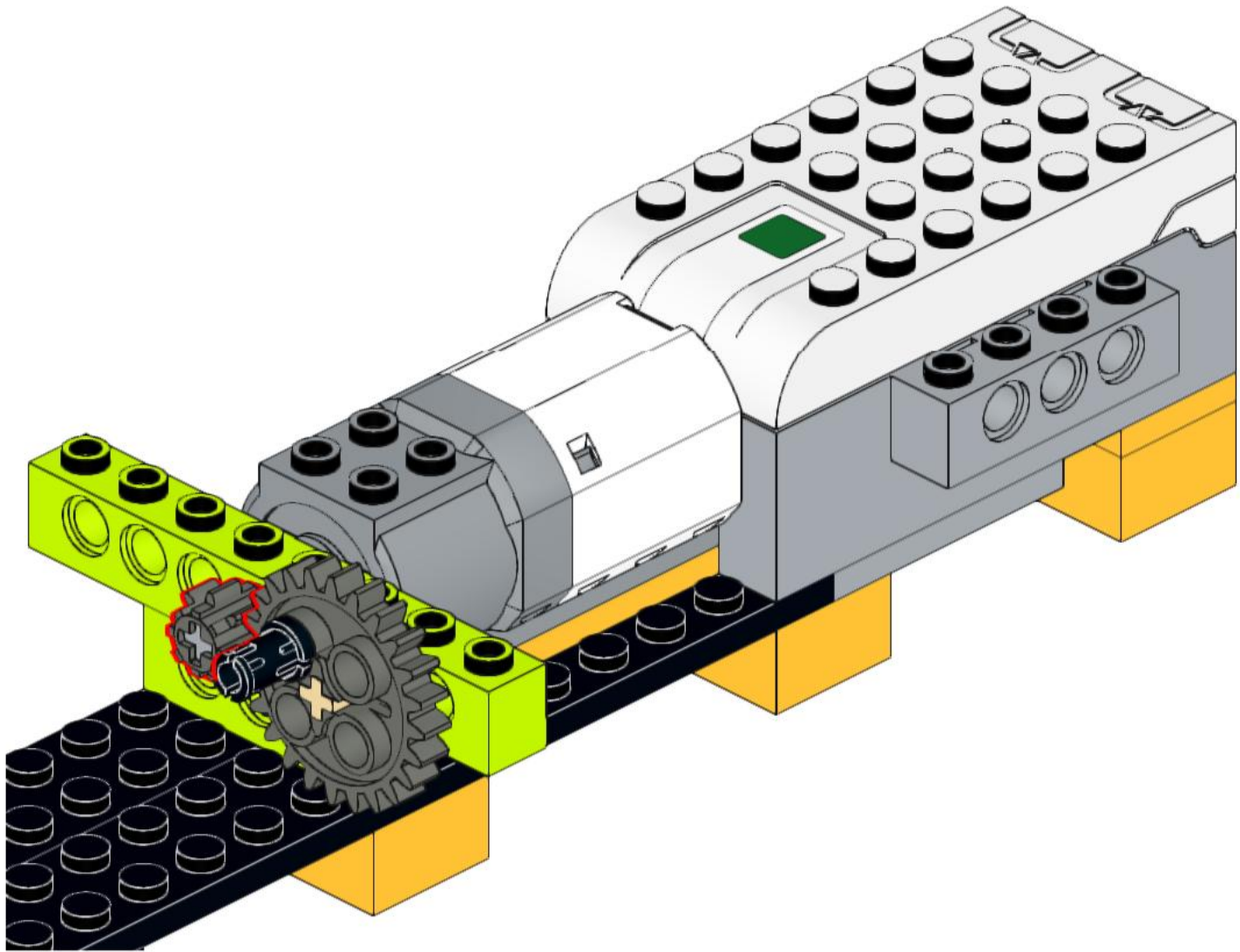
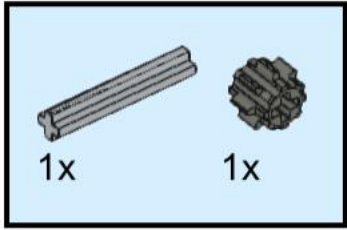
5



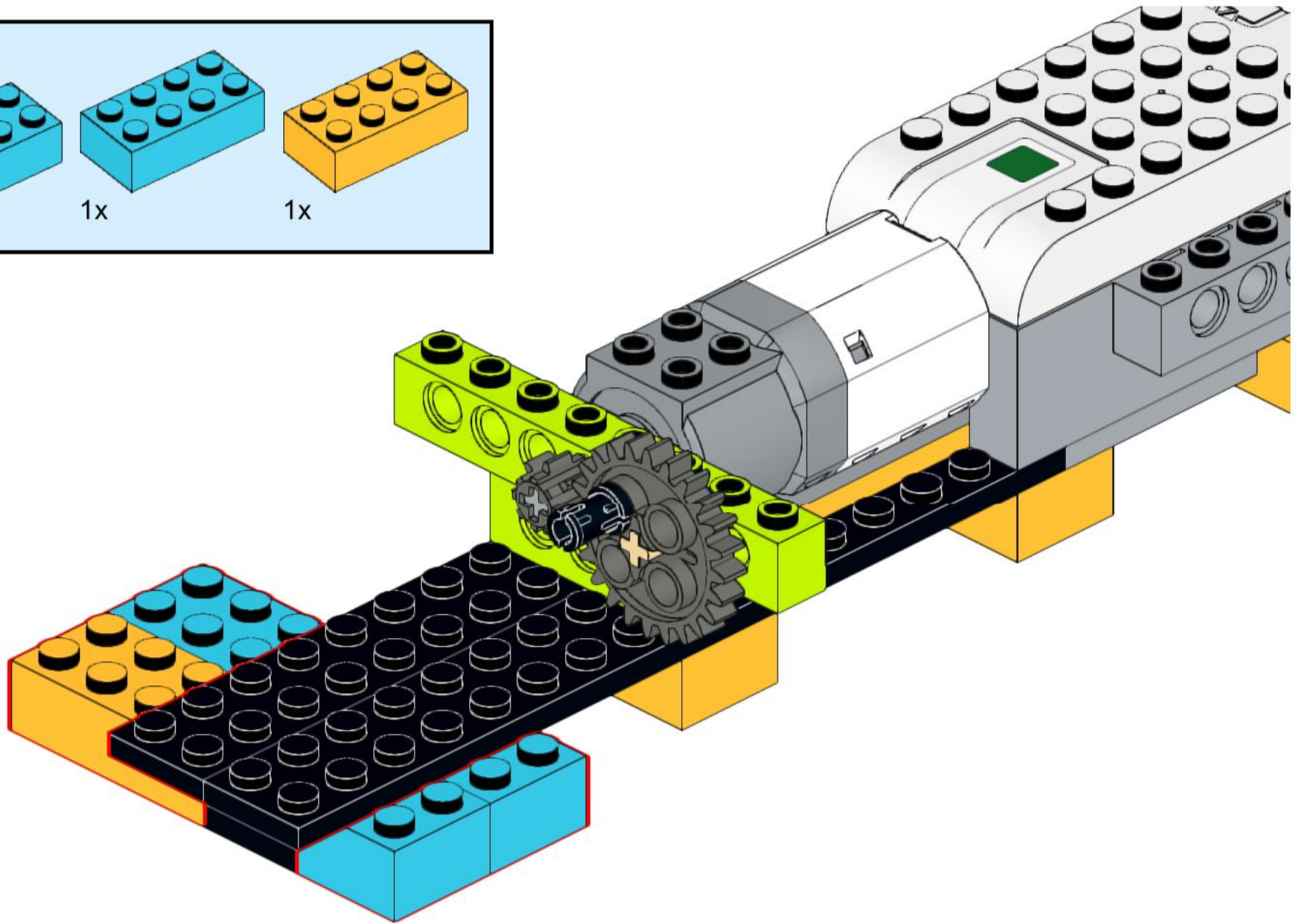
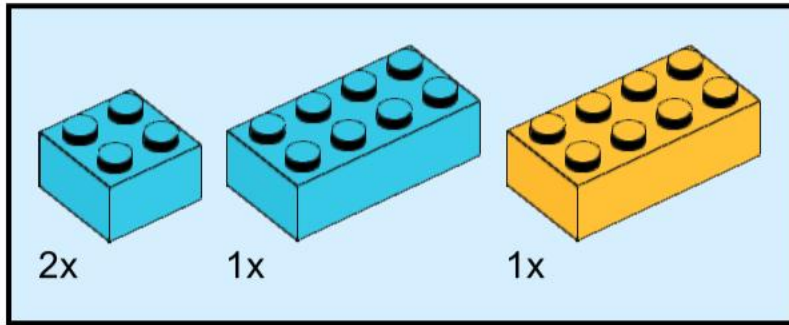
6



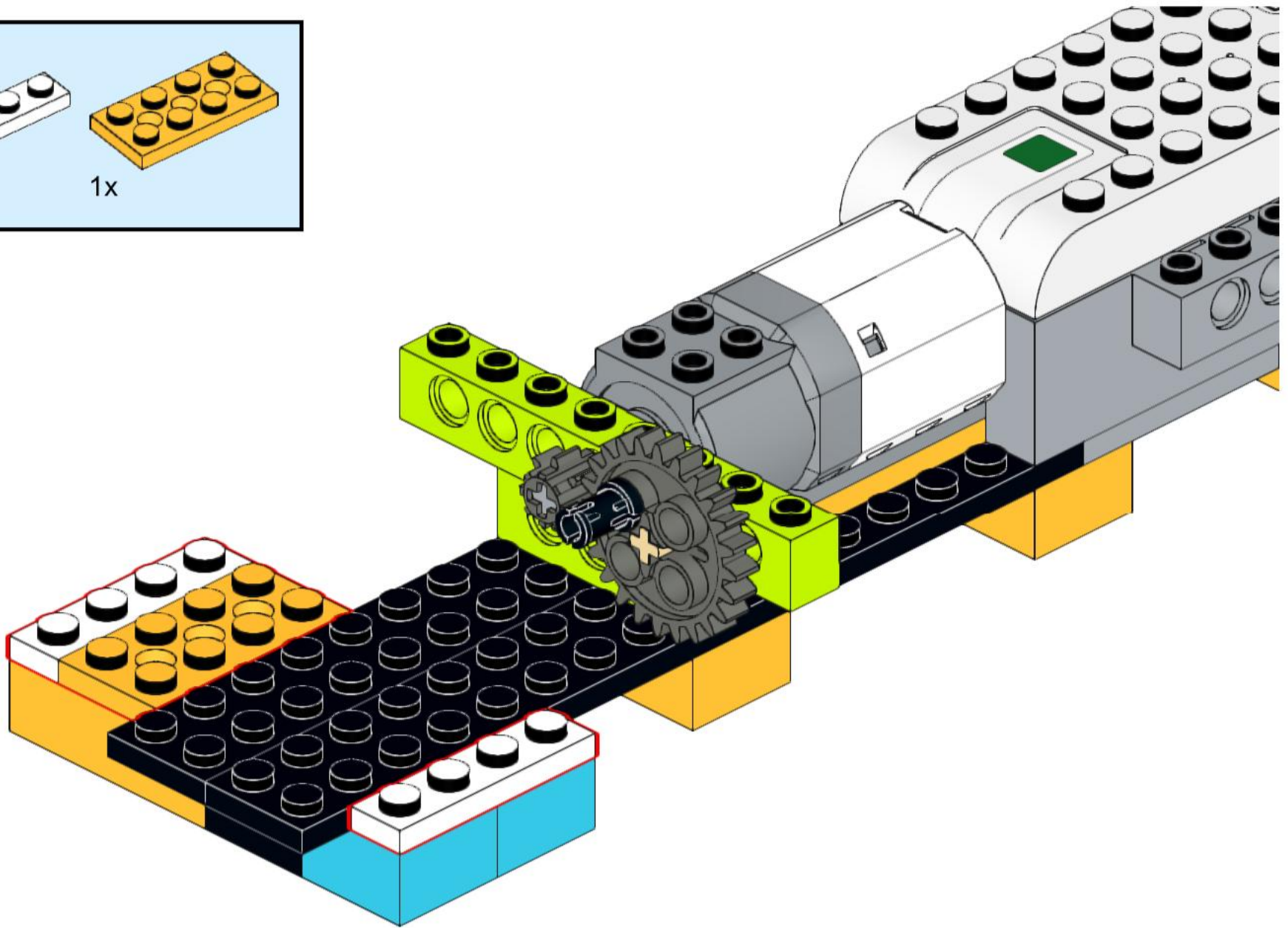
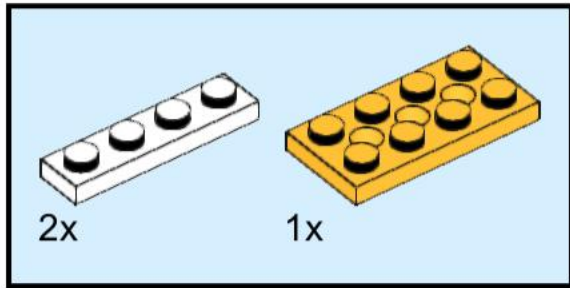
7



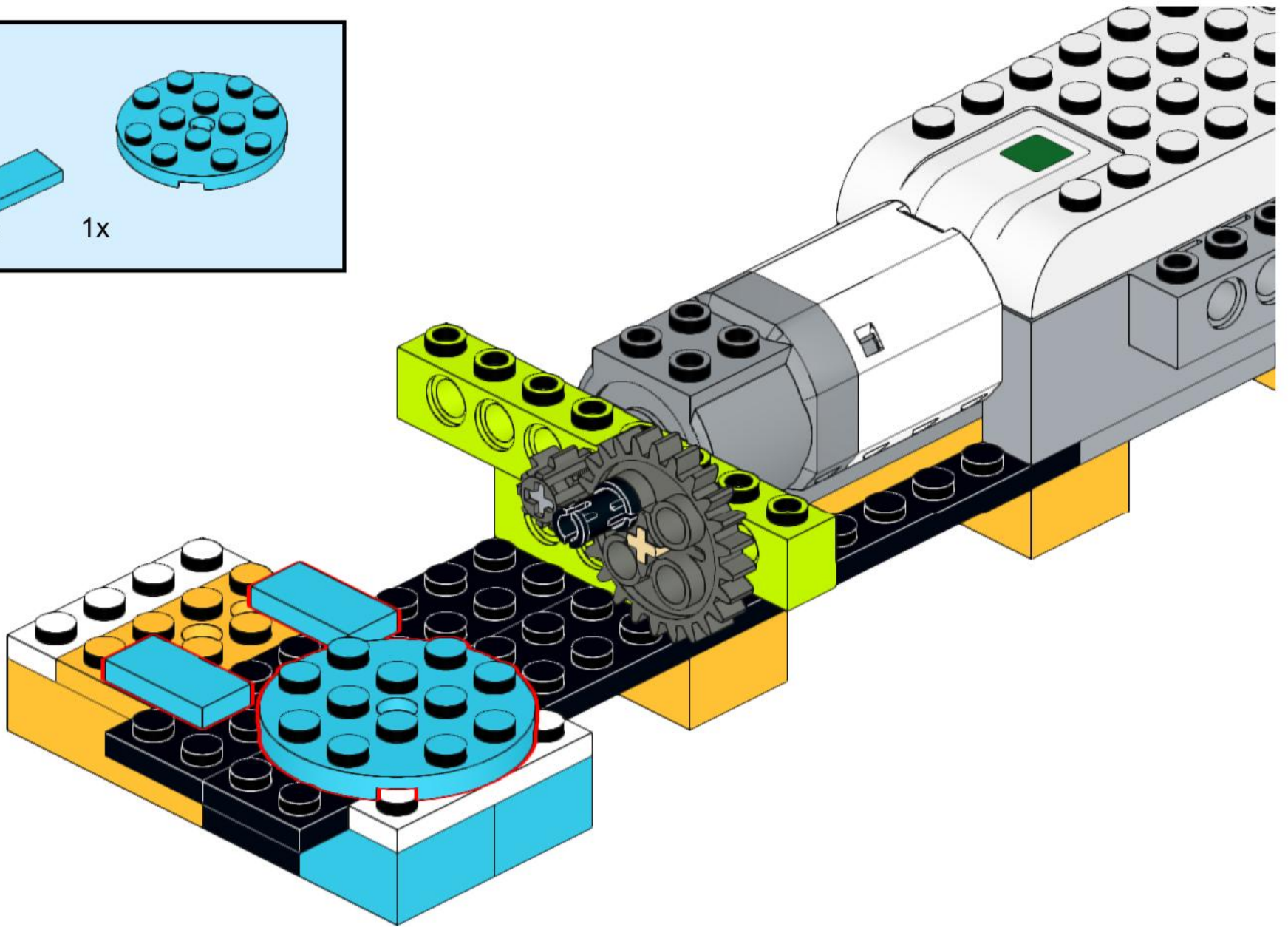
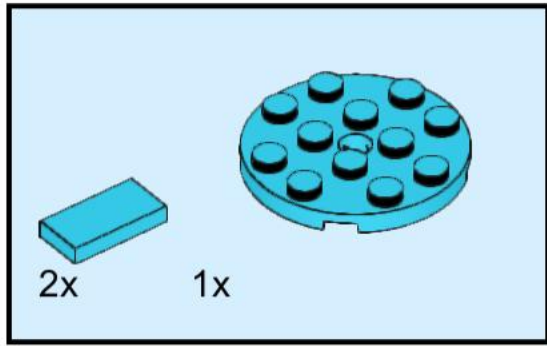
8



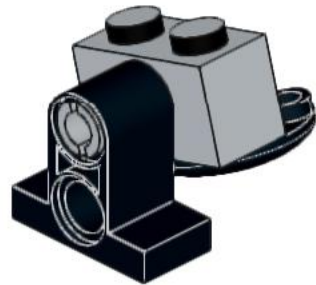
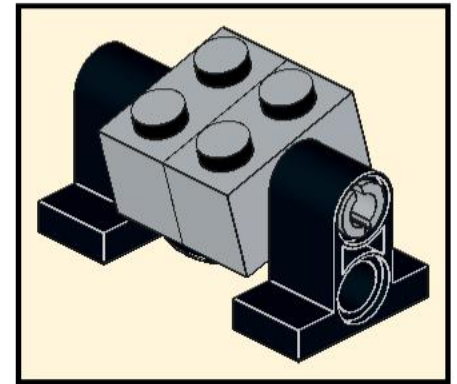
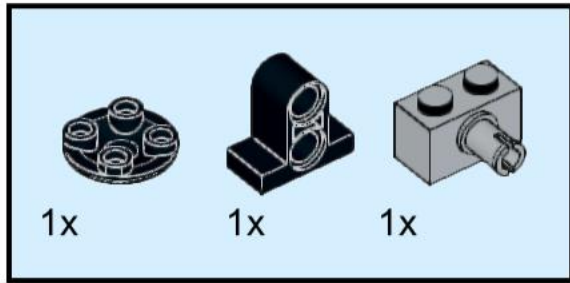
9



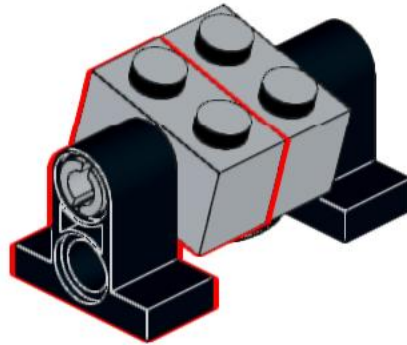
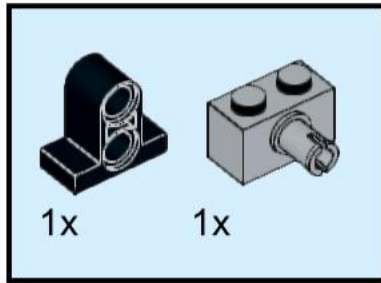
10



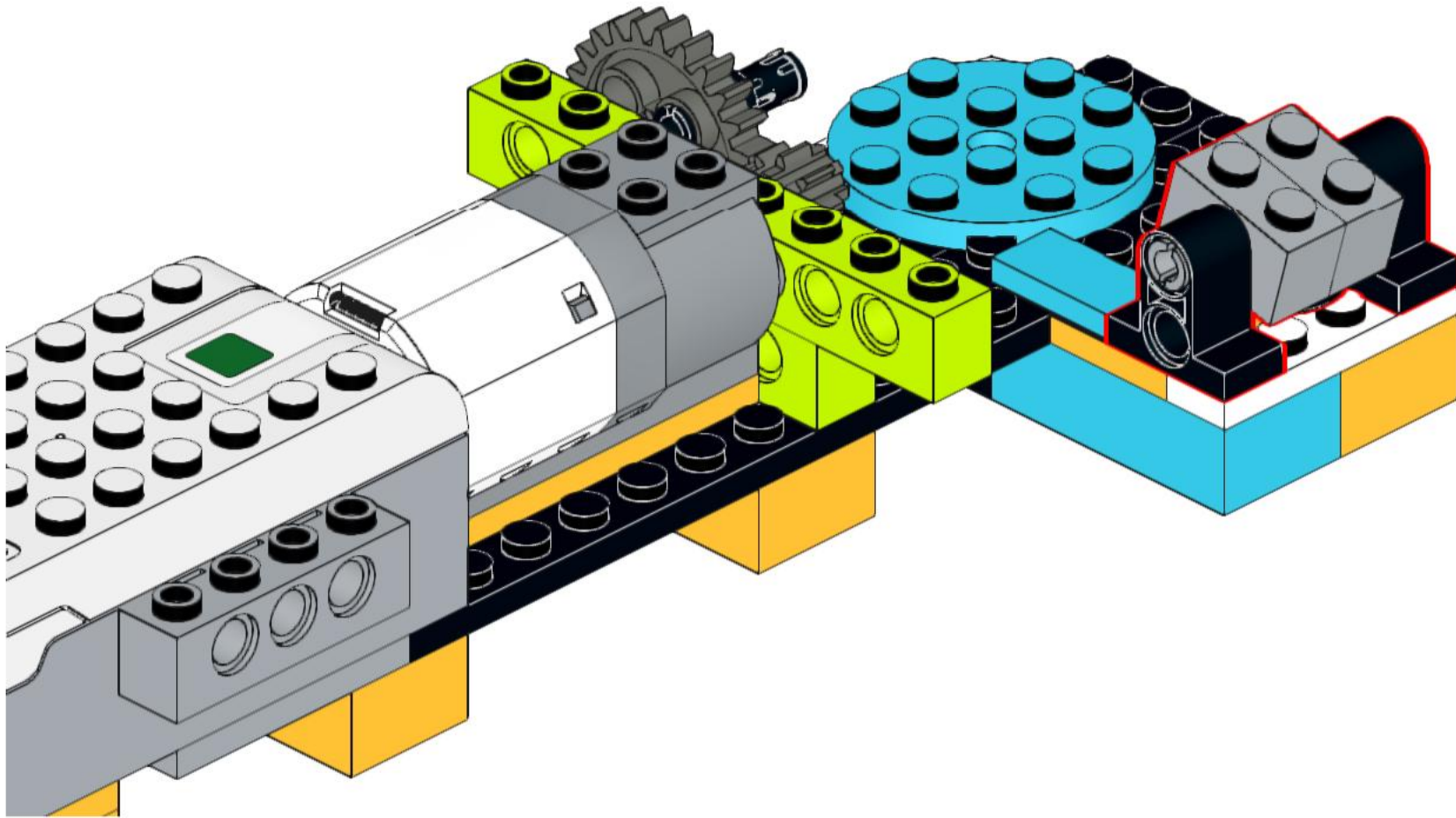
11



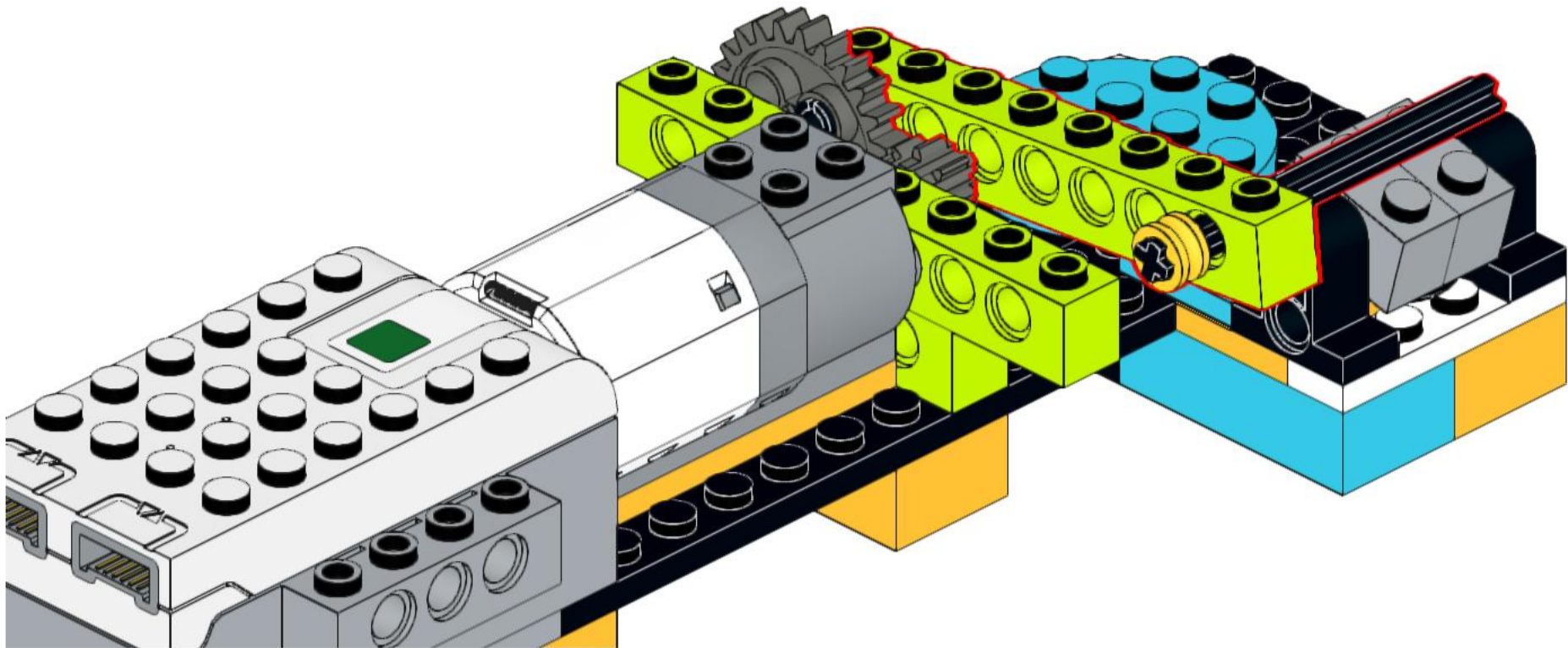
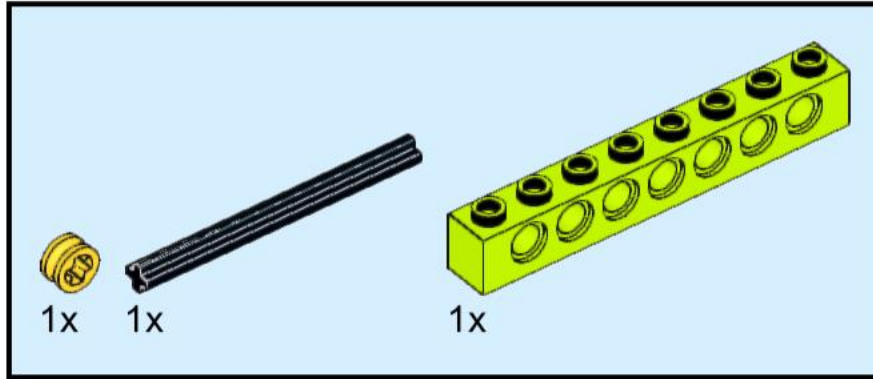
12



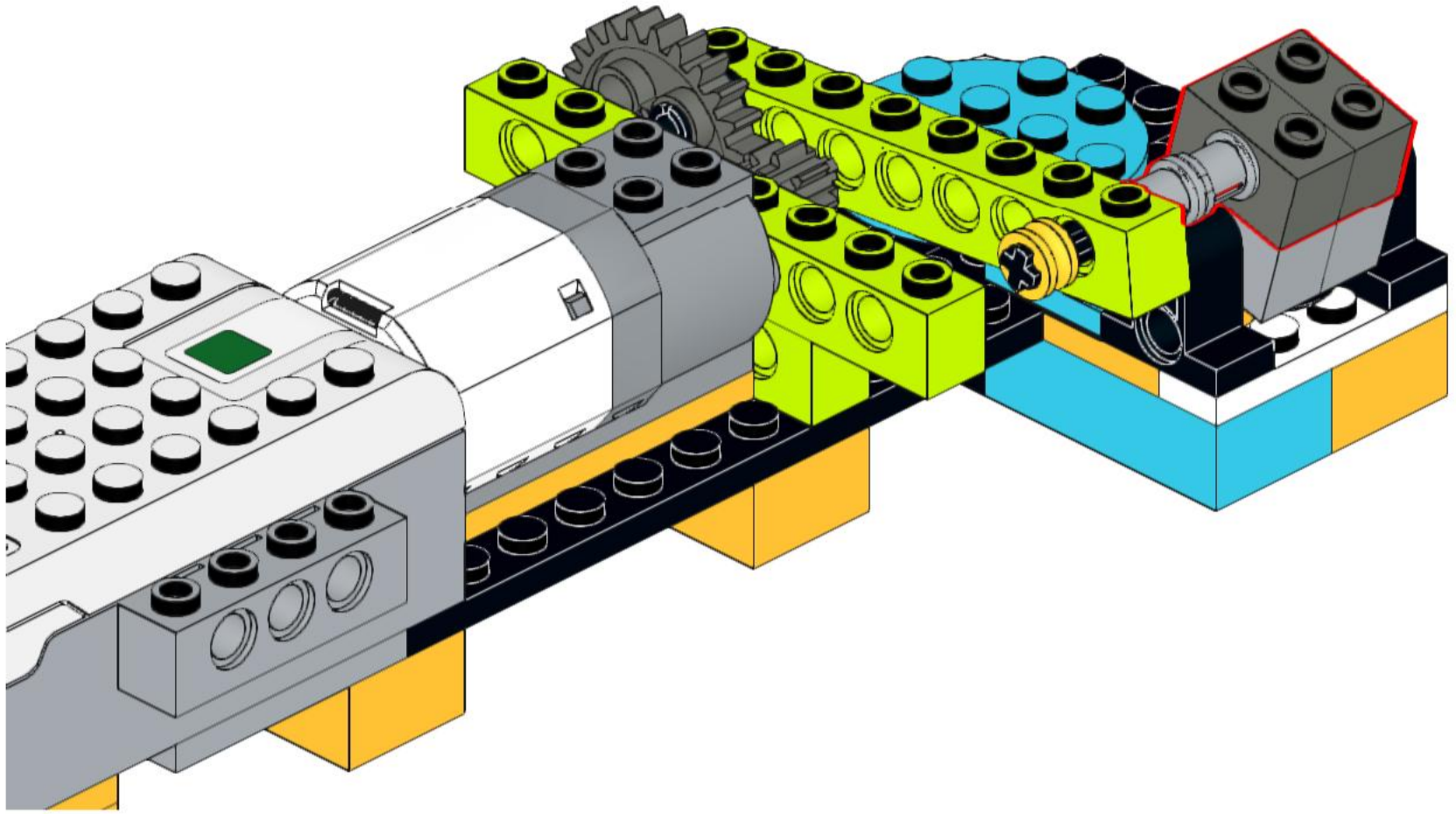
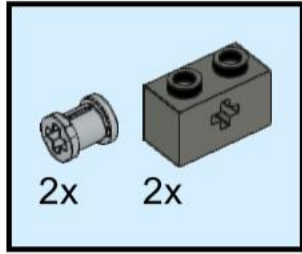
13



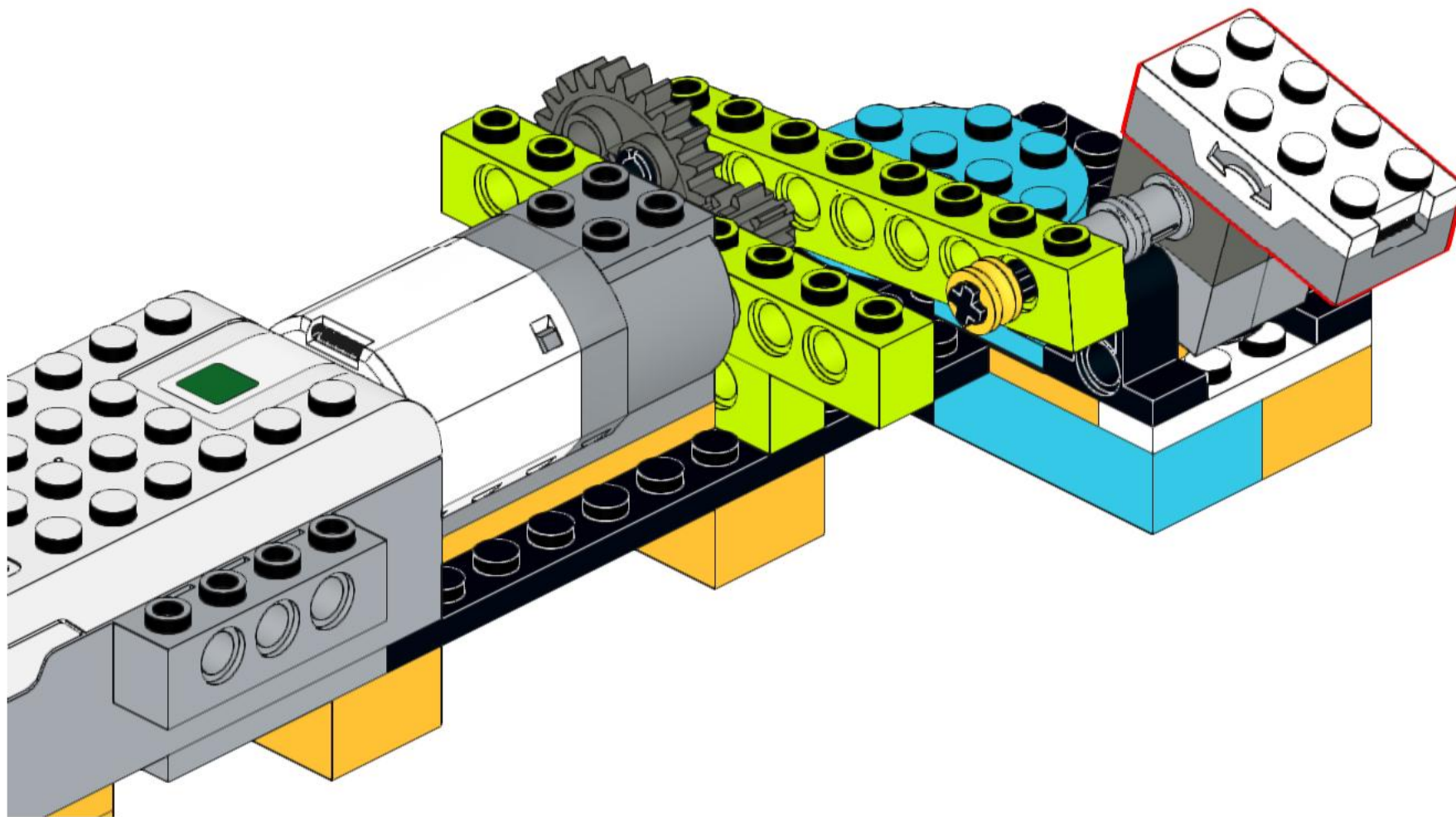
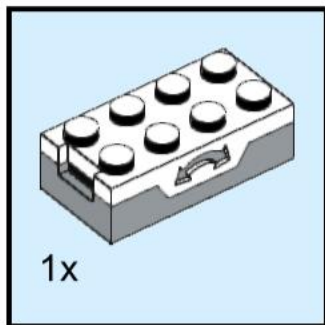
14



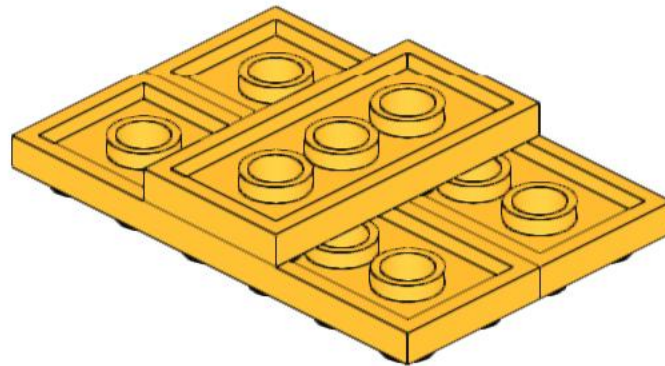
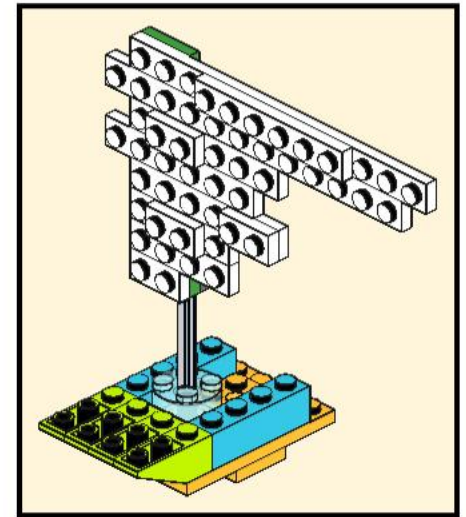
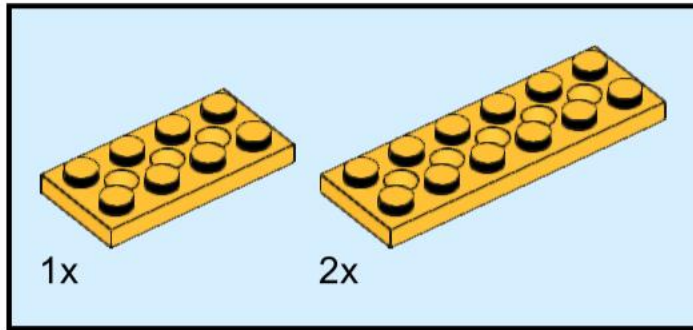
15



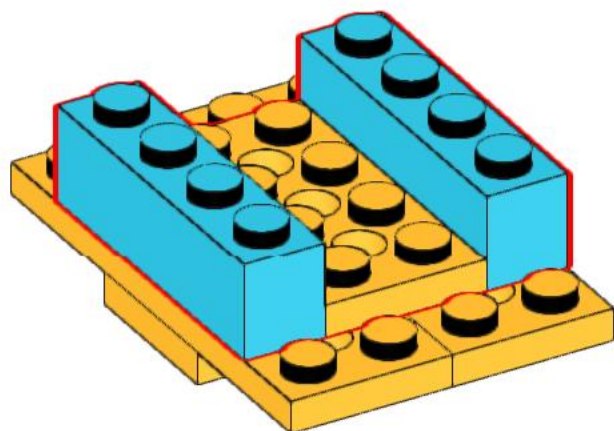
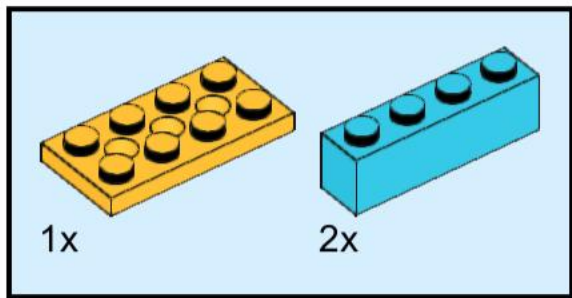
16



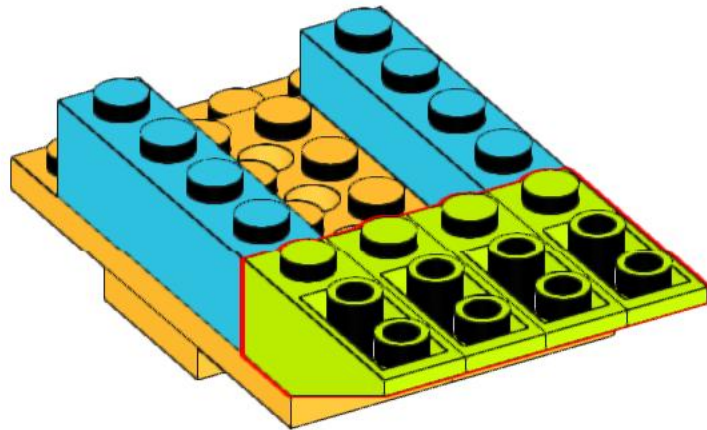
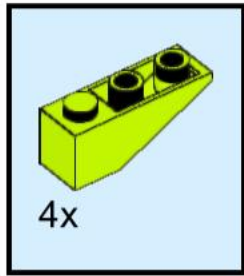
17



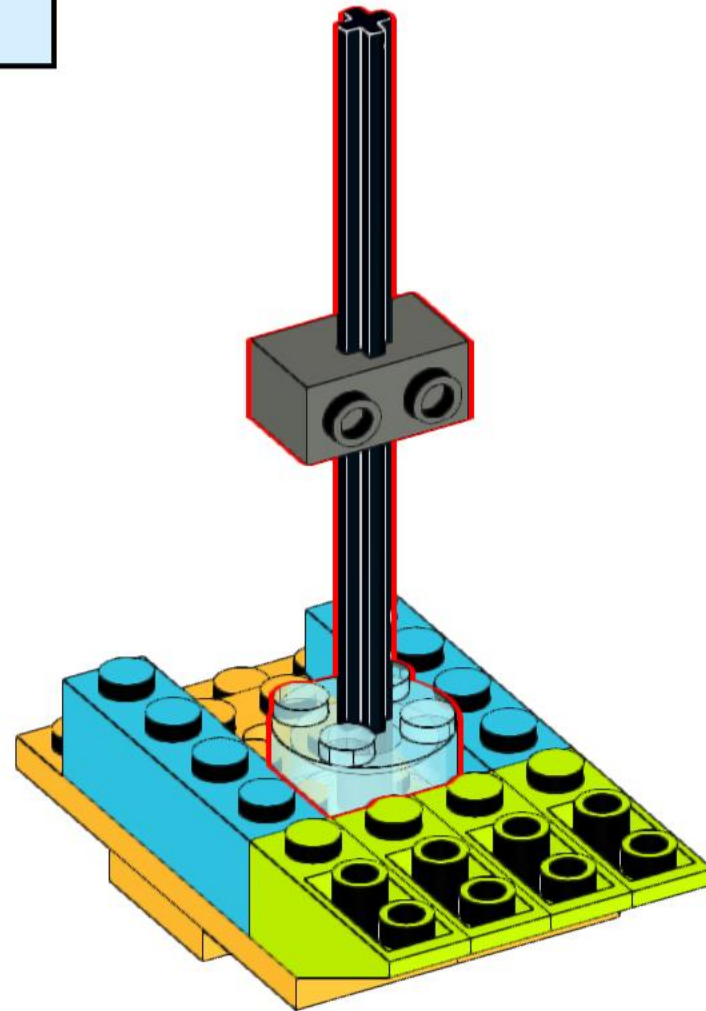
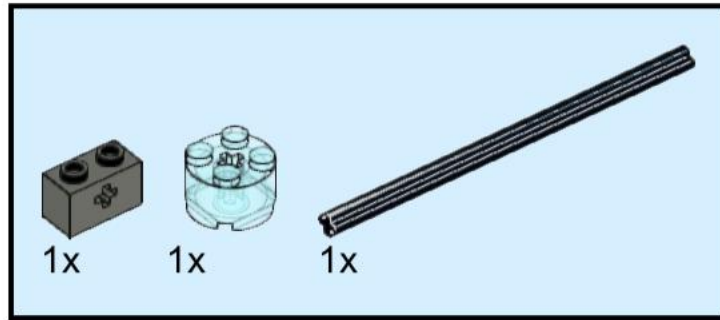
18



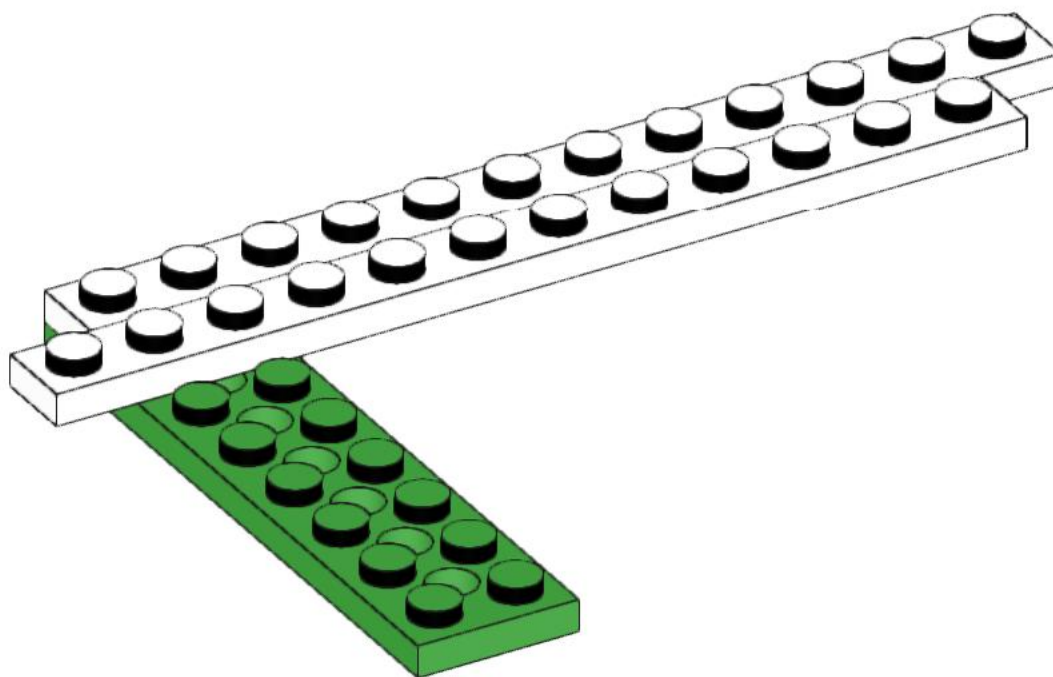
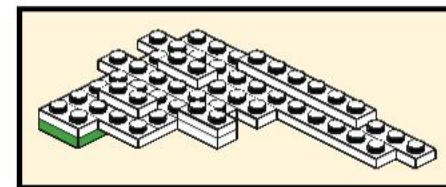
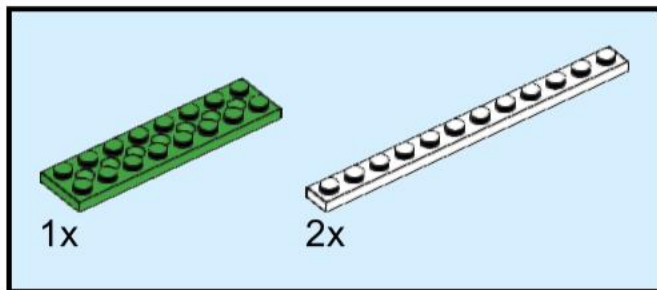
19



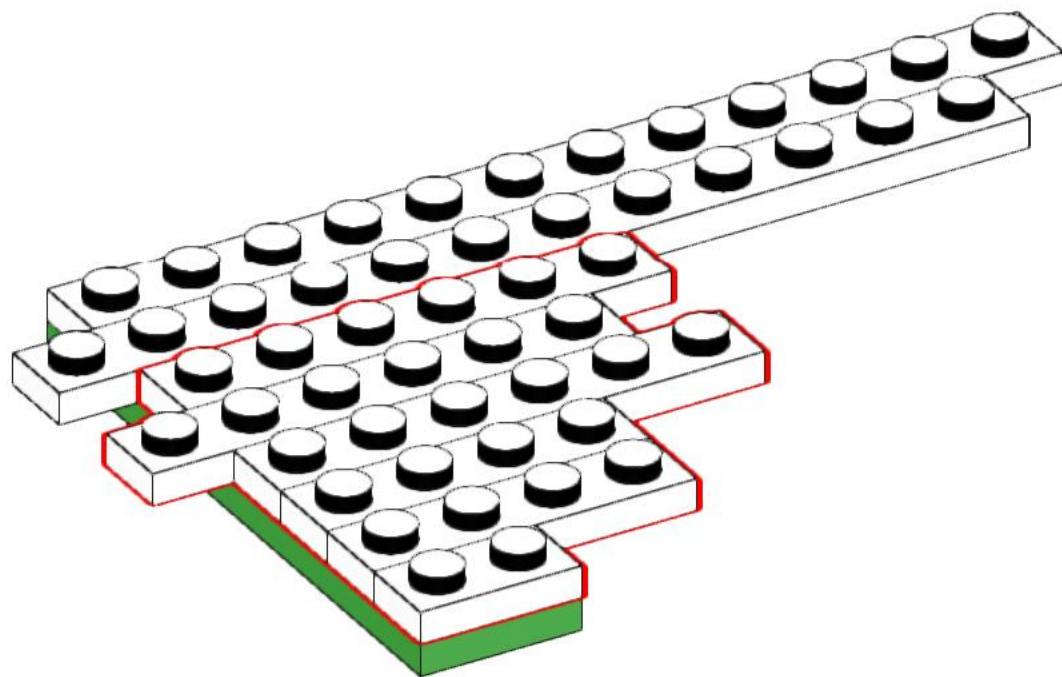
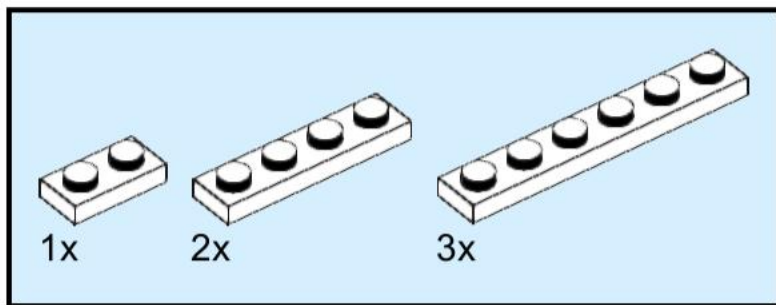
20



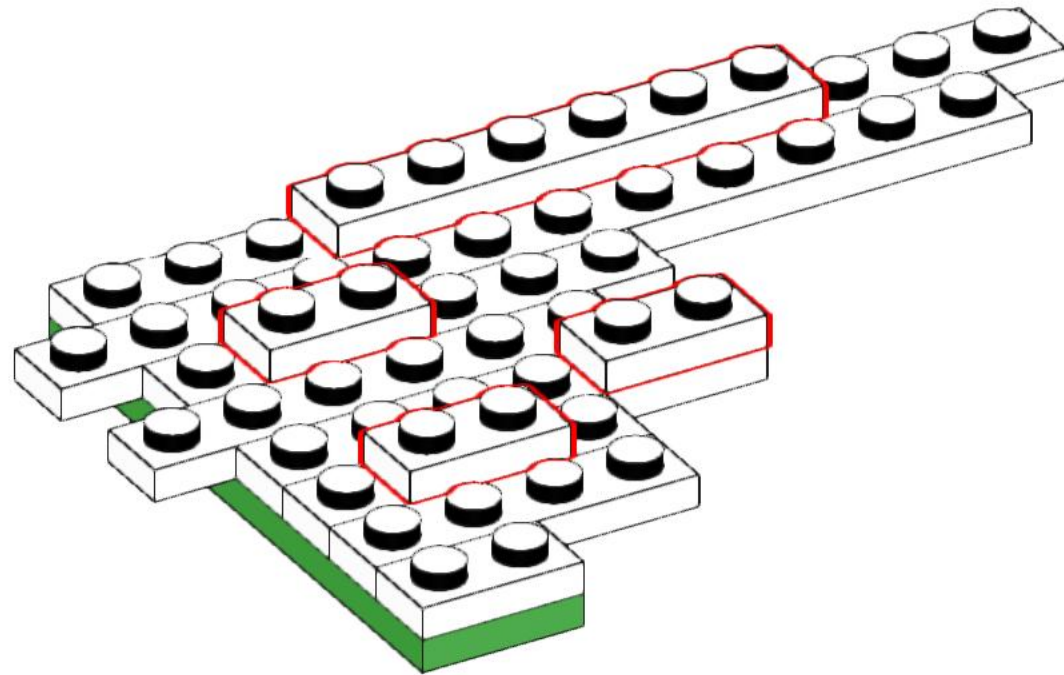
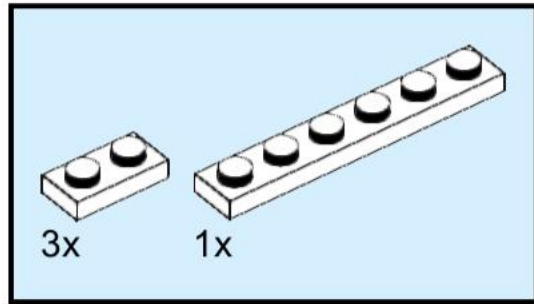
21



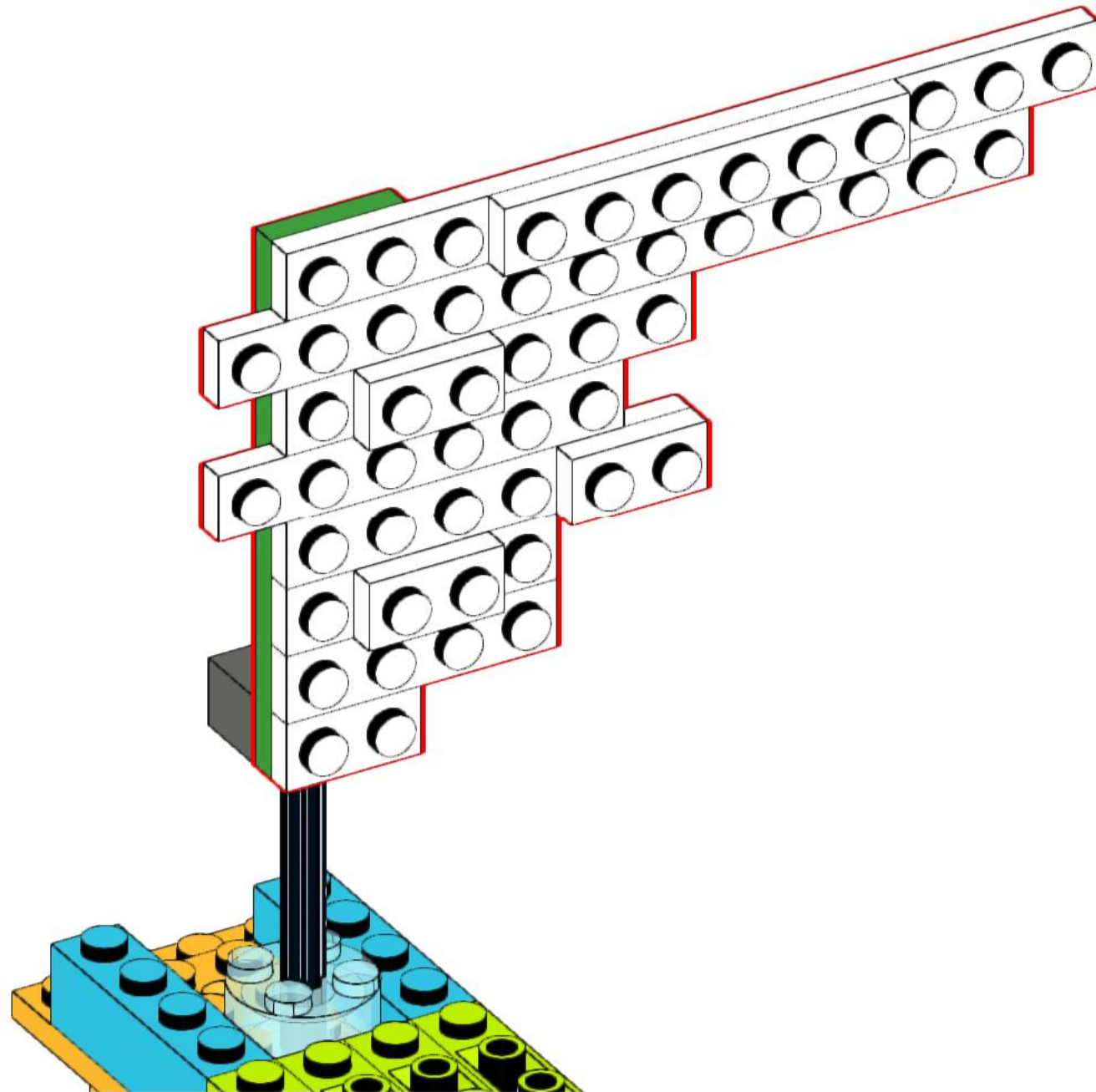
22



23

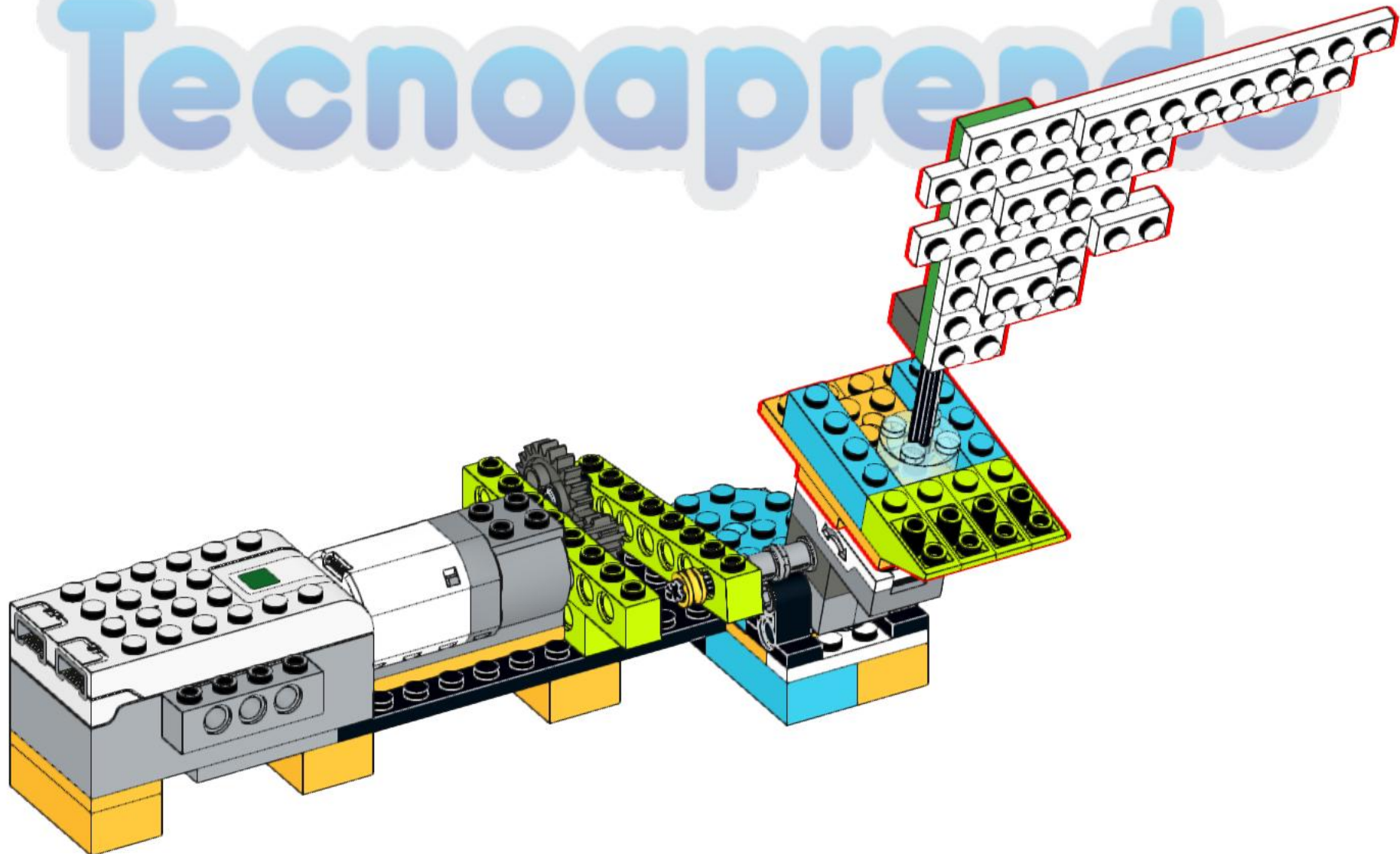


24



25

Tecnoaprendiz



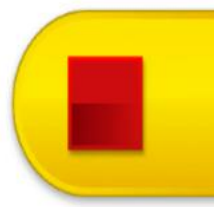


Row 1: Play button, Music icon (10), Brick icon (1), Brick icon, Envelope icon (abc), Refresh icon

Row 2: Envelope icon (abc), Hourglass icon, Brick icon (9), Tablet icon (7)

Row 3: Envelope icon (abc), Hourglass icon, Brick icon (1), Music icon (9), Tablet icon (12)

Technoaprendo



1x
2780, 11

1x
2654, 11

2x
32530, 11

2x
3003, 11

1x
3706, 11

1x
3737, 11

2x
4282, 11

1x
10928, 85

3x
32064, 85

1x
3648, 85

2x
3713, 86

1x
4519, 86

2x
2458, 86

1x
64799, 86

1x
19071c01, 86

4x
3023, 1

4x
3710, 1

1x
20841, 1

4x
3666, 1

1x
21980, 1

2x
60479, 1

1x
3749, 2

4x
3709b, 110

4x
3001, 110

3x
32001, 110

1x
4265c, 3

4x
4287, 34

1x
3701, 34

2x
3702, 34

1x
3738, 36

2x
3069b, 156

2x
3003, 156

2x
3010, 156

1x
3001, 156

1x
60474, 156

1x
3941, 15

