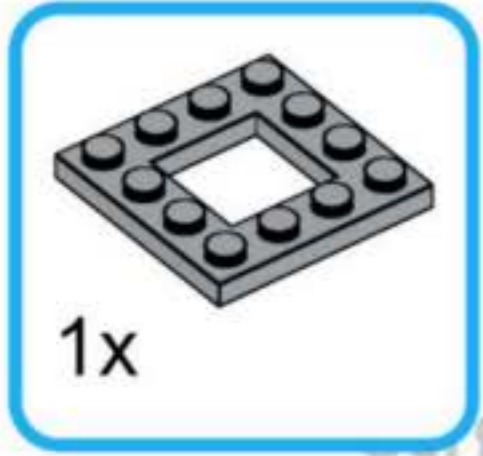


steam locomotive
unofficial building instruction



Loco^c

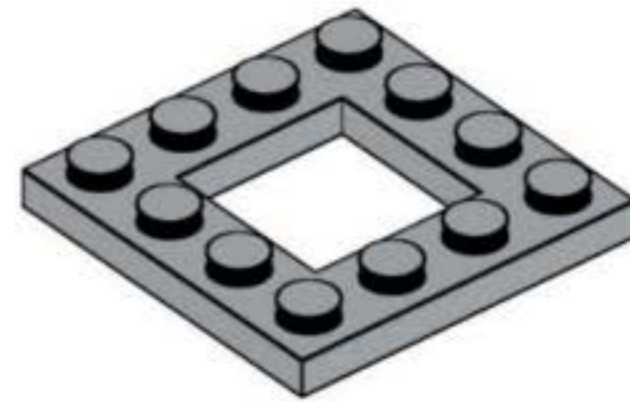
for Lego WeDo 2.0



Gergert's lab

Gergert's lab

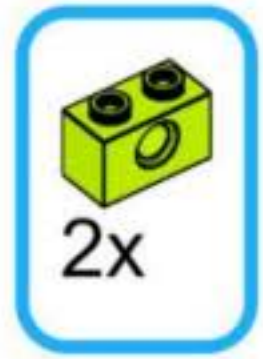
Gergert's lab



Gergert's lab

Gergert's lab

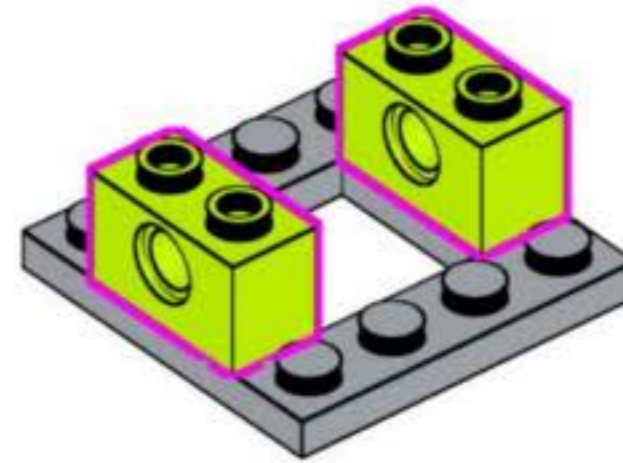
Gergert's lab



Gergert's lab

Gergert's lab

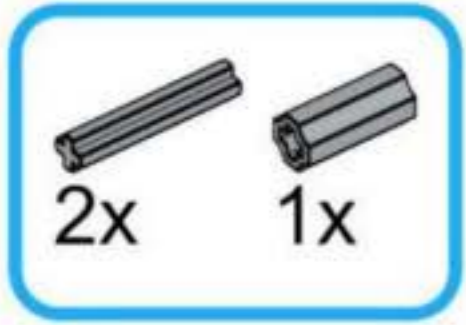
Gergert's lab



Gergert's lab

Gergert's lab

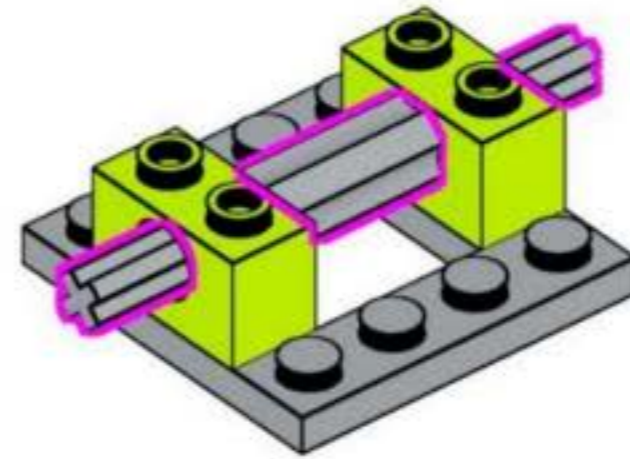
Gergert's lab



Gergert's lab

Gergert's lab

Gergert's lab



Gergert's lab

Gergert's lab

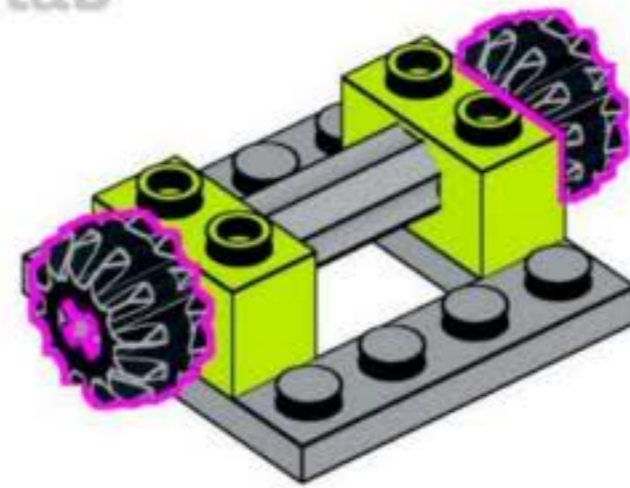
Gergert's lab



Gergert's lab

Gergert's lab

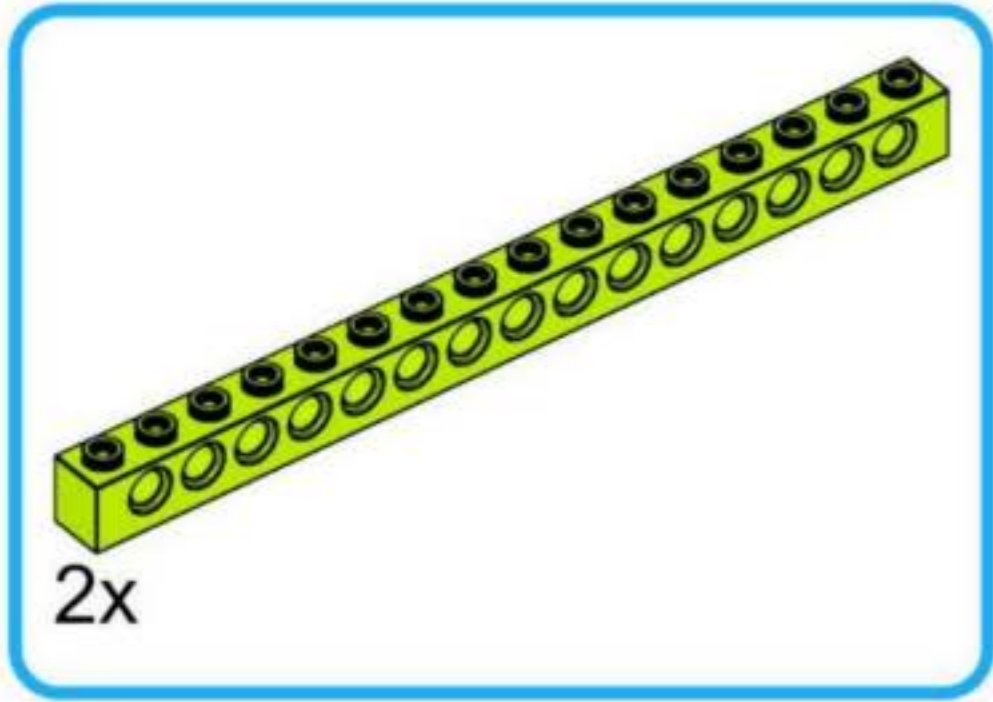
Gergert's lab



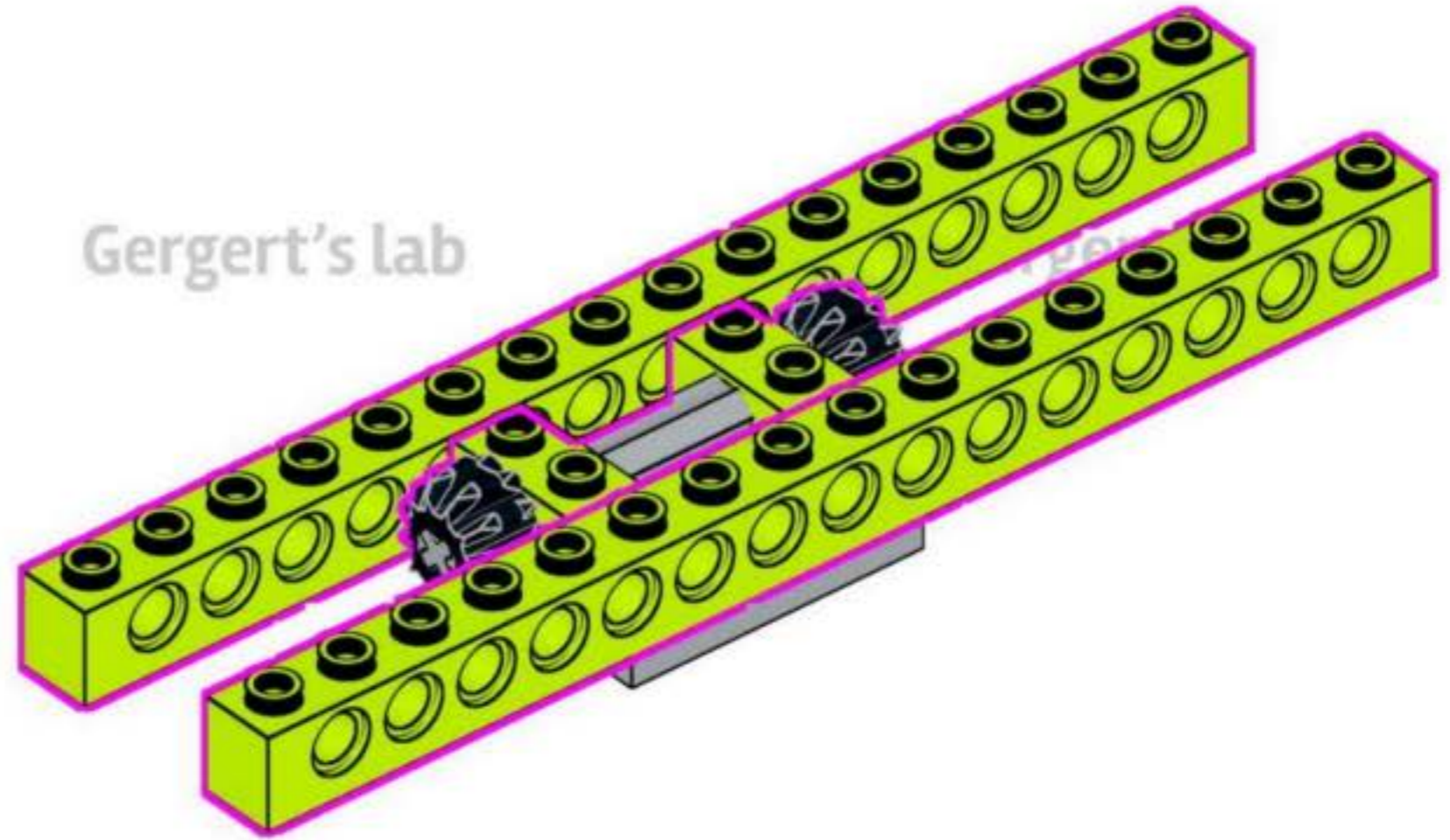
Gergert's lab

Gergert's lab

Gergert's lab

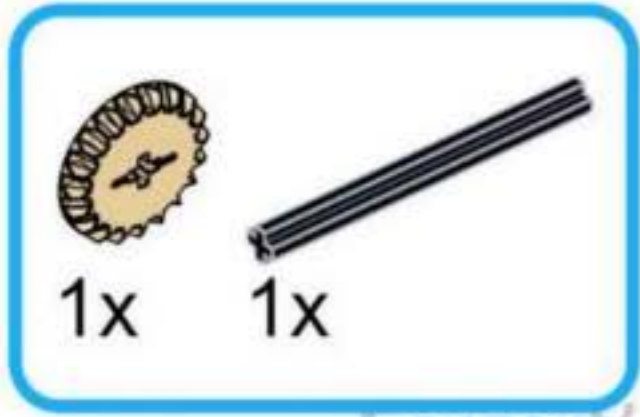


Gergert's lab

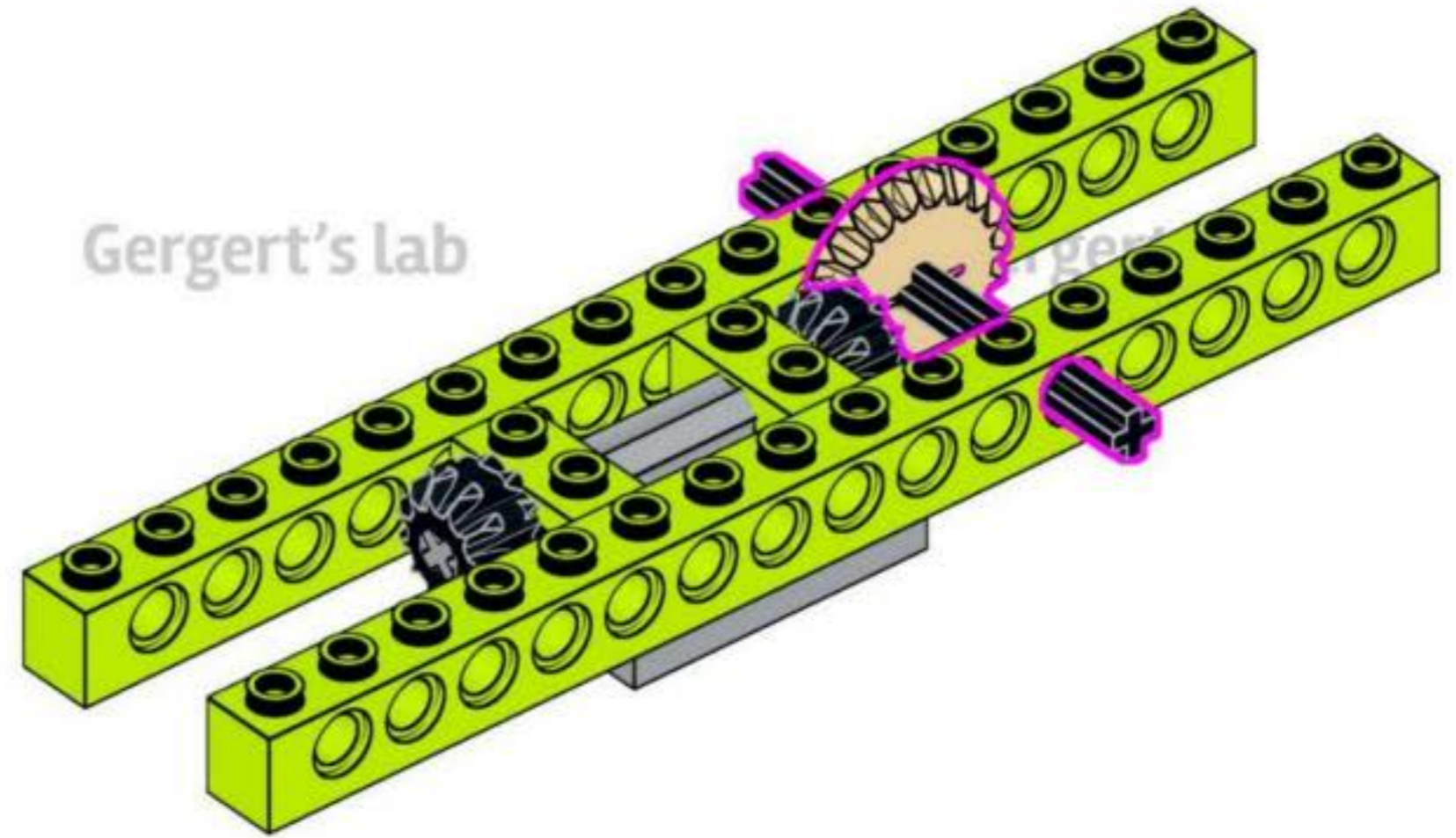


Gergert's lab

Gergert's lab



Gergert's lab

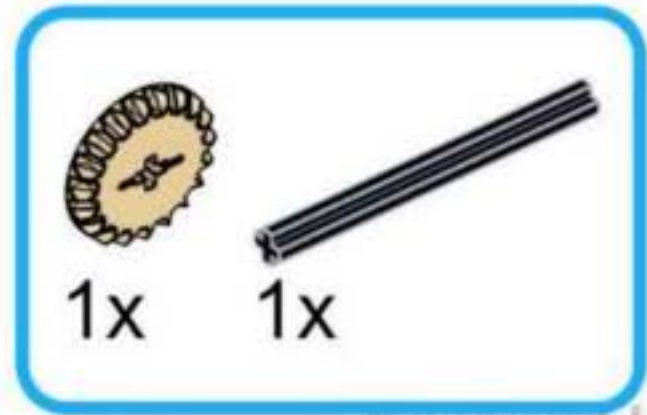


Gergert's lab

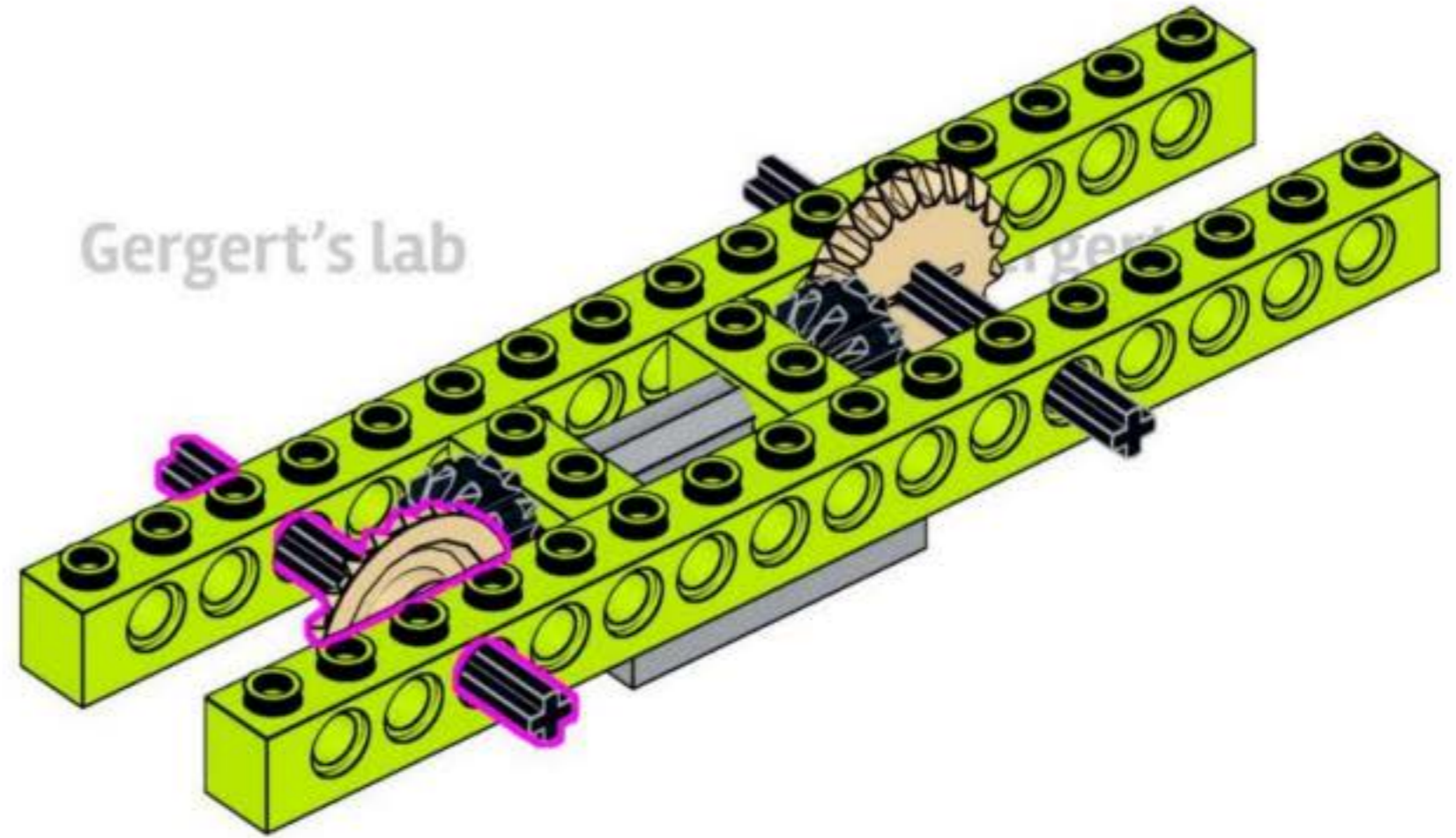
Gergert's lab

Gergert's lab

Gergert's lab



Gergert's lab

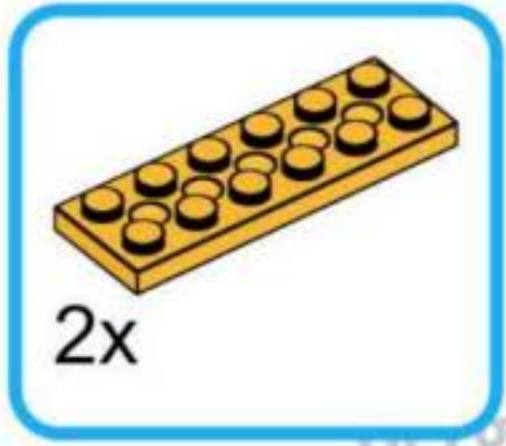


Gergert's lab

Gergert's lab

Gergert's lab

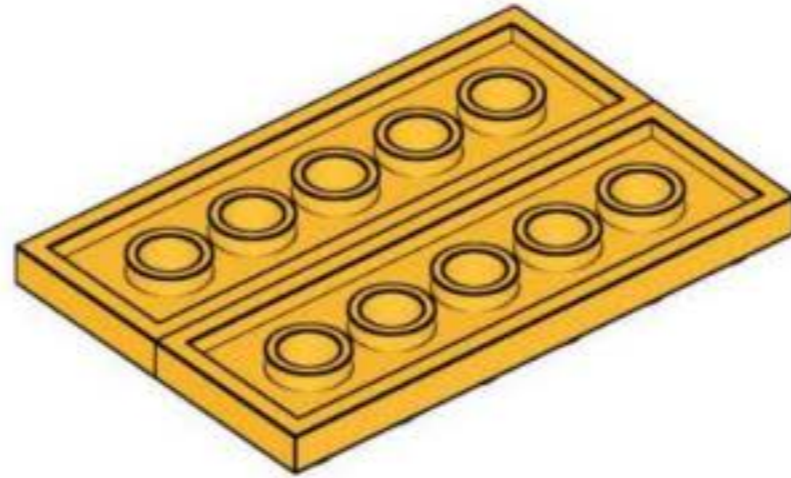
Gergert's lab



Gergert's lab

Gergert's lab

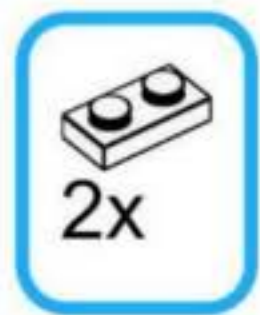
Gergert's lab



Gergert's lab

Gergert's lab

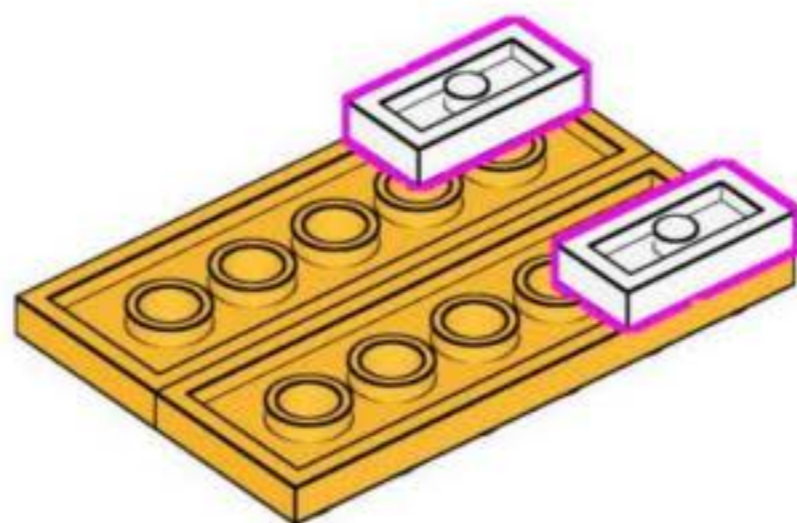
Gergert's lab



Gergert's lab

Gergert's lab

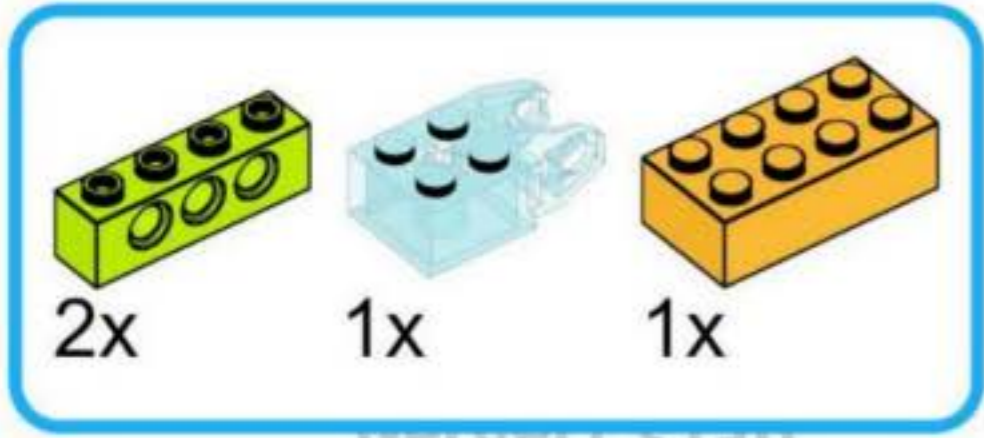
Gergert's lab



Gergert's lab

Gergert's lab

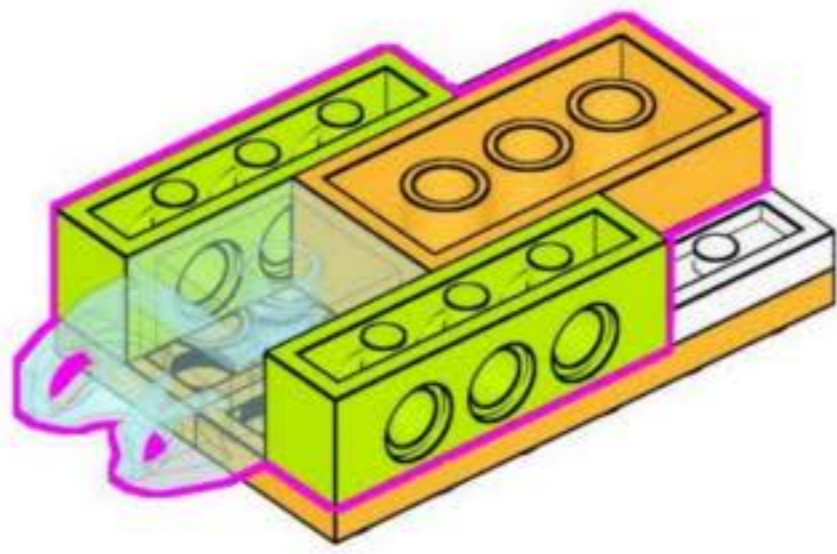
Gergert's lab



Gergert's lab

Gergert's lab

Gergert's lab



Gergert's lab

Gergert's lab

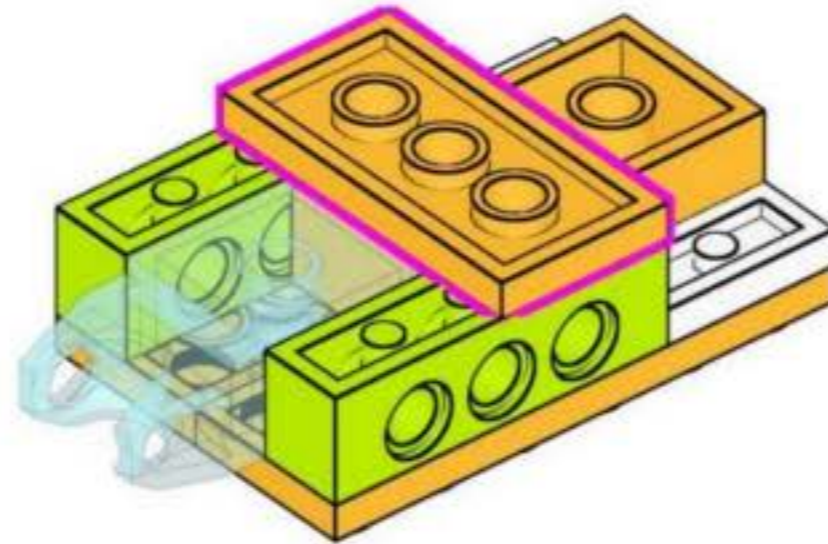
Gergert's lab



Gergert's lab

Gergert's lab

Gergert's lab



Gergert's lab

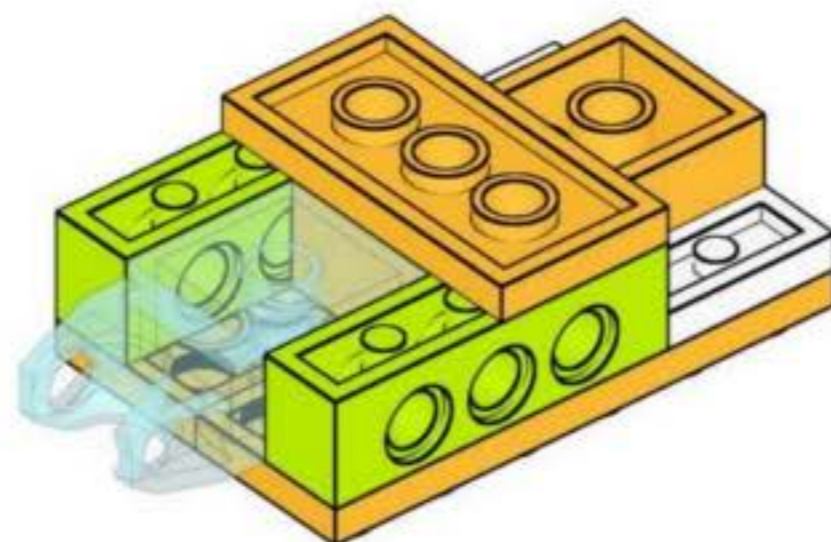
Gergert's lab

Gergert's lab

Gergert's lab

Gergert's lab

Gergert's lab



Gergert's lab

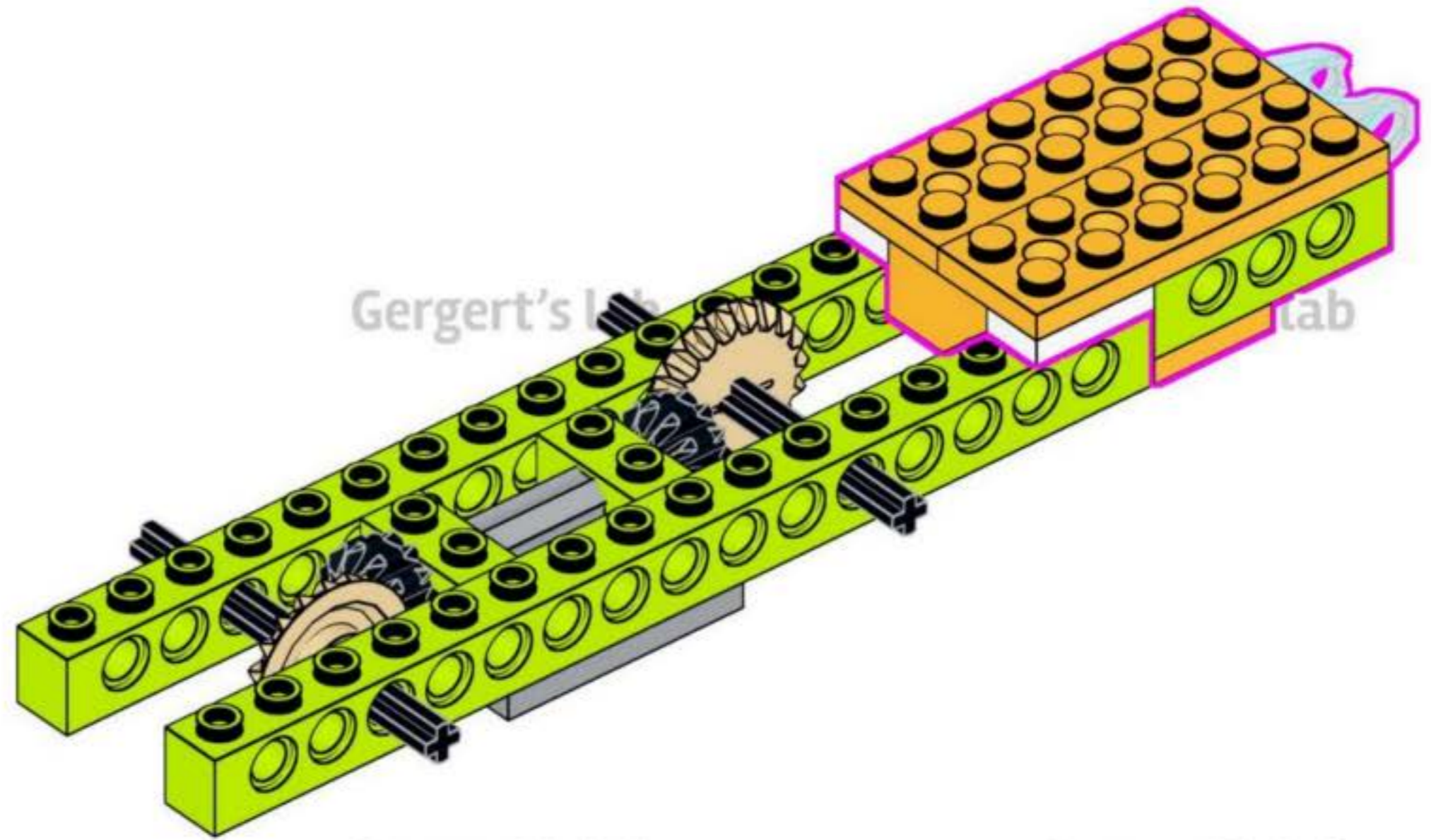
Gergert's lab

Gergert's lab

Gergert's lab

Gergert's lab

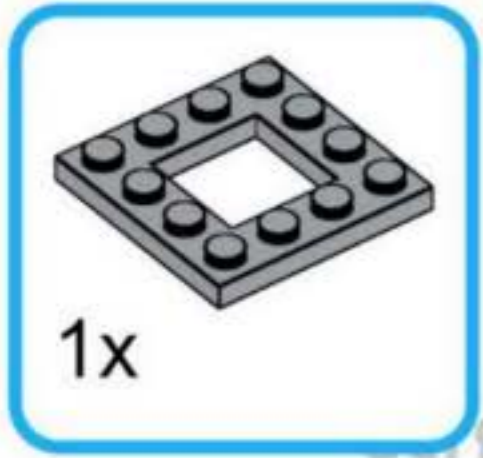
lab



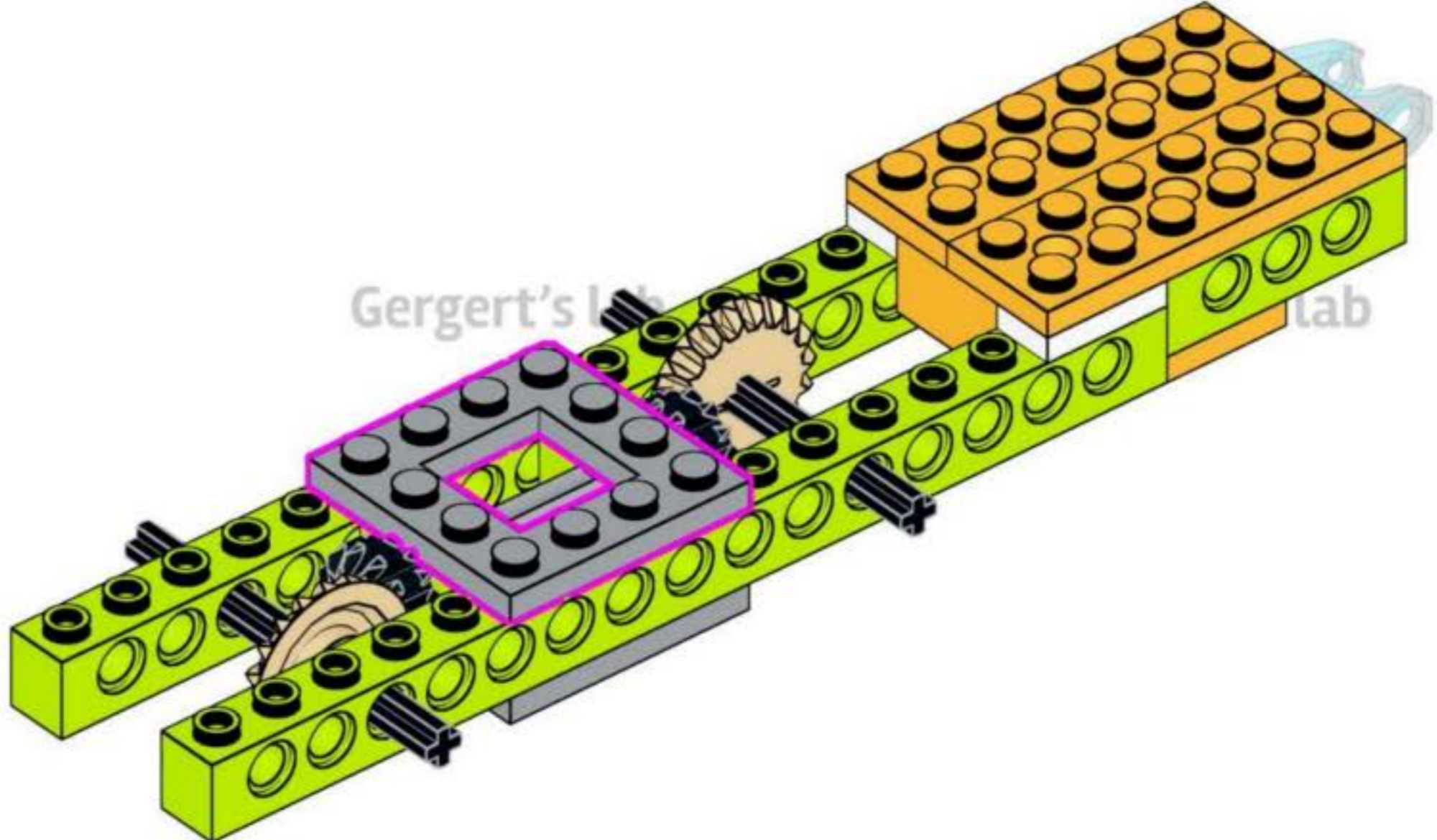
Gergert's lab

Gergert's lab

Gergert's lab



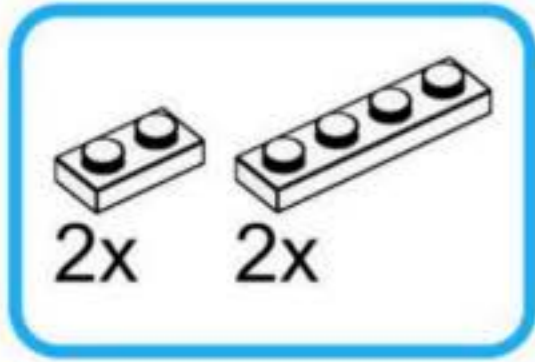
Gergert's lab



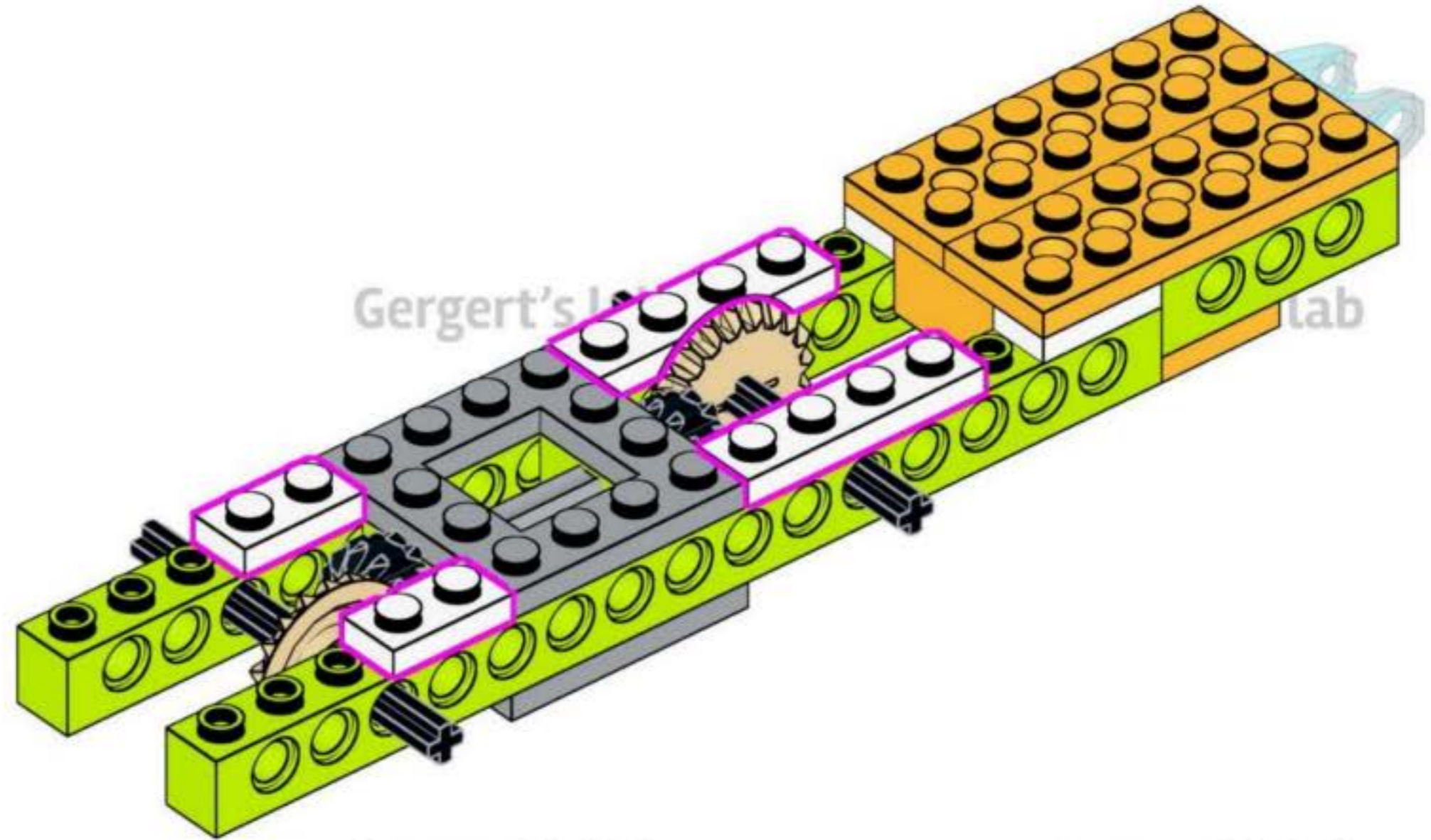
Gergert's lab

Gergert's lab

Gergert's lab



Gergert's lab

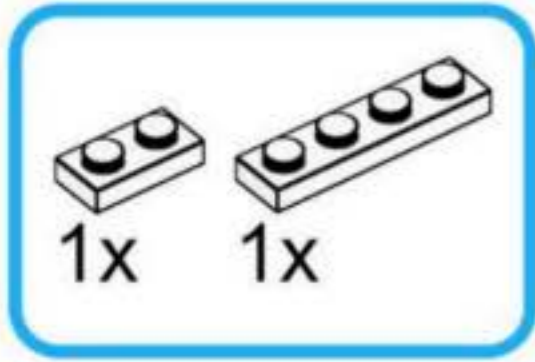


Gergert's lab

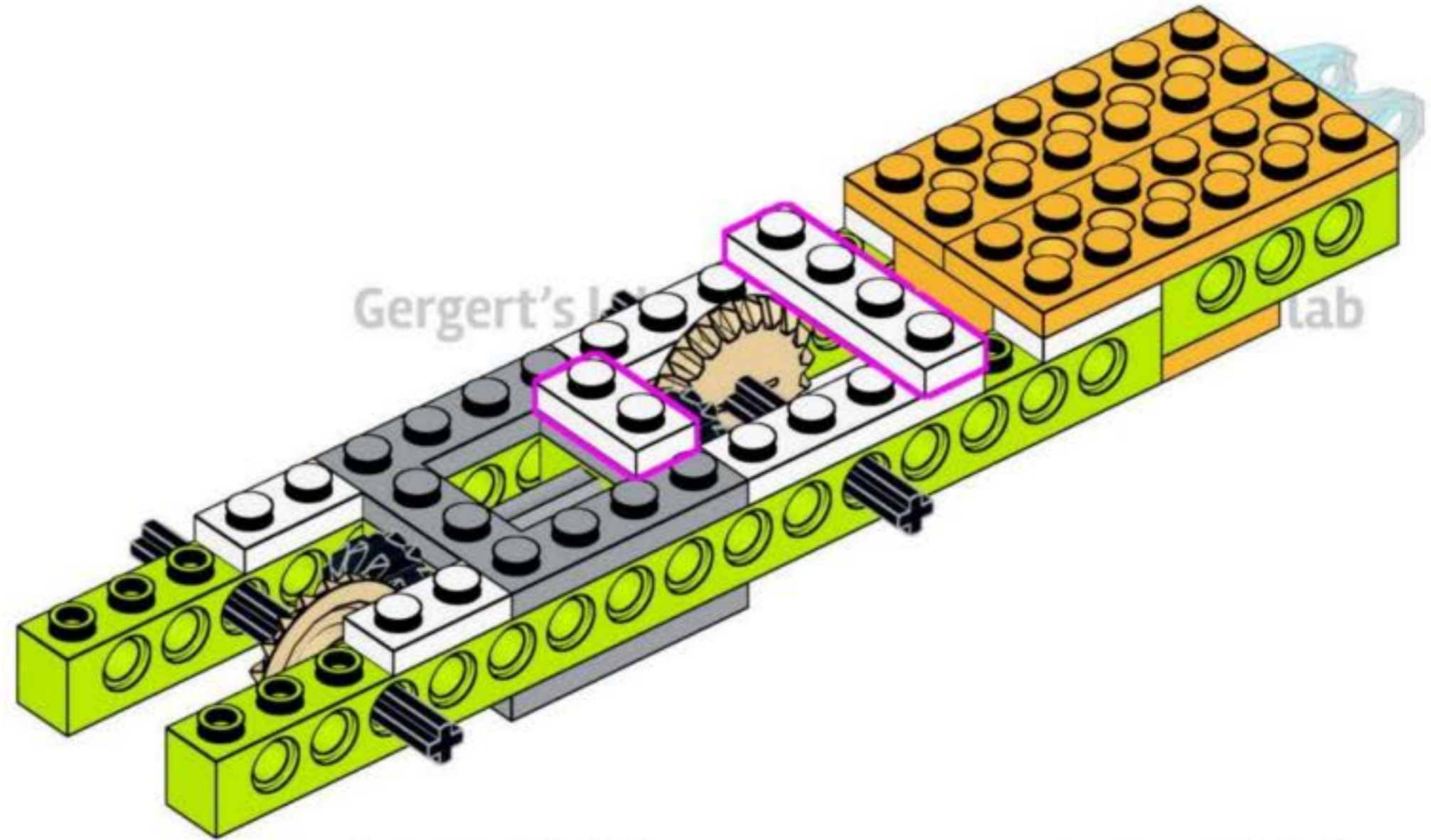
Gergert's lab

Gergert's lab

Gergert's lab



Gergert's lab

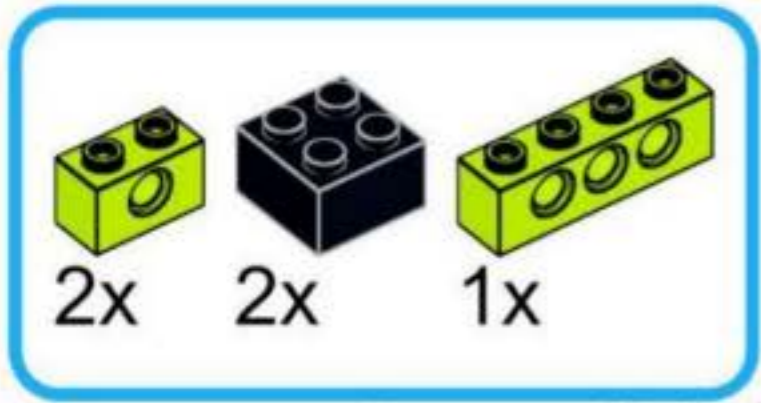


Gergert's lab

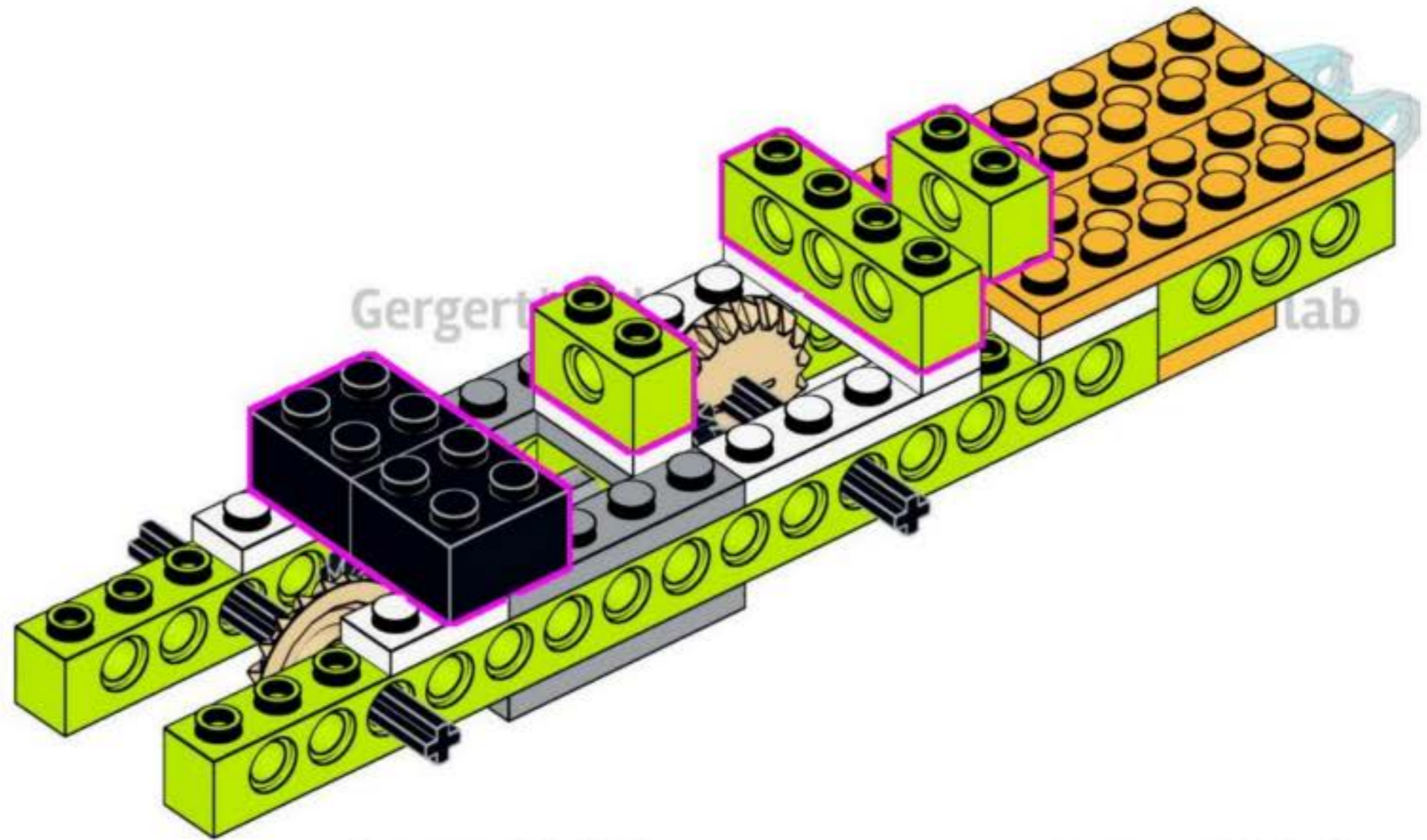
Gergert's lab

Gergert's lab

Gergert's lab



Gergert's lab



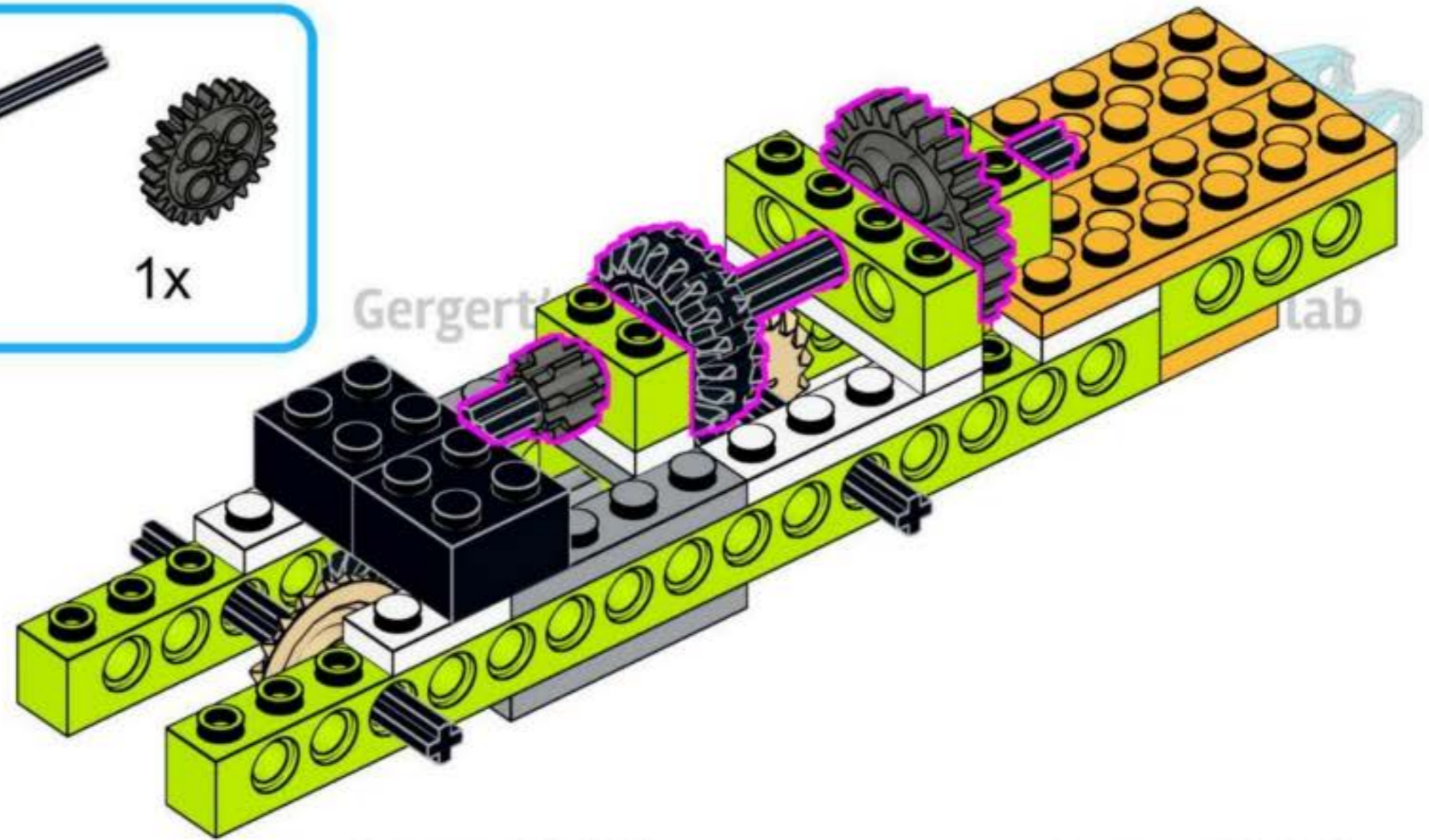
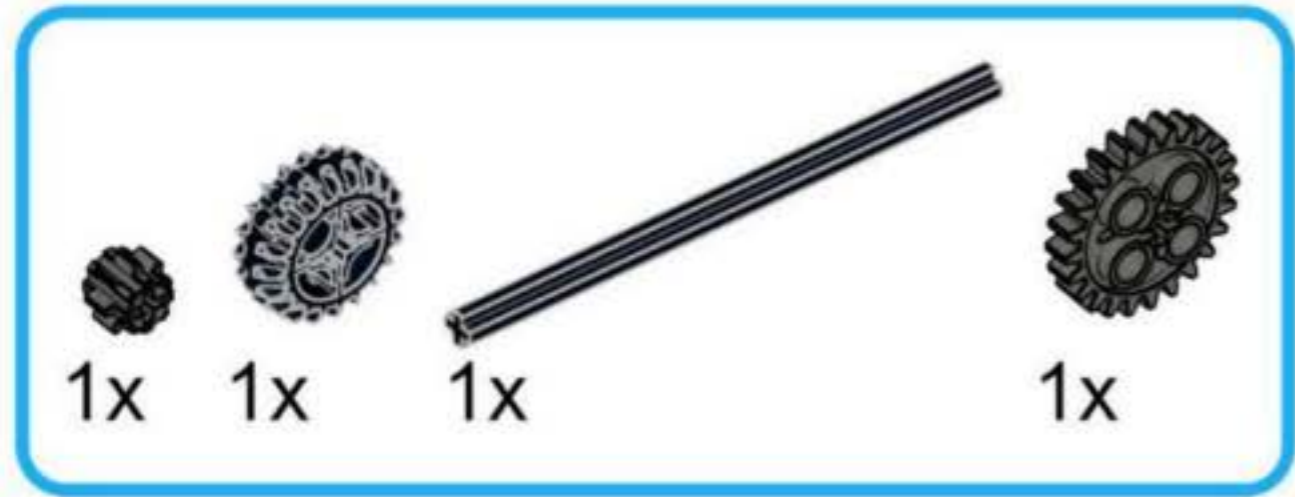
Gergert's lab

lab

Gergert's lab

Gergert's lab

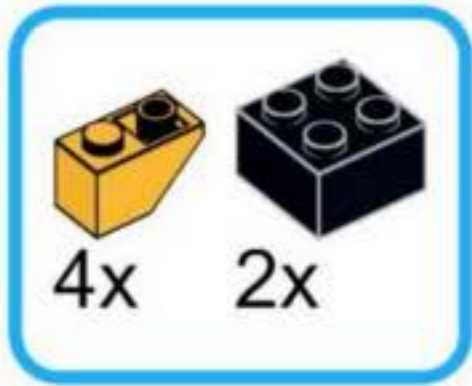
Gergert's lab



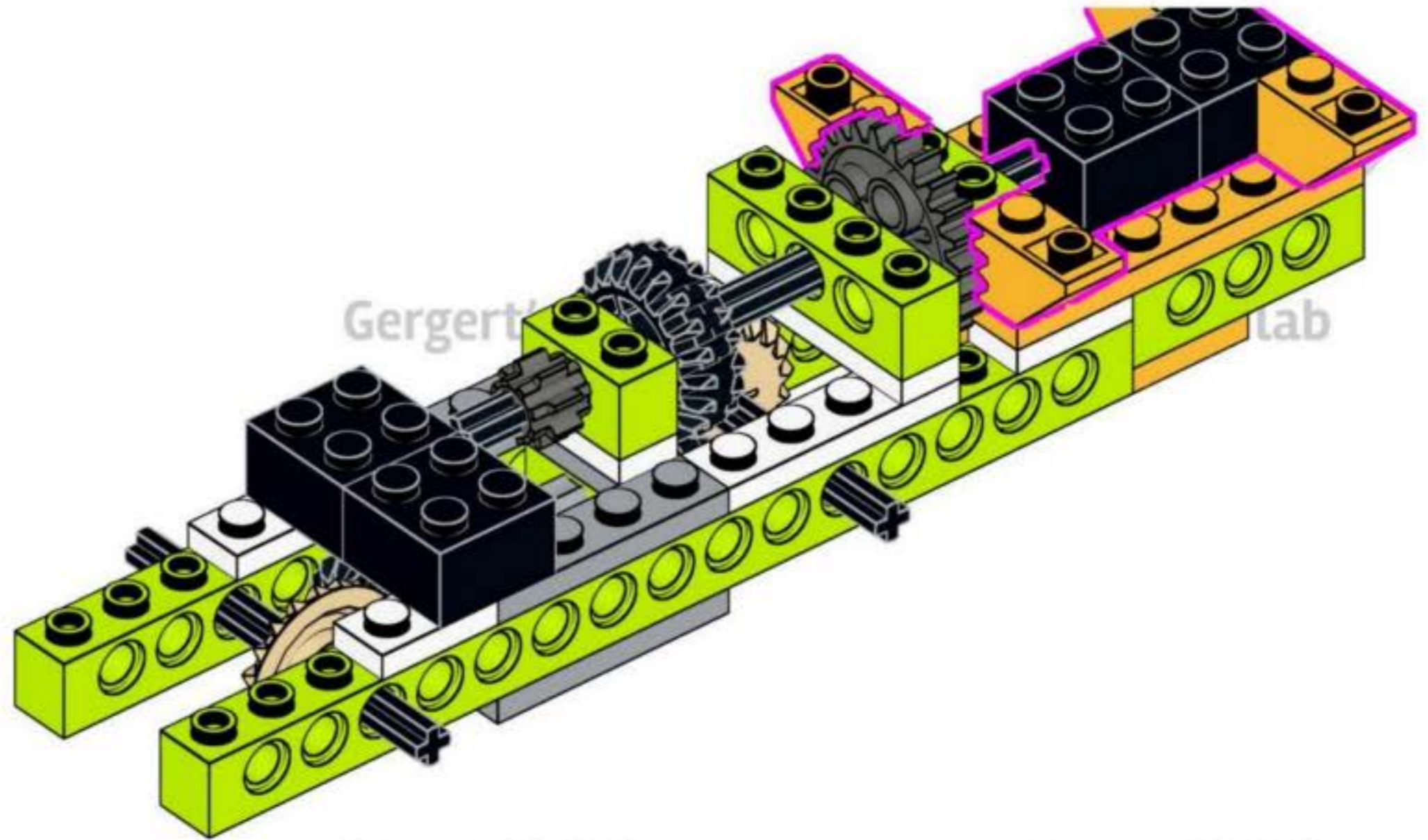
Gergert's lab

Gergert's lab

Gergert's lab



Gergert's lab



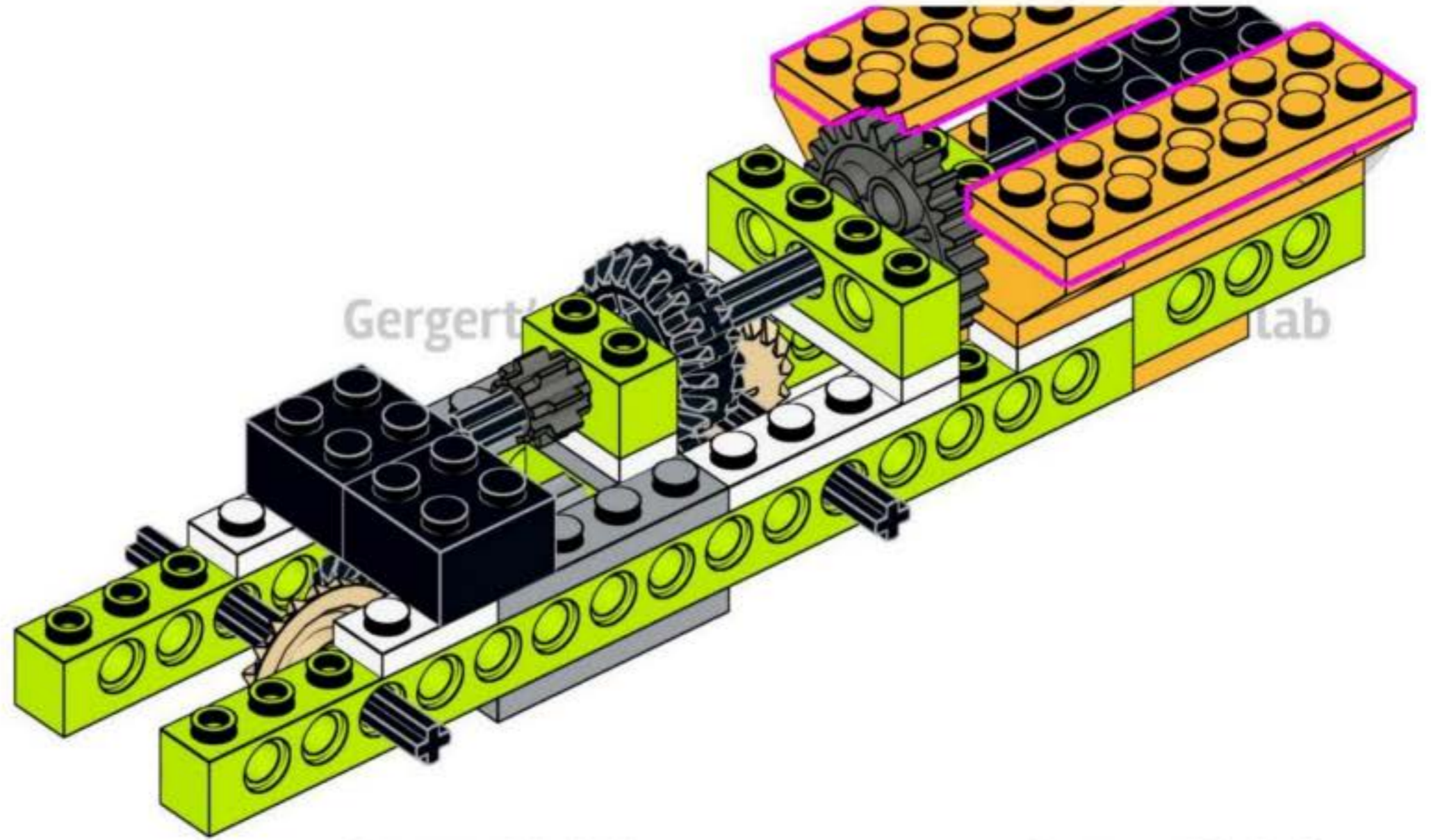
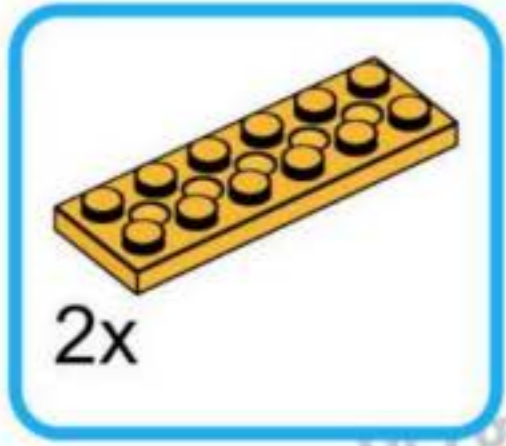
Gergert's lab

lab

Gergert's lab

Gergert's lab

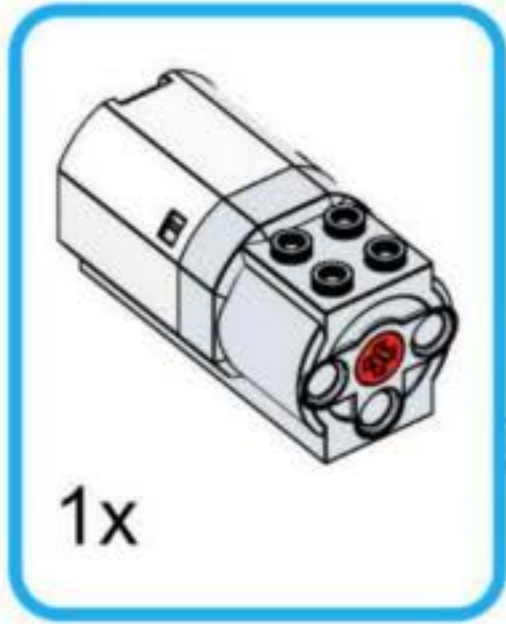
Gergert's lab



Gergert's lab

Gergert's lab

Gergert's lab

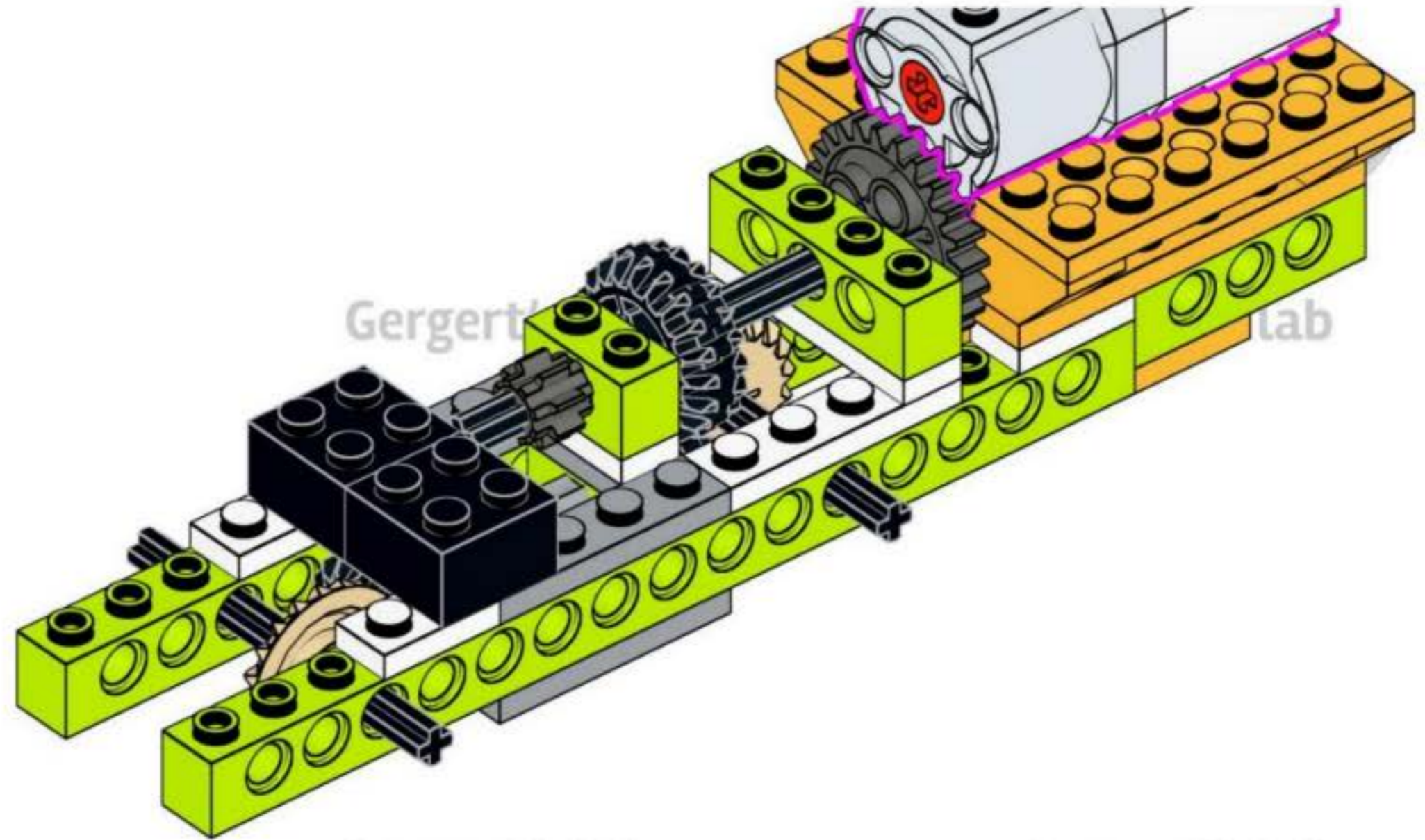


1x

Gergert's lab

Gergert's lab

Gergert's lab



Gergert's lab

Gergert's lab

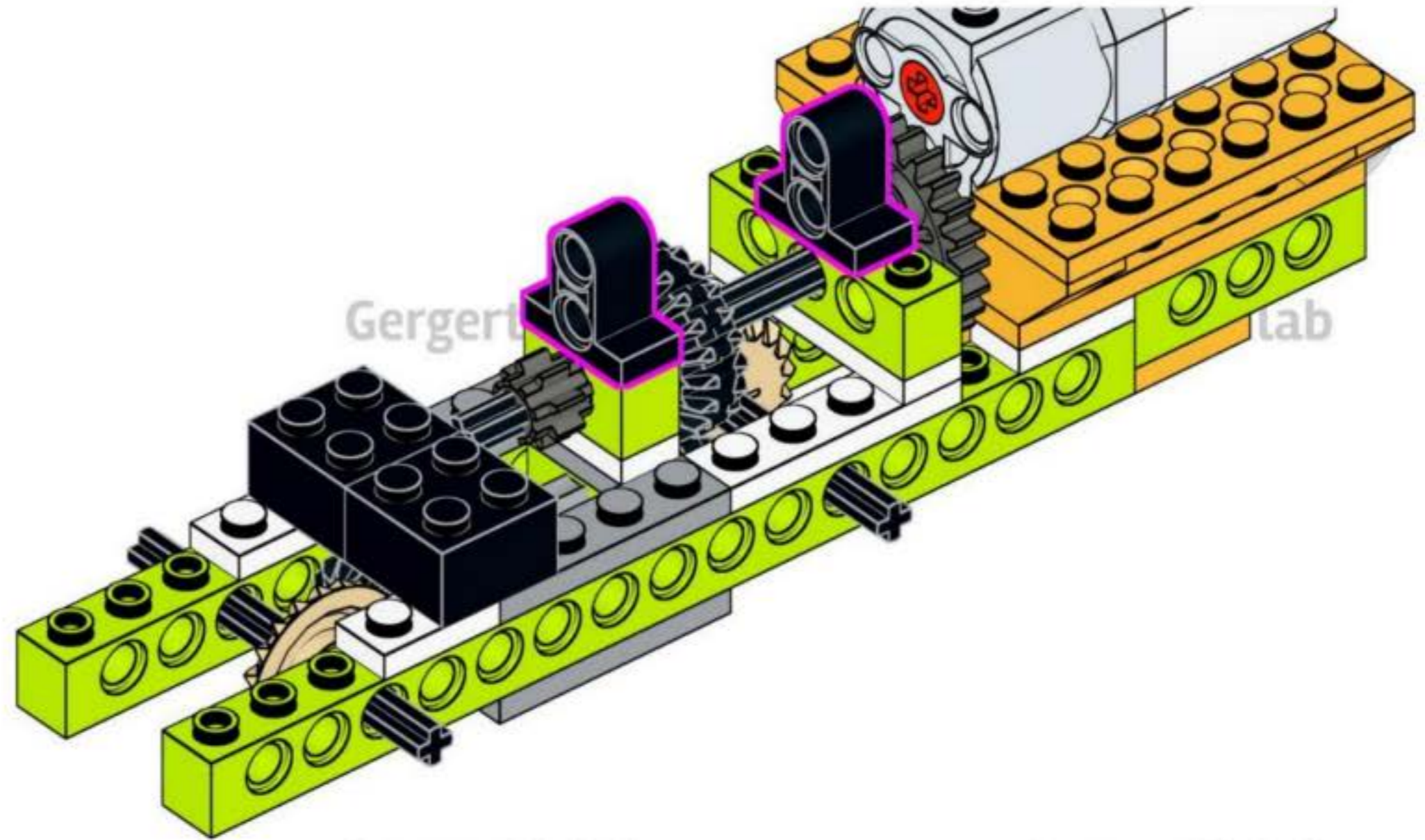
Gergert's lab



Gergert's lab

Gergert's lab

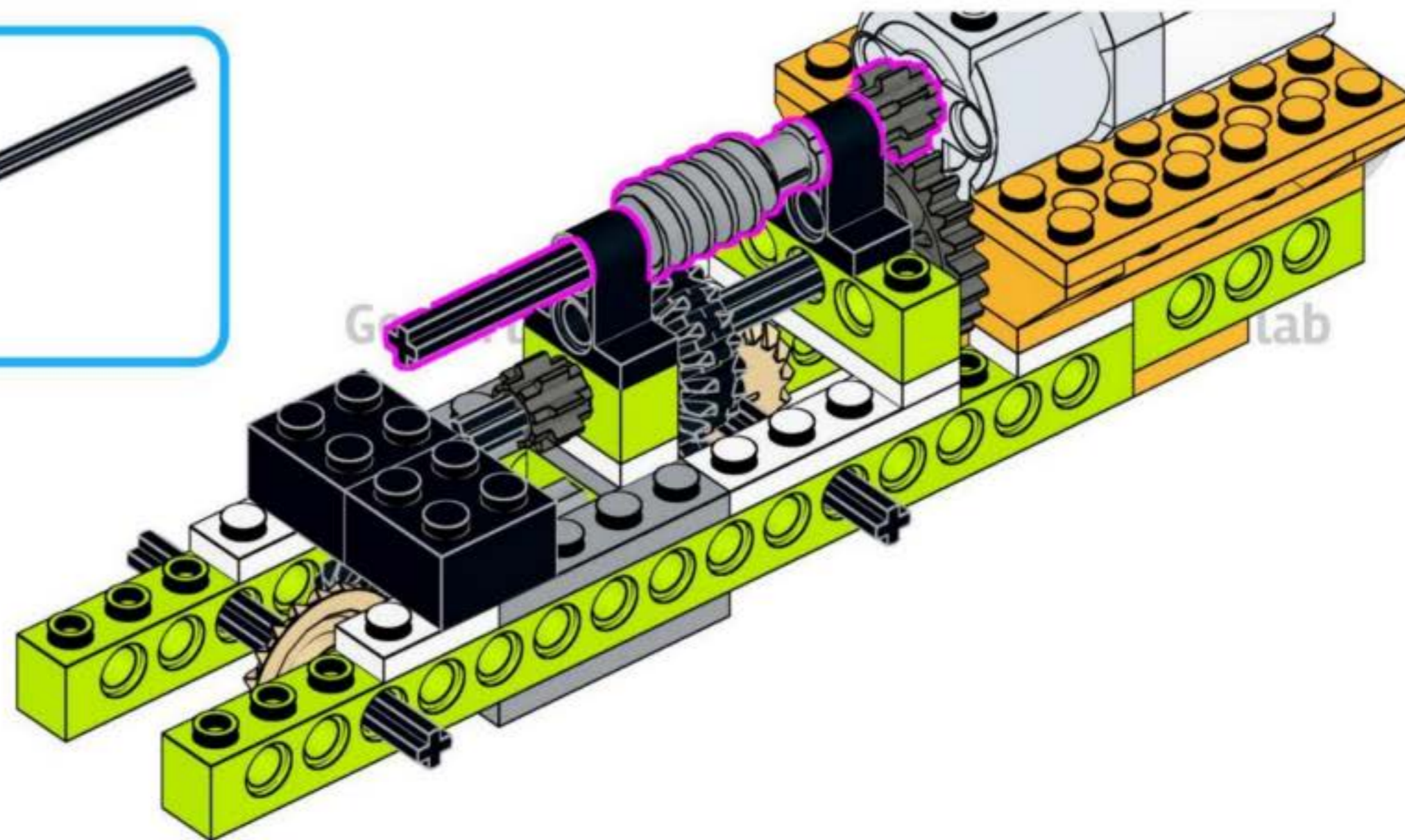
lab



Gergert's lab

Gergert's lab

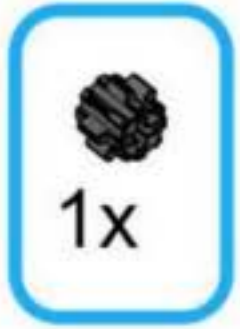
Gergert's lab



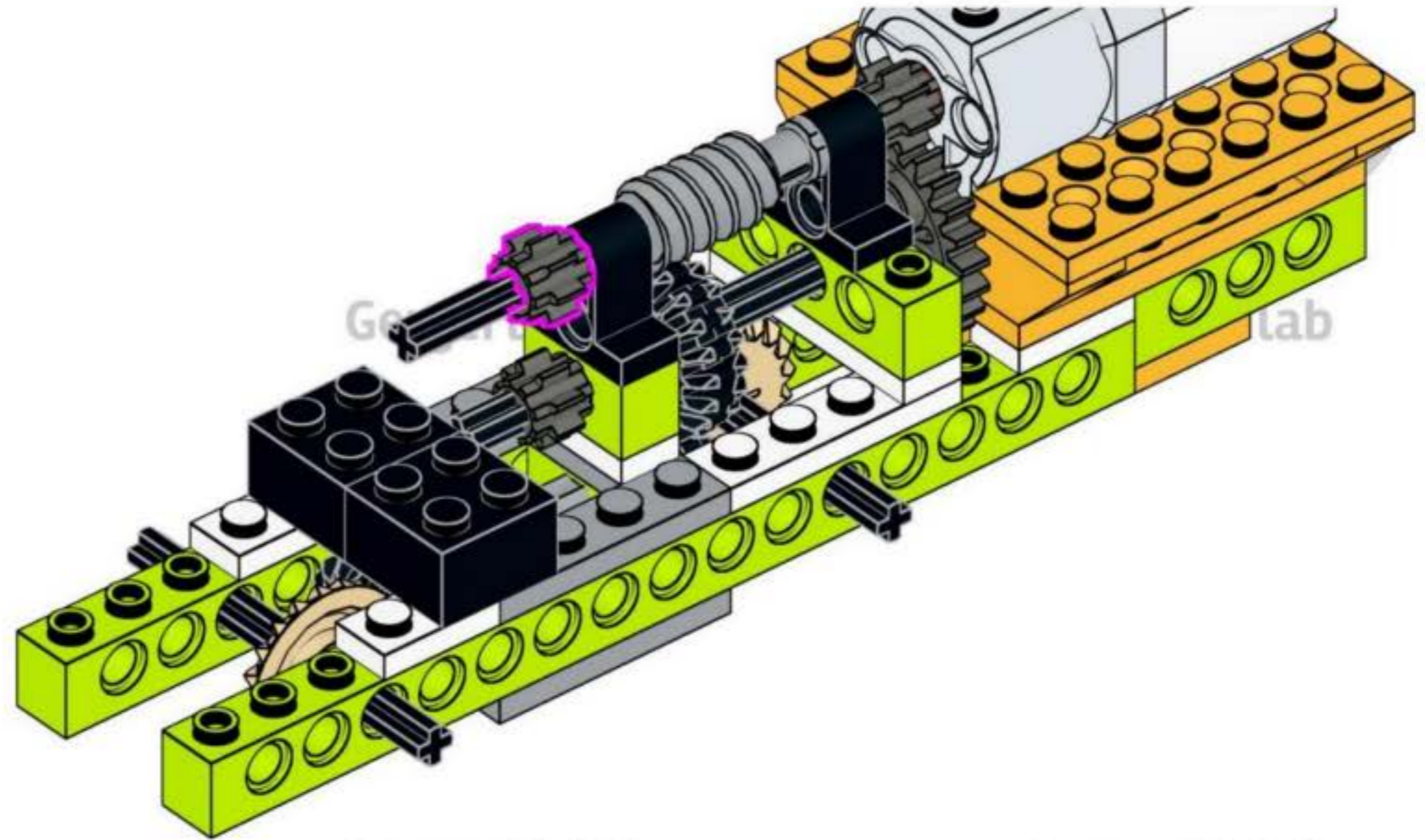
Gergert's lab

Gergert's lab

Gergert's lab



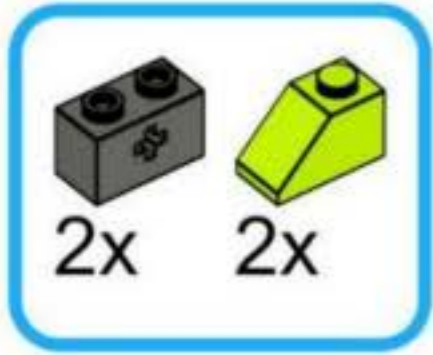
Gergert's lab



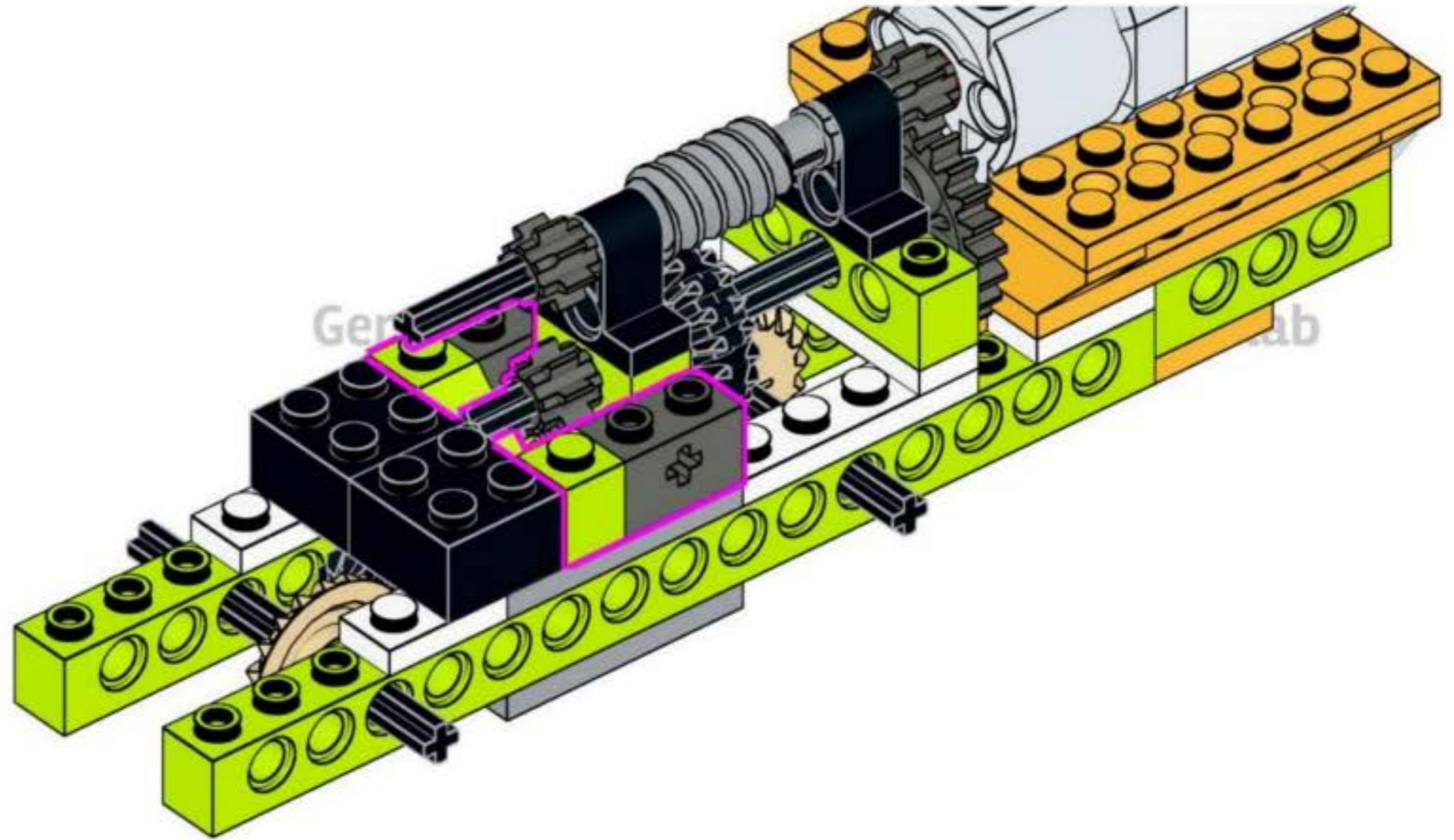
Gergert's lab

Gergert's lab

Gergert's lab



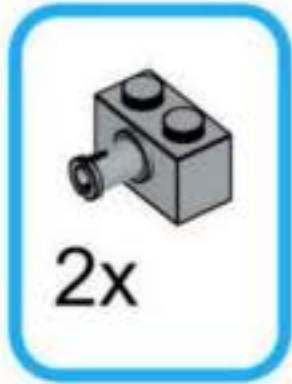
Gergert's lab



Gergert's lab

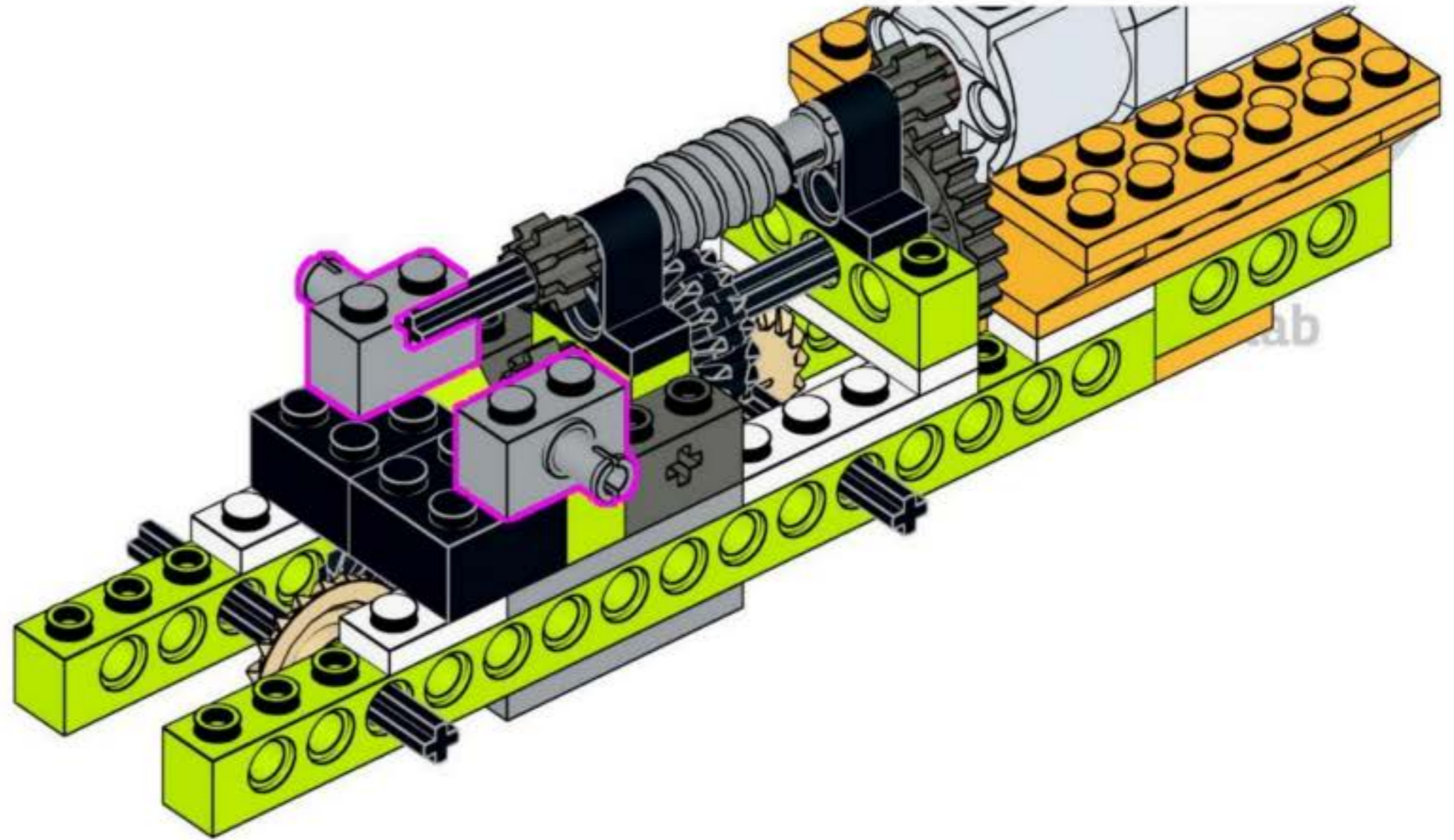
Gergert's lab

Gergert's lab



2x

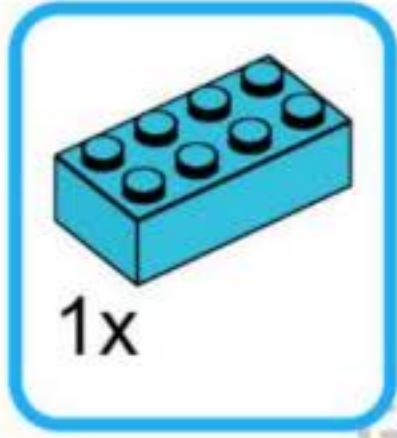
Gergert's lab



Gergert's lab

Gergert's lab

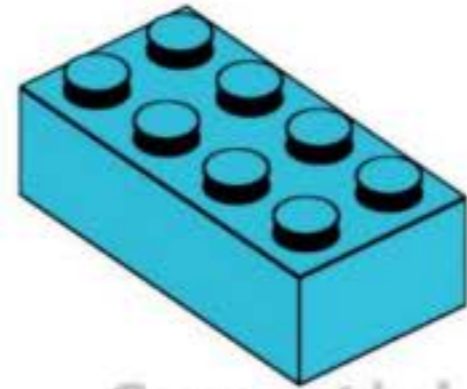
Gergert's lab



Gergert's lab

Gergert's lab

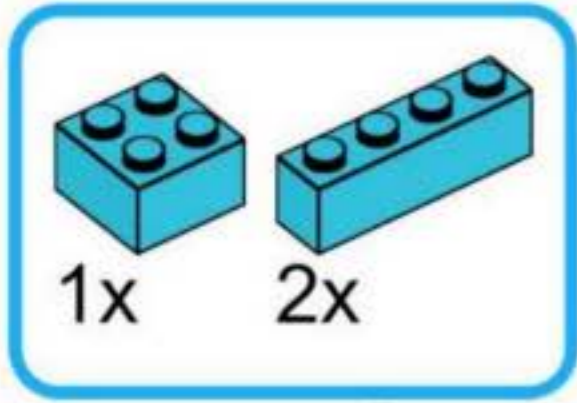
Gergert's lab



Gergert's lab

Gergert's lab

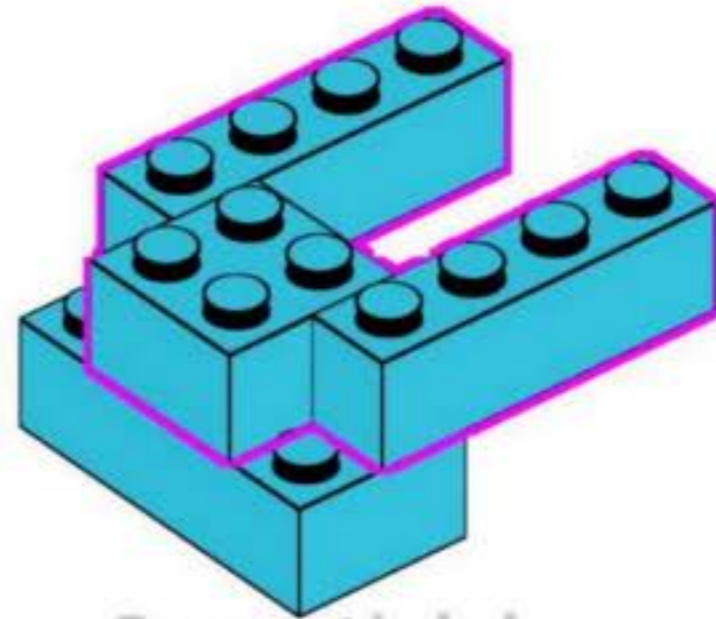
Gergert's lab



Gergert's lab

Gergert's lab

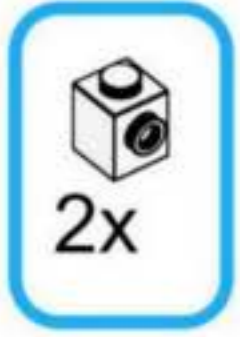
Gergert's lab



Gergert's lab

Gergert's lab

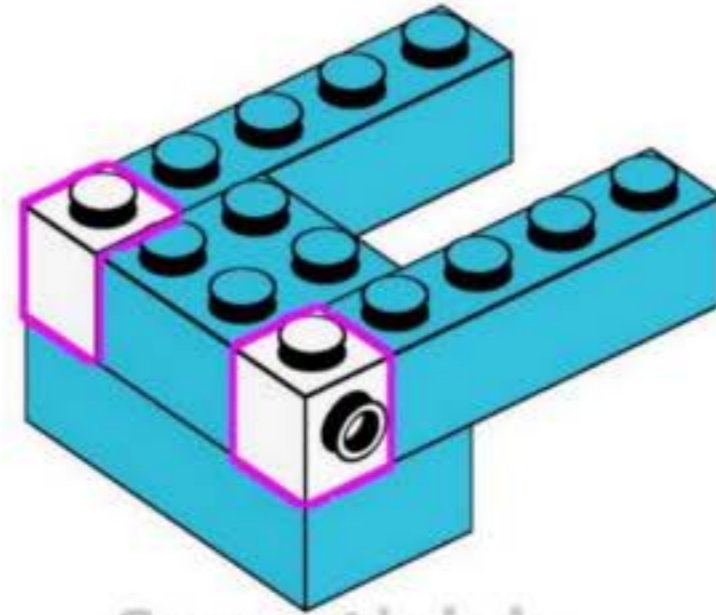
Gergert's lab



Gergert's lab

Gergert's lab

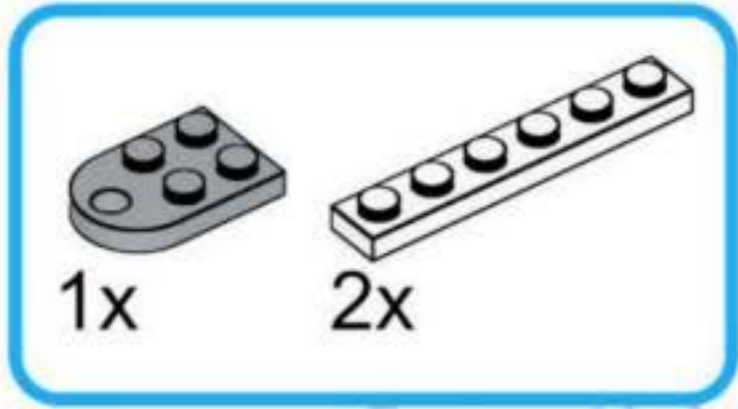
Gergert's lab



Gergert's lab

Gergert's lab

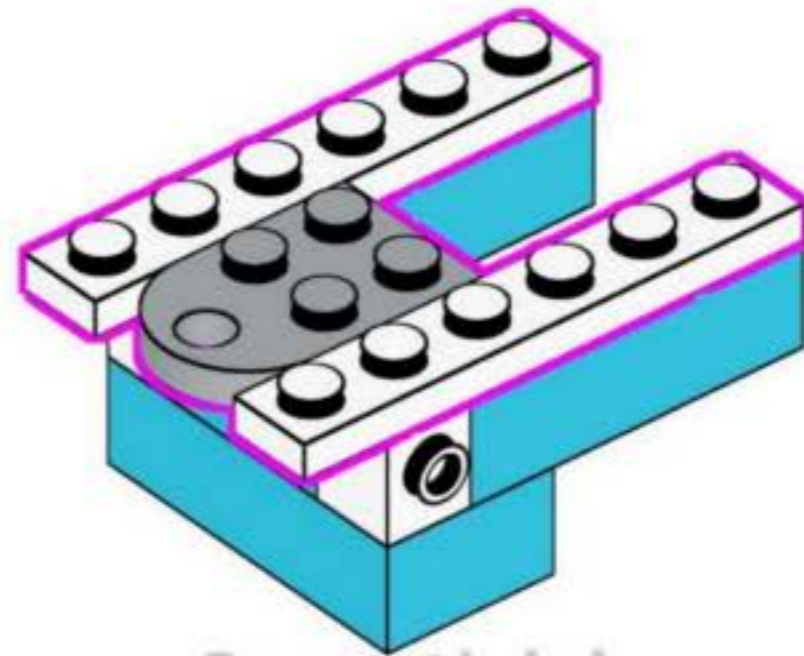
Gergert's lab



Gergert's lab

Gergert's lab

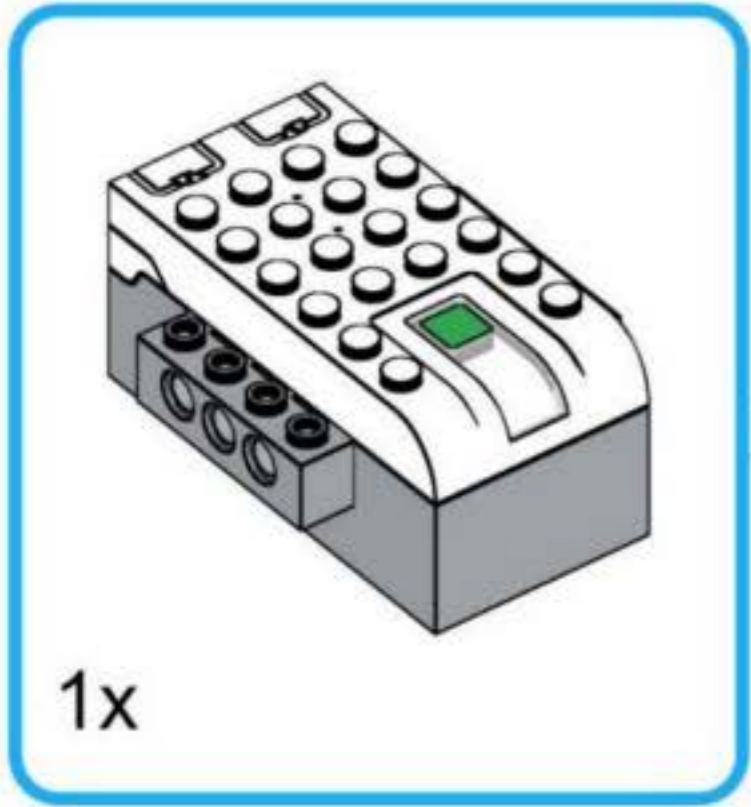
Gergert's lab



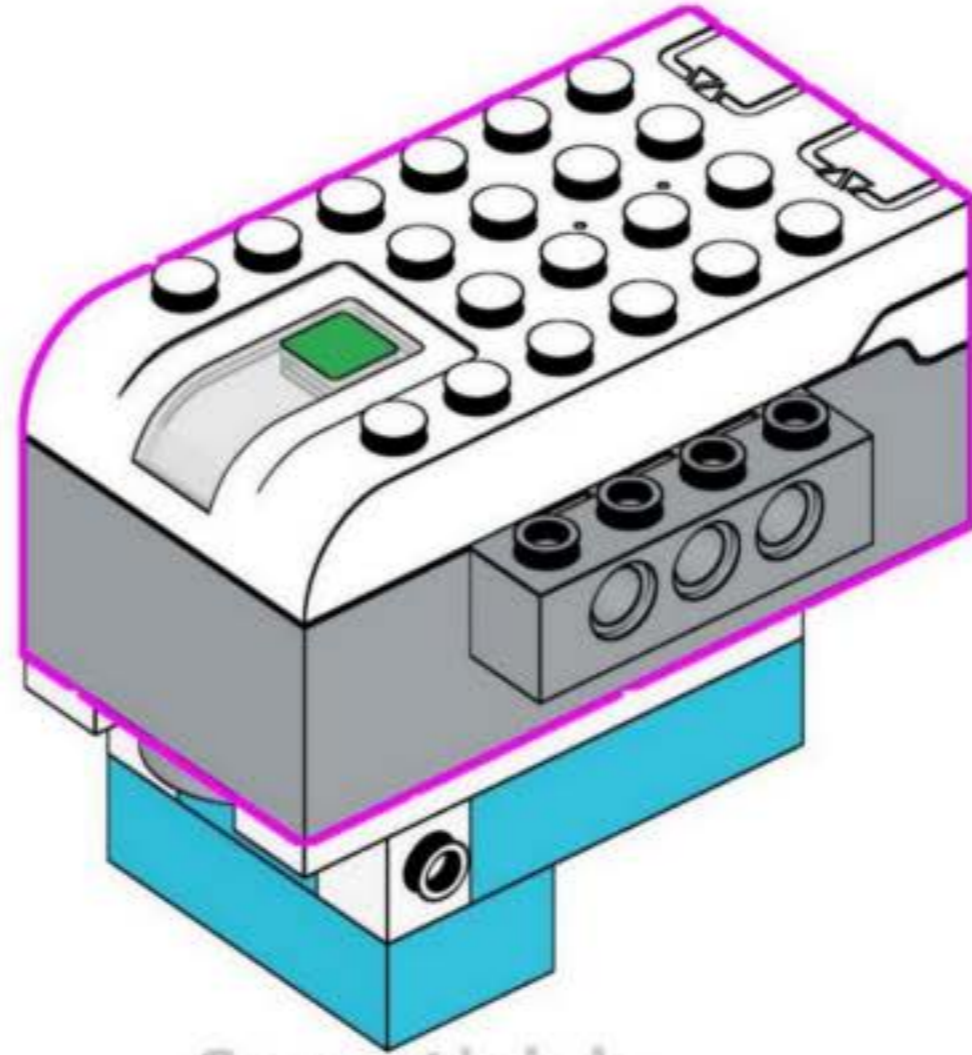
Gergert's lab

Gergert's lab

Gergert's lab



b



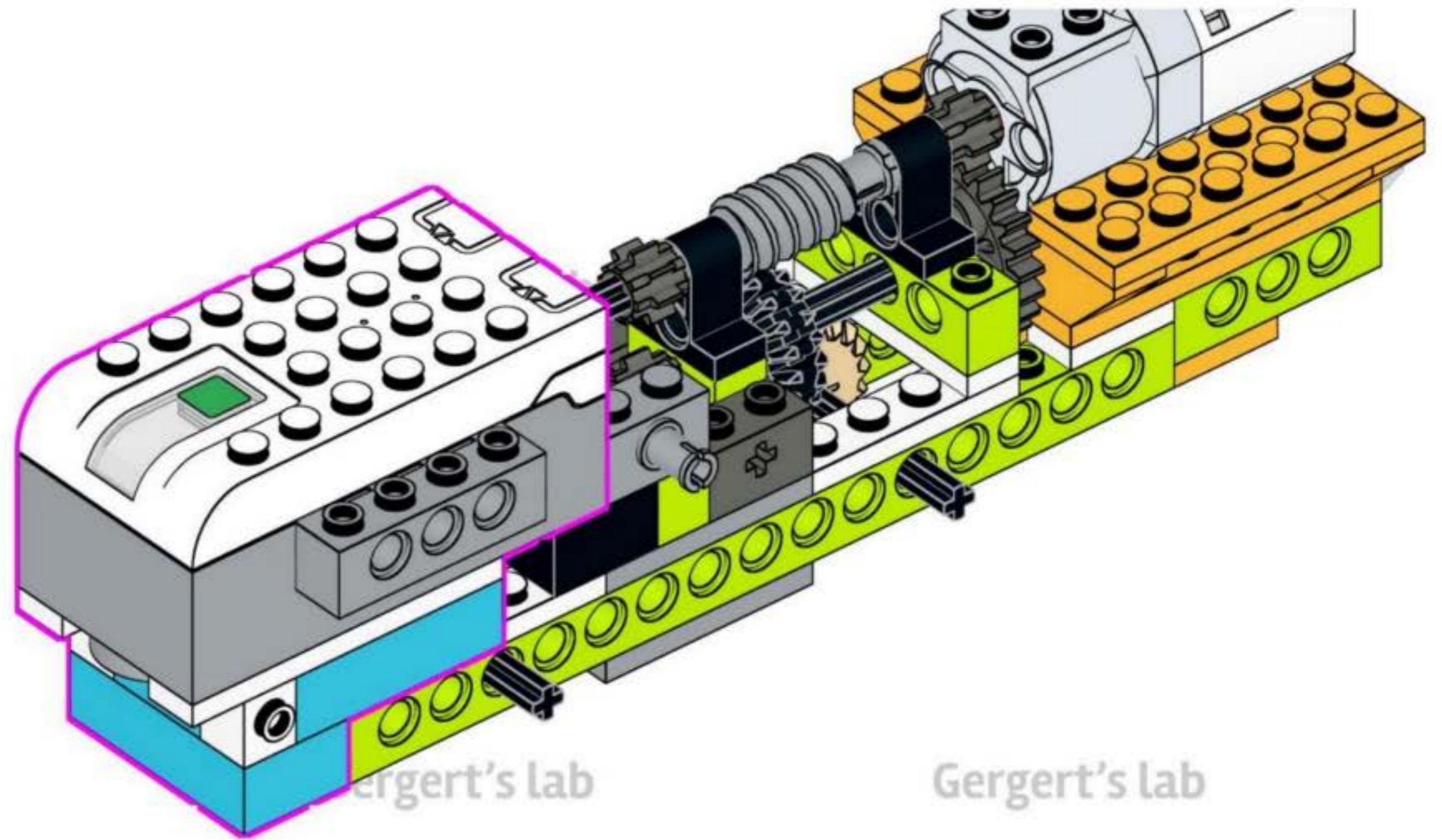
Gergert's lab

Gergert's lab

Gergert's lab

Gergert's lab

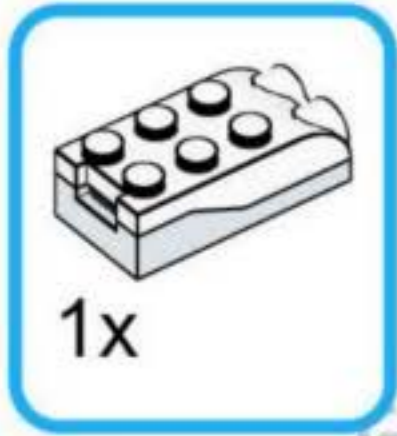
Gergert's lab



Gergert's lab

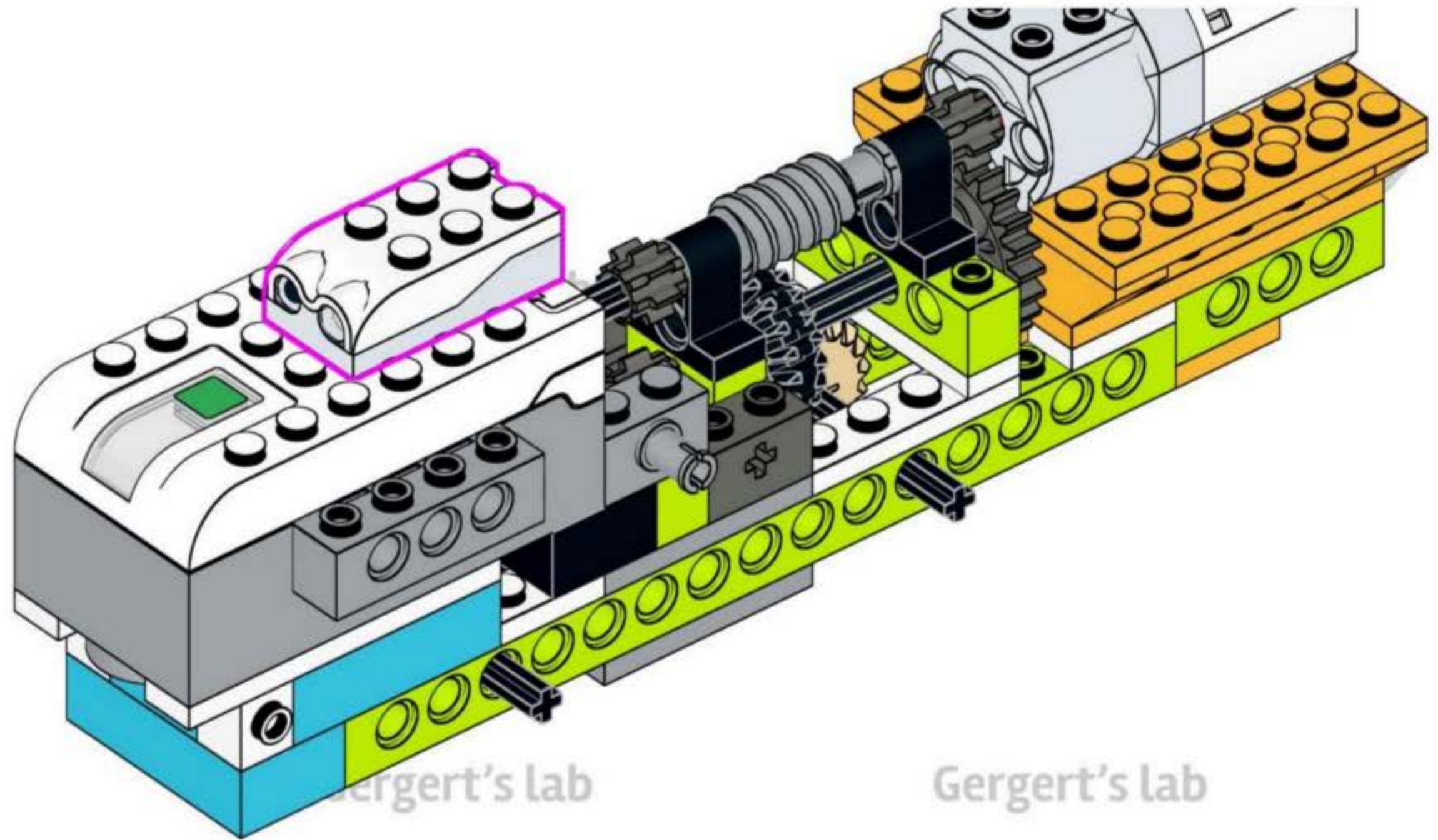
Gergert's lab

Gergert's lab



1x

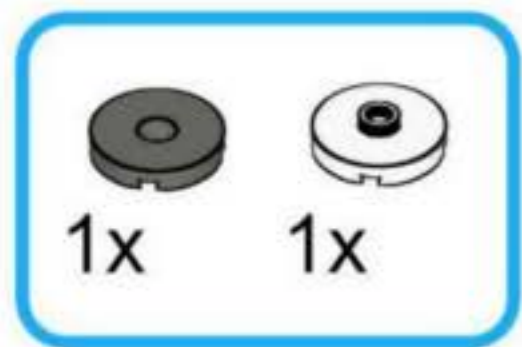
Gergert's lab



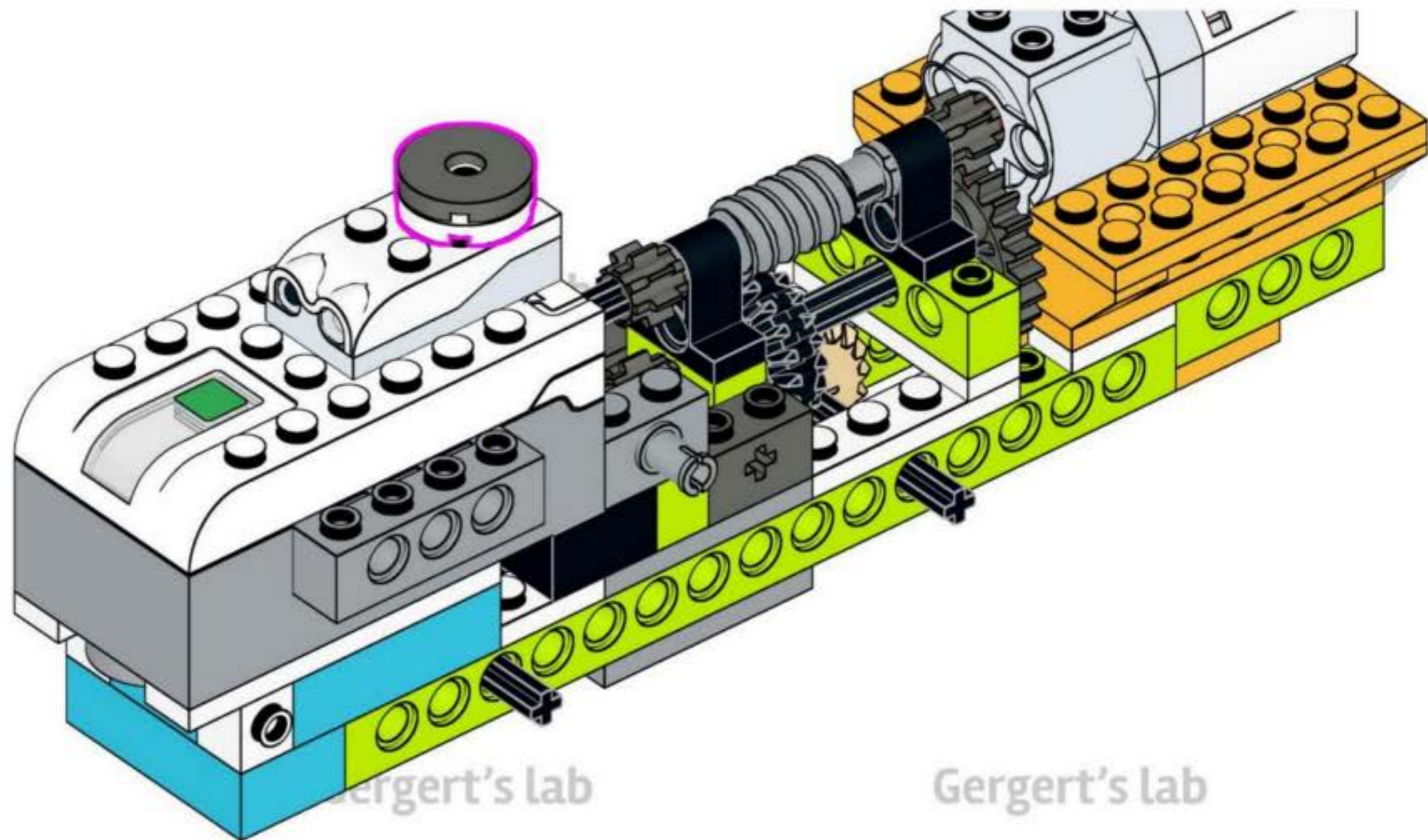
Gergert's lab

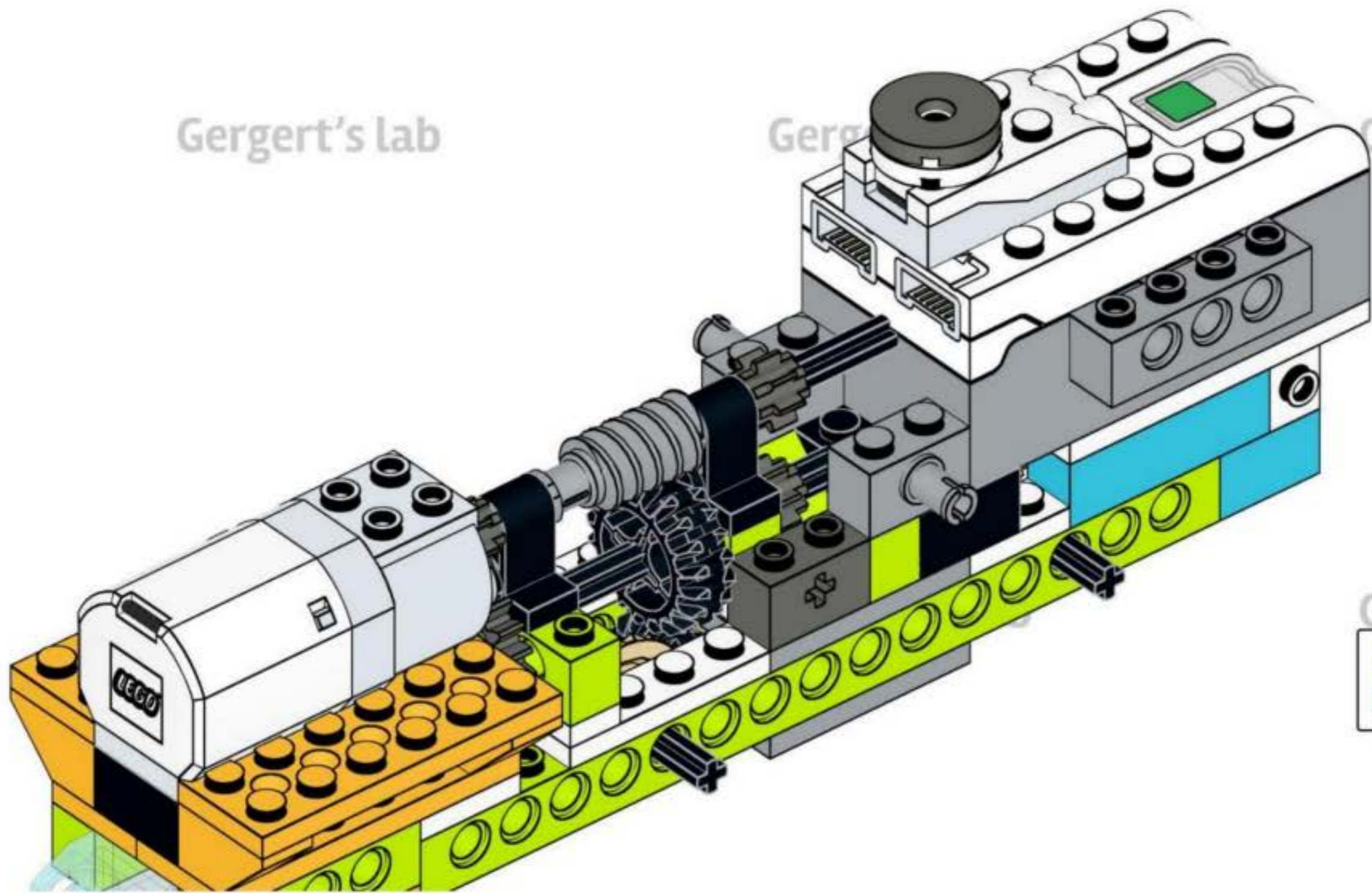
Gergert's lab

Gergert's lab



Gergert's lab





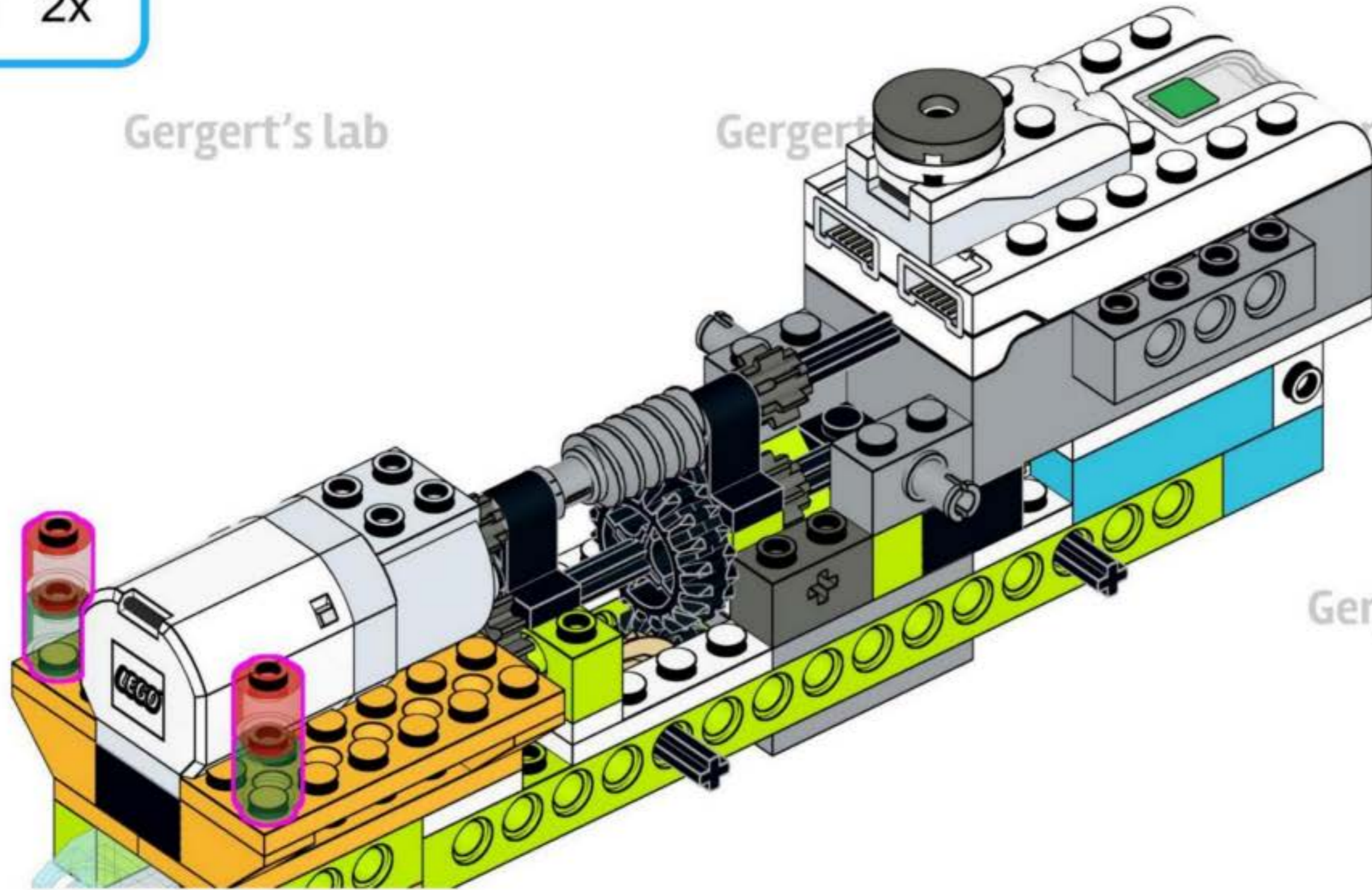
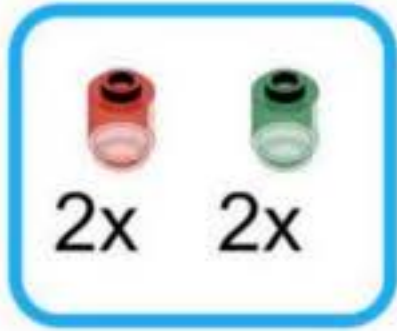
Gergert's lab

Gerg

Gergert's lab

Gergert's lab



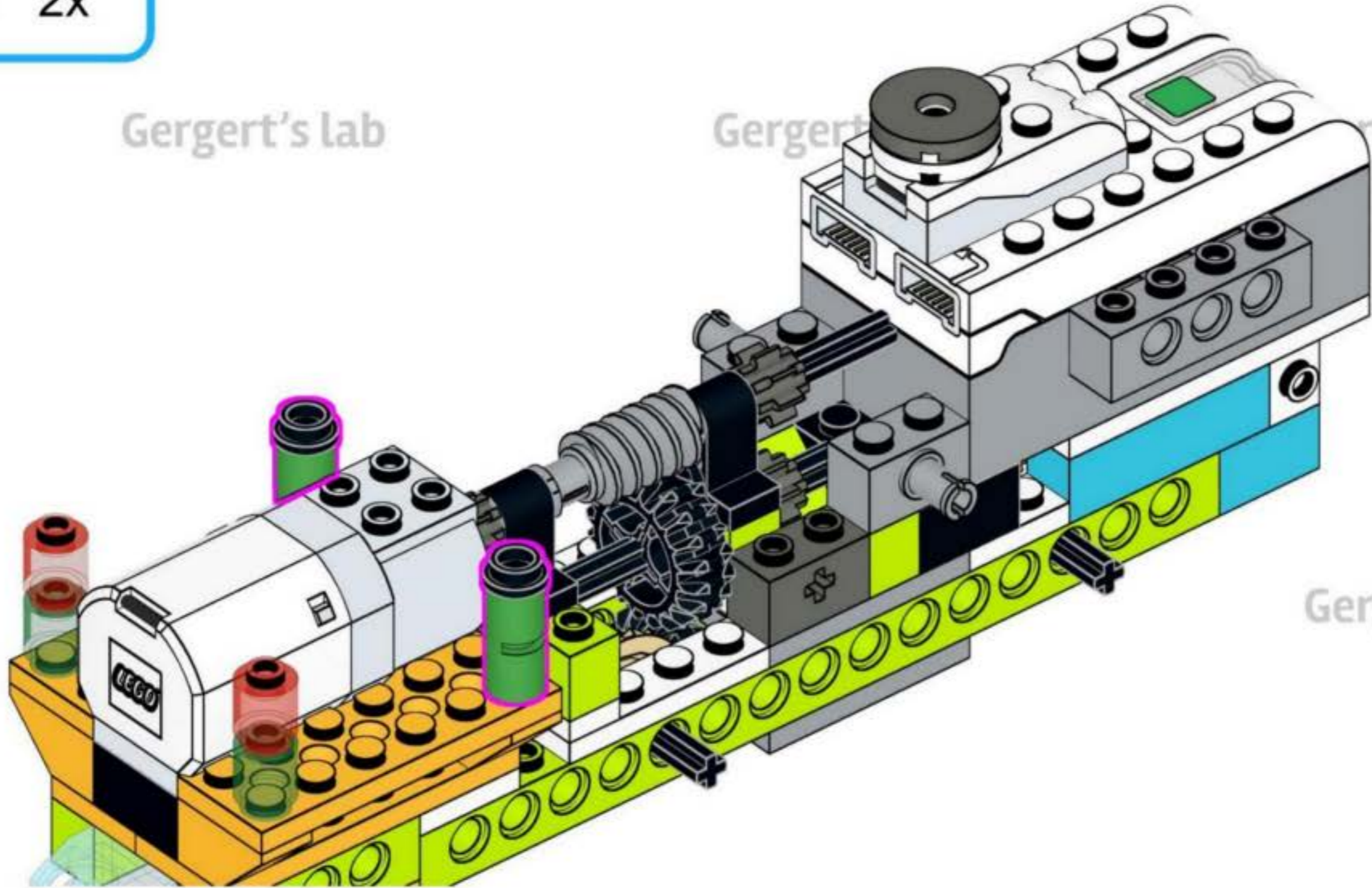
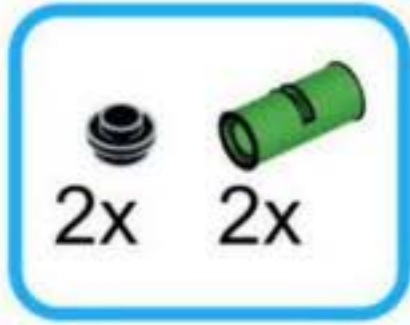


Gergert's lab

Gergert

rgert's lab

Gergert's lab

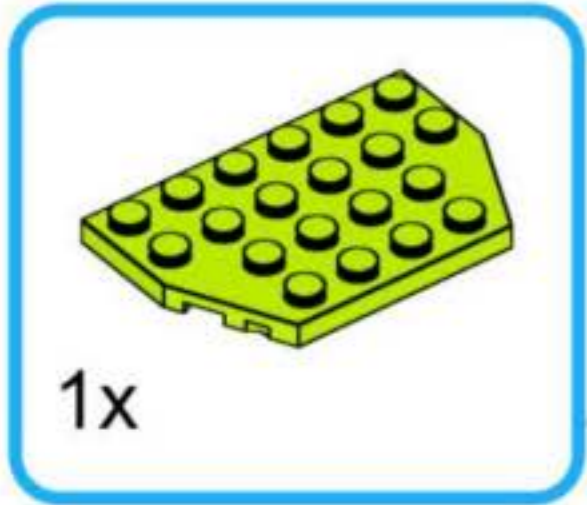


Gergert's lab

Gergert

rgert's lab

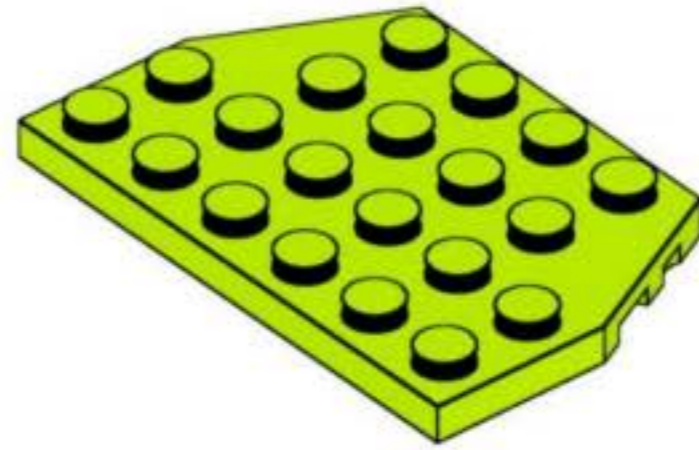
Gergert's lab



Gergert's lab

Gergert's lab

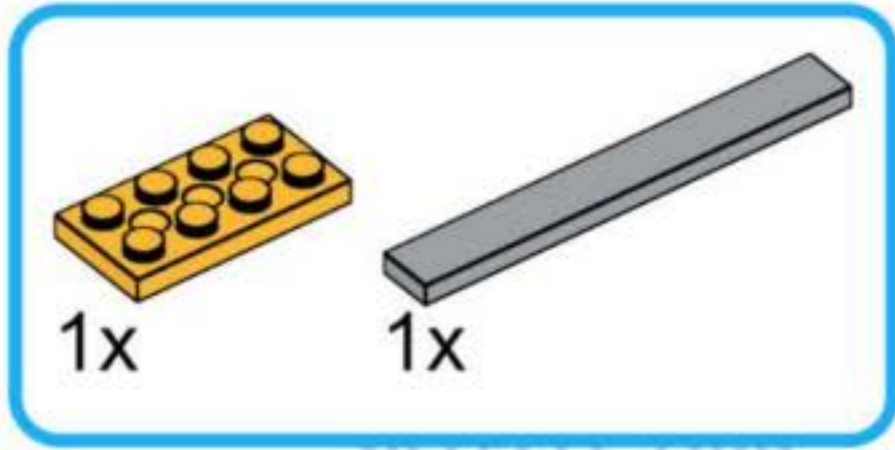
Gergert's lab



Gergert's lab

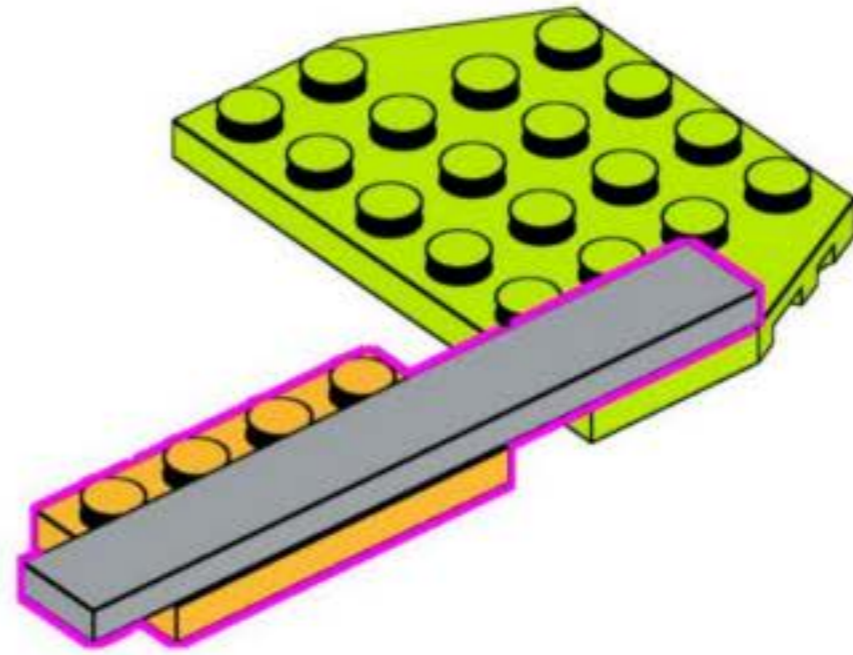
Gergert's lab

Gergert's lab



Gergert's lab

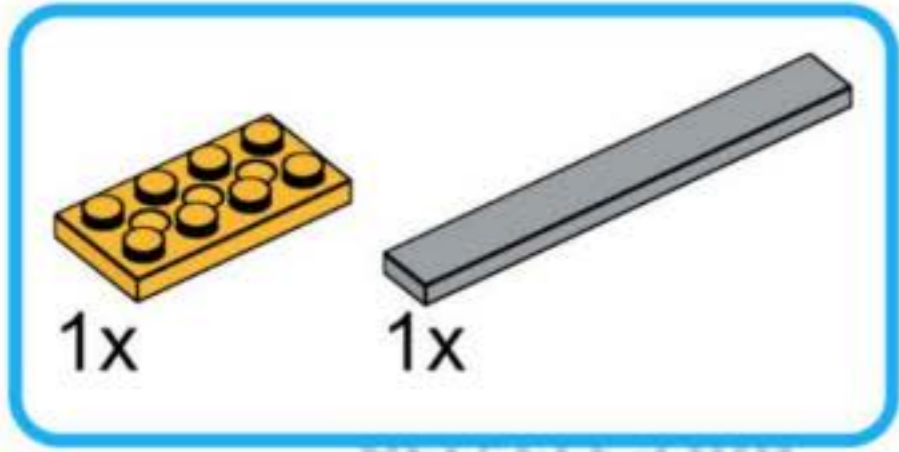
Gergert's lab



Gergert's lab

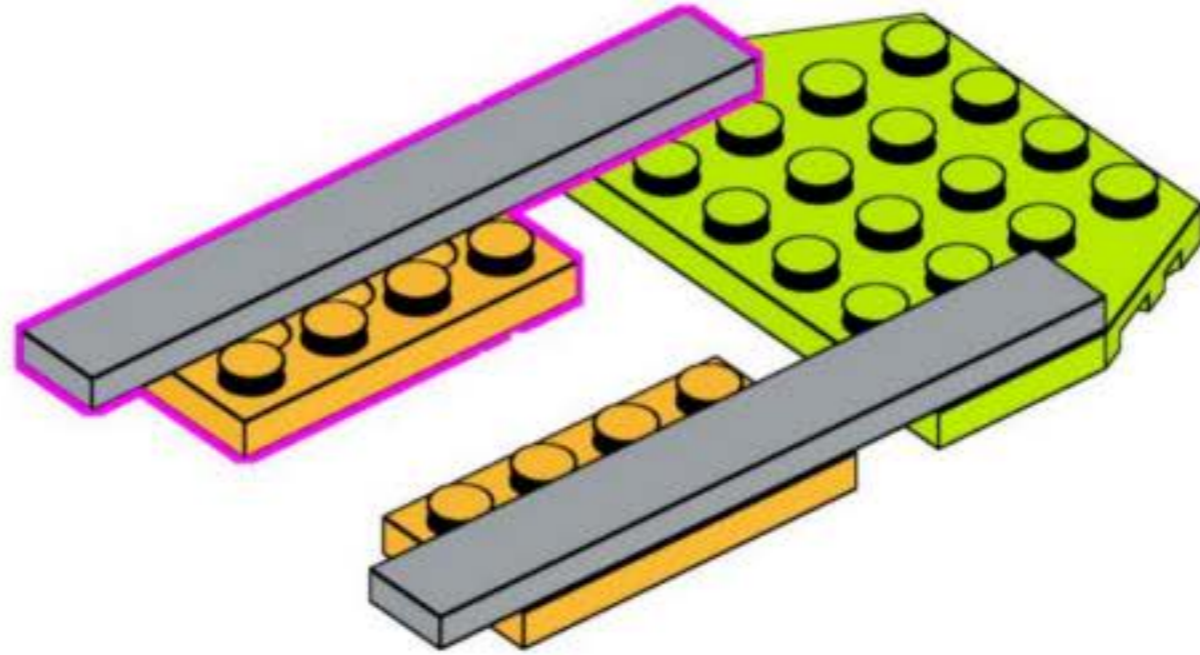
Gergert's lab

Gergert's lab



Gergert's lab

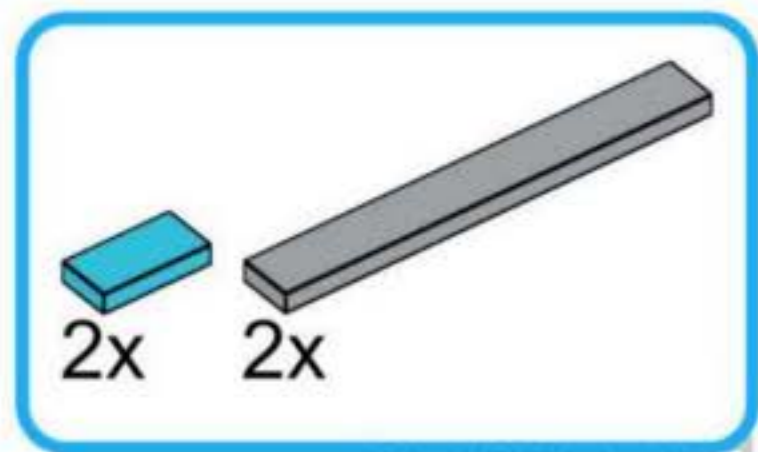
Gergert's lab



Gergert's lab

Gergert's lab

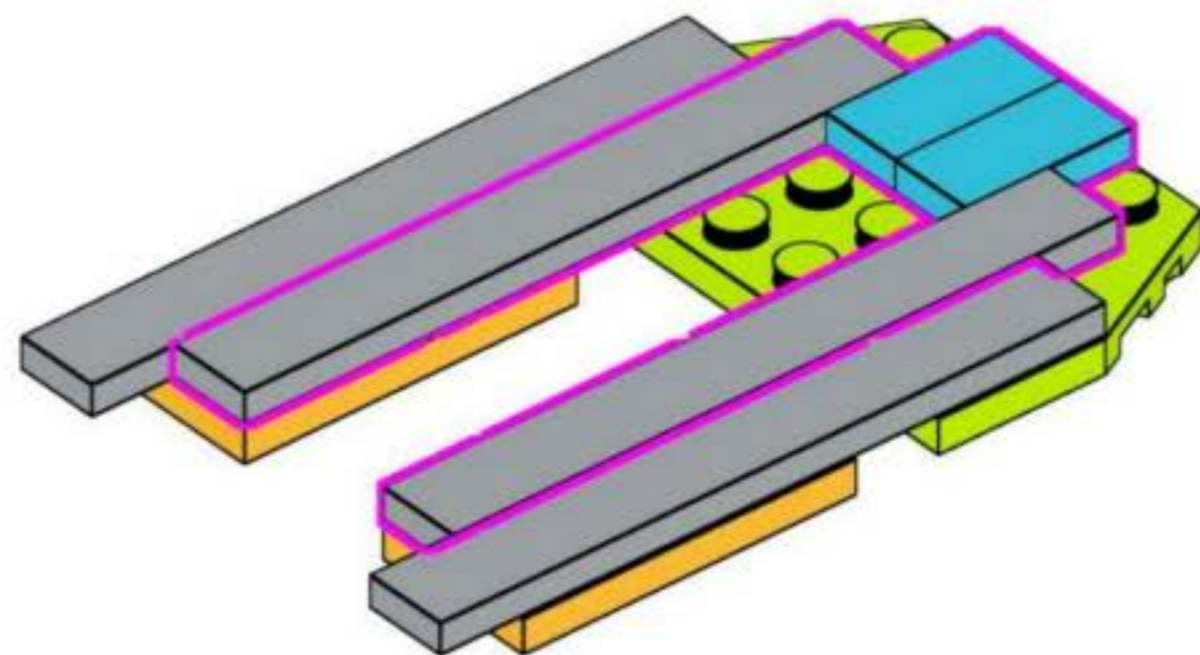
Gergert's lab



Gergert's lab

Gergert's lab

Gergert's lab



Gergert's lab

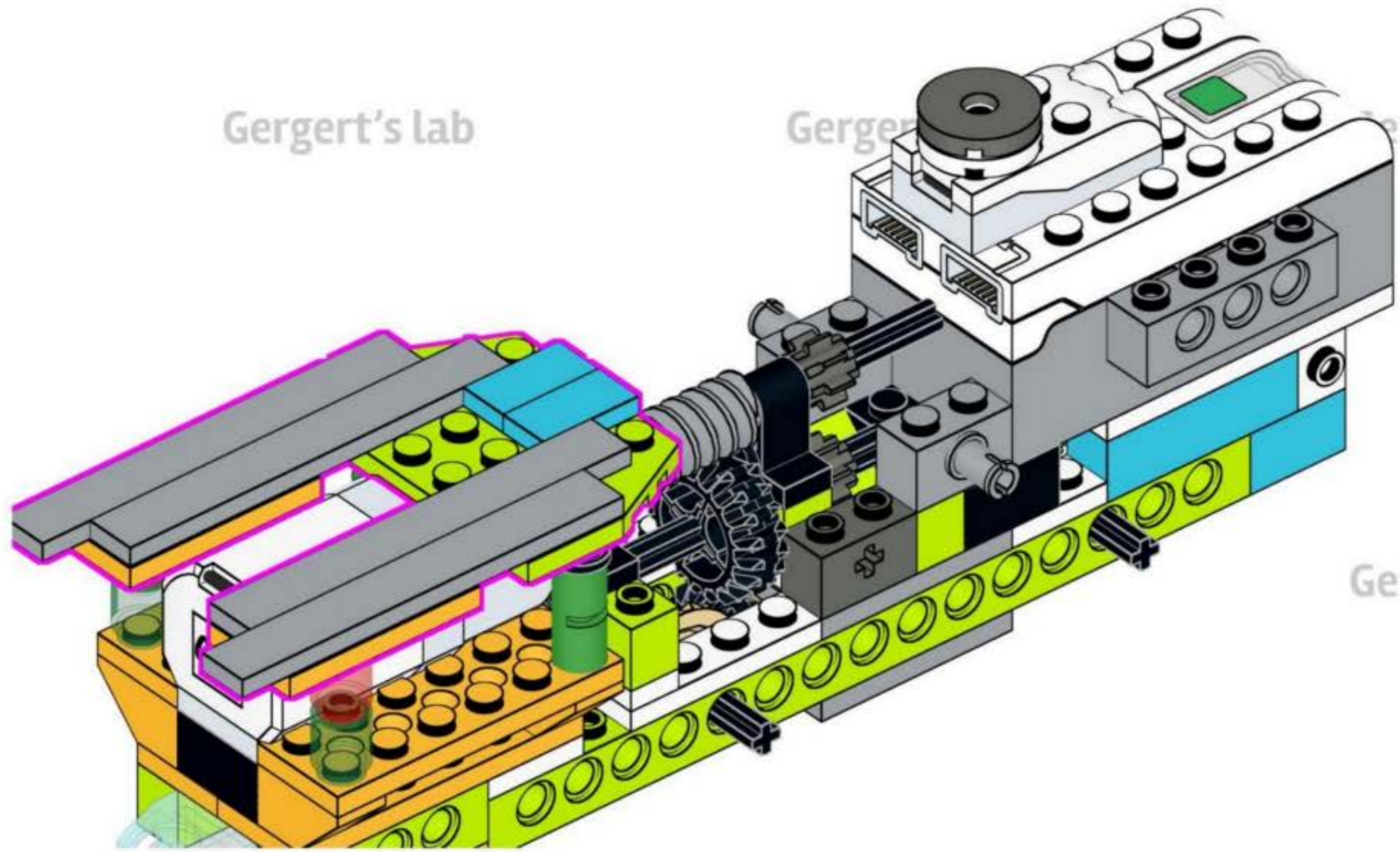
Gergert's lab

Gergert's lab

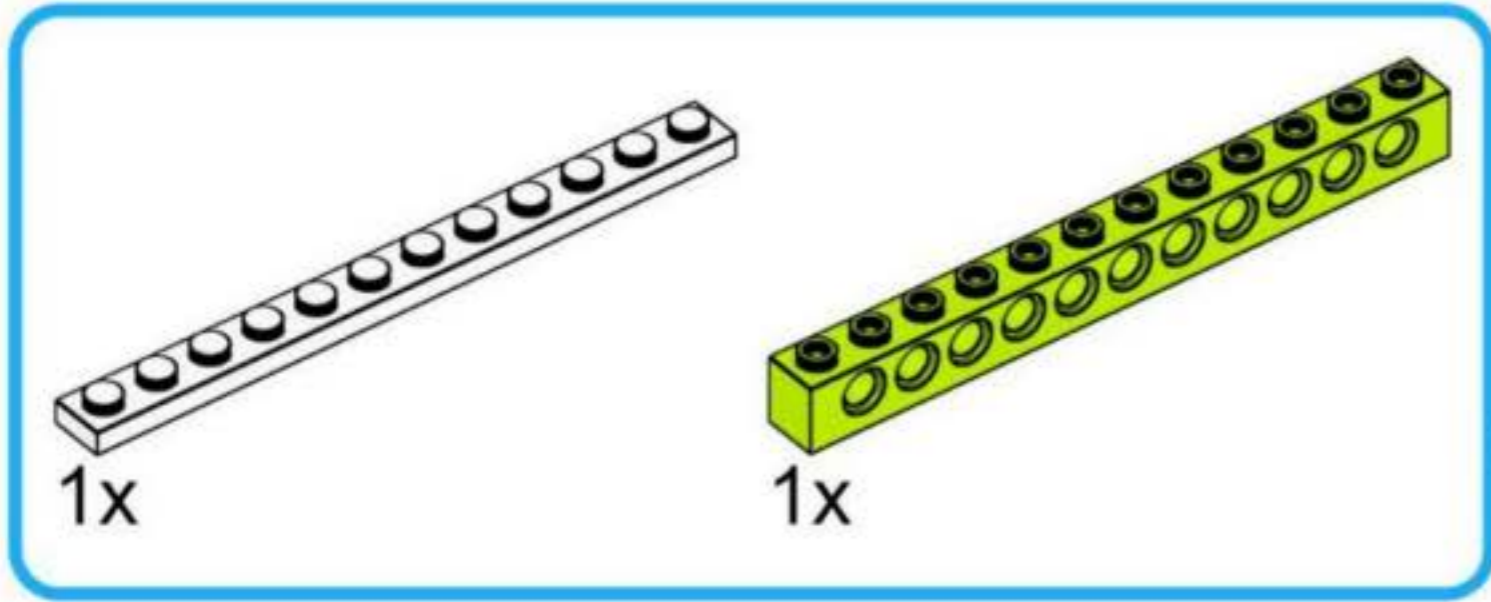
Gergert's lab

Gergert's lab

Gergert's lab

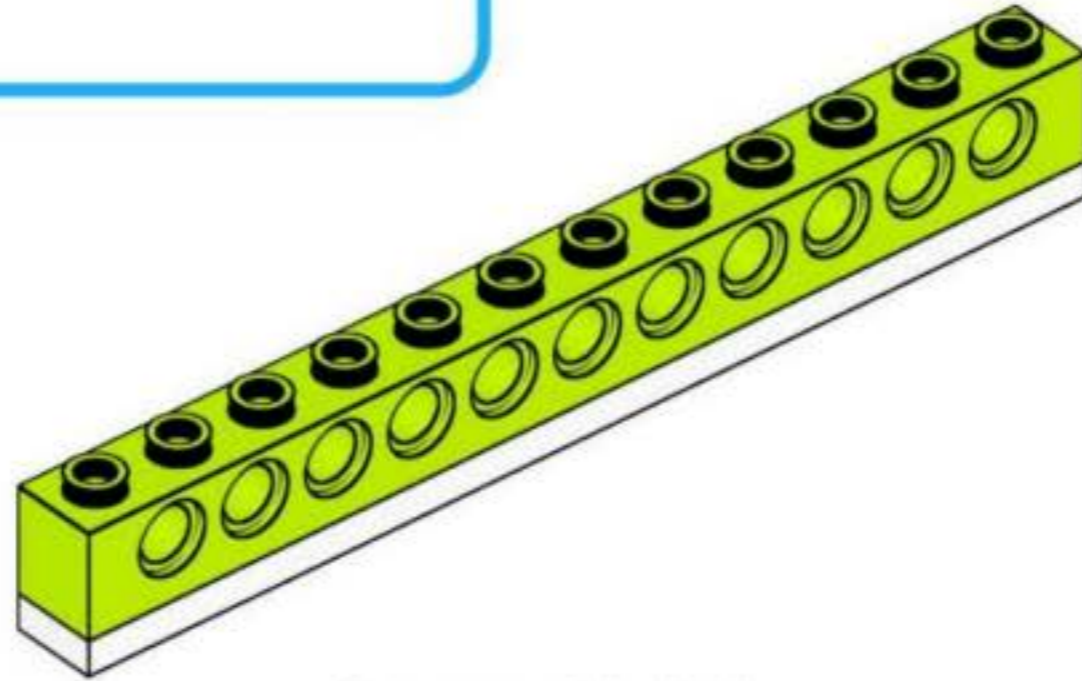


Gergert's lab



Gergert's lab

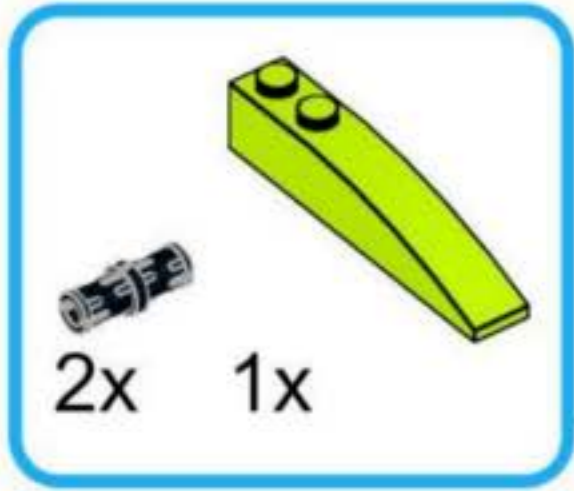
Gergert's lab



Gergert's lab

Gergert's lab

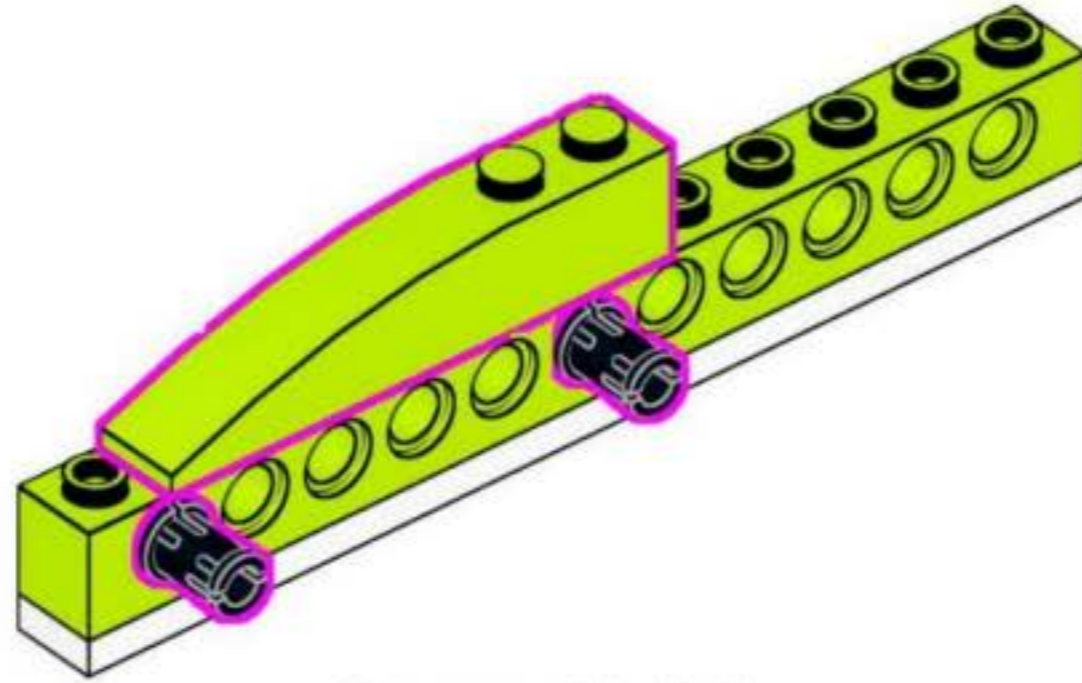
Gergert's lab



Gergert's lab

Gergert's lab

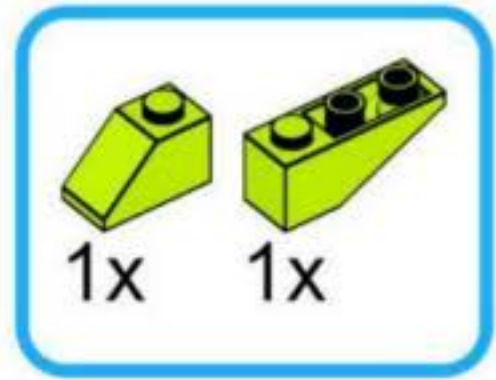
Gergert's lab



Gergert's lab

Gergert's lab

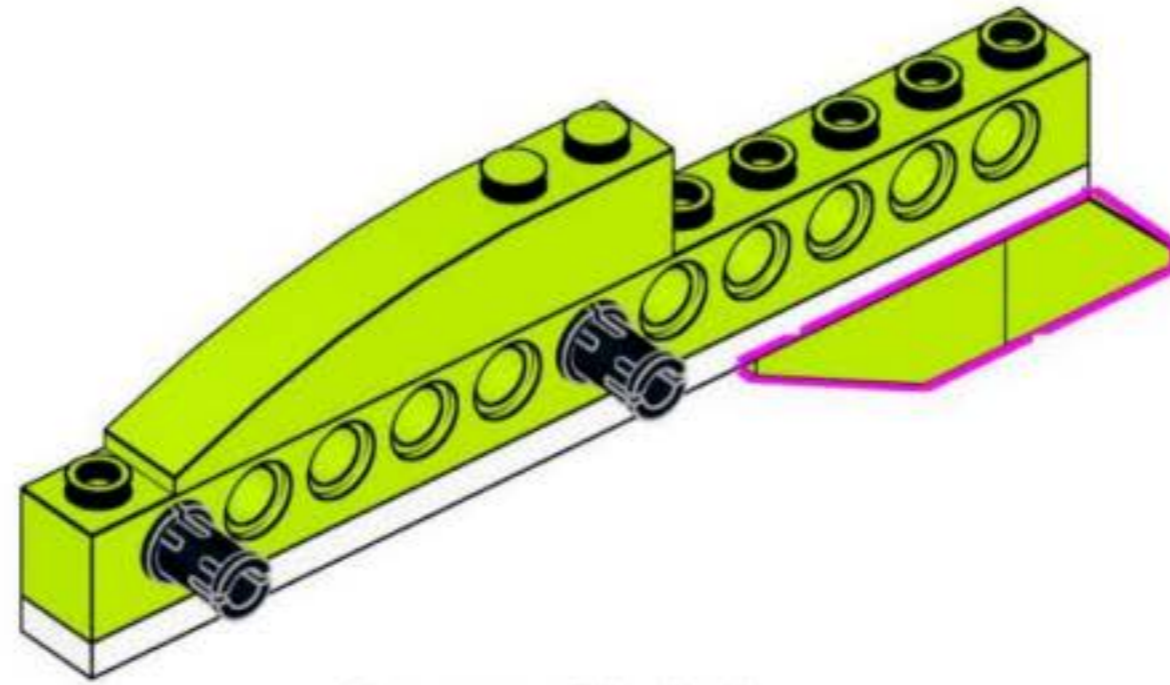
Gergert's lab



Gergert's lab

Gergert's lab

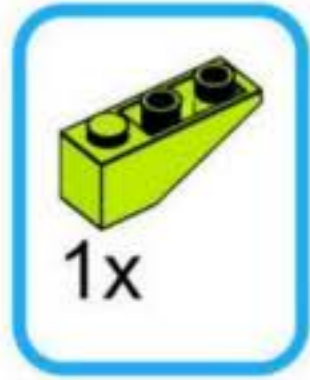
Gergert's lab



Gergert's lab

Gergert's lab

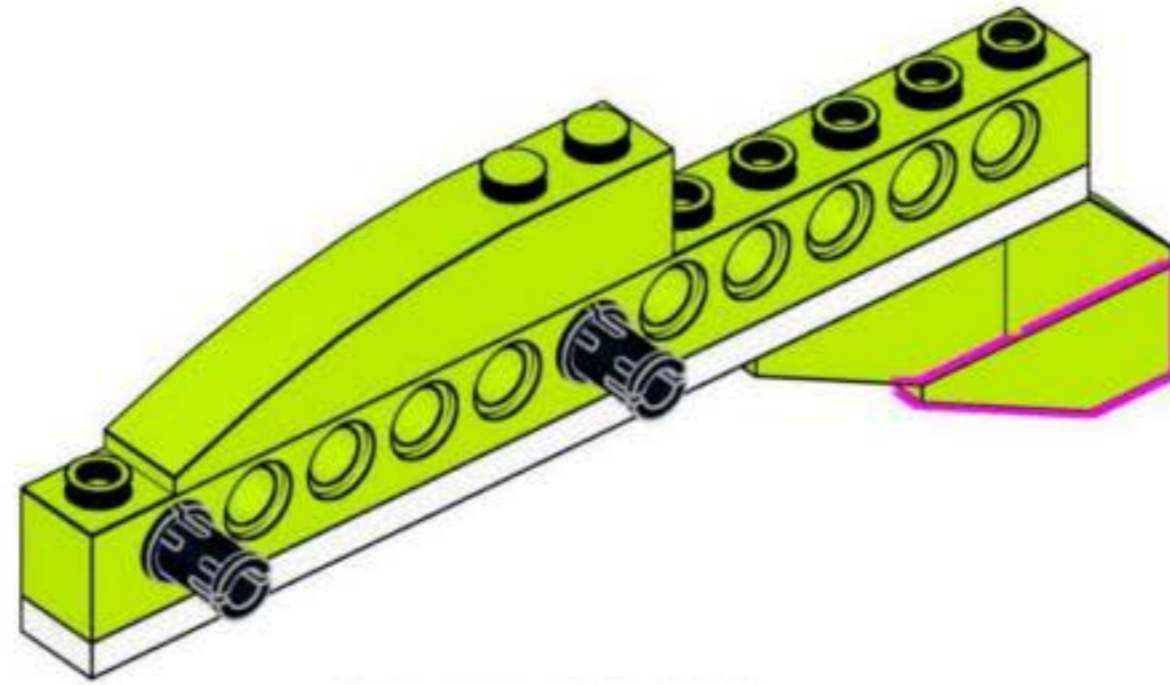
Gergert's lab



Gergert's lab

Gergert's lab

Gergert's lab



Gergert's lab

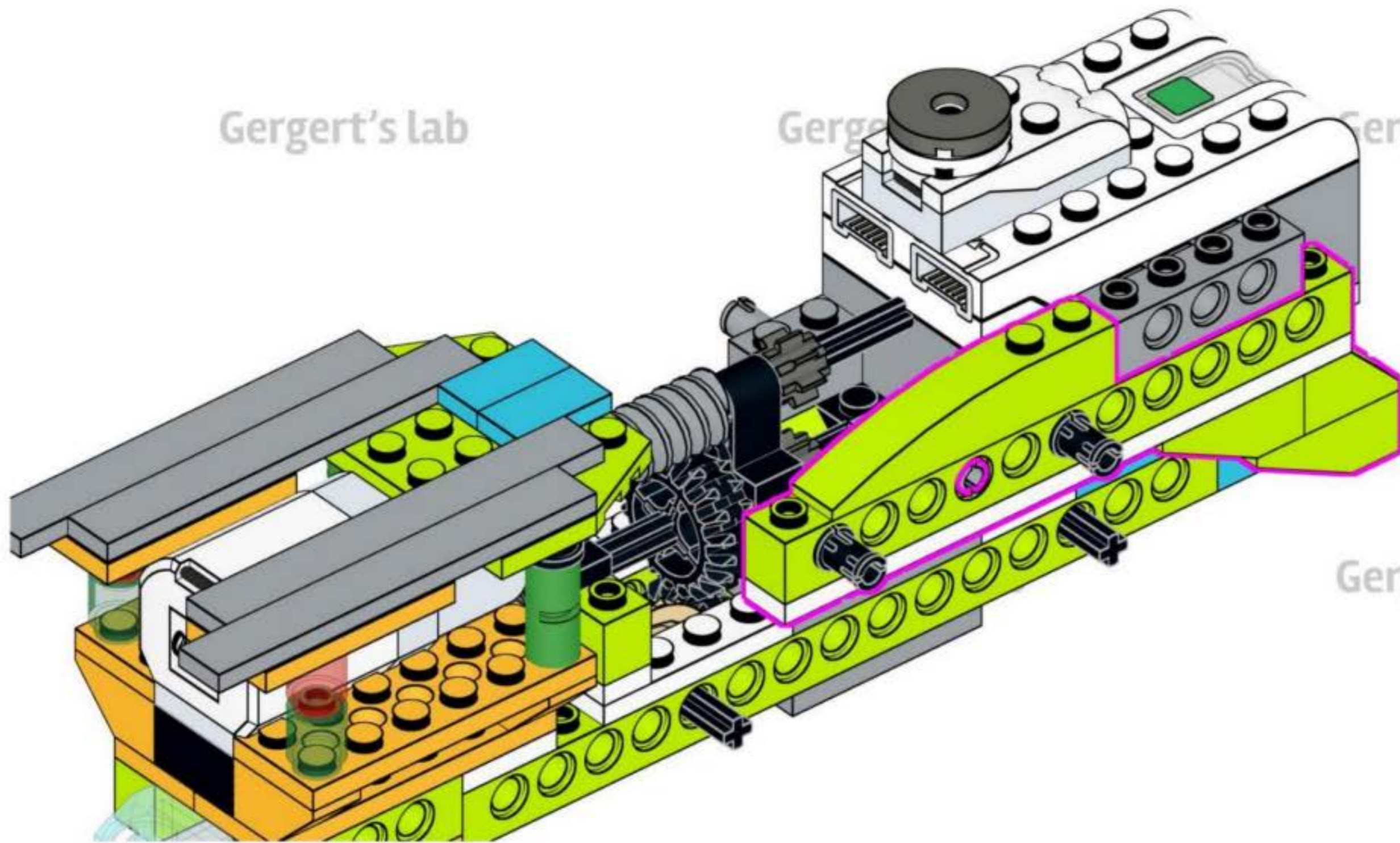
Gergert's lab

Gergert's lab

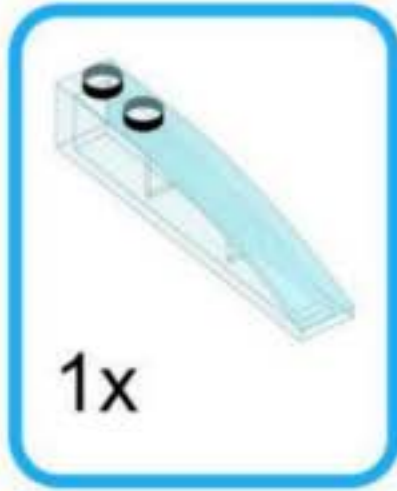
Gergert's lab

Gerge

Gergert's lab



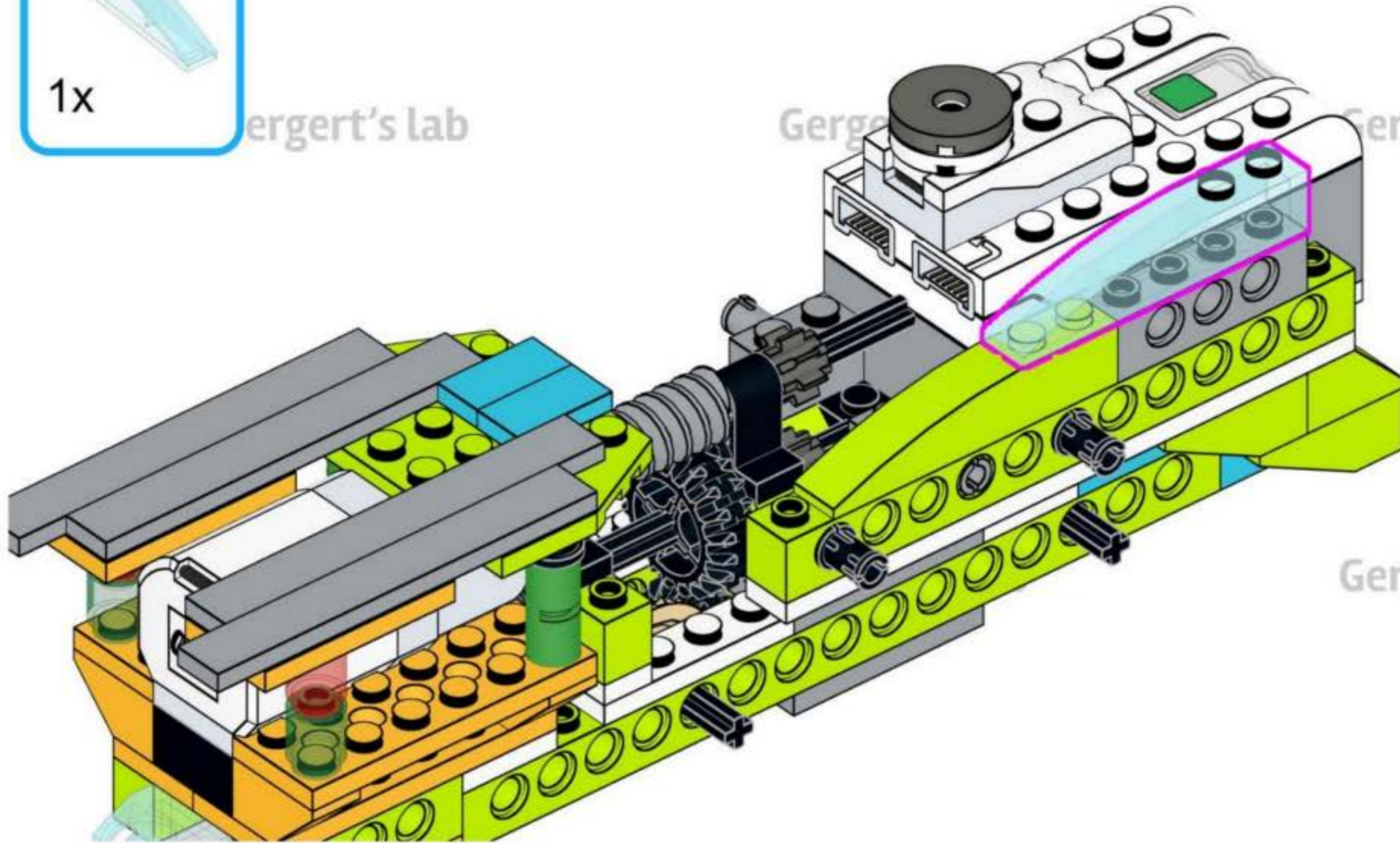
Gergert's lab



Gergert's lab

Gerge

Gergert's lab



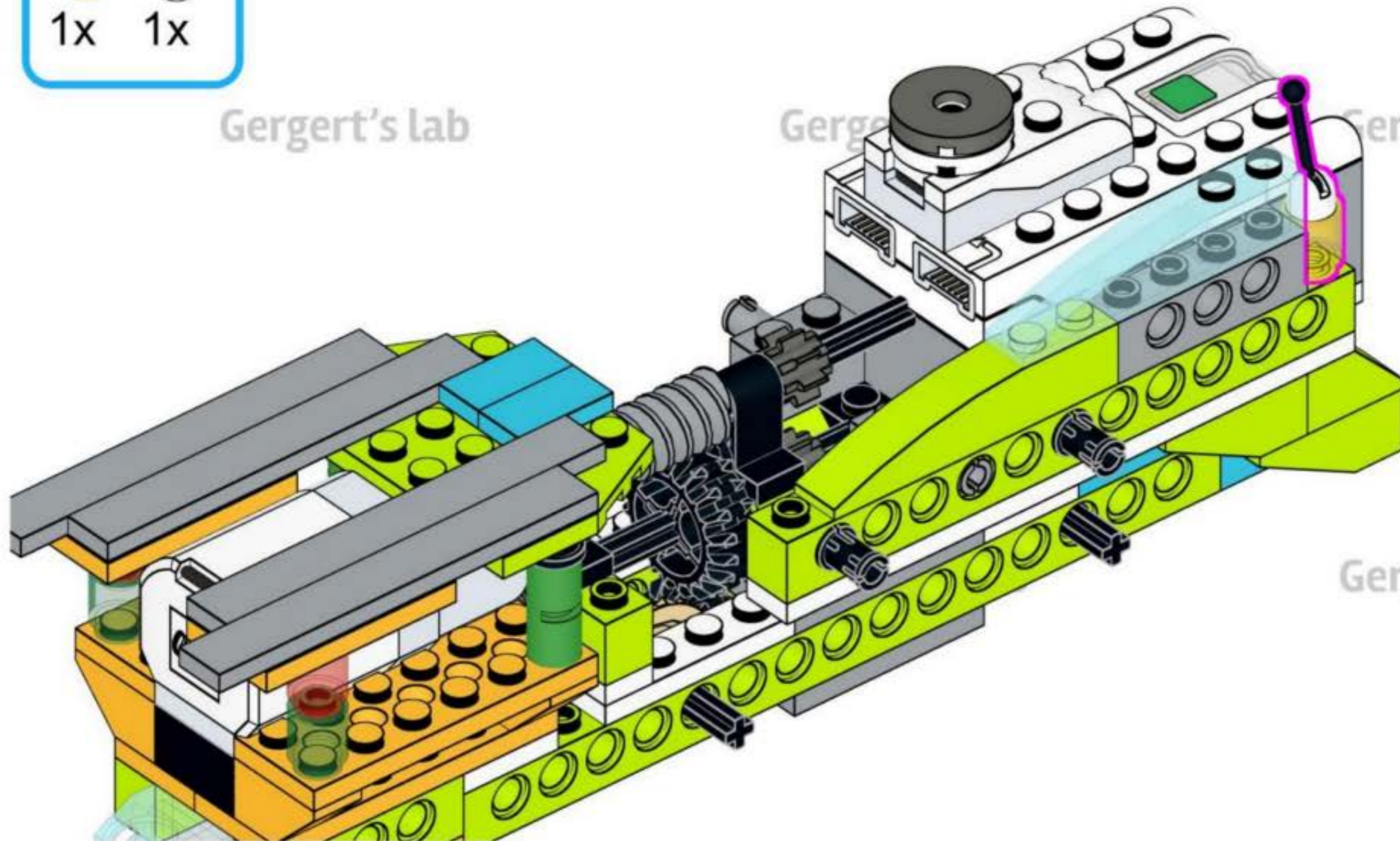
Gergert's lab



Gergert's lab

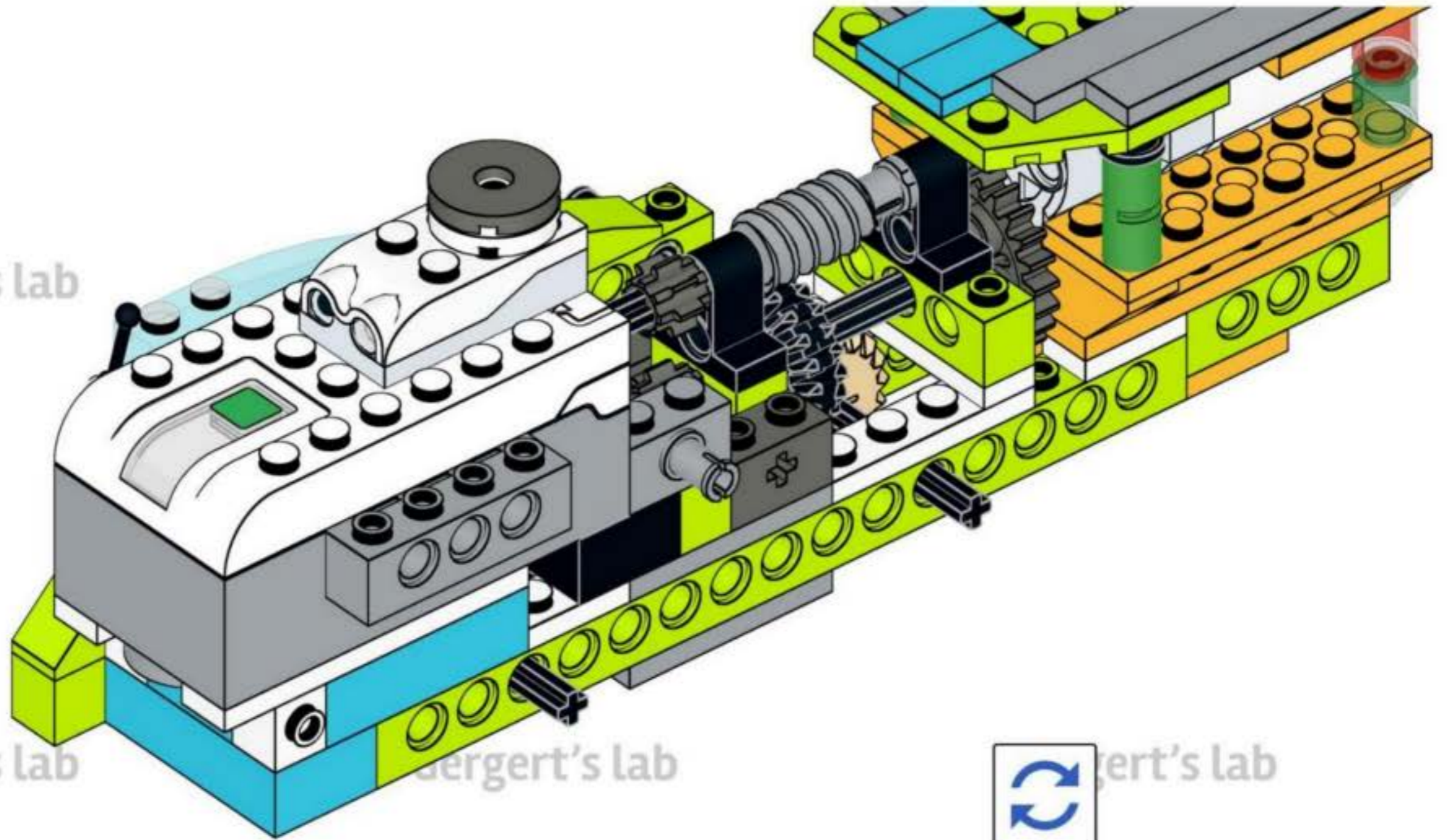
Gerge

Gergert's lab



Gergert's lab

Gergert's lab

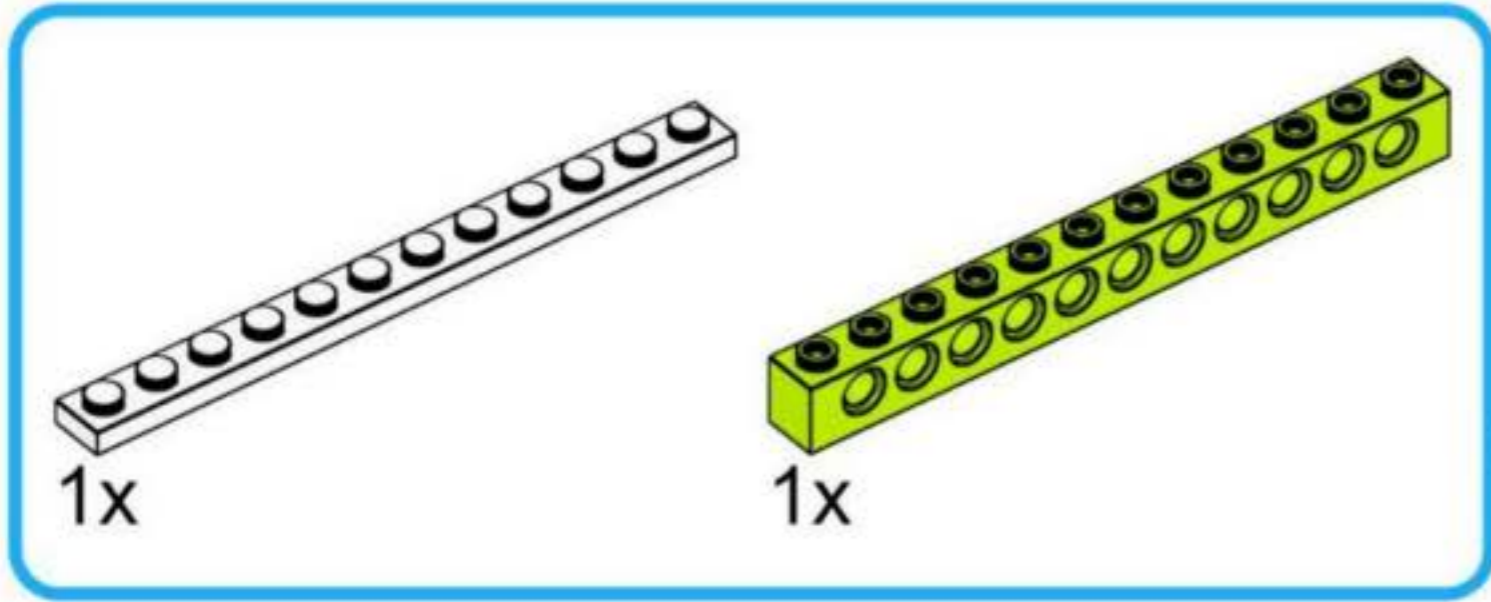


Gergert's lab

Gergert's lab

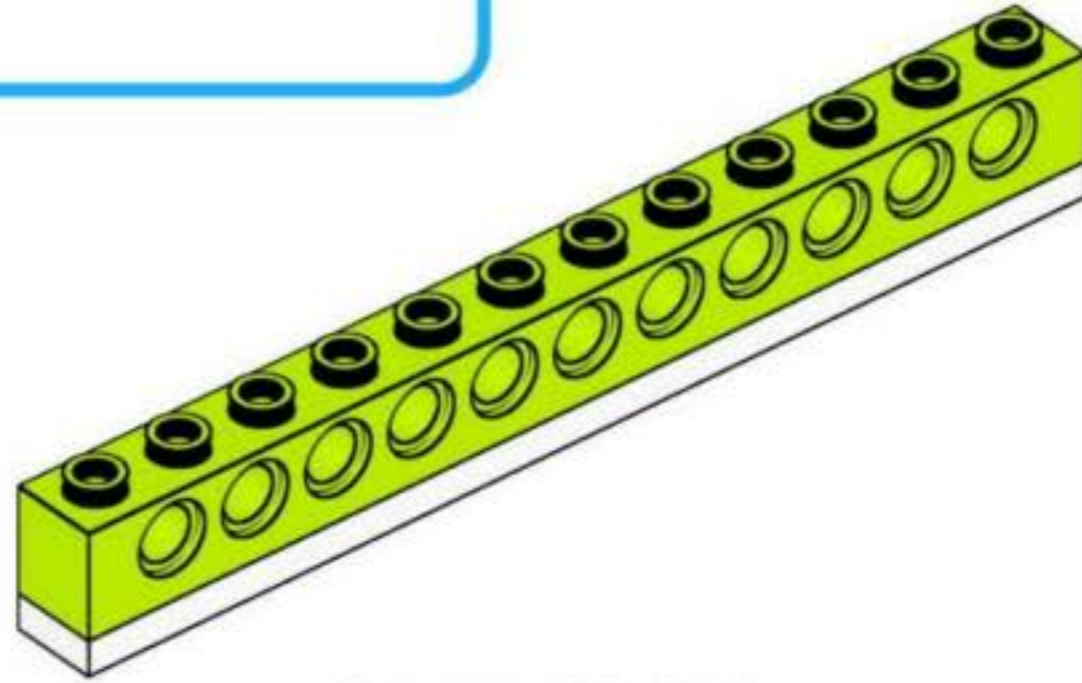


Gergert's lab



Gergert's lab

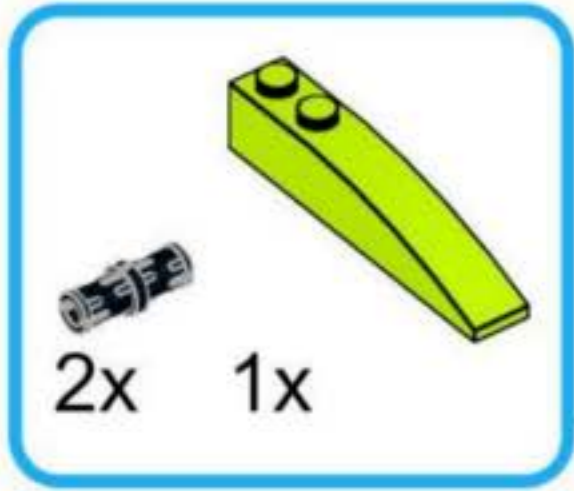
Gergert's lab



Gergert's lab

Gergert's lab

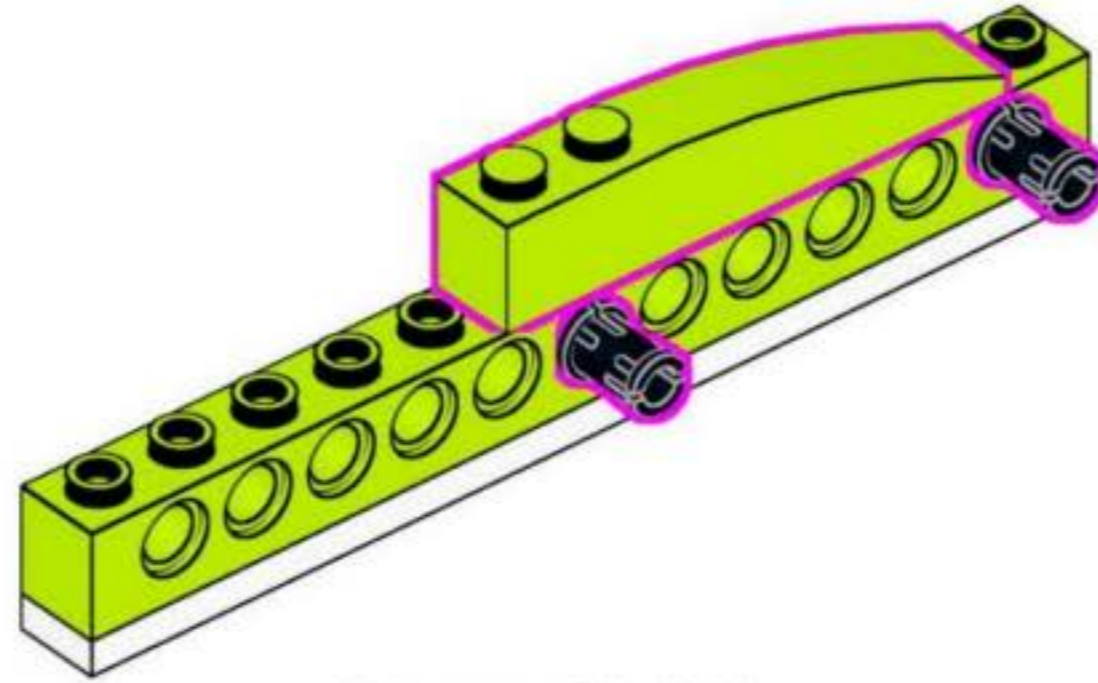
Gergert's lab



Gergert's lab

Gergert's lab

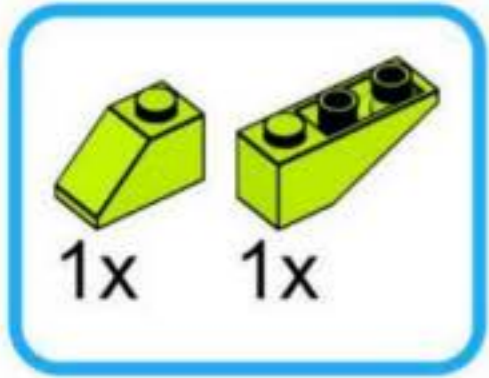
Gergert's lab



Gergert's lab

Gergert's lab

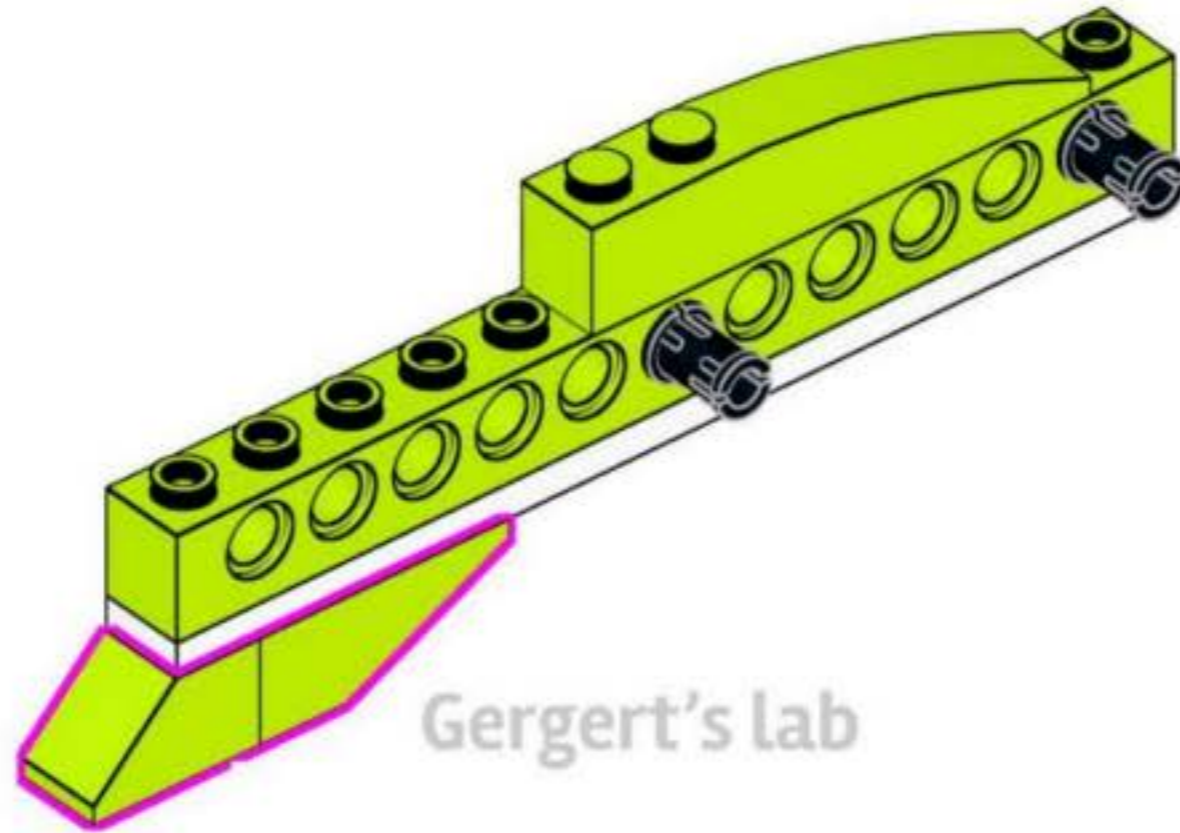
Gergert's lab



Gergert's lab

Gergert's lab

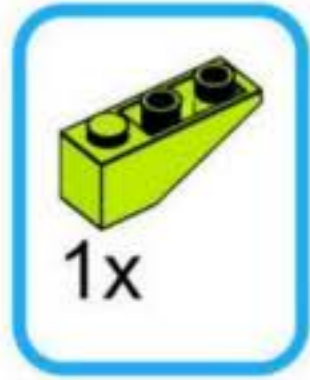
Gergert's lab



Gergert's lab

Gergert's lab

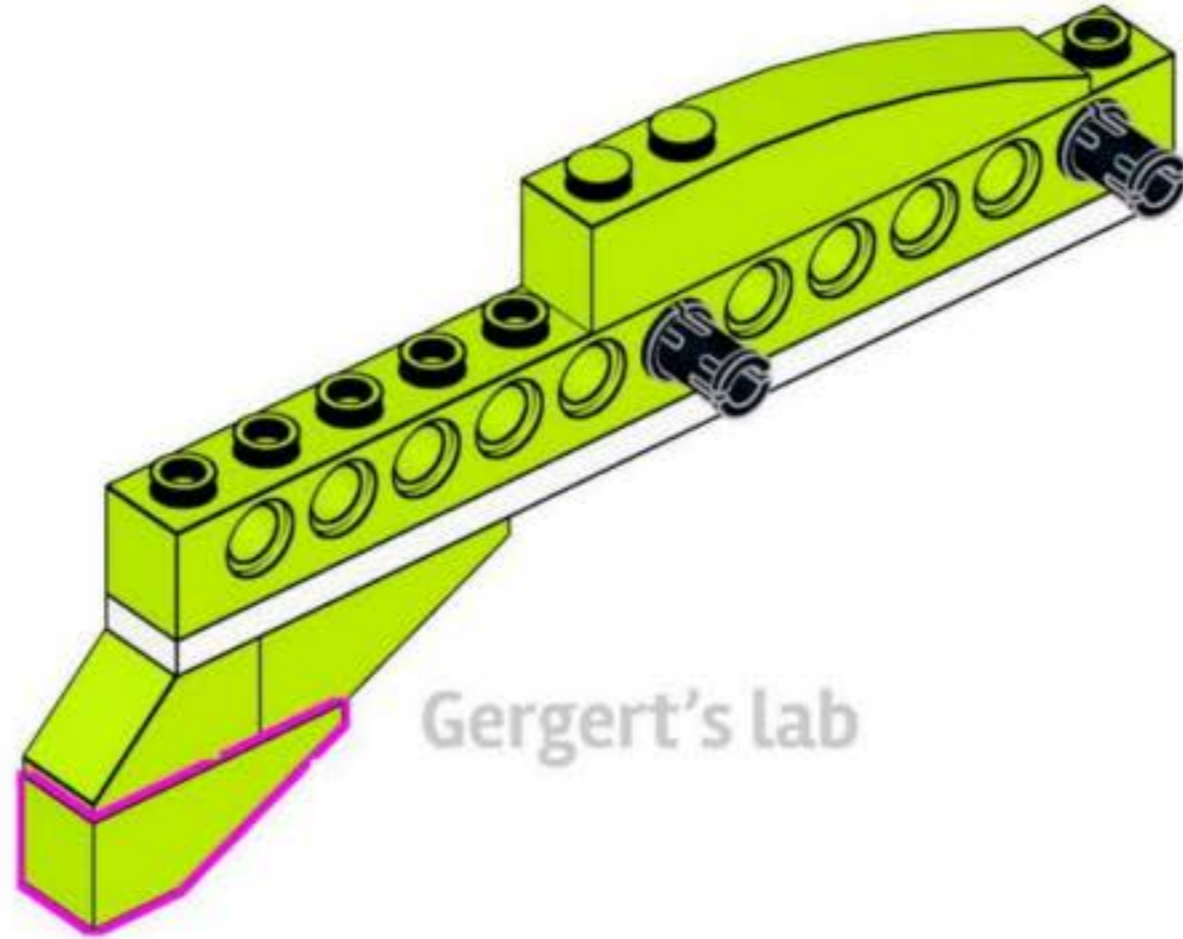
Gergert's lab



Gergert's lab

Gergert's lab

Gergert's lab

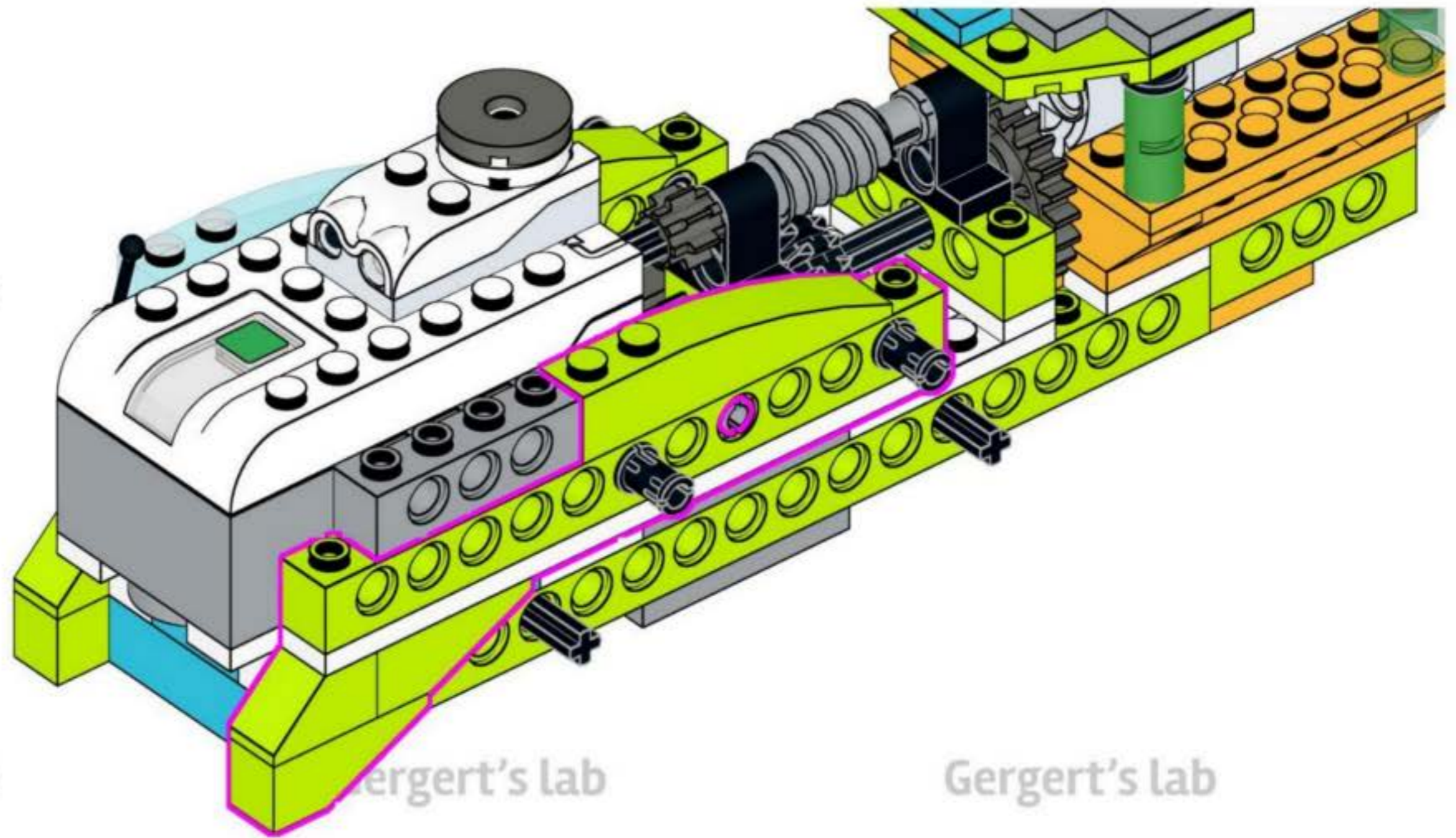


Gergert's lab

Gergert's lab

Gergert's lab

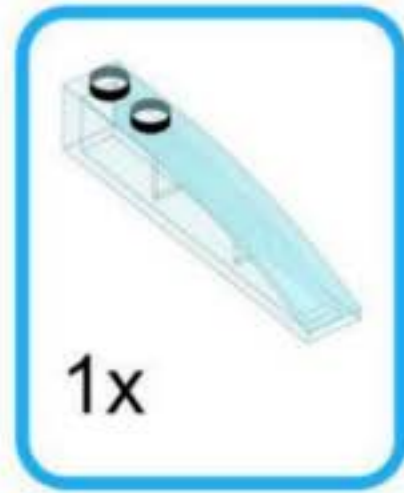
Gergert's lab



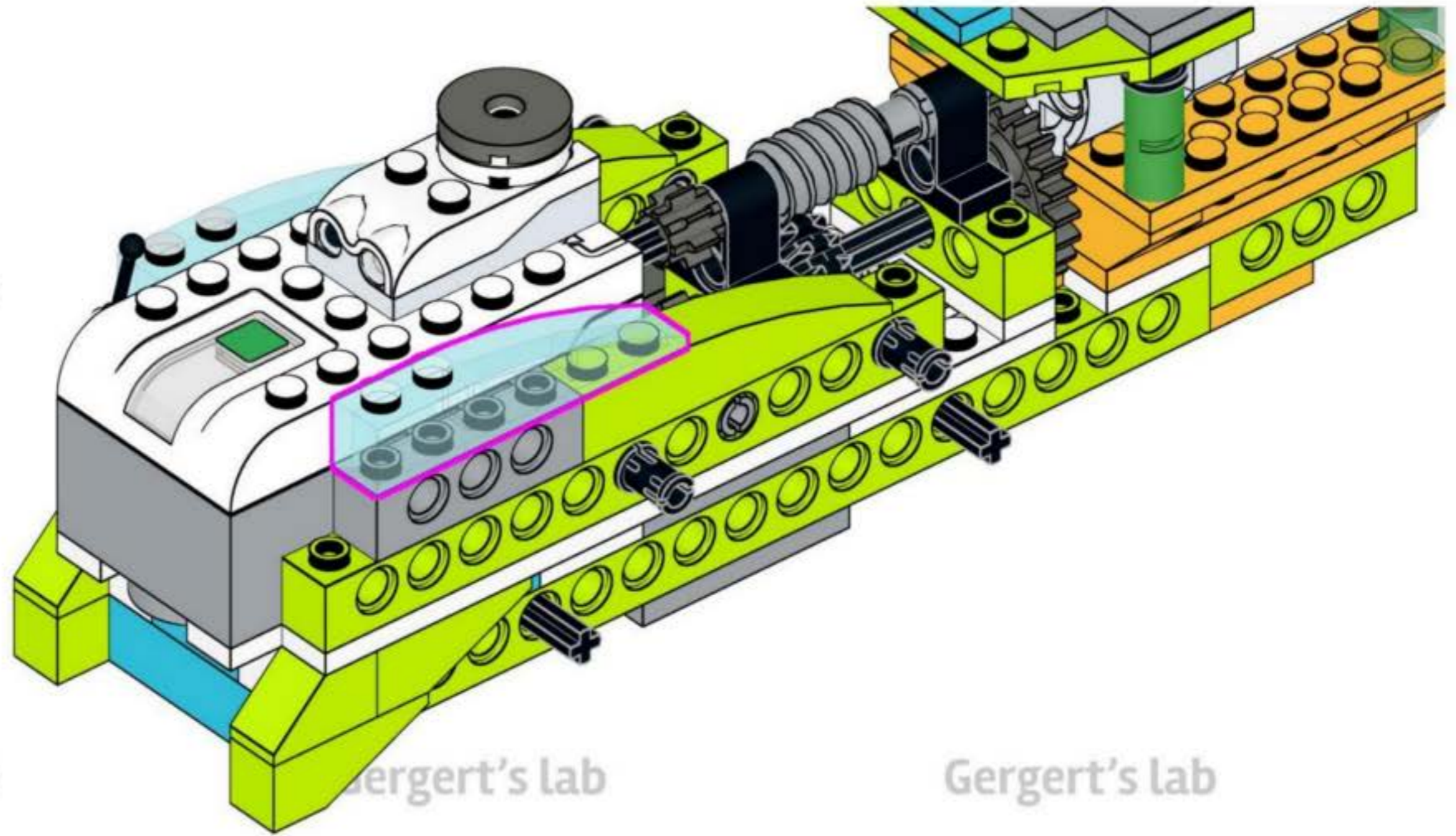
Gergert's lab

Gergert's lab

Gergert's lab



Gergert's lab



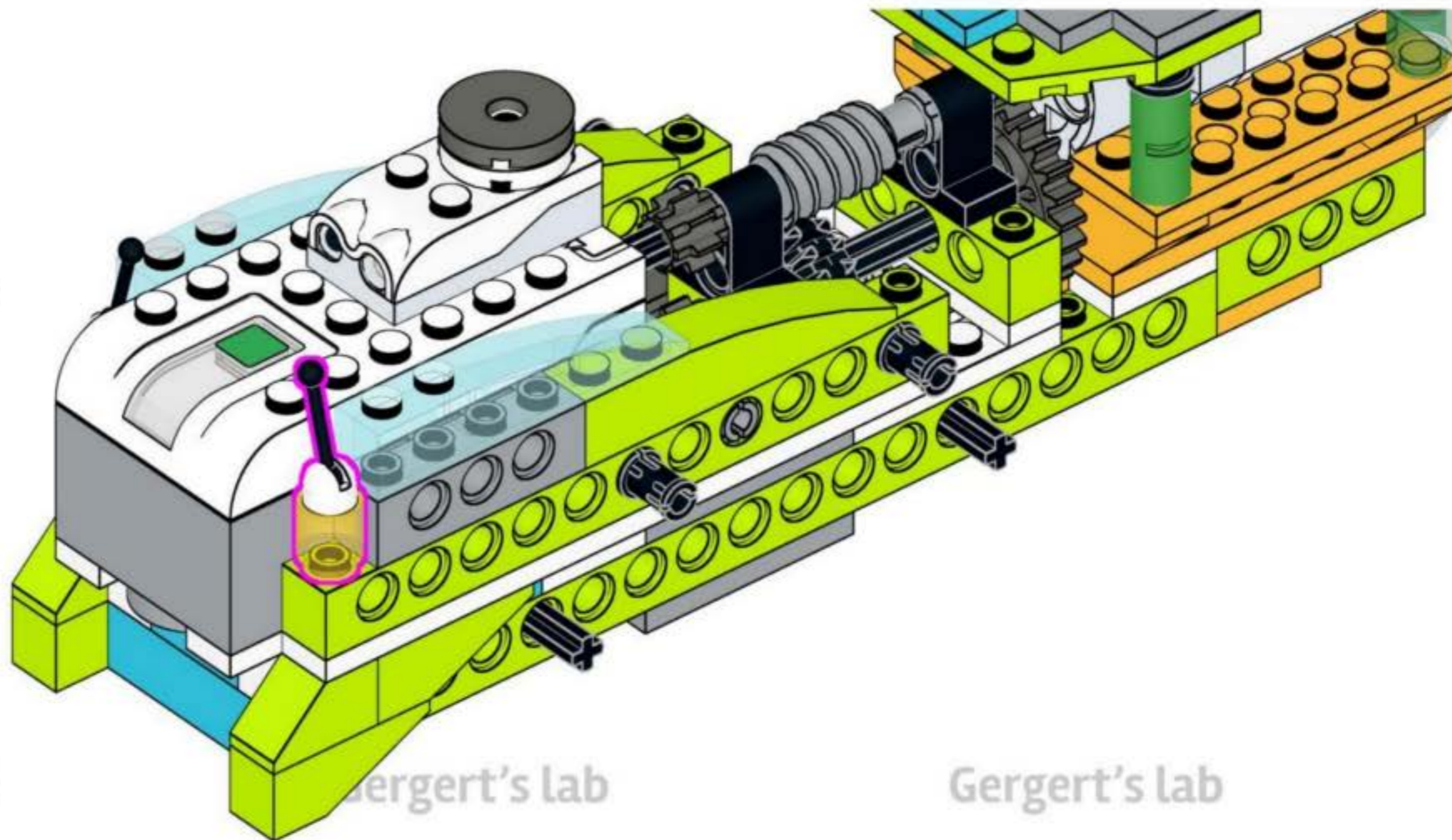
Gergert's lab

Gergert's lab

Gergert's lab

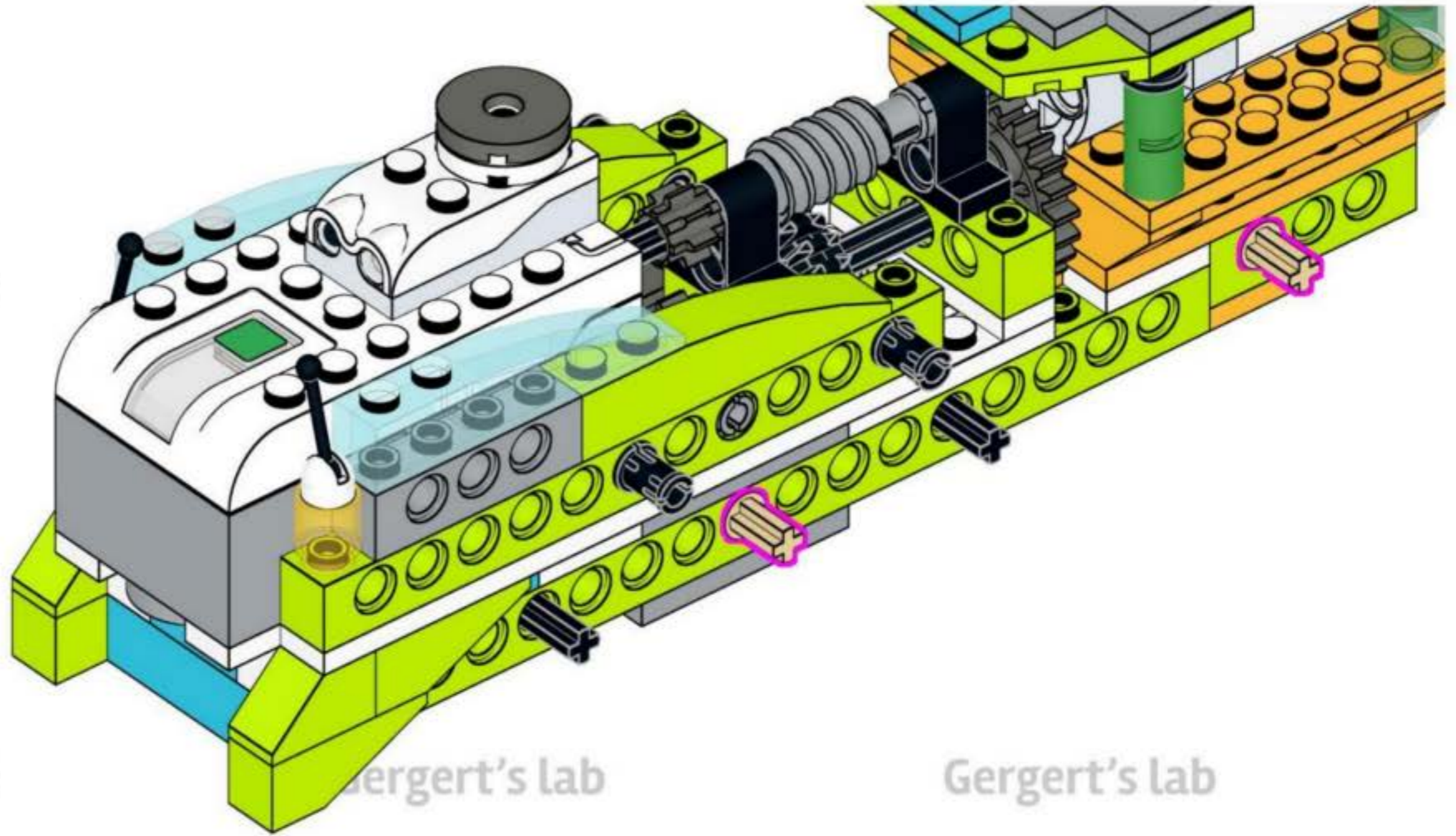


Gergert's lab





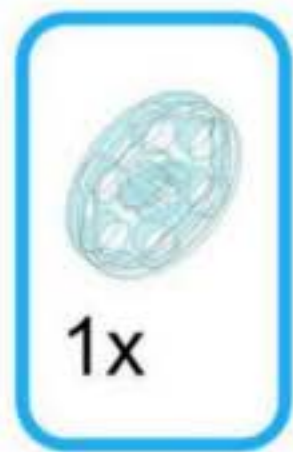
Gergert's lab



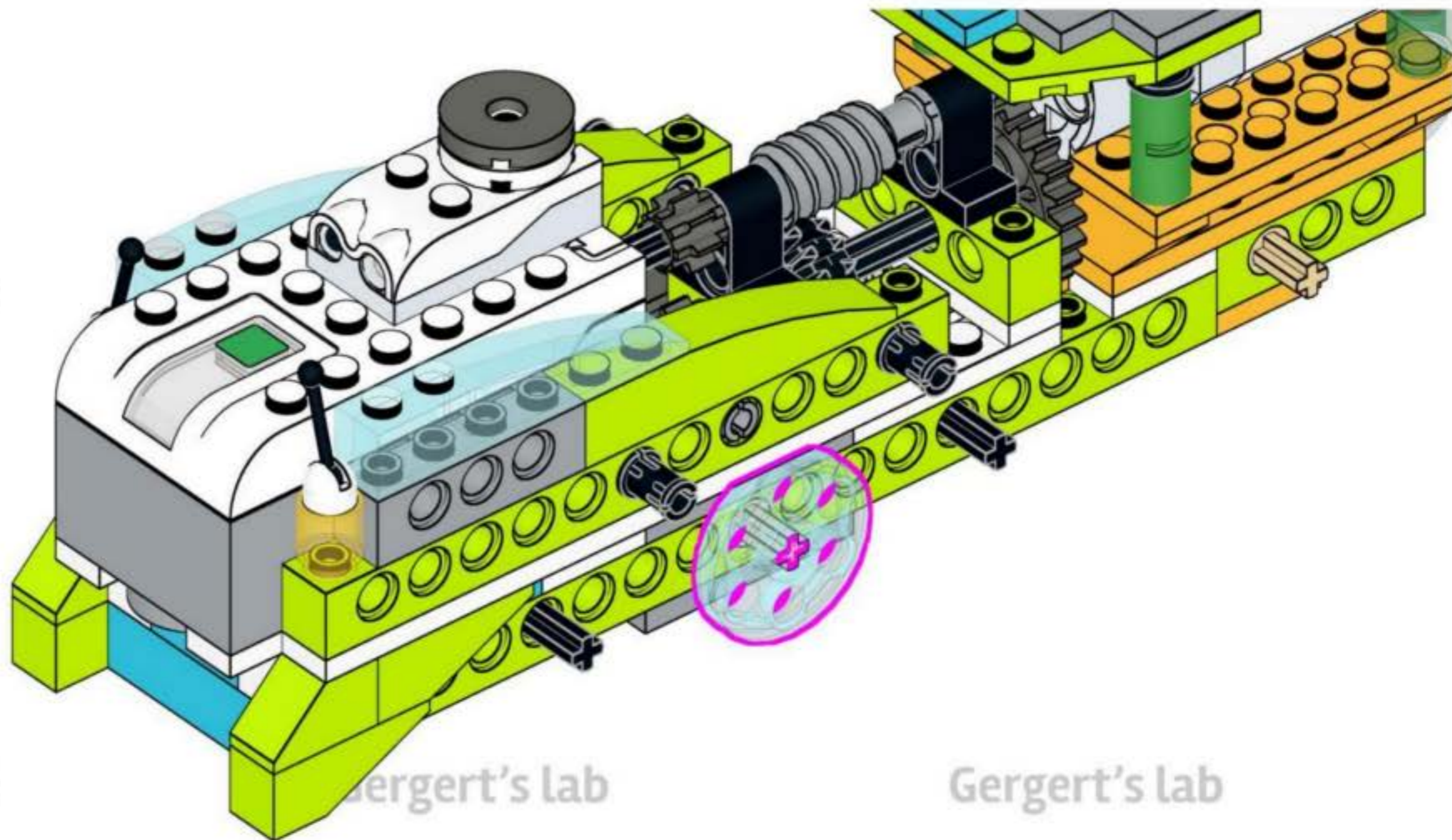
Gergert's lab

Gergert's lab

Gergert's lab



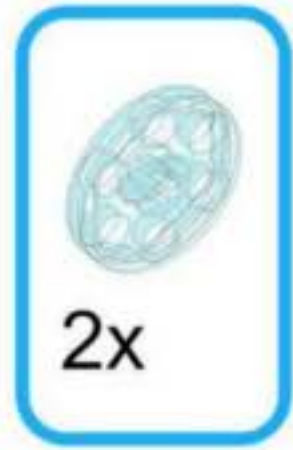
Gergert's lab



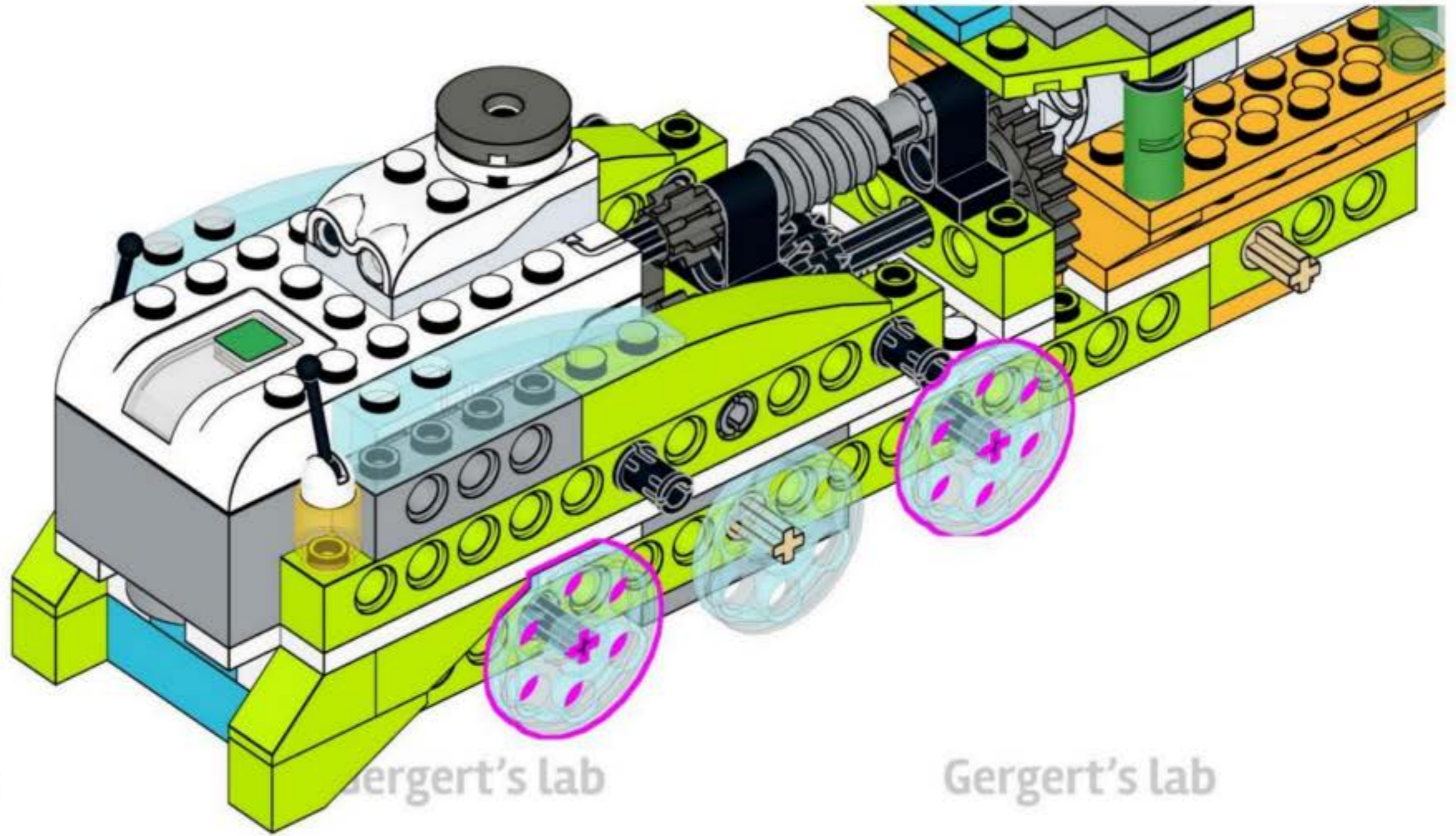
Gergert's lab

Gergert's lab

Gergert's lab



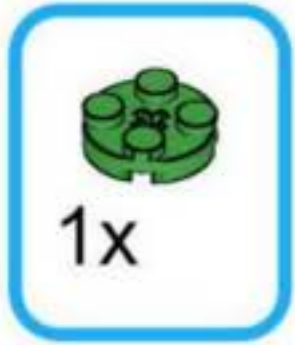
Gergert's lab



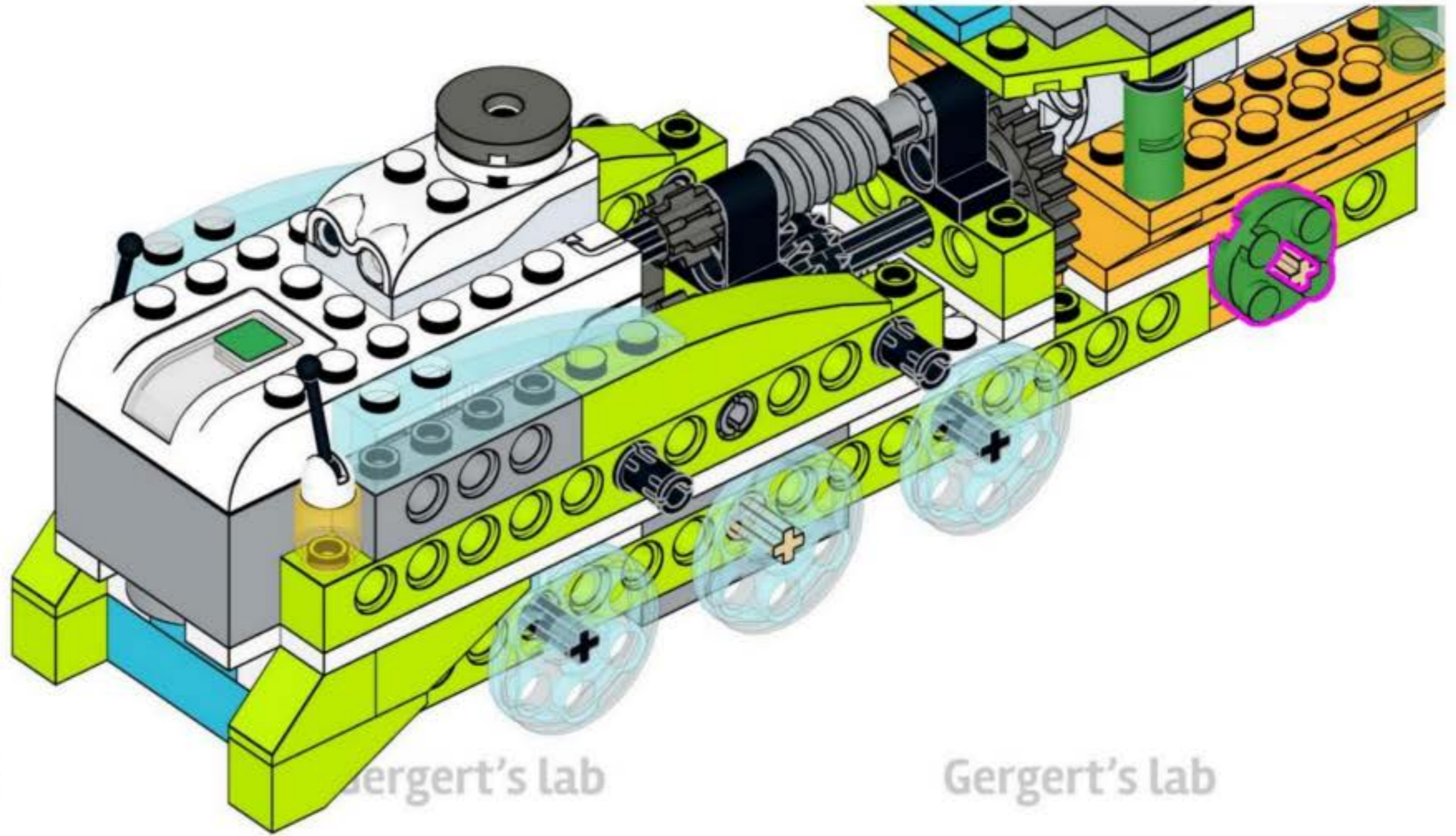
Gergert's lab

Gergert's lab

Gergert's lab



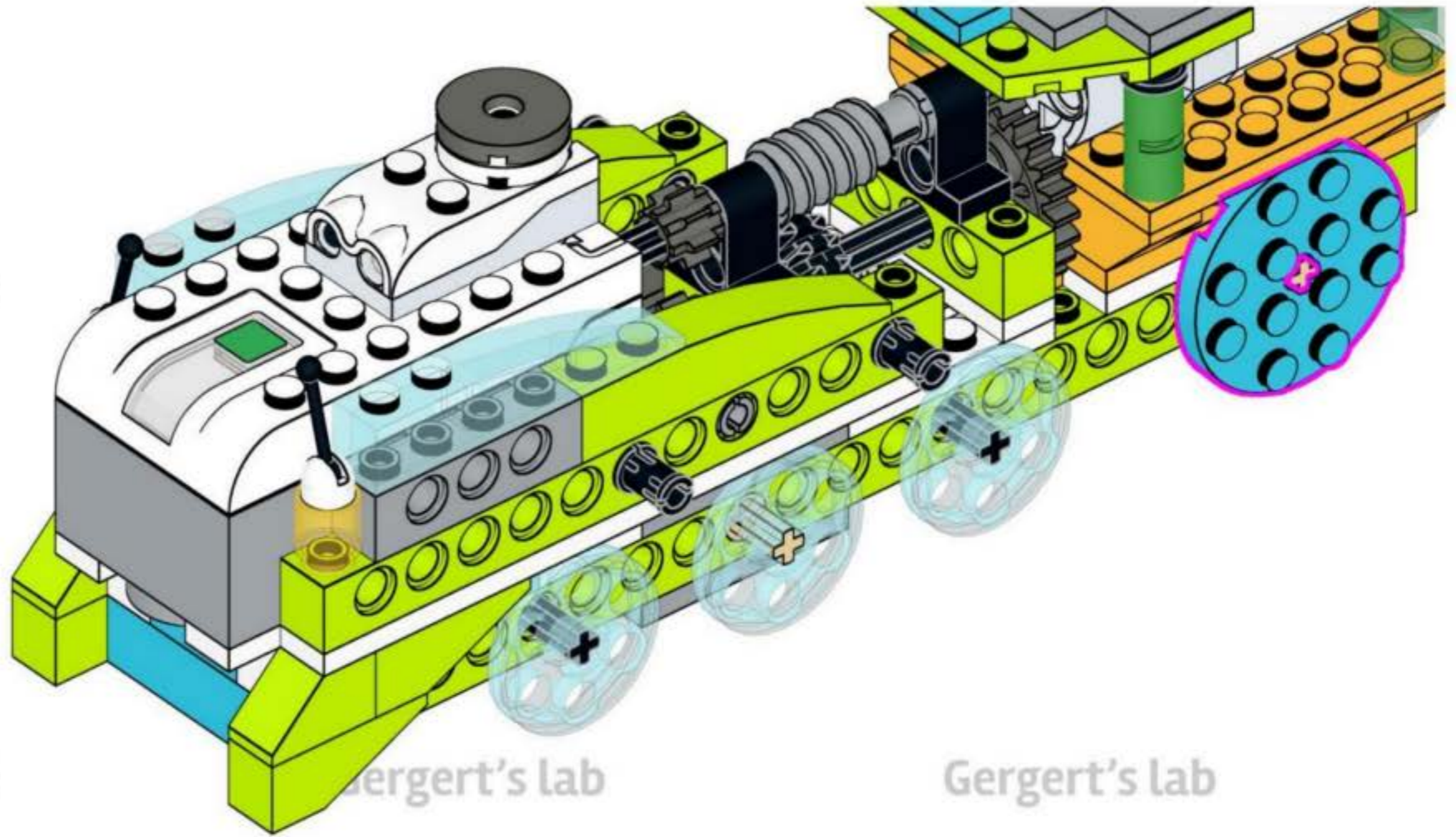
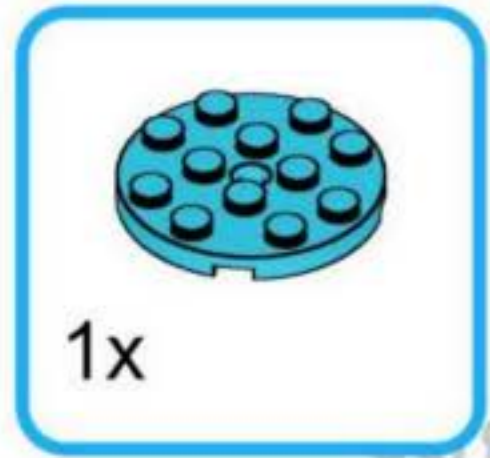
Gergert's lab



Gergert's lab

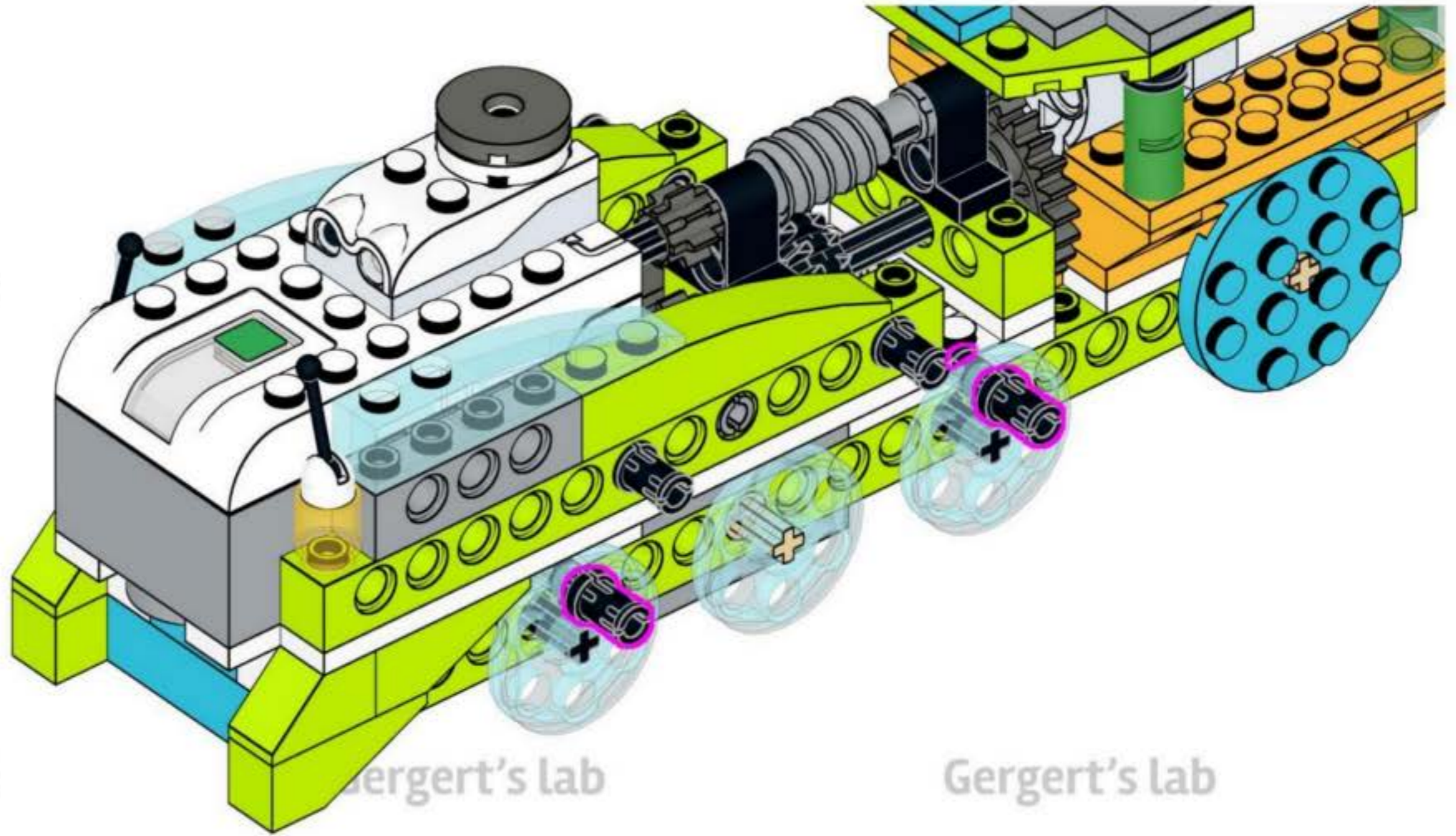
Gergert's lab

Gergert's lab





Gergert's lab



Gergert's lab

Gergert's lab

Gergert's lab



Gergert's lab

Gergert's lab

Gergert's lab



Gergert's lab

Gergert's lab

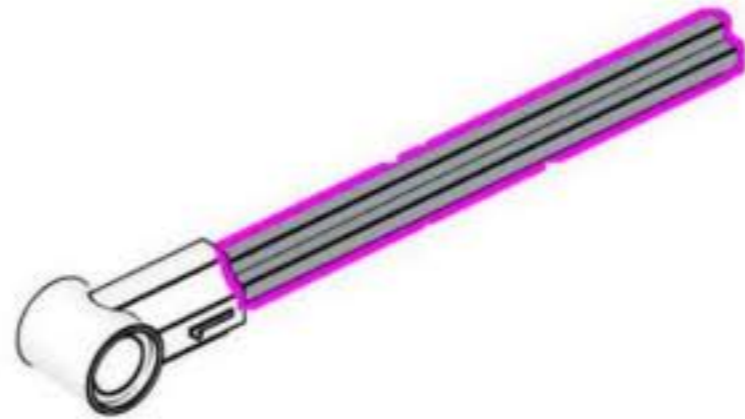
Gergert's lab



Gergert's lab

Gergert's lab

Gergert's lab



Gergert's lab

Gergert's lab

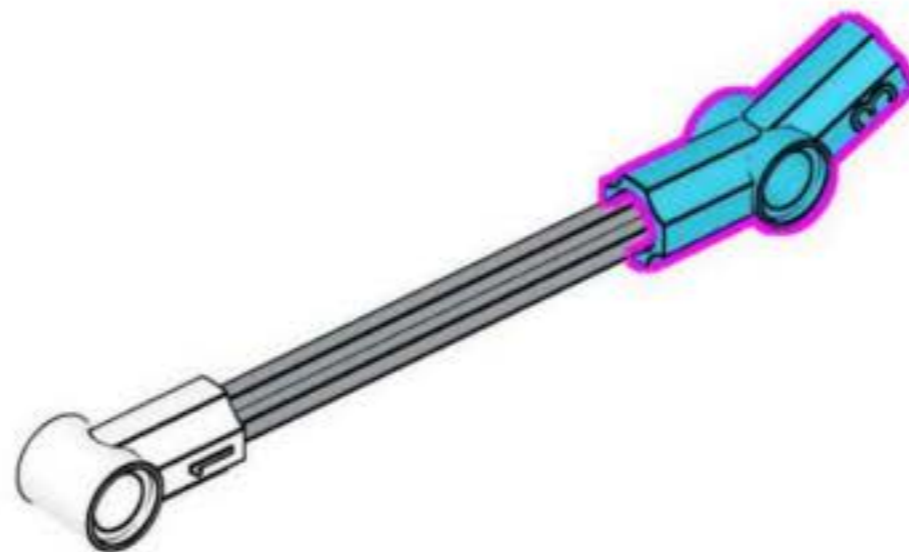
Gergert's lab



Gergert's lab

Gergert's lab

Gergert's lab

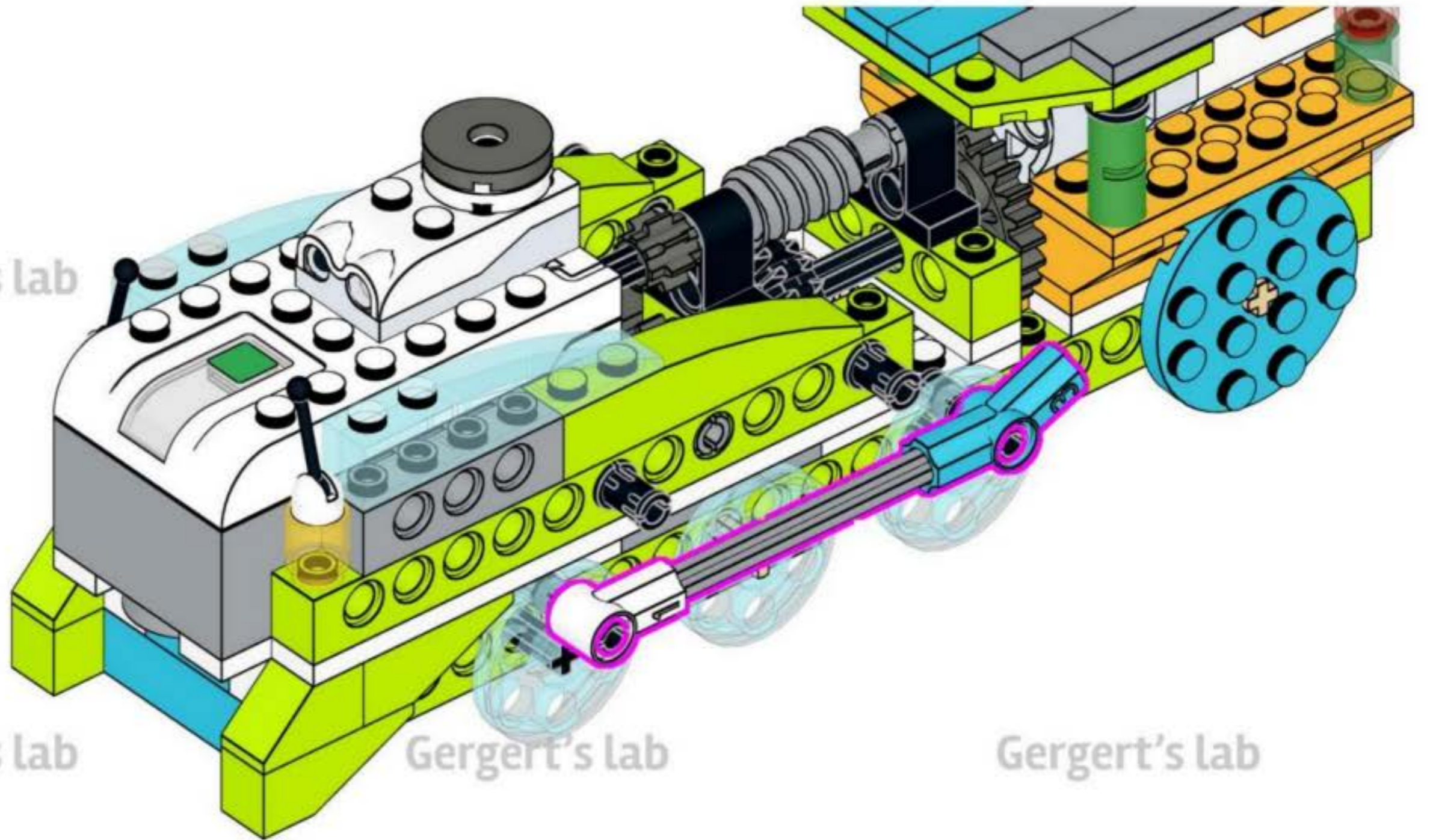


Gergert's lab

Gergert's lab

Gergert's lab

Gergert's lab



Gergert's lab

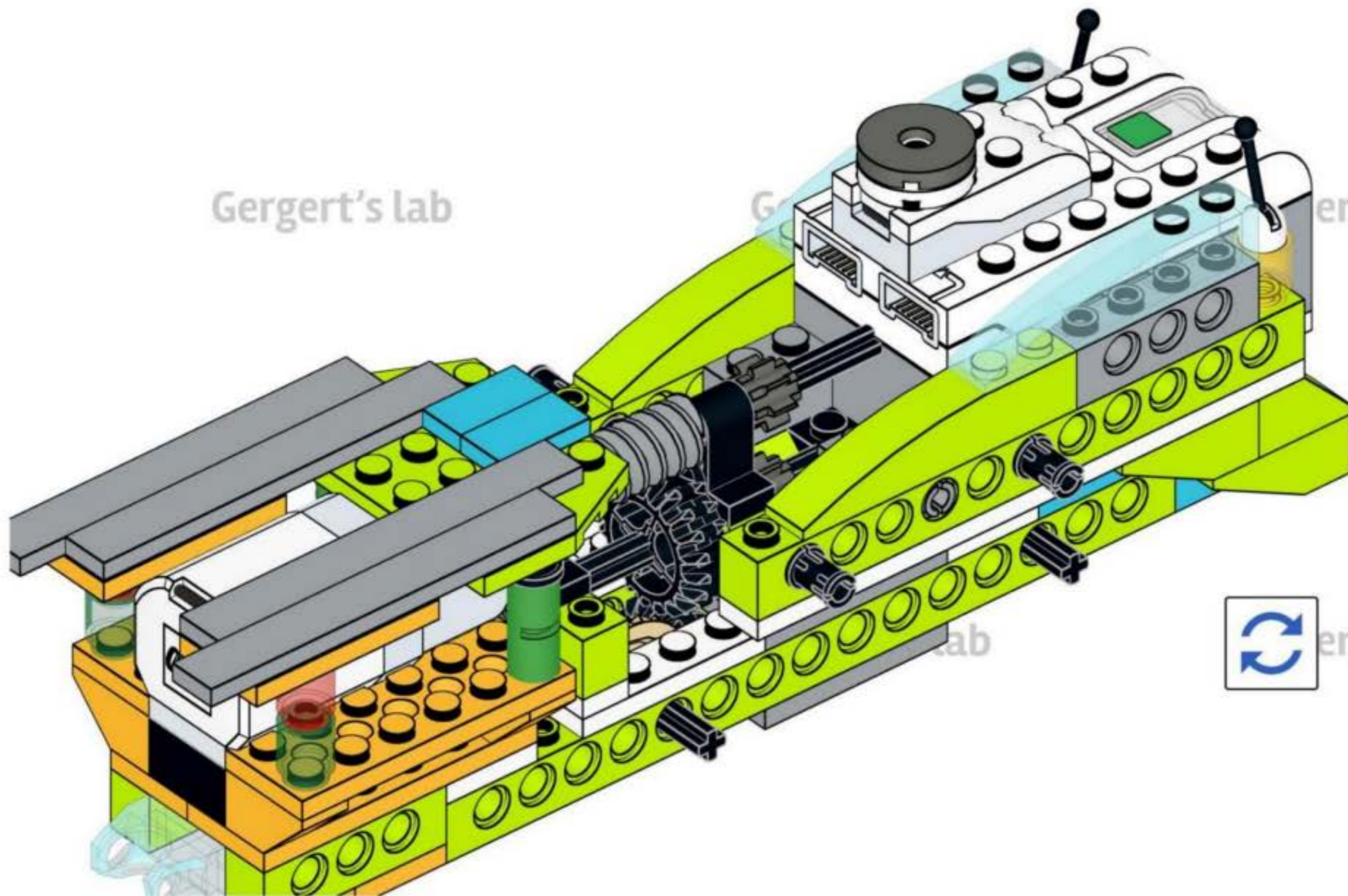
Gergert's lab

Gergert's lab

Gergert's lab

G

ergert's lab



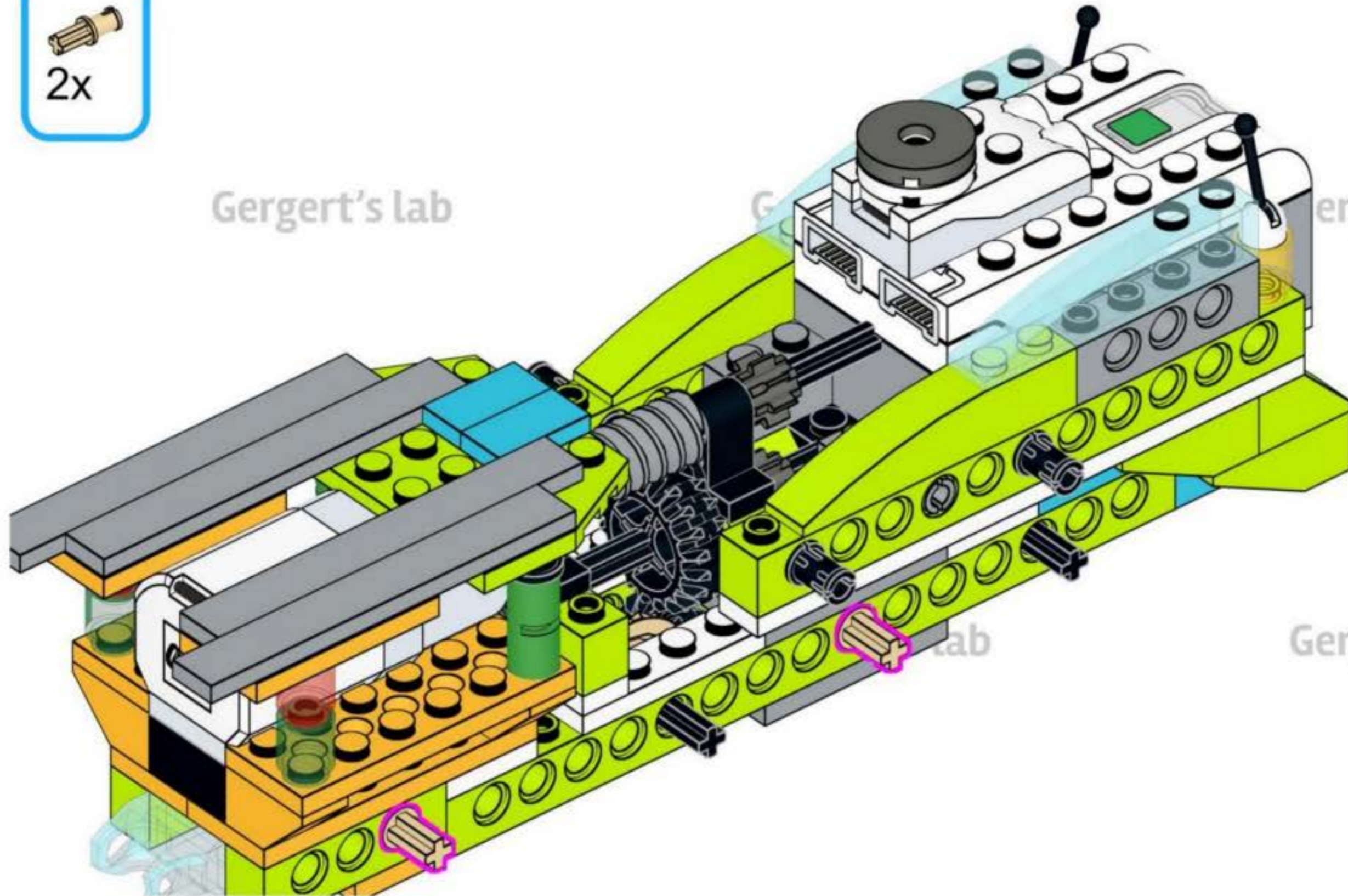
lab

ergert's lab



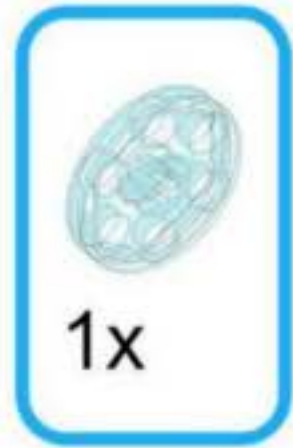
Gergert's lab

Gergert's lab



lab

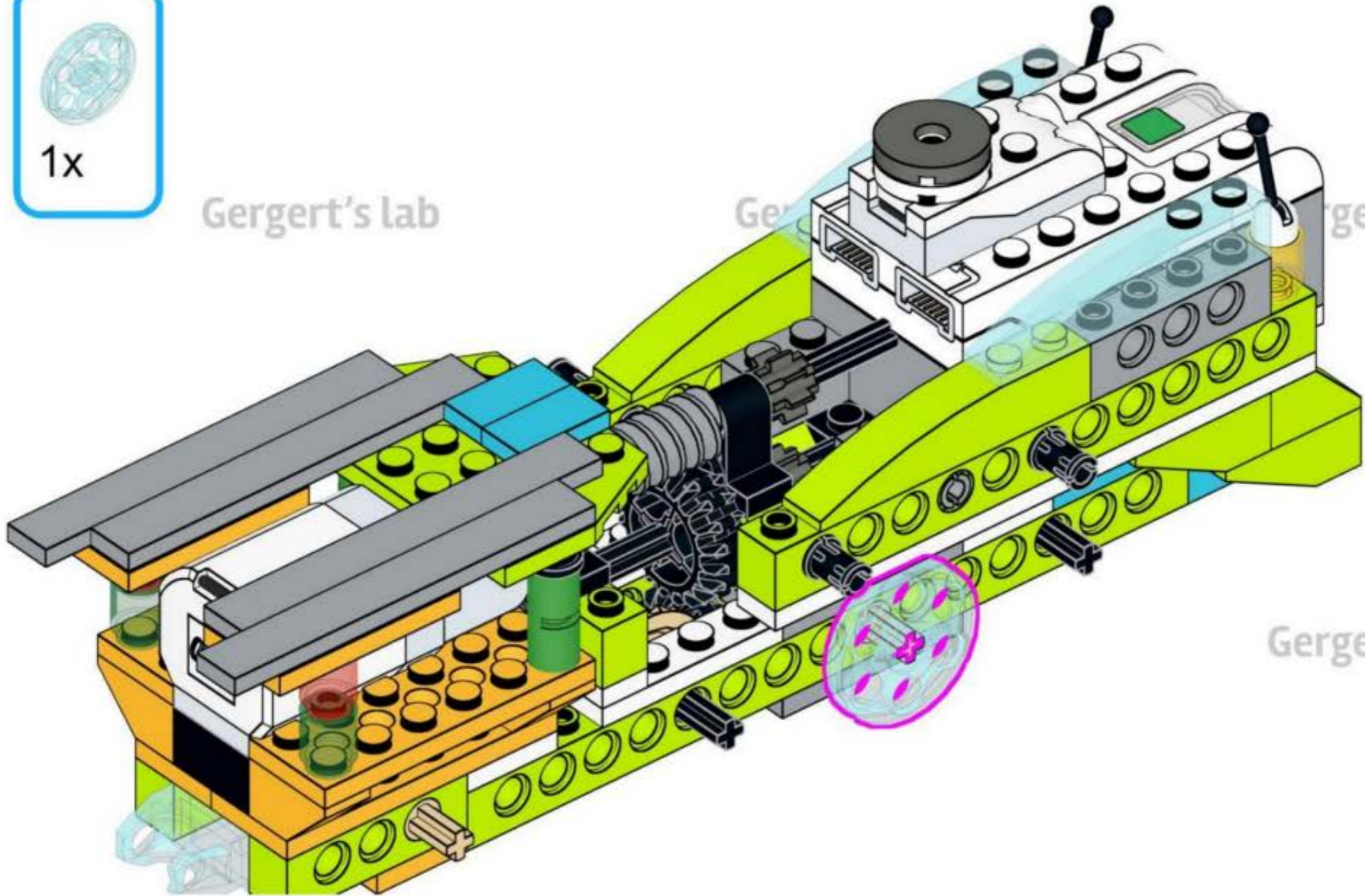
Gergert's lab



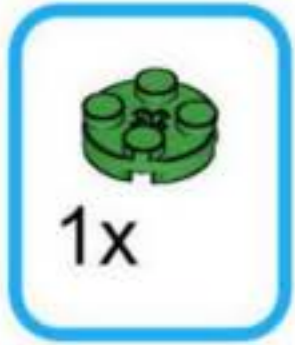
Gergert's lab

Ge

gert's lab



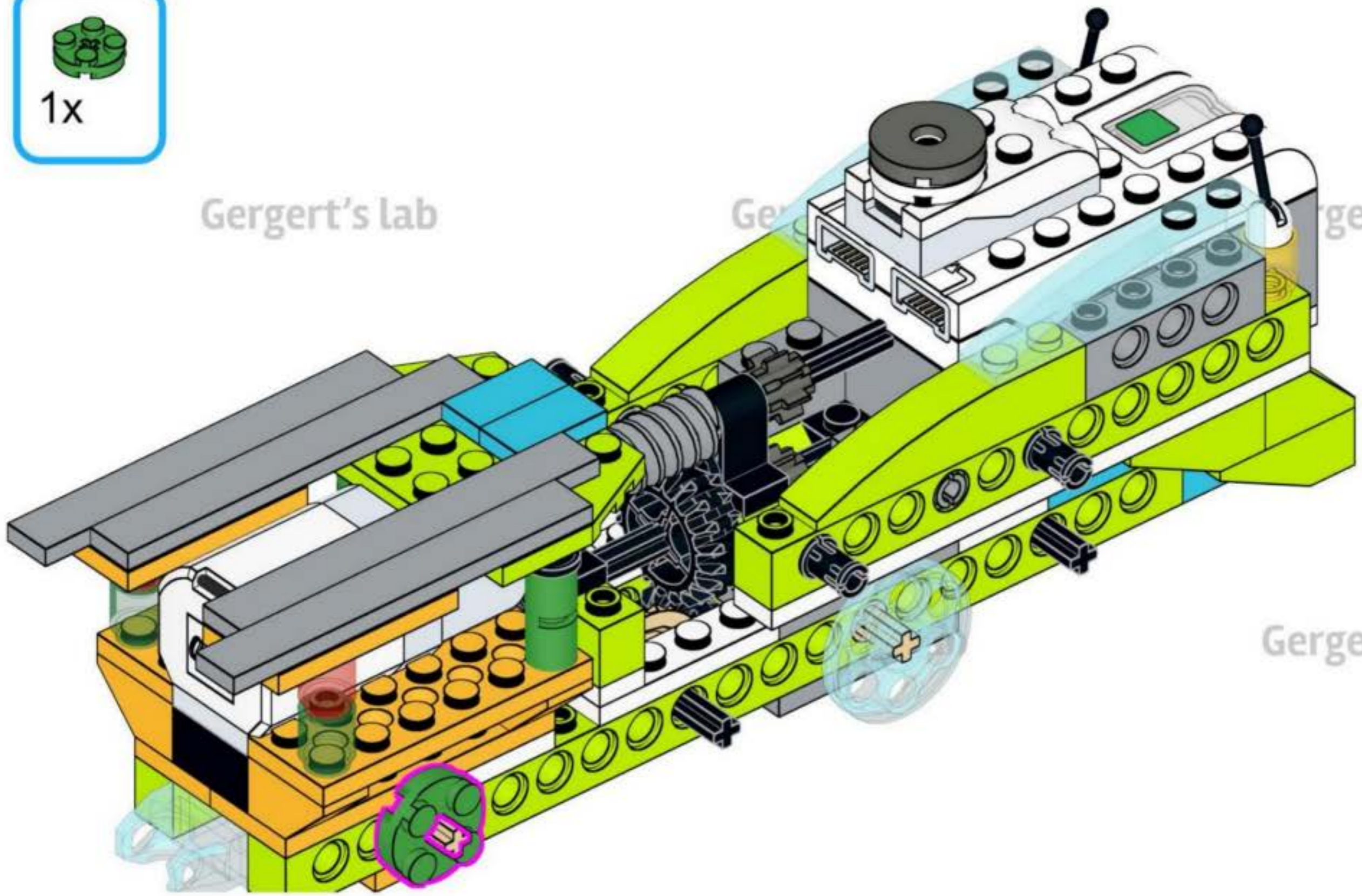
Gergert's lab



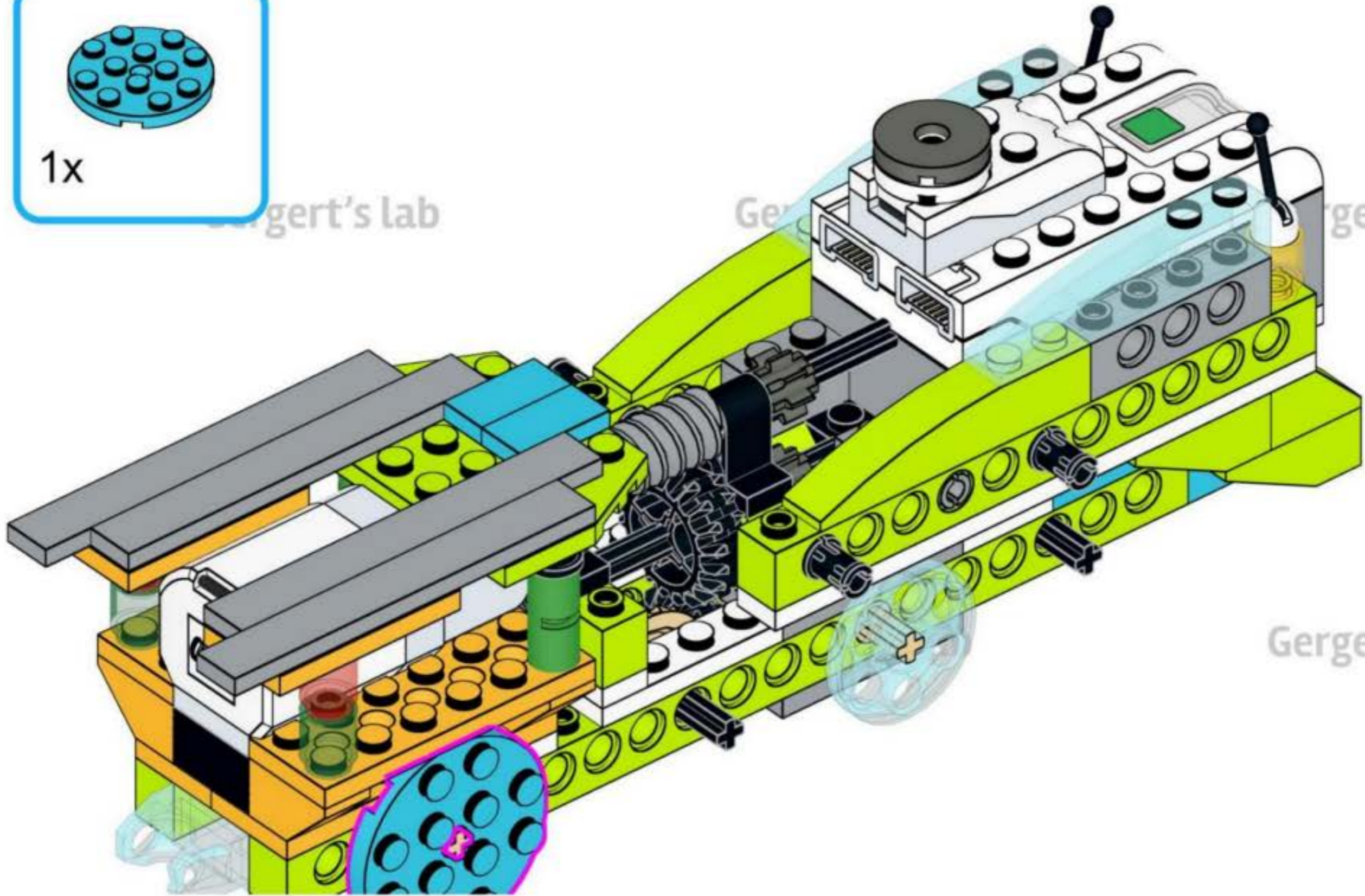
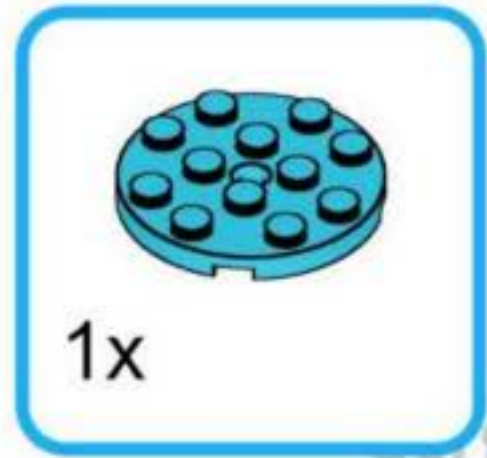
Gergert's lab

Ger

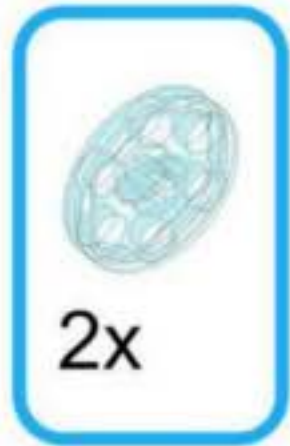
gert's lab



Gergert's lab



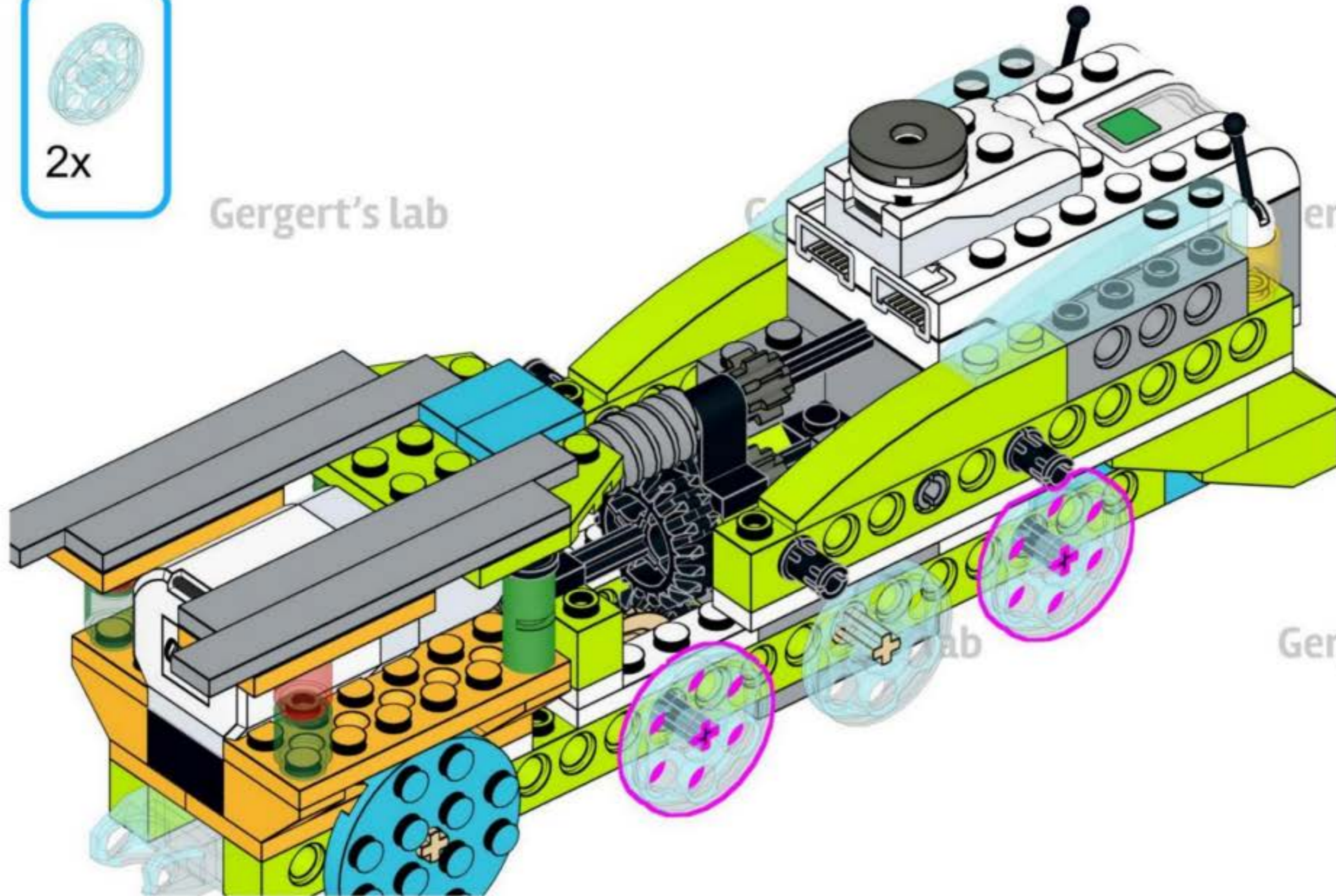
Gergert's lab



Gergert's lab

G

ergert's lab



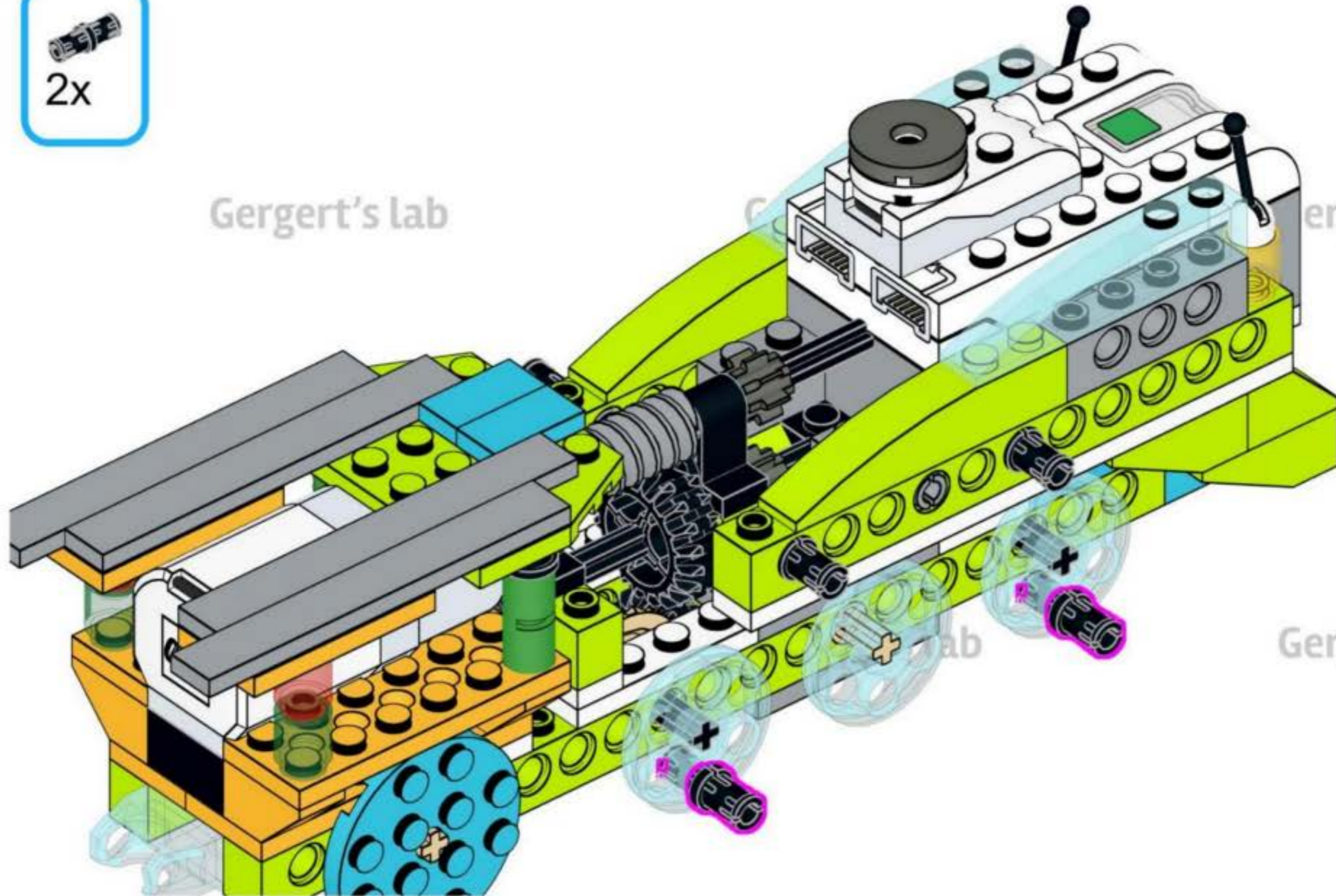
ab

Gergert's lab



Gergert's lab

Gergert's lab



lab

Gergert's lab



Gergert's lab

Gergert's lab

Gergert's lab



Gergert's lab

Gergert's lab

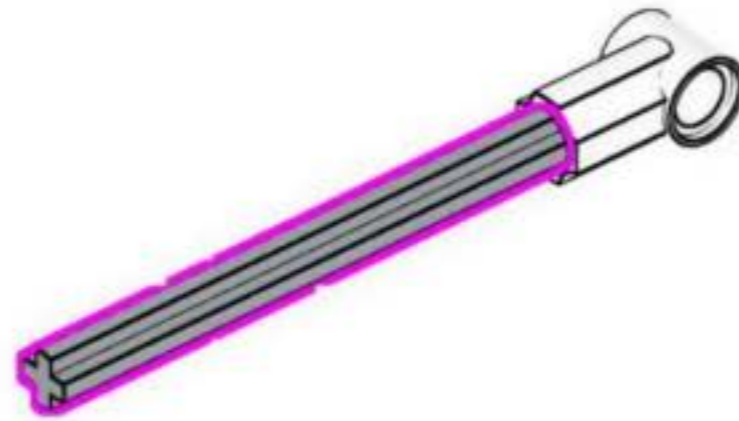
Gergert's lab



Gergert's lab

Gergert's lab

Gergert's lab



Gergert's lab

Gergert's lab

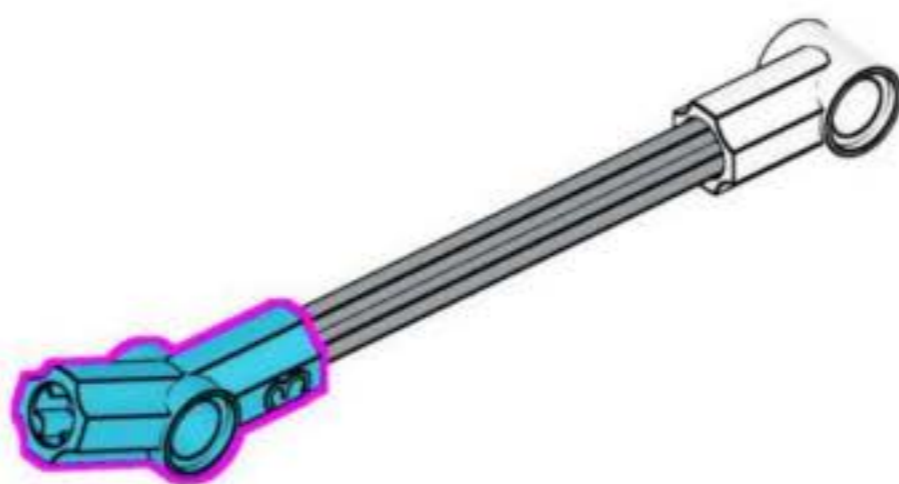
Gergert's lab



Gergert's lab

Gergert's lab

Gergert's lab



Gergert's lab

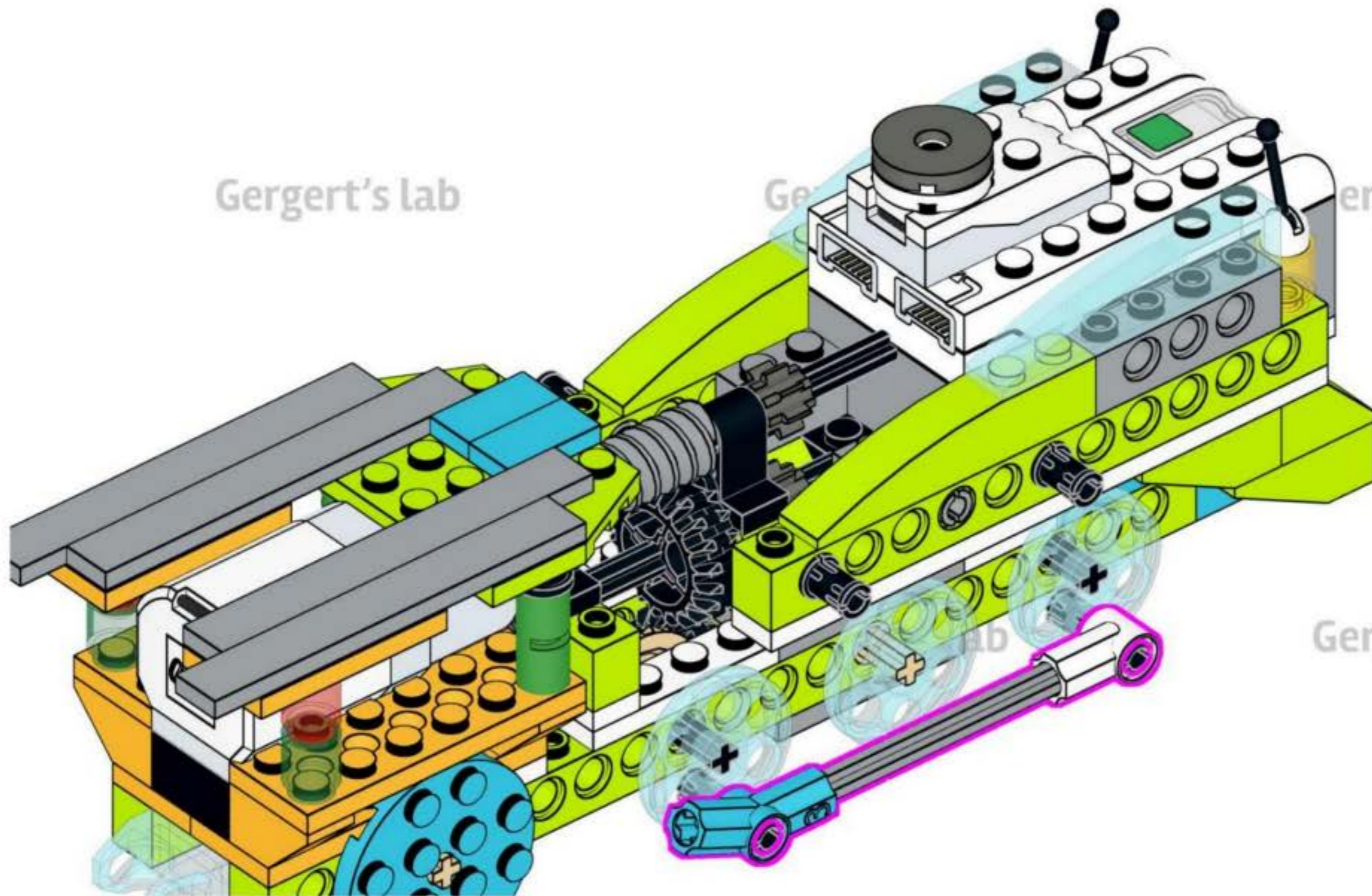
Gergert's lab

Gergert's lab

Gergert's lab

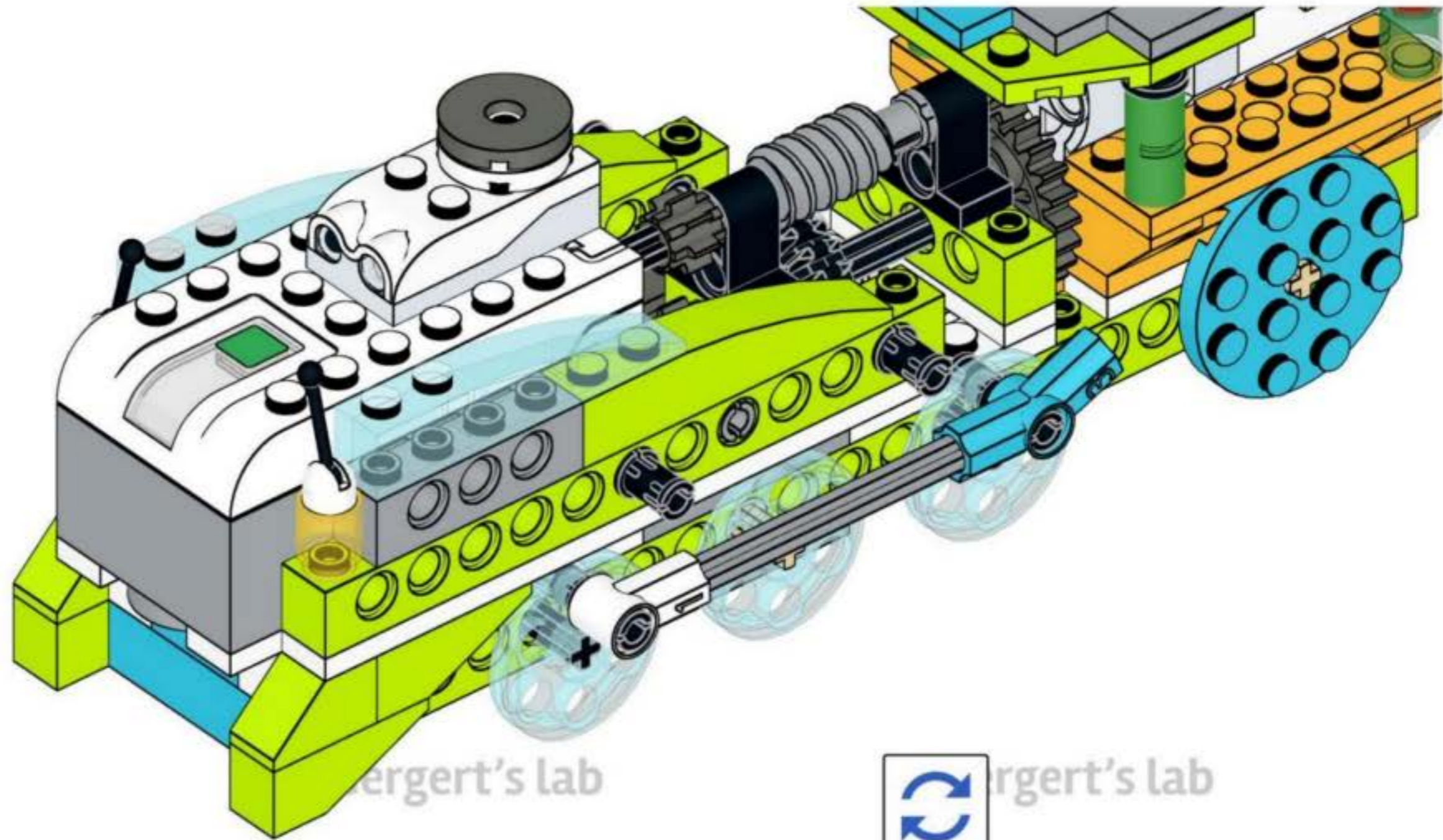
Ge

ergert's lab



Gergert's lab

Gergert's lab

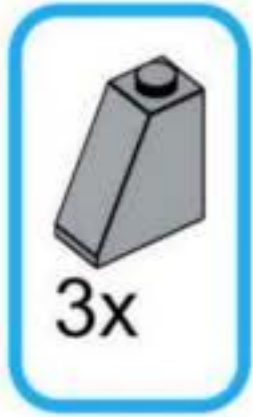


Gergert's lab

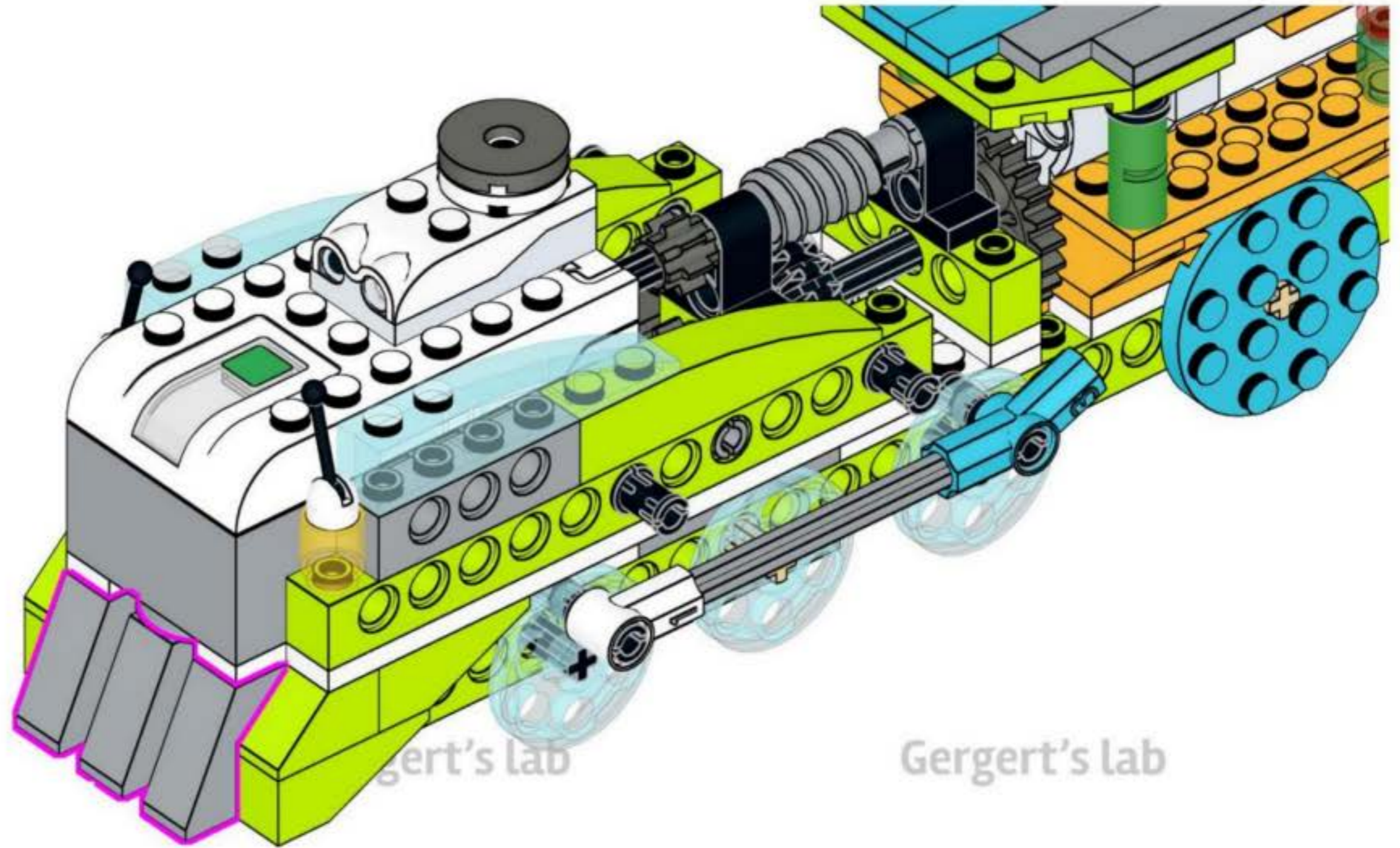
Gergert's lab



Gergert's lab



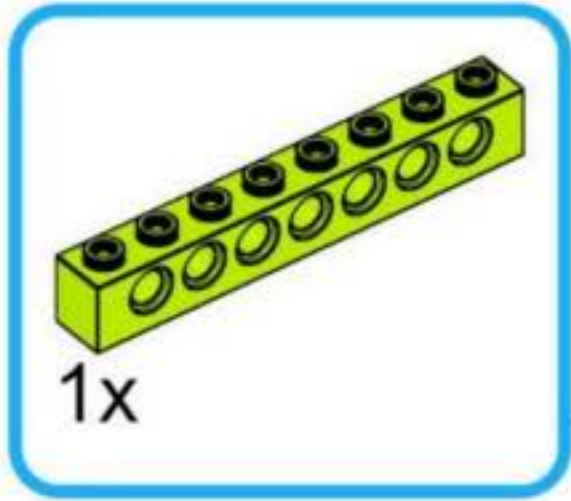
Gergert's lab



Gergert's lab

Gergert's lab

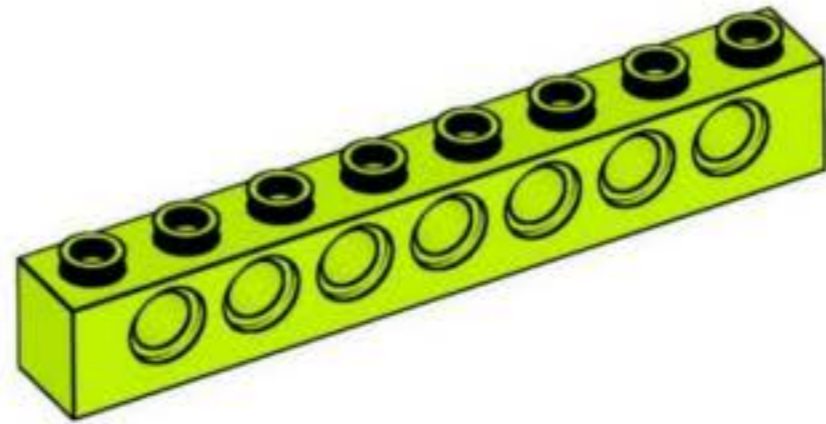
Gergert's lab



Gergert's lab

Gergert's lab

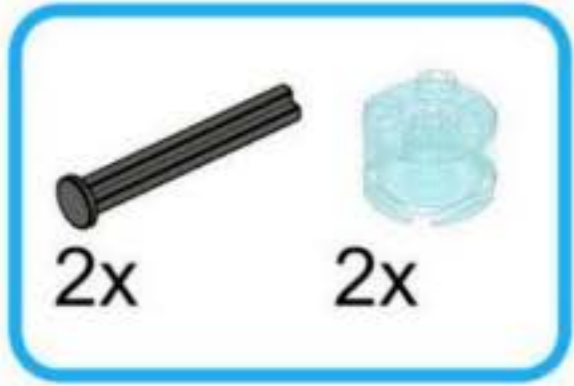
Gergert's lab



Gergert's lab

Gergert's lab

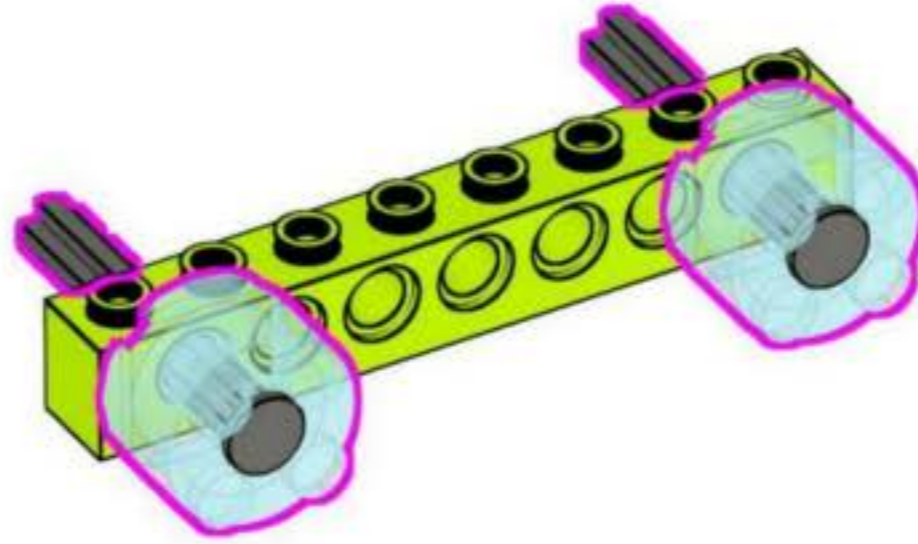
Gergert's lab



Gergert's lab

Gergert's lab

Gergert's lab



Gergert's lab

Gergert's lab

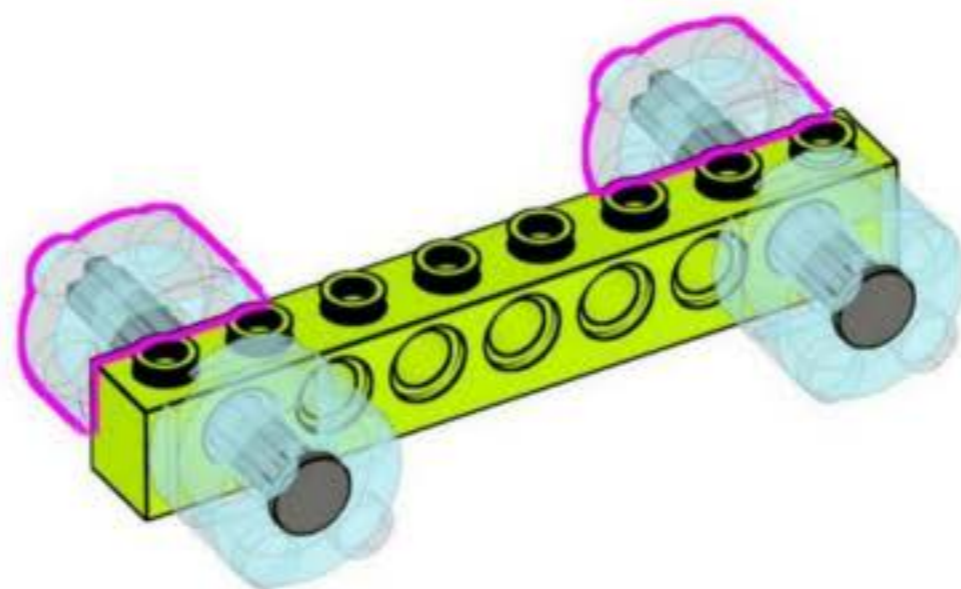
Gergert's lab



Gergert's lab

Gergert's lab

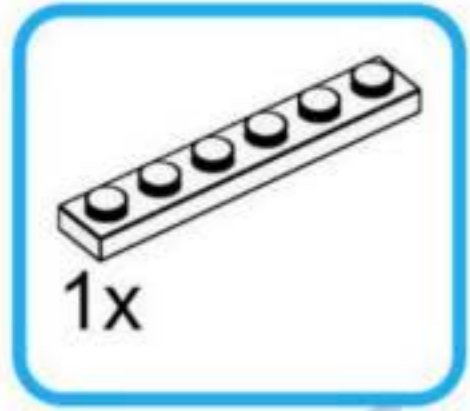
Gergert's lab



Gergert's lab

Gergert's lab

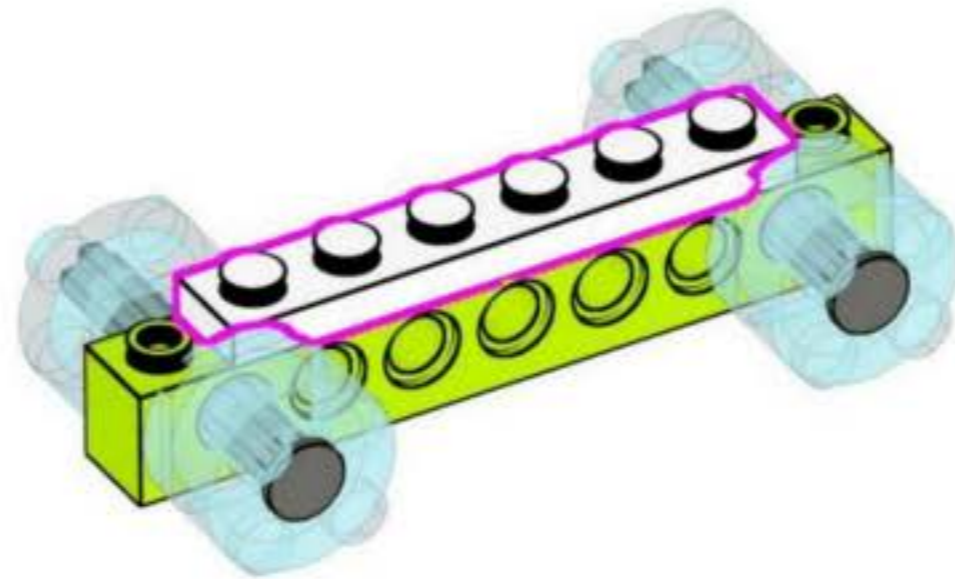
Gergert's lab



Gergert's lab

Gergert's lab

Gergert's lab



Gergert's lab

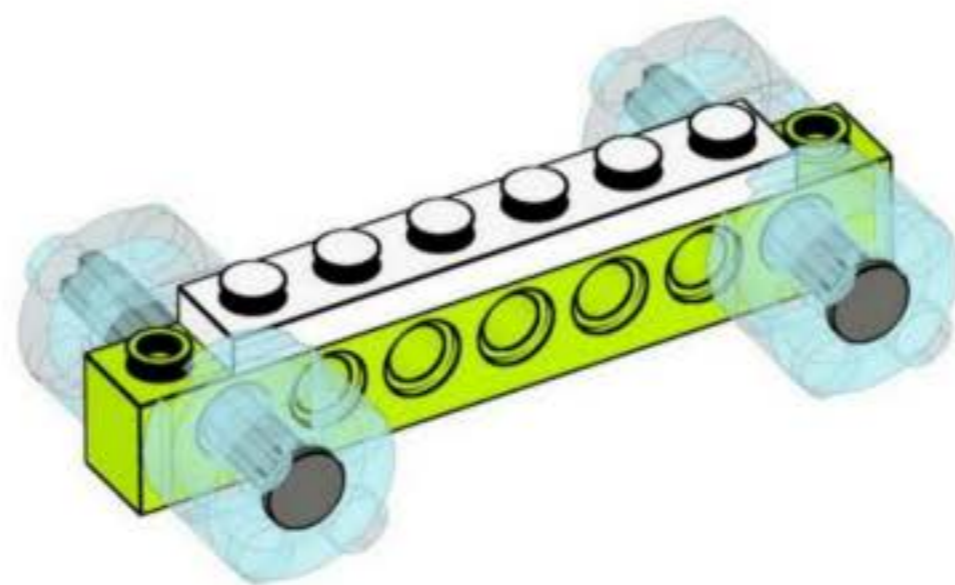
Gergert's lab

Gergert's lab

Gergert's lab

Gergert's lab

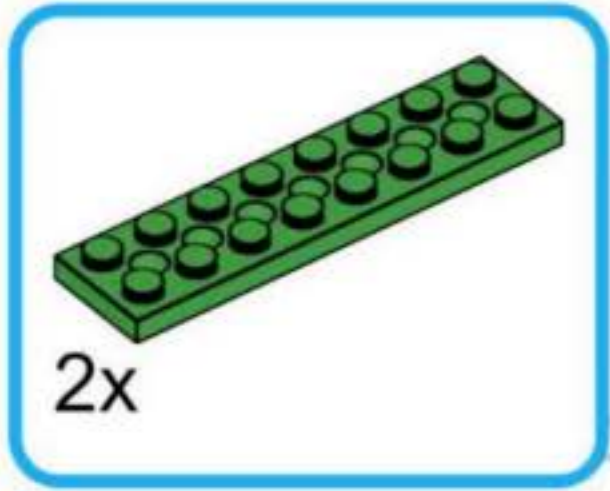
Gergert's lab



Gergert's lab

Gergert's lab

Gergert's lab

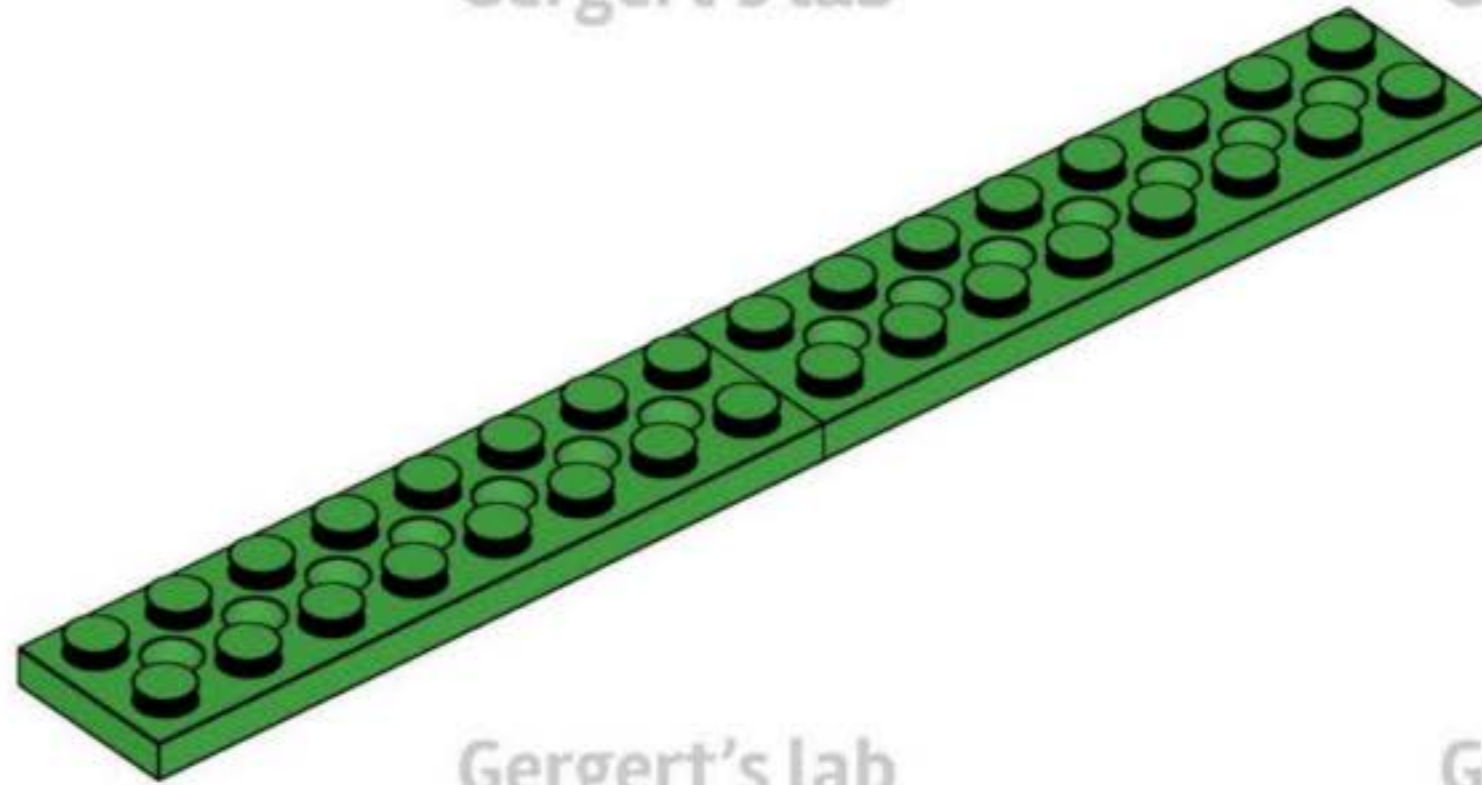


2x

's lab

Gergert's lab

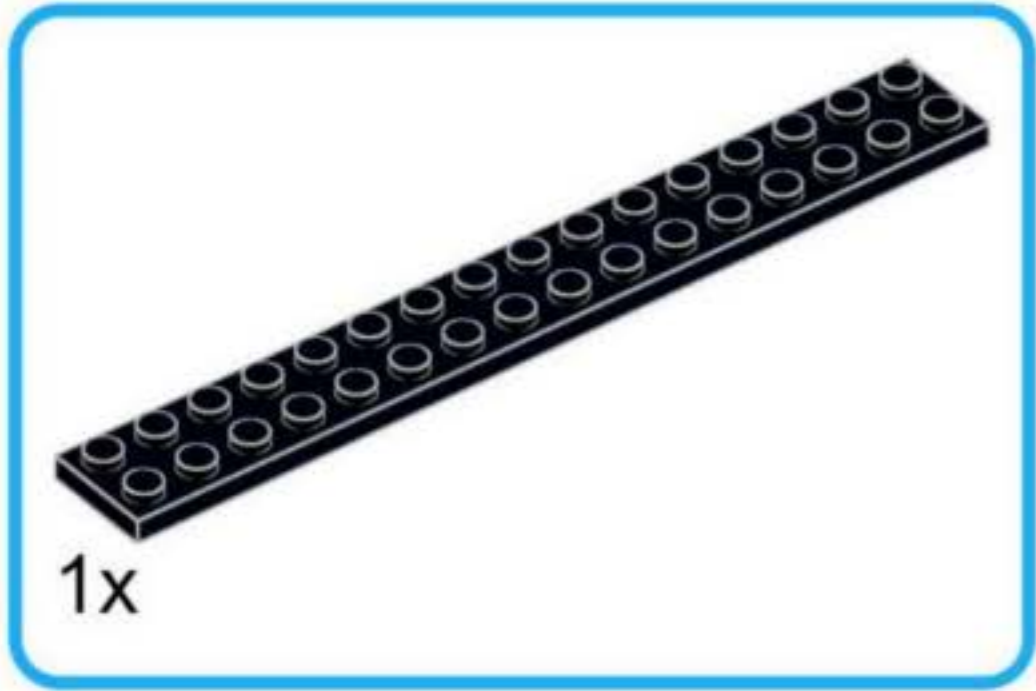
Gergert's lab



Gergert's lab

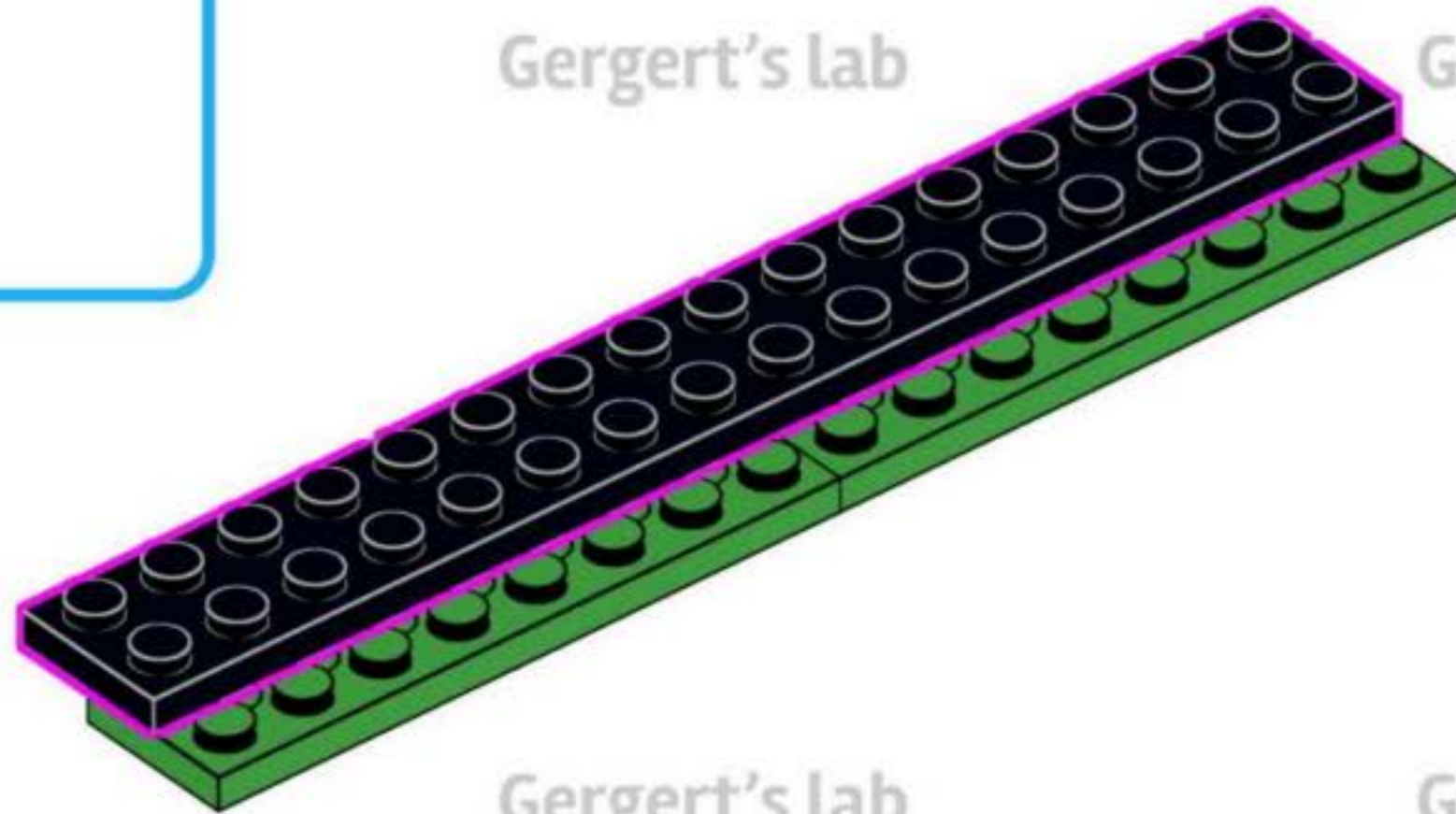
Gergert's lab

Gergert's lab



Gergert's lab

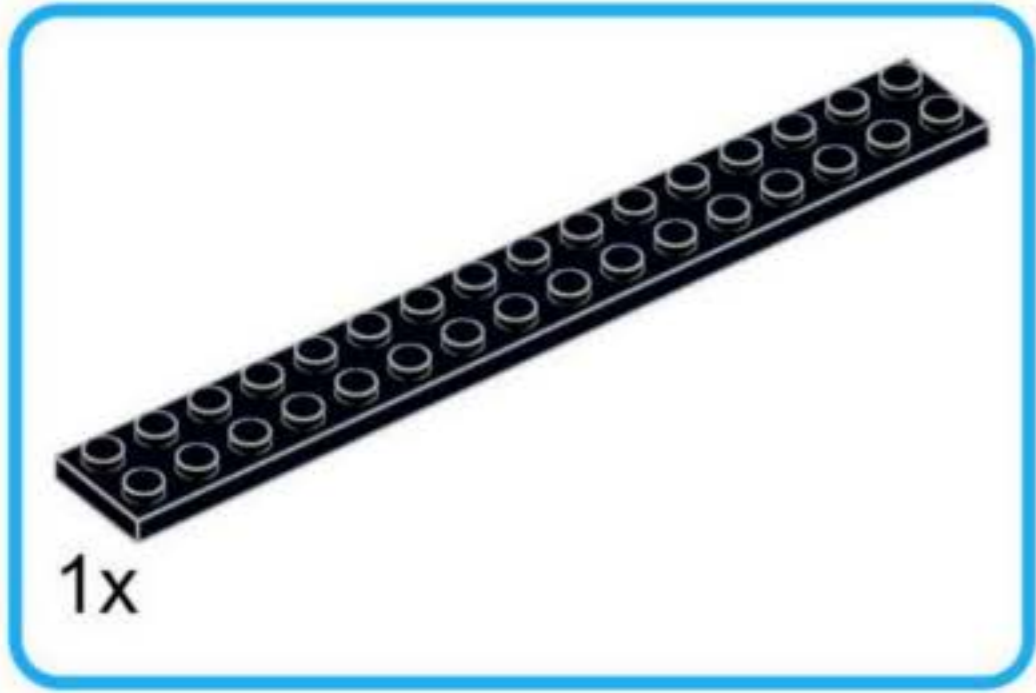
Gergert's lab



Gergert's lab

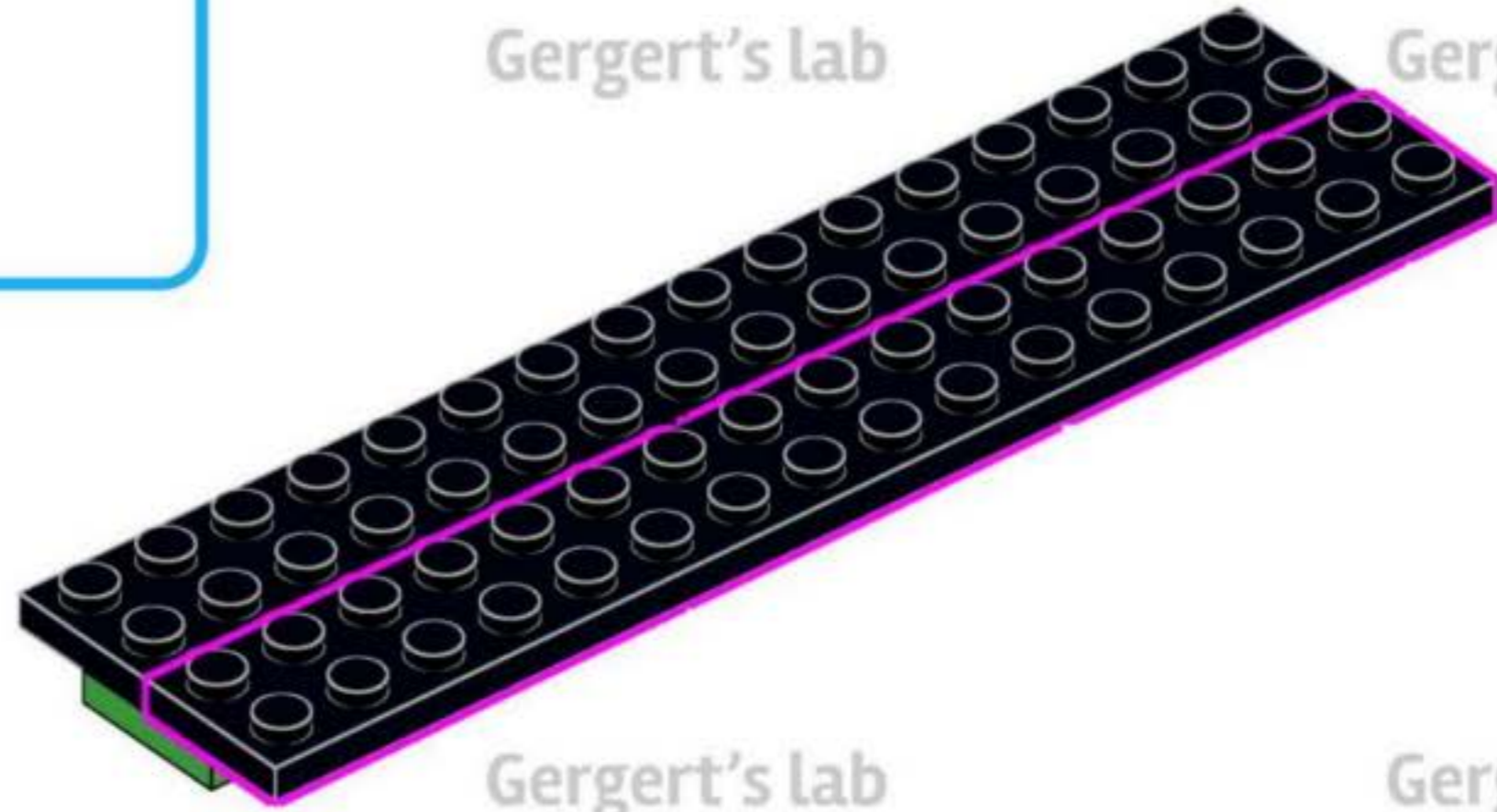
Gergert's lab

Gergert's lab



Gergert's lab

Gergert's lab



Gergert's lab

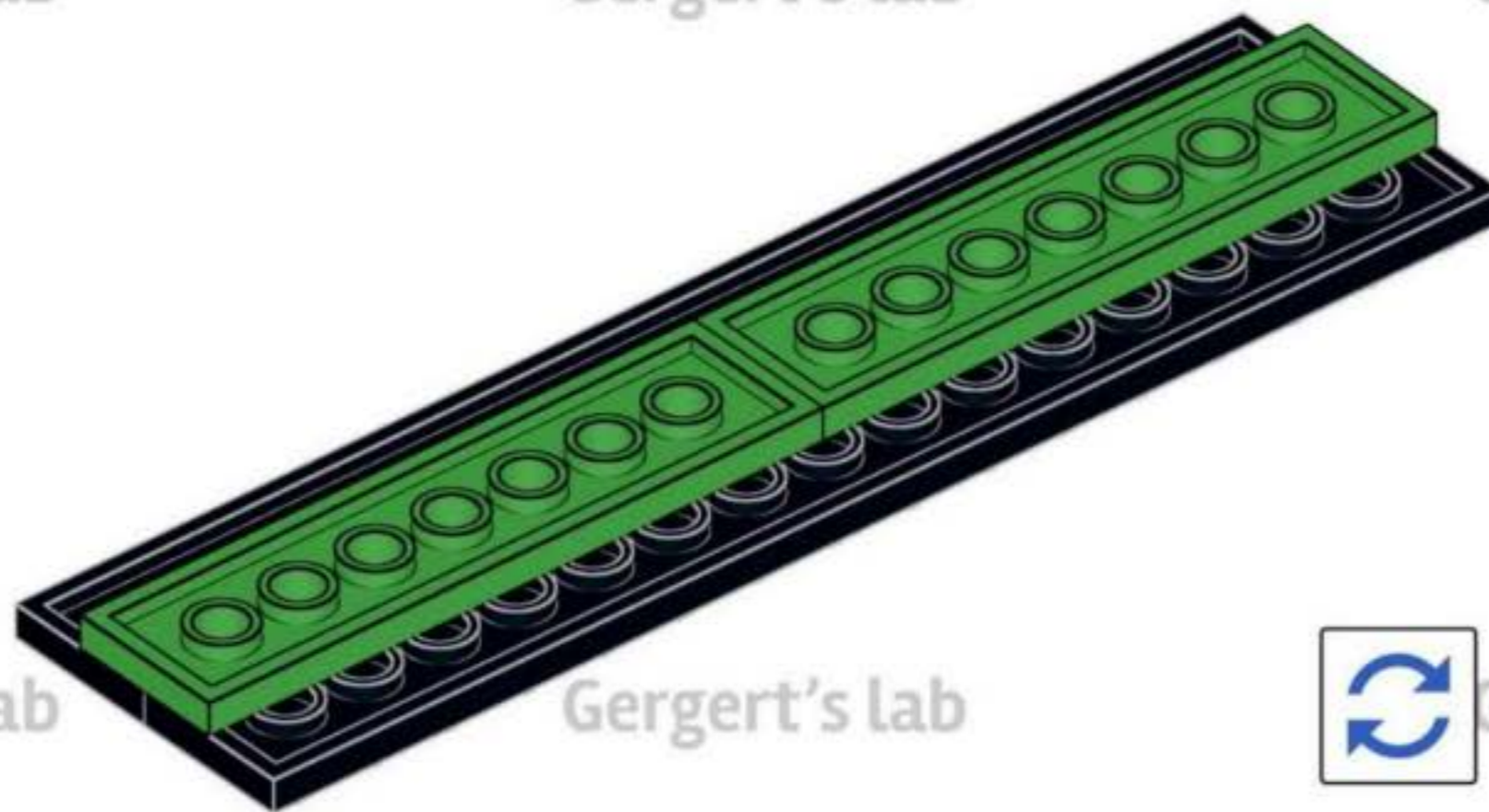
Gergert's lab

Gergert's lab

Gergert's lab

Gergert's lab

Gergert's lab



Gergert's lab

Gergert's lab



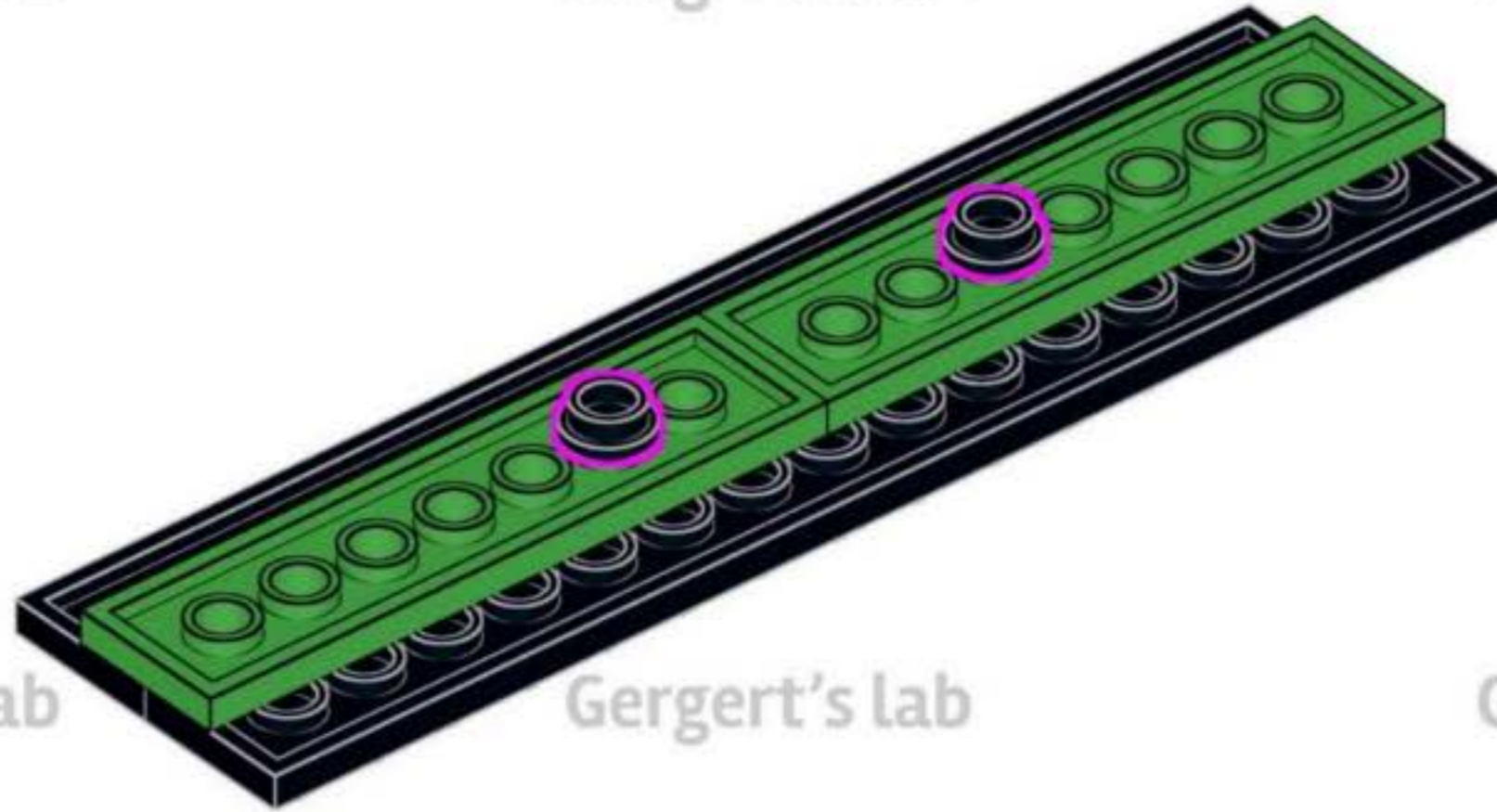
Gergert's lab



Gergert's lab

Gergert's lab

Gergert's lab



Gergert's lab

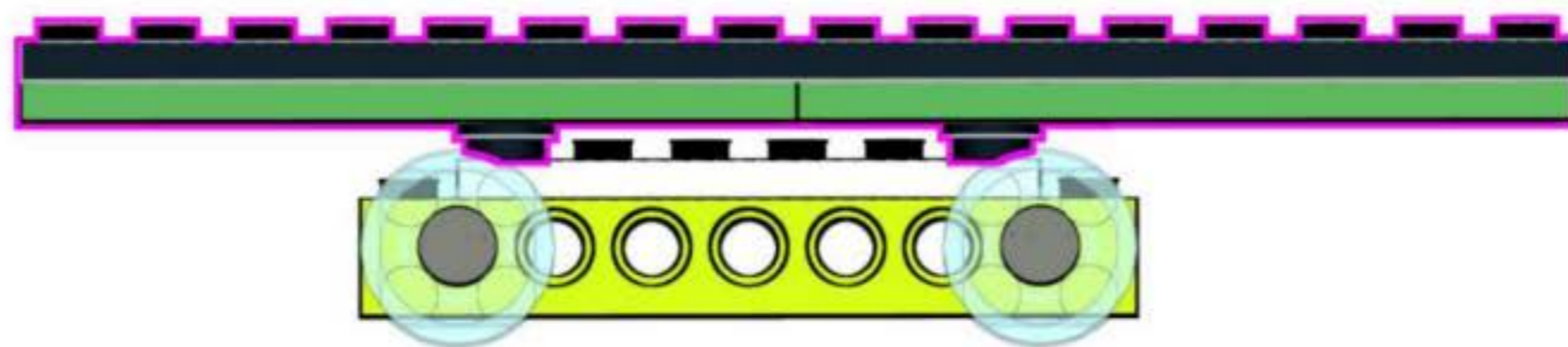
Gergert's lab

Gergert's lab

Gergert's lab

Gergert's lab

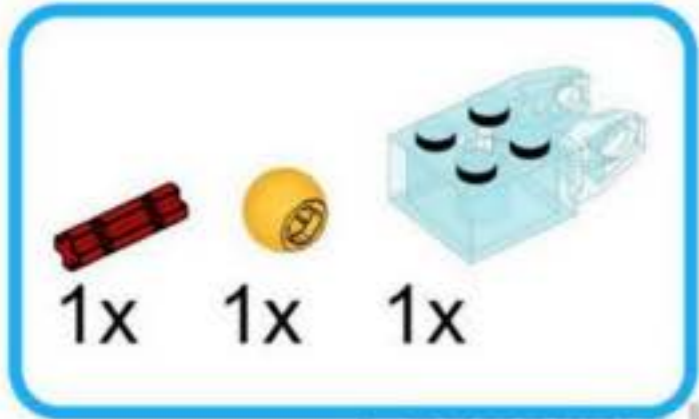
Gergert's lab



Gergert's lab

Gergert's lab

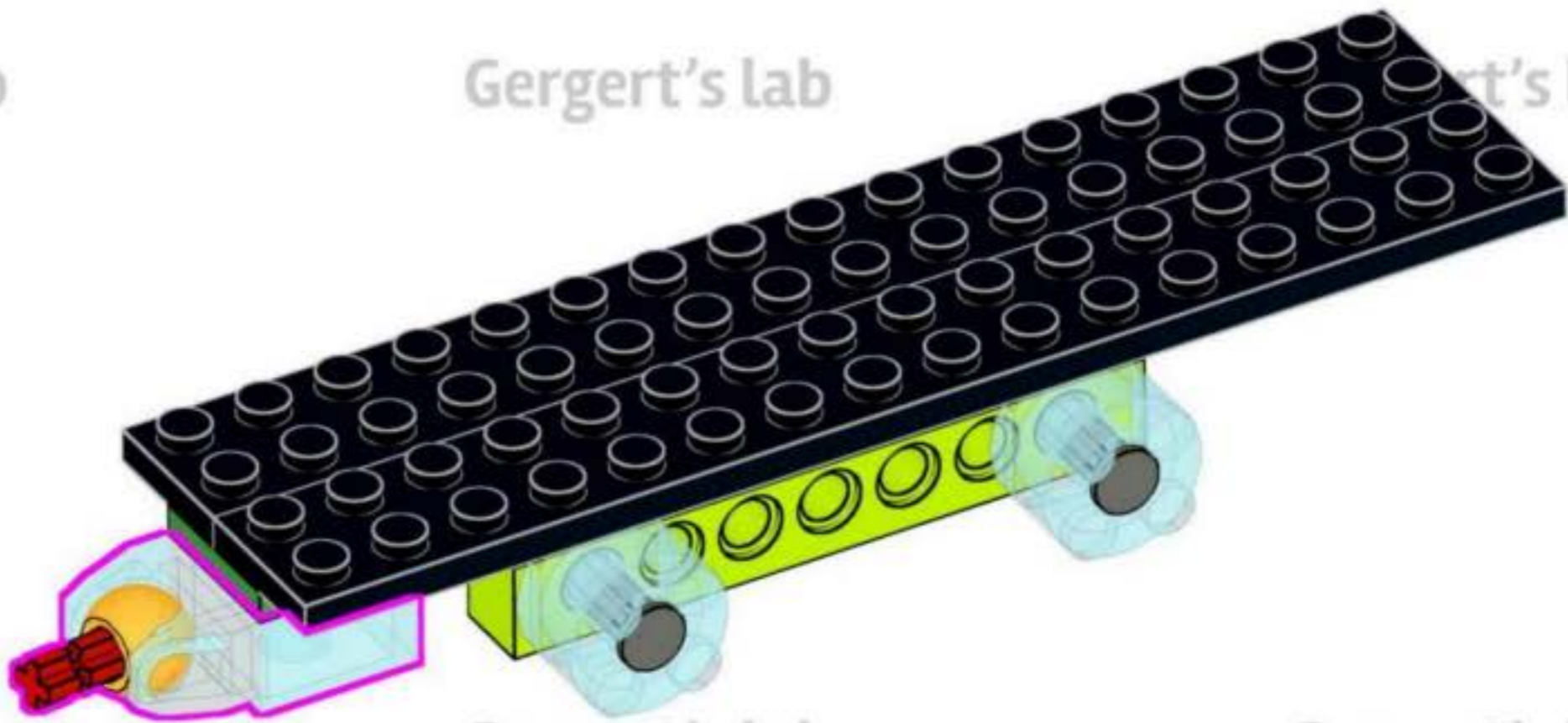
Gergert's lab



Gergert's lab

Gergert's lab

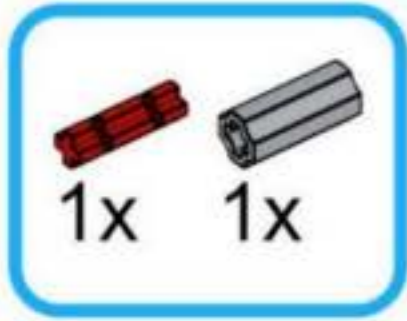
Gergert's lab



Gergert's lab

Gergert's lab

Gergert's lab



Gergert's lab

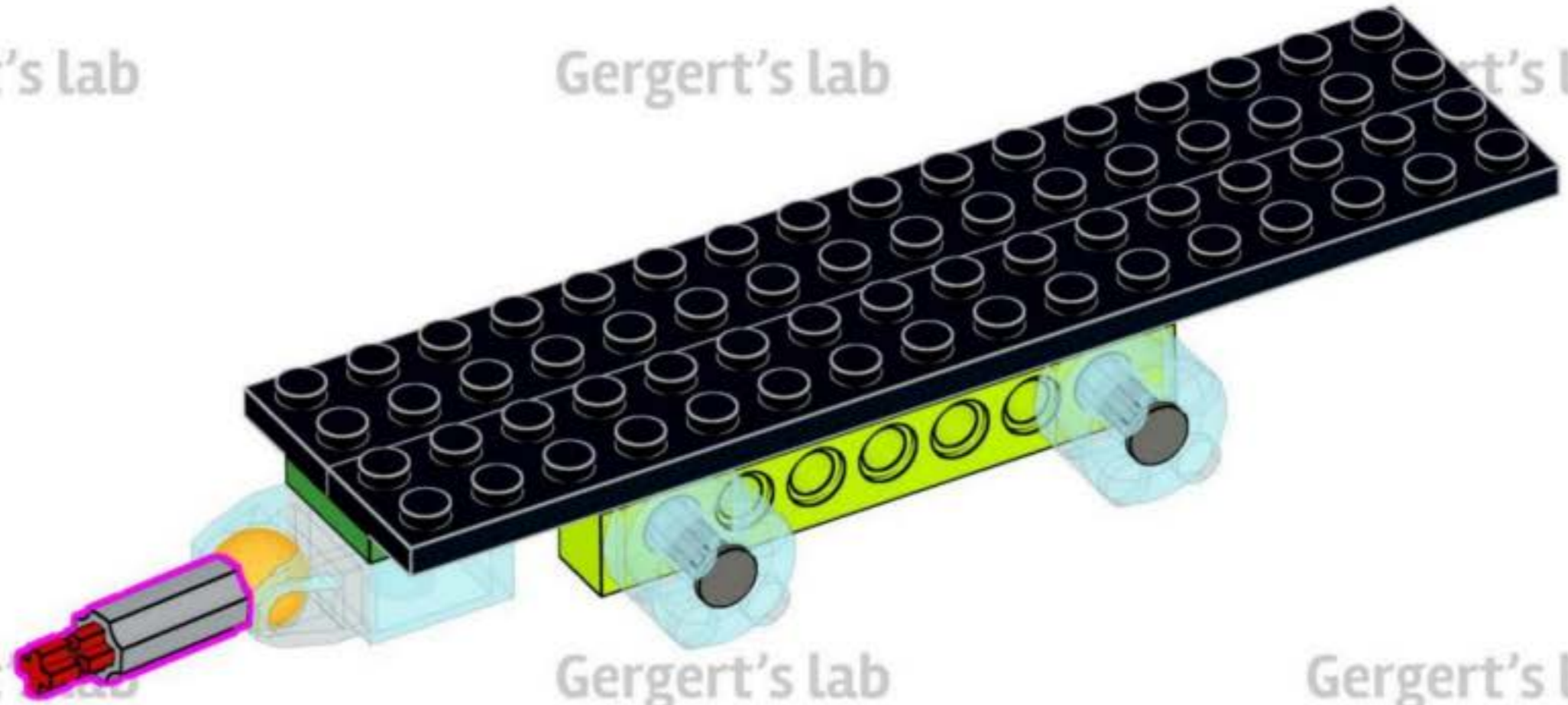
Gergert's lab

Gergert's lab

Gergert's lab

Gergert's lab

Gergert's lab





Gergert's lab

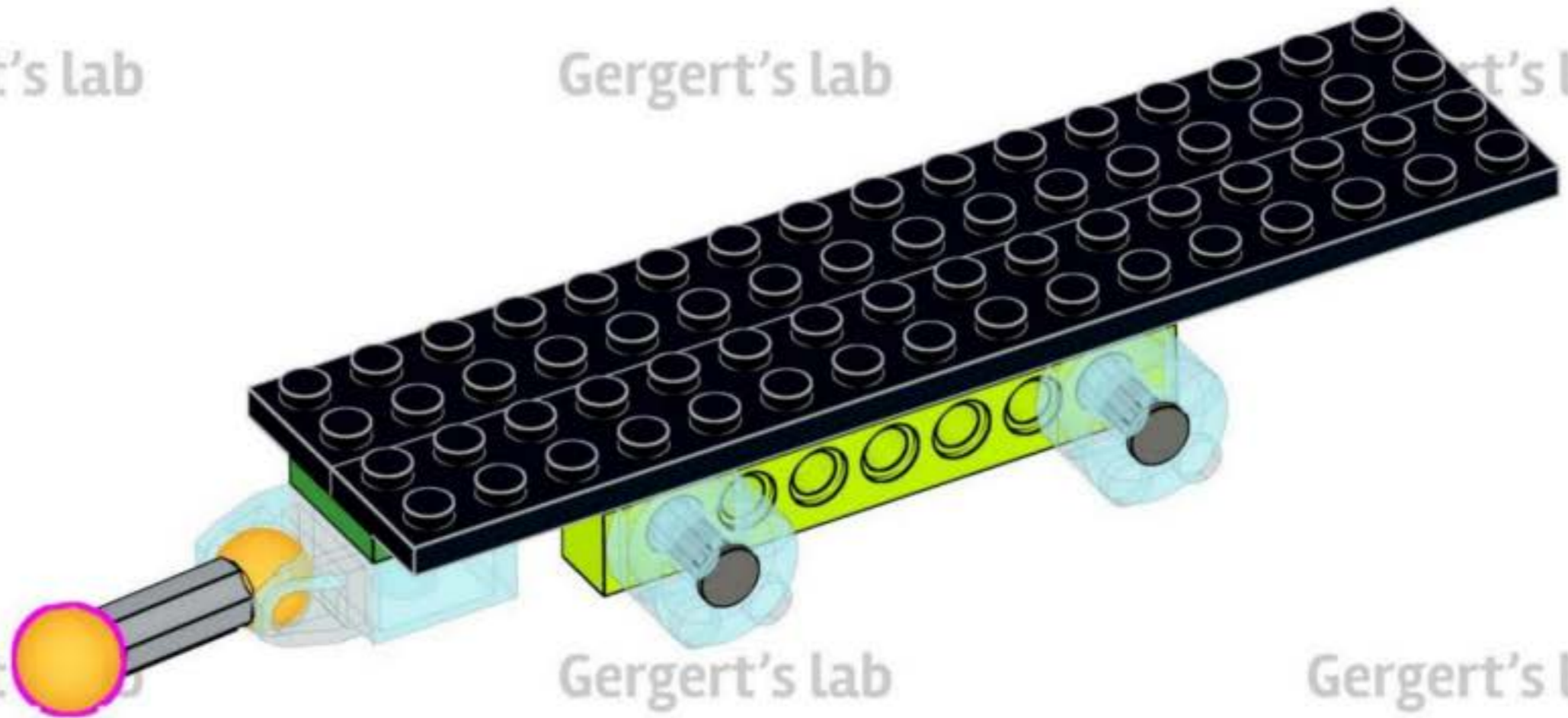
Gergert's lab

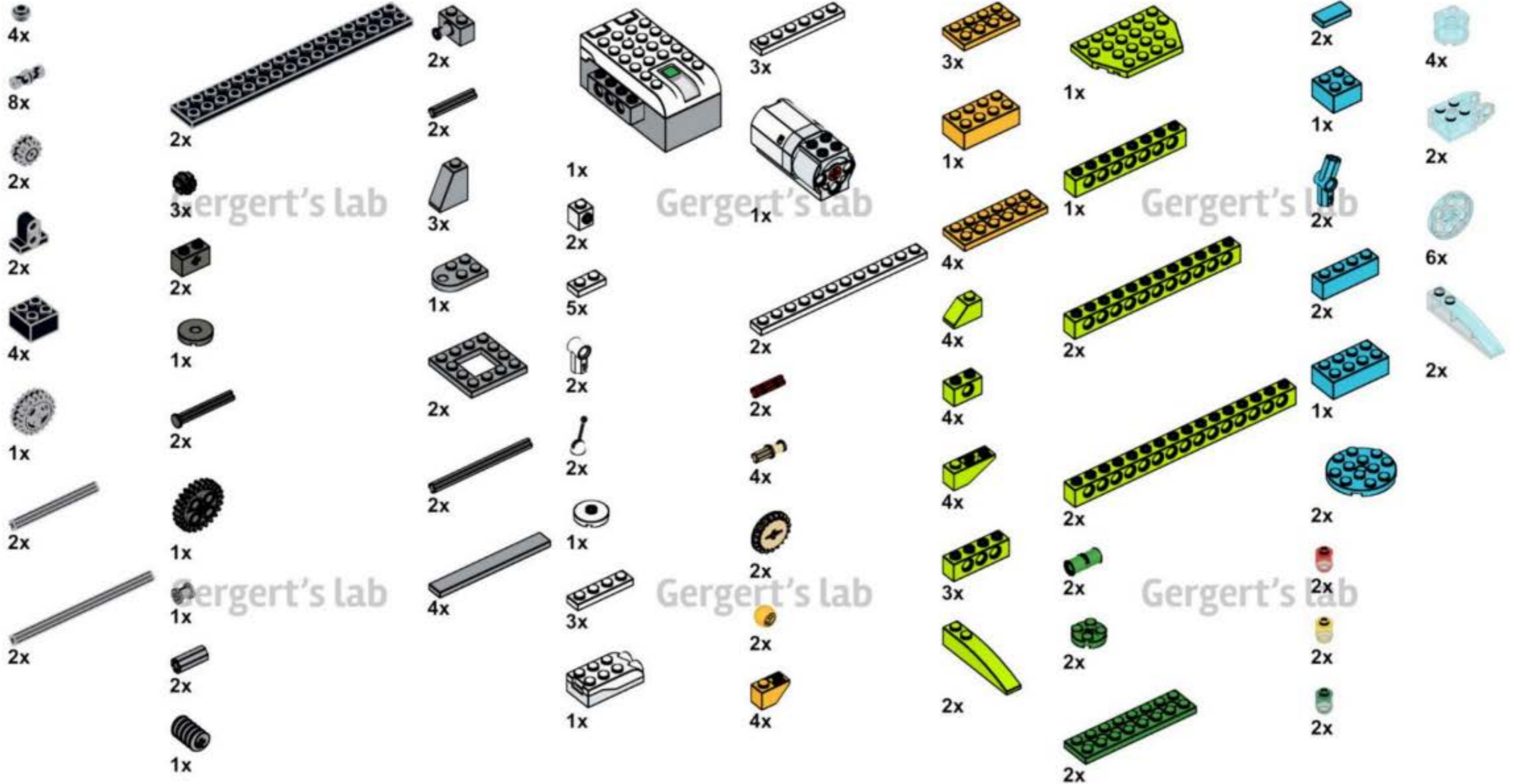
Gergert's lab

Gergert's lab

Gergert's lab

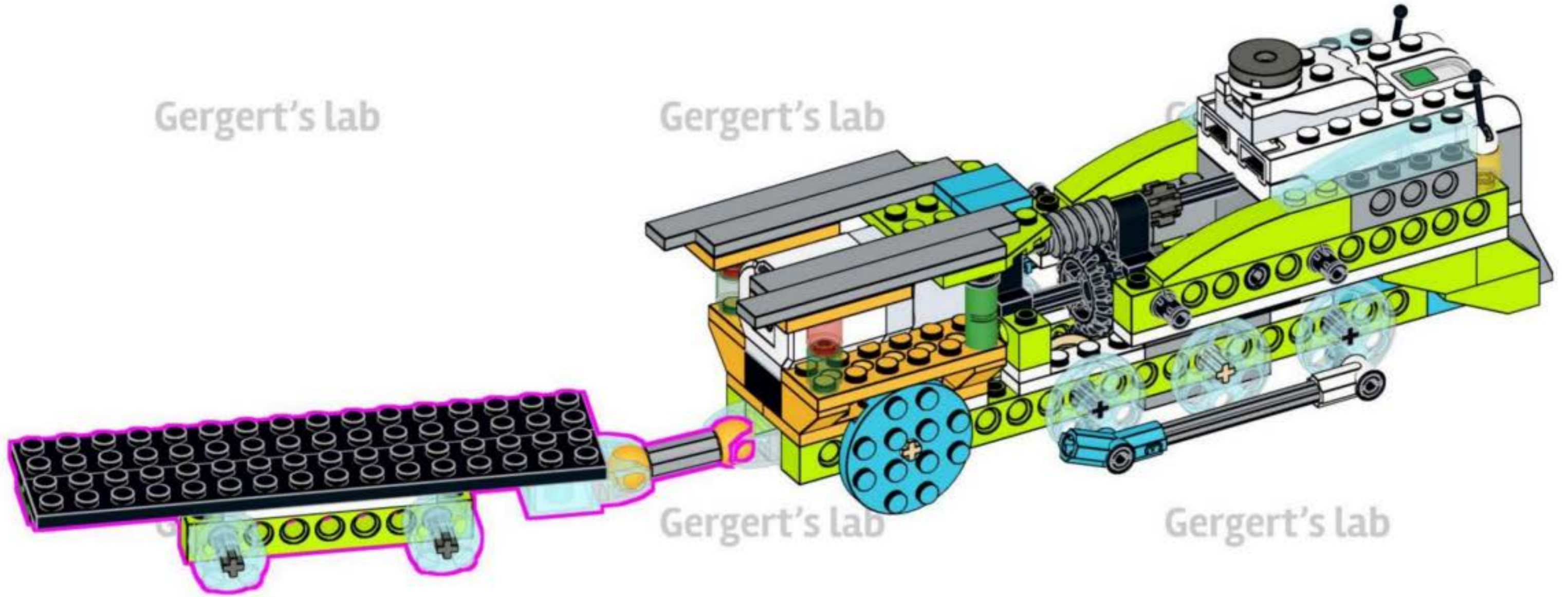
Gergert's lab





Gergert's lab

Gergert's lab



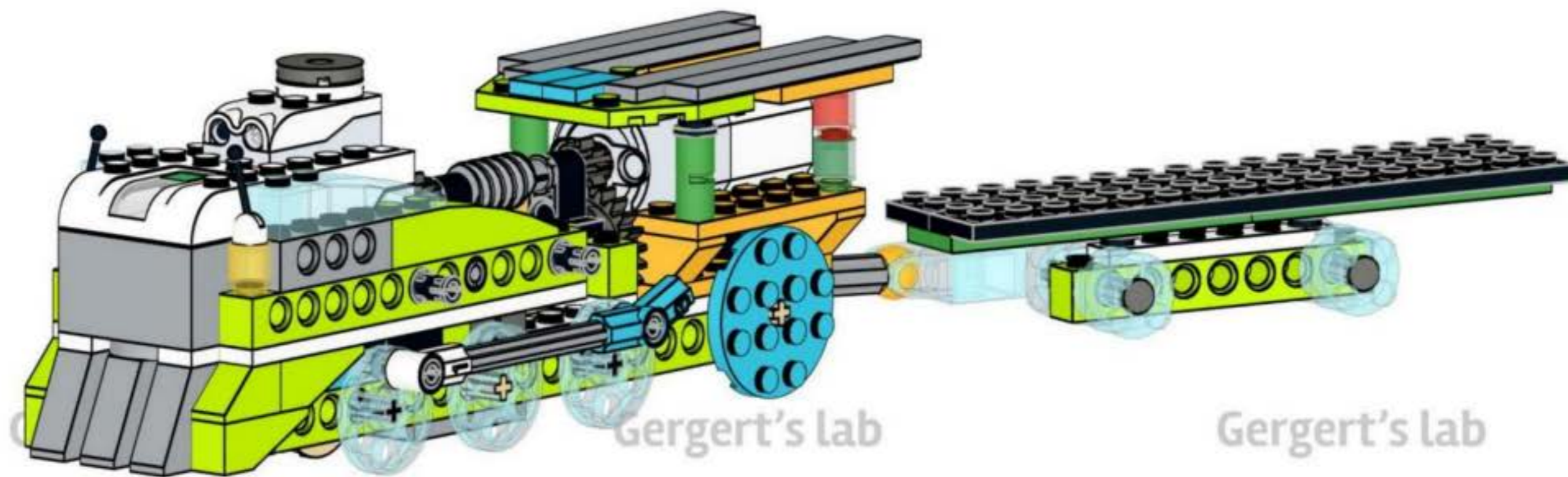
Gergert's lab

Gergert's lab

Gergert's lab

Gergert's lab

Gergert's lab



Gergert's lab

Gergert's lab