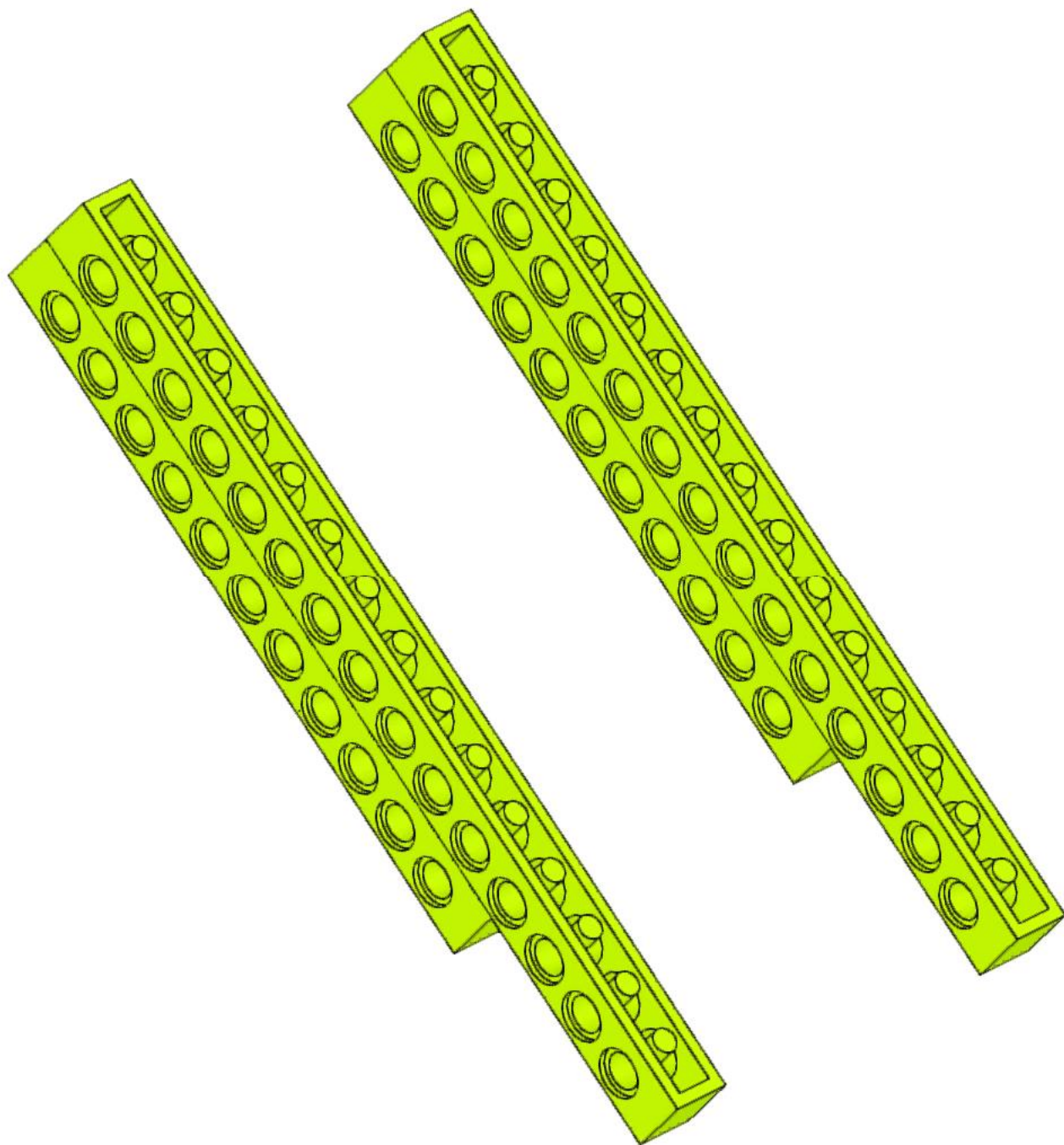
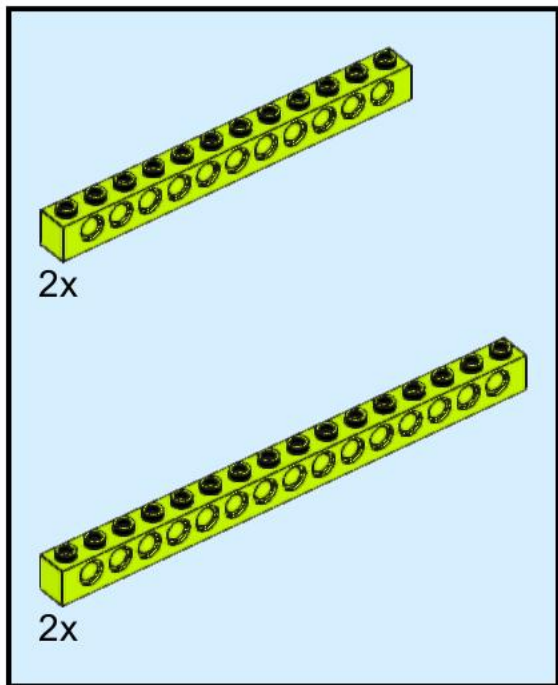
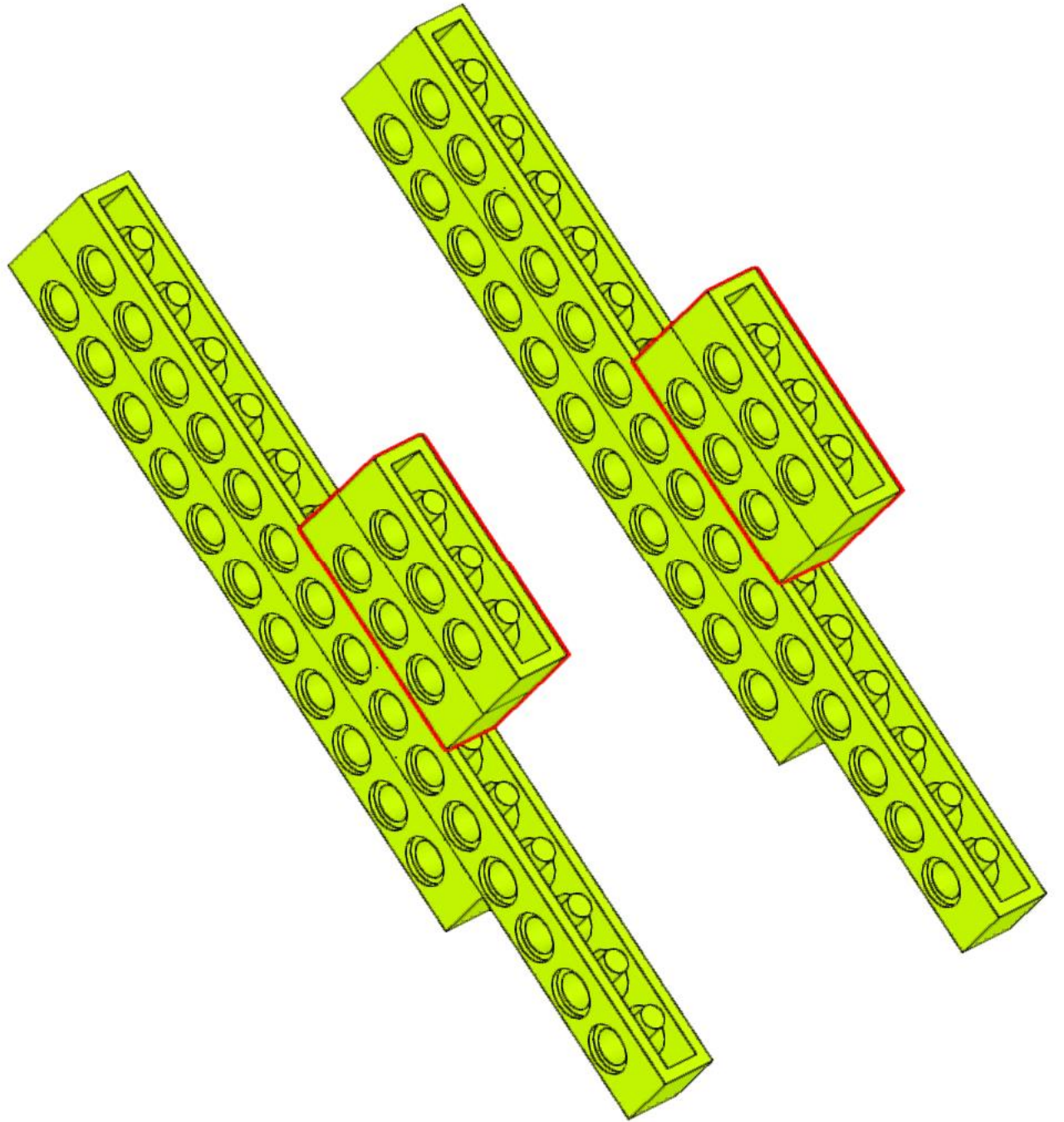
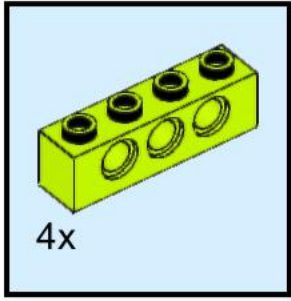


The Frogbot

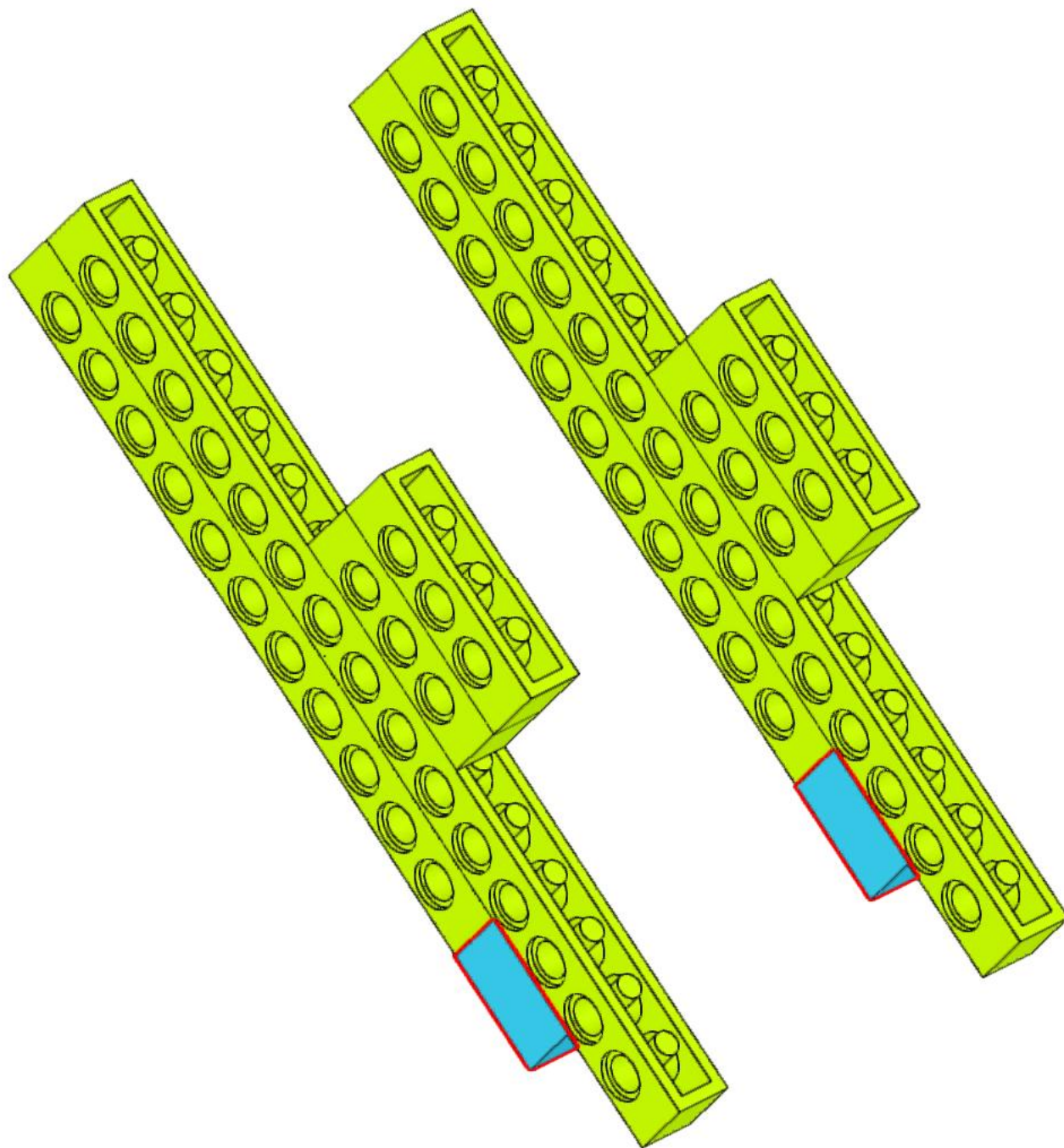
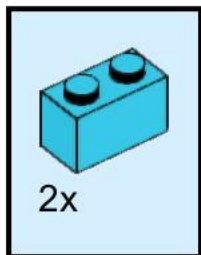
1



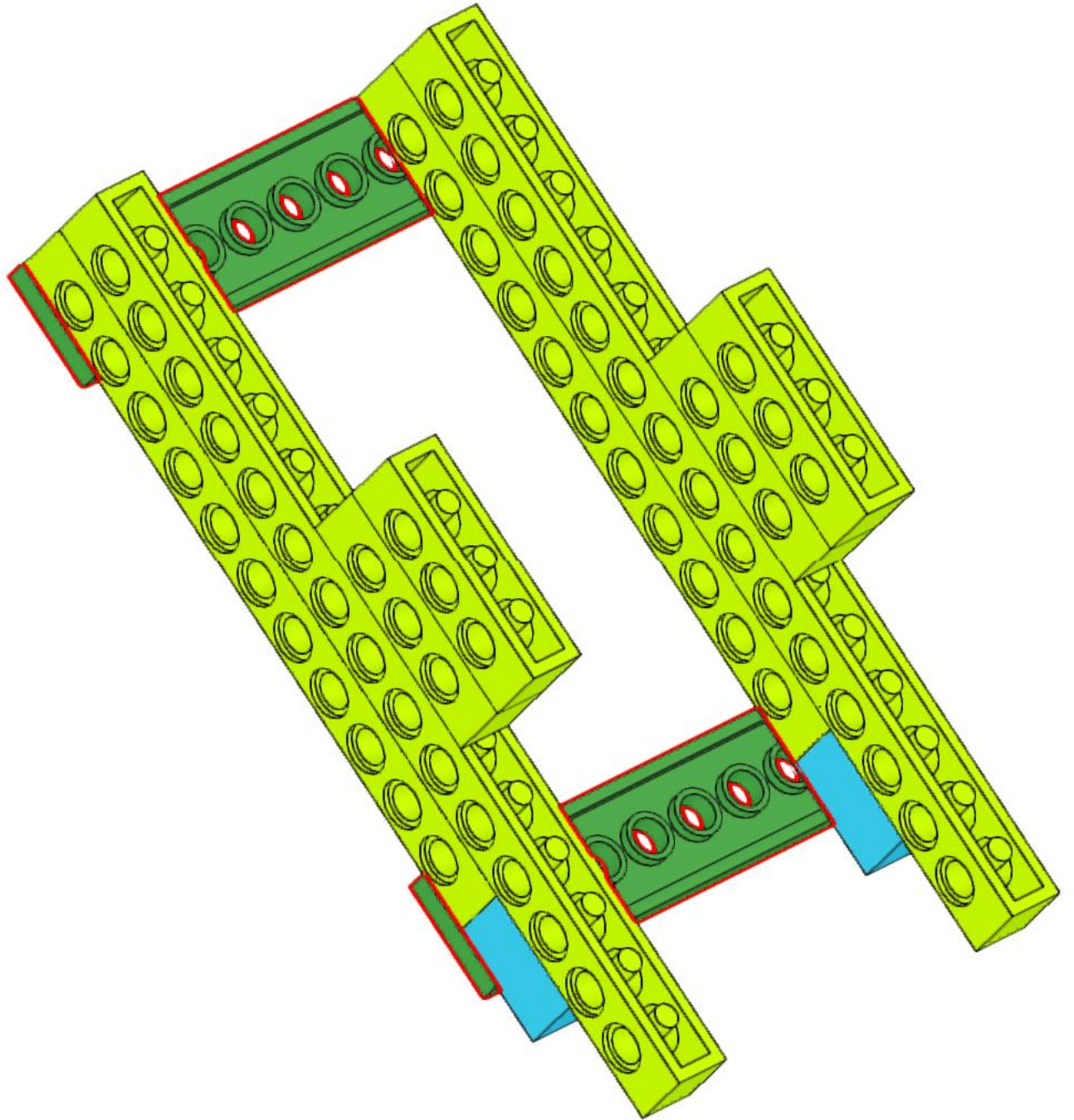
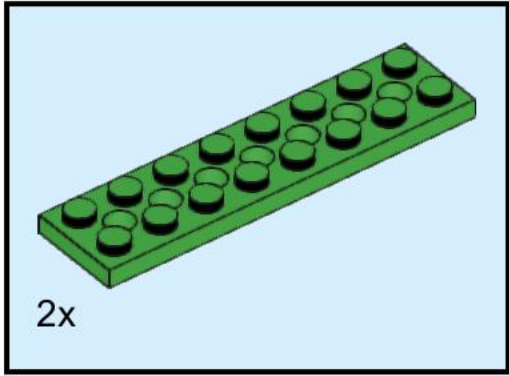
2



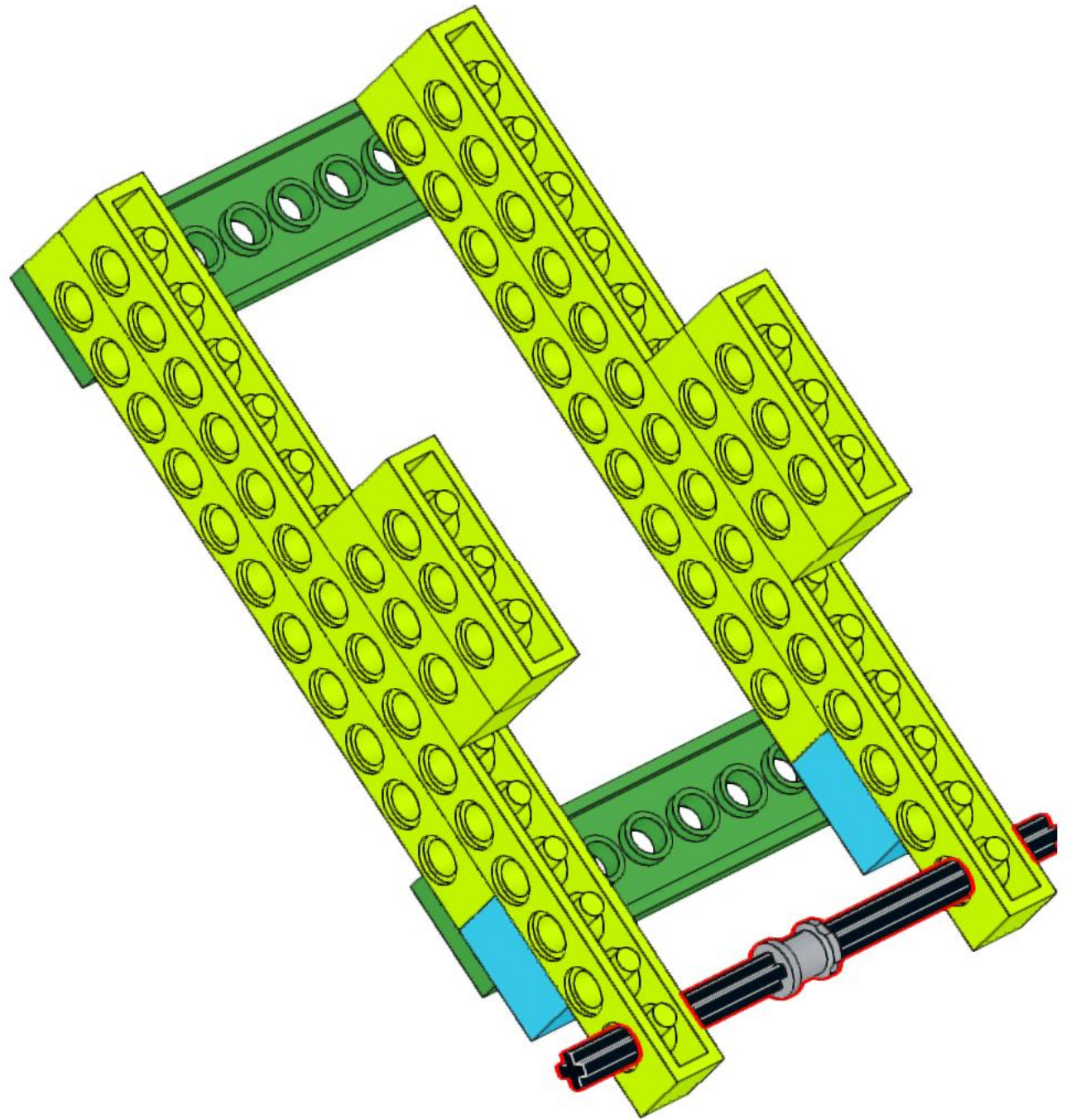
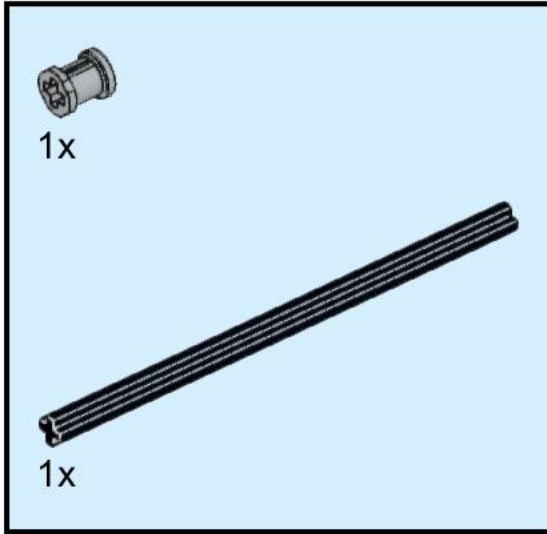
3



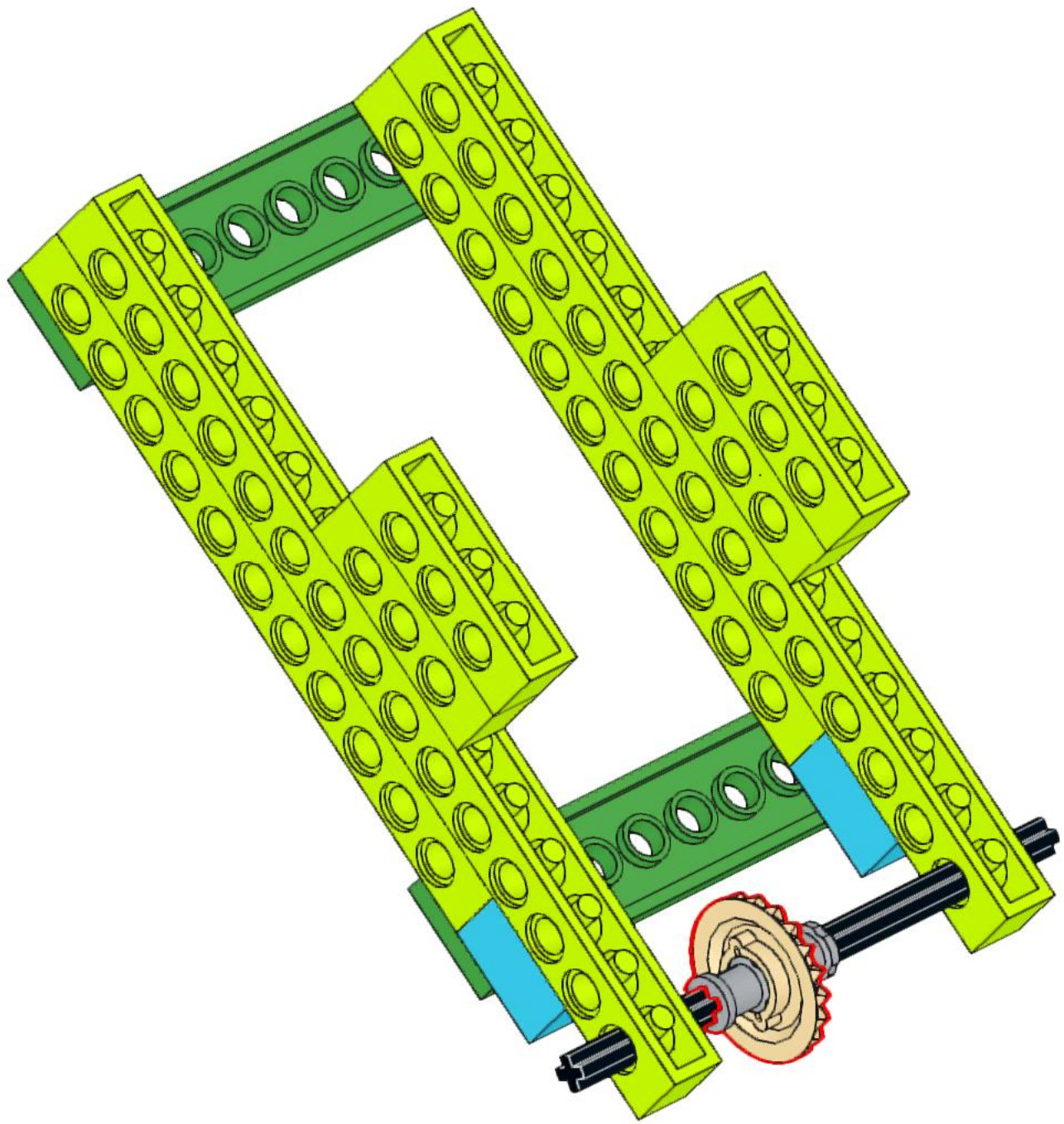
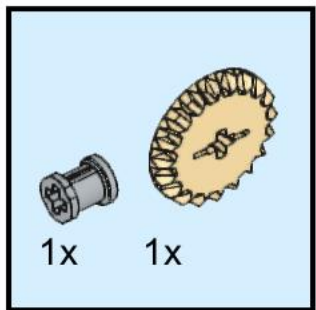
4



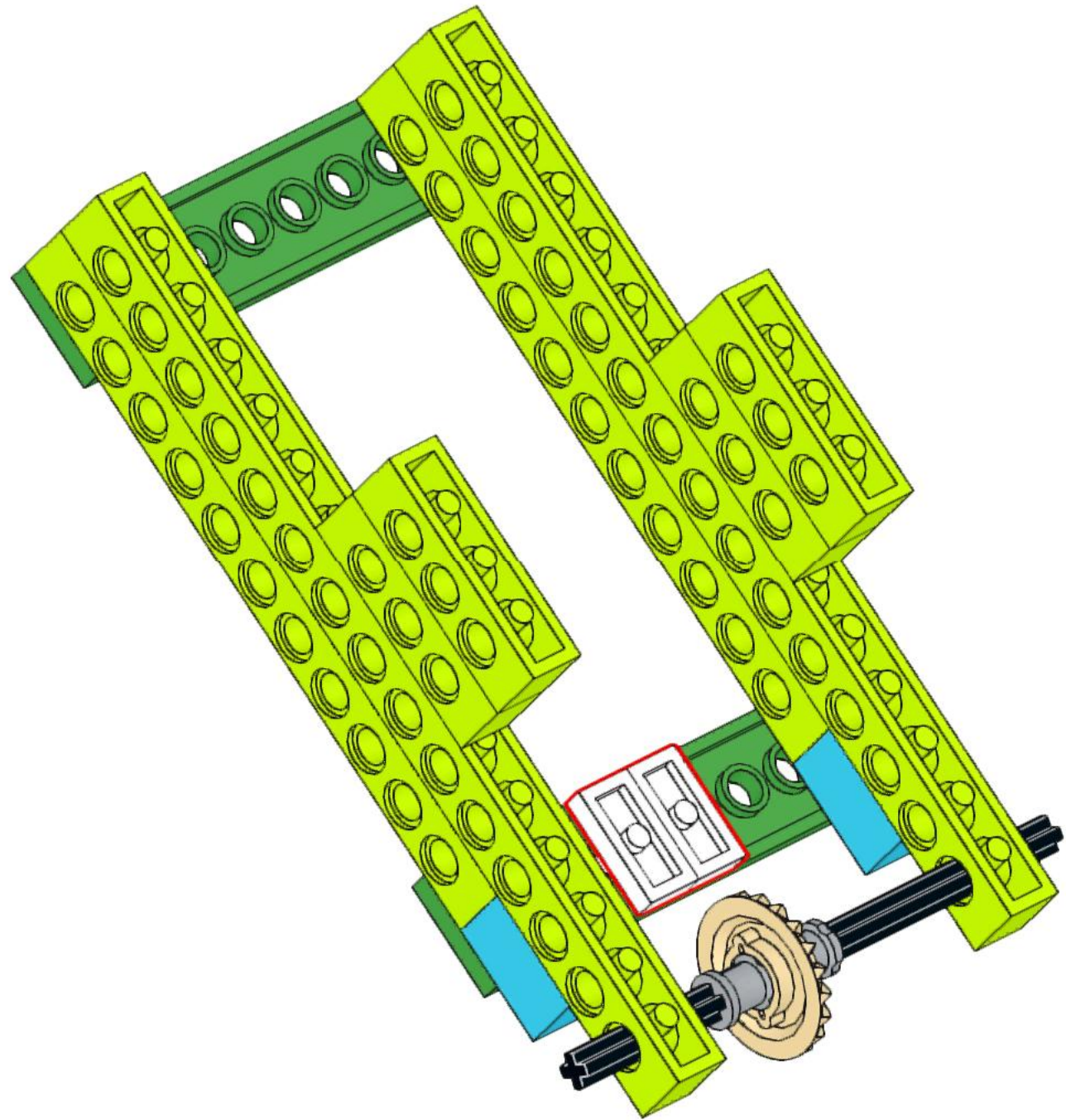
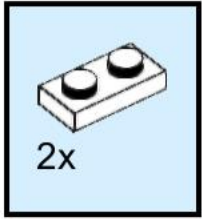
5



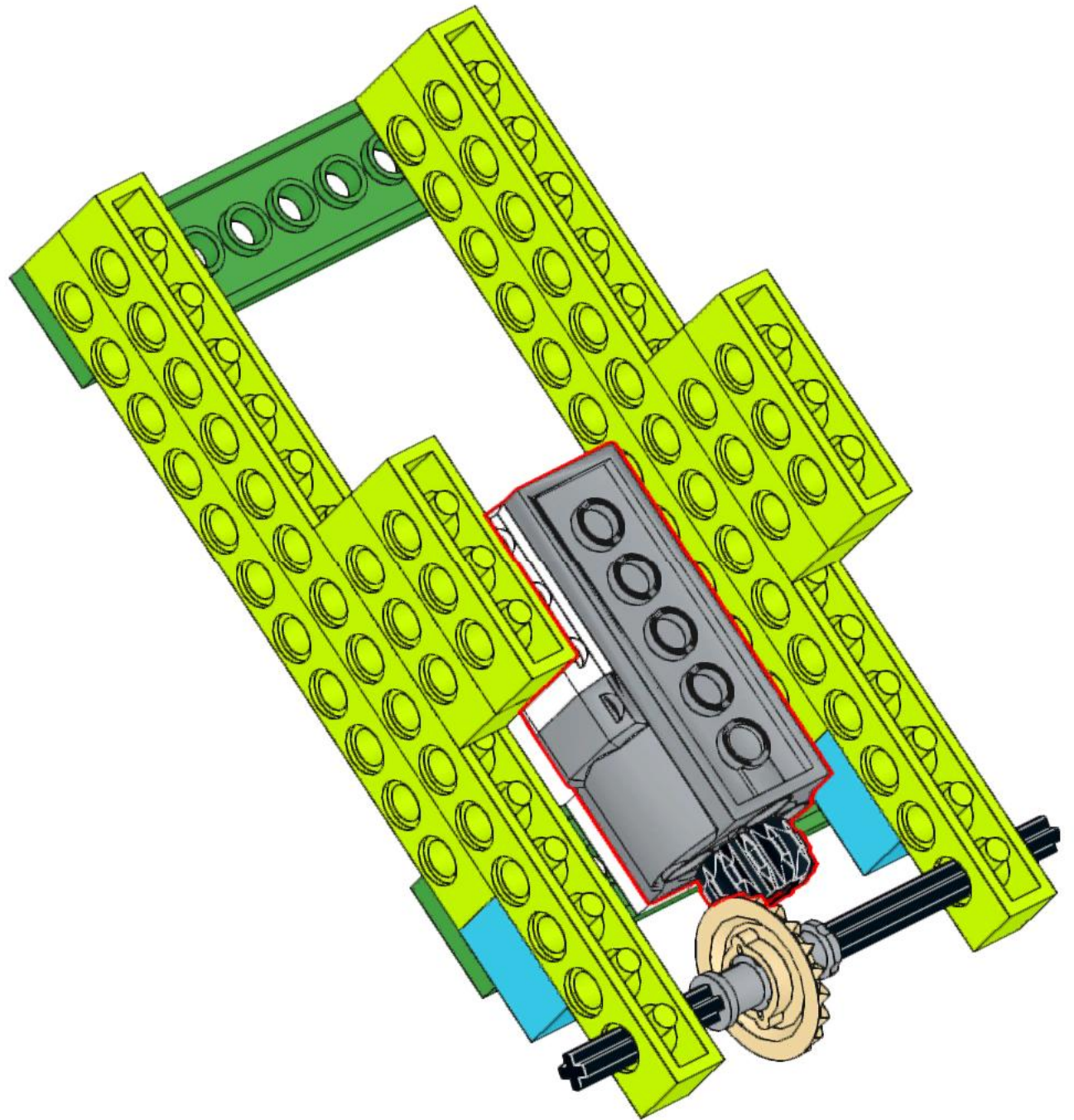
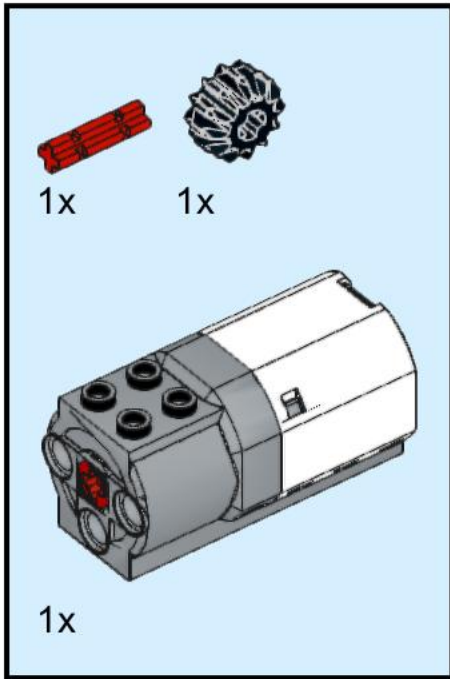
6



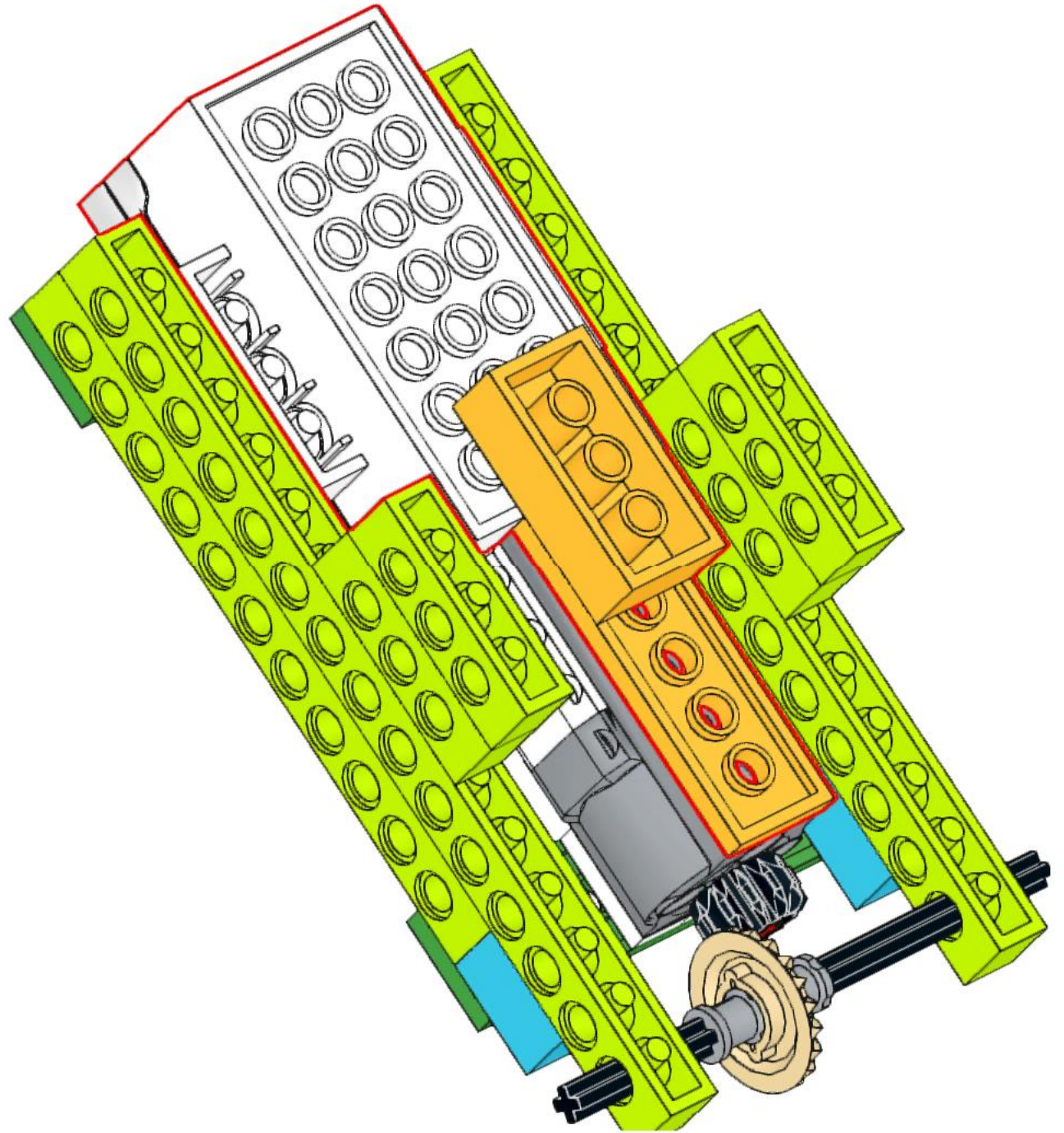
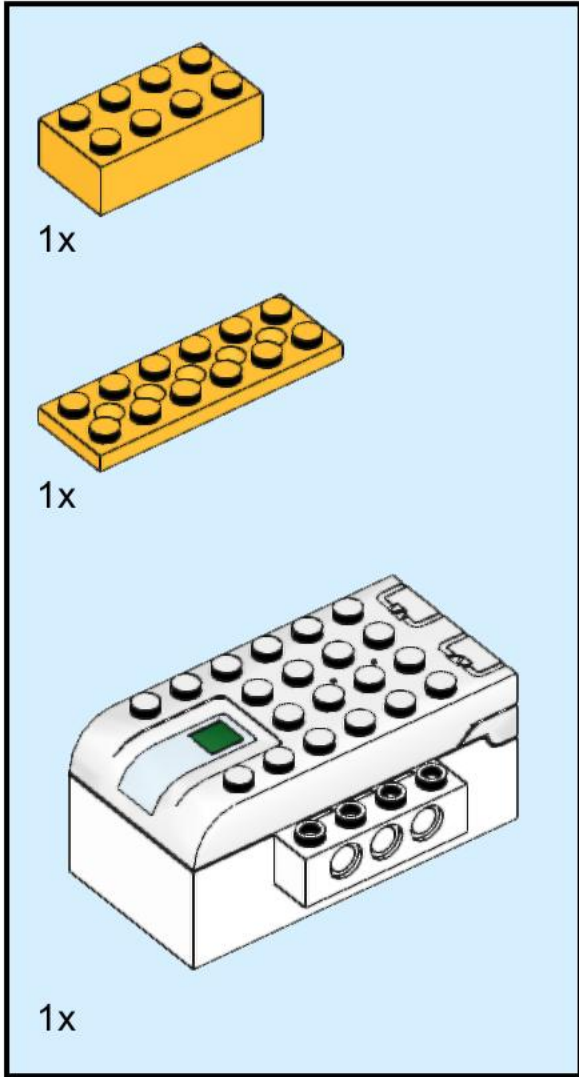
7



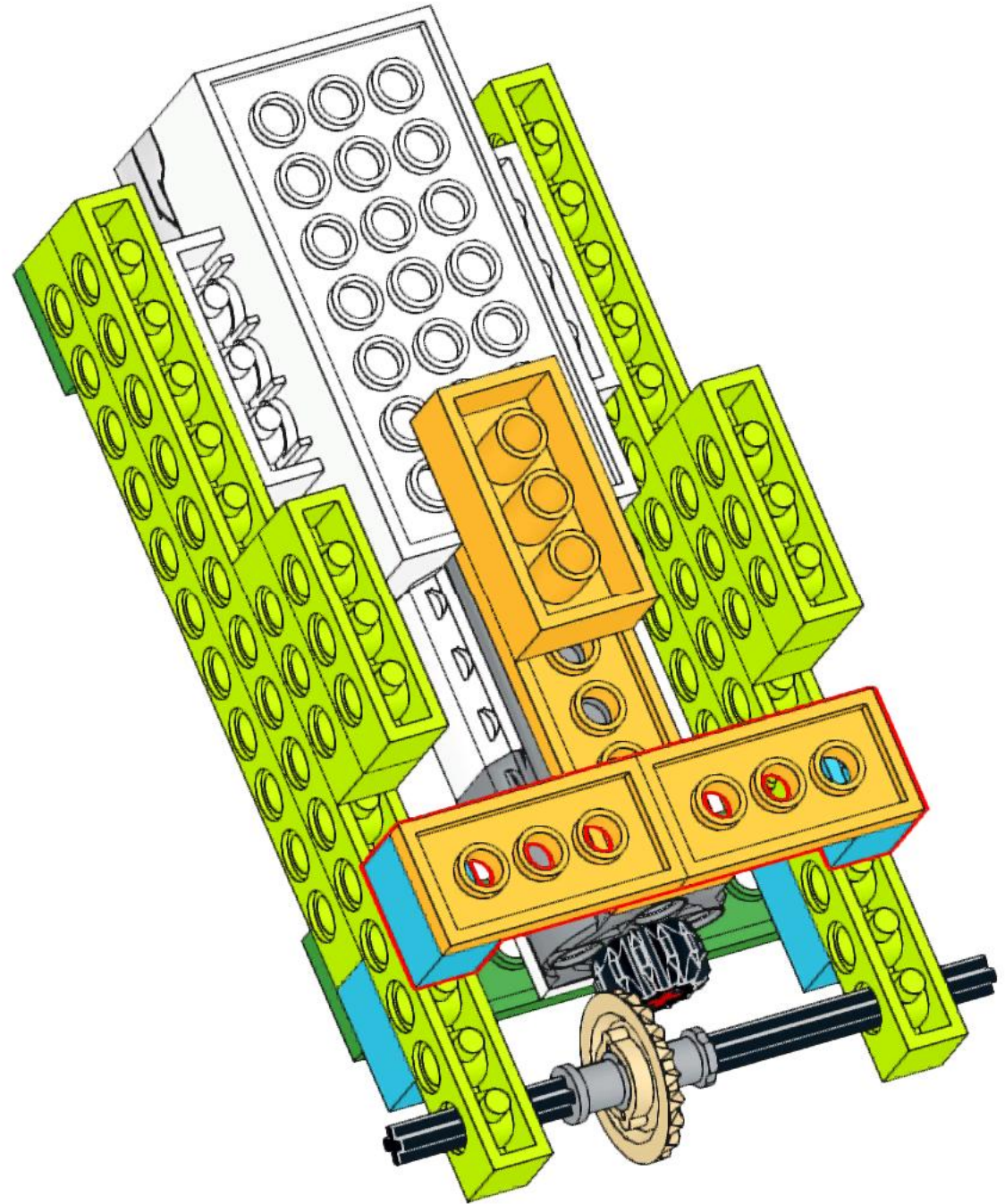
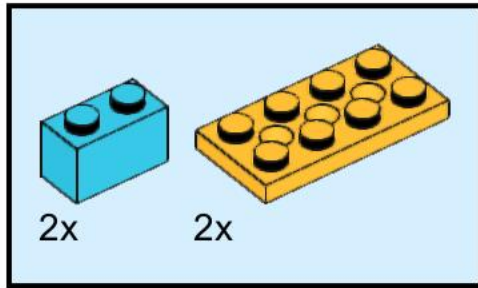
8



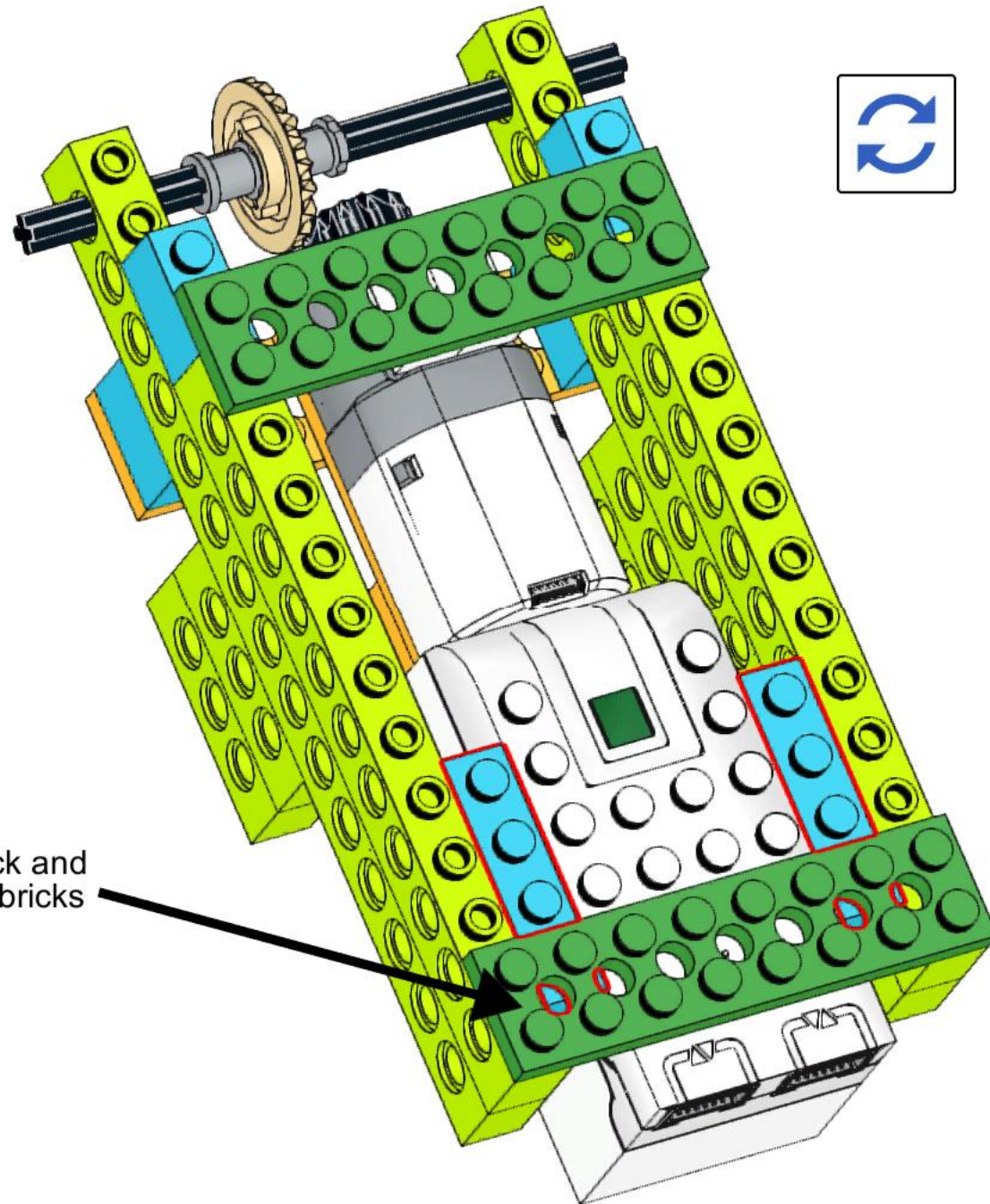
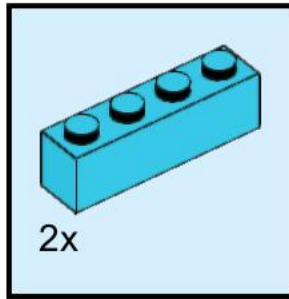
9



10

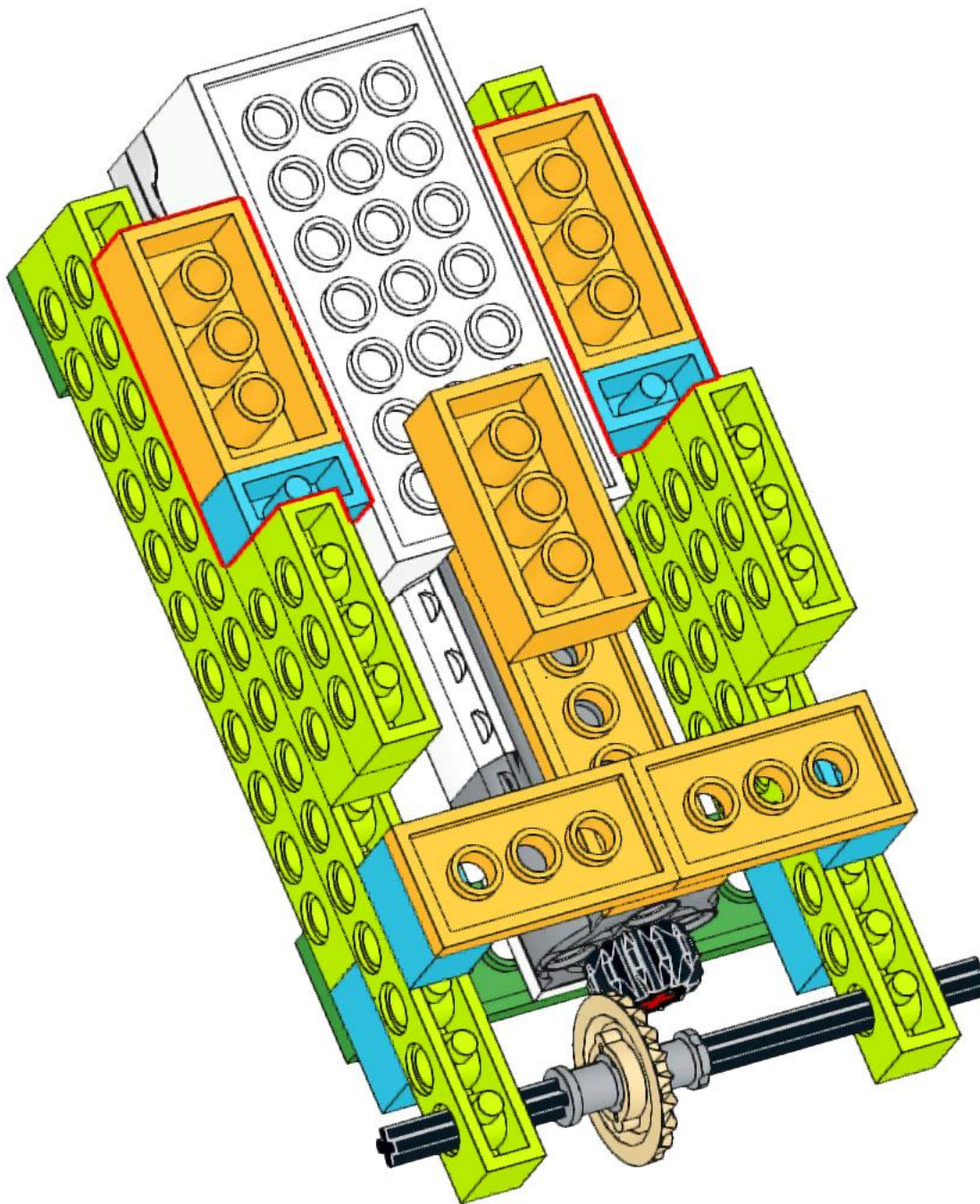
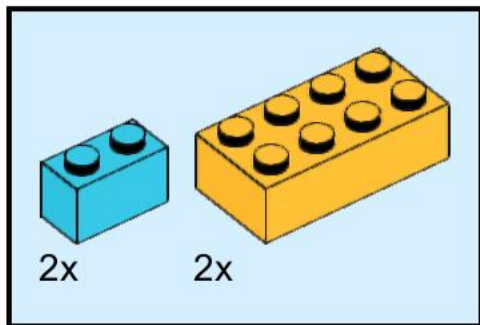


11

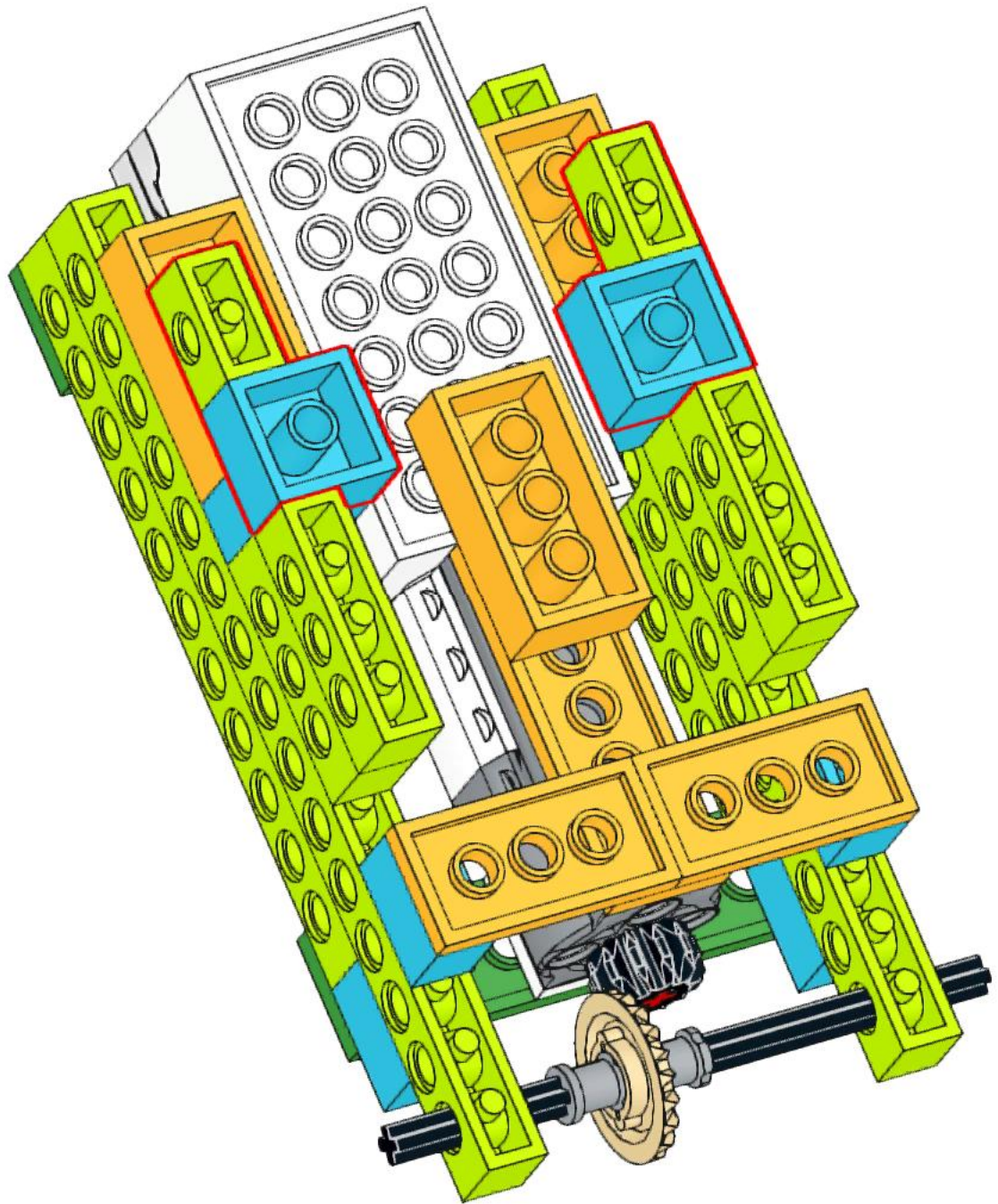
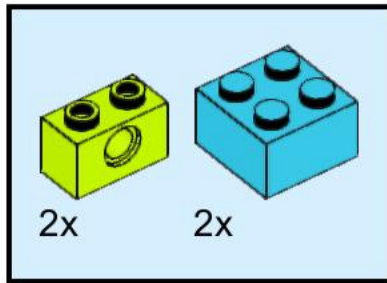


Remove the green brick and place it after the blue bricks

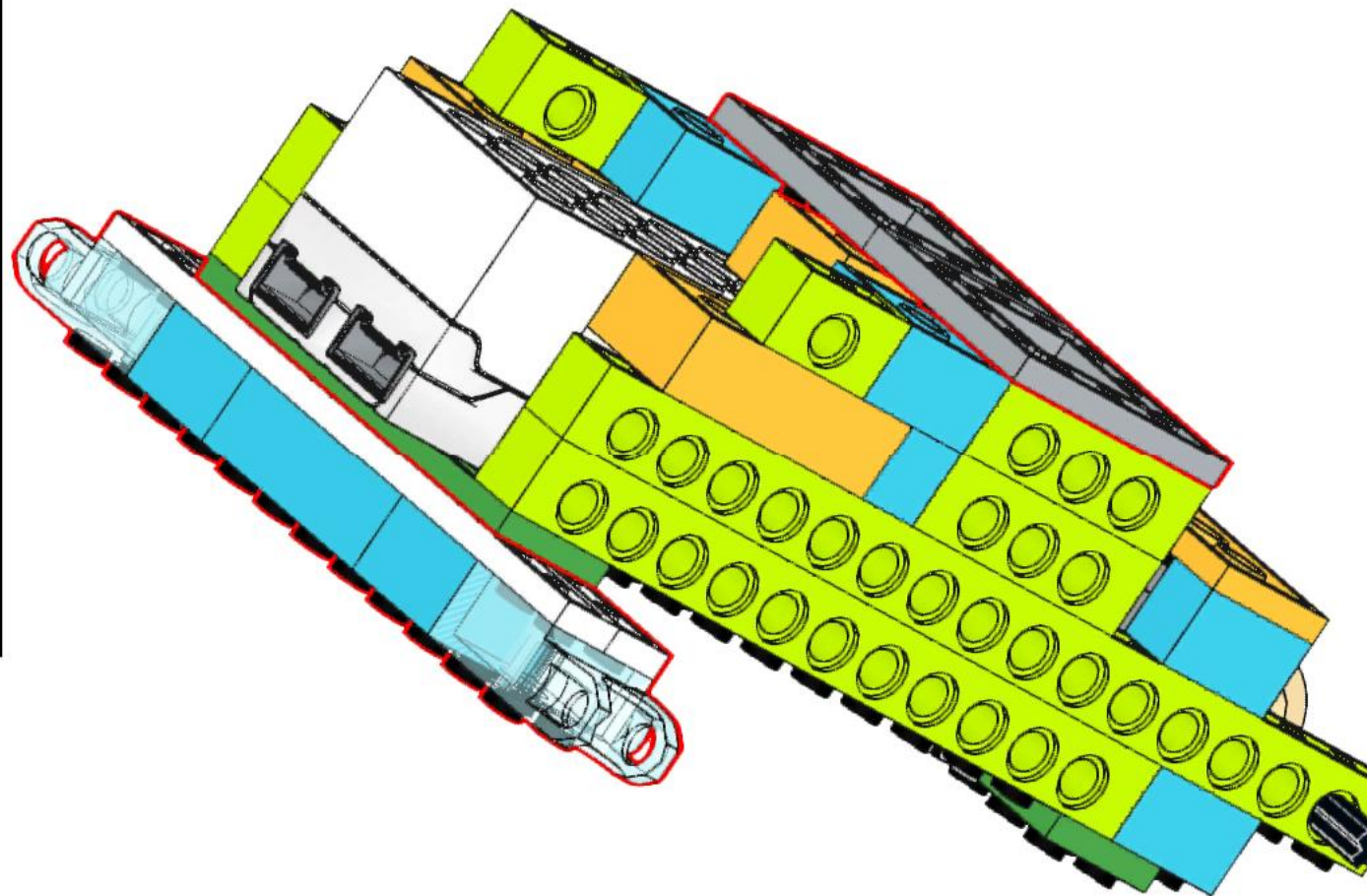
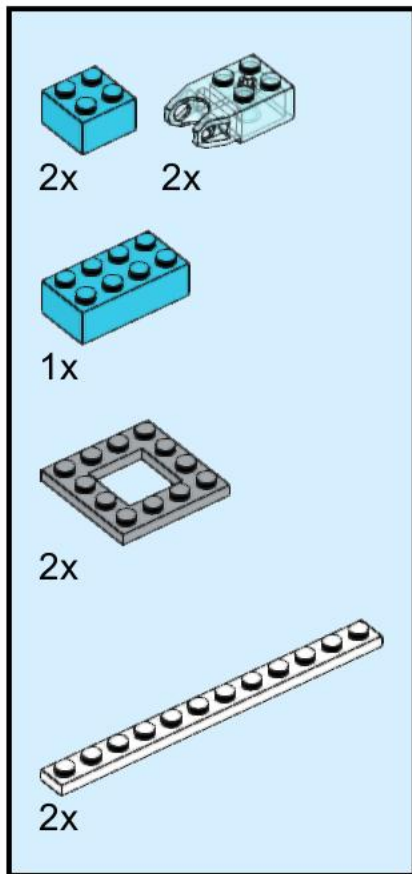
12



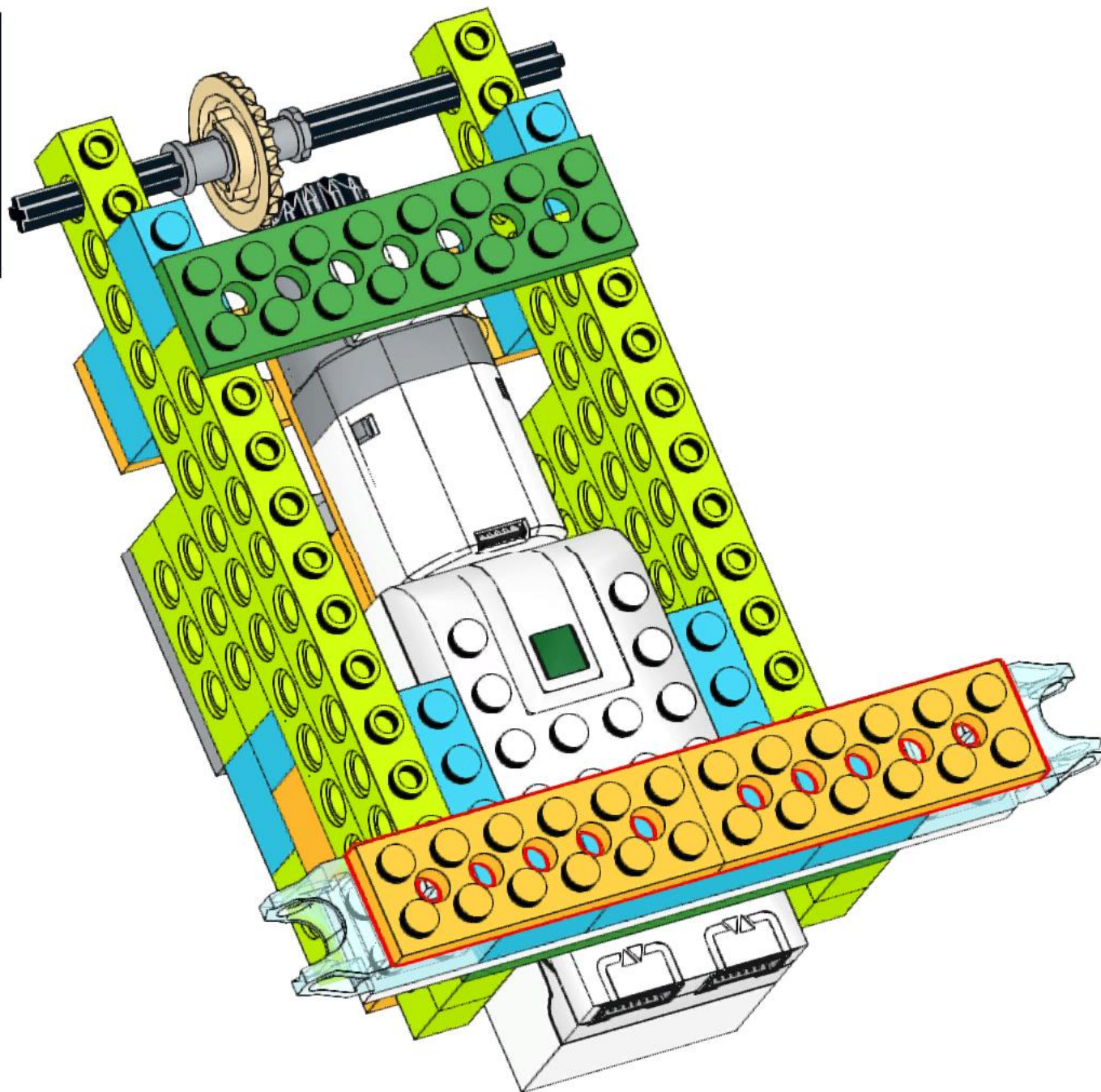
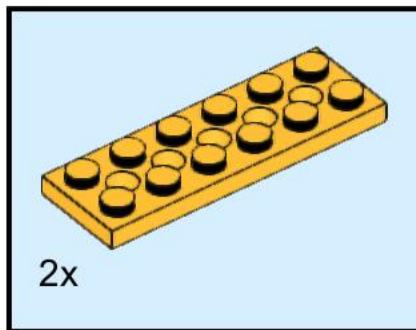
13



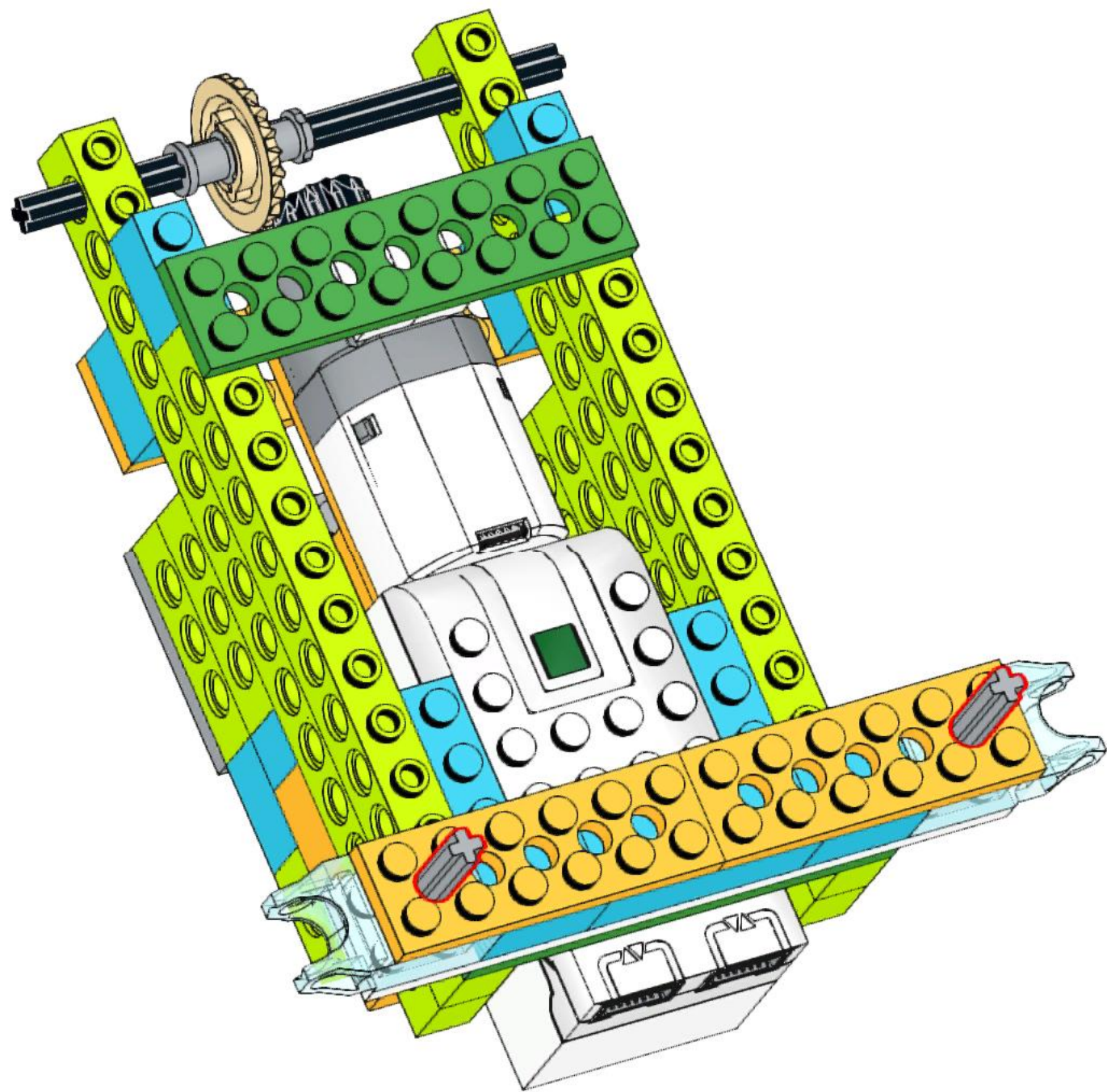
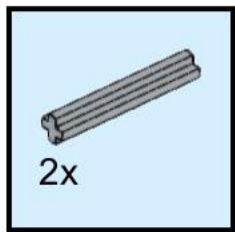
14



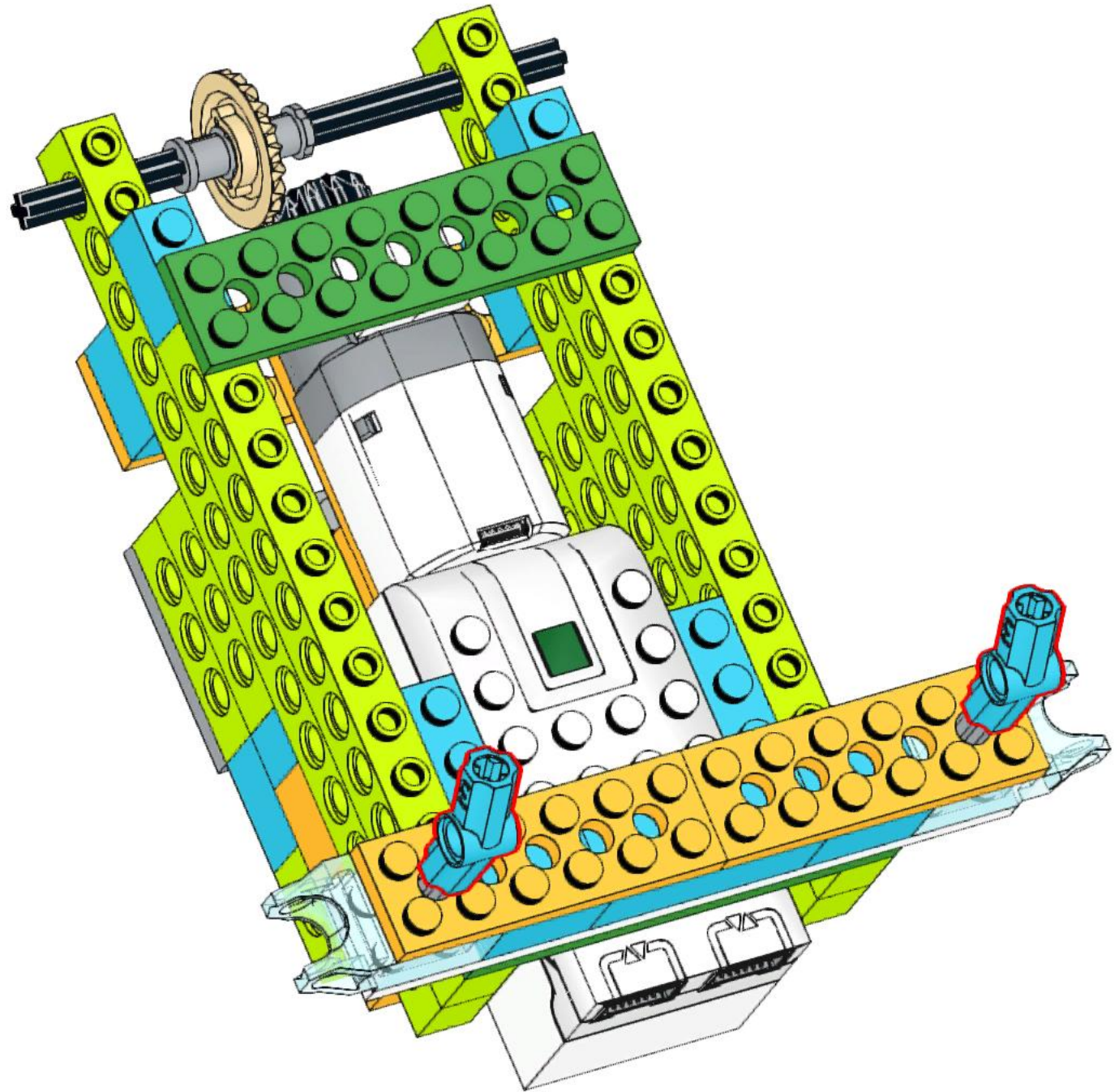
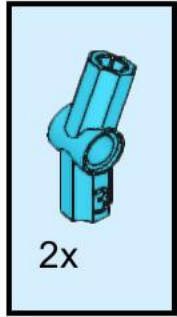
15



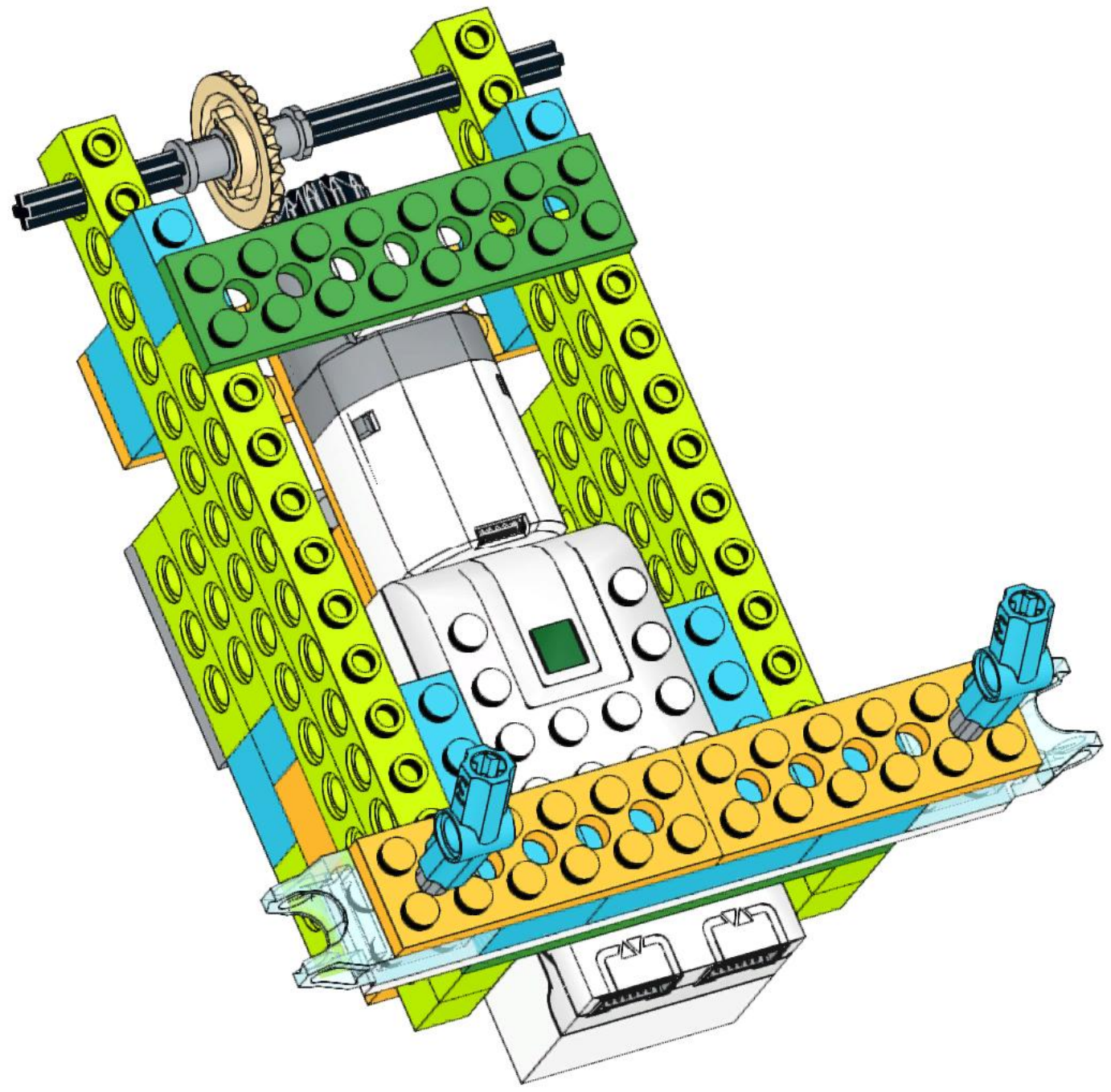
16



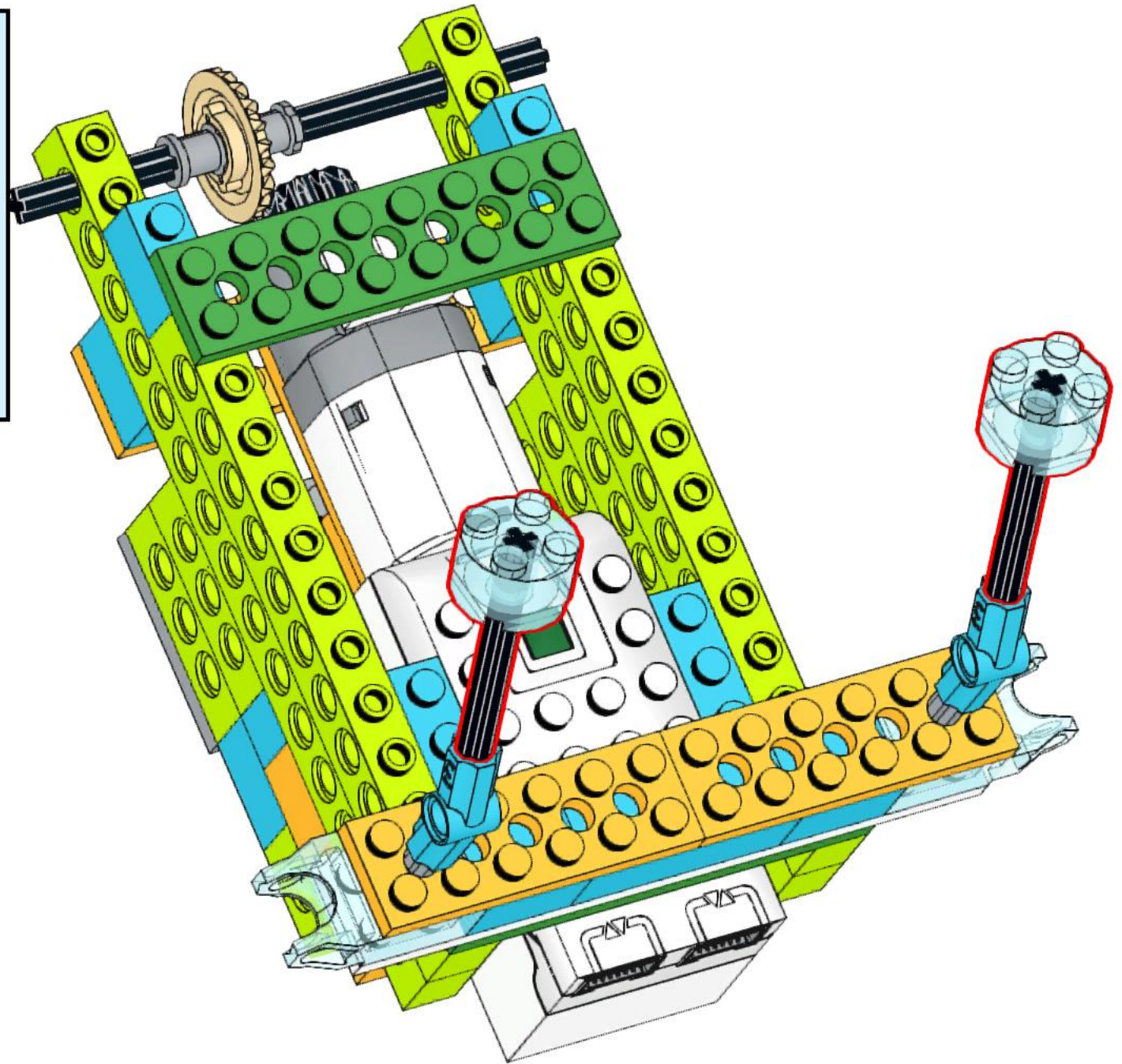
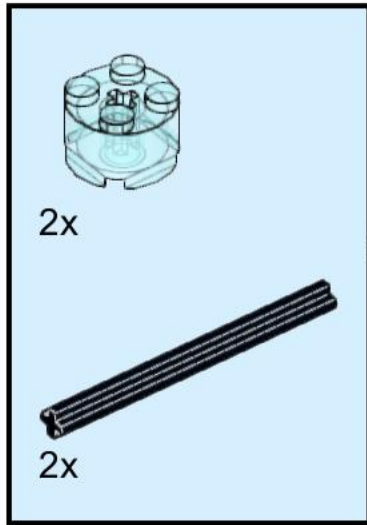
17



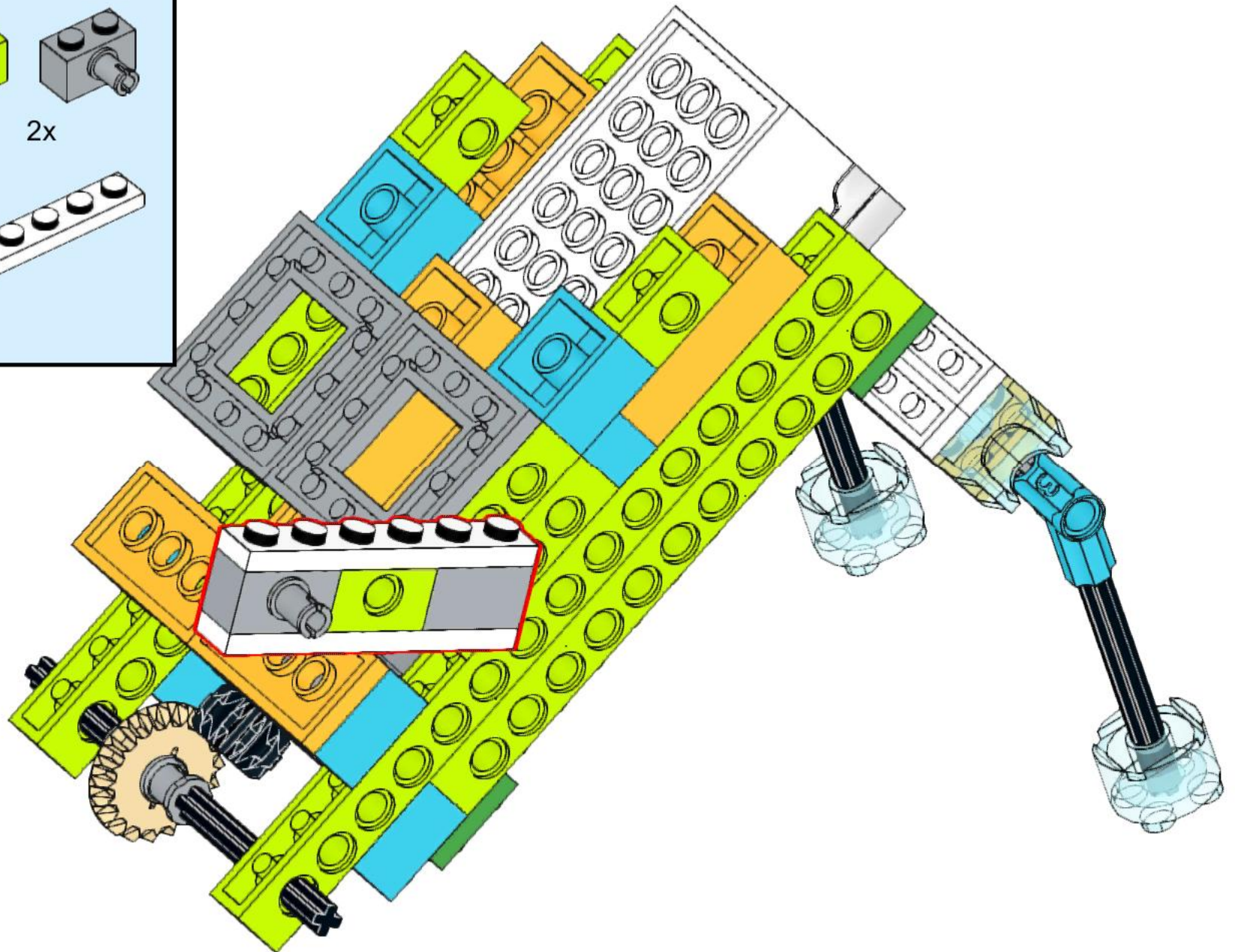
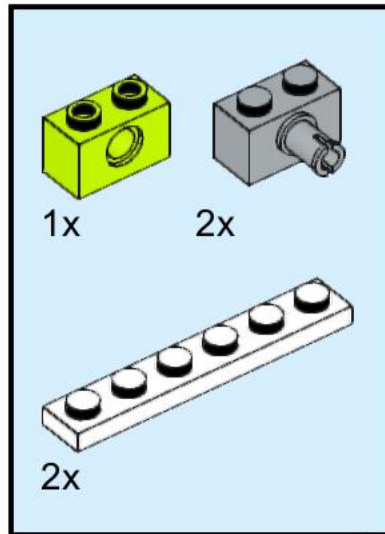
18



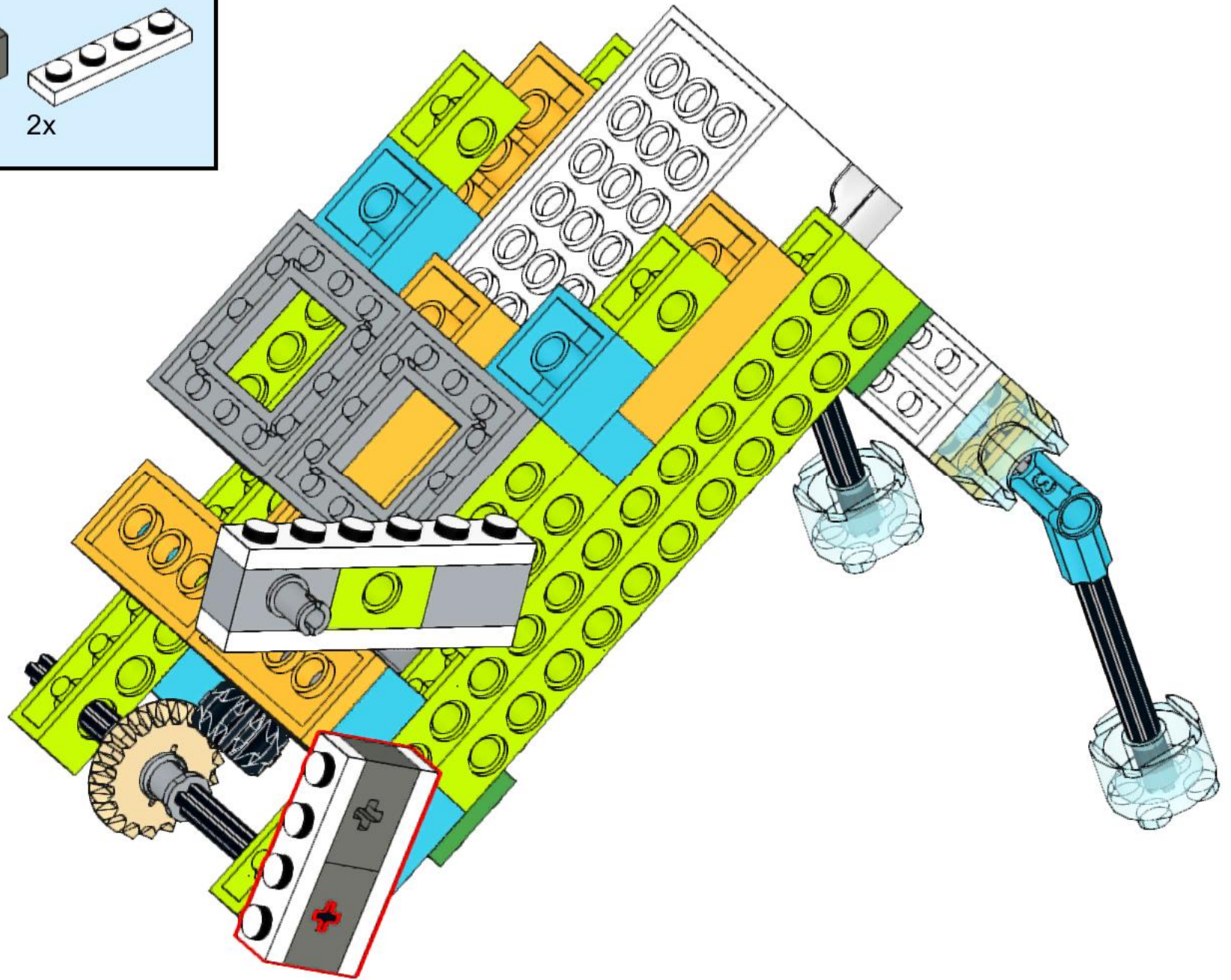
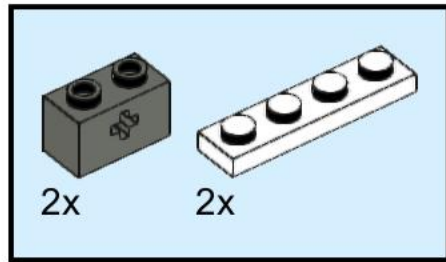
19



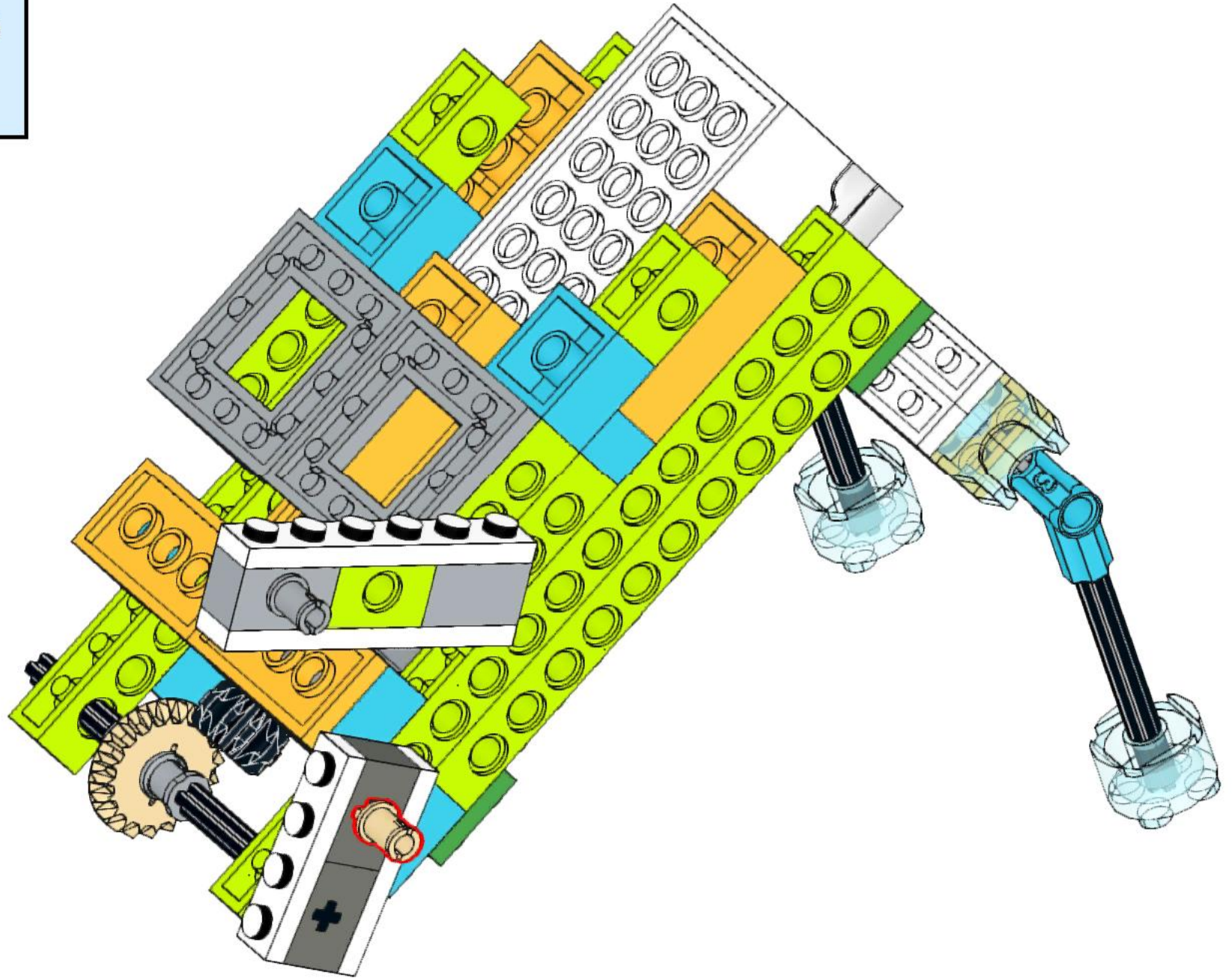
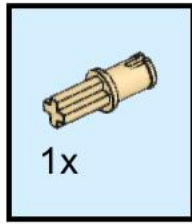
20



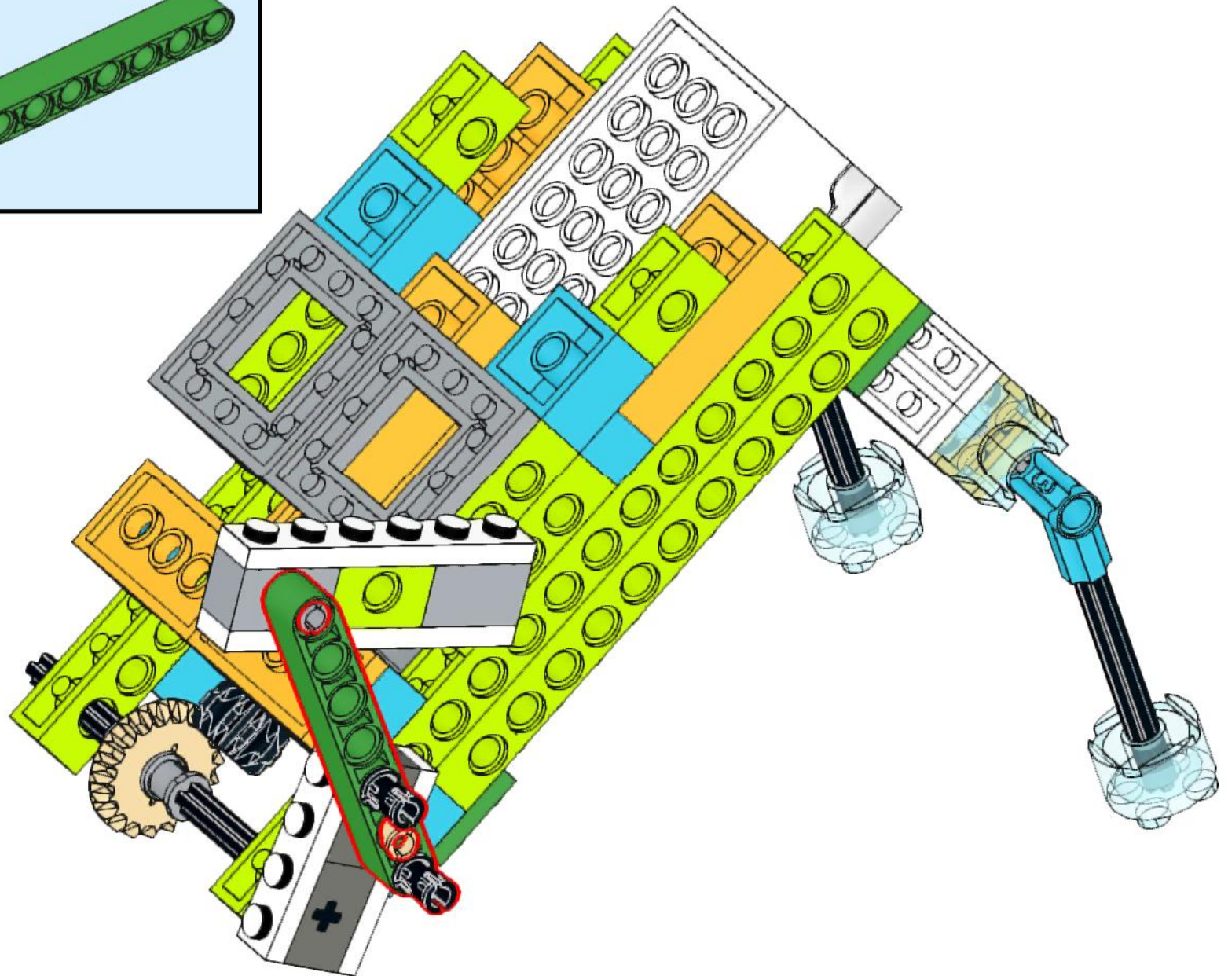
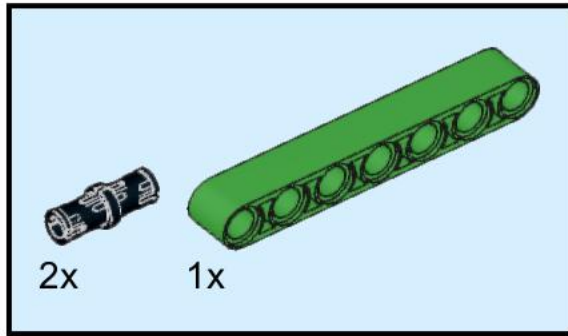
21



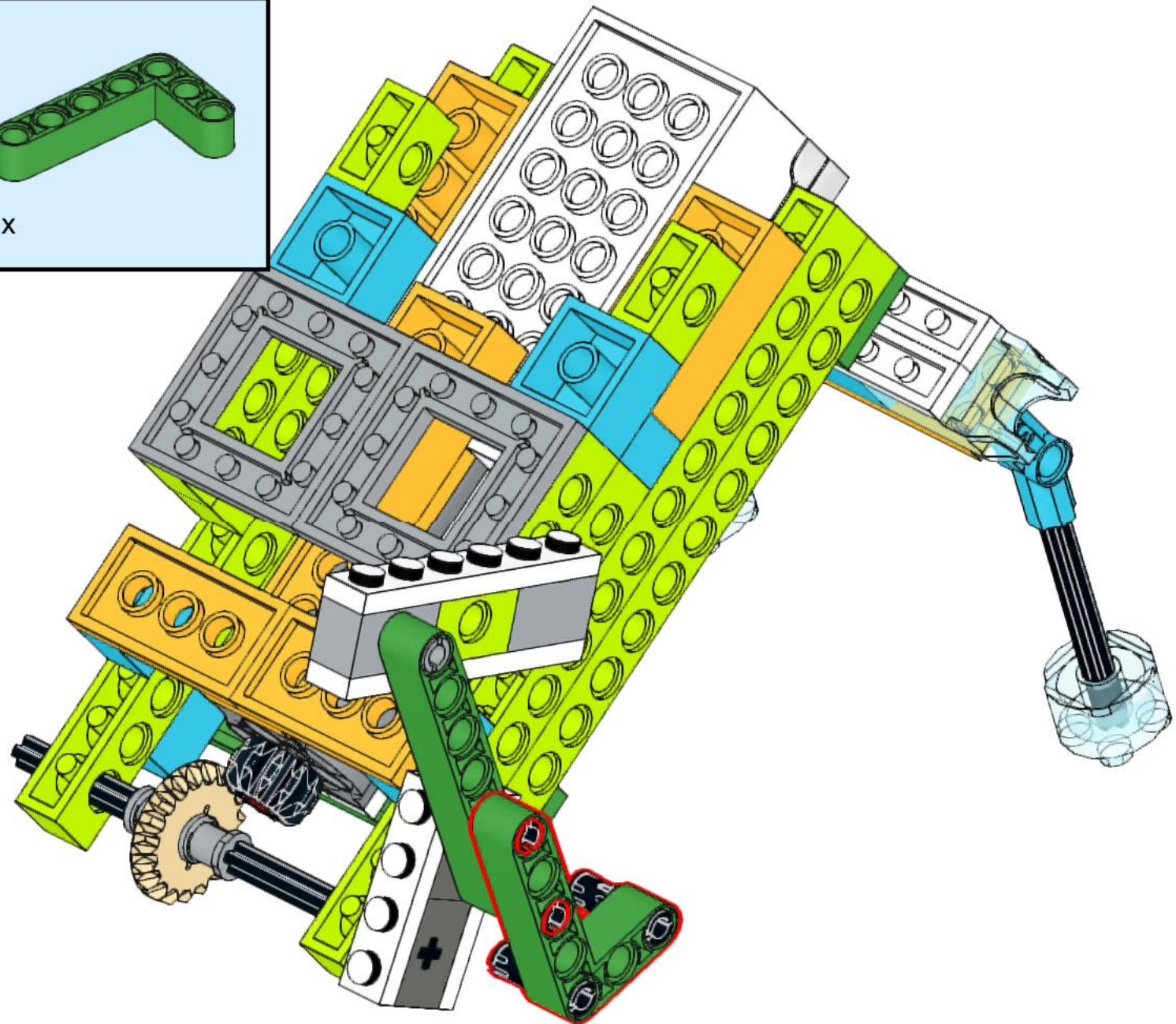
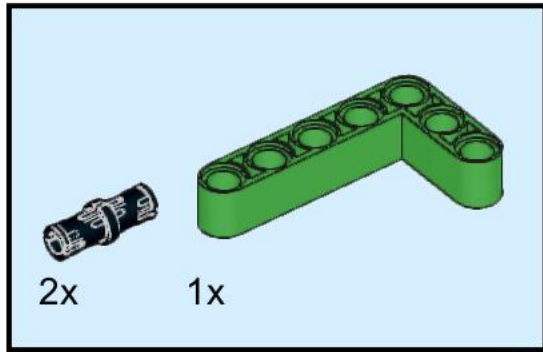
22



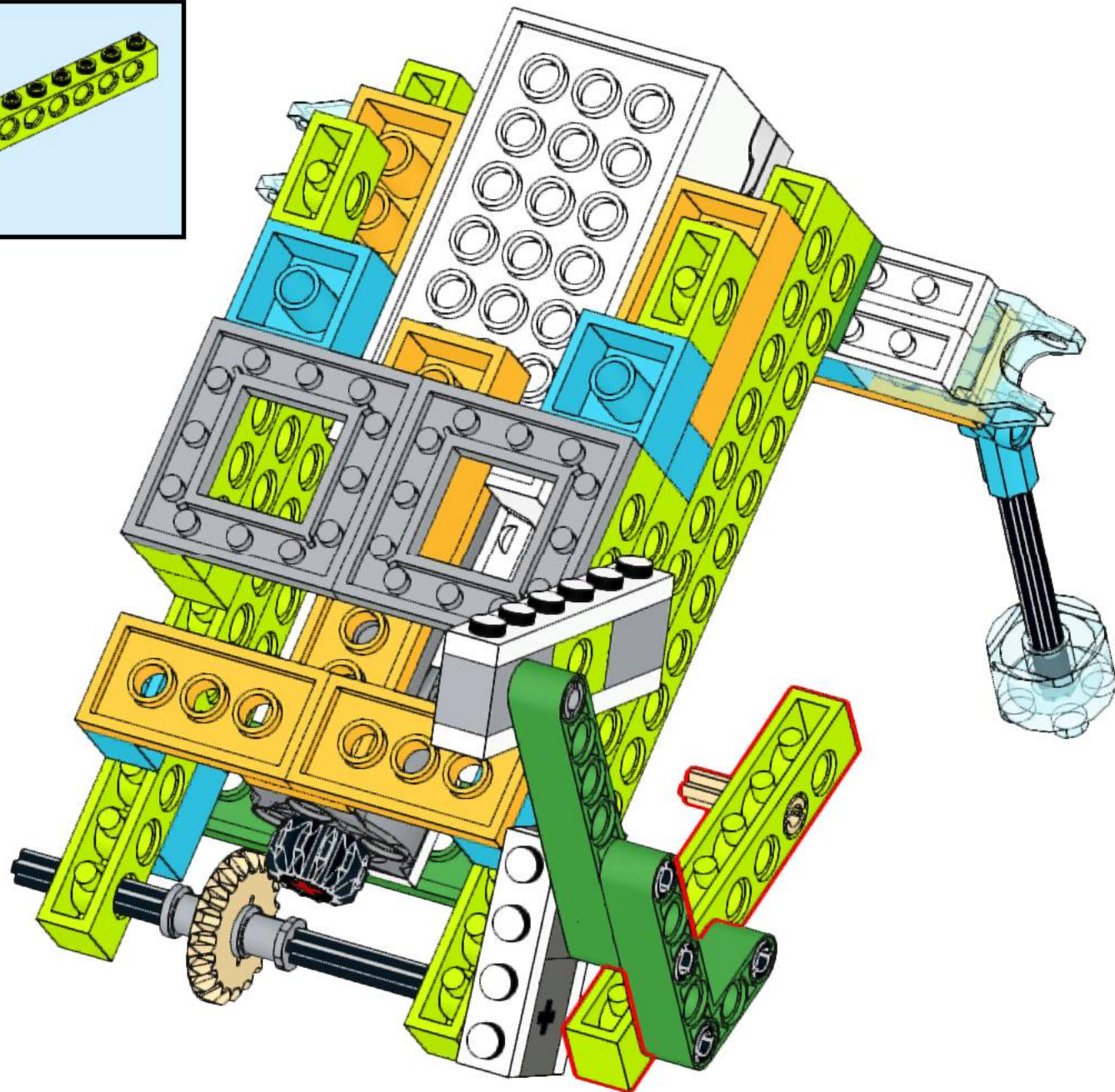
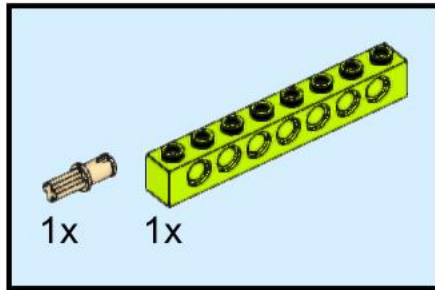
23



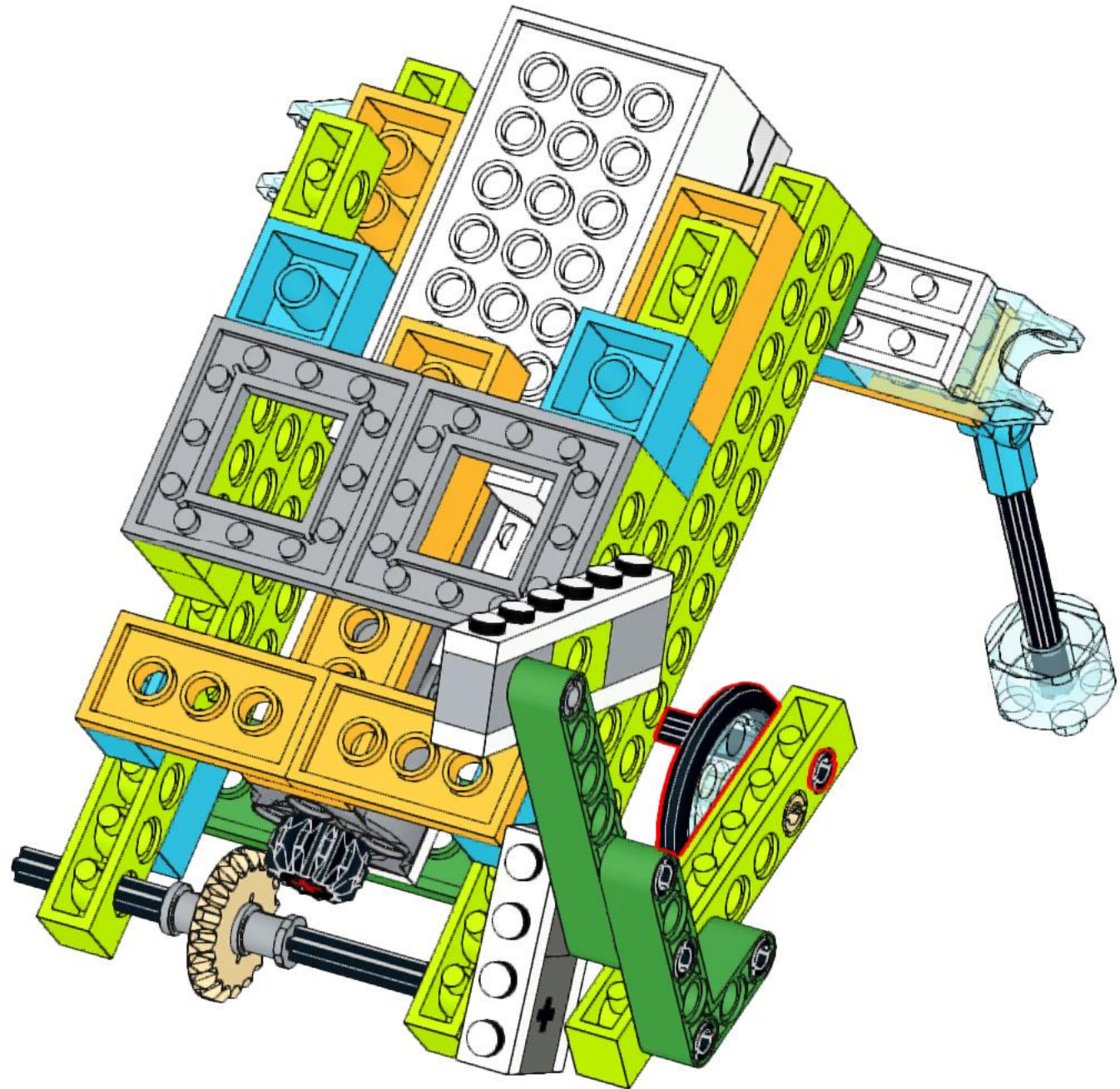
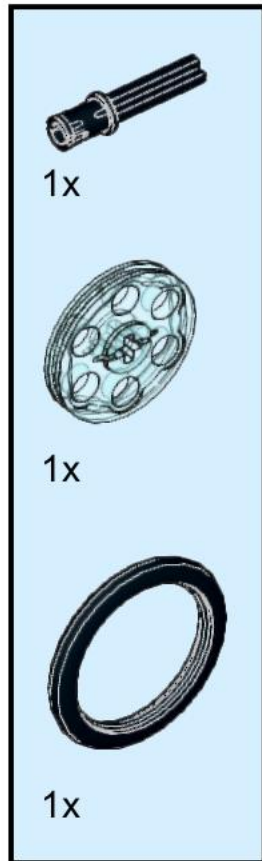
24



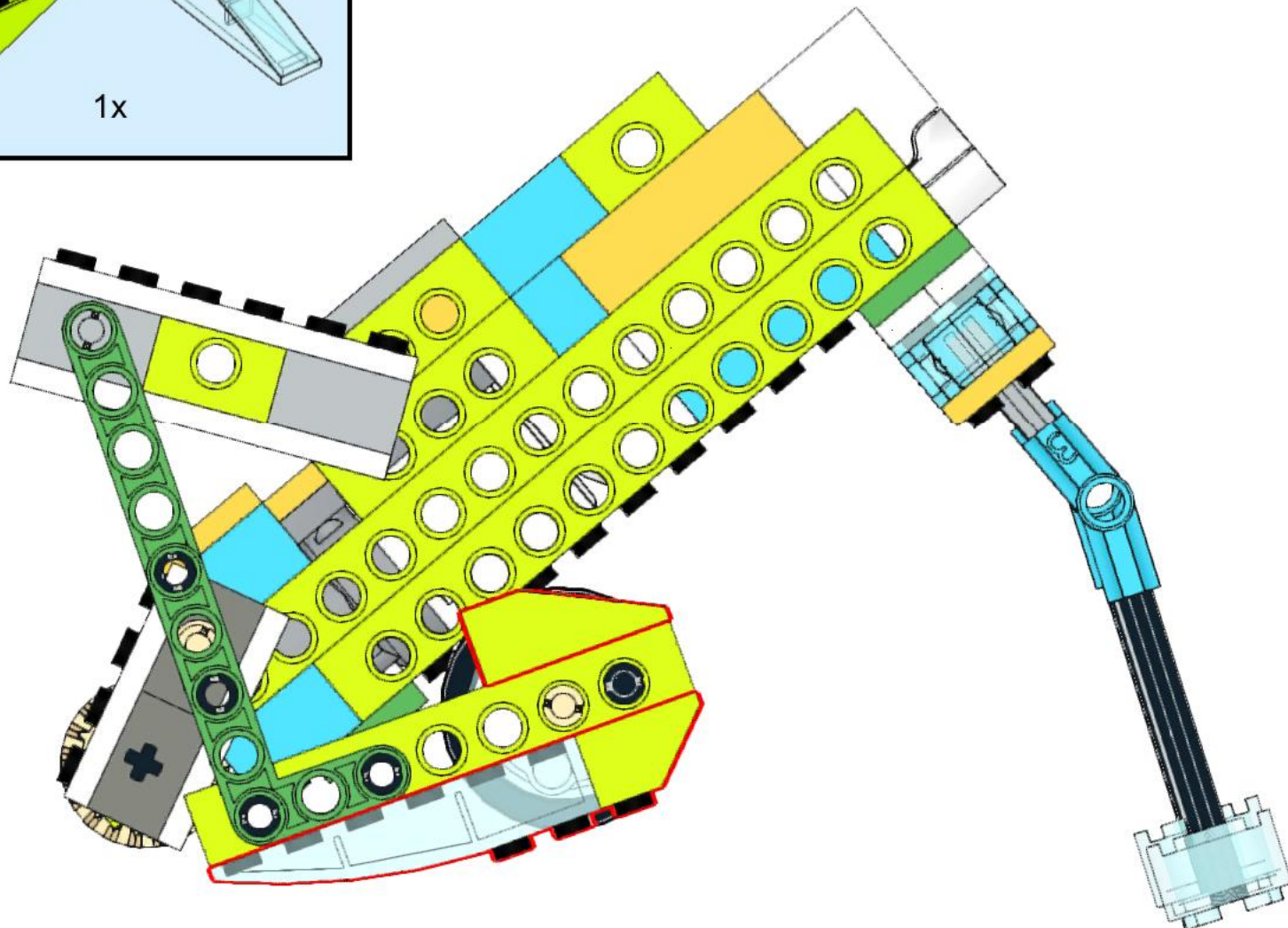
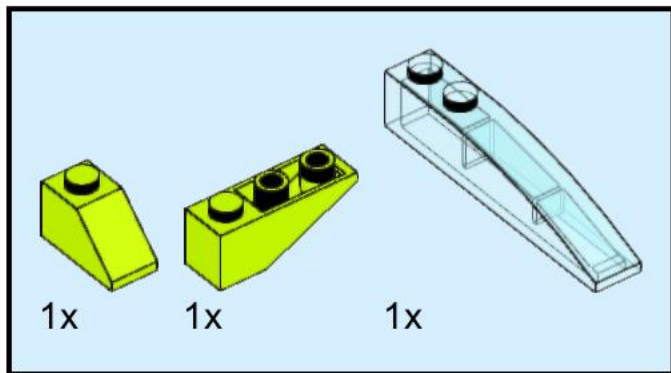
25



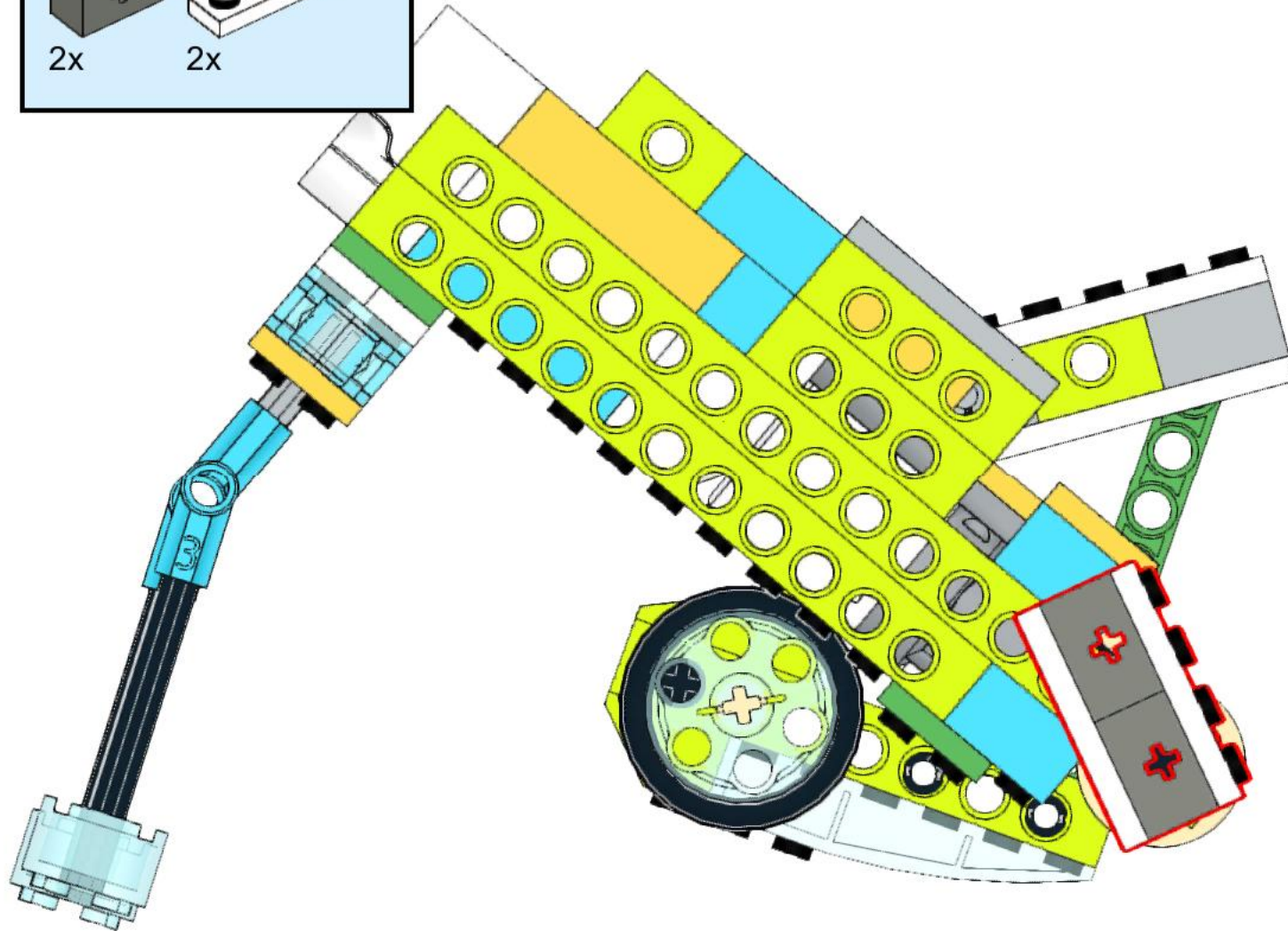
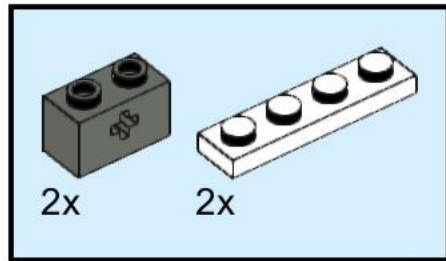
26



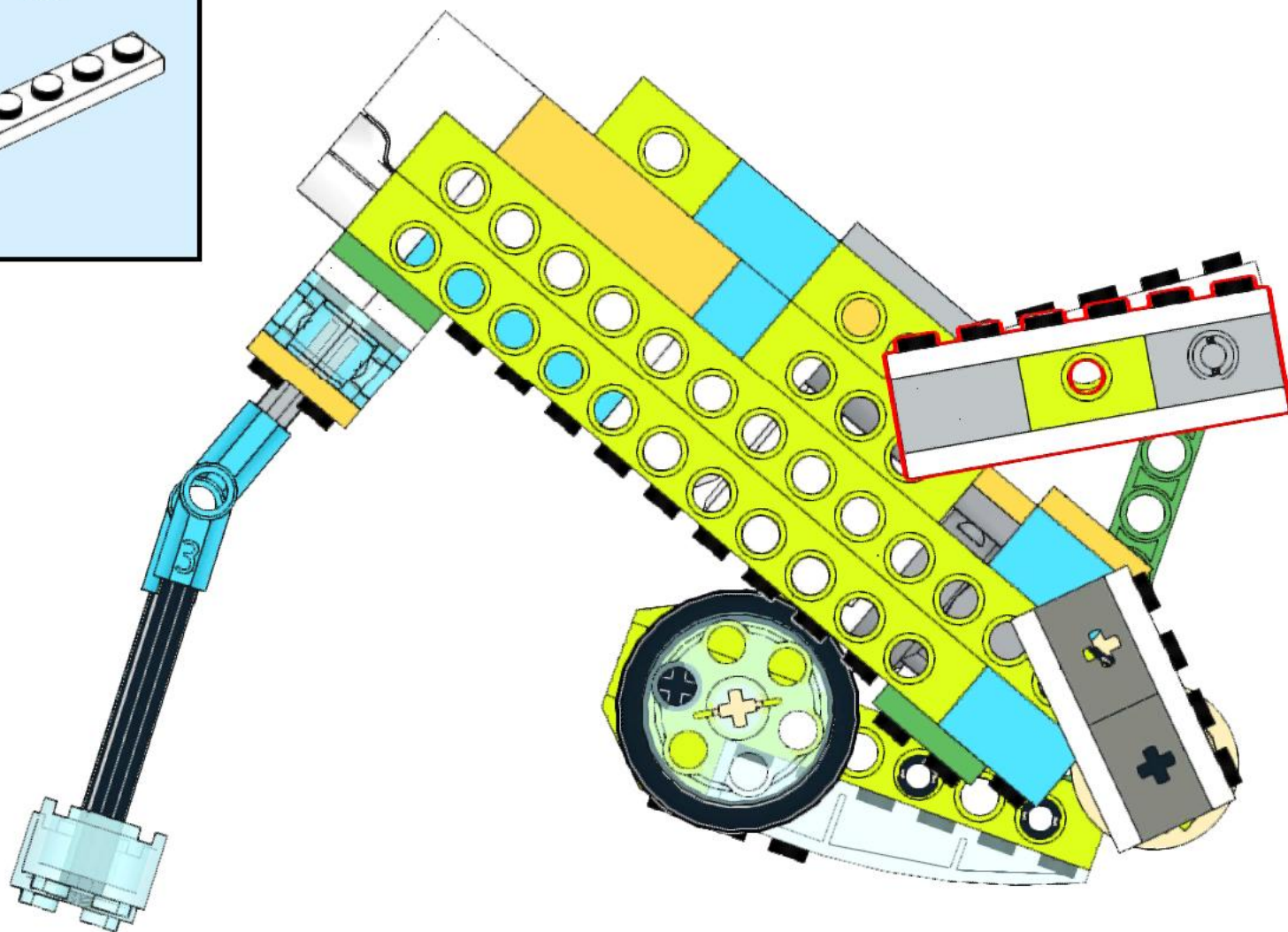
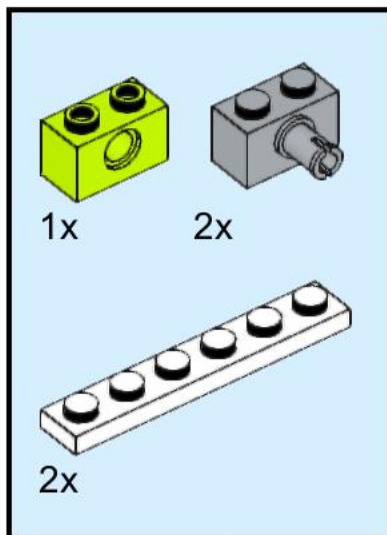
27



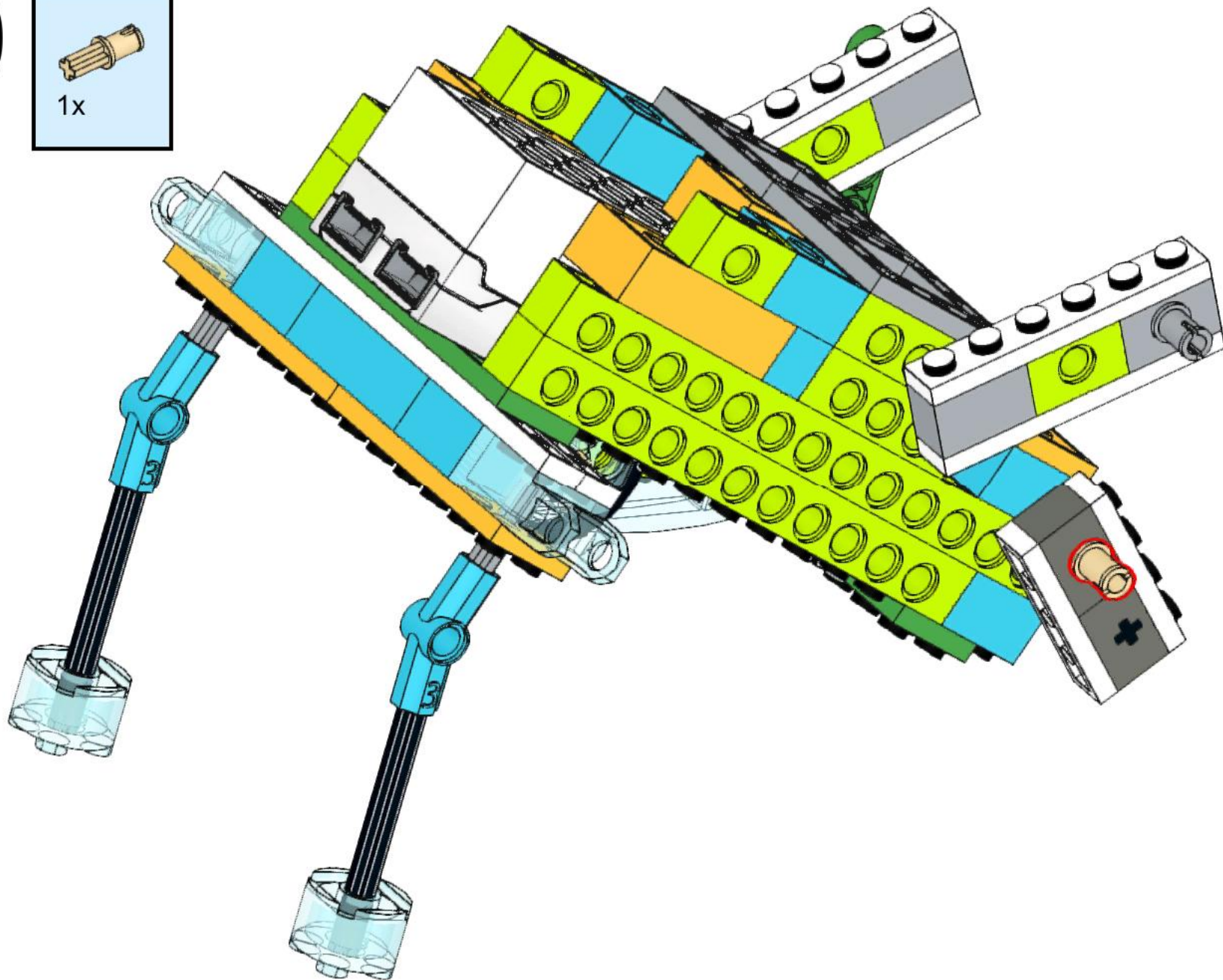
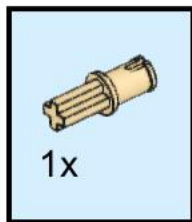
28



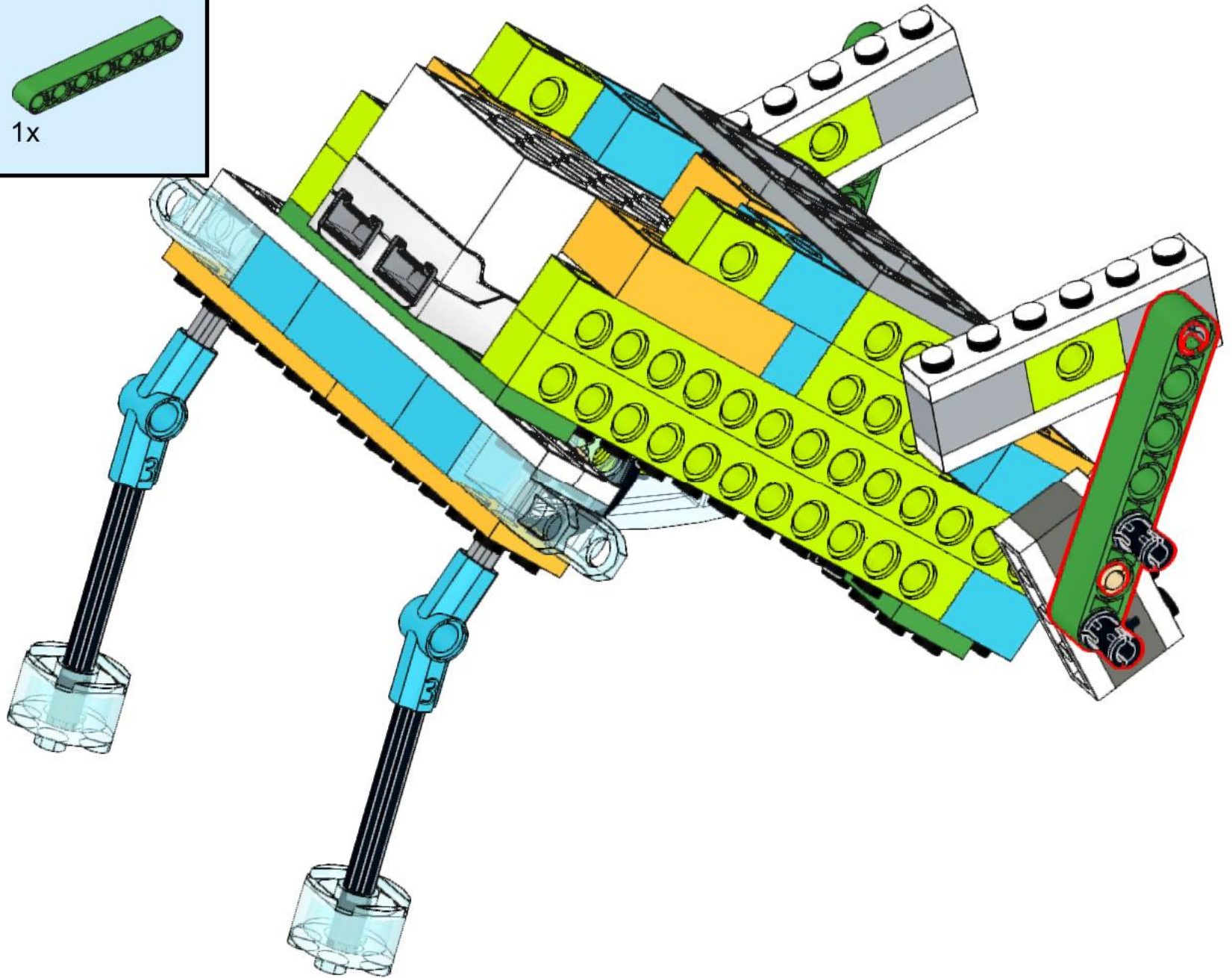
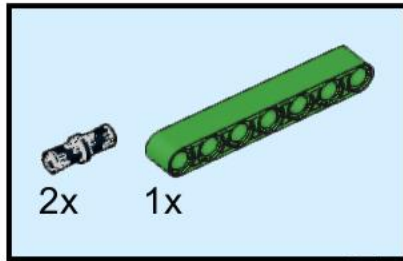
29



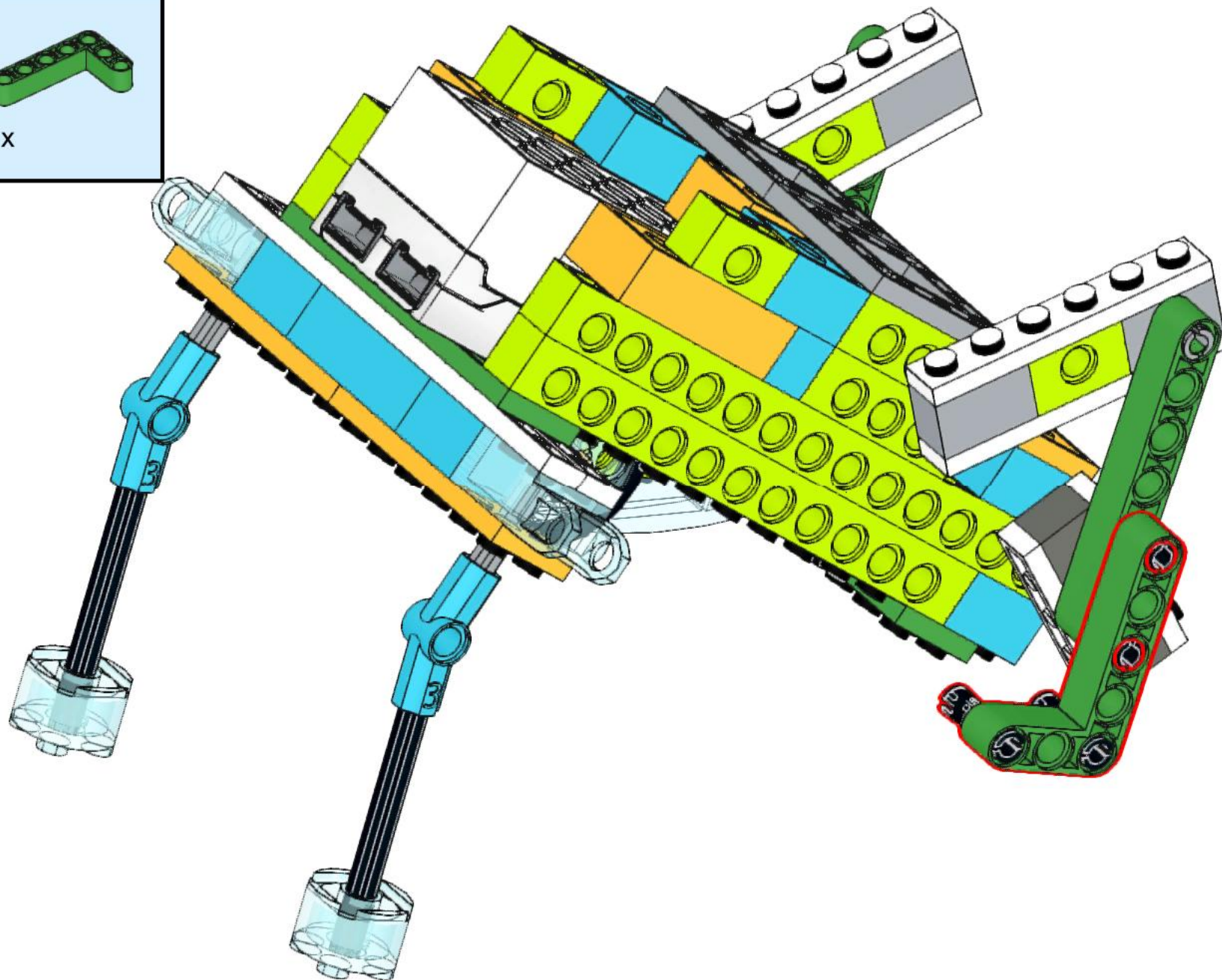
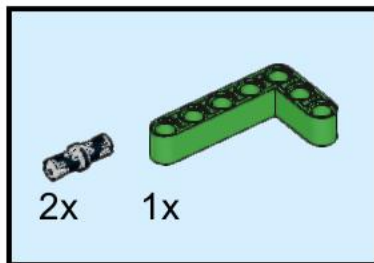
30



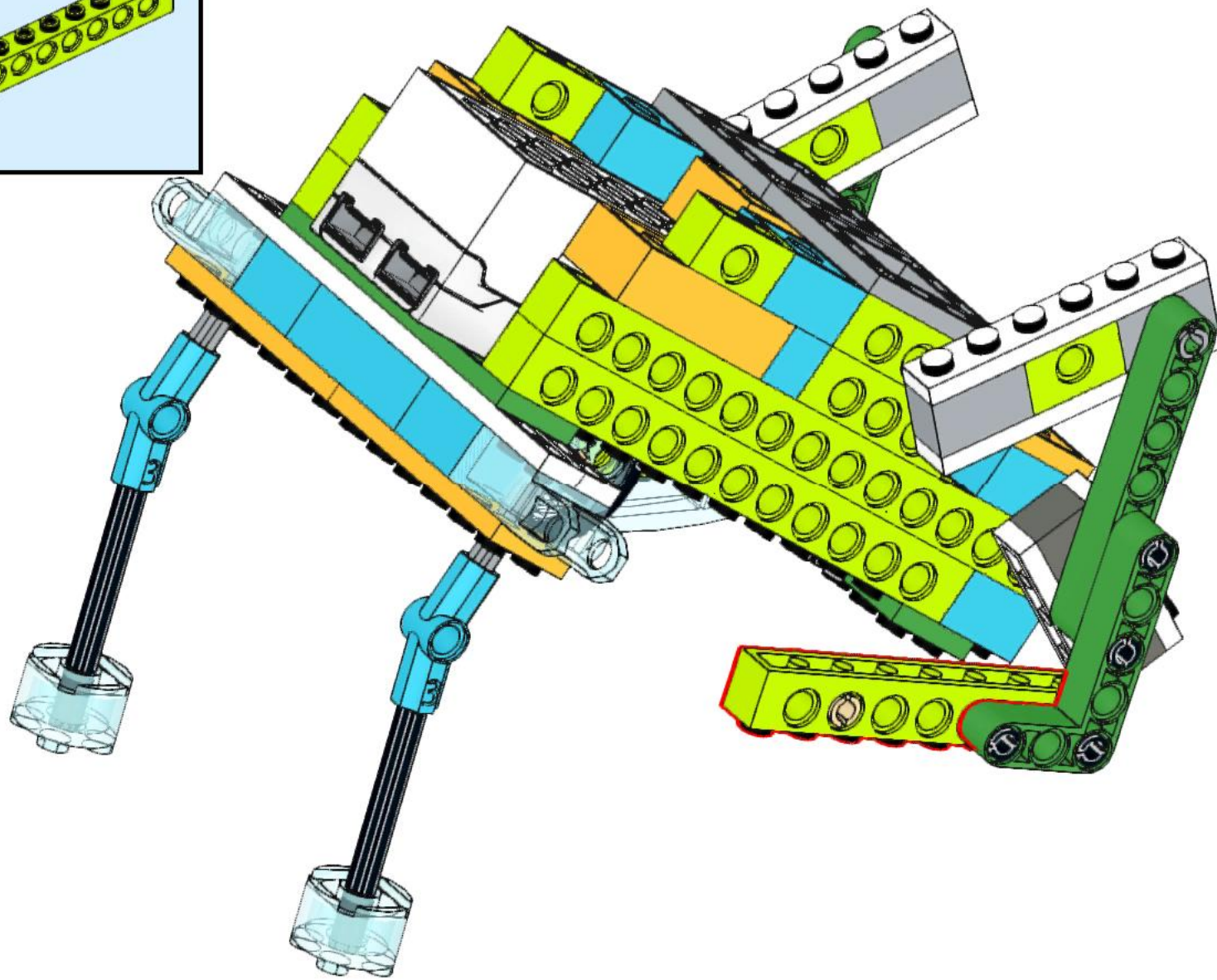
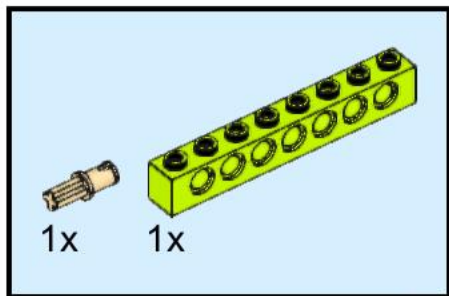
31



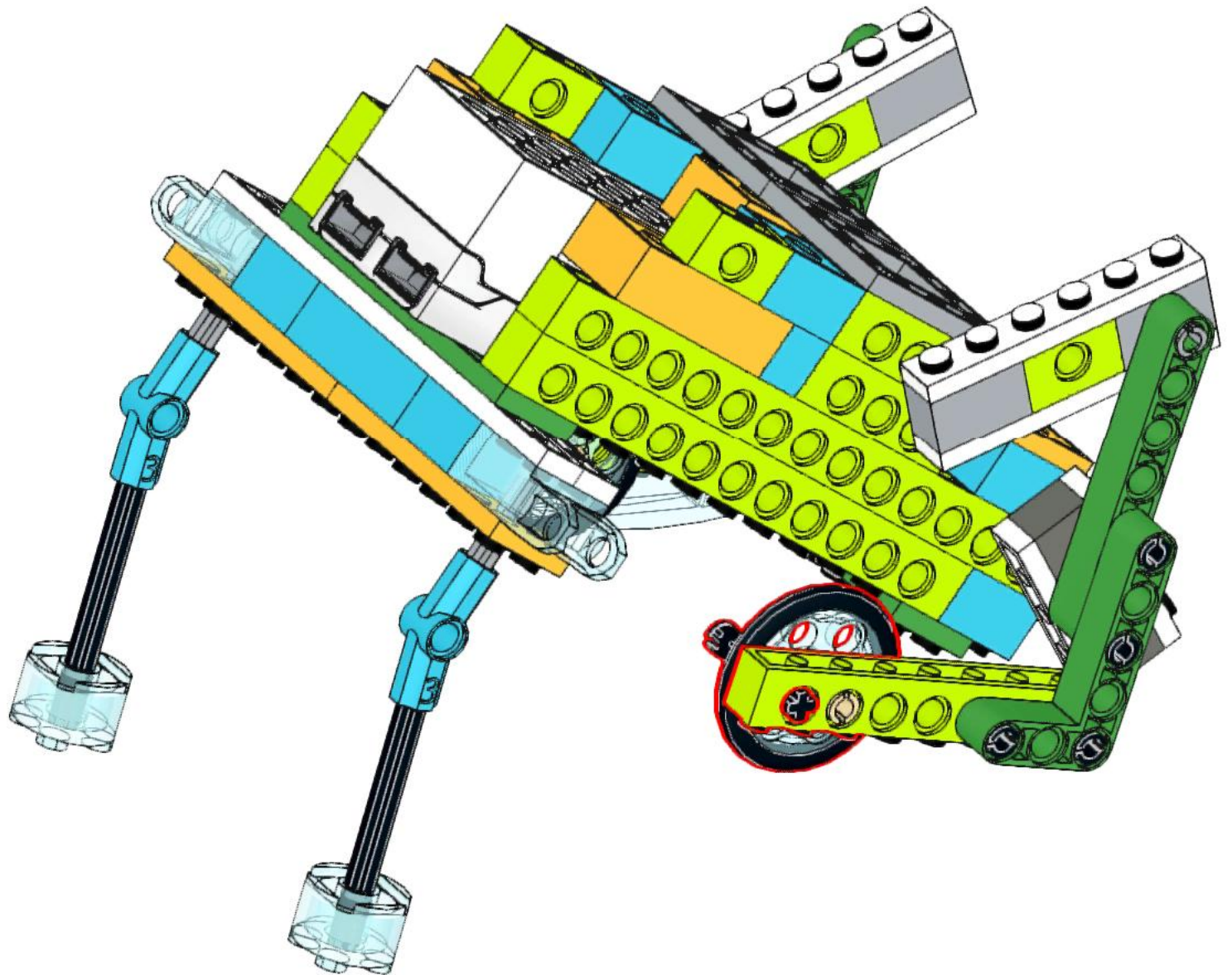
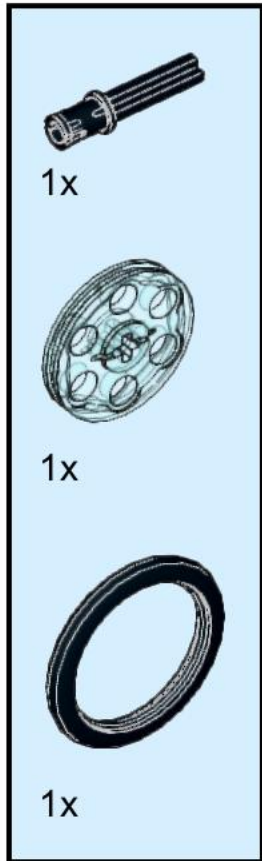
32



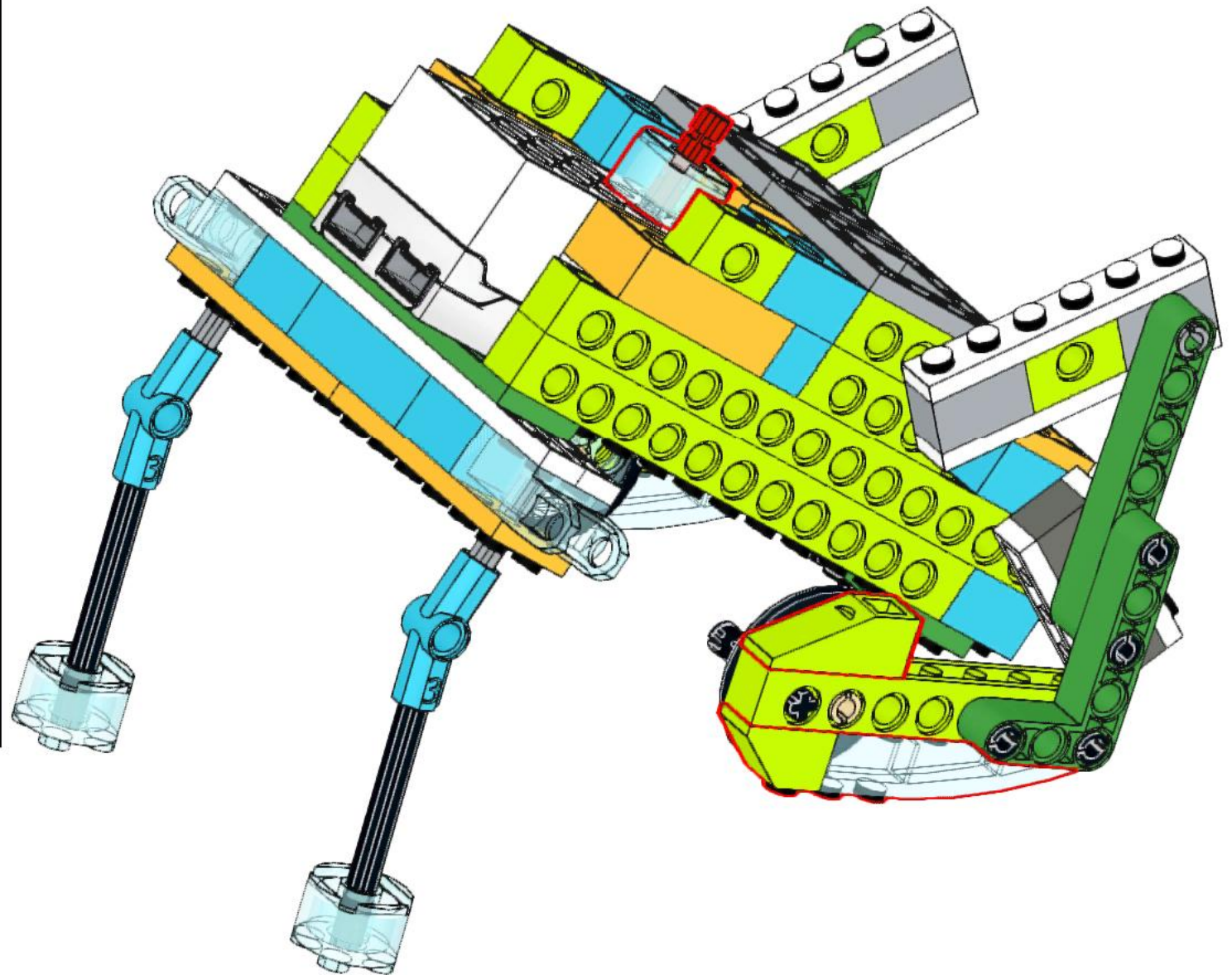
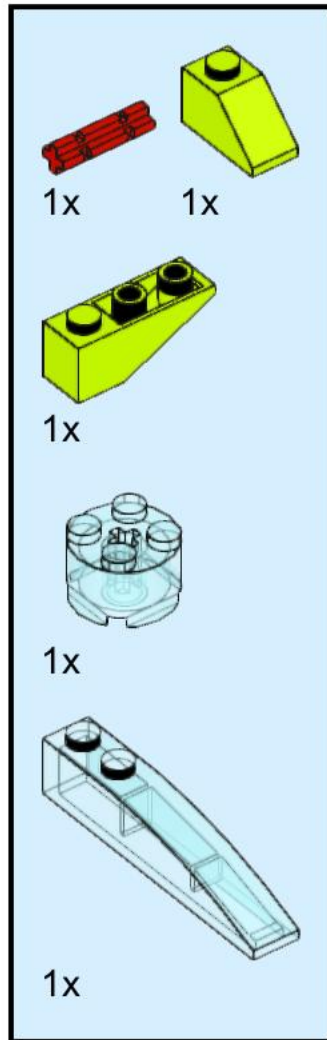
33



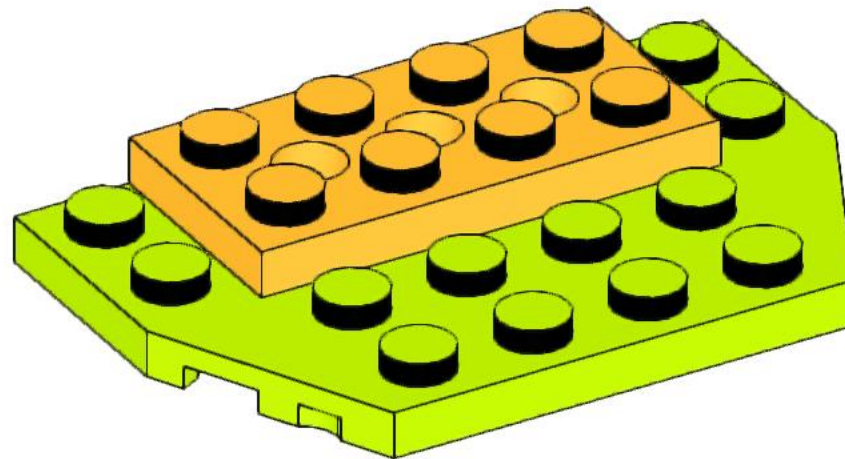
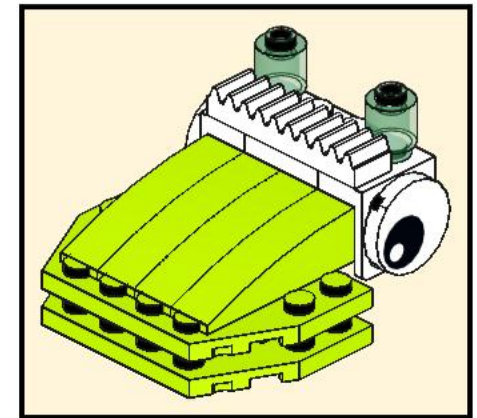
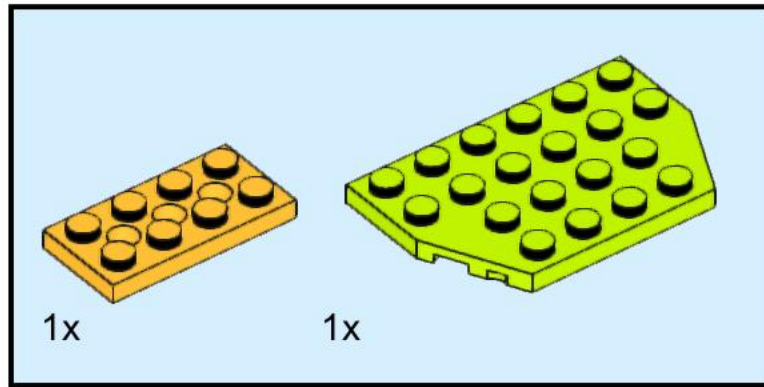
34



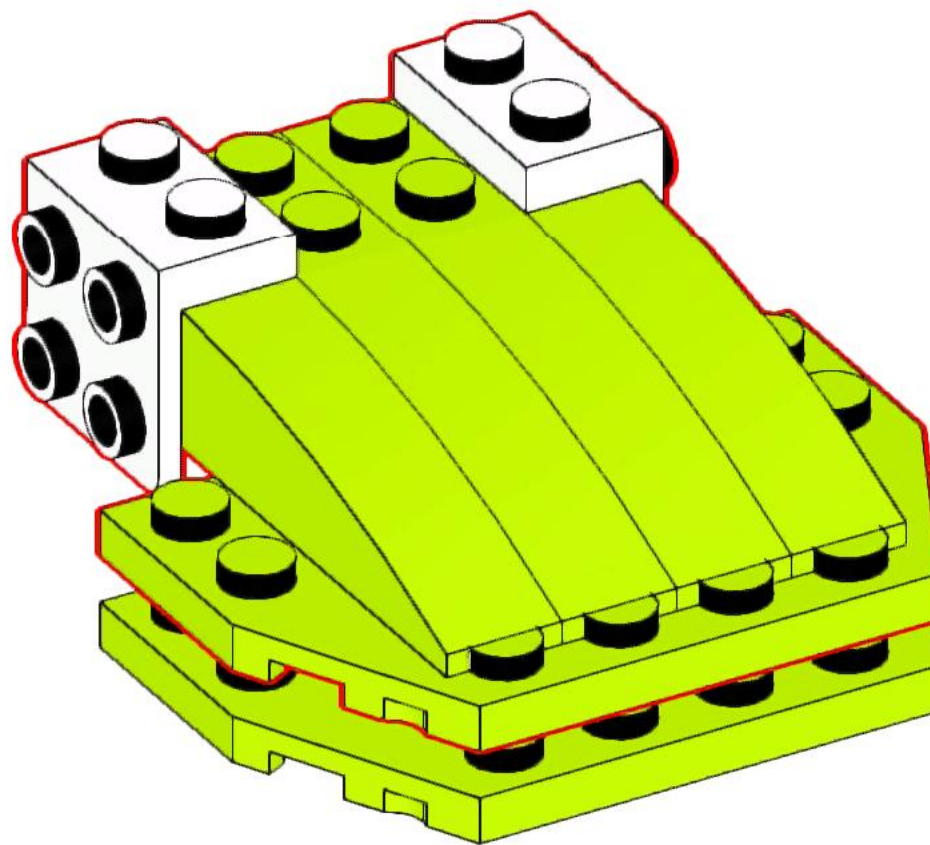
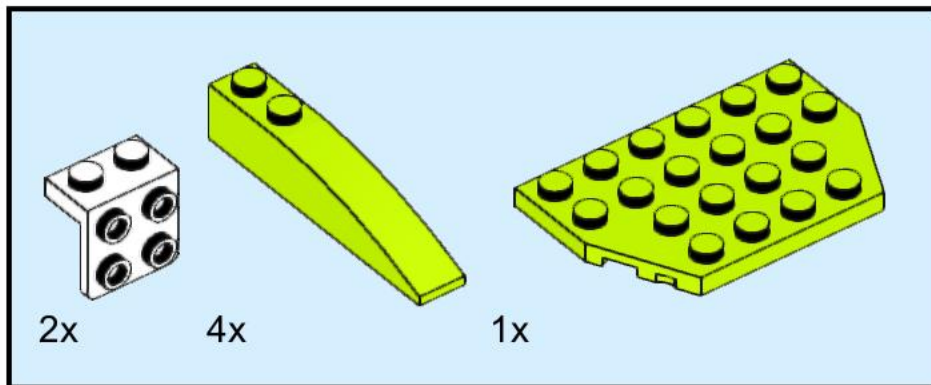
35



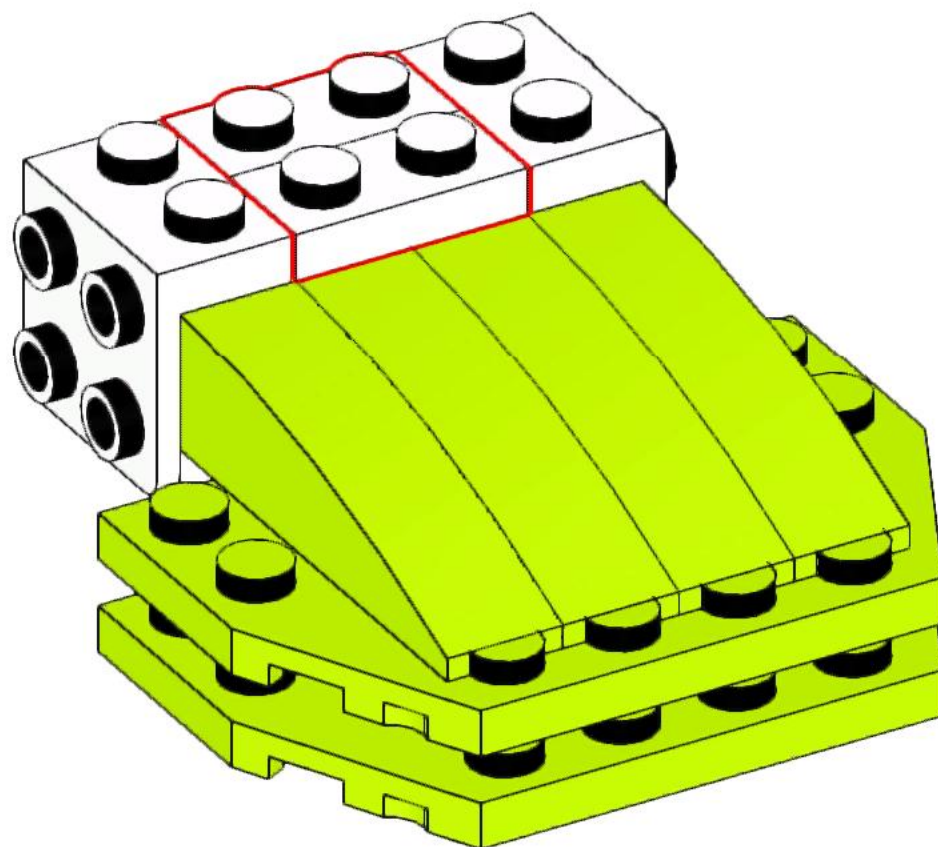
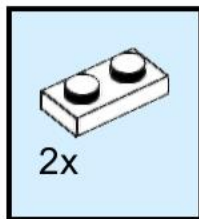
36



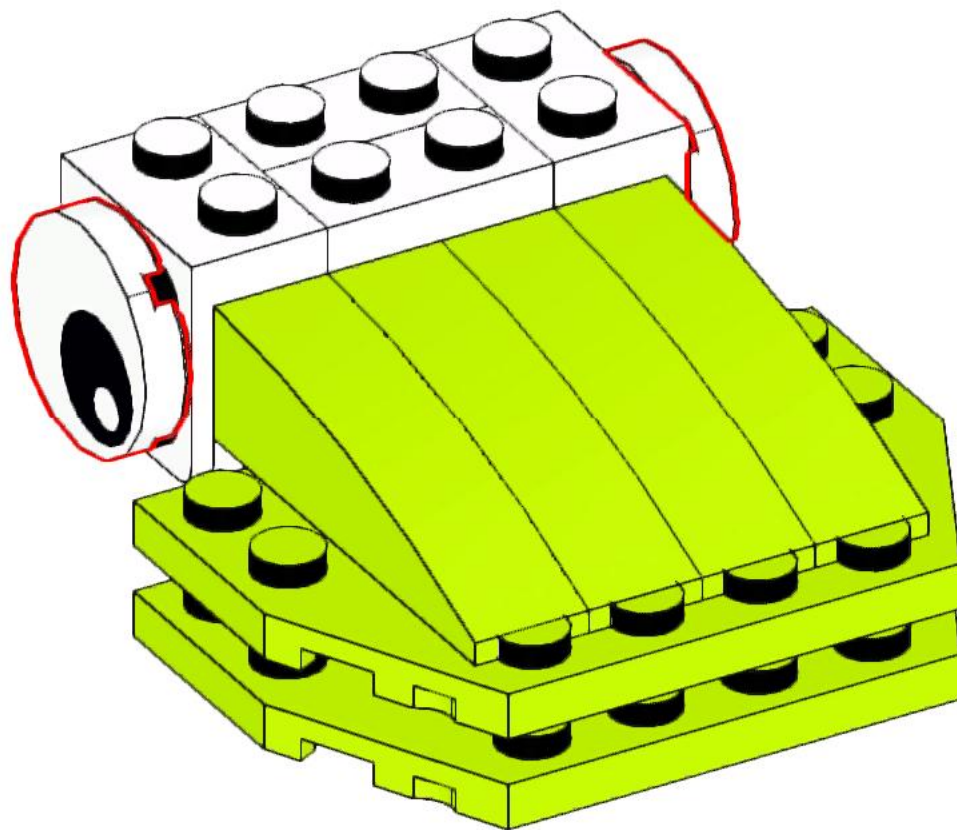
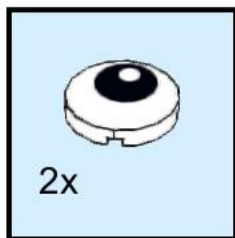
37



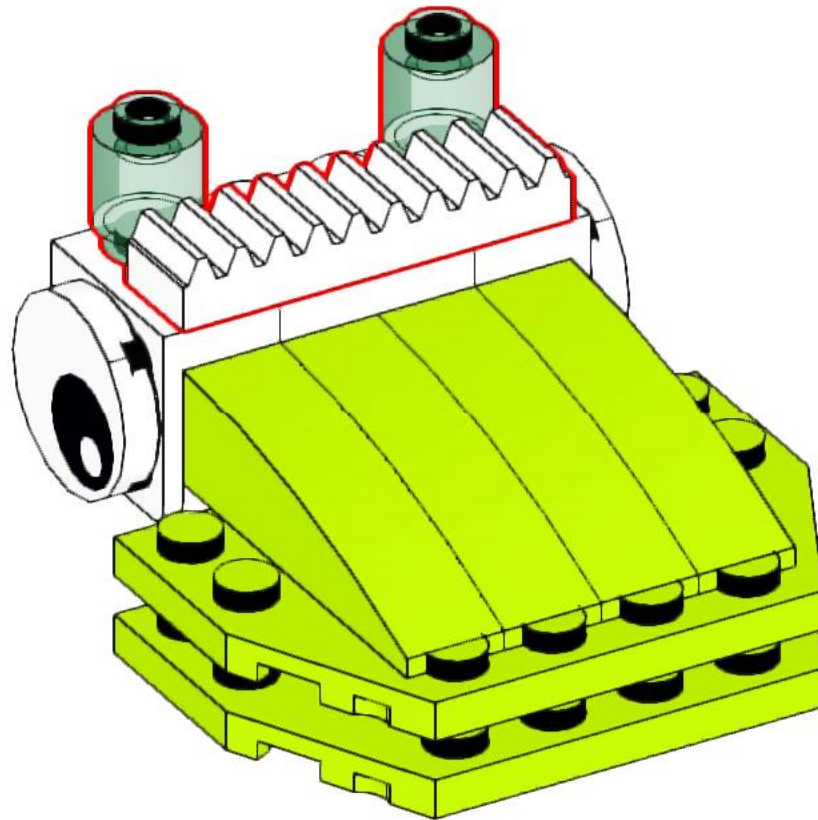
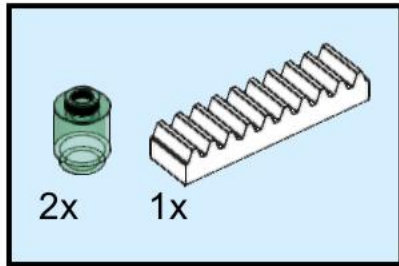
38



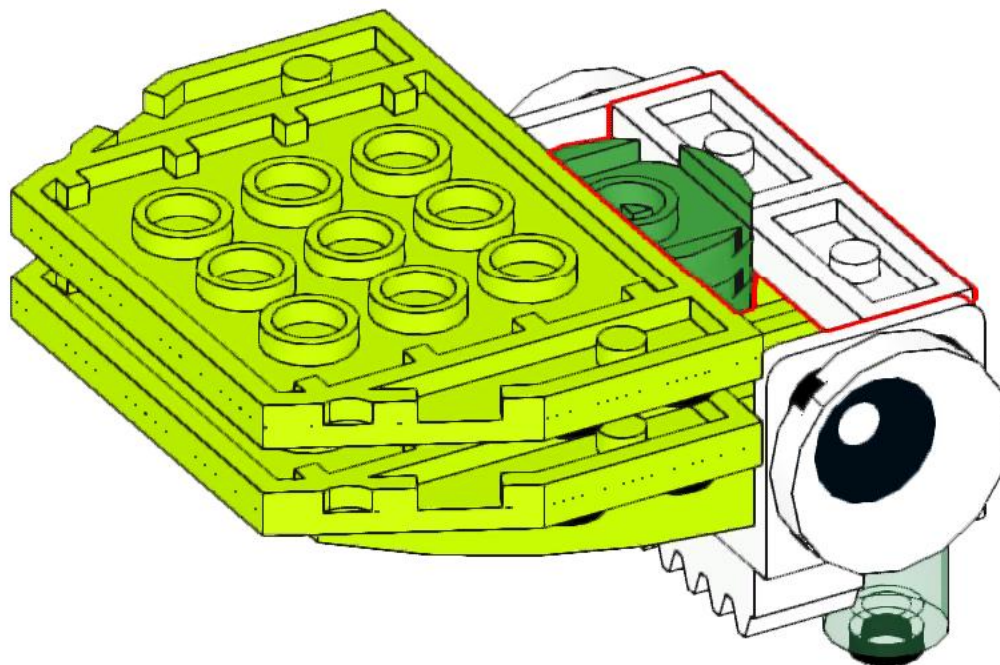
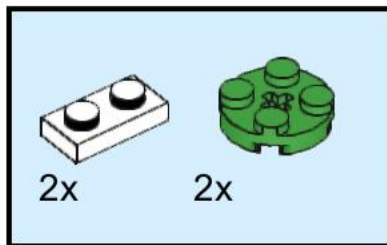
39



40



41



42

