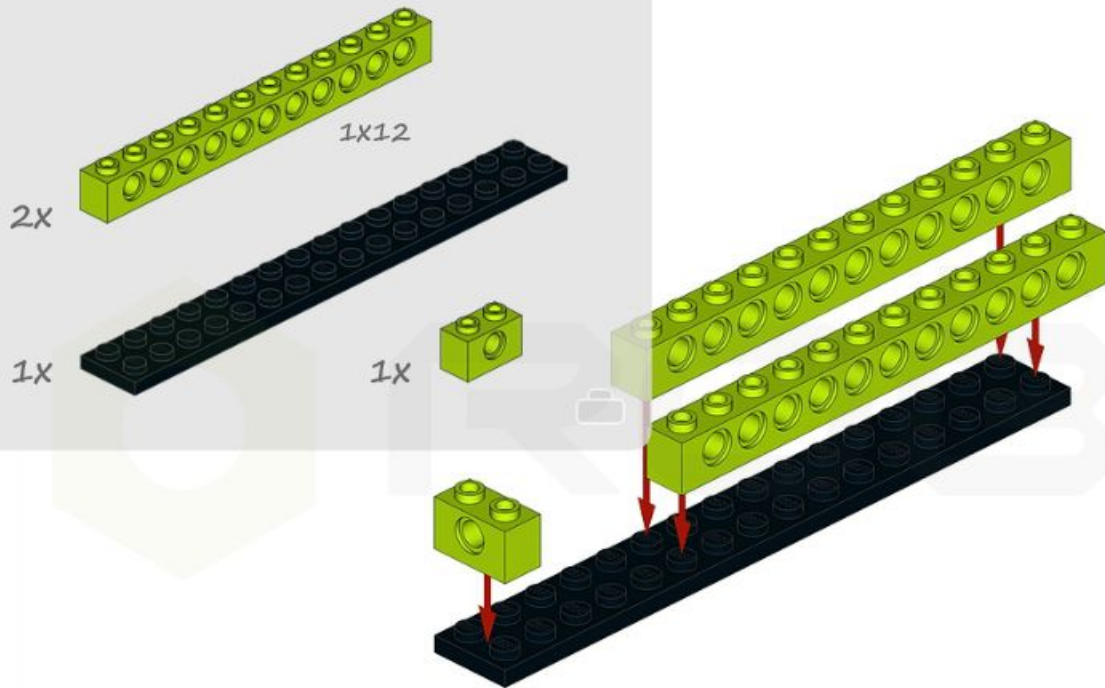
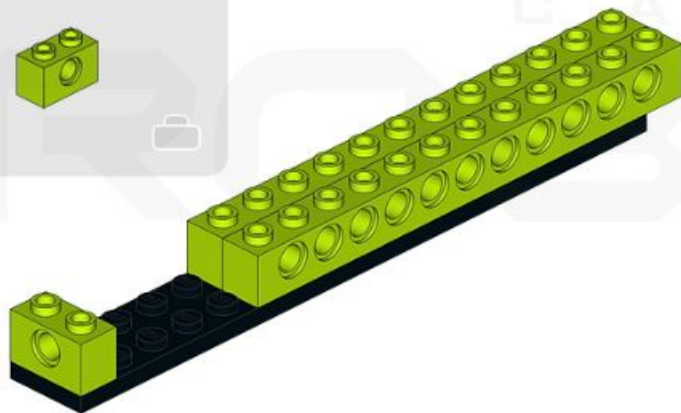
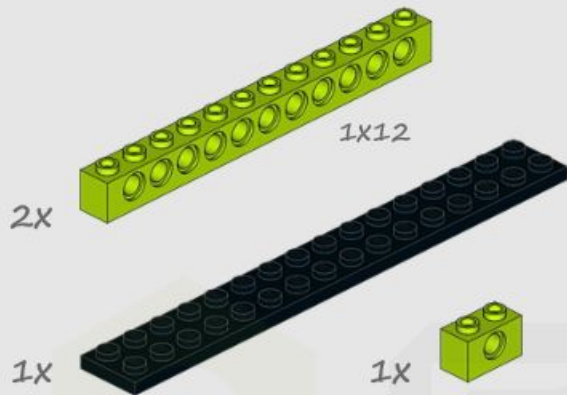


Frogs: Build (WeDo 2.0)

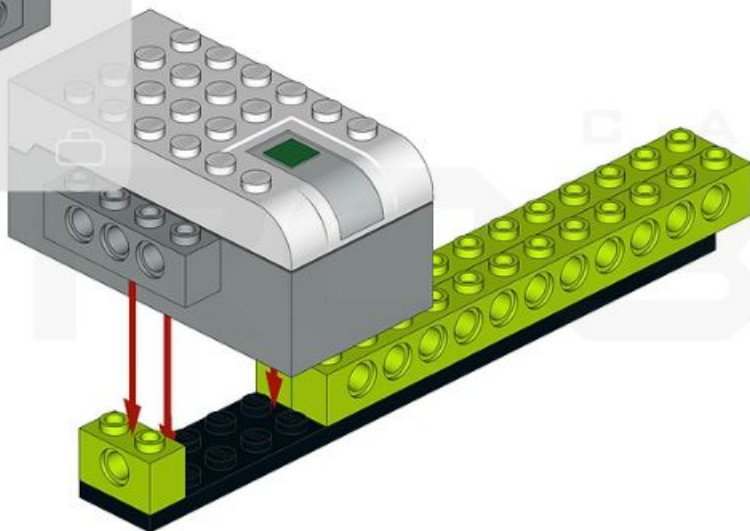
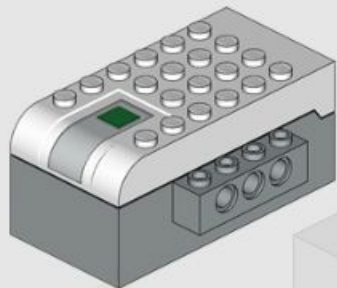


Frogs: Build (WeDo 2.0)



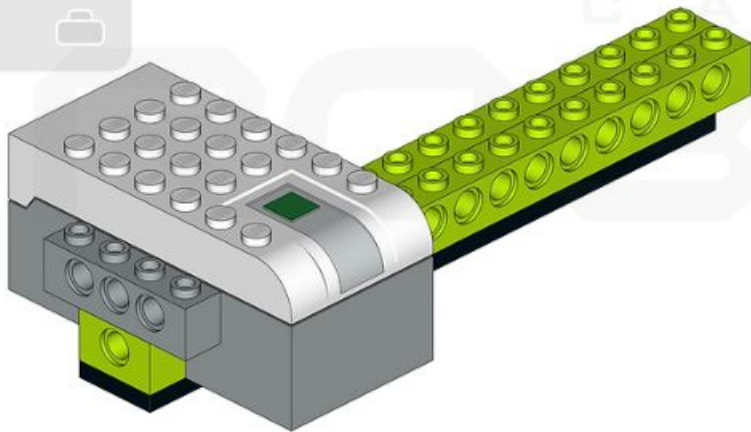
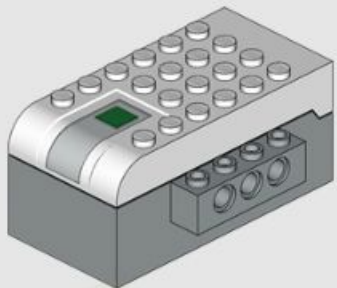
Frogs: Build (WeDo 2.0)

1x

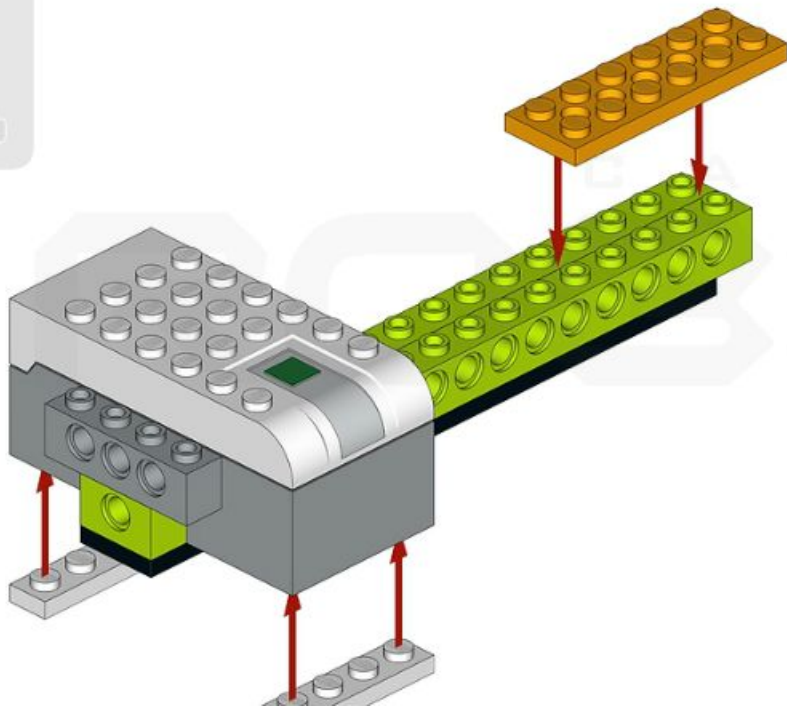
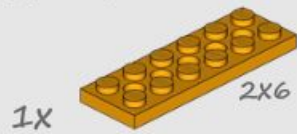
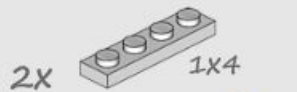


Frogs: Build (WeDo 2.0)

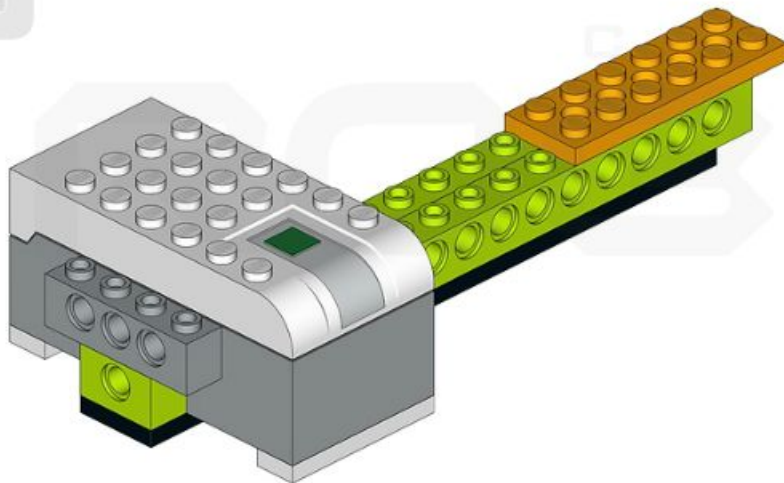
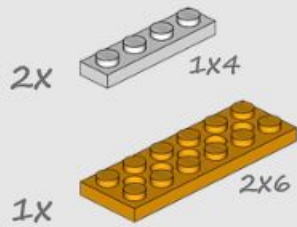
1x



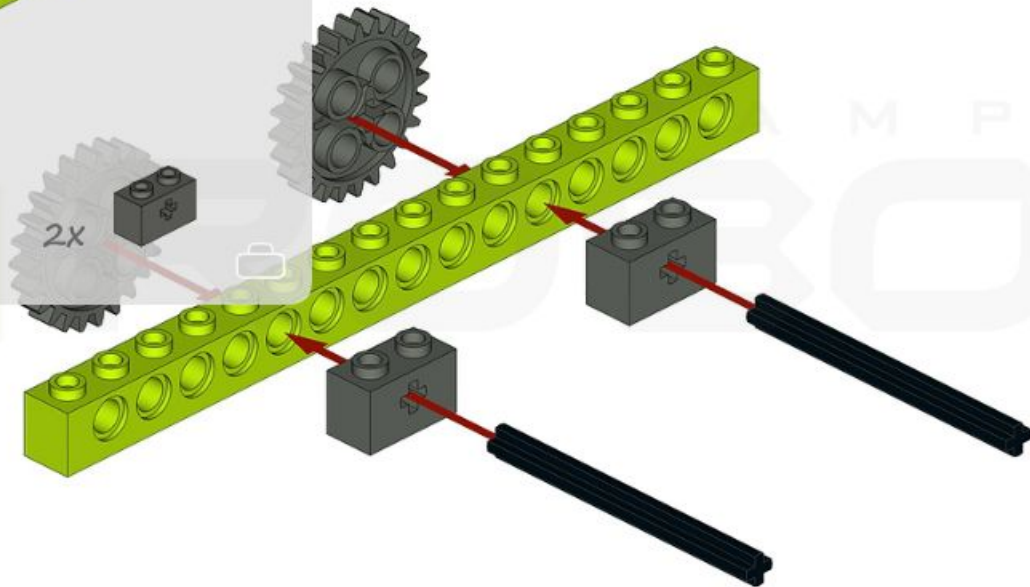
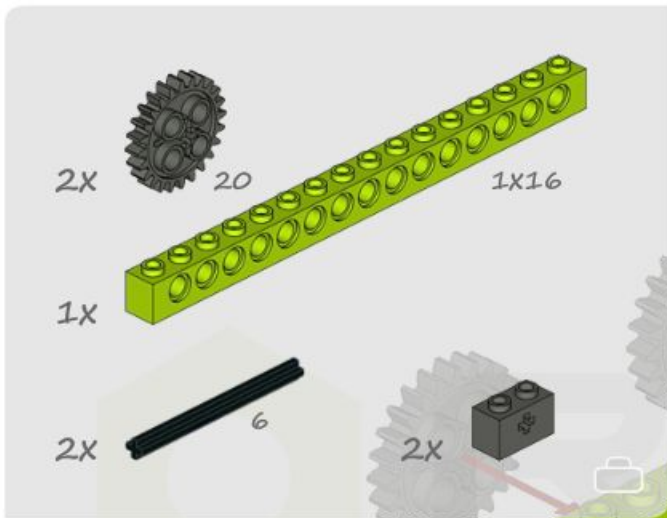
Frogs: Build (WeDo 2.0)



Frogs: Build (WeDo 2.0)



Frogs: Build (WeDo 2.0)



Frogs: Build (WeDo 2.0)

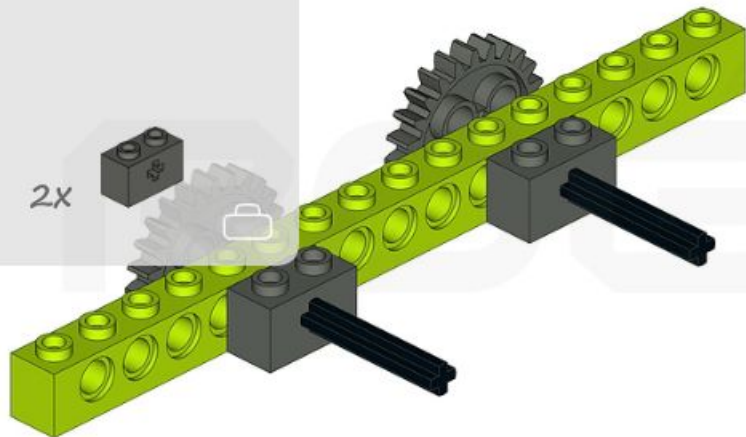
2X 20
1X 16

1X

2X

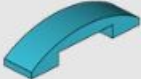
6

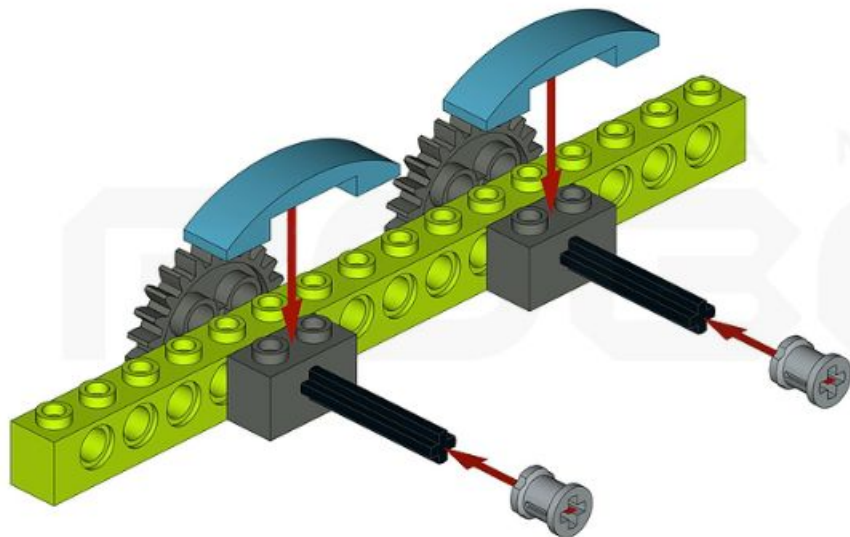
2X



Frogs: Build (WeDo 2.0)

2x 

2x 

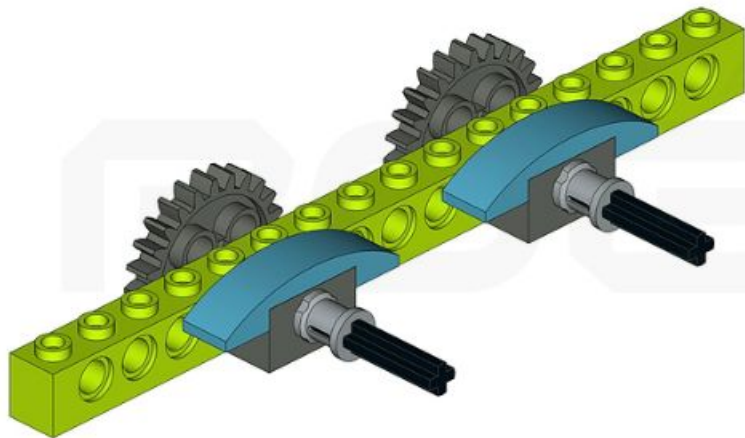
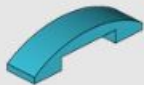


Frogs: Build (WeDo 2.0)

2x



2x

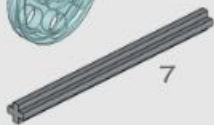


Frogs: Build (WeDo 2.0)

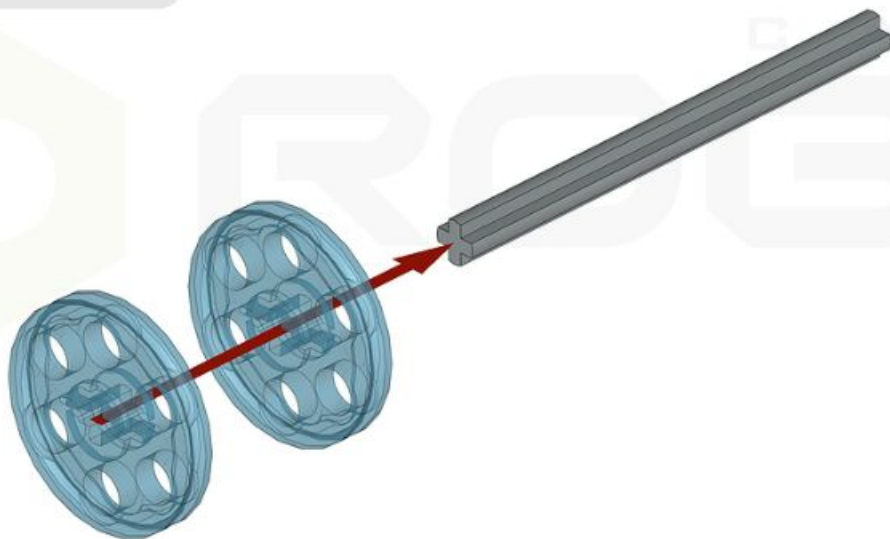
2x



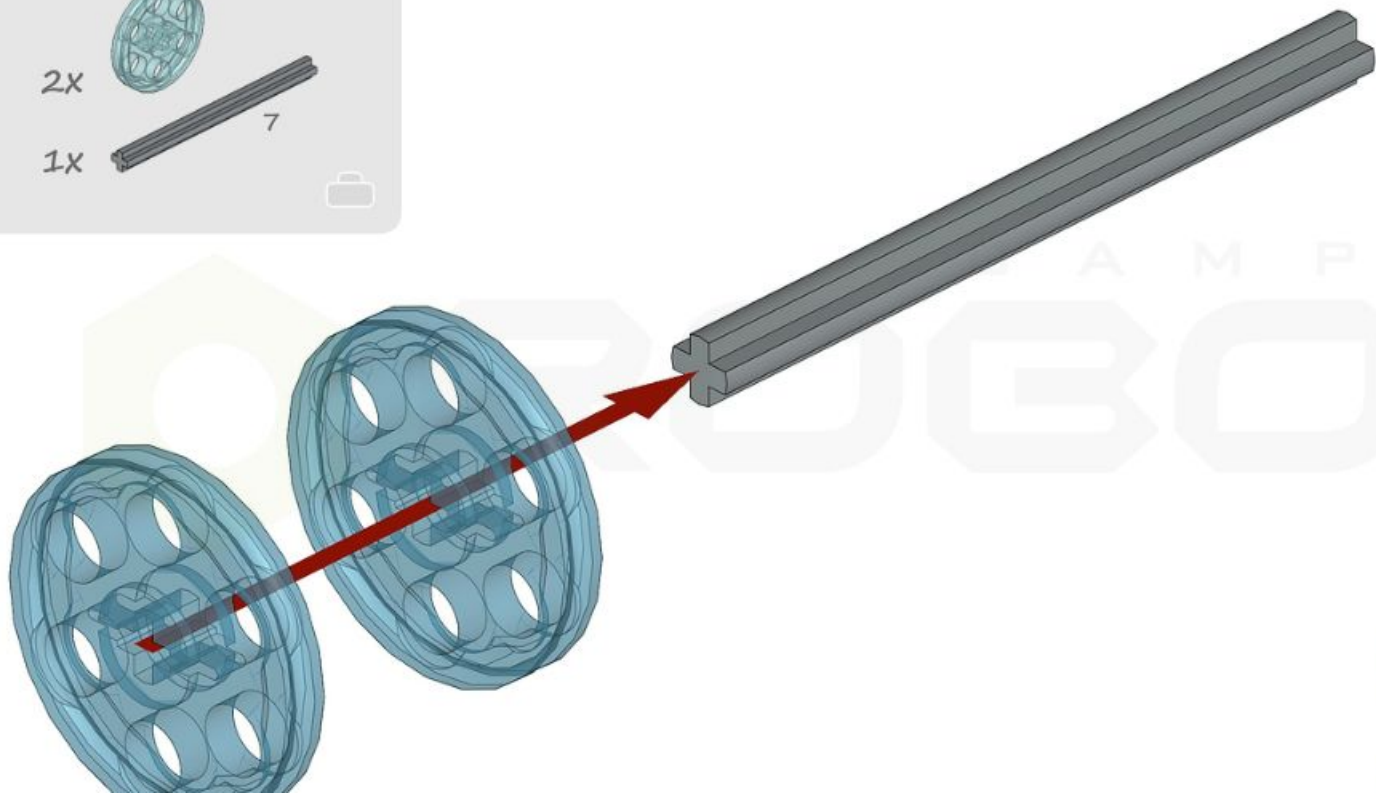
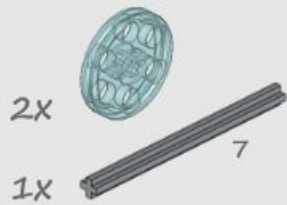
1x



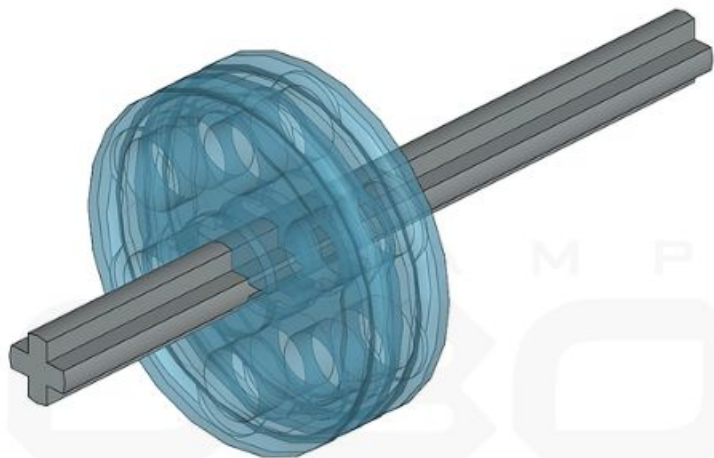
7



Frogs: Build (WeDo 2.0)



Frogs: Build (WeDo 2.0)



RECOAMP

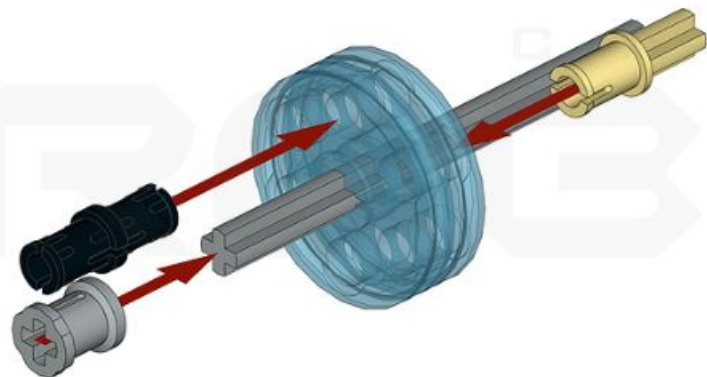


Frogs: Build (WeDo 2.0)

1x 

1x 

1x 

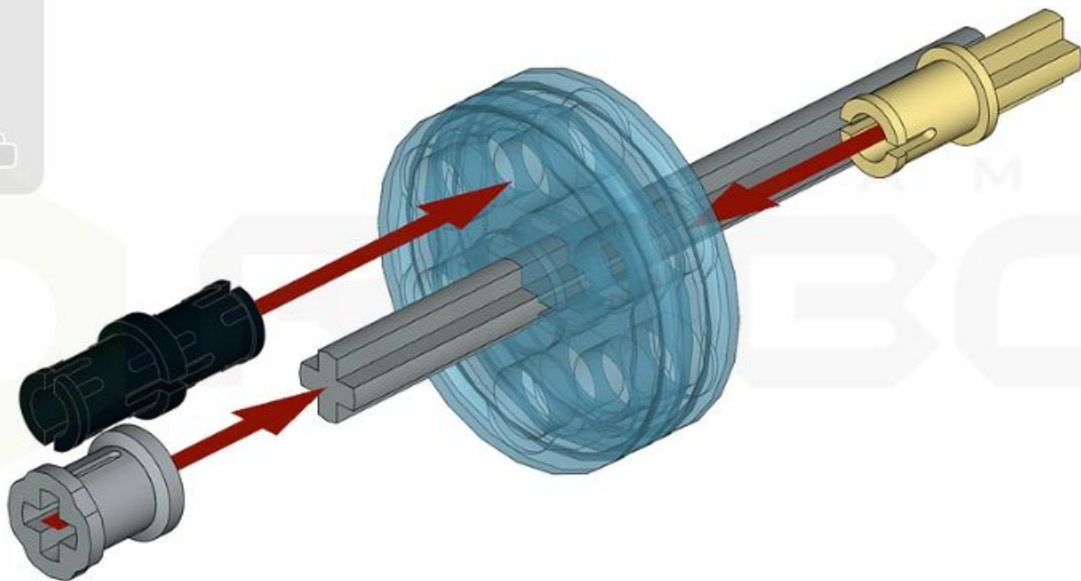


Frogs: Build (WeDo 2.0)

1x 

1x 

1x 

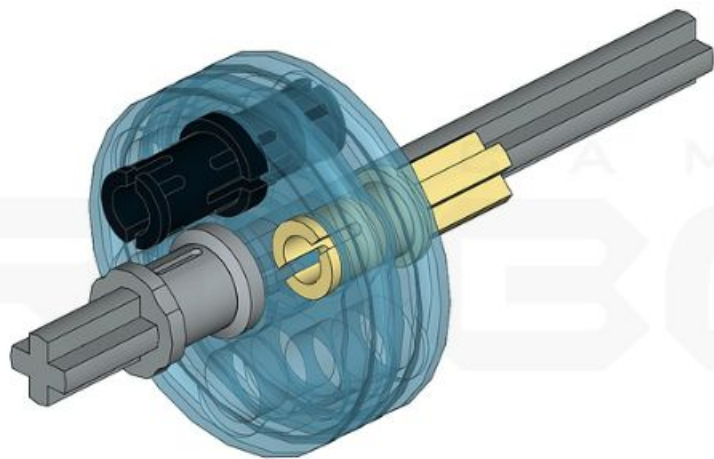


Frogs: Build (WeDo 2.0)

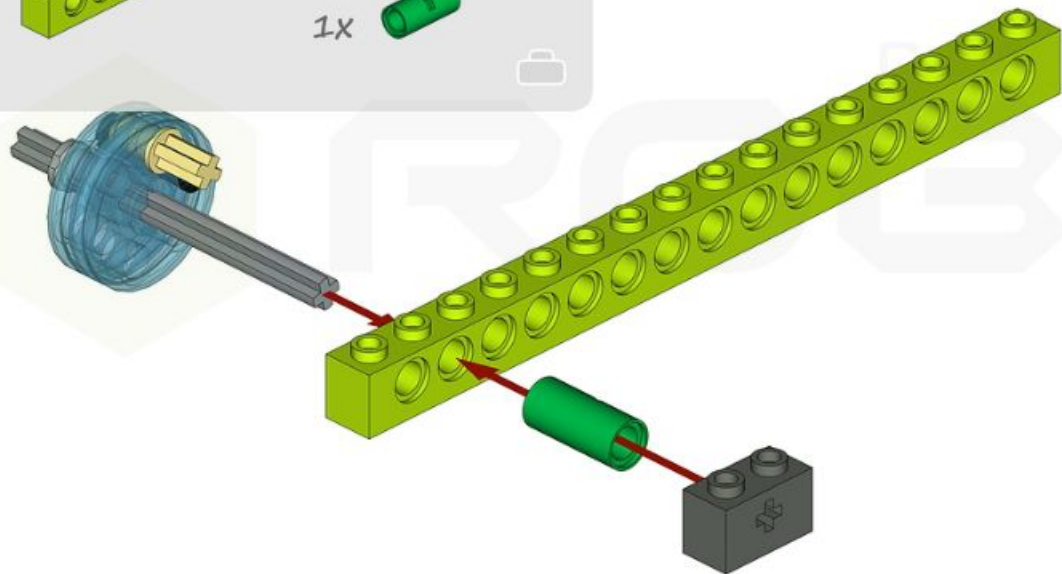
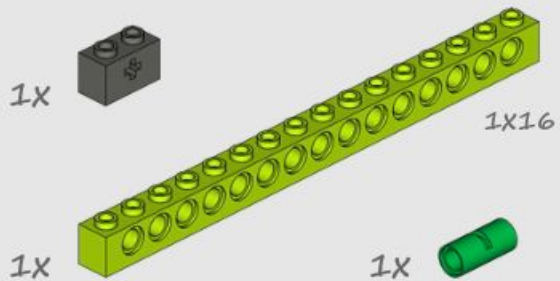
1x 

1x 

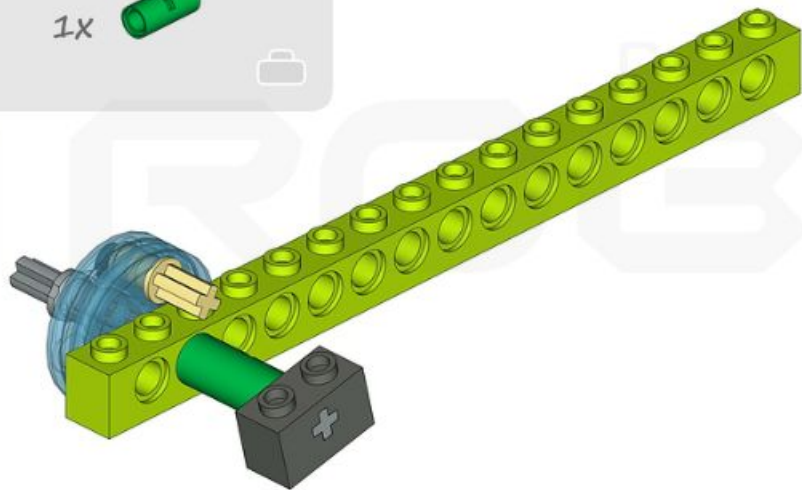
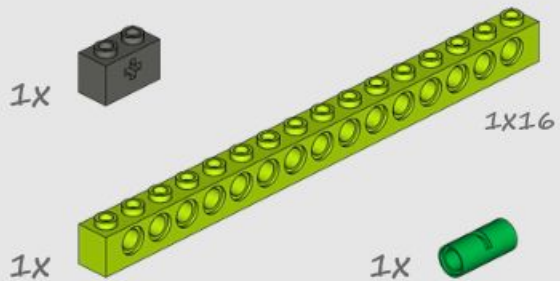
1x 



Frogs: Build (WeDo 2.0)



Frogs: Build (WeDo 2.0)

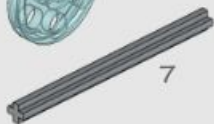


Frogs: Build (WeDo 2.0)

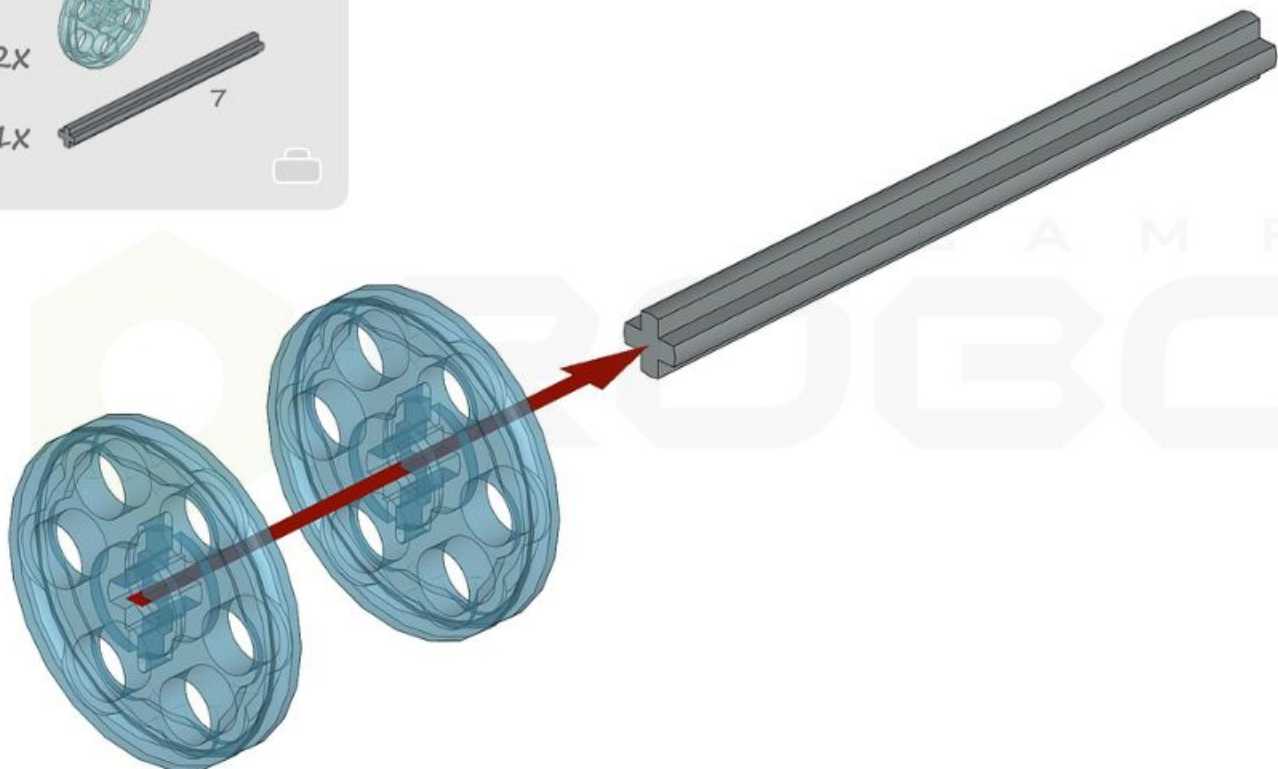
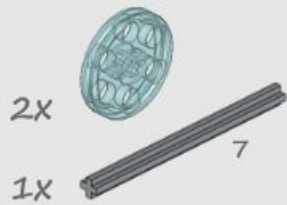
2x



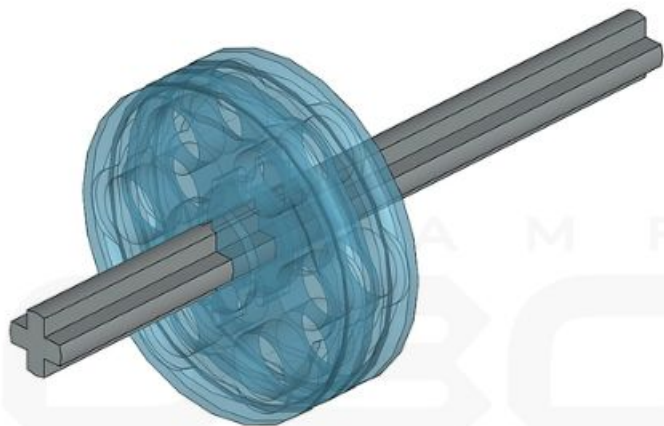
1x



Frogs: Build (WeDo 2.0)



Frogs: Build (WeDo 2.0)



ROBAM P
30

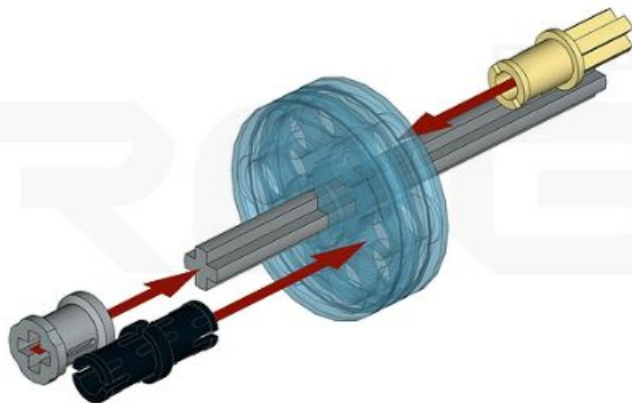


Frogs: Build (WeDo 2.0)

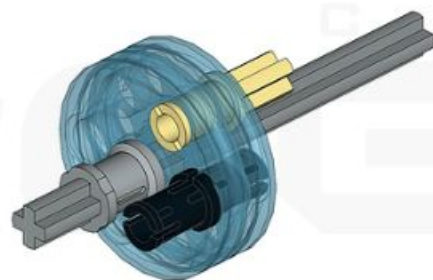
1x 

1x 

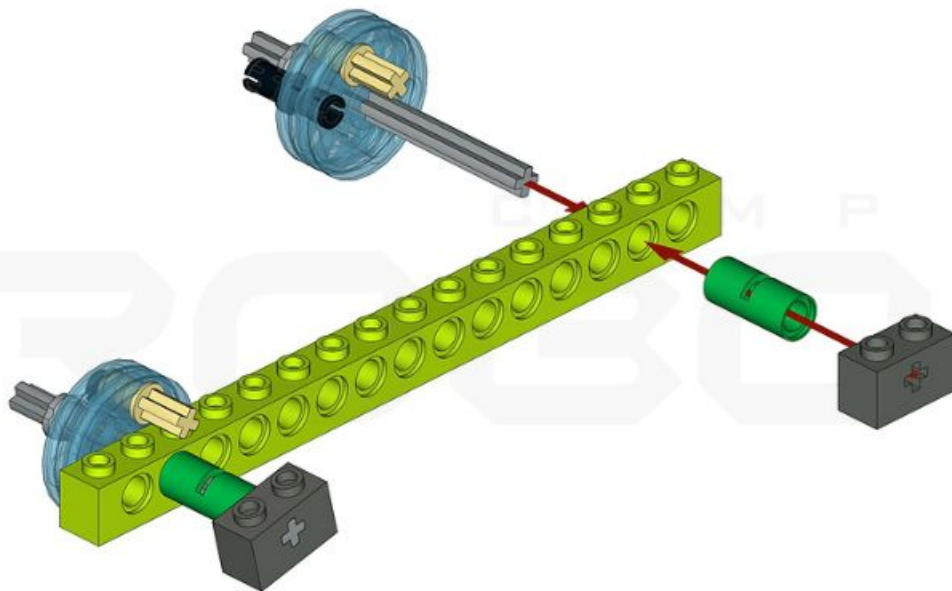
1x 



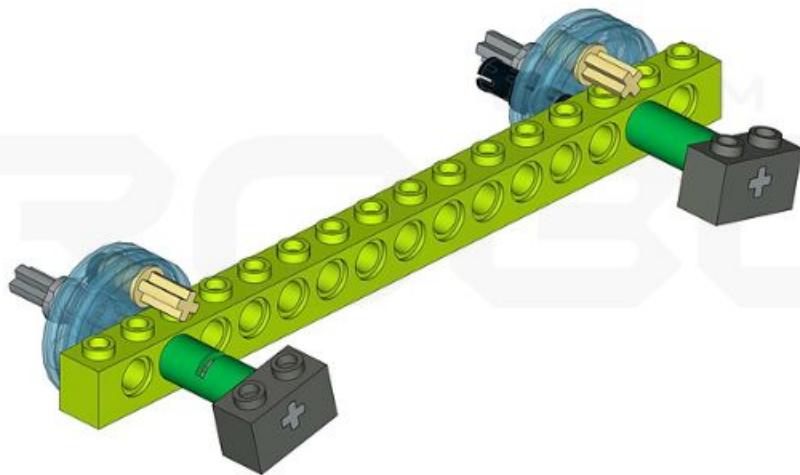
Frogs: Build (WeDo 2.0)



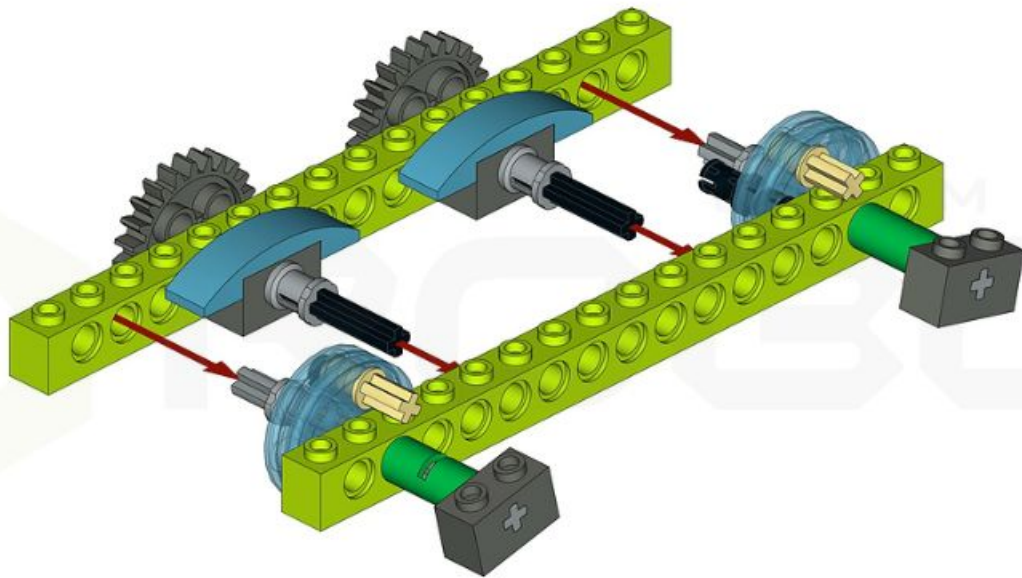
Frogs: Build (WeDo 2.0)



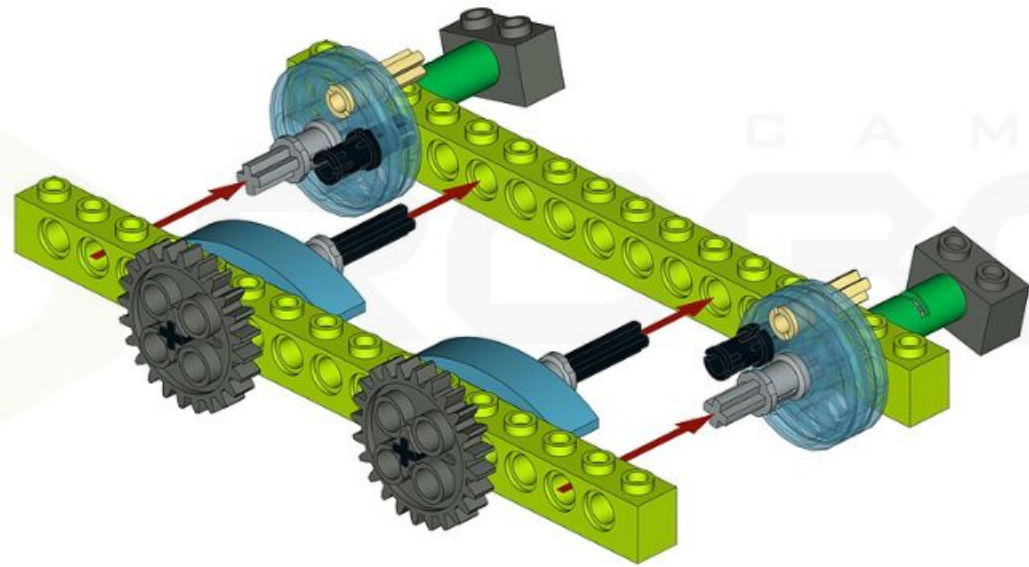
Frogs: Build (WeDo 2.0)



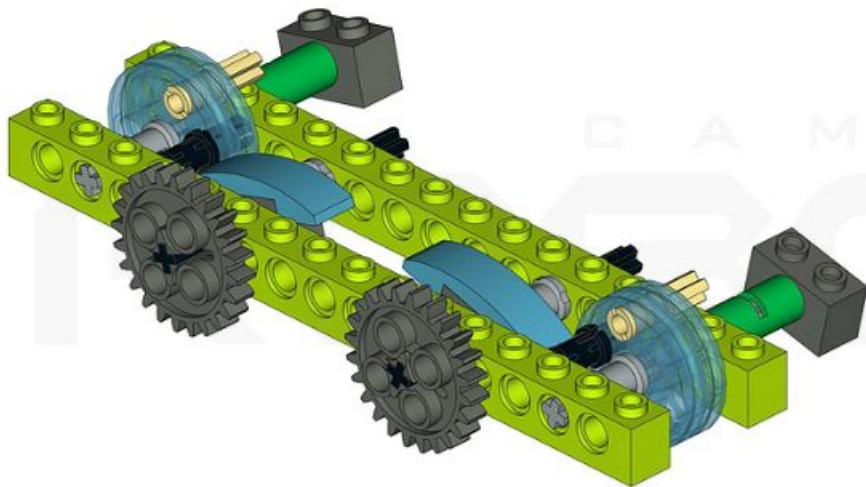
Frogs: Build (WeDo 2.0)



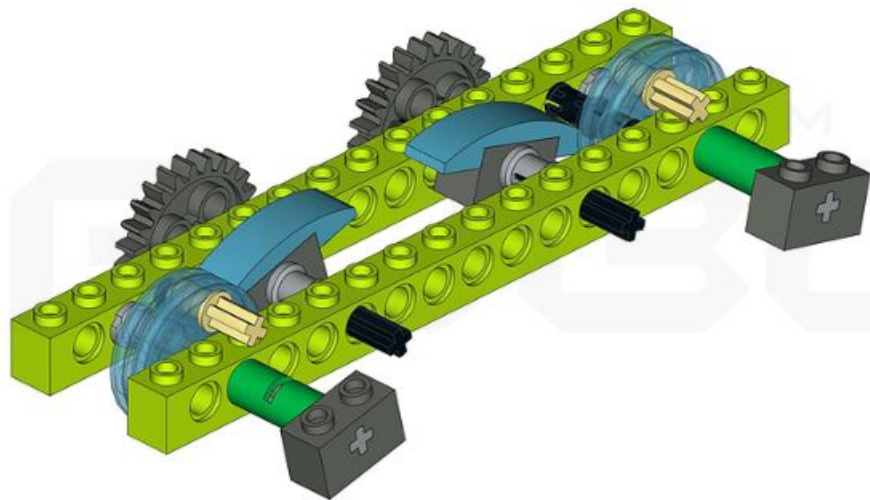
Frogs: Build (WeDo 2.0)



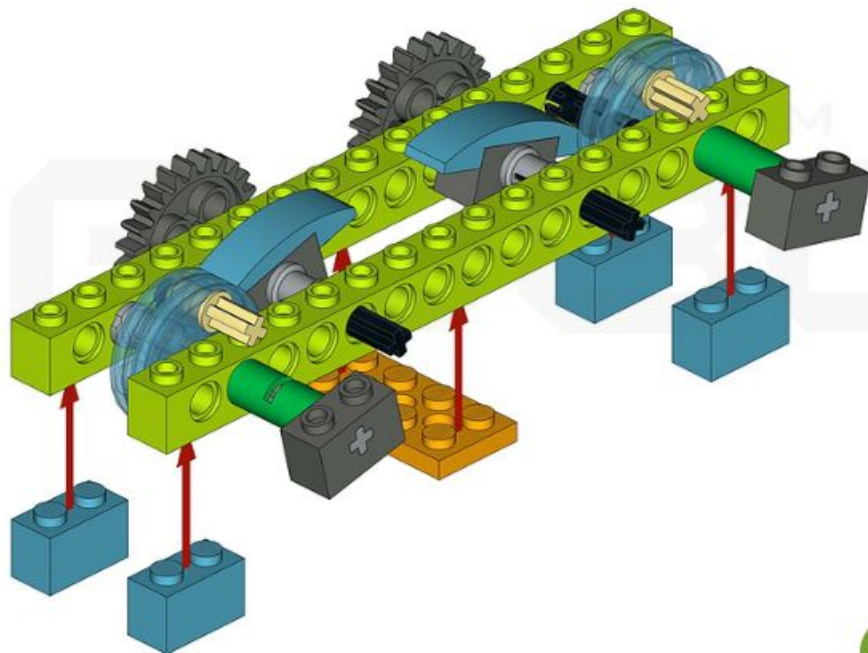
Frogs: Build (WeDo 2.0)



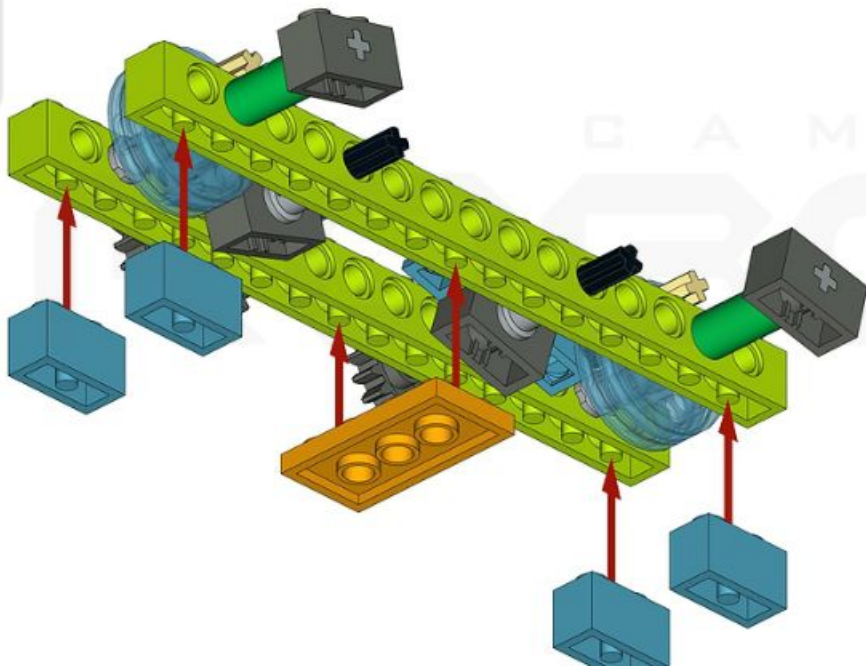
Frogs: Build (WeDo 2.0)



Frogs: Build (WeDo 2.0)



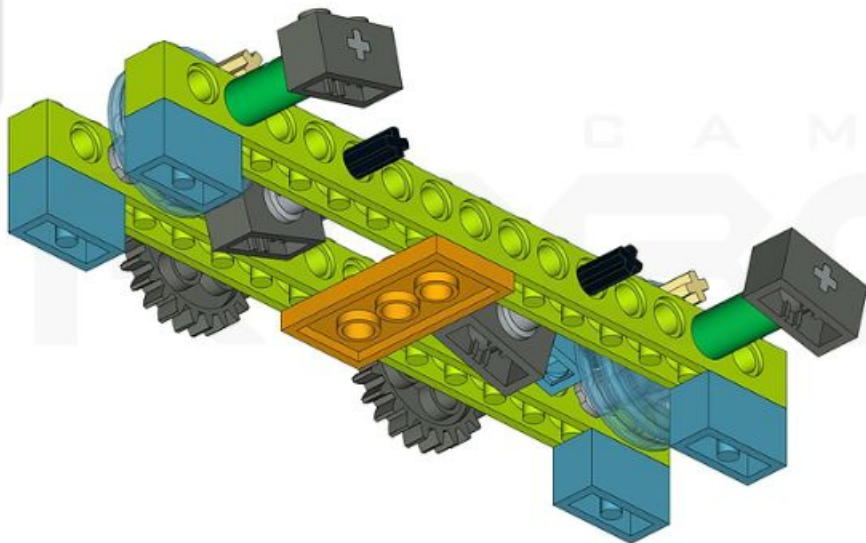
Frogs: Build (WeDo 2.0)



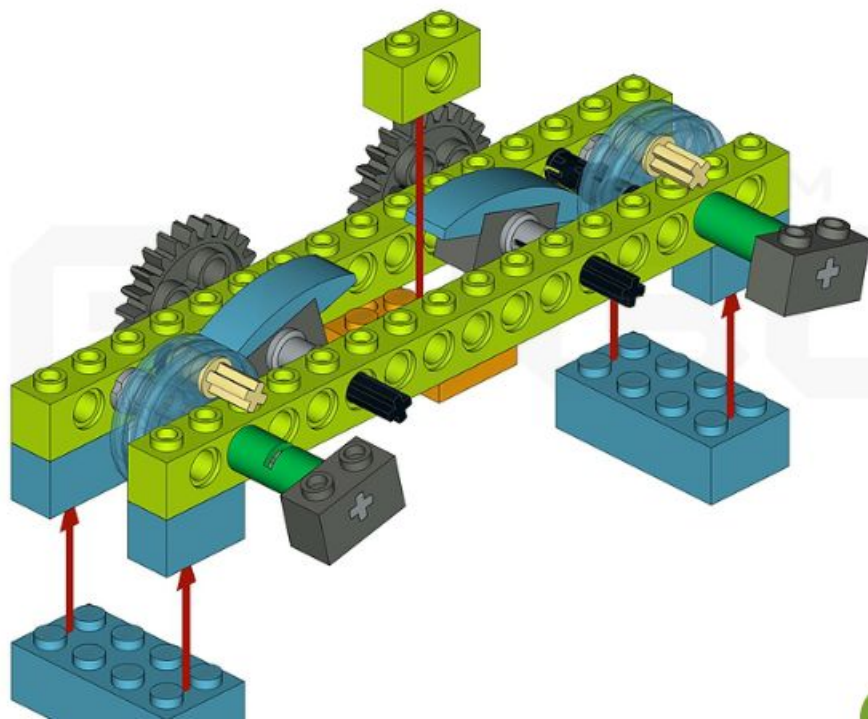
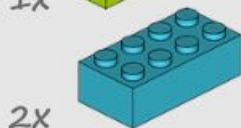
CAMP



Frogs: Build (WeDo 2.0)



Frogs: Build (WeDo 2.0)

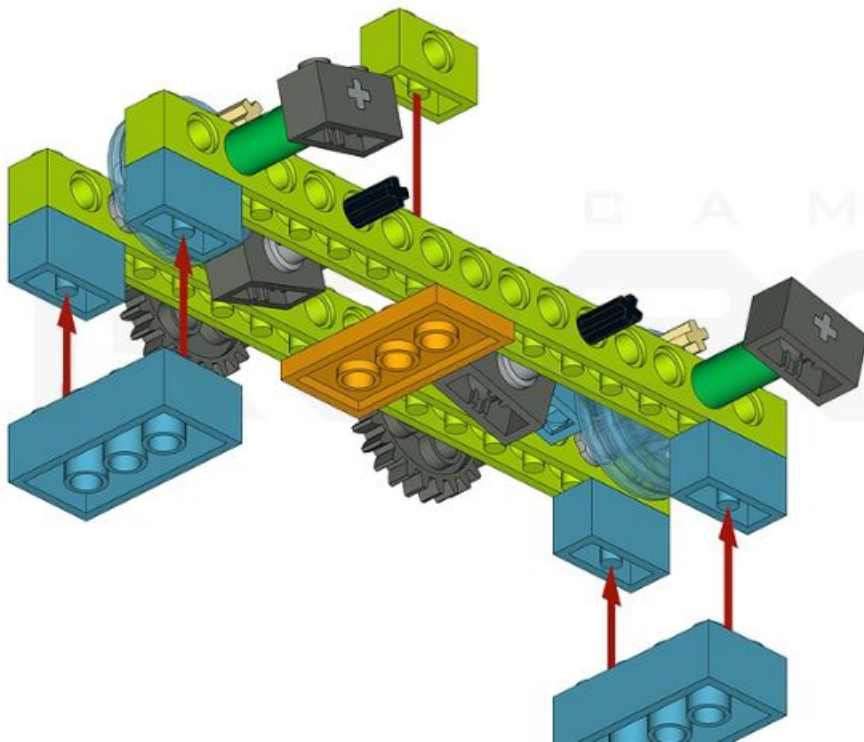
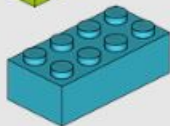


Frogs: Build (WeDo 2.0)


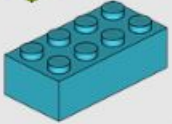
1x

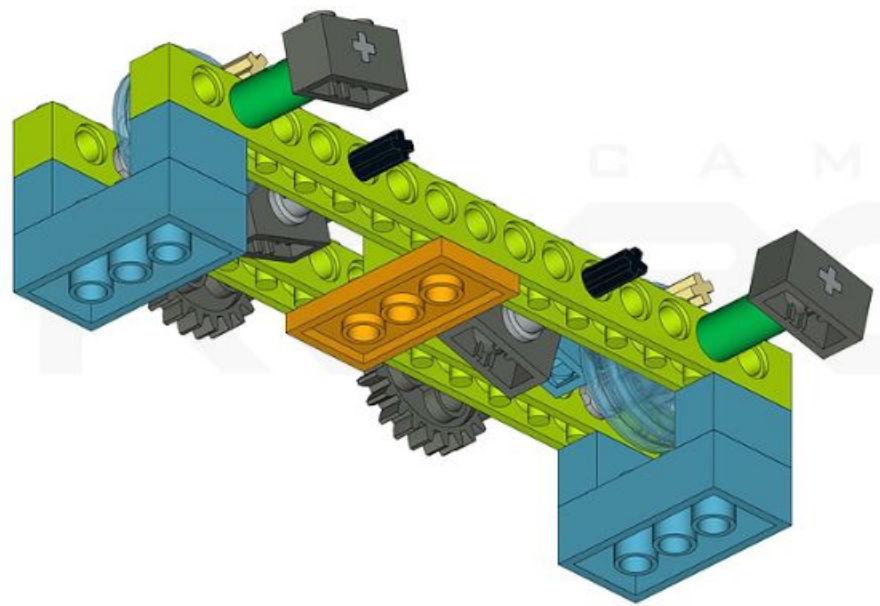


2x



Frogs: Build (WeDo 2.0)

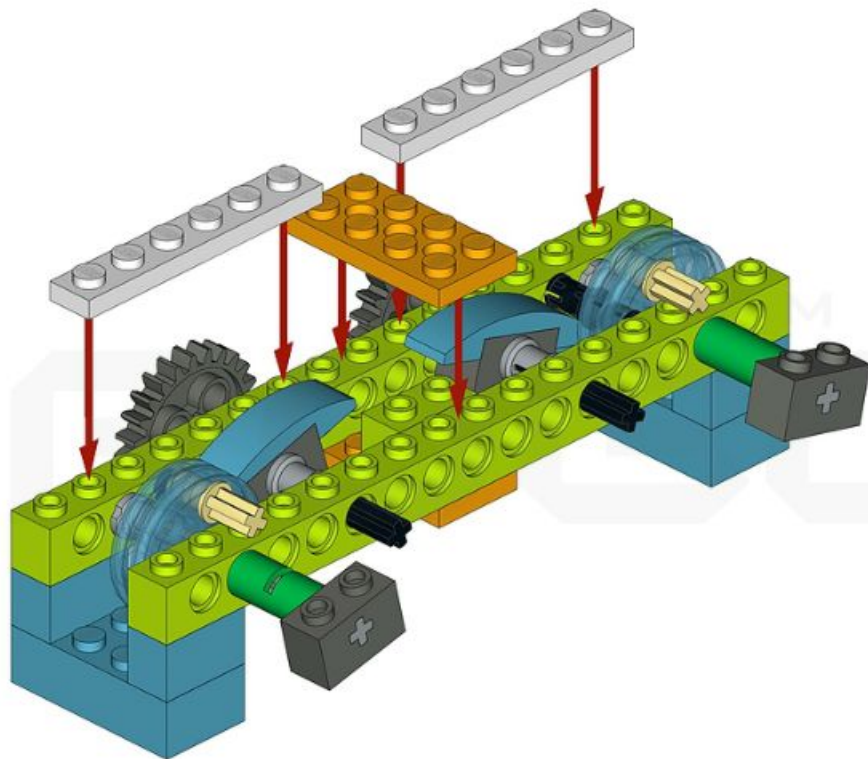
- 1x 
- 2x 



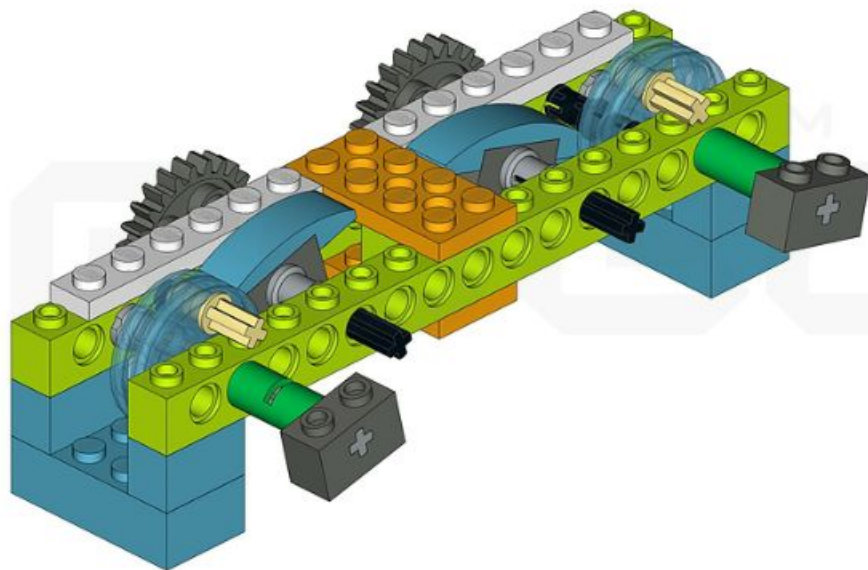
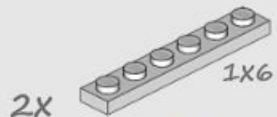
Frogs: Build (WeDo 2.0)

2X 1X6

1X 2X4



Frogs: Build (WeDo 2.0)

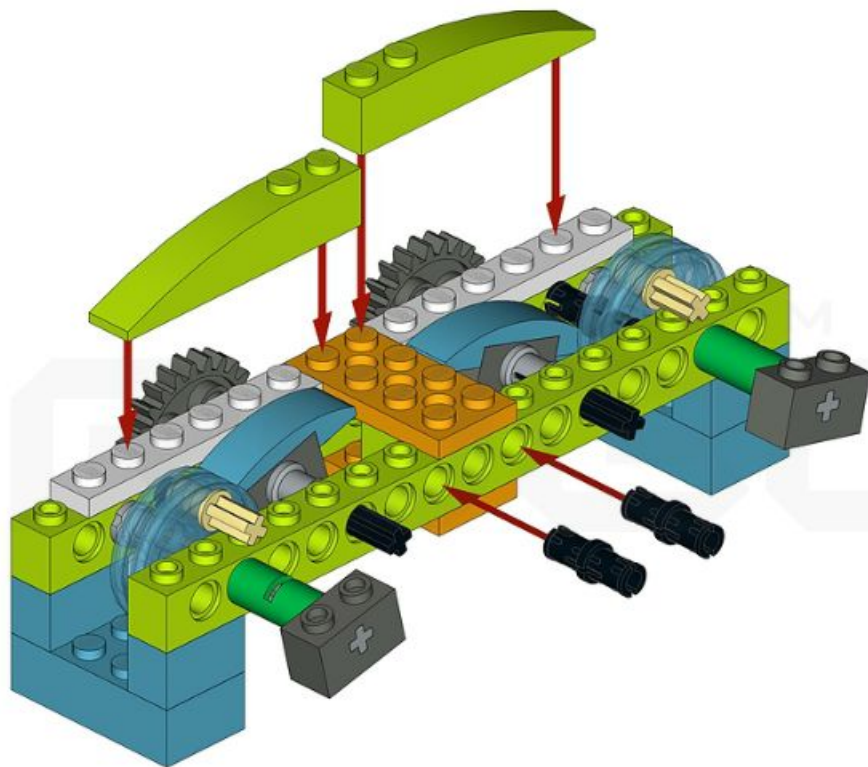


Frogs: Build (WeDo 2.0)



2x

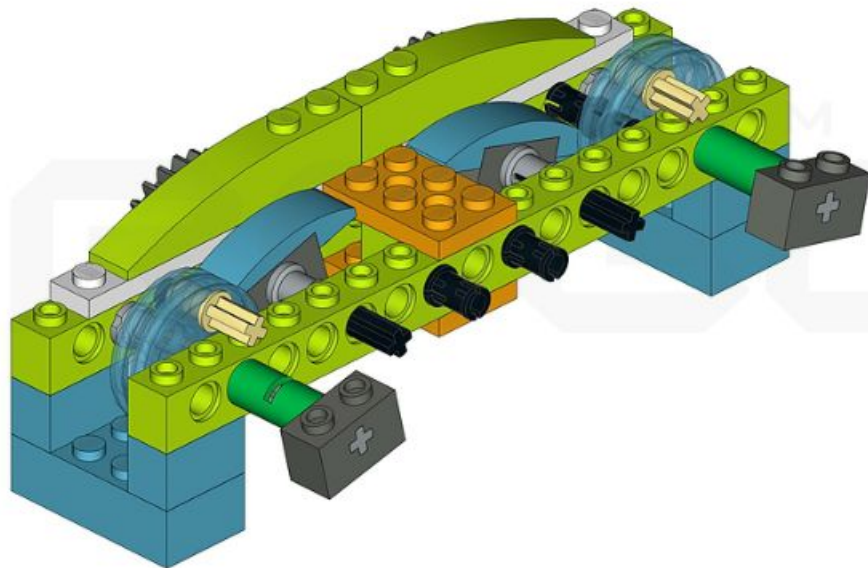


2x



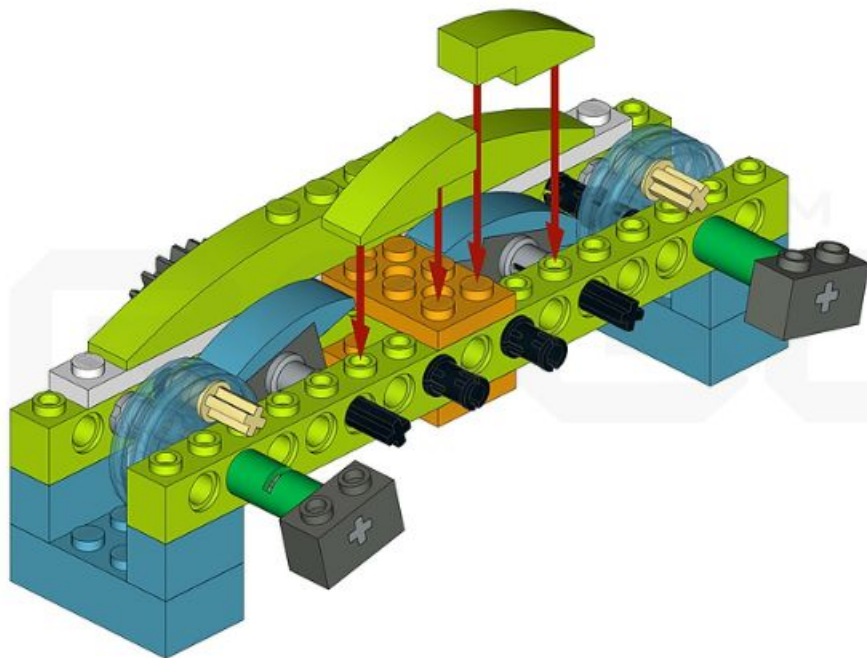
Frogs: Build (WeDo 2.0)

- 2x 
- 2x 



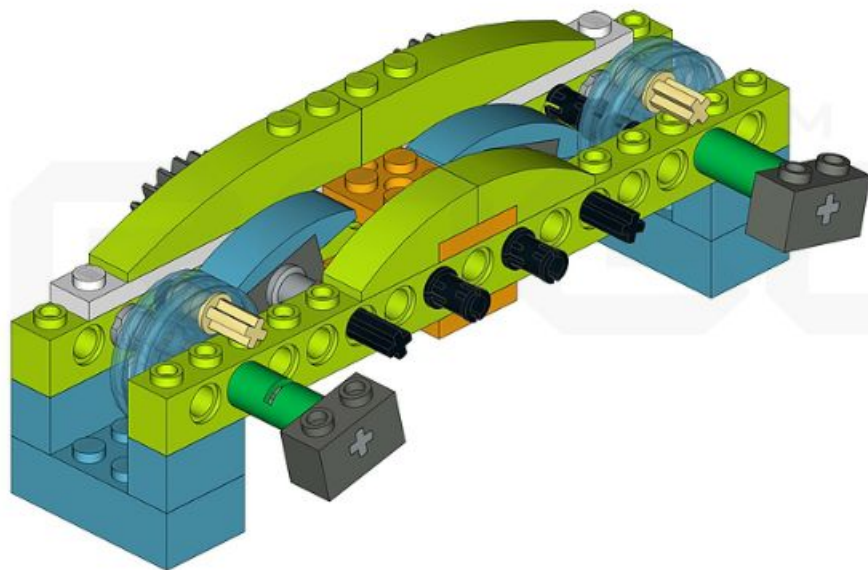
Frogs: Build (WeDo 2.0)

2x



Frogs: Build (WeDo 2.0)

2x



Frogs: Build (WeDo 2.0)

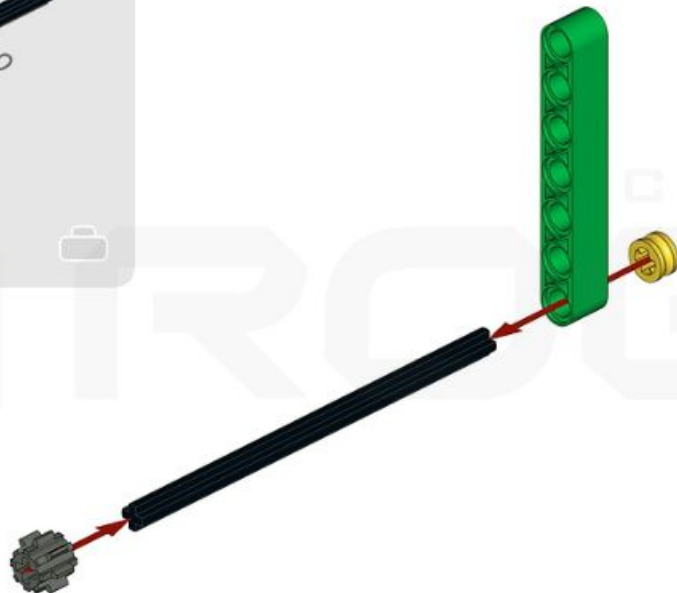
1X 

1X 

1X 

10

1X  8



CAMP



Frogs: Build (WeDo 2.0)

1X 

1X 

1X 

10

1X 

8



CAMP

ROBO



Frogs: Build (WeDo 2.0)

2x 

2x 

1x 



CAMP

ROBO



Frogs: Build (WeDo 2.0)

2x 

2x 

1x 



CAMP

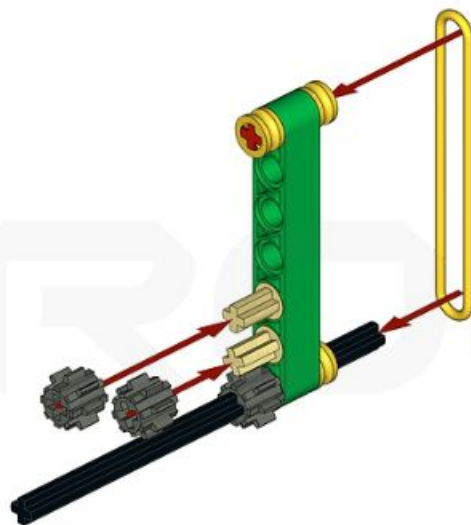
ROBO



Frogs: Build (WeDo 2.0)

2X  8

1X



CAMP

ROBO



Frogs: Build (WeDo 2.0)

2x  8

1x 

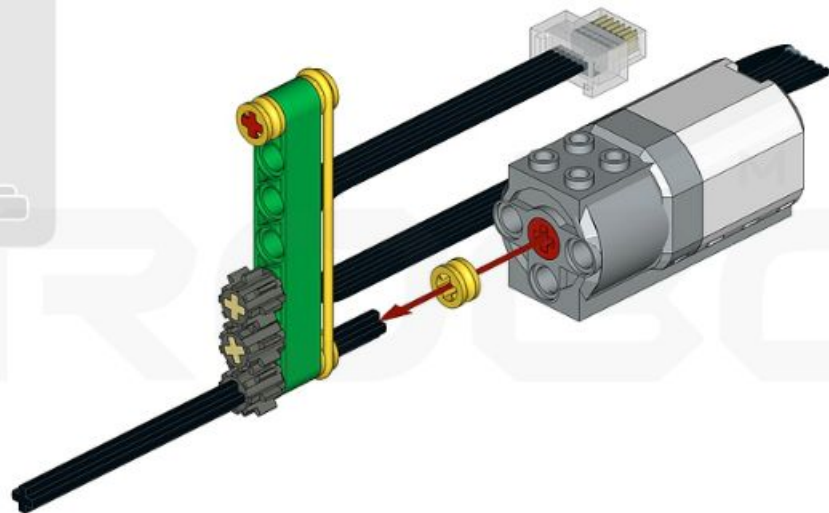
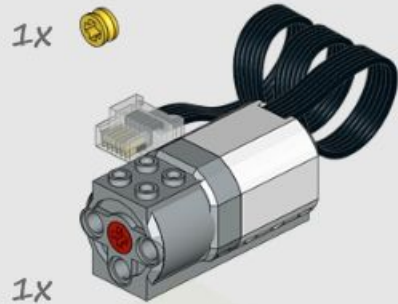


CAMP

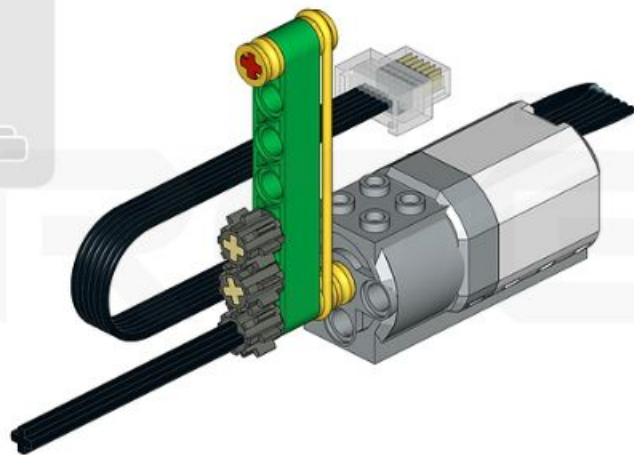
ROBO



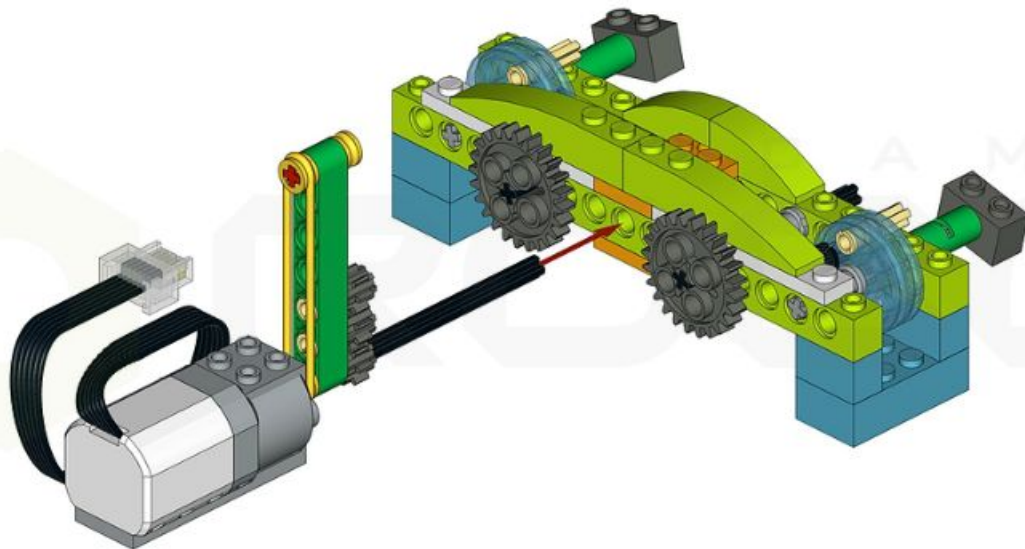
Frogs: Build (WeDo 2.0)



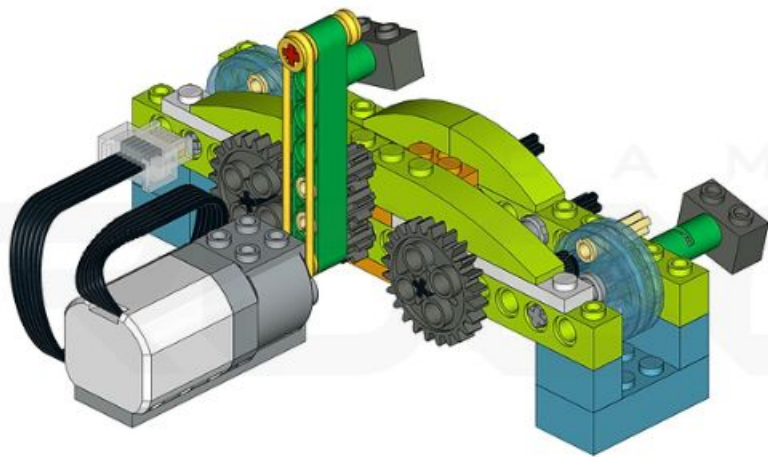
Frogs: Build (WeDo 2.0)



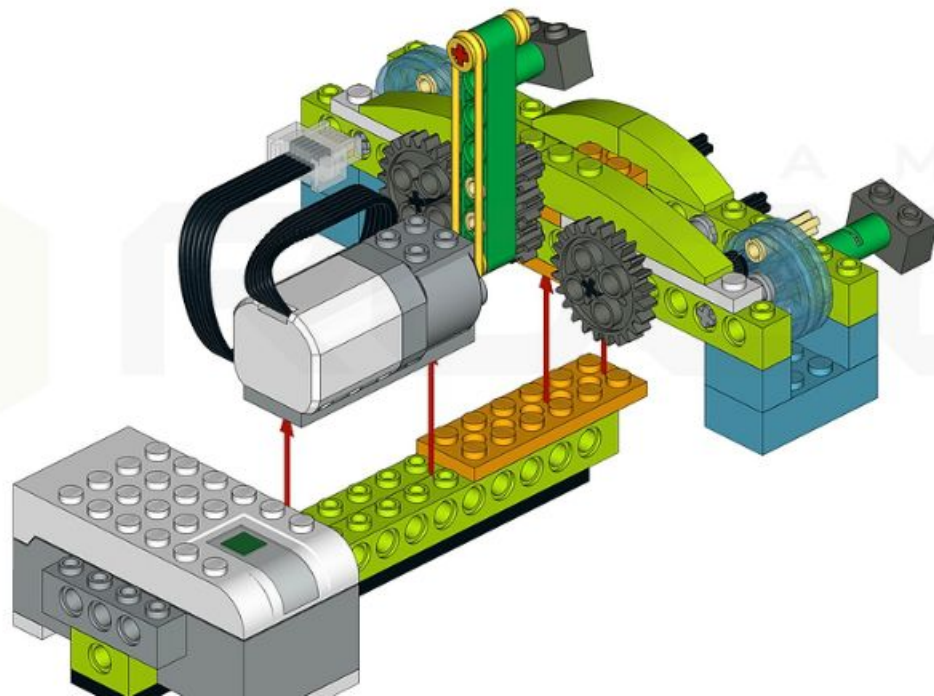
Frogs: Build (WeDo 2.0)



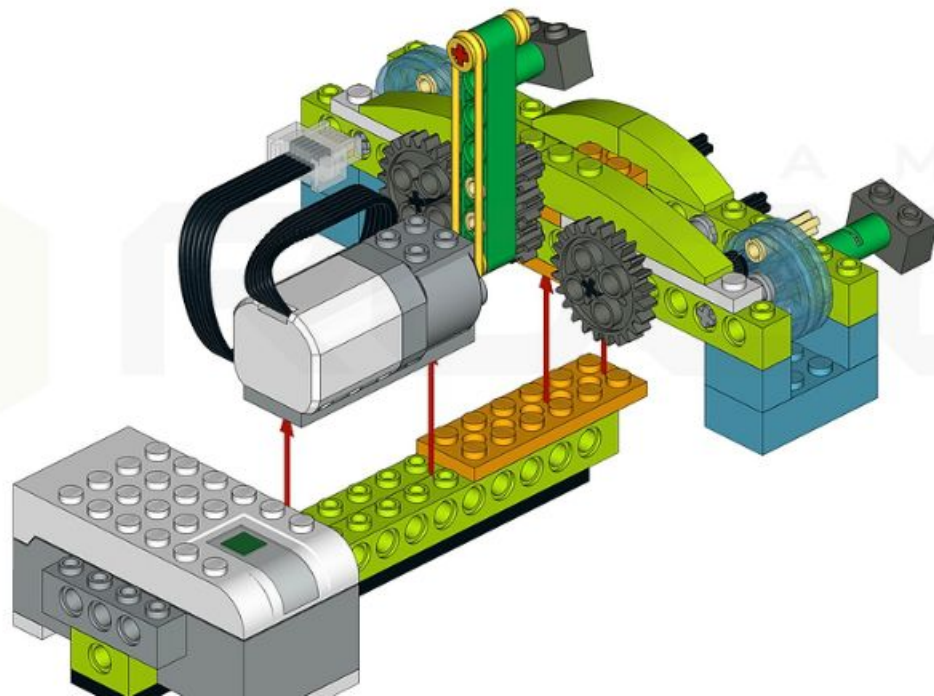
Frogs: Build (WeDo 2.0)



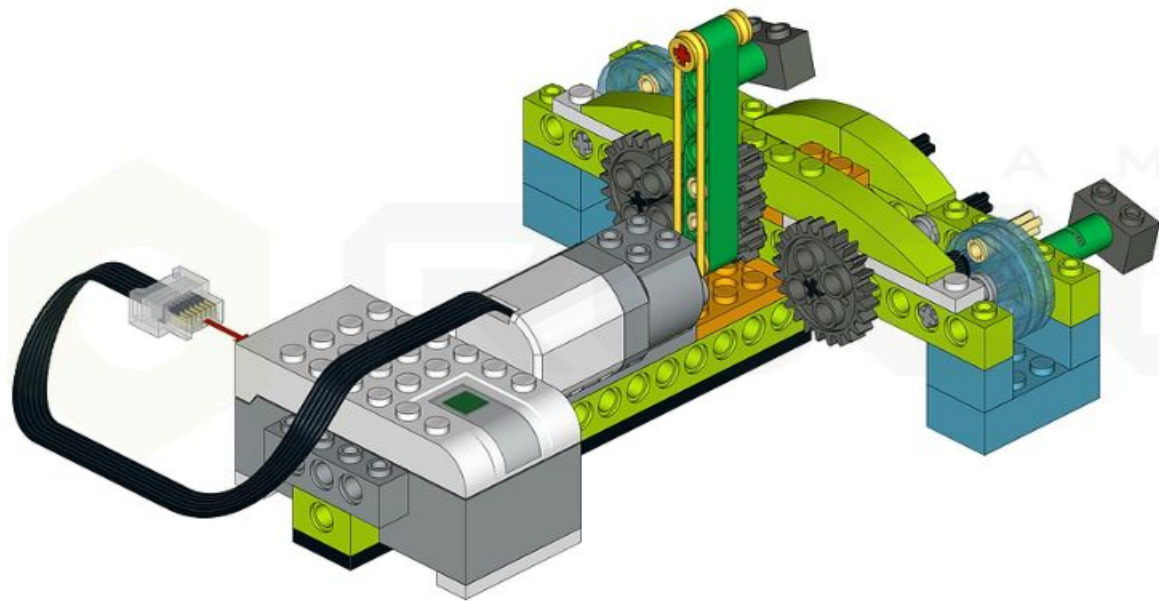
Frogs: Build (WeDo 2.0)



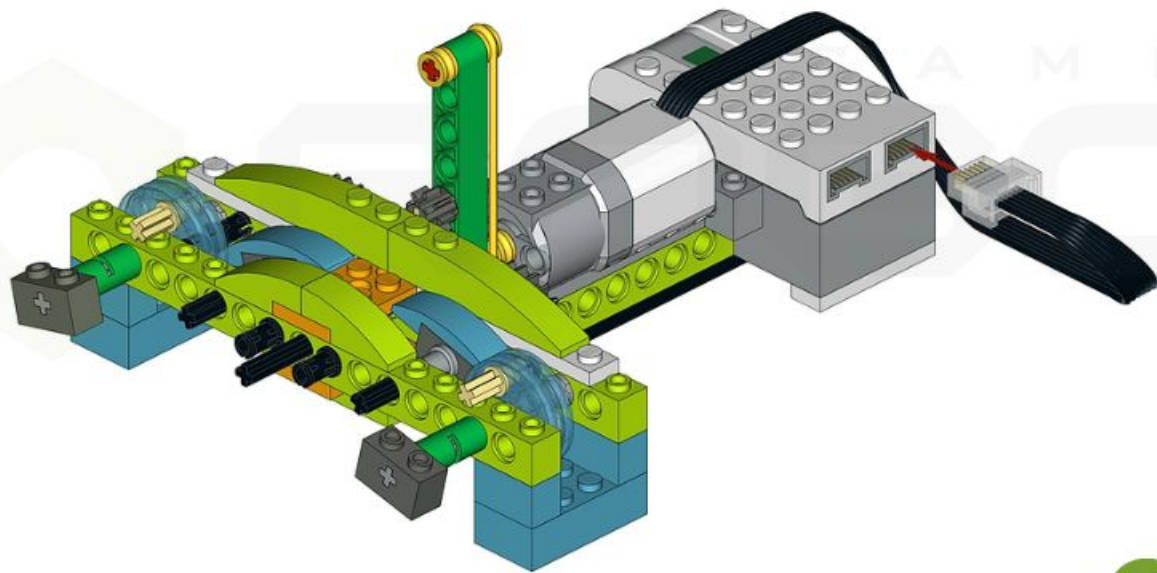
Frogs: Build (WeDo 2.0)



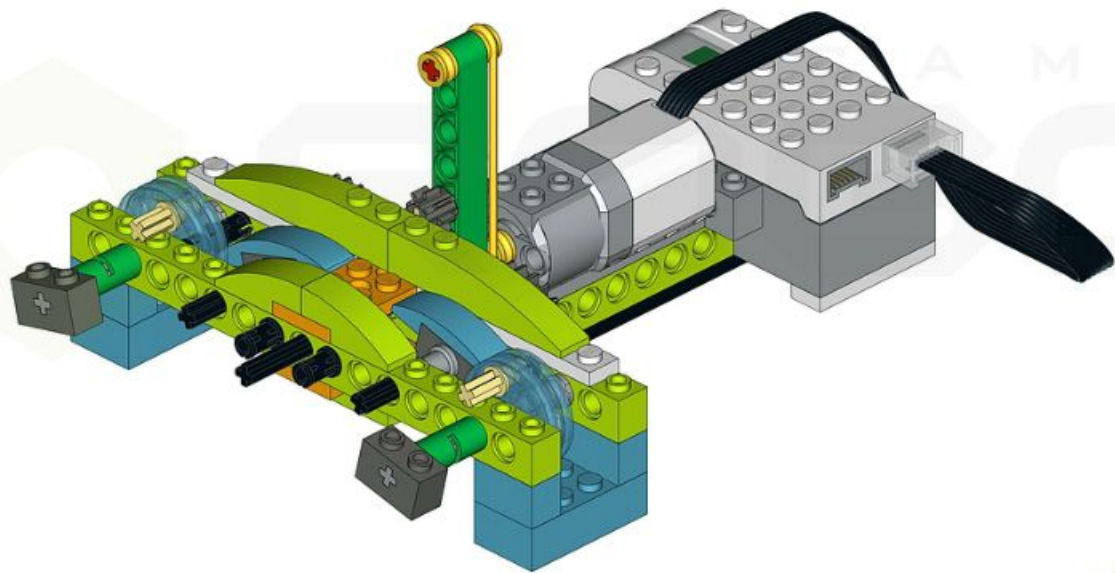
Frogs: Build (WeDo 2.0)



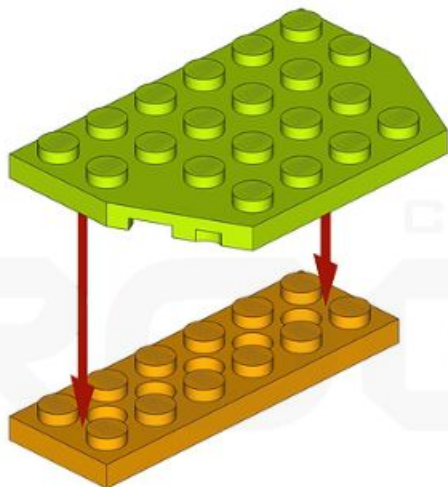
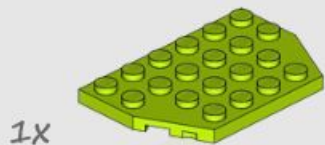
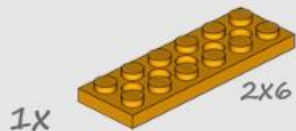
Frogs: Build (WeDo 2.0)



Frogs: Build (WeDo 2.0)



Frogs: Build (WeDo 2.0)



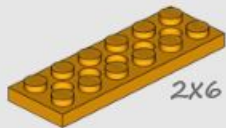
CAMP

ROBO



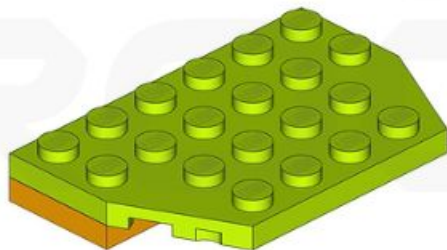
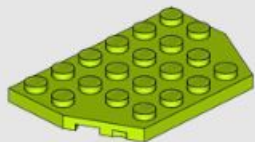
Frogs: Build (WeDo 2.0)

1x



2x6

1x

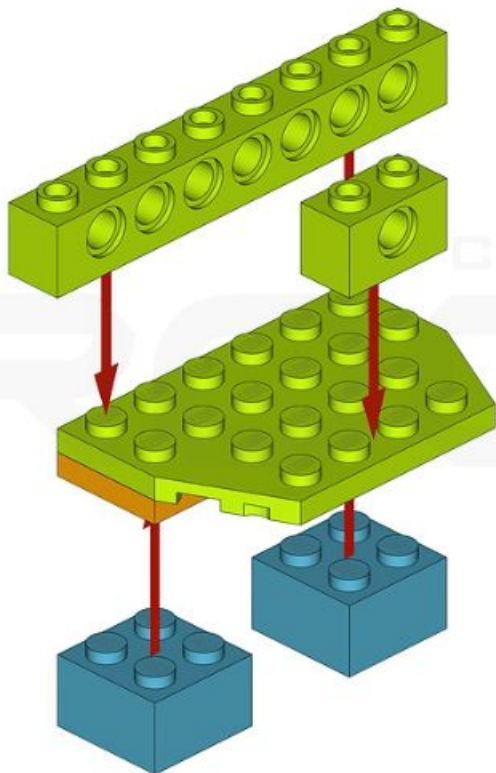
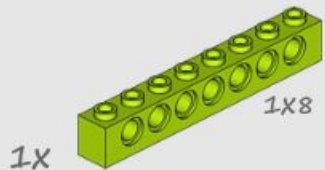


CAMP

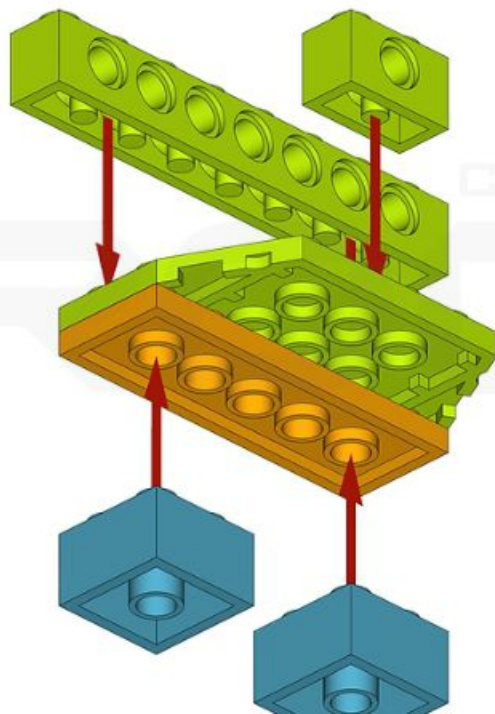
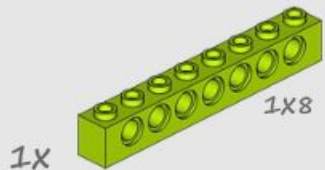
ROBO



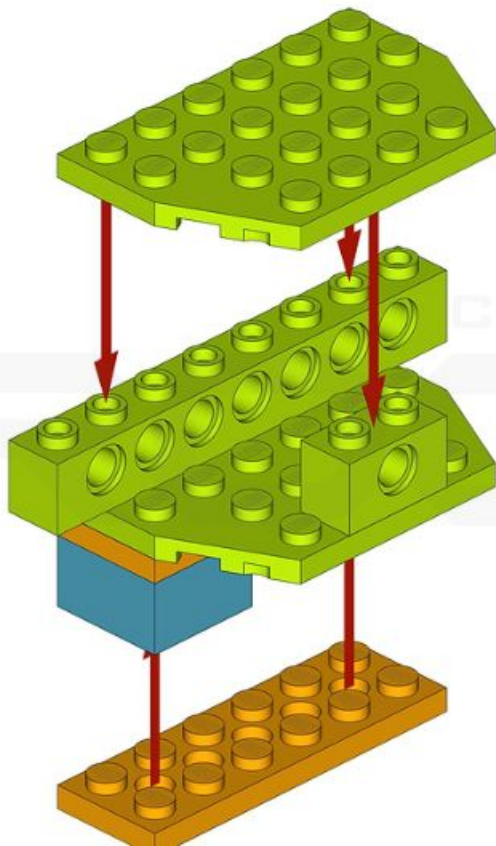
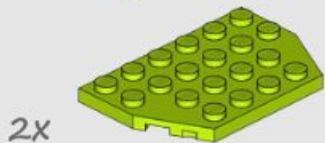
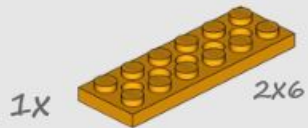
Frogs: Build (WeDo 2.0)



Frogs: Build (WeDo 2.0)

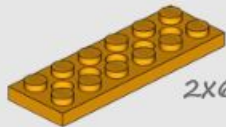


Frogs: Build (WeDo 2.0)



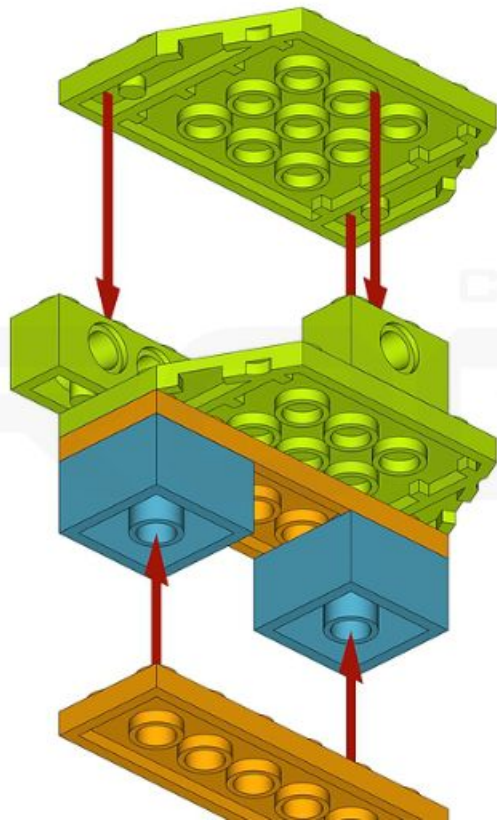
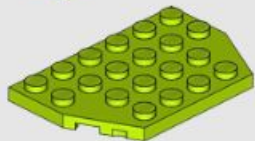
Frogs: Build (WeDo 2.0)

1X



2X6

2X



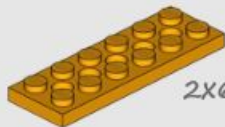
CAMP

LEGO



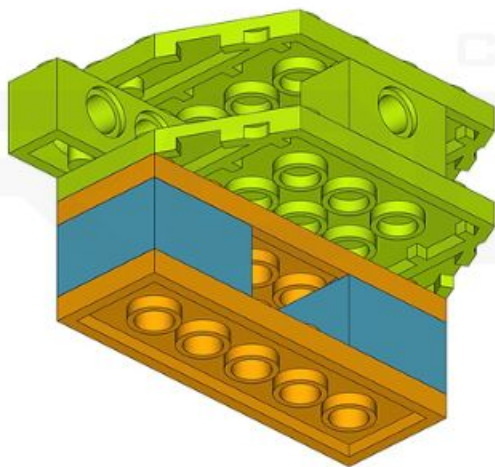
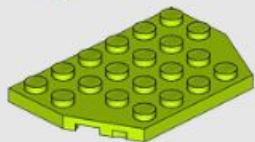
Frogs: Build (WeDo 2.0)

1X



2X6

2X



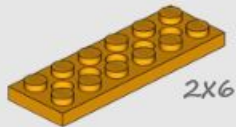
CAMP

LEGO



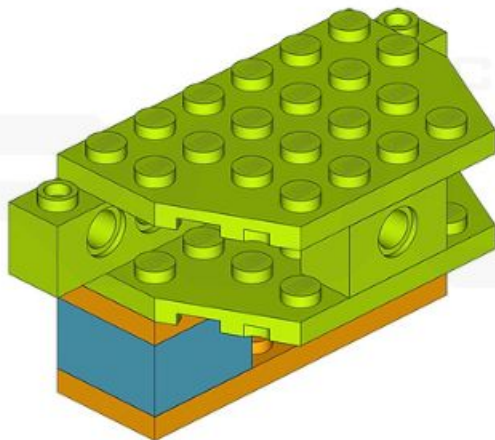
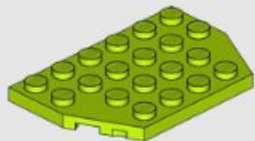
Frogs: Build (WeDo 2.0)

1X



2X6

2X

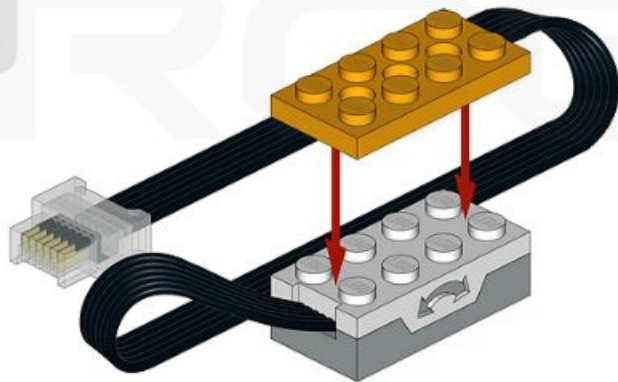
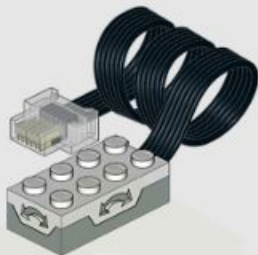


Frogs: Build (WeDo 2.0)

1X
2X4

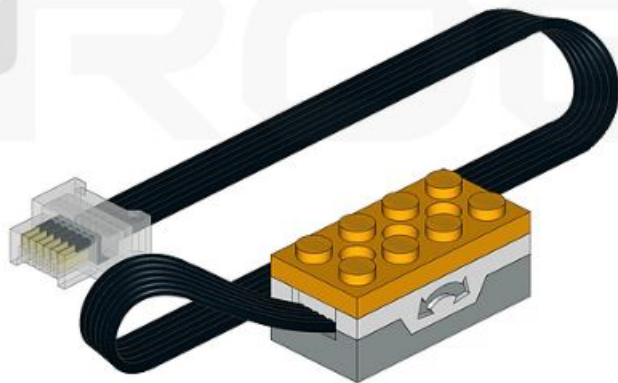
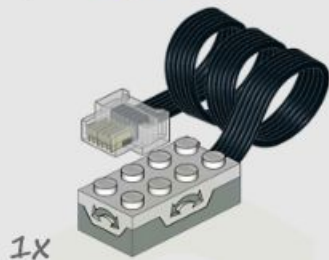


1X

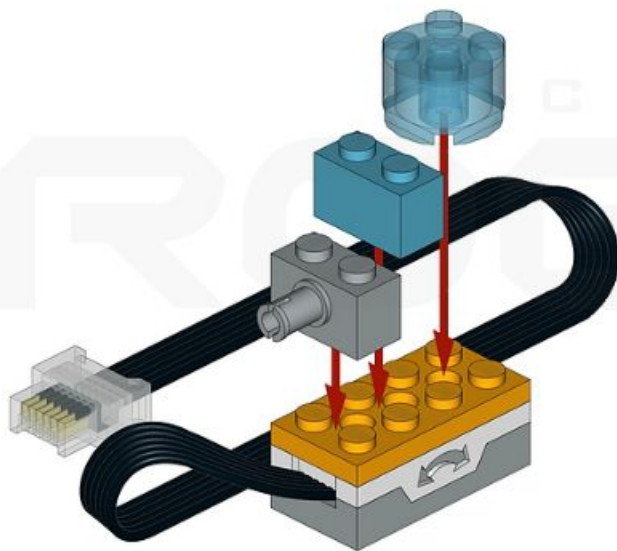


Frogs: Build (WeDo 2.0)

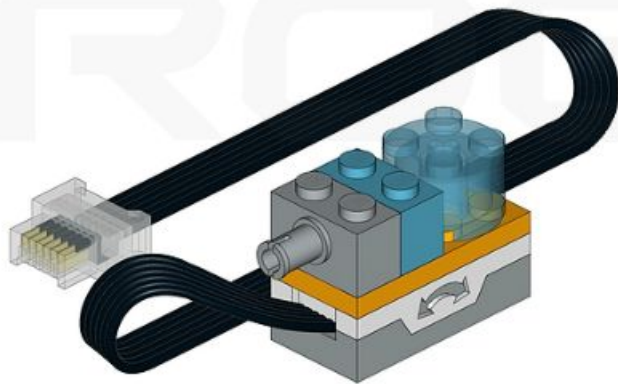
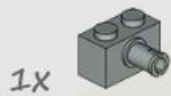
1X
2X4



Frogs: Build (WeDo 2.0)



Frogs: Build (WeDo 2.0)

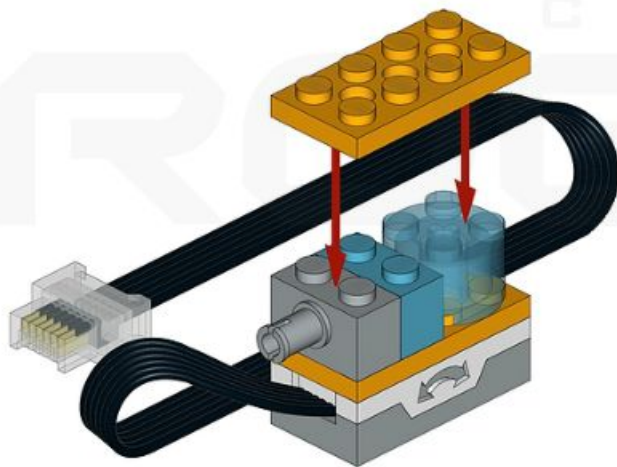


Frogs: Build (WeDo 2.0)

1x



2x4

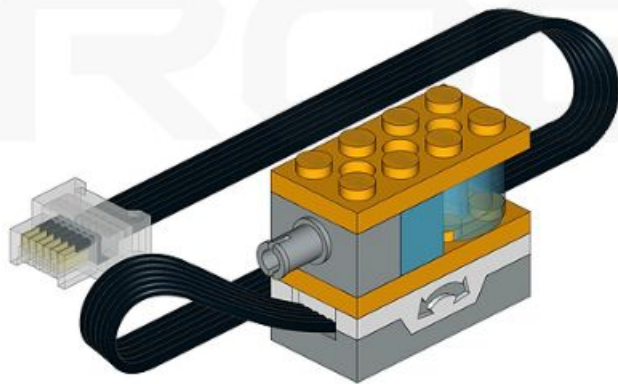


Frogs: Build (WeDo 2.0)

1x



2x4



CAMP

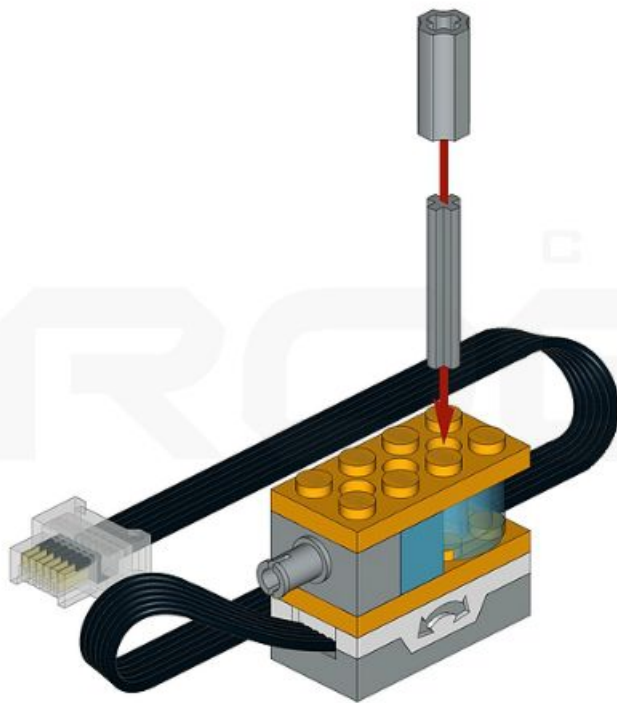
ROBO



Frogs: Build (WeDo 2.0)

1X 3

1X



CAMP

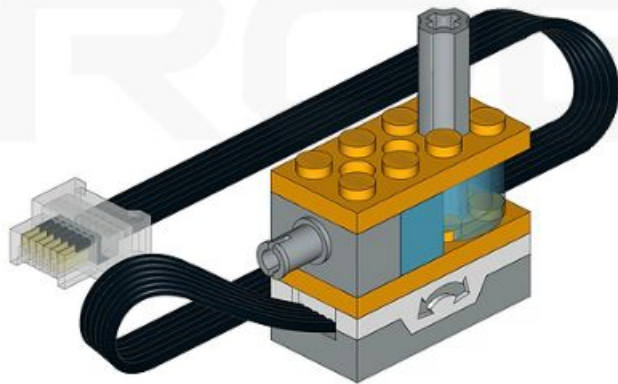
ROBO



Frogs: Build (WeDo 2.0)

1X  3

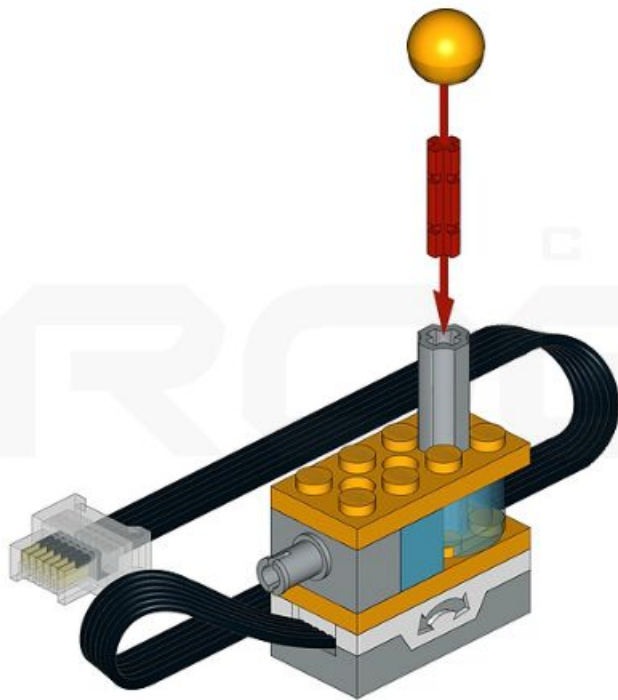
1X 



Frogs: Build (WeDo 2.0)

1x 

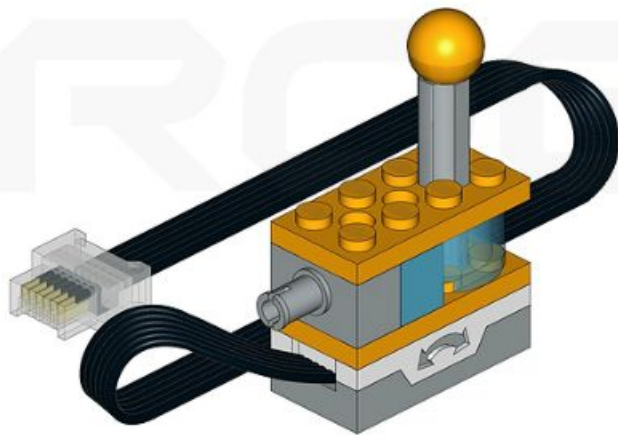
1x 



Frogs: Build (WeDo 2.0)

1x 

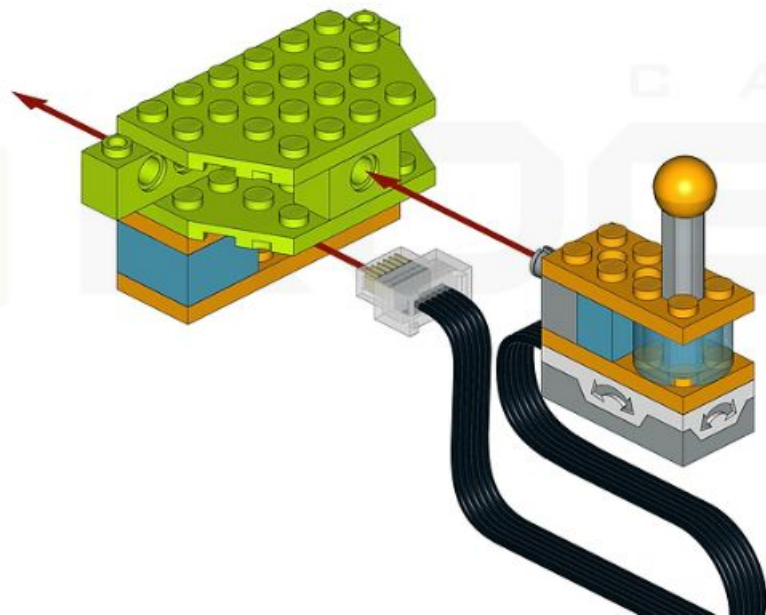
1x 



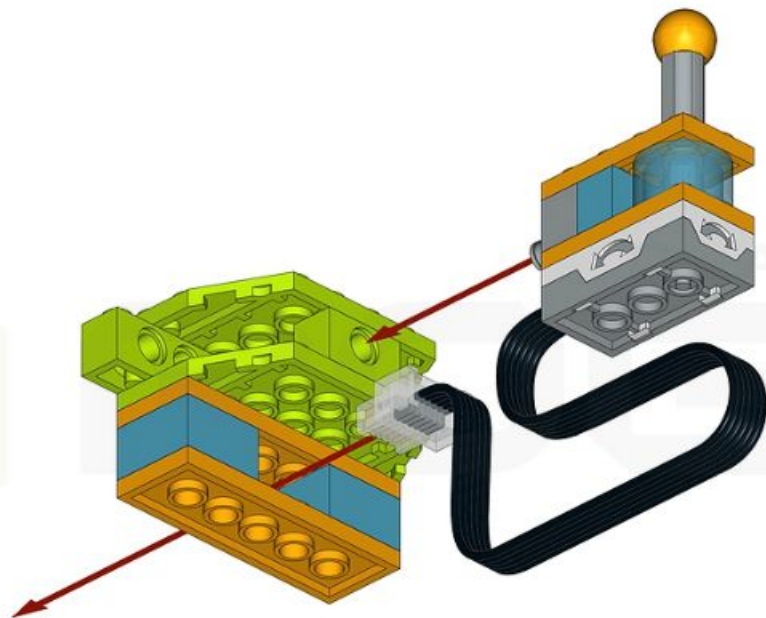
CAMP

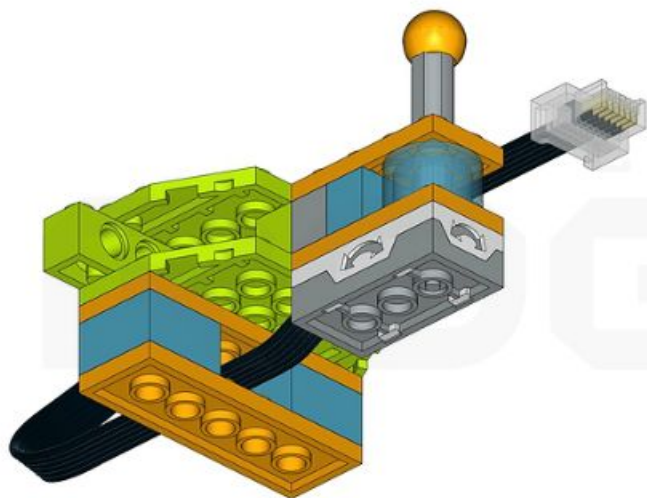
ROBO



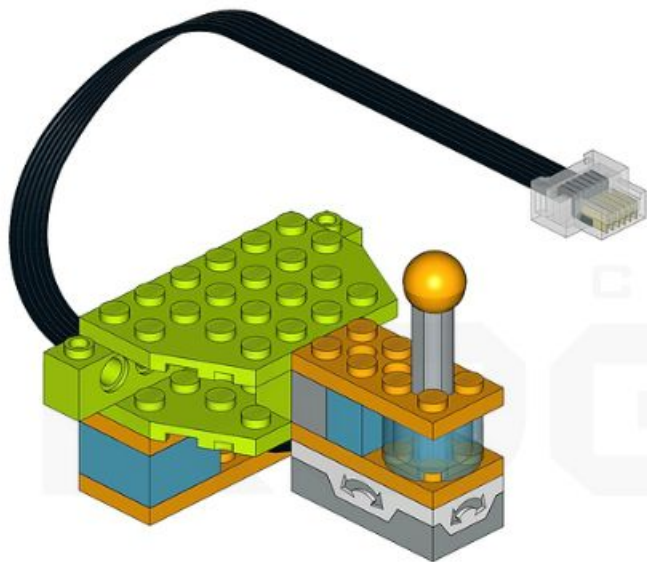


Frogs: Build (WeDo 2.0)

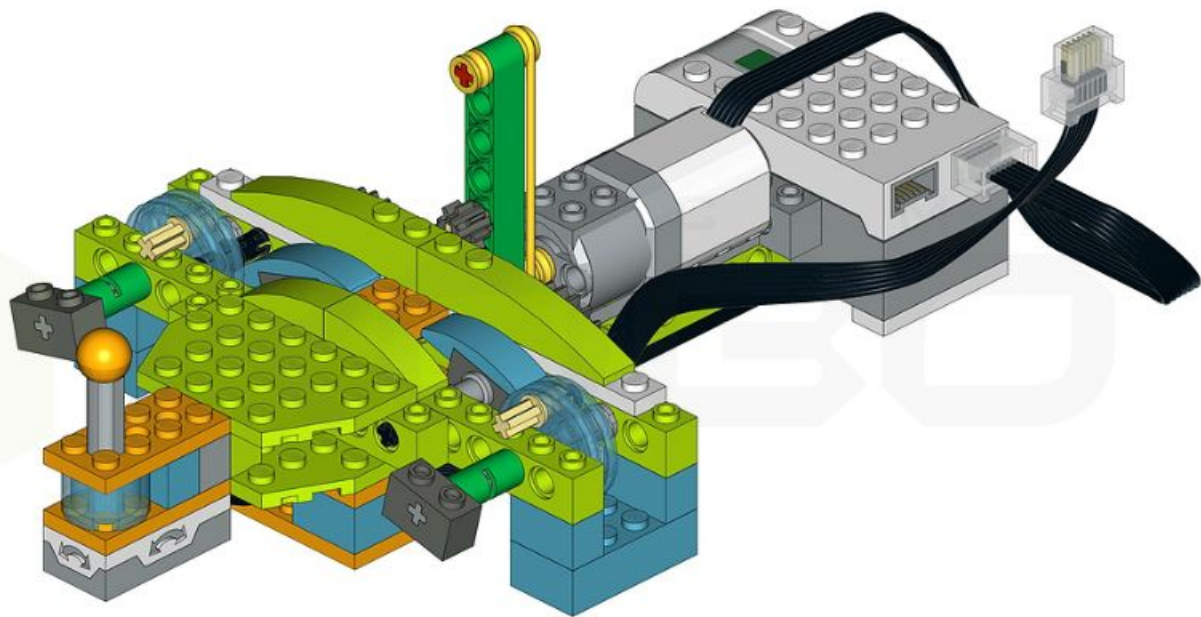




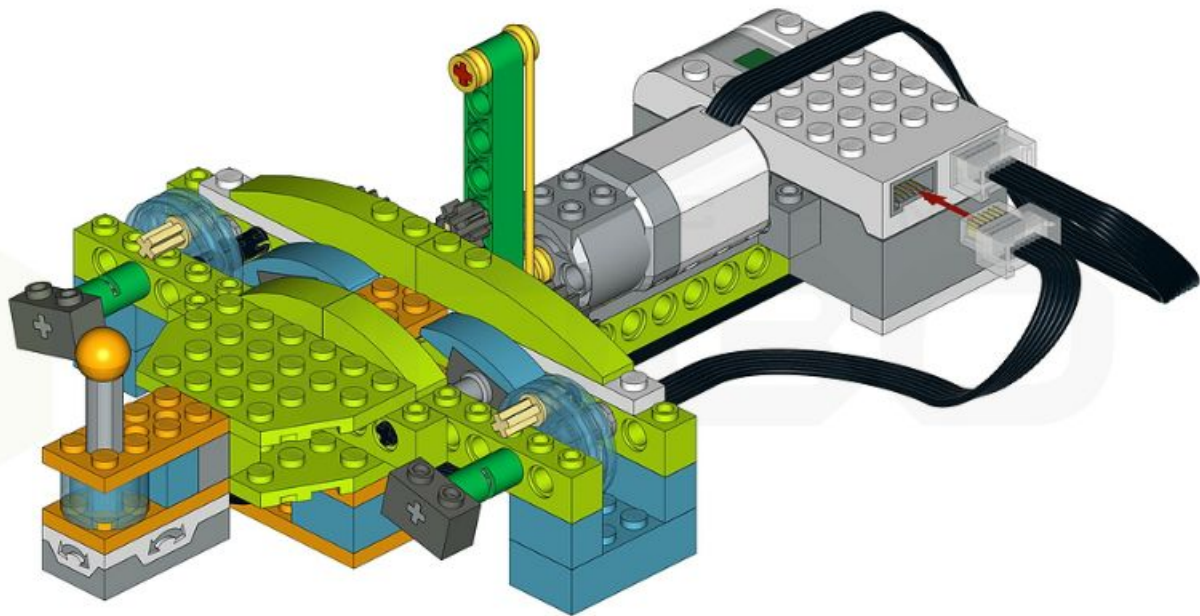
Frogs: Build (WeDo 2.0)



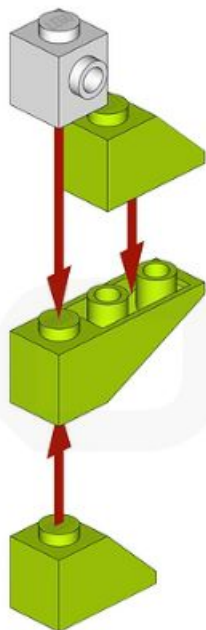
Frogs: Build (WeDo 2.0)



Frogs: Build (WeDo 2.0)



Frogs: Build (WeDo 2.0)

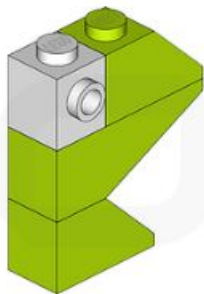


CAMP

ROBO



Frogs: Build (WeDo 2.0)



CAMP

ROBO

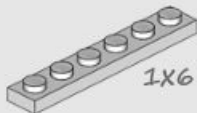


Frogs: Build (WeDo 2.0)

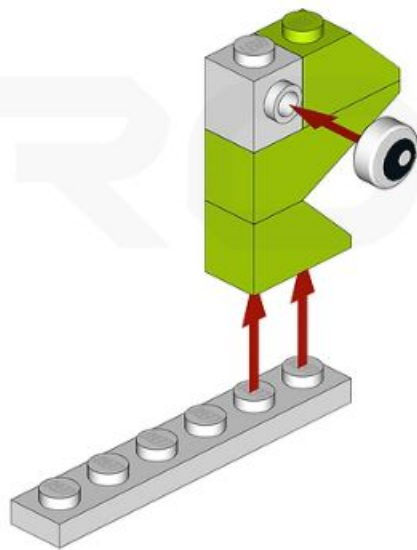
1X



1X



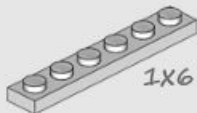
1X6



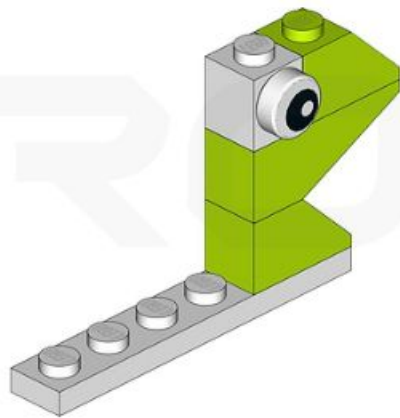
1X



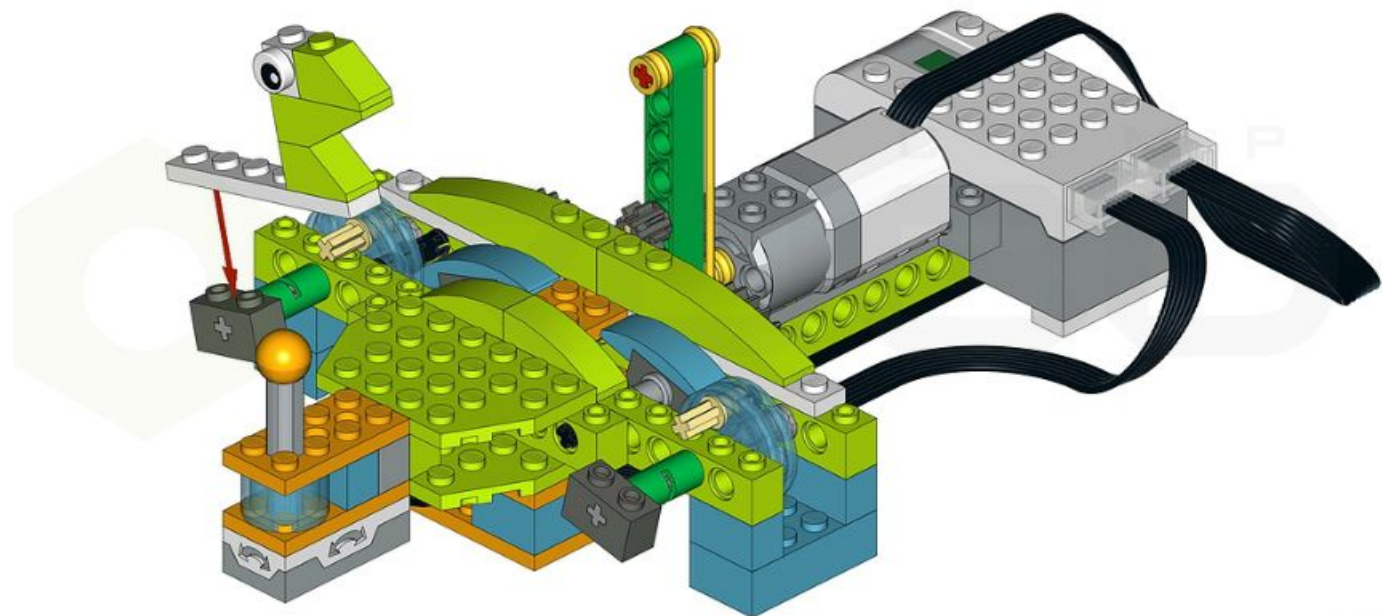
1X



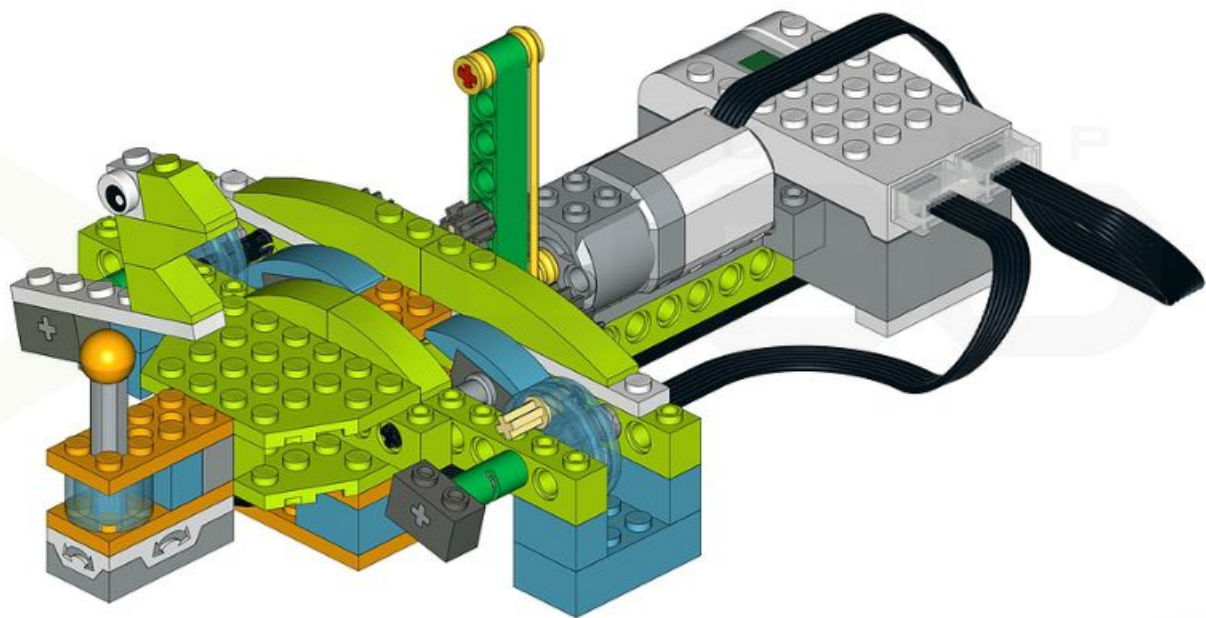
1X6



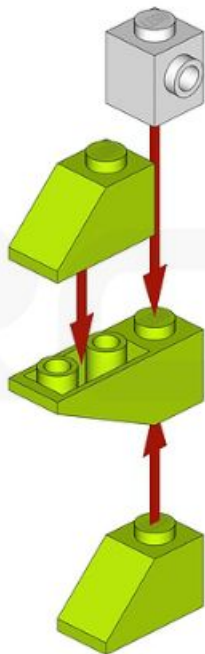
Frogs: Build (WeDo 2.0)

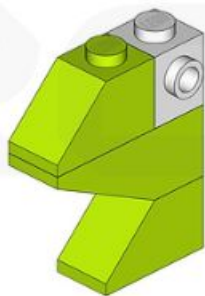


Frogs: Build (WeDo 2.0)



Frogs: Build (WeDo 2.0)





CAMP

ROBO

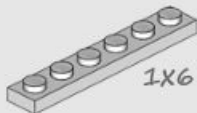


Frogs: Build (WeDo 2.0)

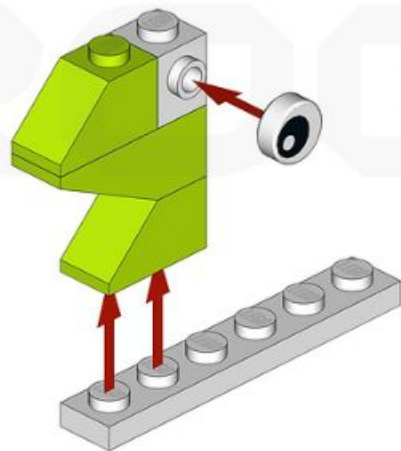
1X



1X



1X6



CAMP

ROBO

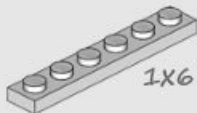


Frogs: Build (WeDo 2.0)

1X



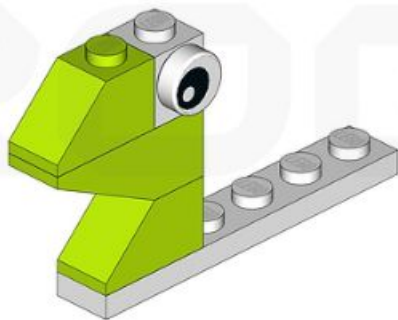
1X



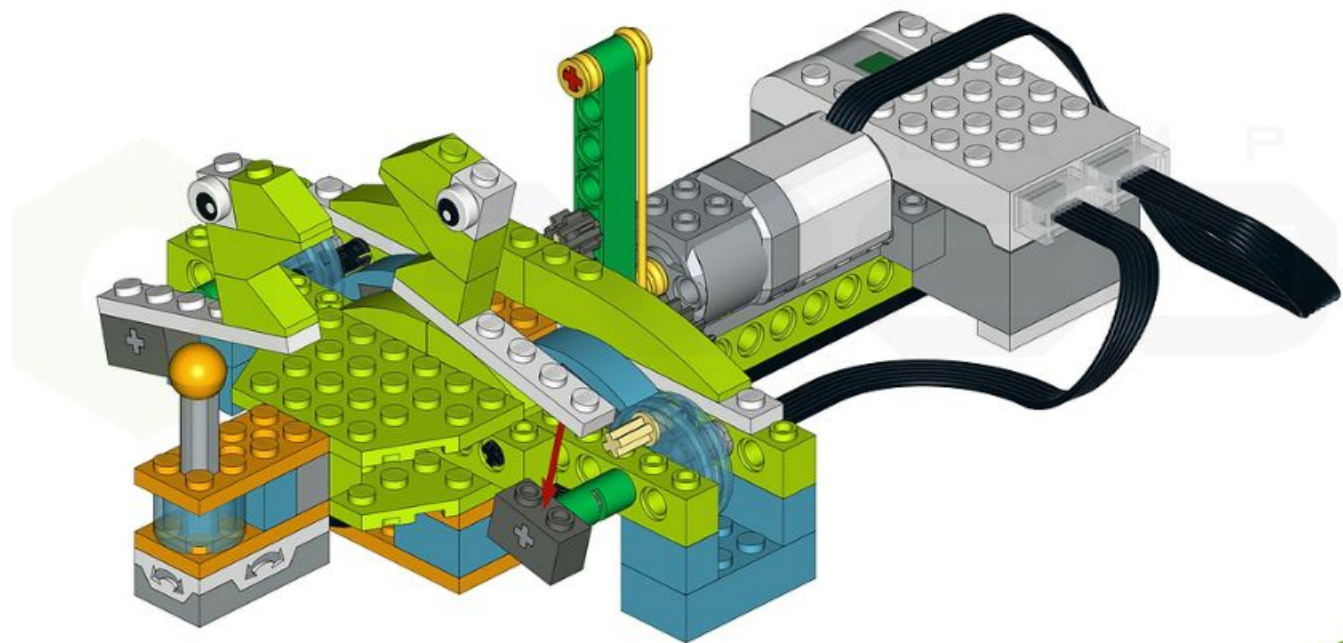
1X6



CAMP
ROBO



Frogs: Build (WeDo 2.0)



Frogs: Build (WeDo 2.0)

