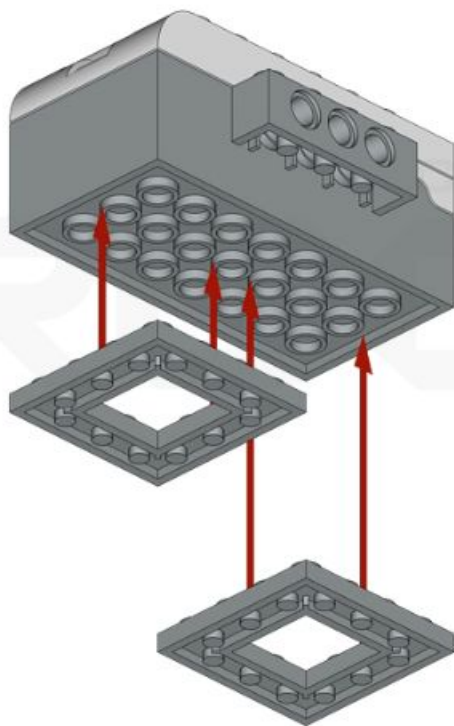
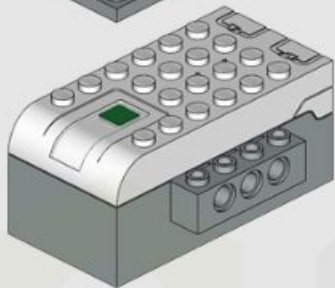


2x



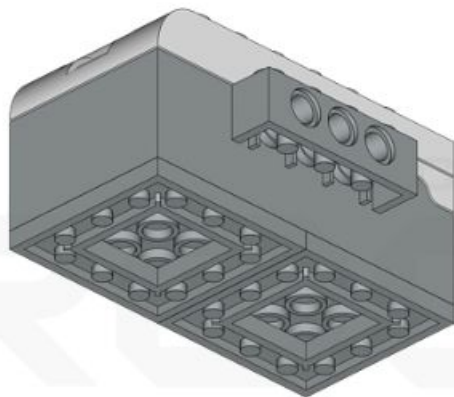
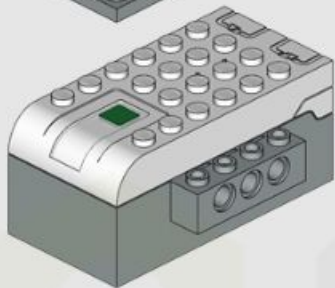
1x



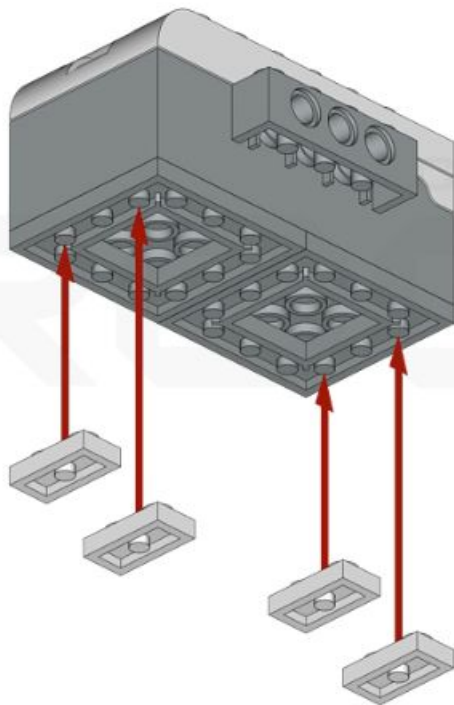
2x



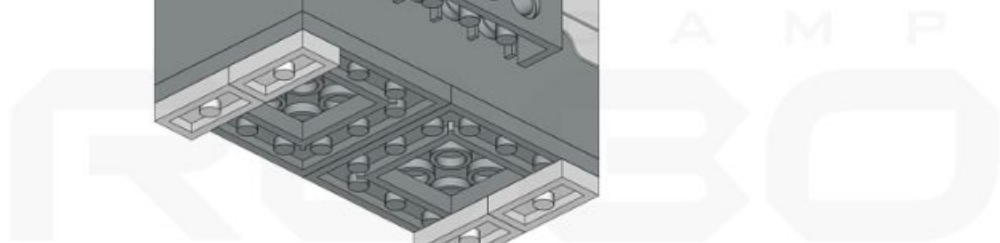
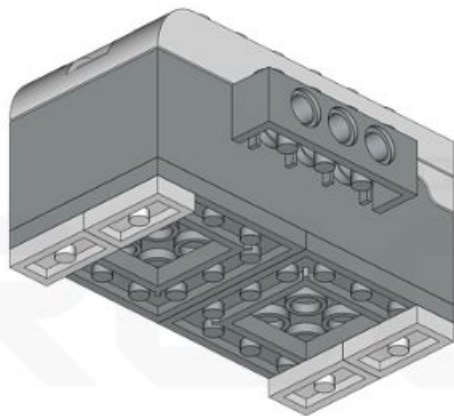
1x



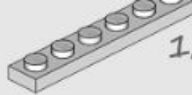
4X 1X2



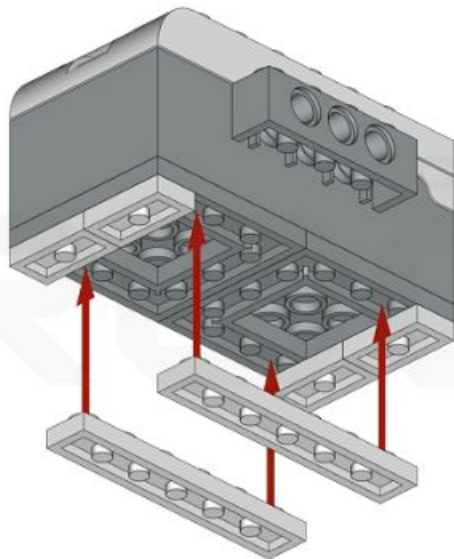
4X 1X2



2x



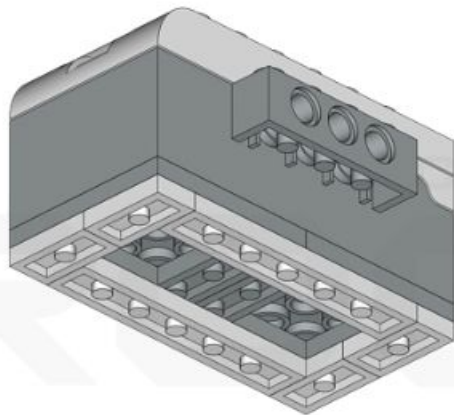
1x6



2x



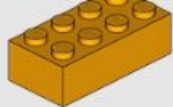
1x6



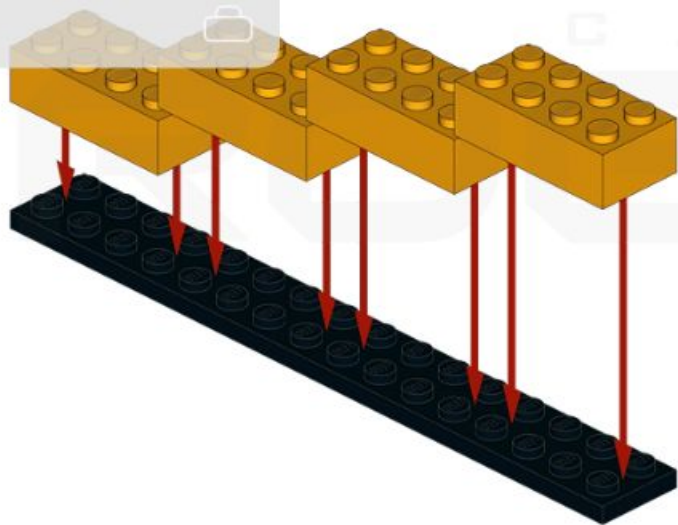
AMP  
LEGO



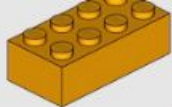
4x



1x



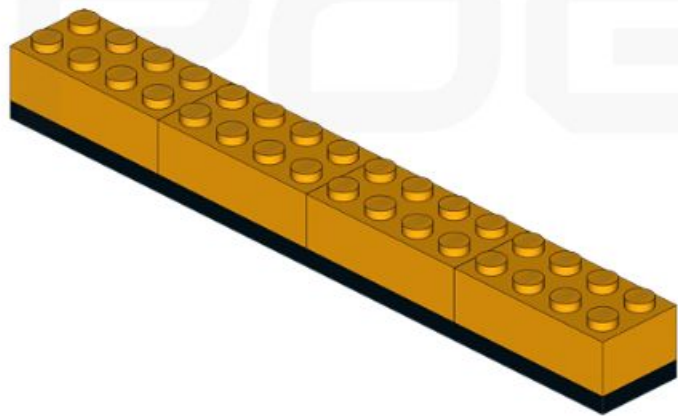
4x



1x

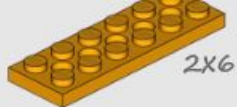


CAMP

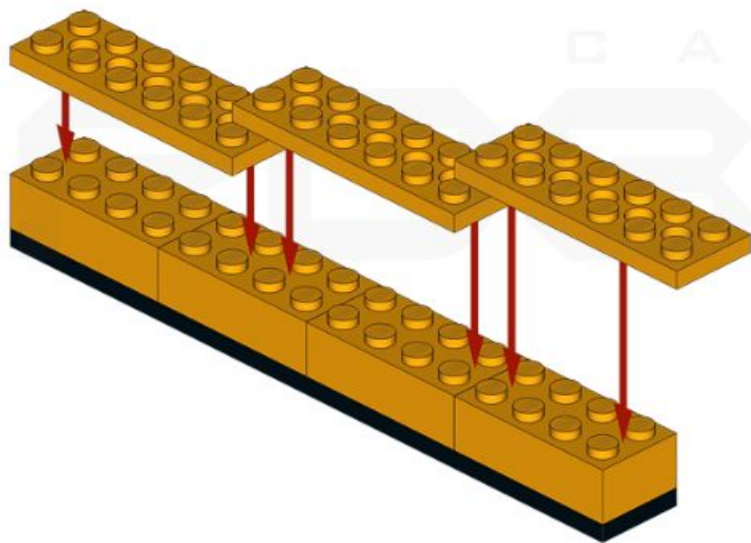




3X



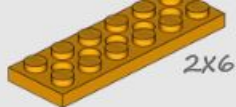
2x6



CAMP



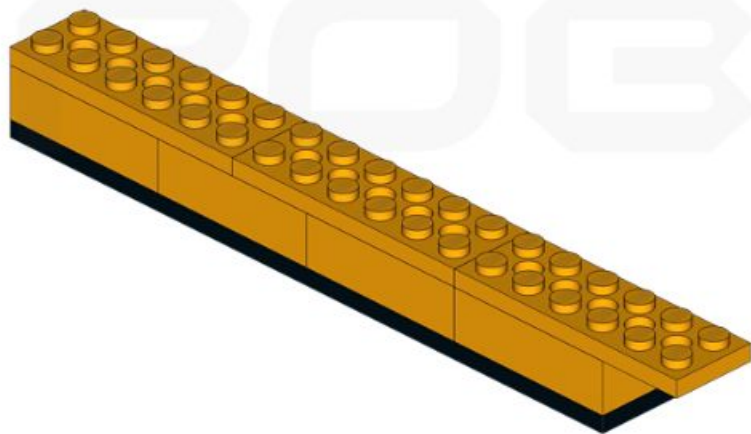
3X



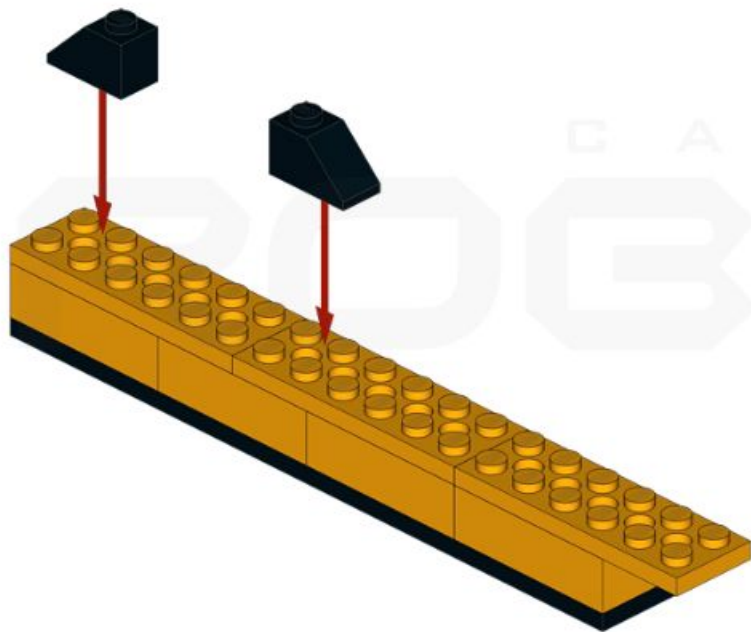
2x6



CAMP



2x



CAMP

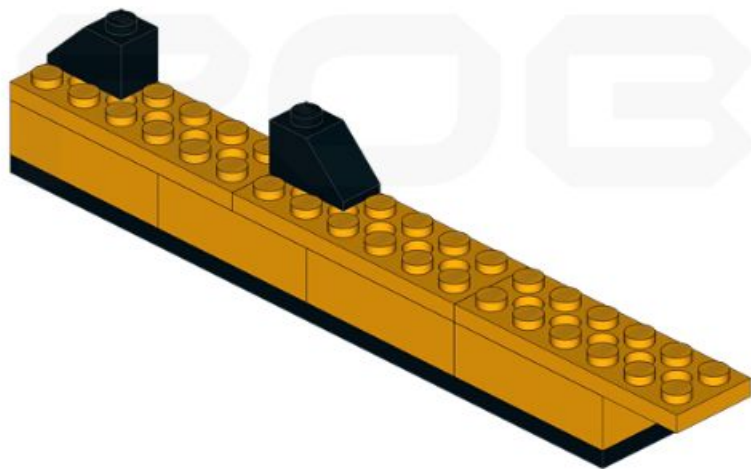
ROBO

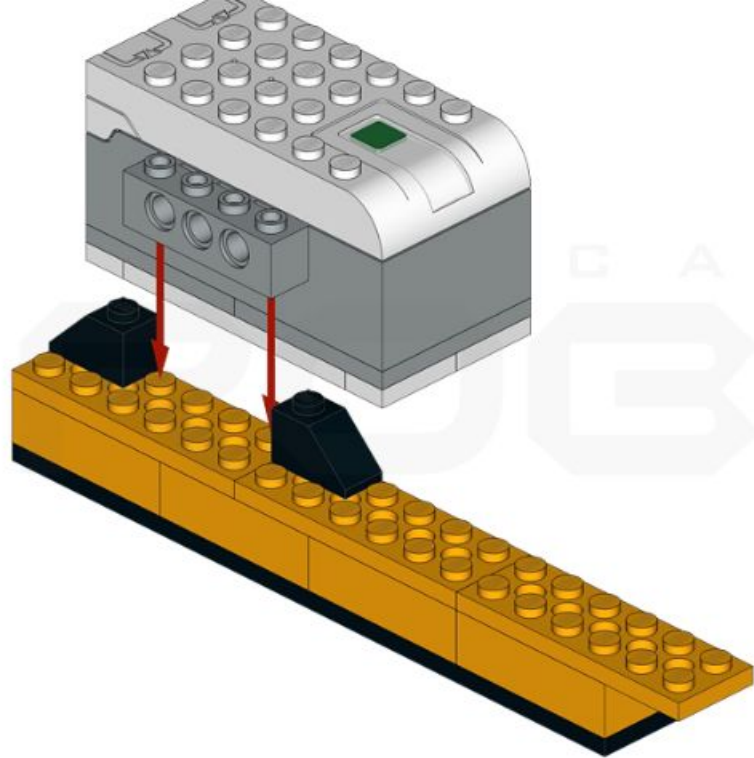


2x



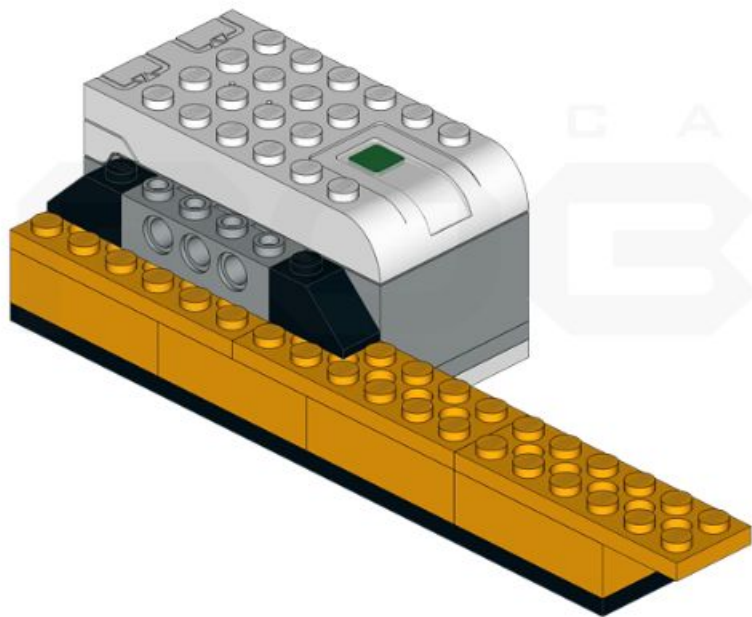
CAMP





CAMP

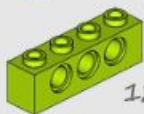
GO



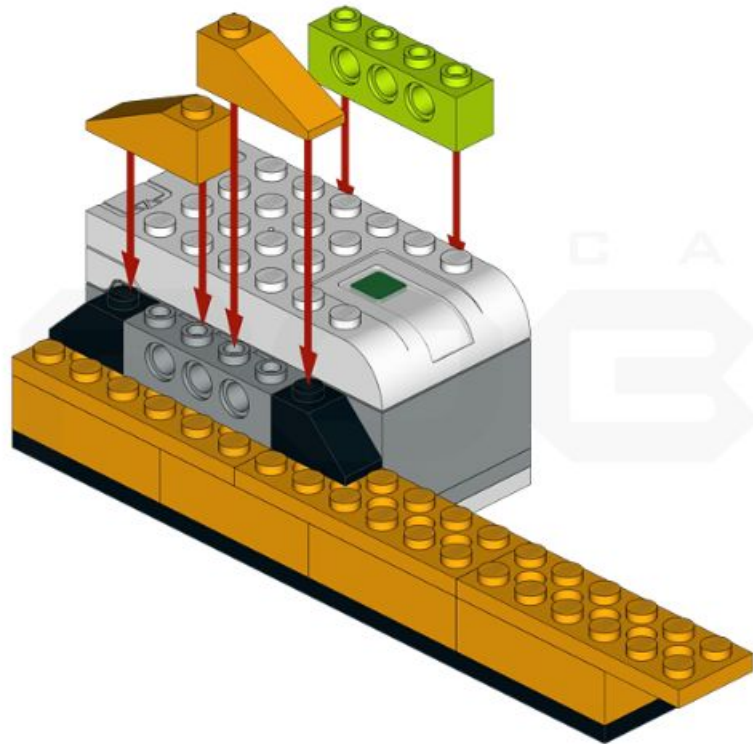
2X



1X



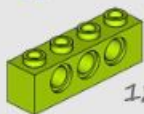
1x4



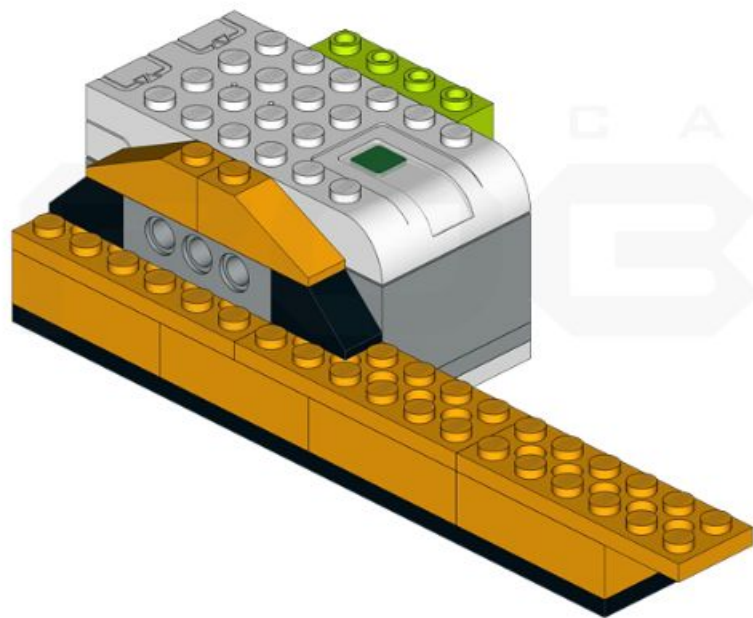
2x



1x



1x4



CAMP

GO



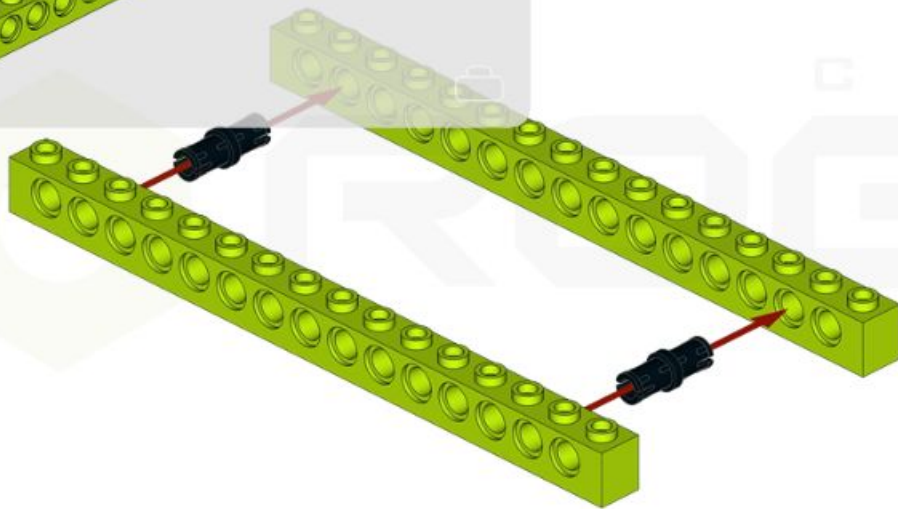
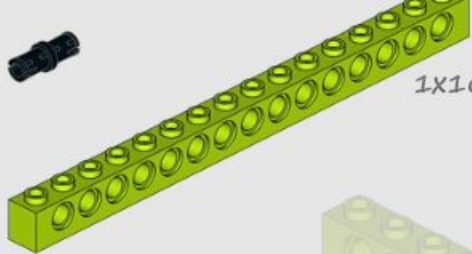


2x



1x16

2x



CAMP

ROBO

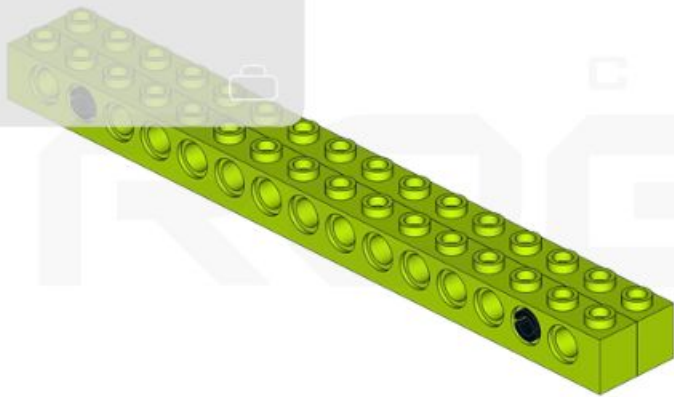
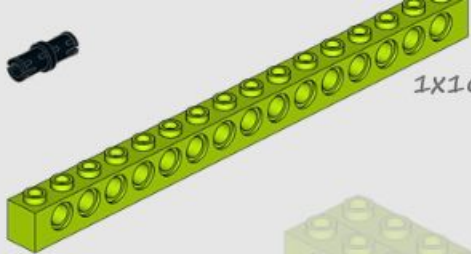


2x



1x16

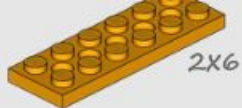
2x



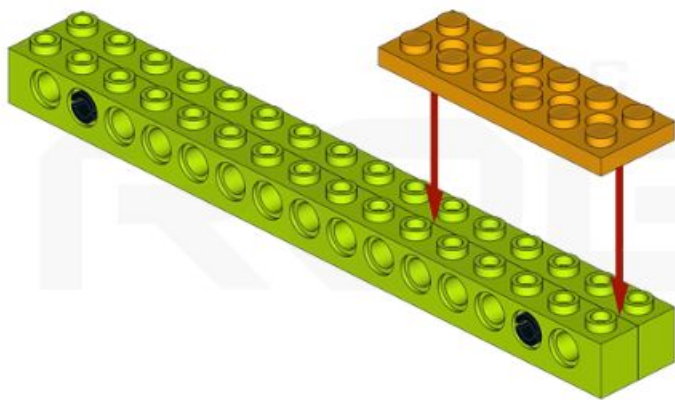
CAMP



1x



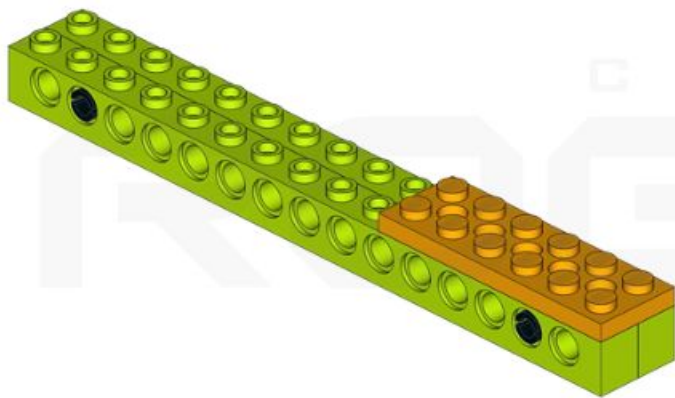
2x6



1x



2x6



CAMP

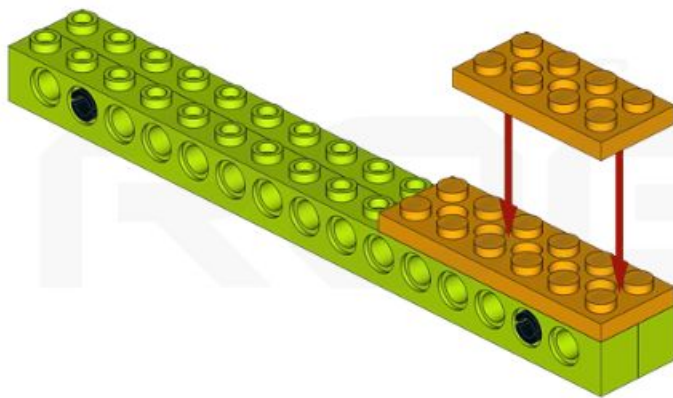
ROBO



1X



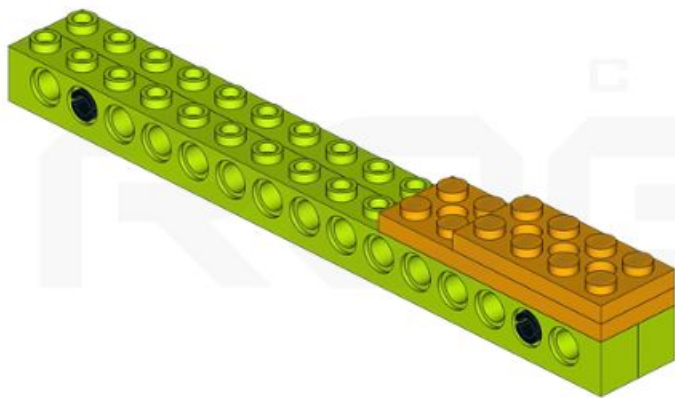
2X4



1x



2x4



CAMP

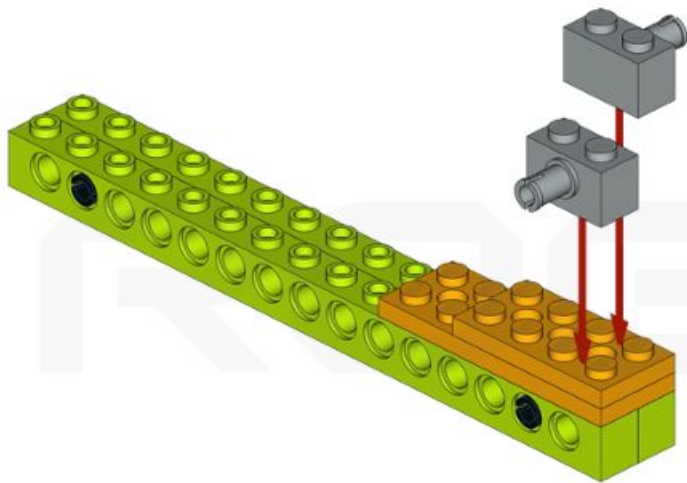
ROBO



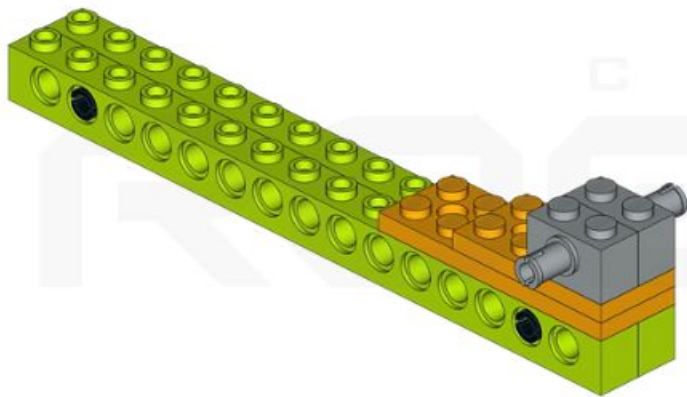
13 / 39



2x



2x

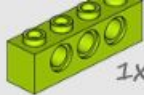


CAMP

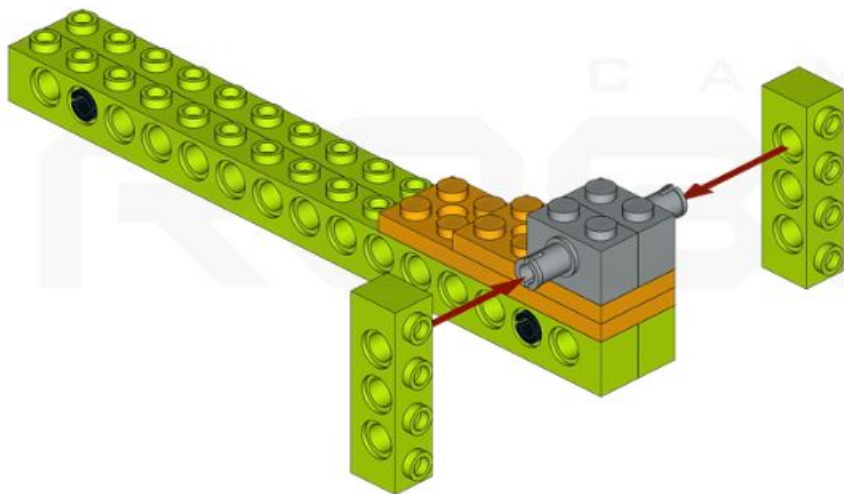




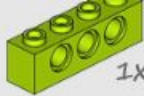
2x



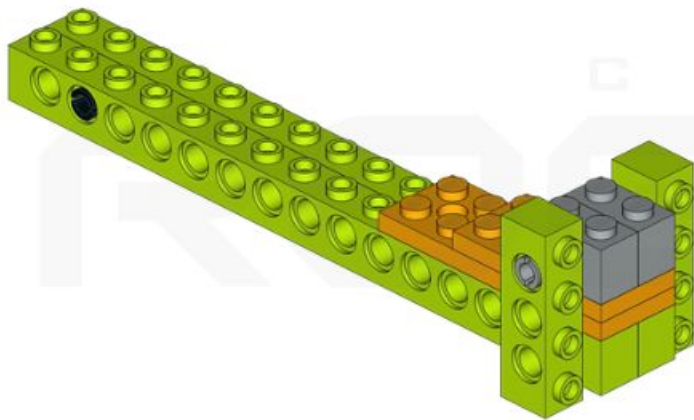
1x4



2x



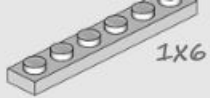
1x4



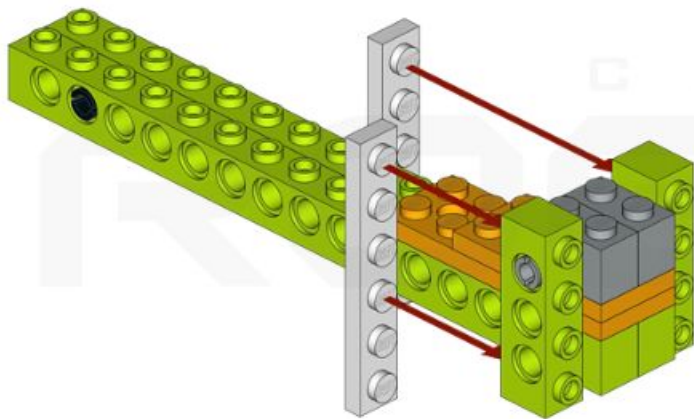
CAMP



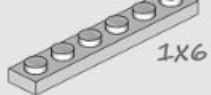
2x



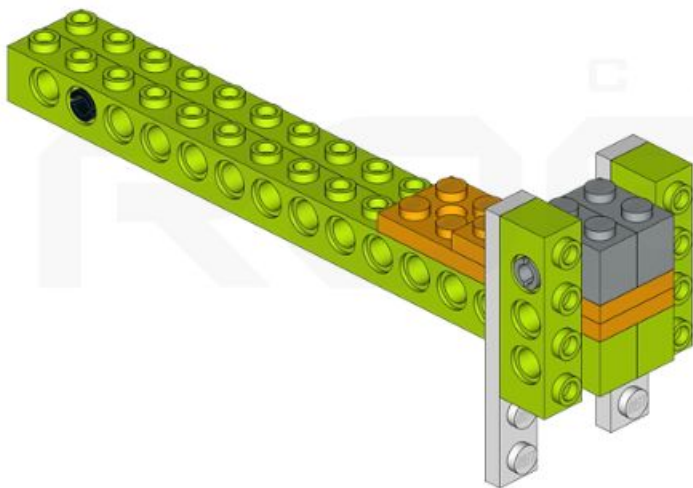
1x6



2x



1x6



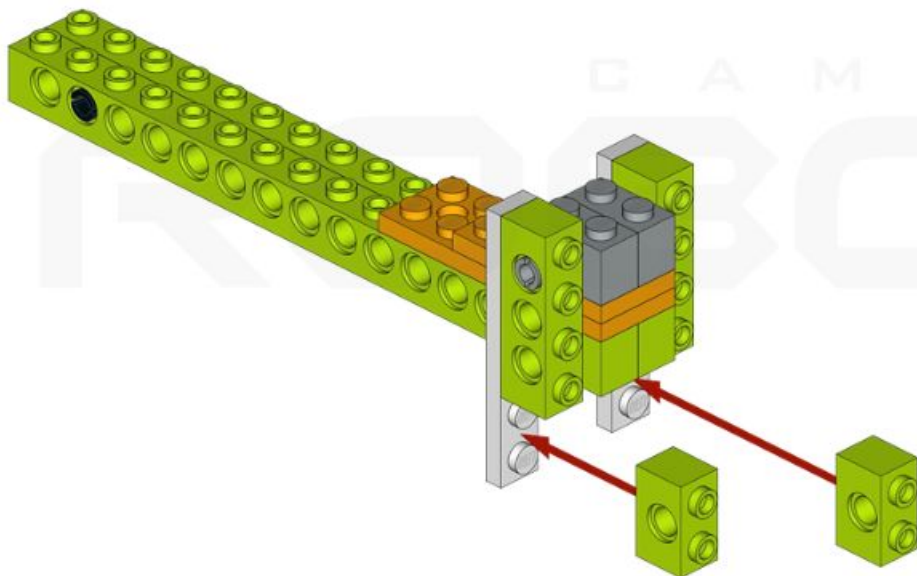
CAMP



2X



1x2



CAMP

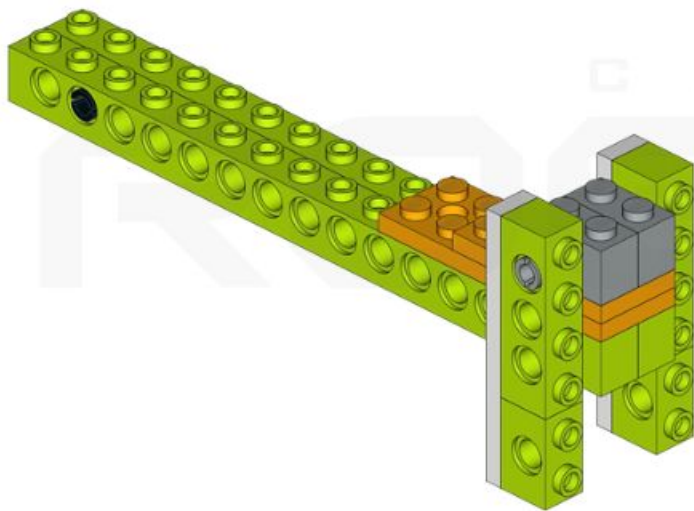
ROBO



2X



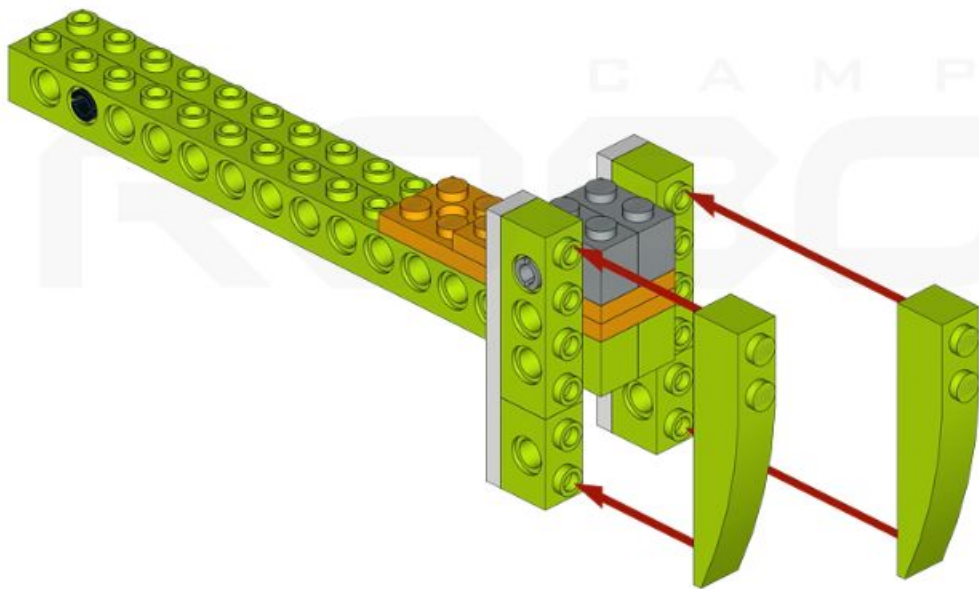
1x2



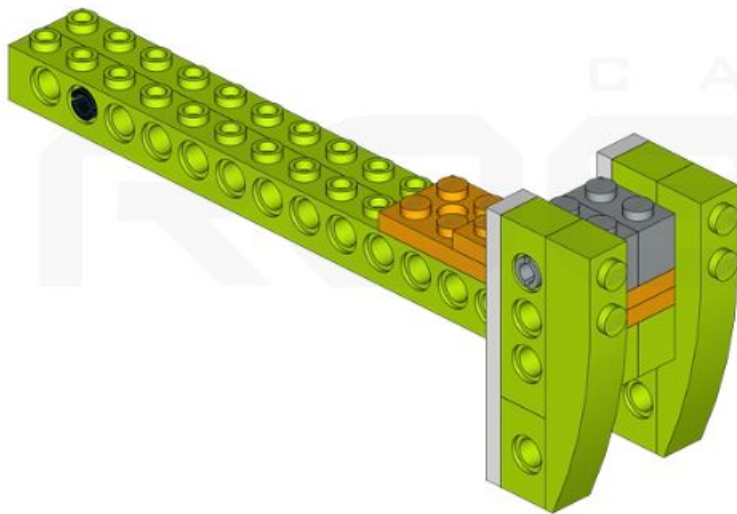
CAMP



2x



2x





2X

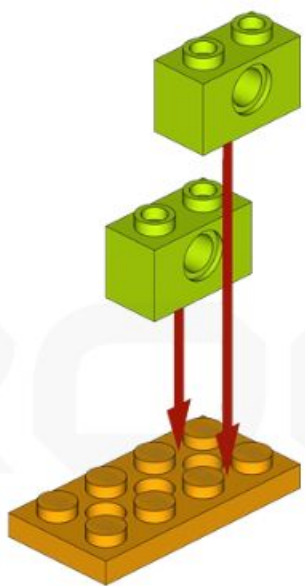


1X2

1X



2X4



ROBO CAMP



2X

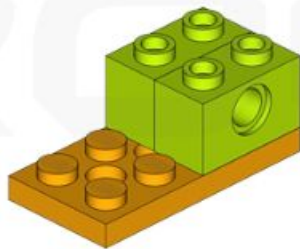


1X2

1X



2X4



CAMP

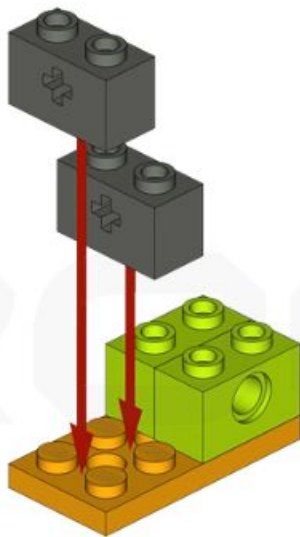
ROBO



19 / 39



2x



CAMP

ROBO



20 / 39



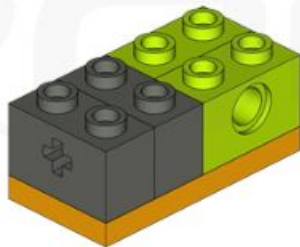
2x



CAMP



ROBO



20 / 39

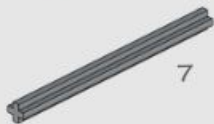


1X

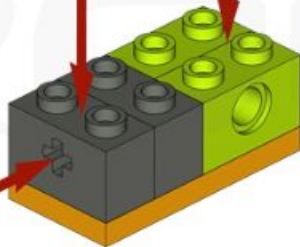
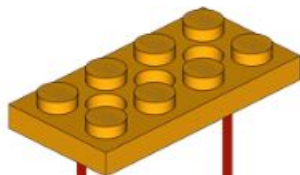


2X4

1X



7



CAMP

ROBO

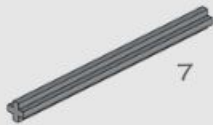


1X

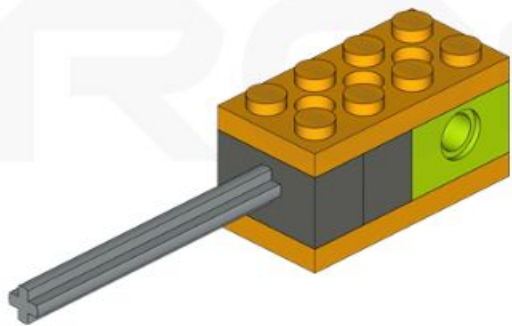


2X4

1X



7



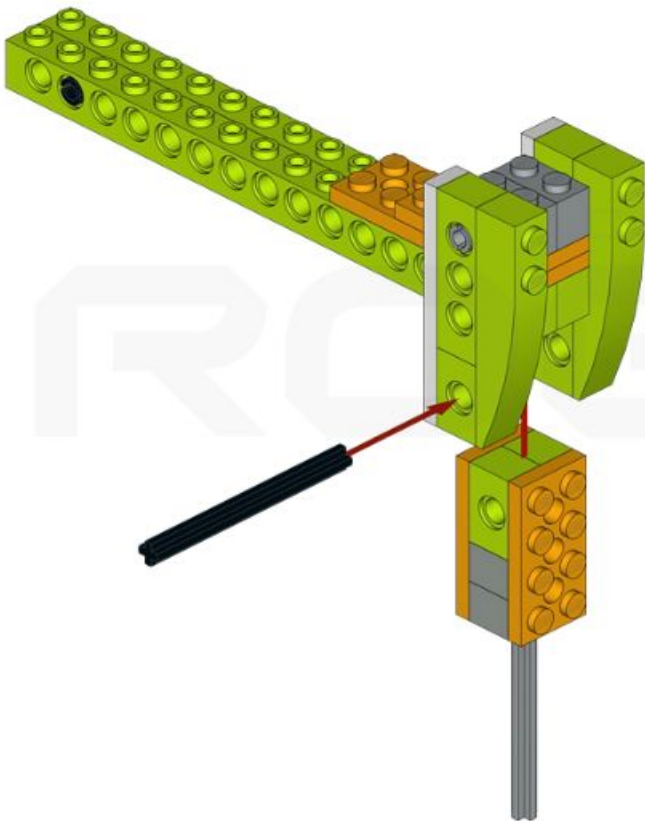
CAMP

ROBO



1x

6



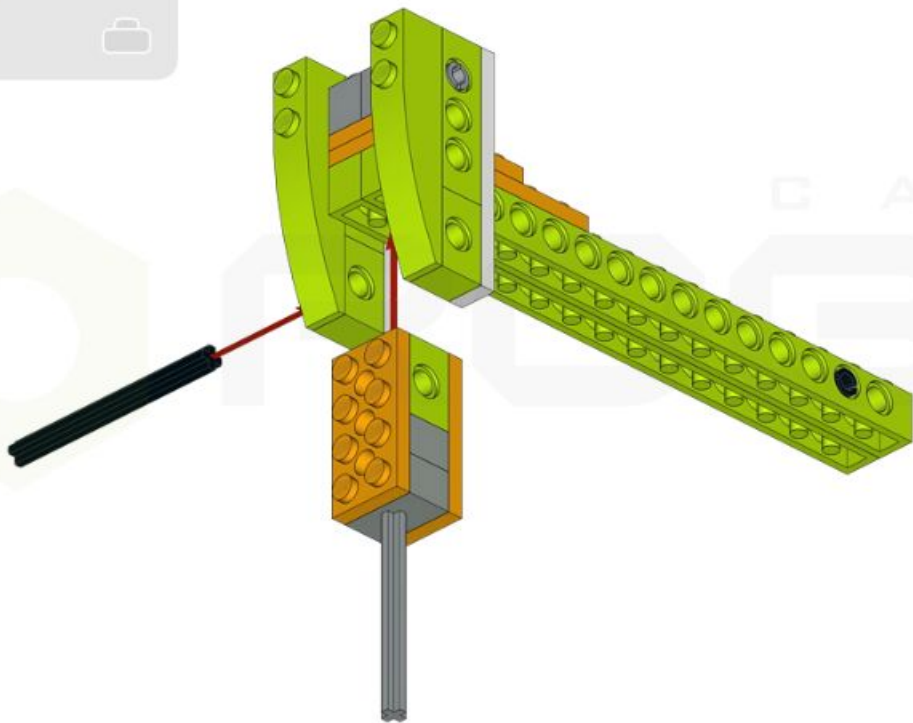
A M P

ROBO



1x

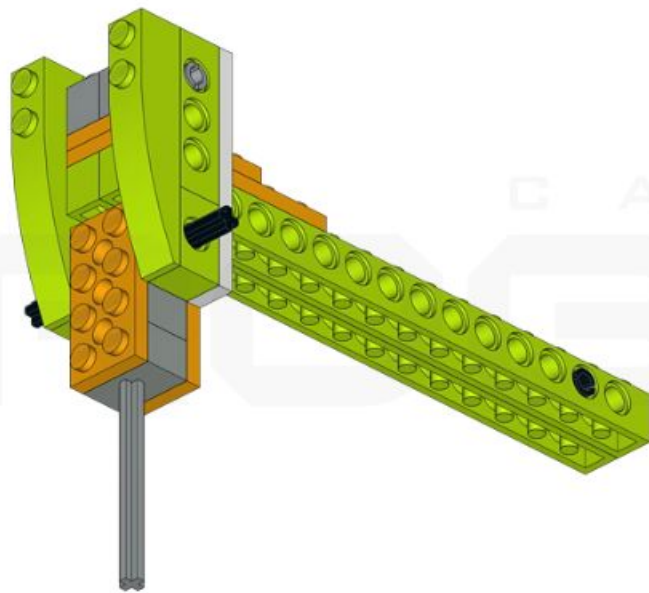
6





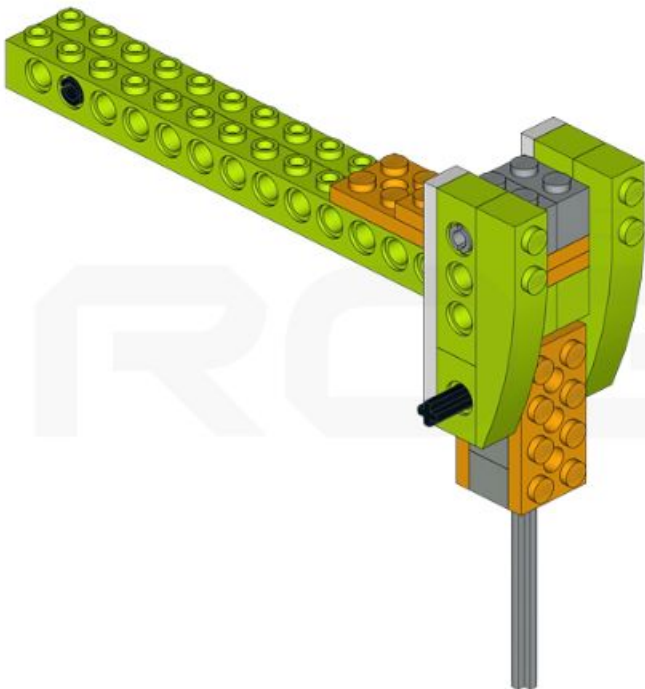
1x

6



1x

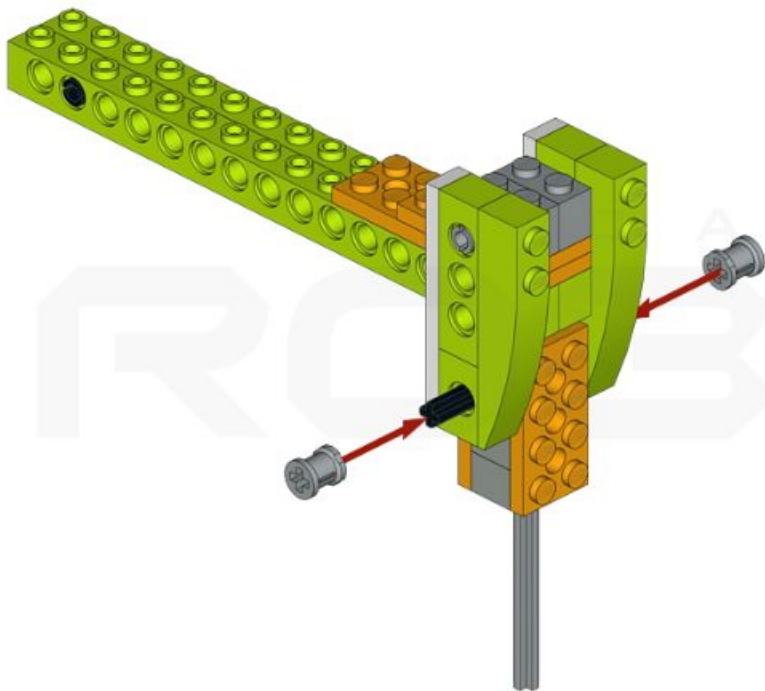
6



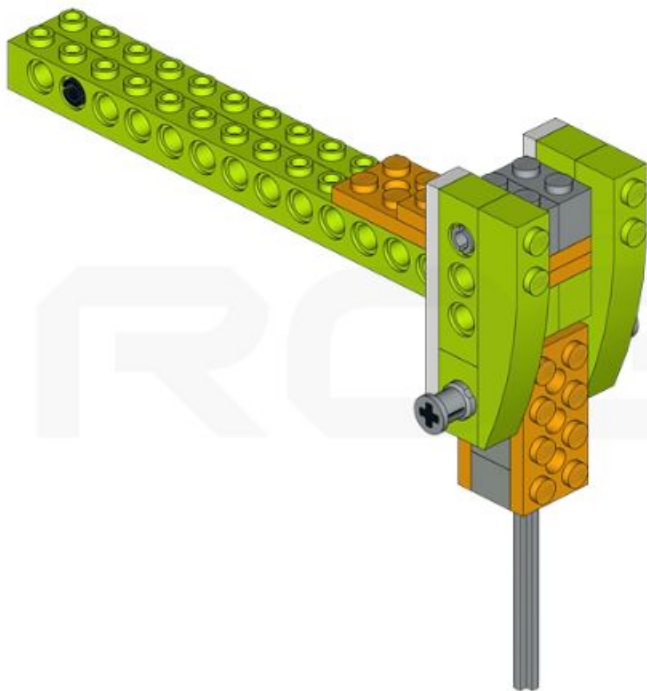
ROBO AMP



2x



2x



2x



1x



1x4



CAMP

ROBO



2x



1x



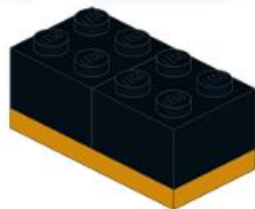
1x4



CAMP



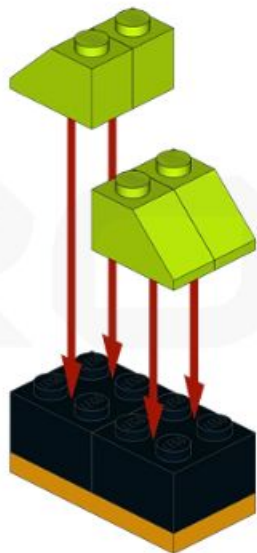
ROBO



24 / 39



4x



CAMP

ROBO



25 / 39



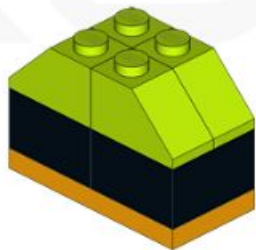
4x



CAMP



ROBO



25 / 39





2x



CAMP

ROBO



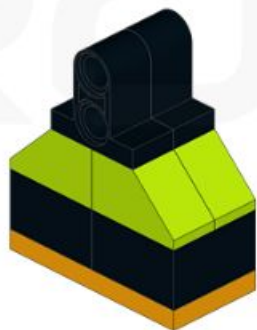
2x



CAMP



ROBO



26 / 39



4X



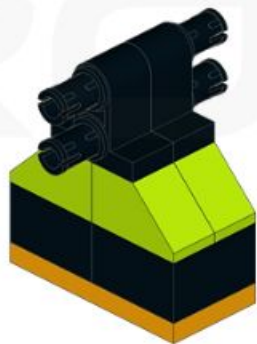
27 / 39



4X



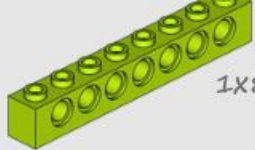
CAMP



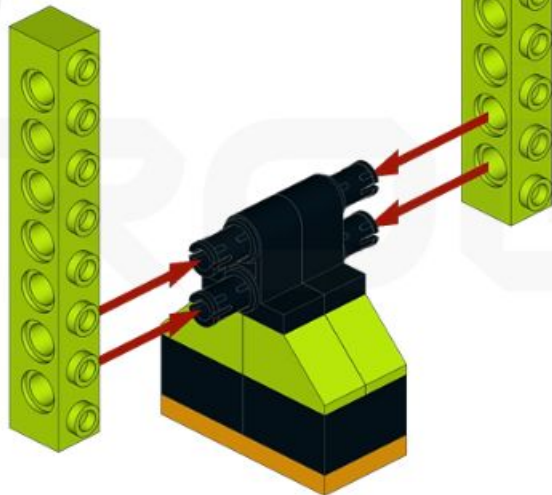
27 / 39



2x



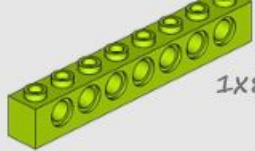
1x8



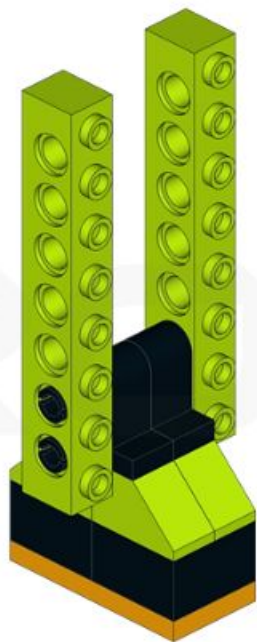
A M P



2x



1x8



CAMP

ROBO

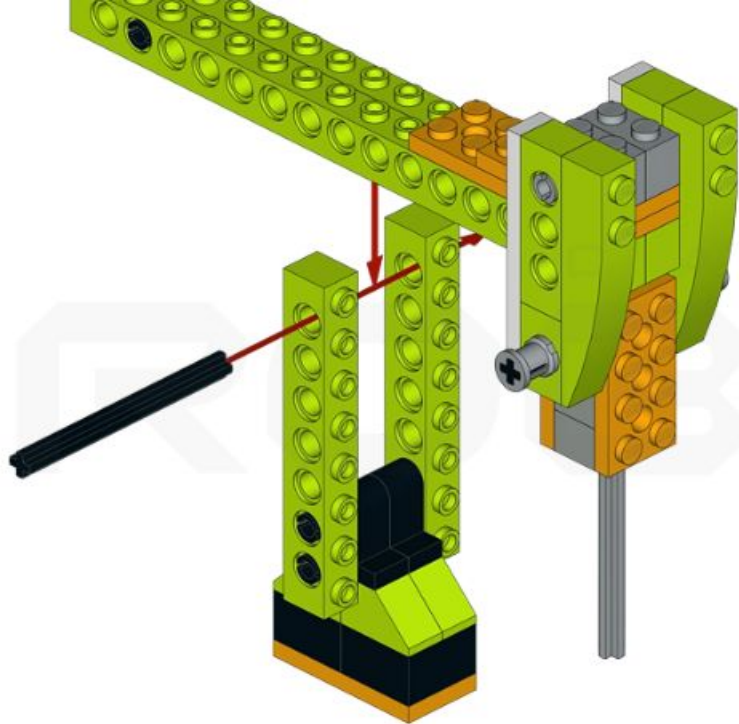


28 / 39



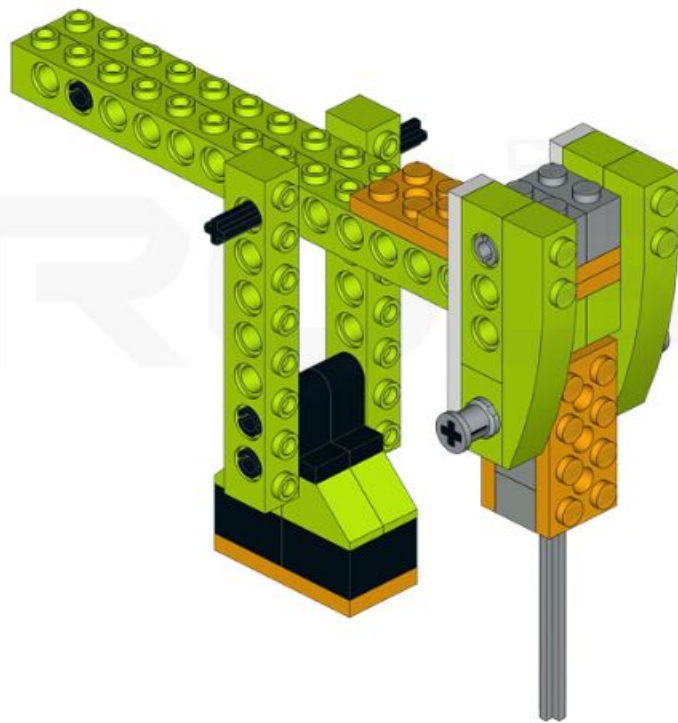
1x

6



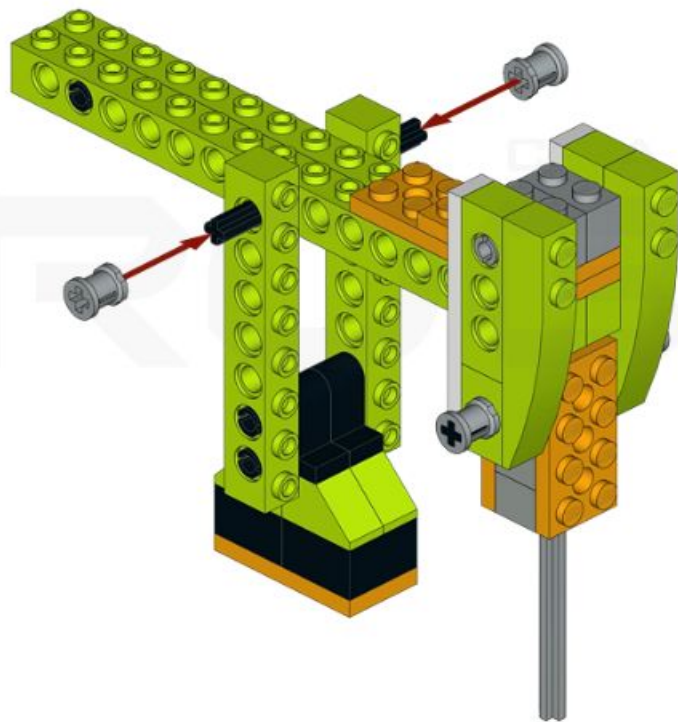
1x

6

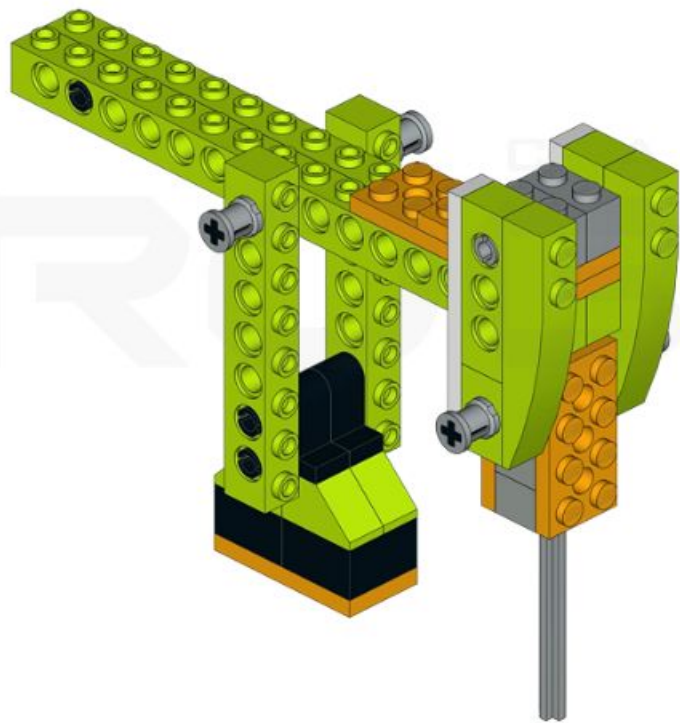




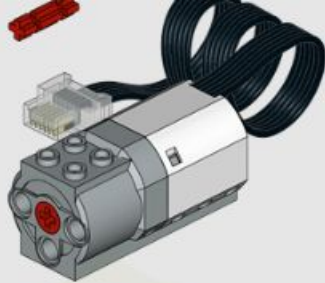
2x



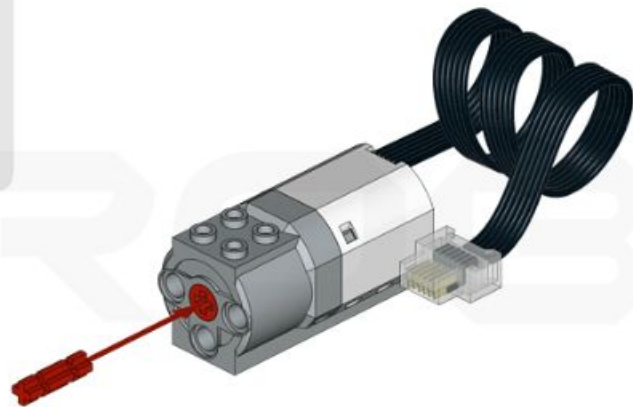
2x



1x



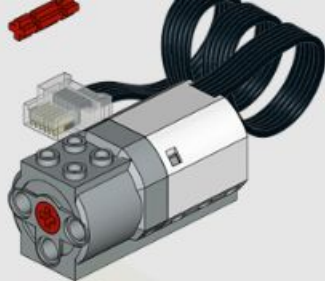
1x



M P



1x



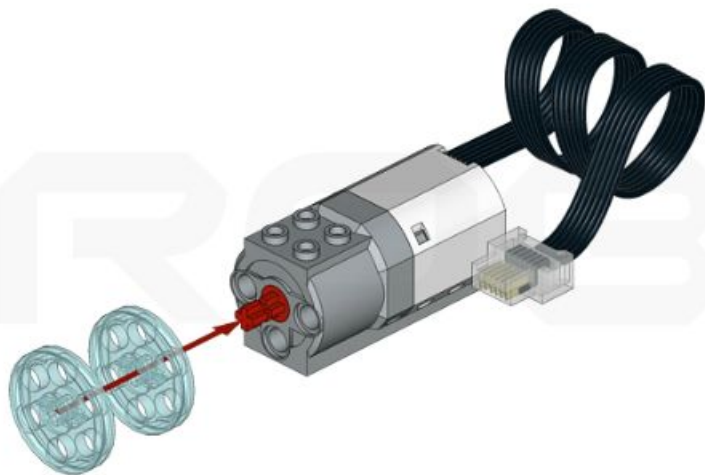
1x



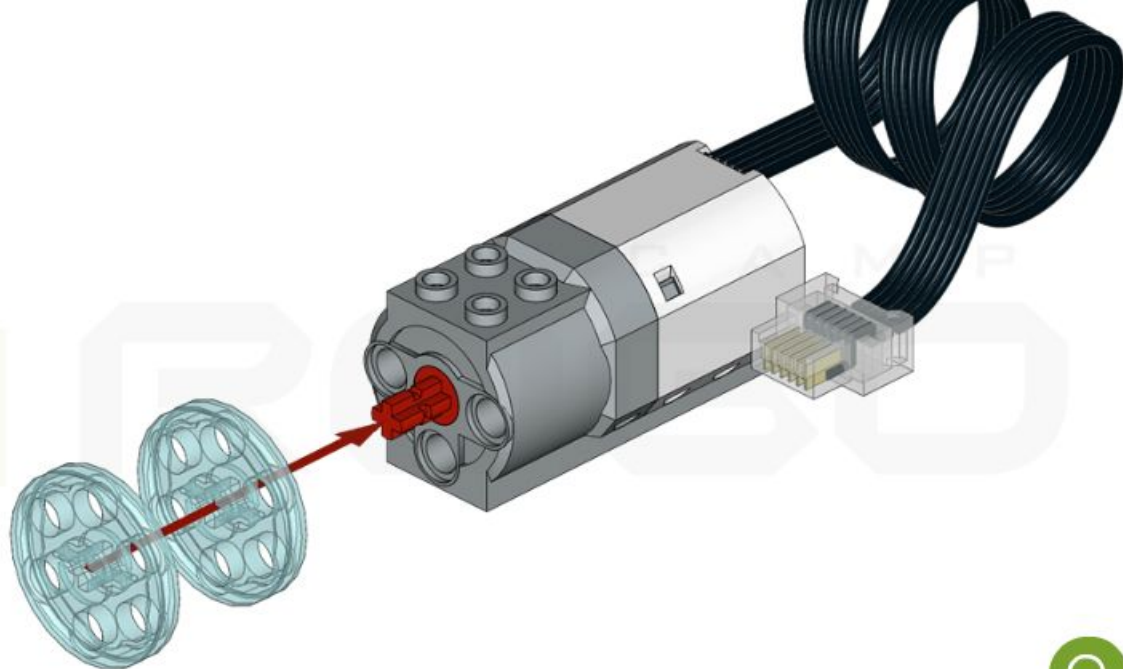
M P



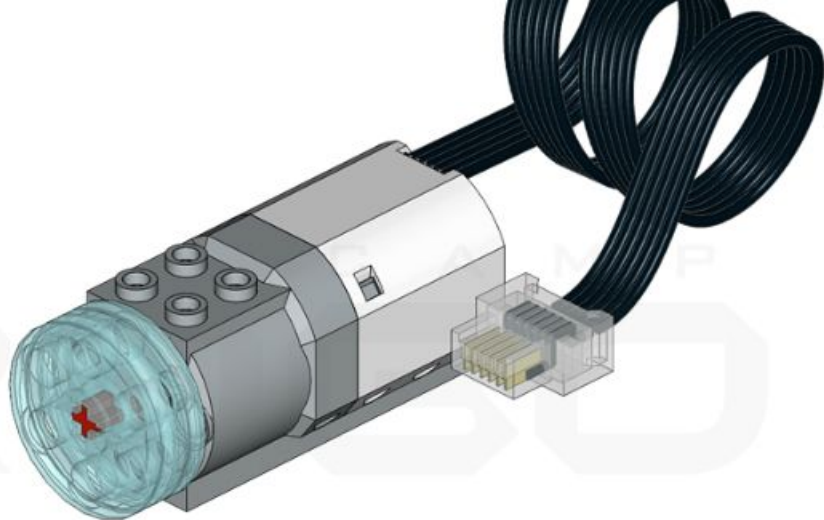
2x



2x

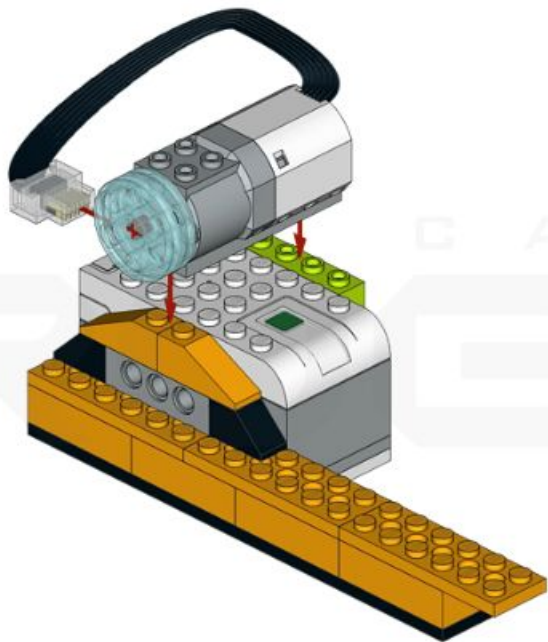


2x

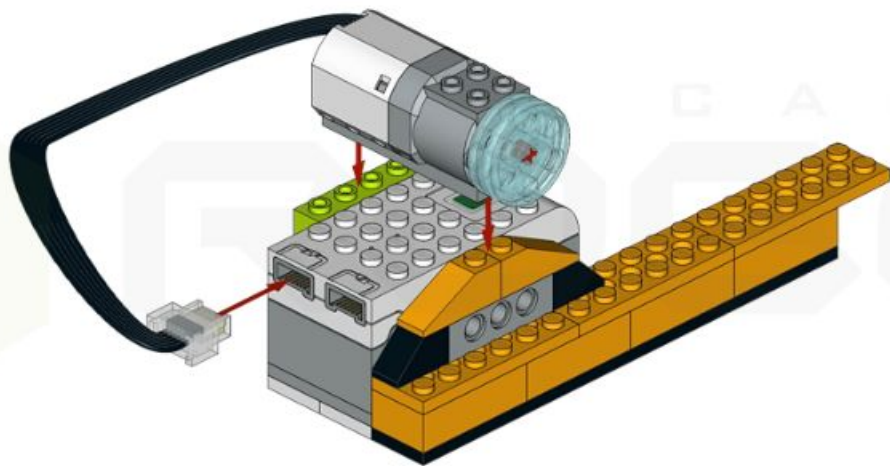


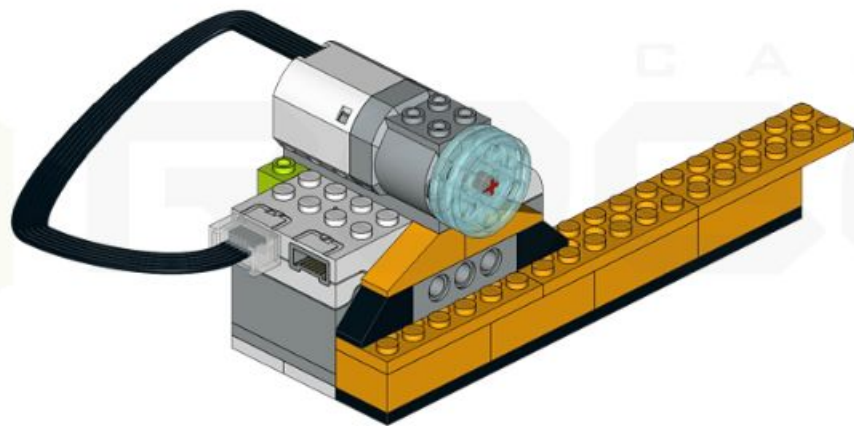


CAMP  
BO



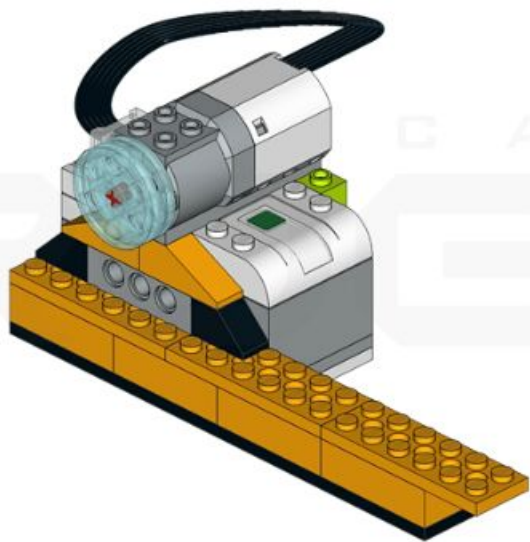


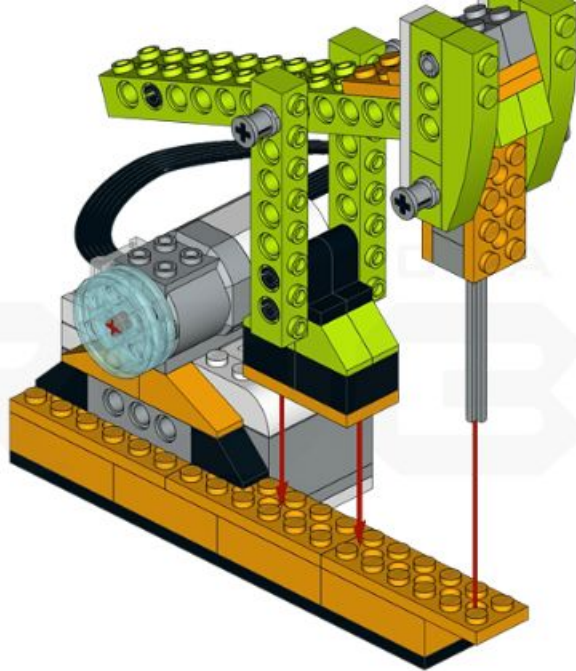


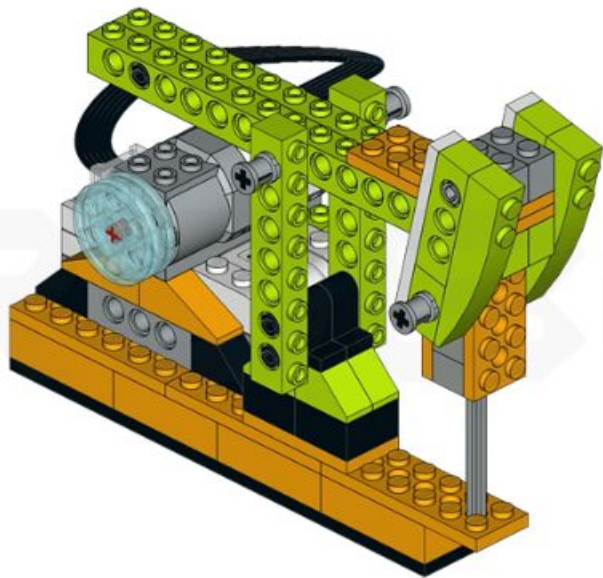




CAMP  
LEGO







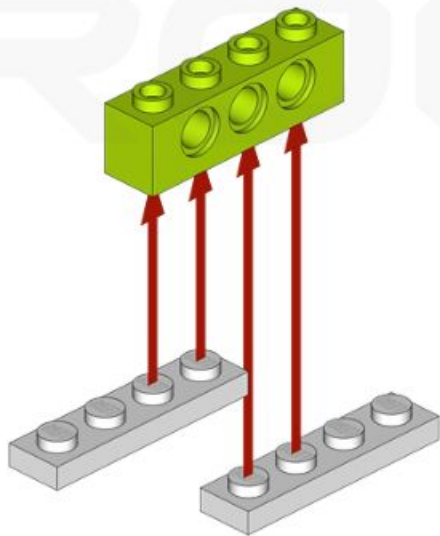
1X 1X4

2X 1X4



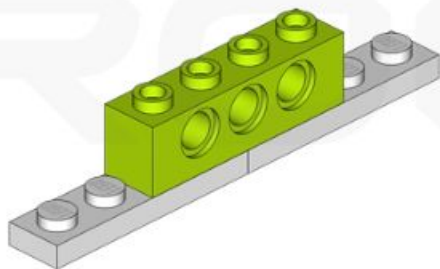
CAMP

ROBO



1X 1X4

2X 1X4

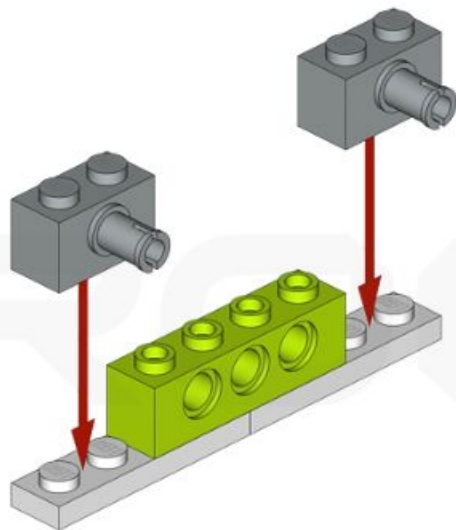


CAMP

ROBO



2x



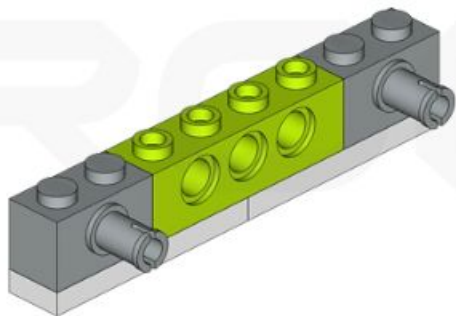
CAMP

ROBO





2x



C A M P

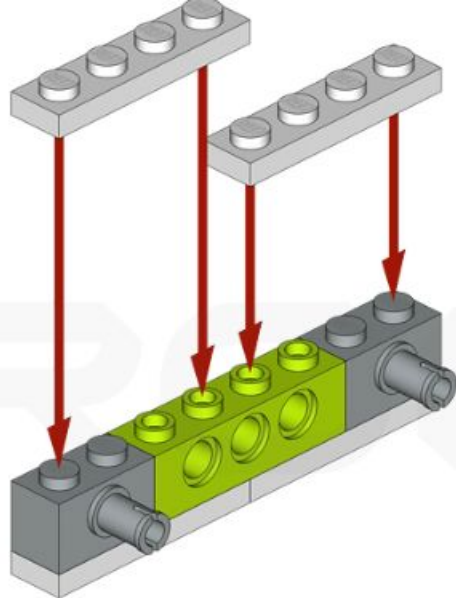
ROBO



2x



1x4



CAMP

PROBO



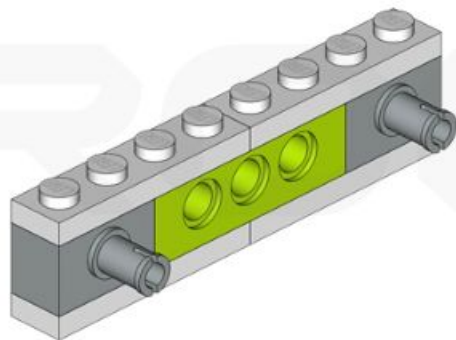
37 / 39



2x



1x4



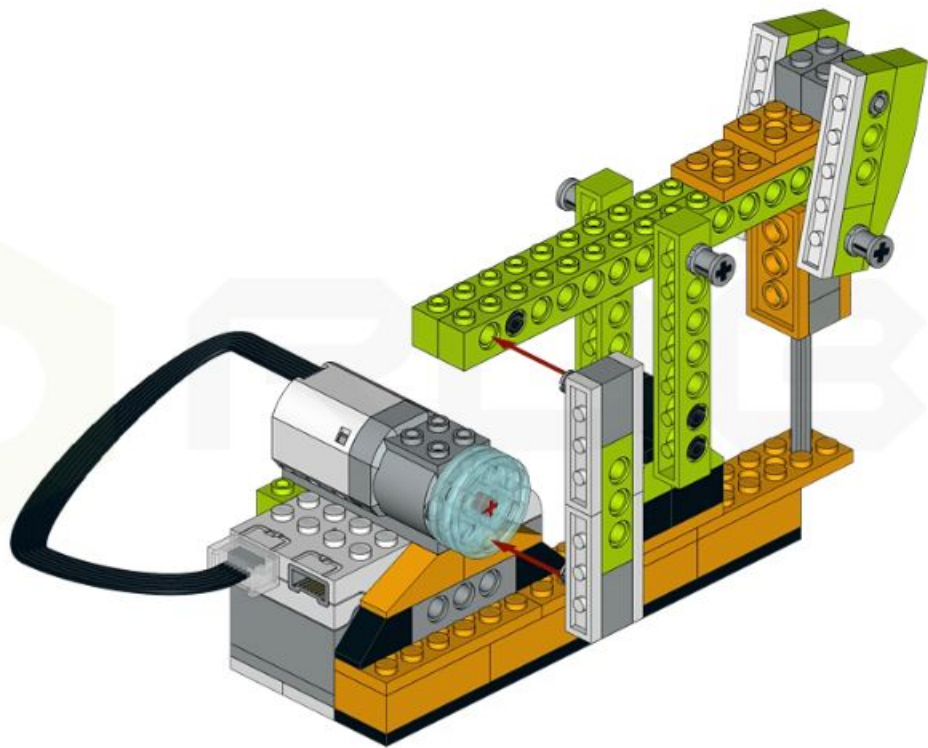
CAMP

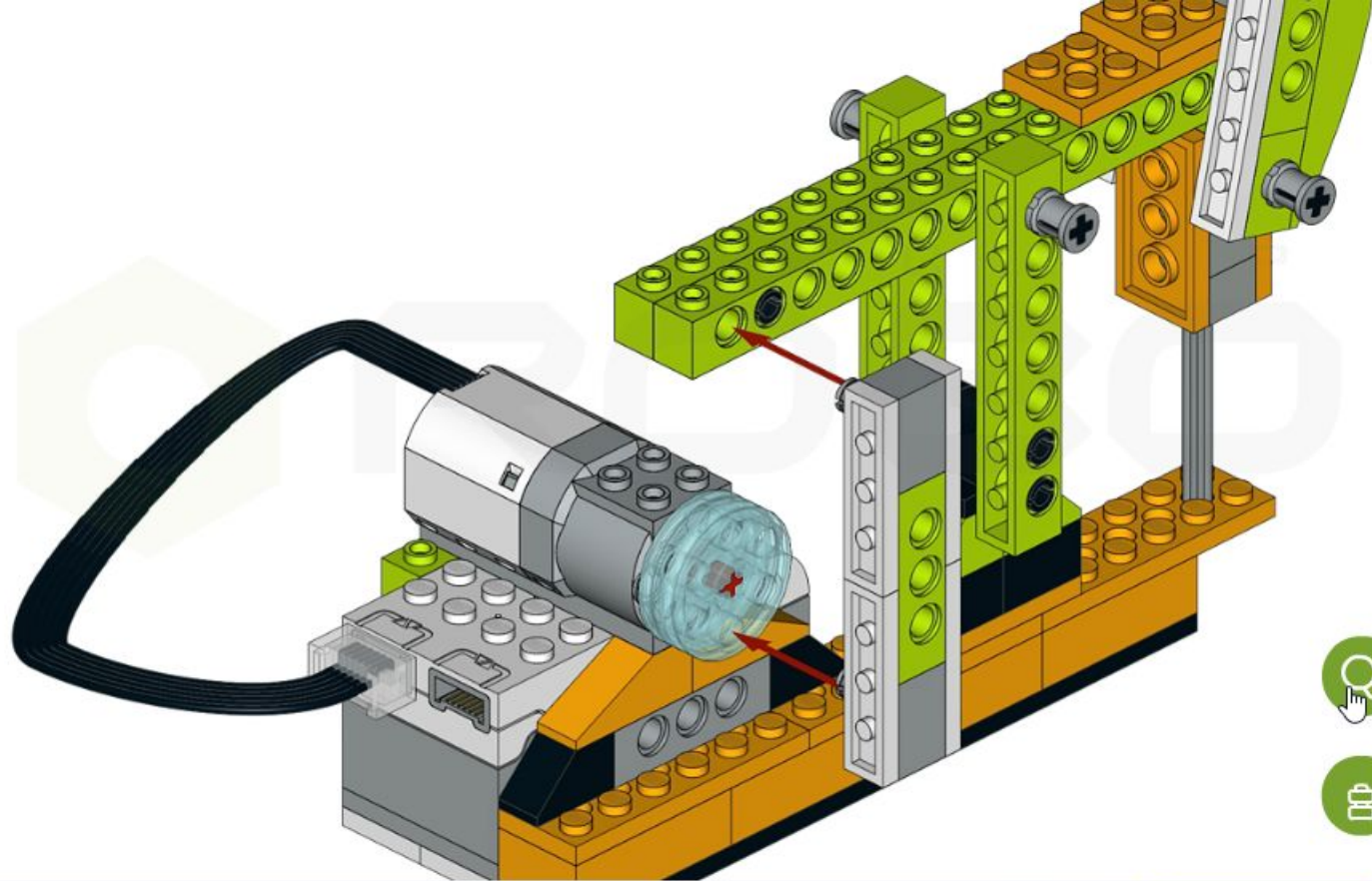
PROBO

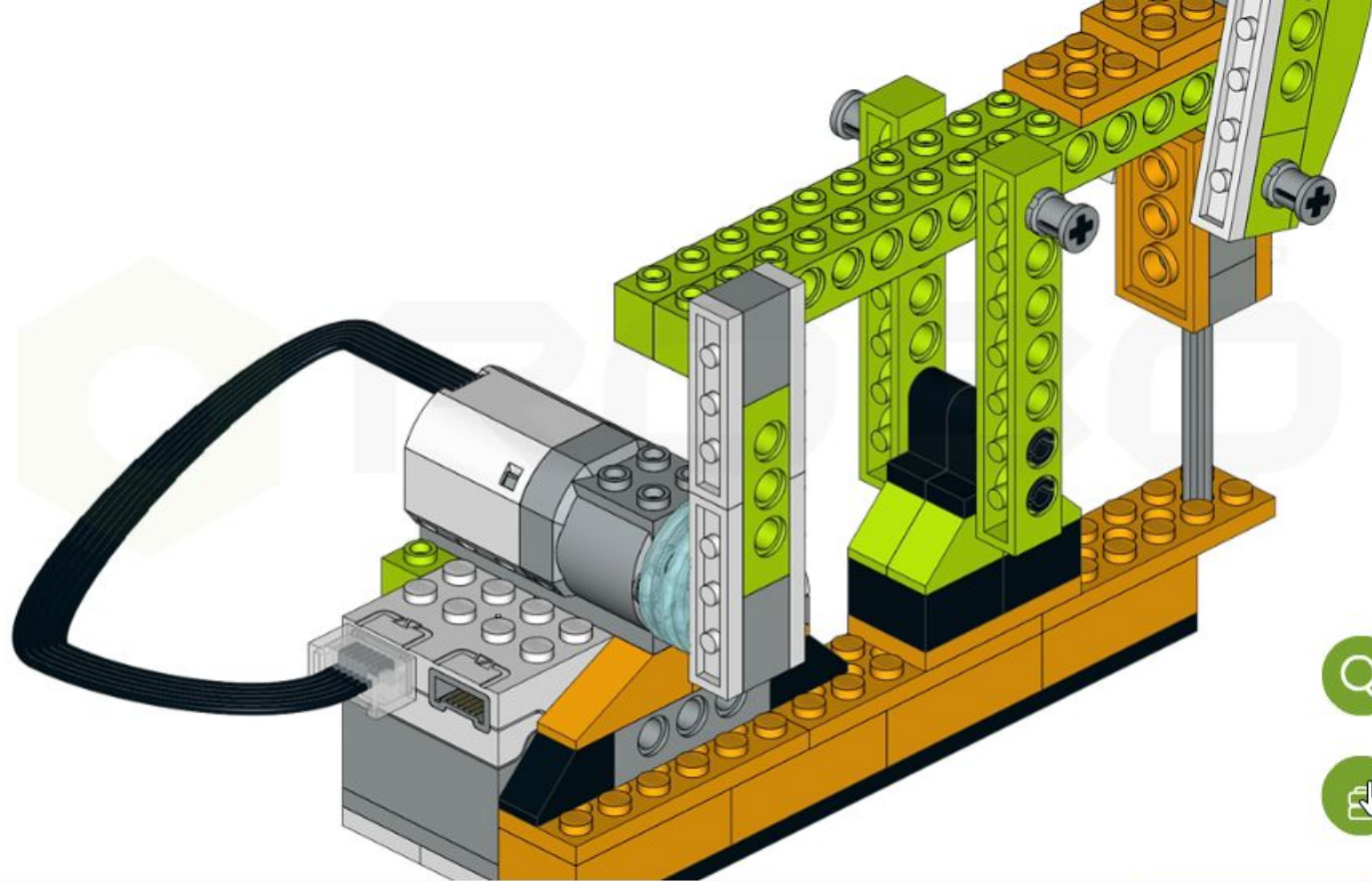


37 / 39

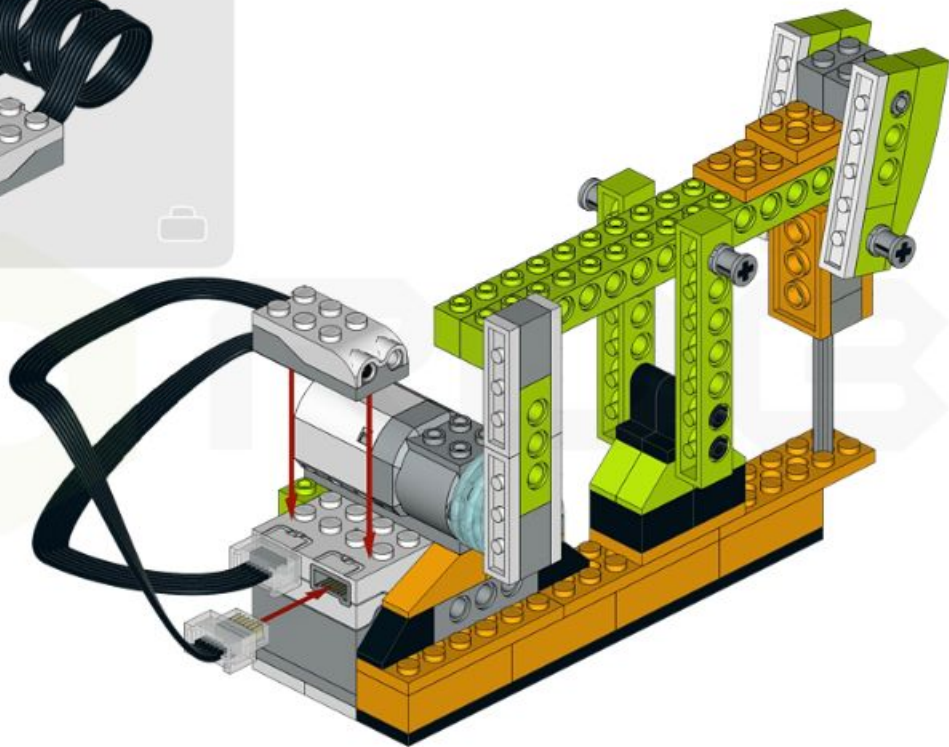








1x



1x

