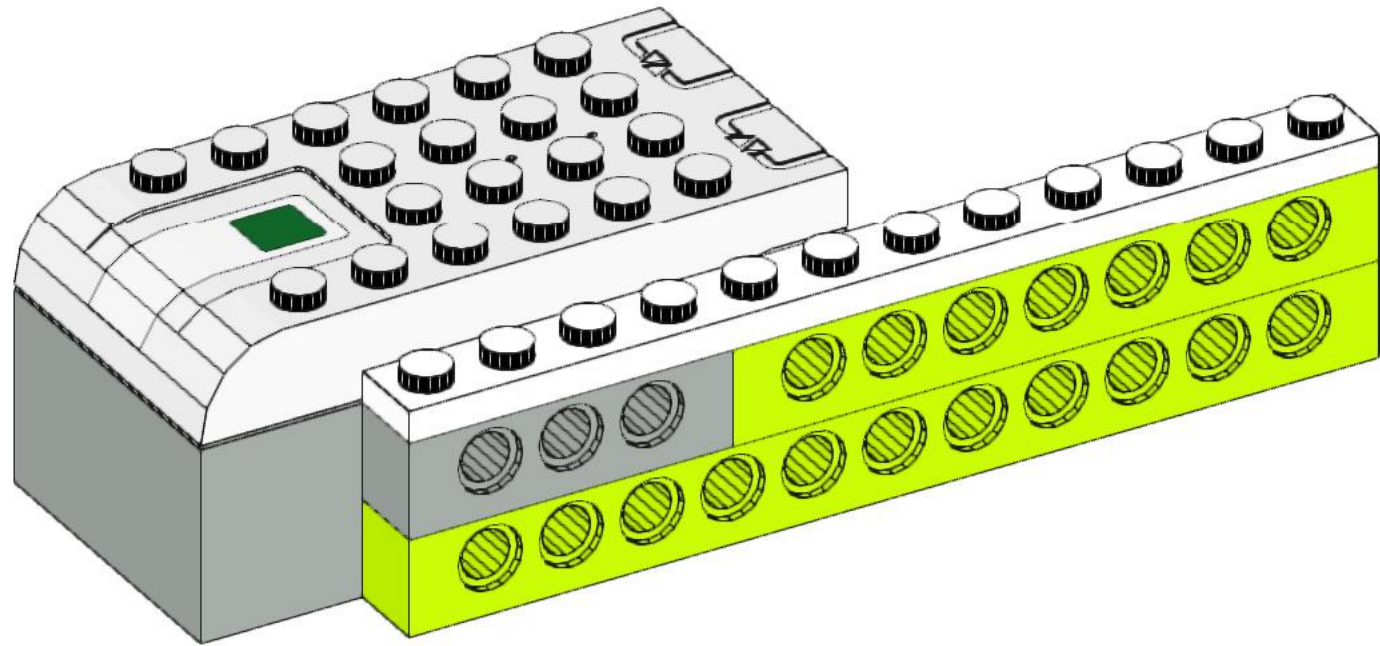
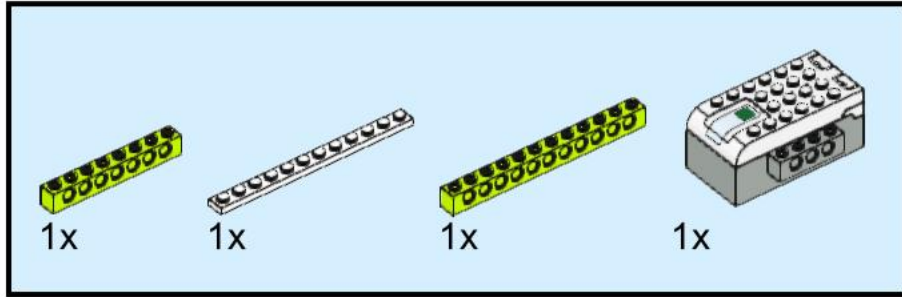


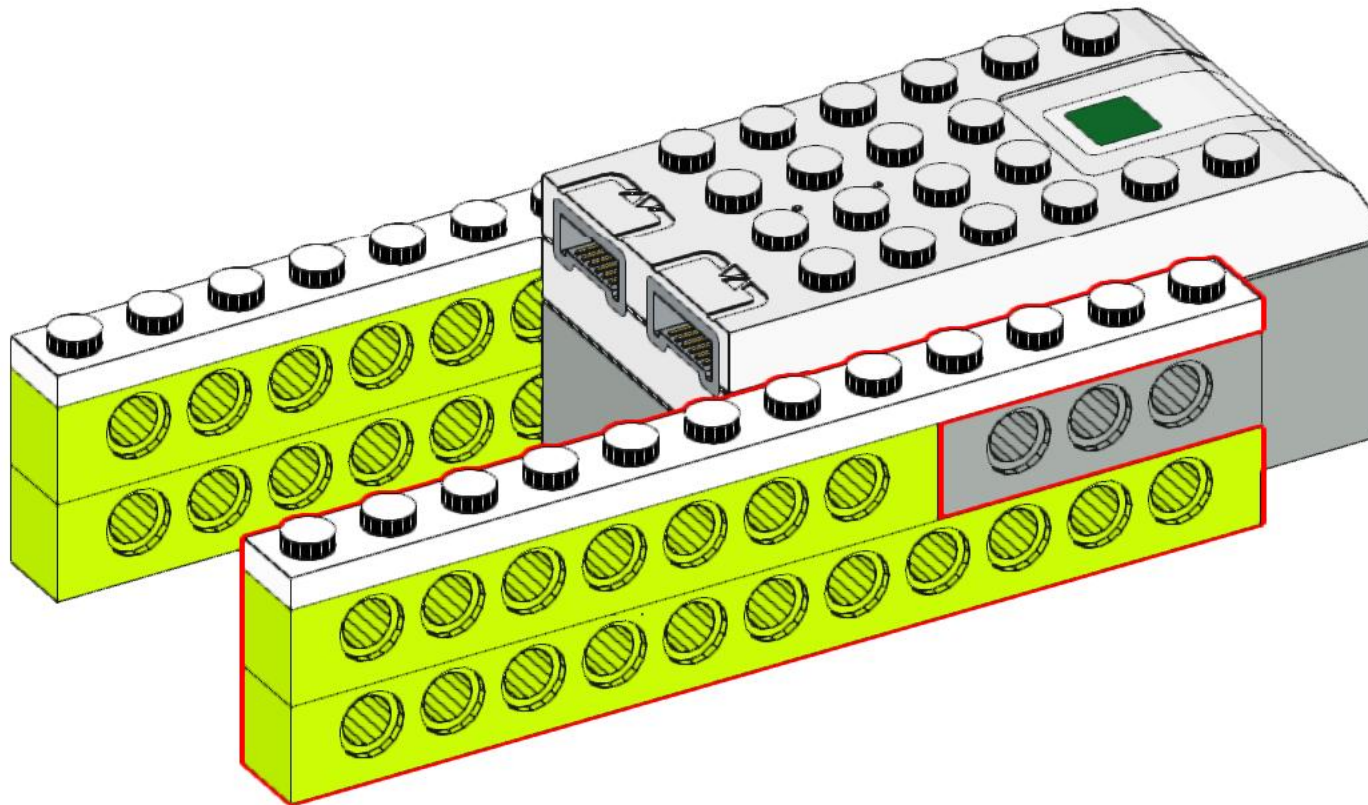
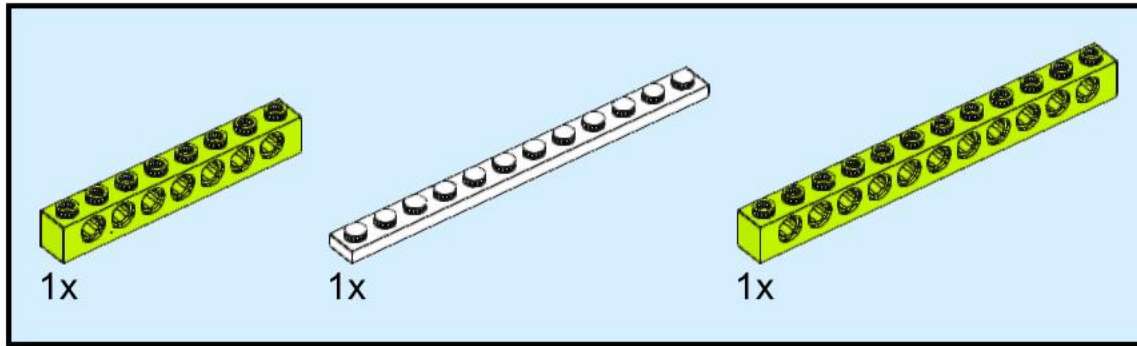


**Fuel pump**

1

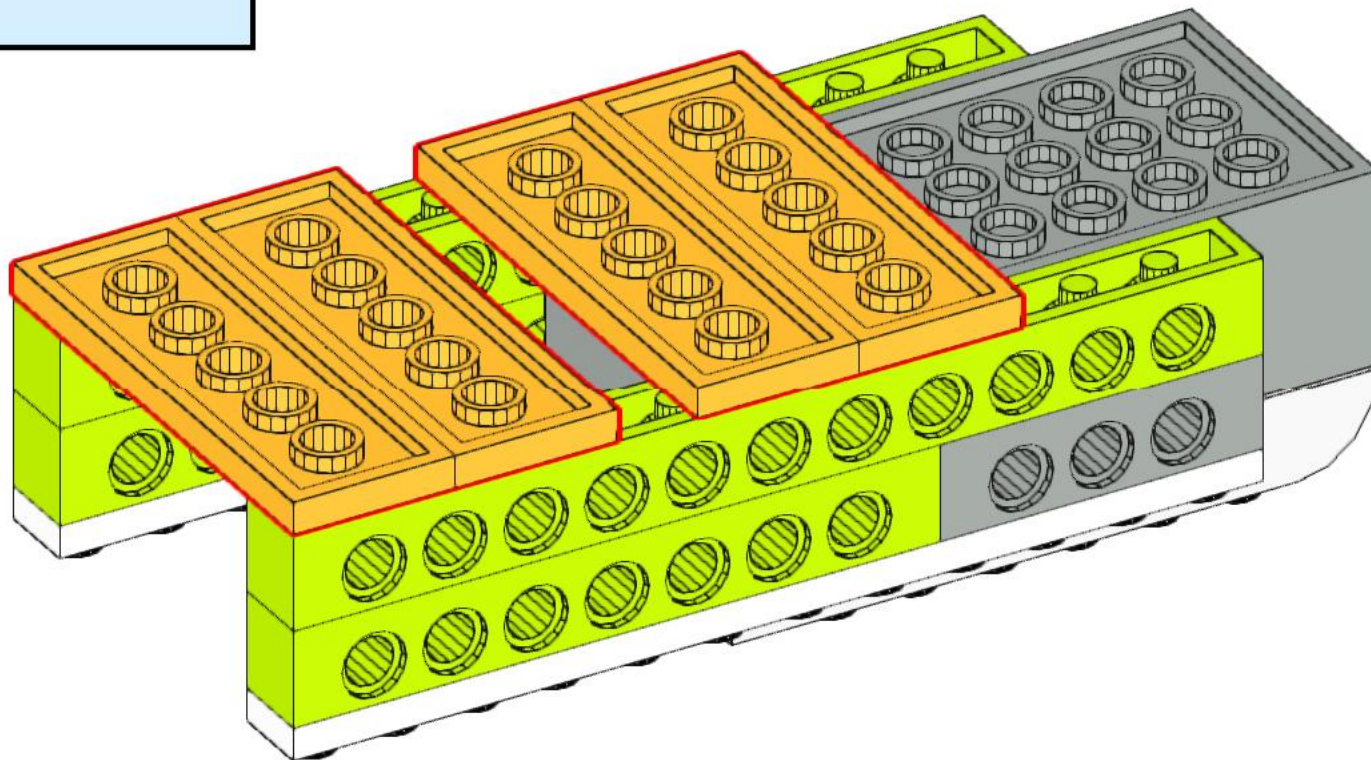
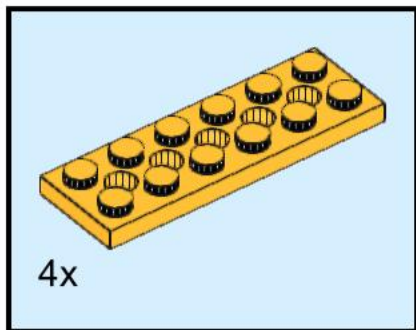


# 2



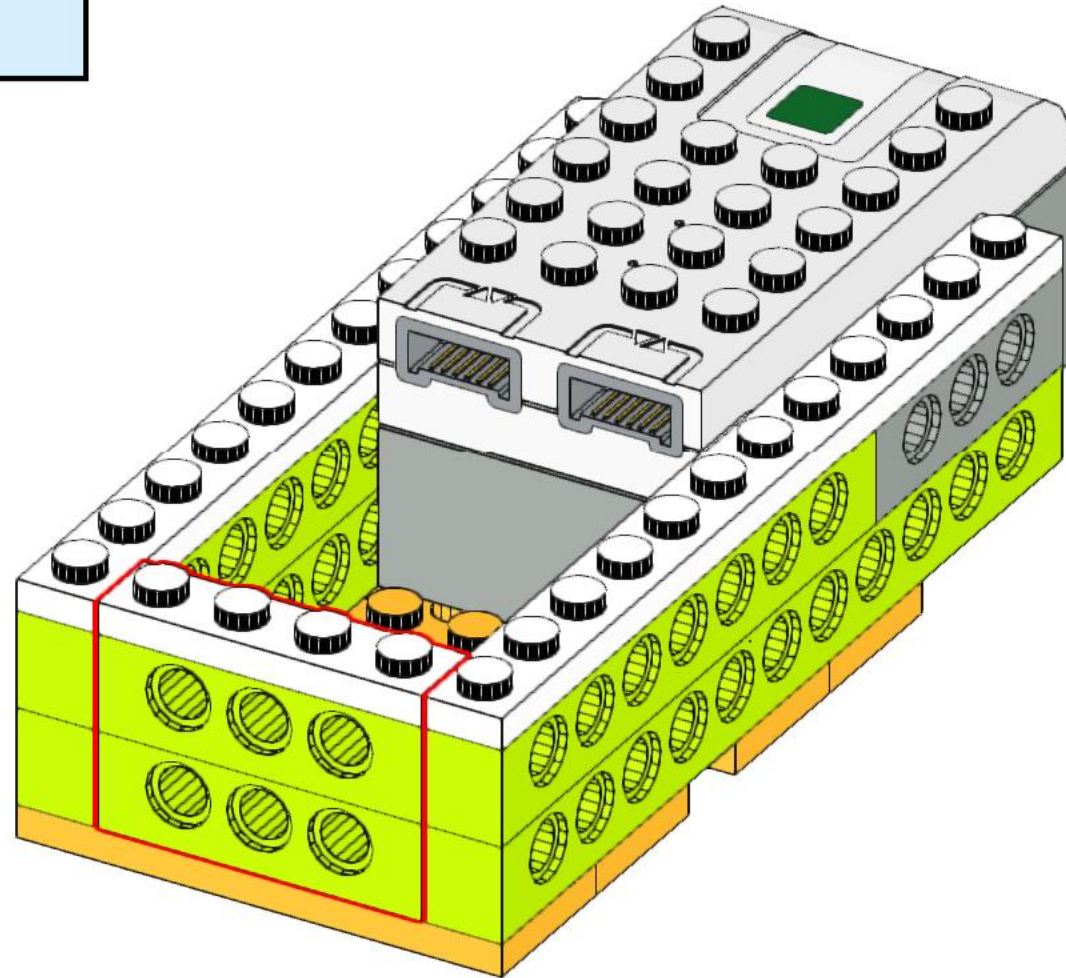
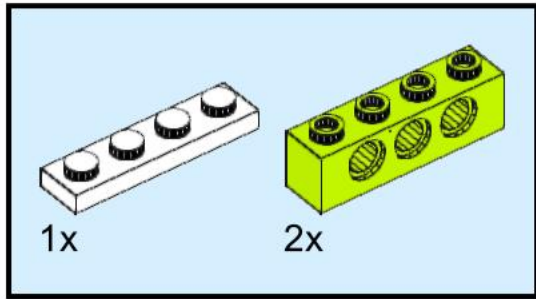


3

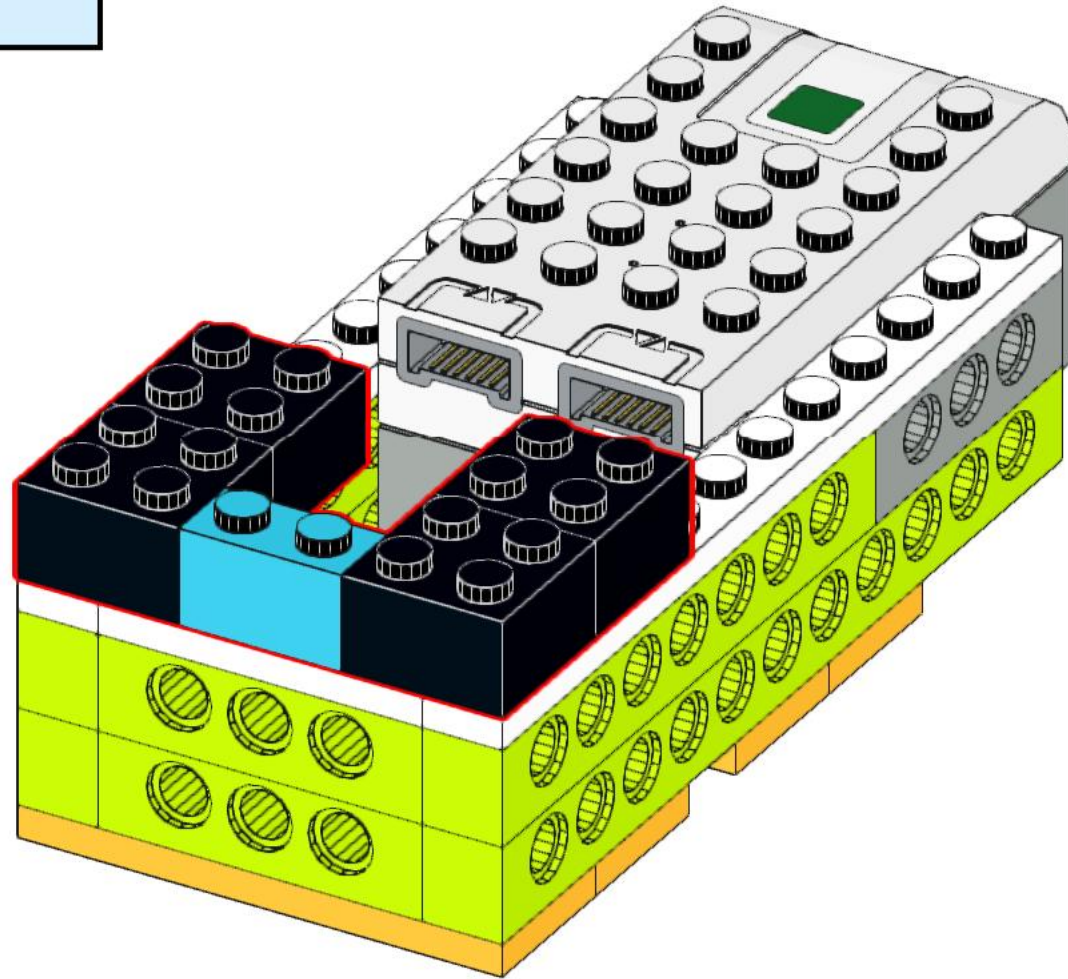
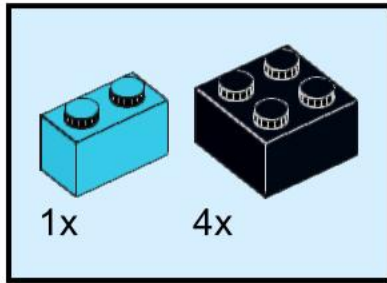




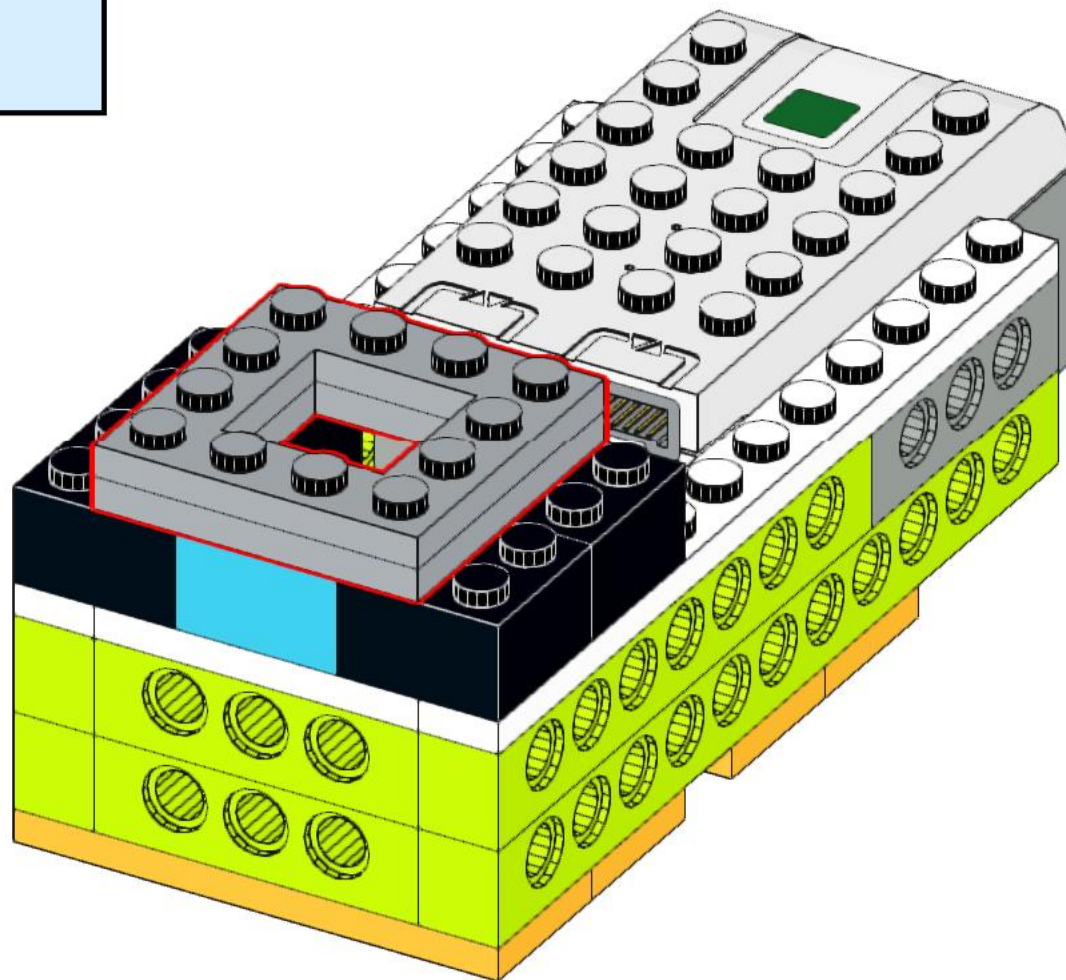
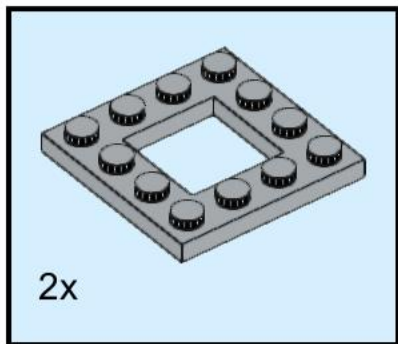
4



5

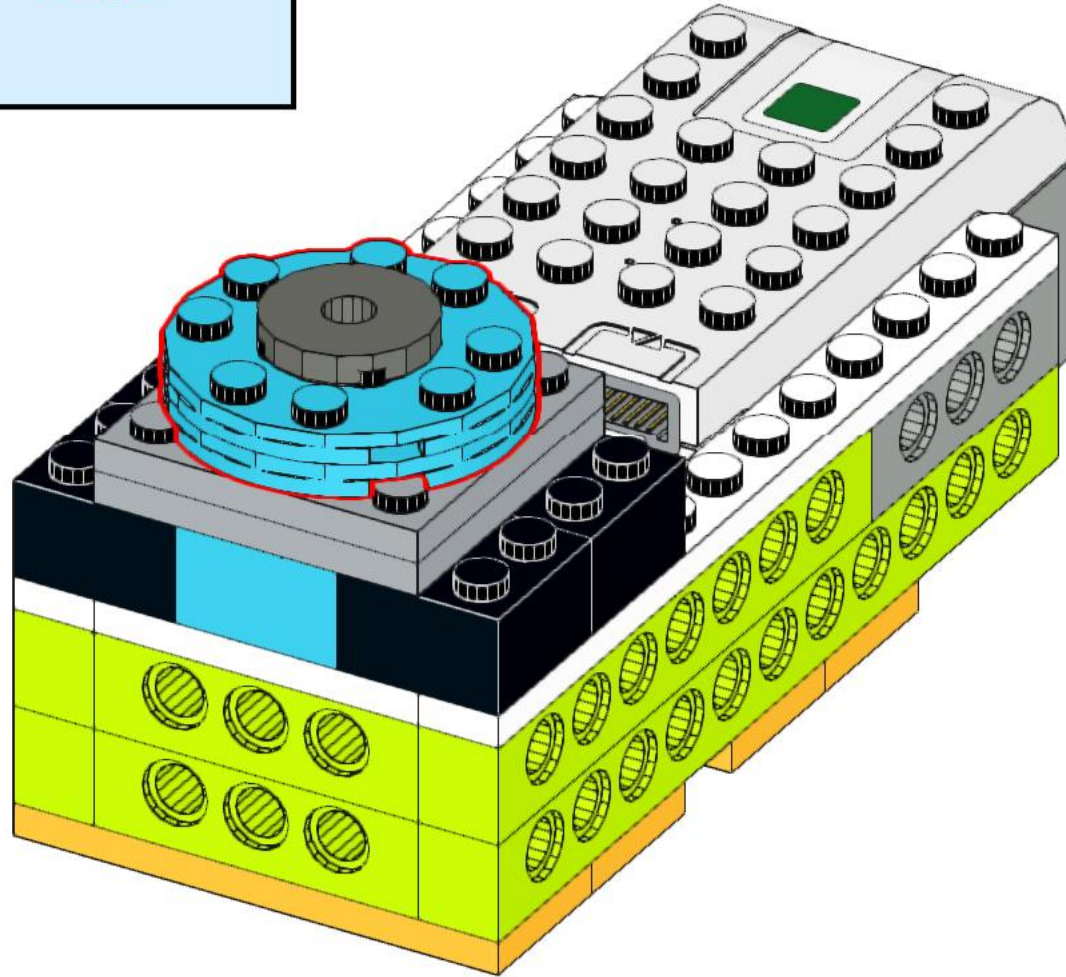
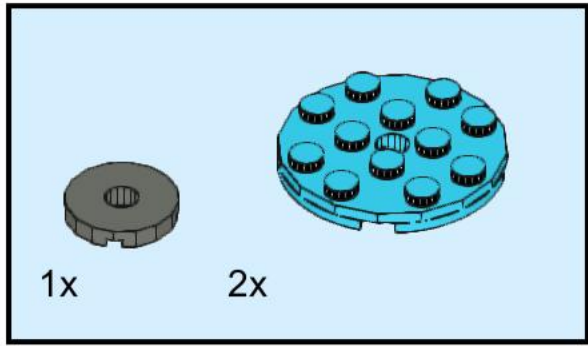


6

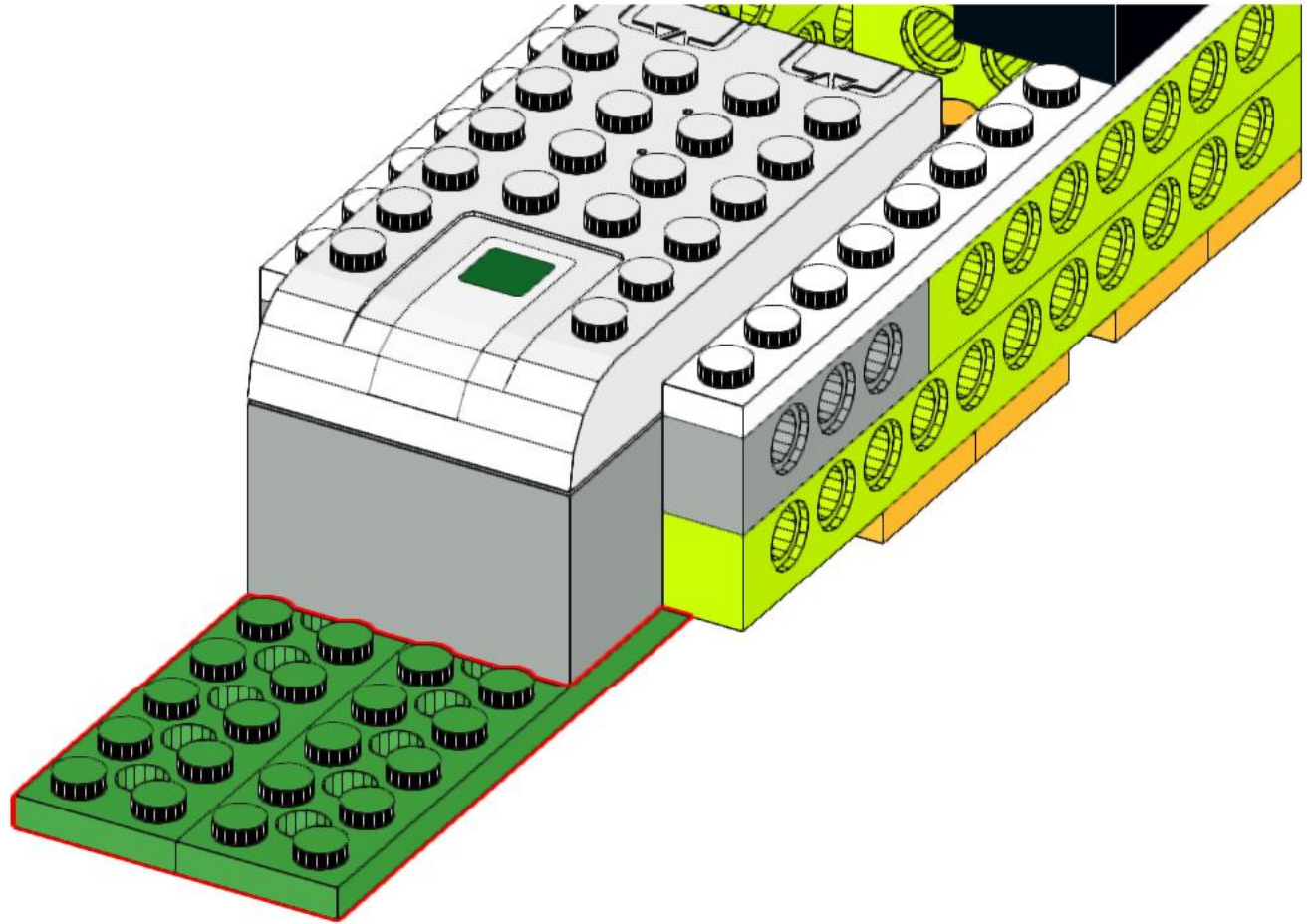
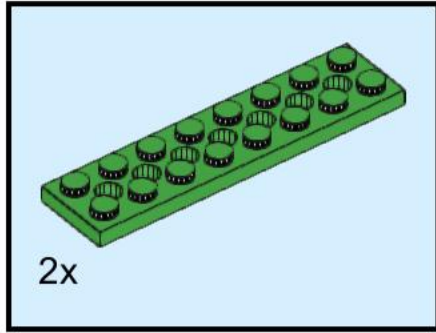




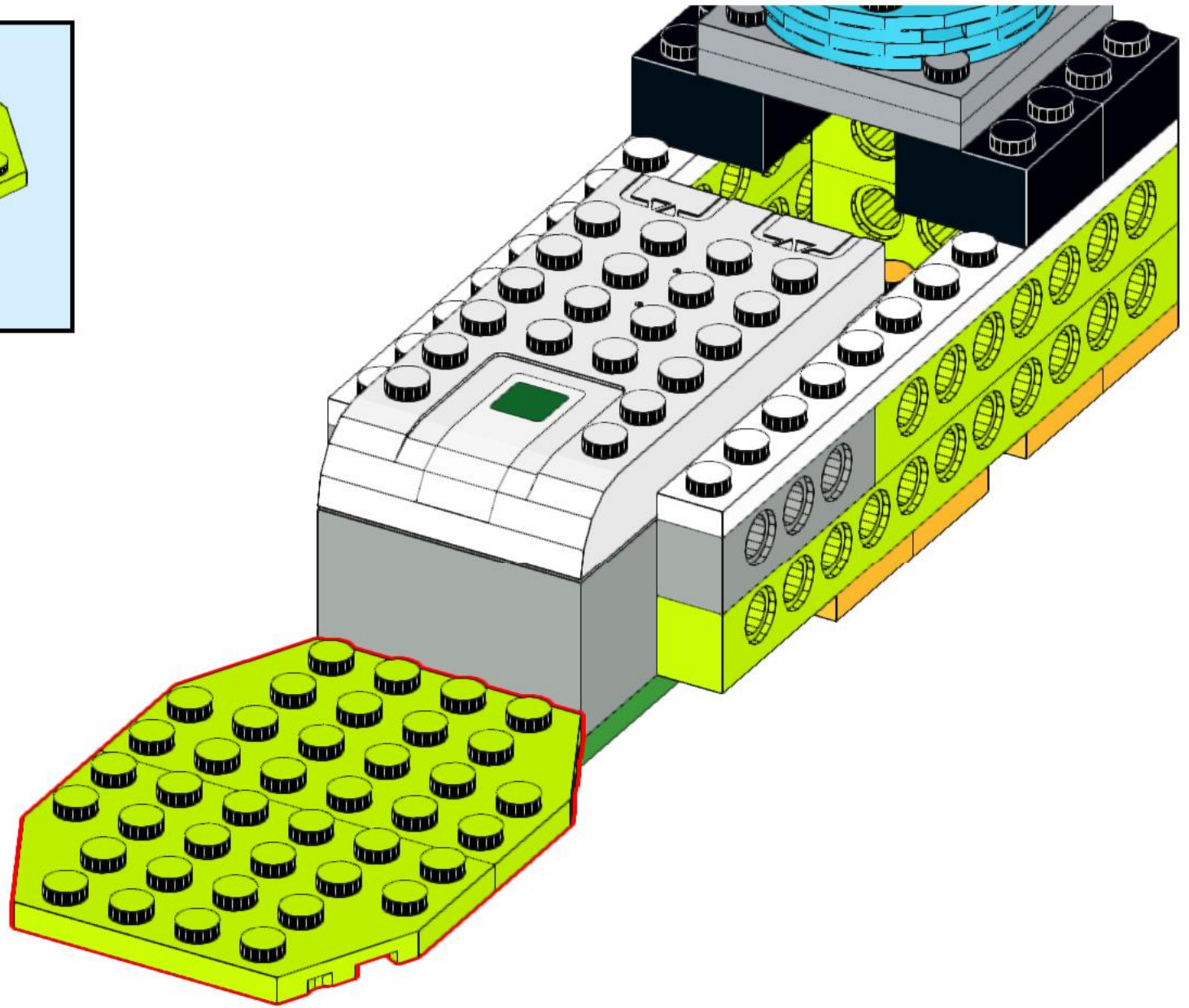
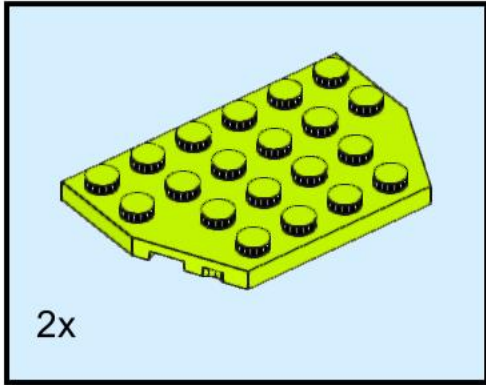
7



8

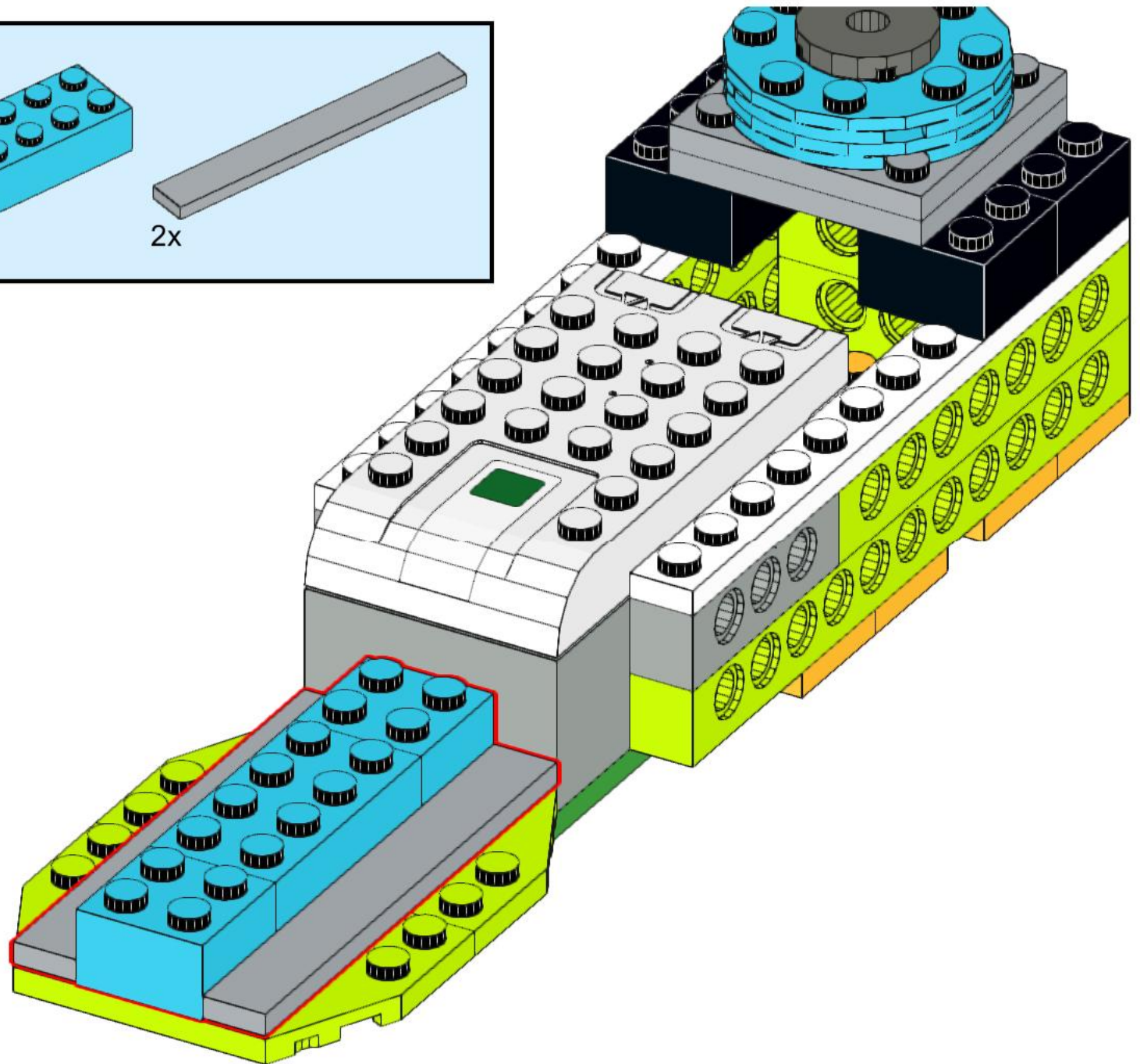
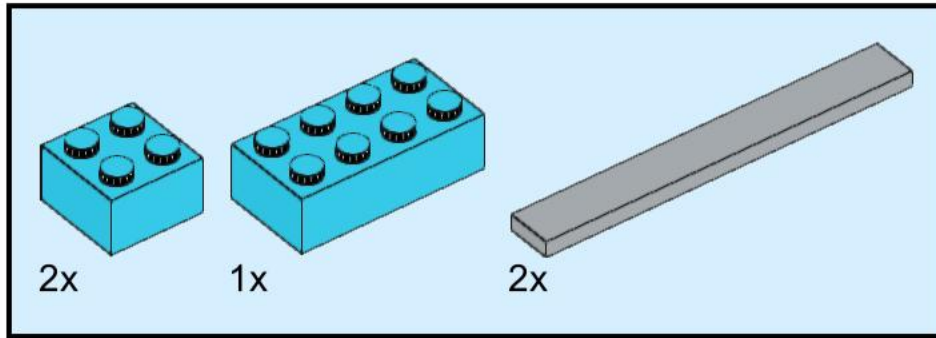


9

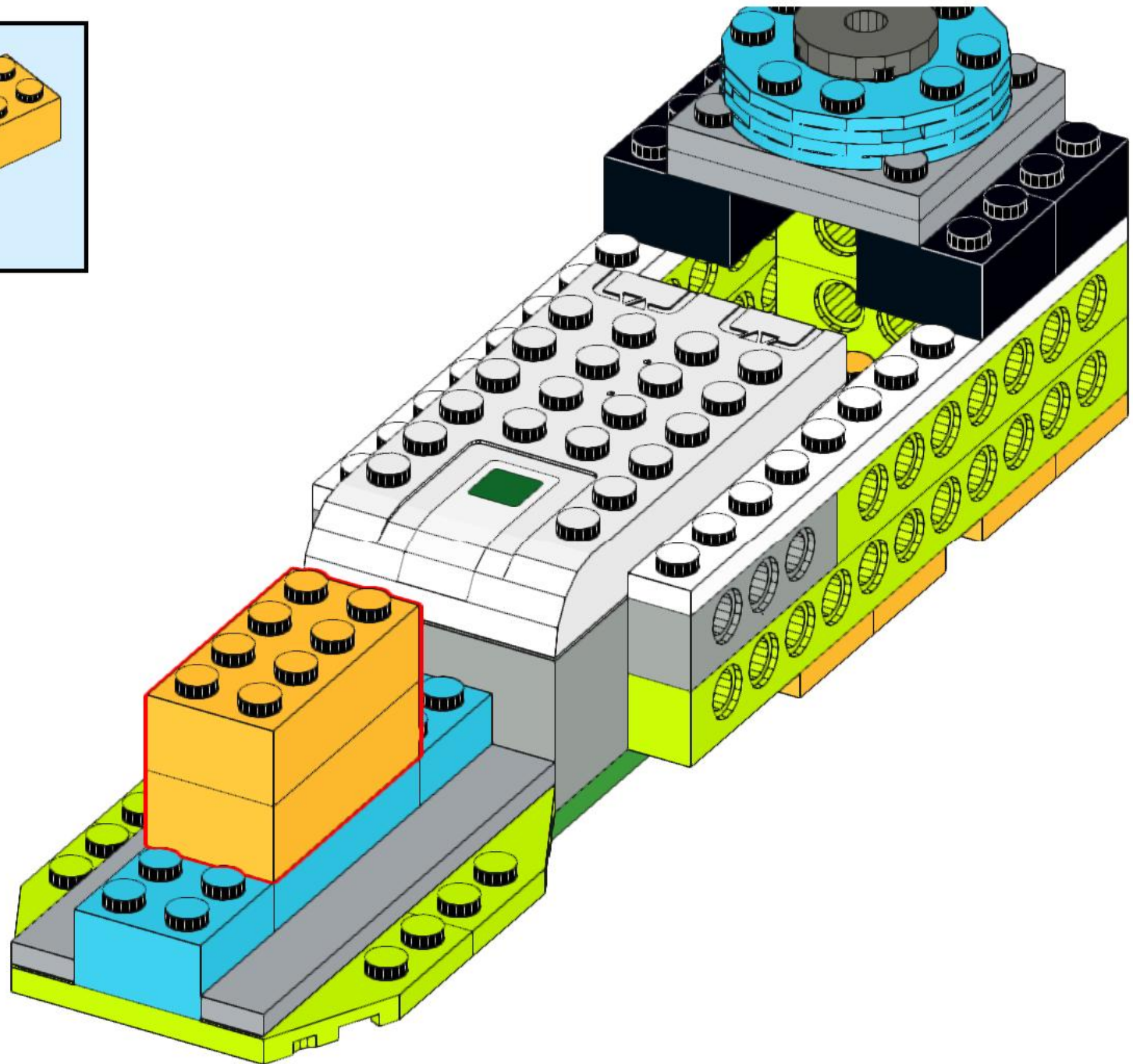
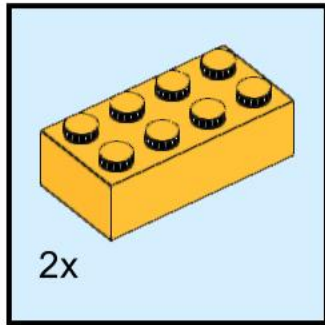




# 10

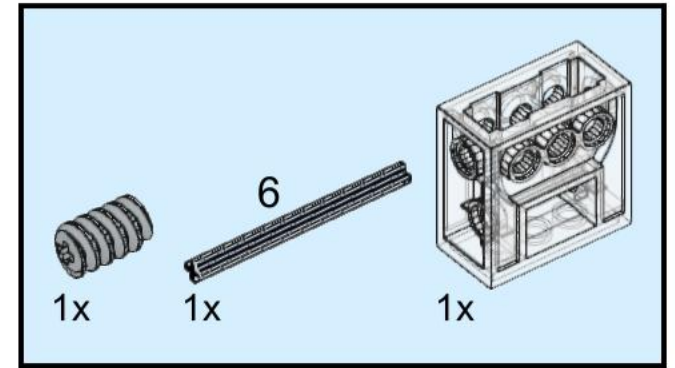
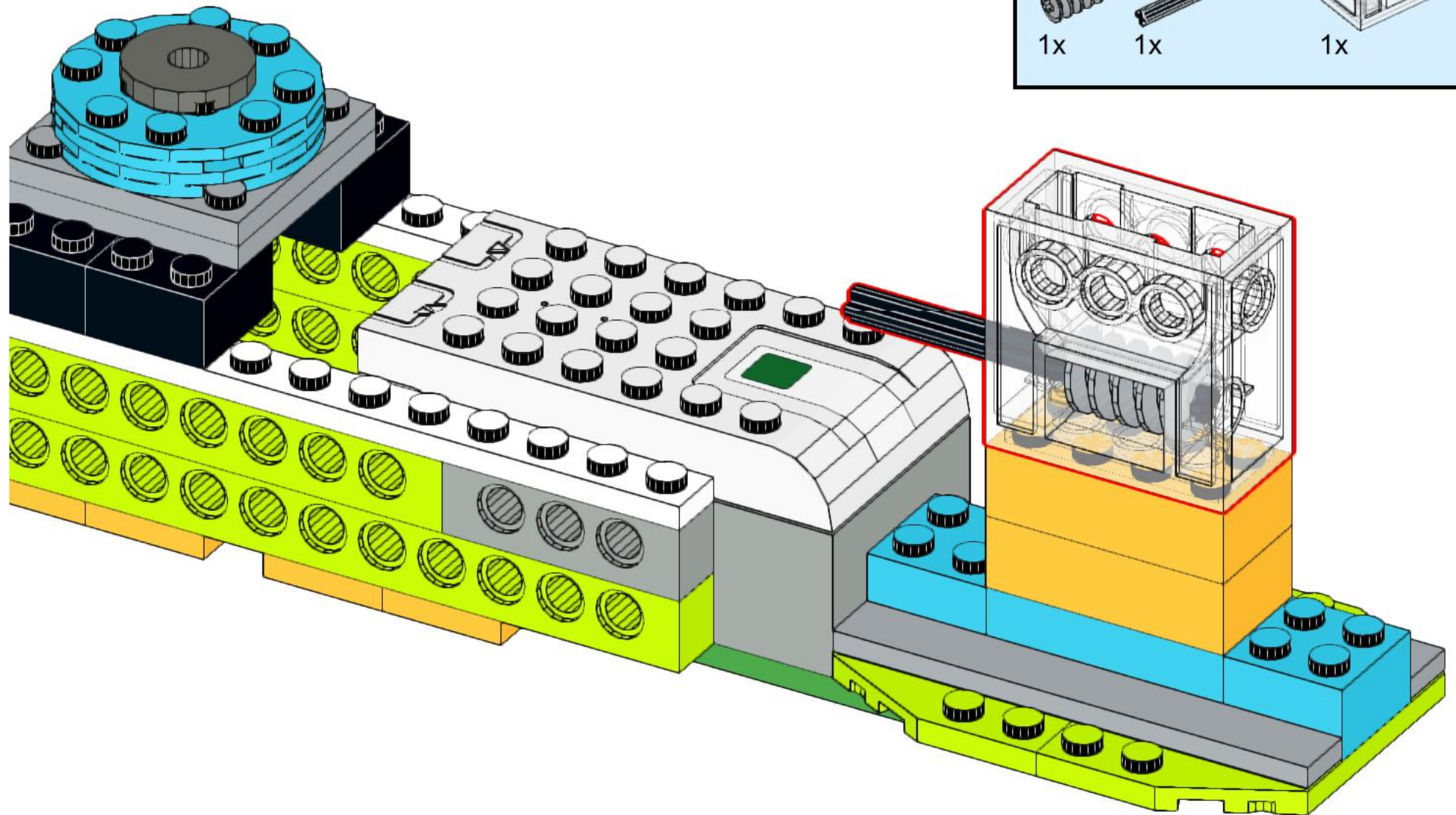


11



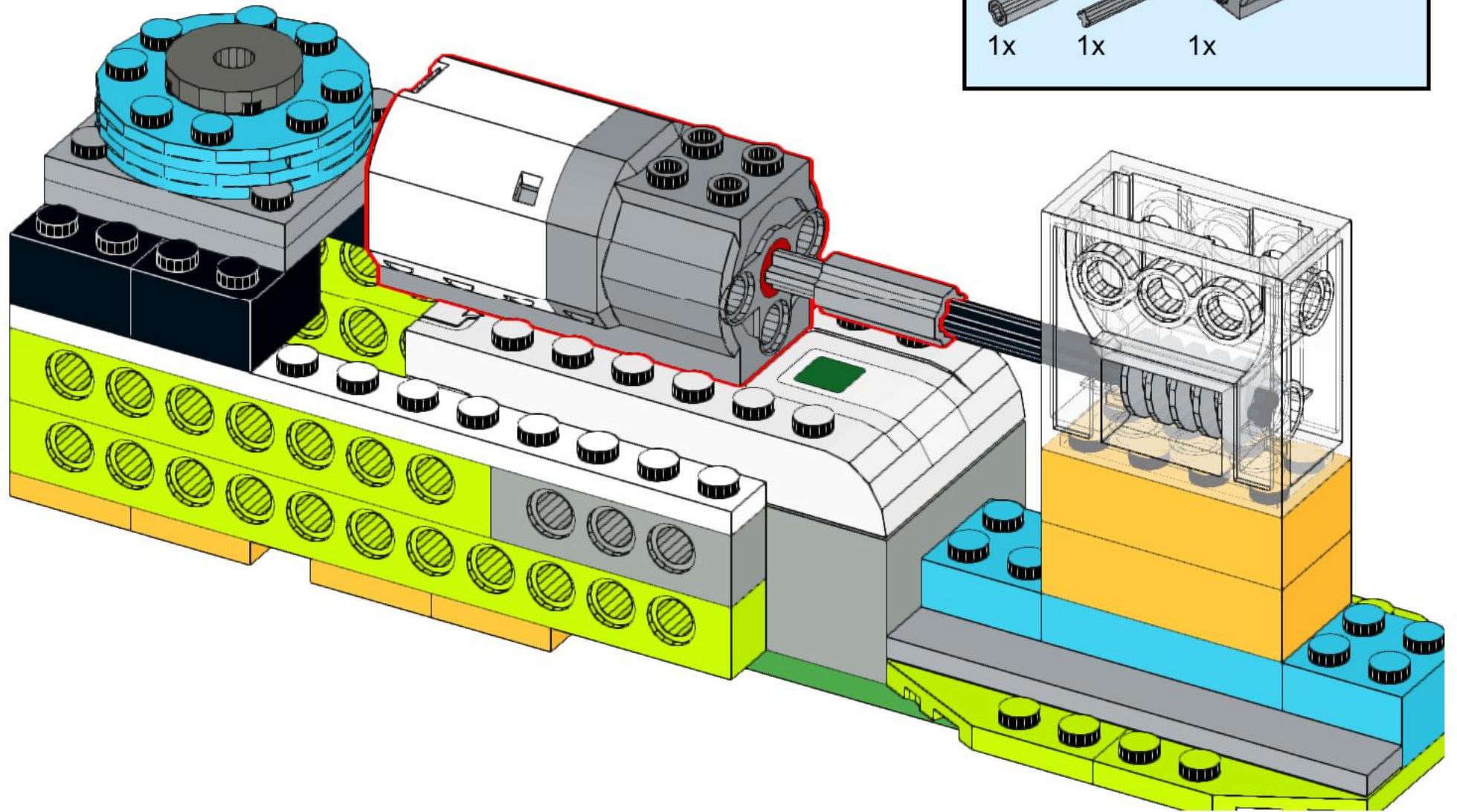


# 12

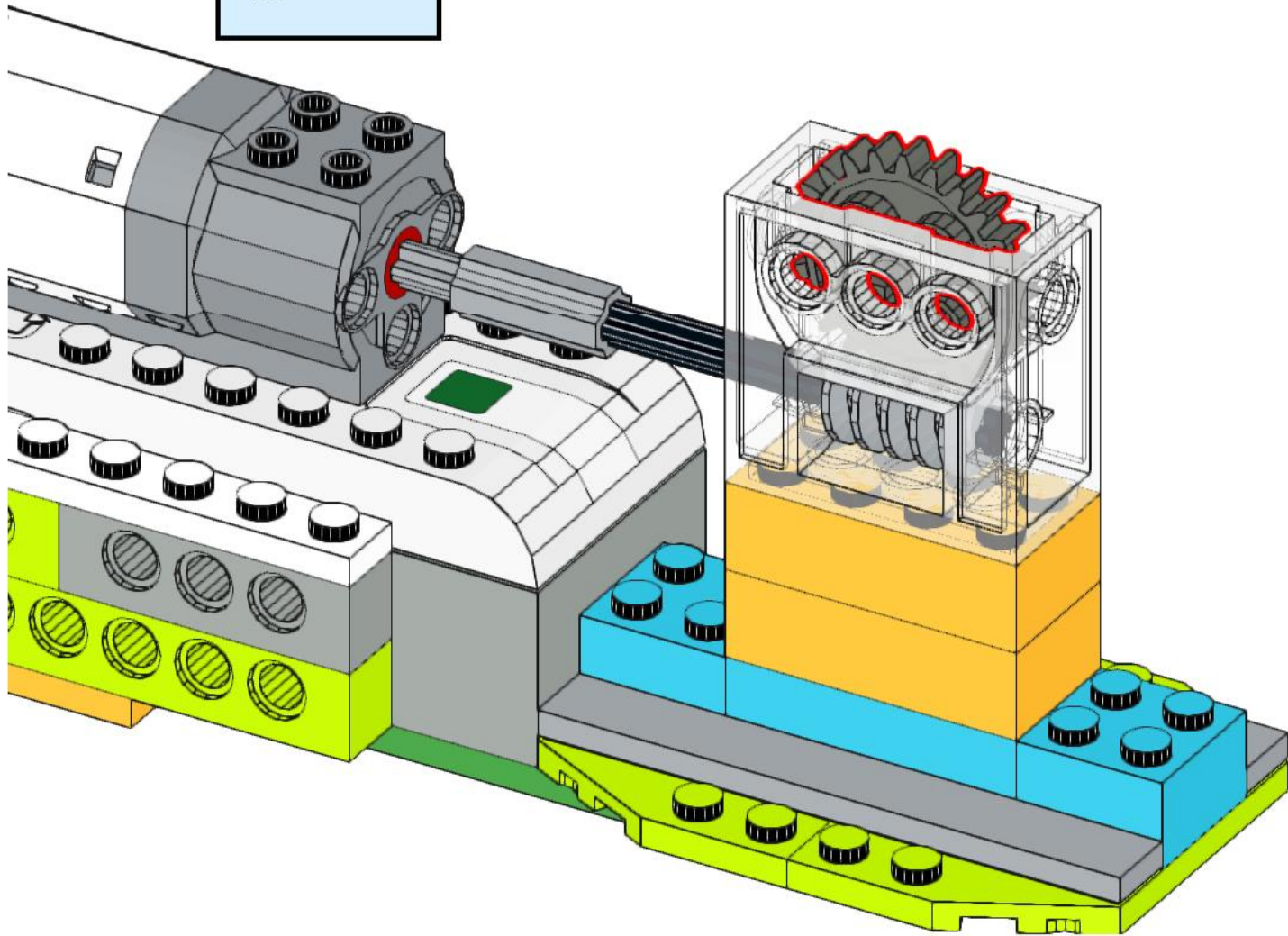
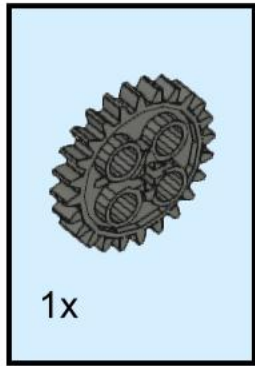




# 13

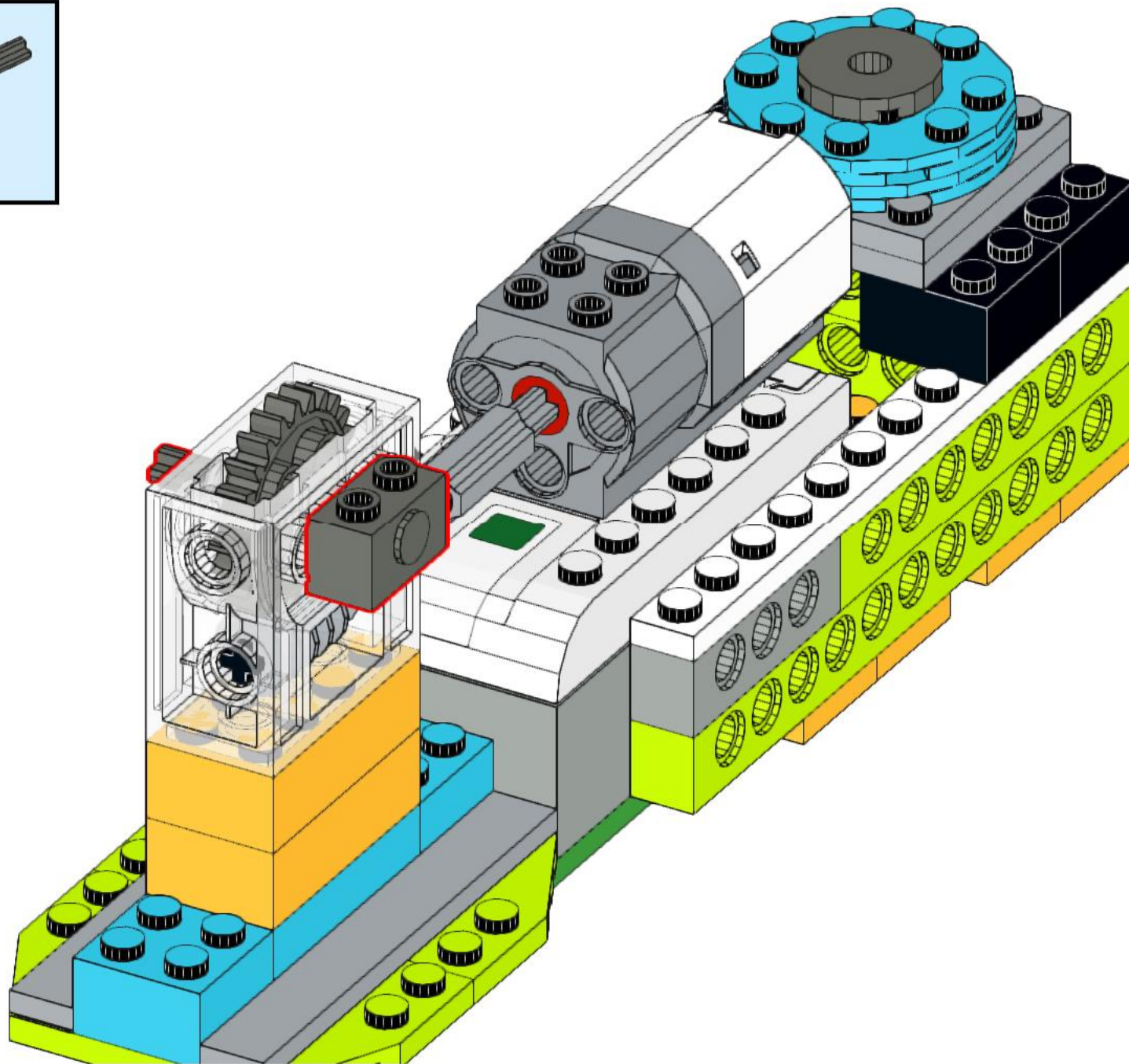
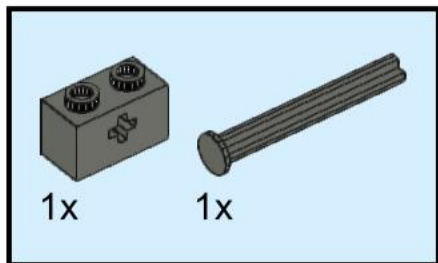


# 14



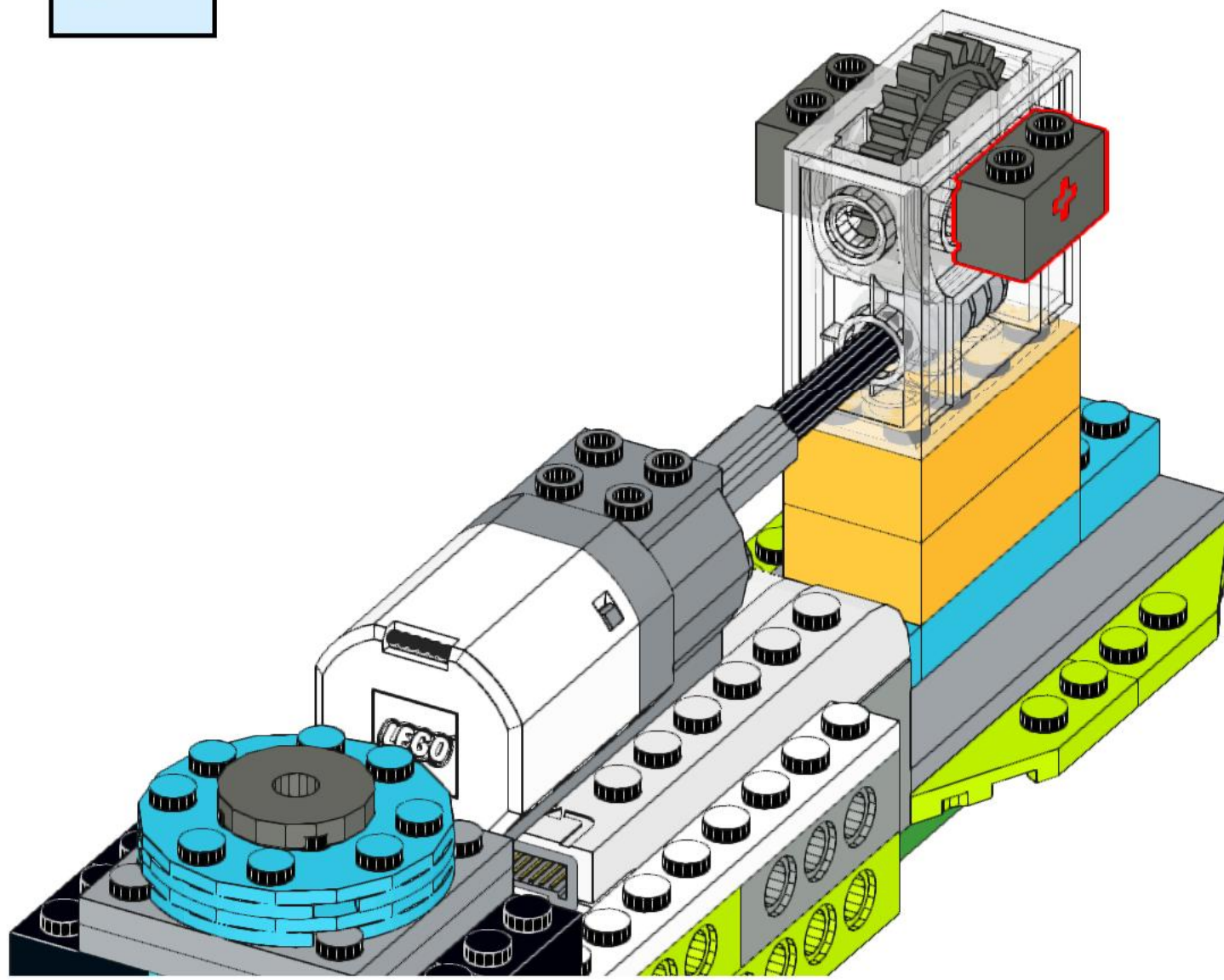
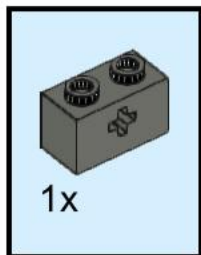


# 15

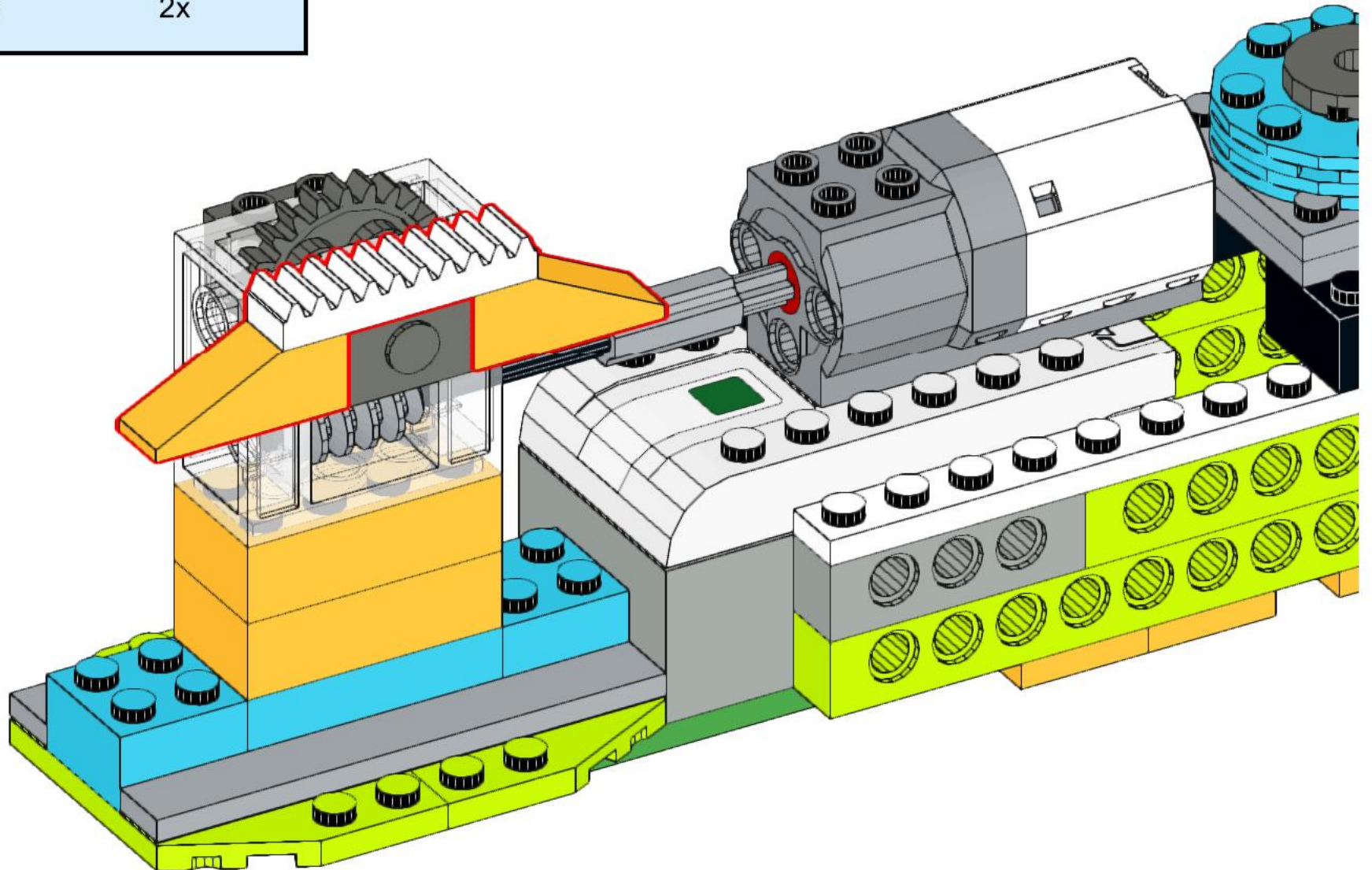
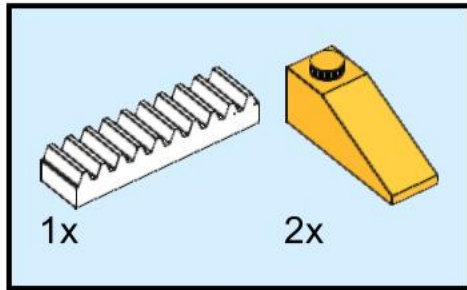




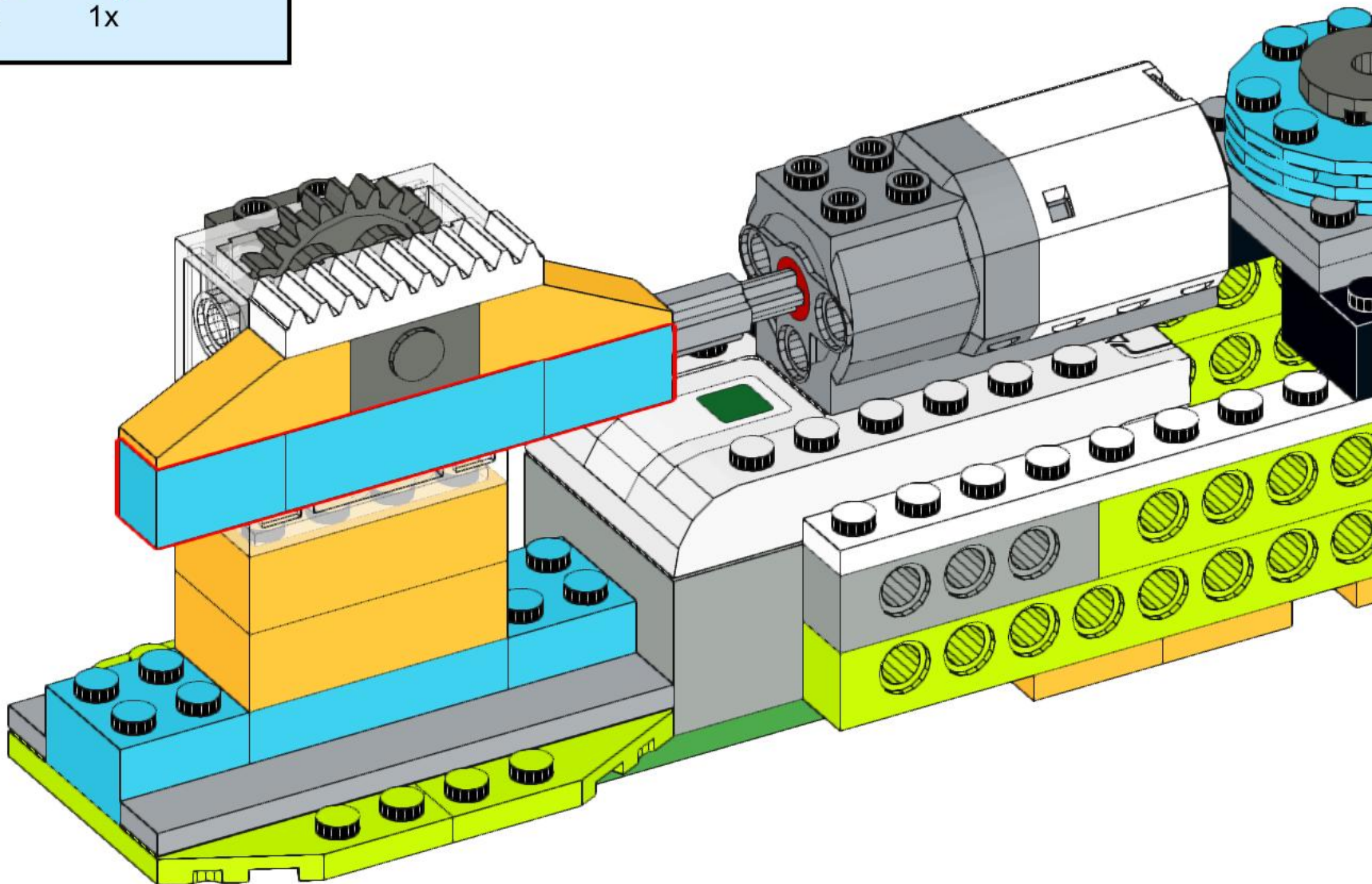
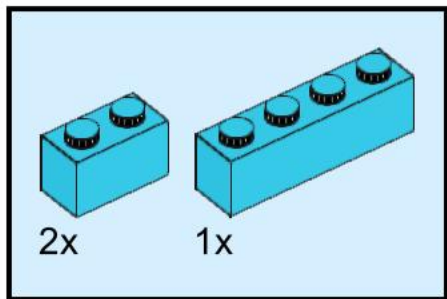
# 16



# 17

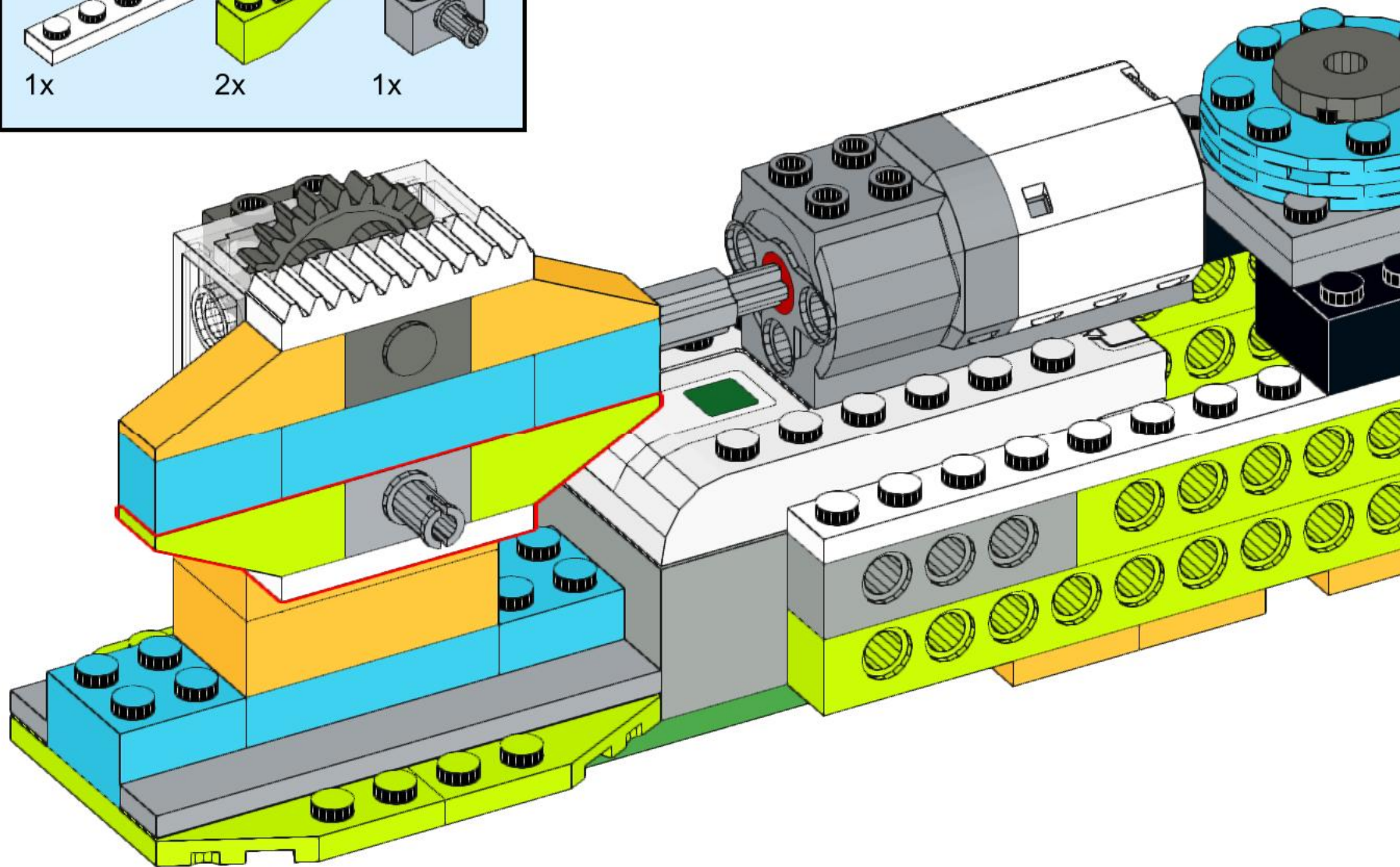
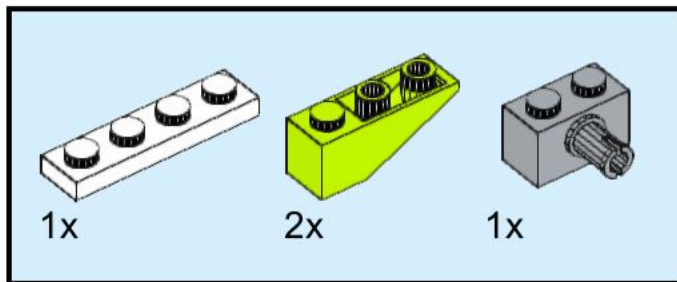


# 18

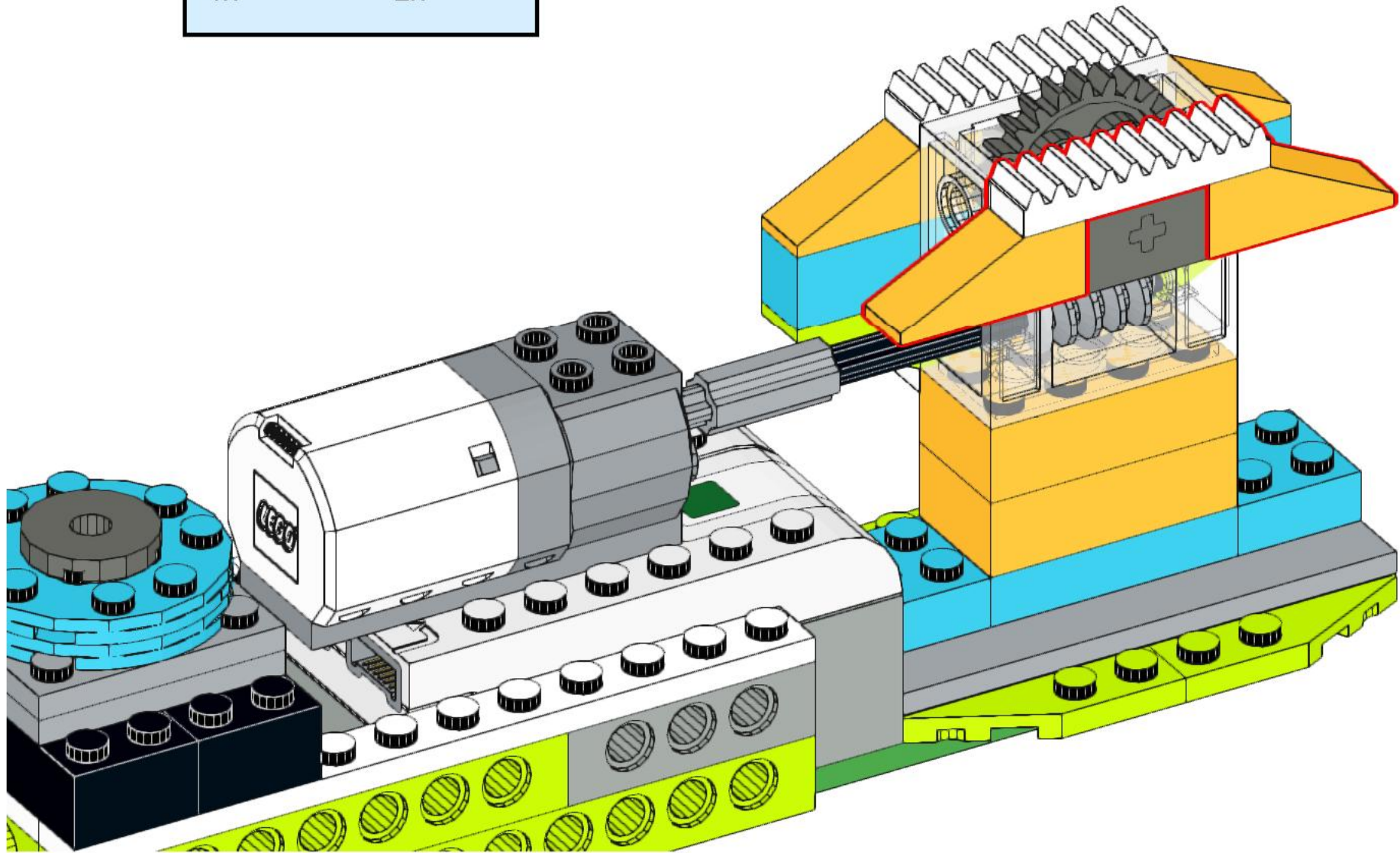
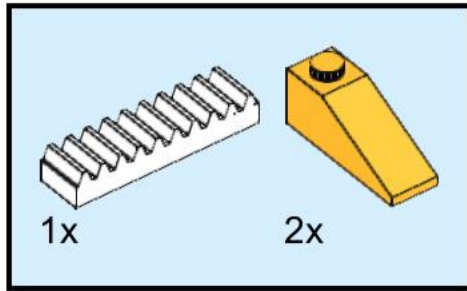




# 19



# 20

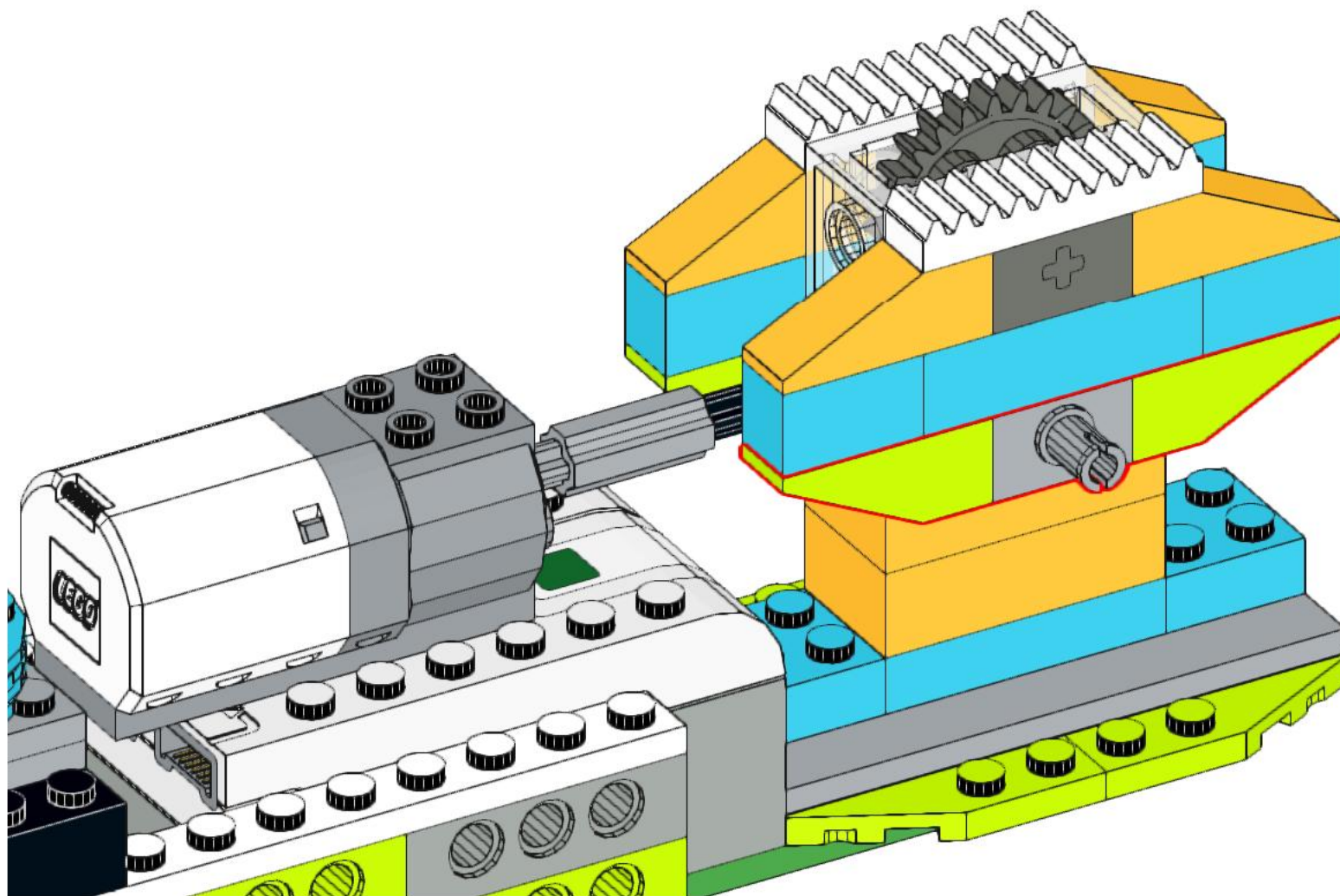
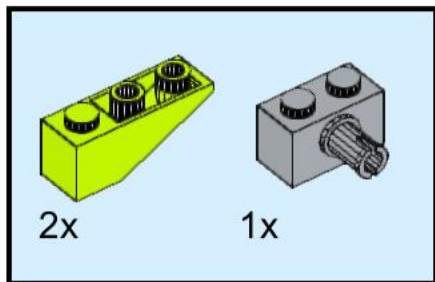




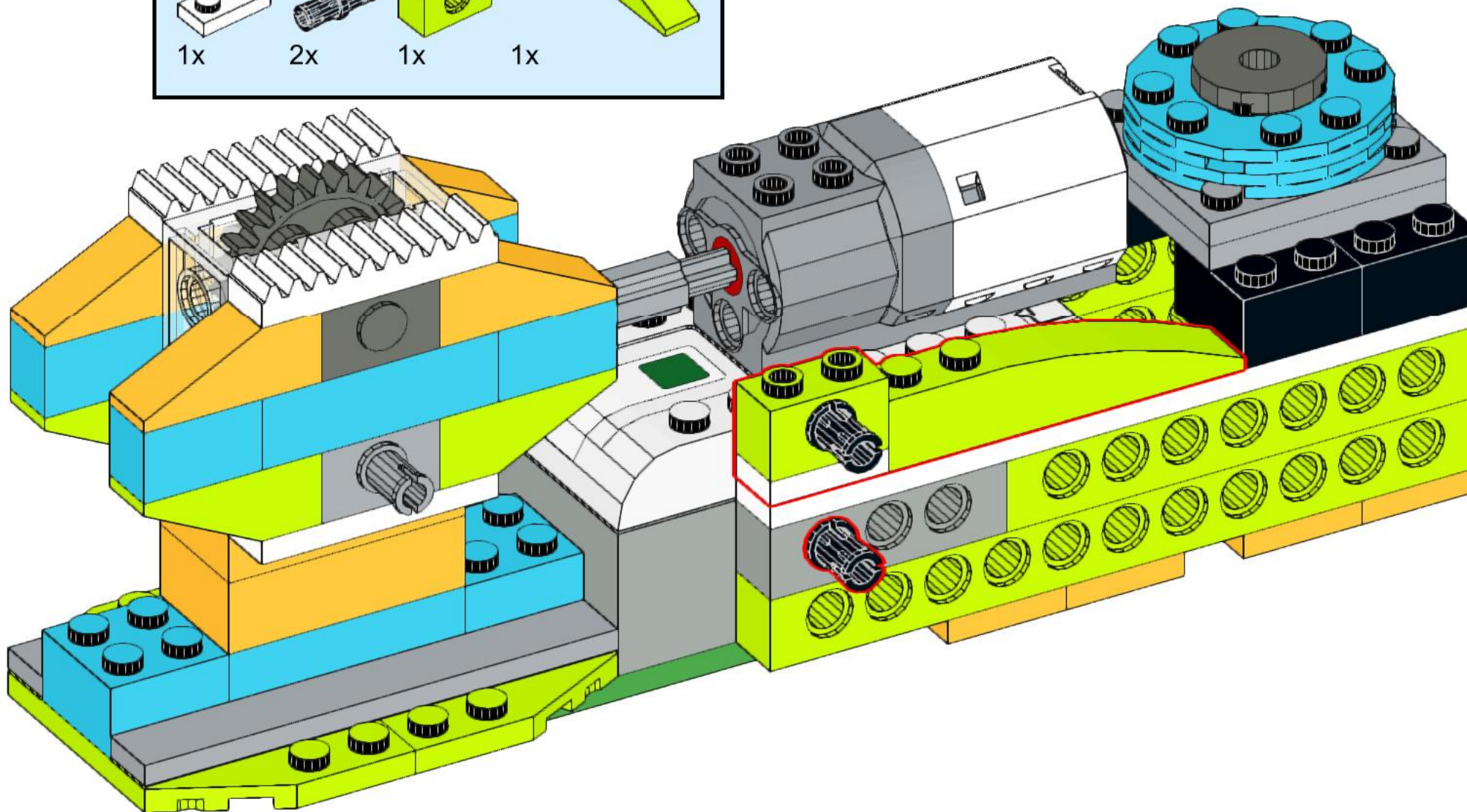
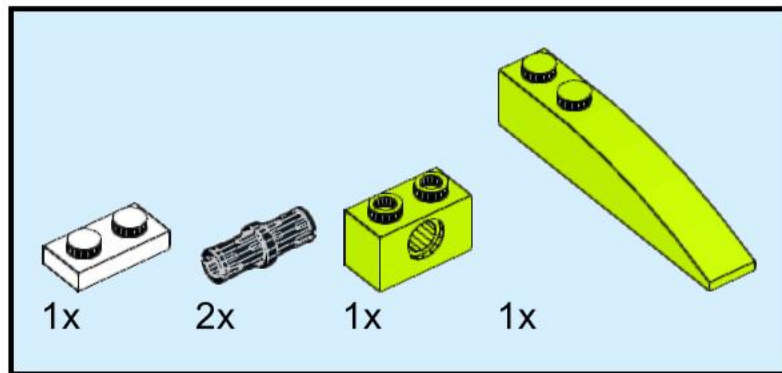




# 22

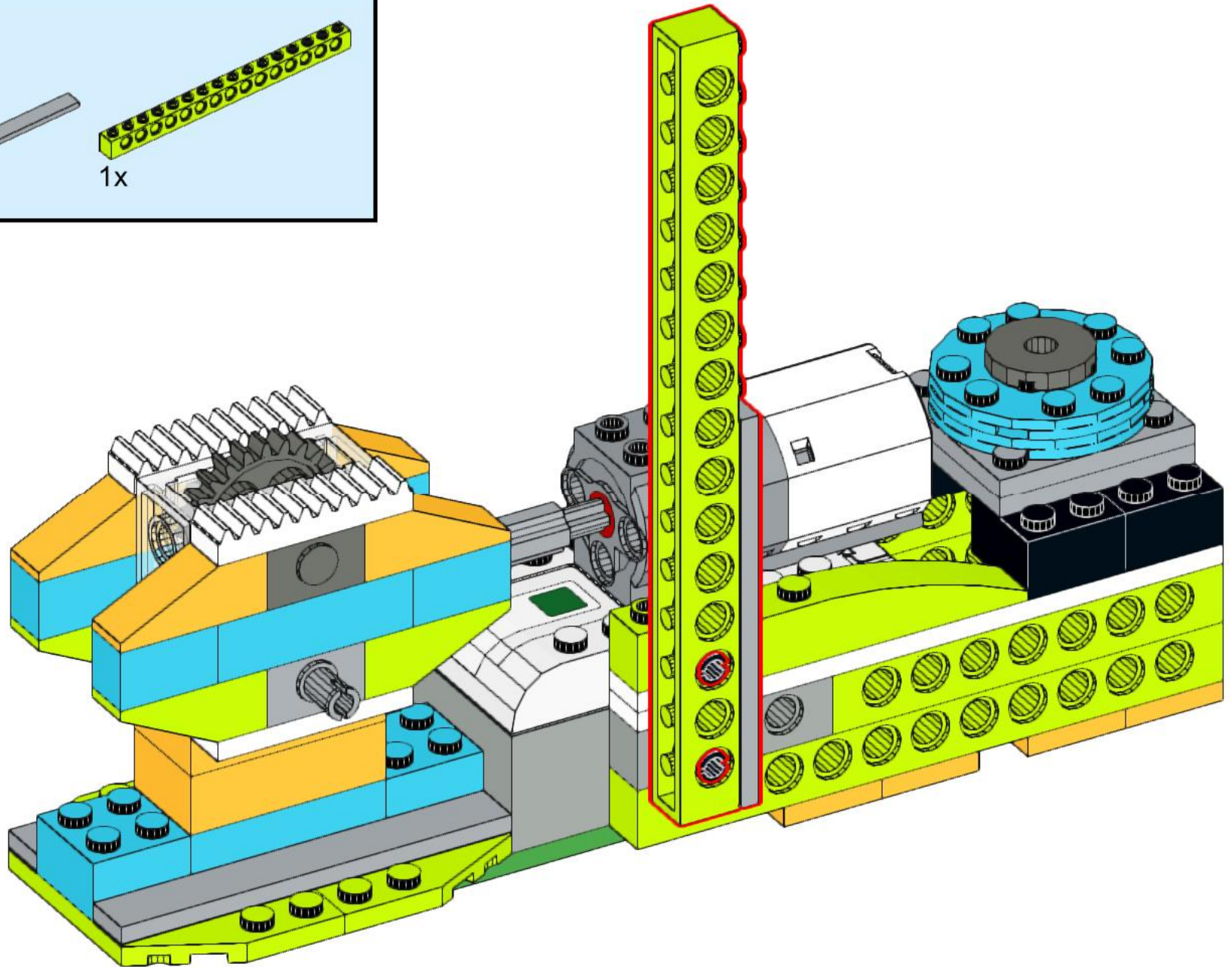
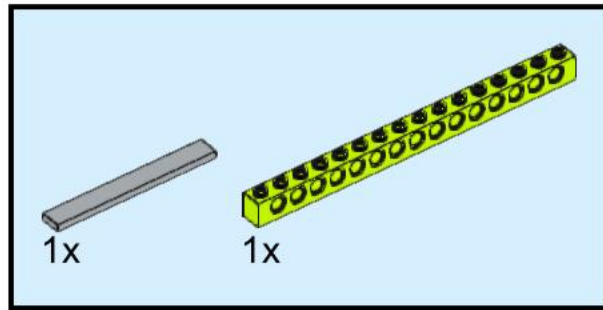


# 23



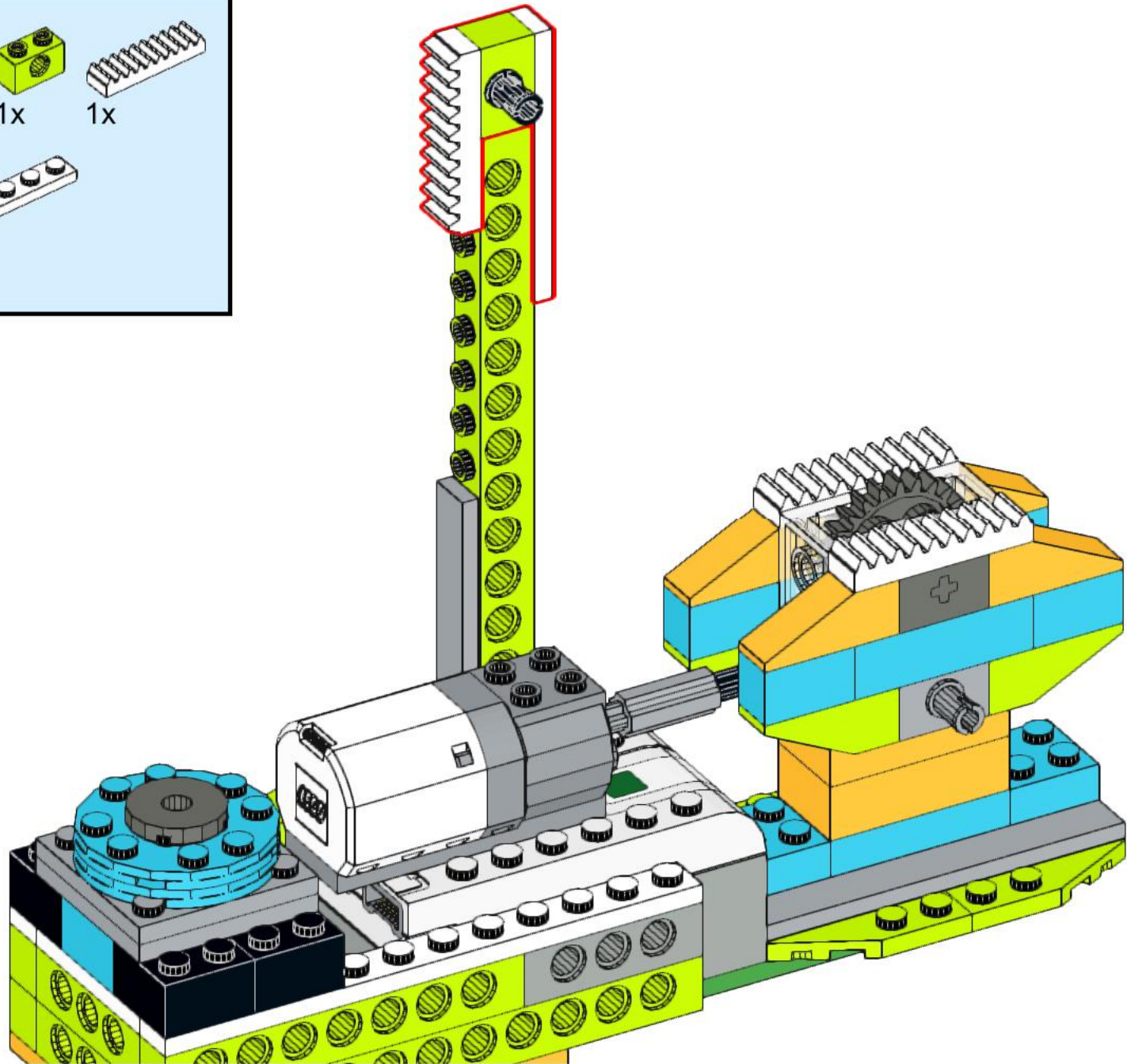
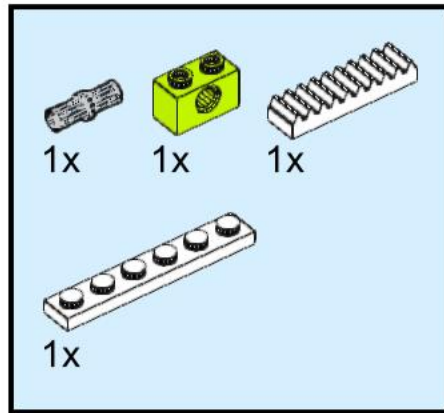


# 24

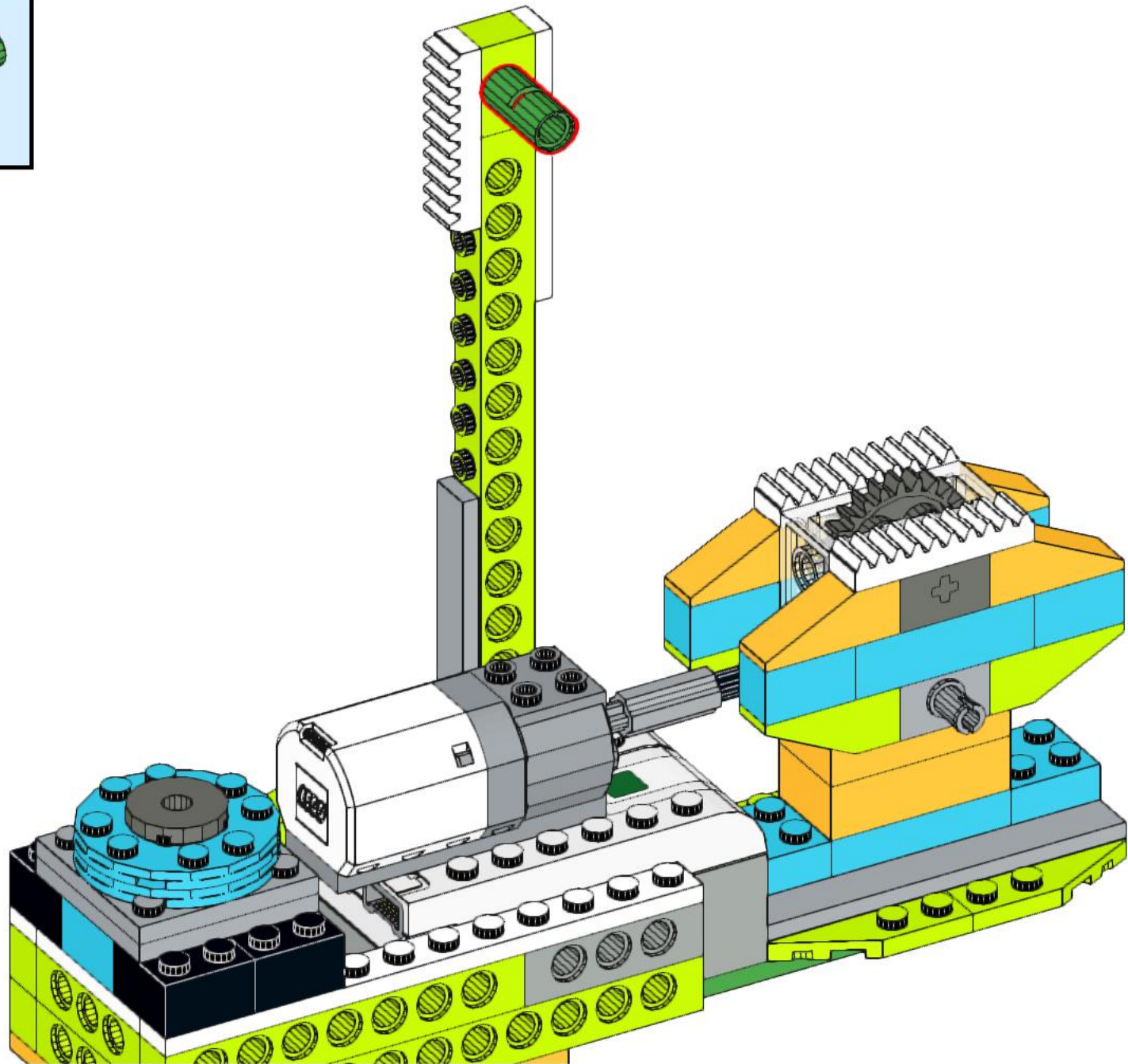
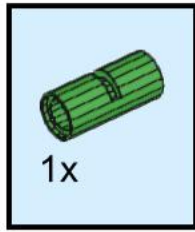




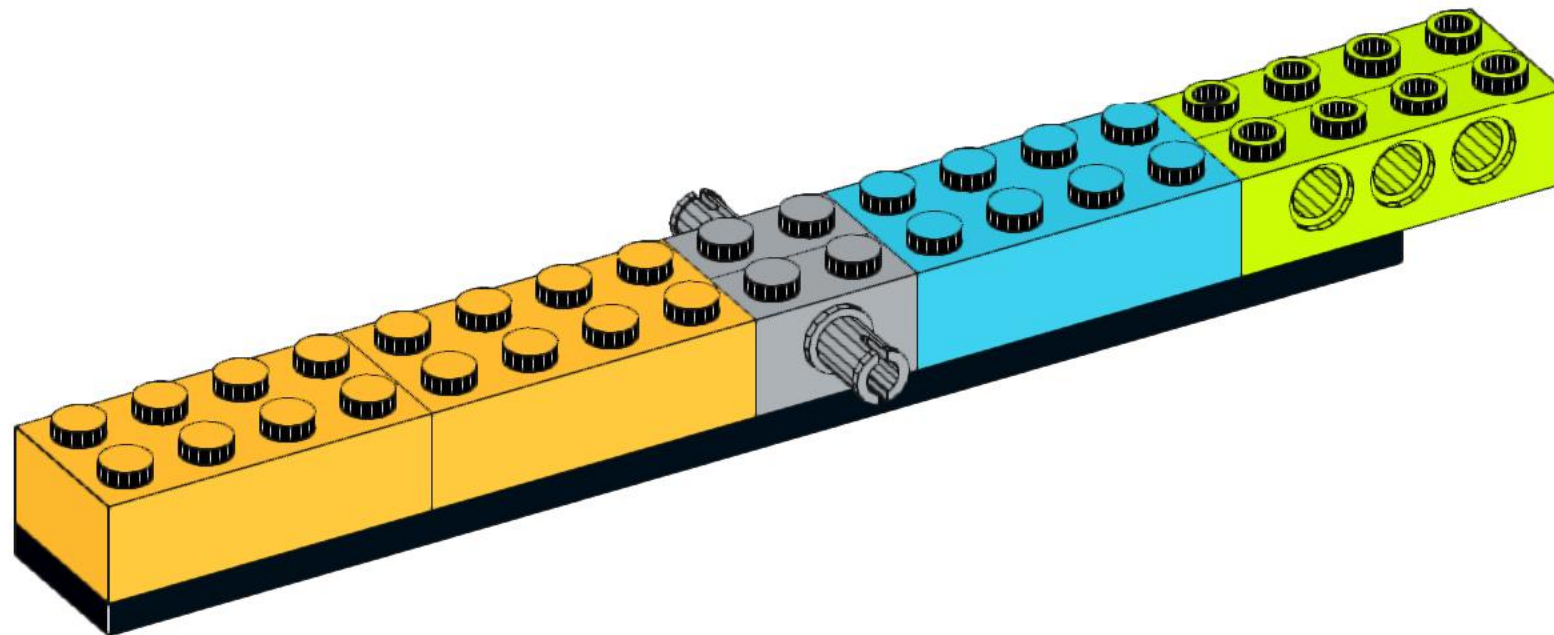
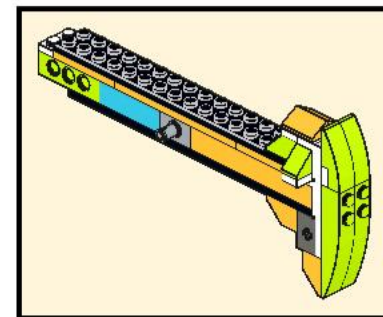
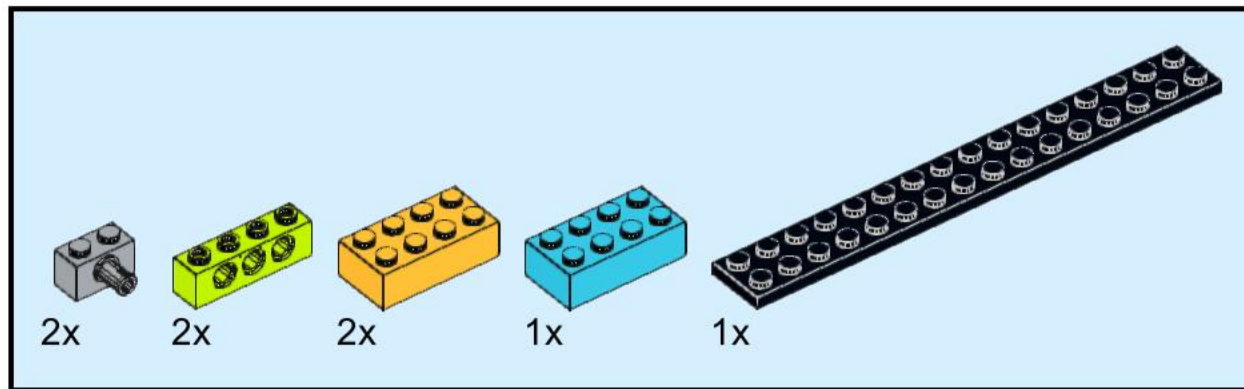
# 25



# 26

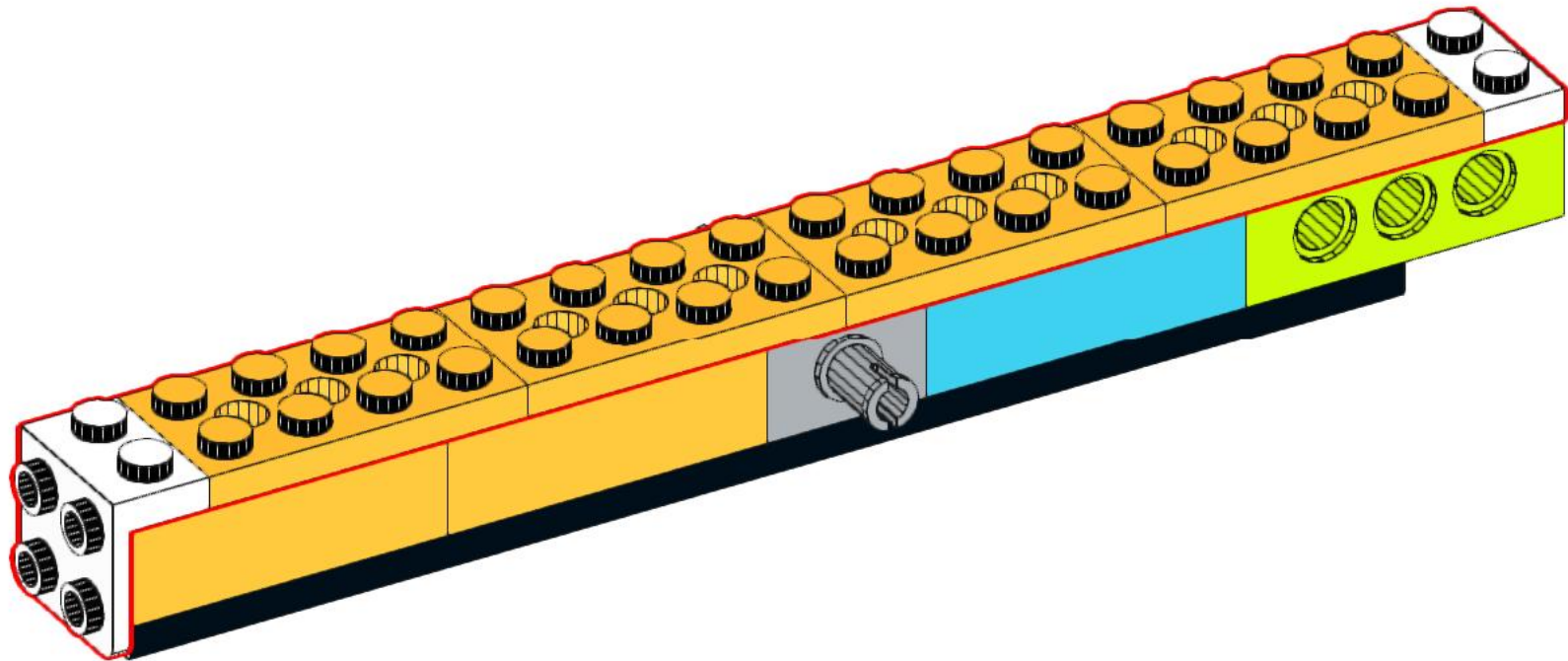
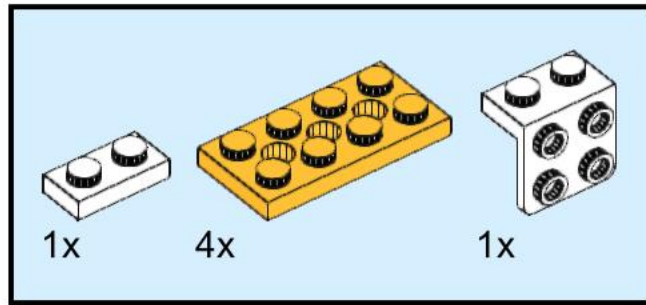


# 27

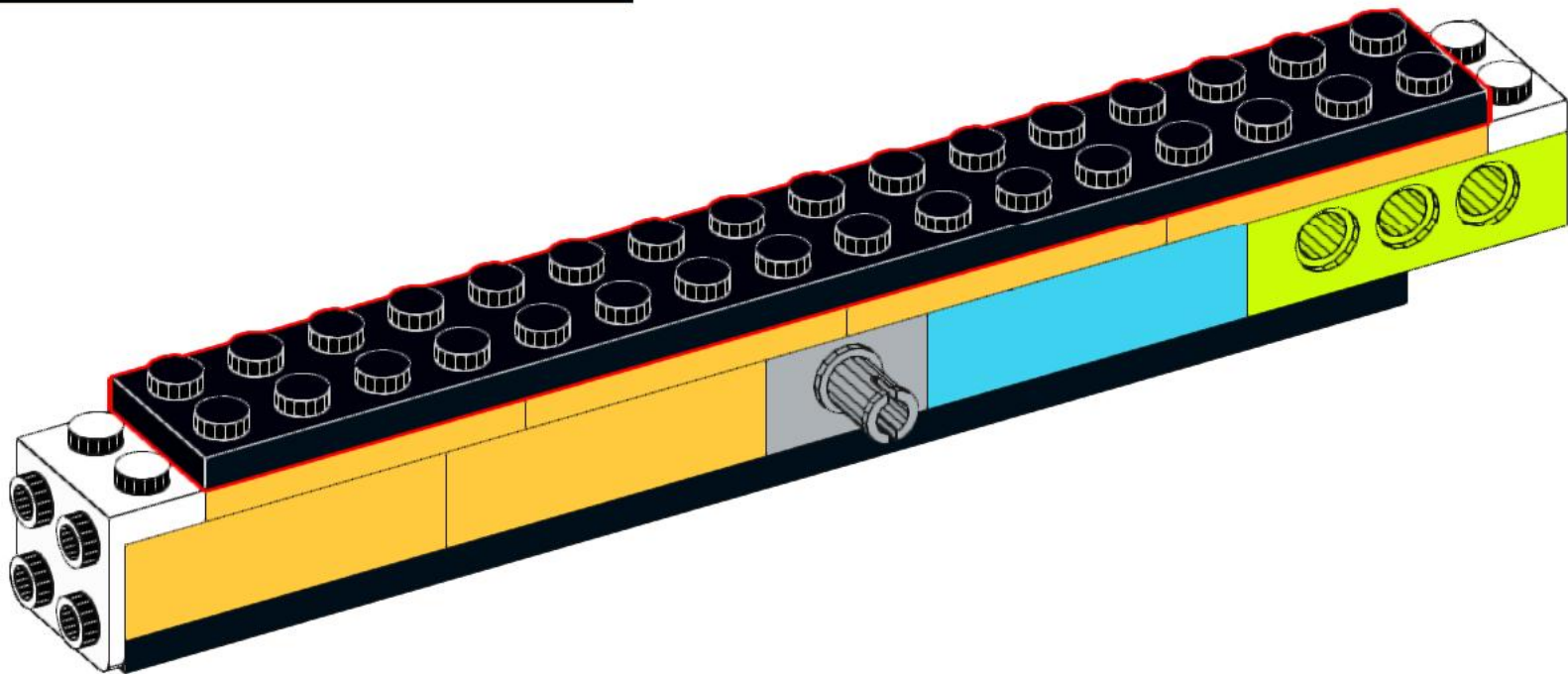
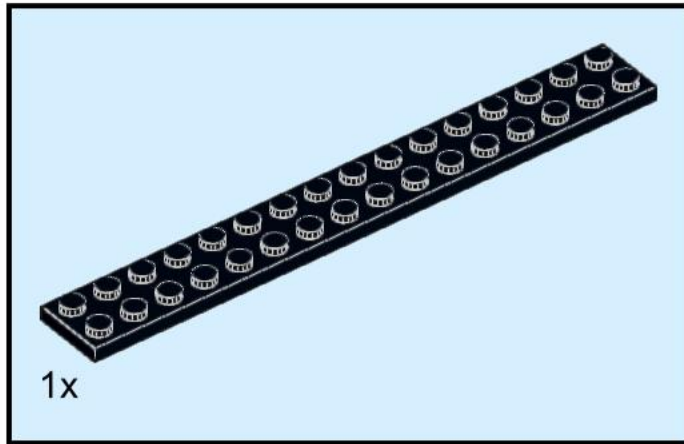




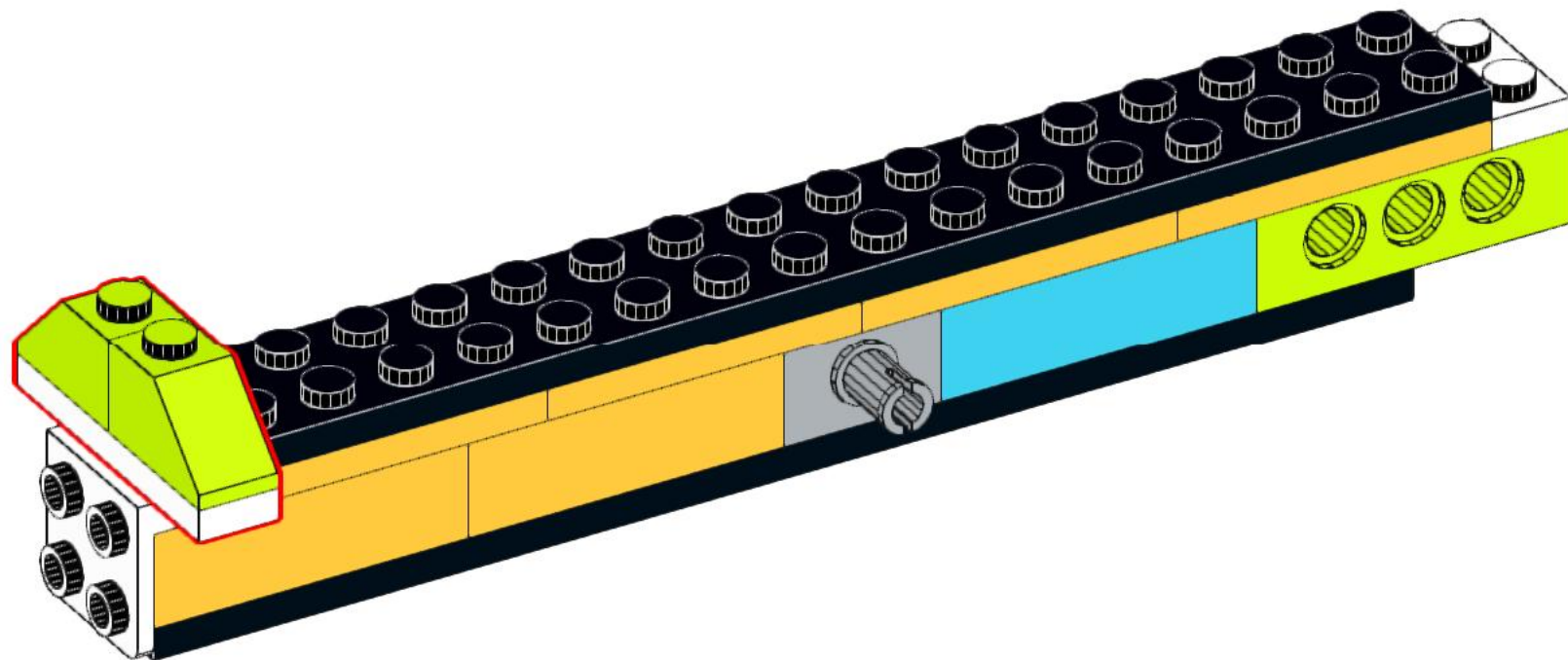
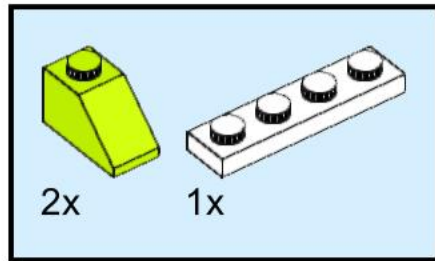
# 28



# 29

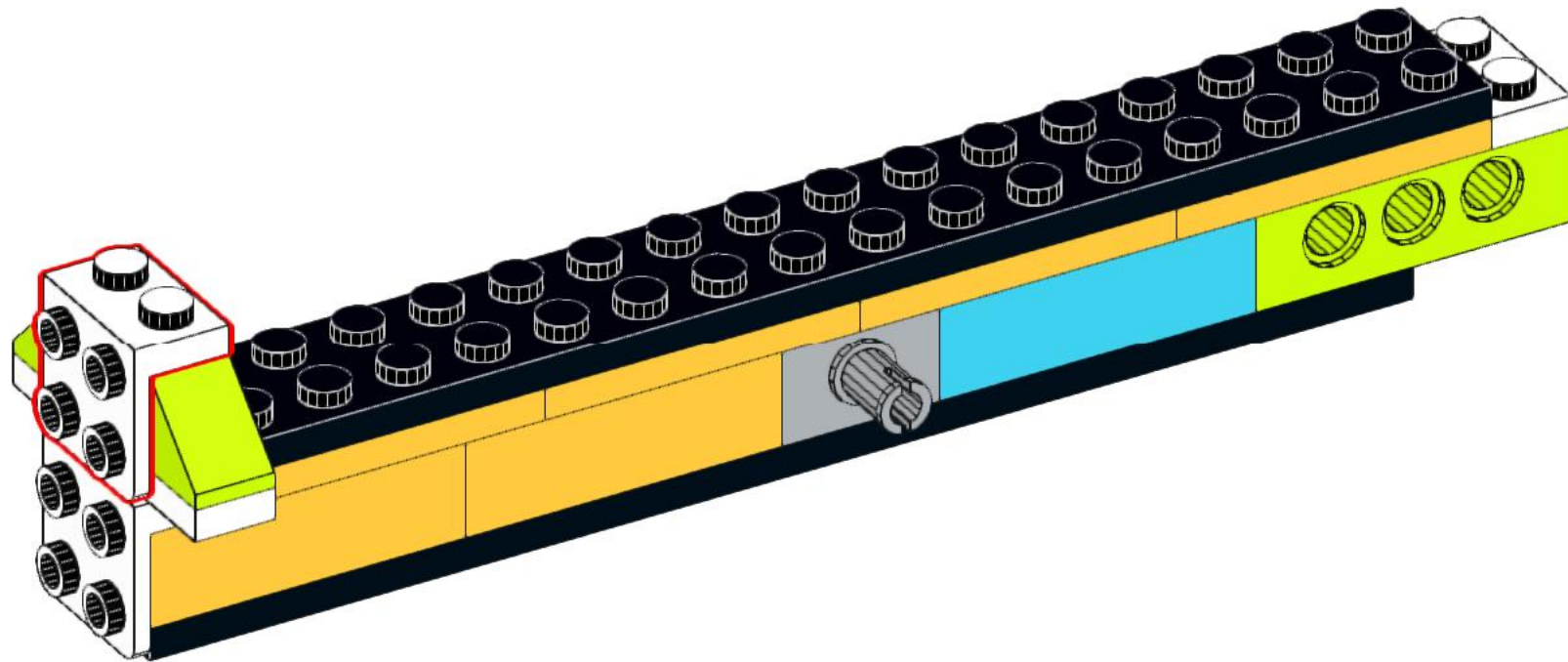
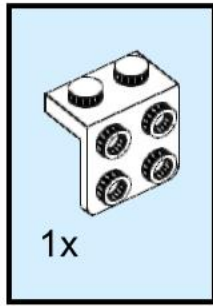


# 30

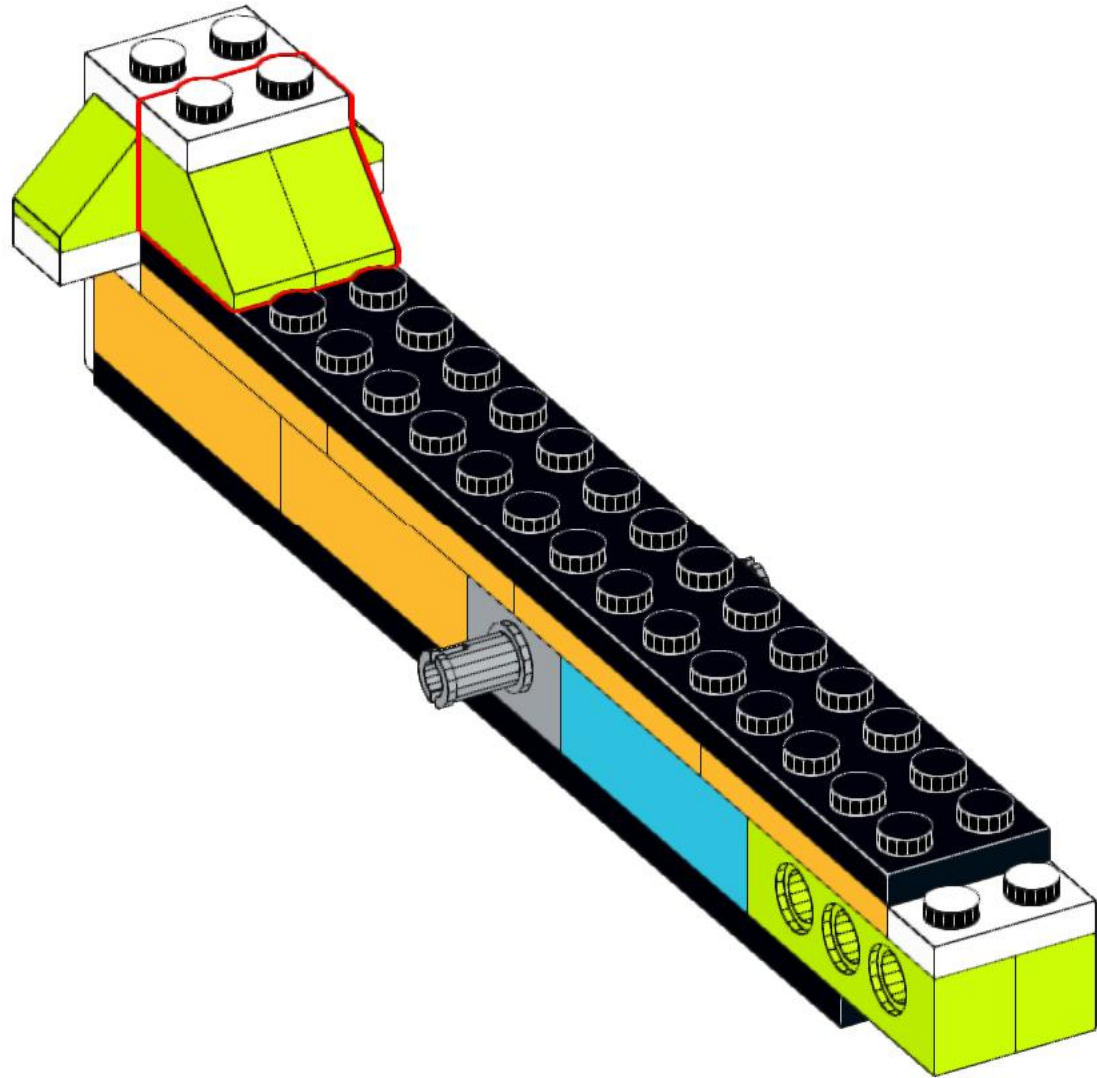
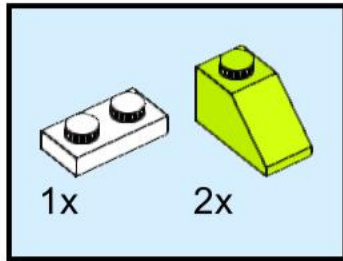




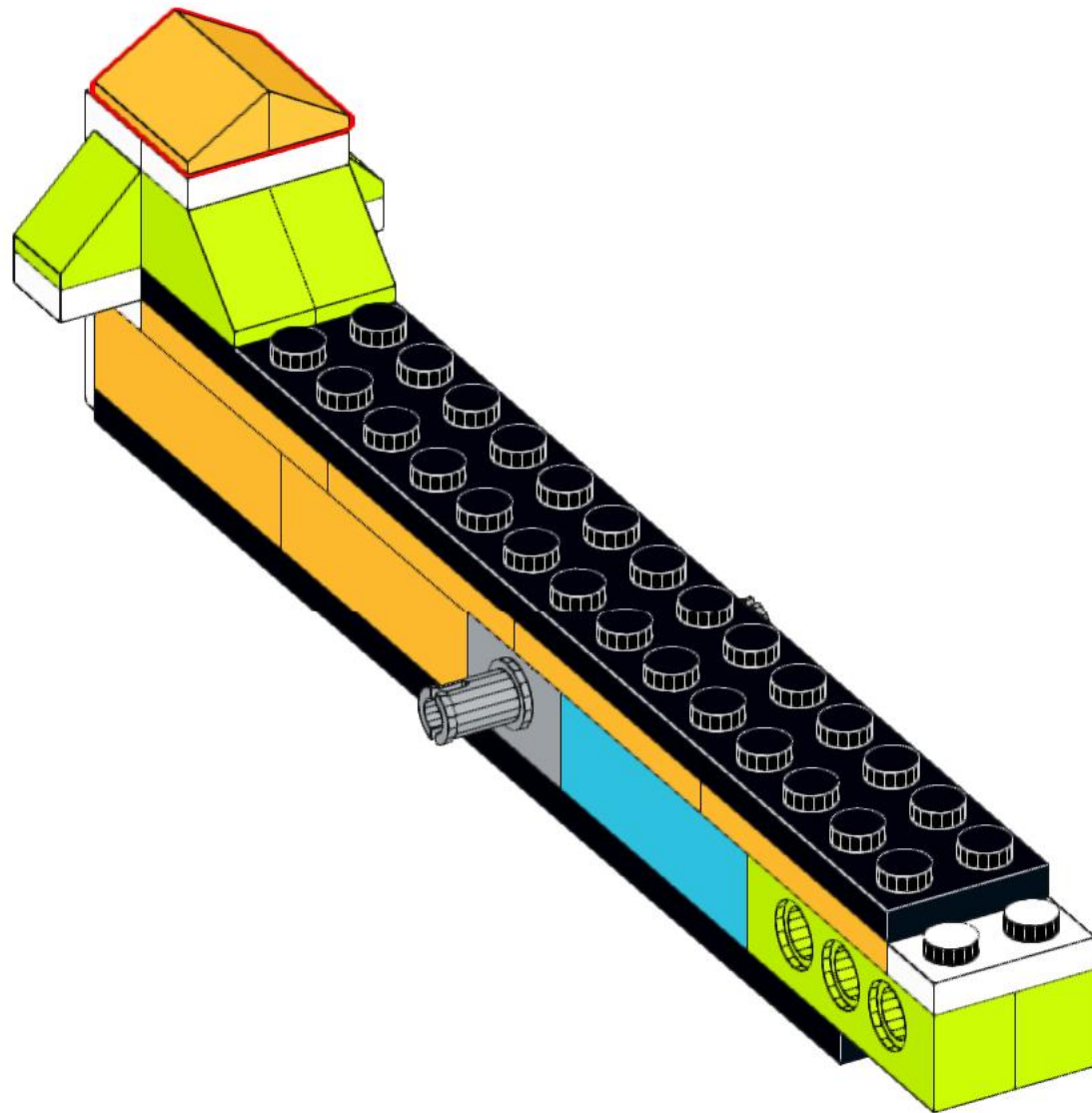
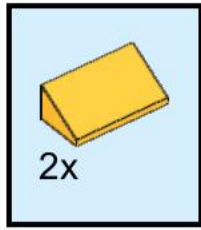
# 31



# 32

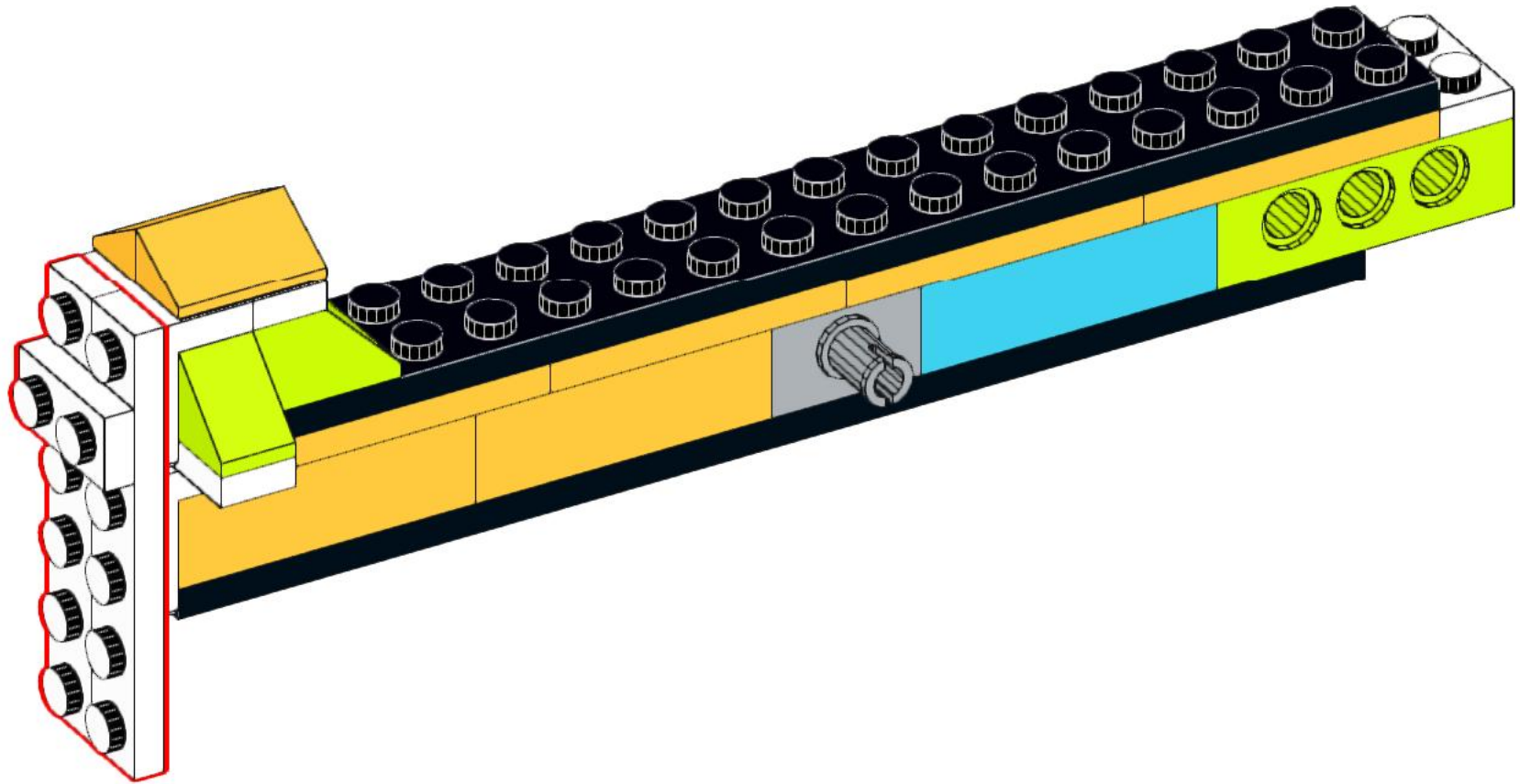
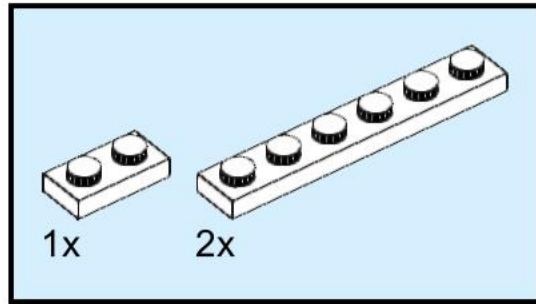


# 33

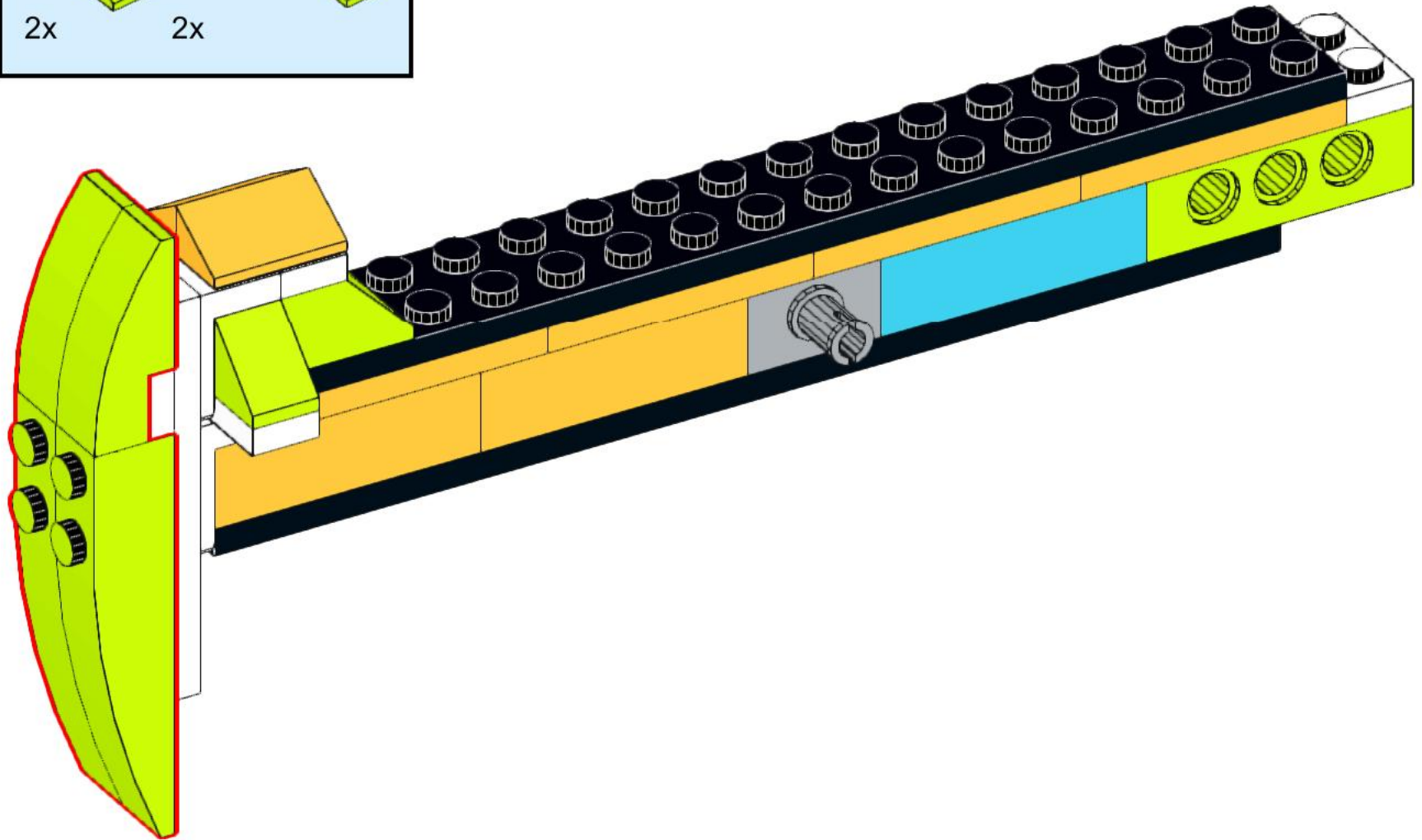
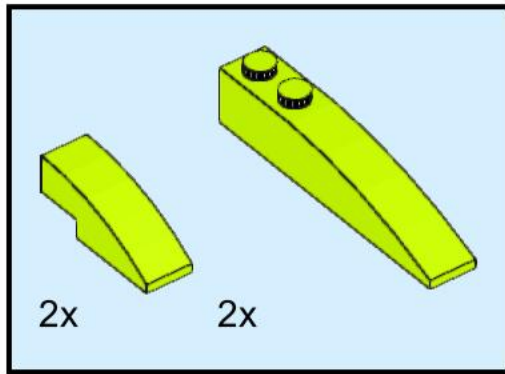




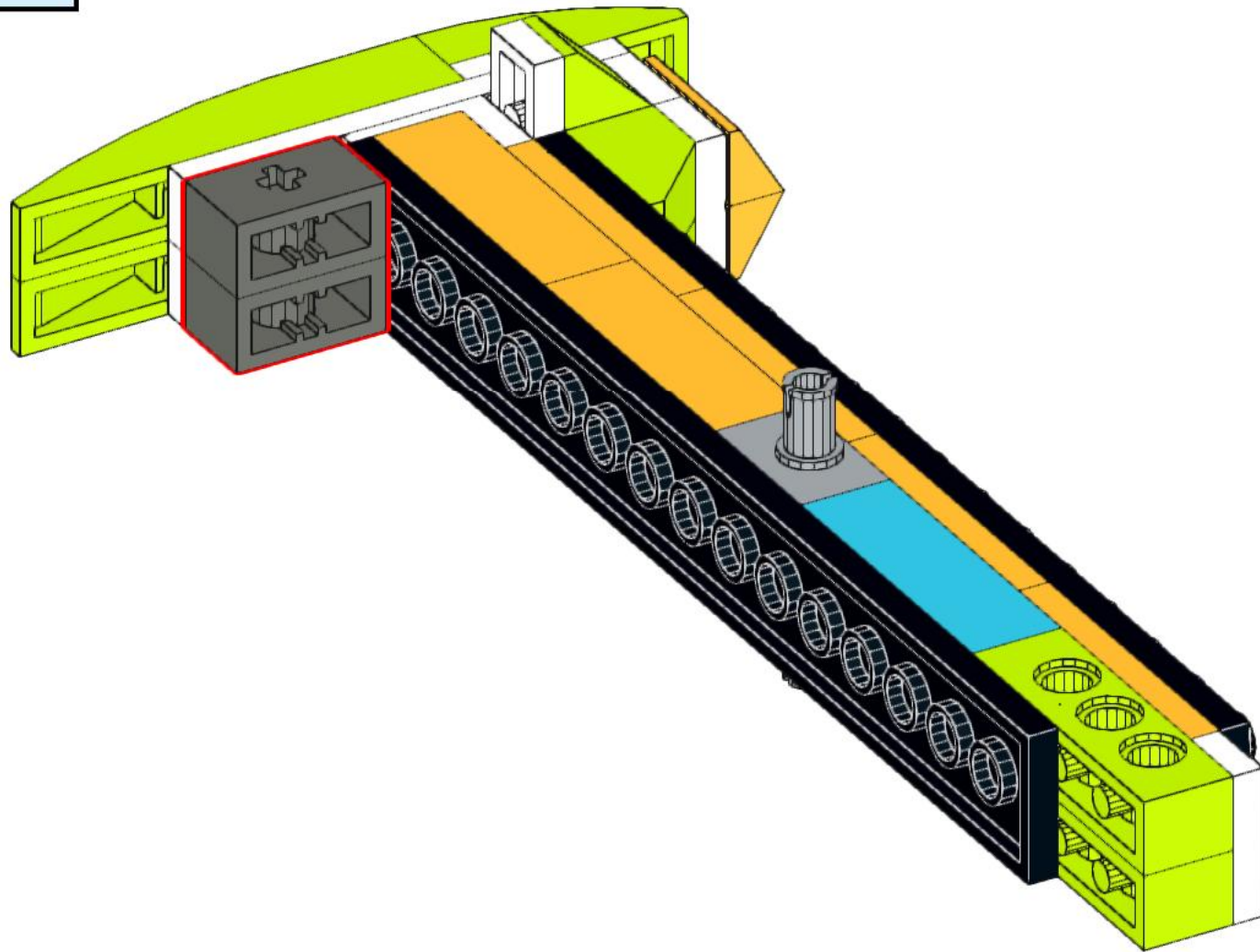
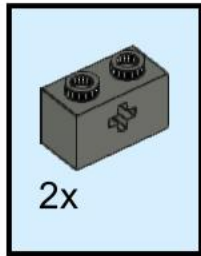
# 34



# 35

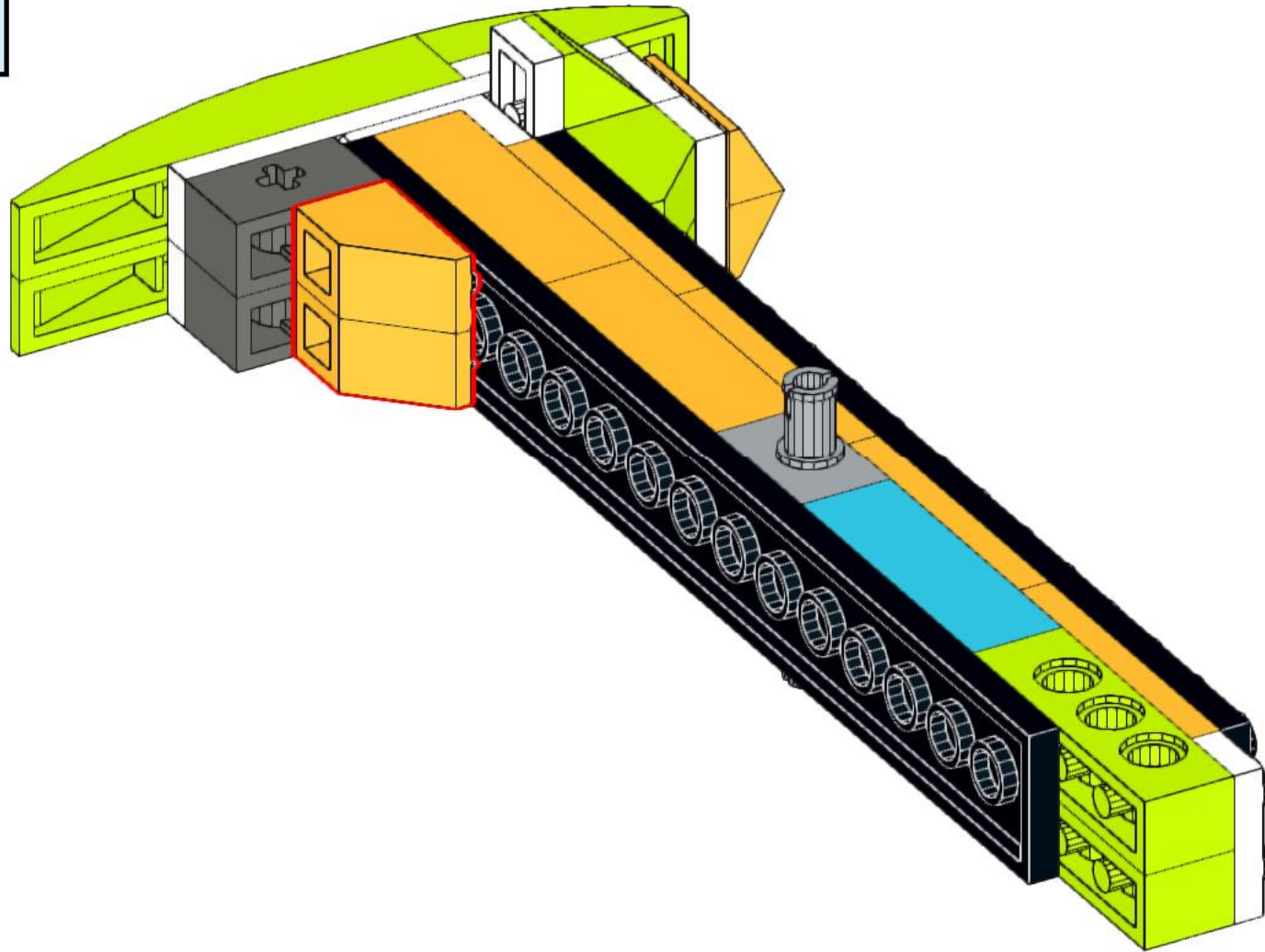
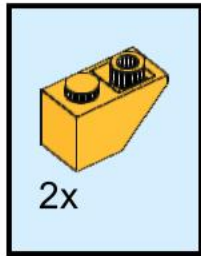


# 36

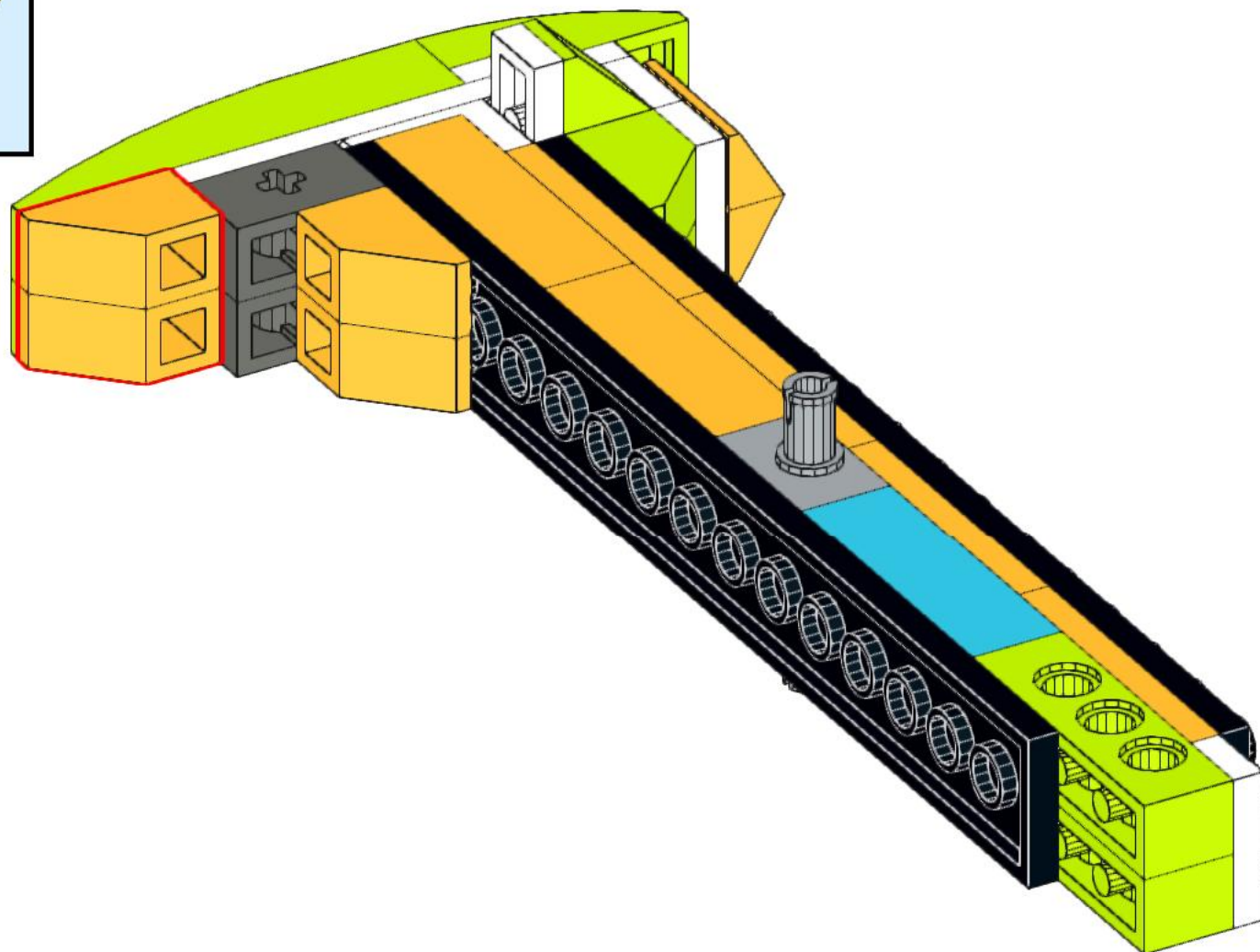
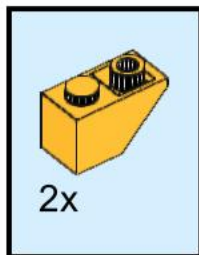




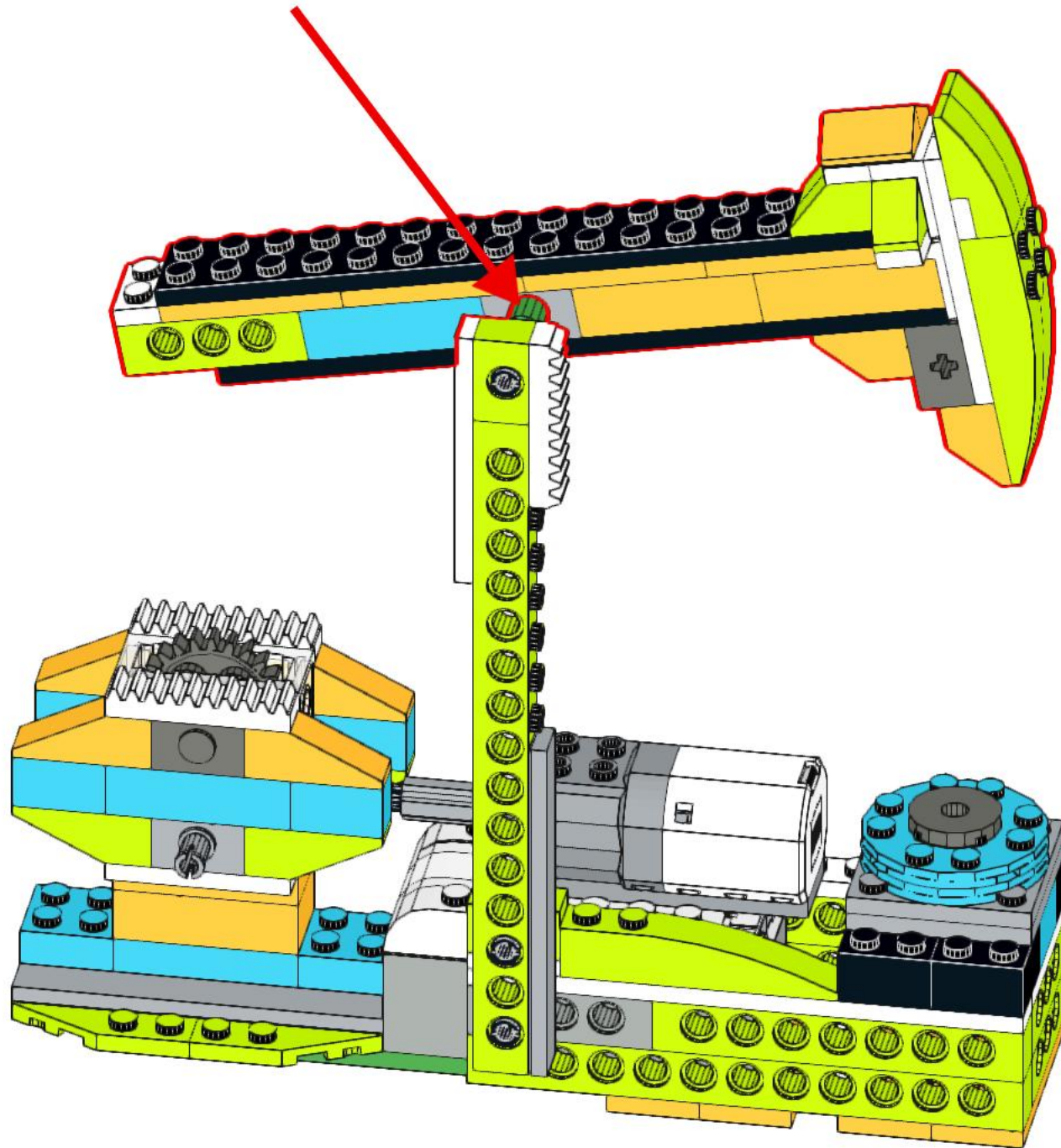
# 37



# 38

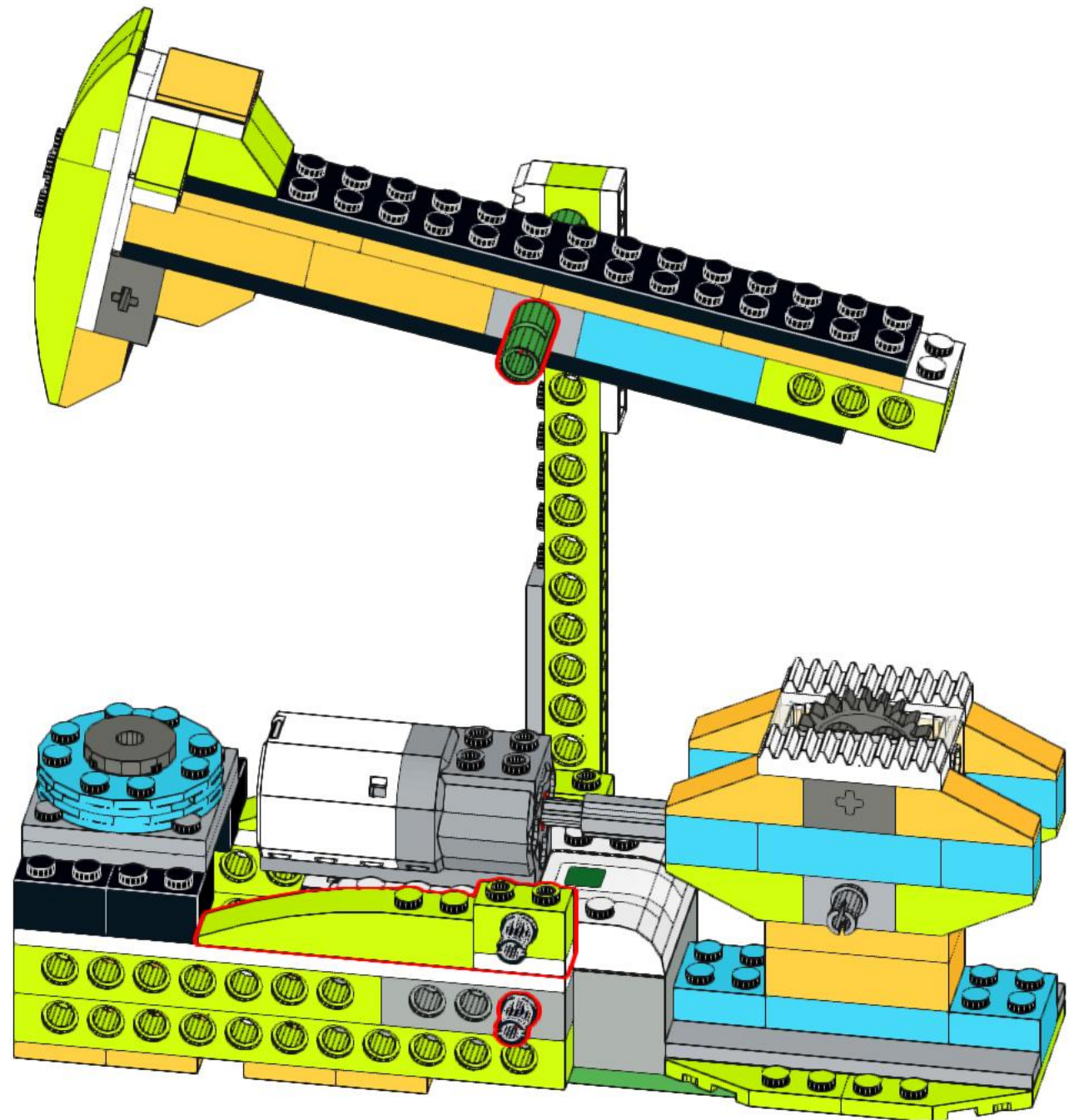
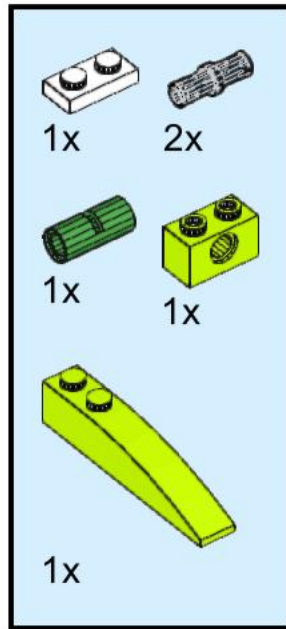


# 39

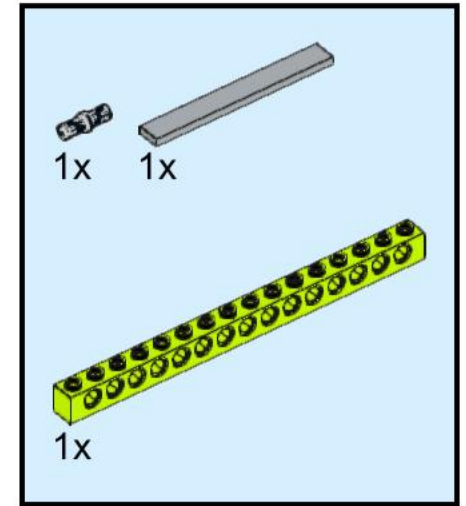
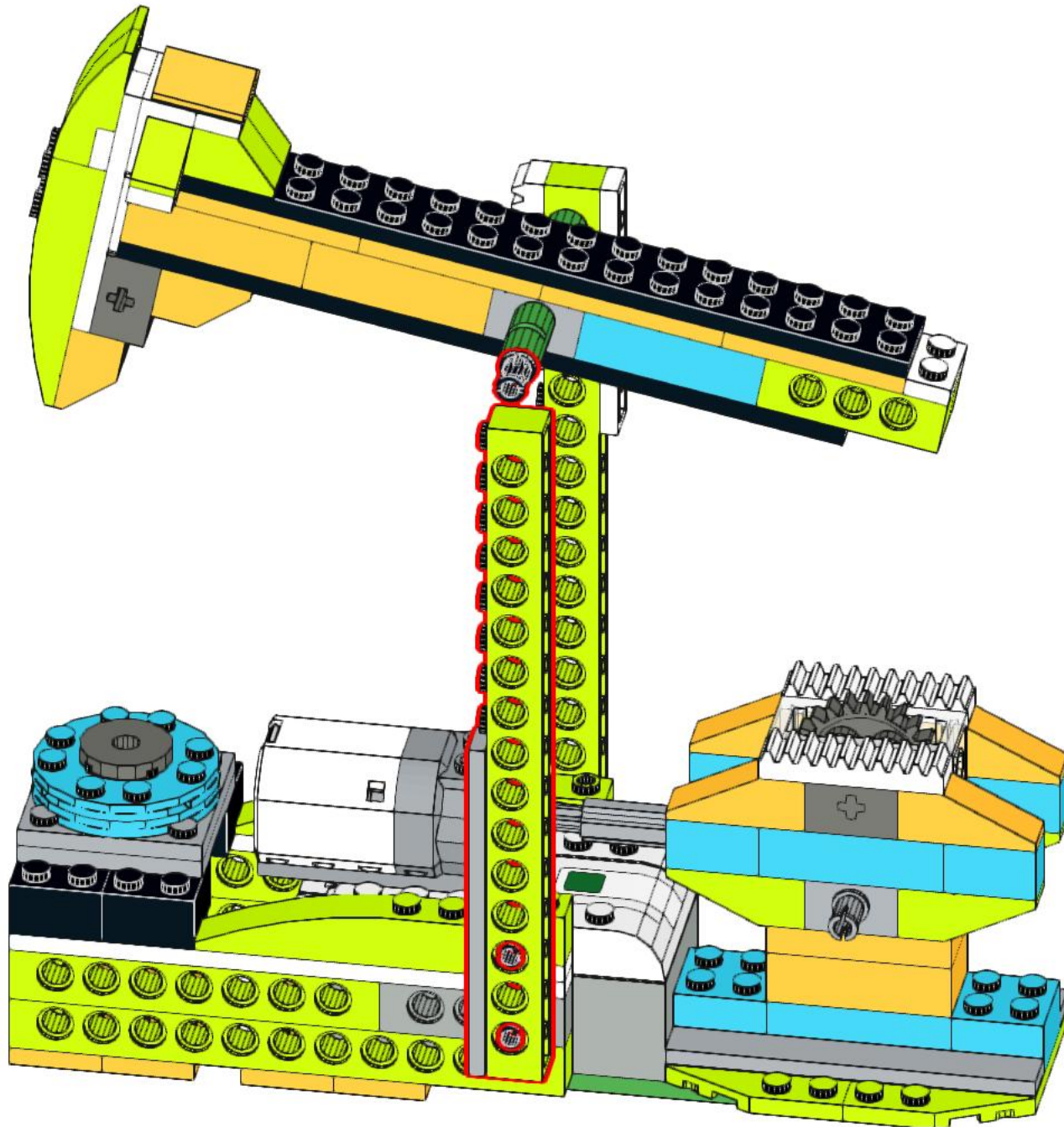




# 40

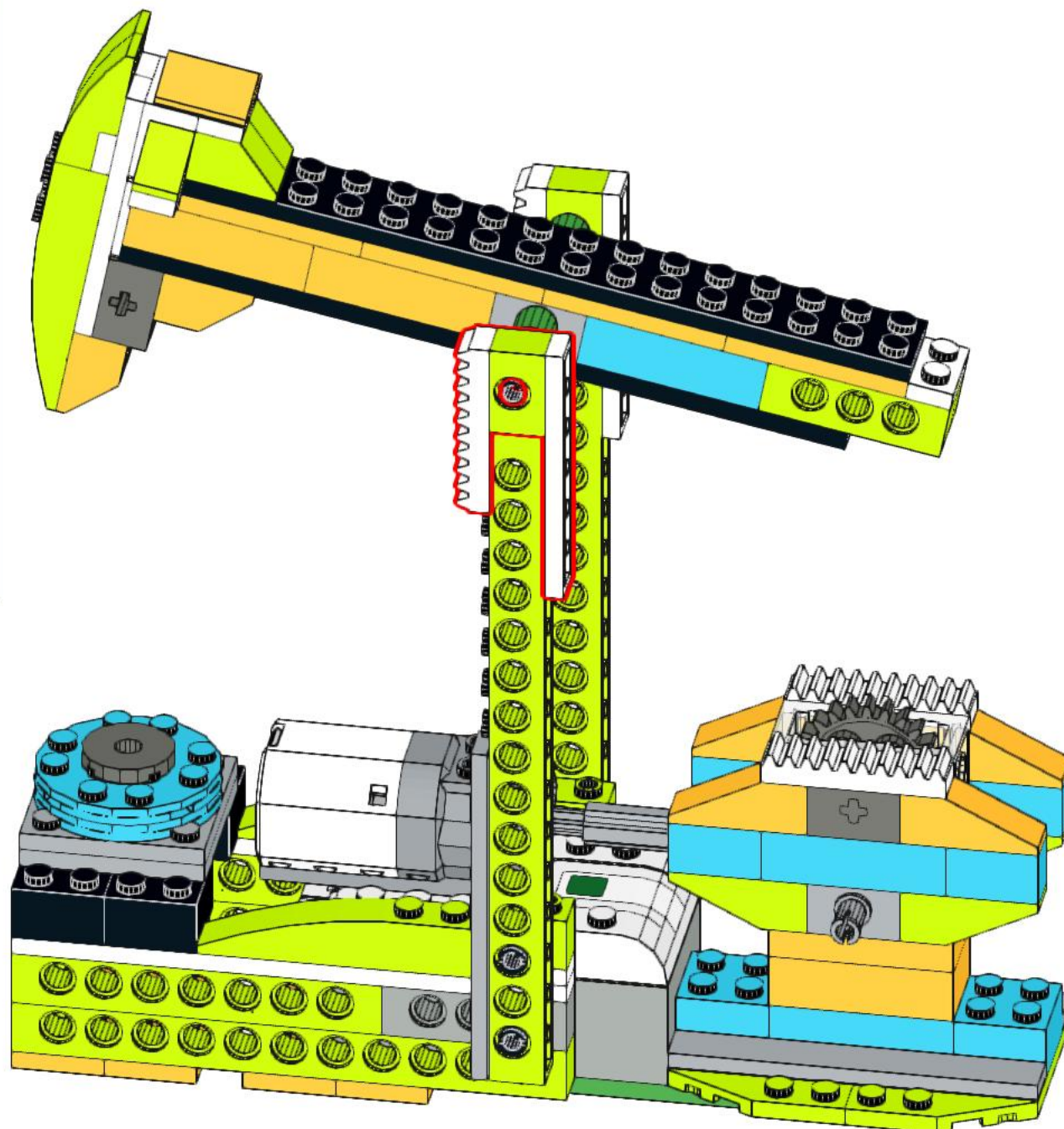
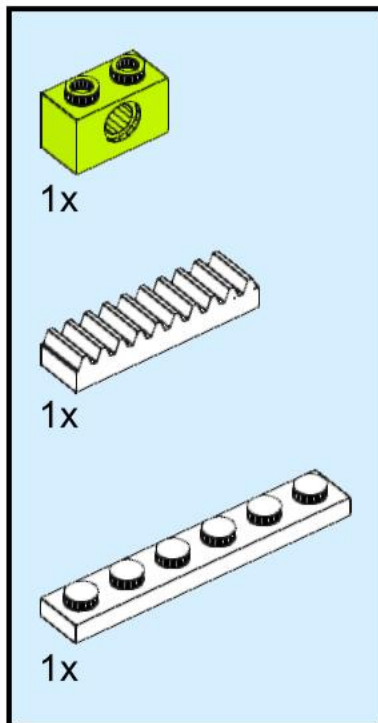


# 41



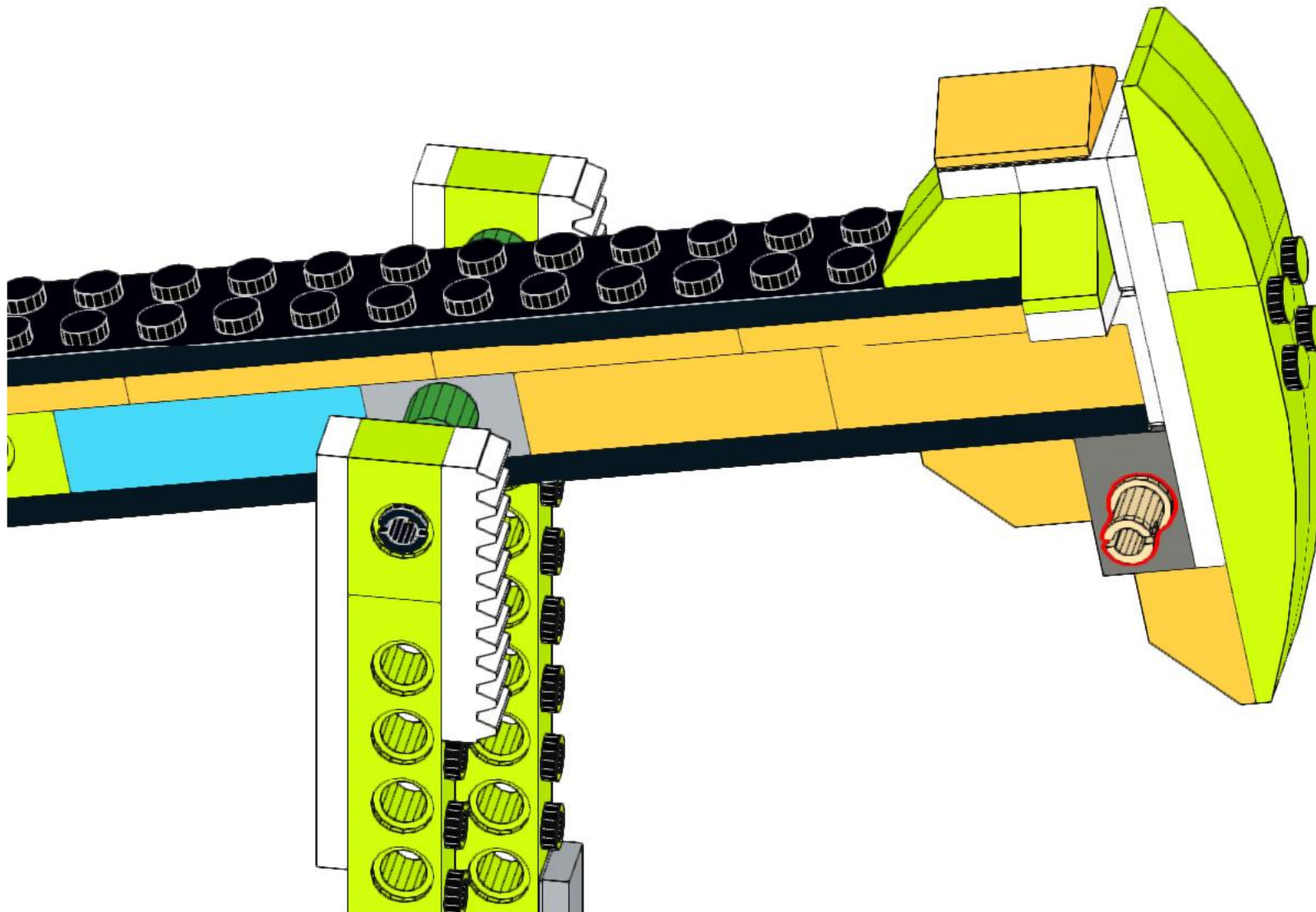
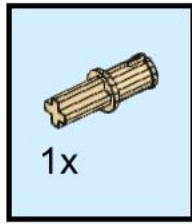


# 42

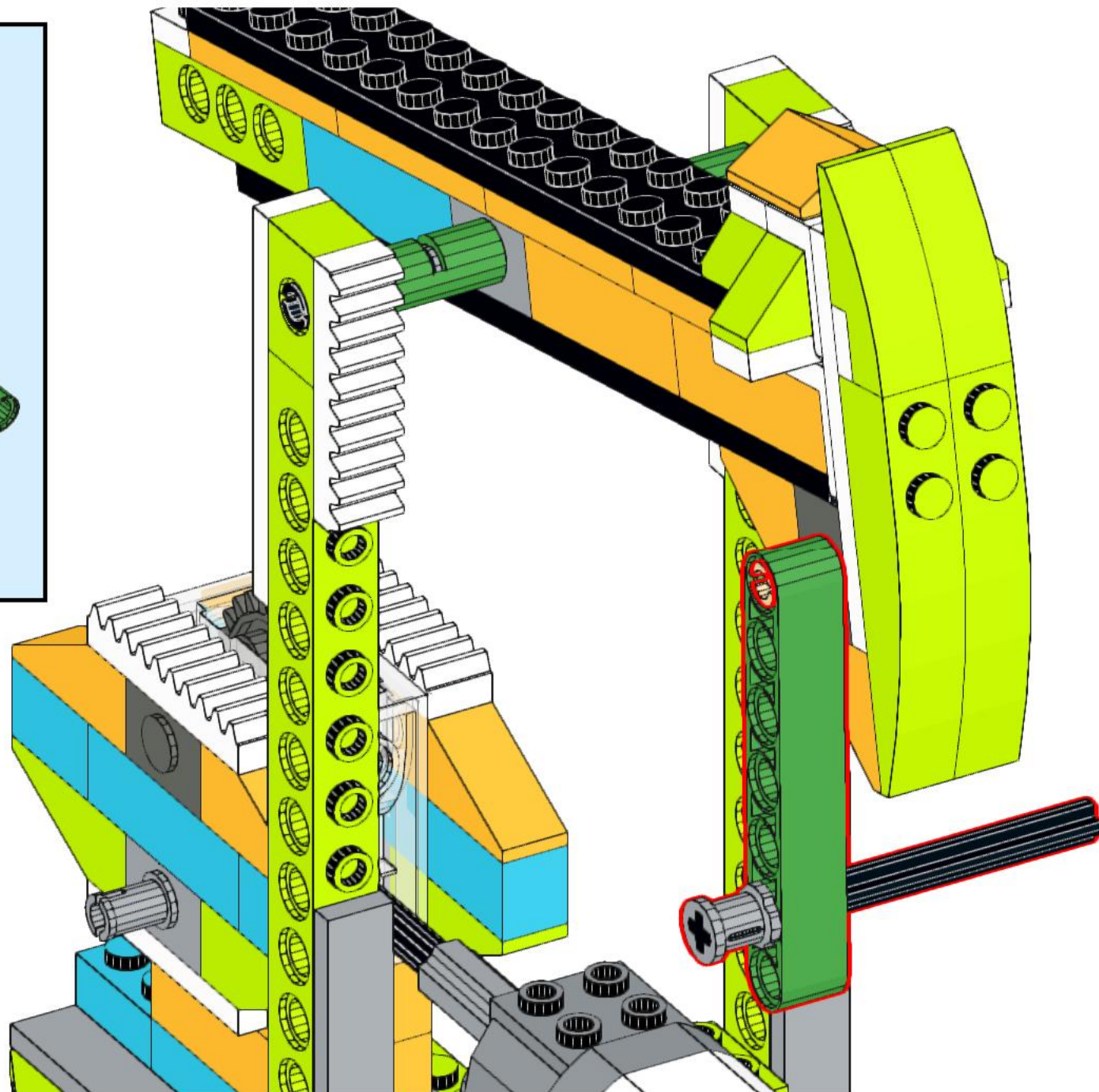
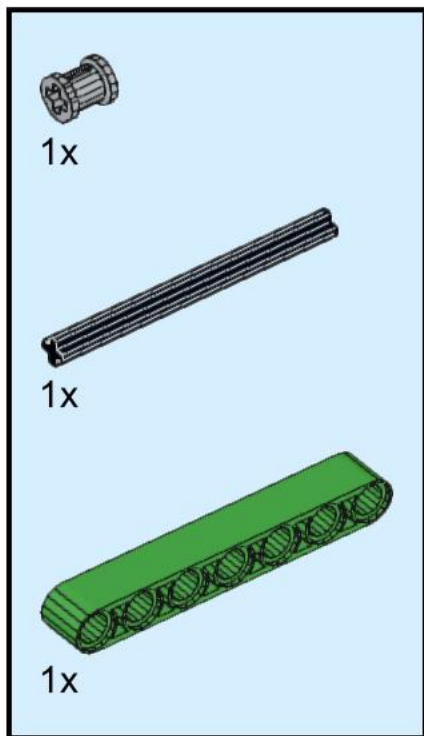




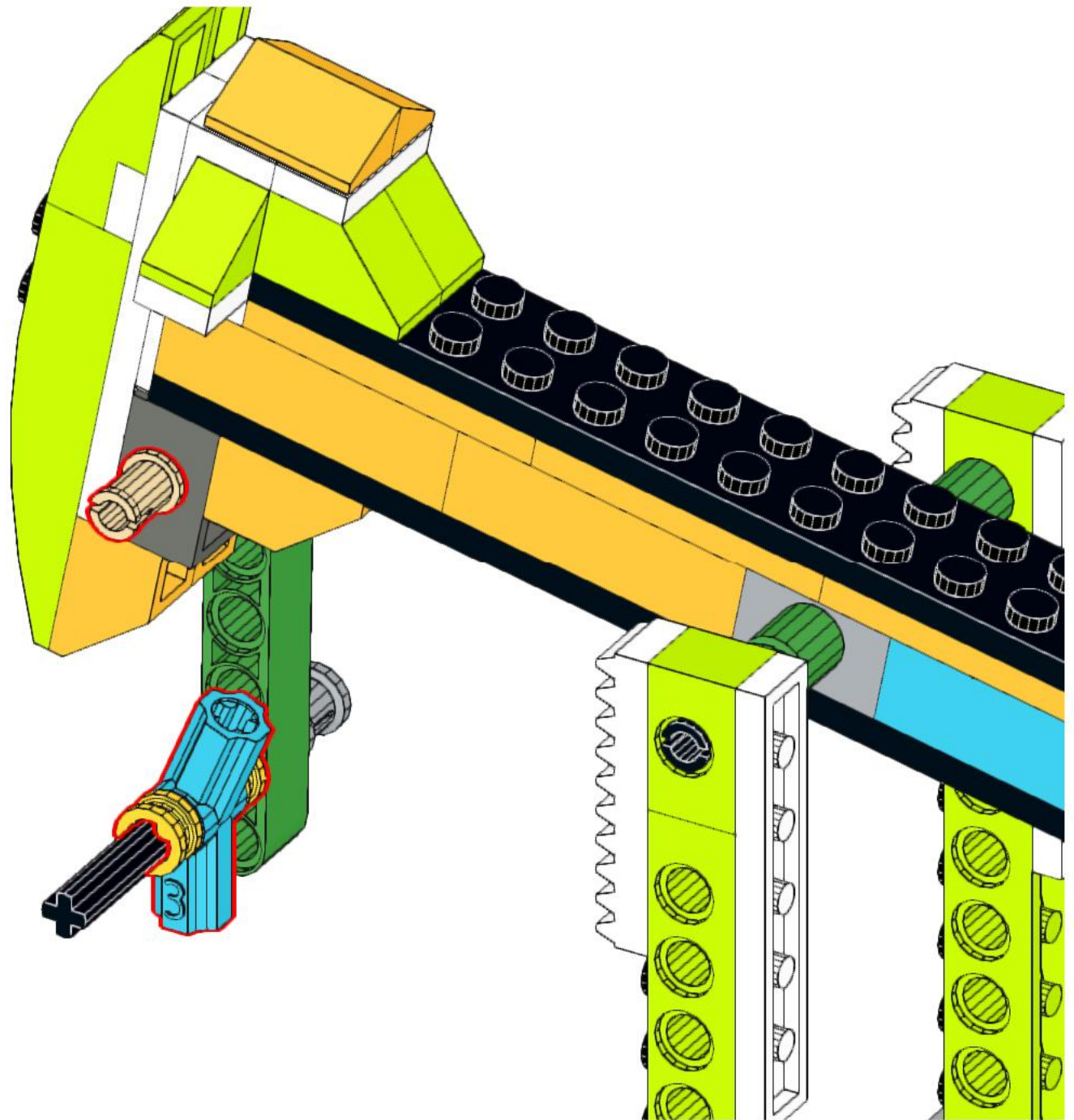
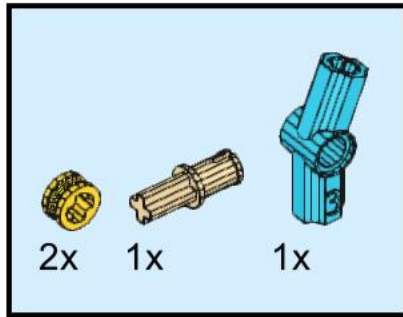
# 43



# 44

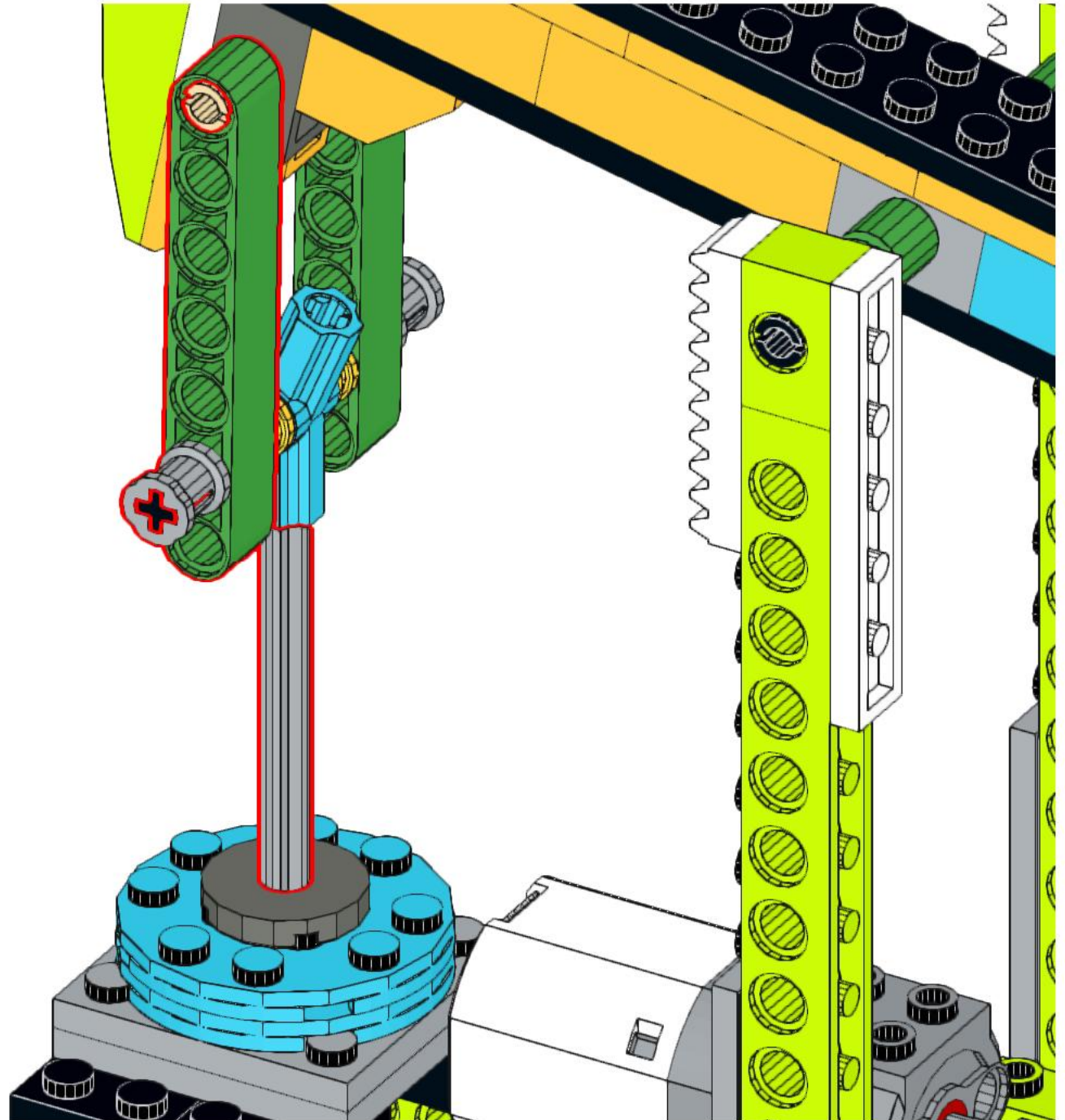
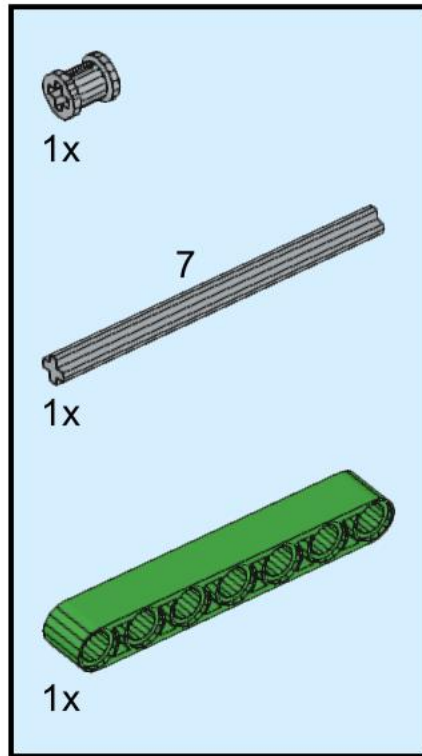


# 45

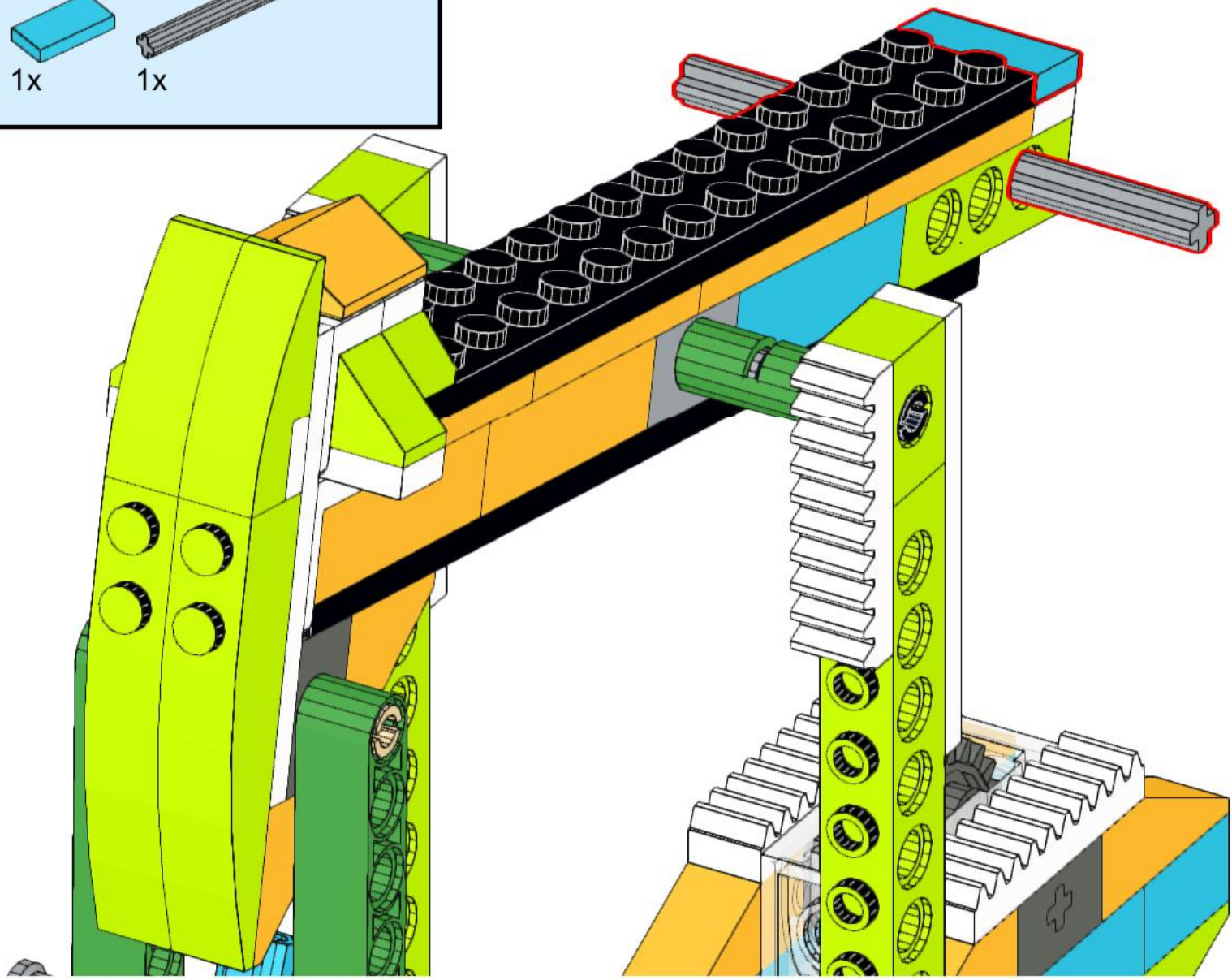
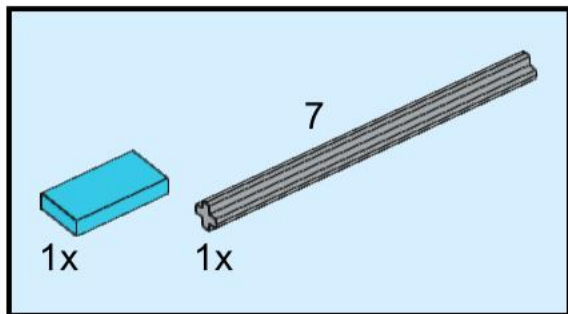




# 46

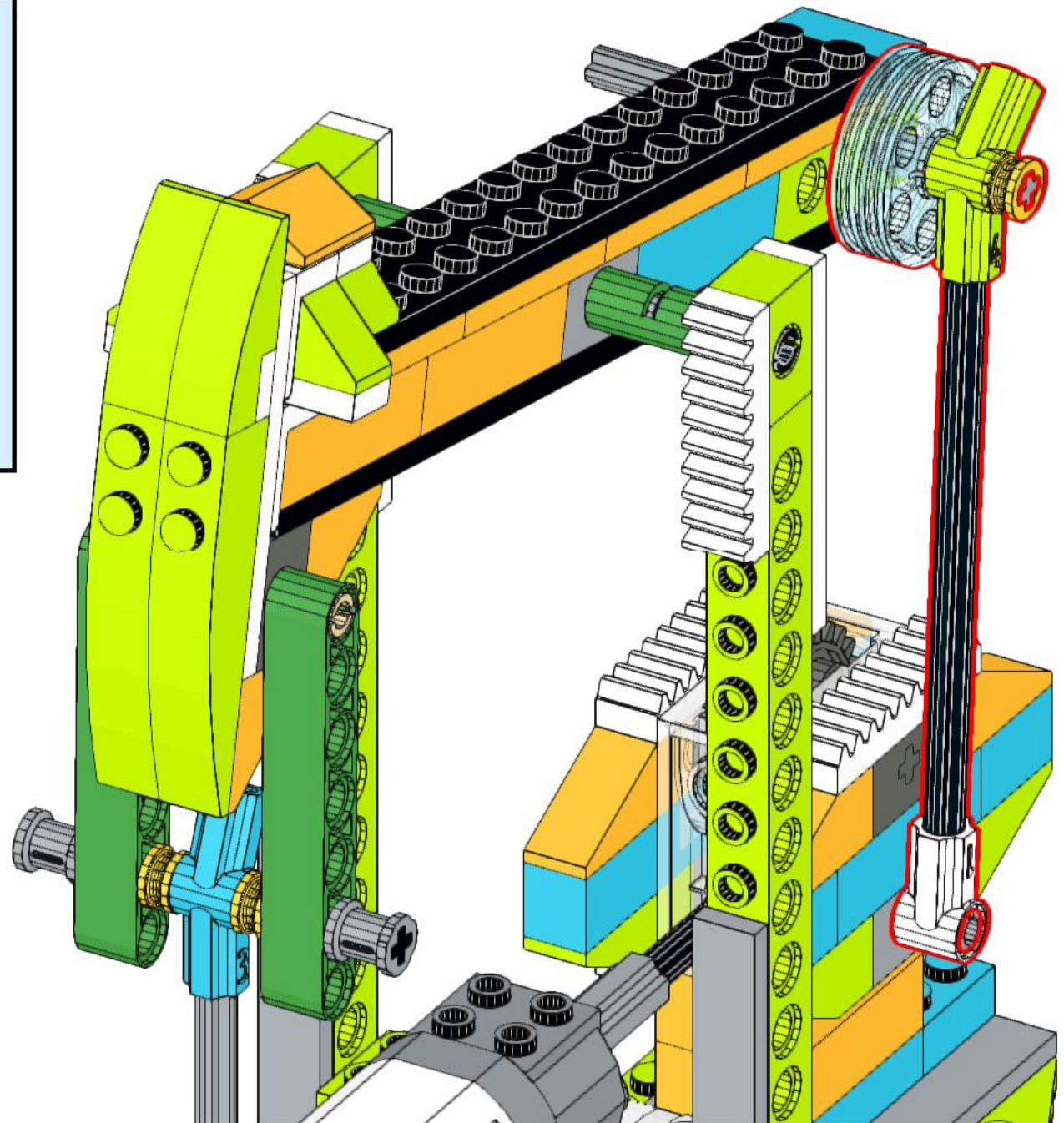
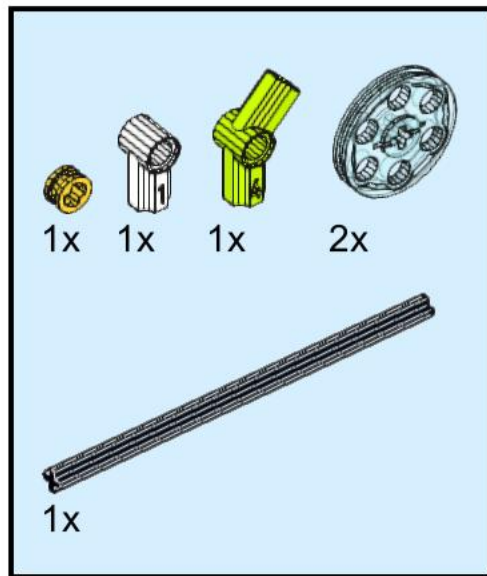


# 47



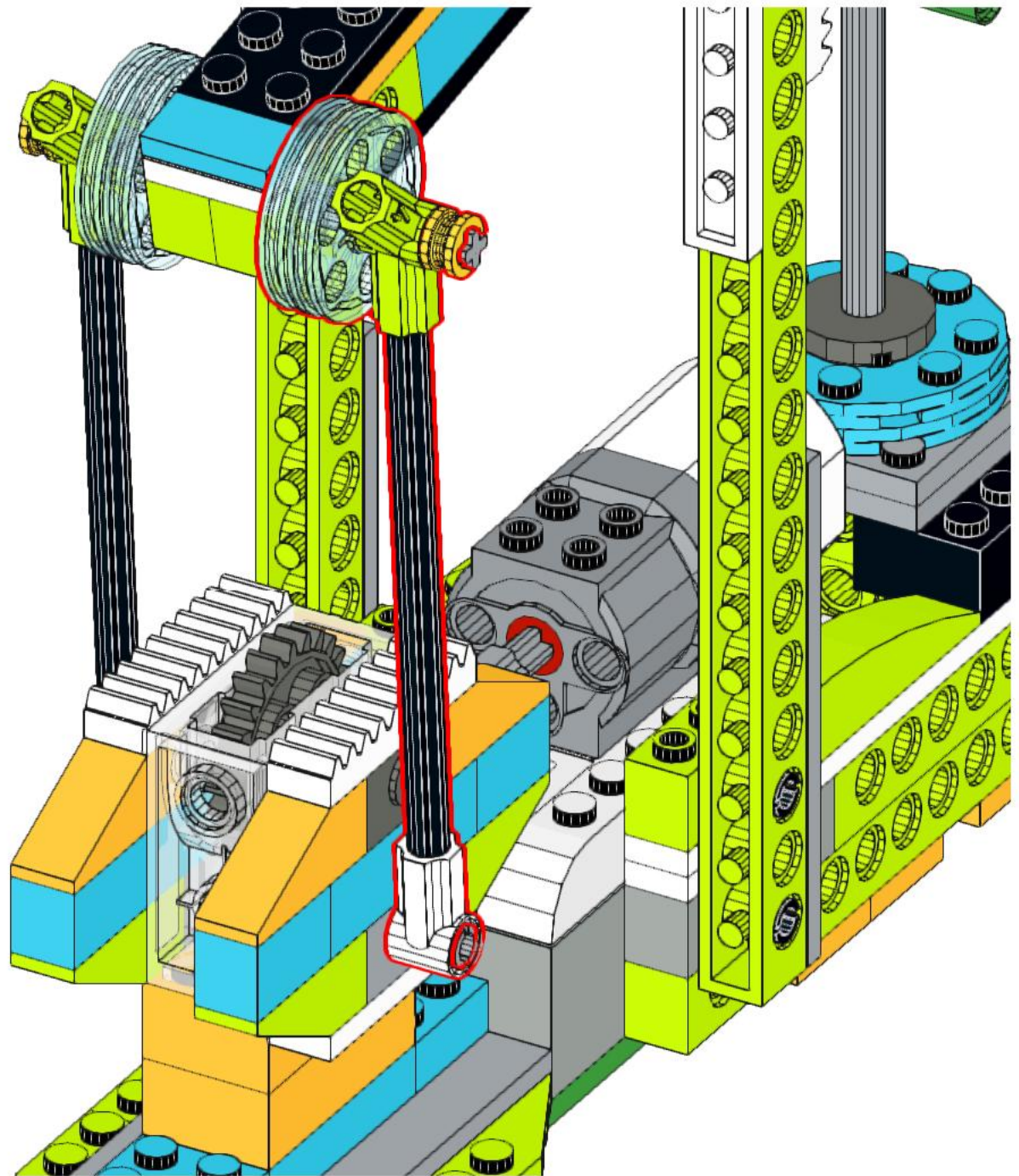
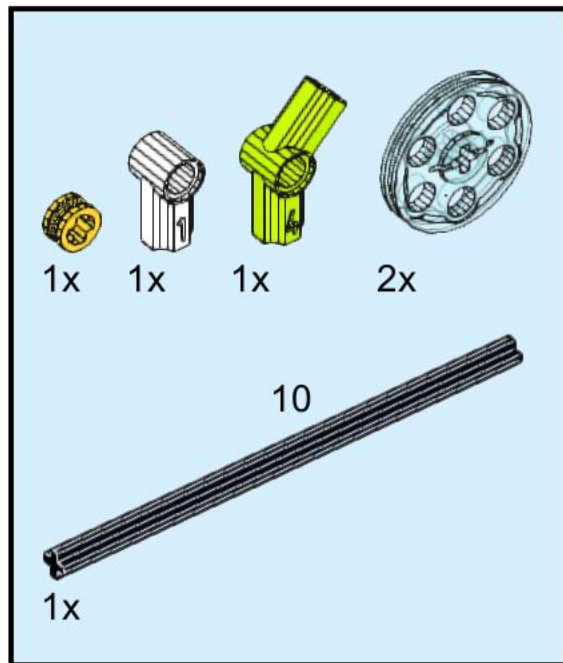


# 48

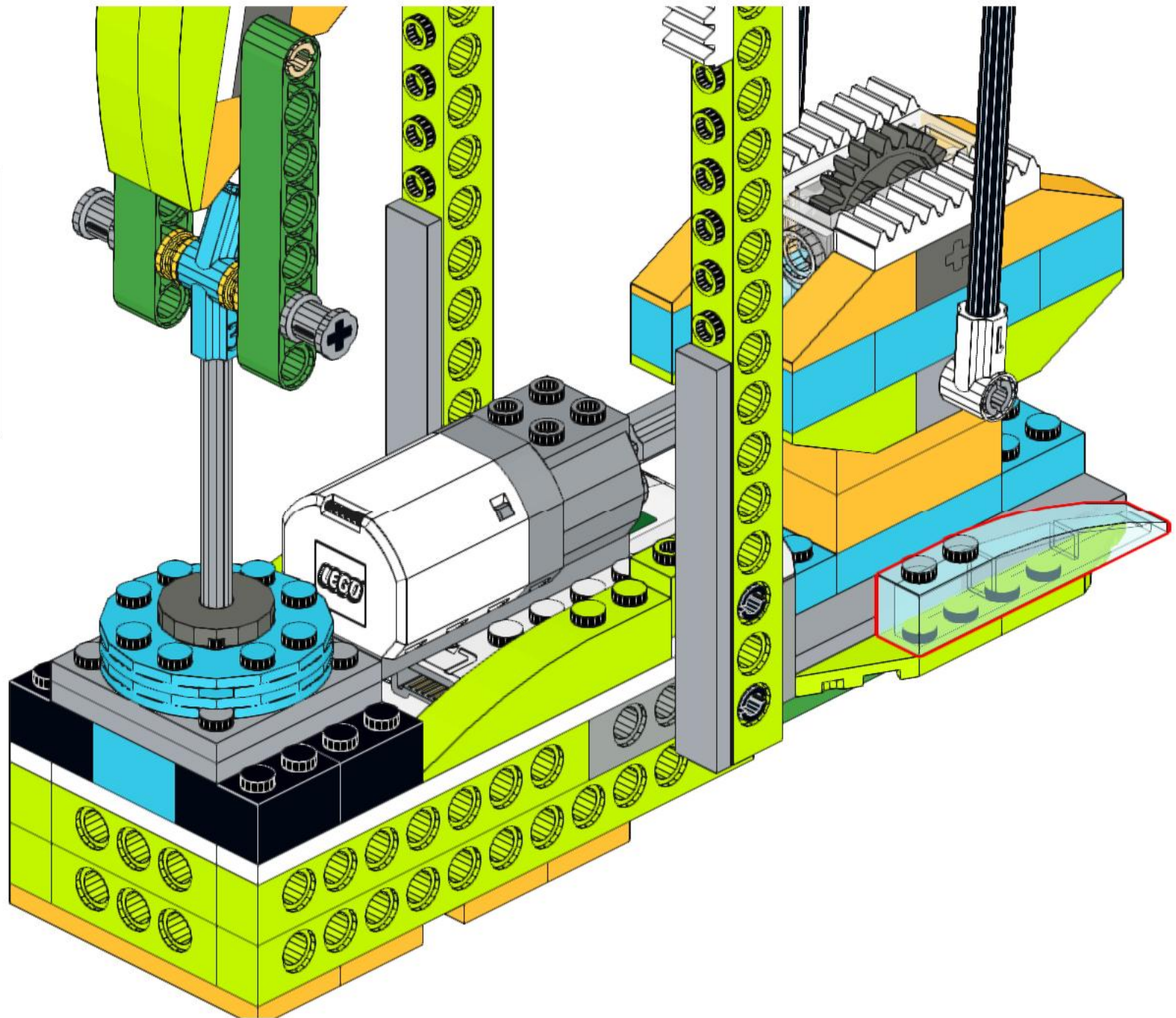
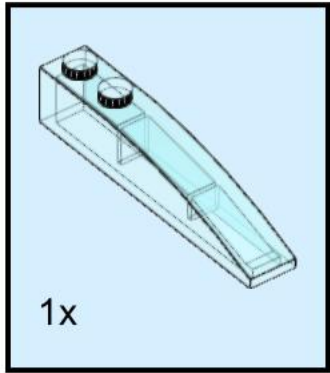




# 49



# 50





# 51

