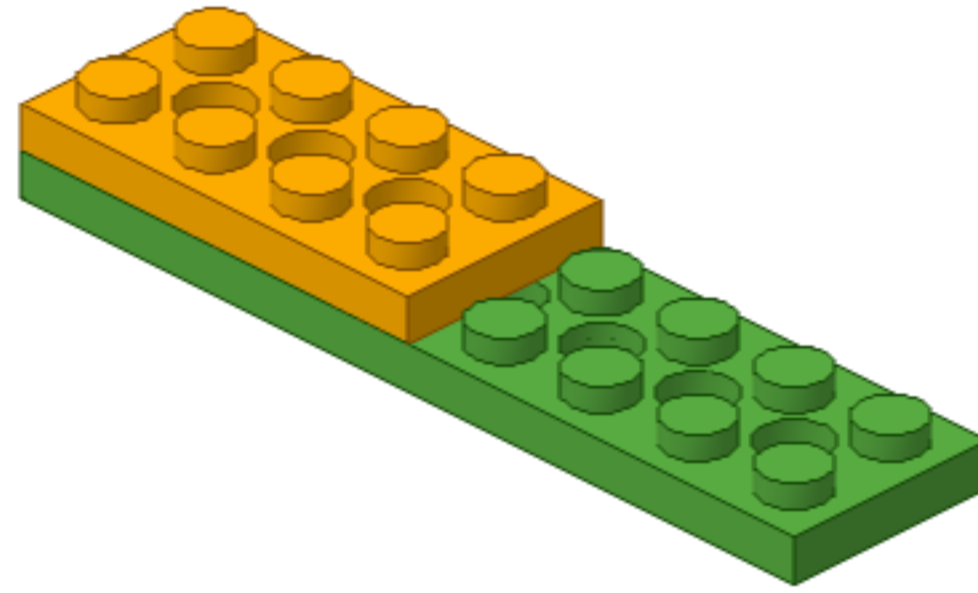
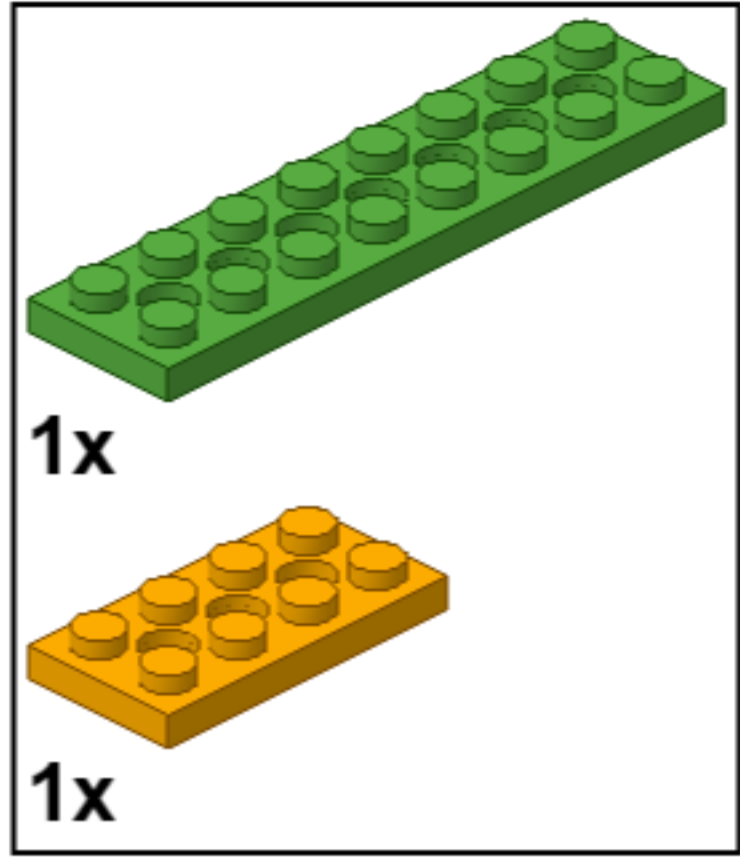




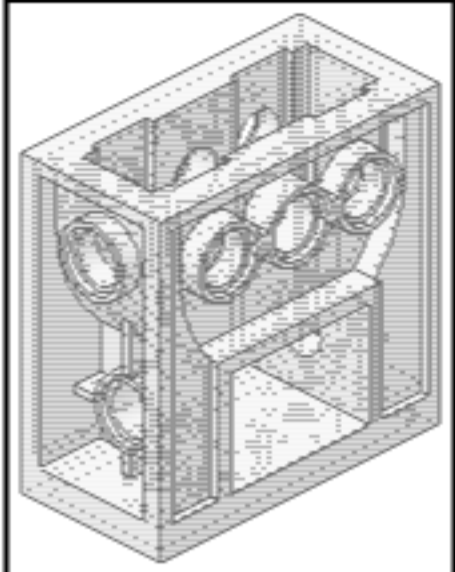
WEDo 2.0 RUDOLPH CHRISTMAS PROJECT

INSTRUCTION BY UDILOV DANIL ©

1



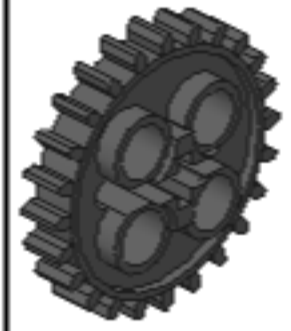
2



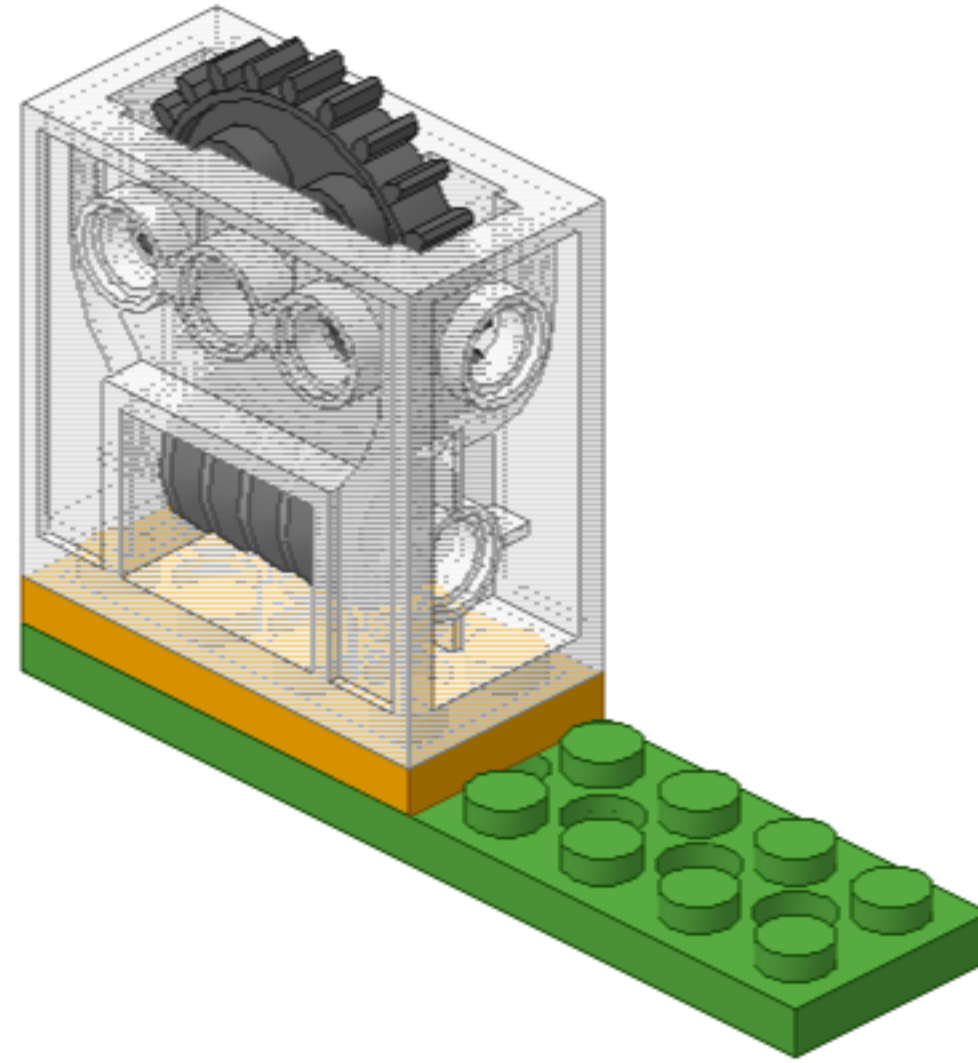
1x



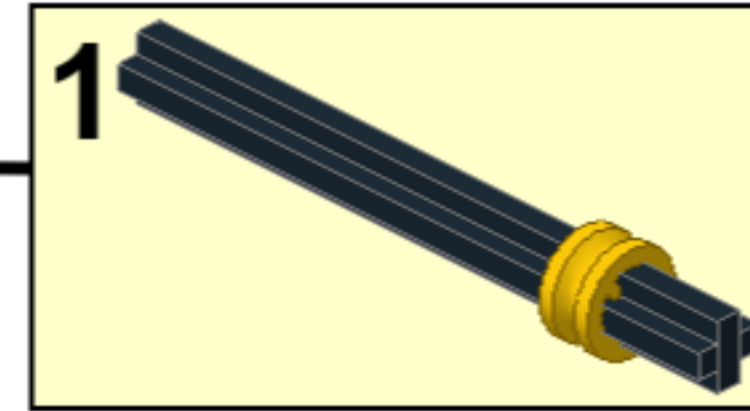
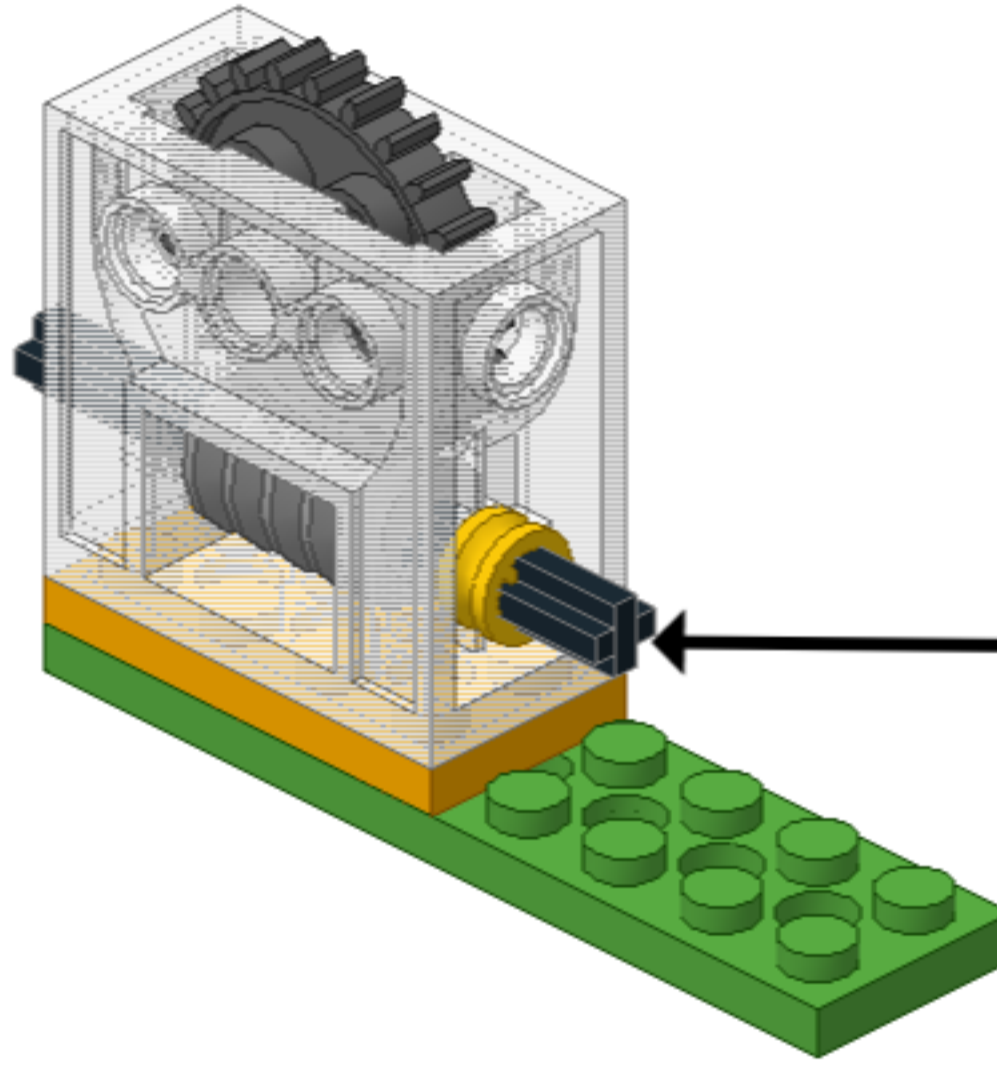
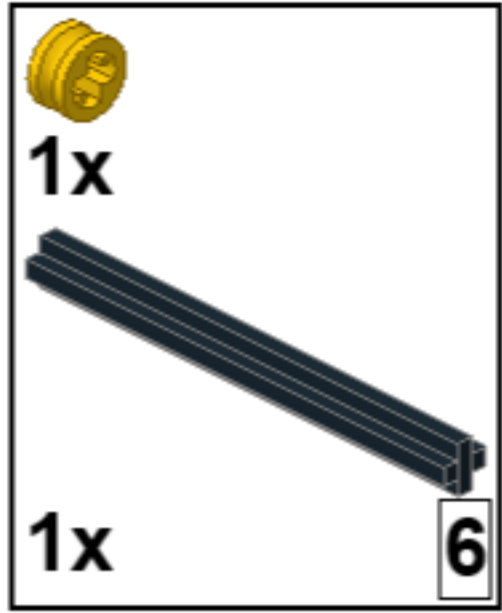
1x



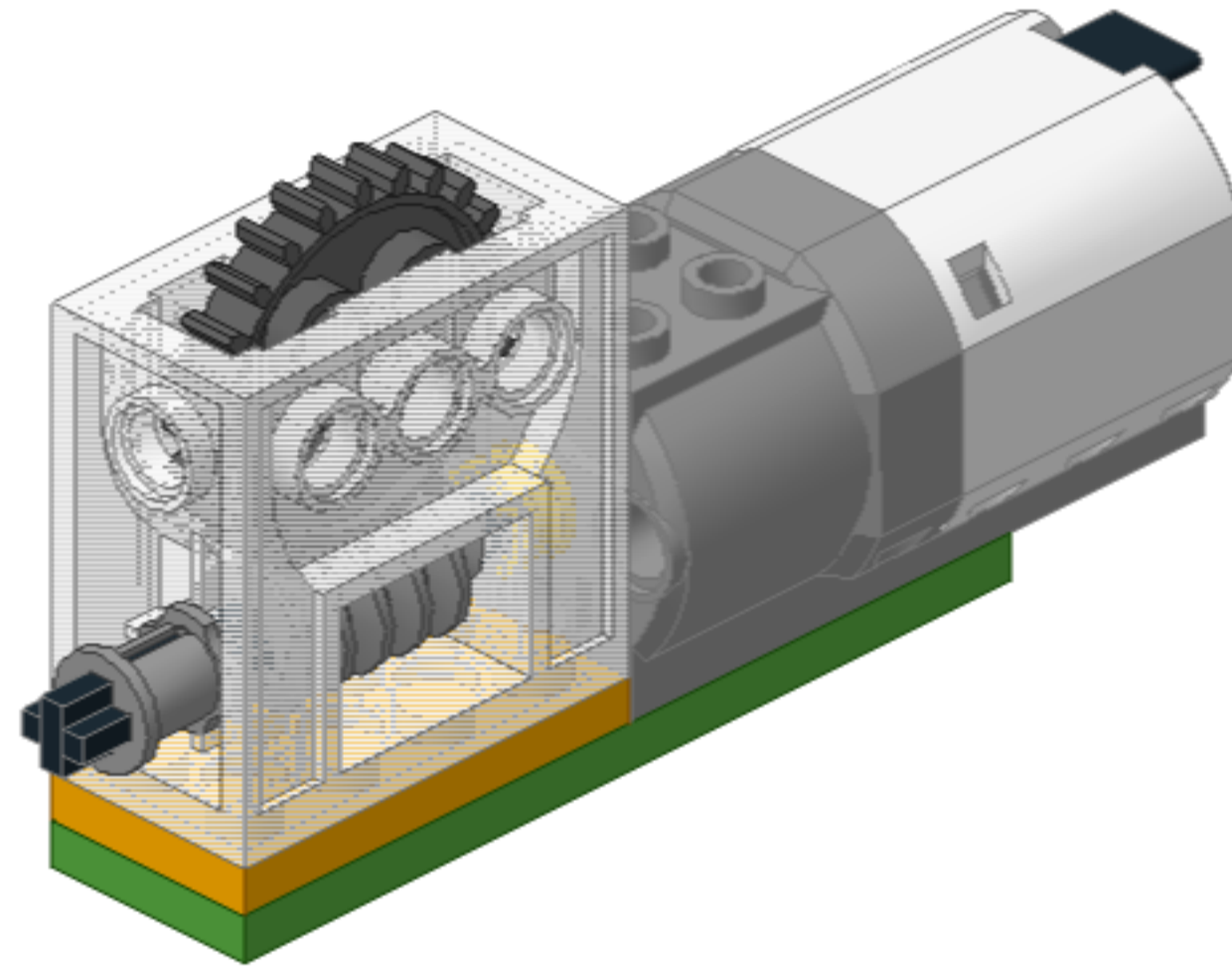
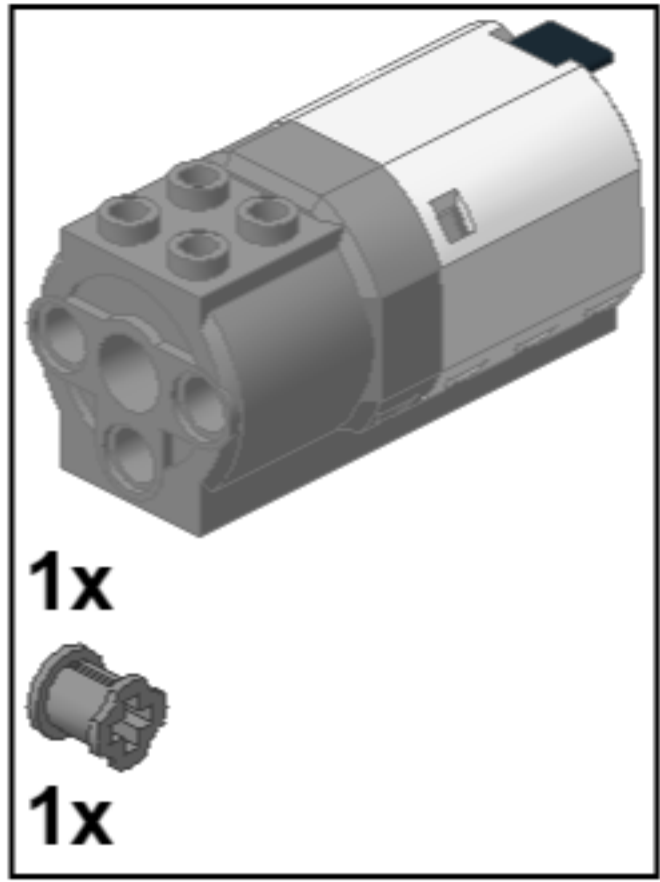
1x



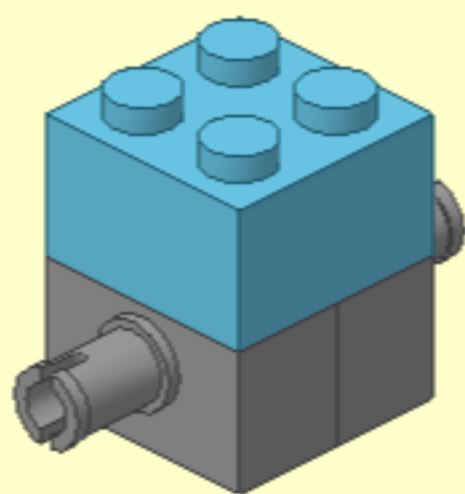
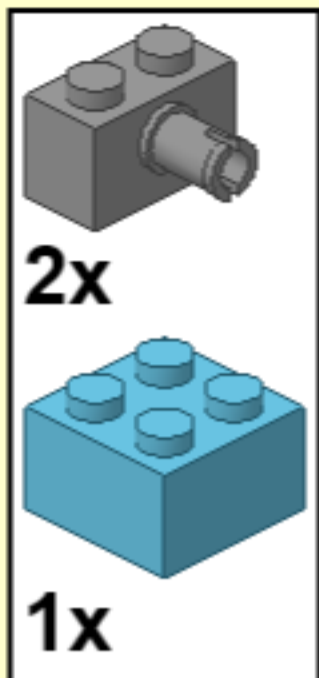
3



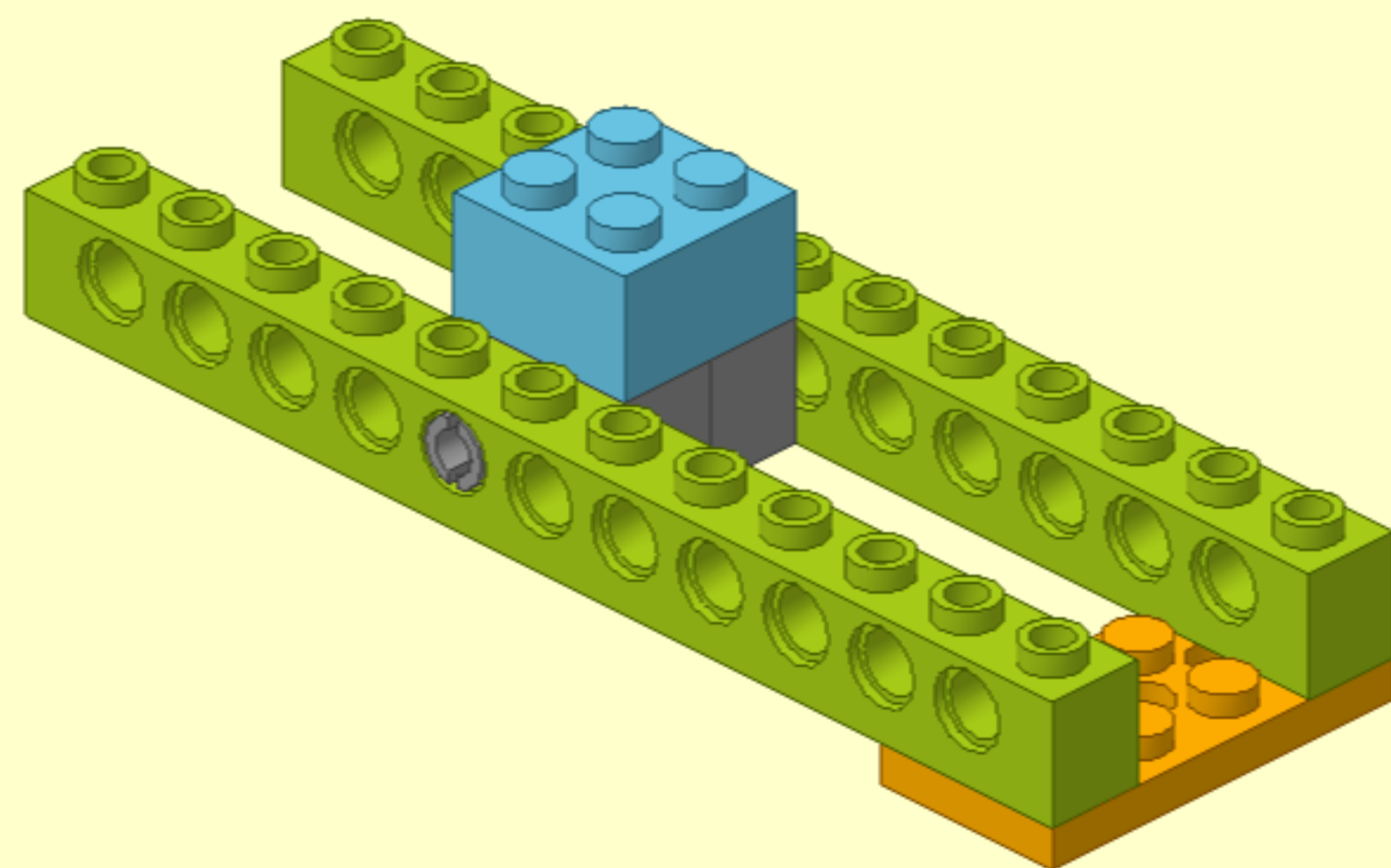
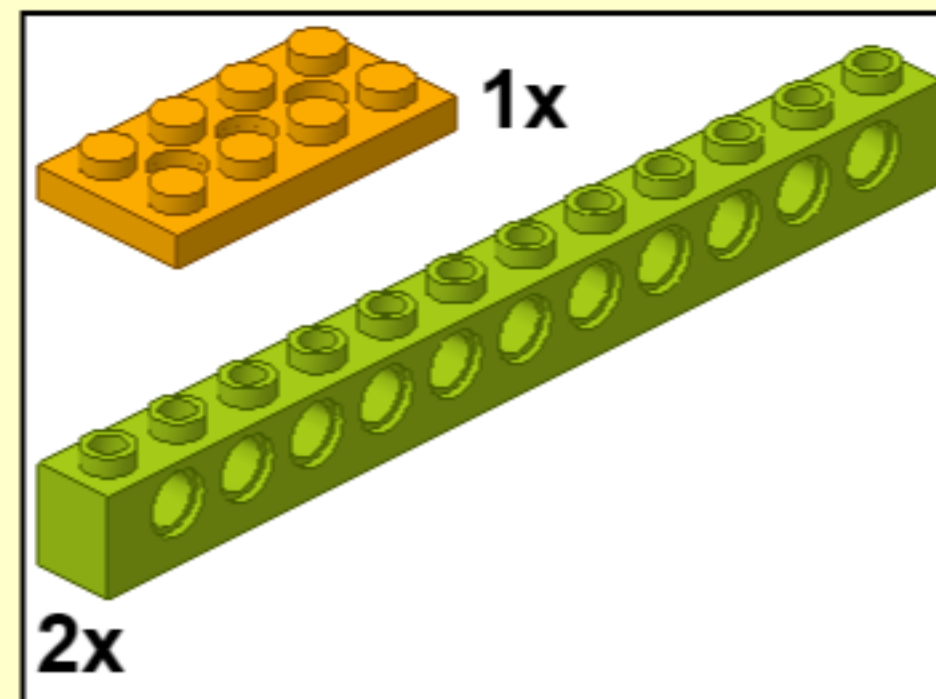
4



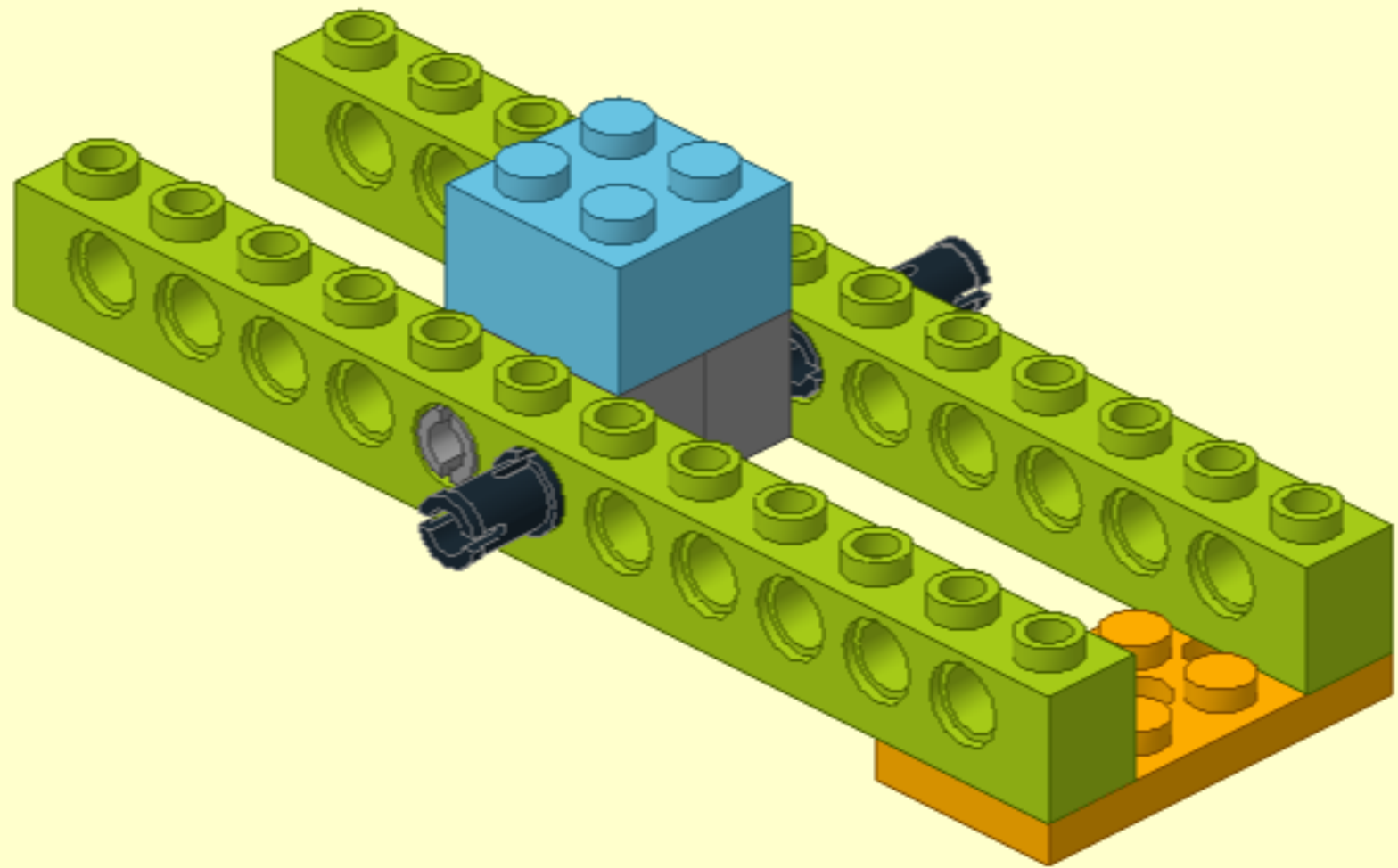
1



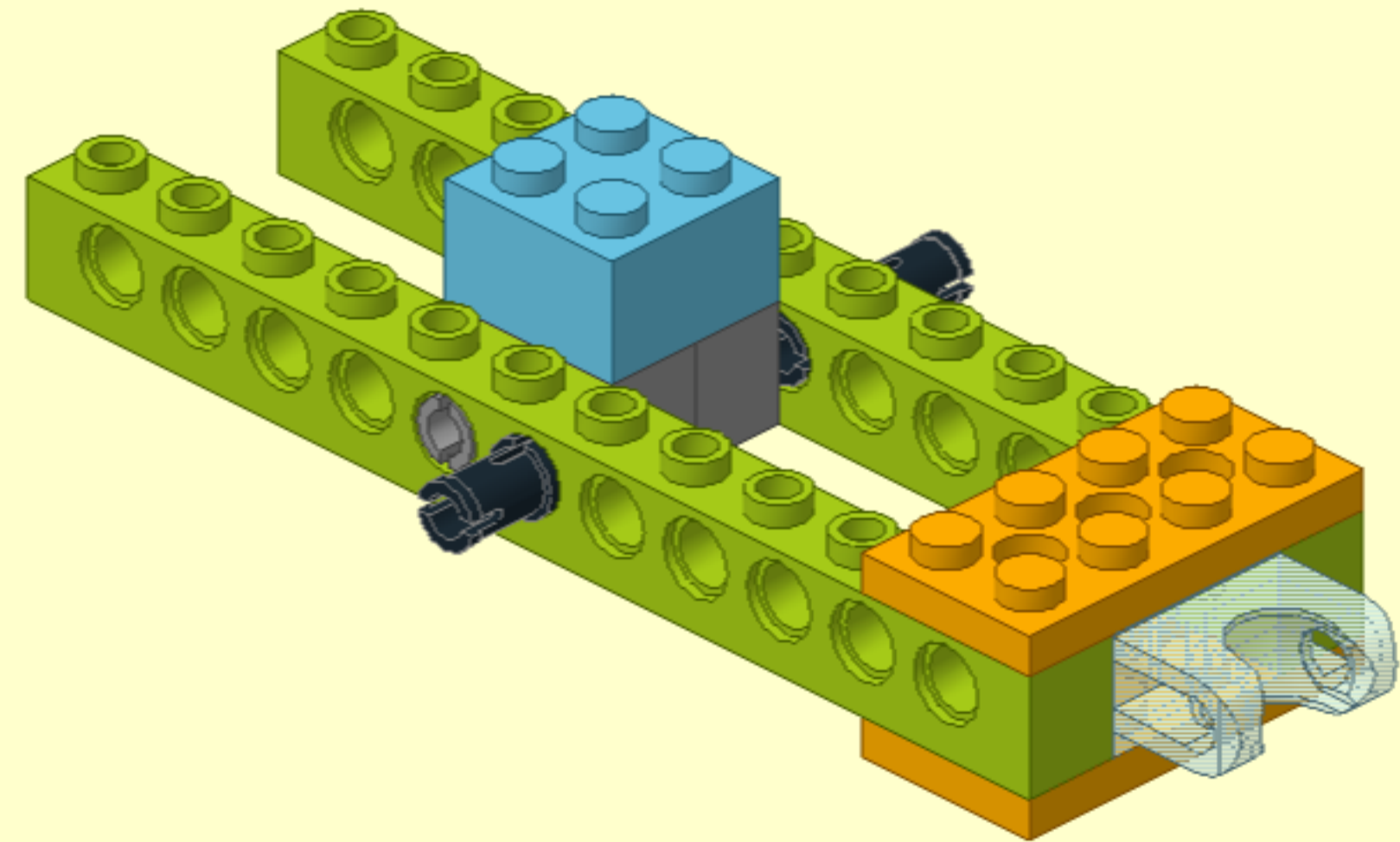
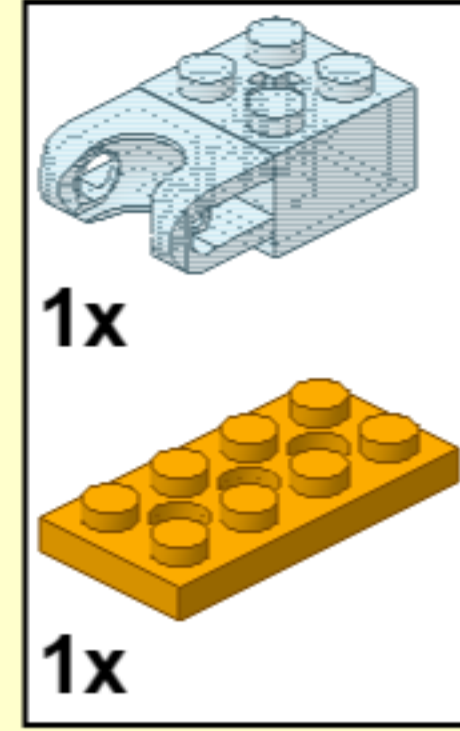
2



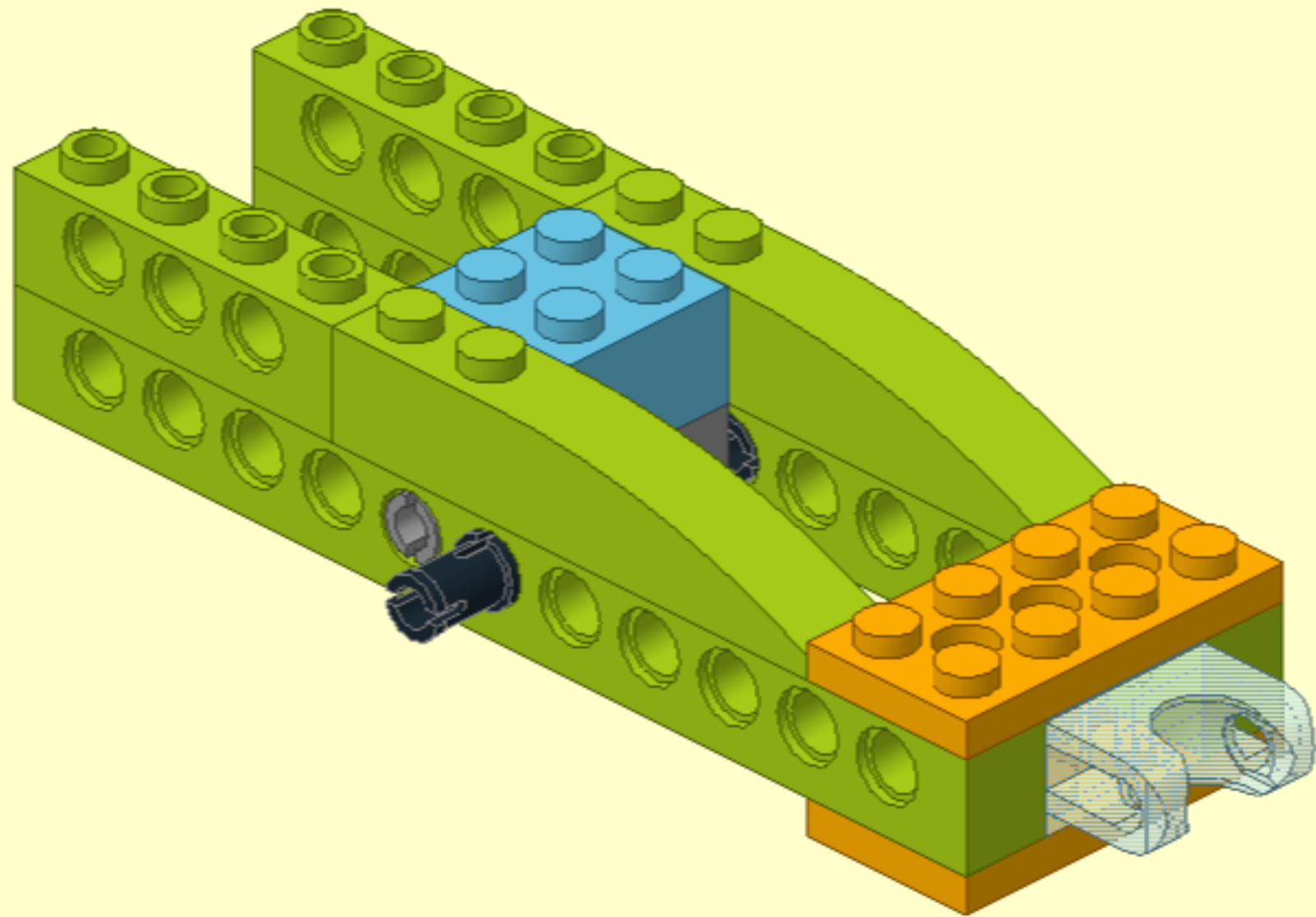
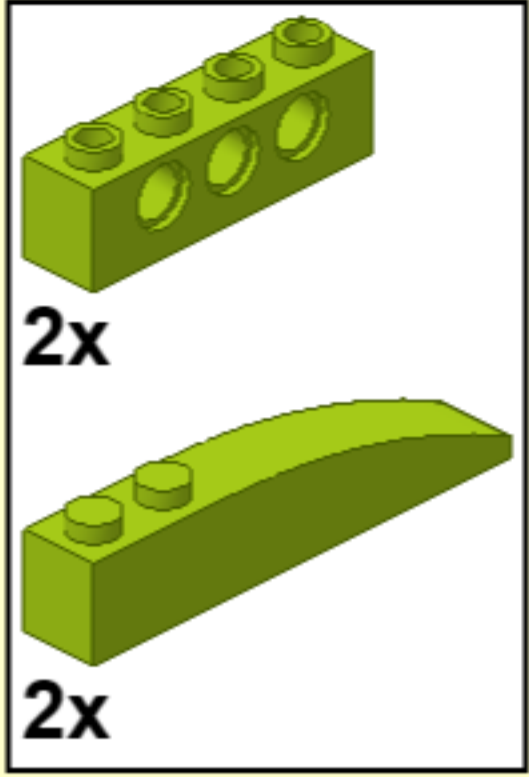
3



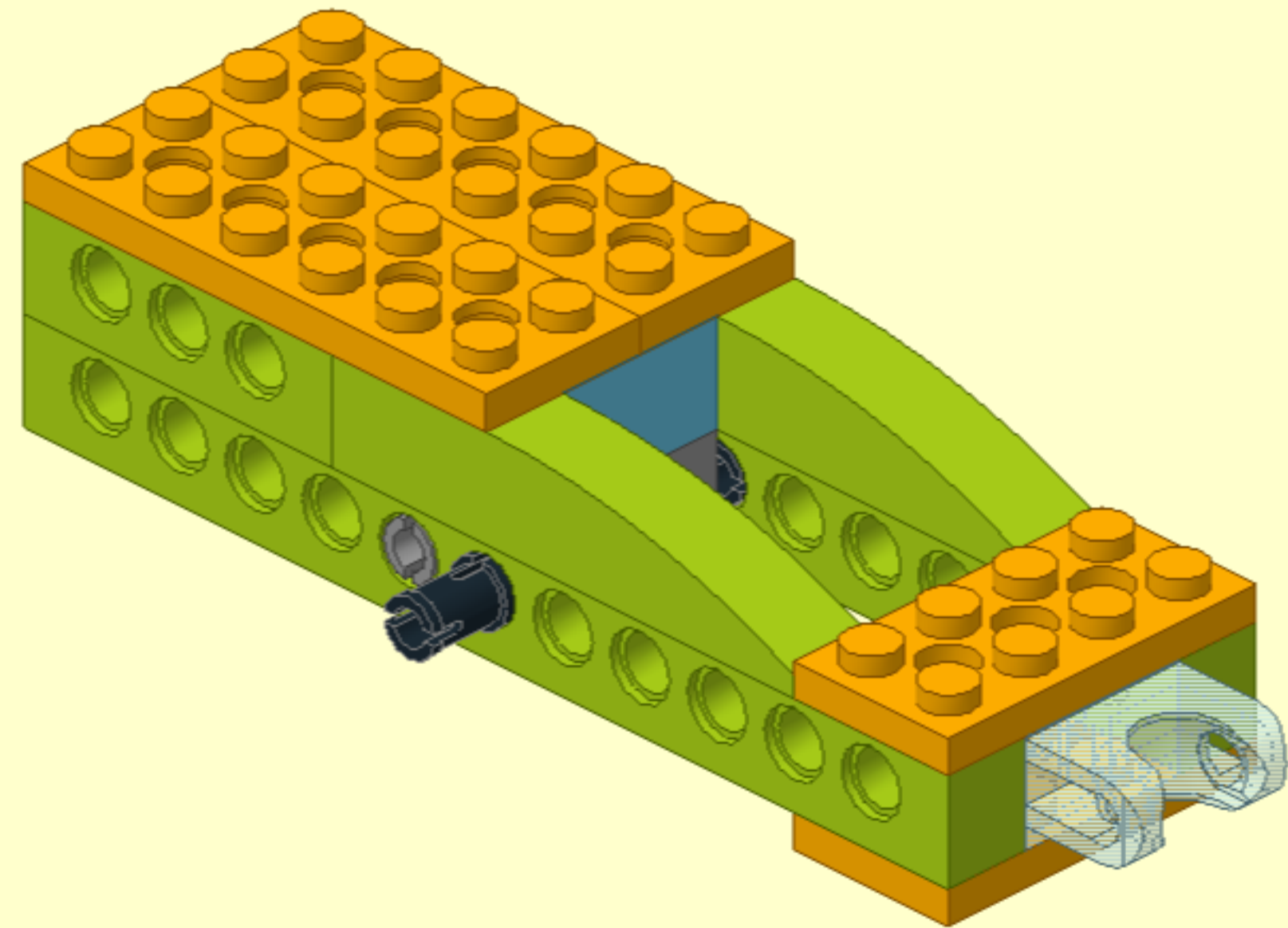
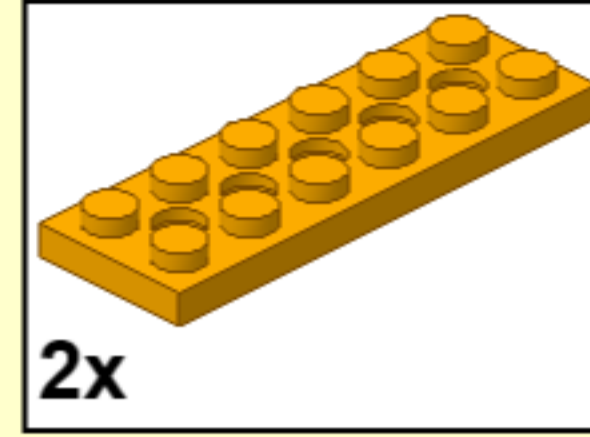
4



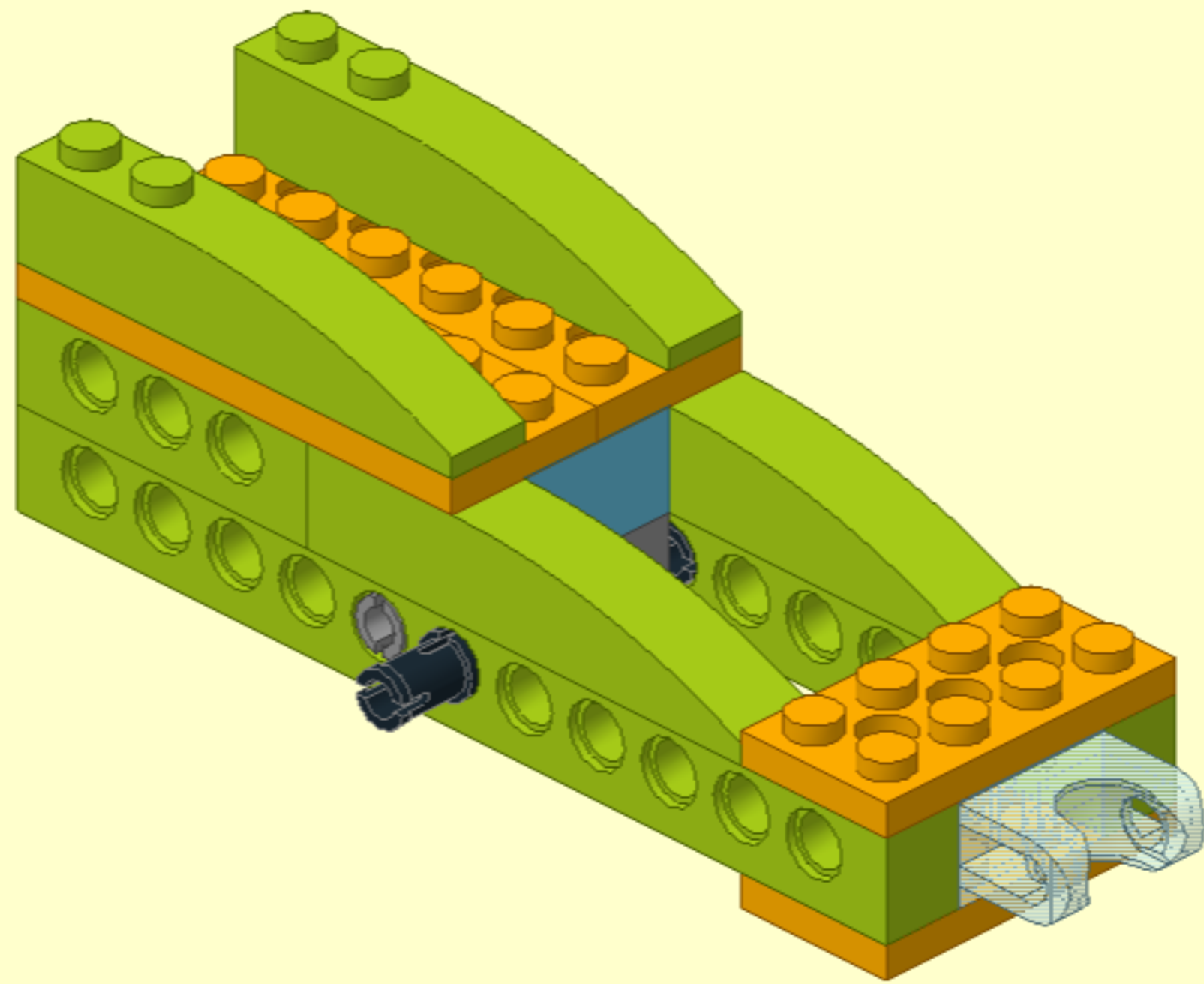
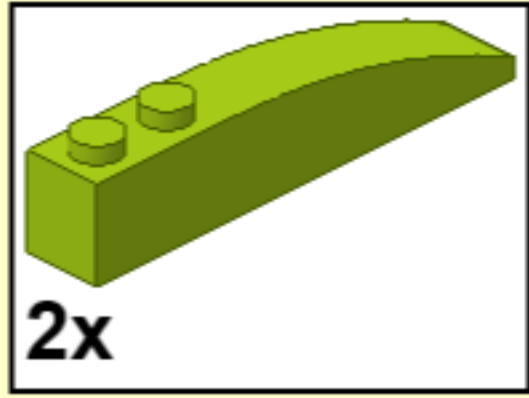
5



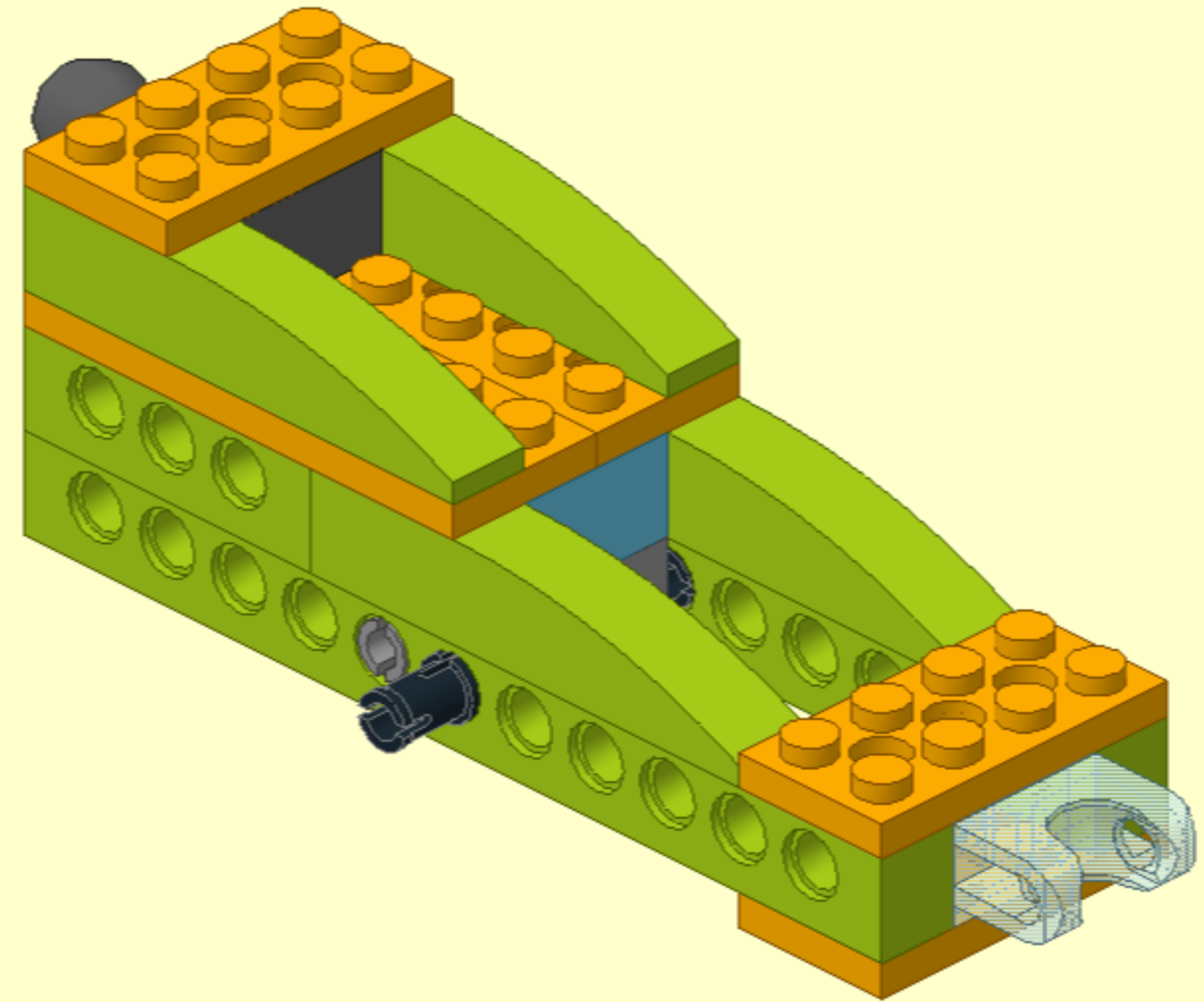
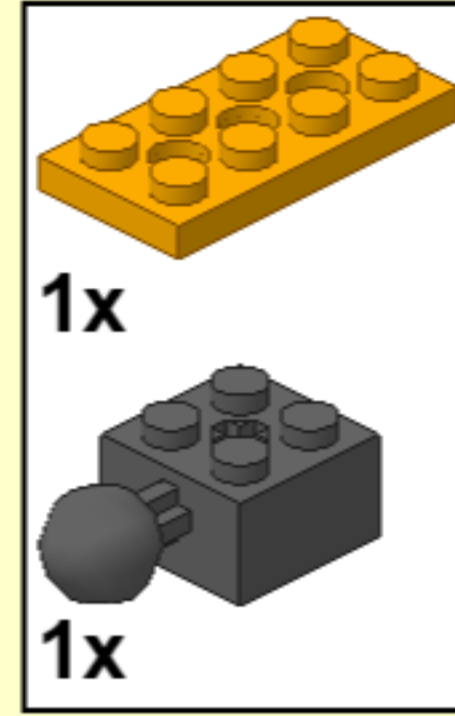
6

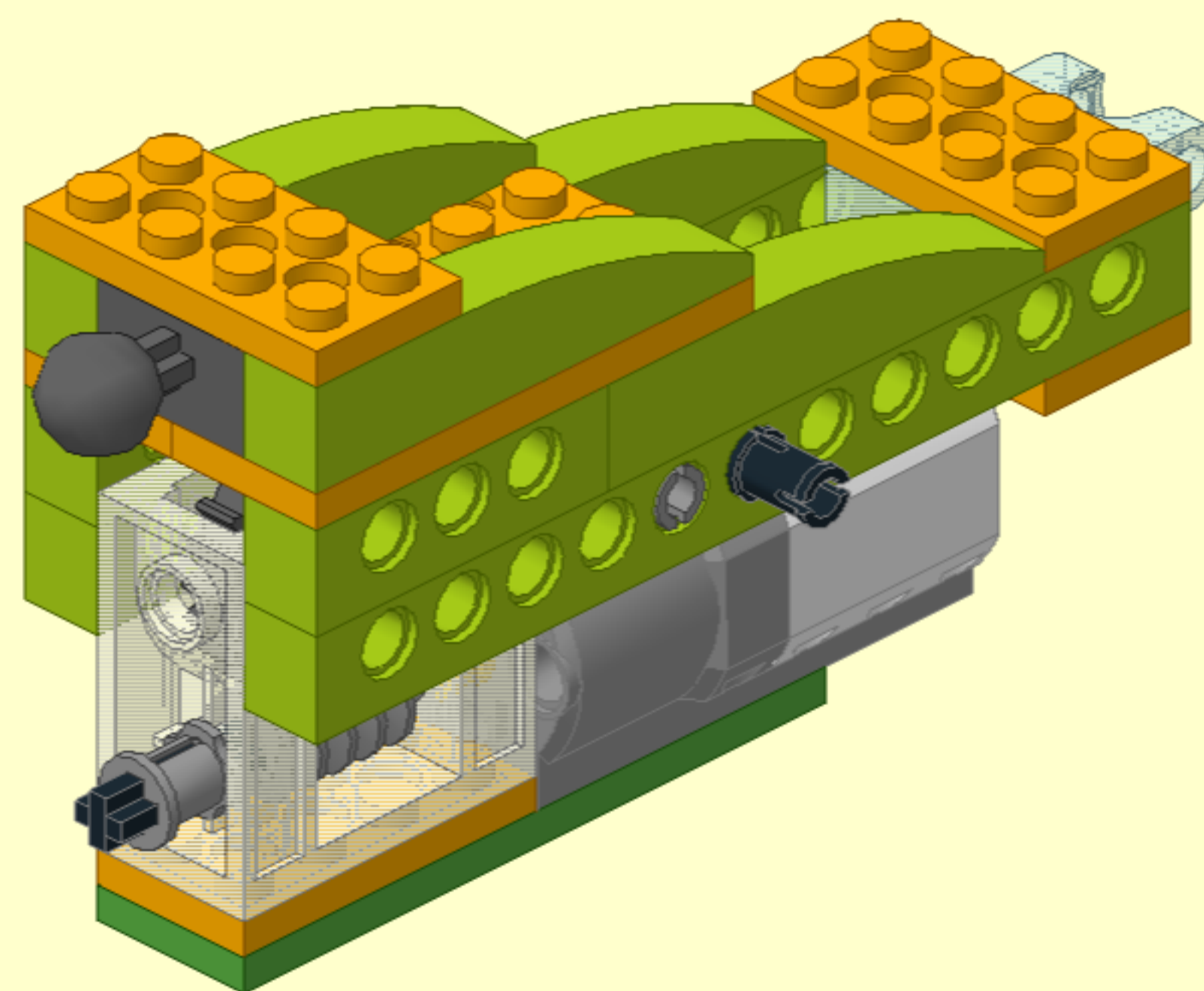
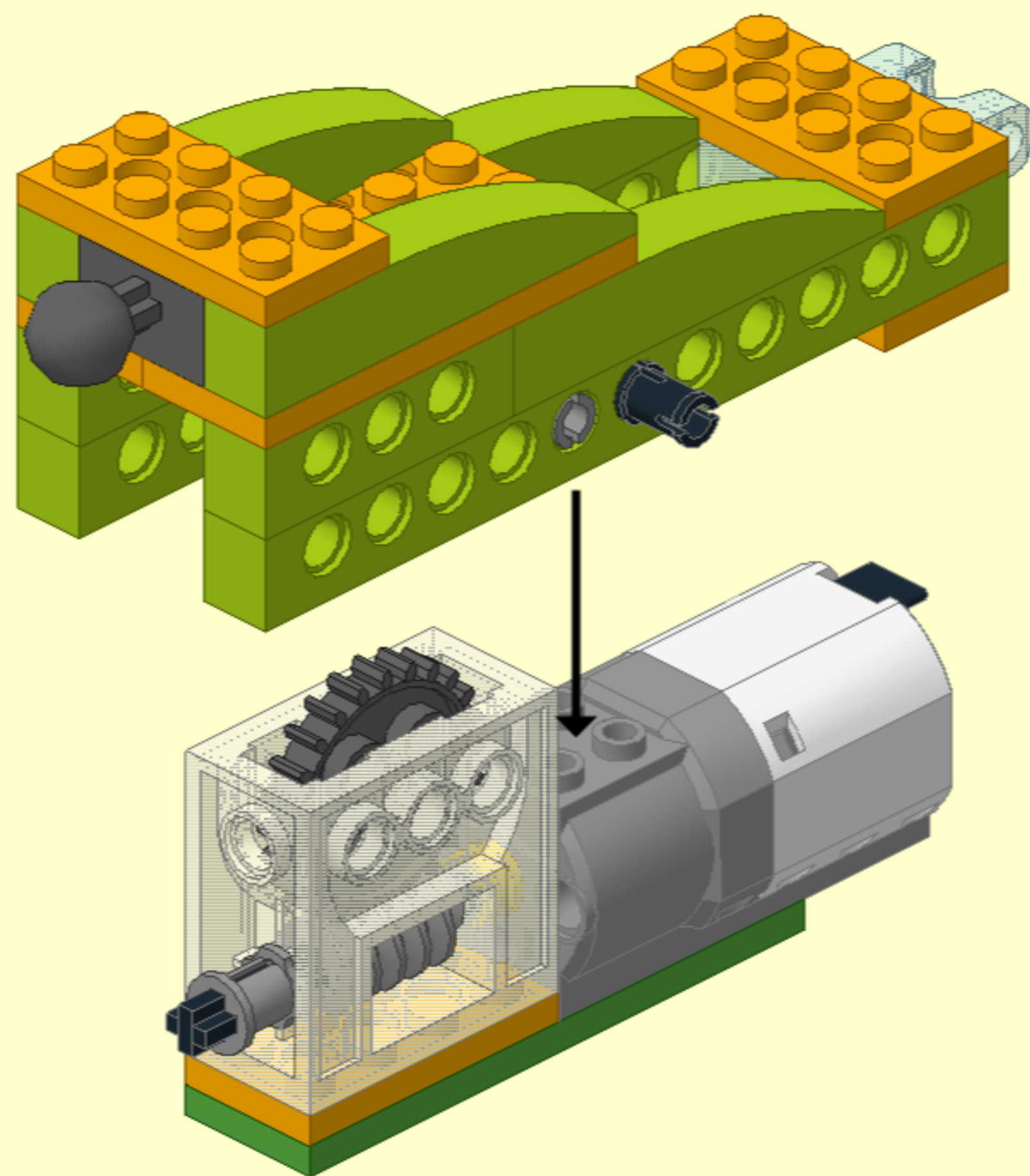


7

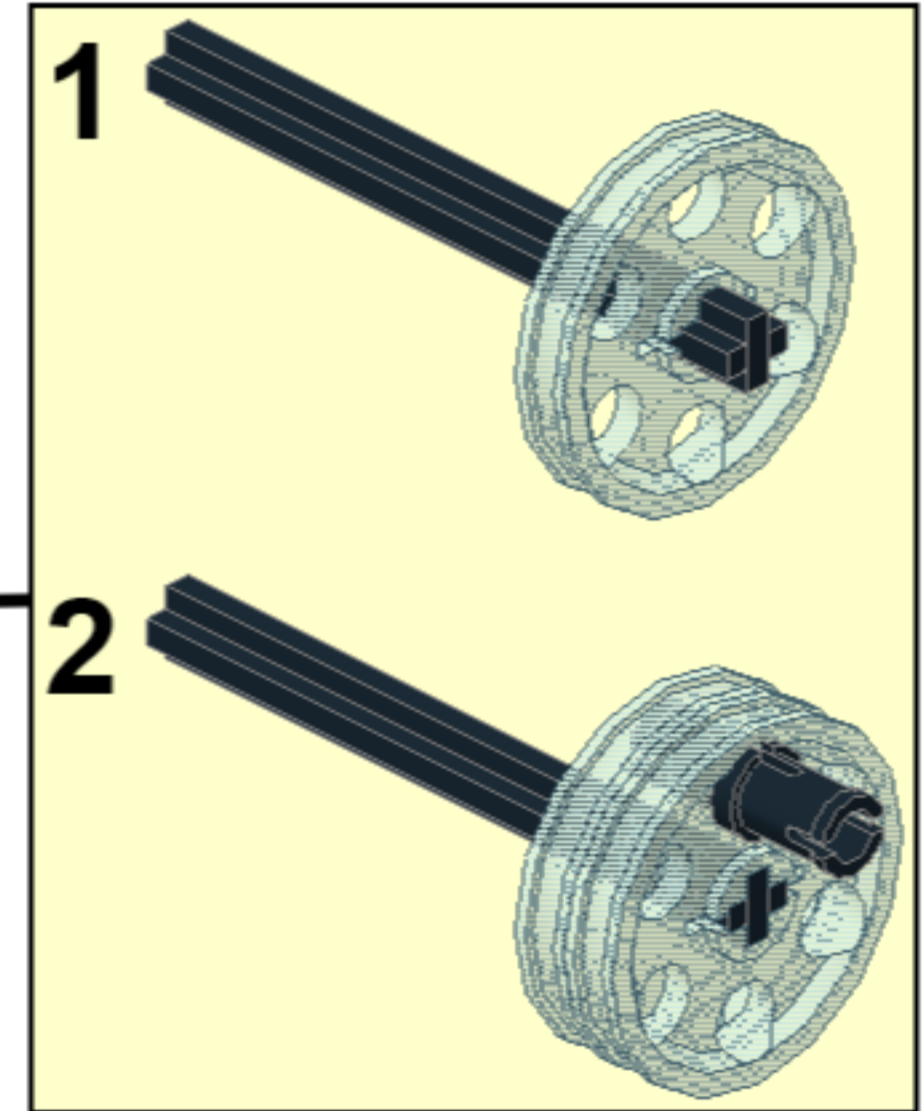
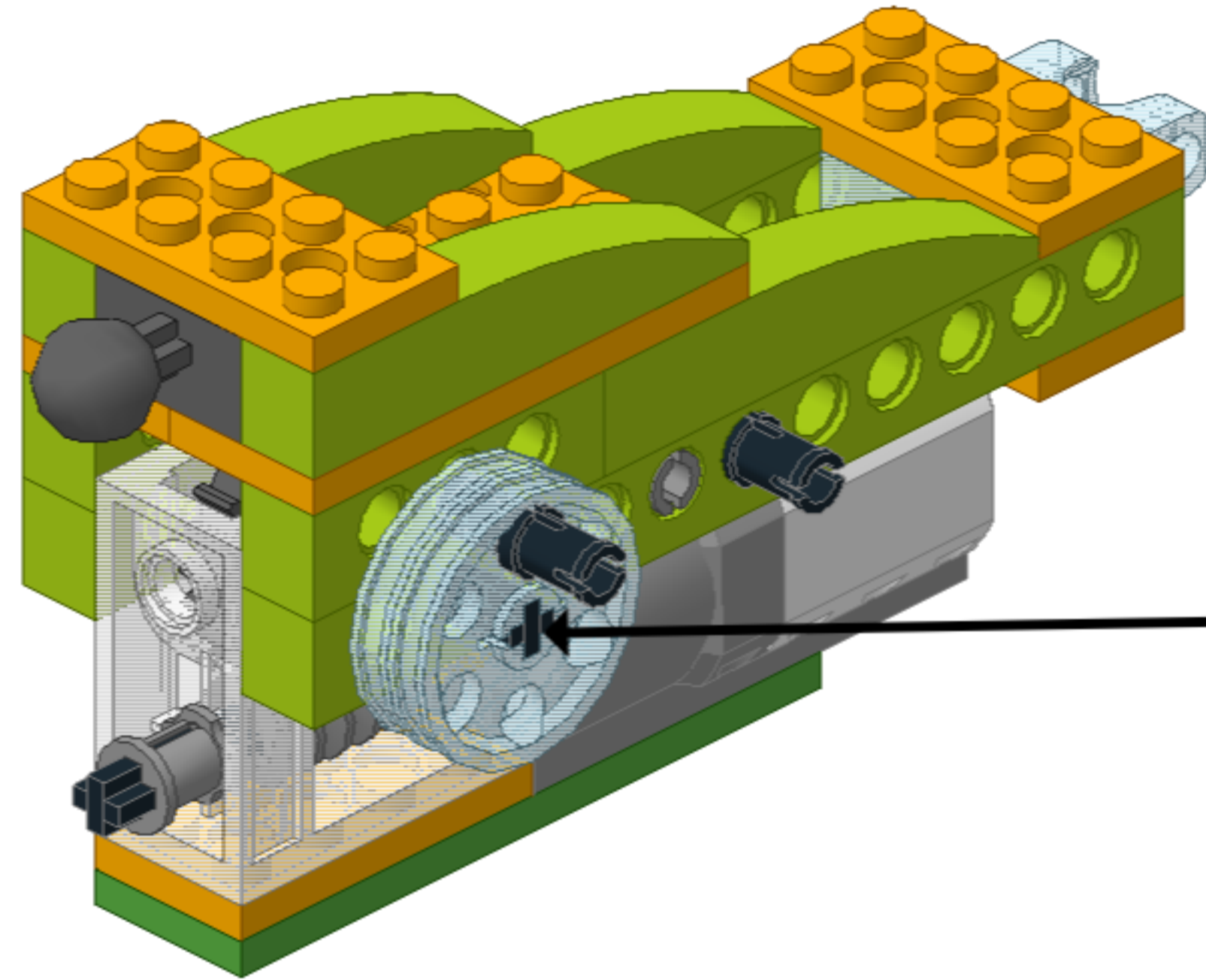
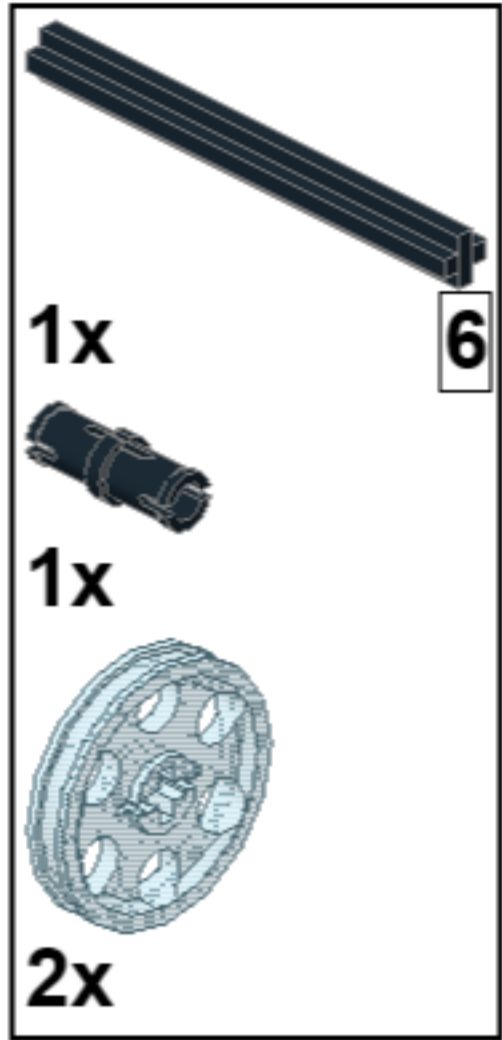


8

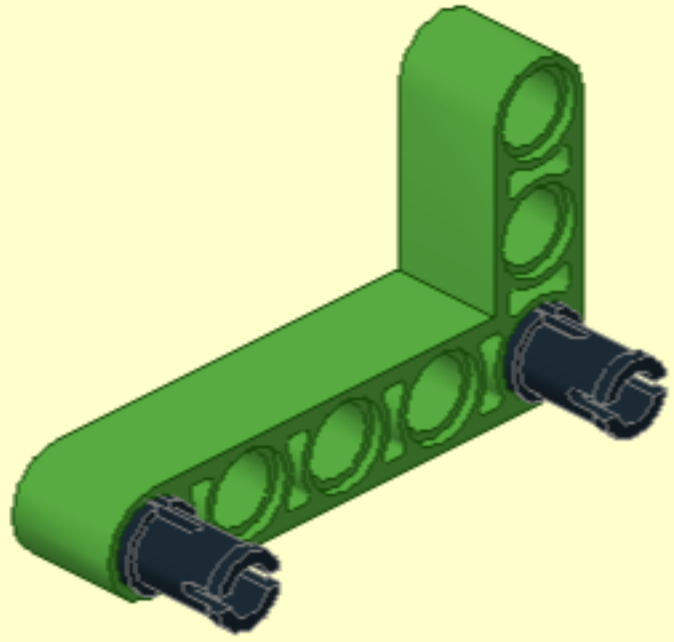
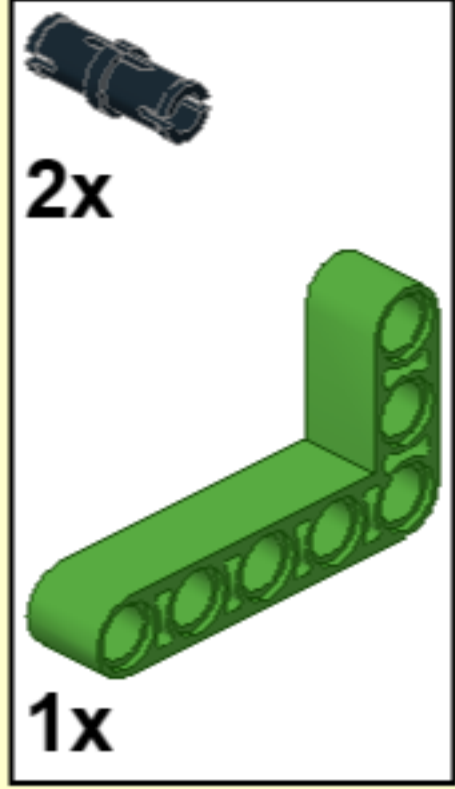




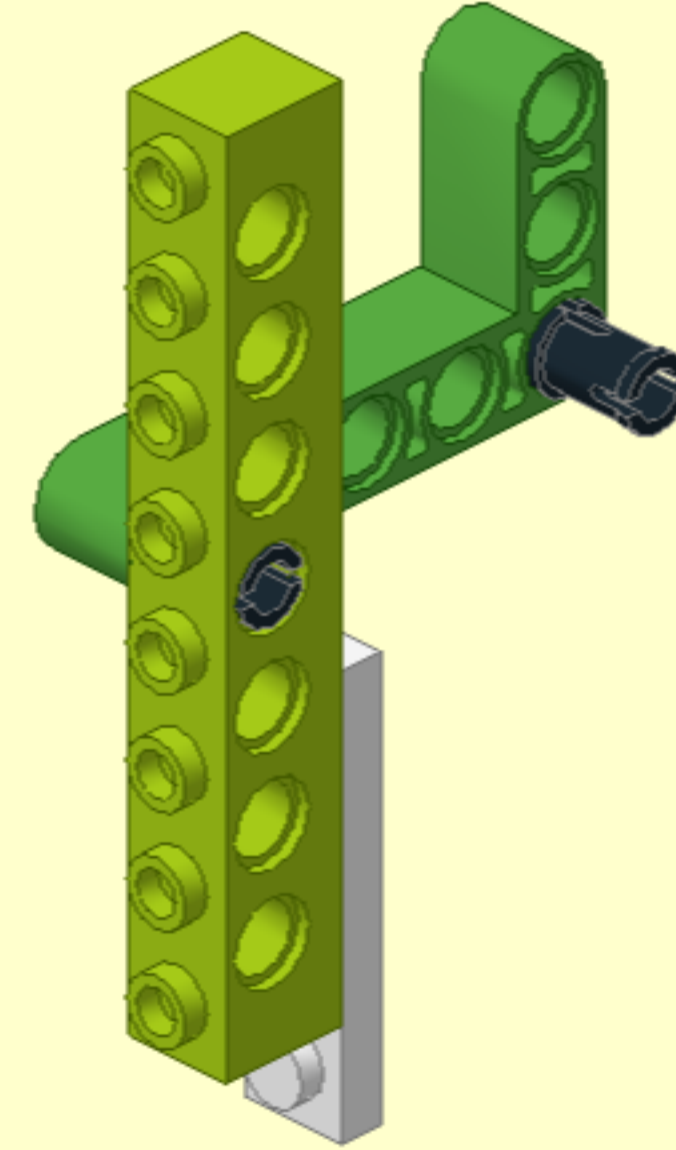
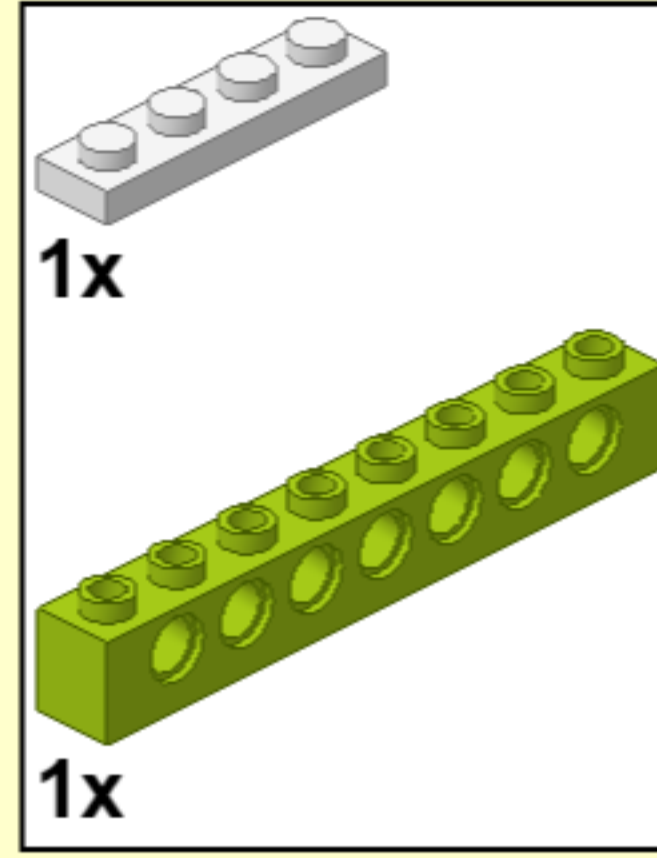
7



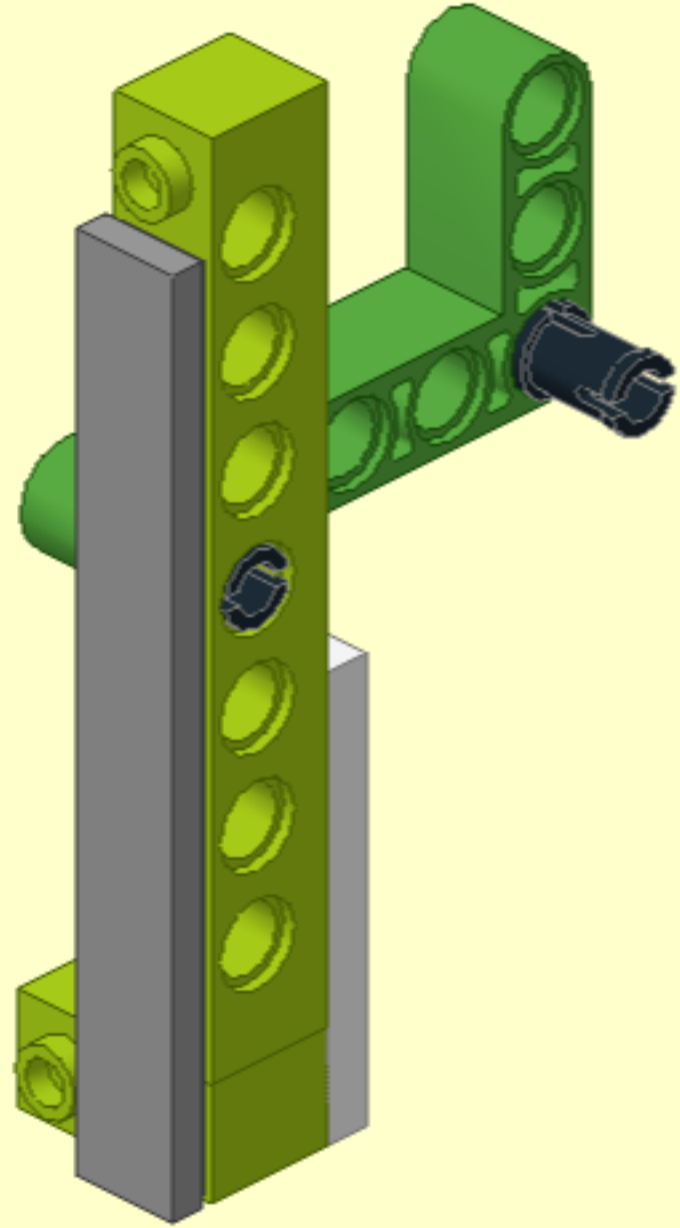
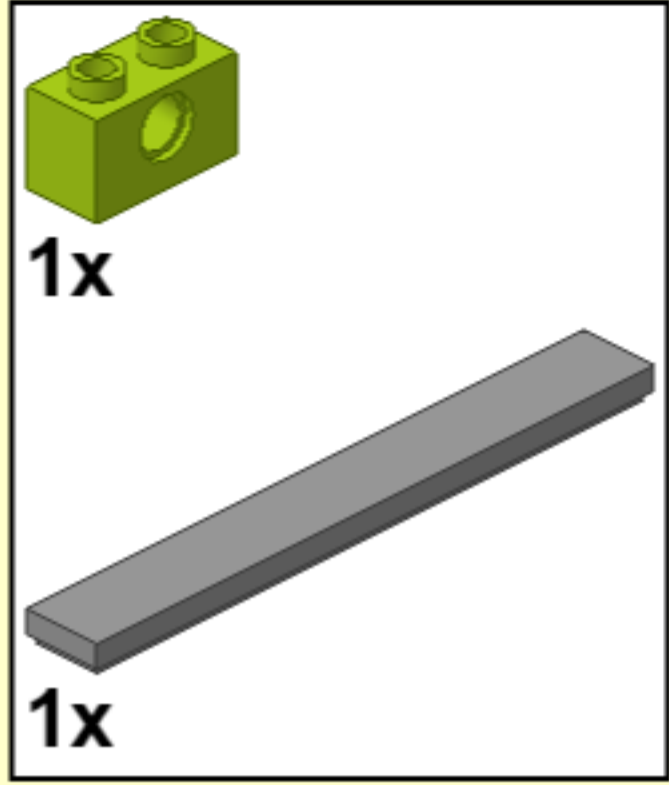
1



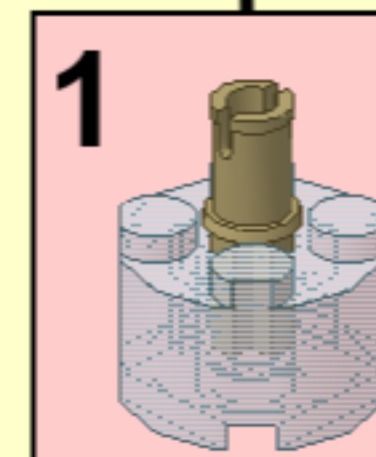
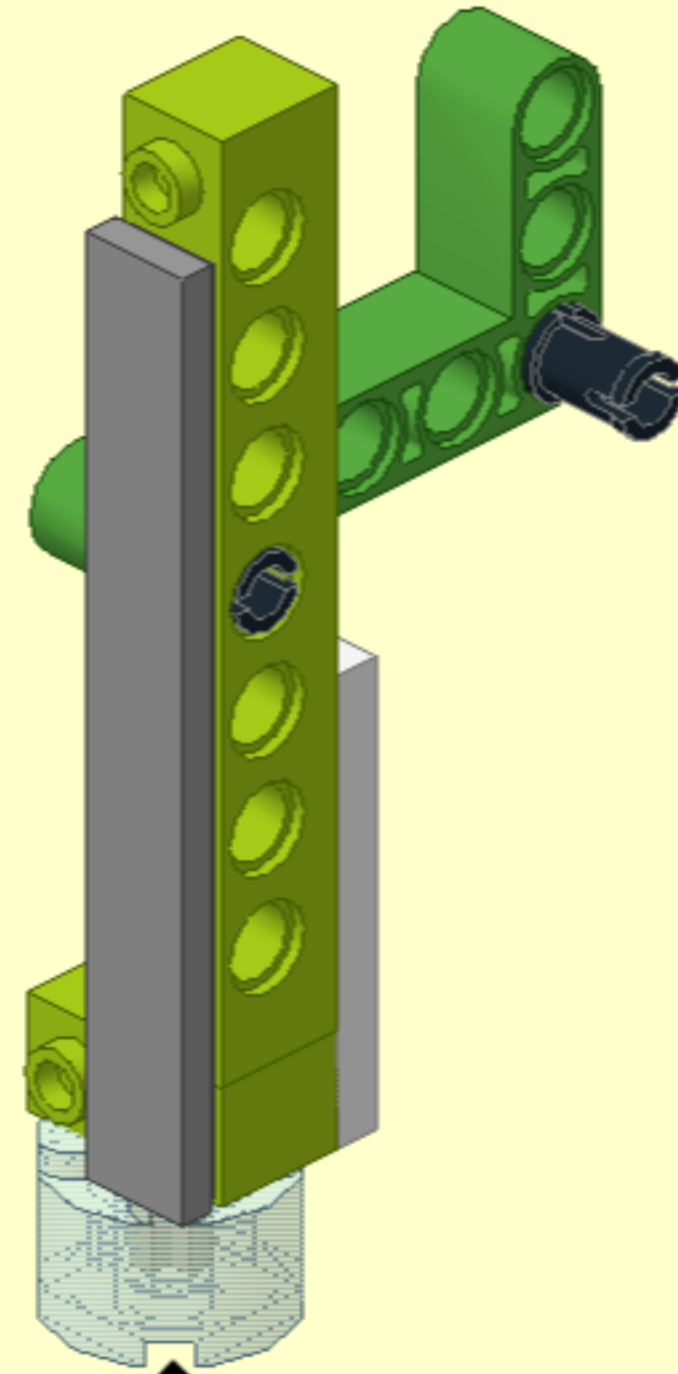
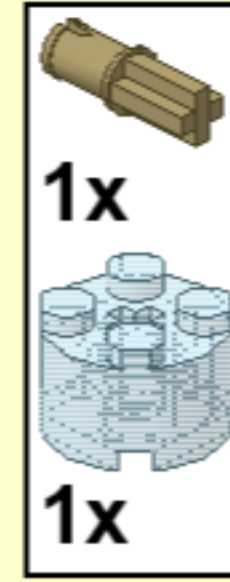
2



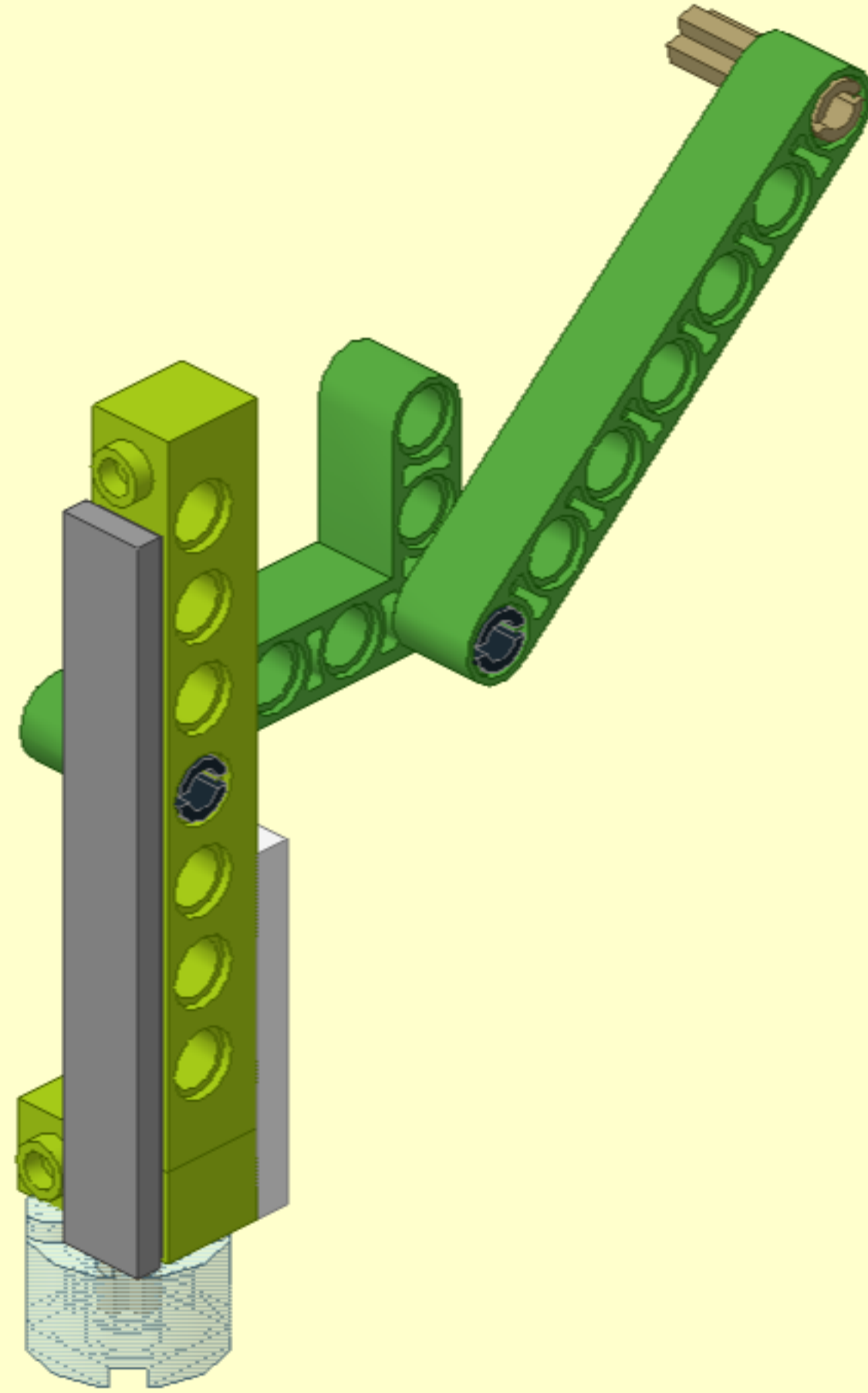
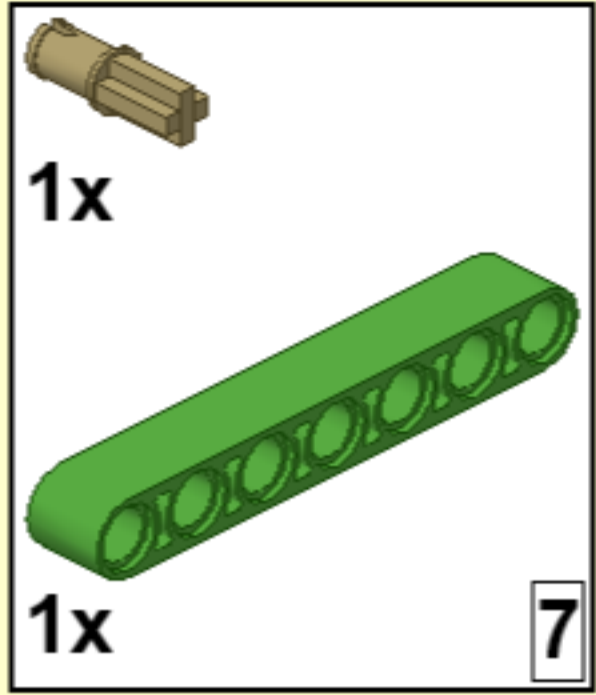
3



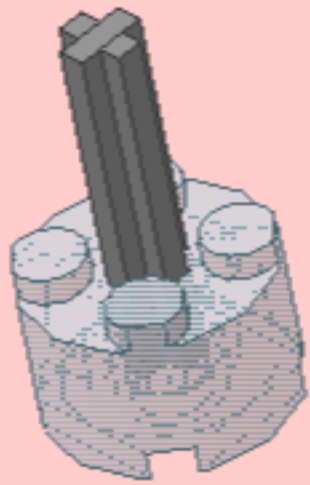
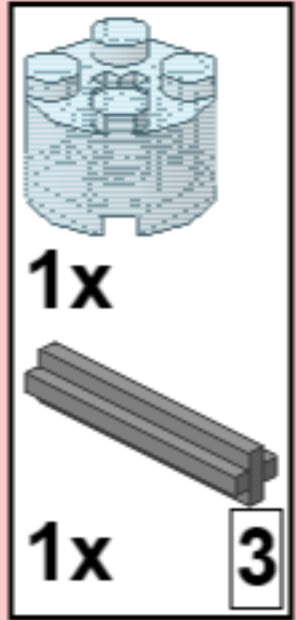
4



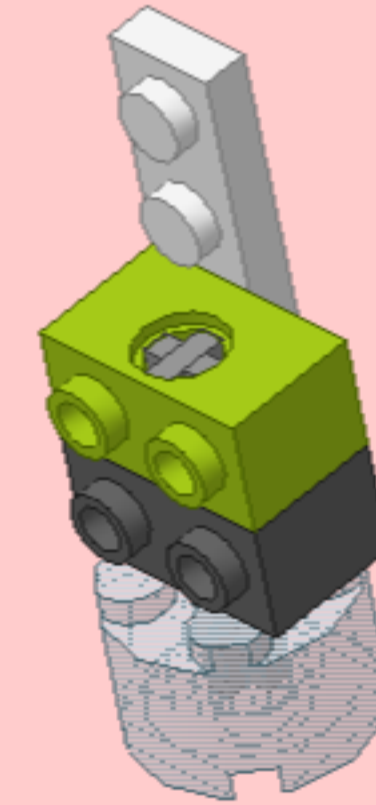
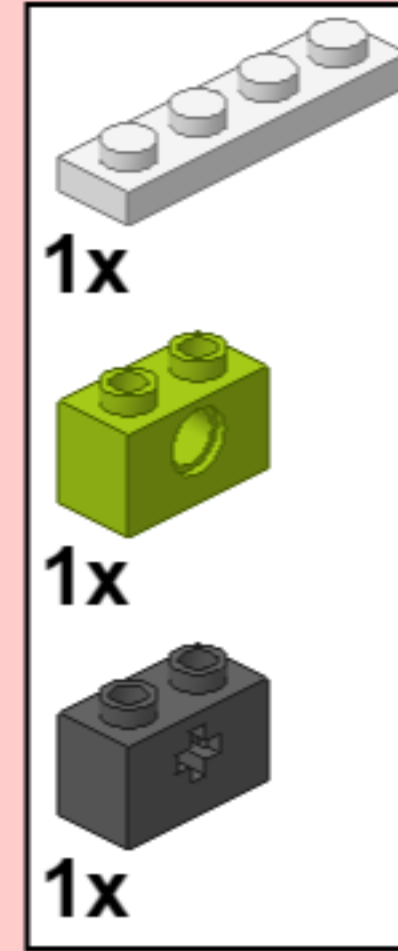
5



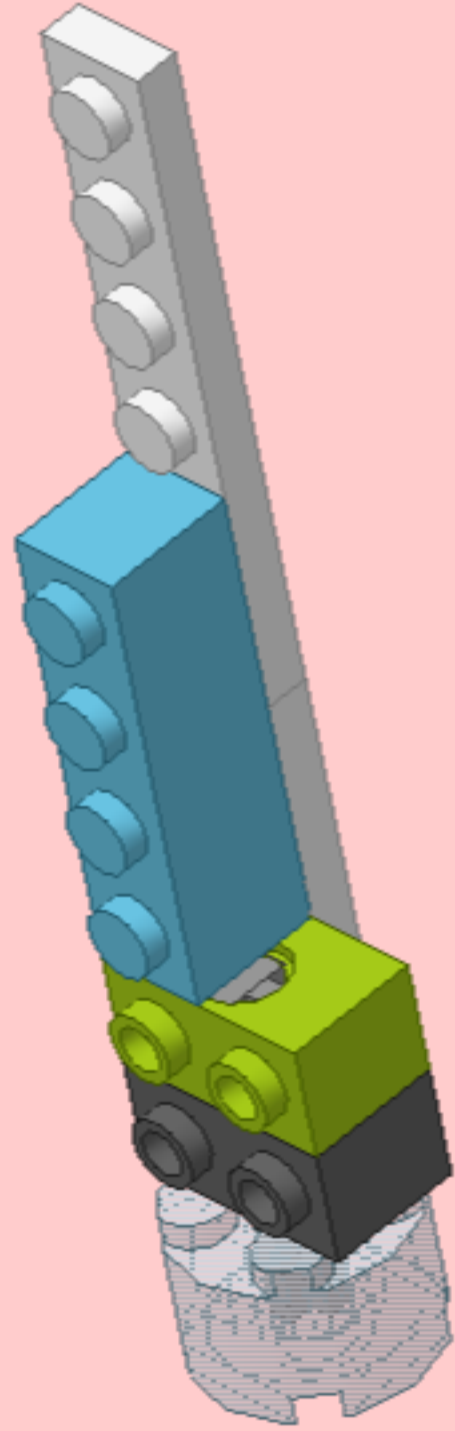
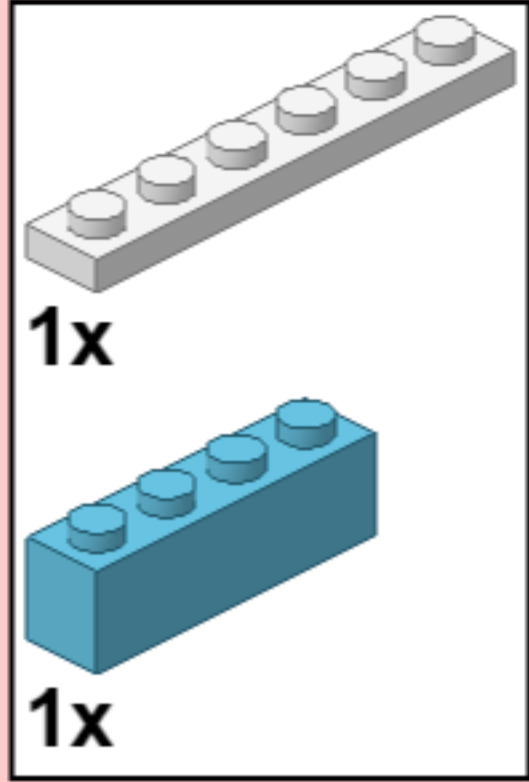
1



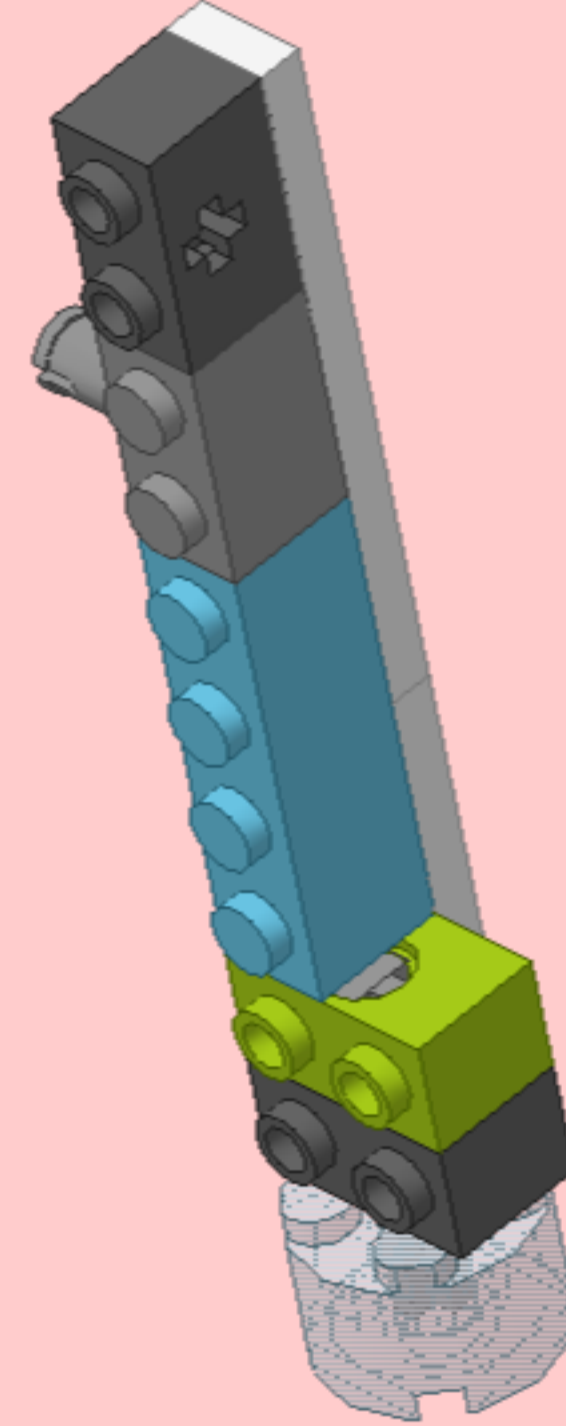
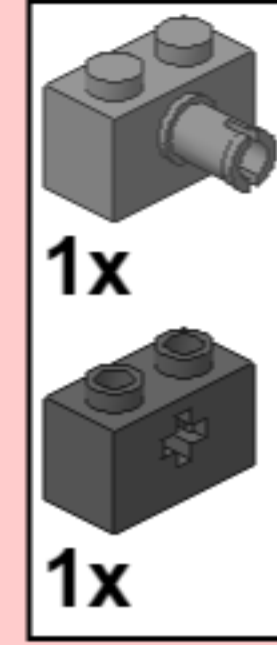
2



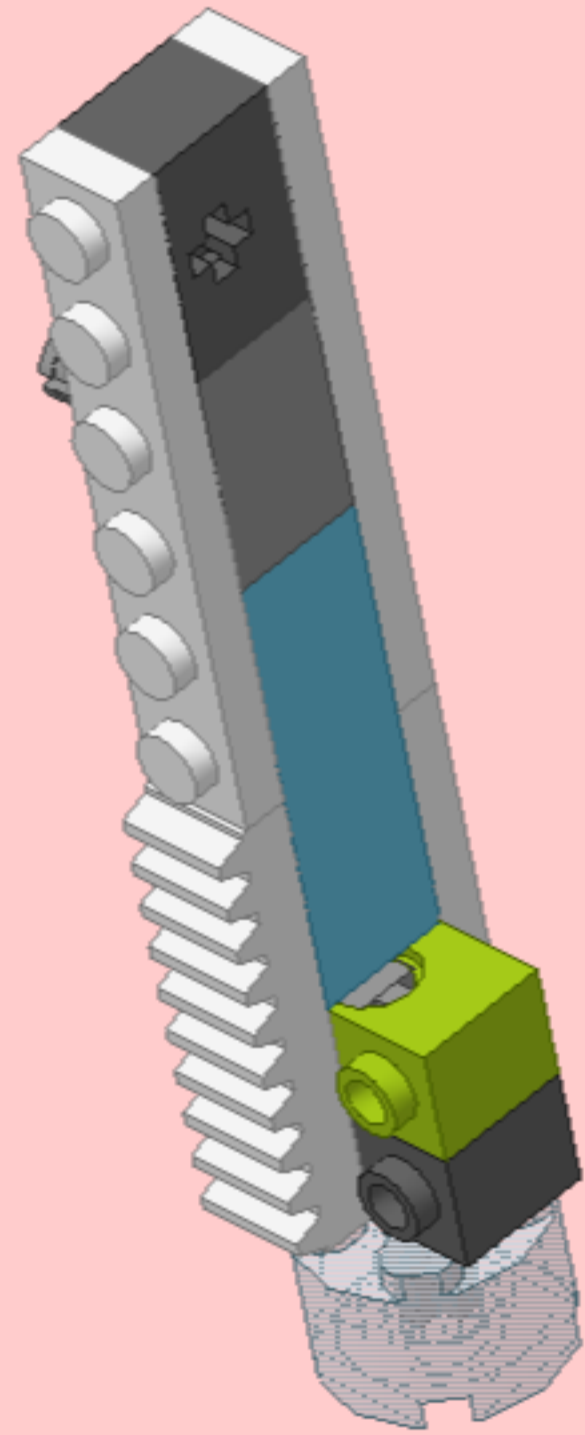
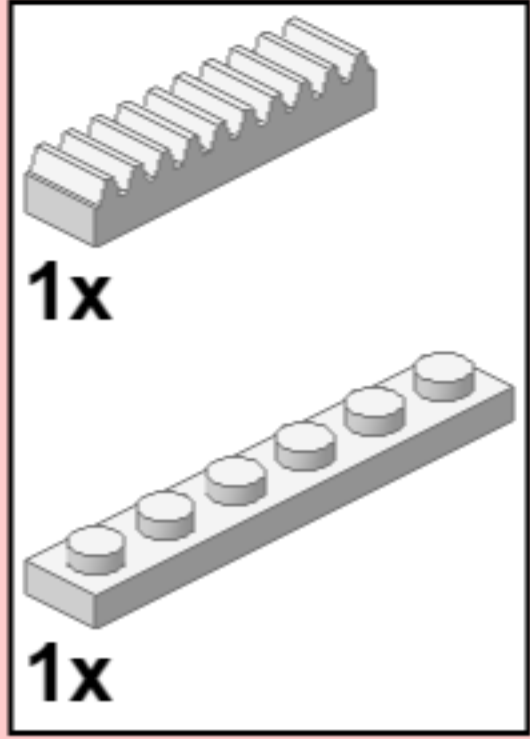
3



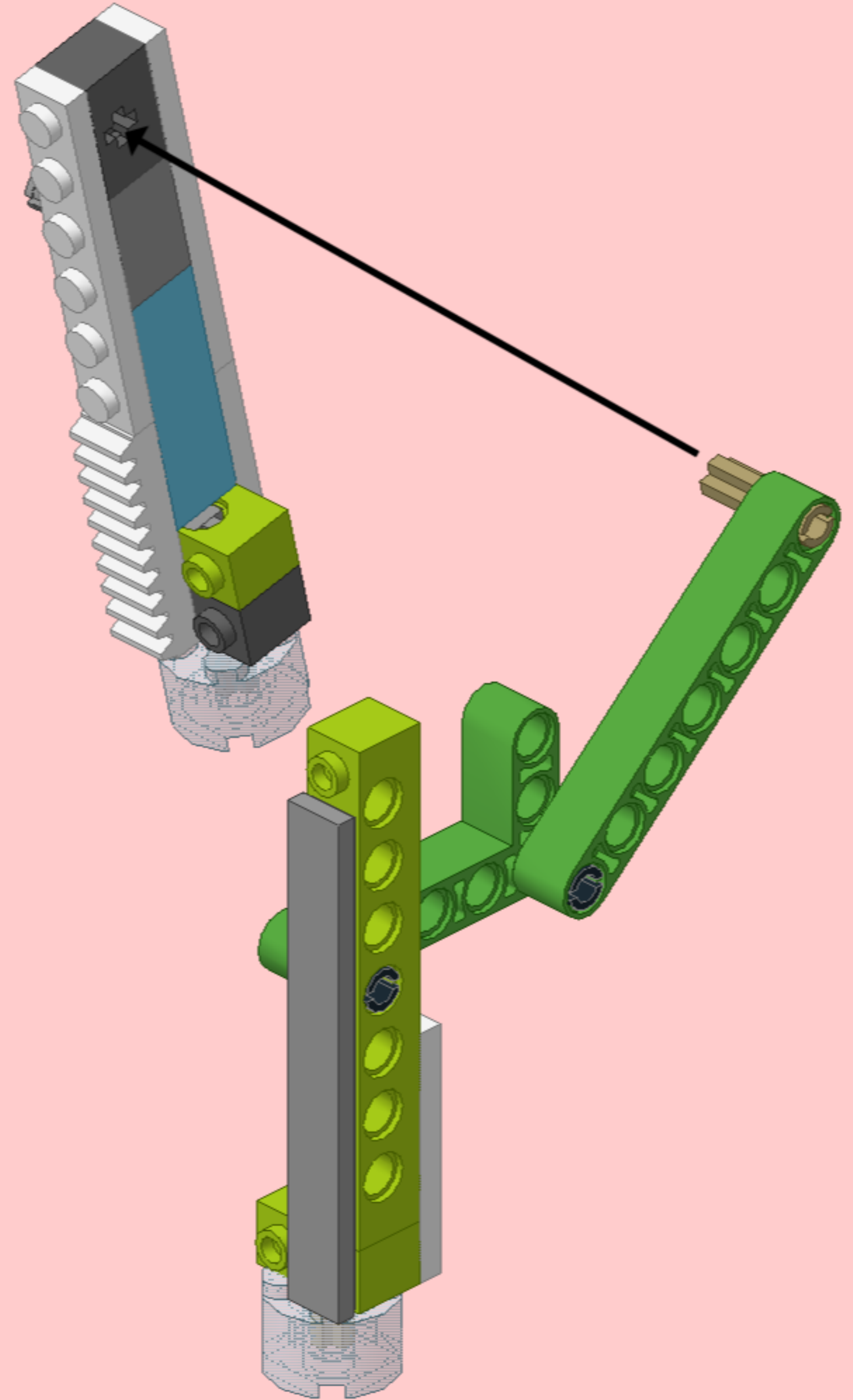
4



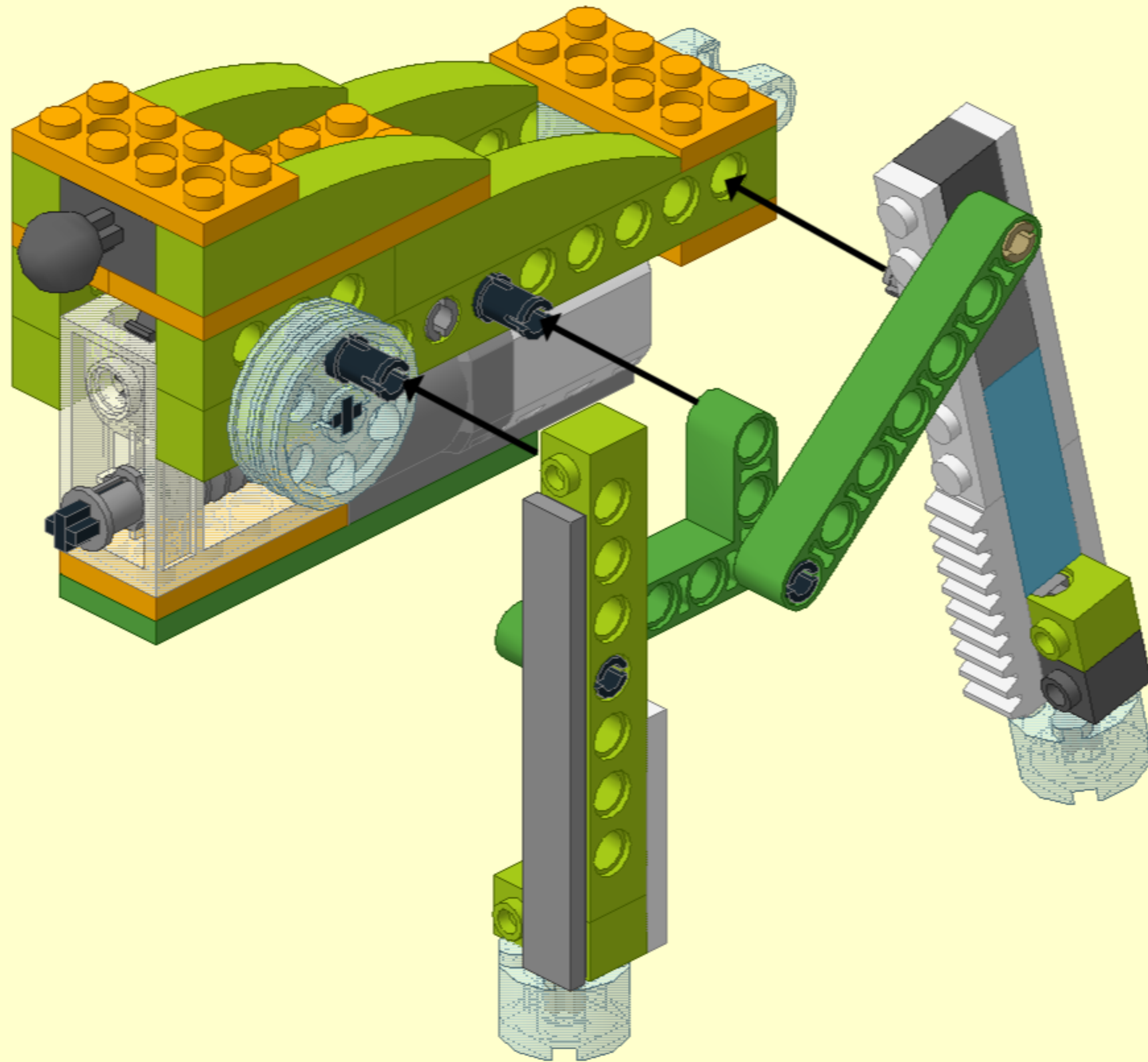
5



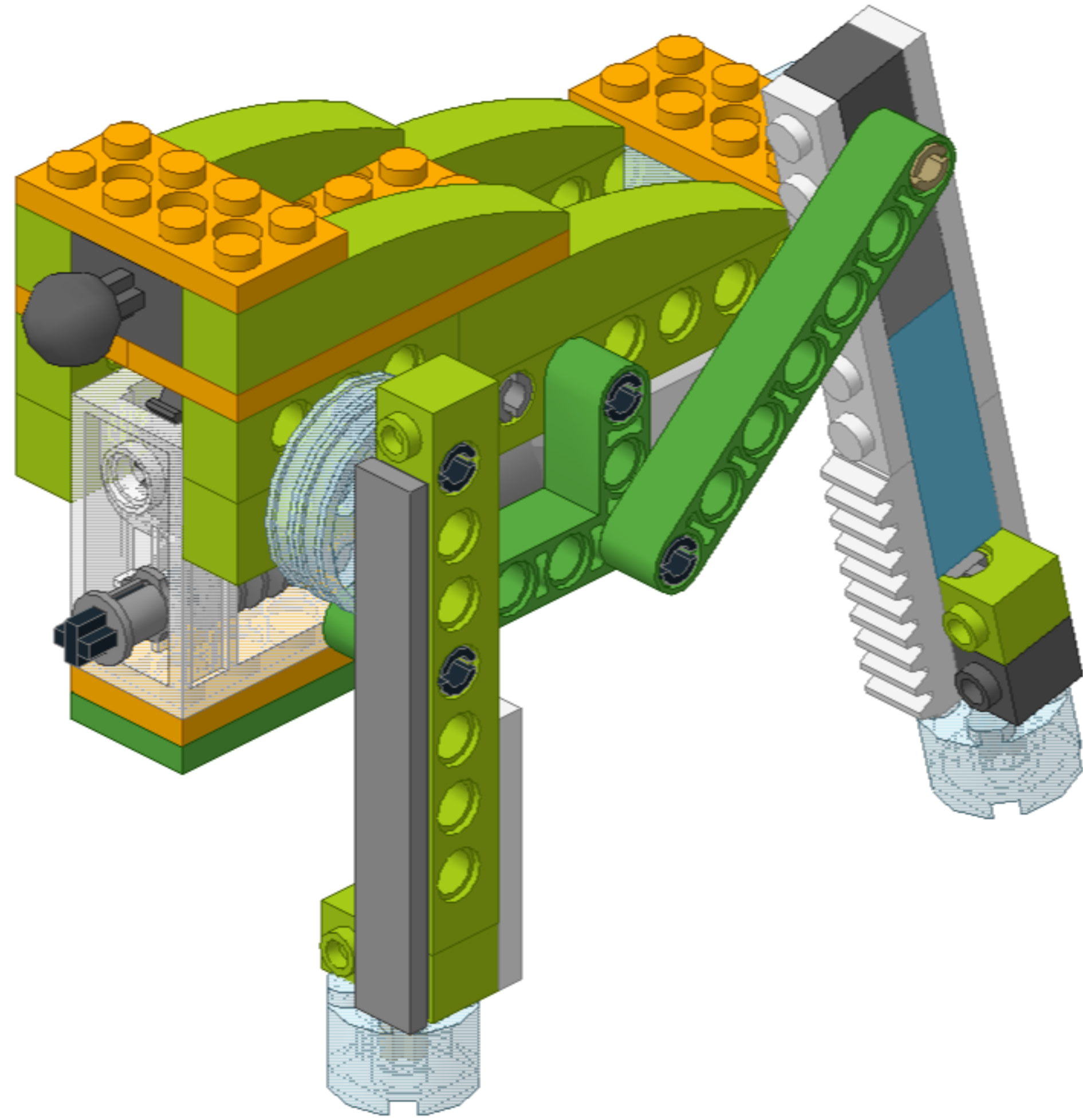
6



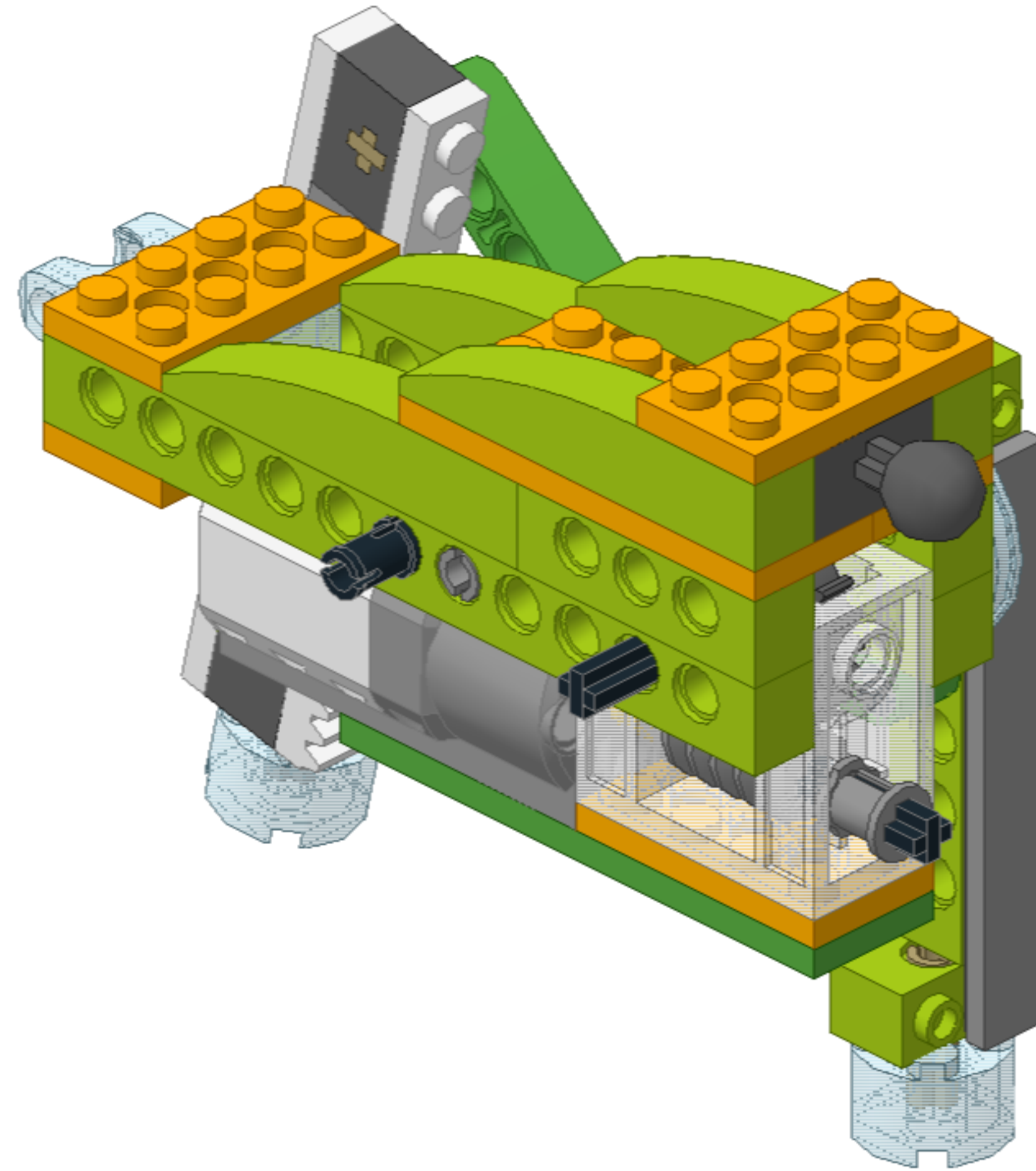
7



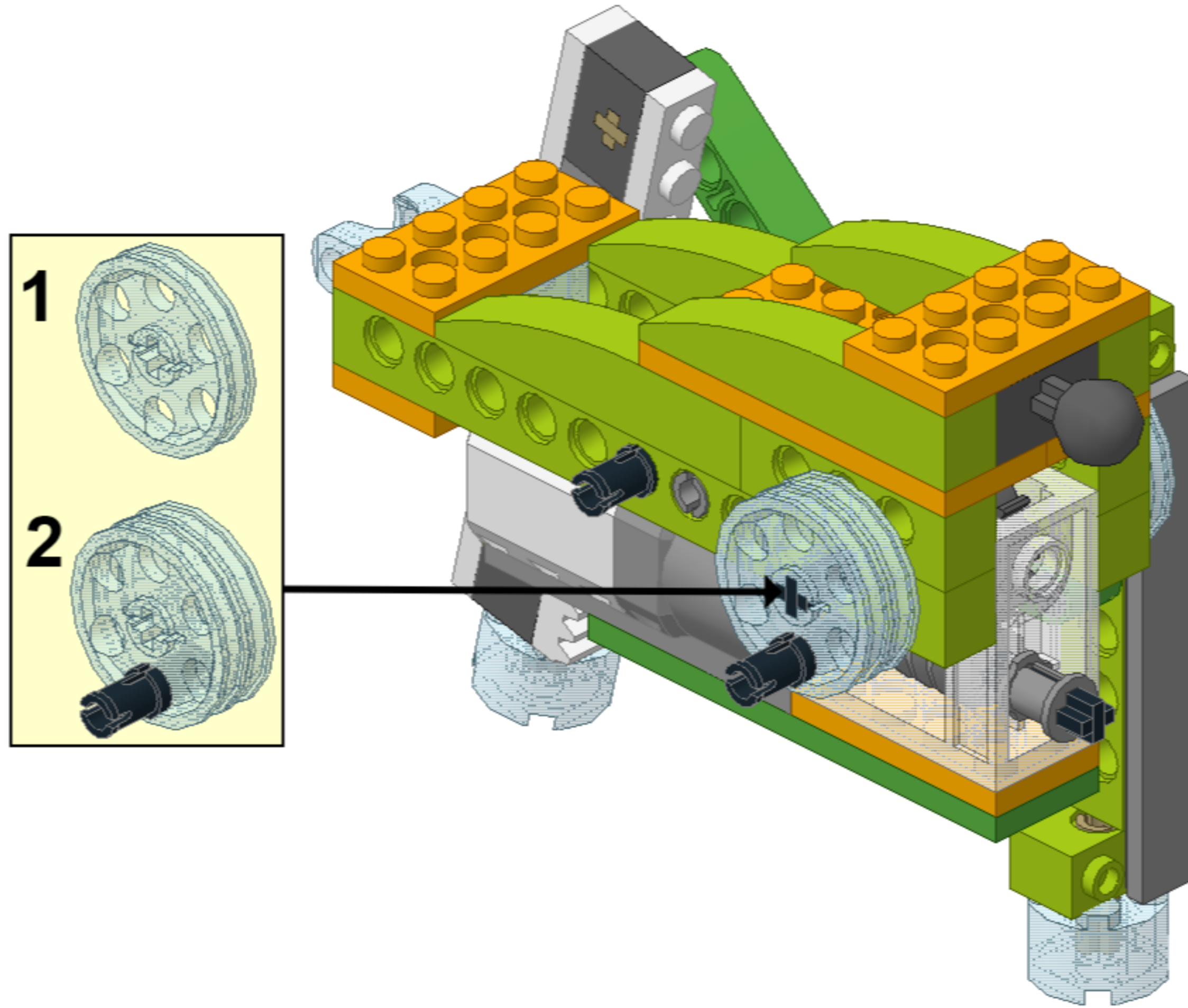
9



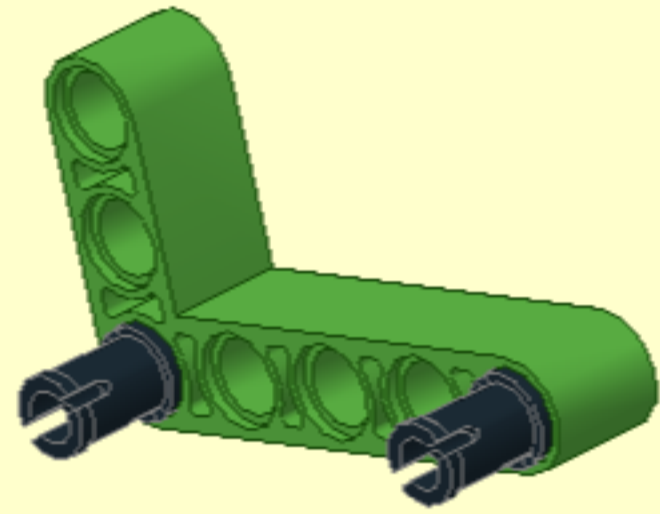
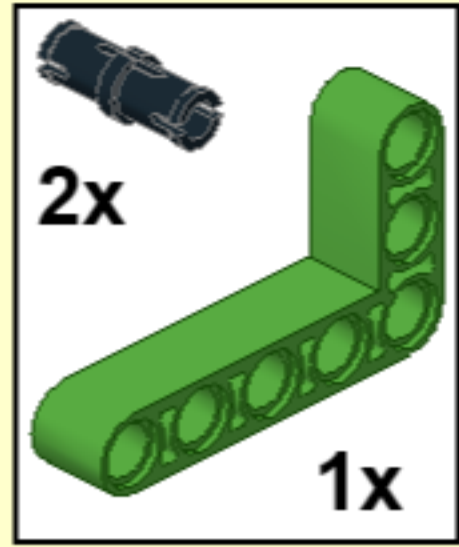
10



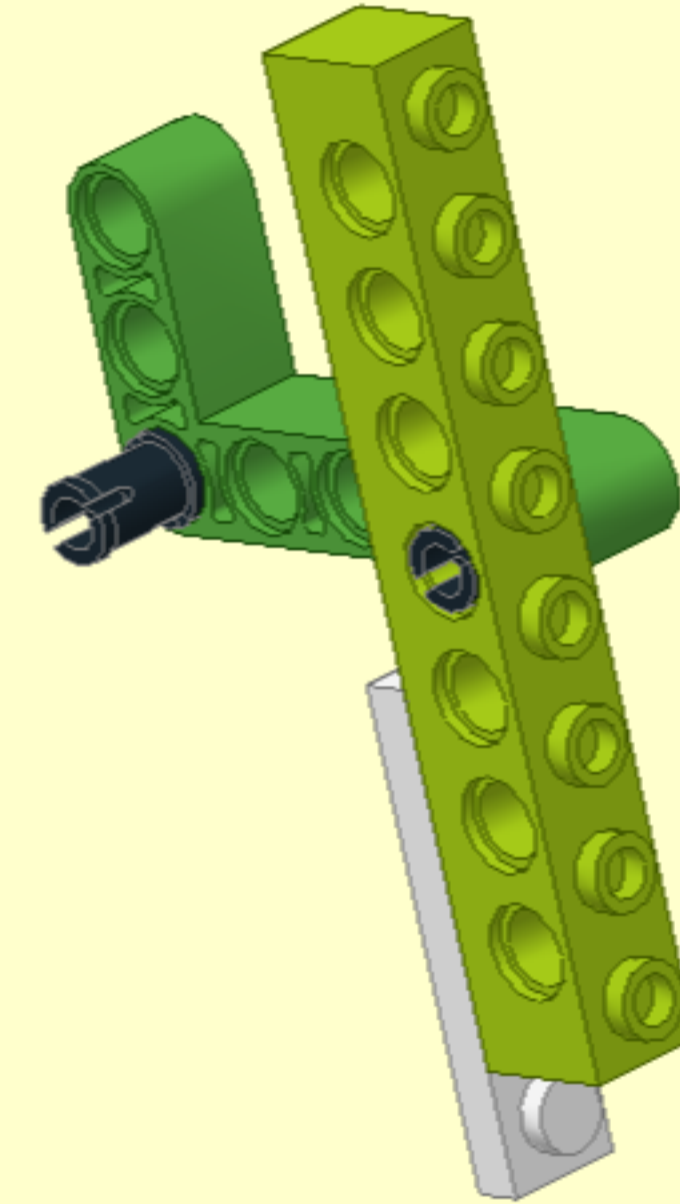
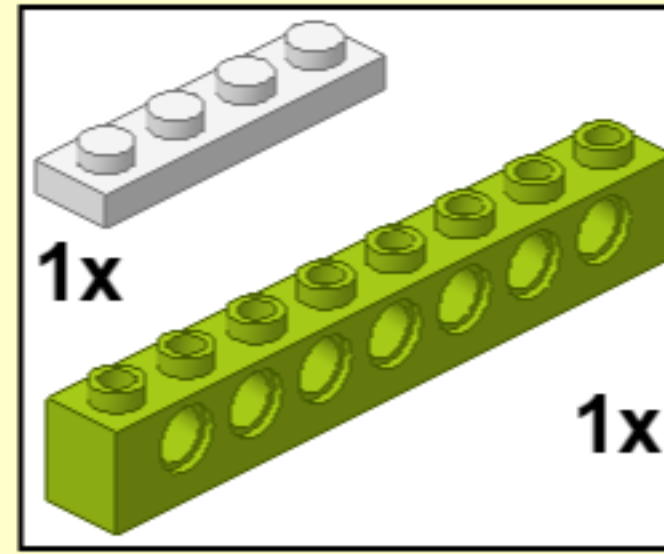
11



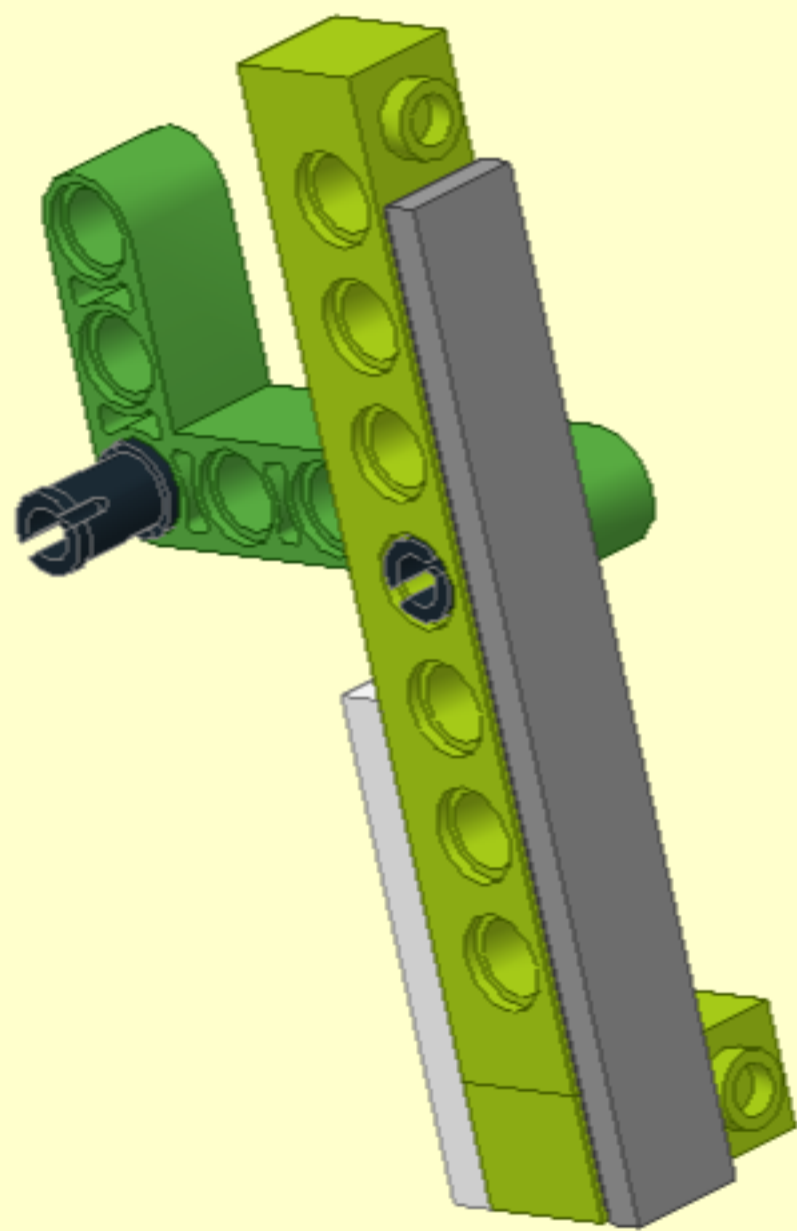
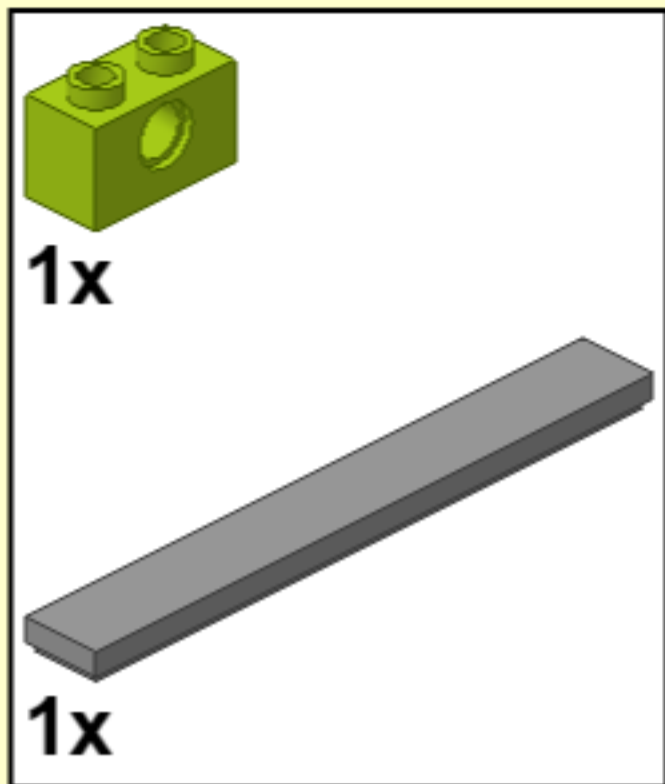
1



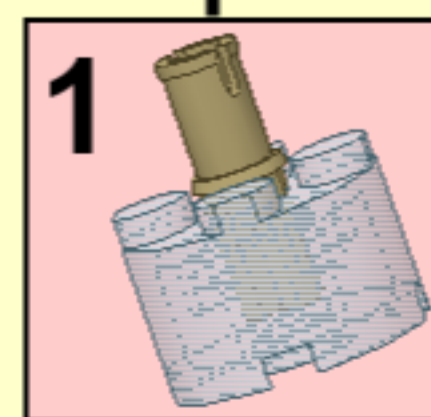
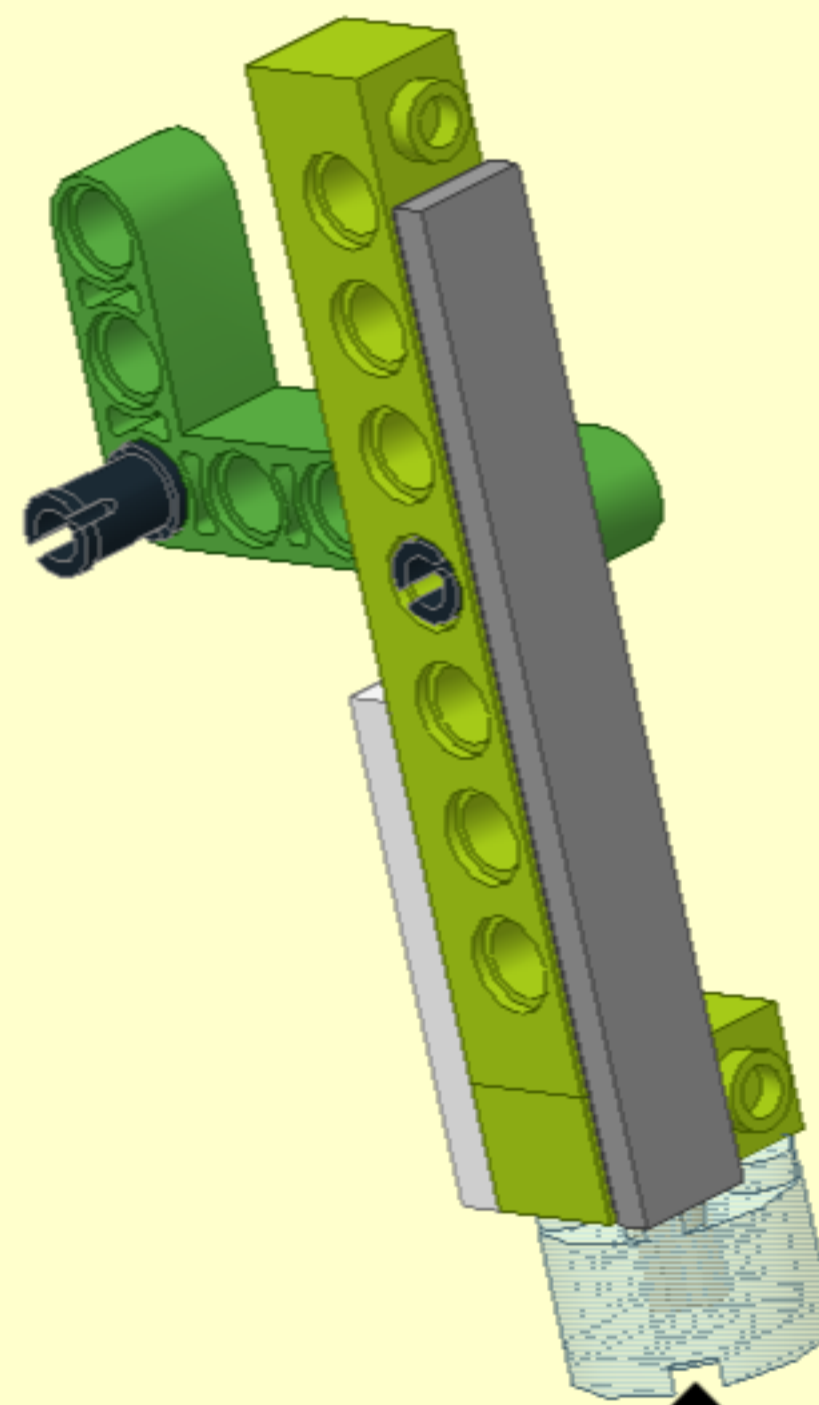
2



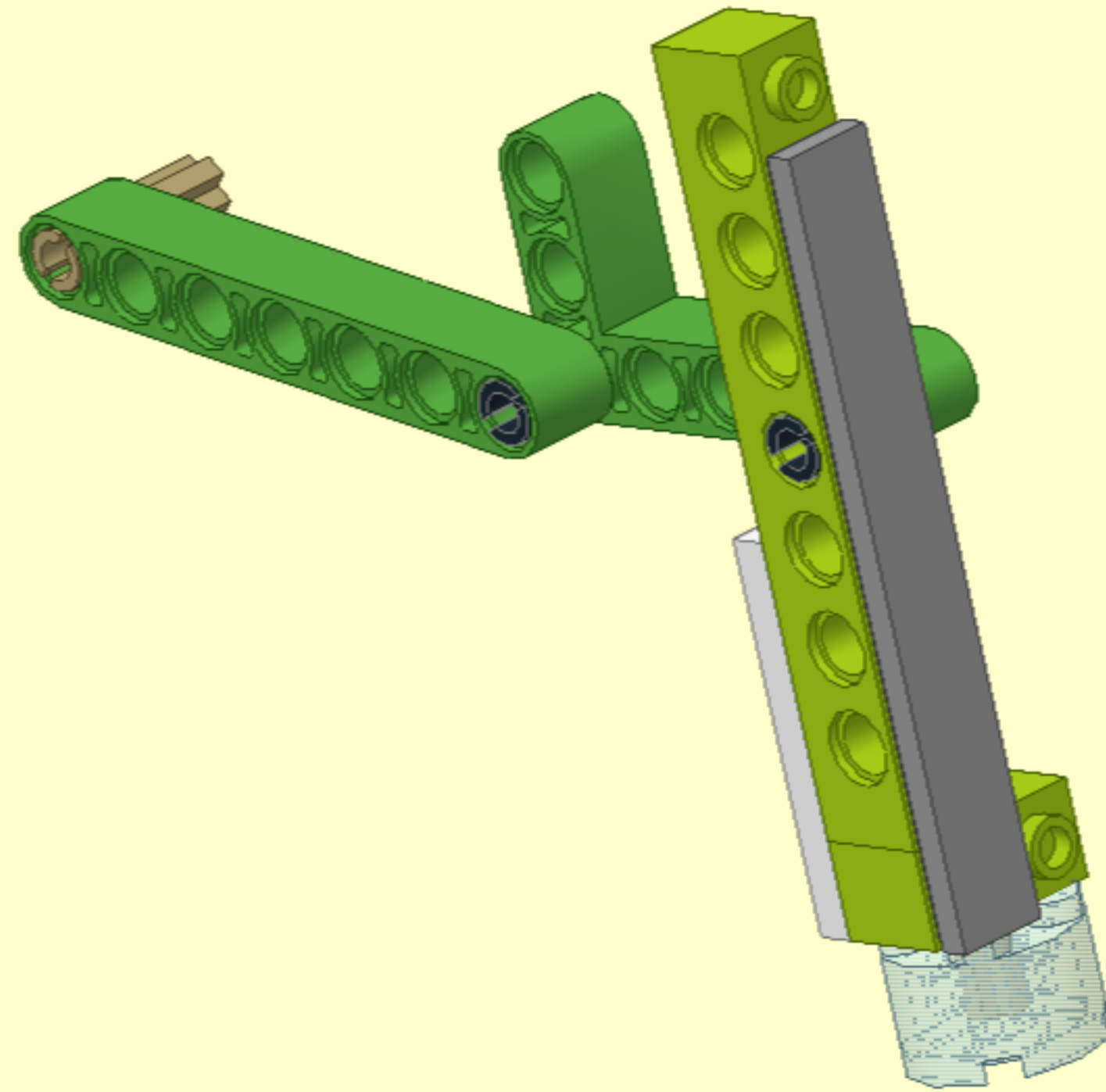
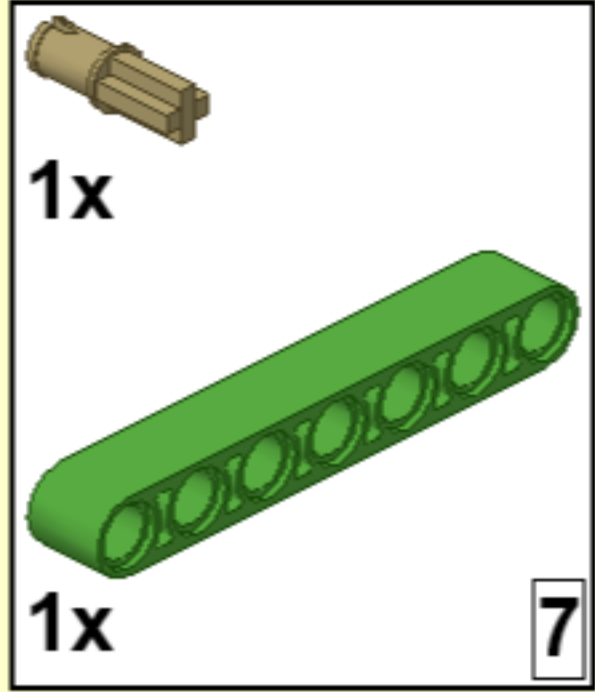
3



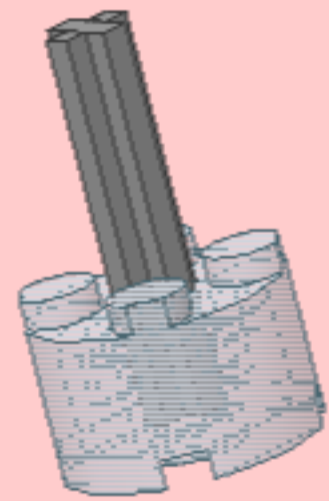
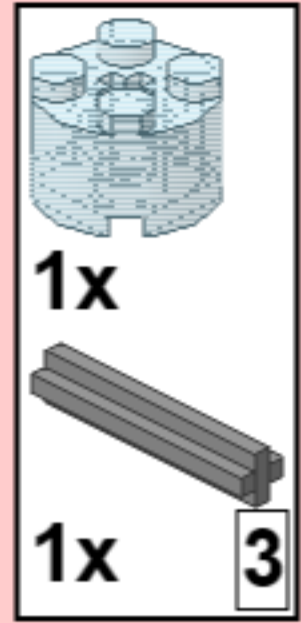
4



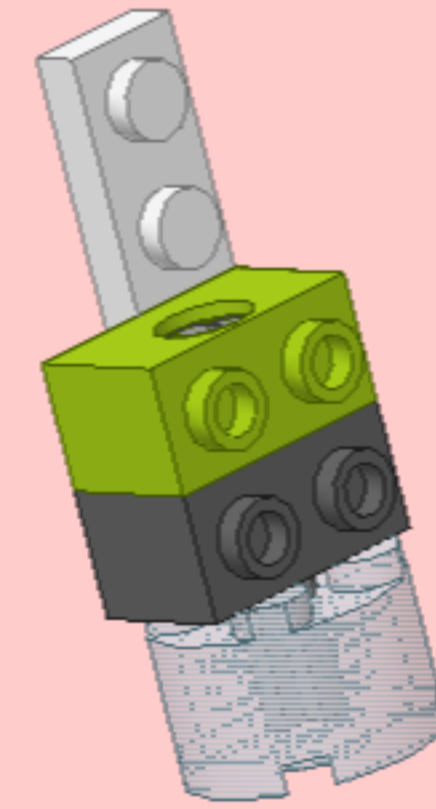
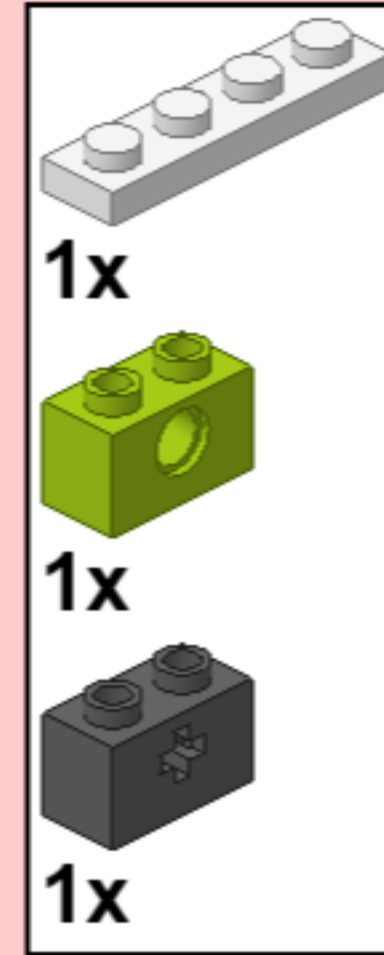
5



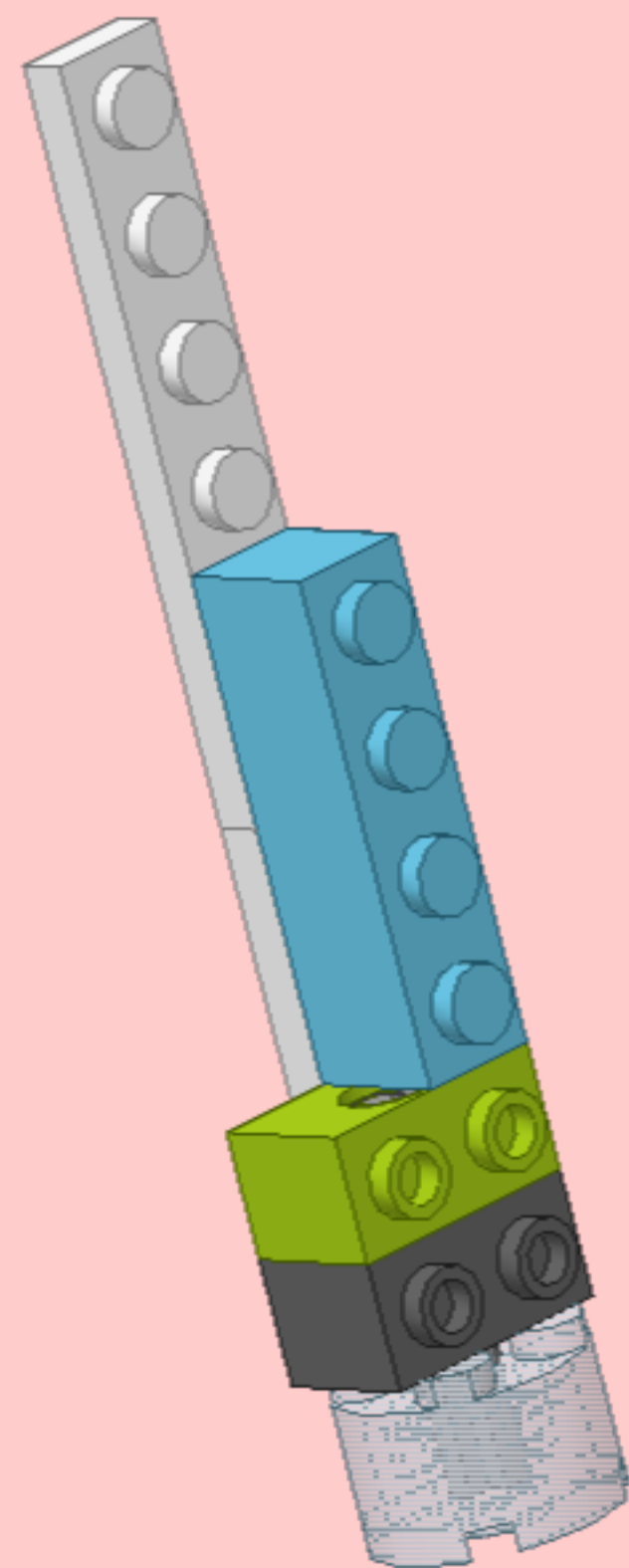
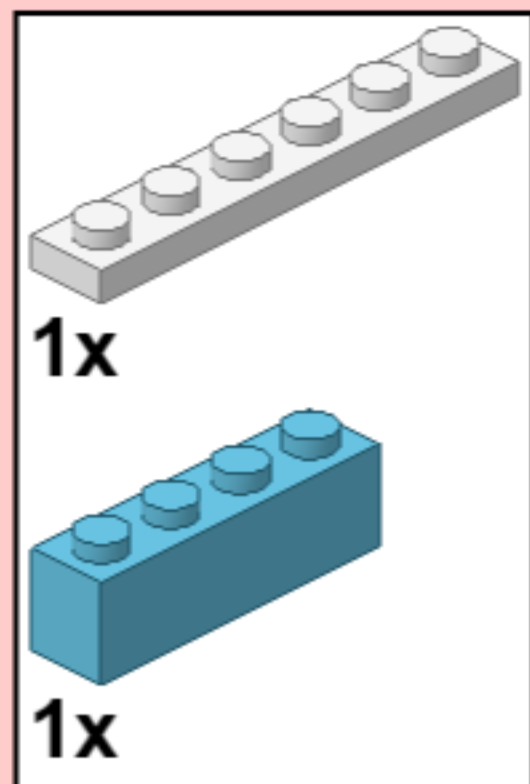
1



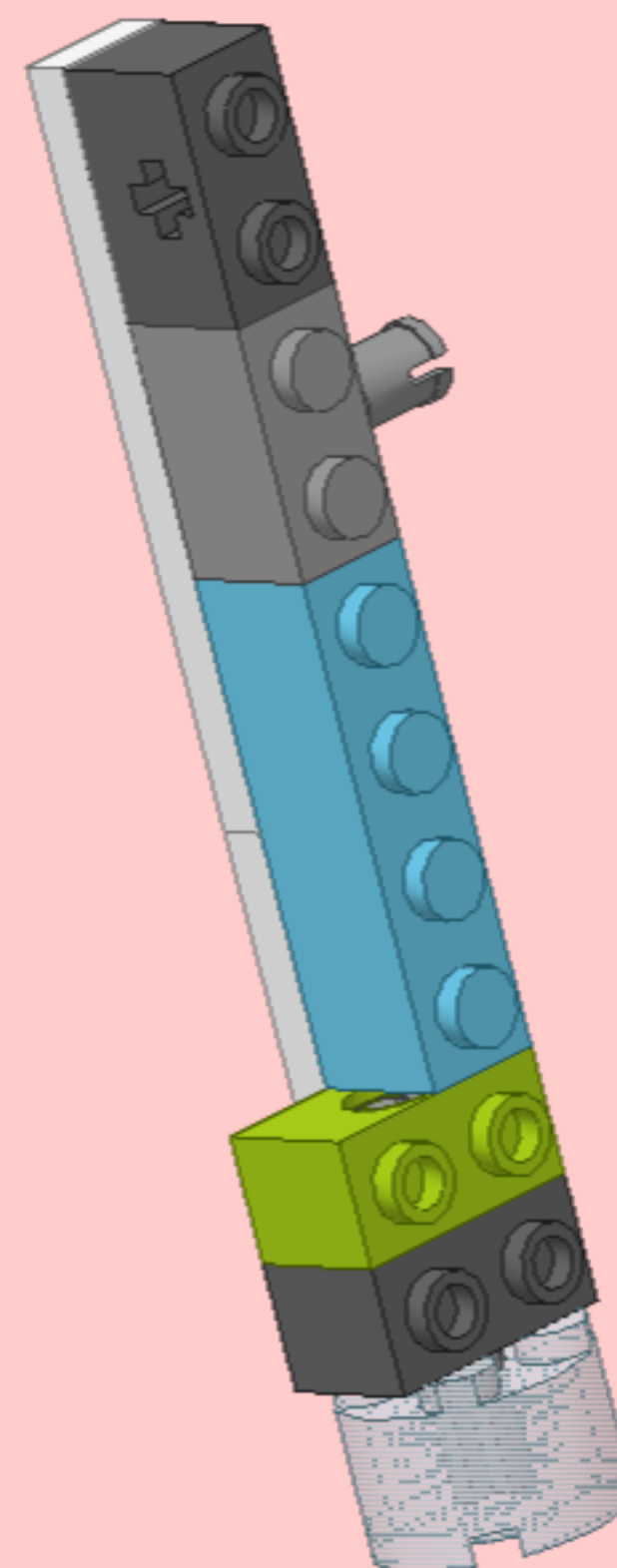
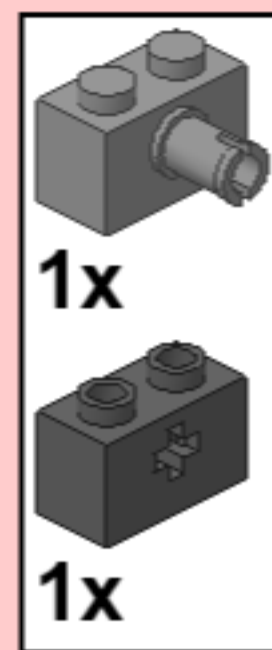
2



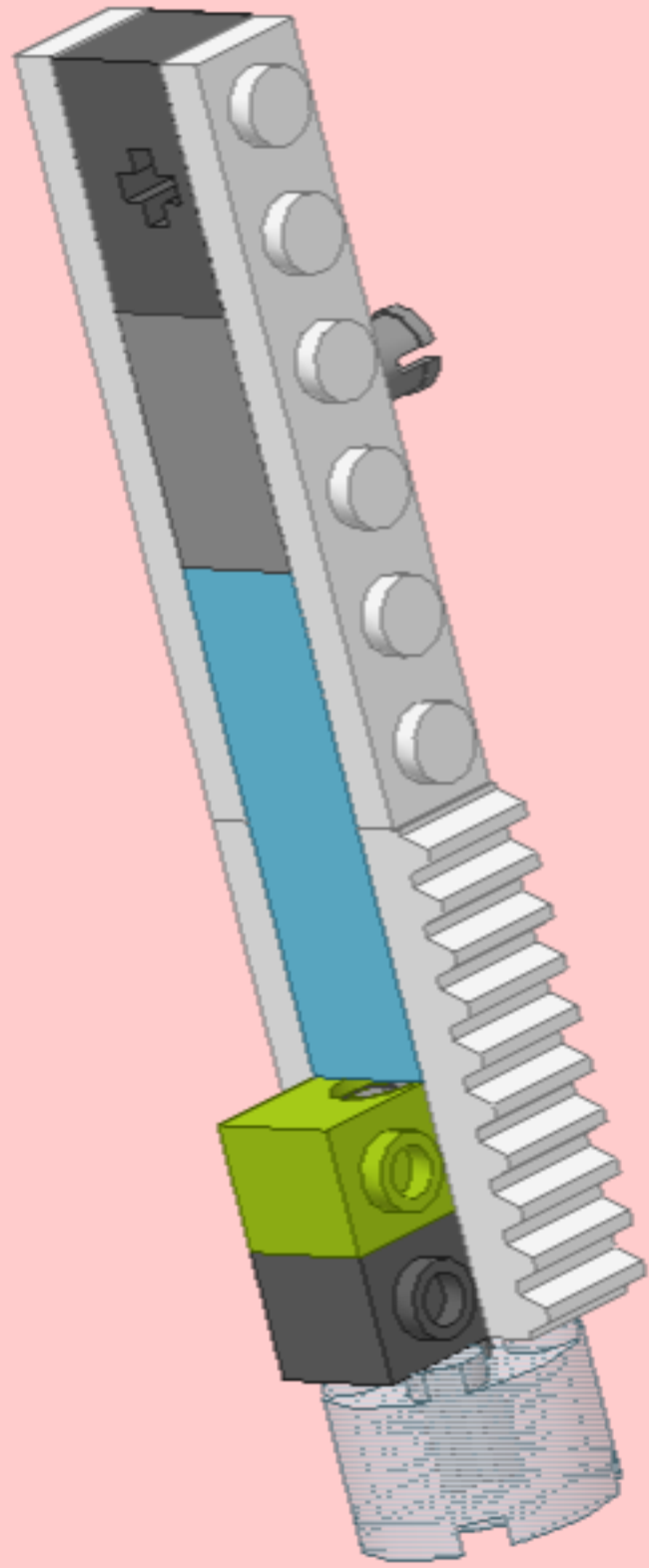
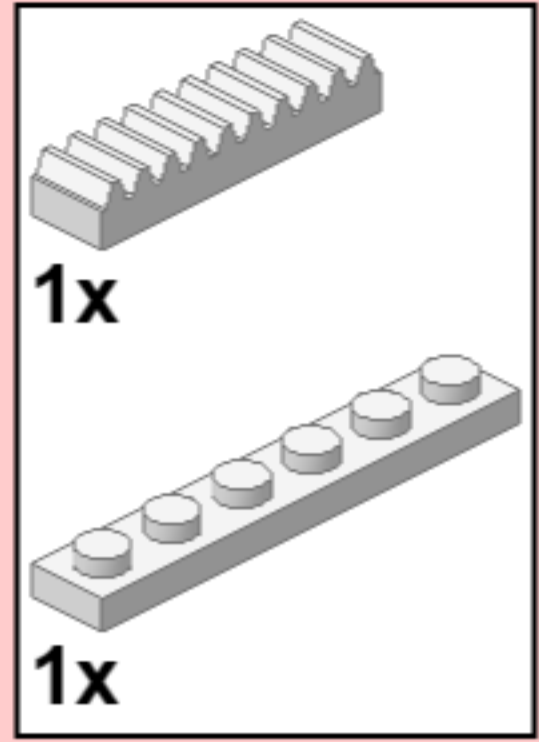
3



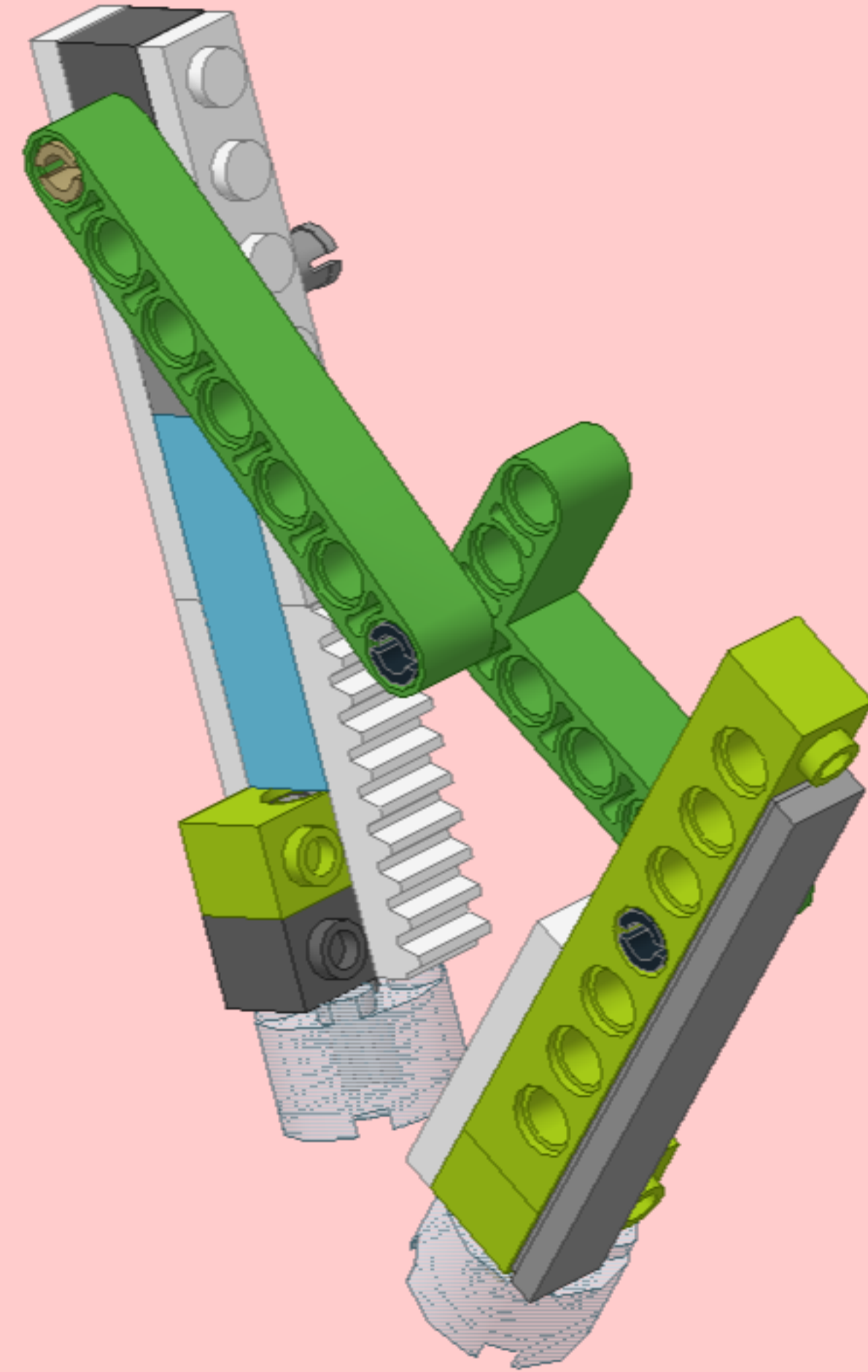
4



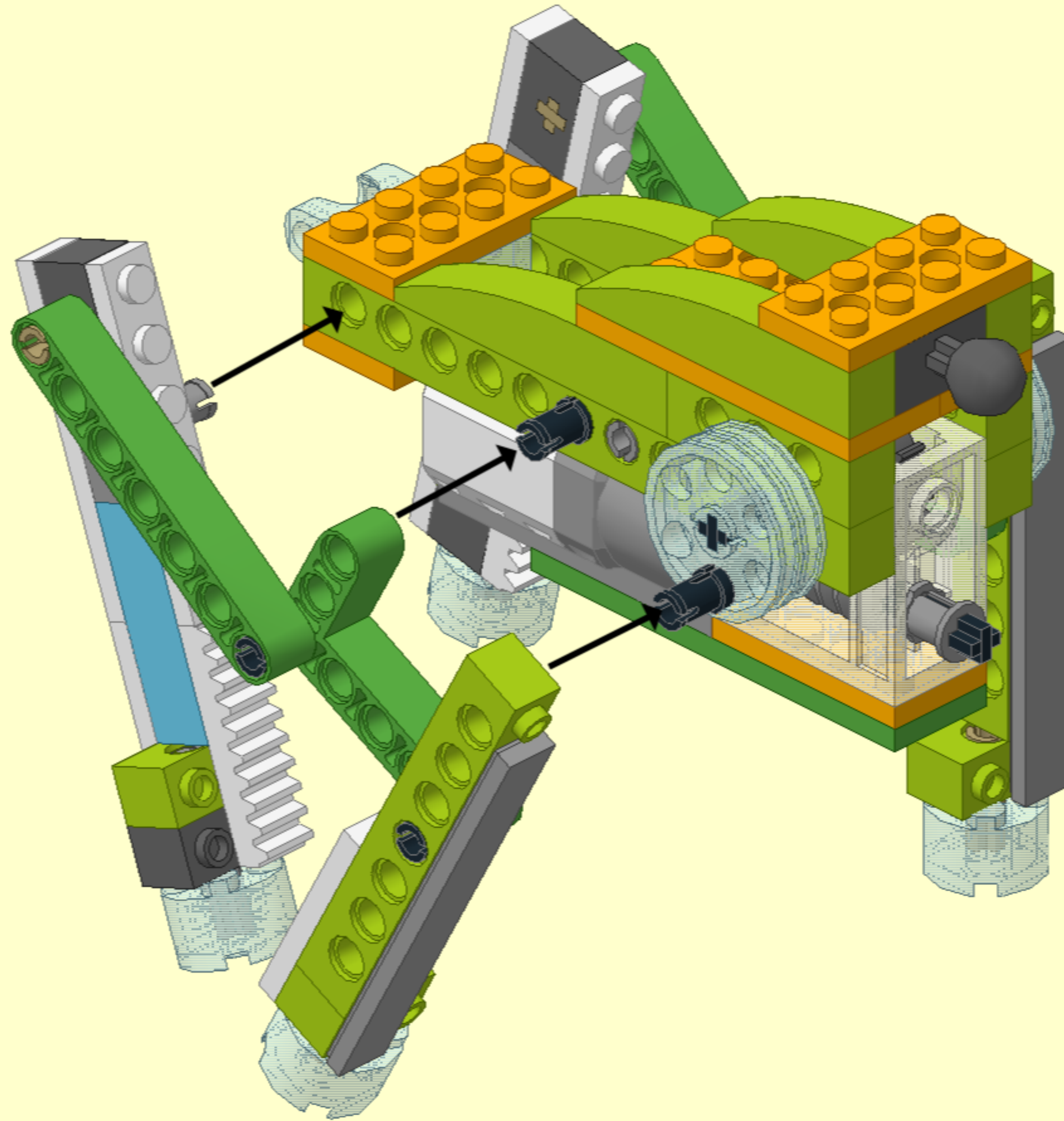
5

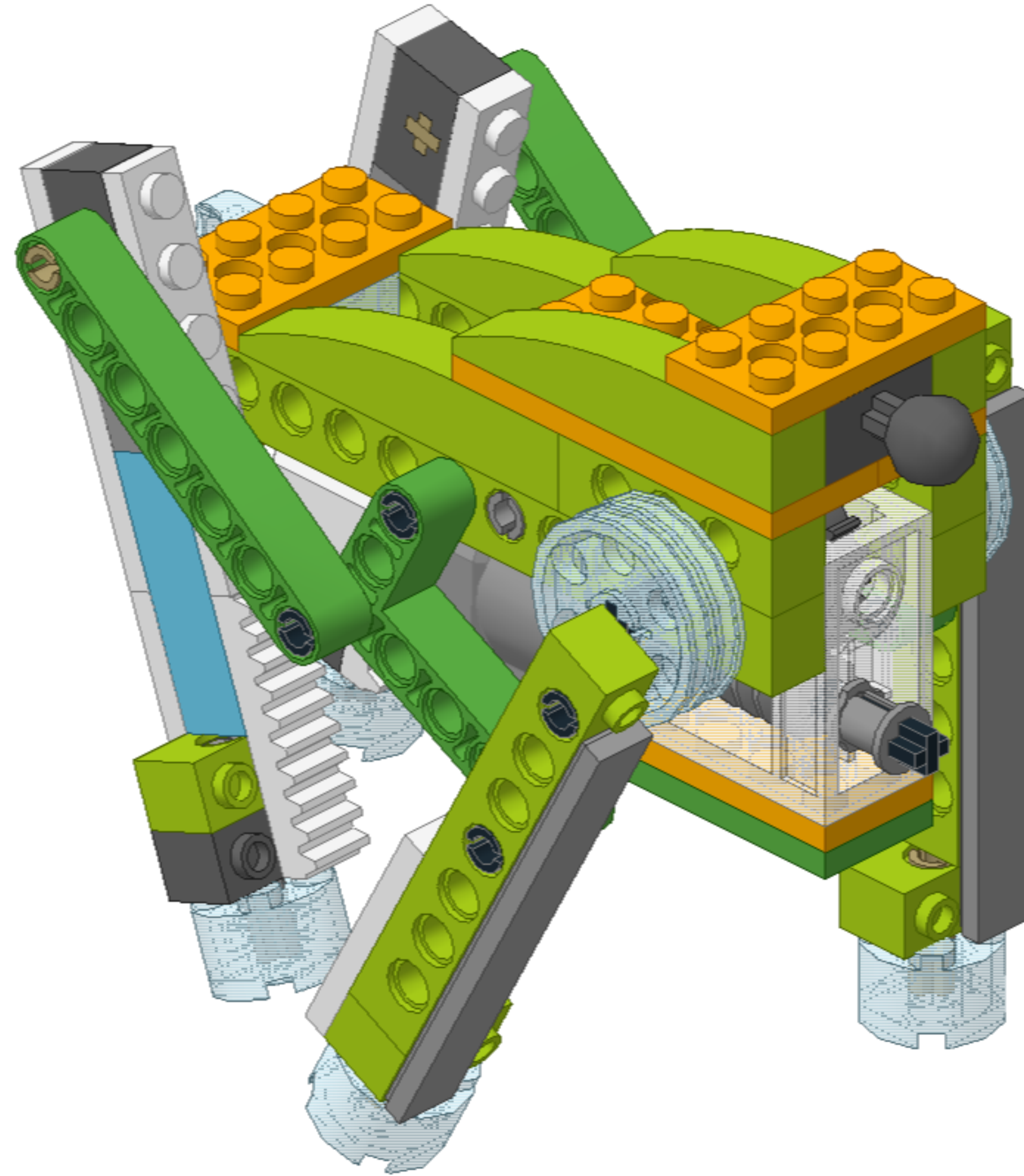


6

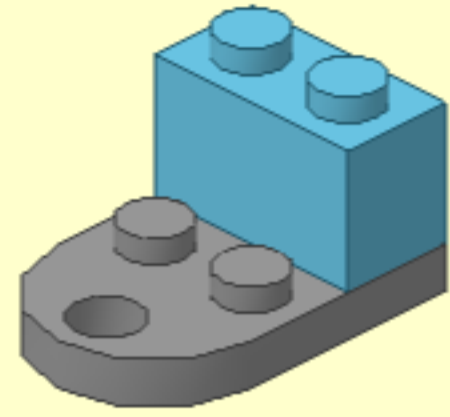
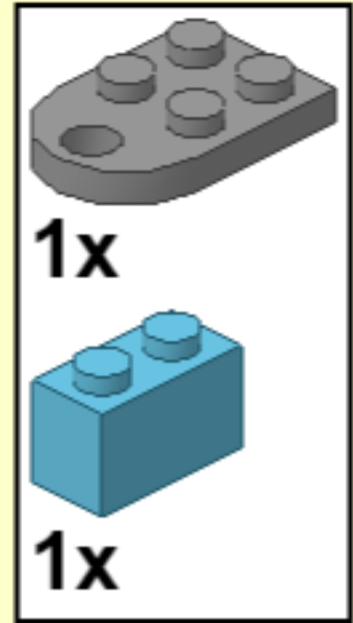


7

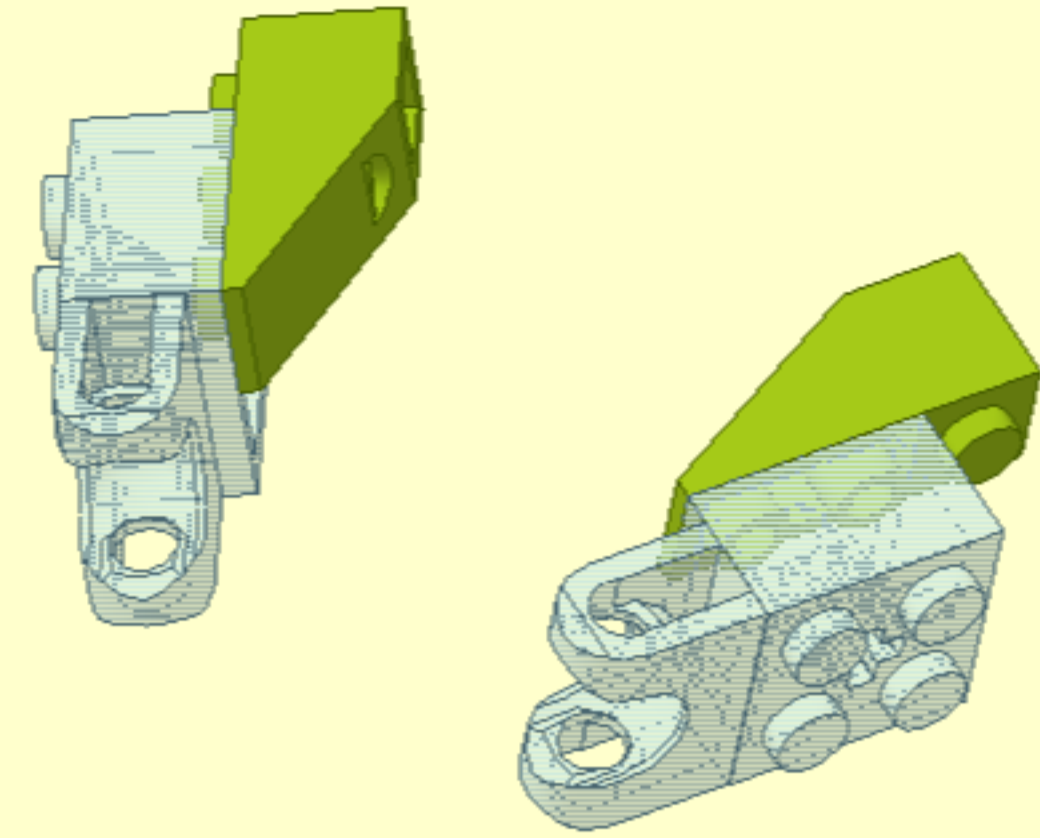
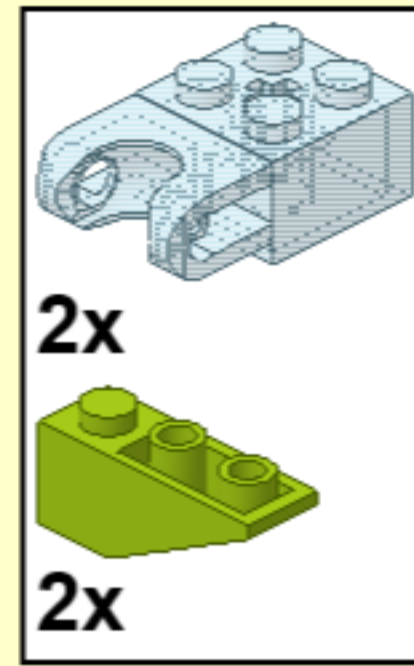




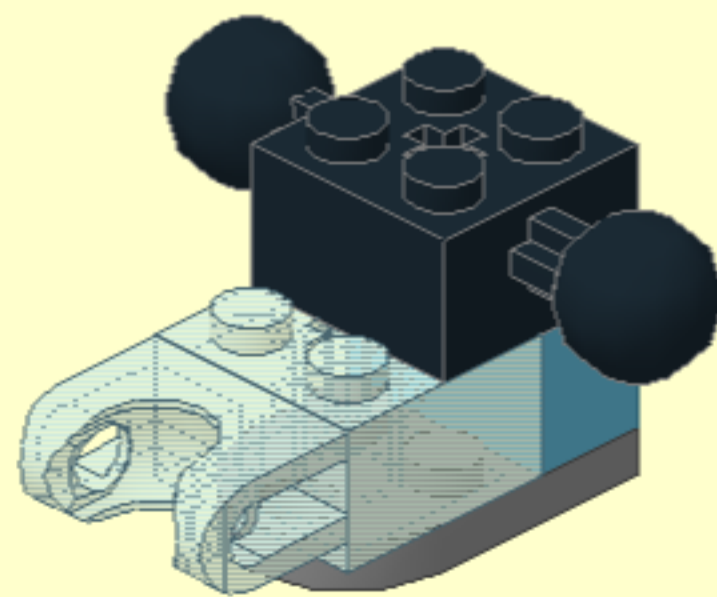
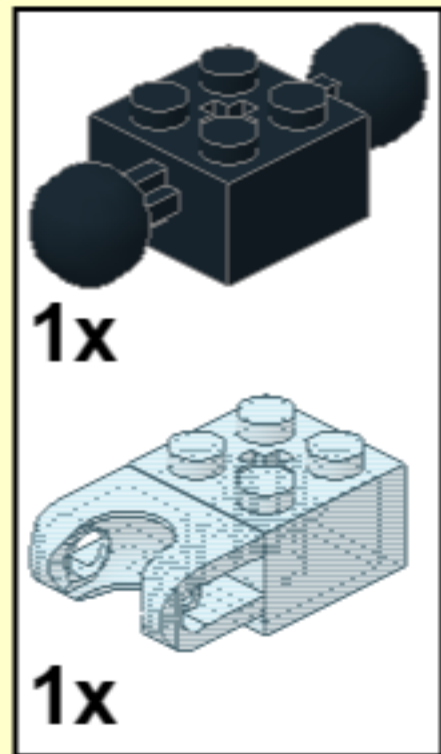
1



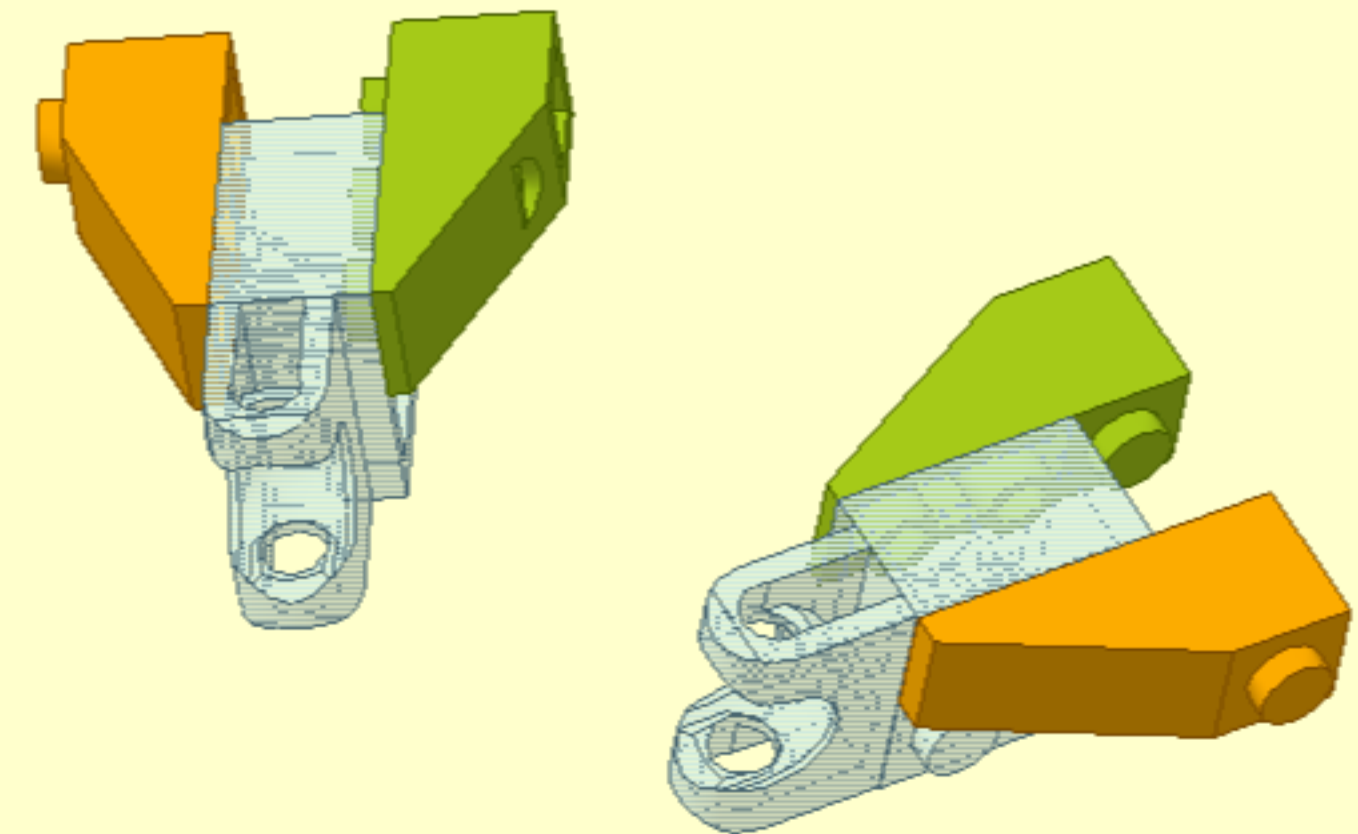
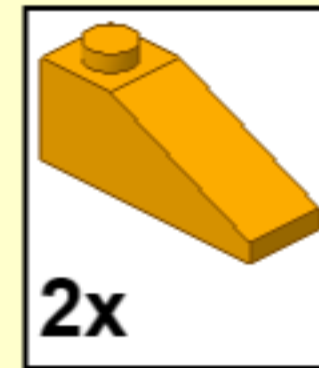
1



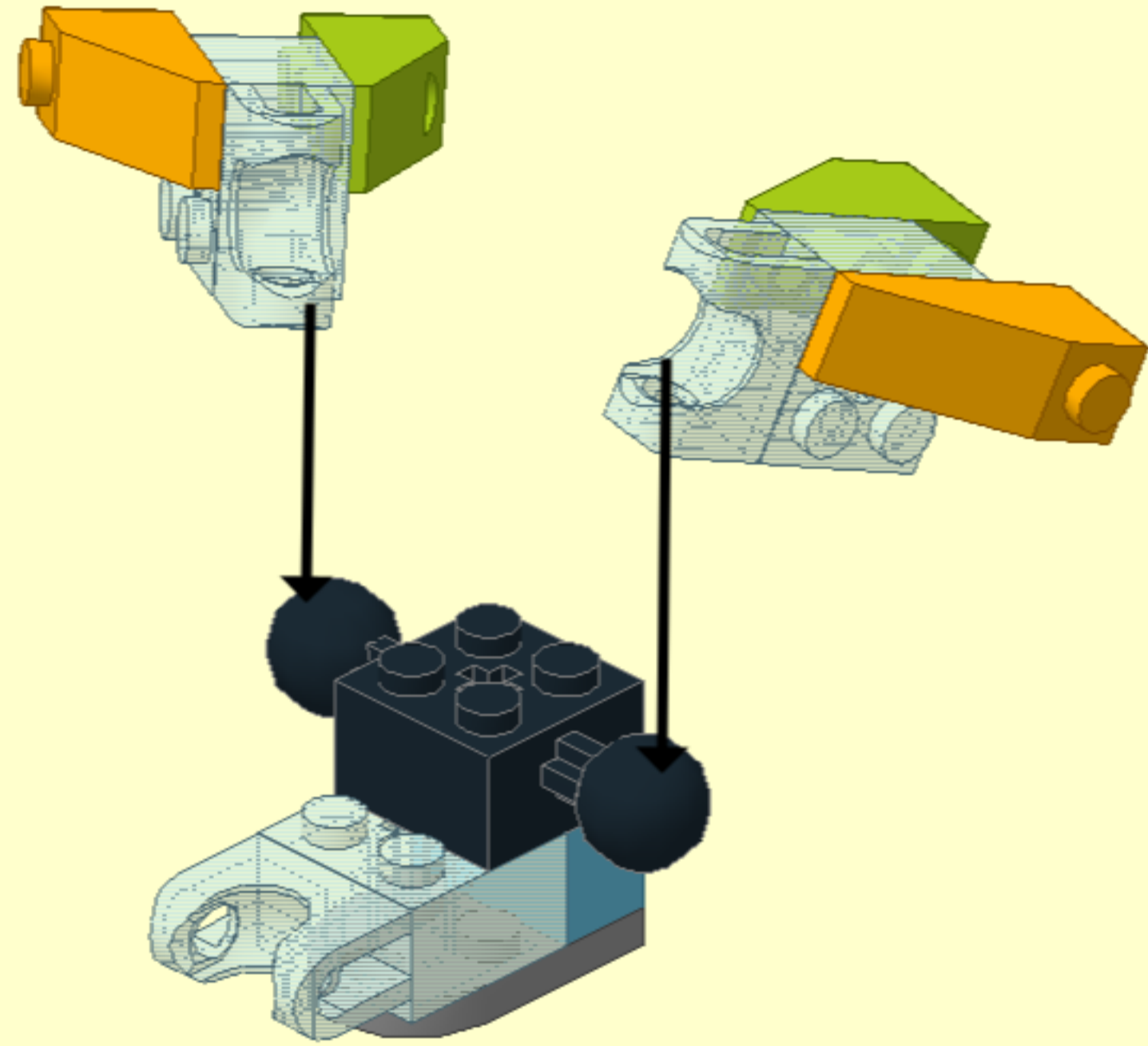
2



2

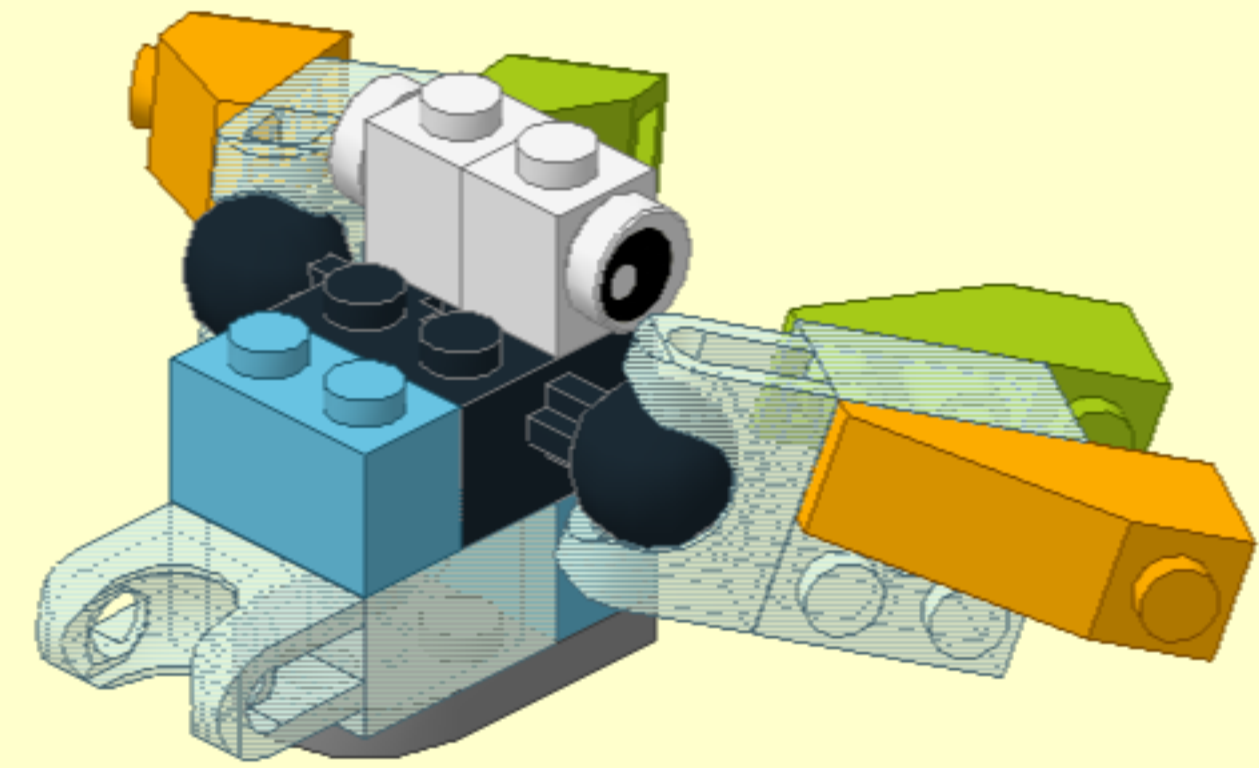


3

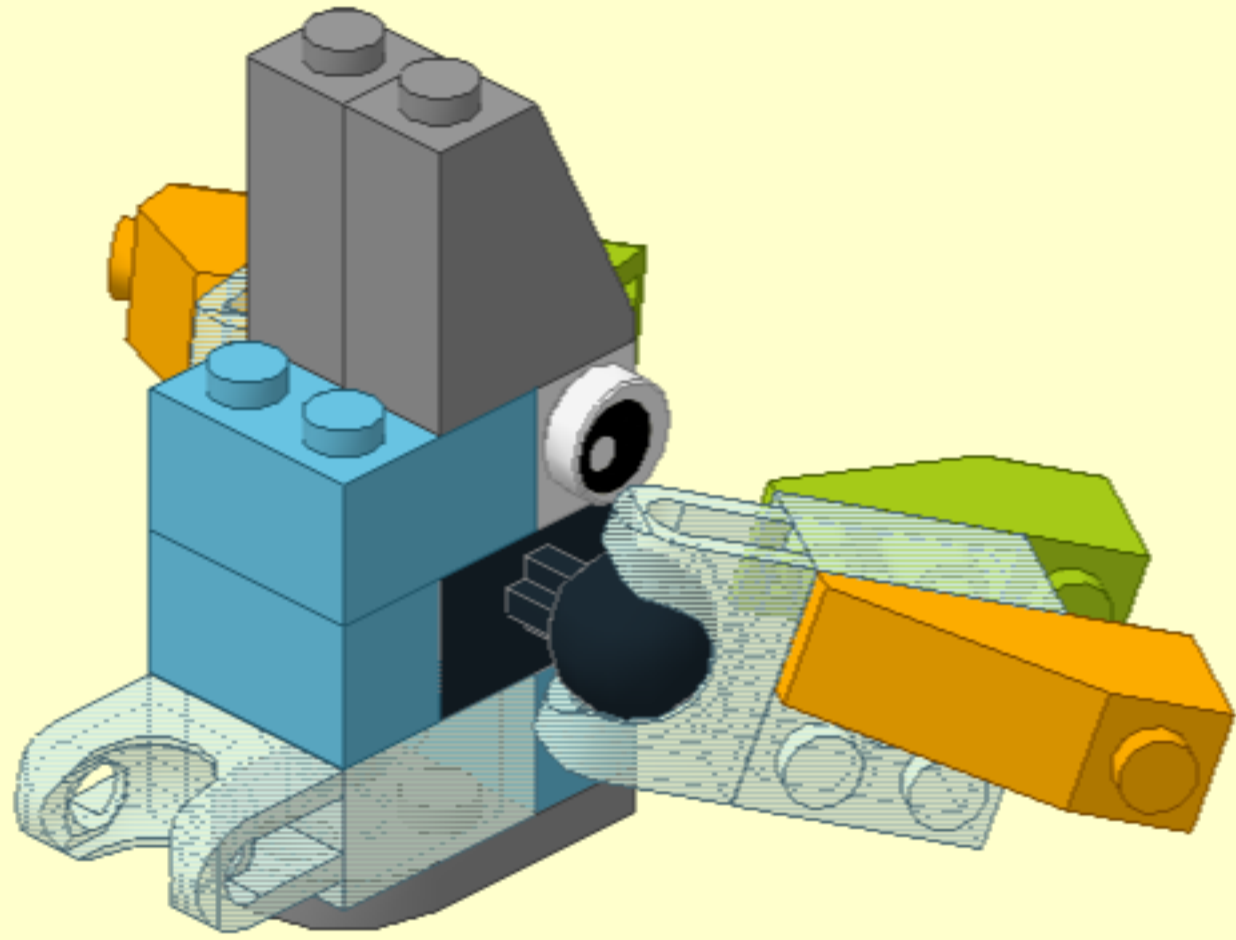
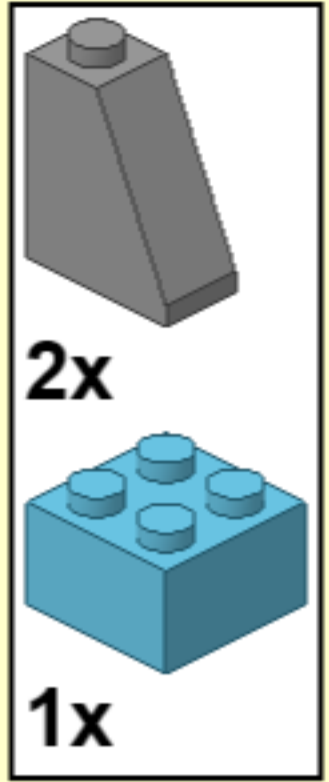


4

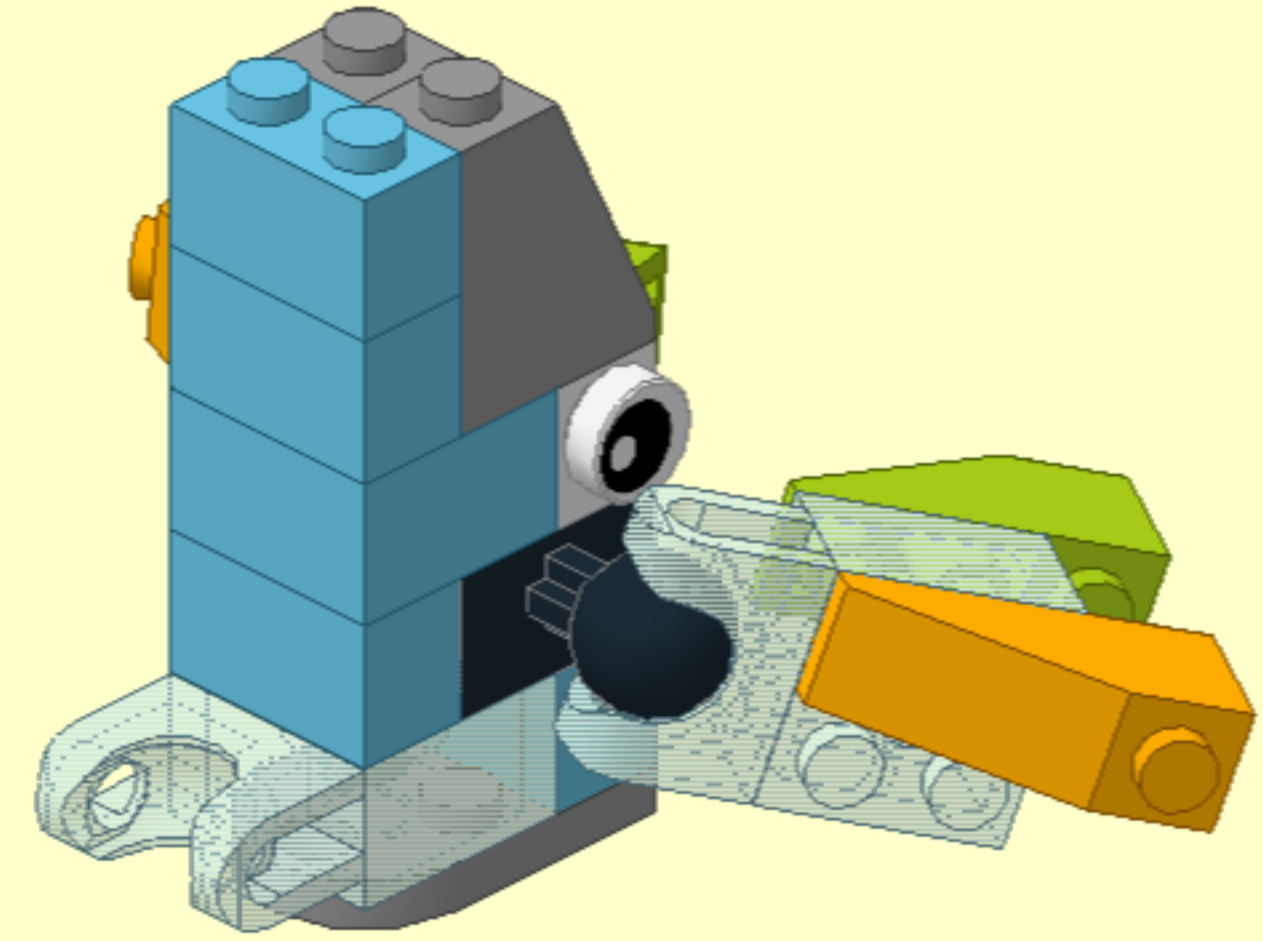
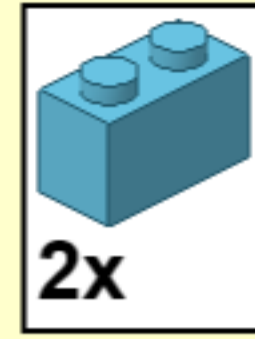
-  2x
-  2x
-  1x



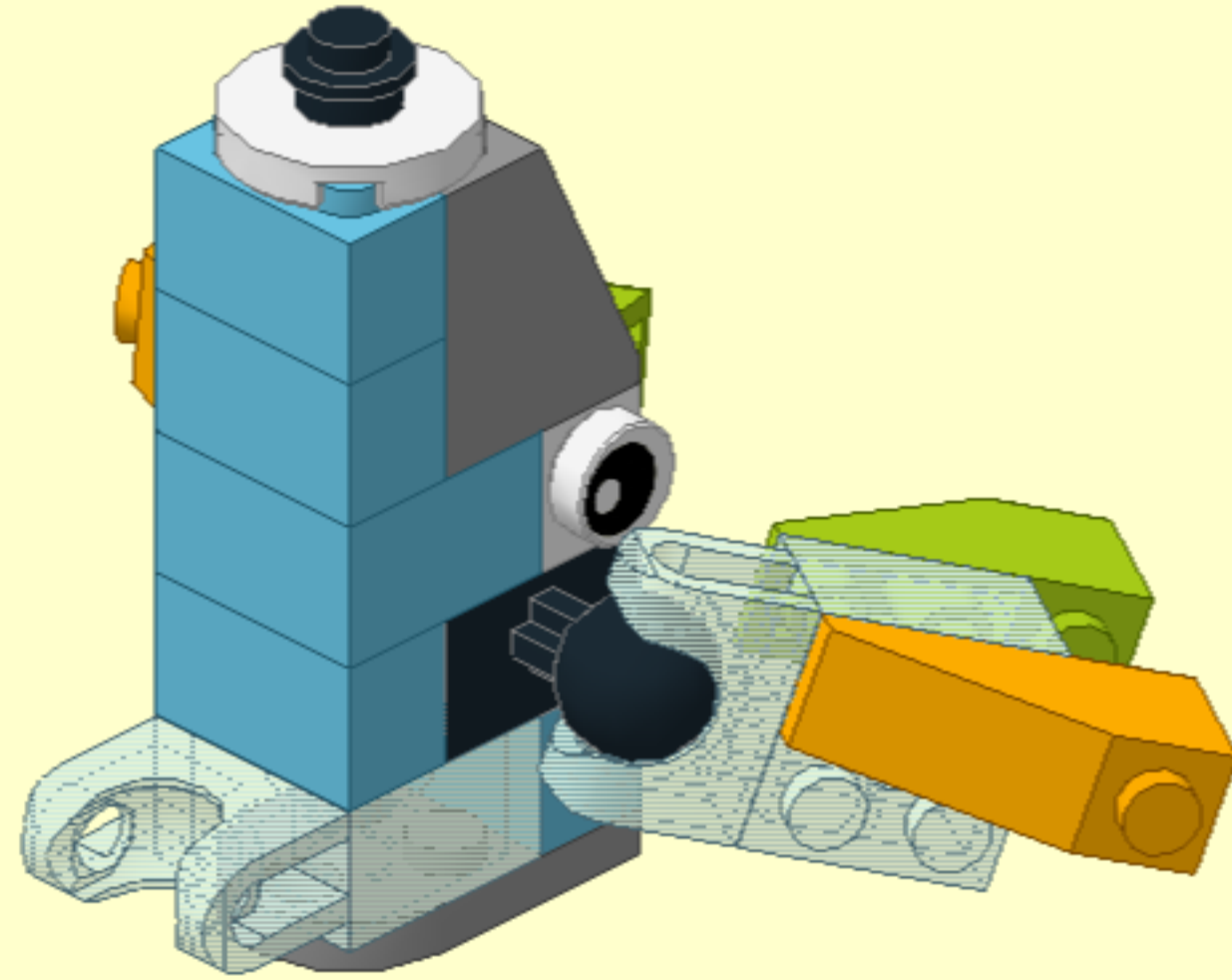
6

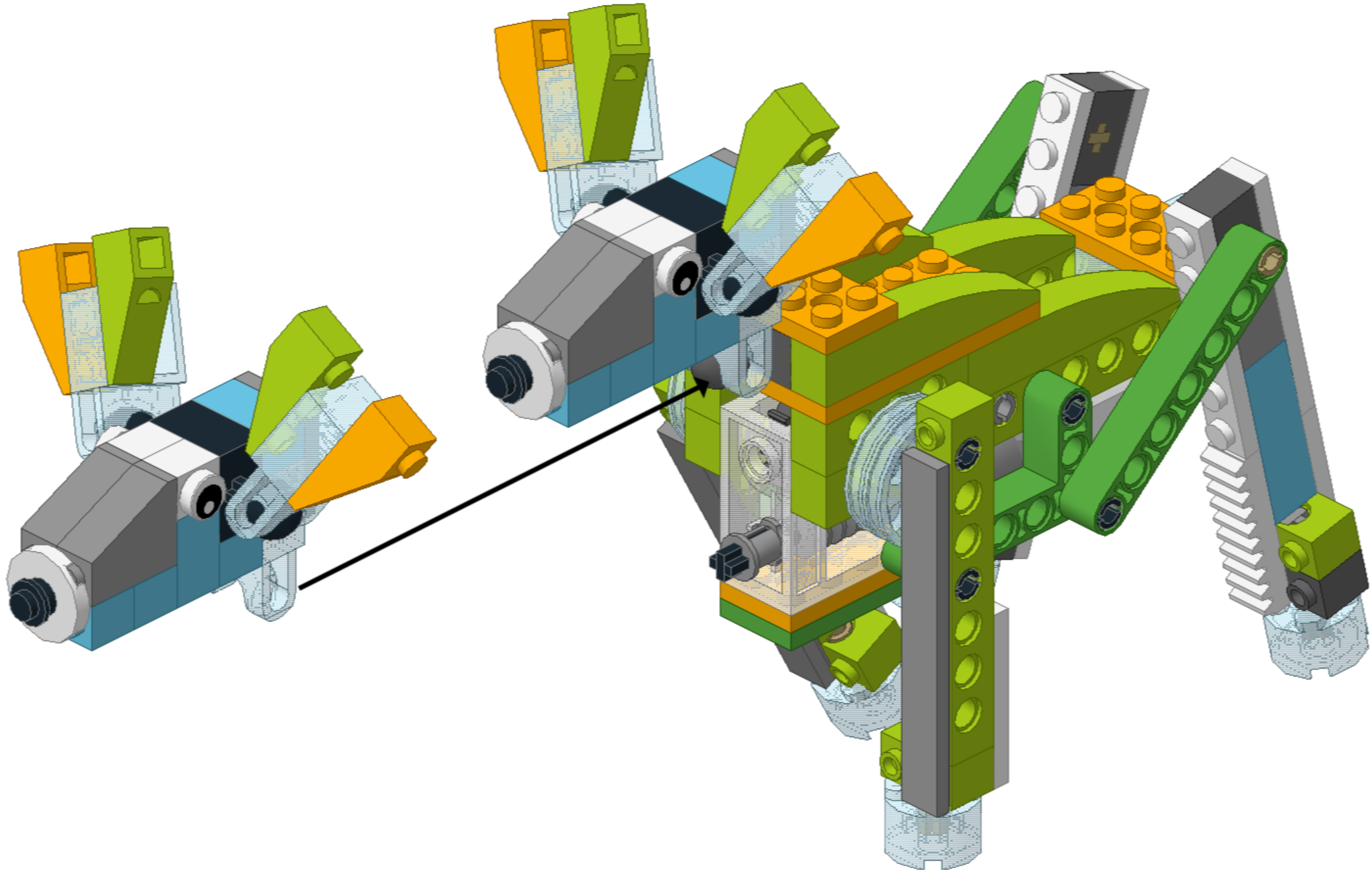


7

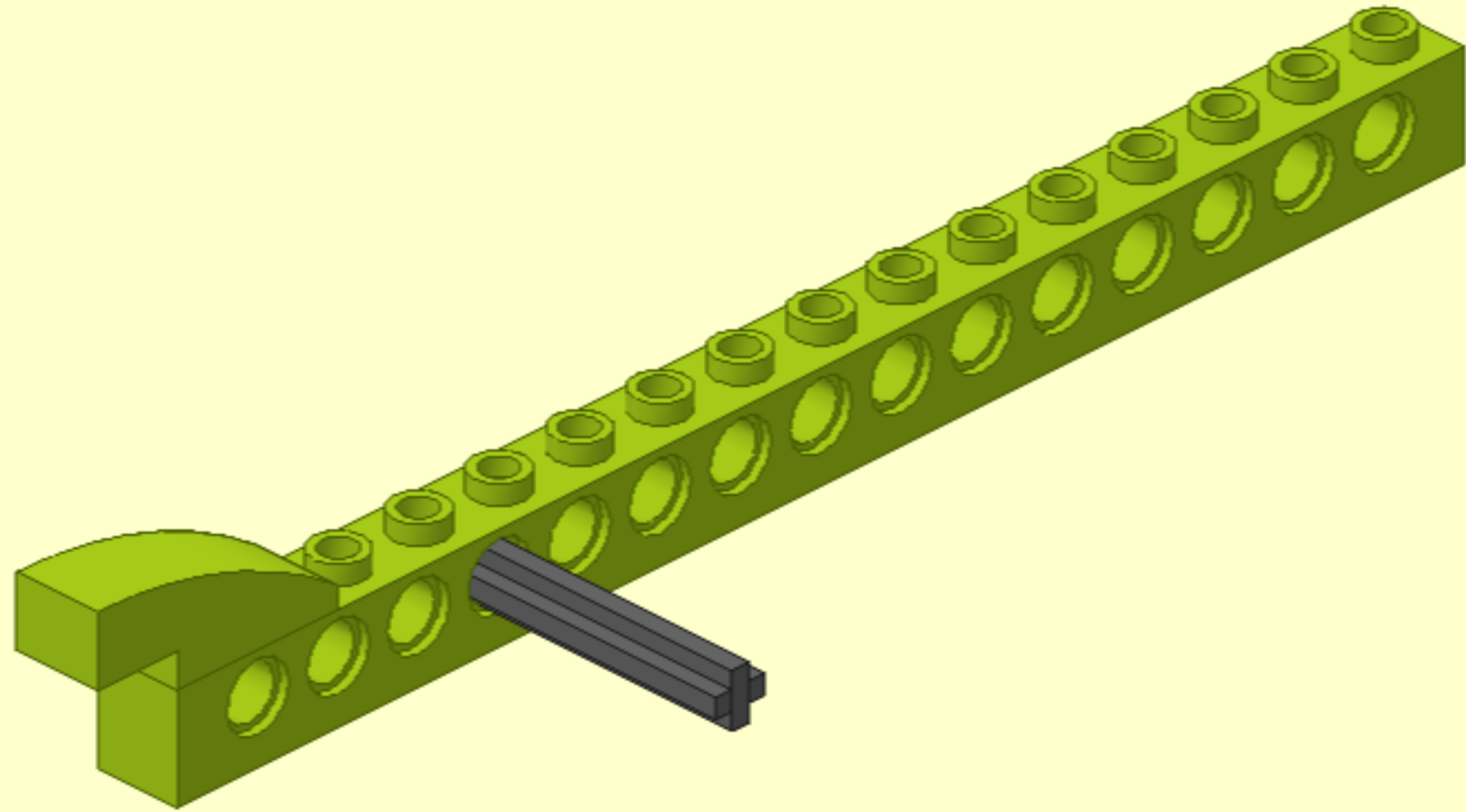
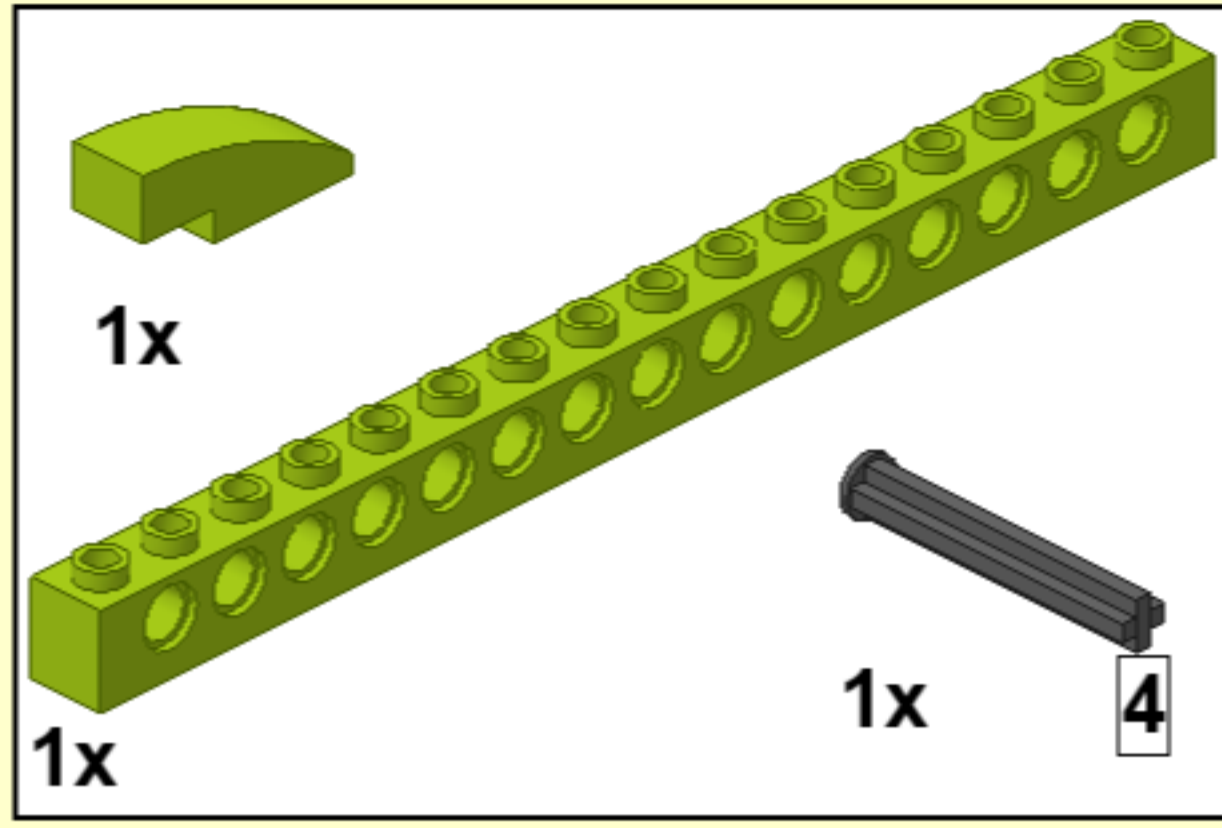


8

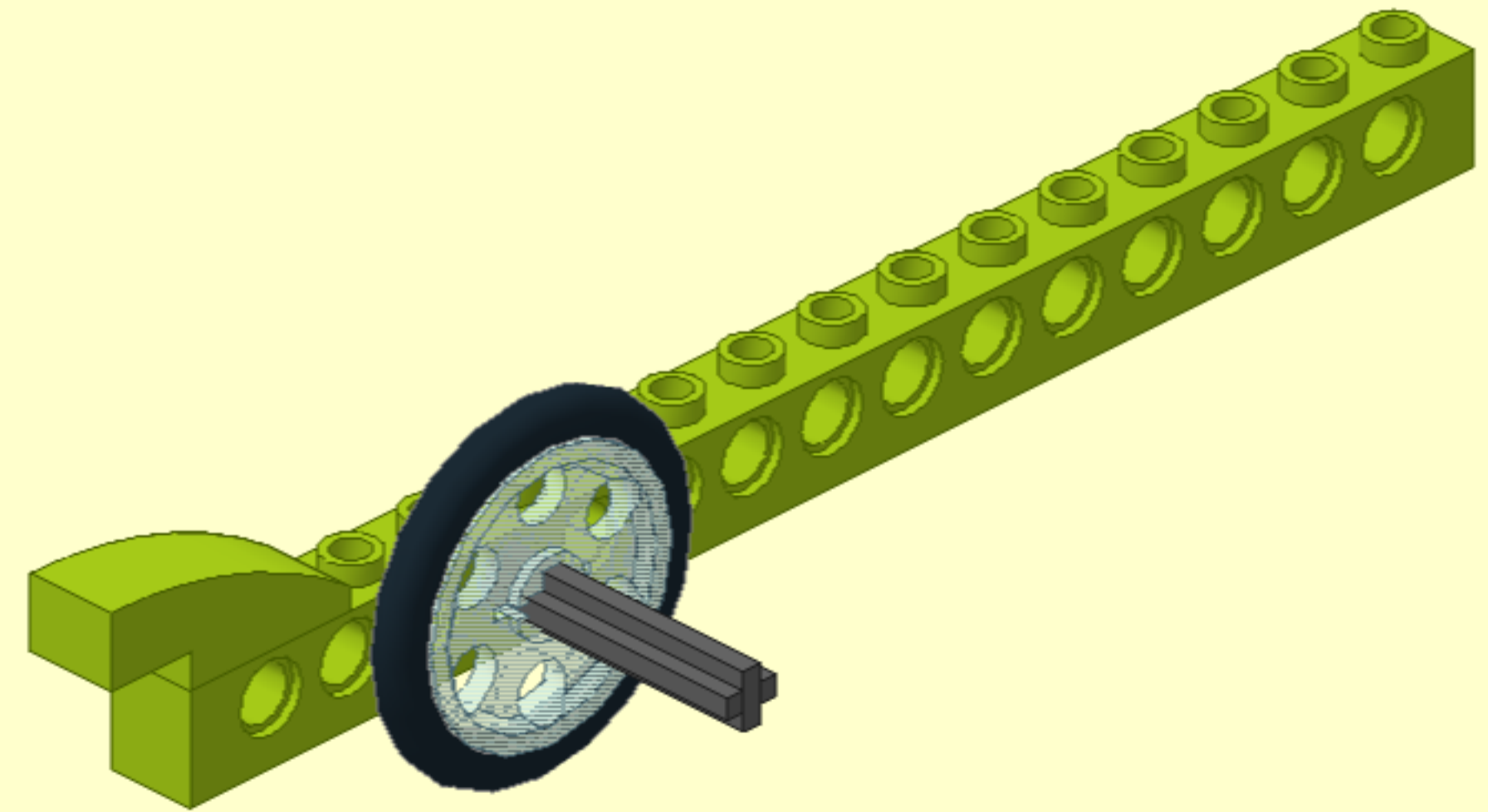
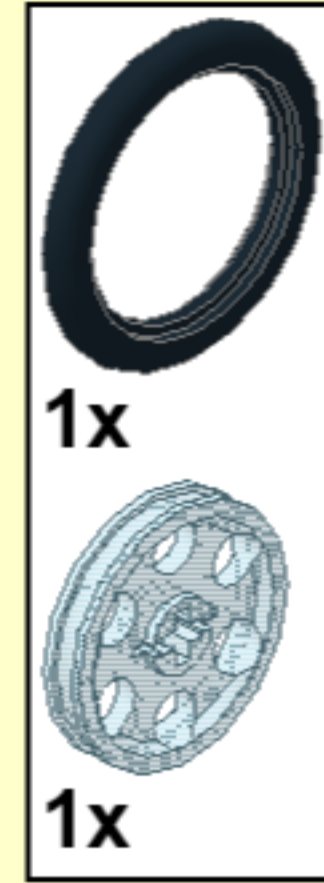




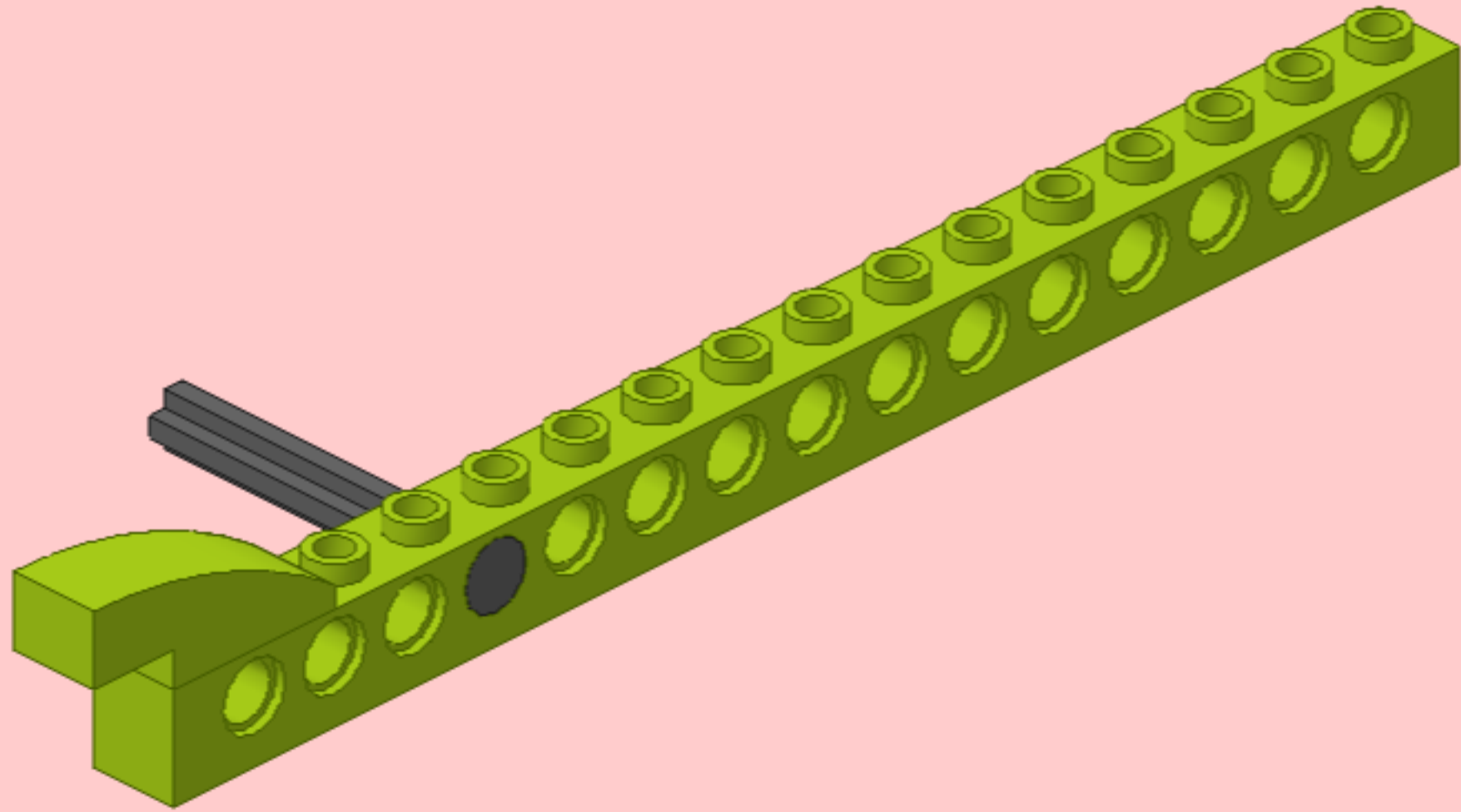
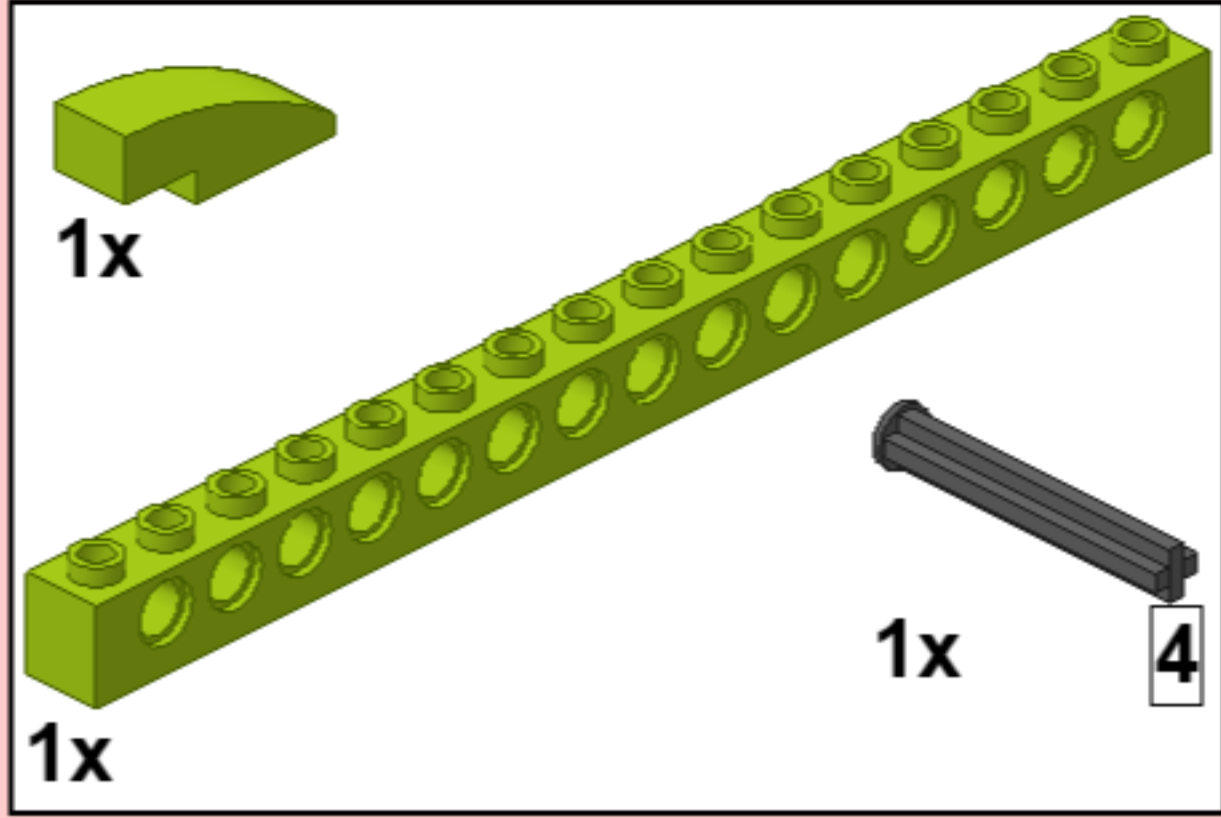
1



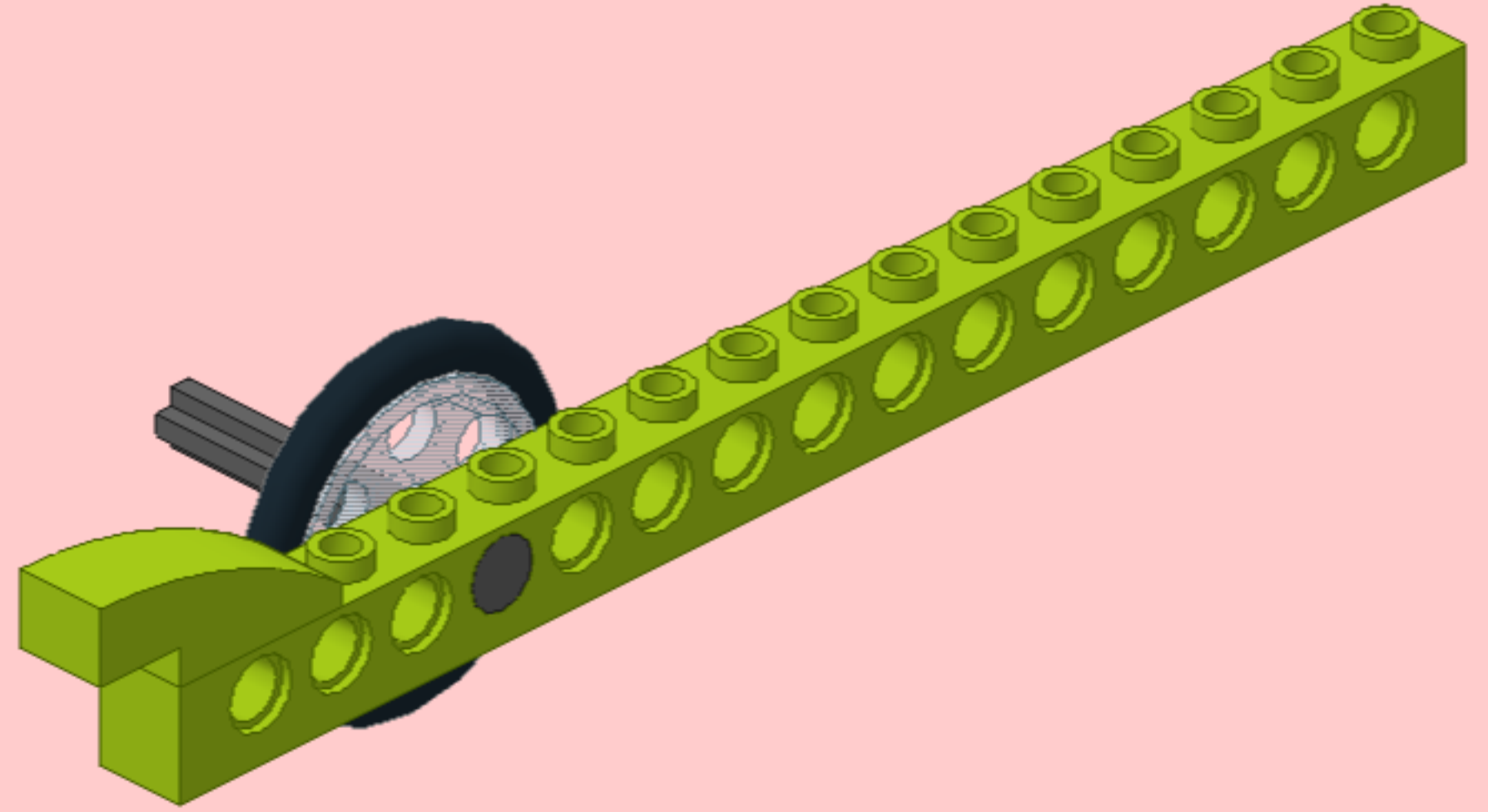
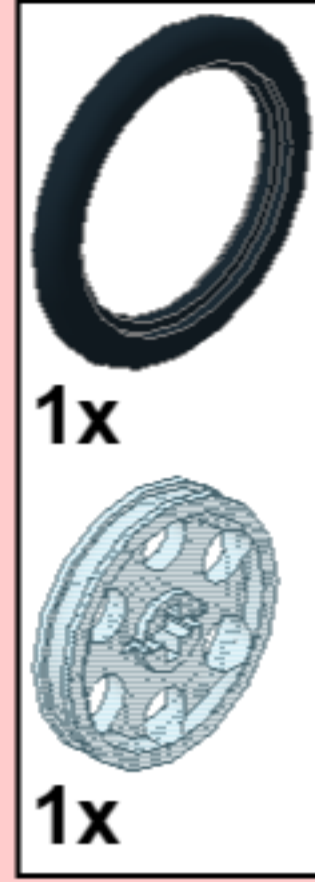
2



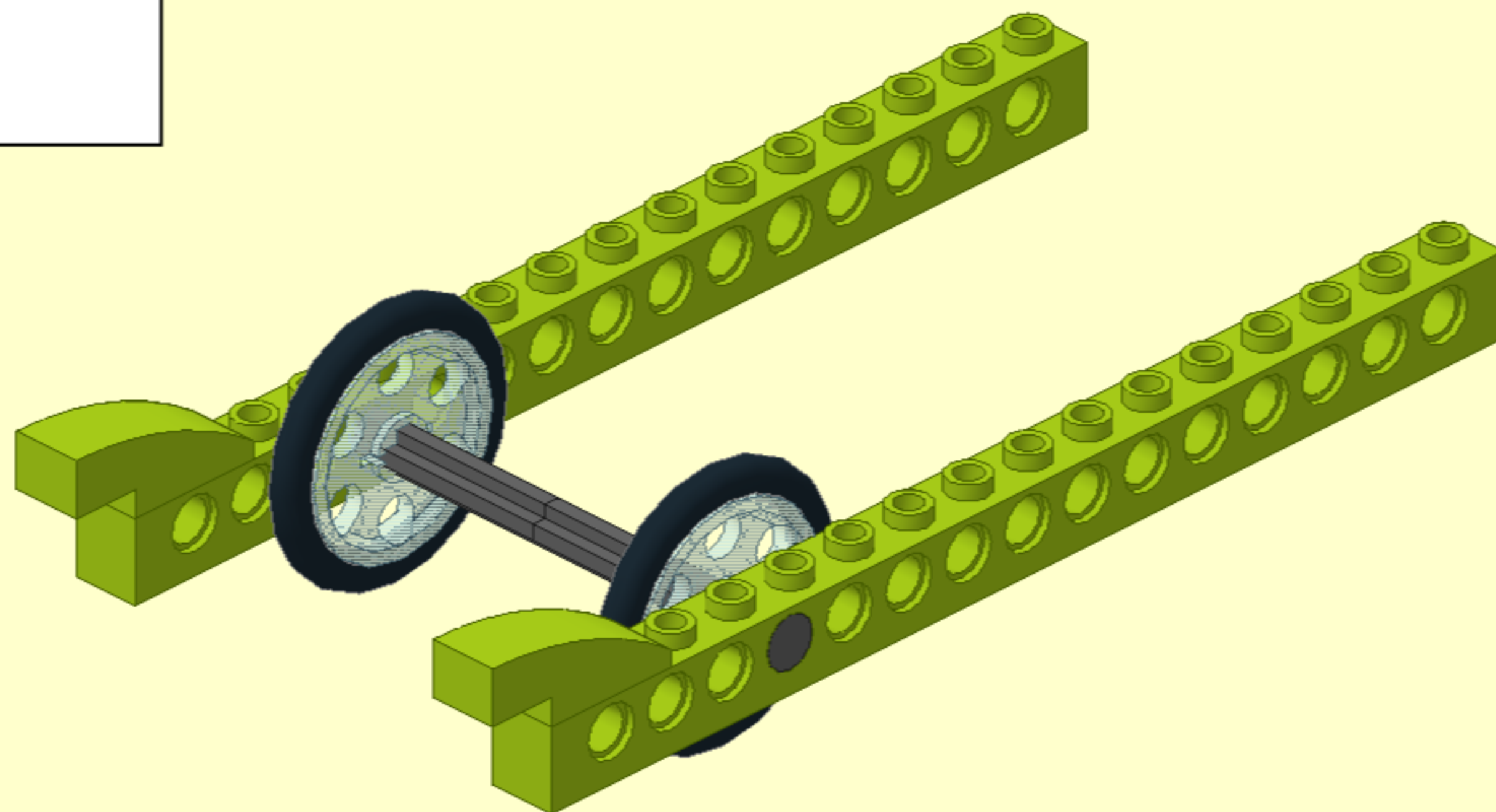
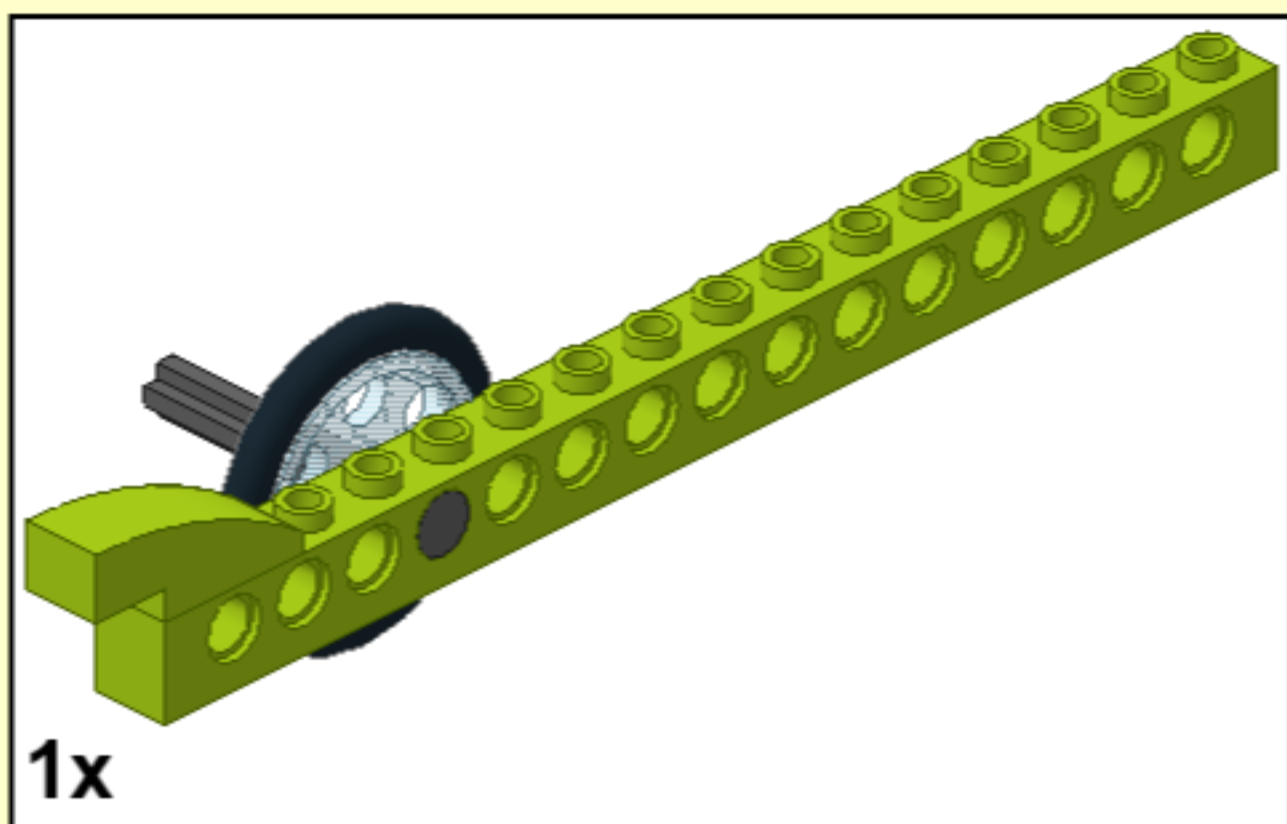
1



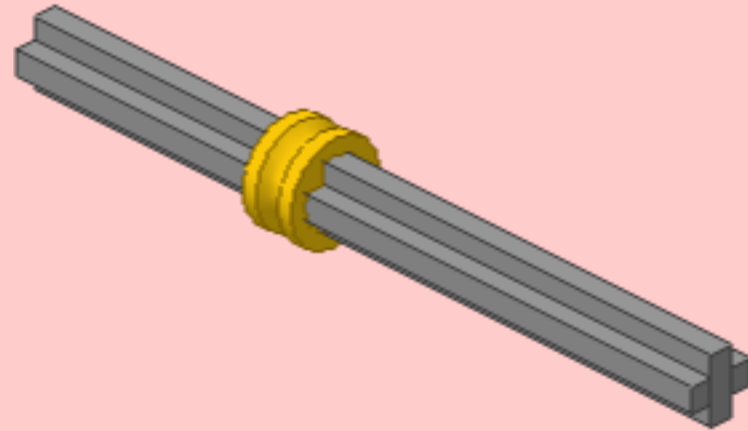
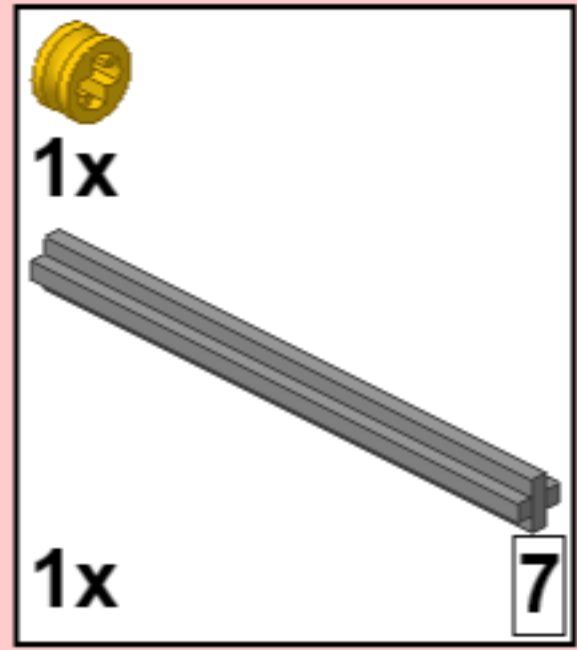
2



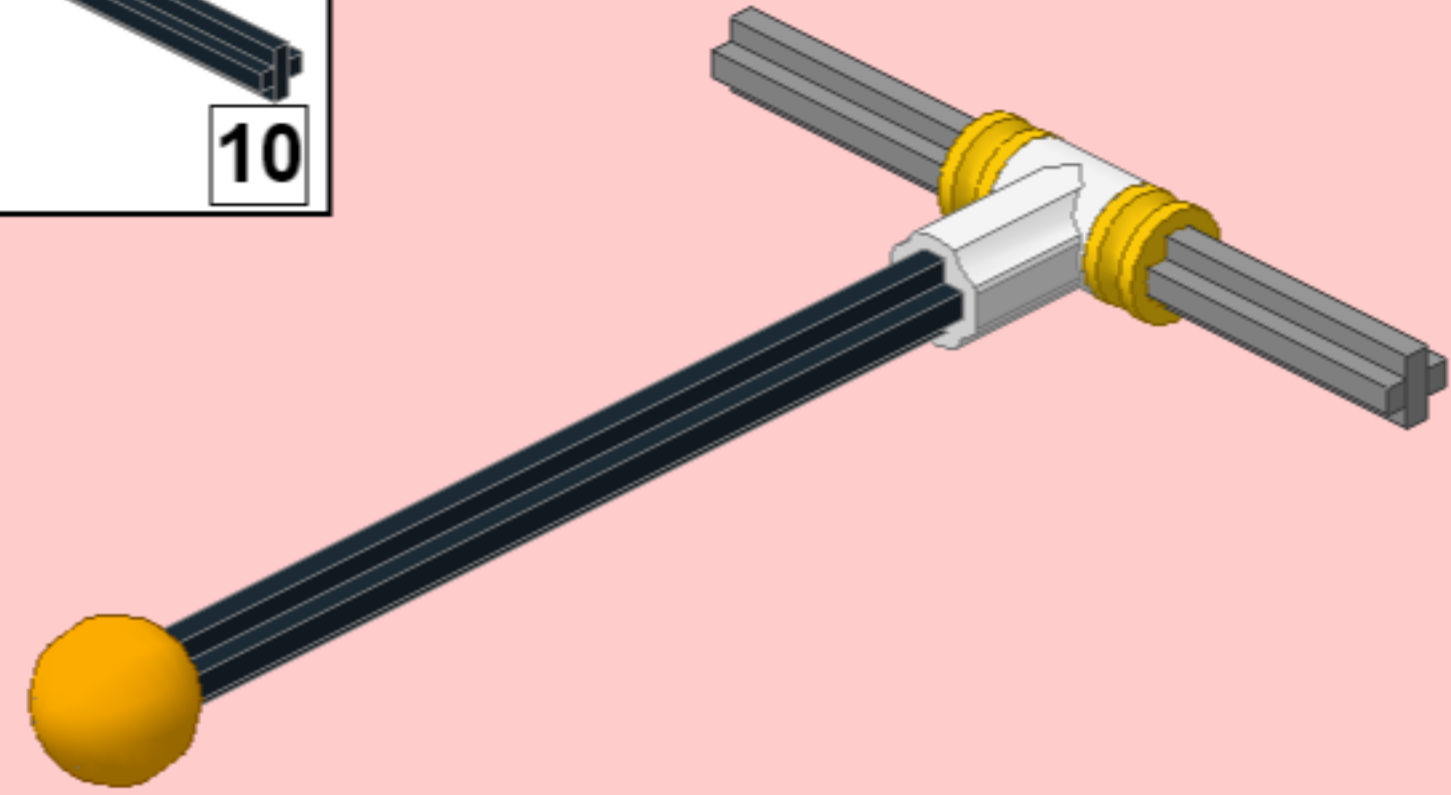
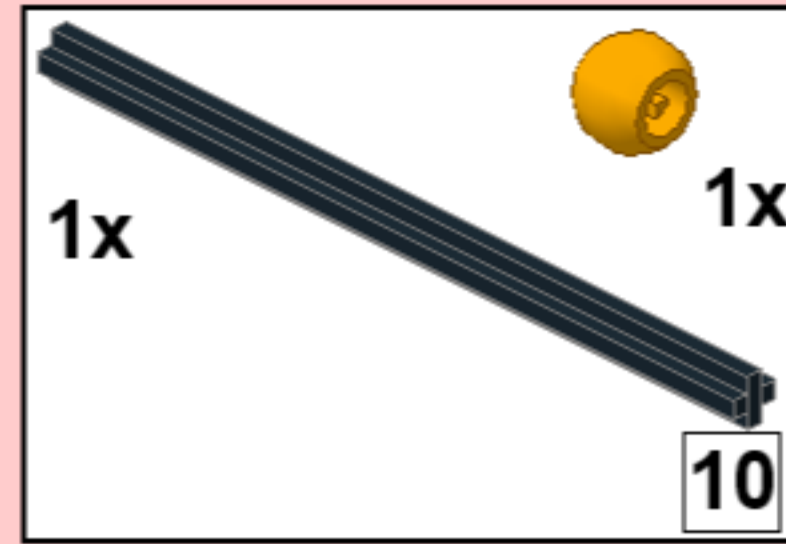
3



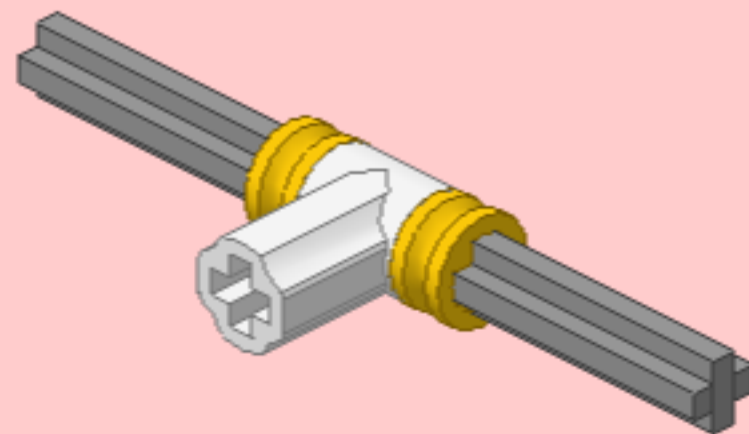
1



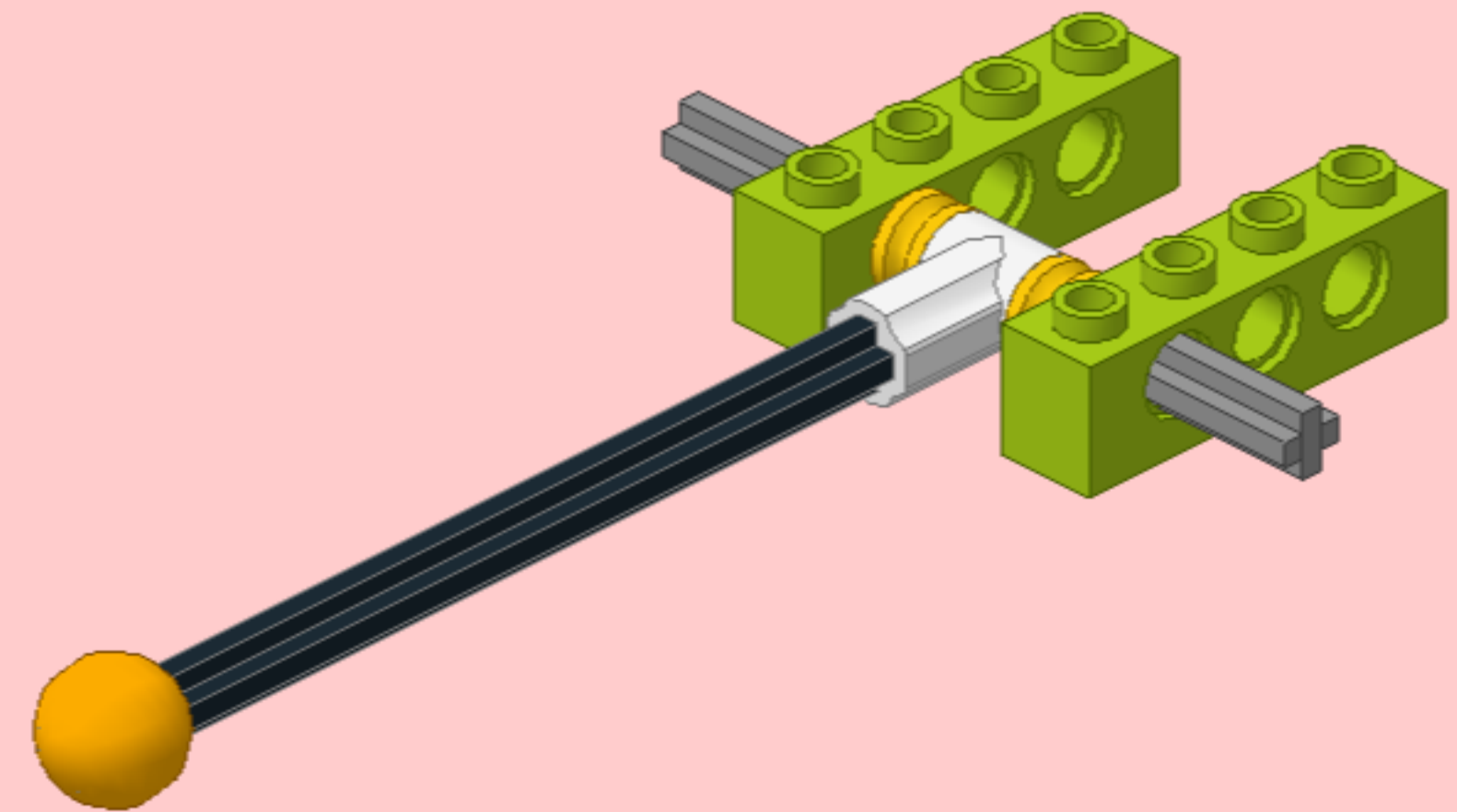
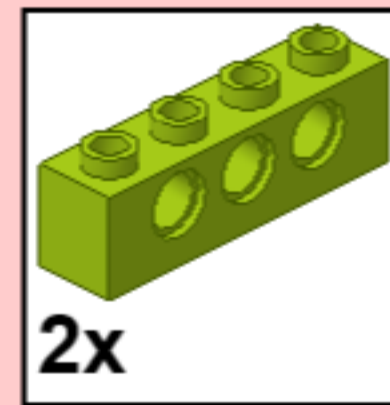
3



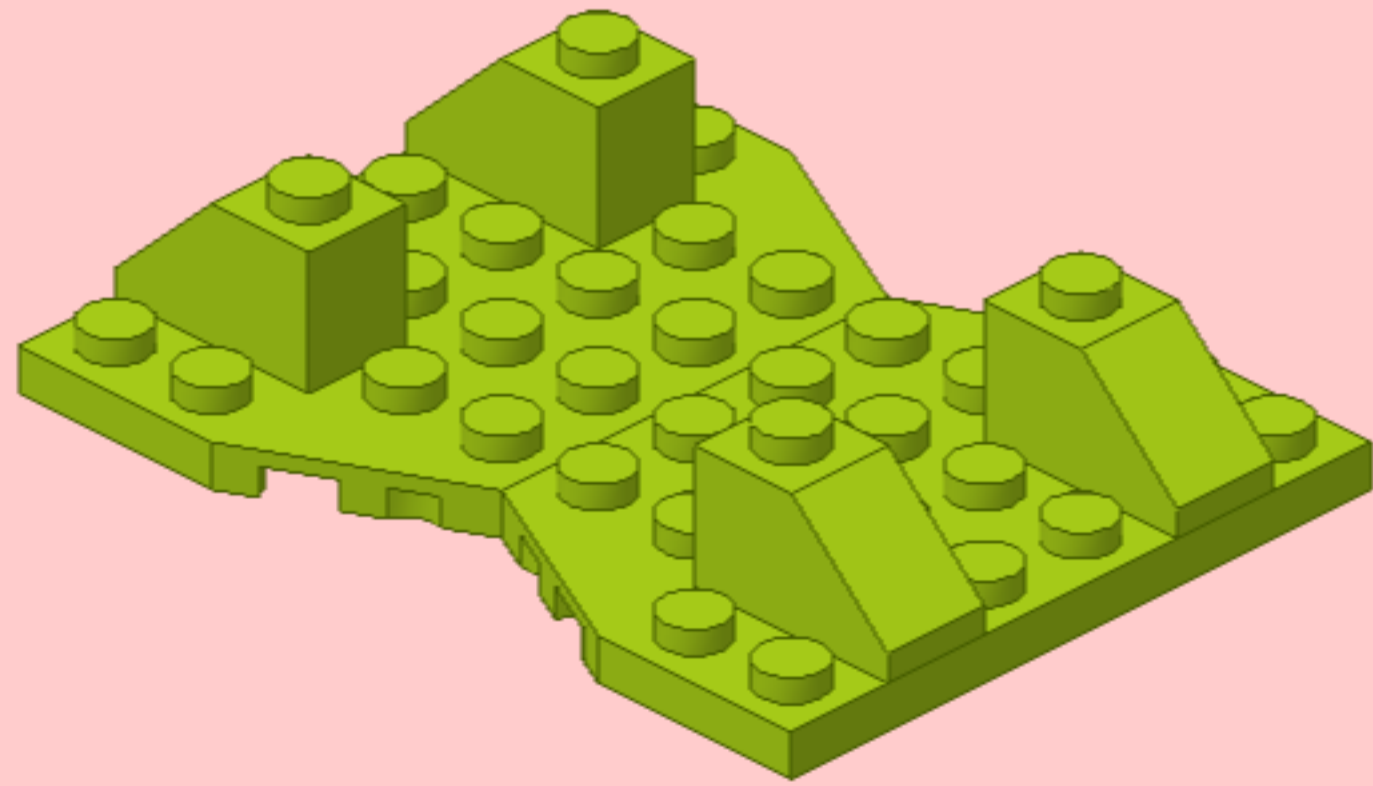
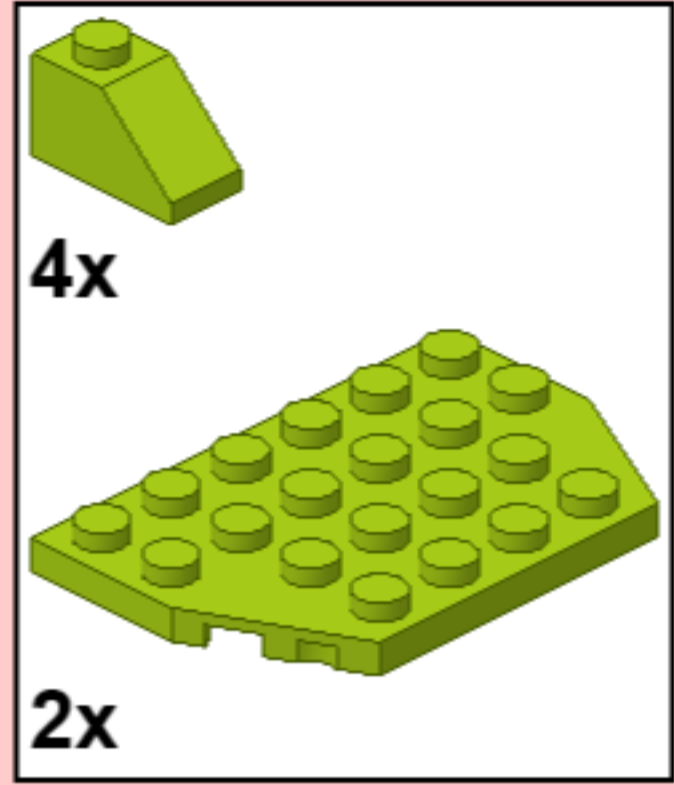
2



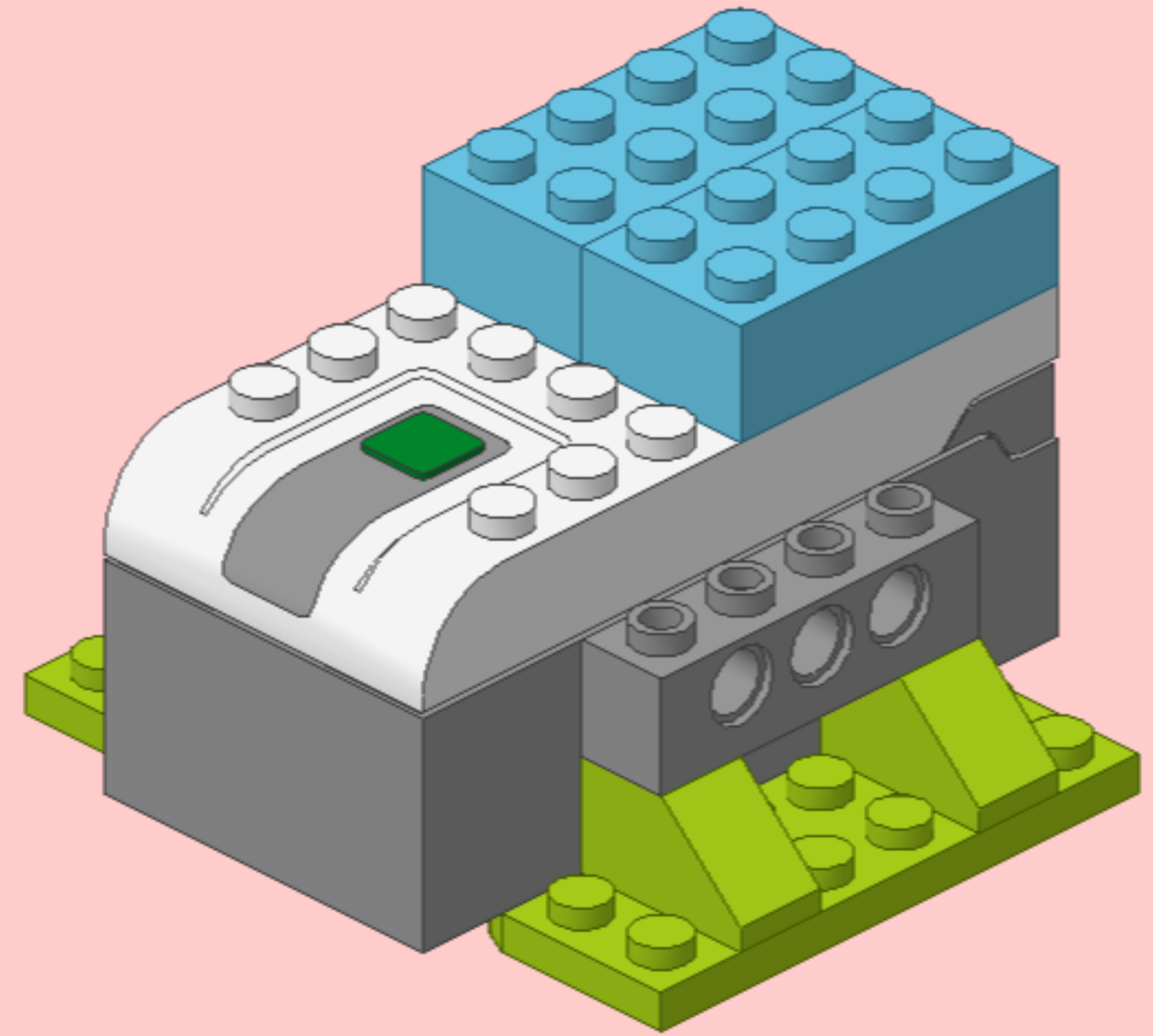
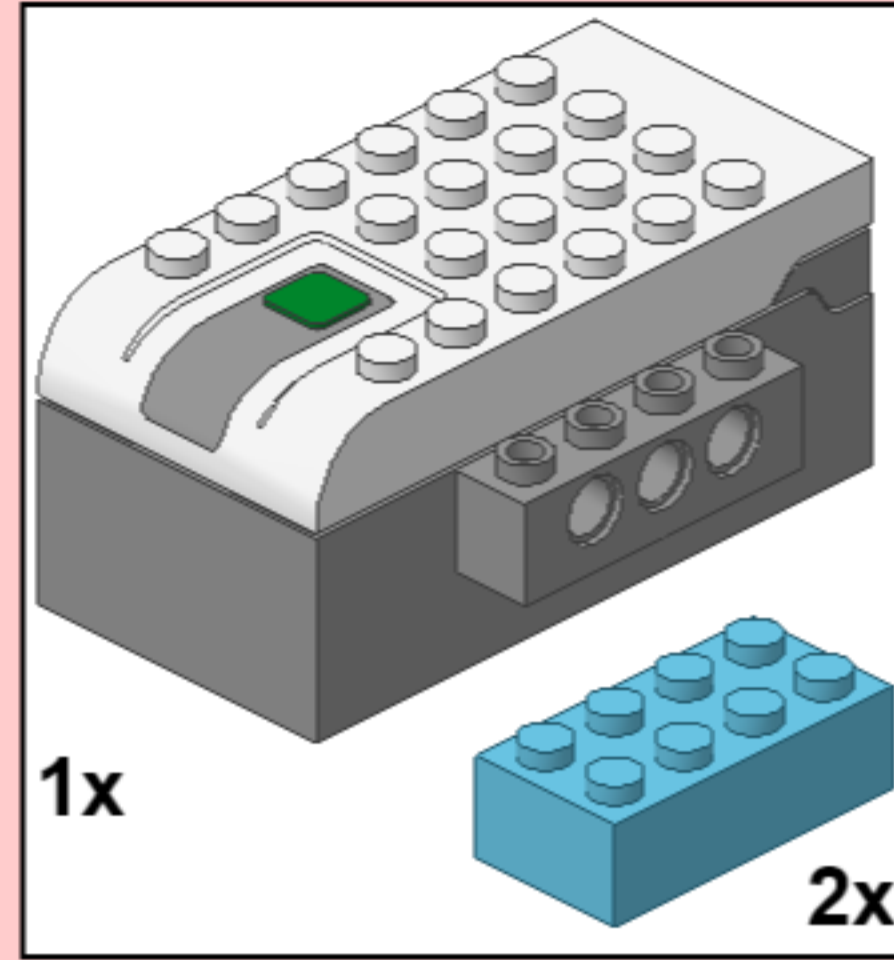
4



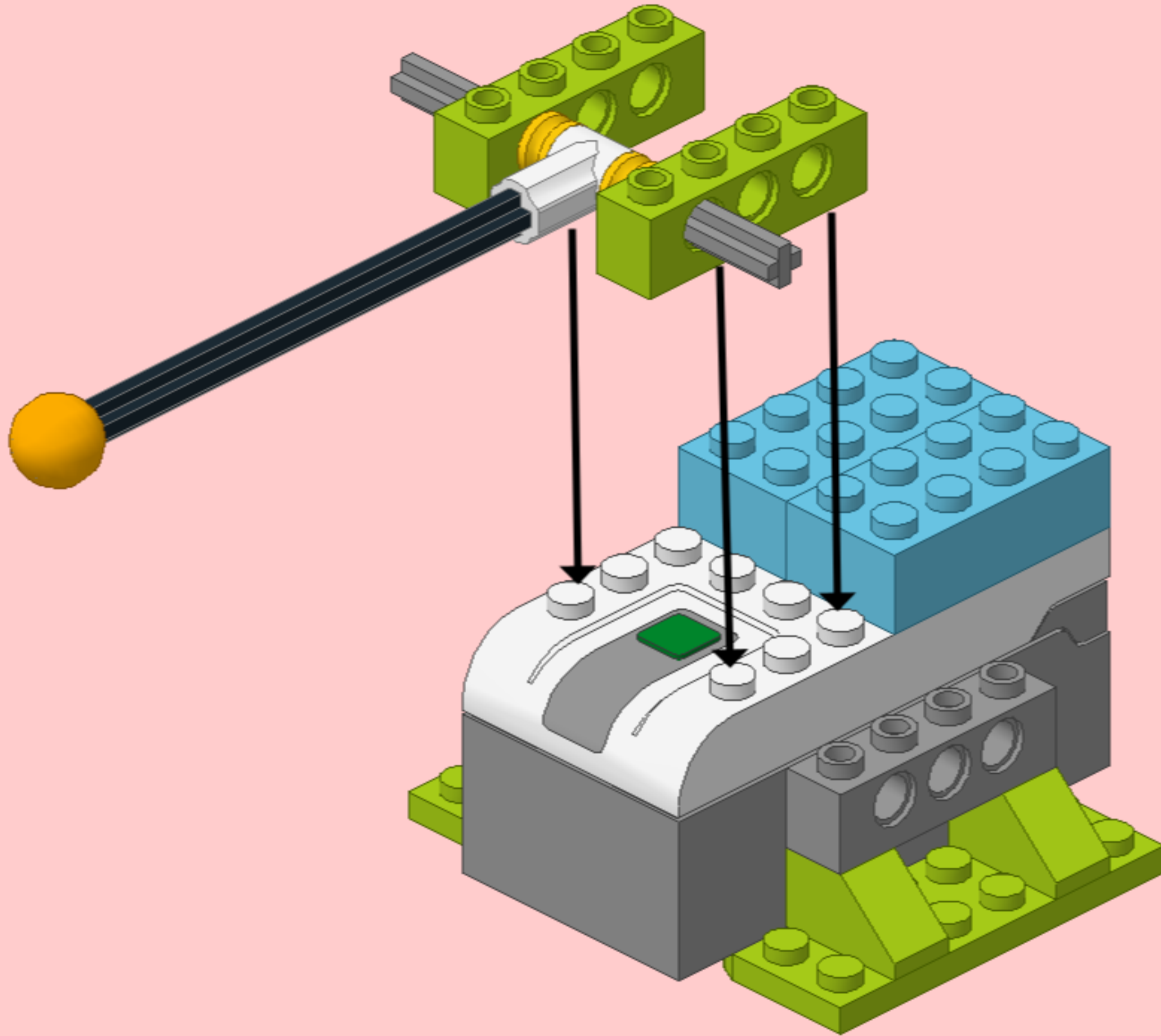
1



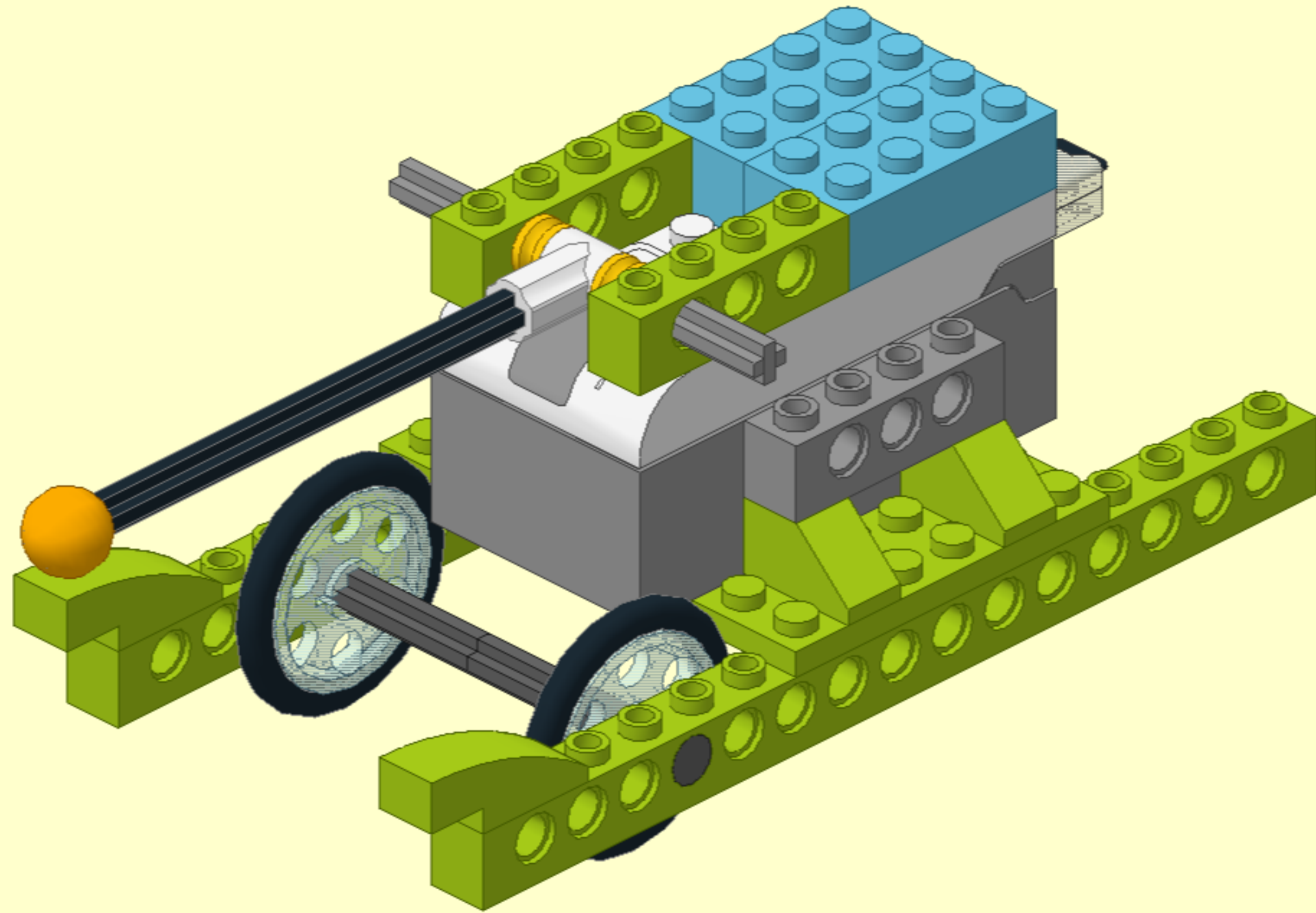
2



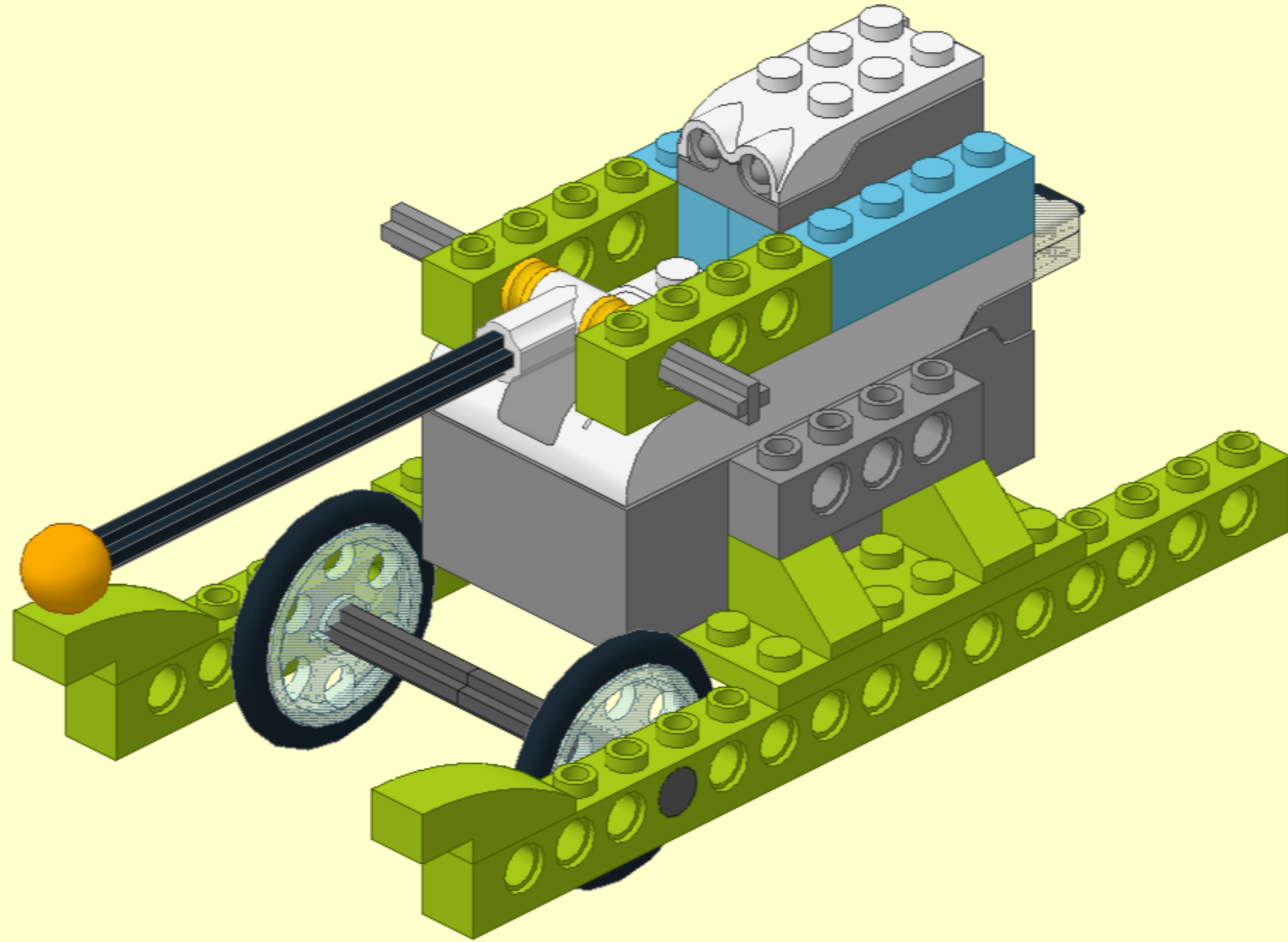
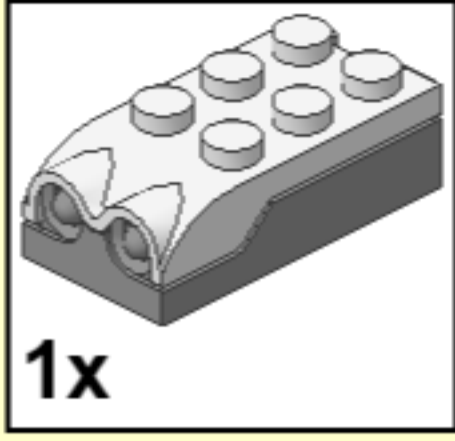
3



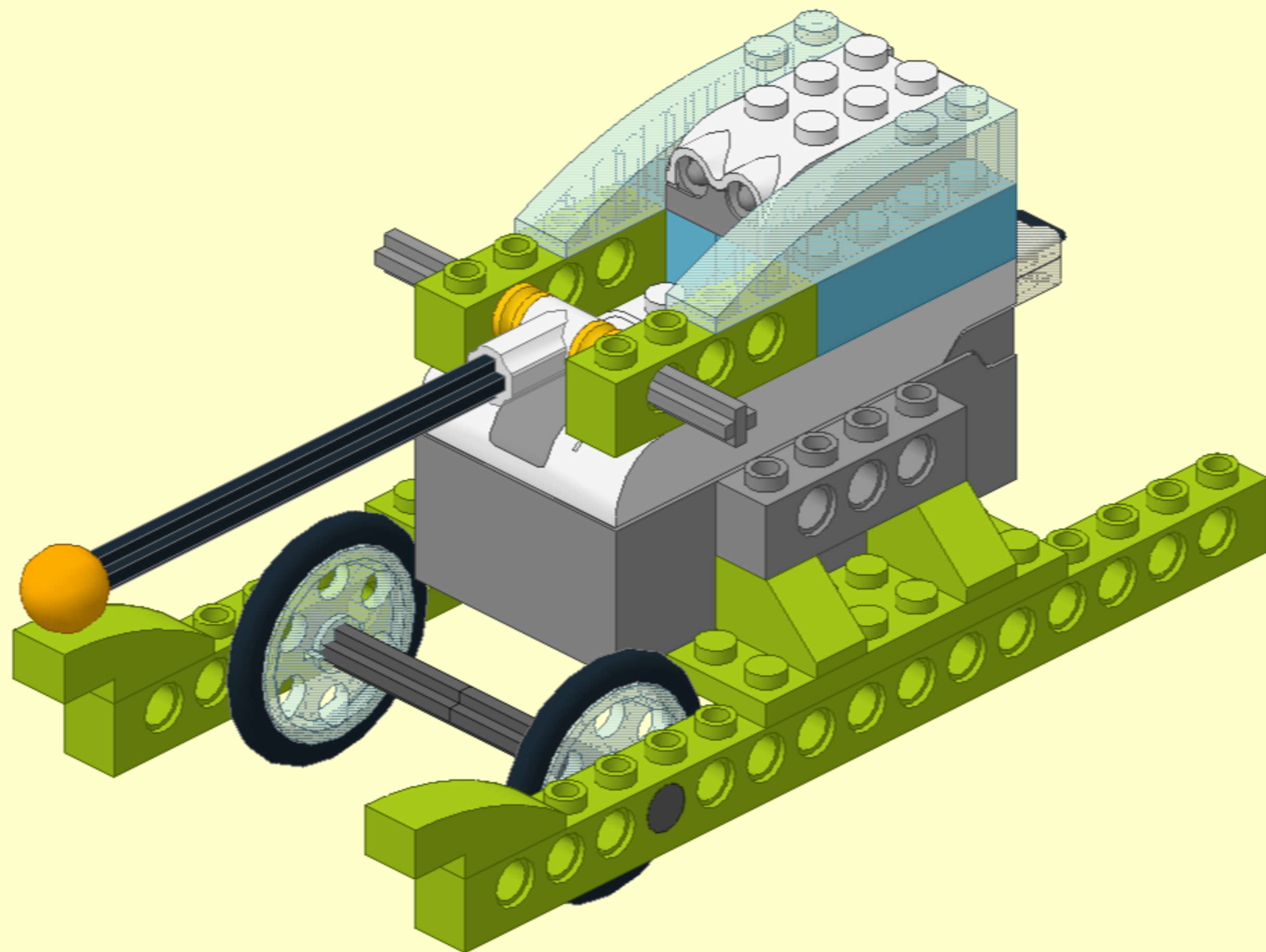
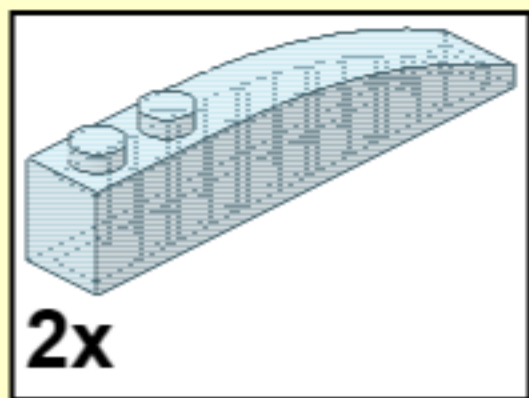
4



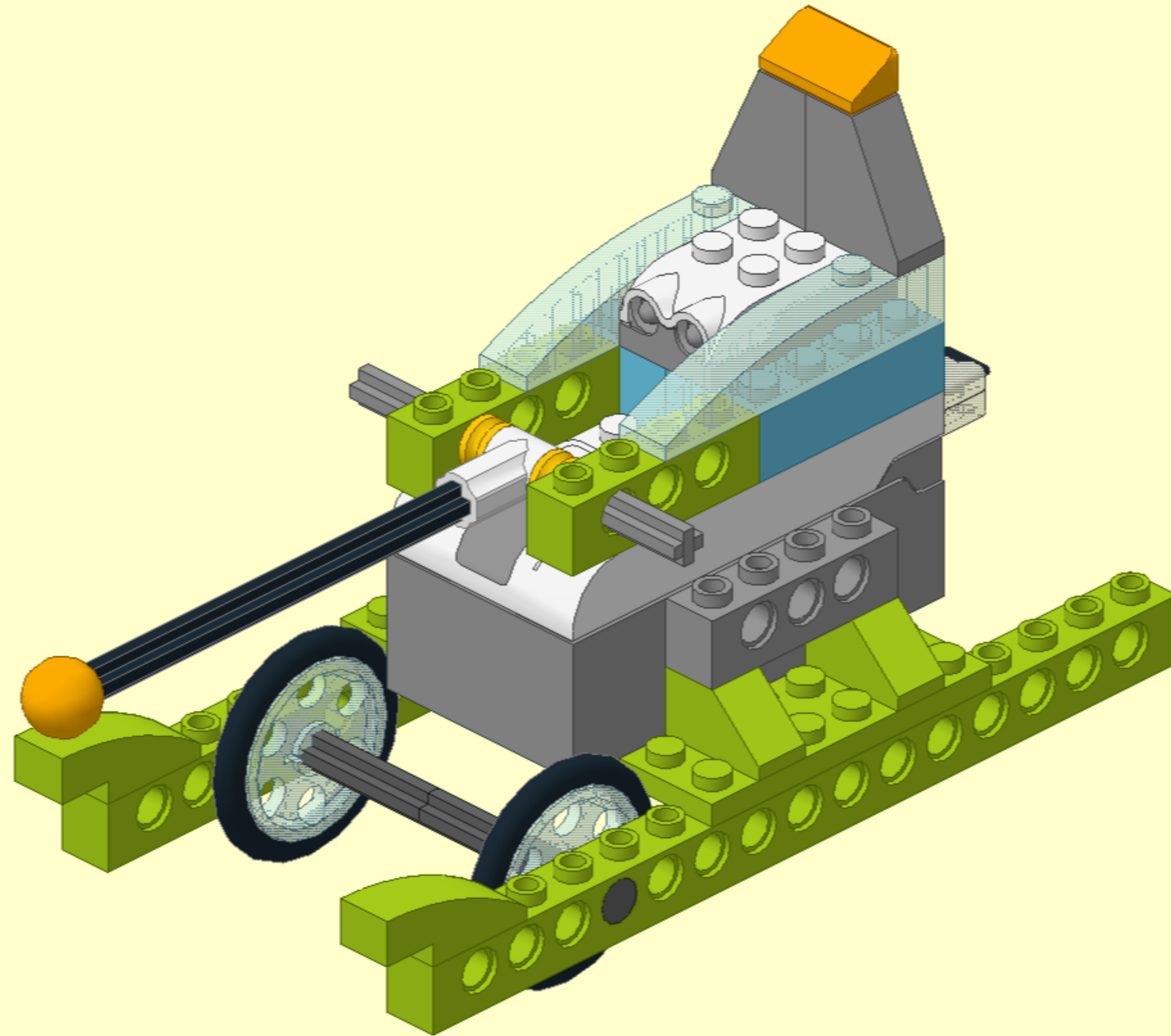
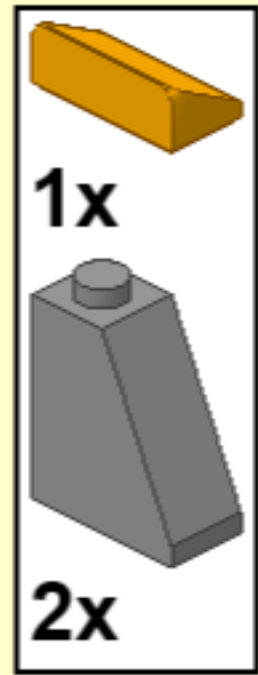
5



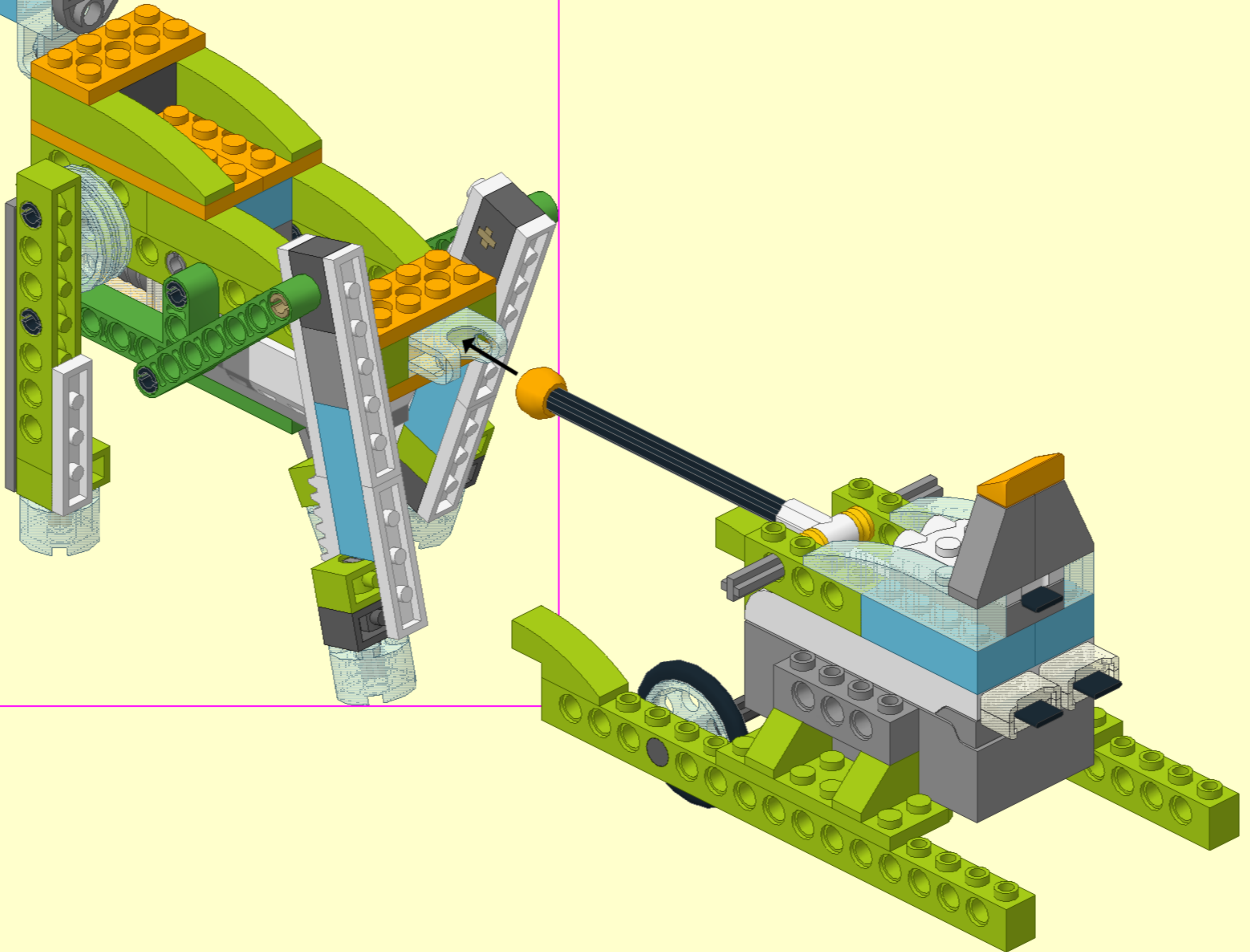
6



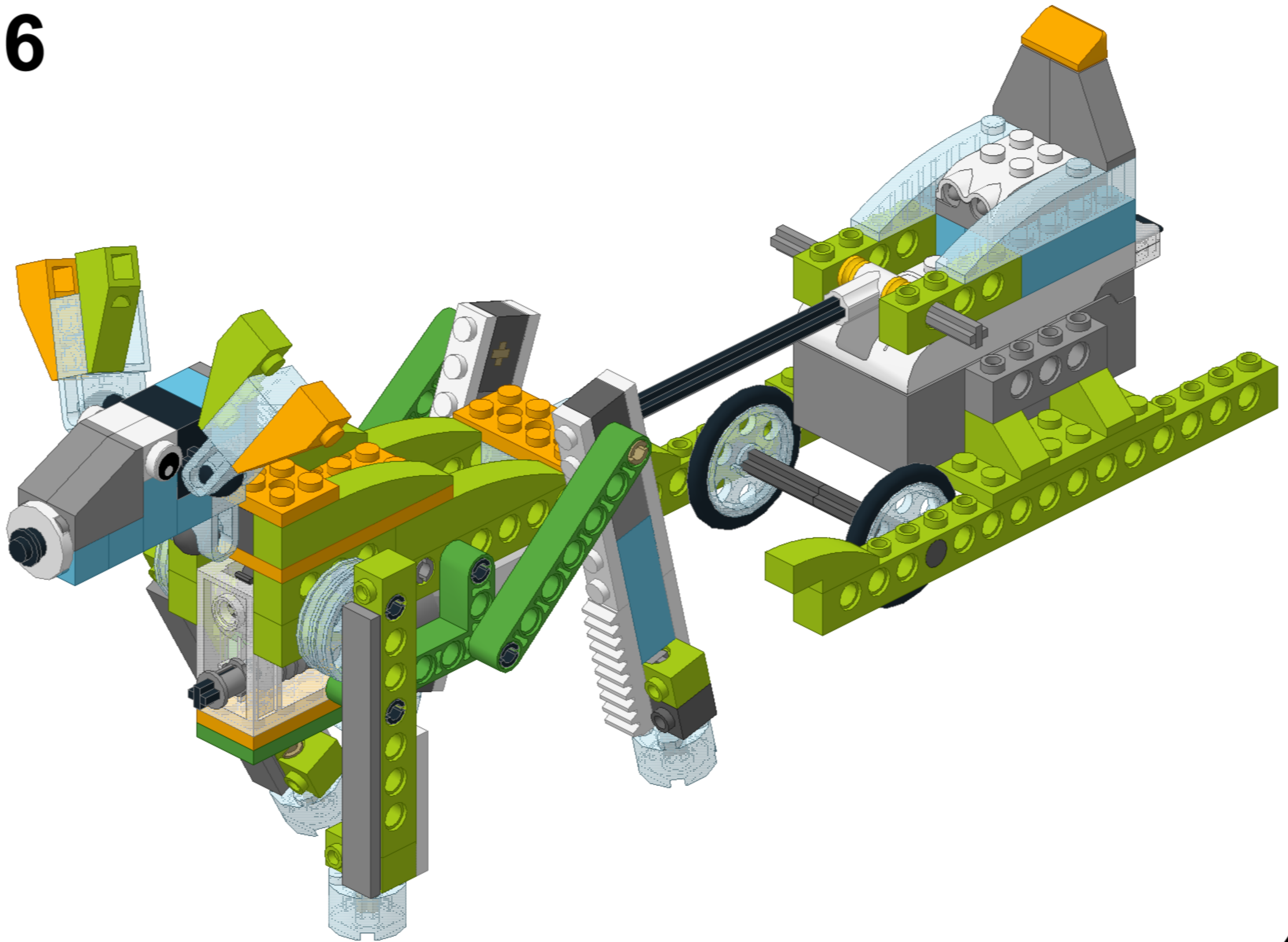
7



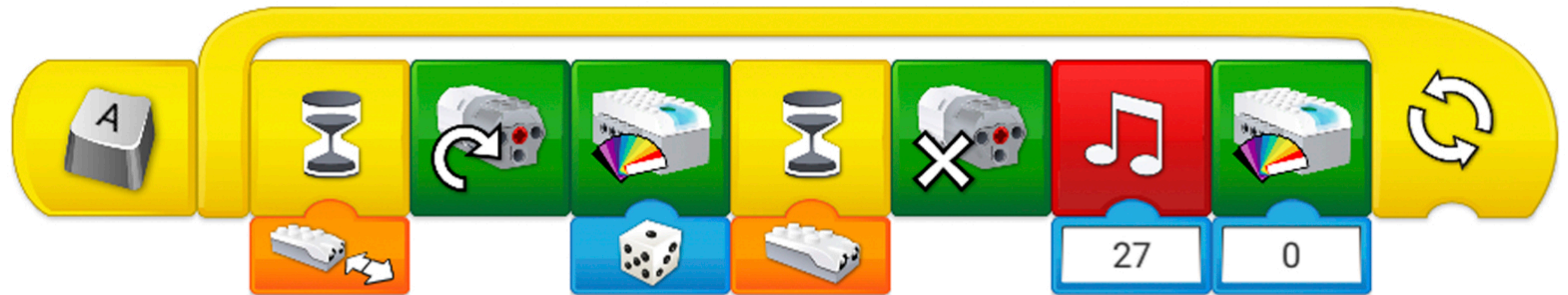
8



16



PROGRAM IT AND HAVE A FUN!



WEDo 2.0 RUDOLPH CHRISTMAS PROJECT

INSTRUCTION BY UDILOV DANIIL ©

