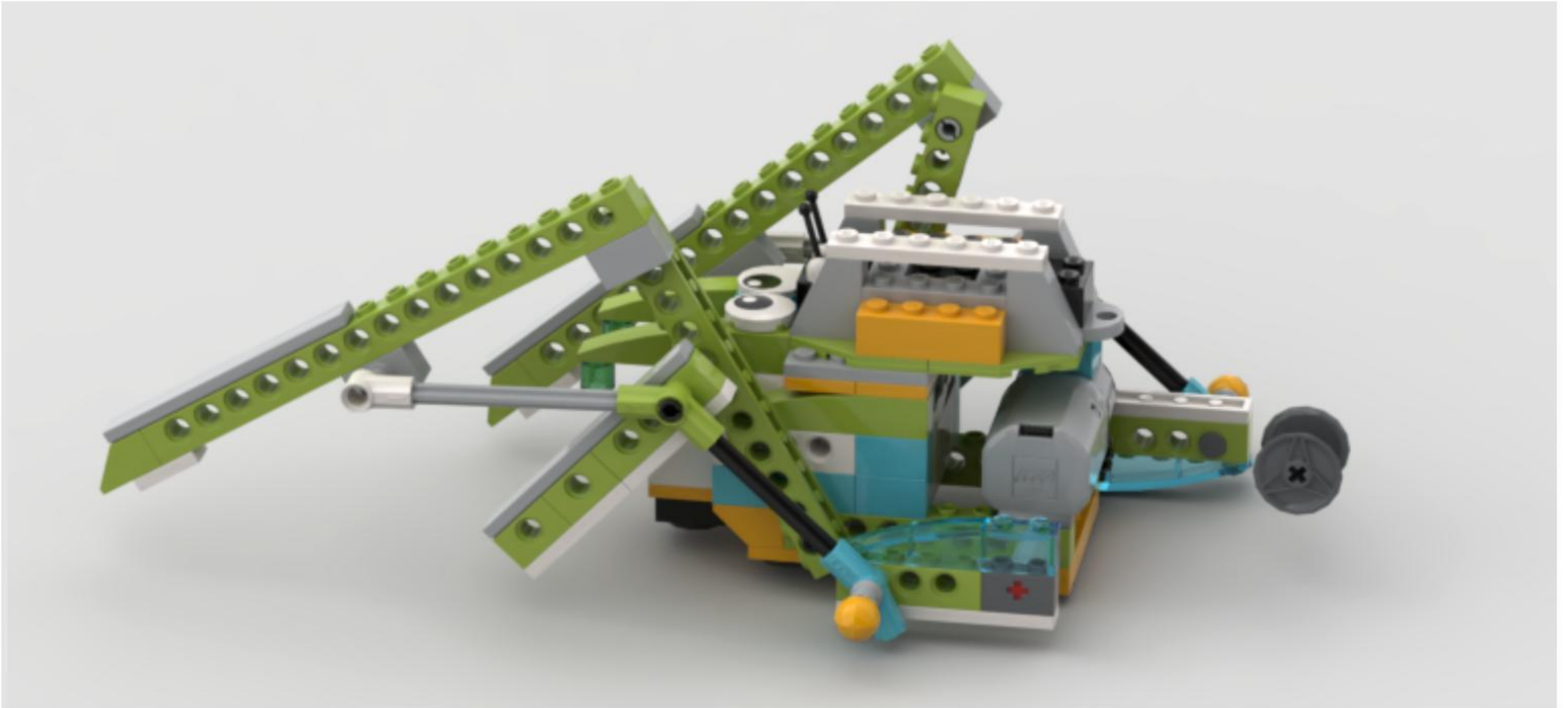
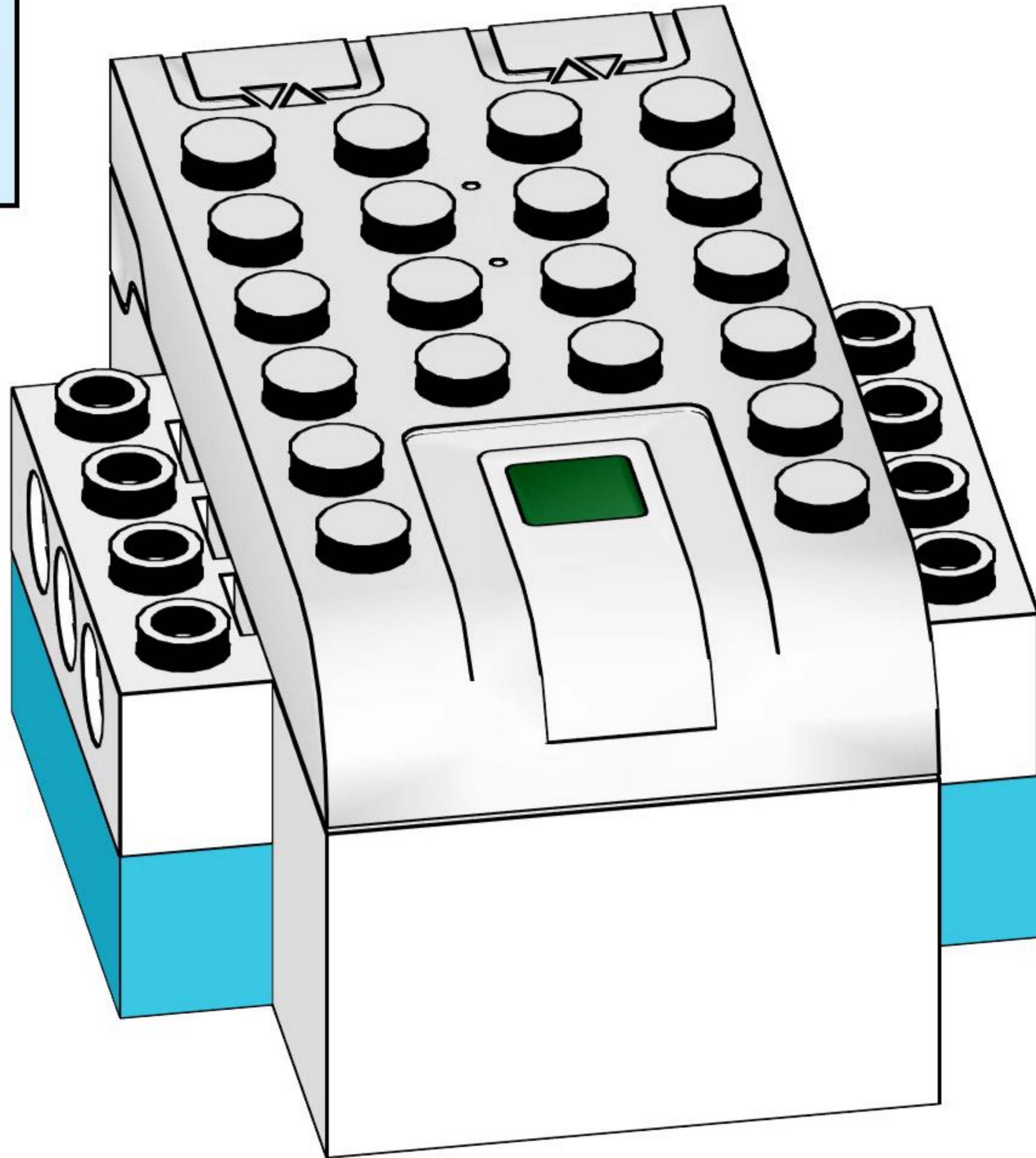
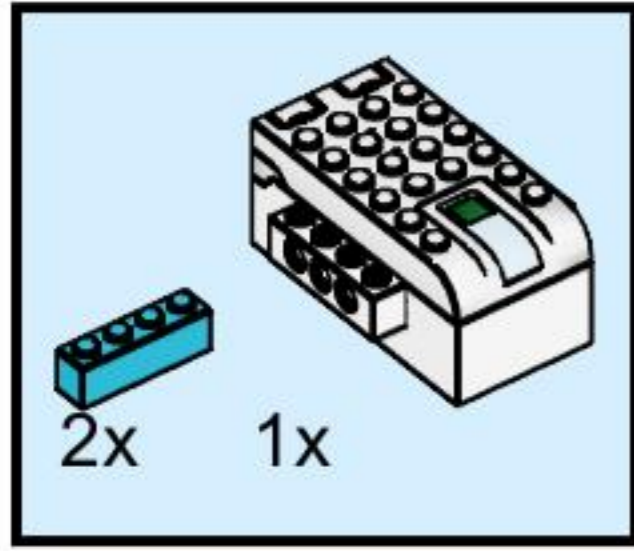


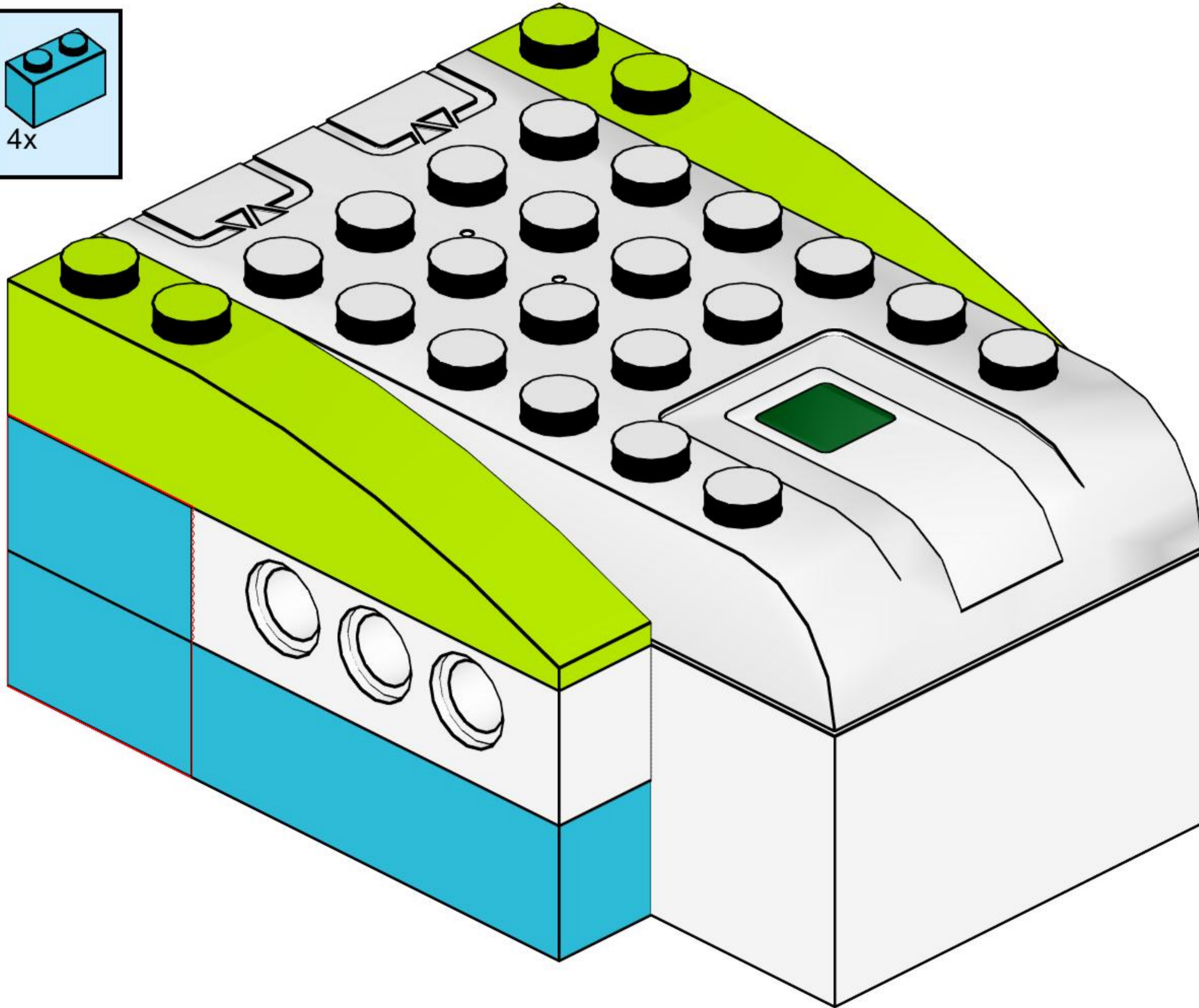
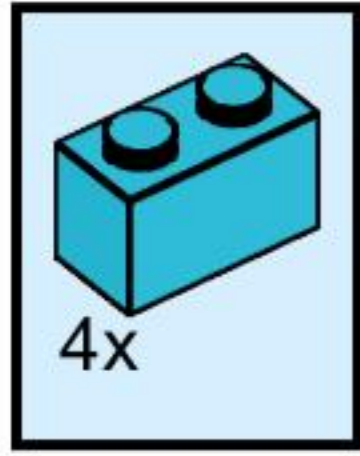
Lego Wedo 2.0 Spider



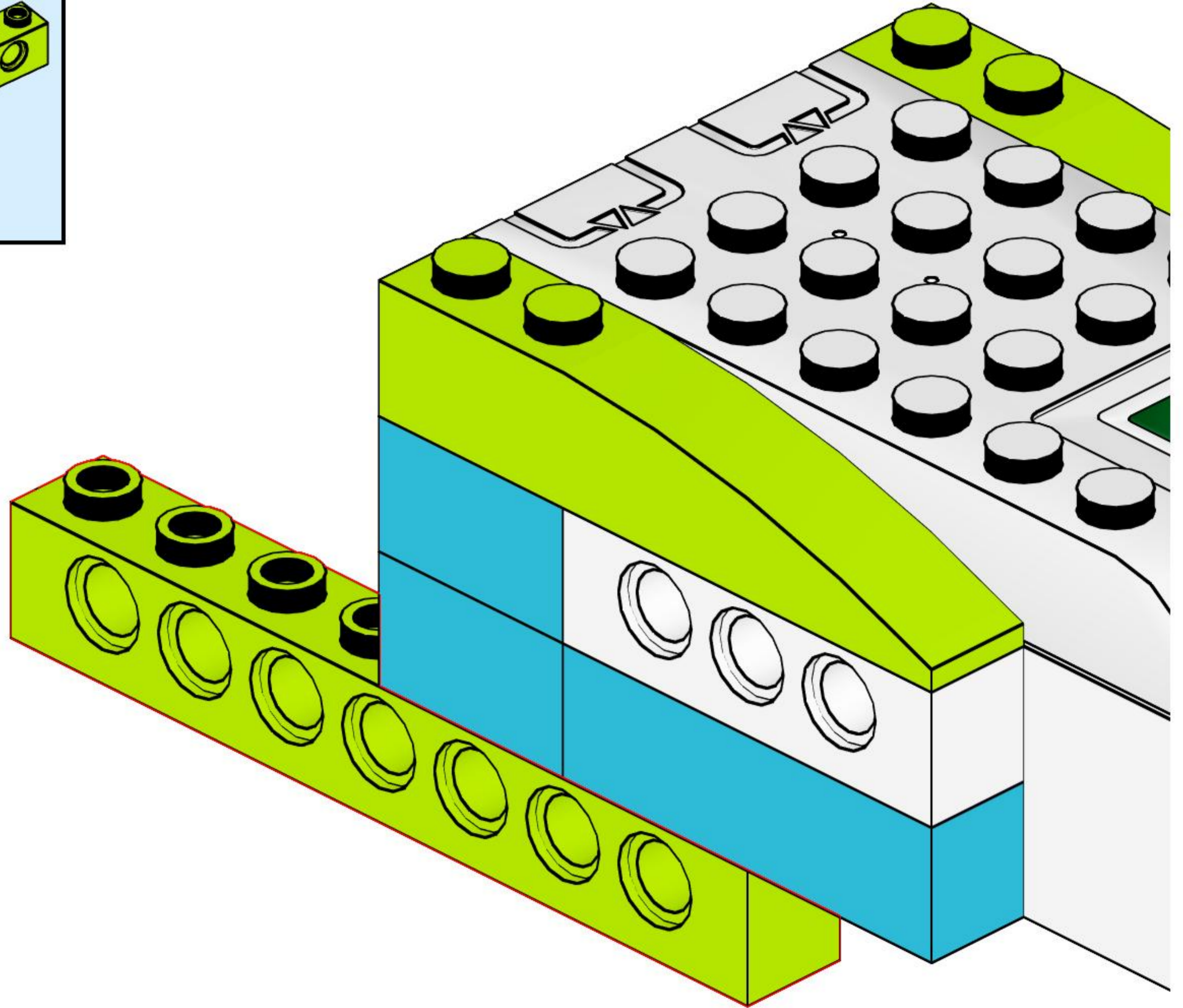
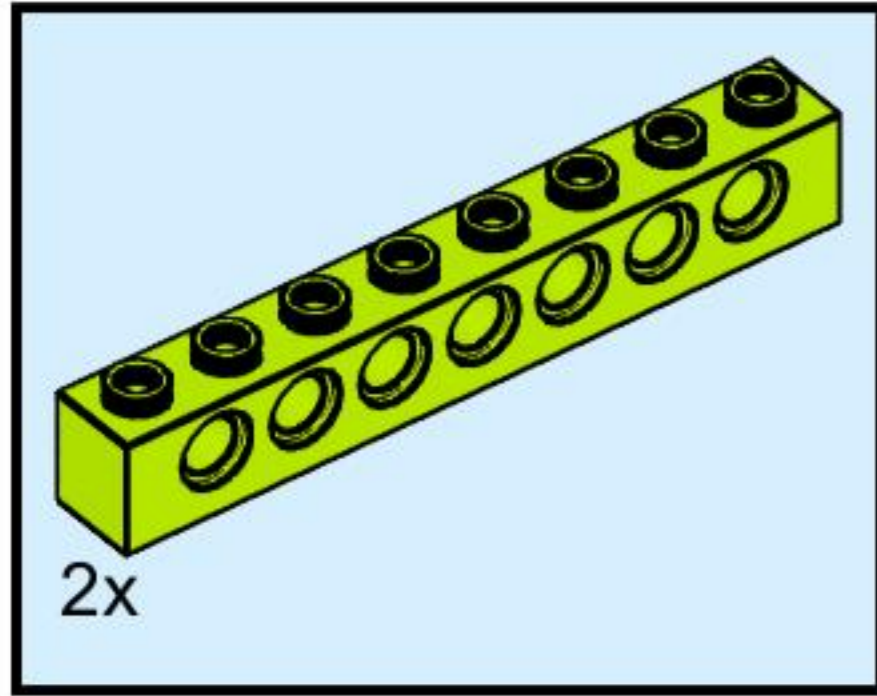
1



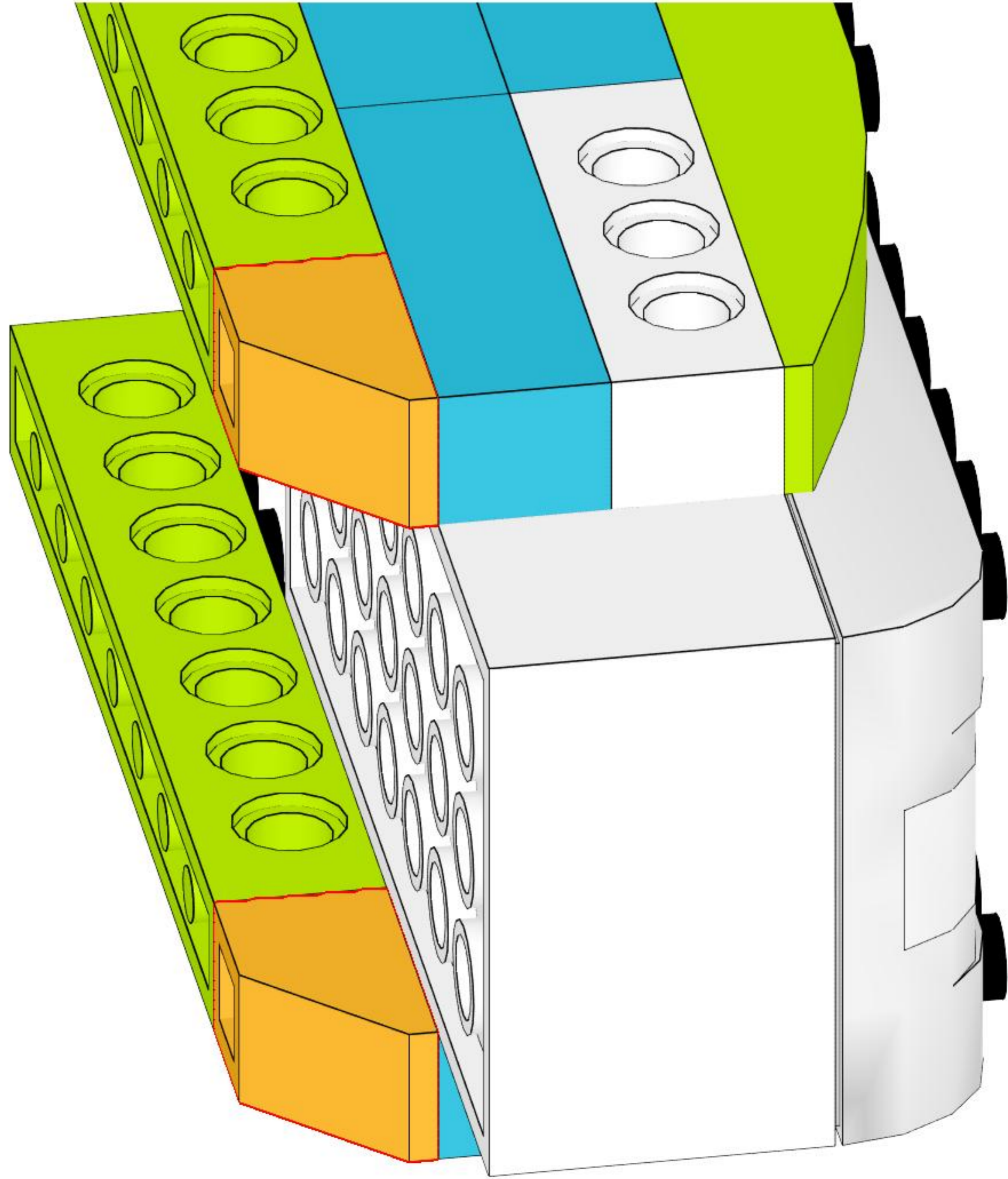
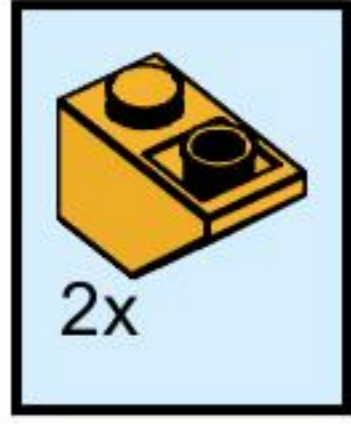
3



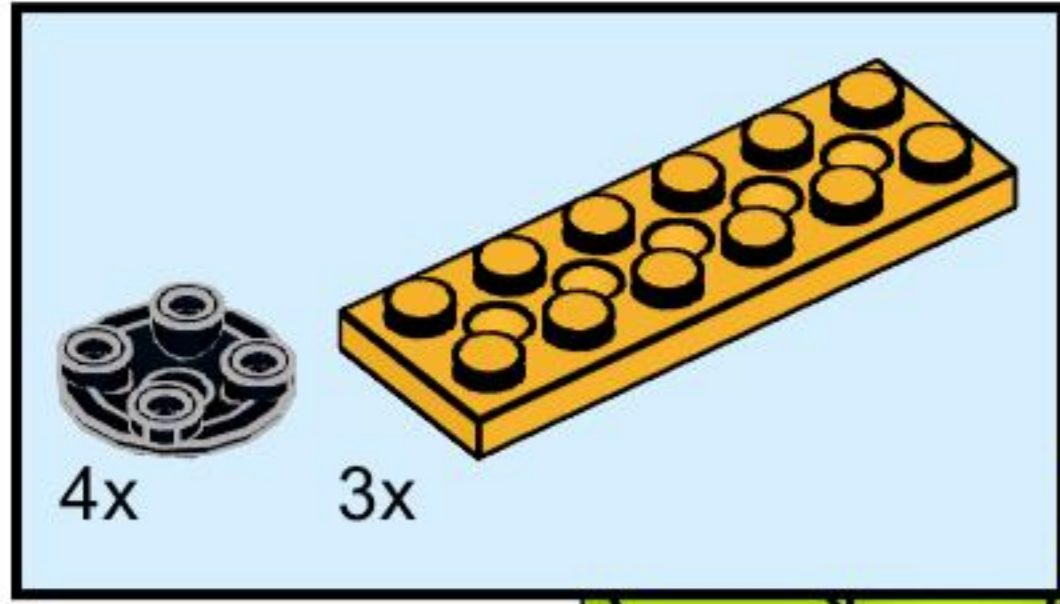
4



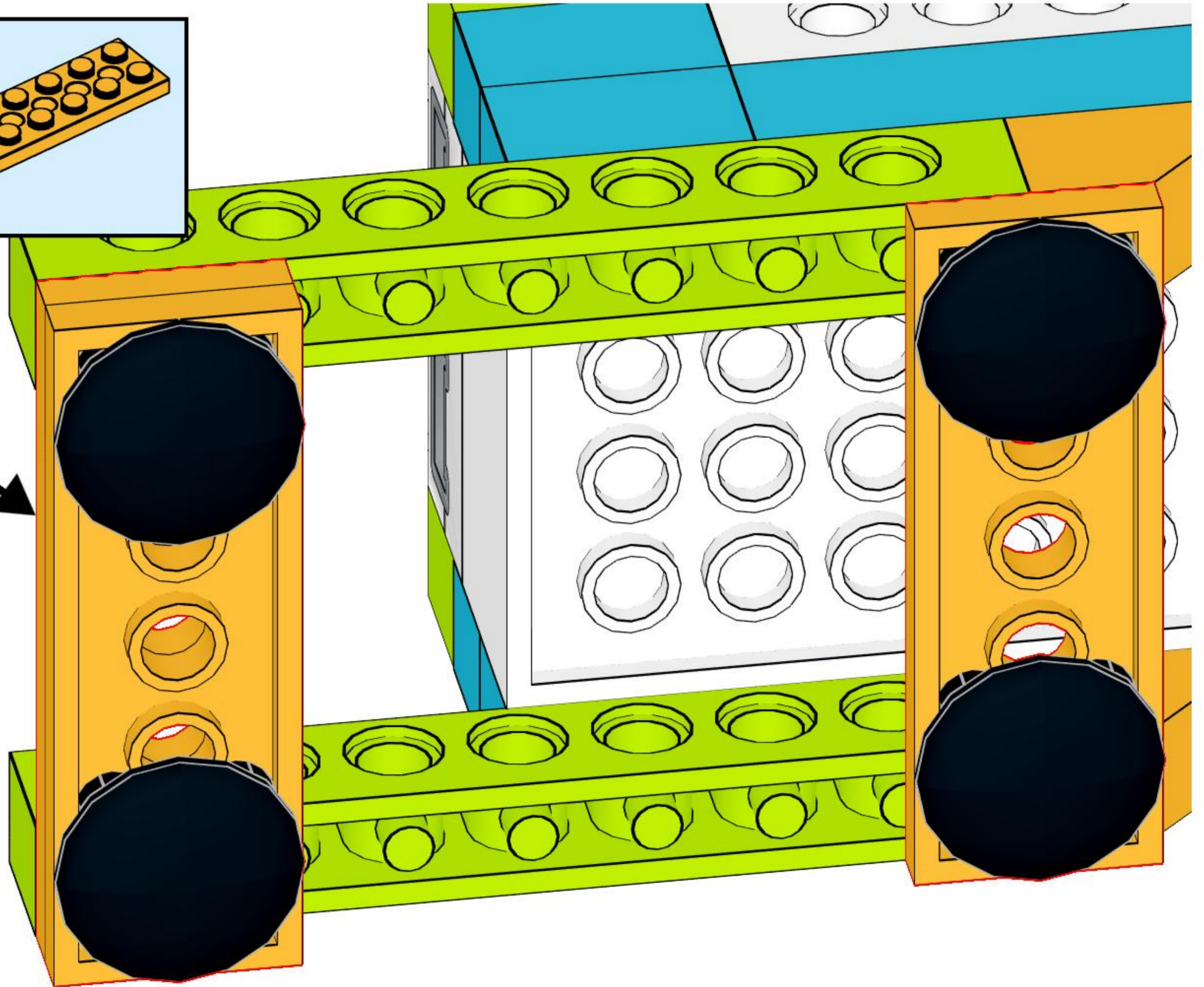
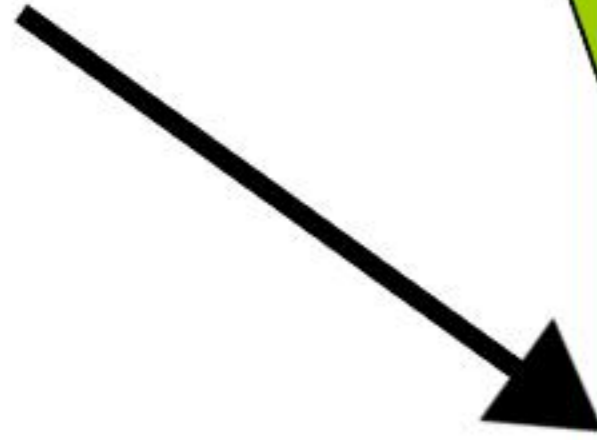
5



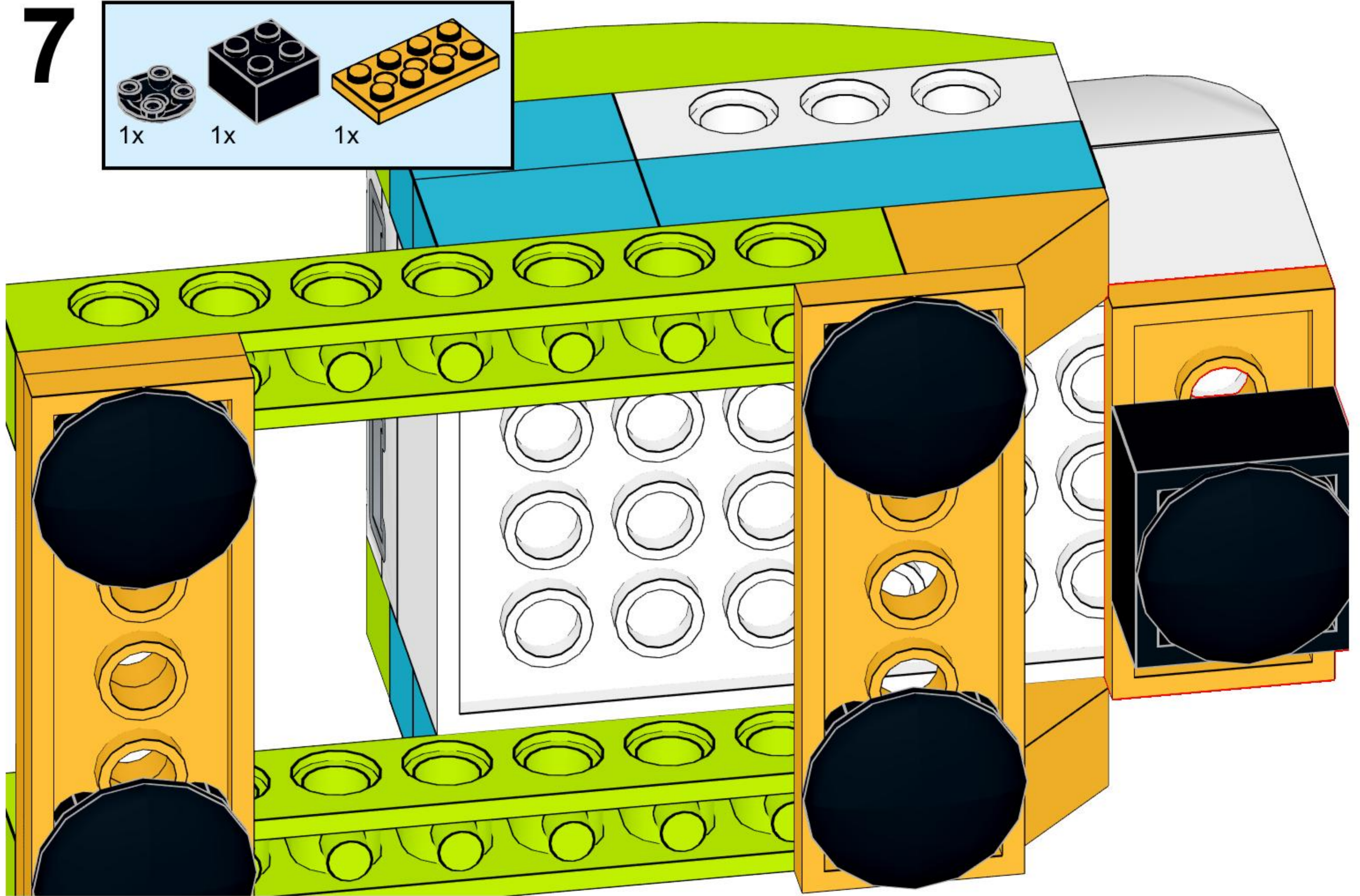
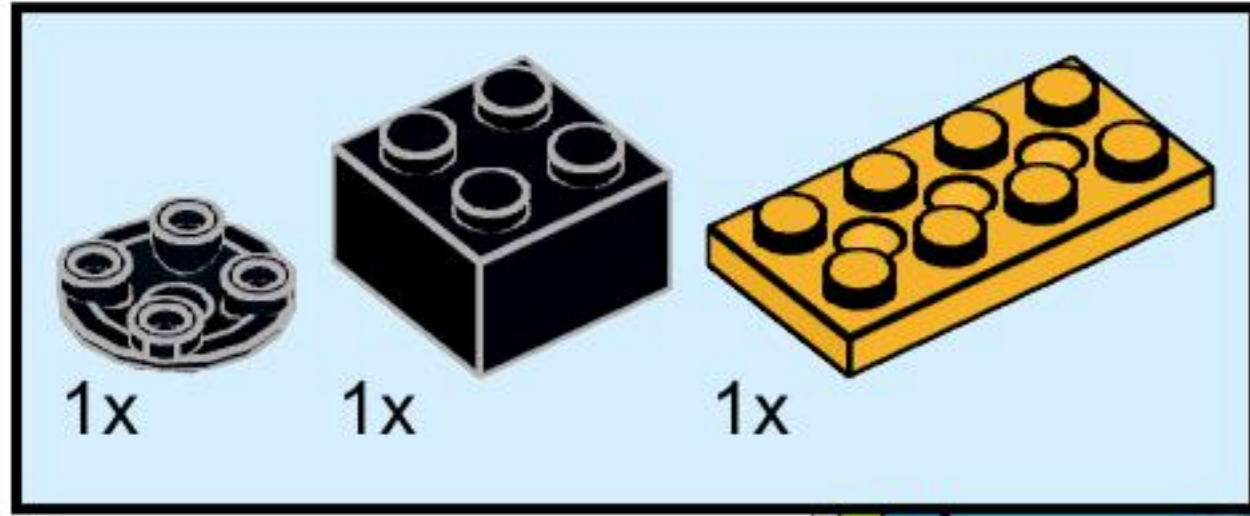
6



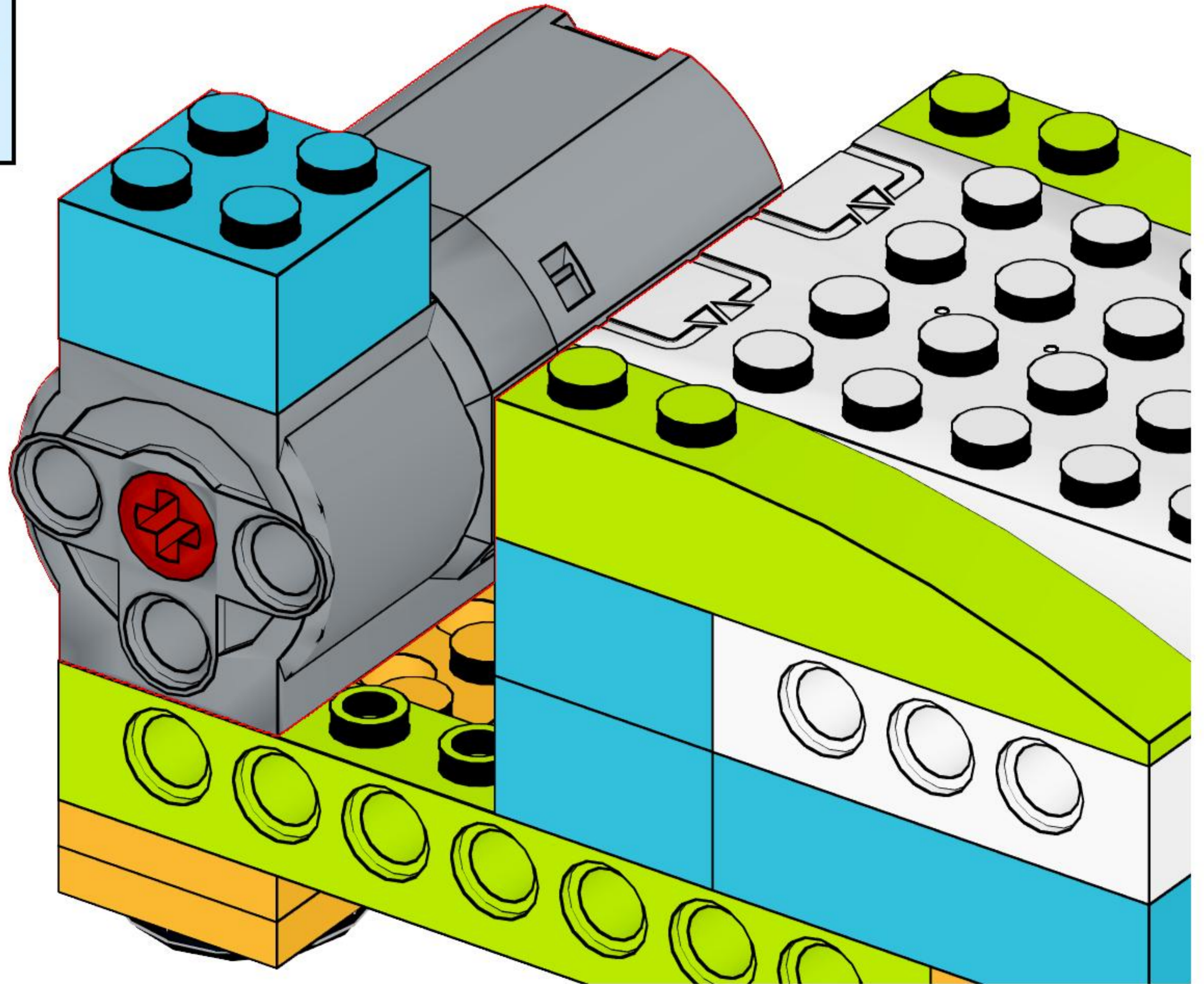
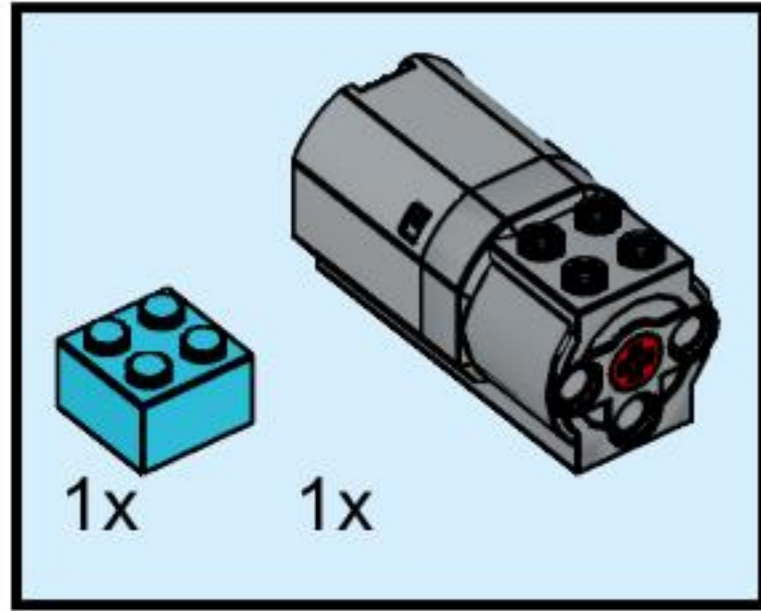
2 bricks



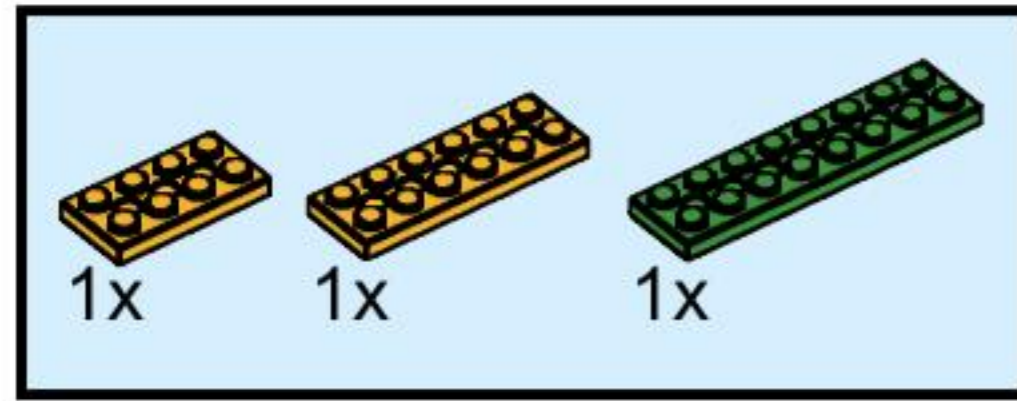
7



8

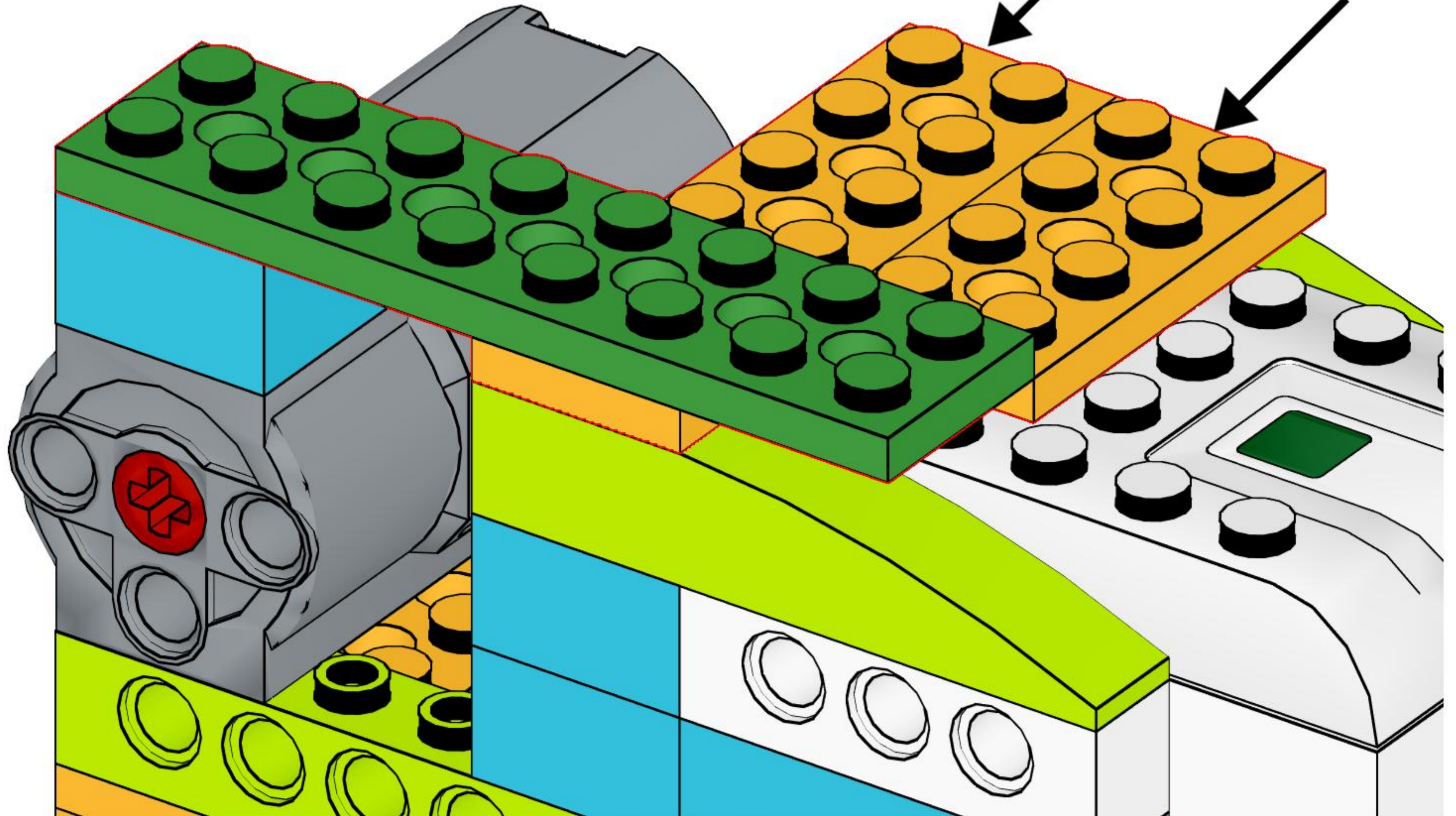


9

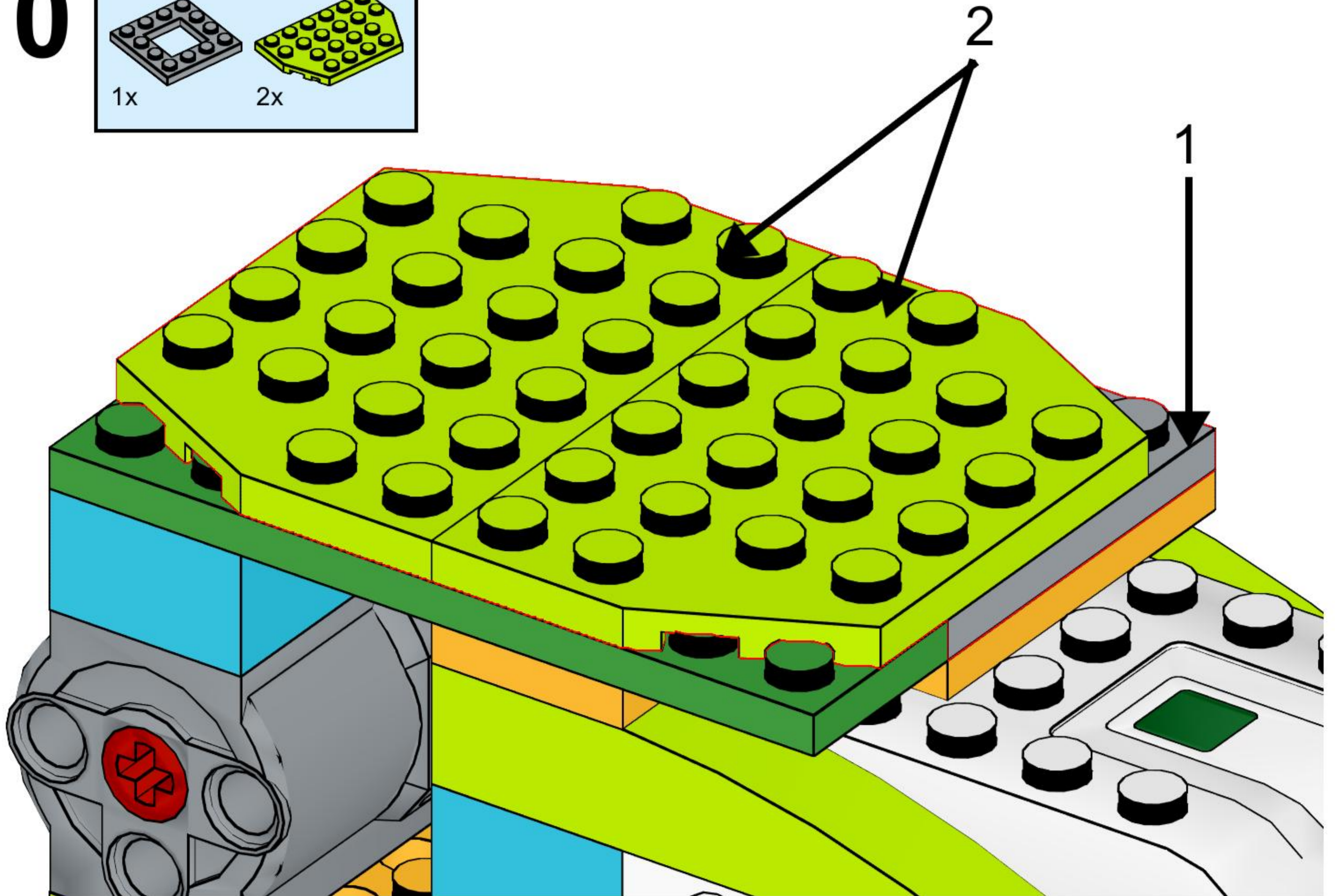
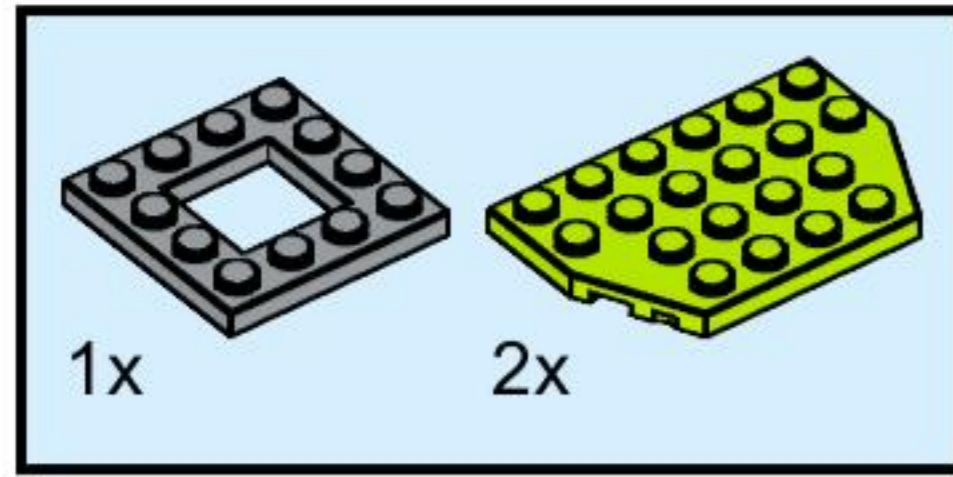


12 sized brick

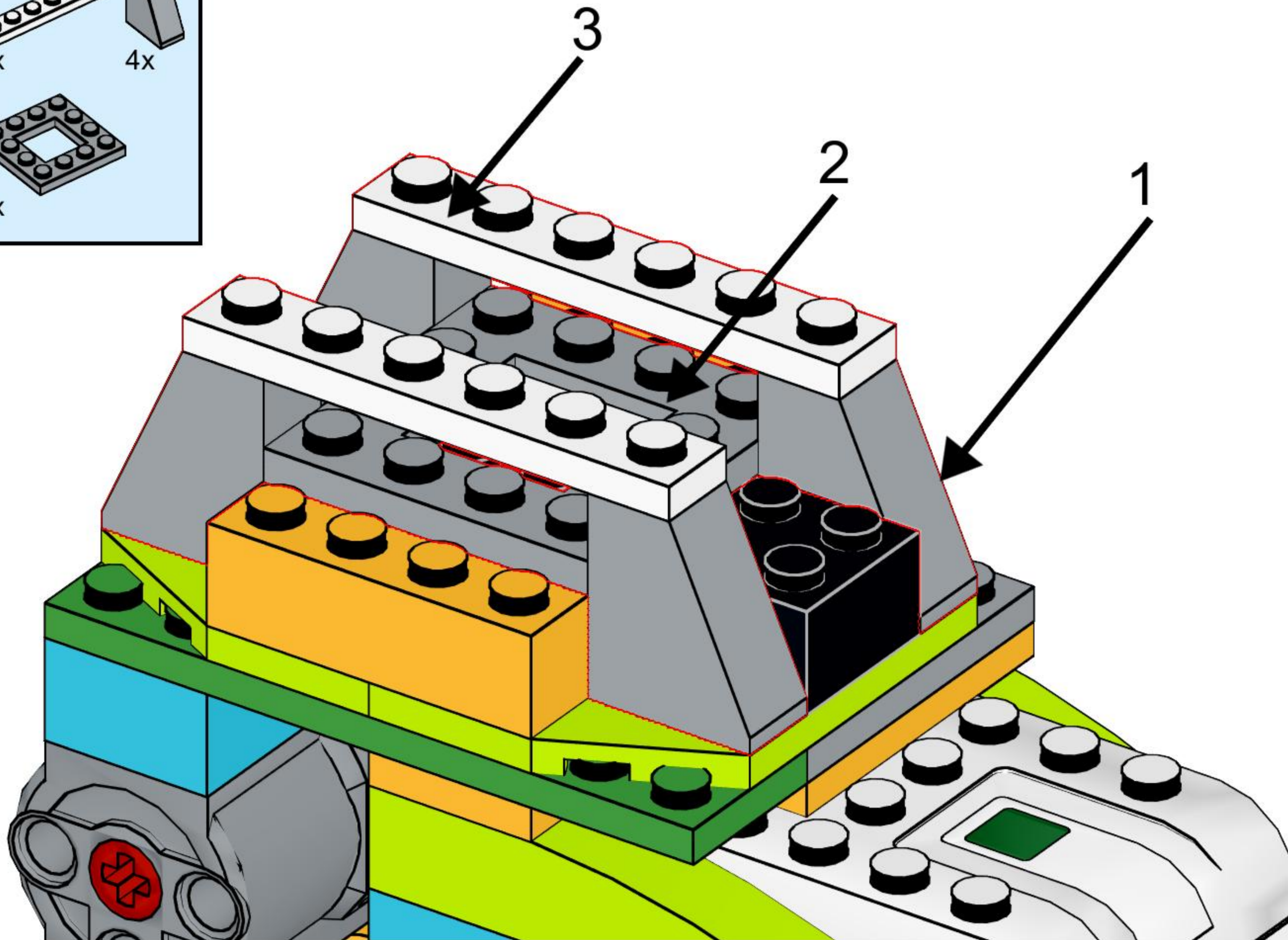
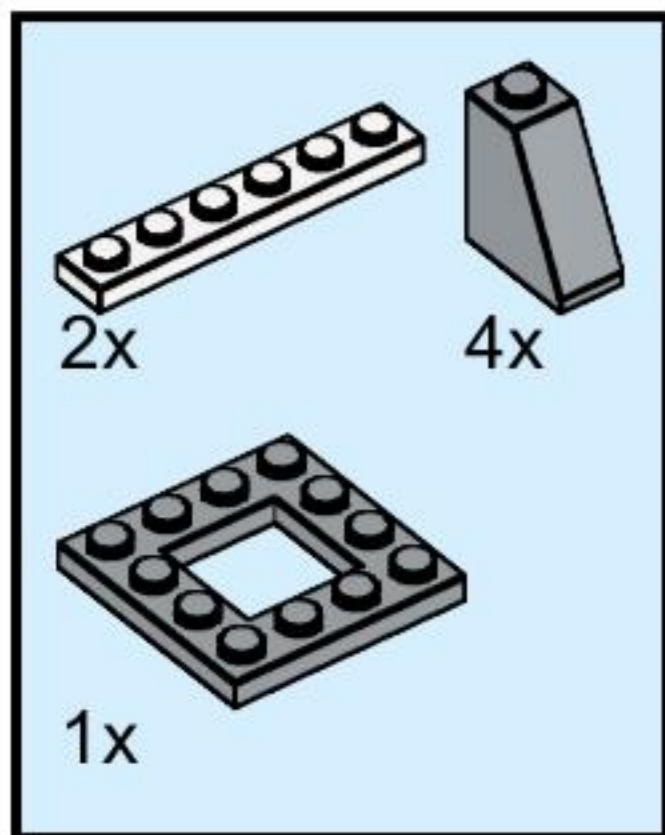
8 sized brick

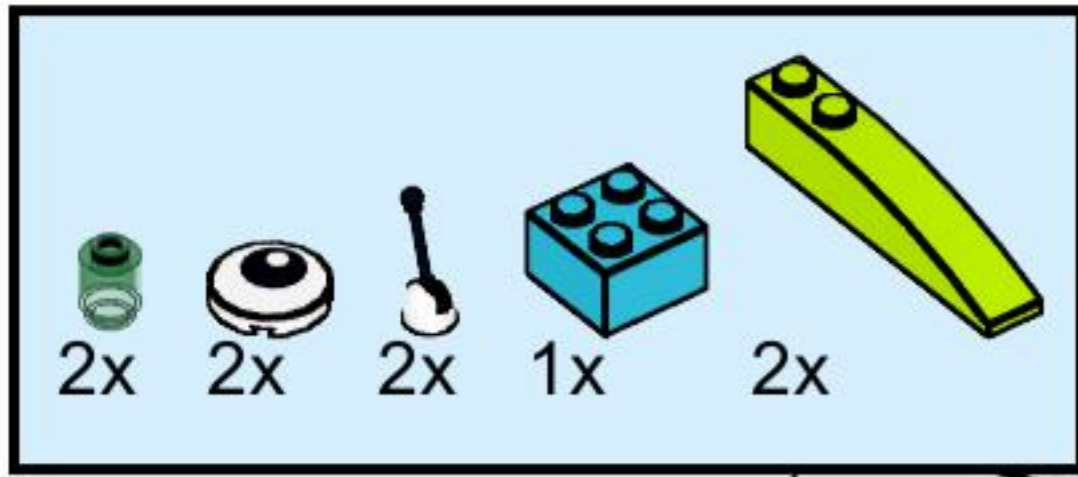


10

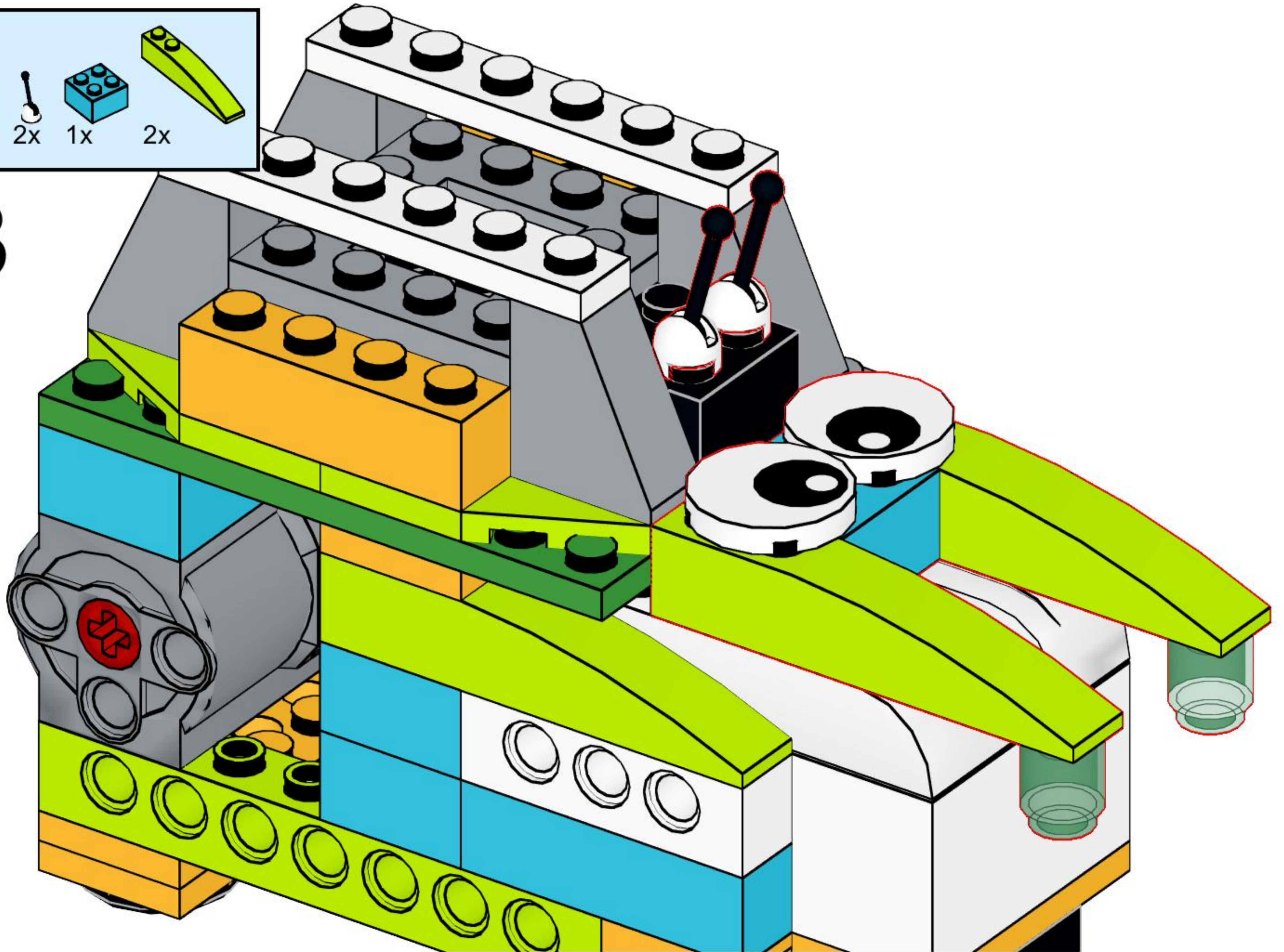


12

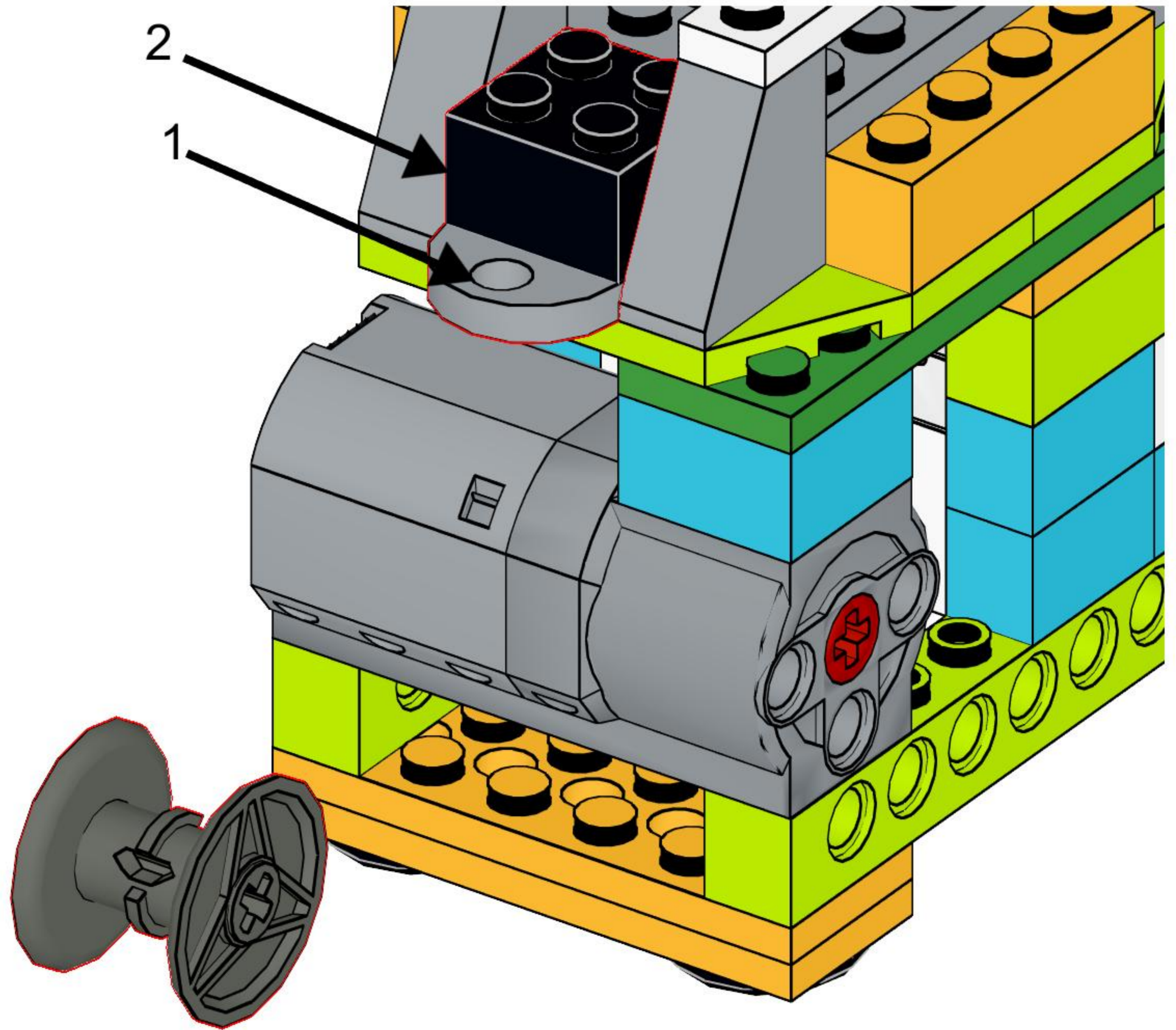
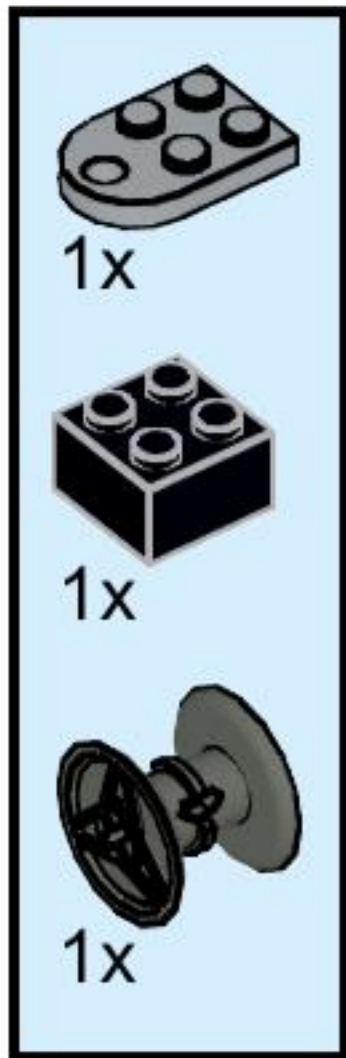




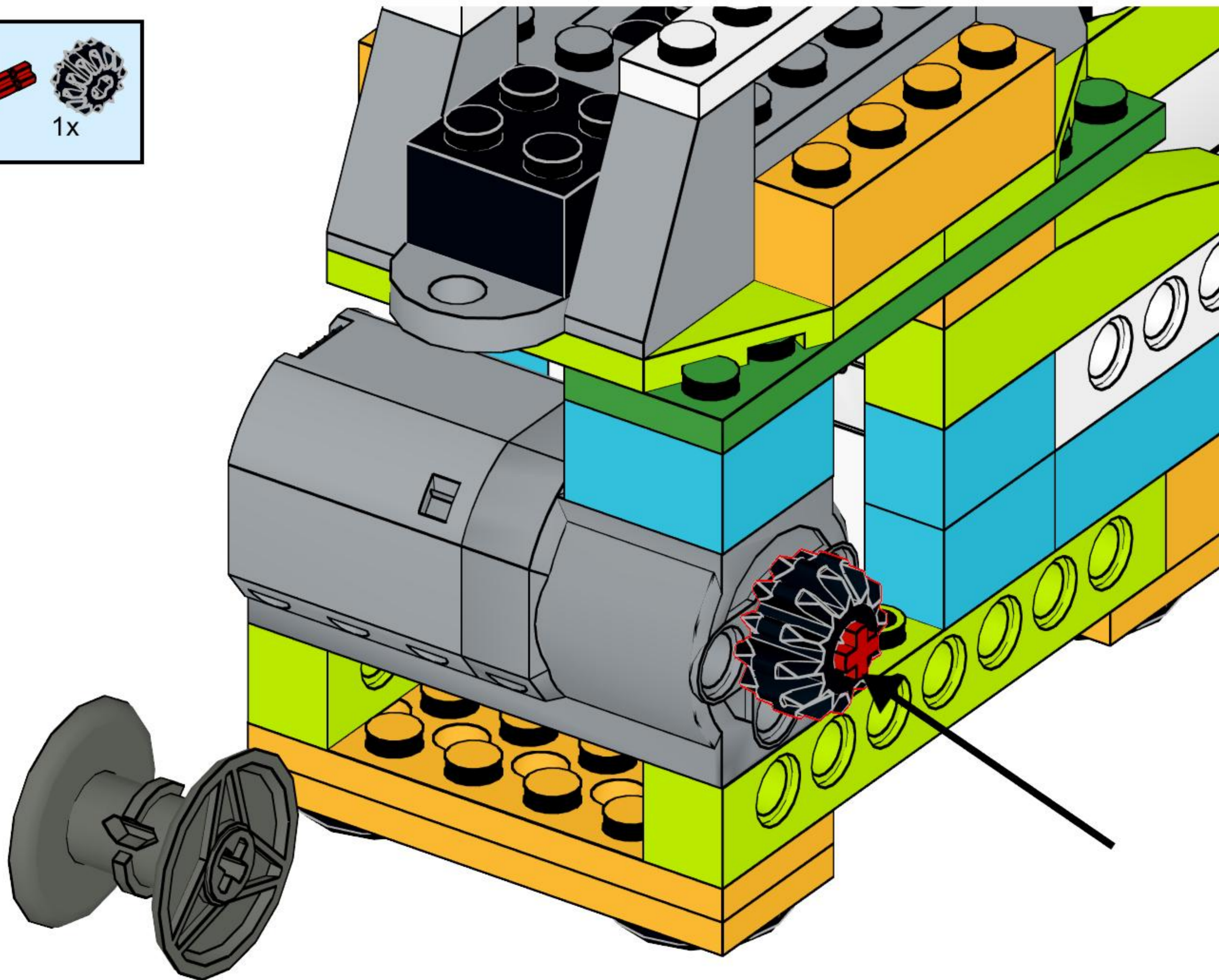
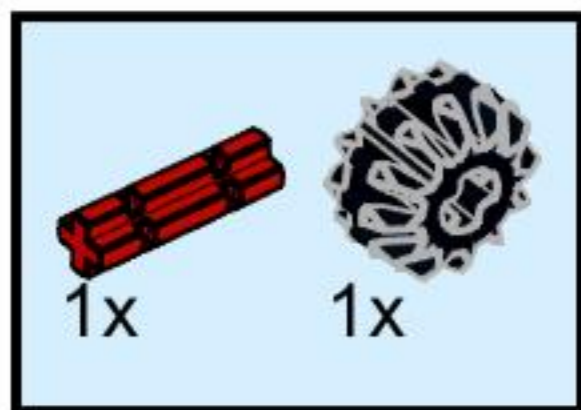
13



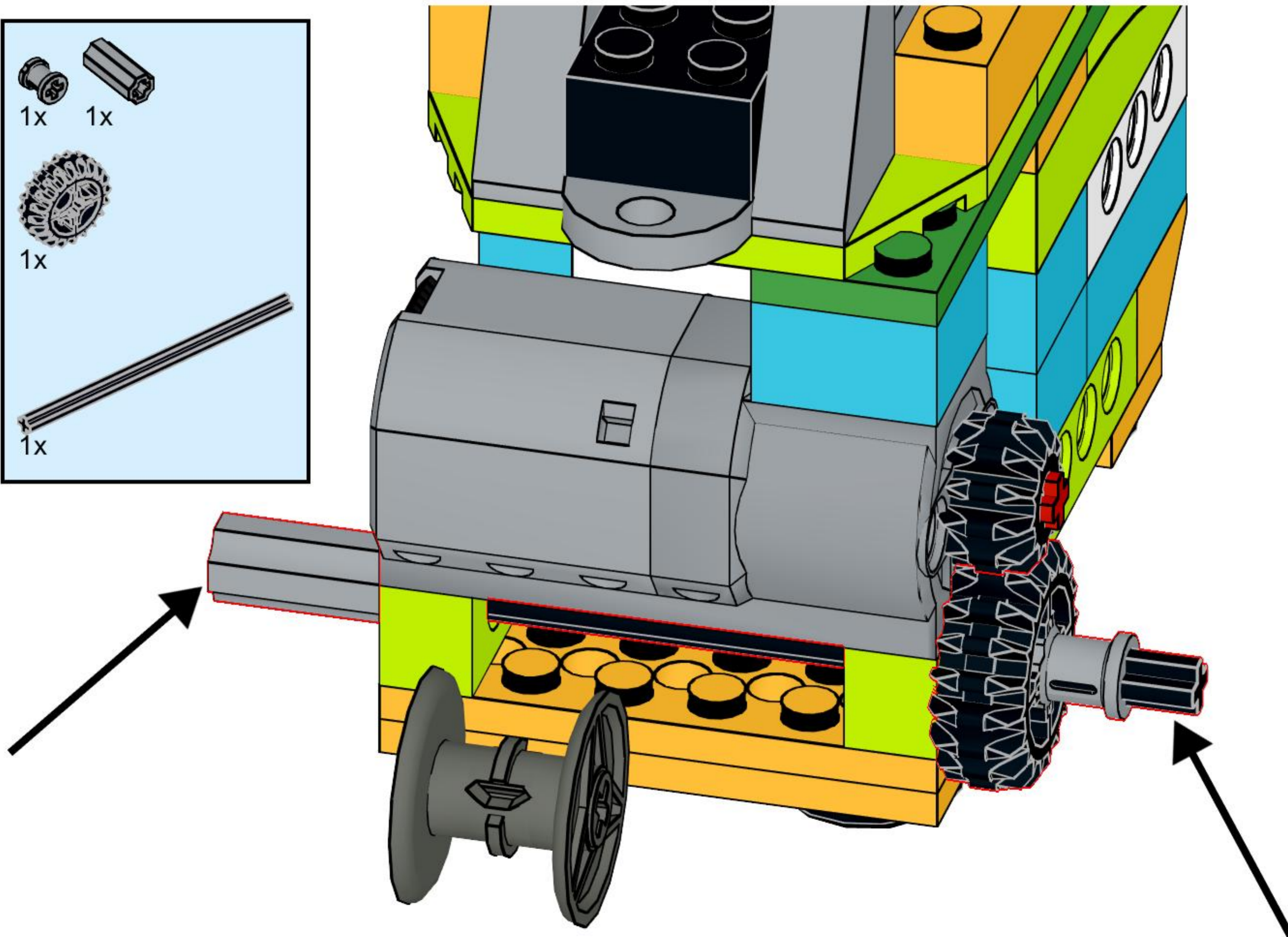
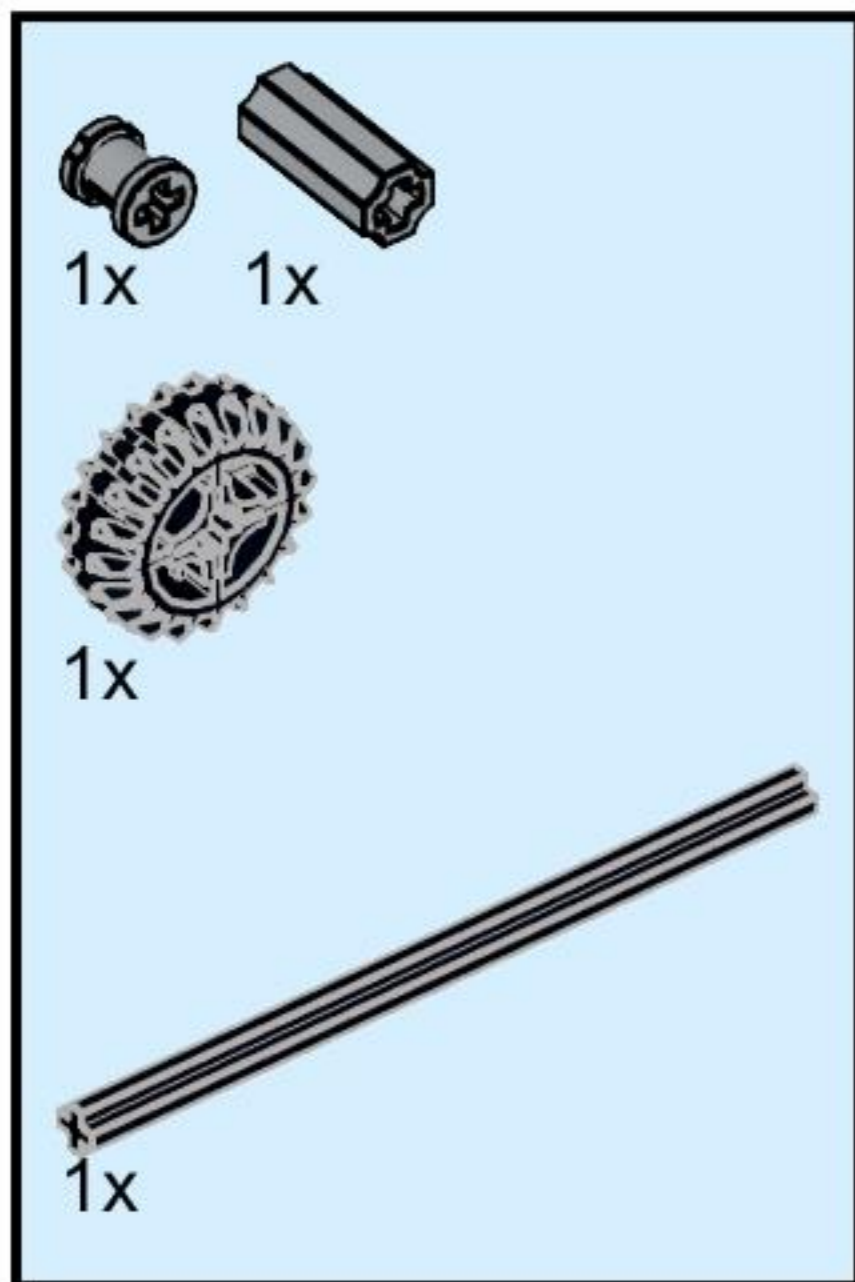
14



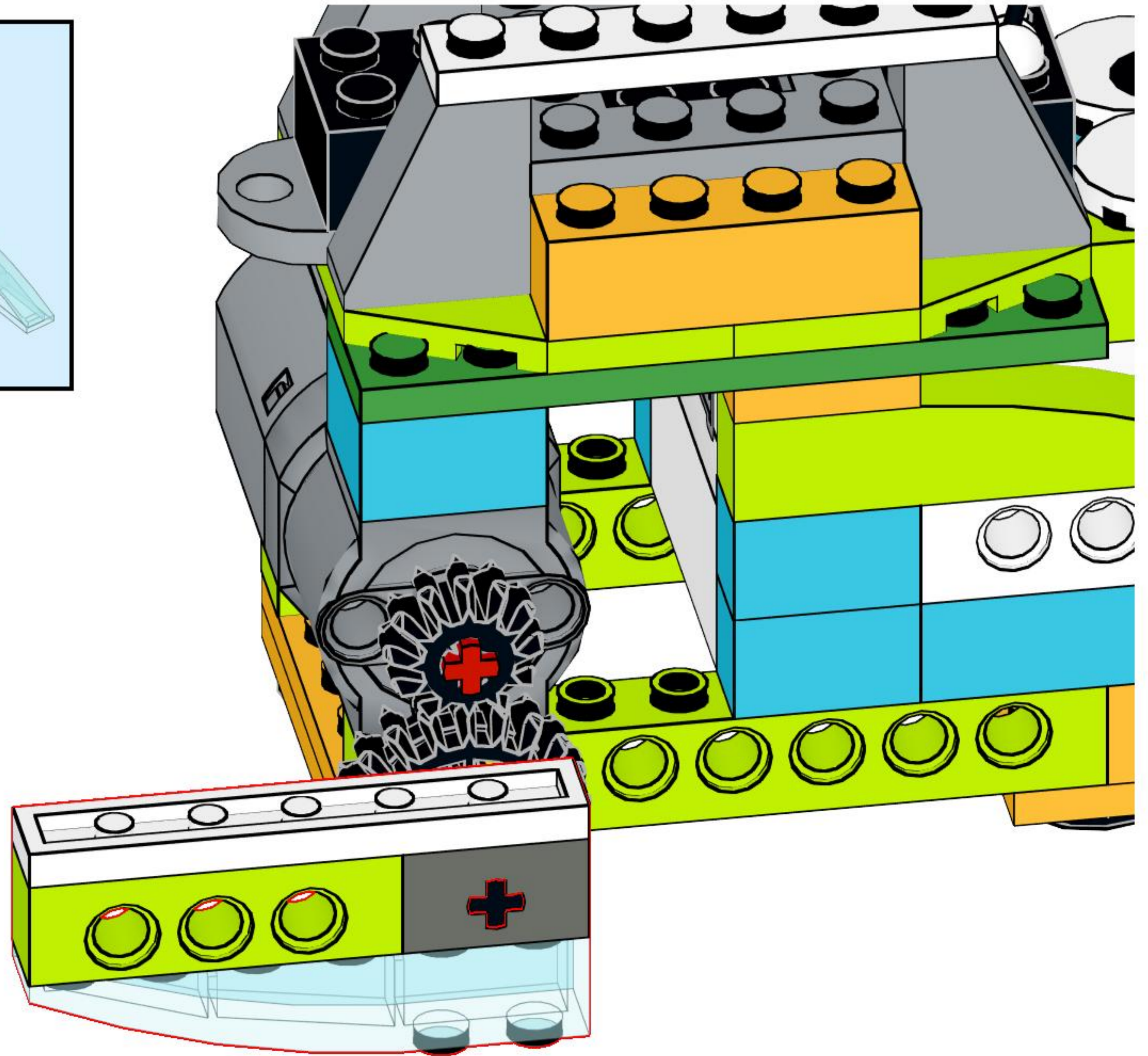
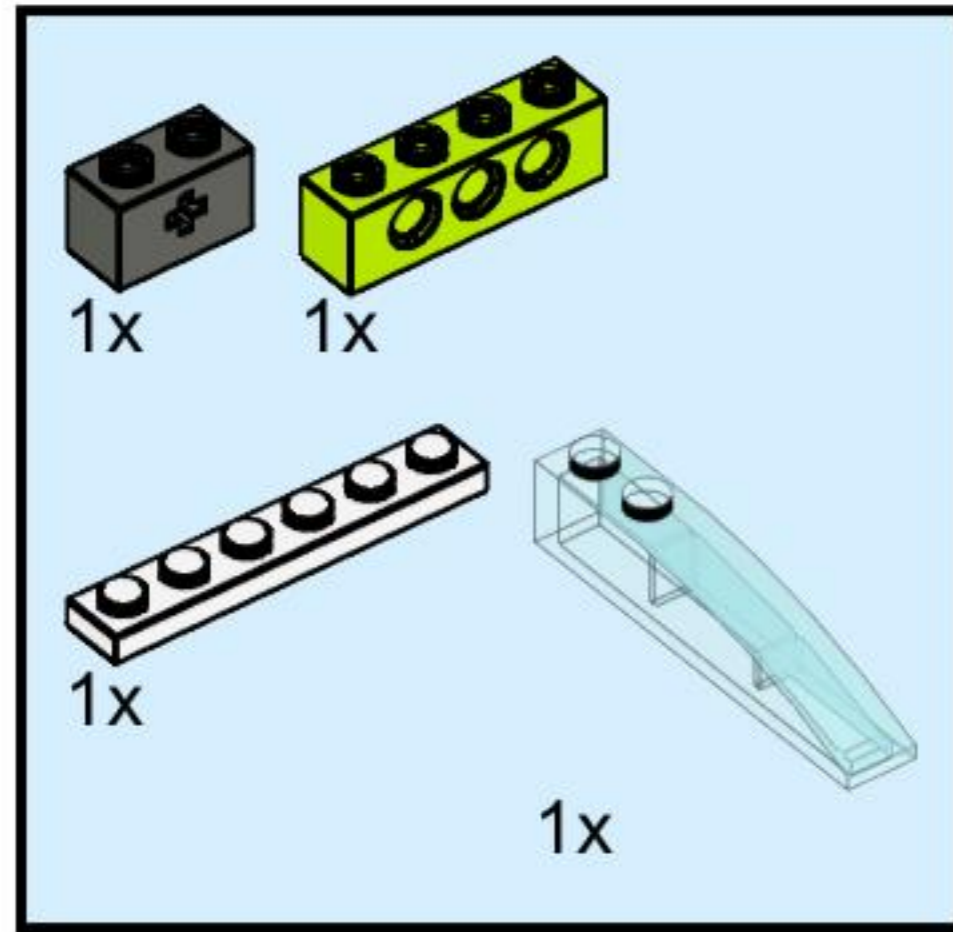
15



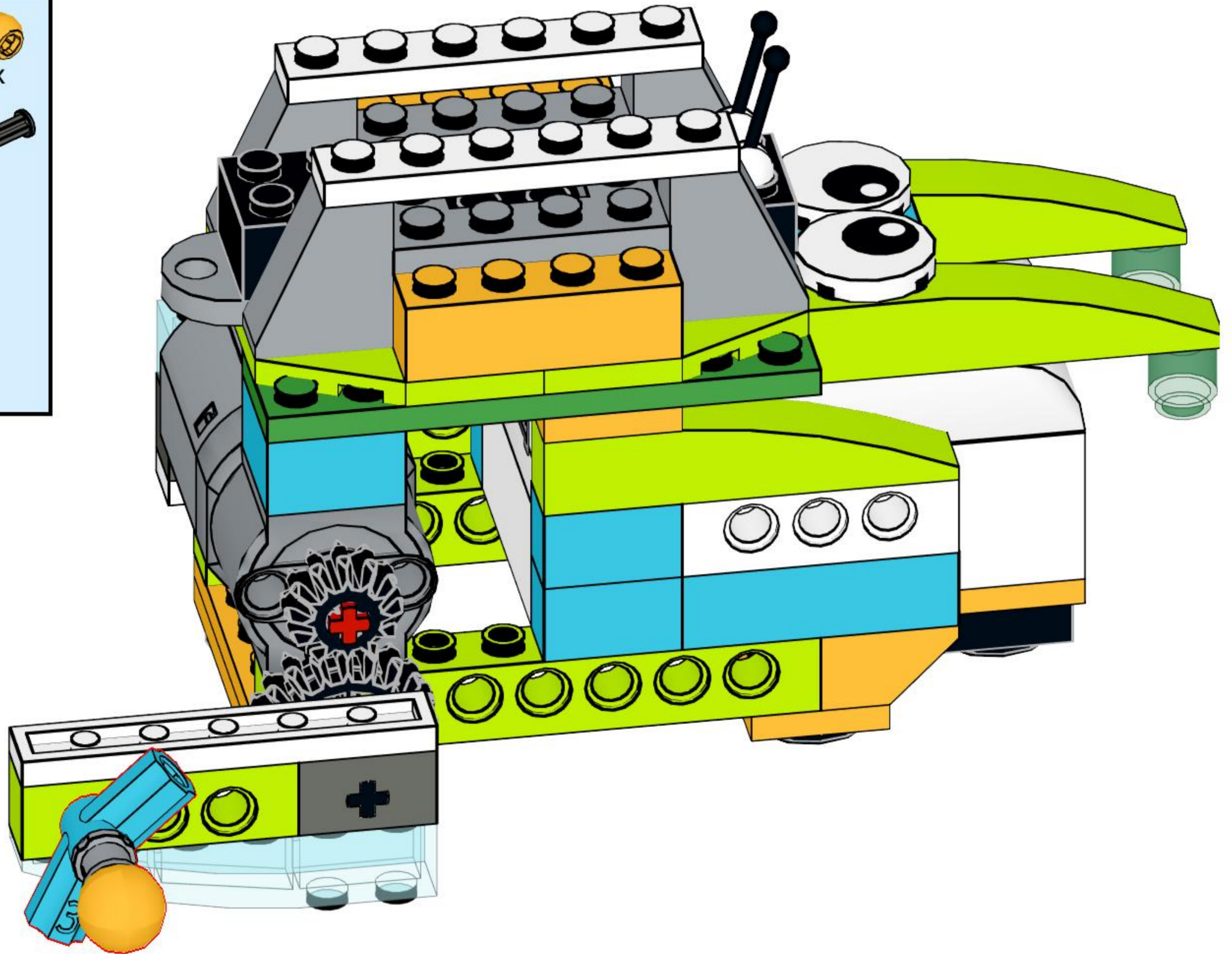
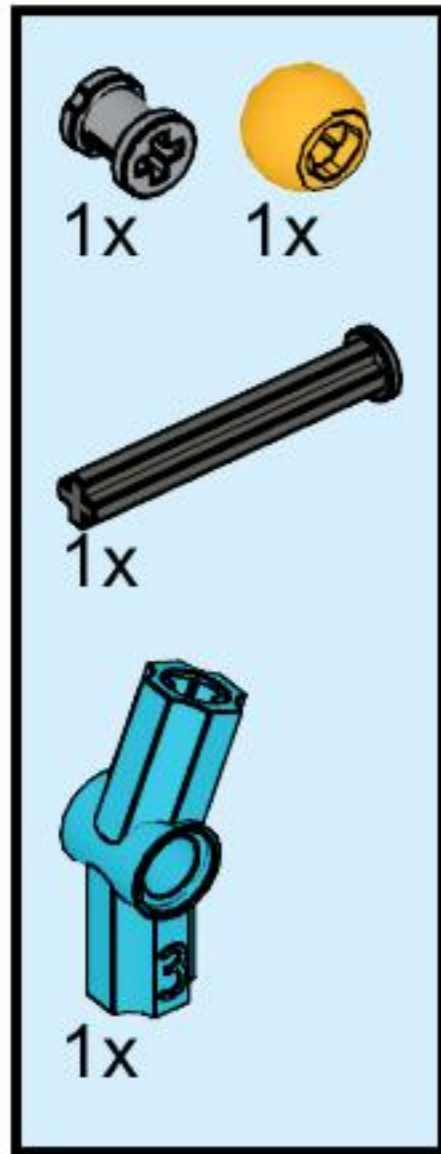
16



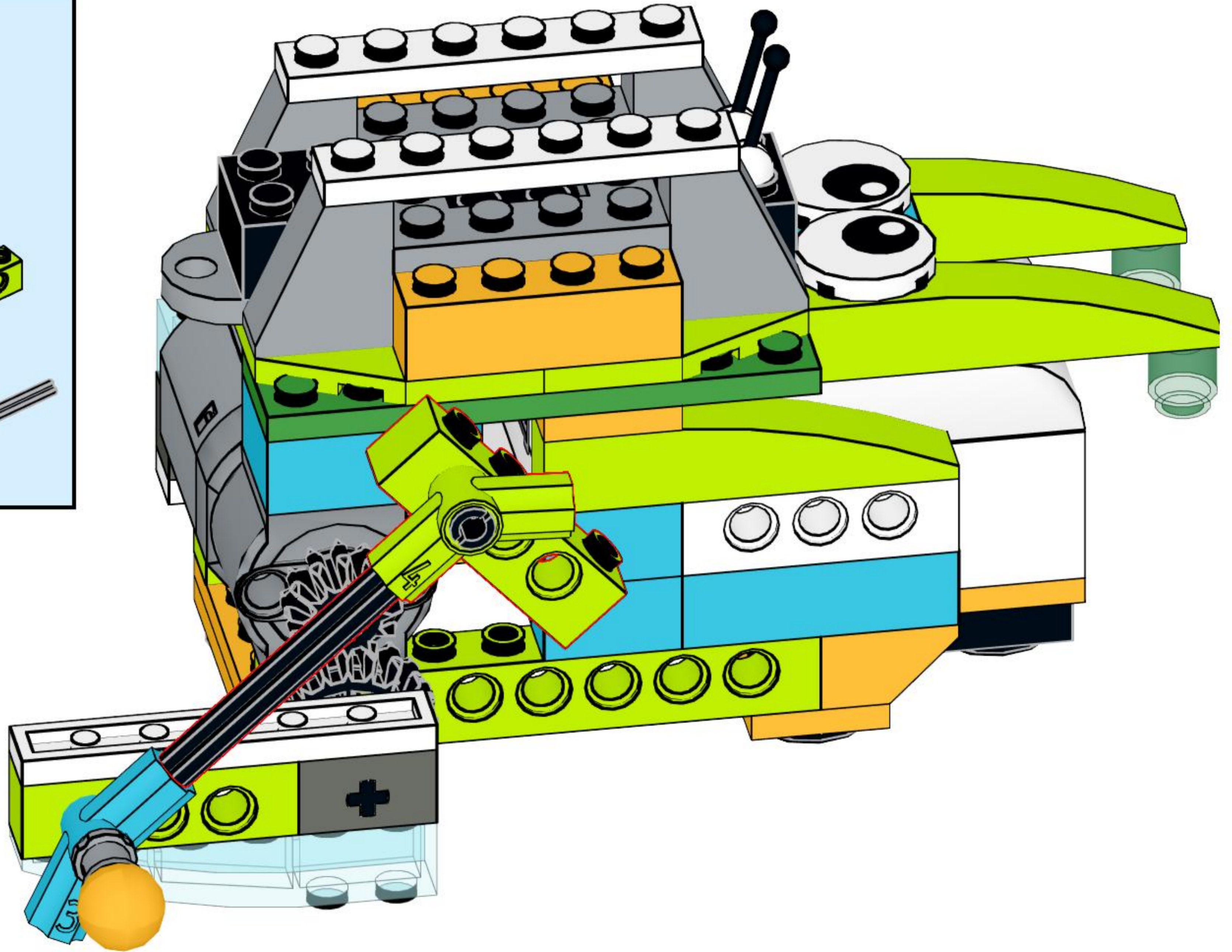
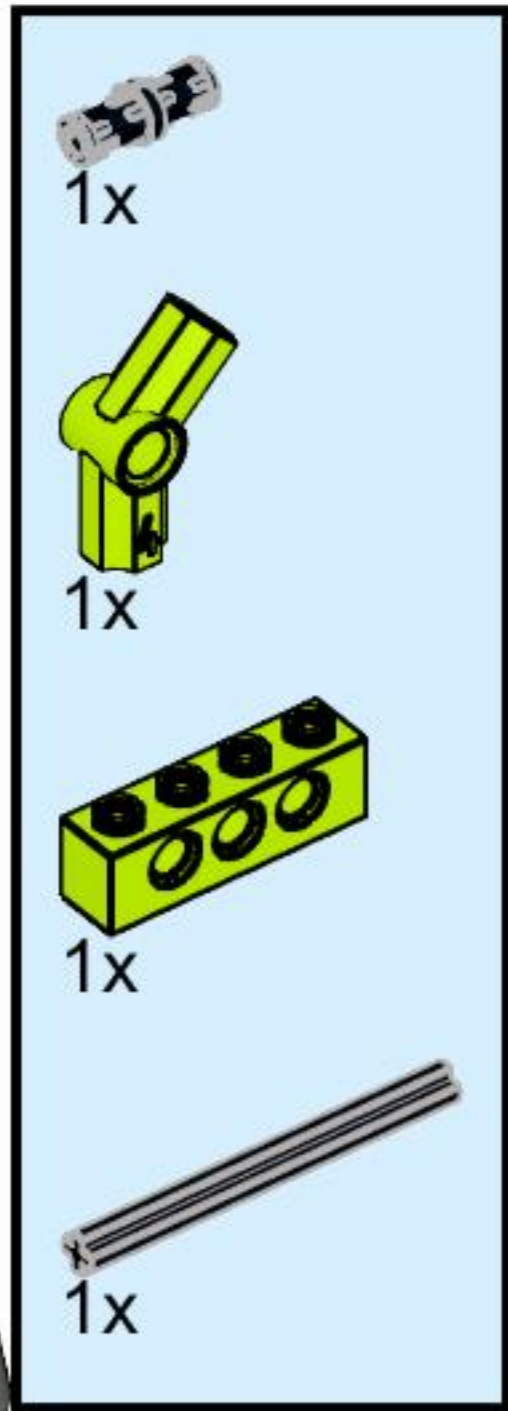
17



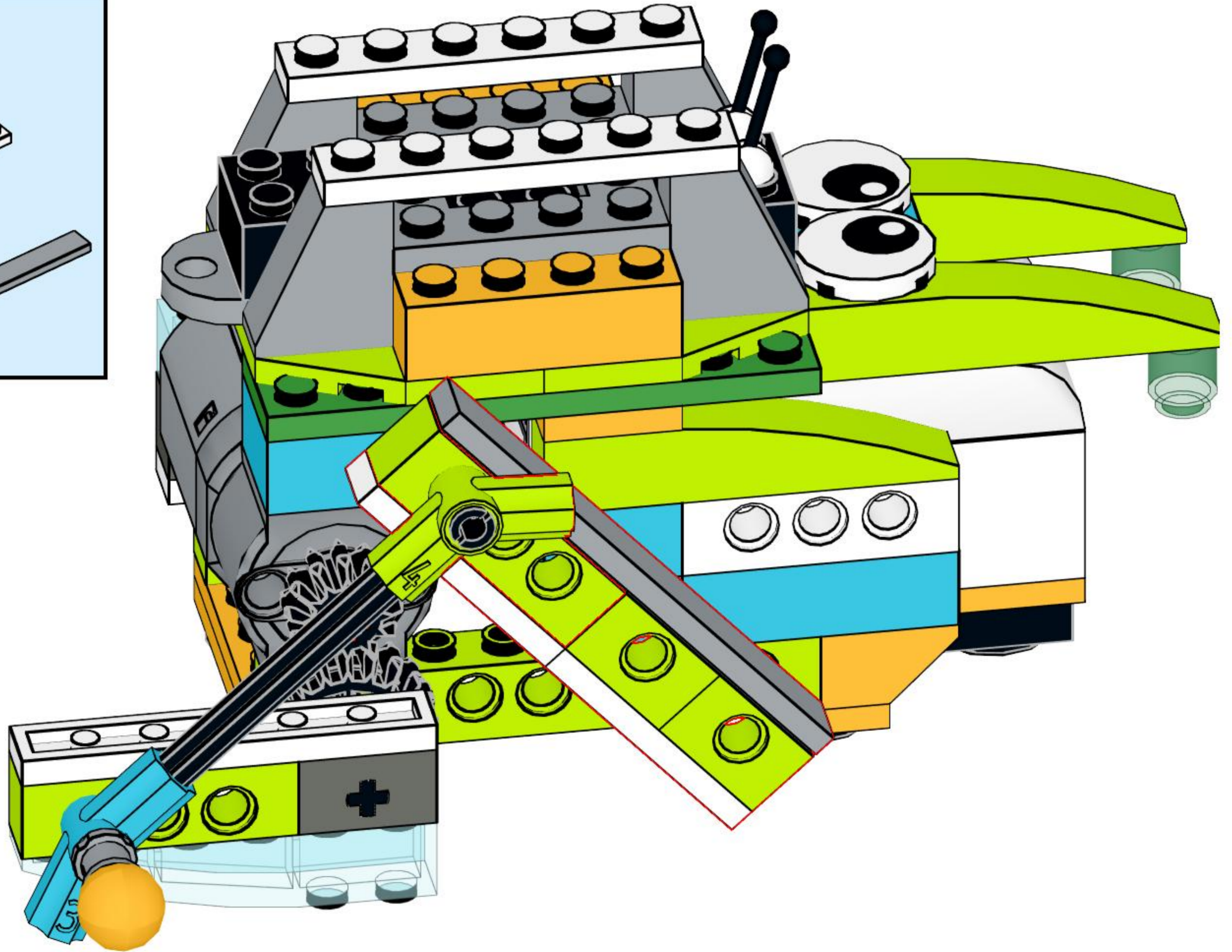
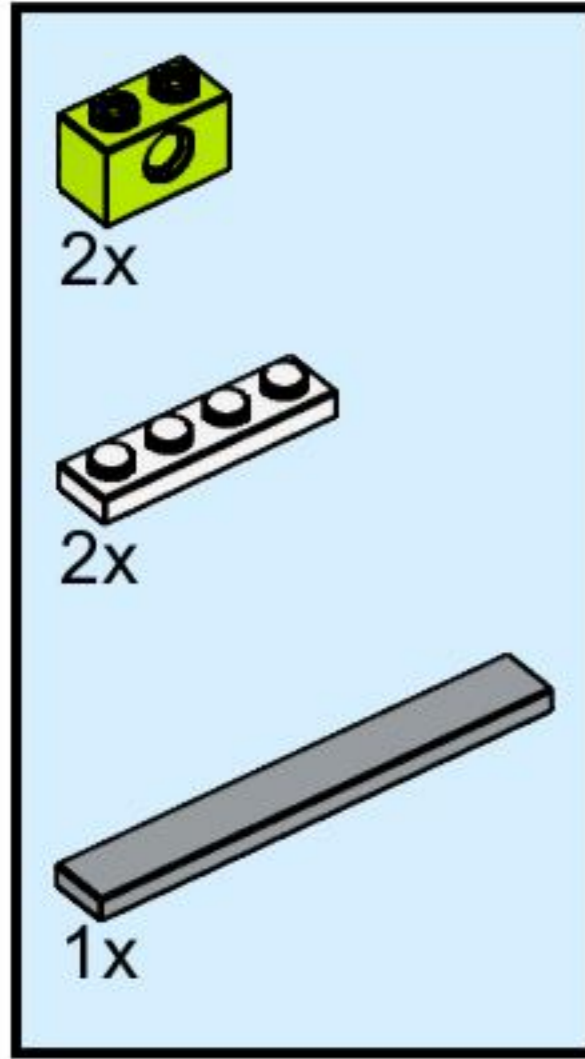
19



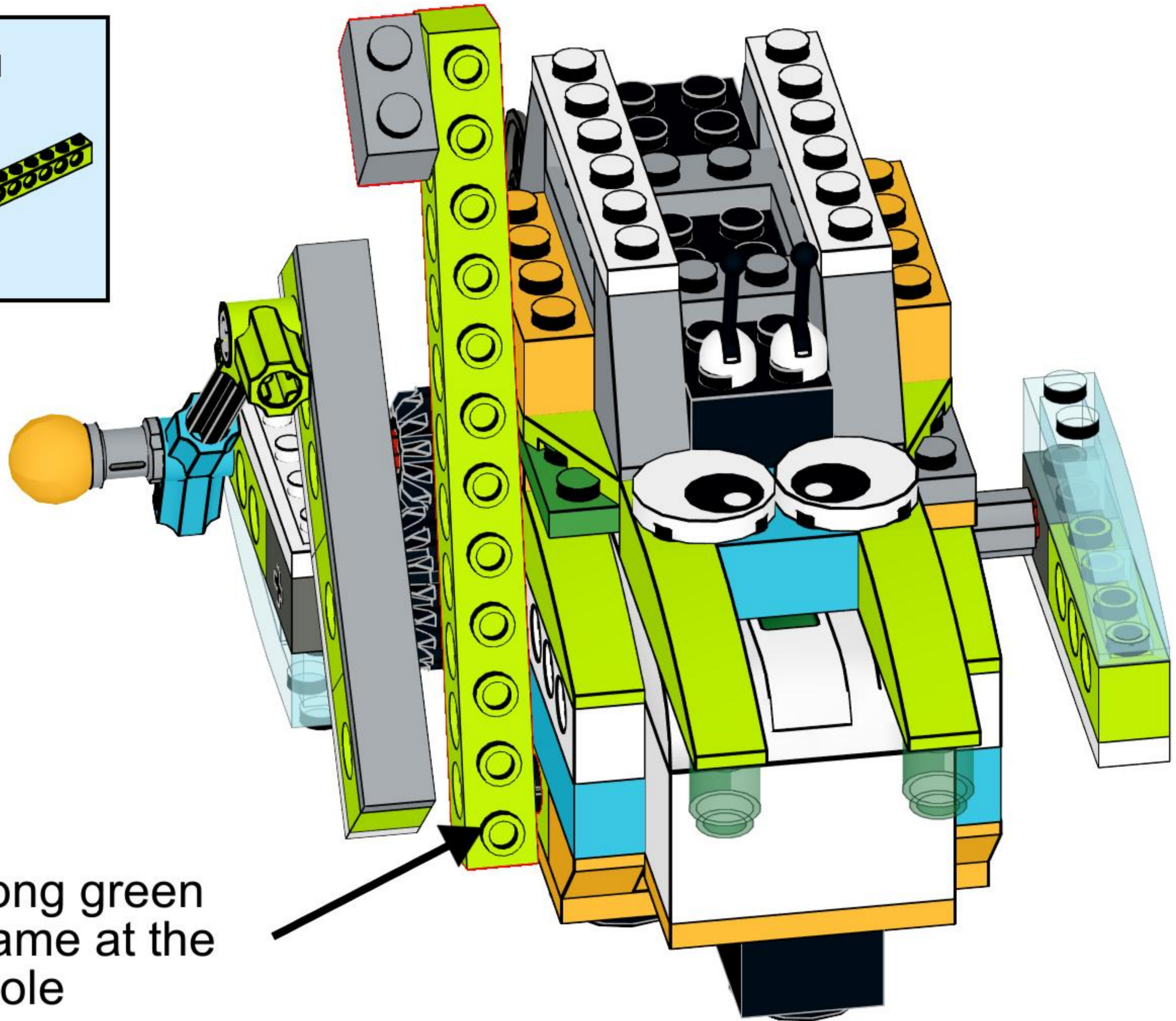
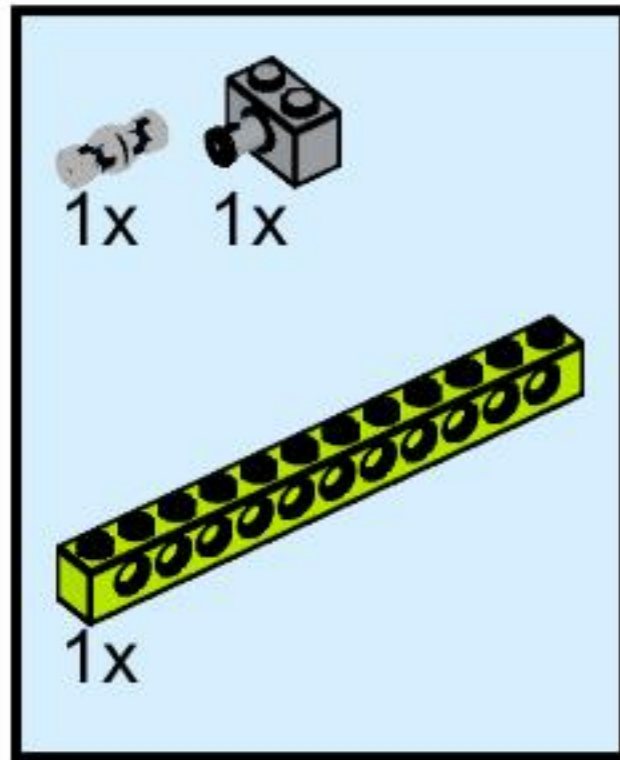
20



21

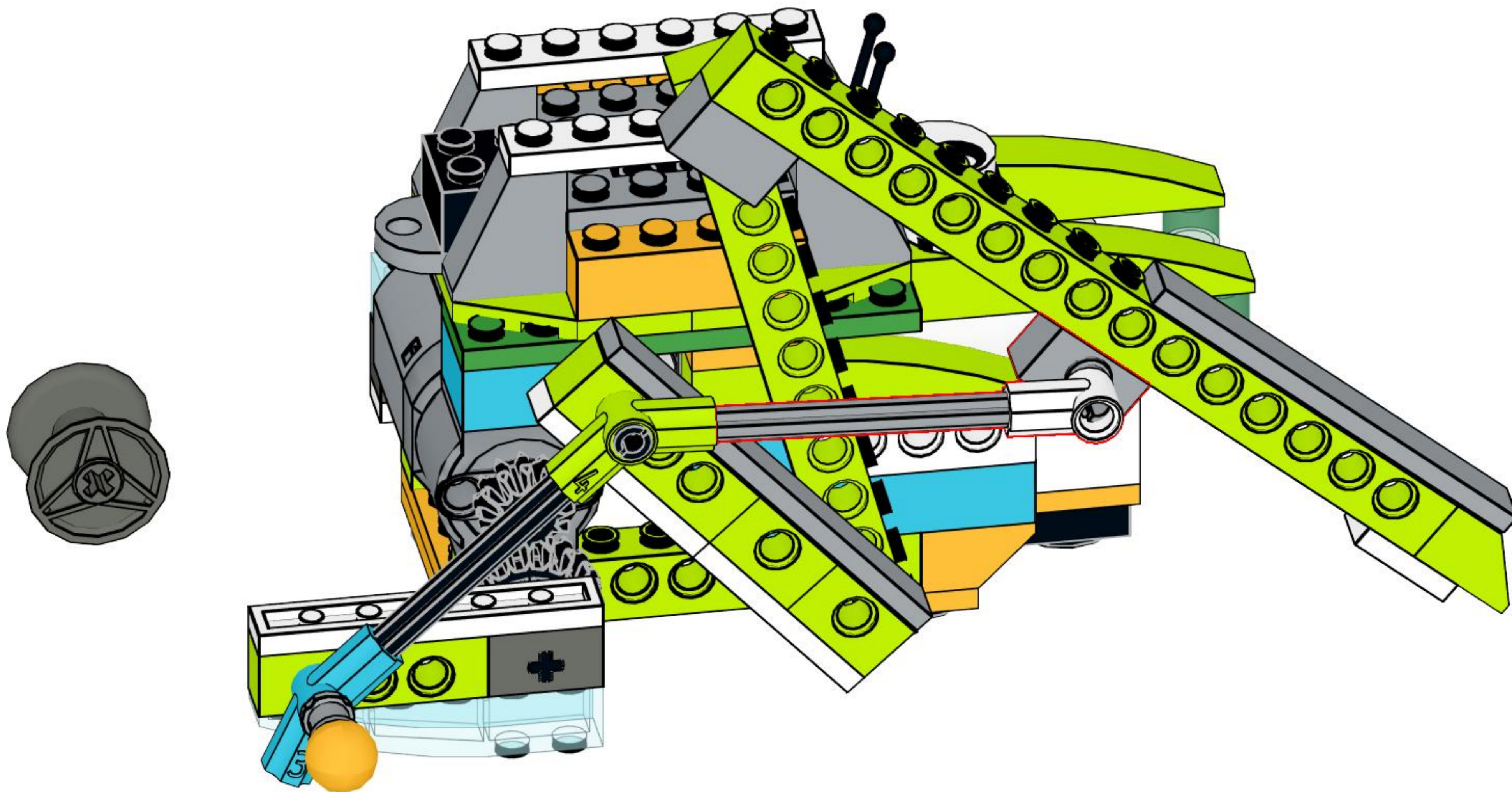
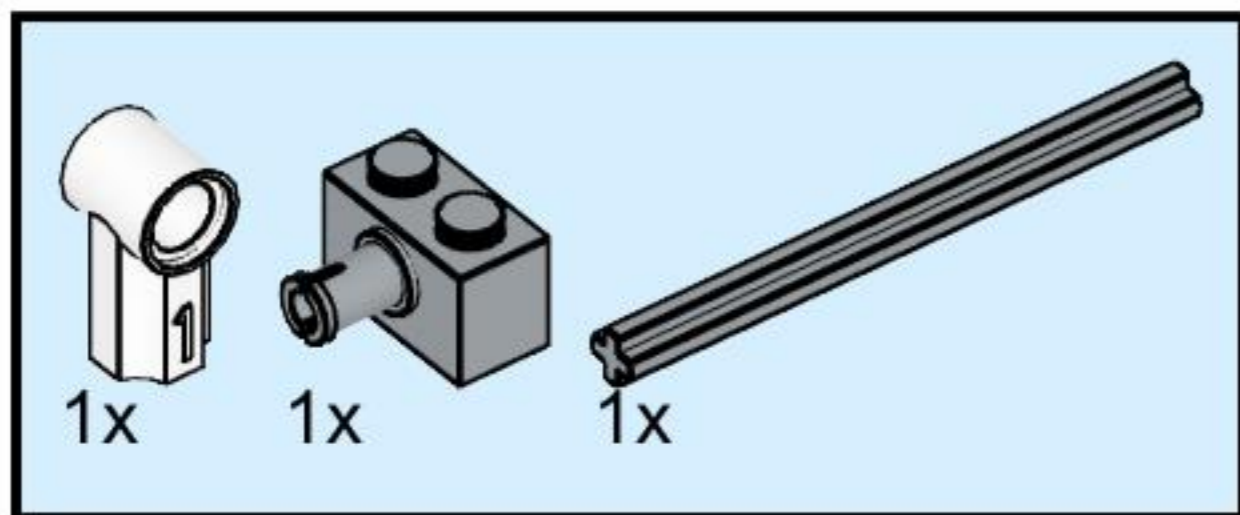


22

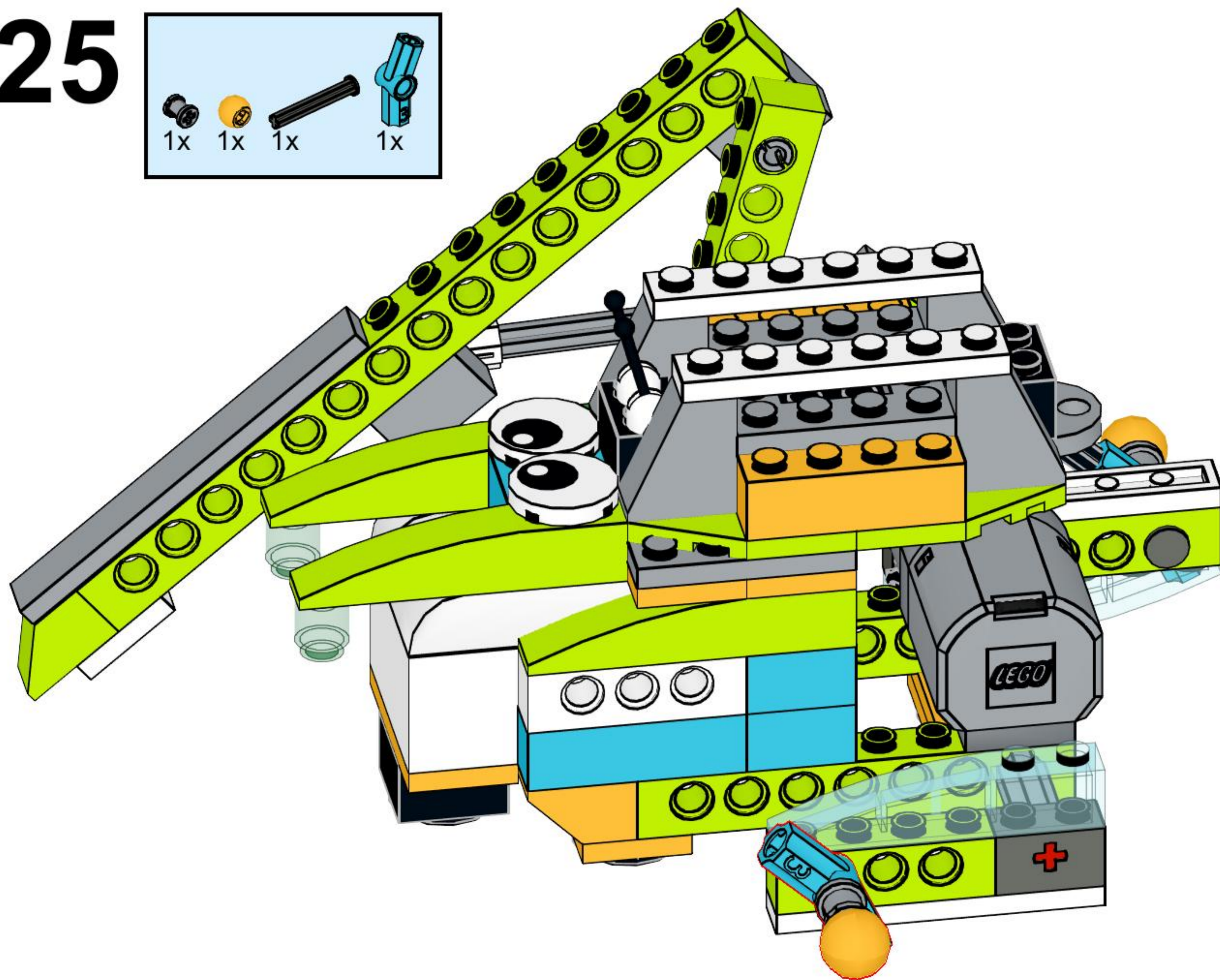
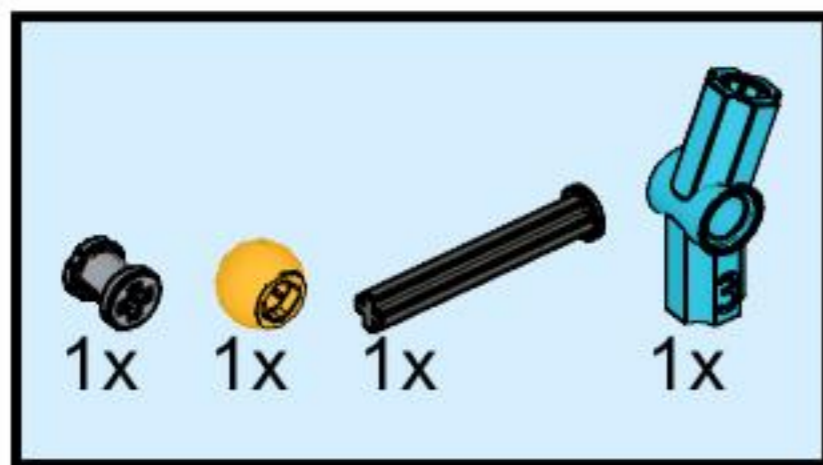


Attach the long green
brik to the frame at the
first hole

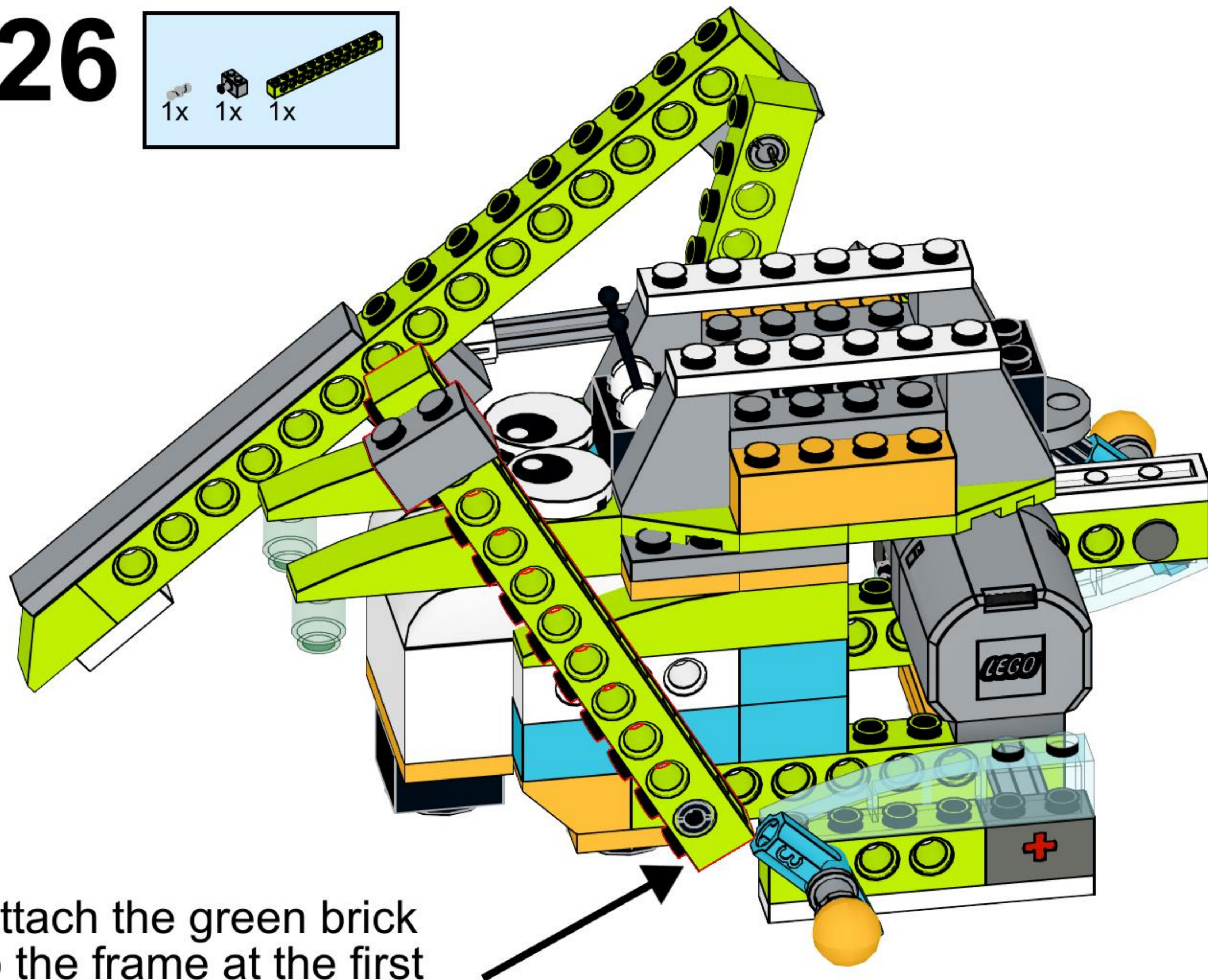
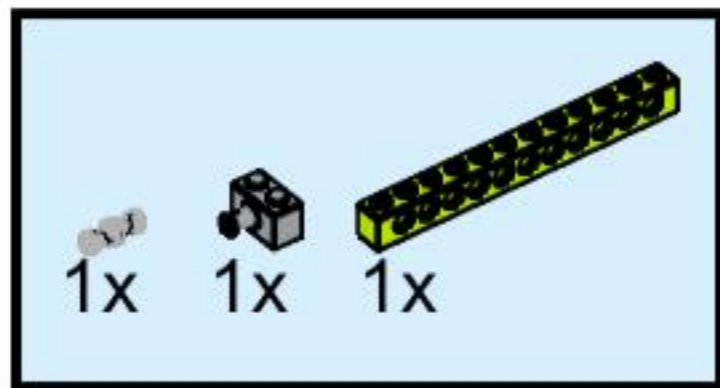
24



25

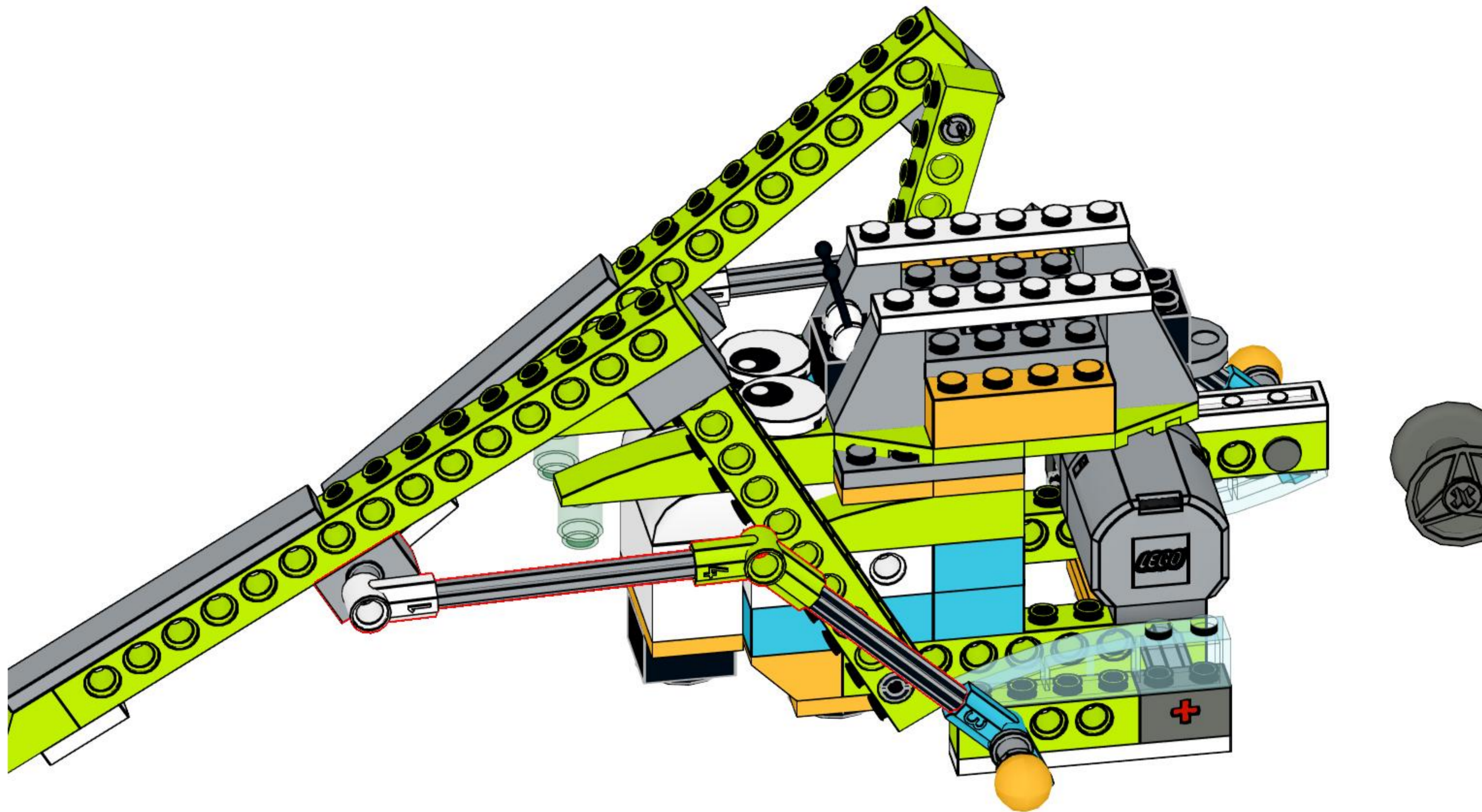
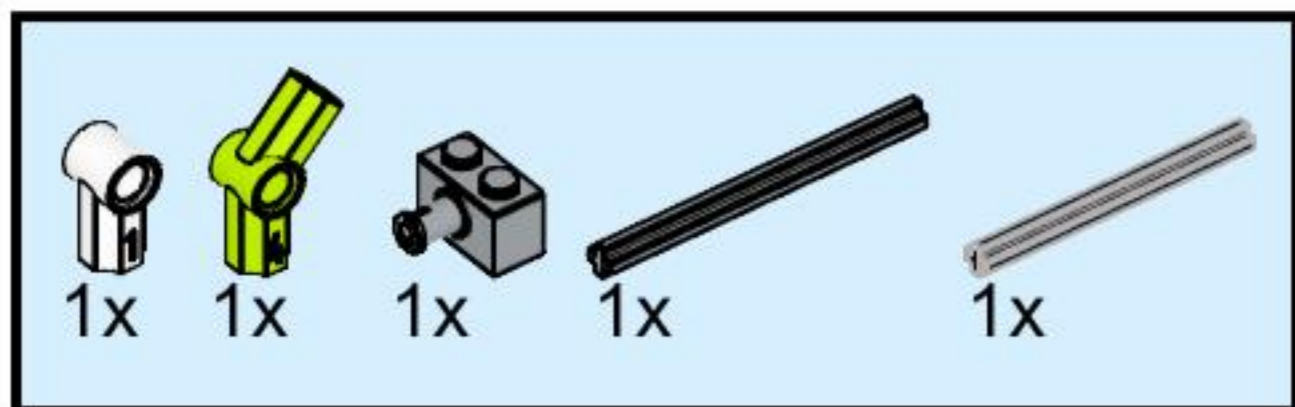


26

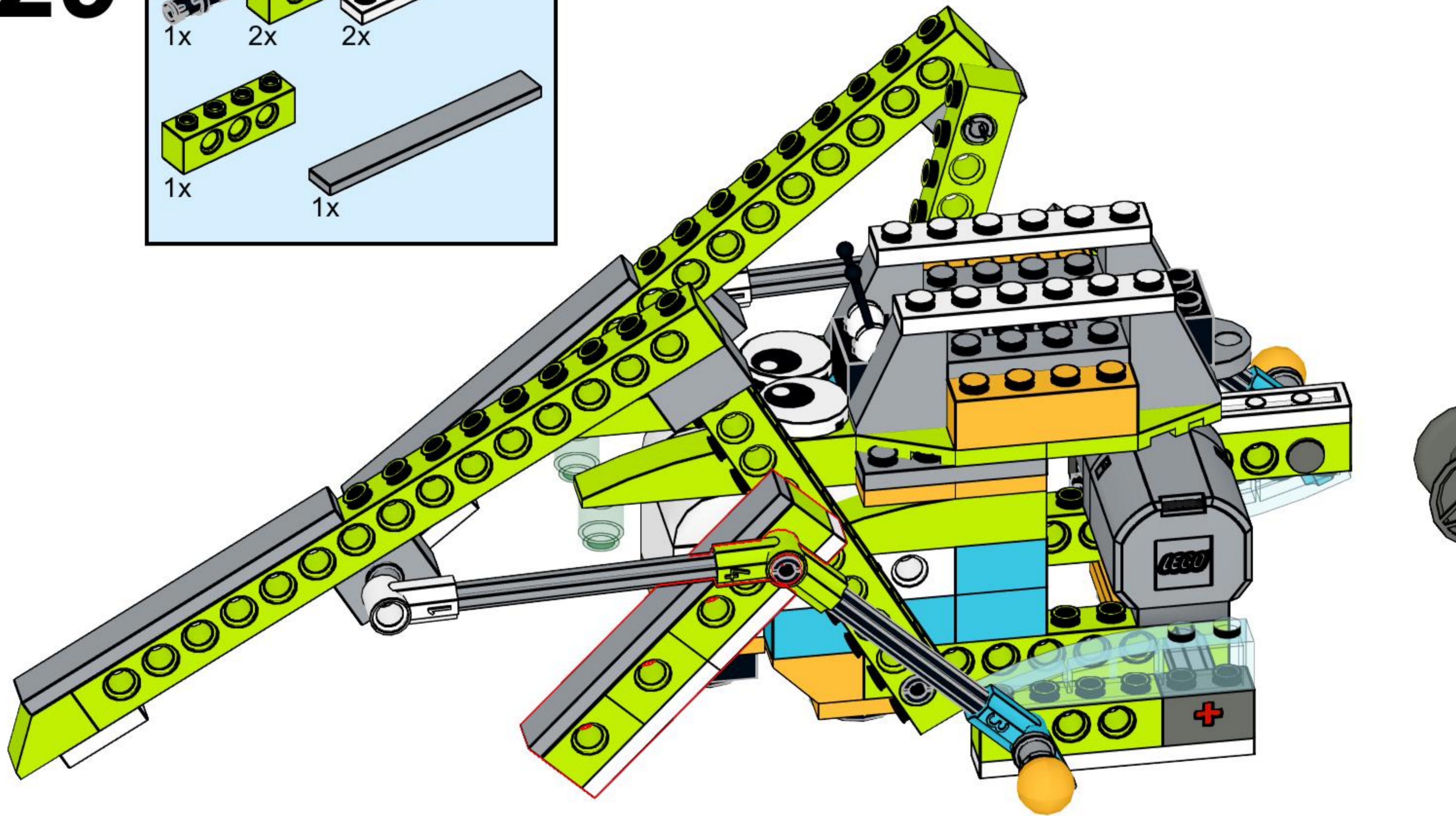
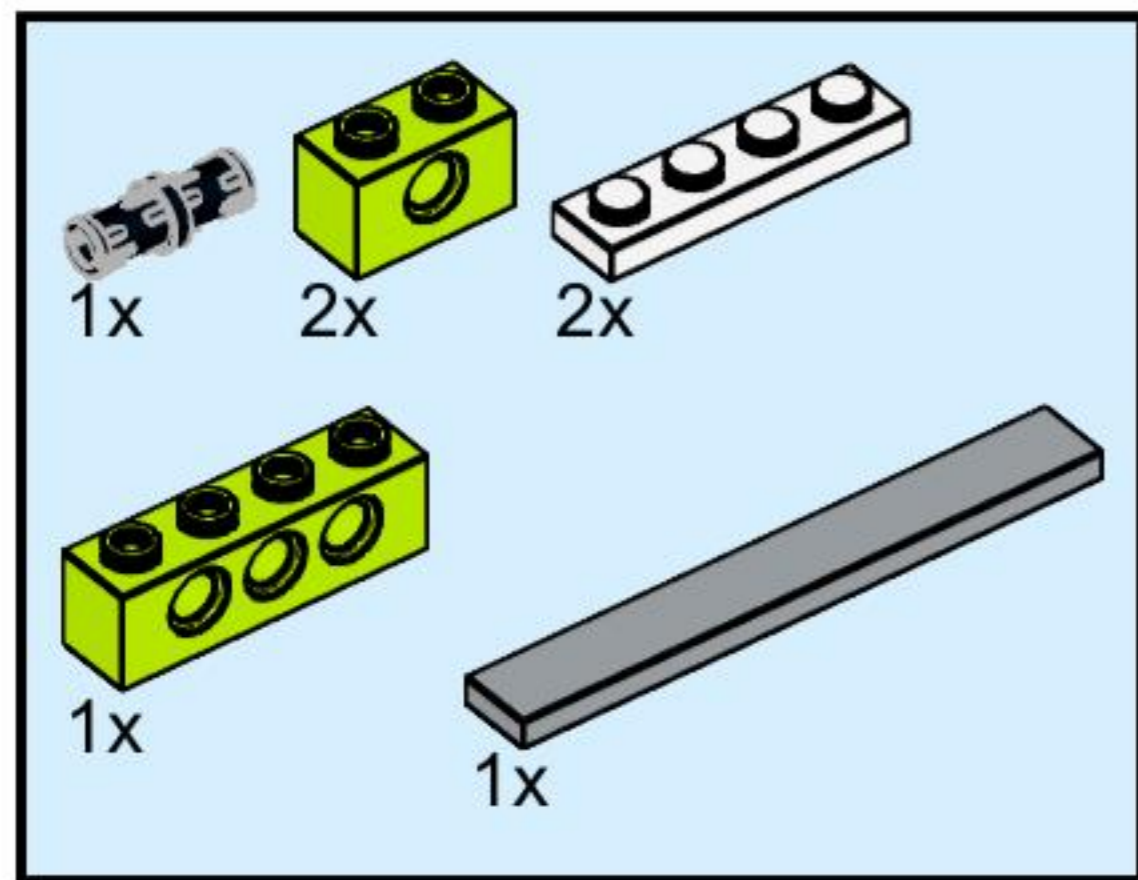


Attach the green brick to the frame at the first hole

28



29



List of materials:

 4x 2780, 11	 1x 32012, 85	 2x 44294, 86	 4x 3710, 1	 2x 3001, 110	 2x 32059, 34	 2x 3003, 156
 1x 32270, 11	 2x 87083, 85	 1x 21980, 86	 4x 3666, 1	 4x 32001, 110	 2x 3702, 34	 2x 32016, 156
 5x 2654, 11	 3x 3713, 86	 4x 4162, 86	 1x 19071c01, 1	 2x 3040, 34	 2x 3895, 34	 2x 3010, 156
 4x 3003, 11	 1x 6538c, 86	 2x 3023, 1	 2x 32062, 5	 4x 3700, 34	 2x 32192, 34	 2x 3062b, 20
 1x 32269, 11	 4x 2458, 86	 2x 32013, 1	 2x 32474, 110	 2x 32192, 34	 2x 3703, 34	 2x 42022, 15
 2x 3706, 11	 4x 60481, 86	 2x 4592c02, 1	 2x 3665, 110	 4x 3701, 34	 1x 3738, 36	
 1x 3737, 11	 1x 3176, 86	 2x 14769pb001, 86	 2x 3709b, 110	 4x 42022, 34	 4x 3004, 156	
 2x 32064, 85	 2x 64799, 86					

Program example:

