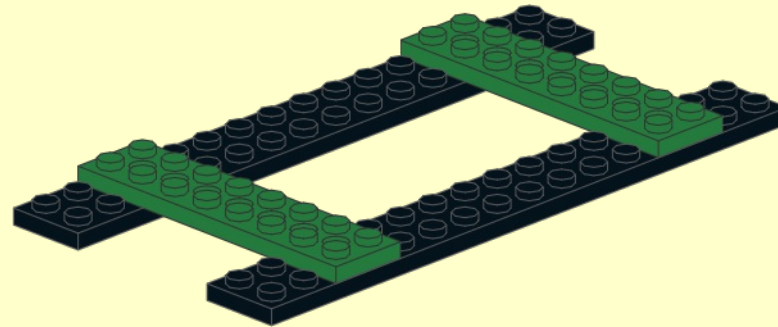
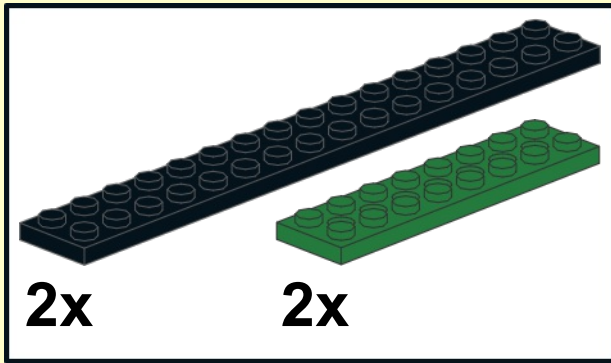
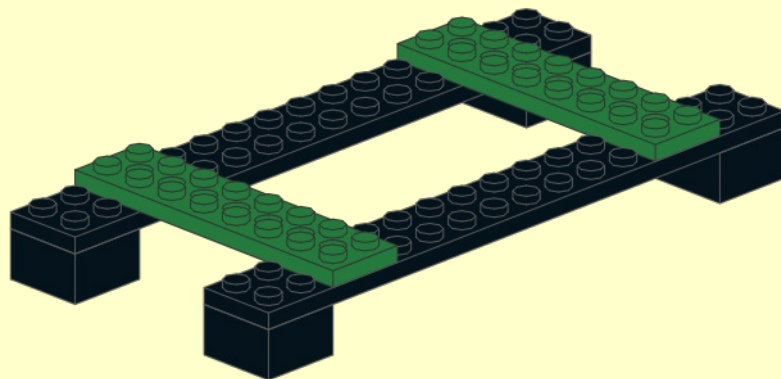


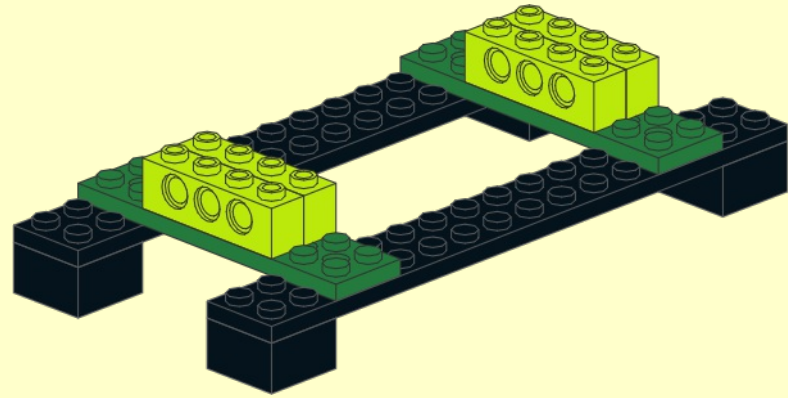
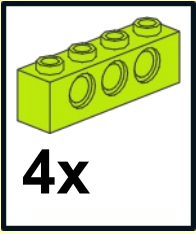
1



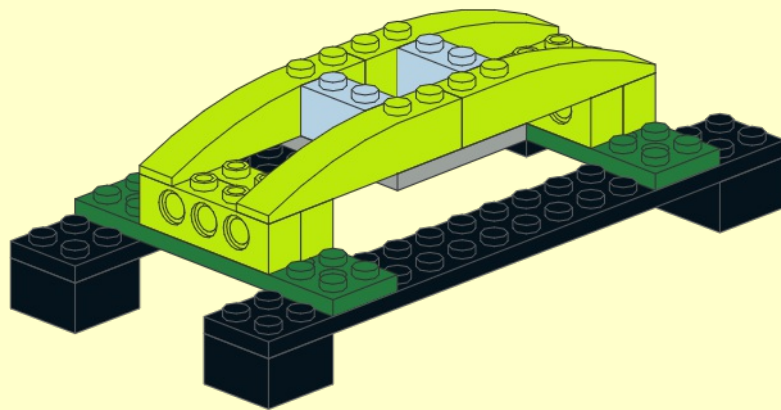
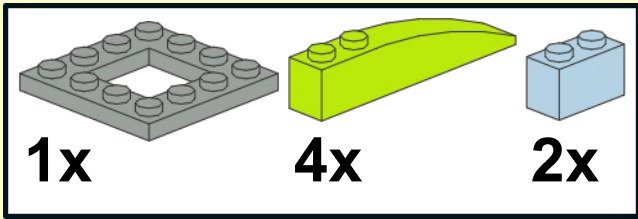
2



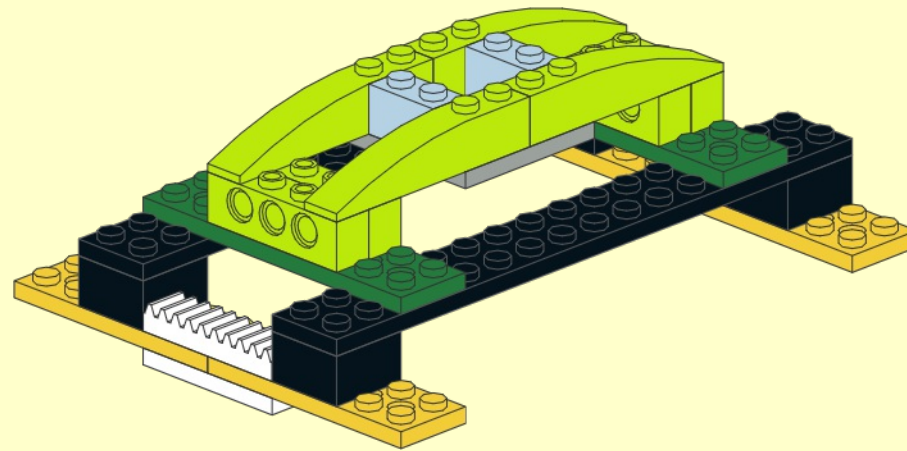
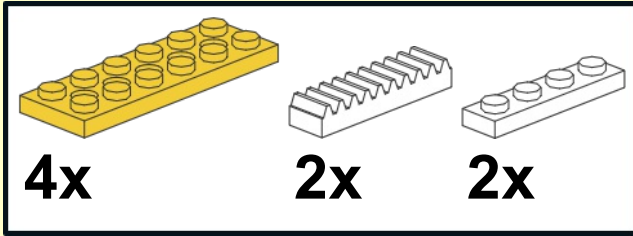
3



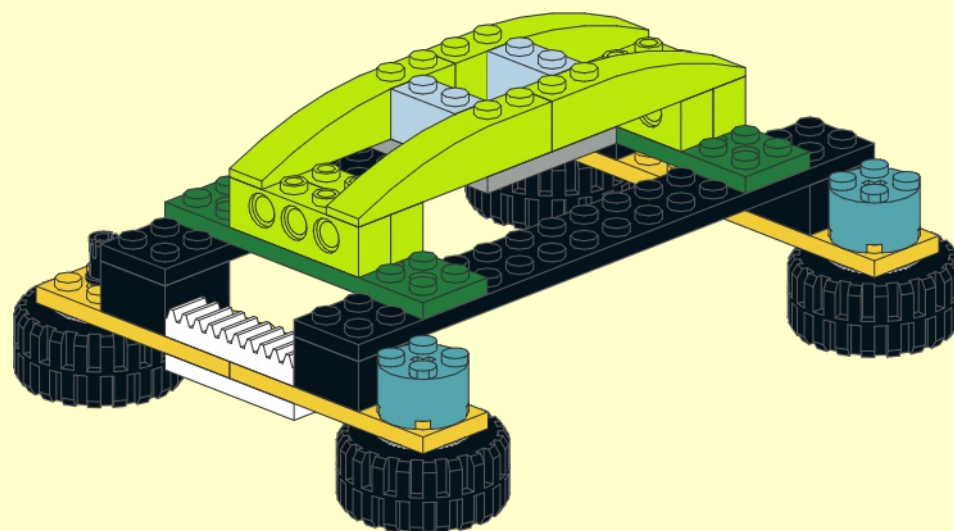
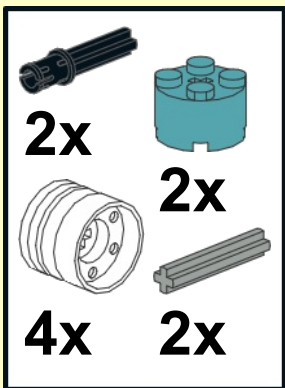
4



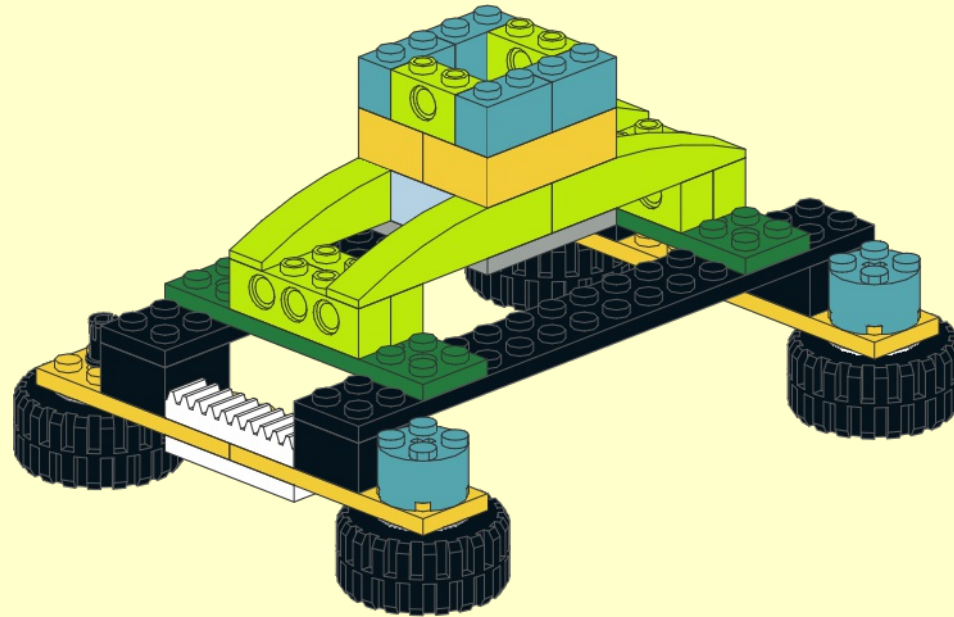
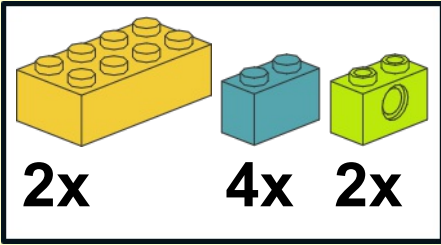
5



6

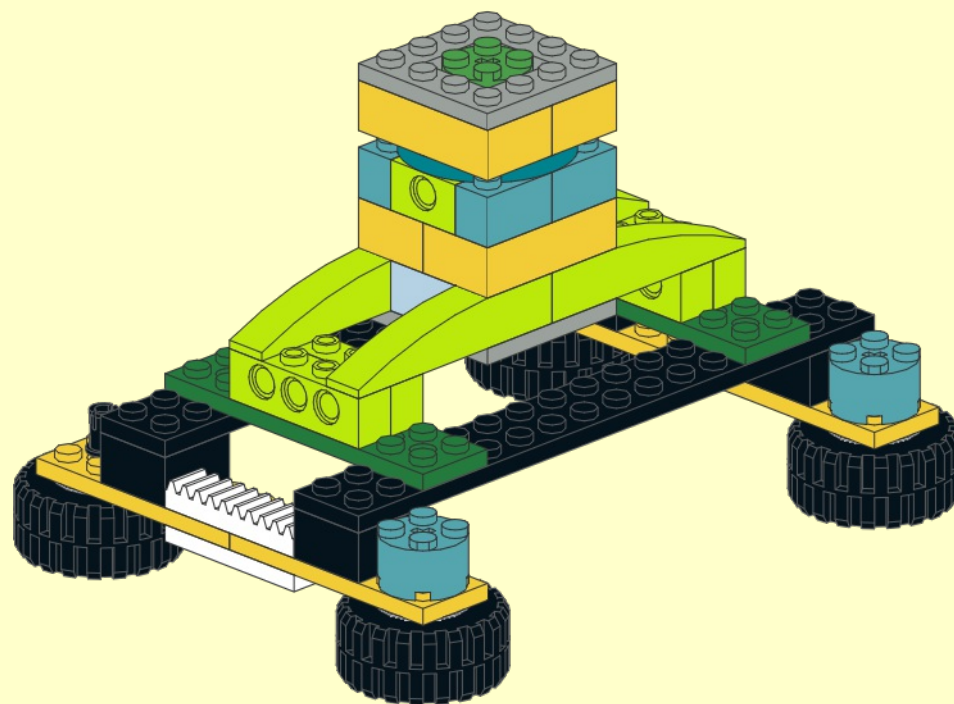
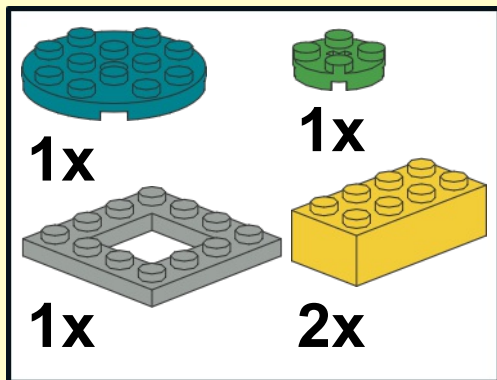


7

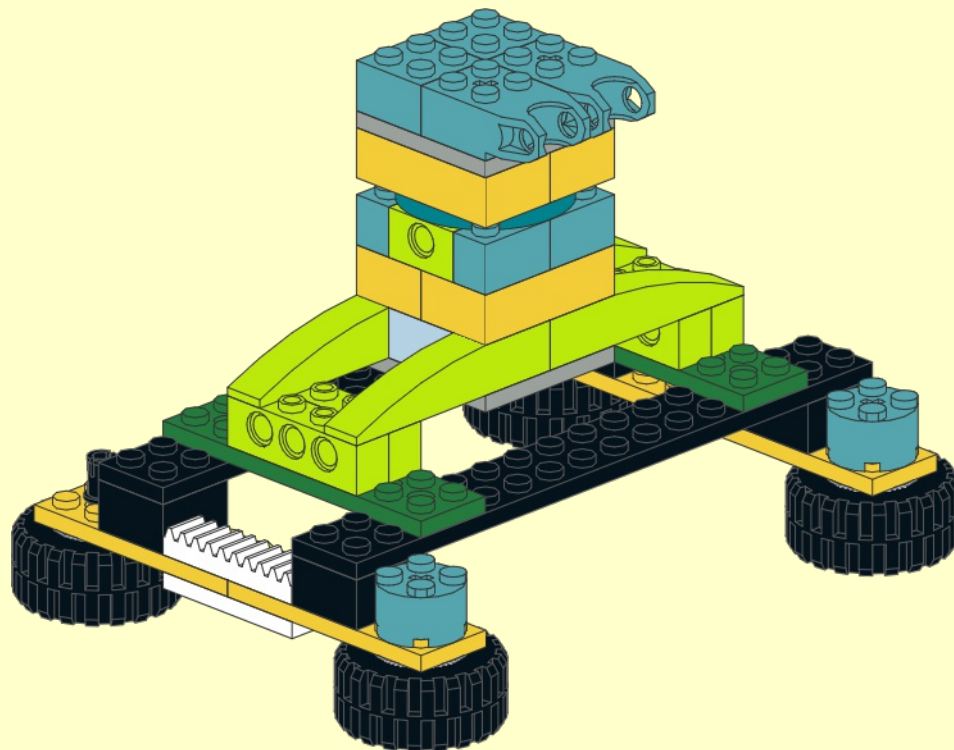
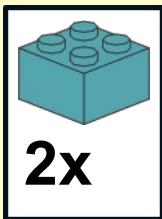





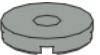
8

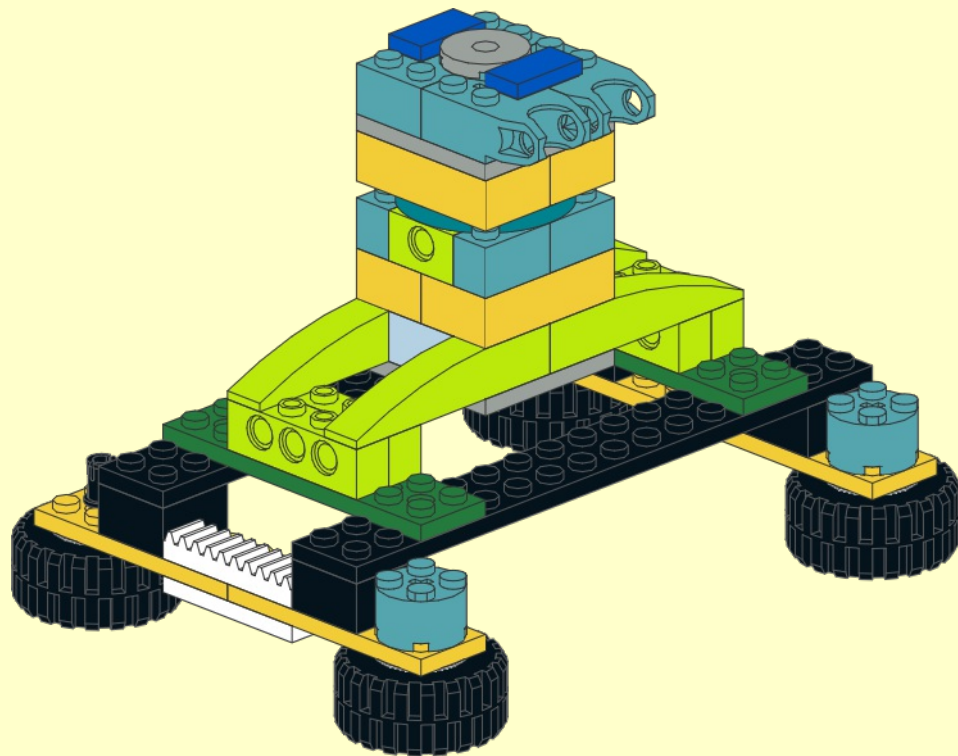


9

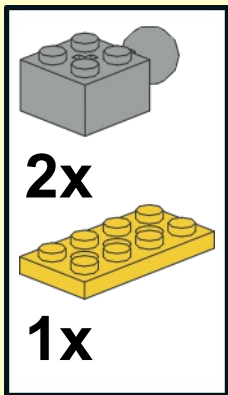


10

	
2x	1x



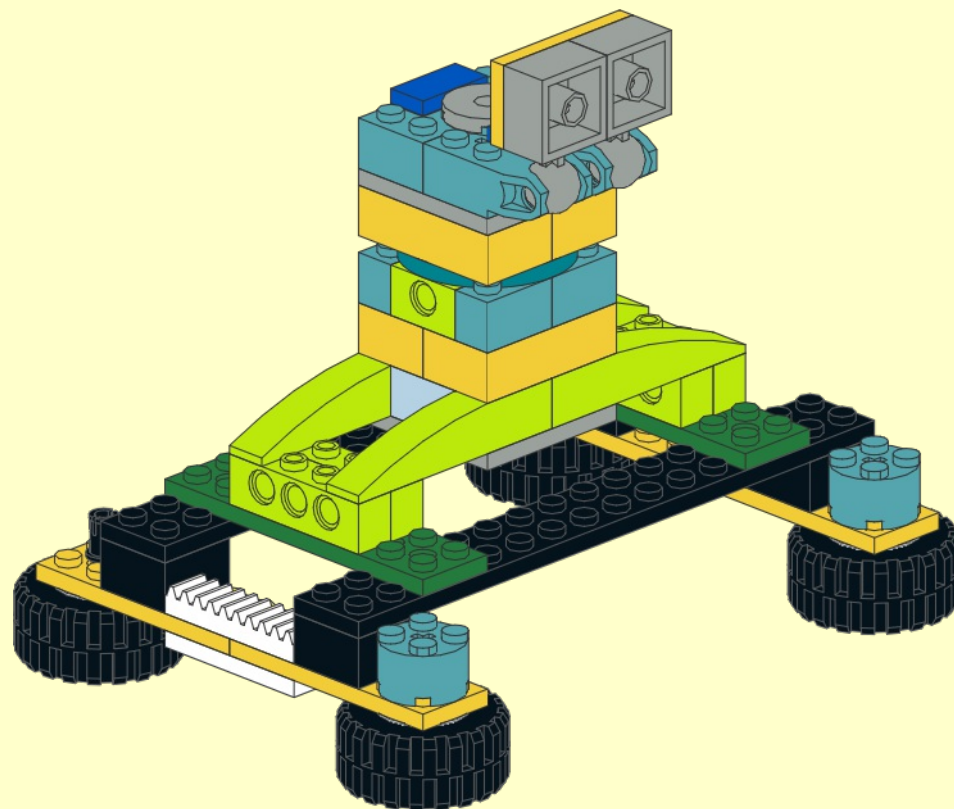
11



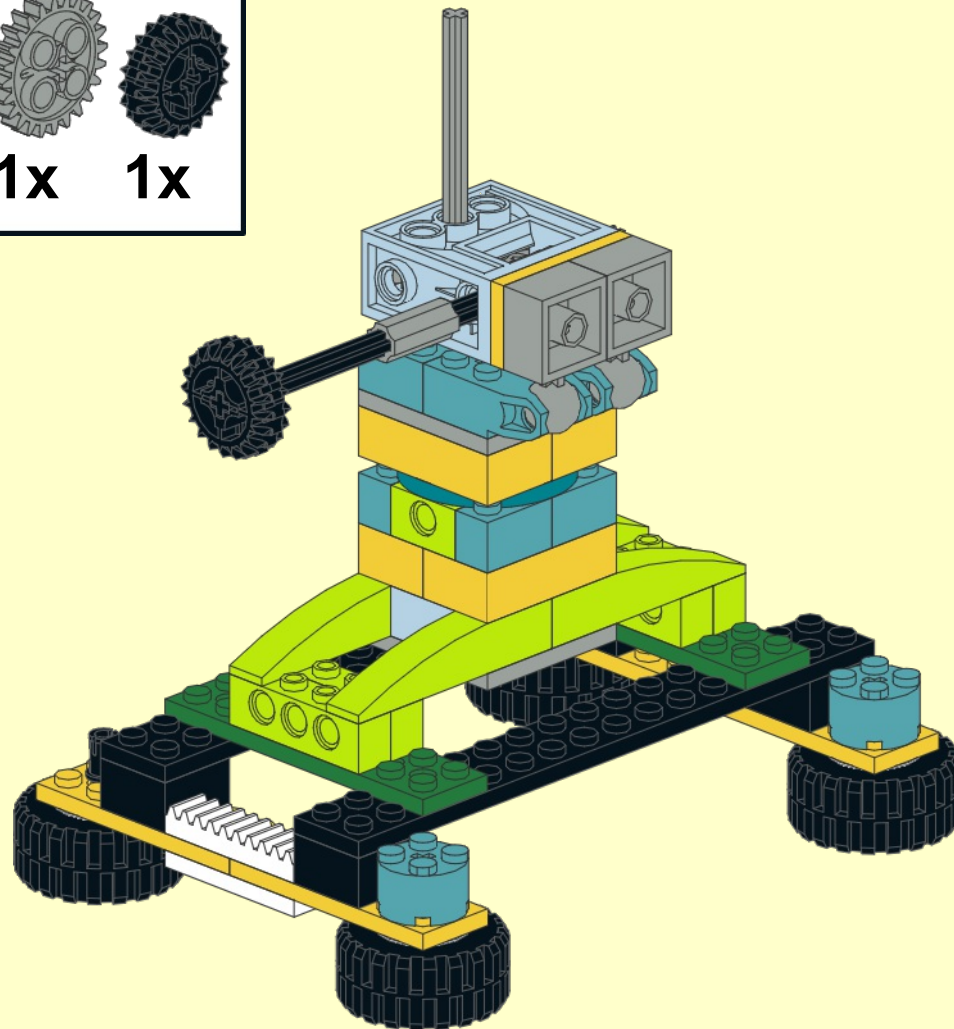
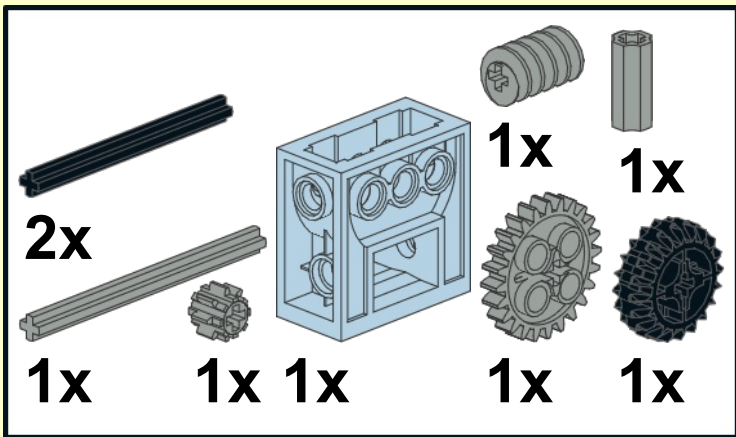
2x

1x

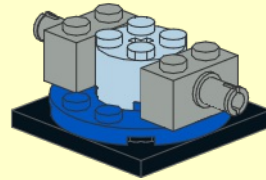
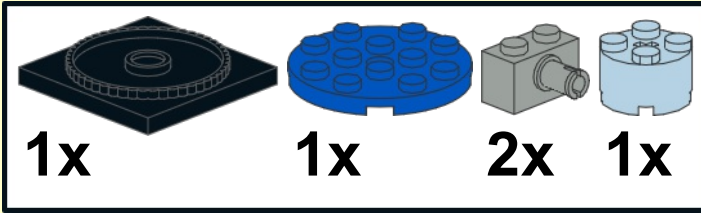
The parts list shows a grey 1x3 brick with a hole and a grey 1x3 brick with a hole, and a yellow 1x6 plate with 6 holes.



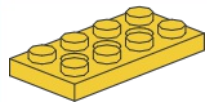
# 12



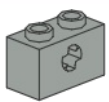
1



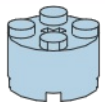
2



2x



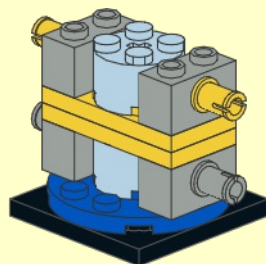
2x



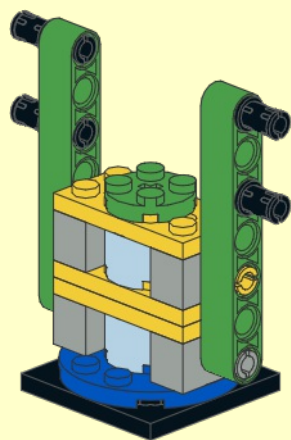
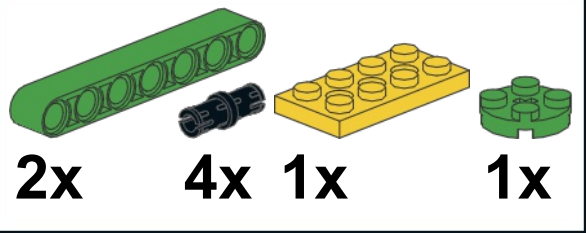
1x



2x

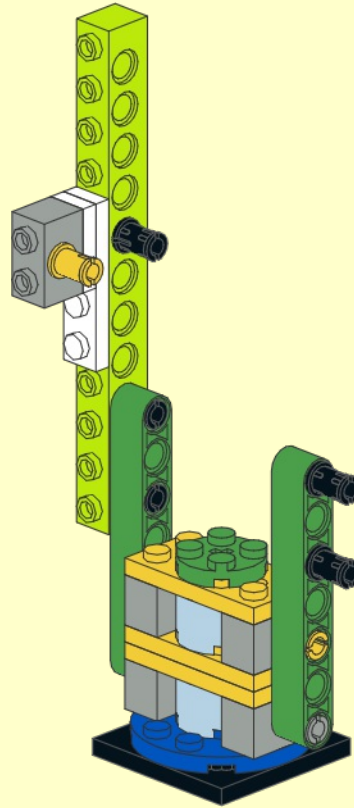
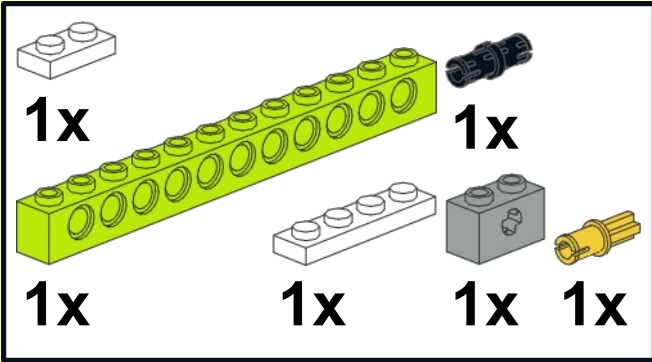


3

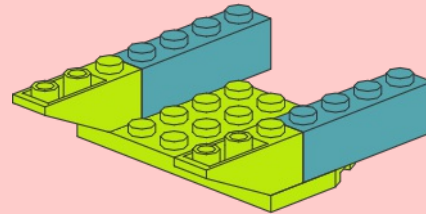
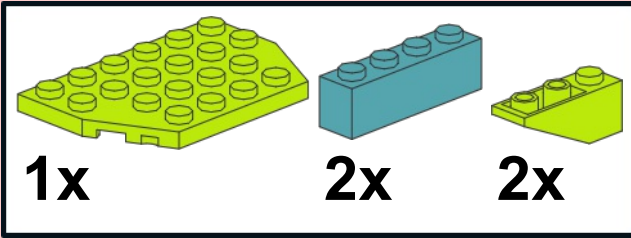




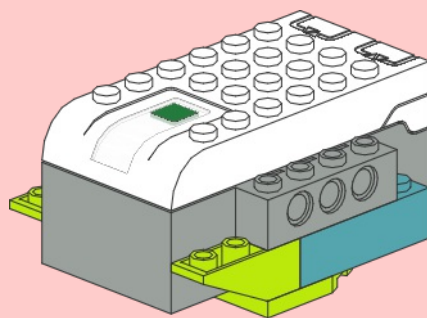
4



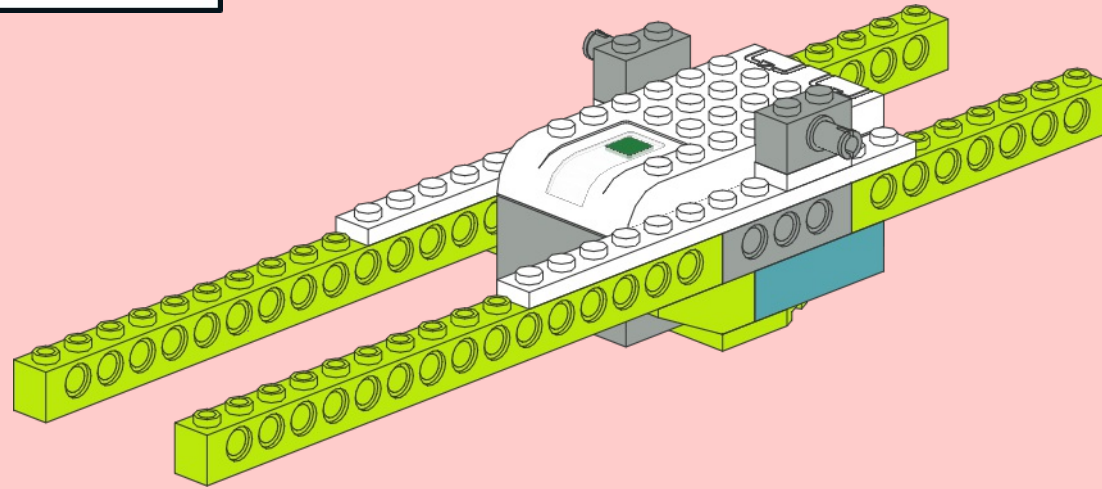
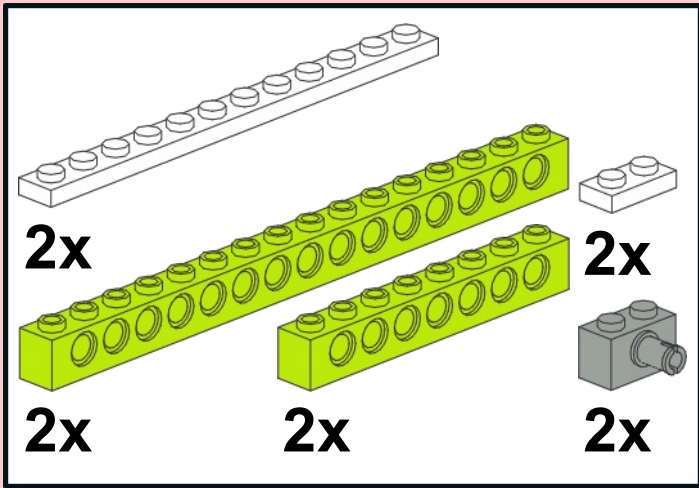
1



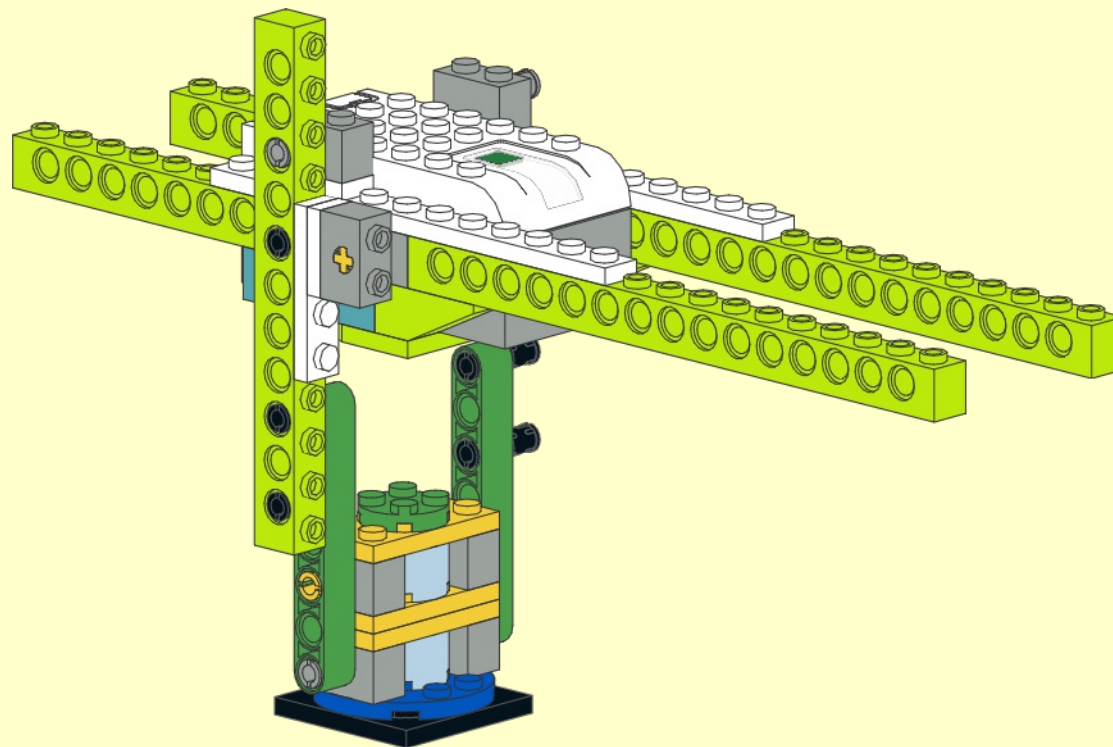
2



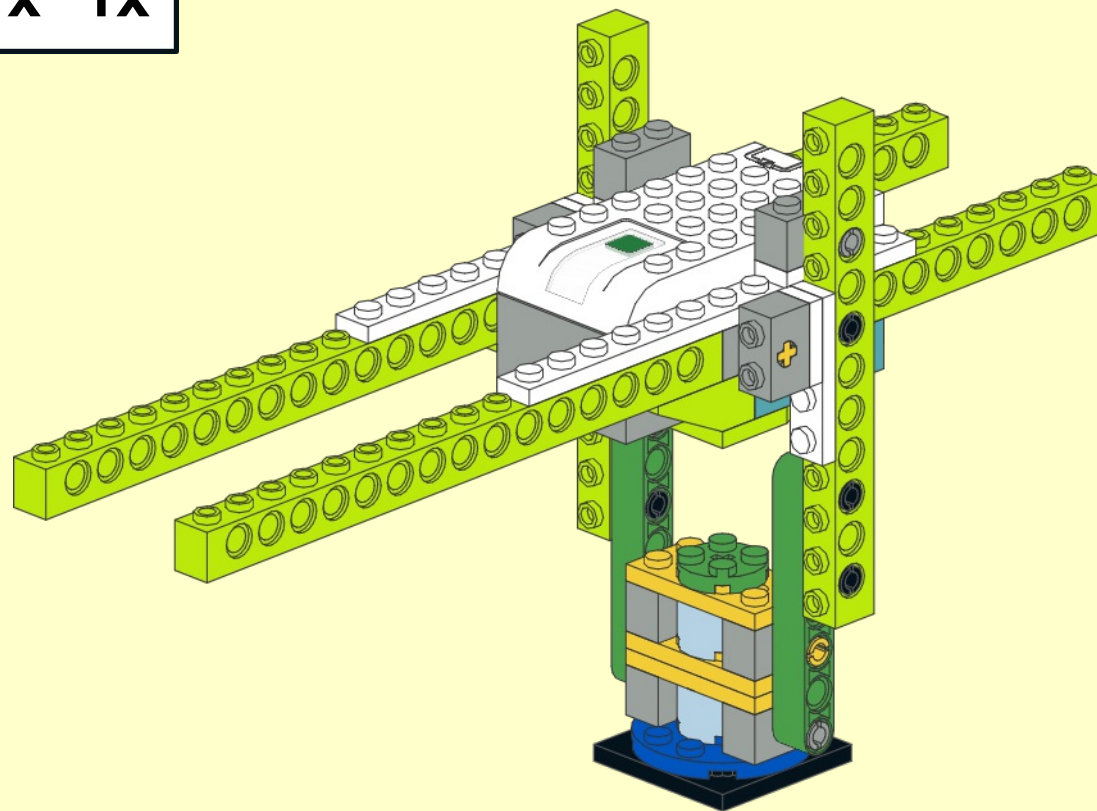
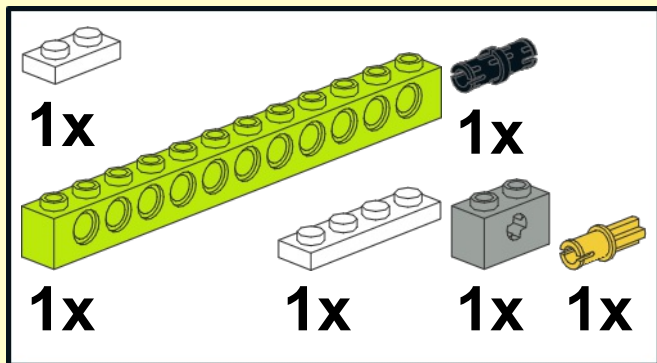
**3**



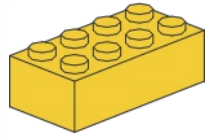
5



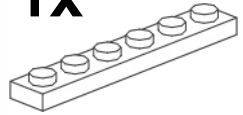
6



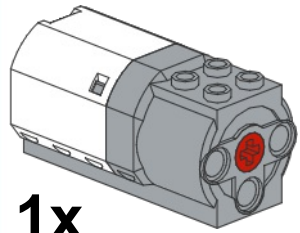
7



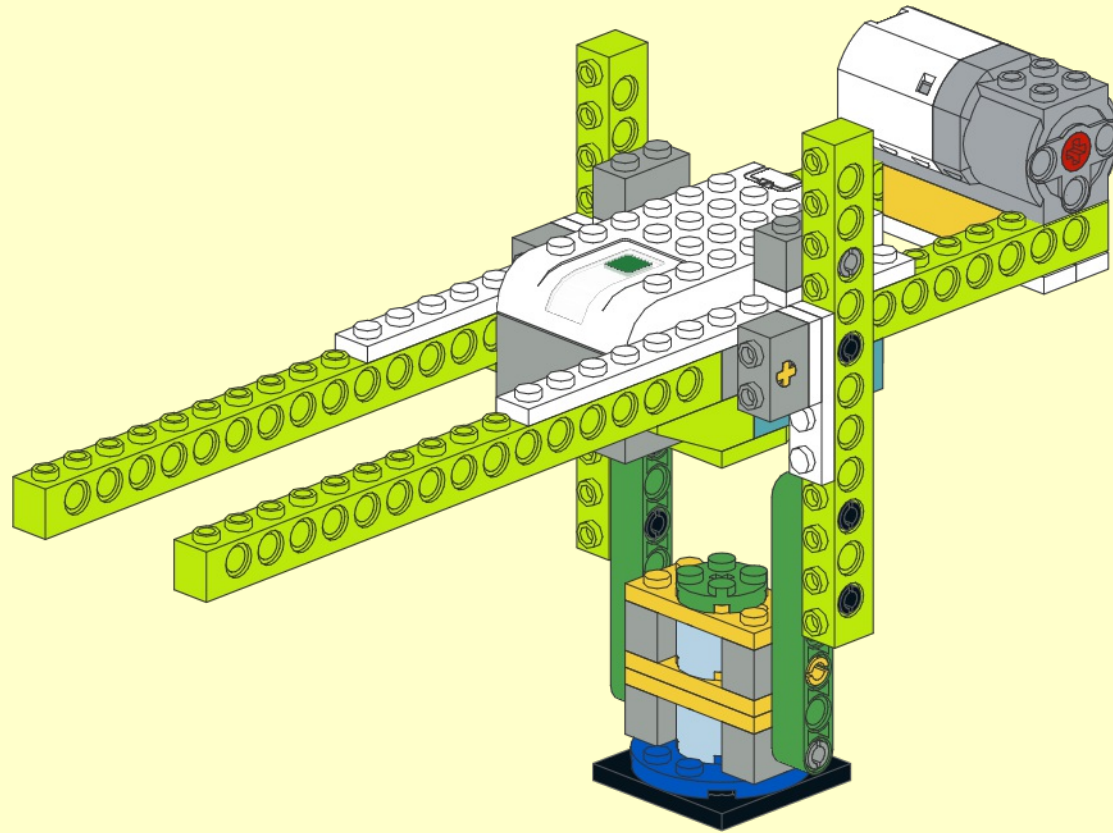
1x



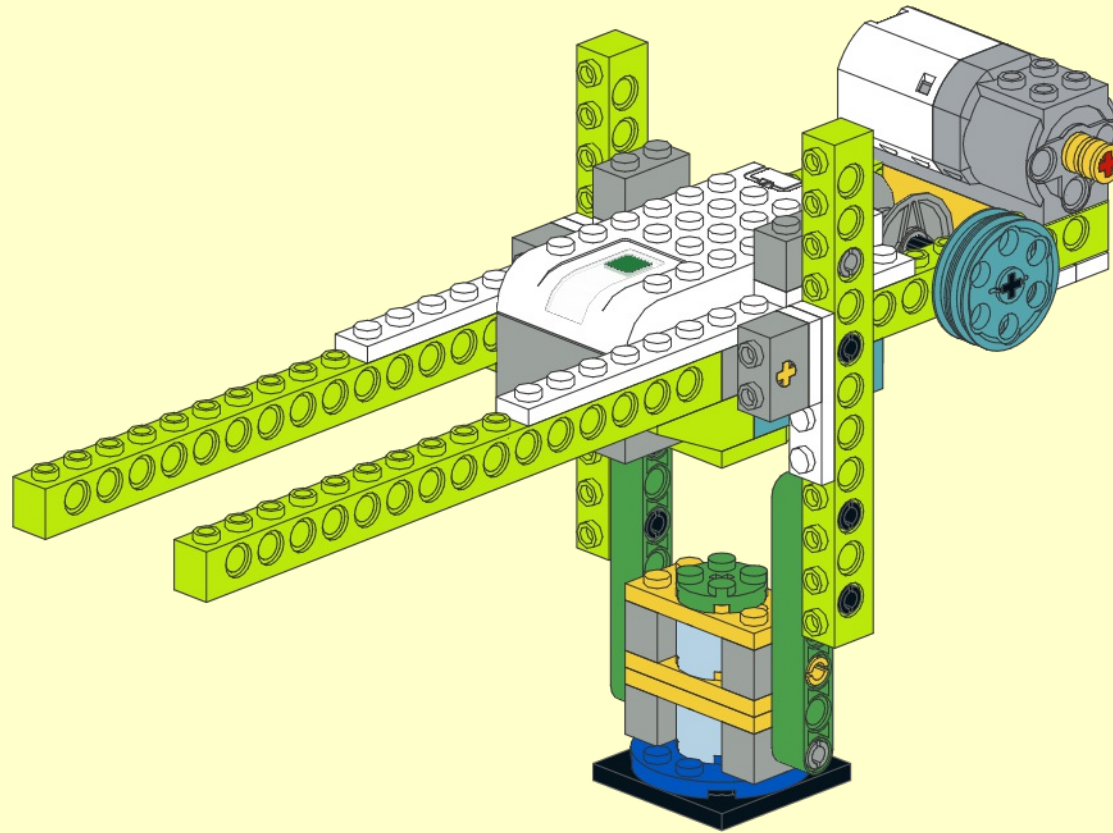
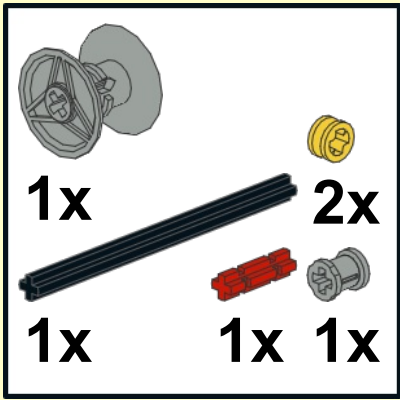
2x



1x

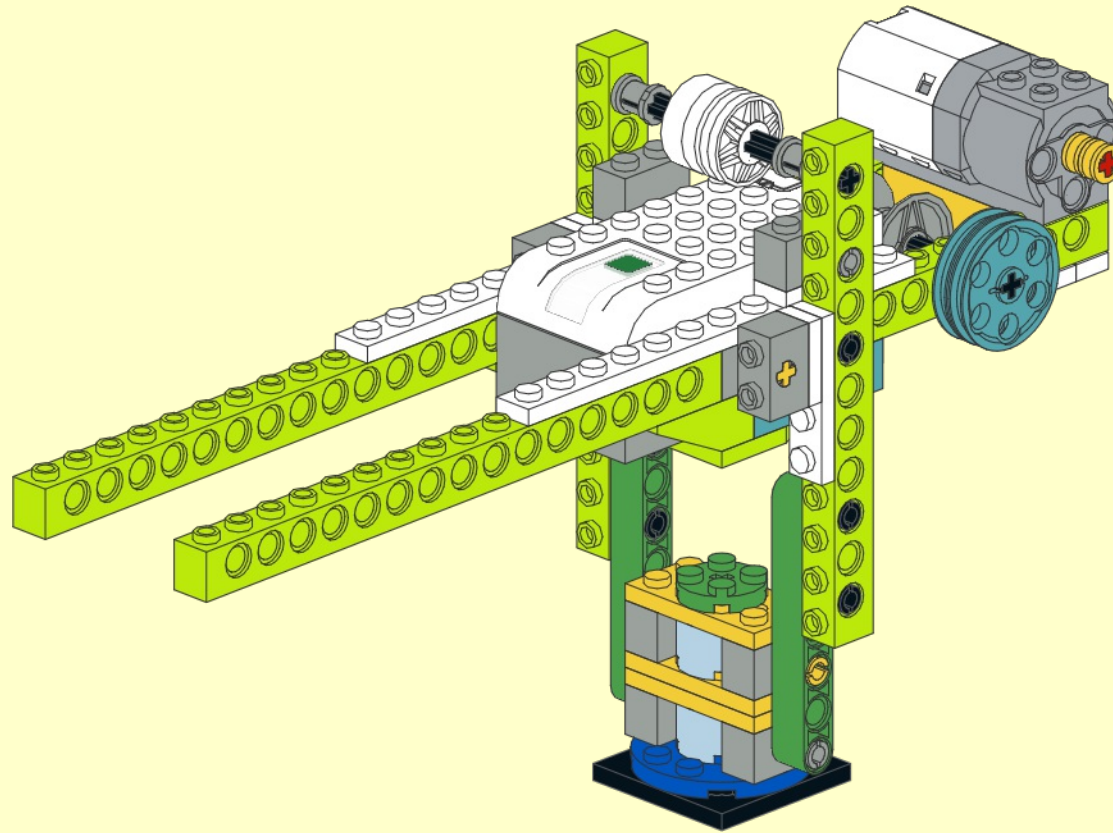
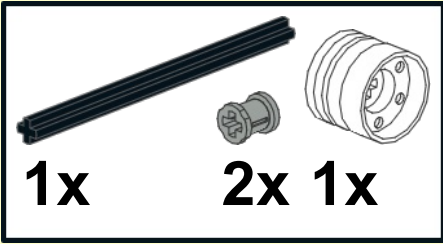


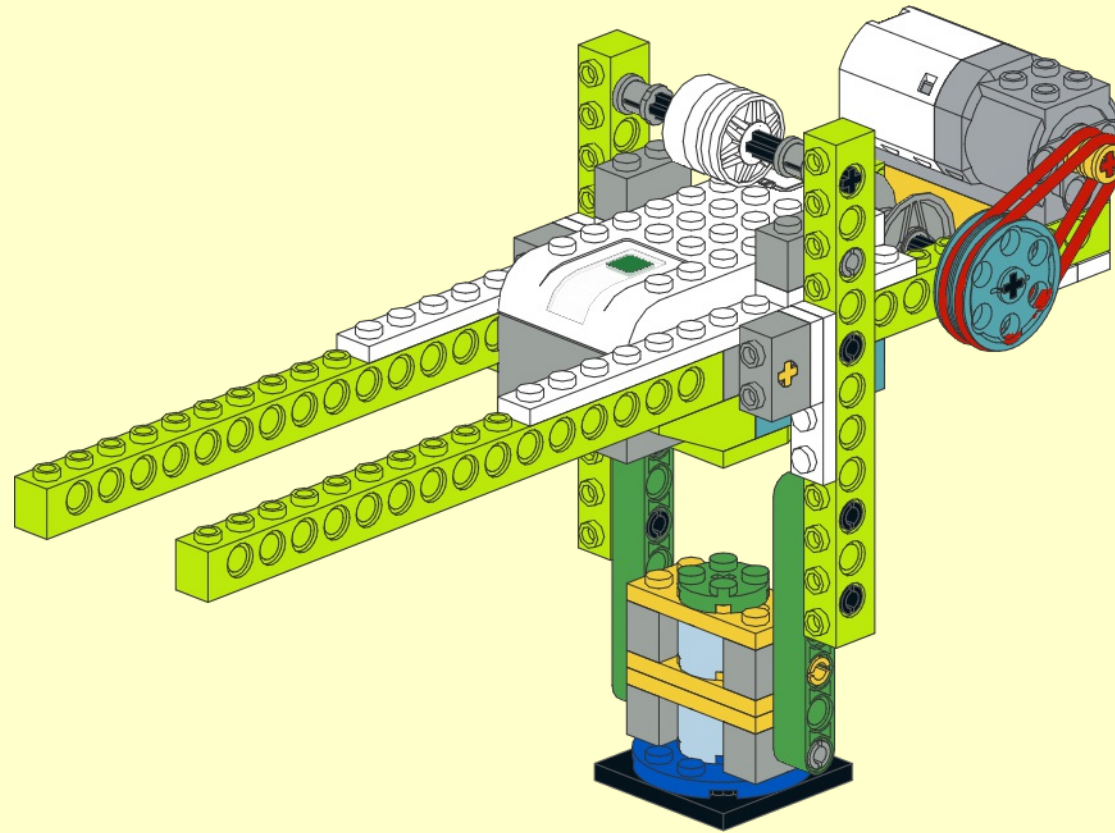
8





9





11

