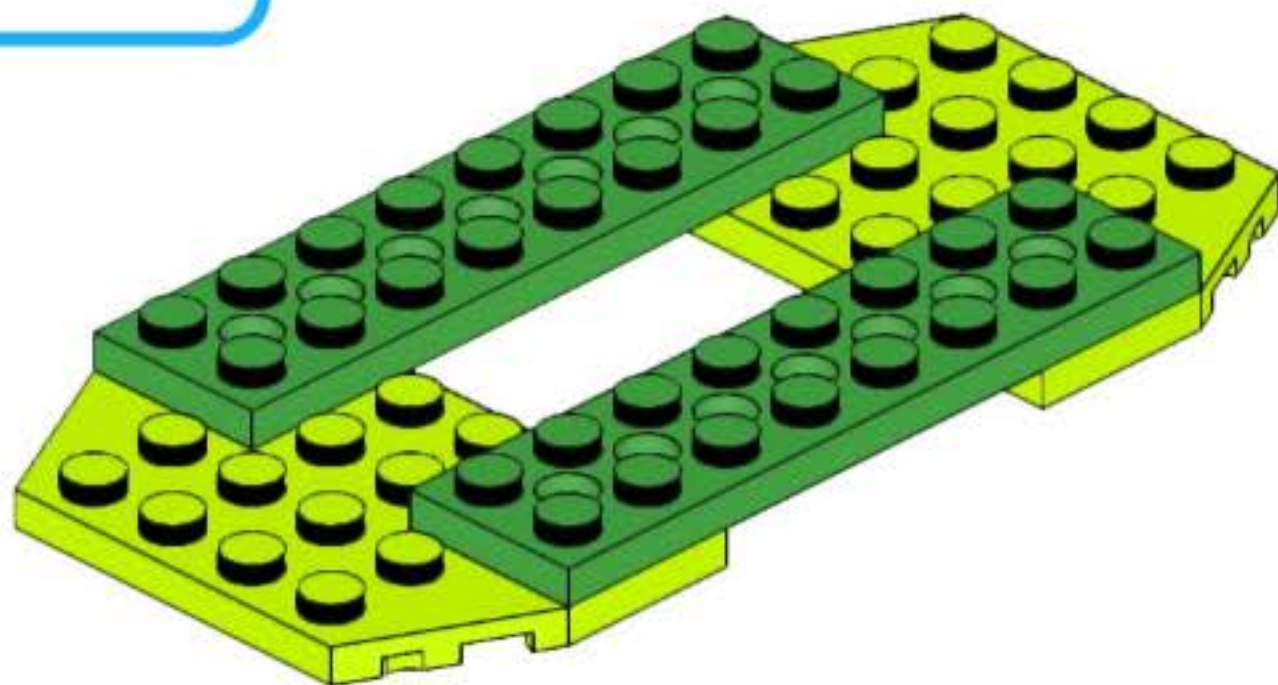
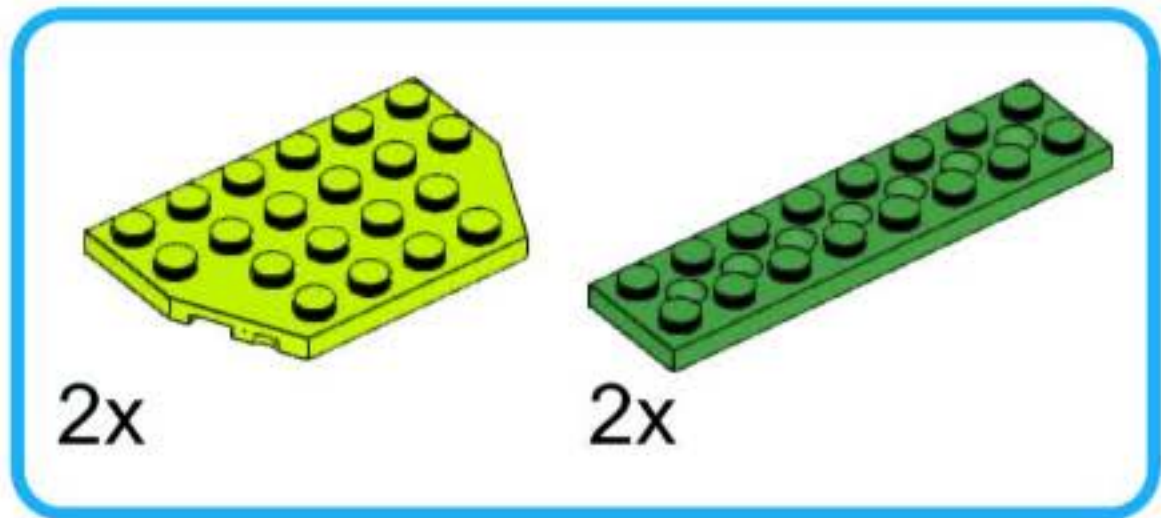


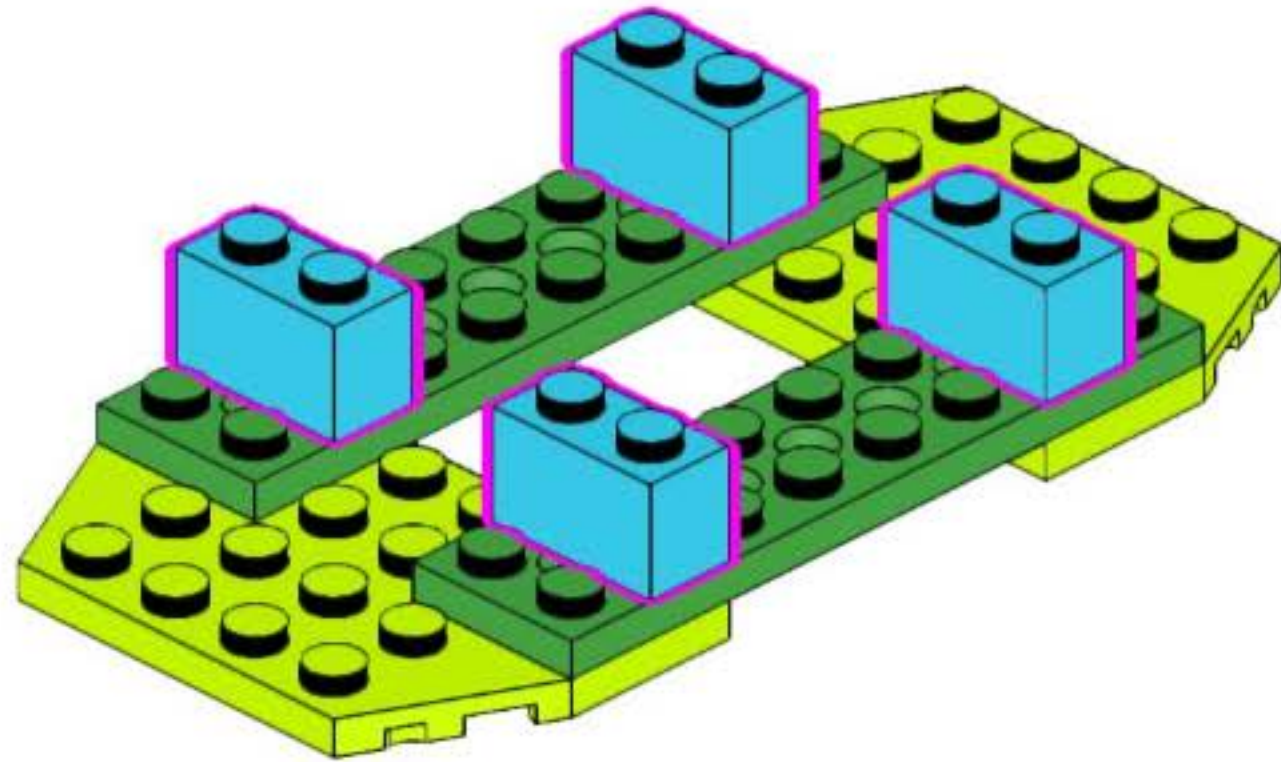
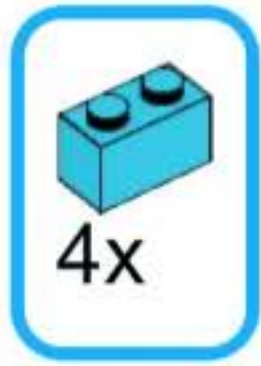
Ganz crane robot
unofficial building instruction

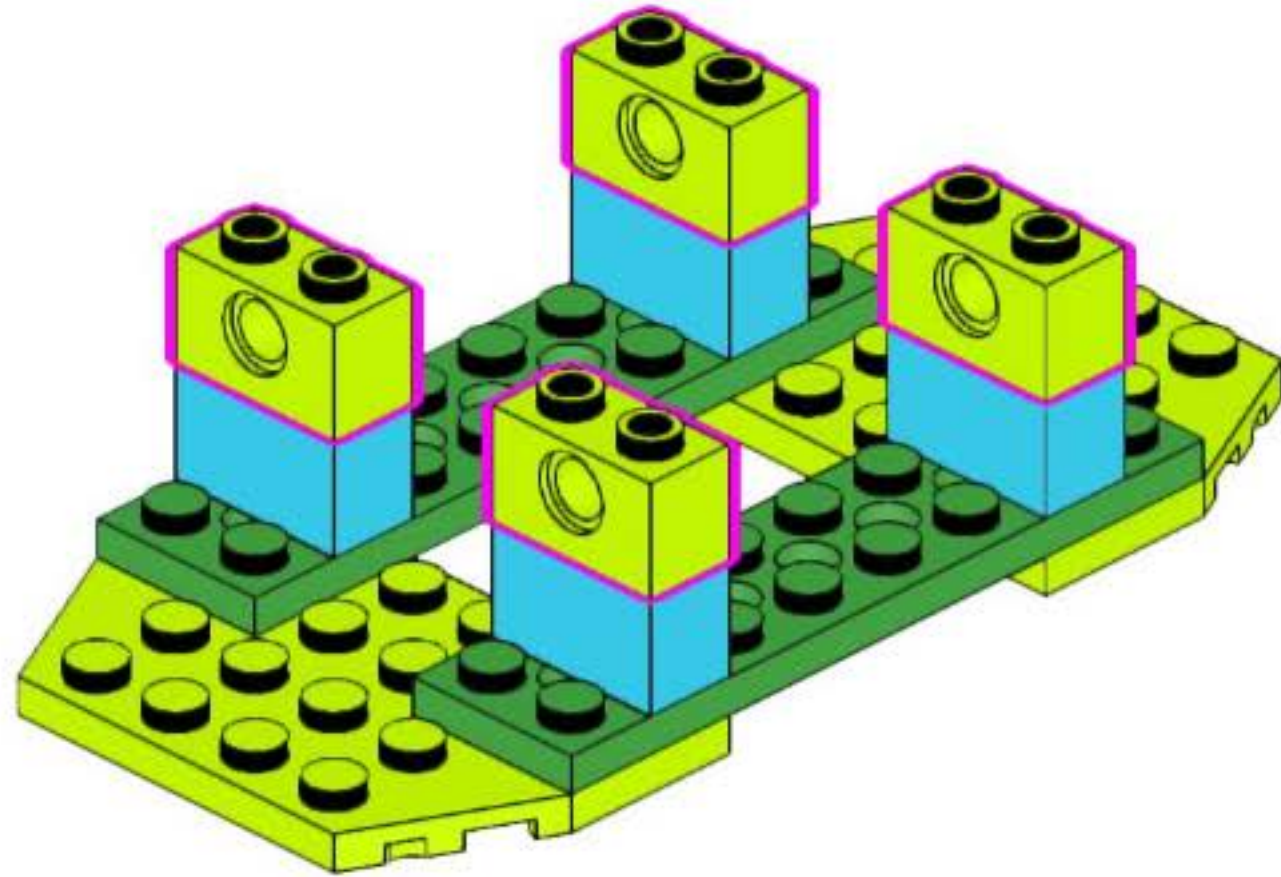
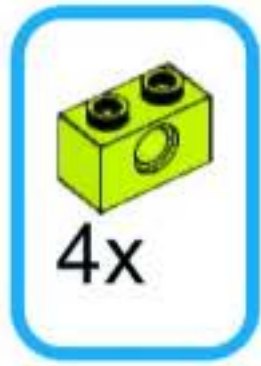


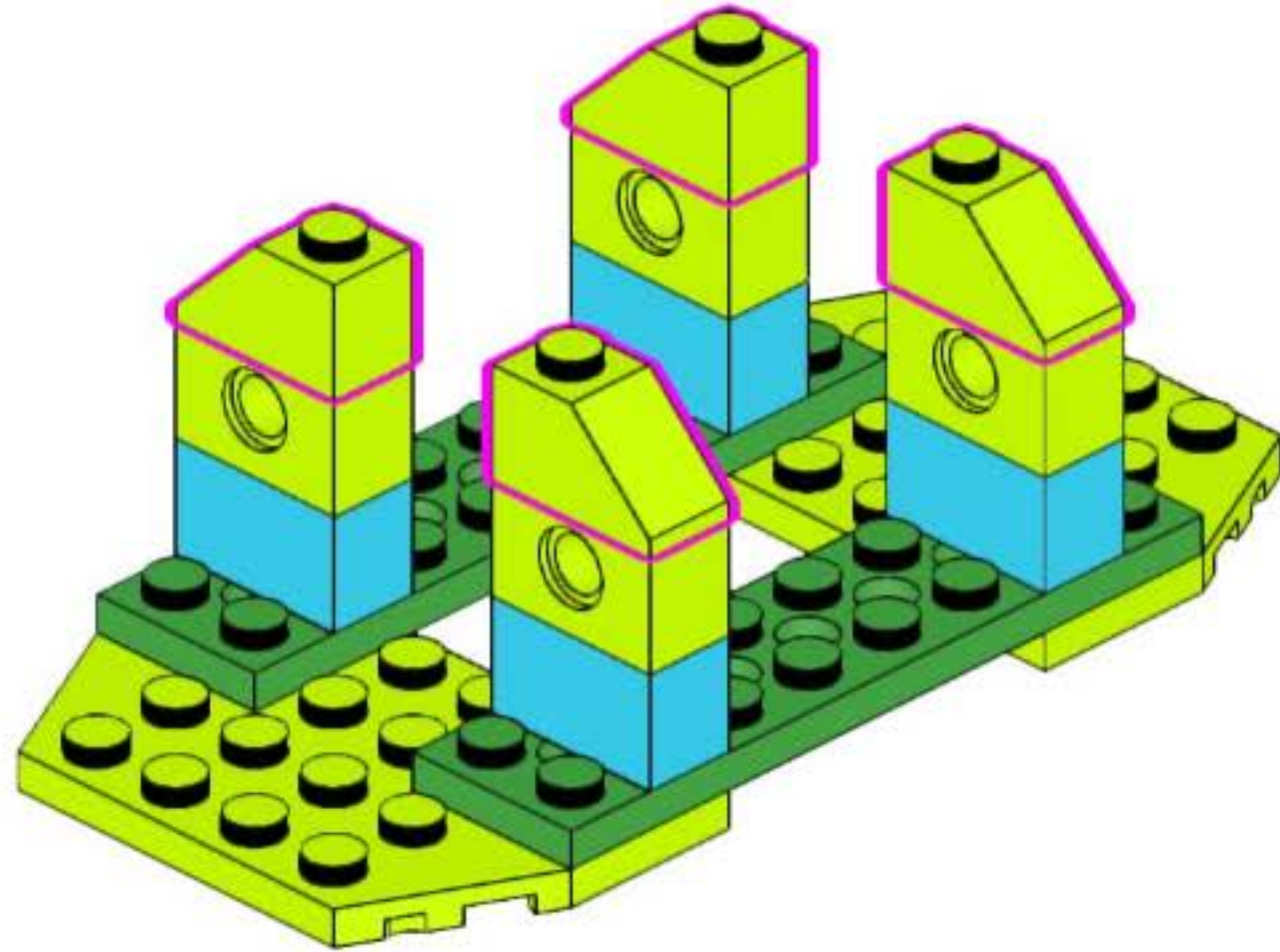
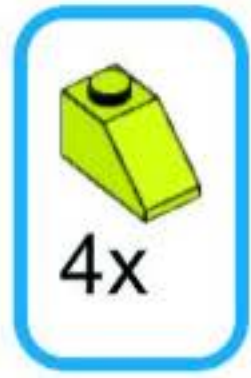
Ganz crane

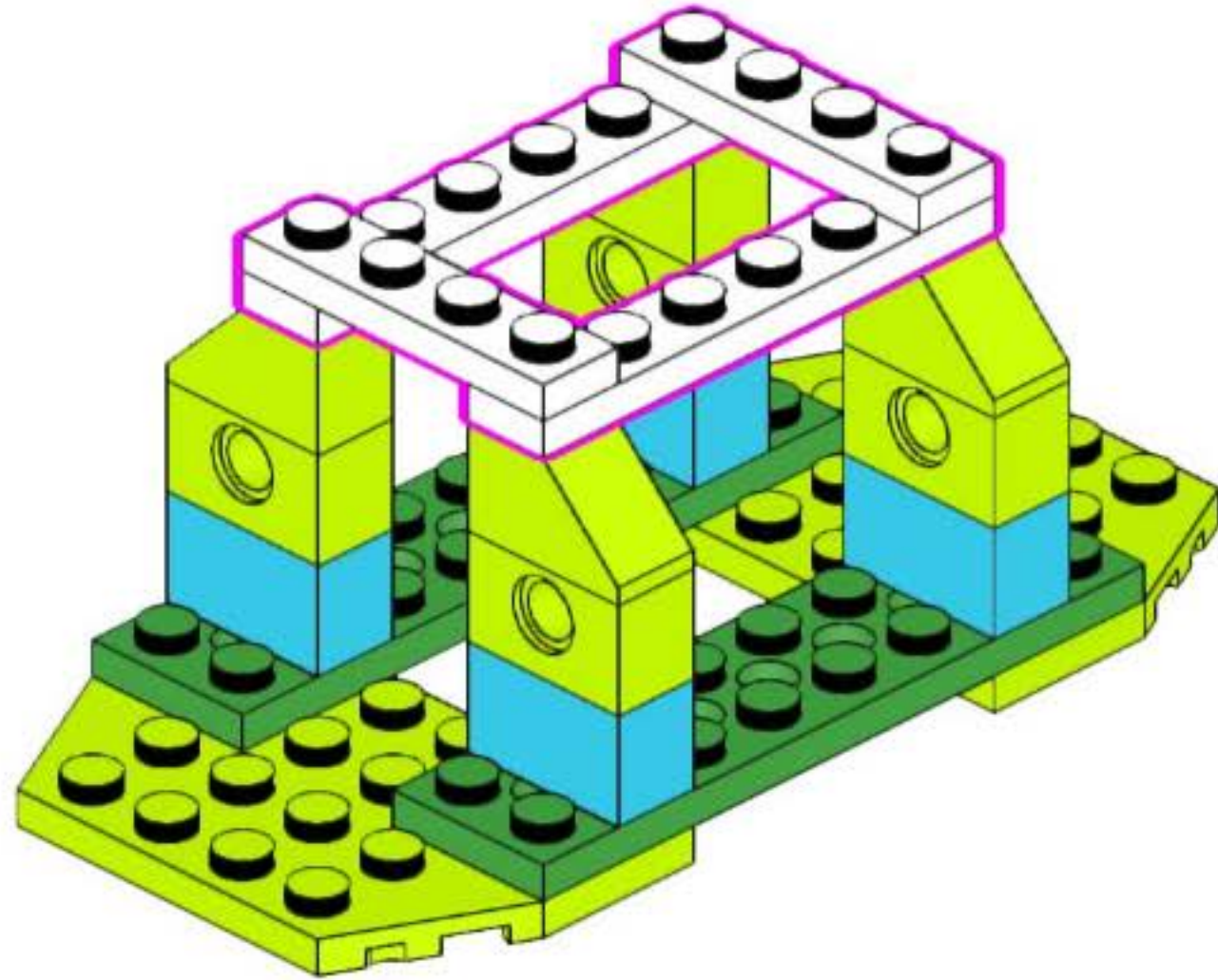
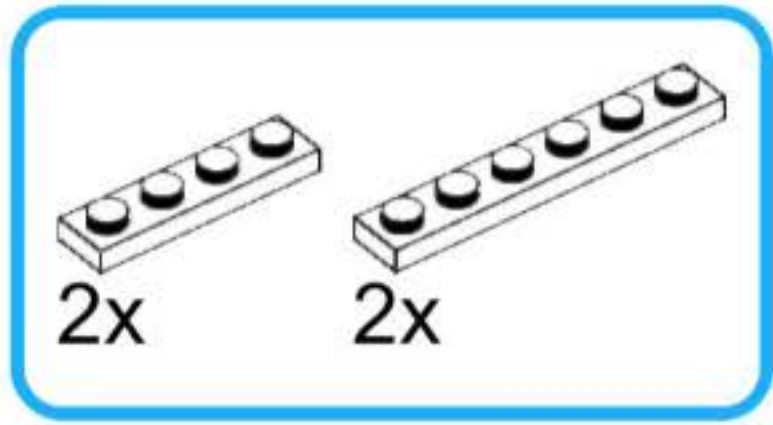
for Lego® WeDo 2.0
45300

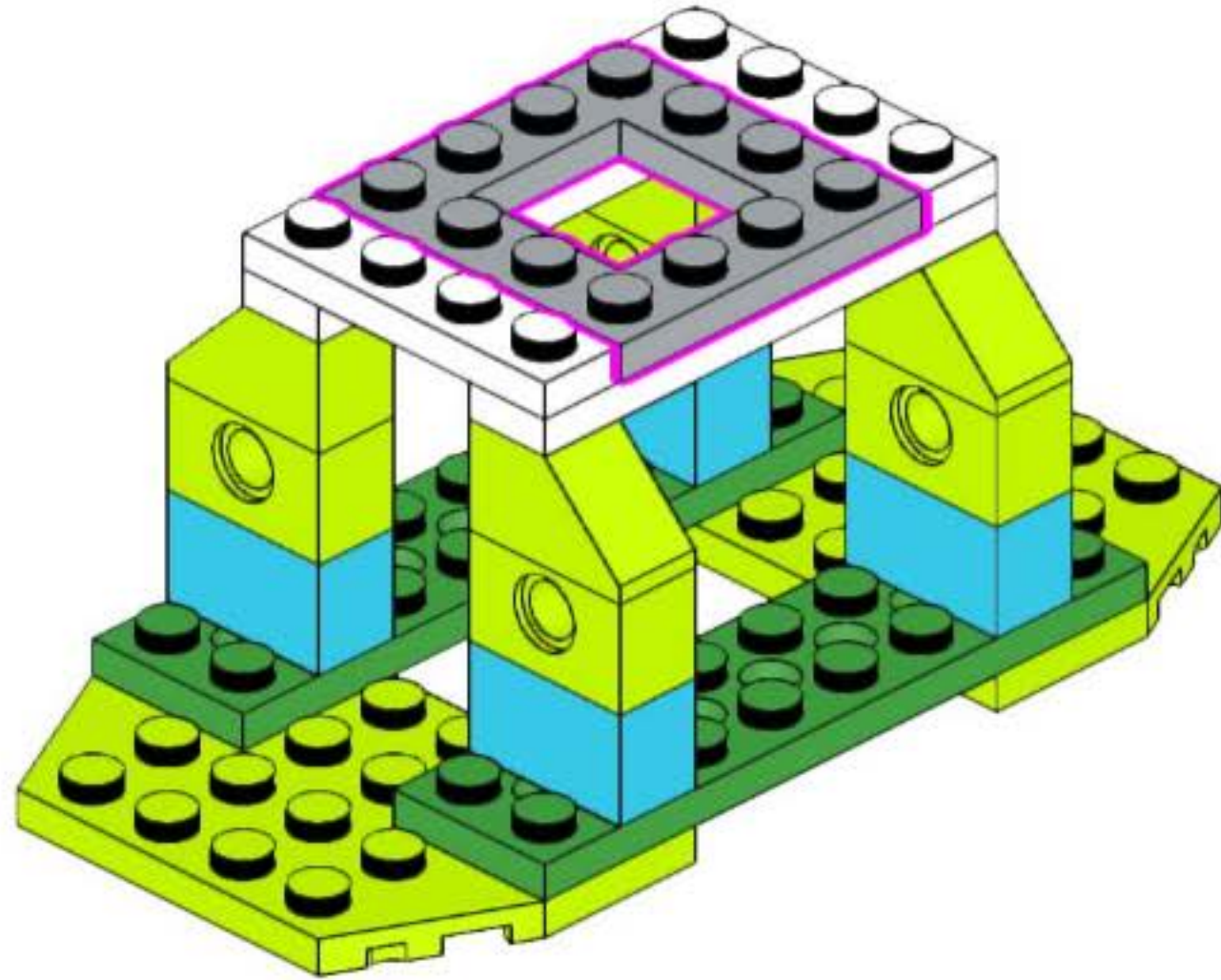
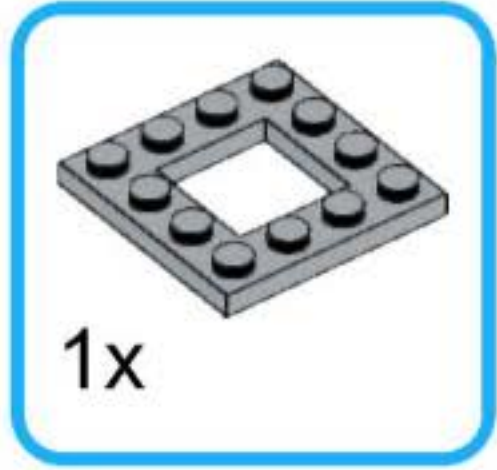


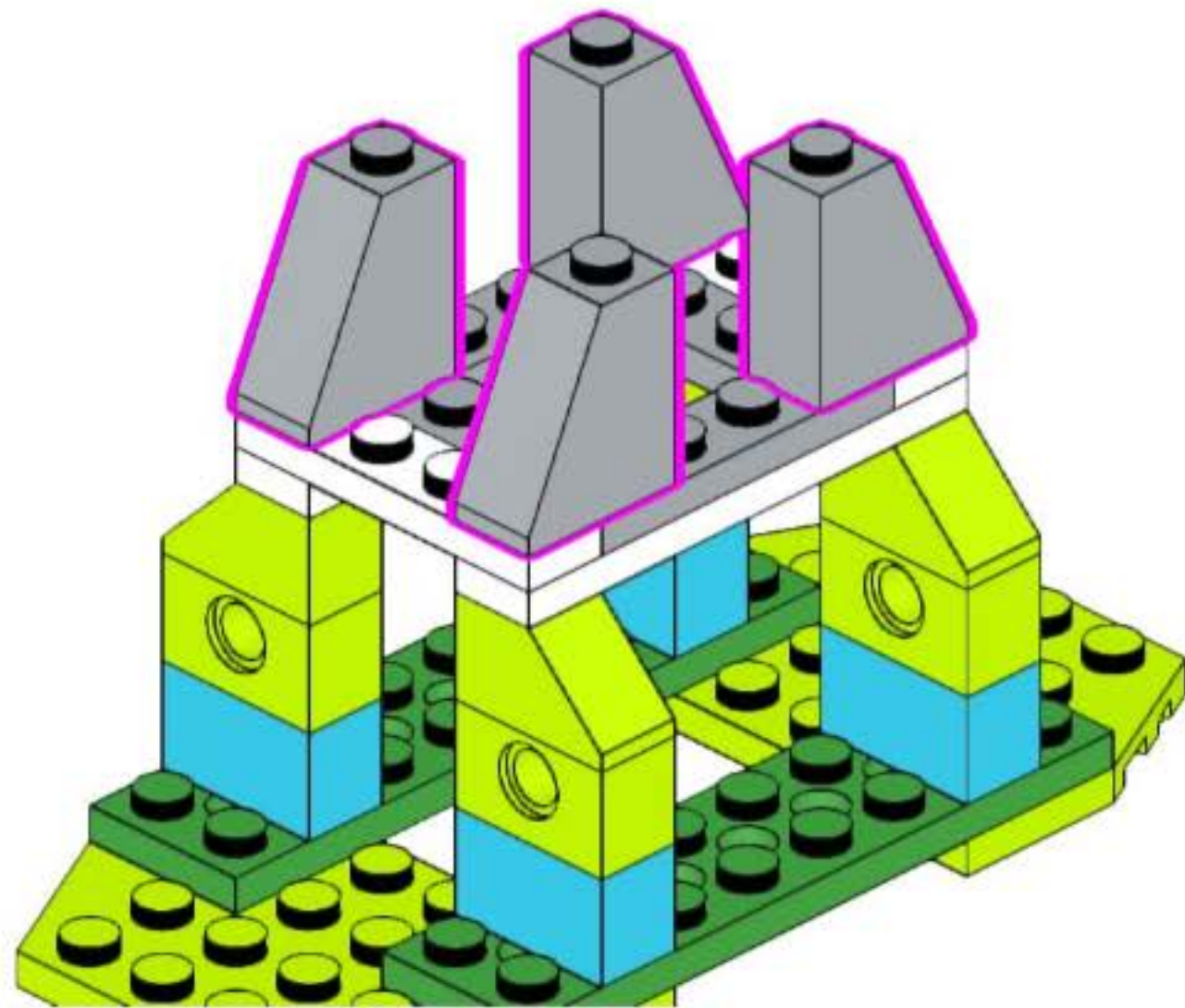
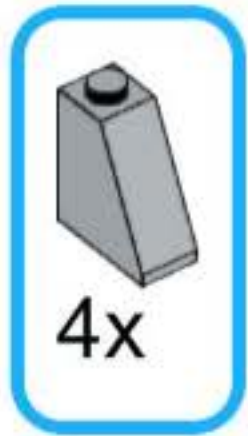


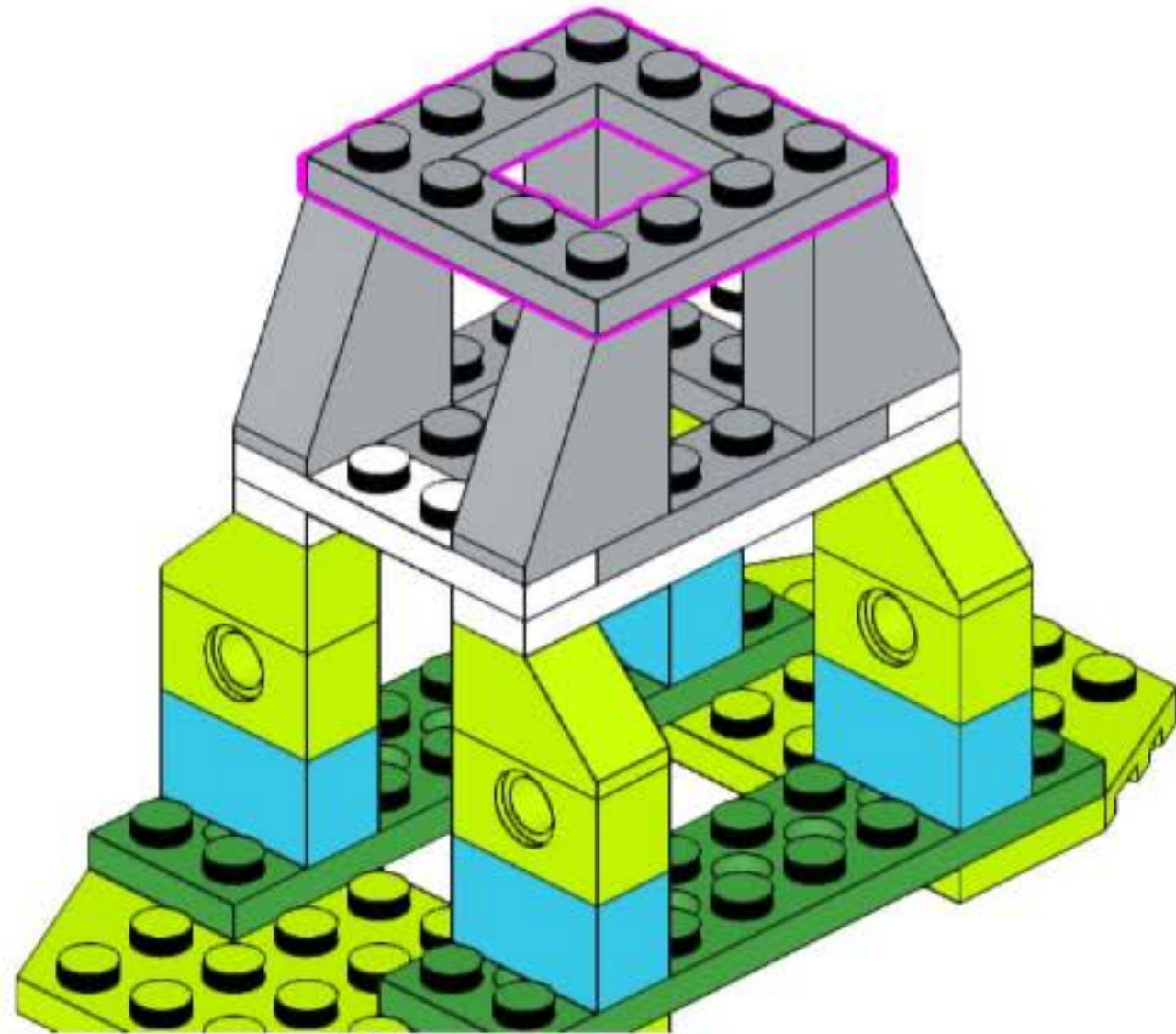
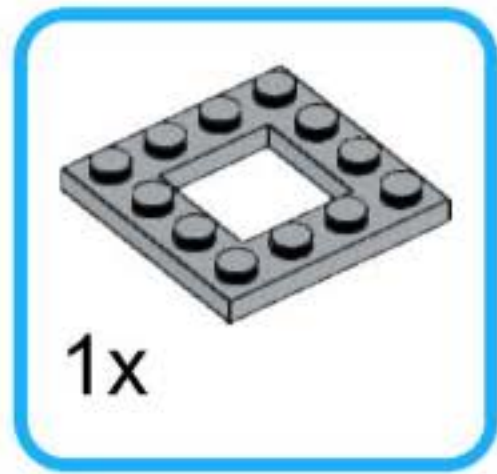


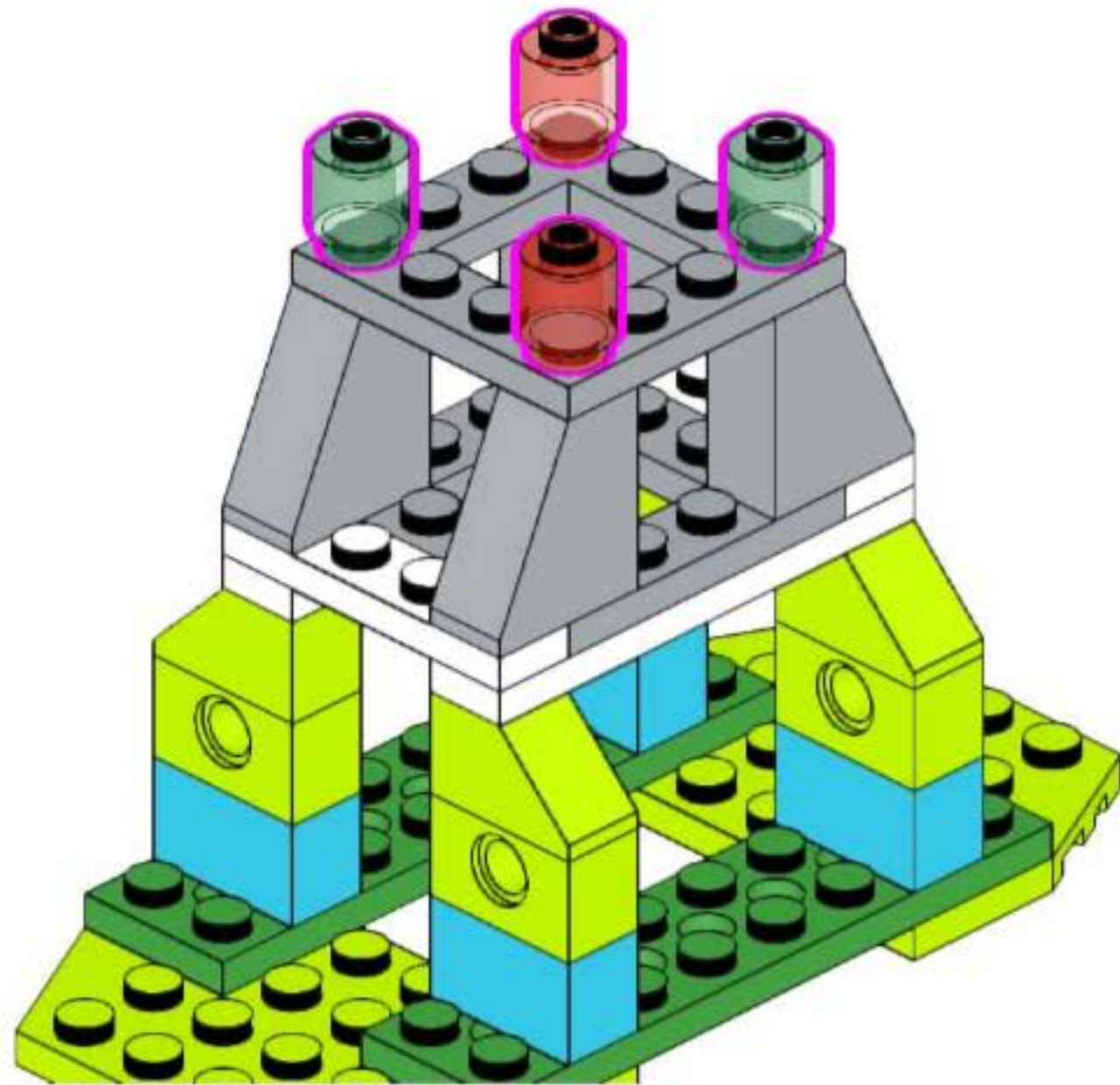


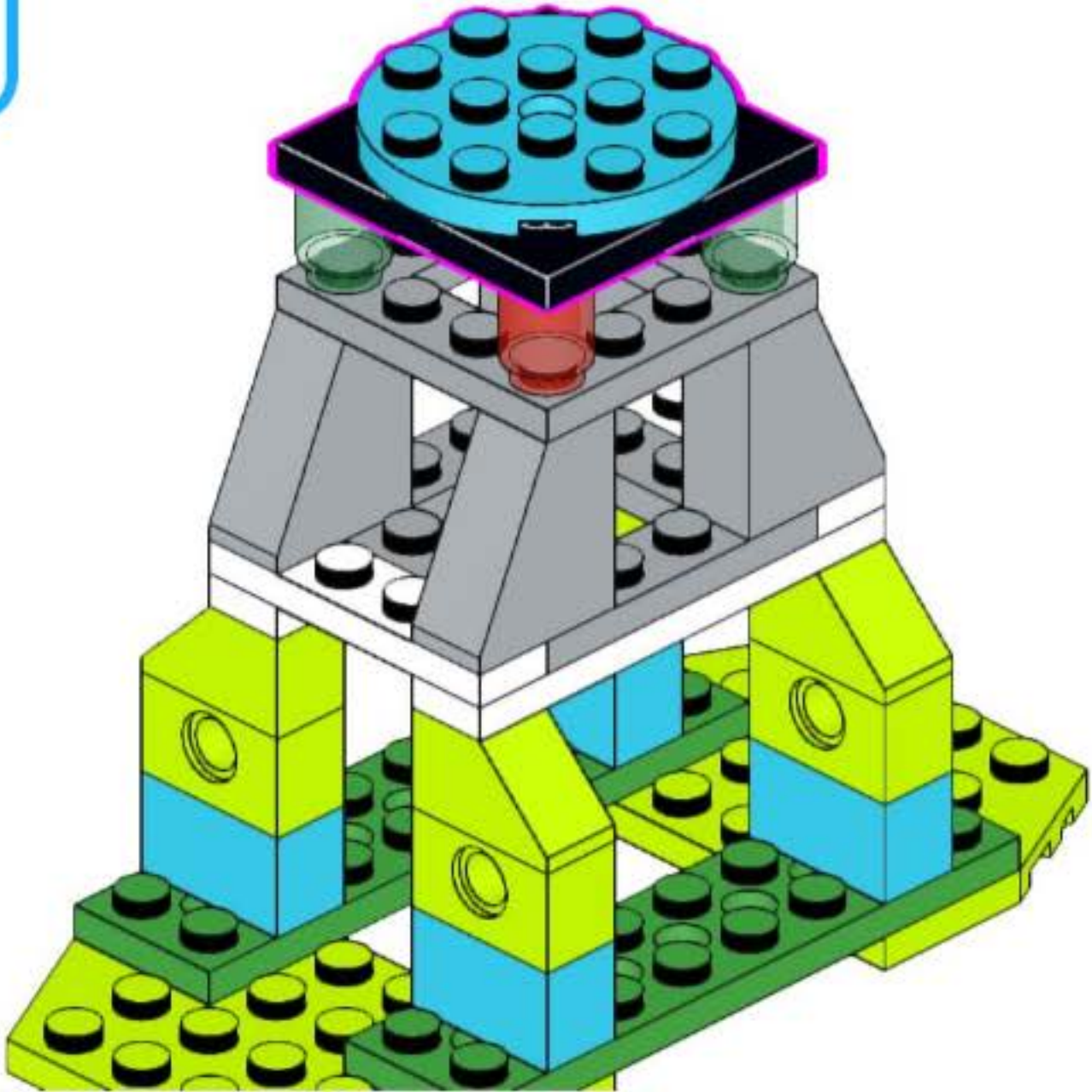
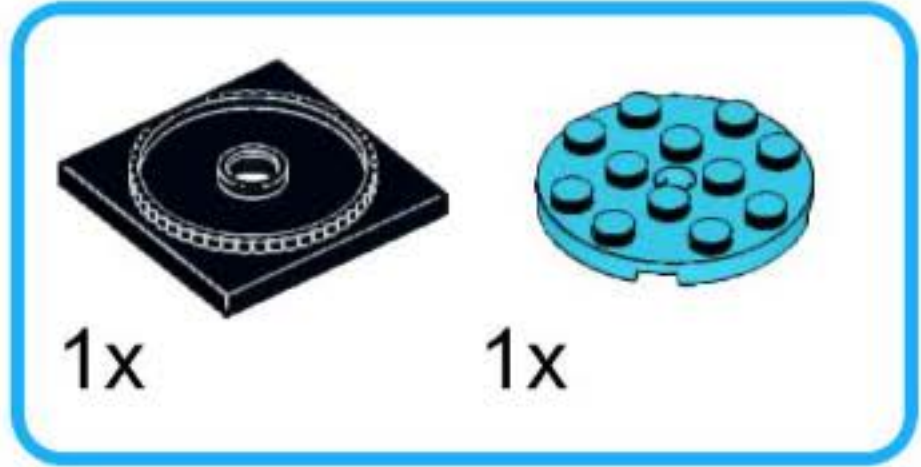


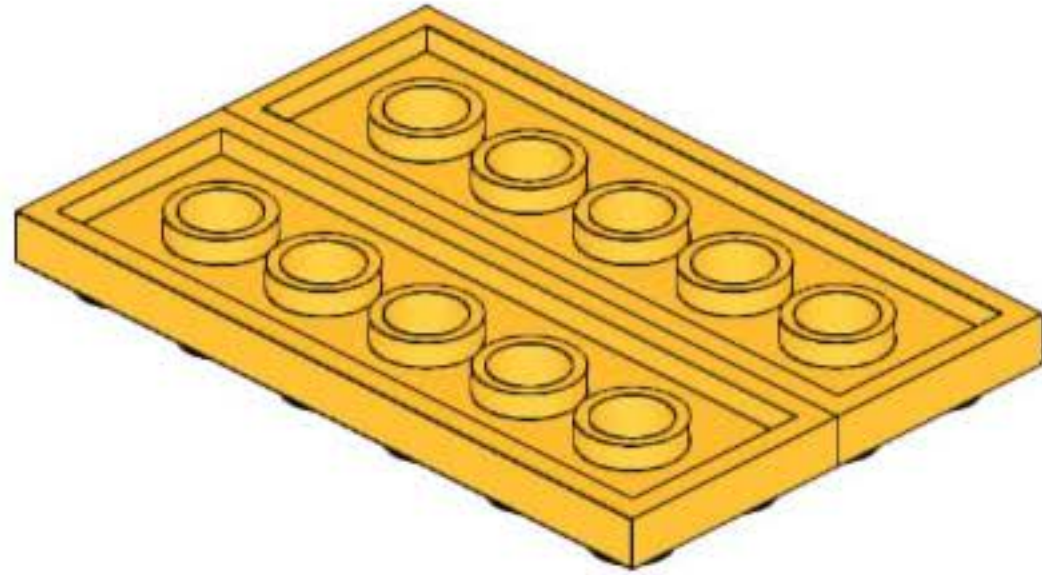
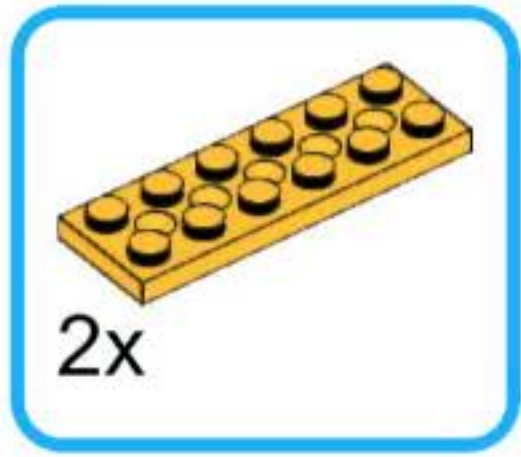


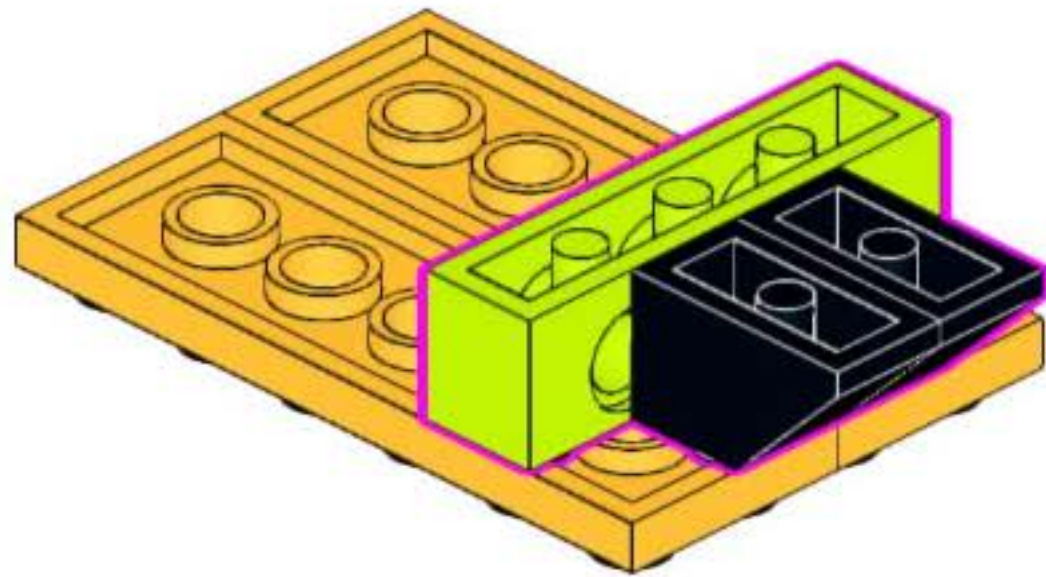
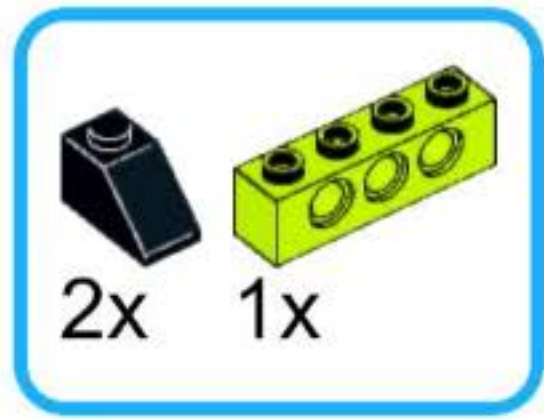


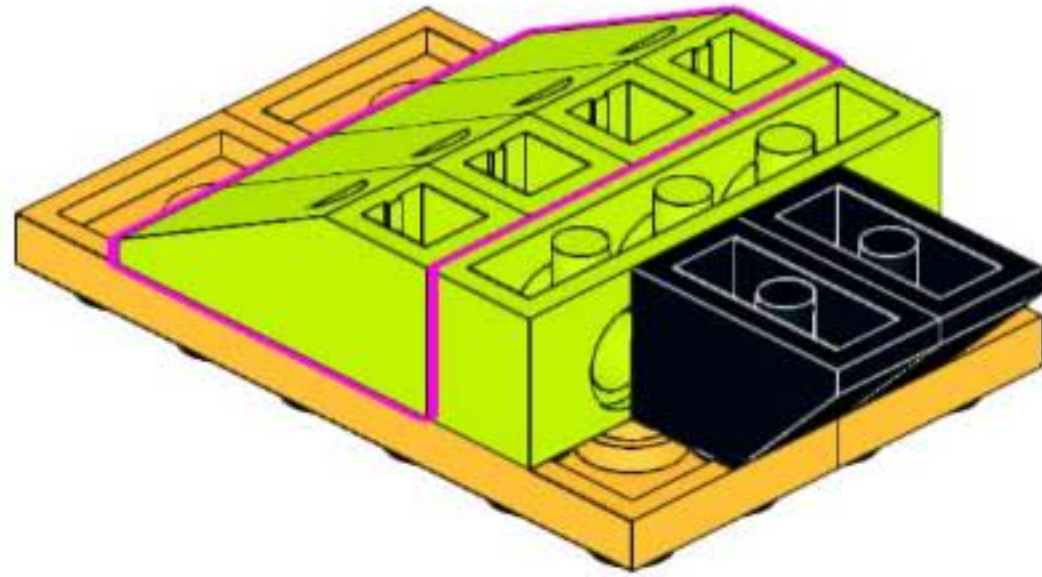
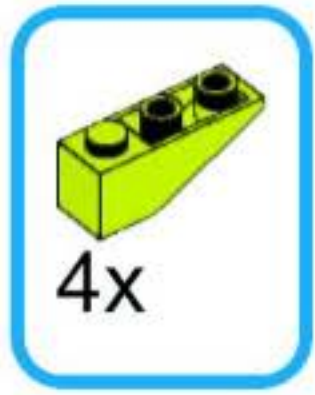


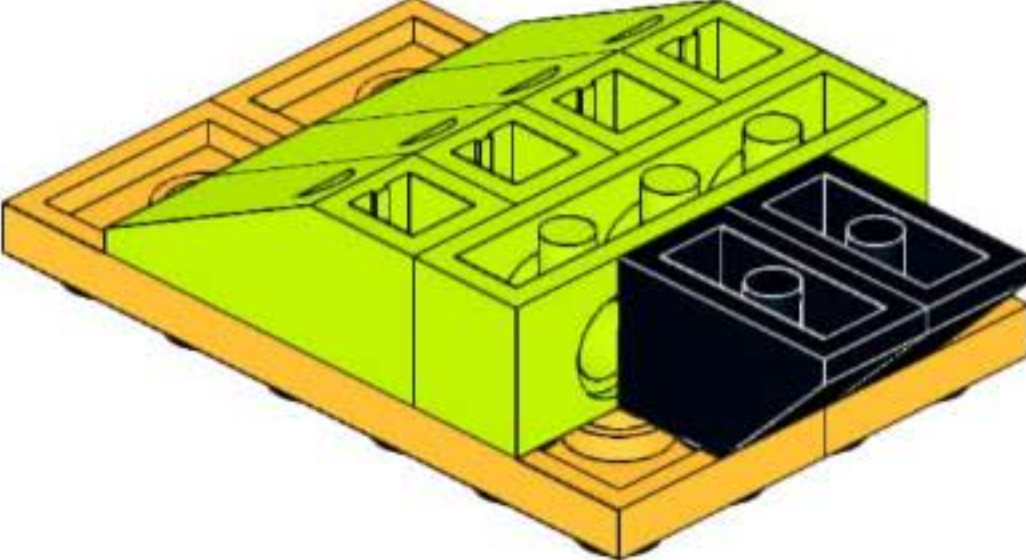


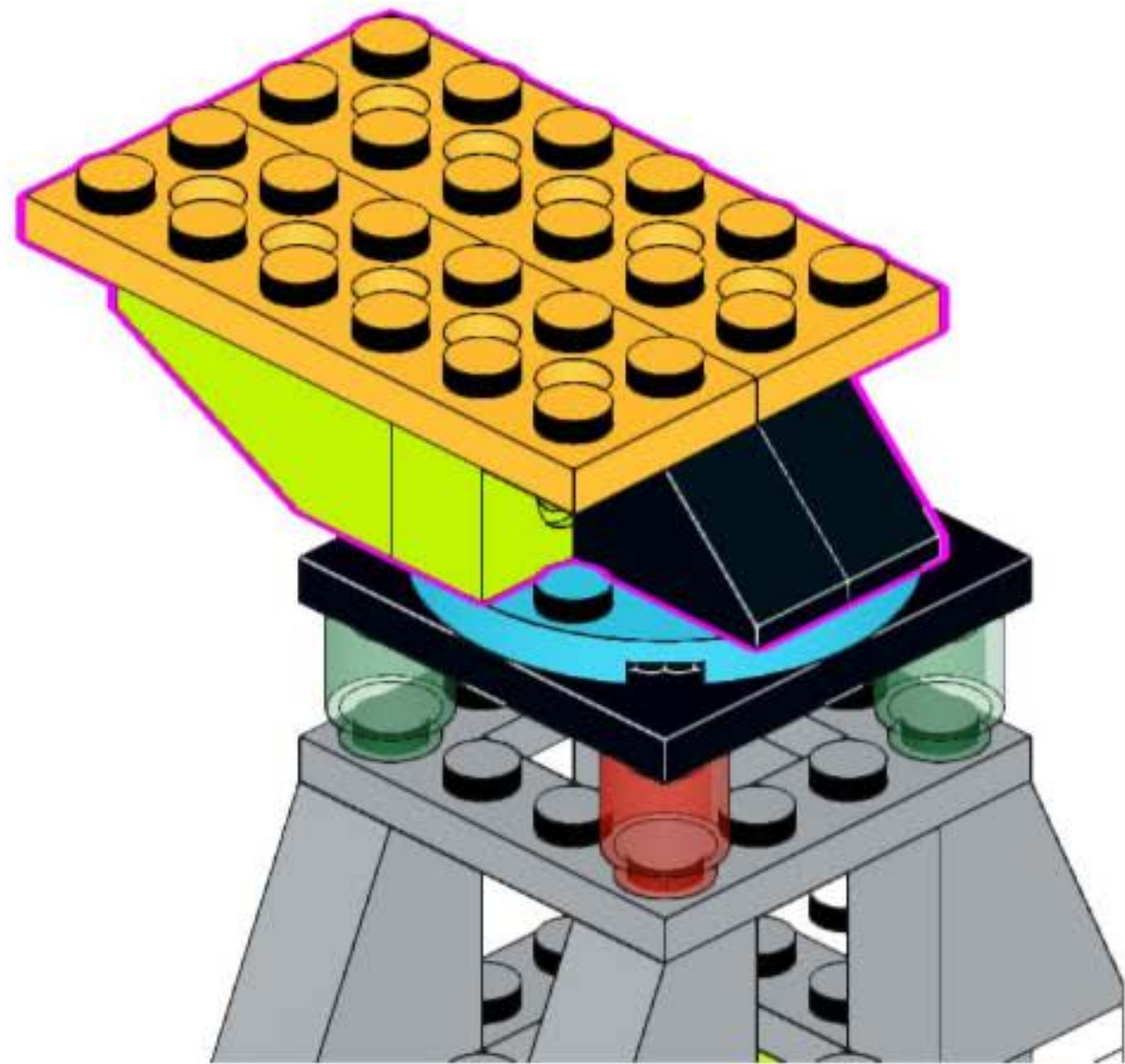


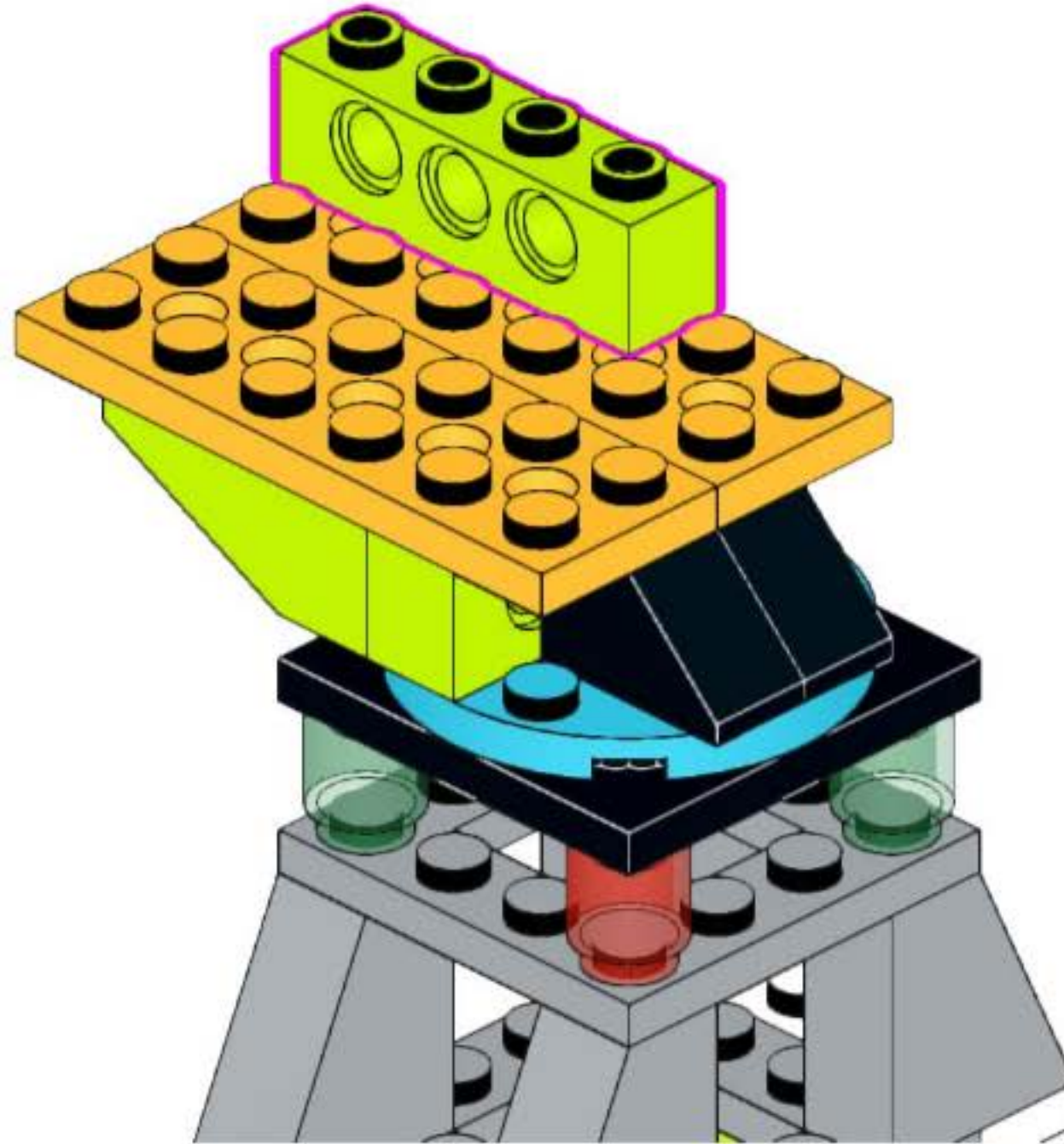
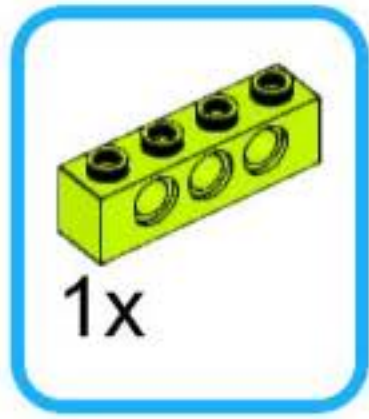


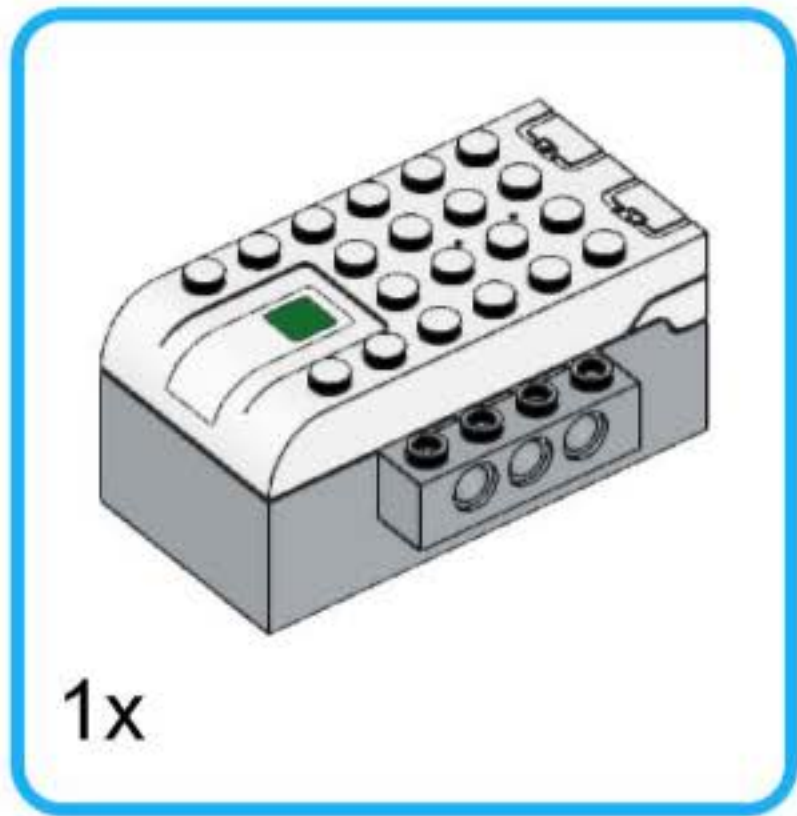




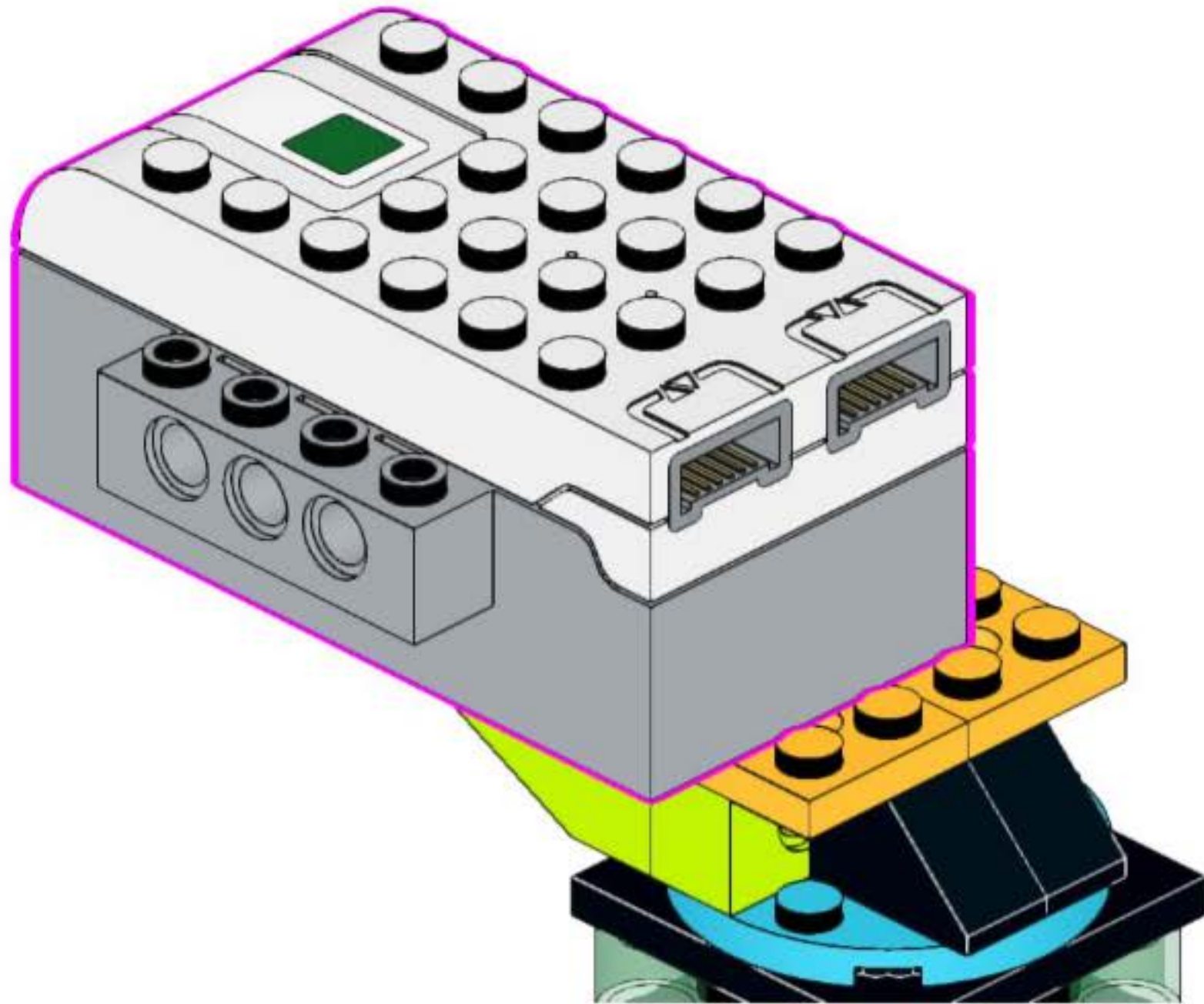


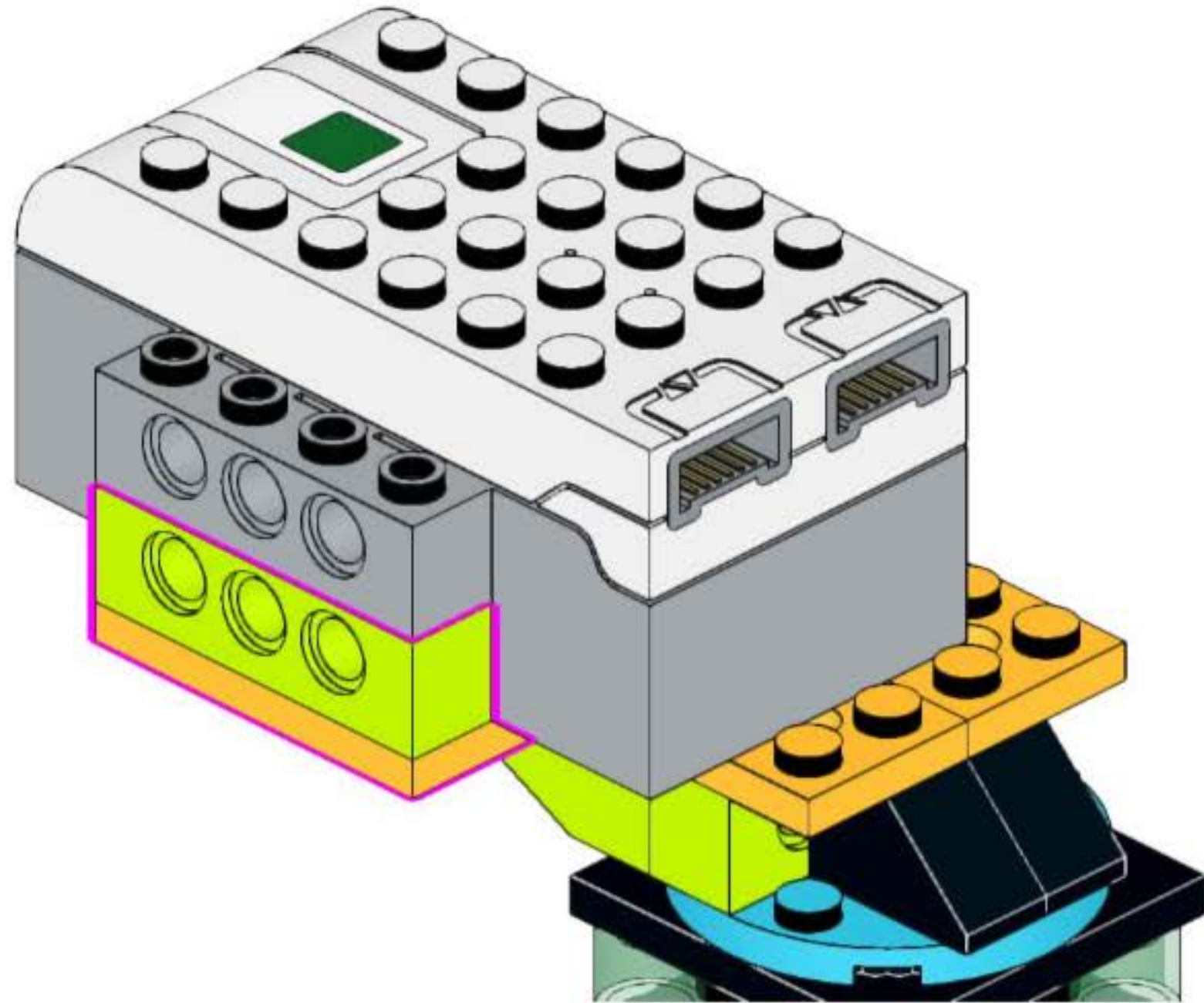
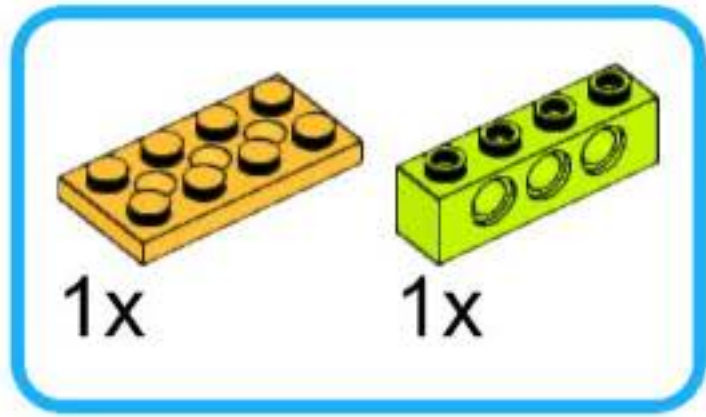


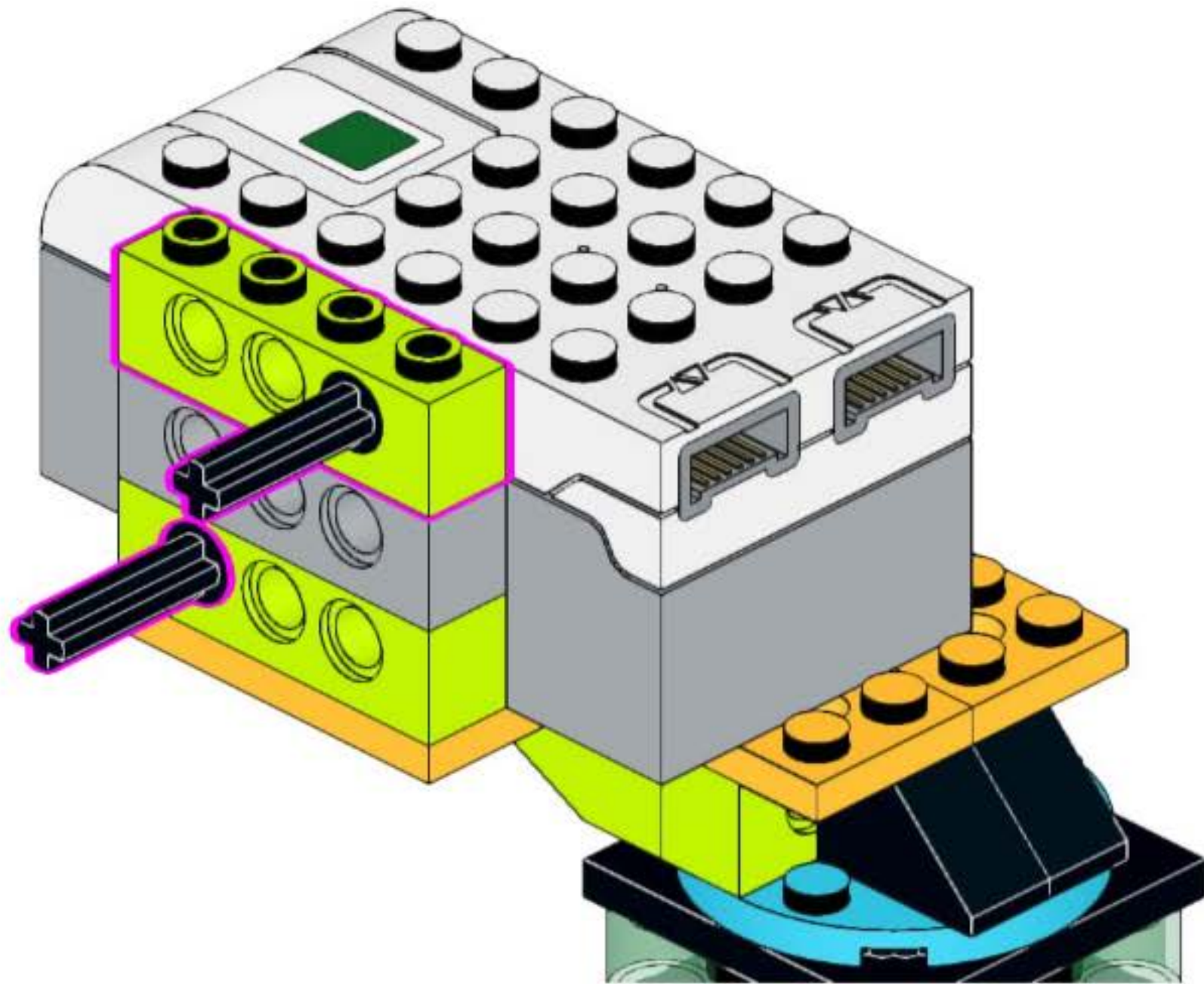
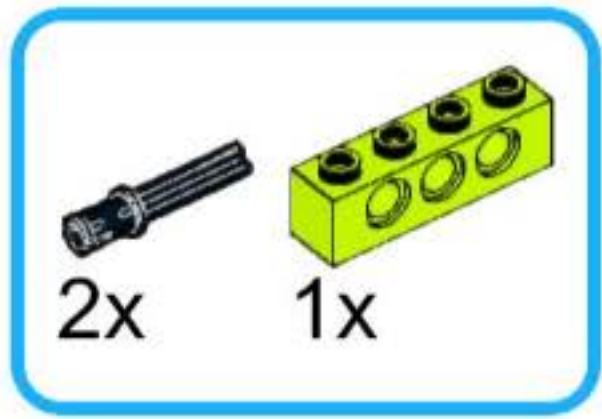


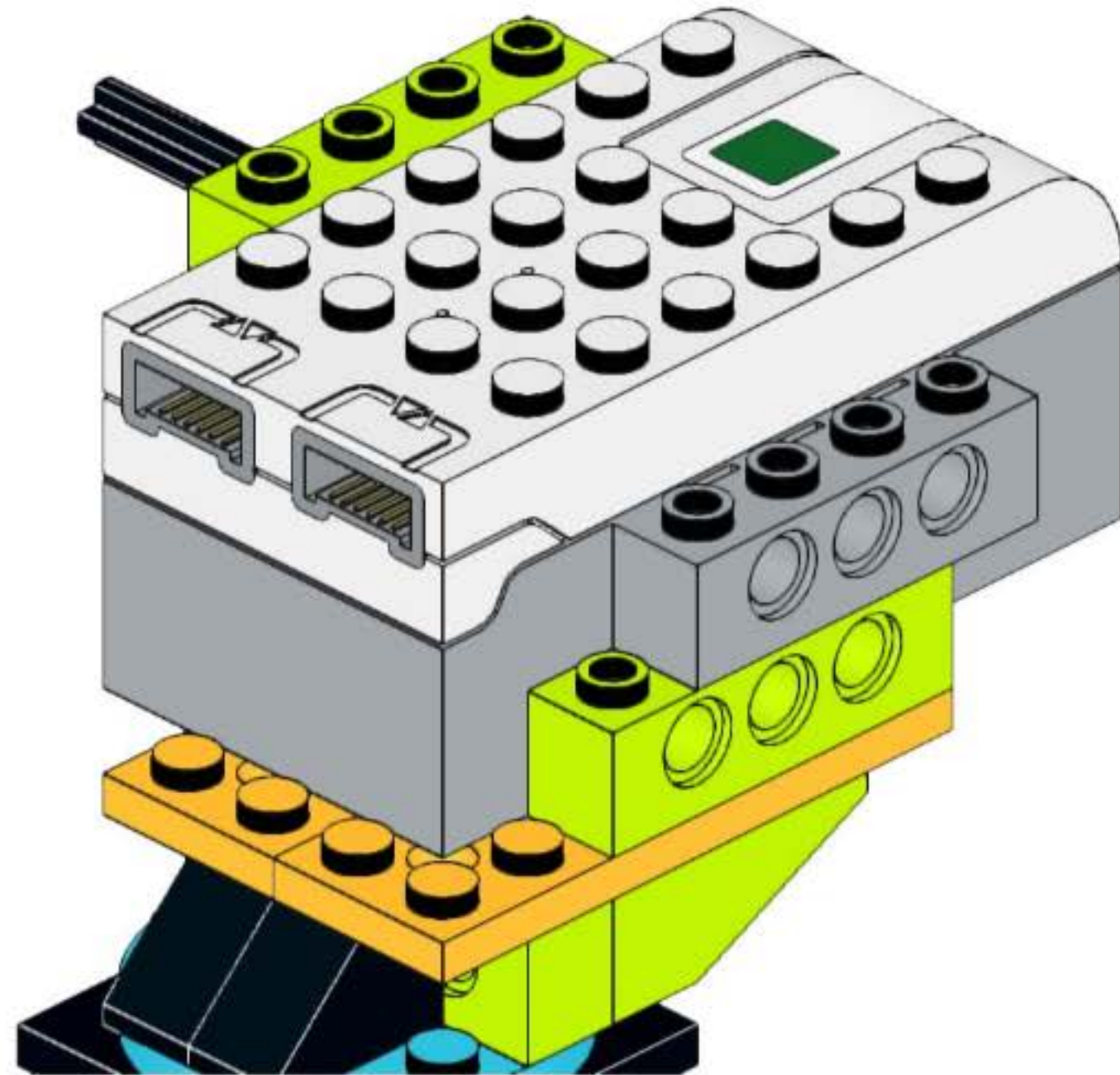


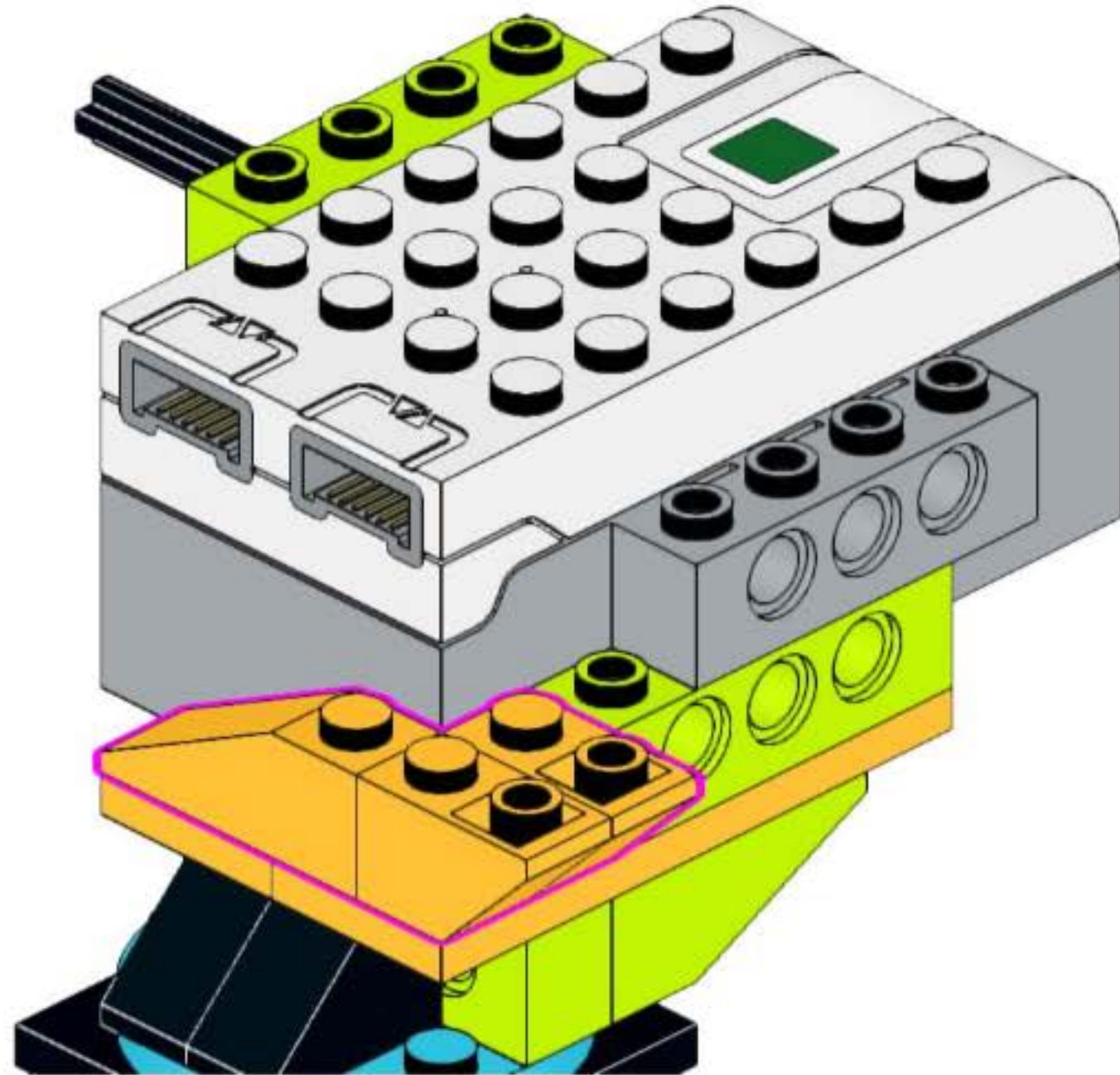
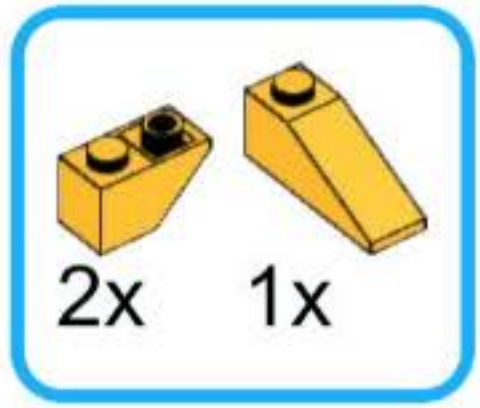
1x

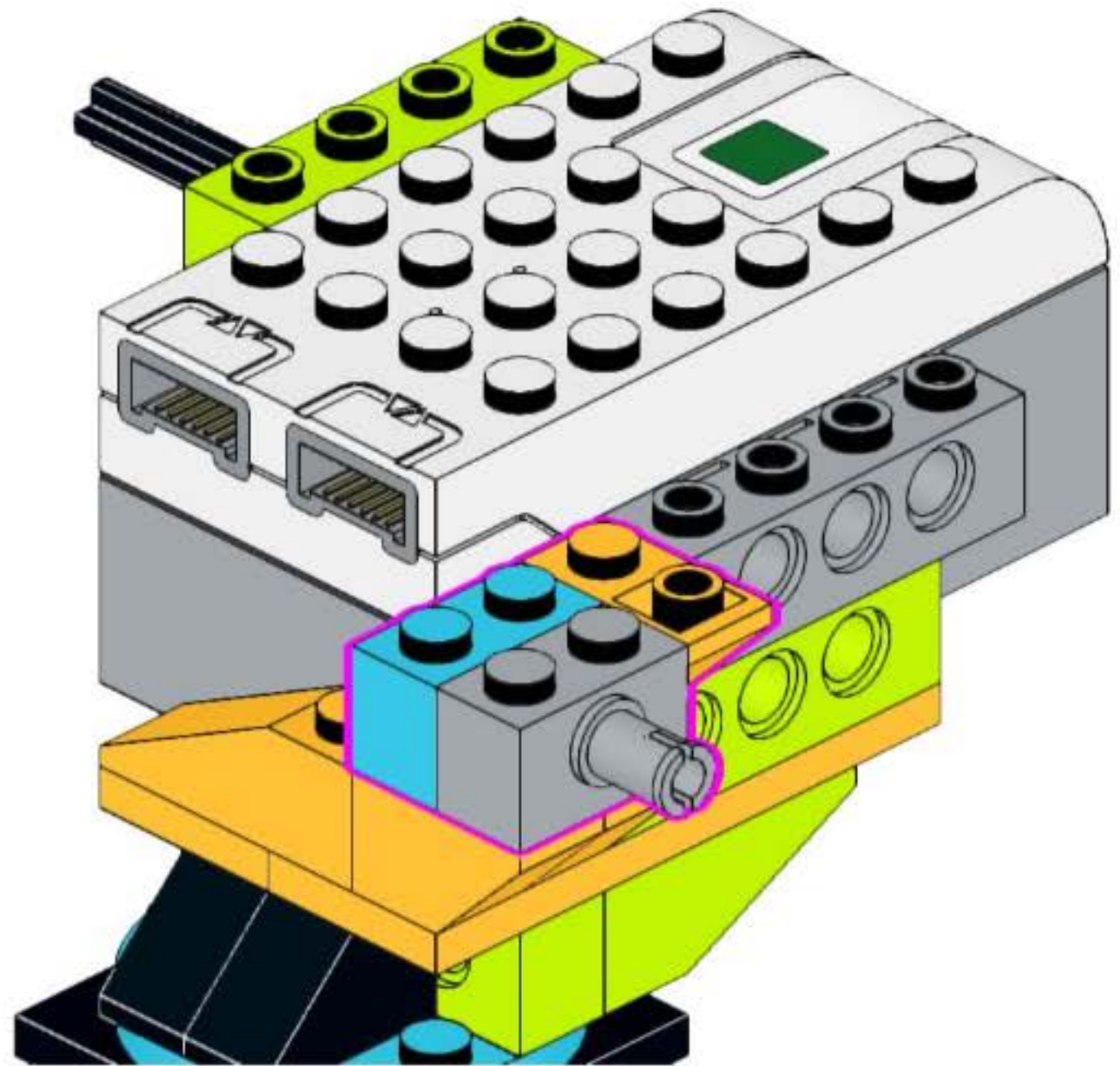
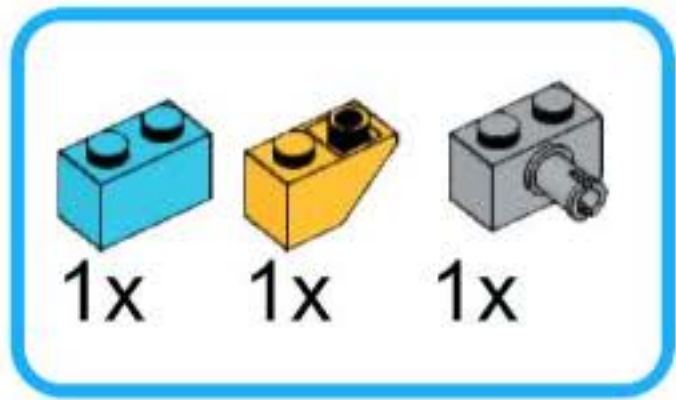


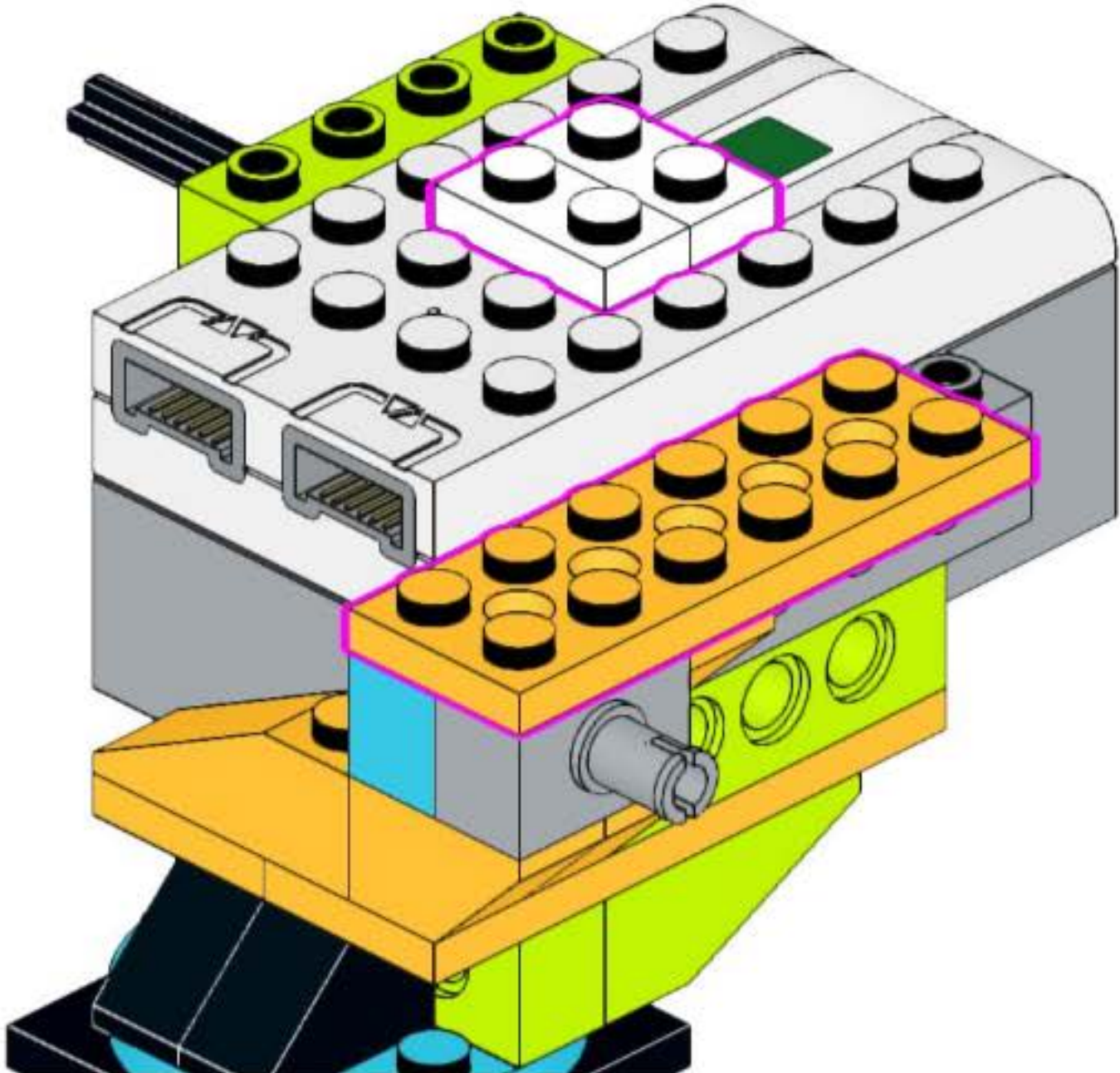
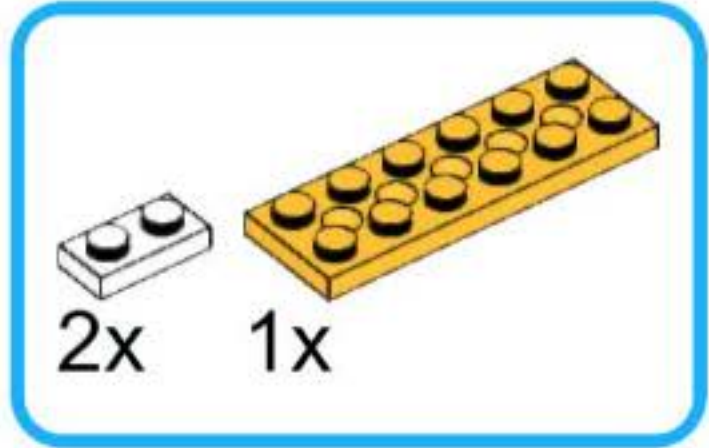


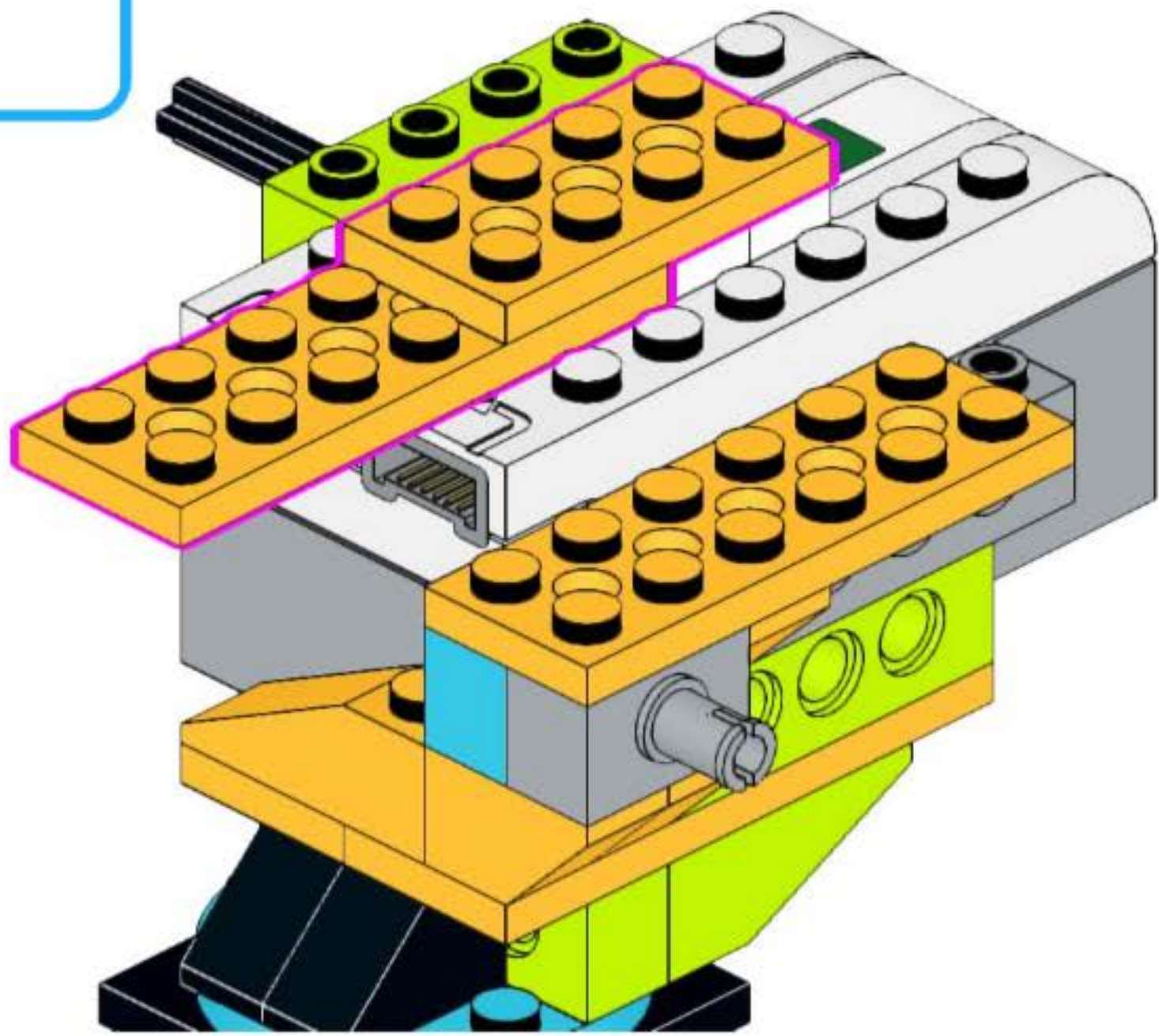
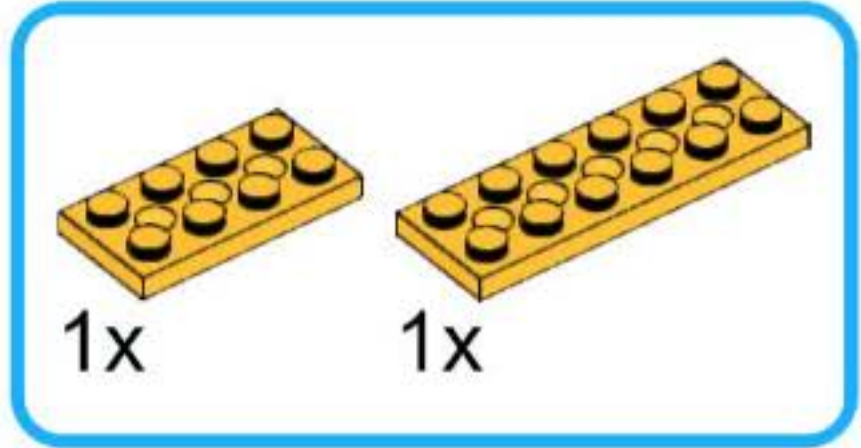


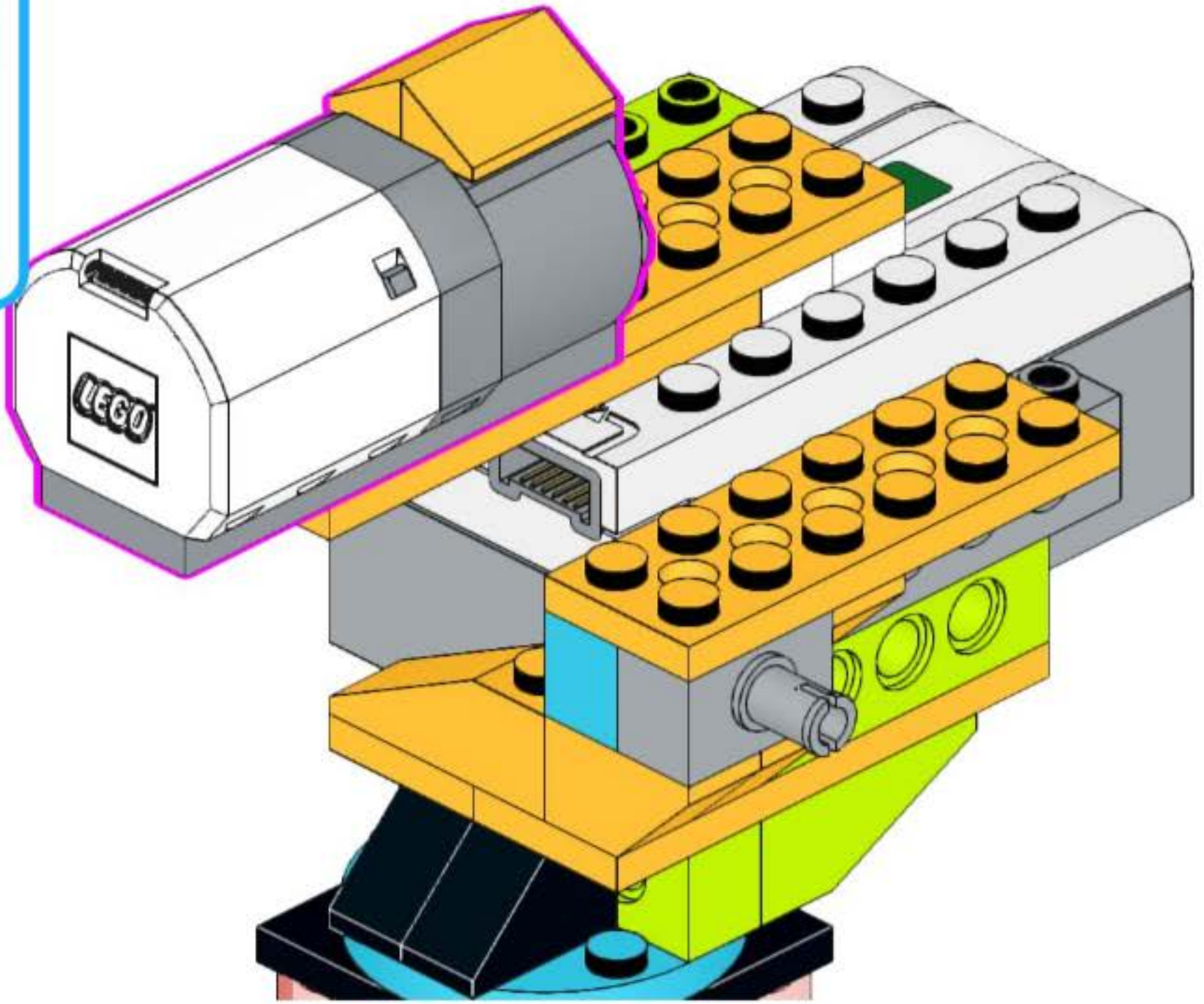
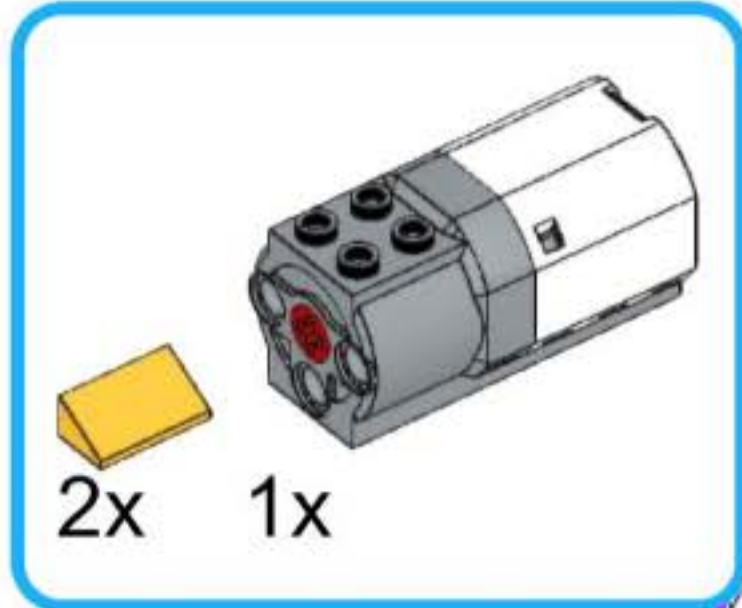


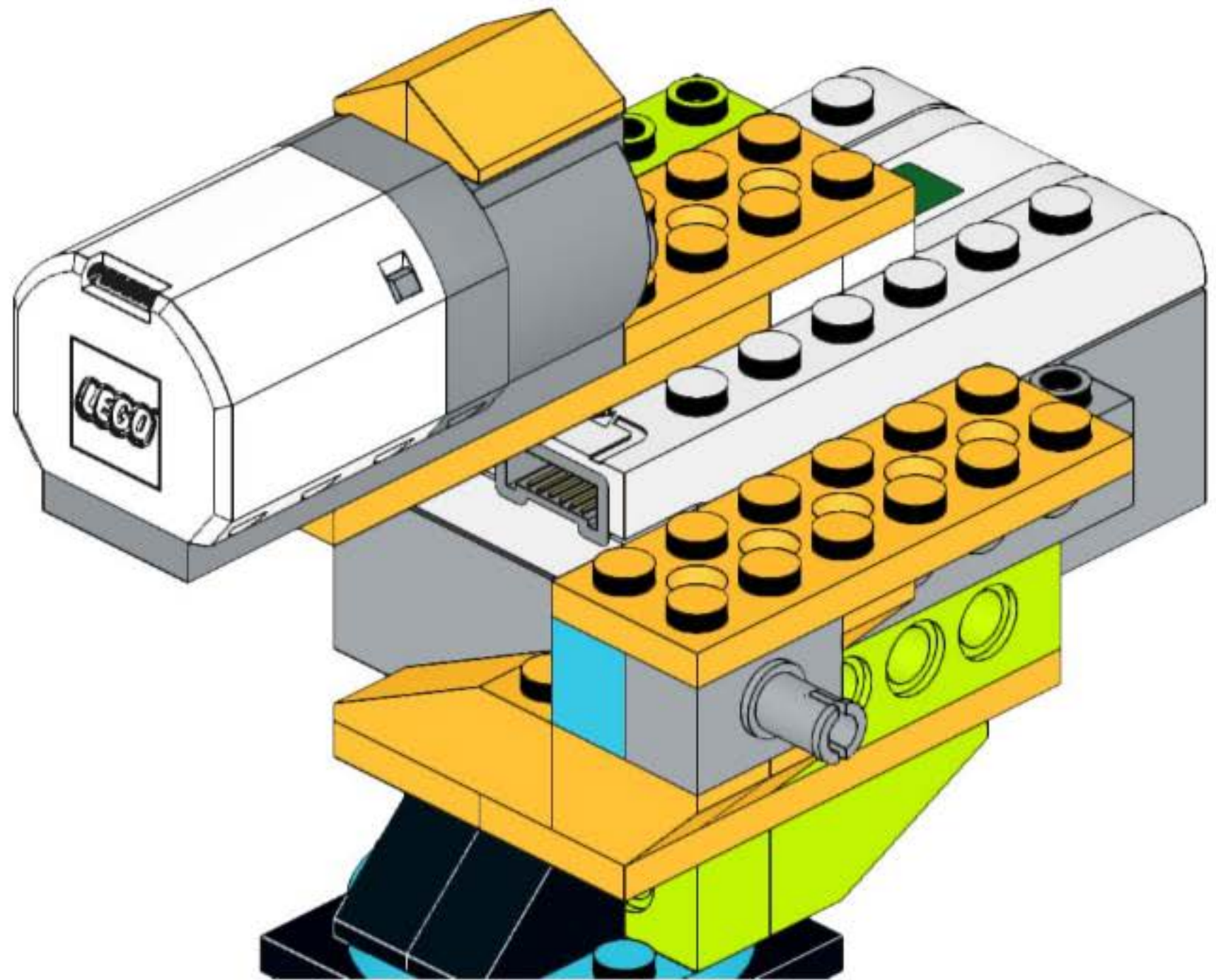


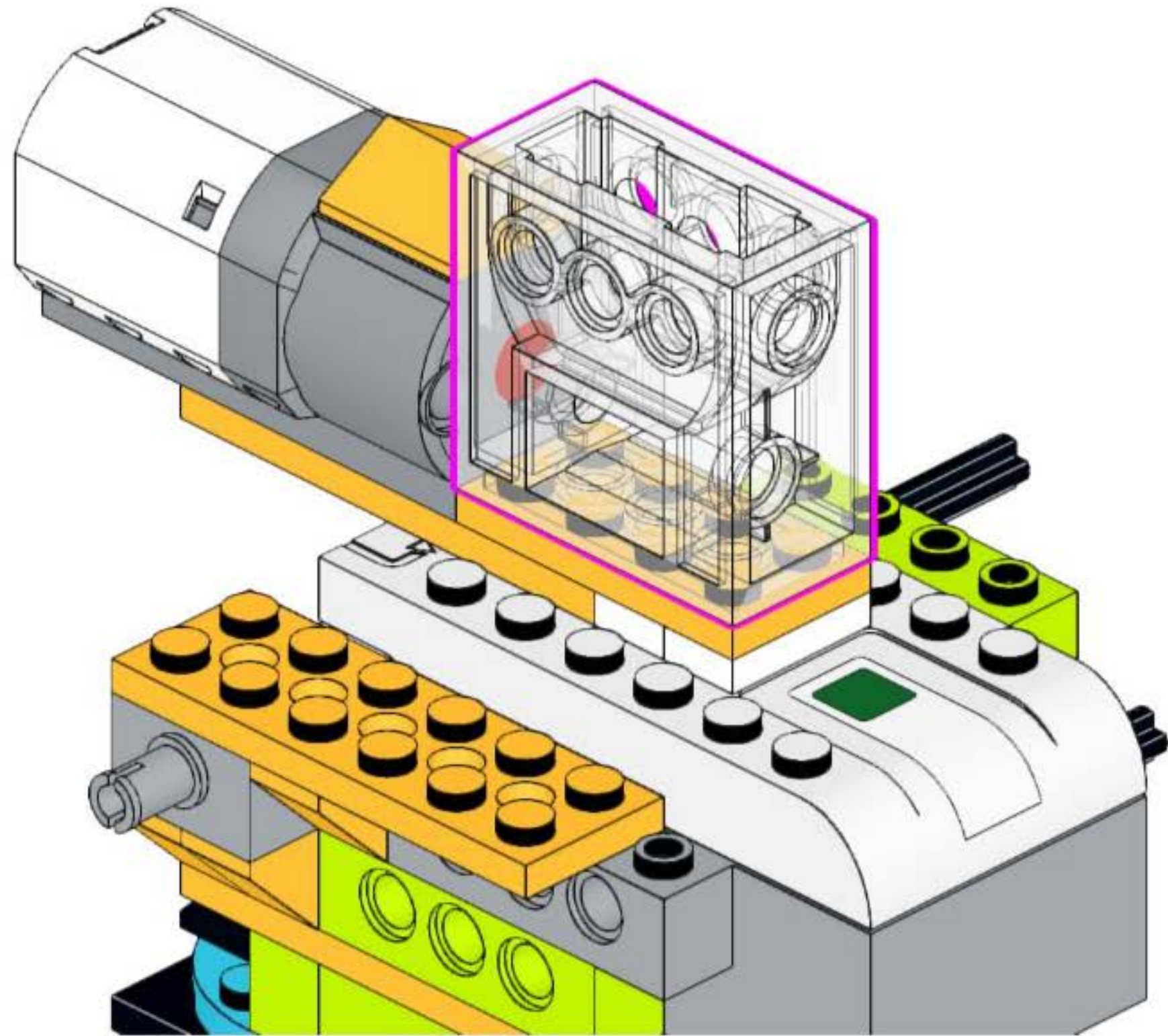
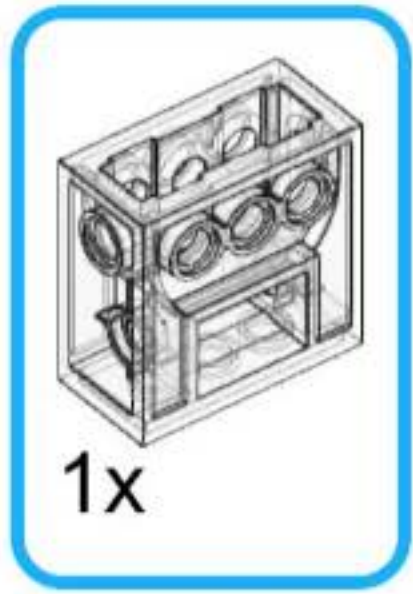


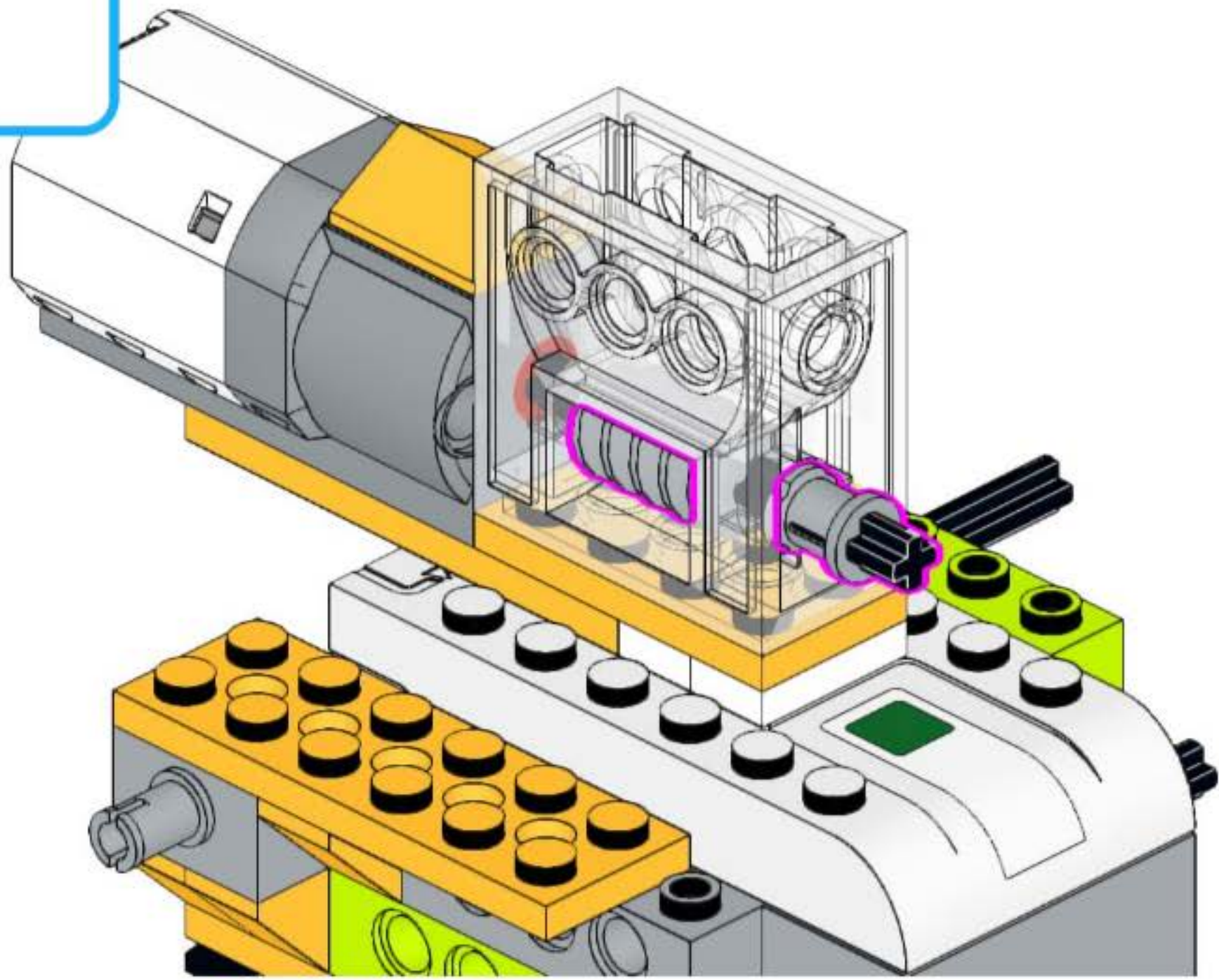


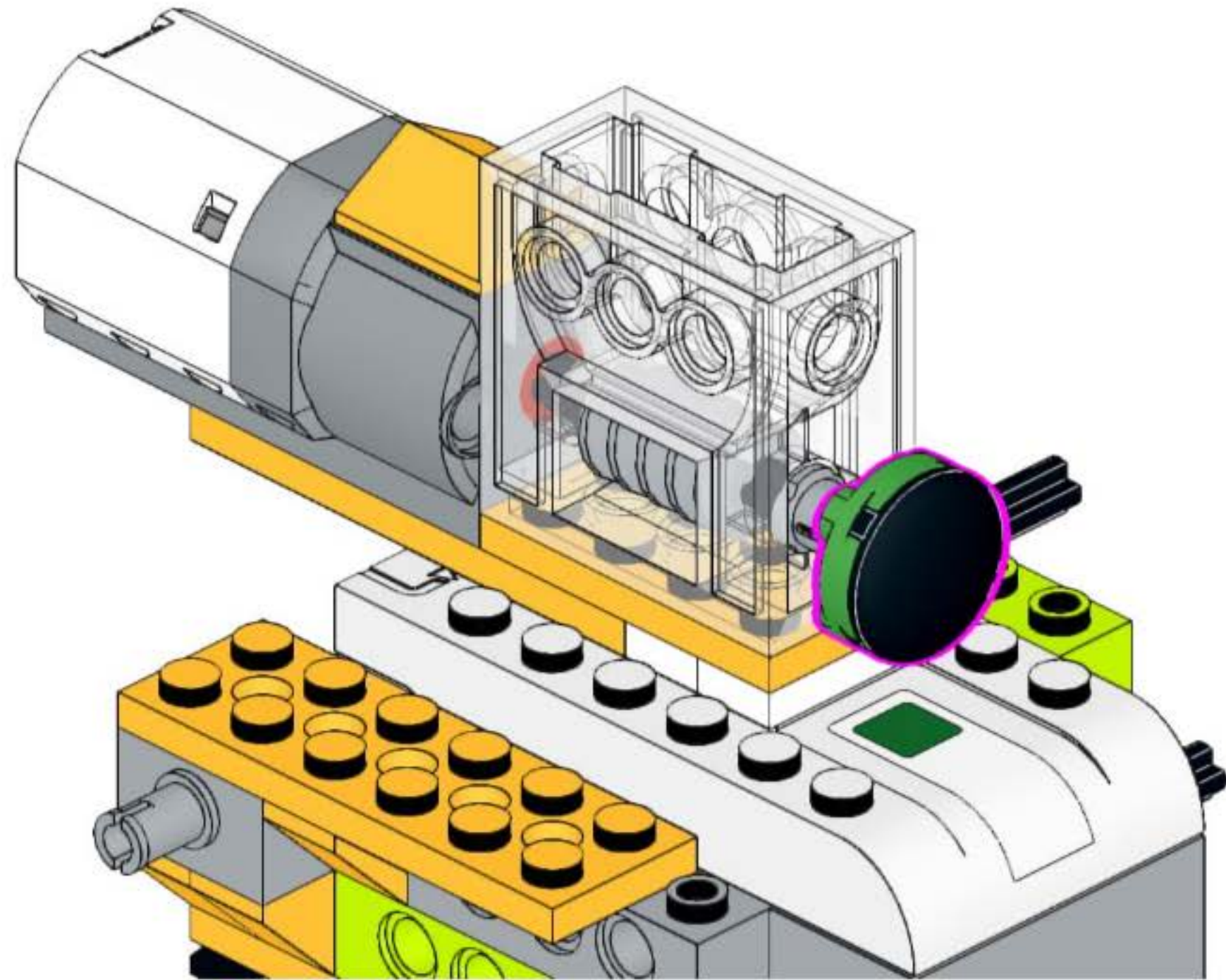
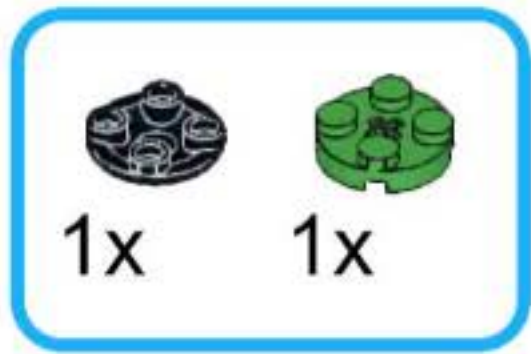


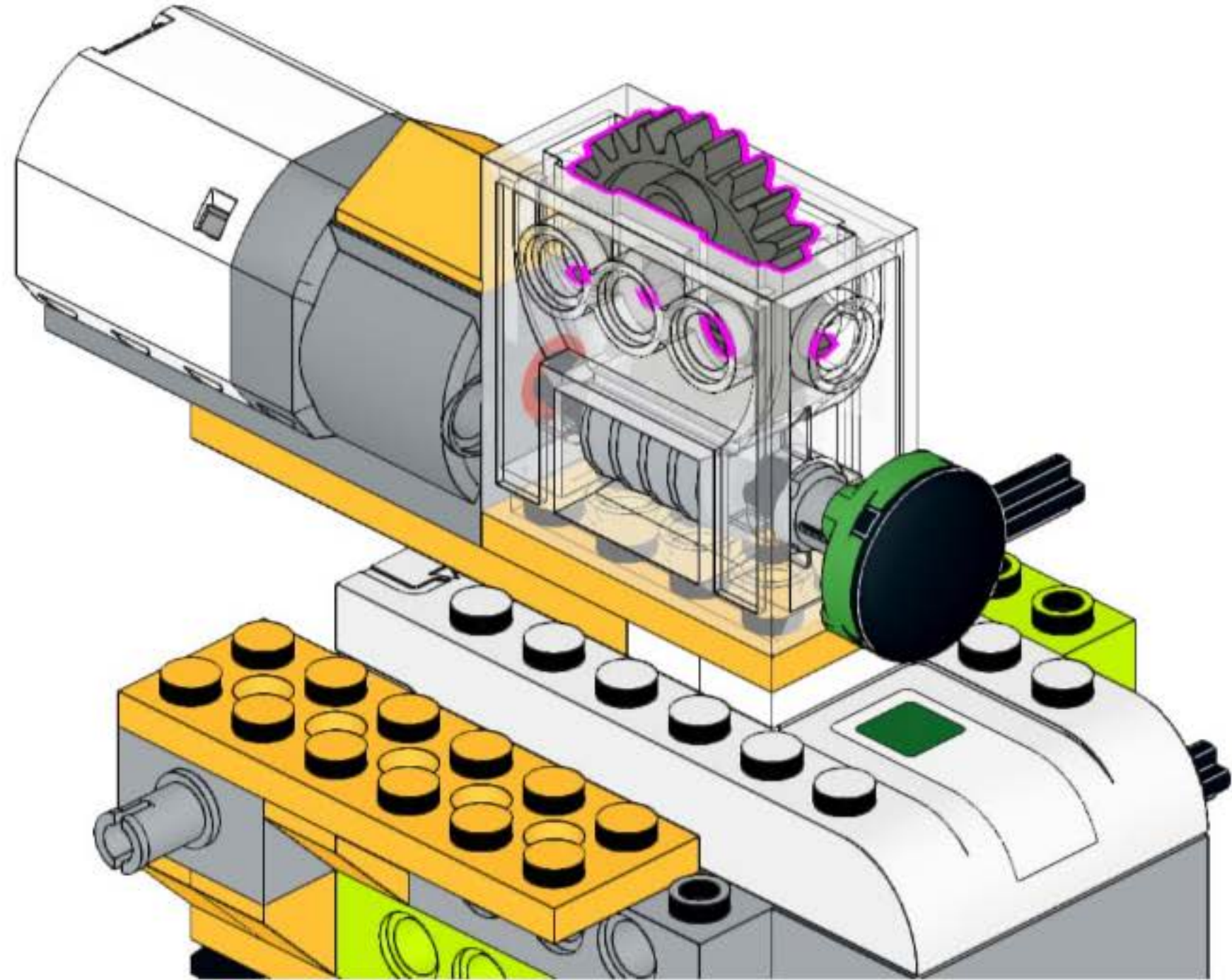
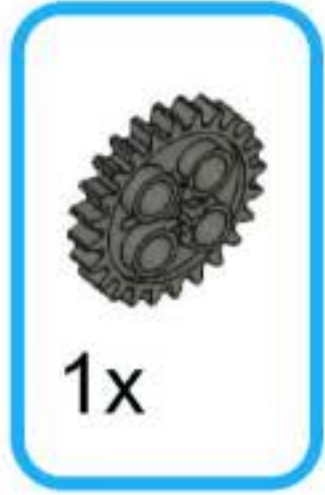


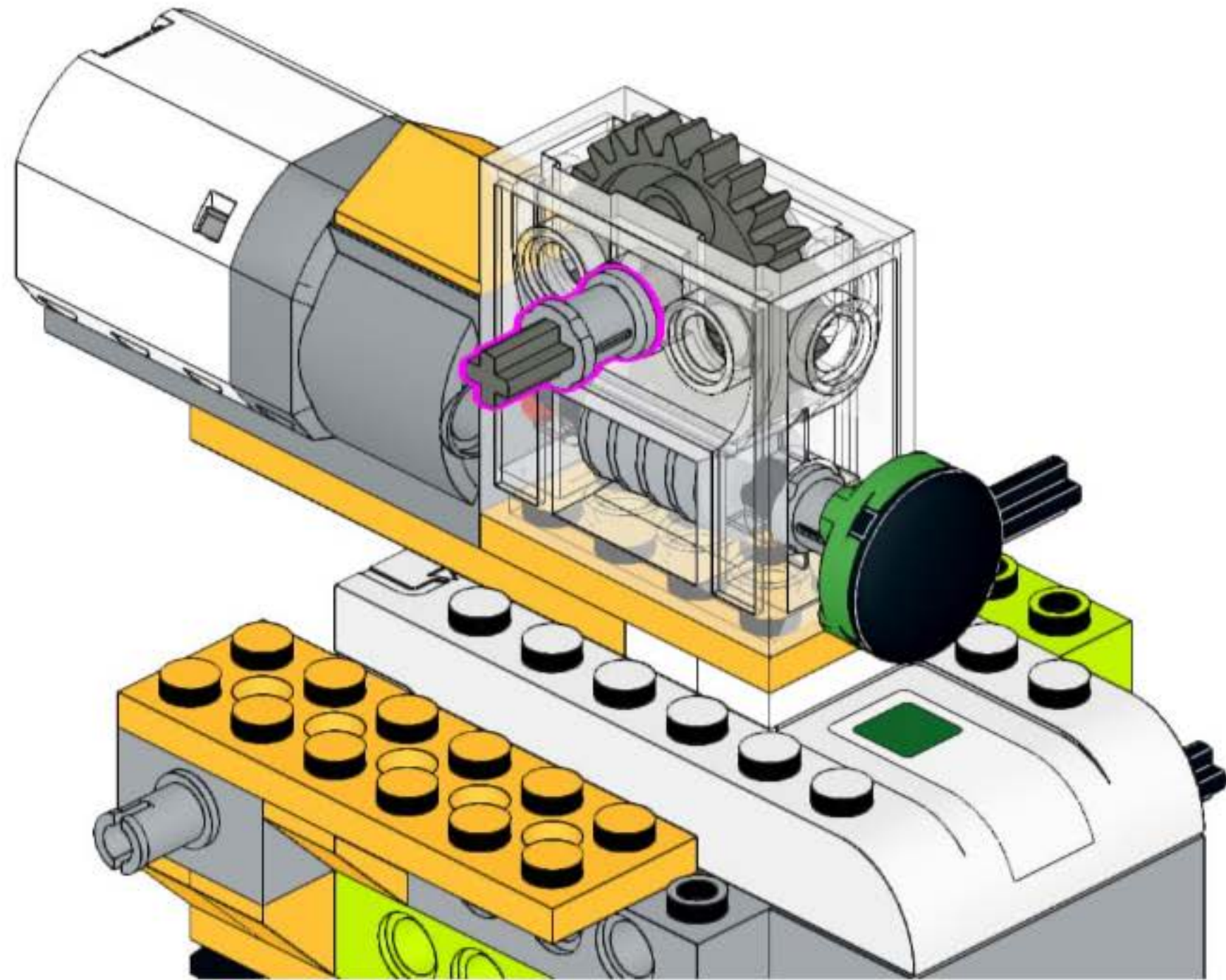
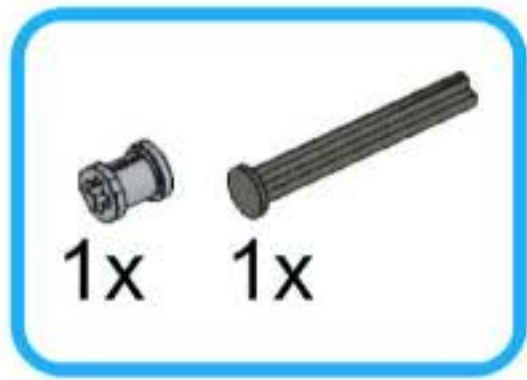


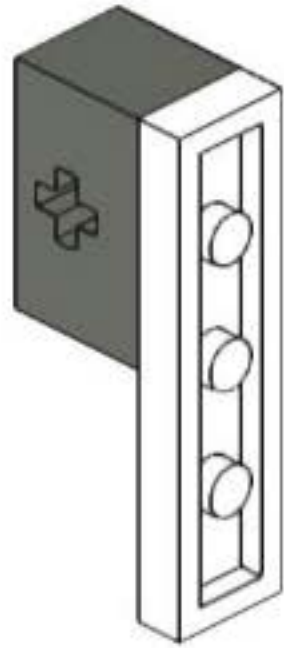
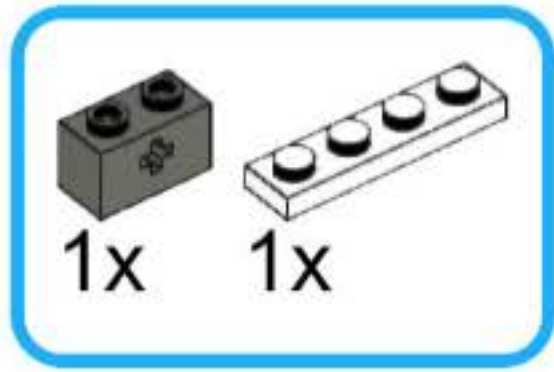


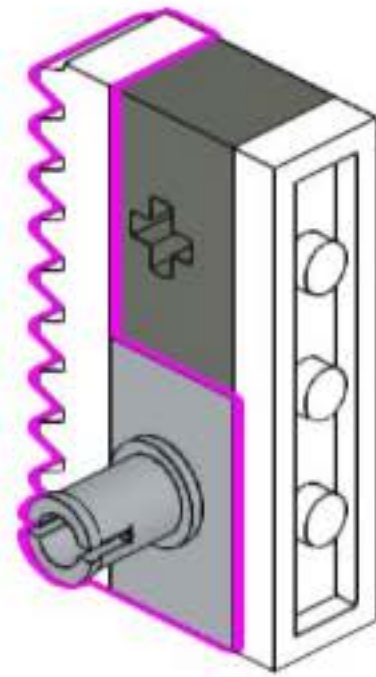
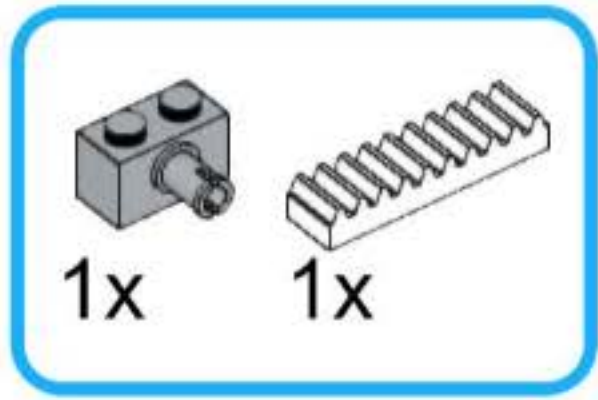


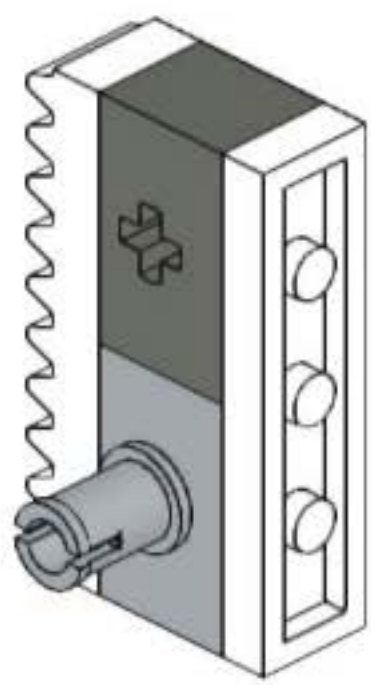


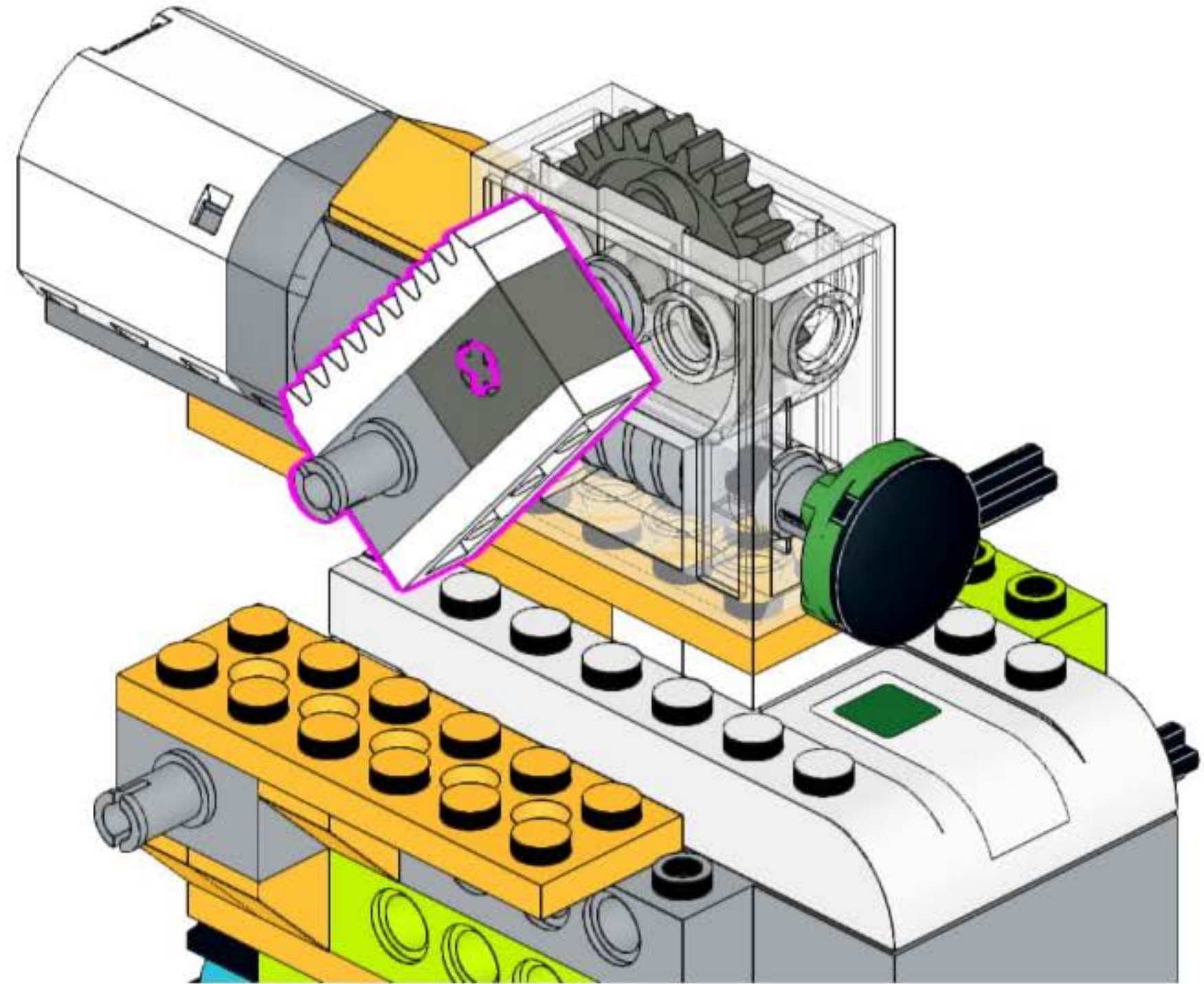


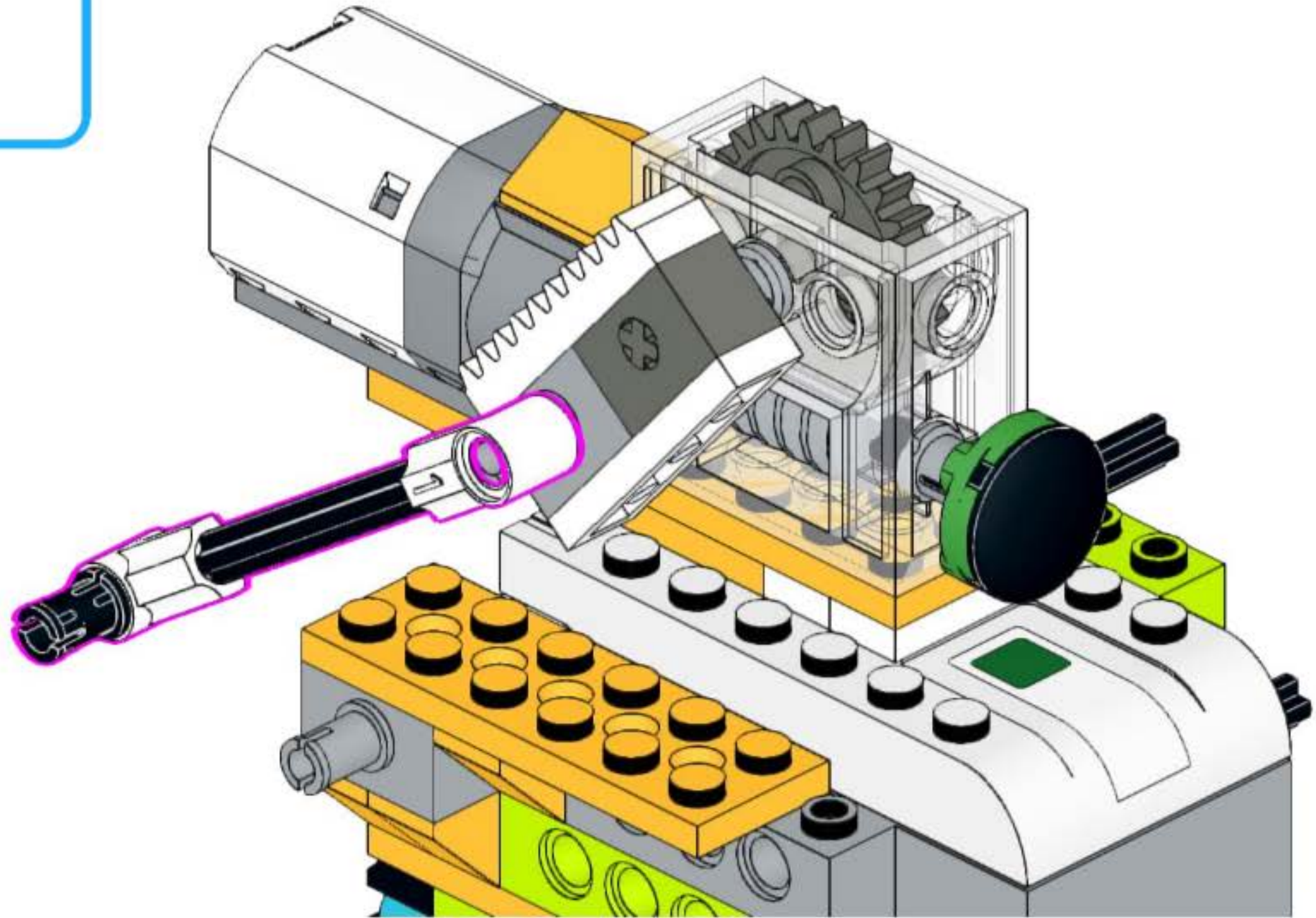
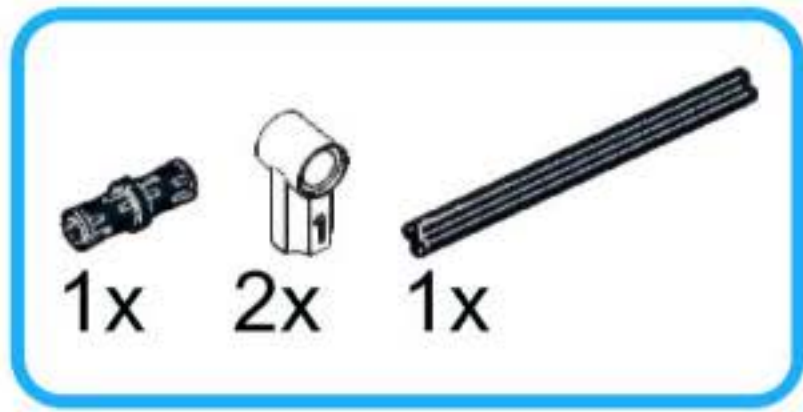


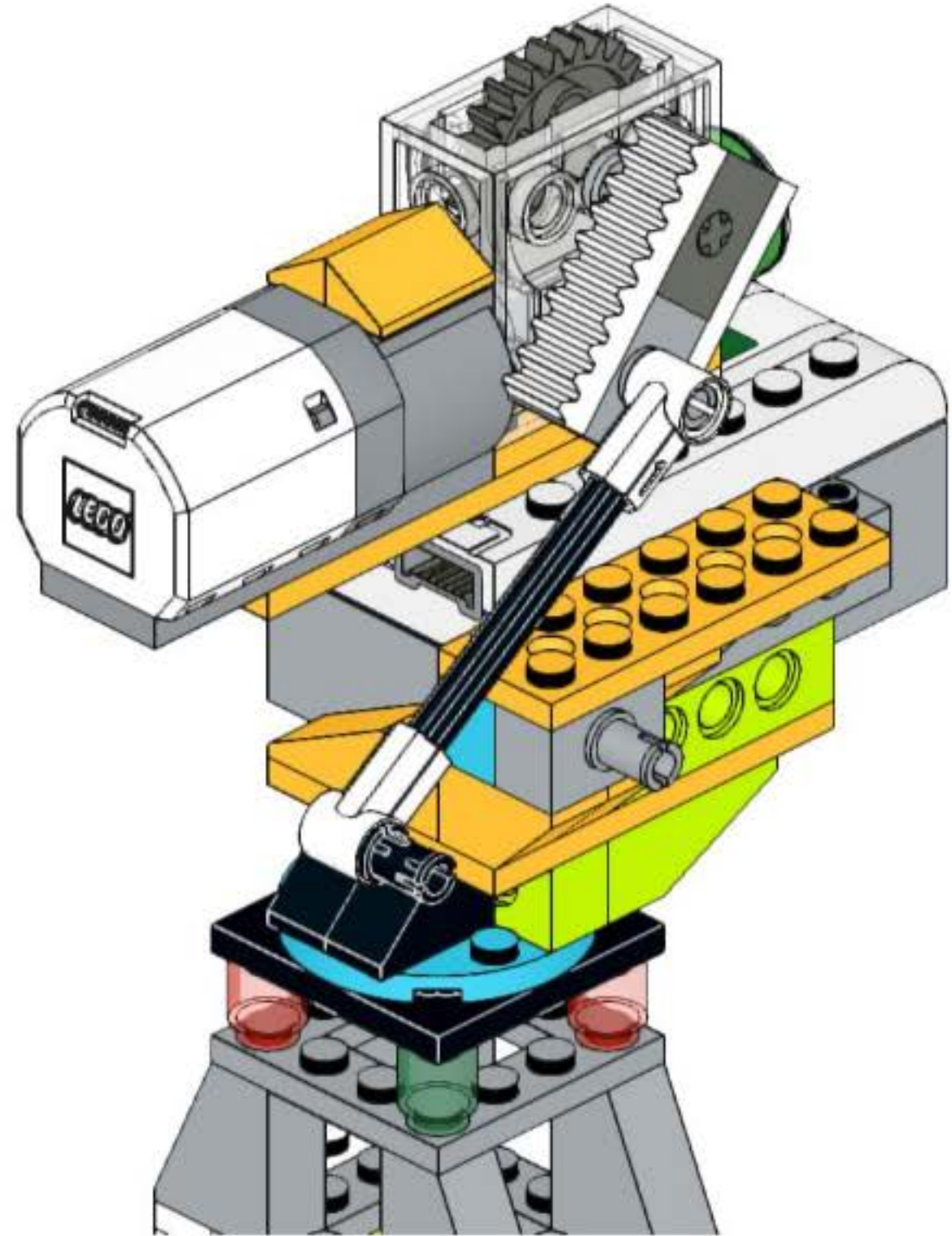


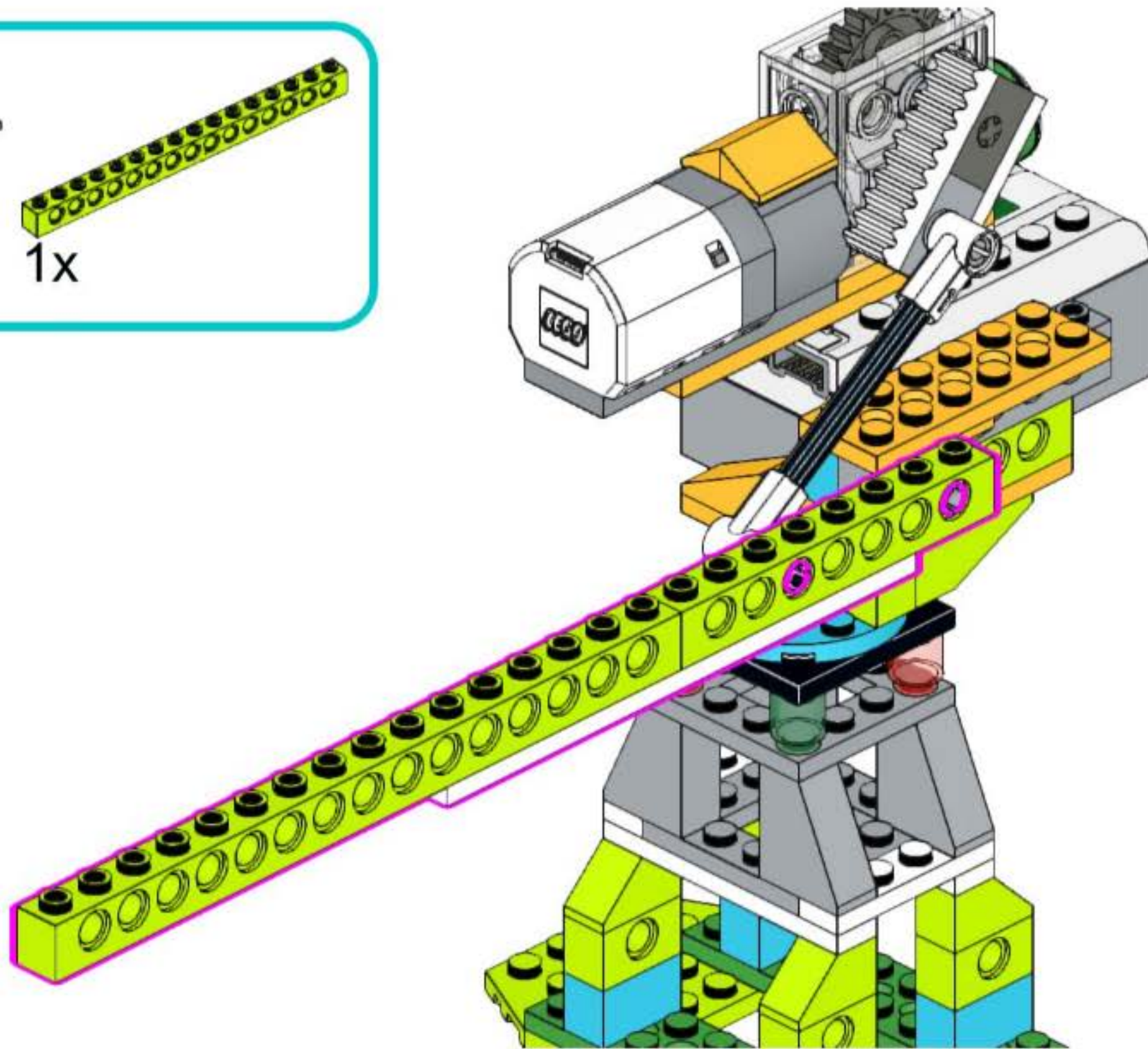
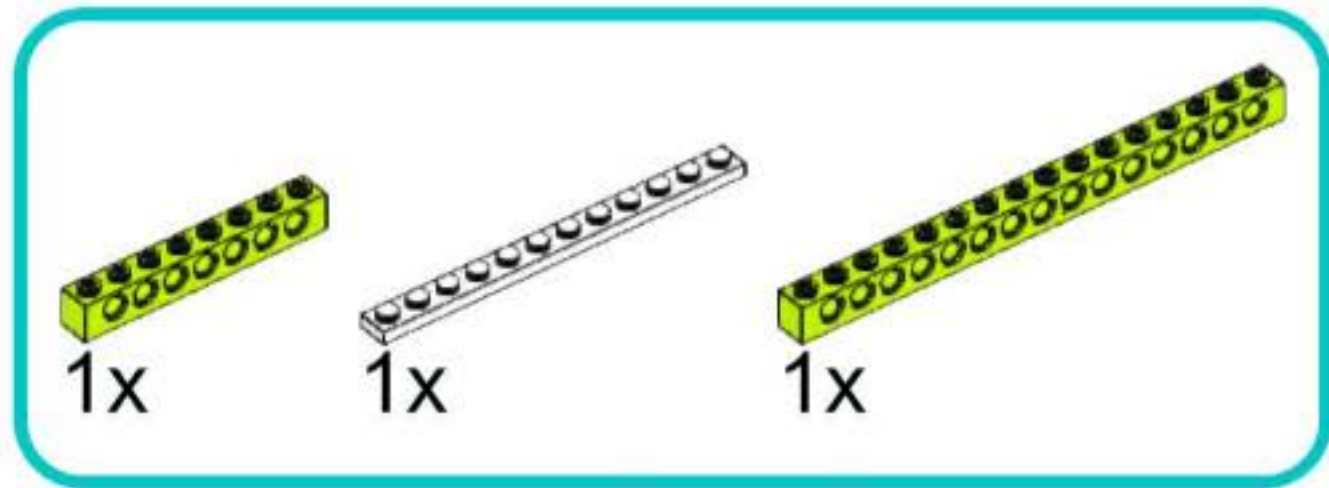


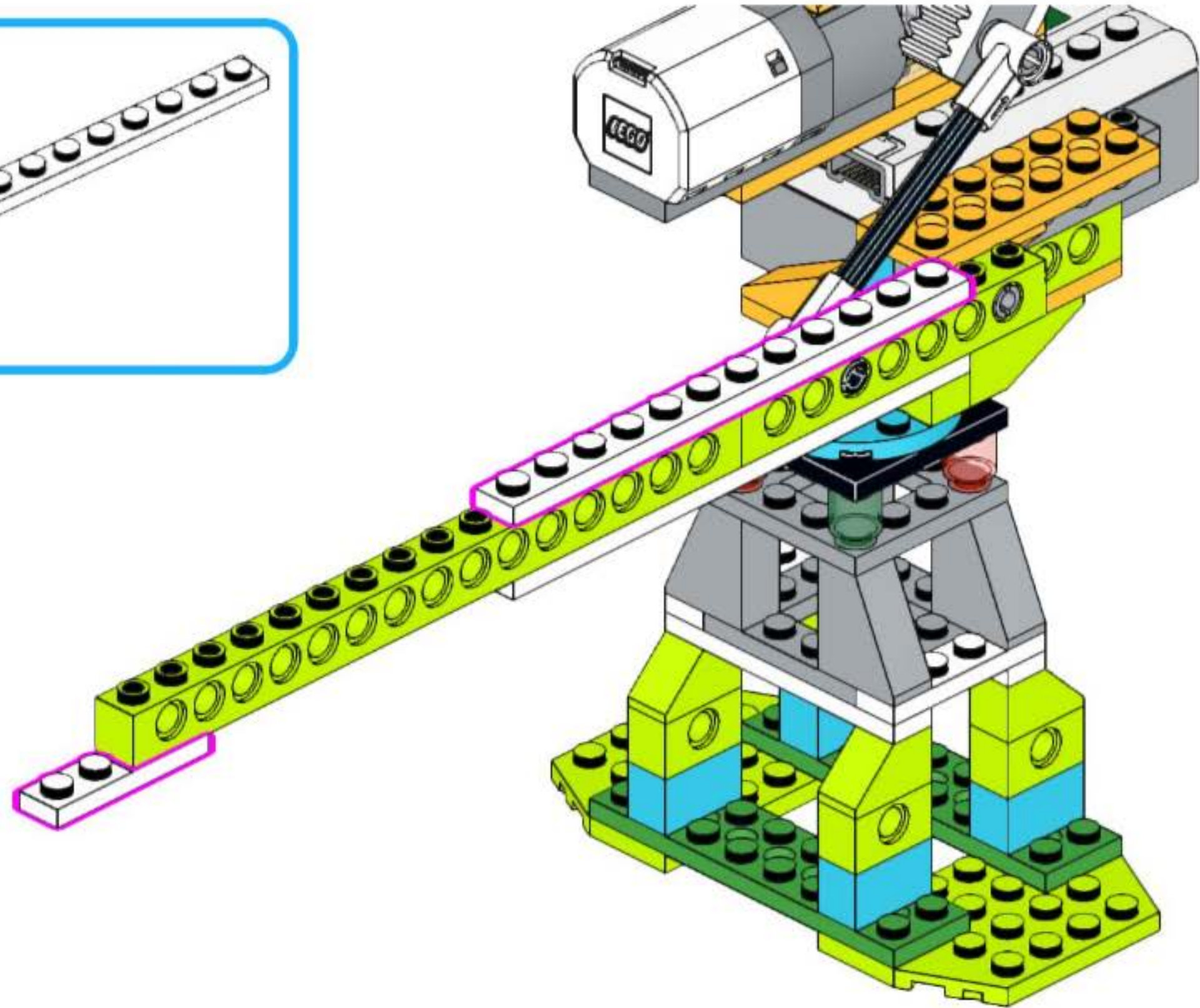
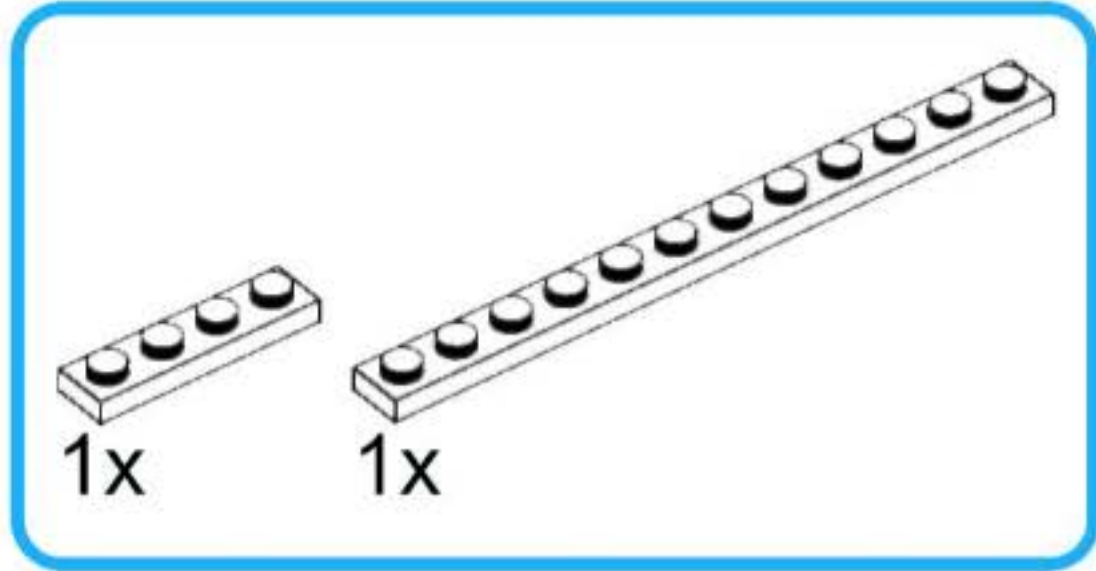


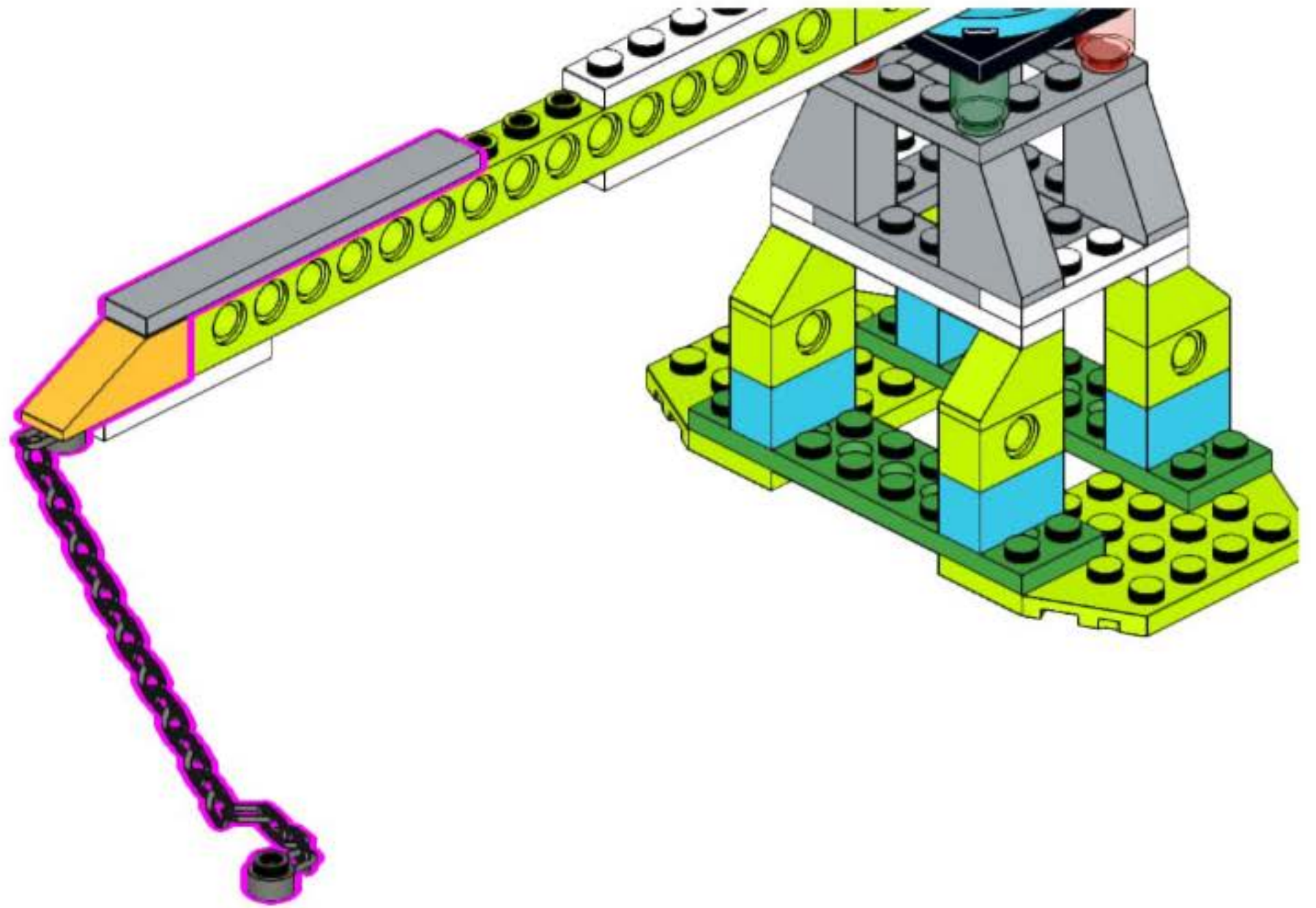
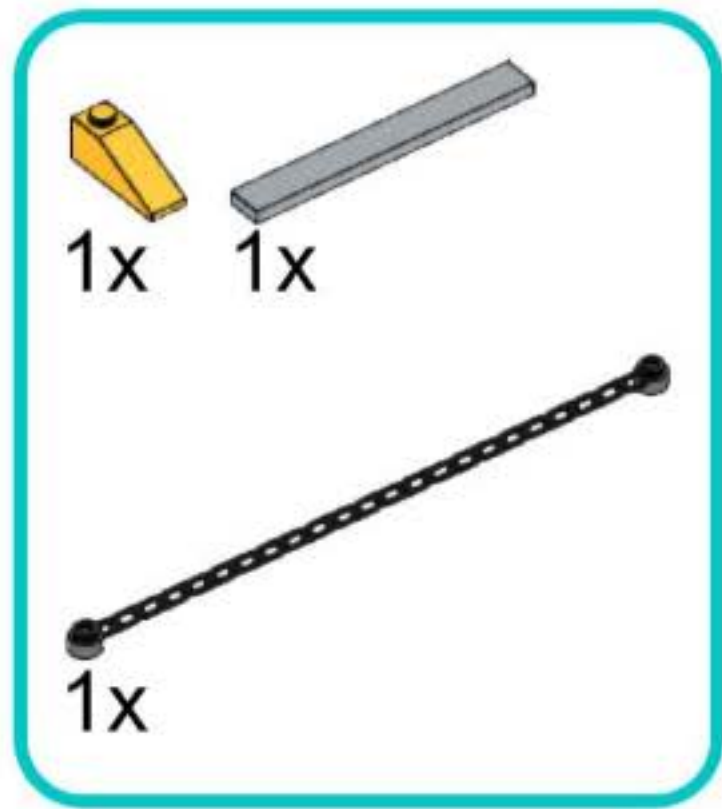


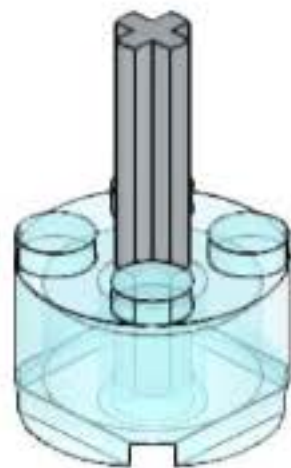
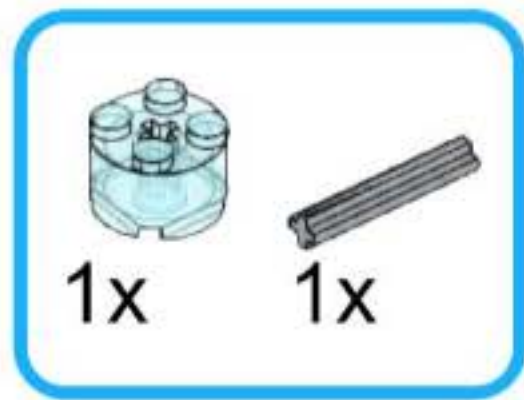


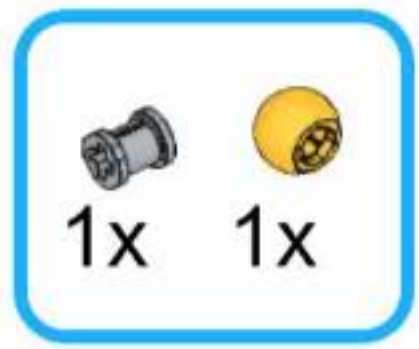


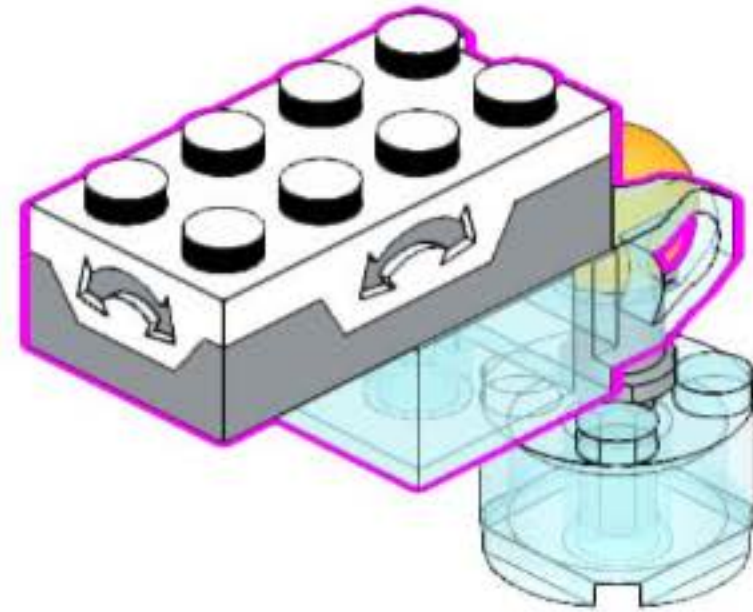
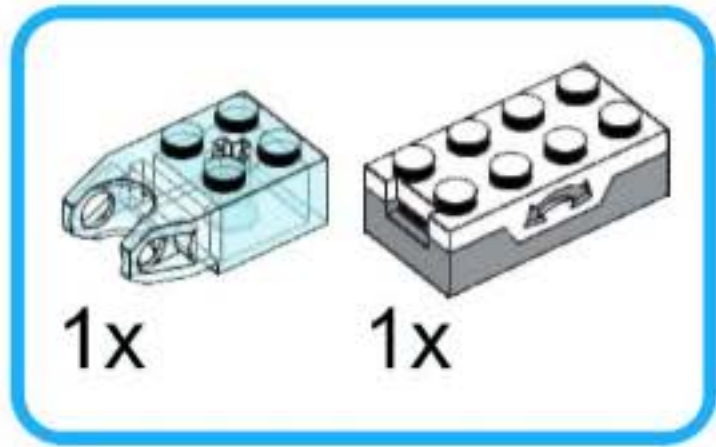


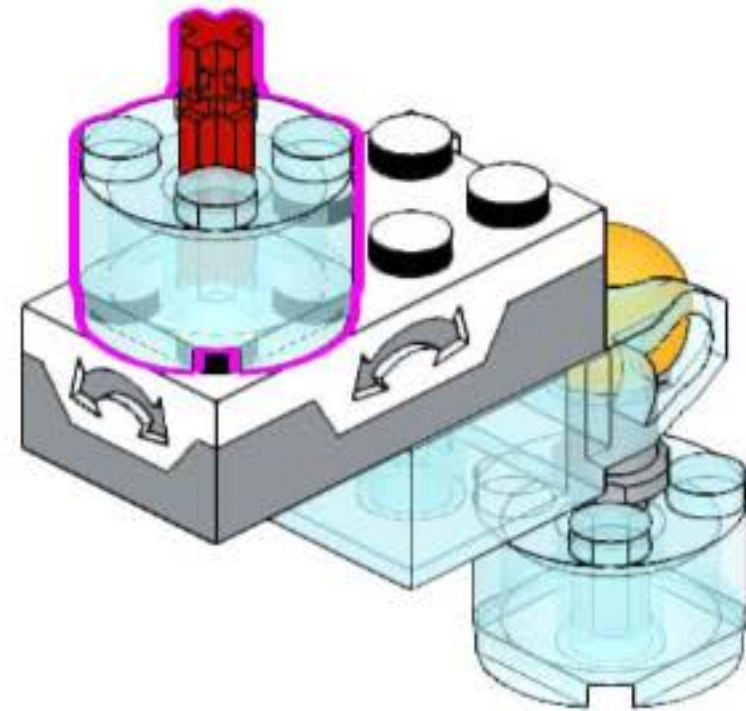
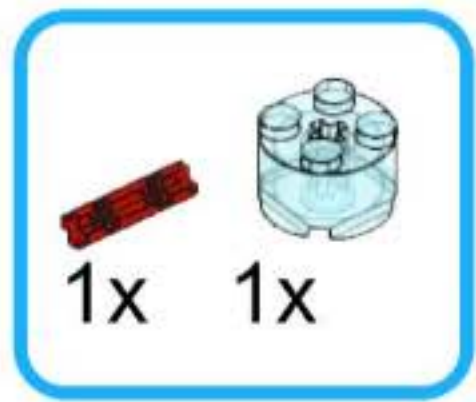


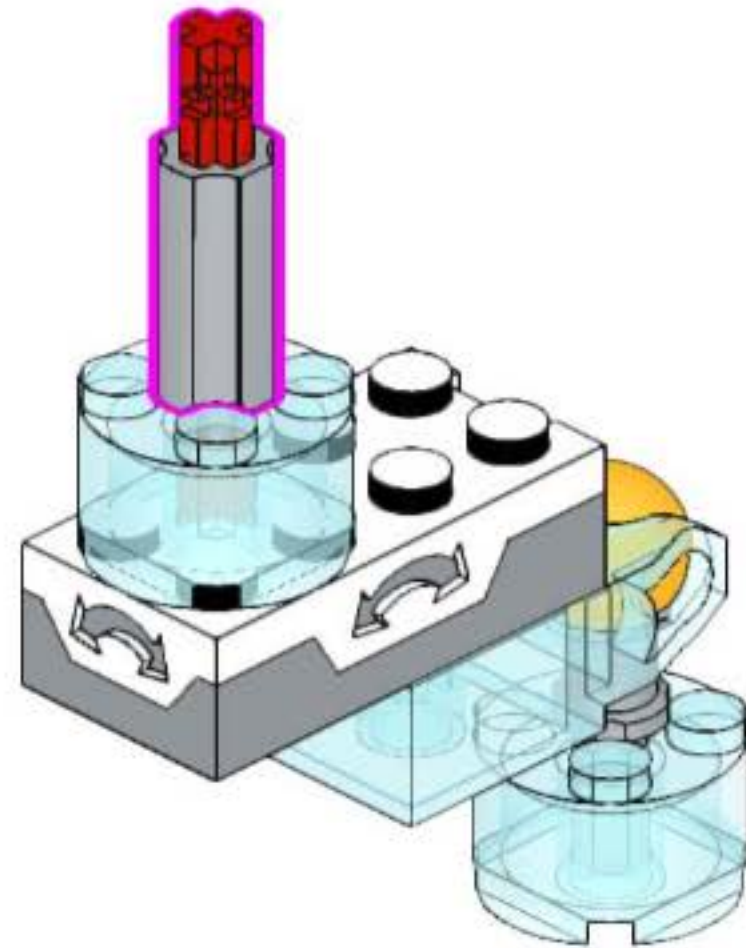
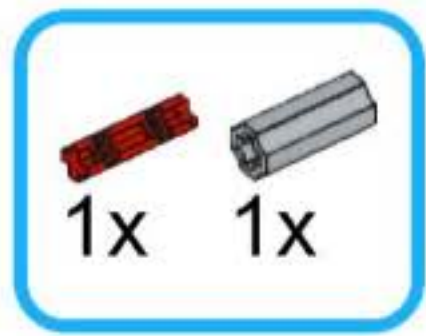


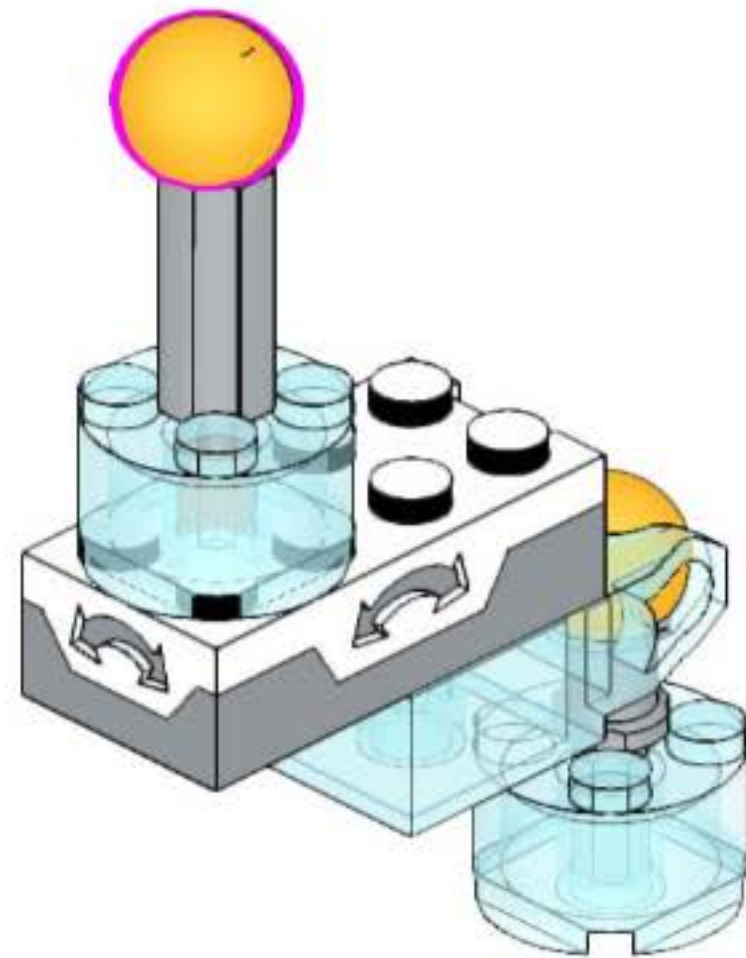


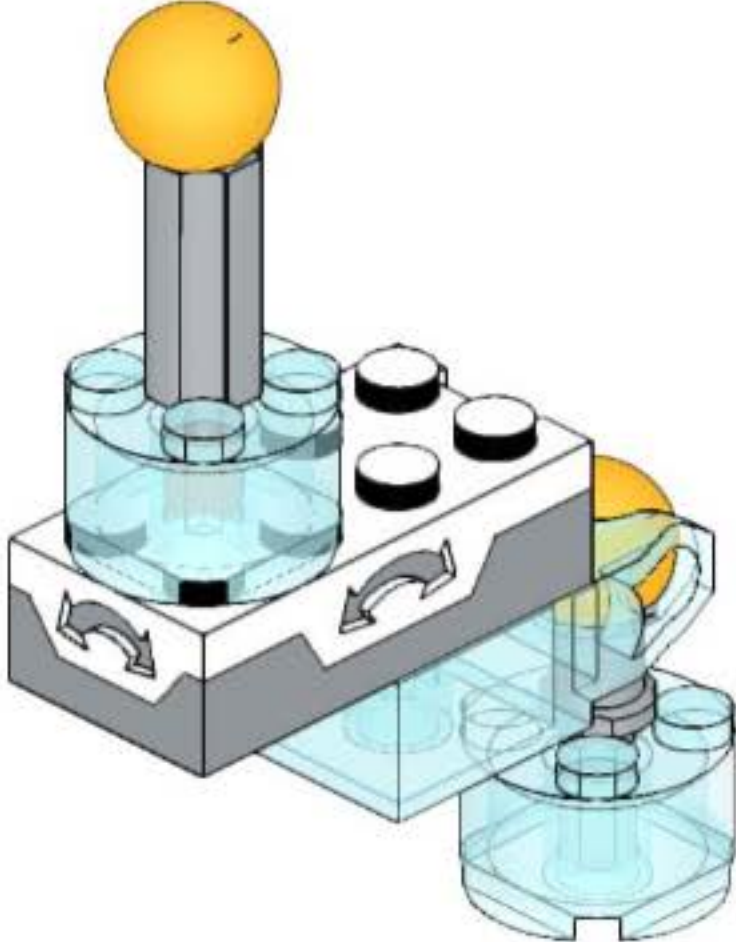


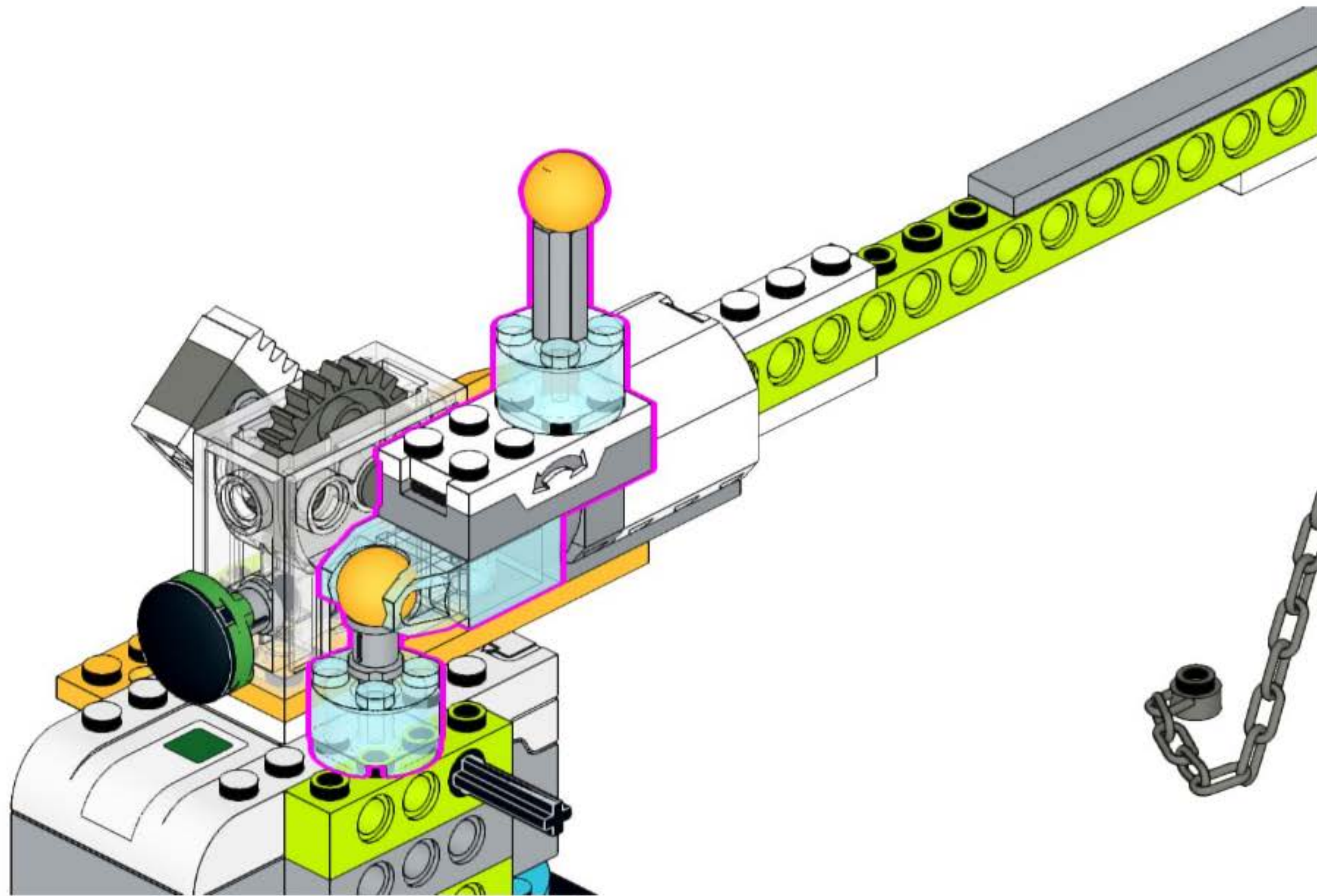


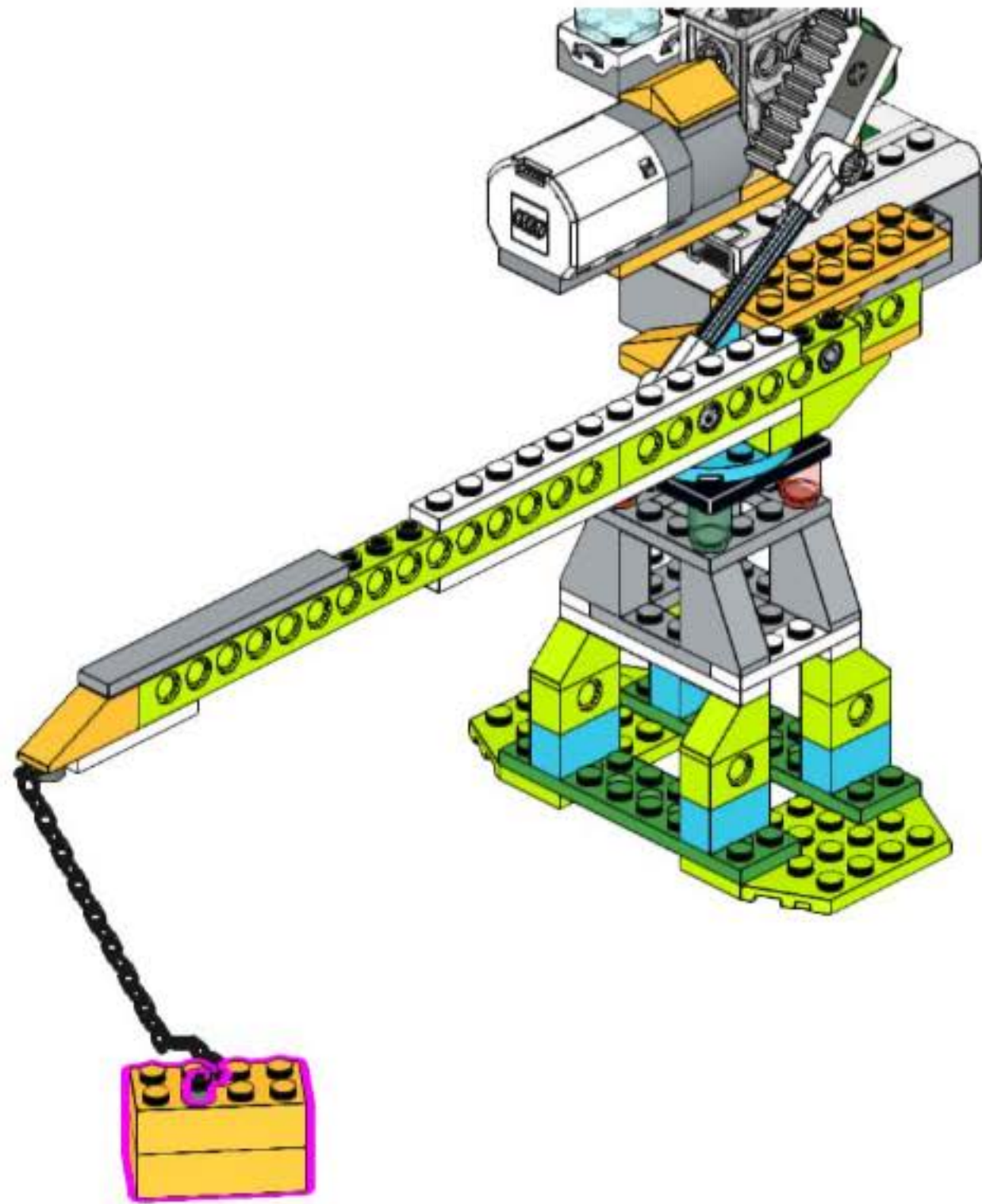
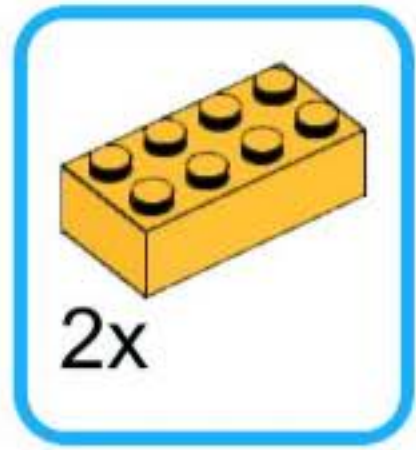








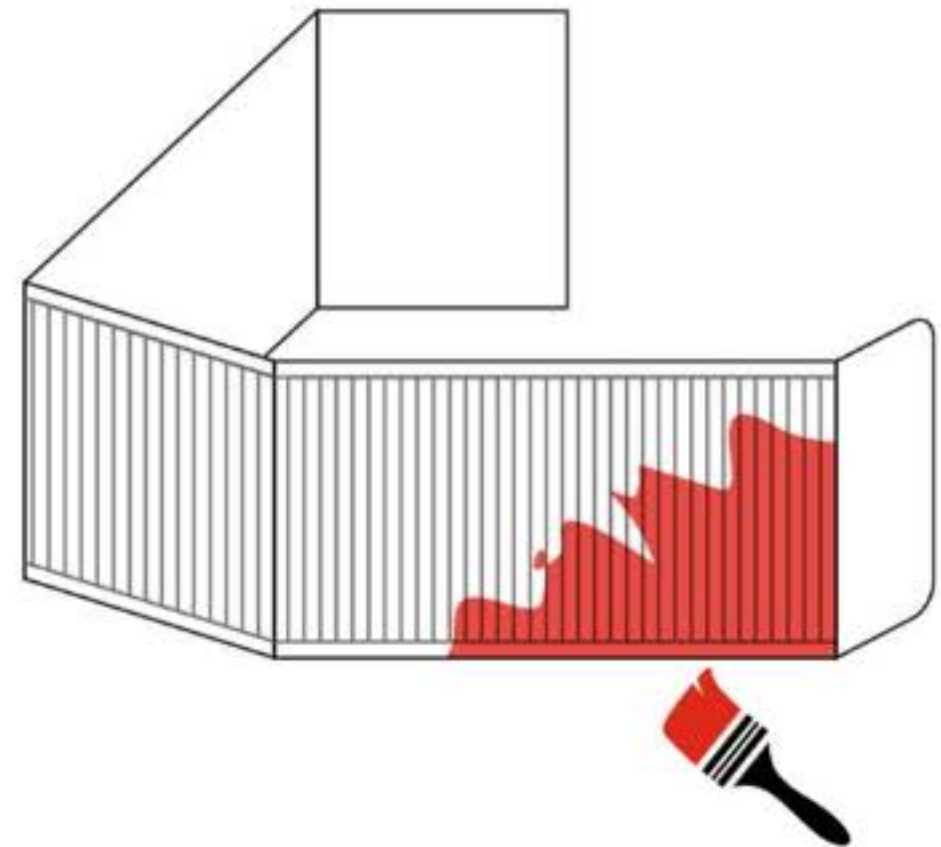
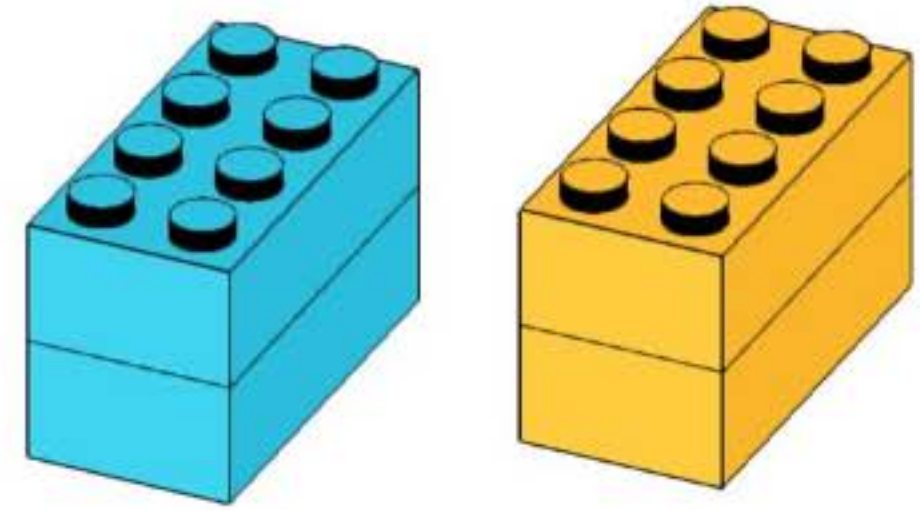




Task 1

Assemble a pair of loading containers from two 2x4 blocks.

Cut, color and glue the wrapper for our containers.



Task 2

Let's make a program for controlling the crane boom.



Task 3

Calculate how many times you need to run the program to fully raise or completely lower the crane boom. Let's change the program so that it raises or lowers the arrow completely.

Answer

6 times. Let's change the program.



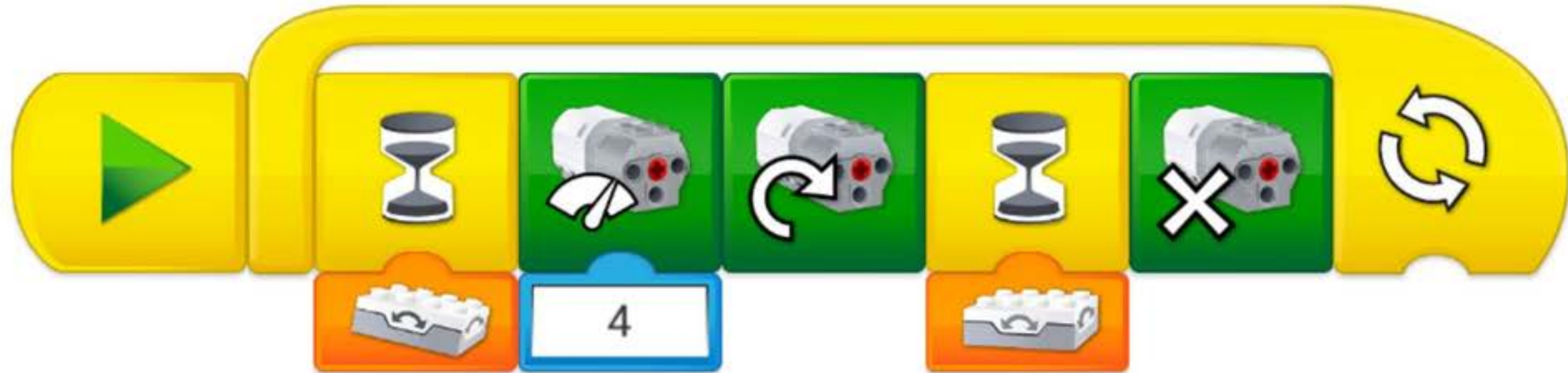
Task 4

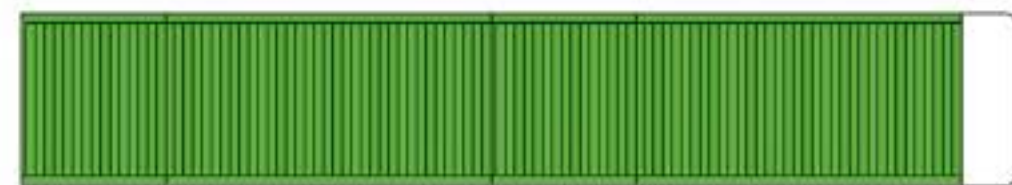
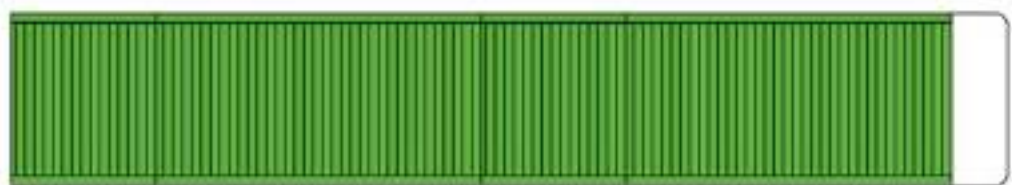
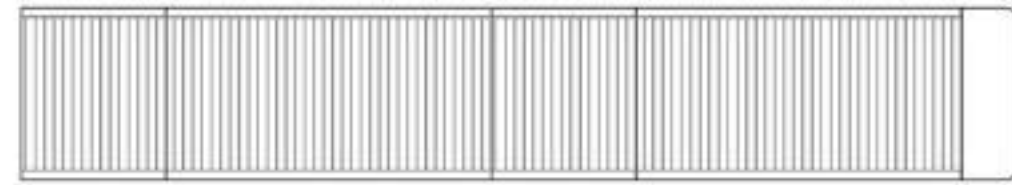
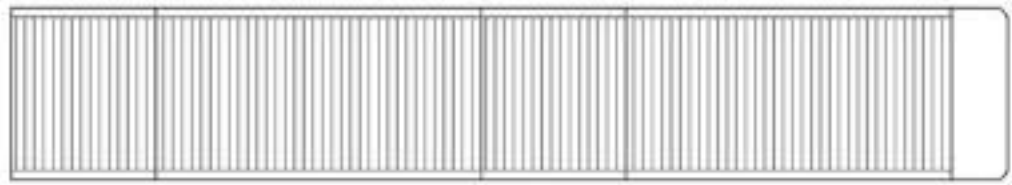
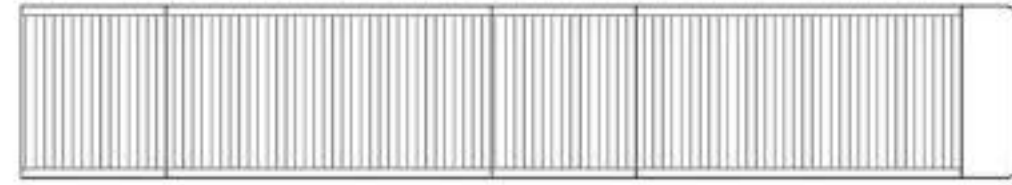
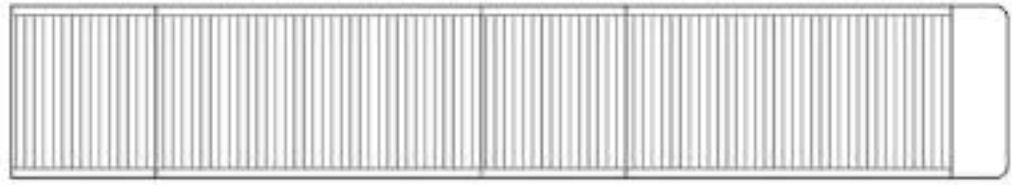
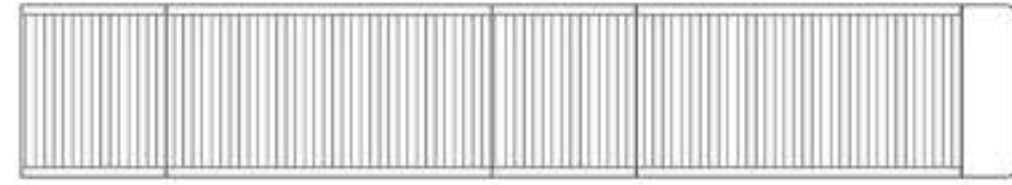
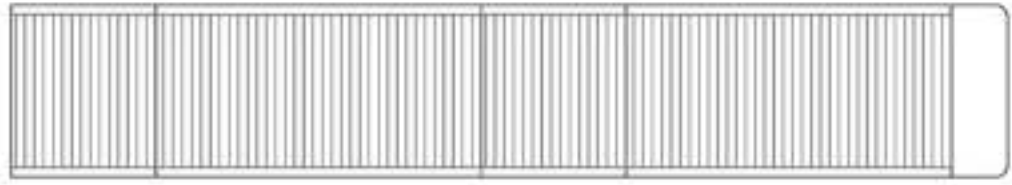
We will make a program that will allow you to control the crane with a lever.



Task 5

Let's change the program so that you can raise and lower the arrow several times.





Materials for the lesson

Pattern «Containers»

