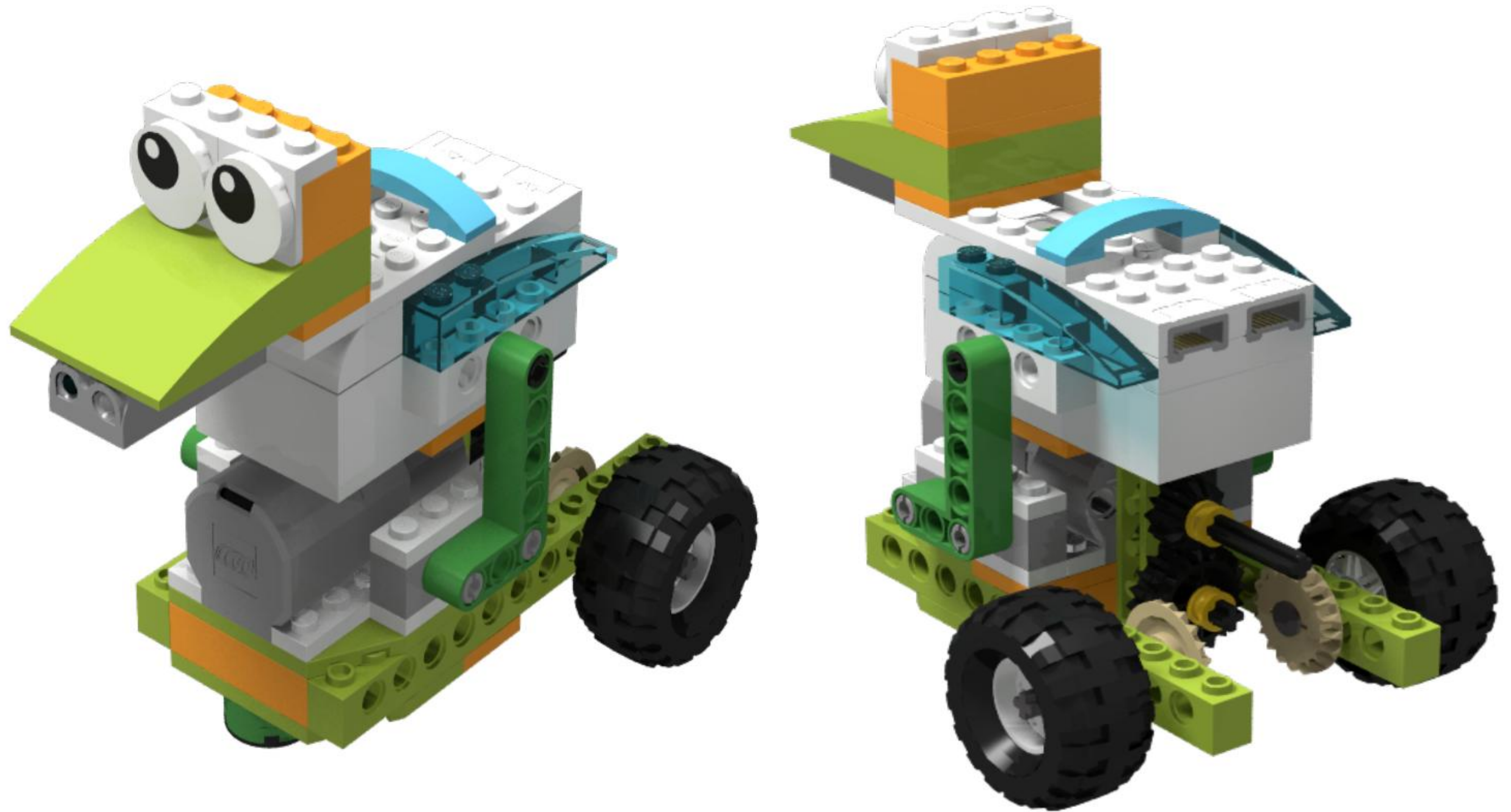
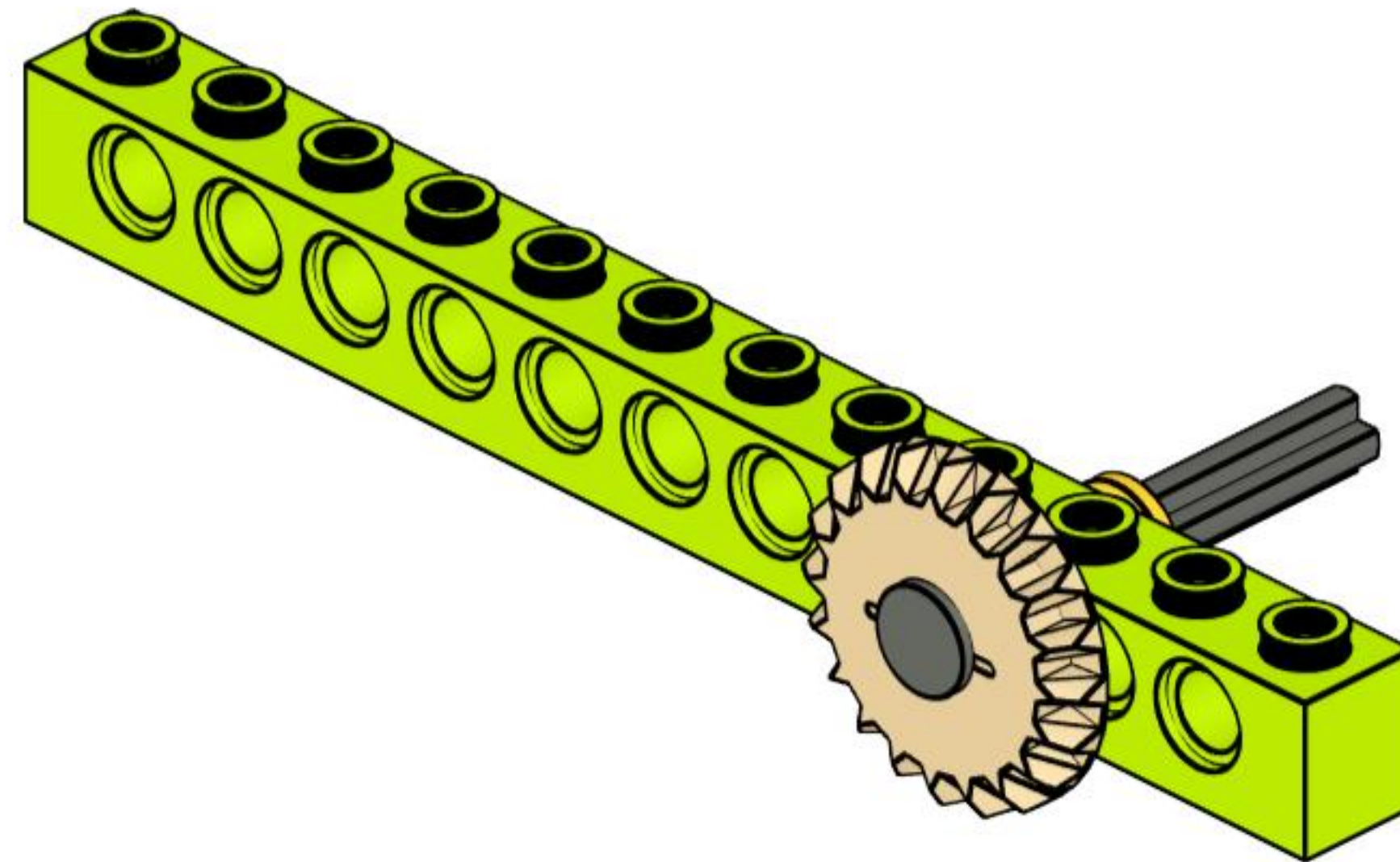
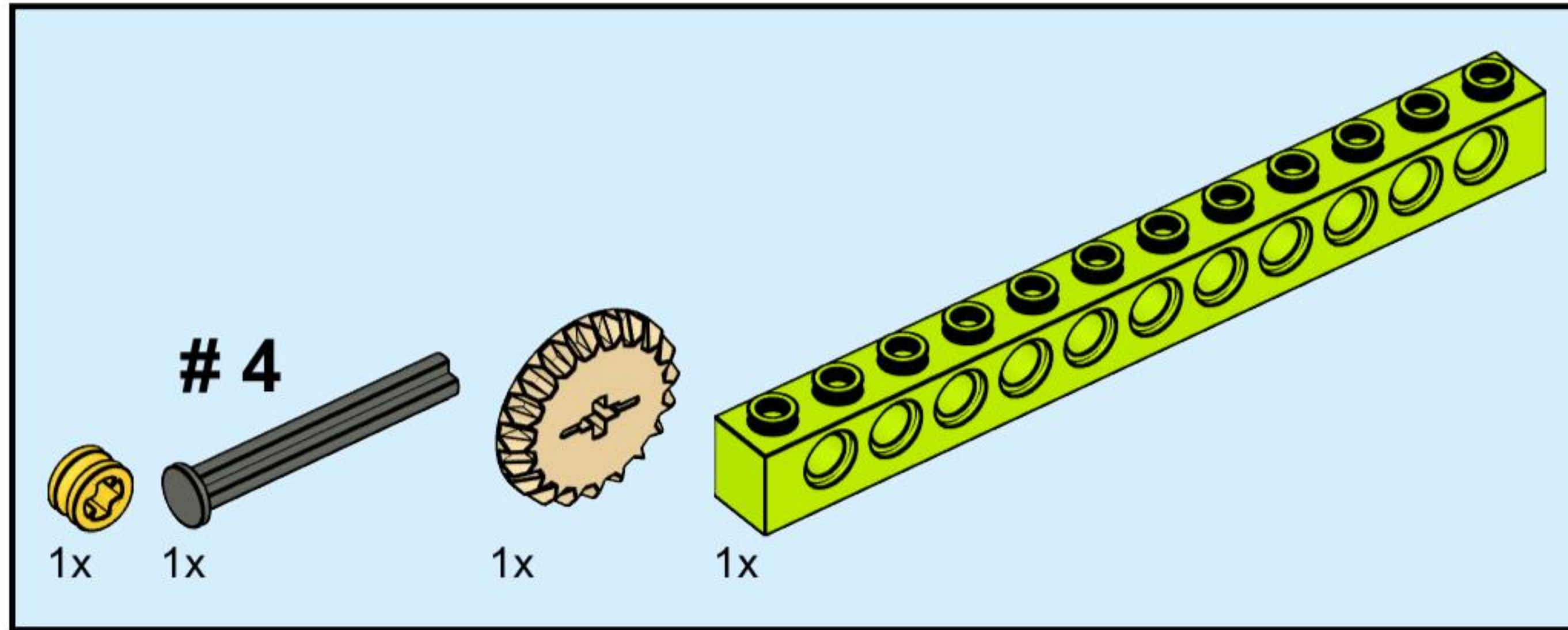


Build Dodger Duck! He'll turn when he sees you!

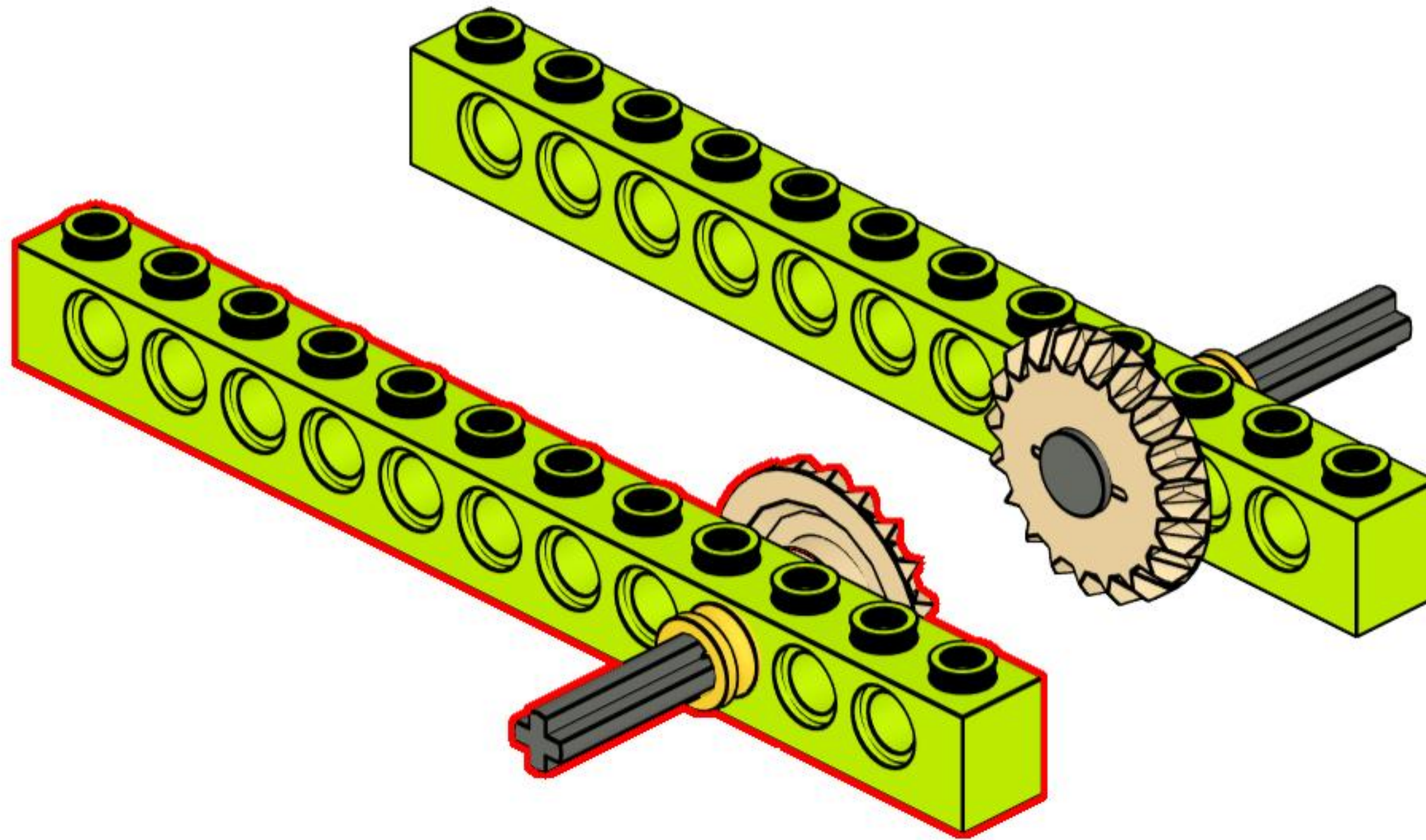
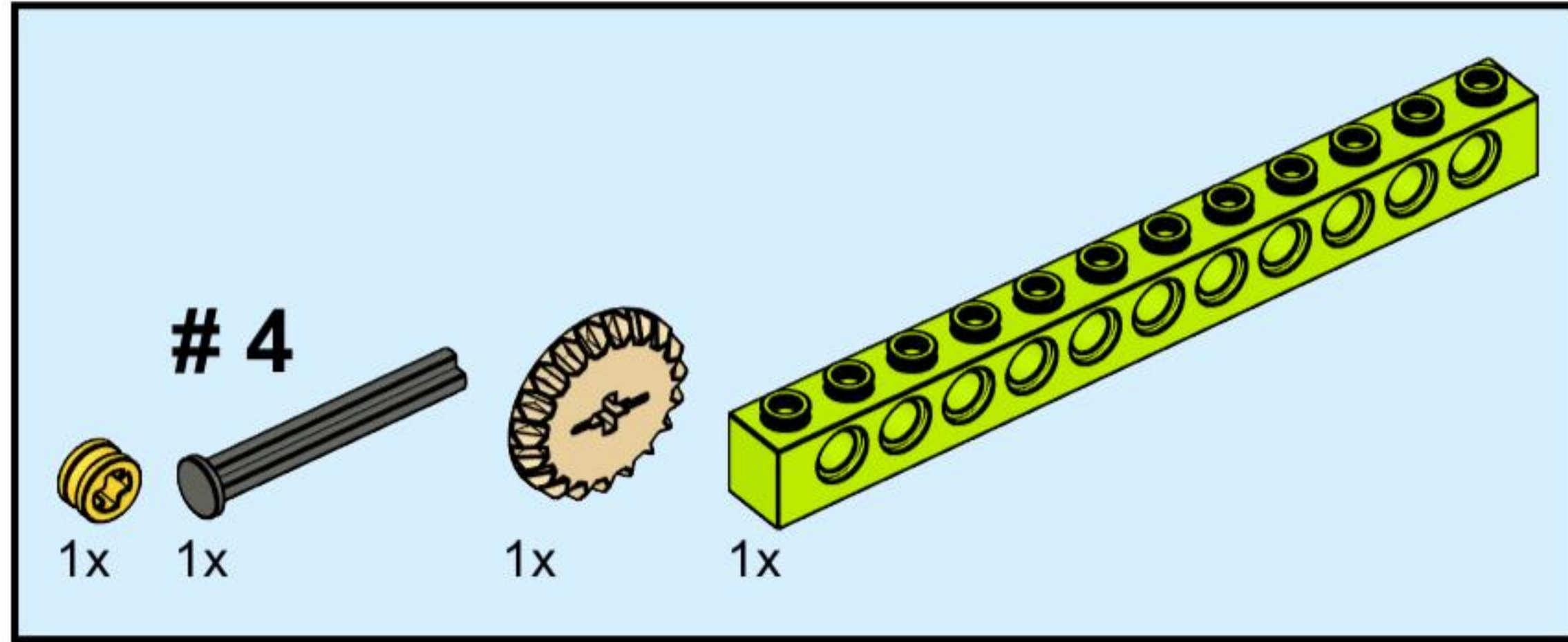


1

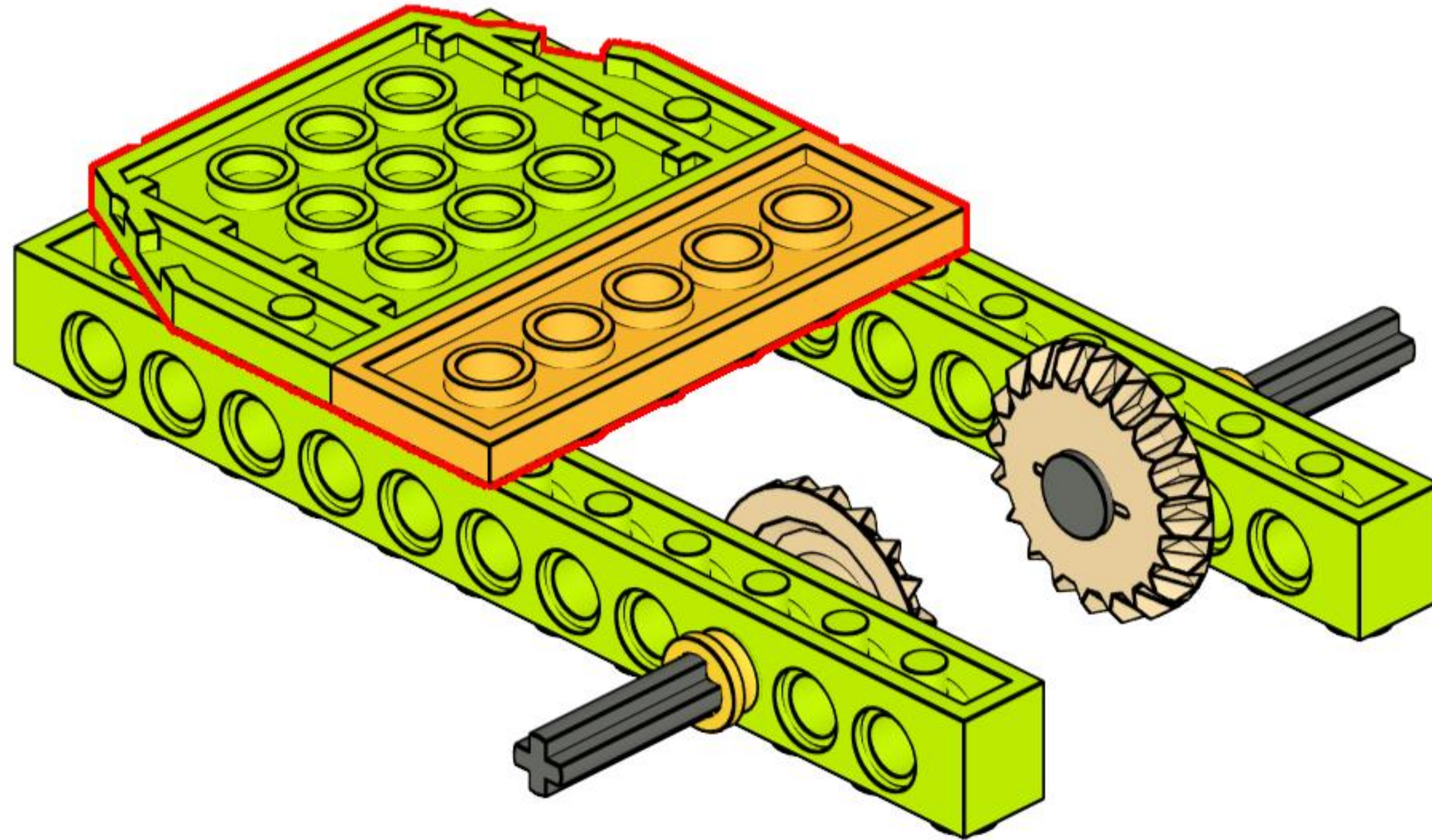
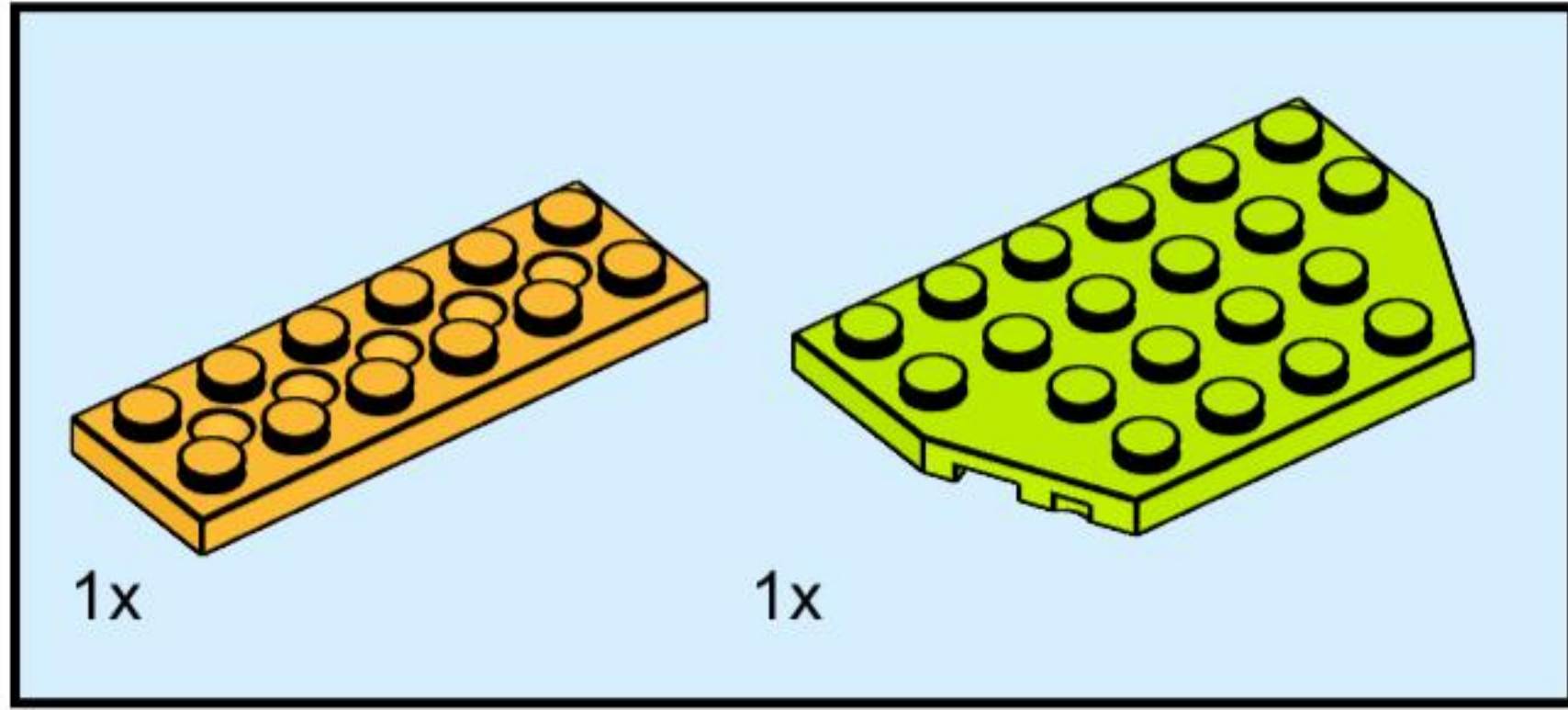


**Axle goes in 3rd
hole back**

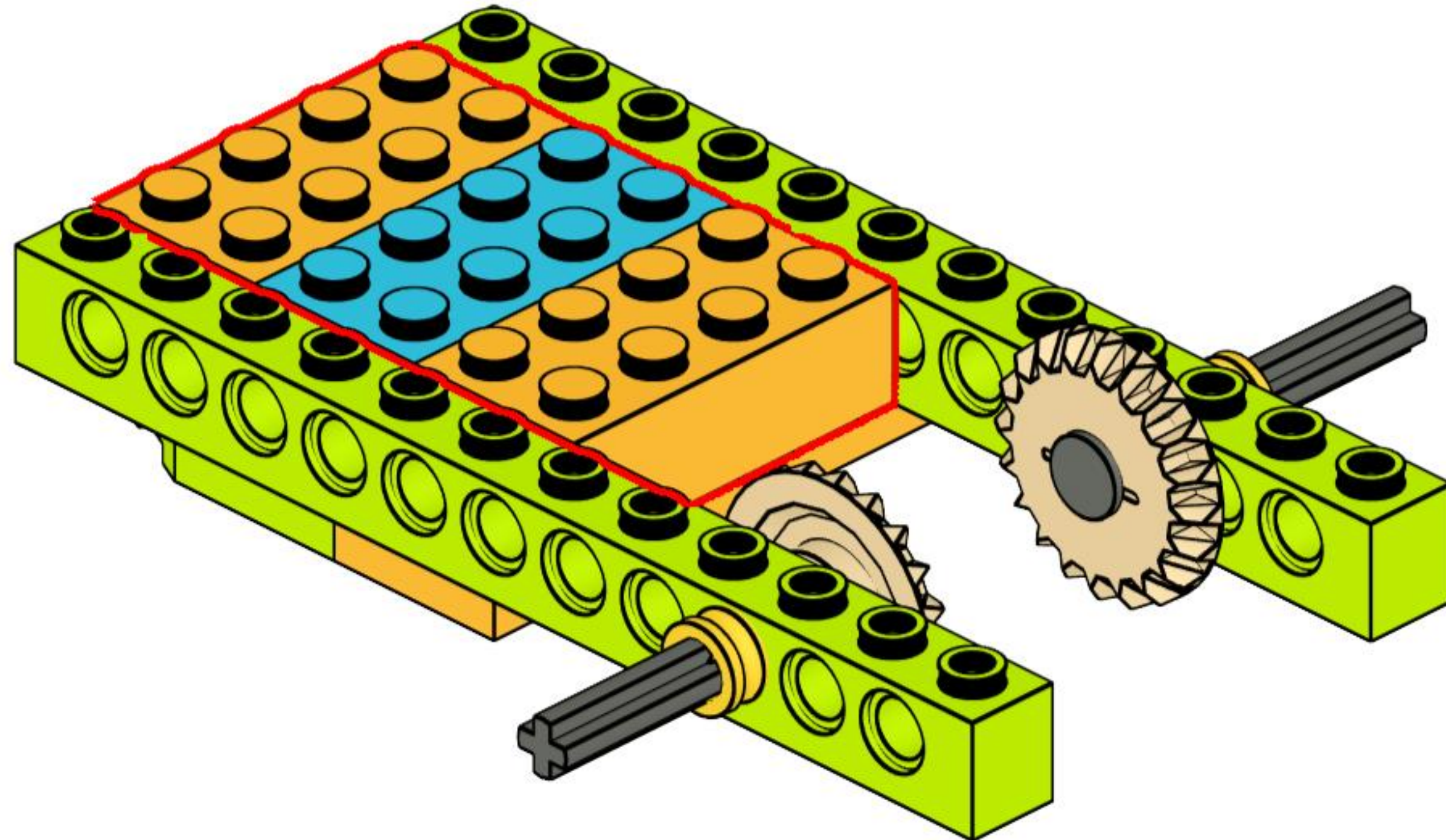
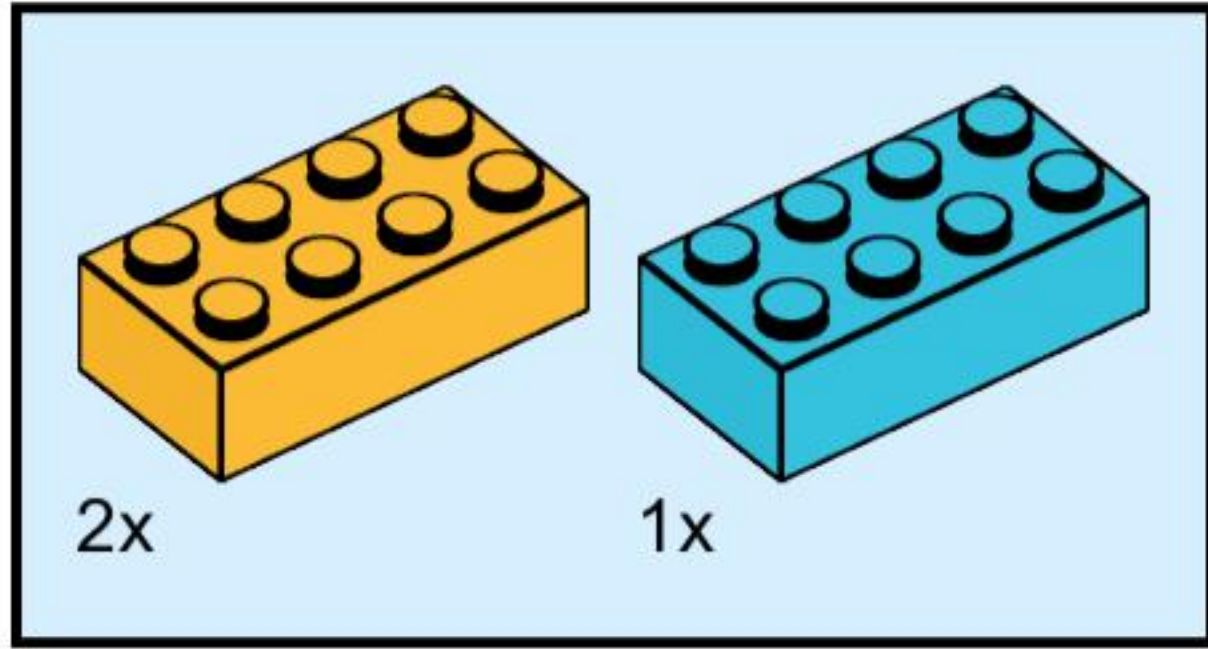
2



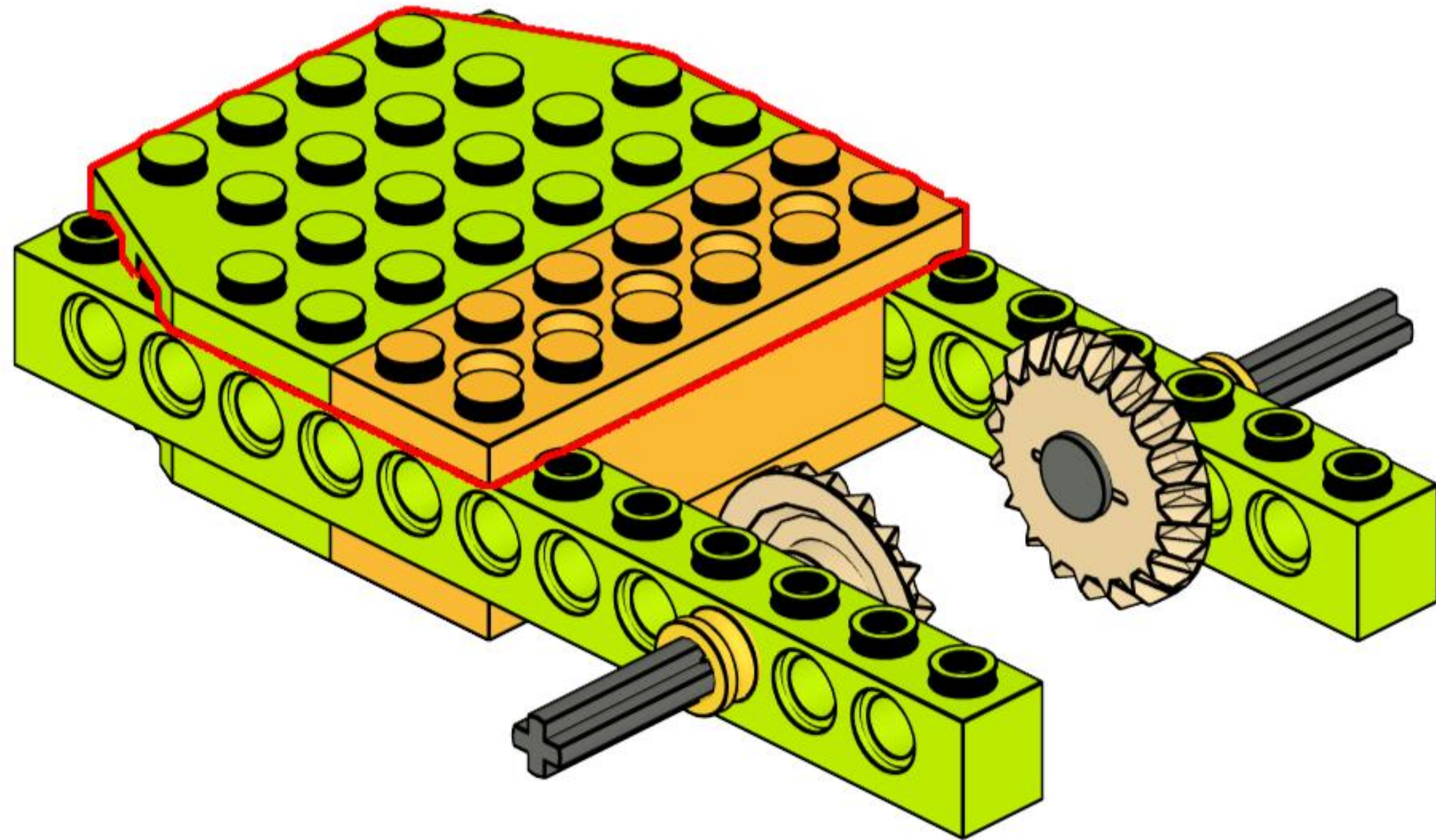
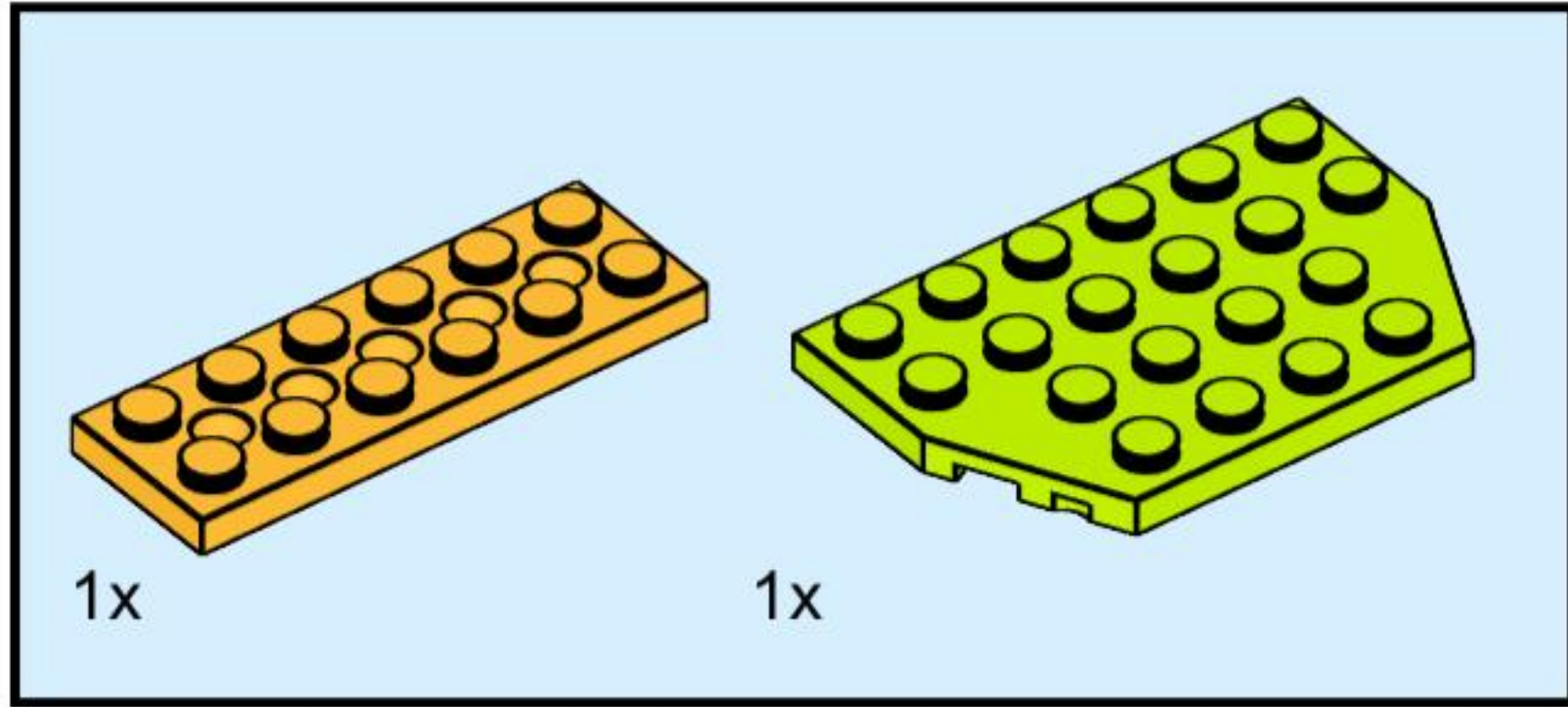
3



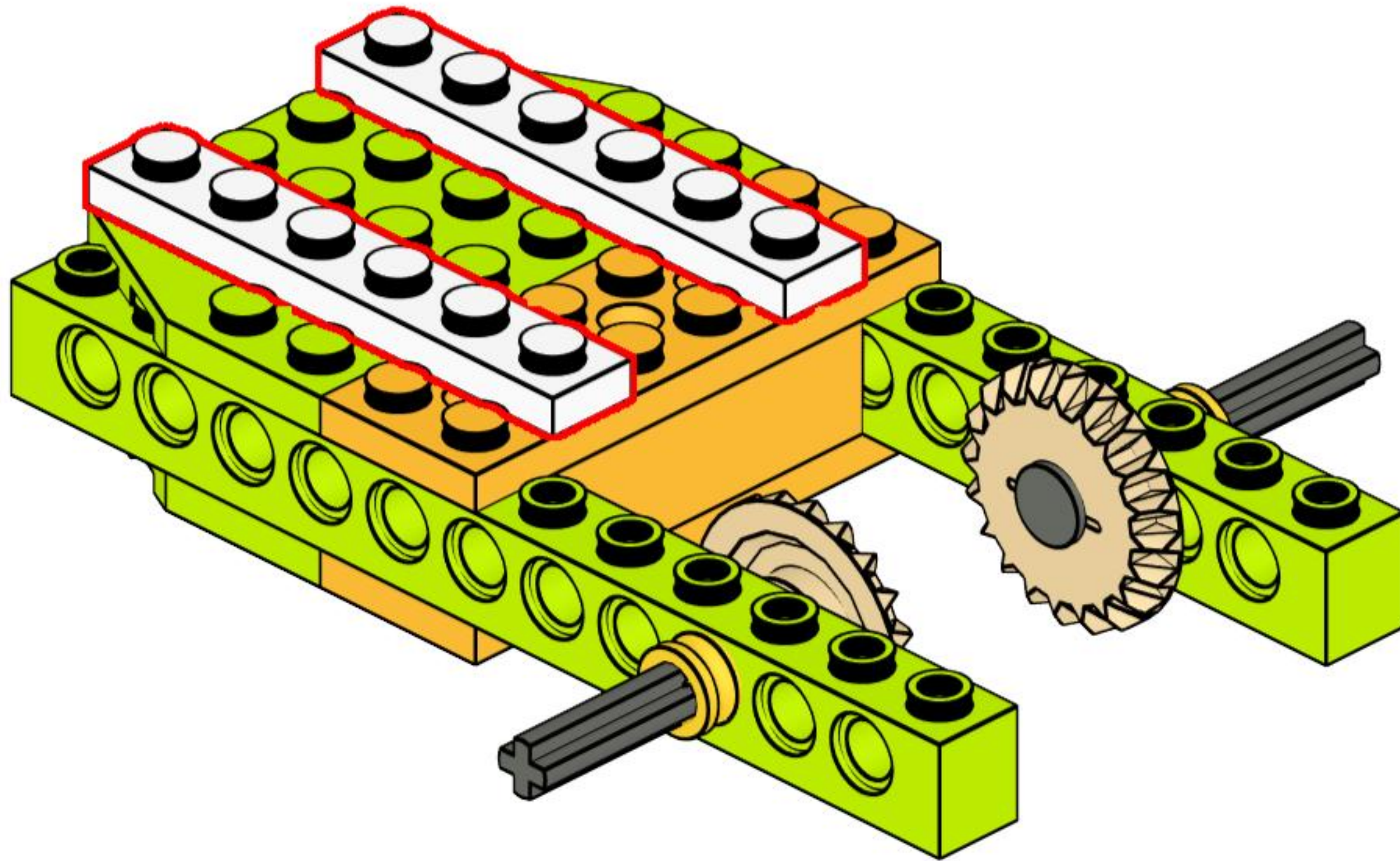
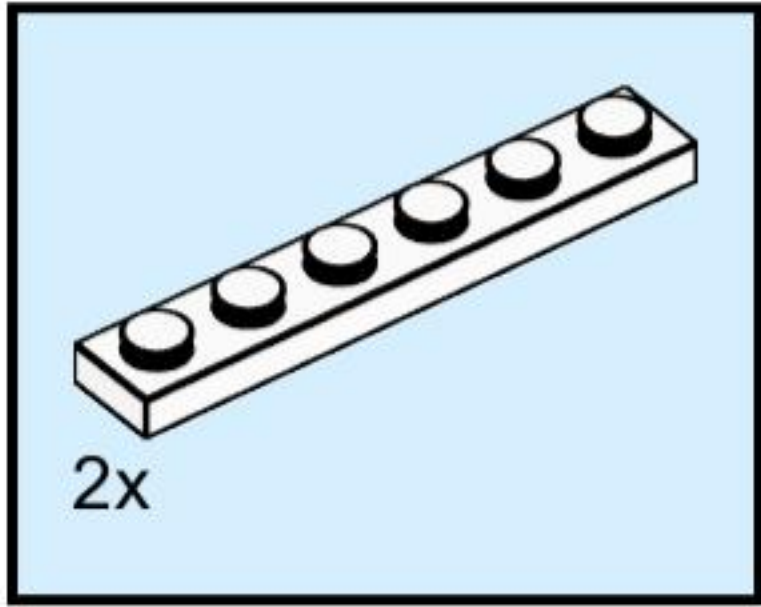
4



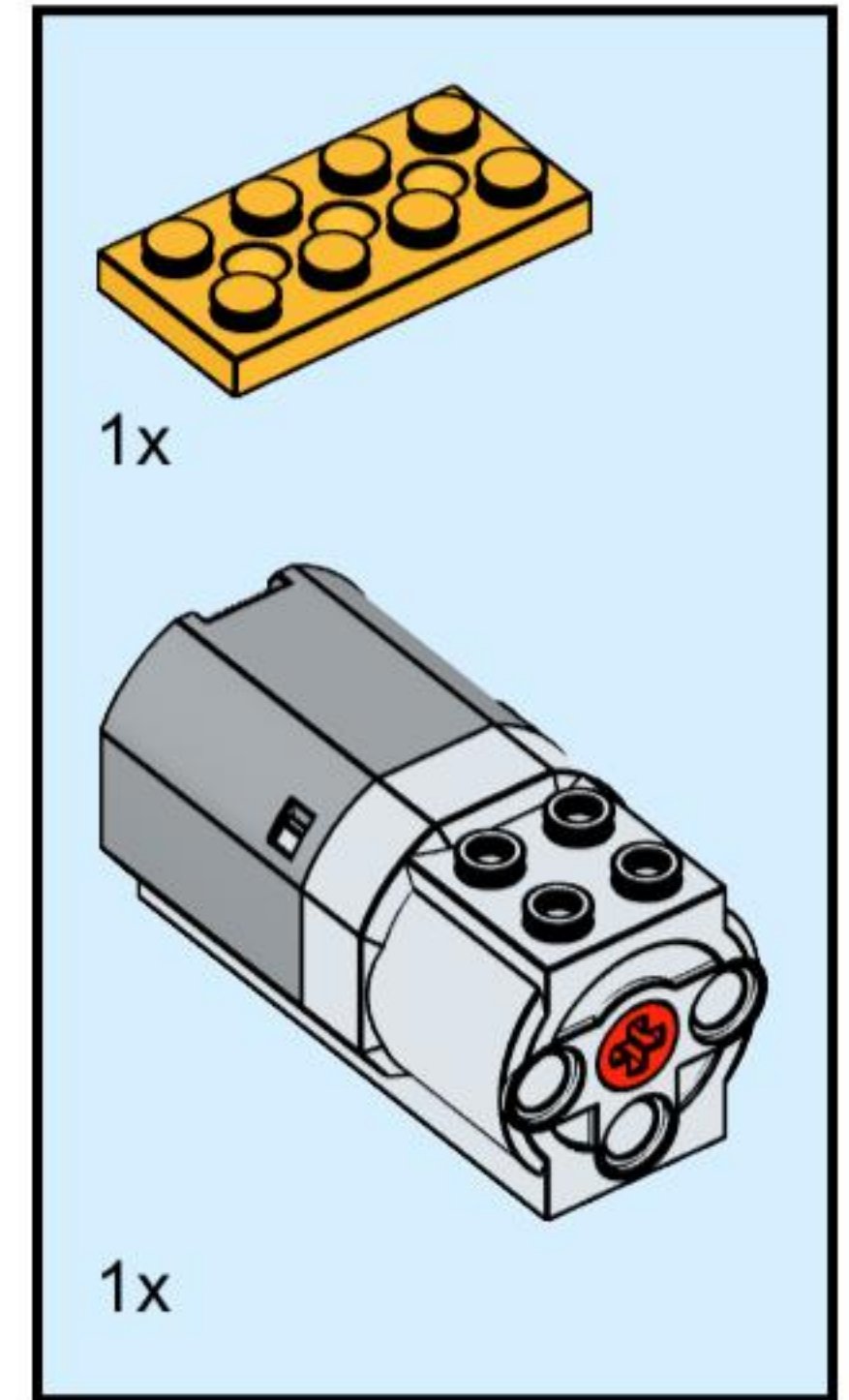
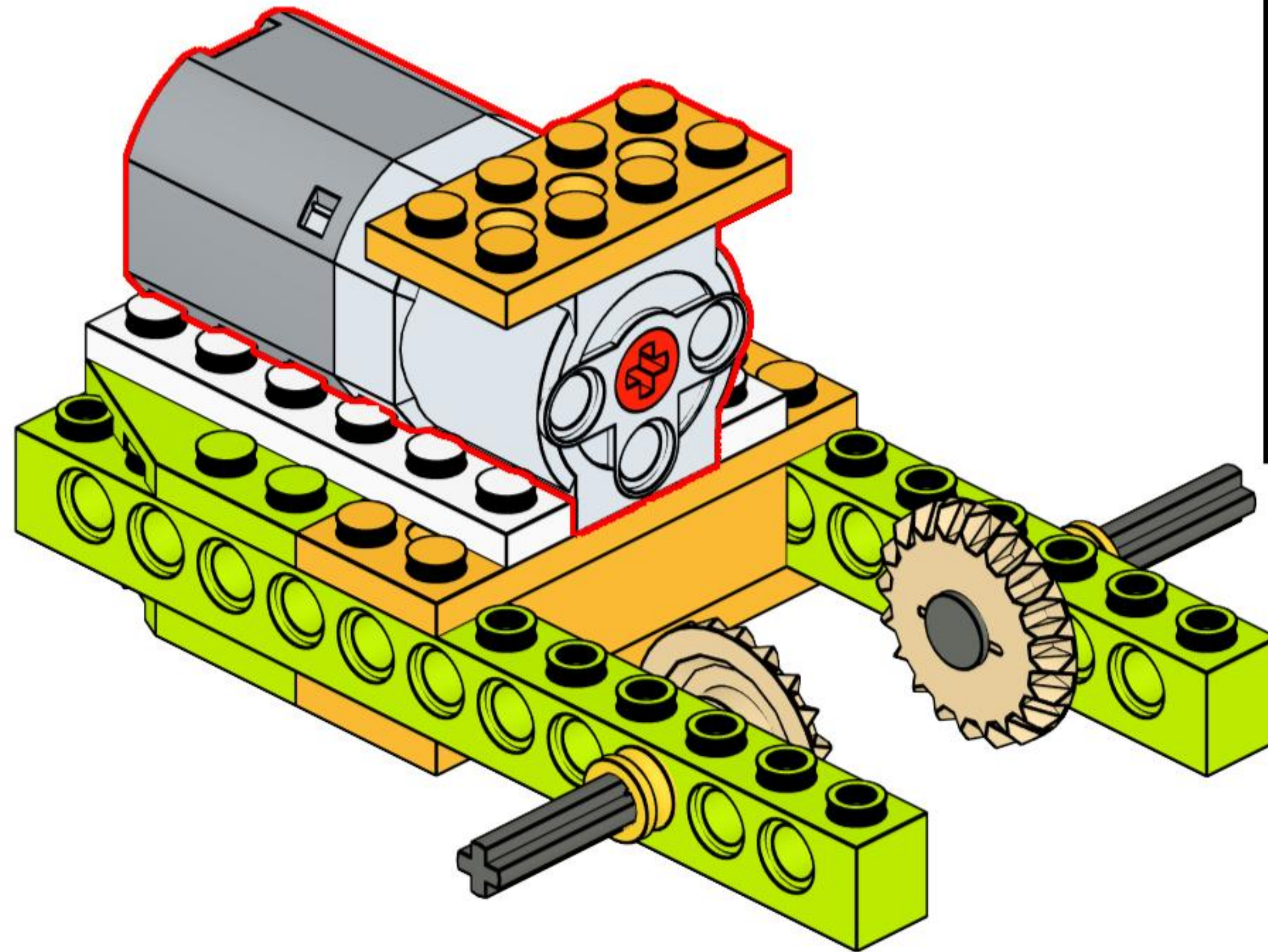
5



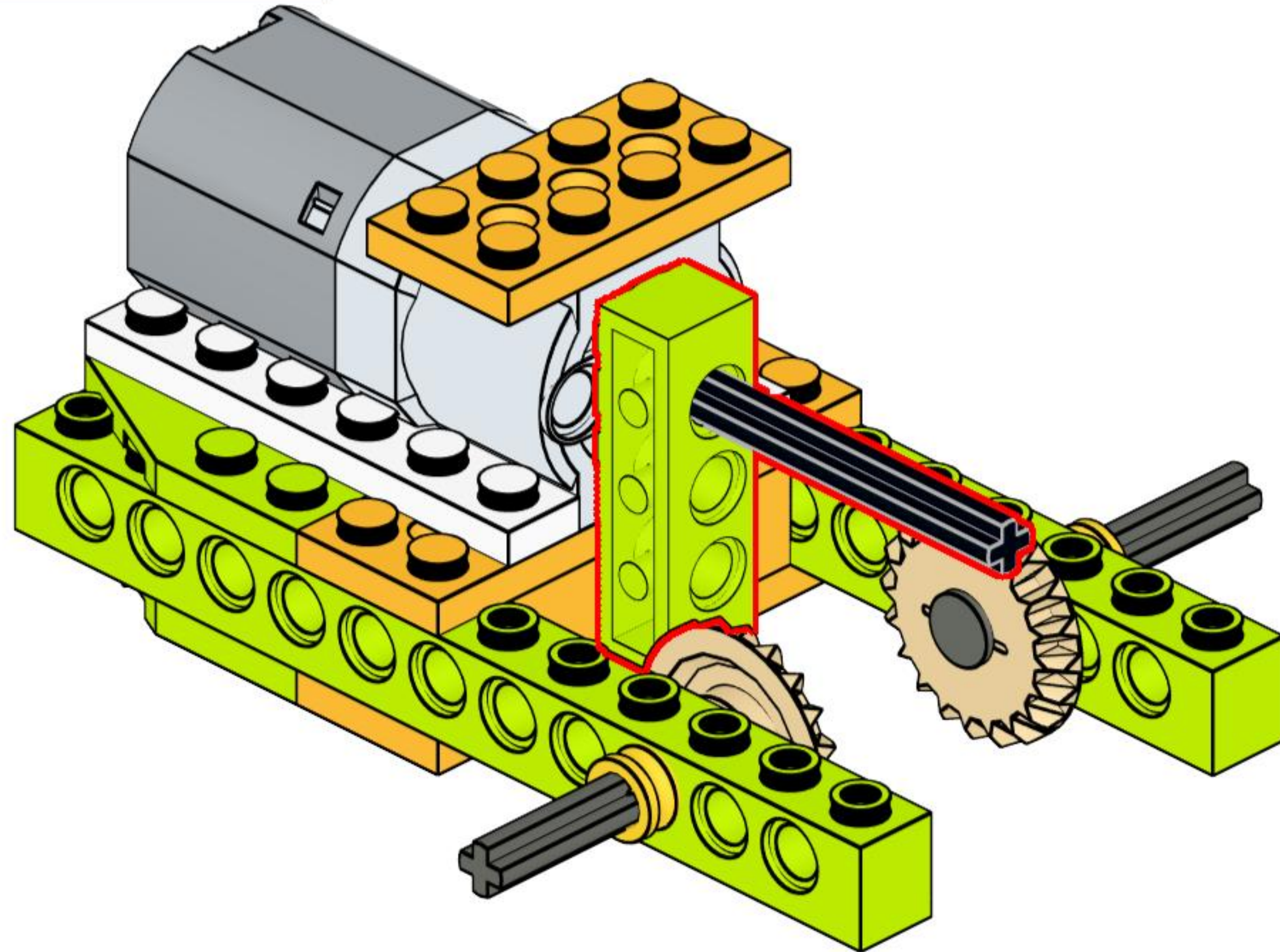
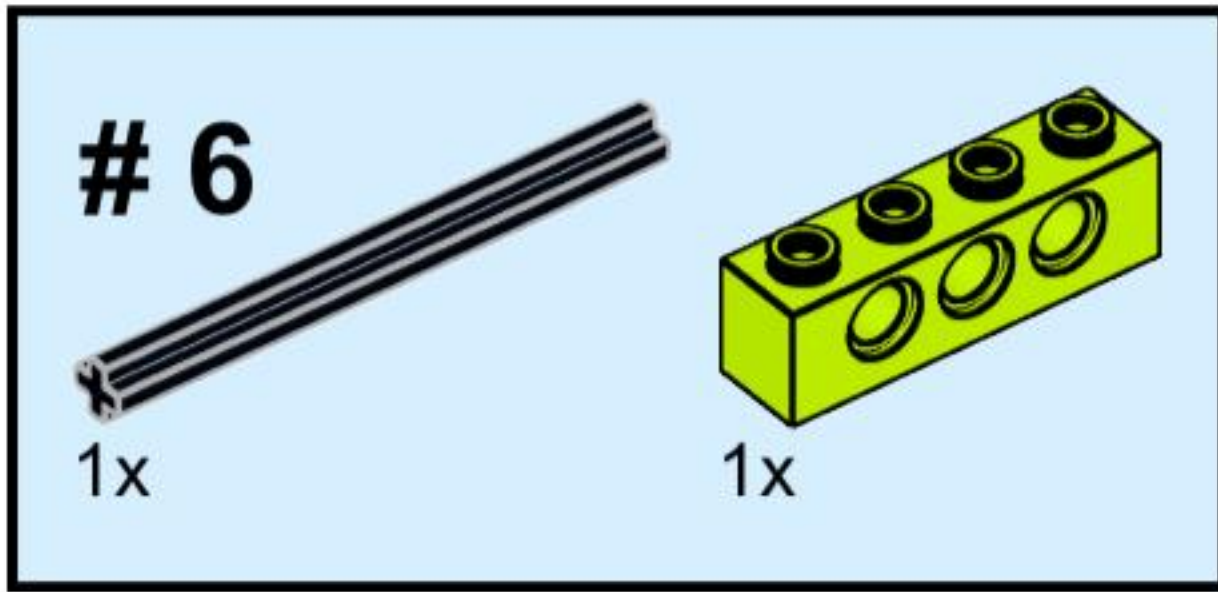
6



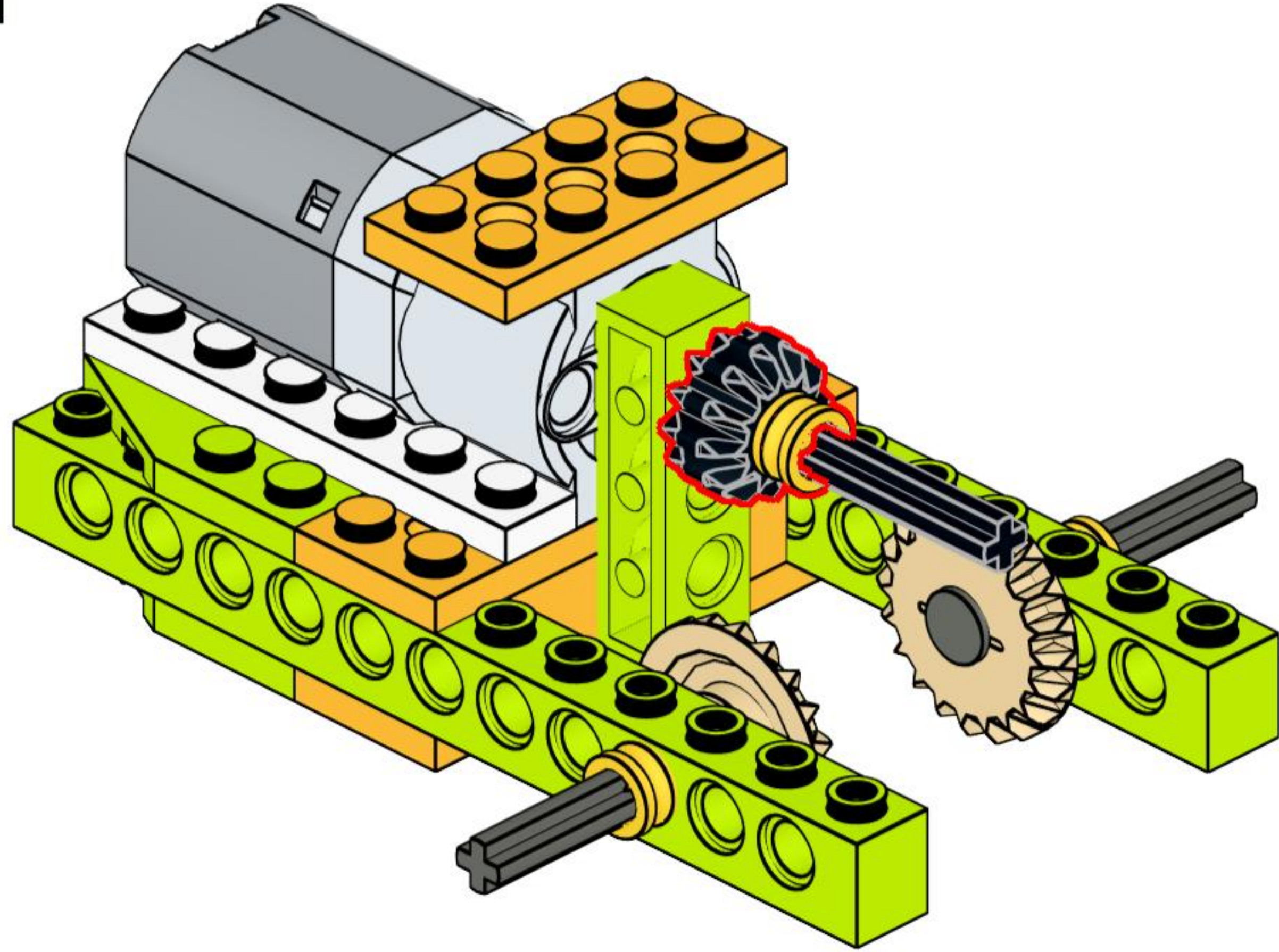
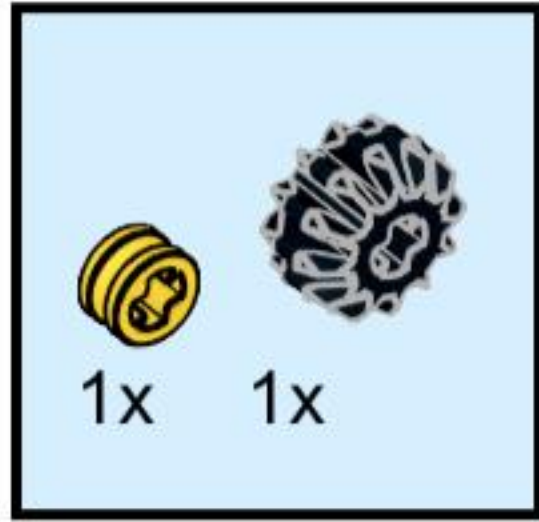
7



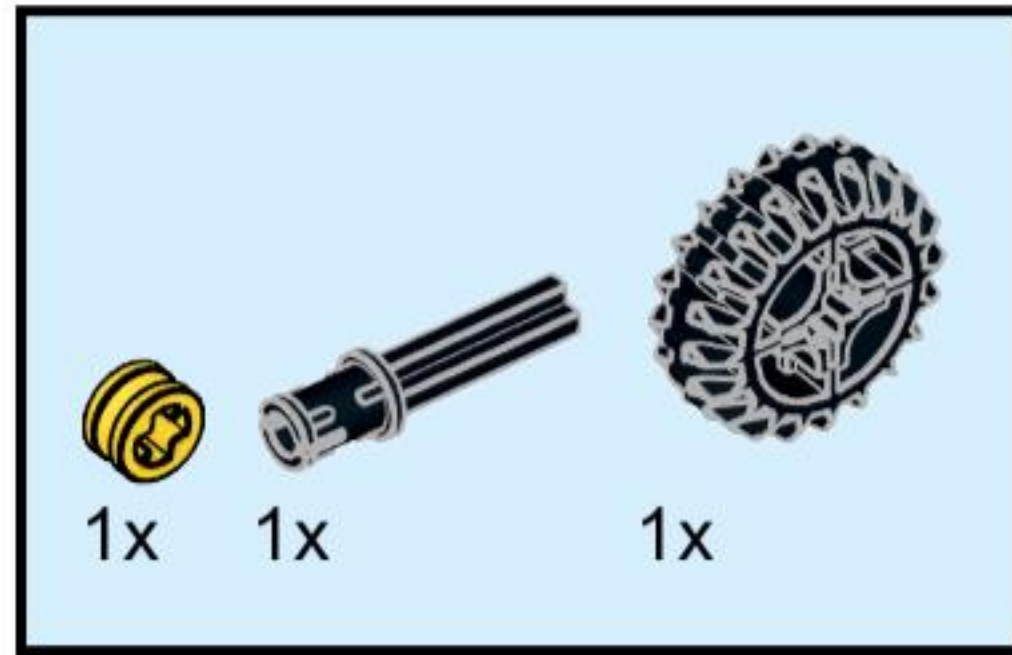
8



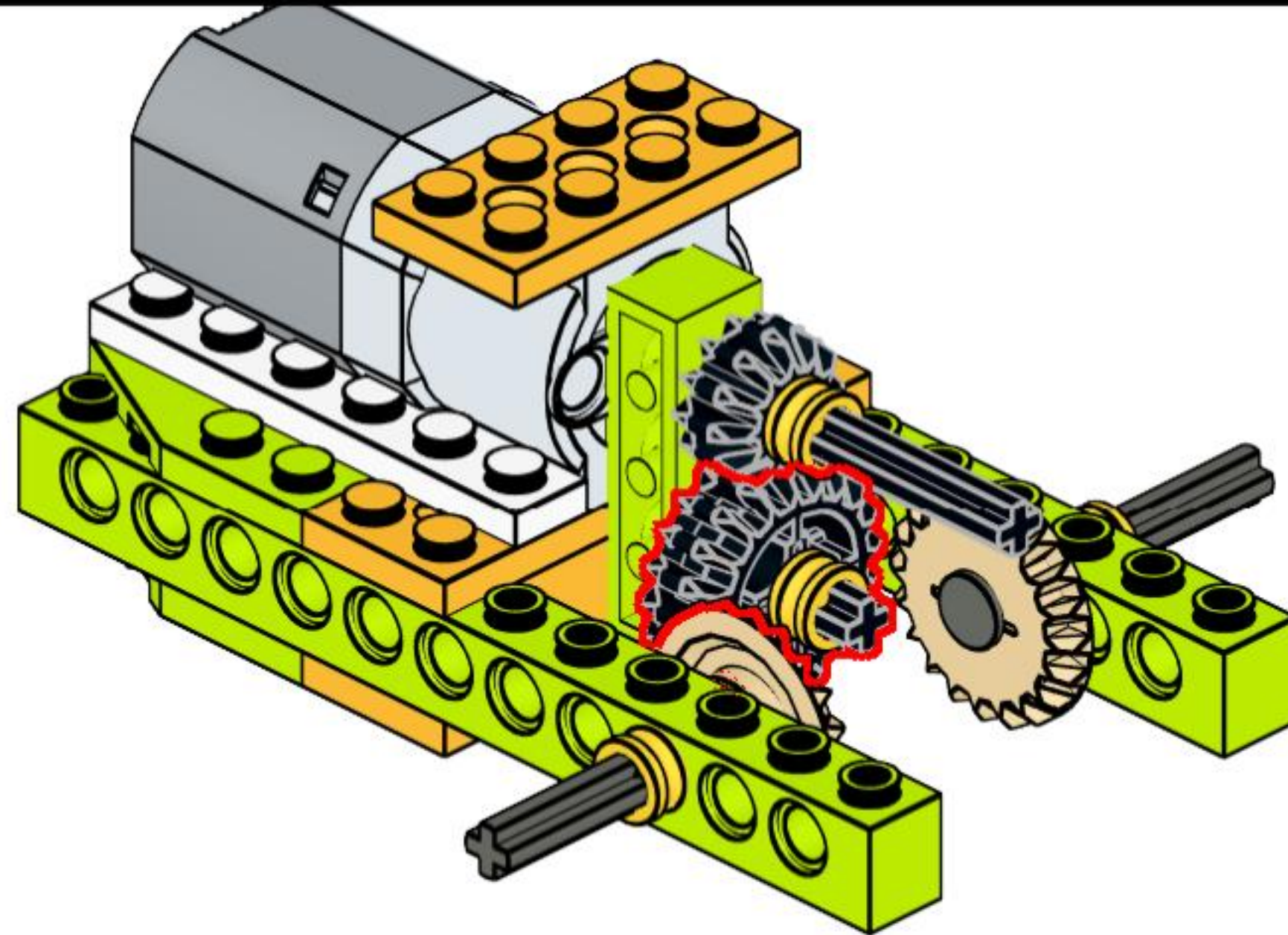
9



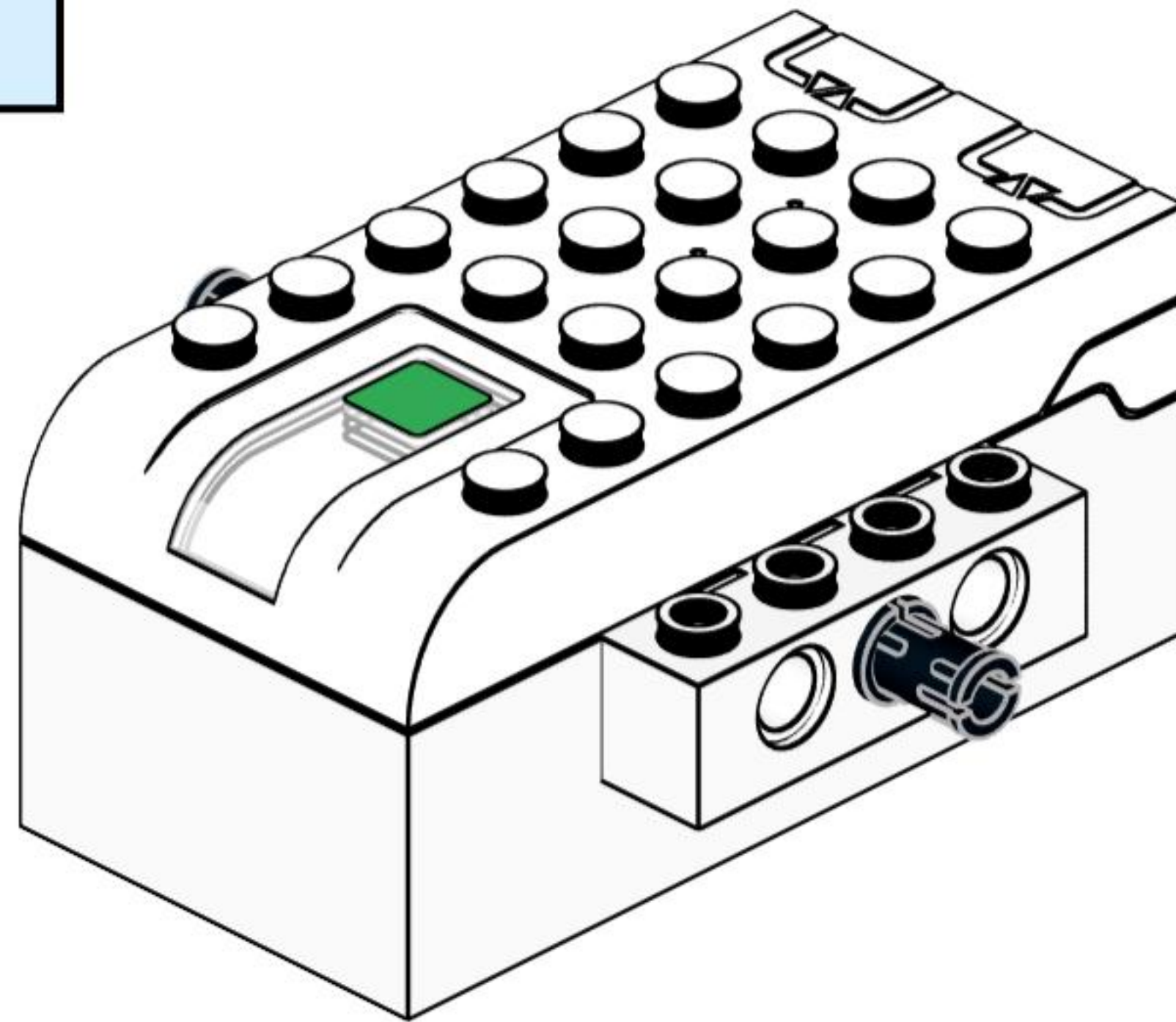
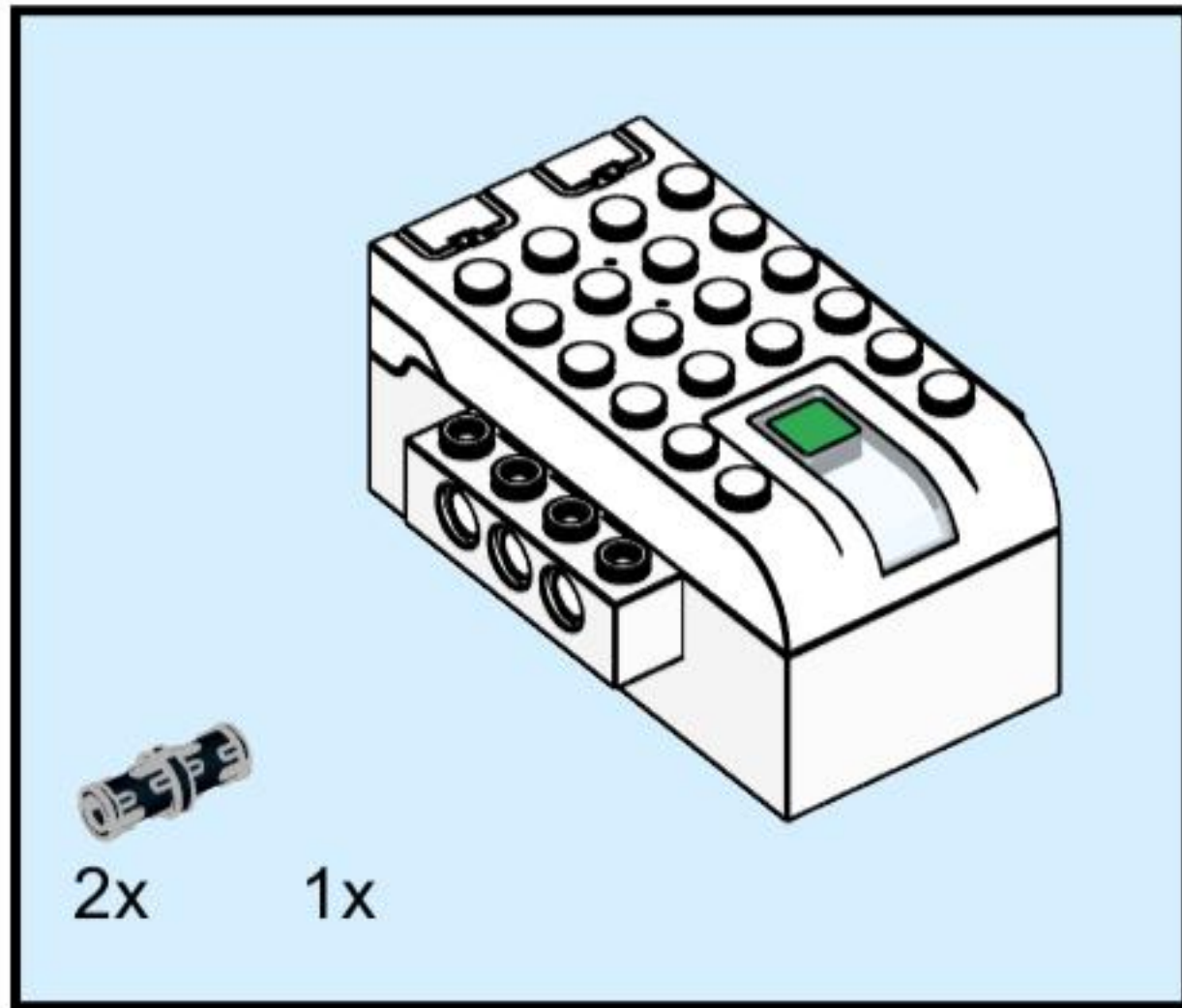
10



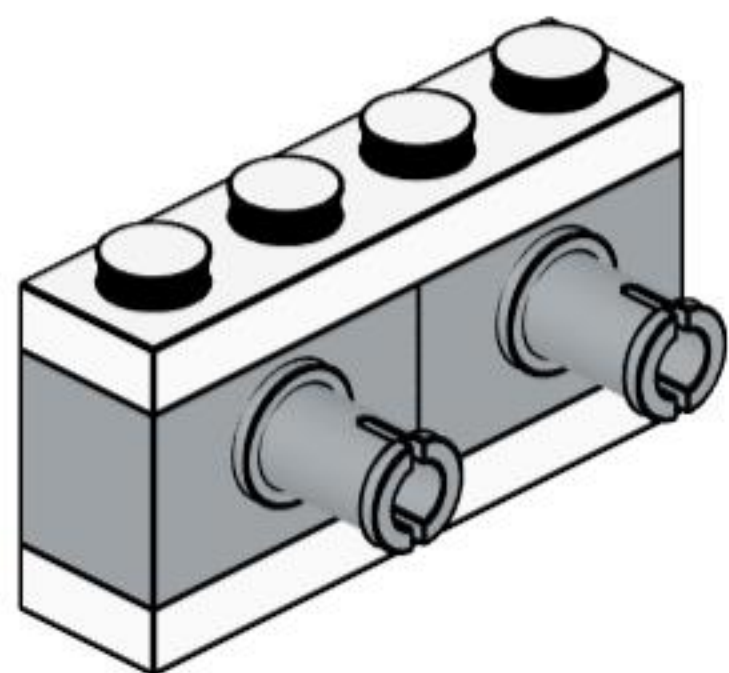
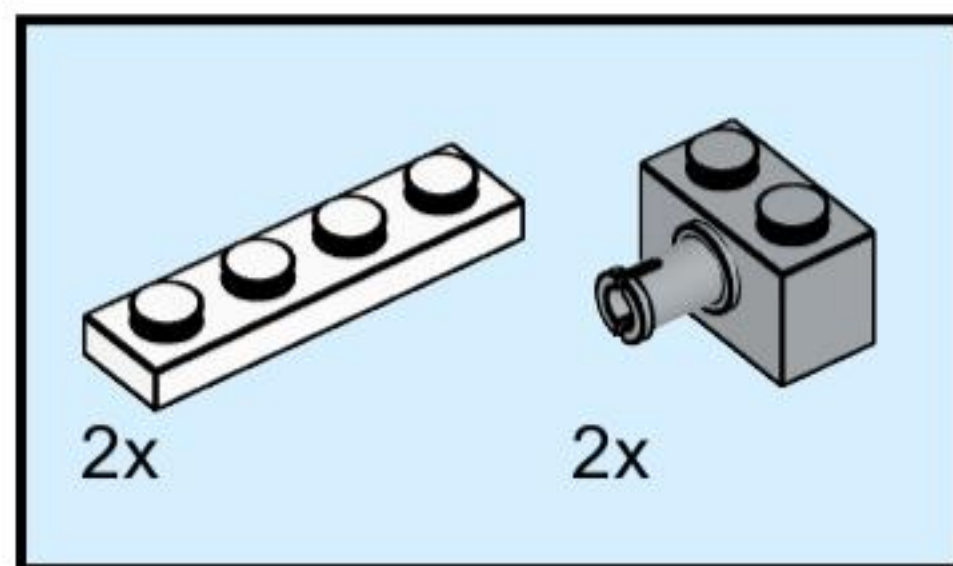
11



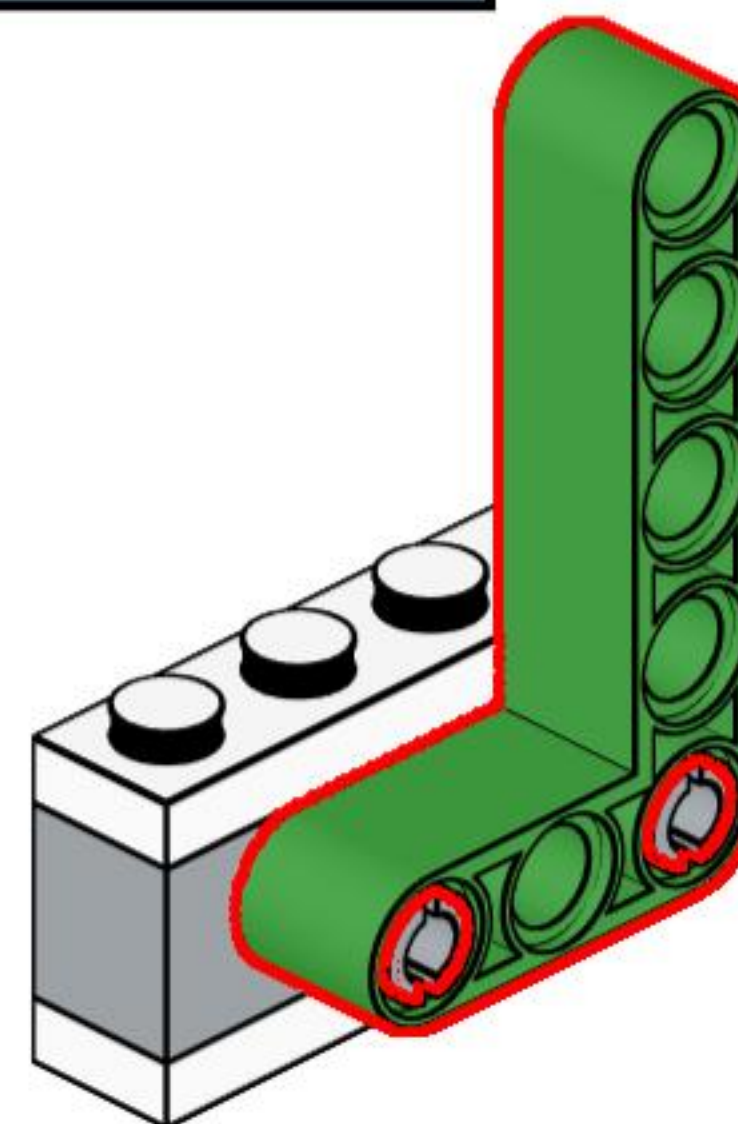
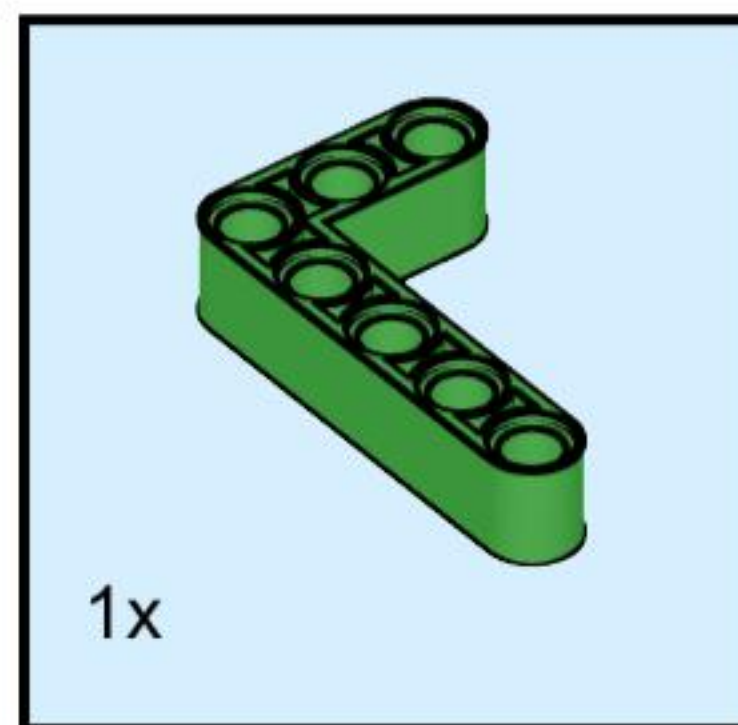
12



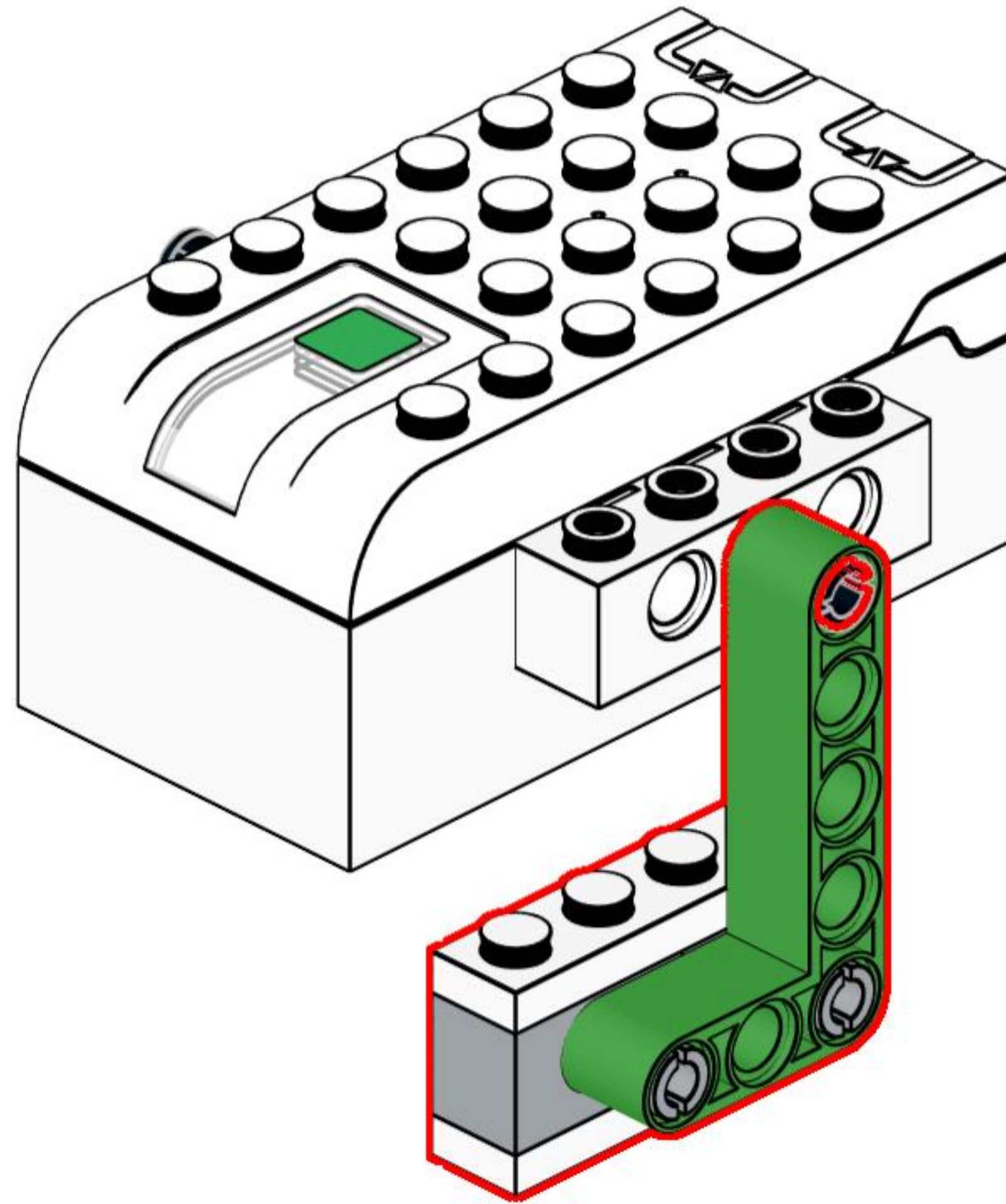
13



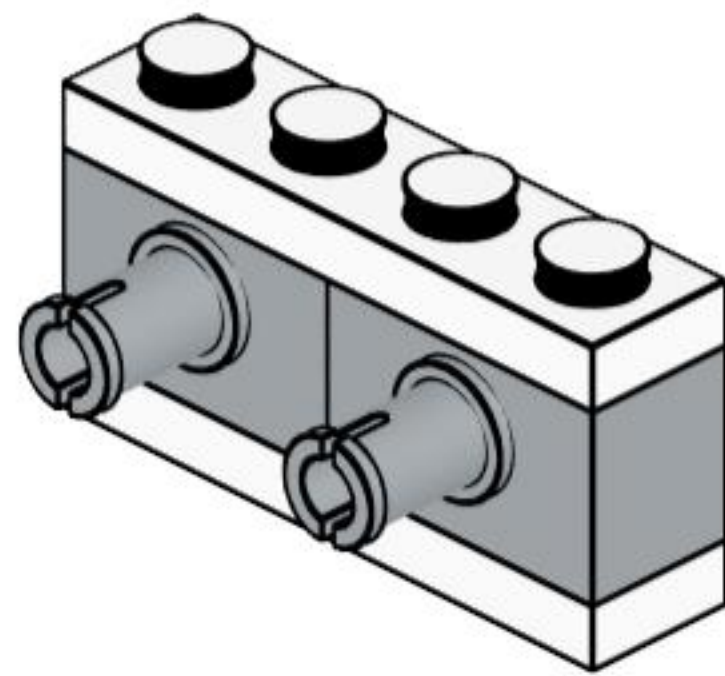
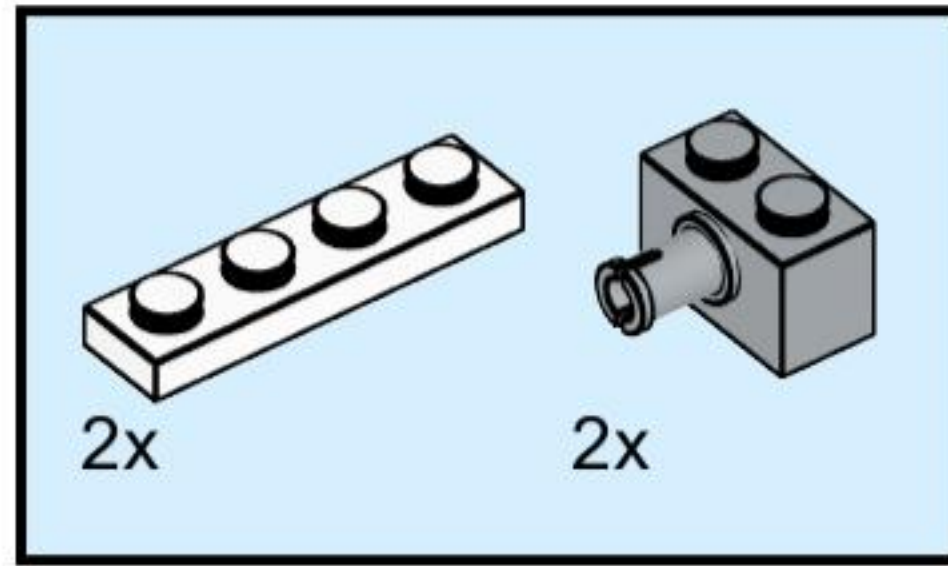
14



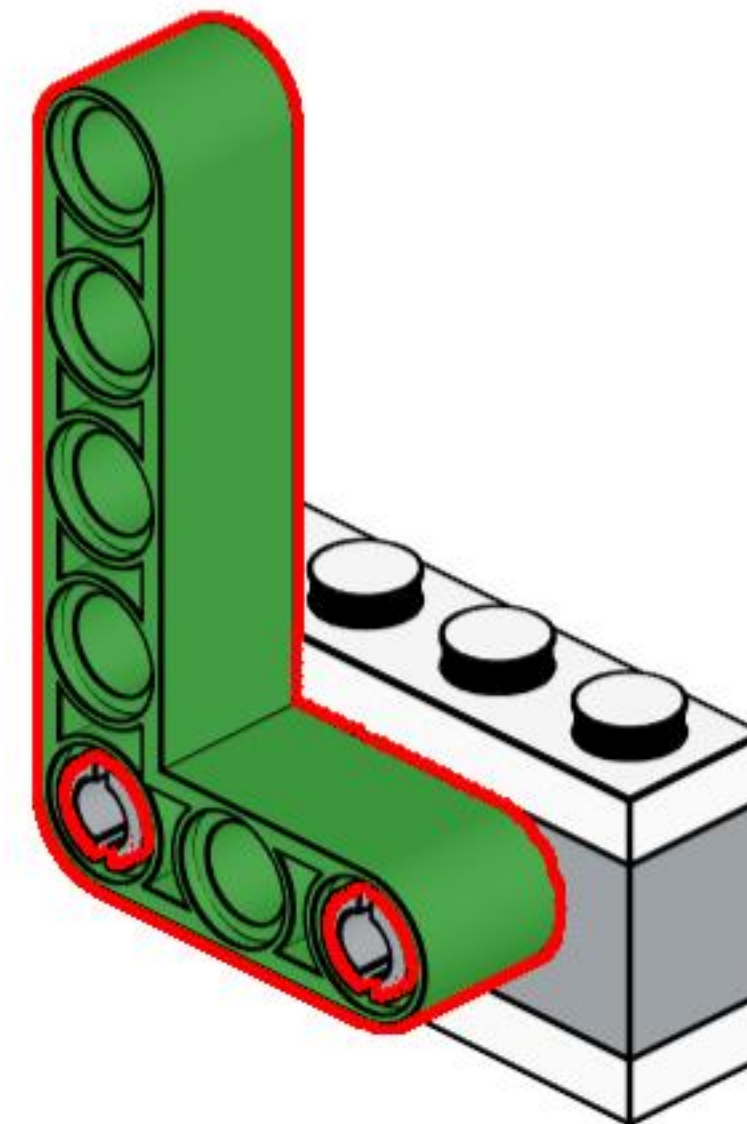
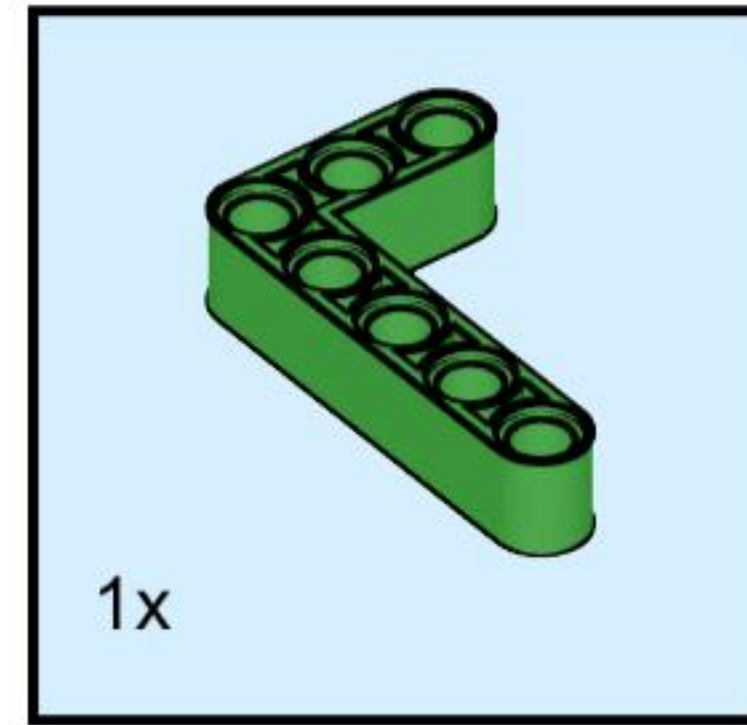
15



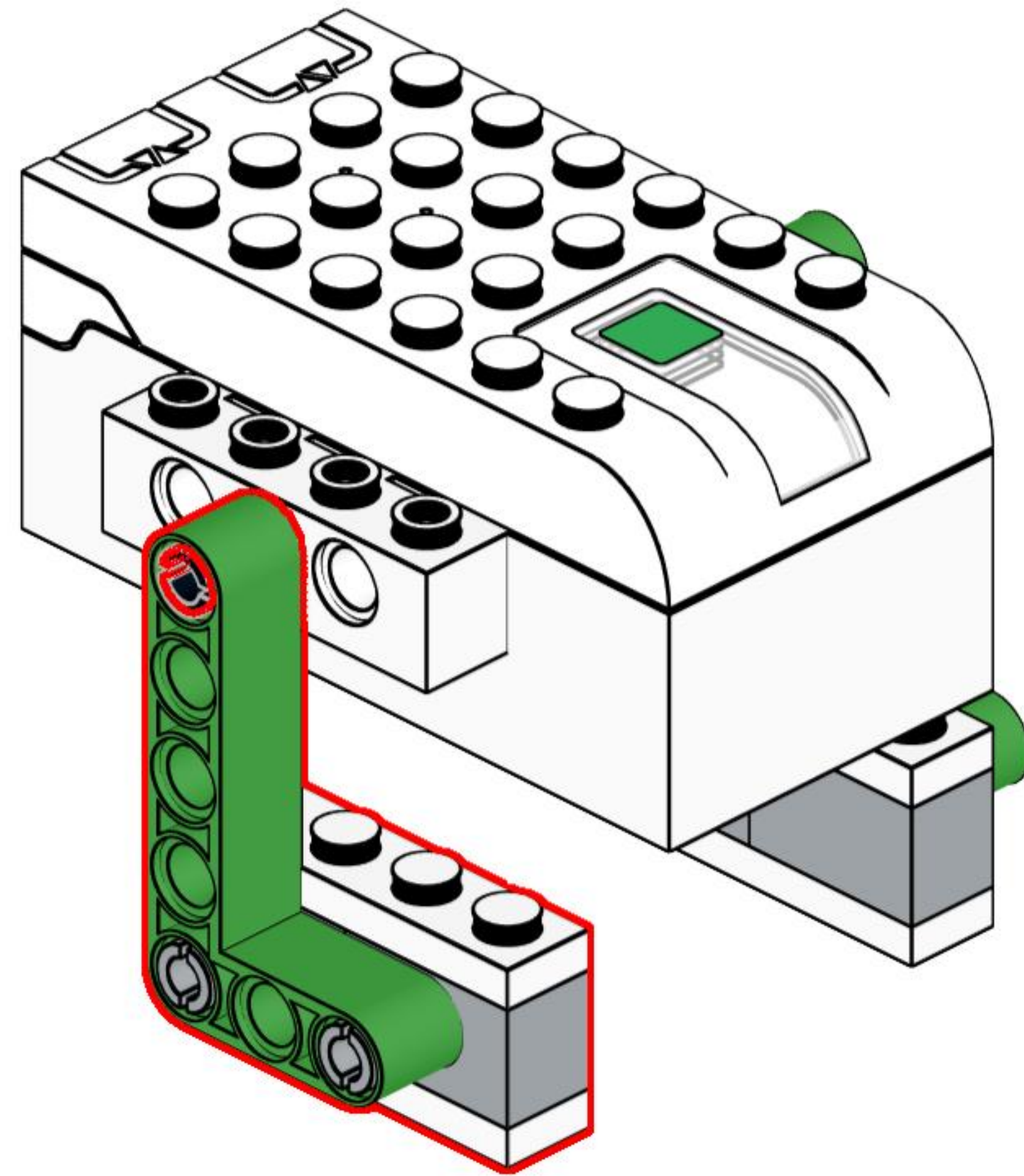
16



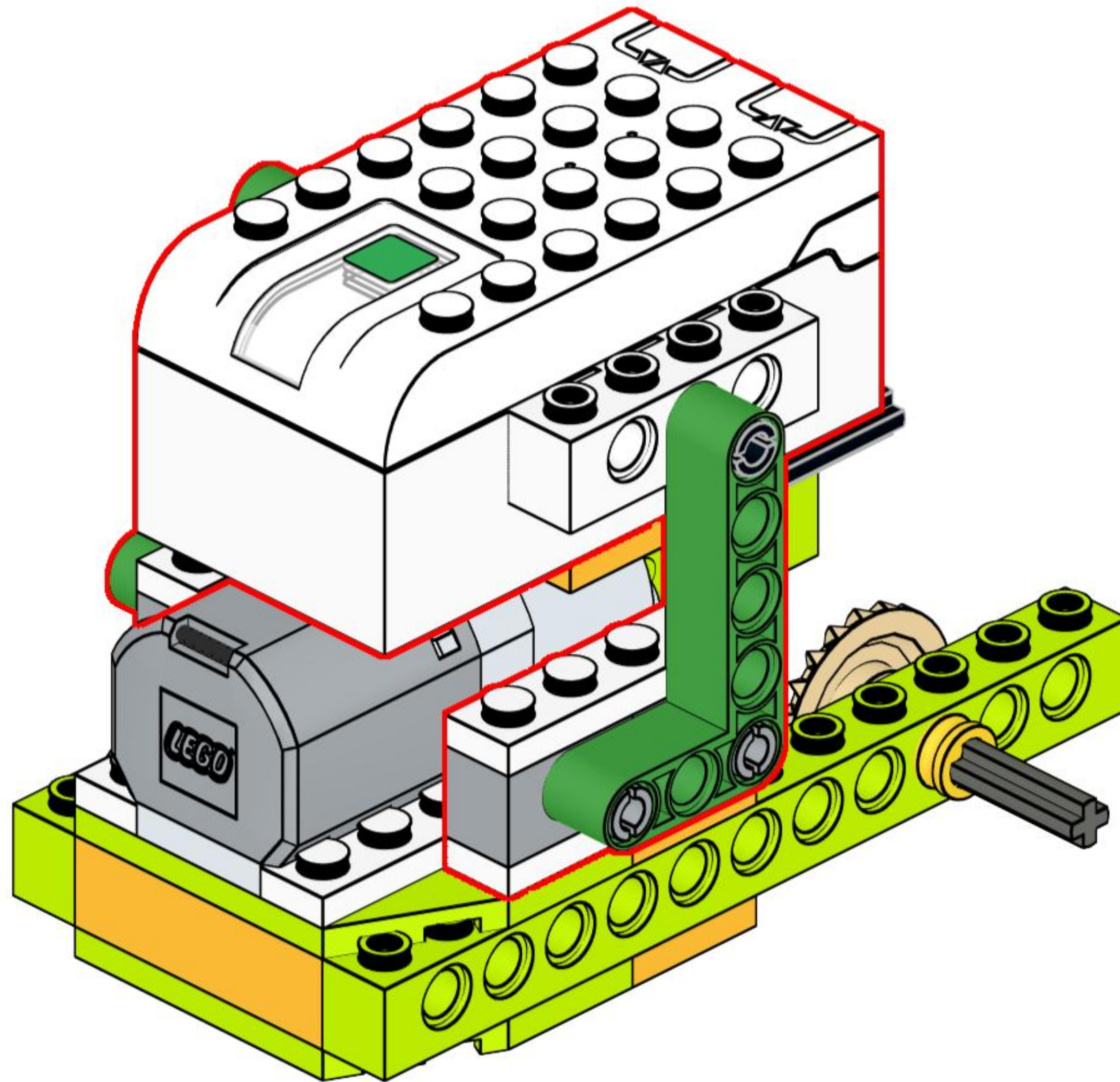
17



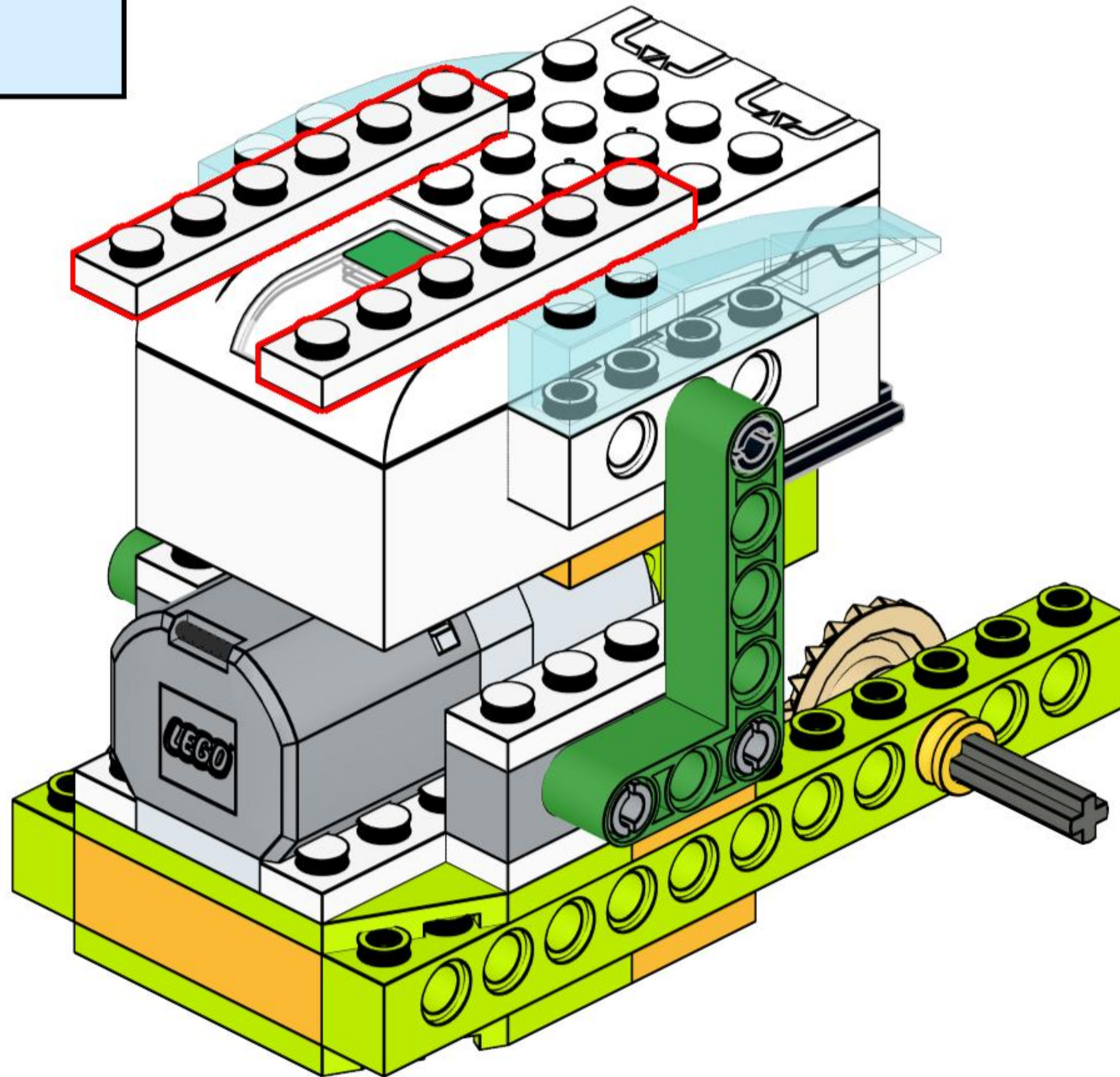
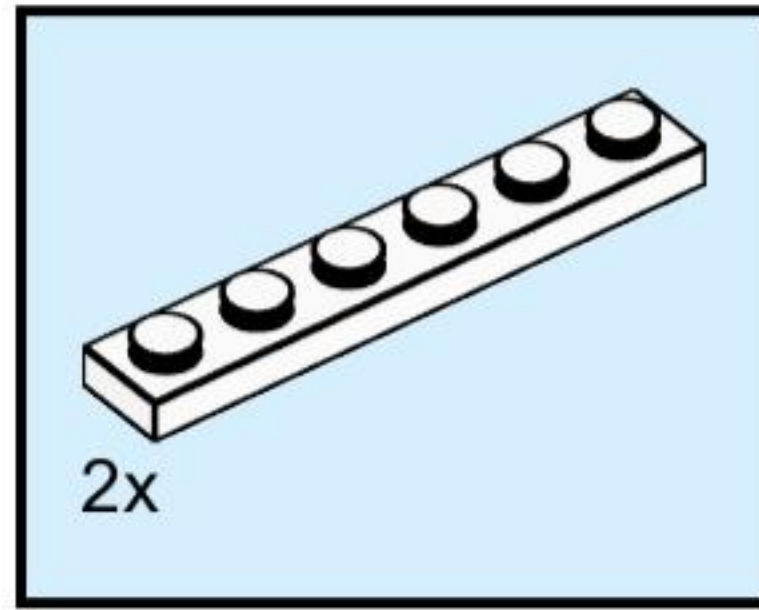
18



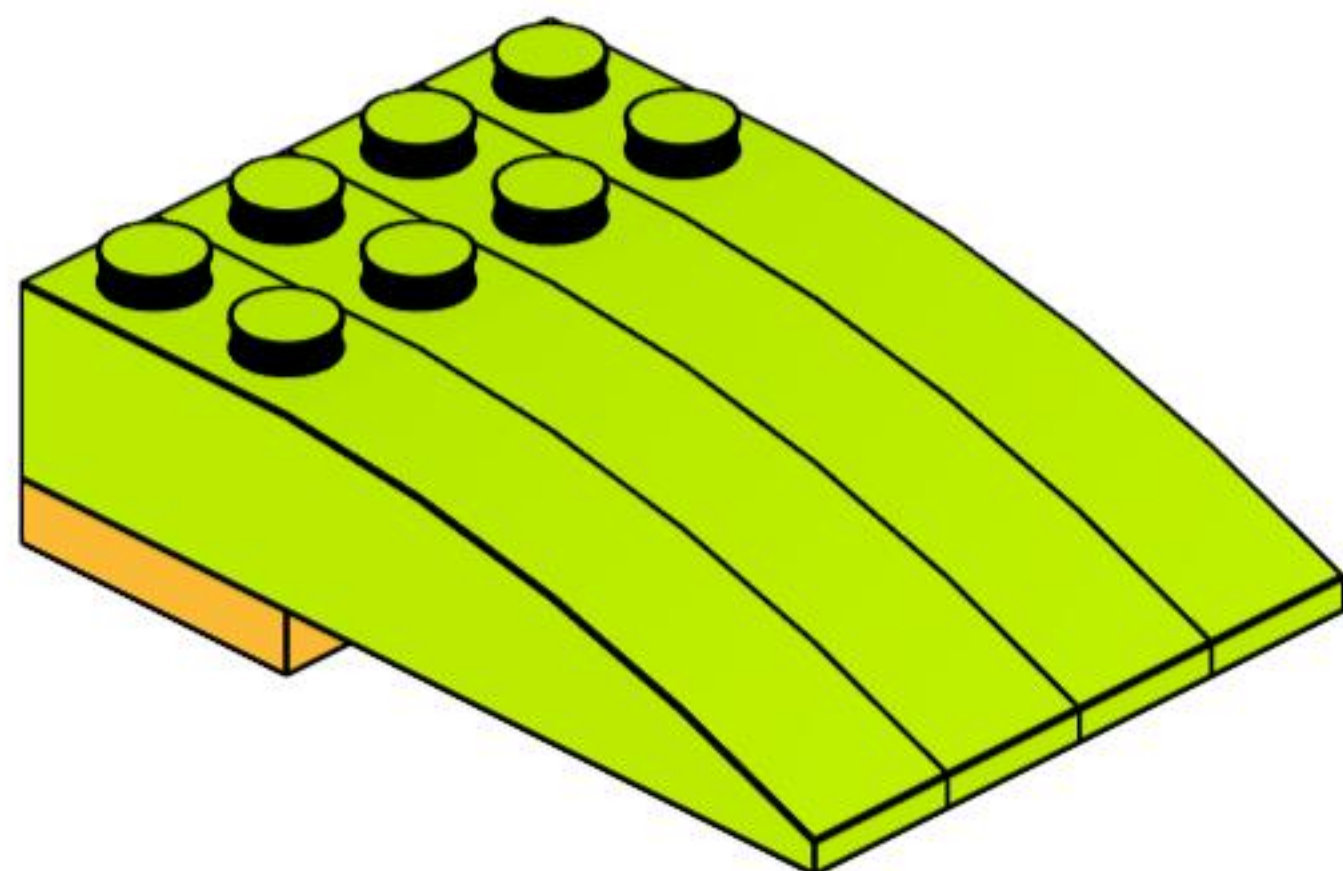
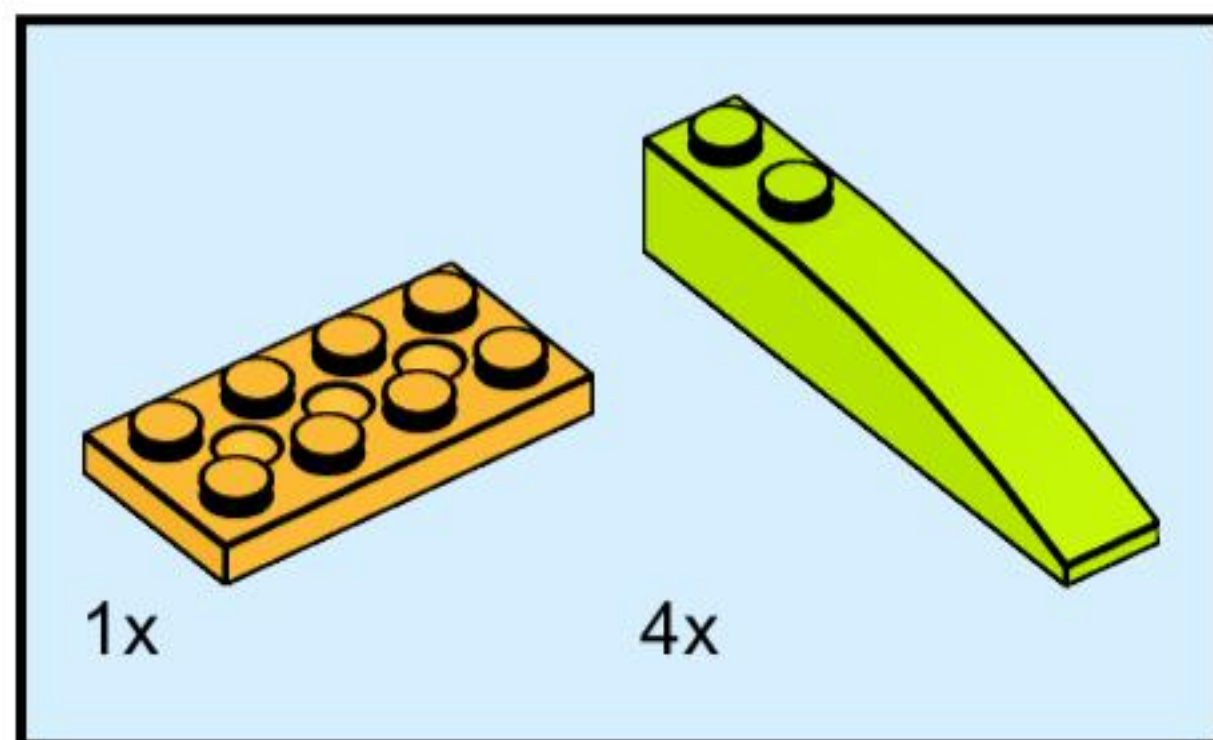
19



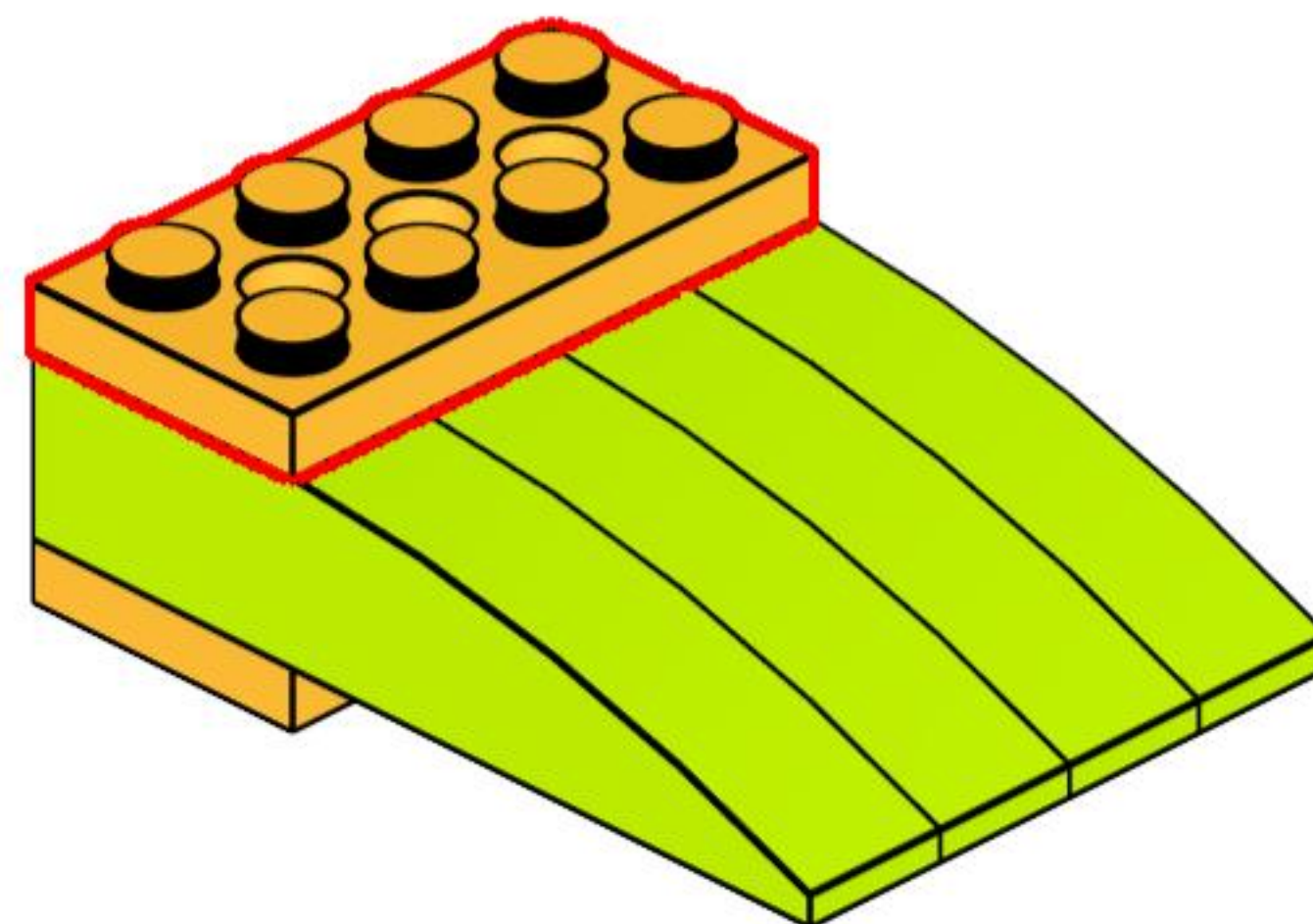
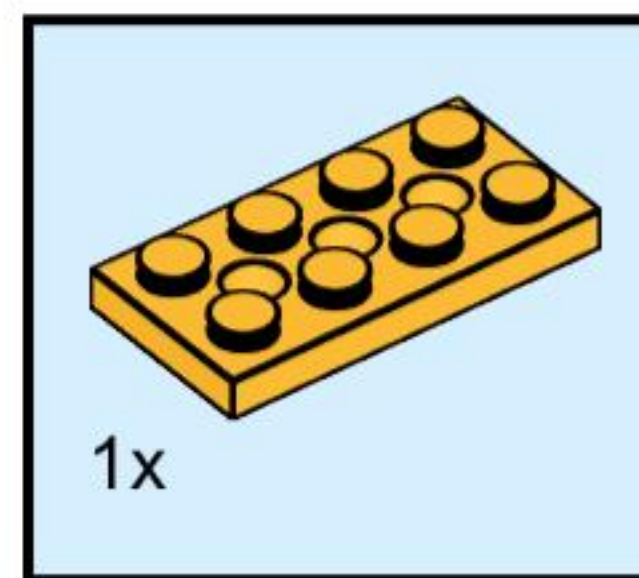
21



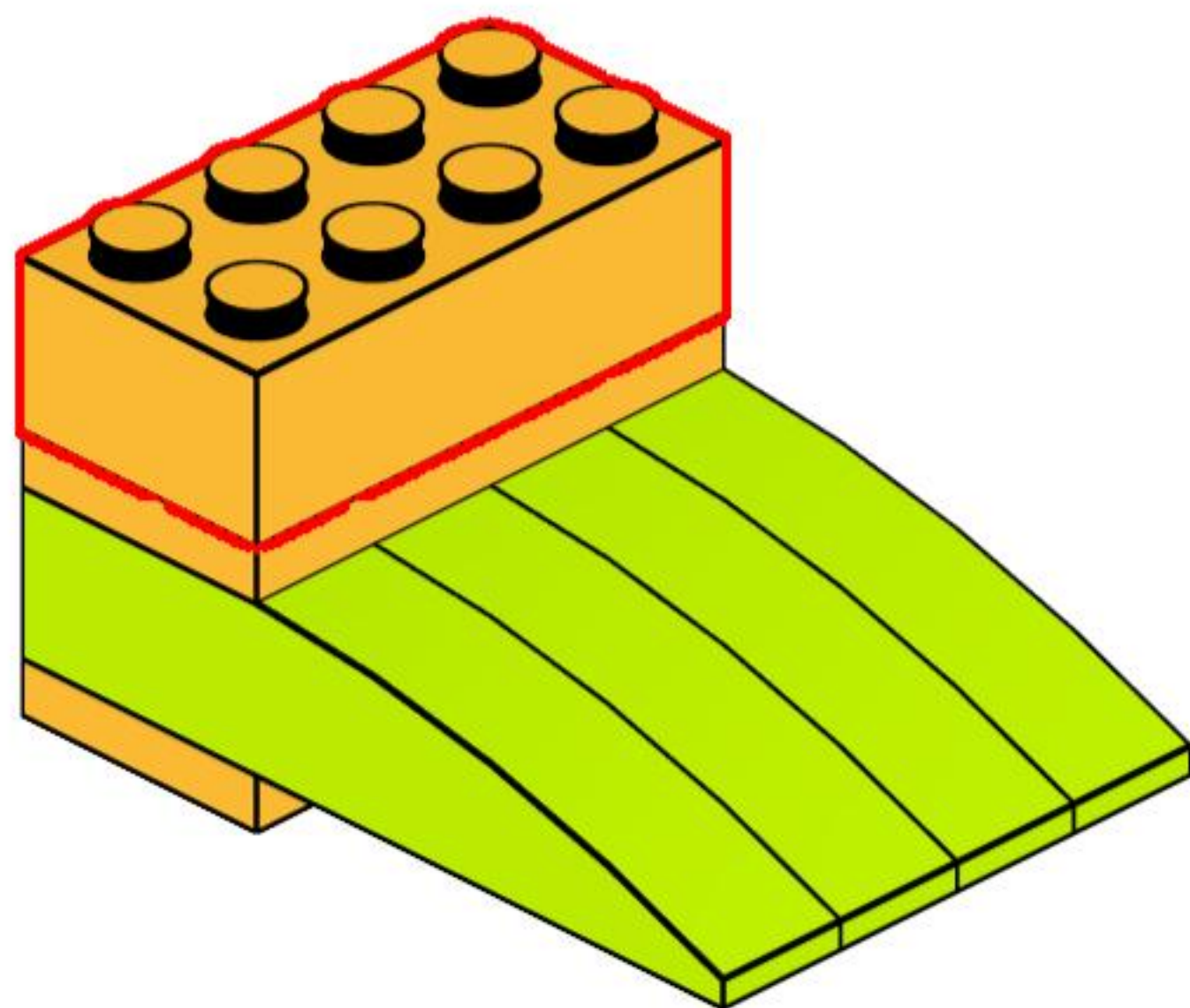
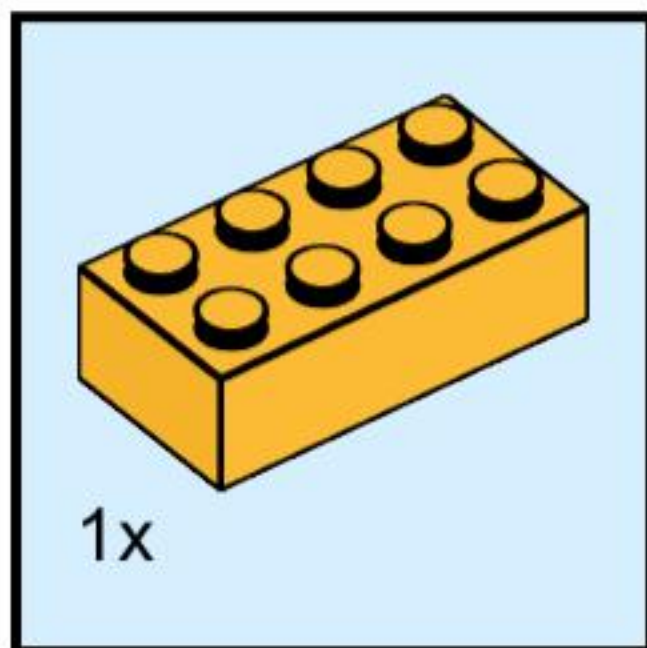
22



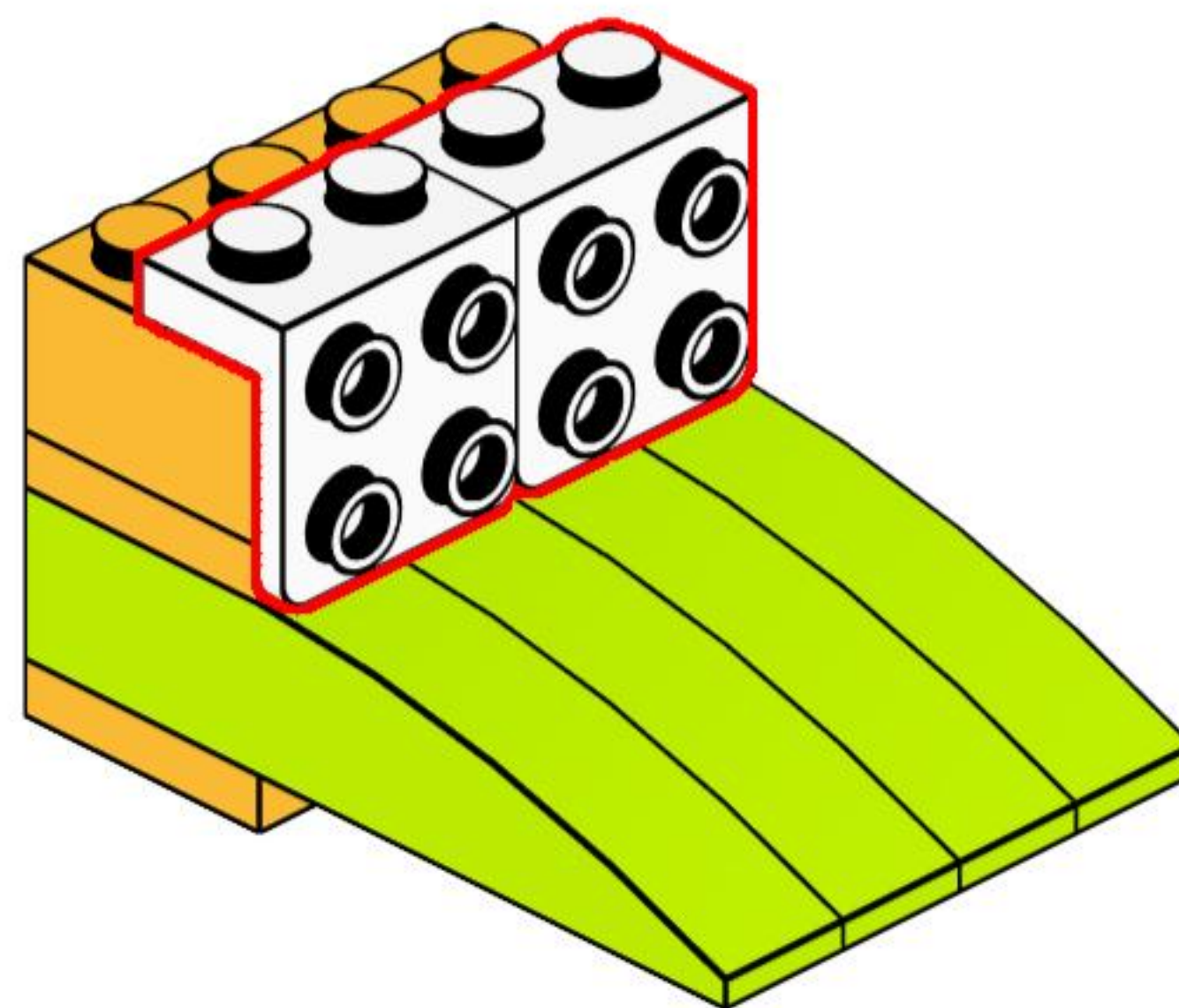
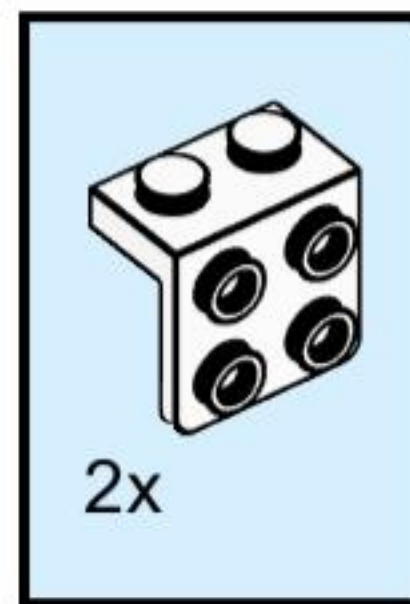
23



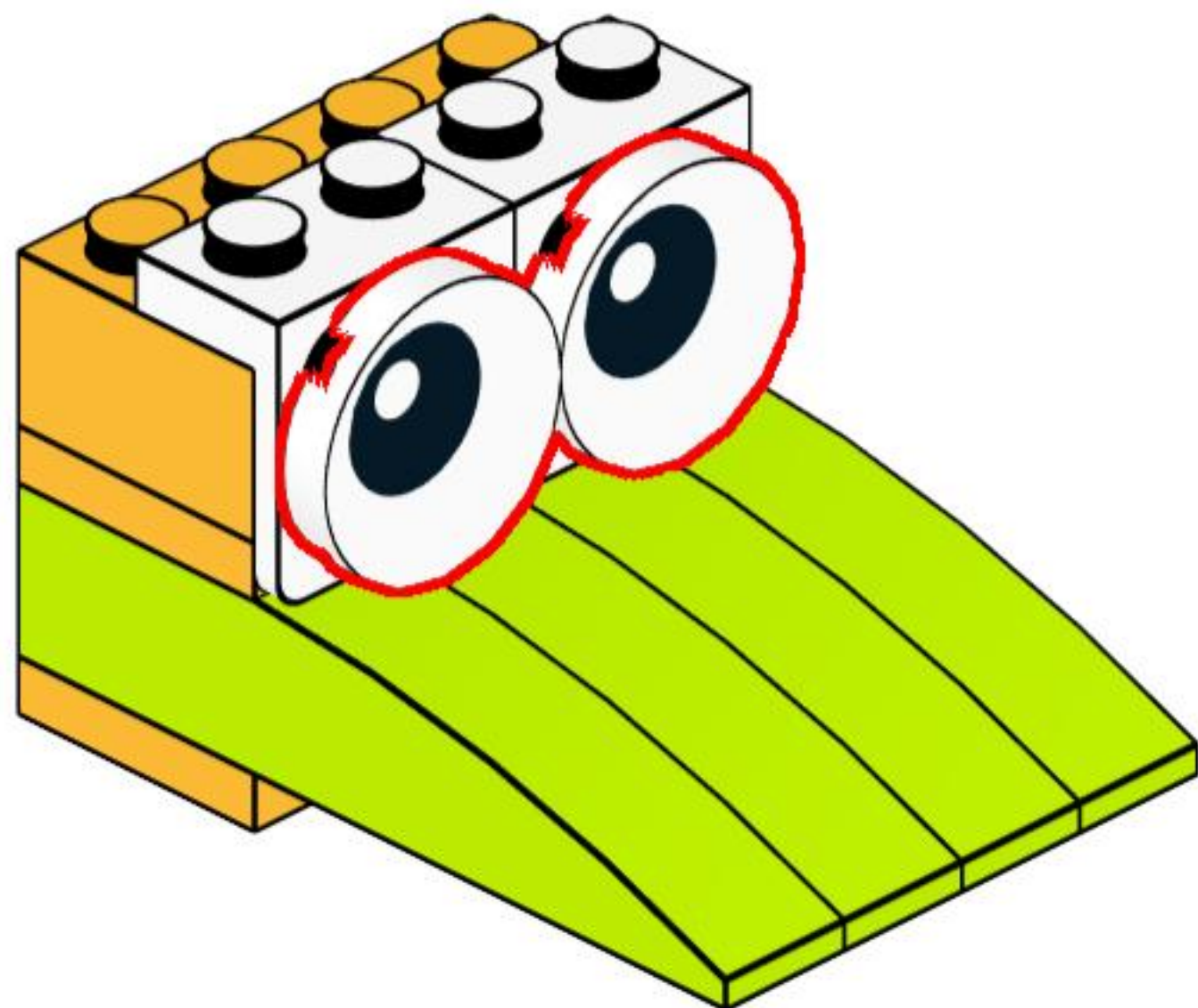
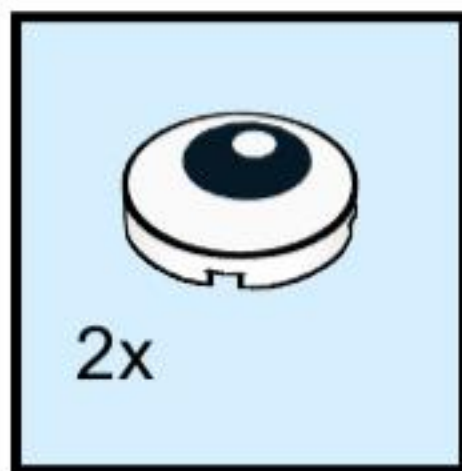
24



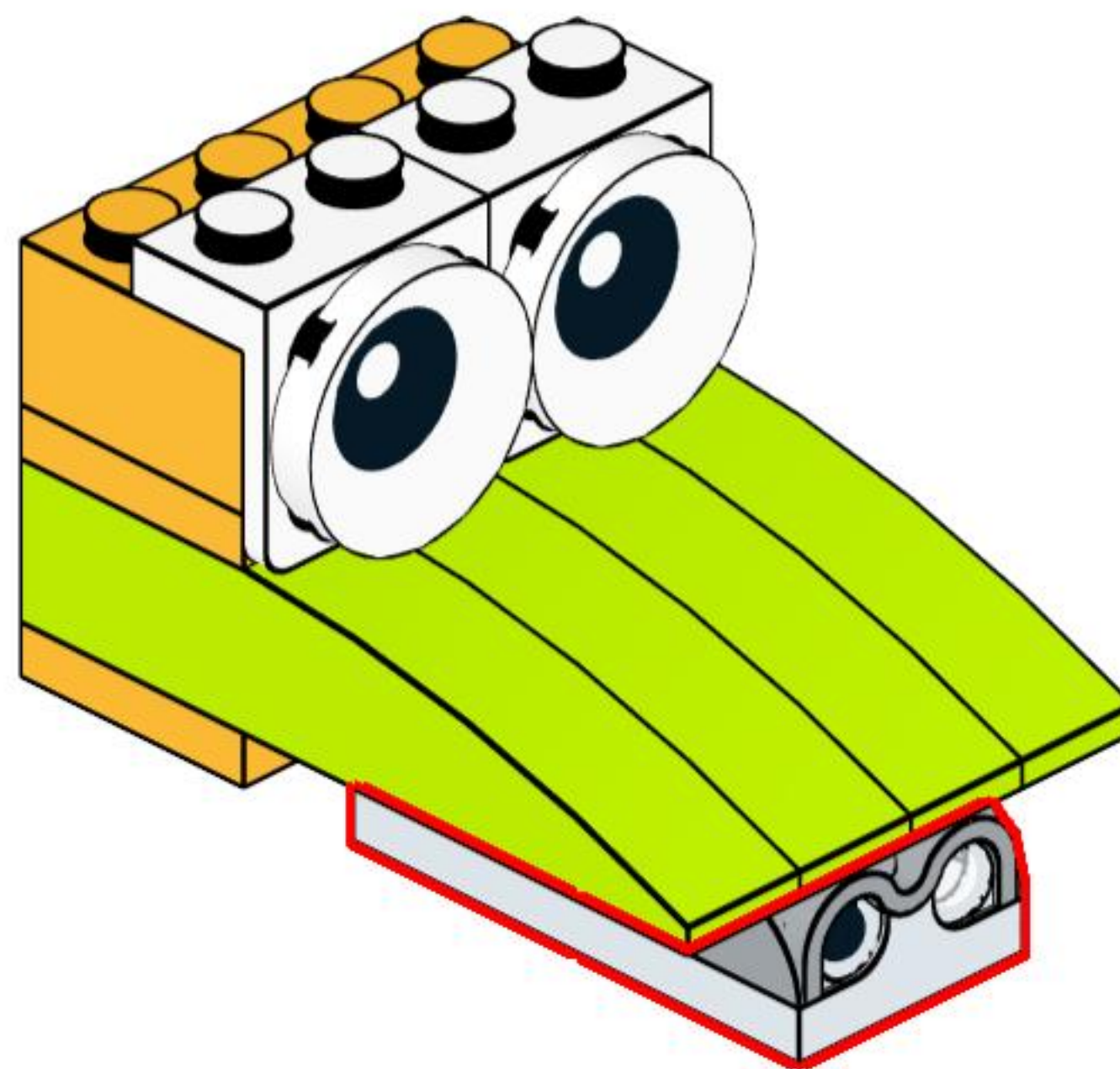
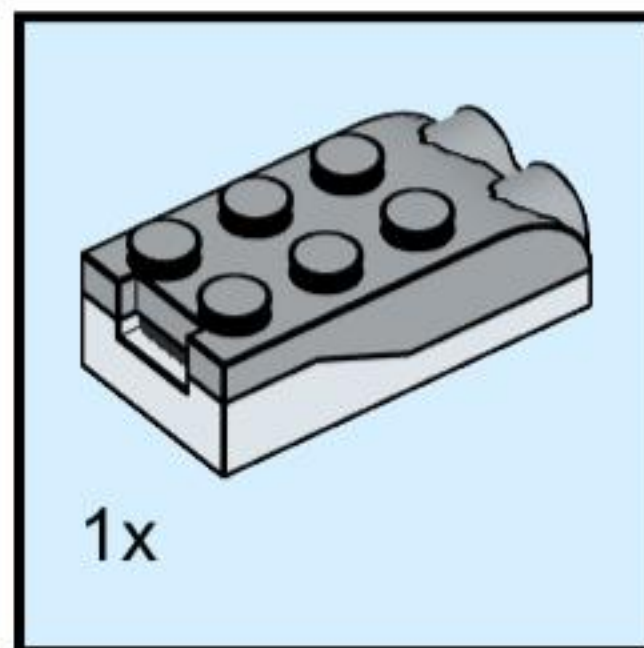
25



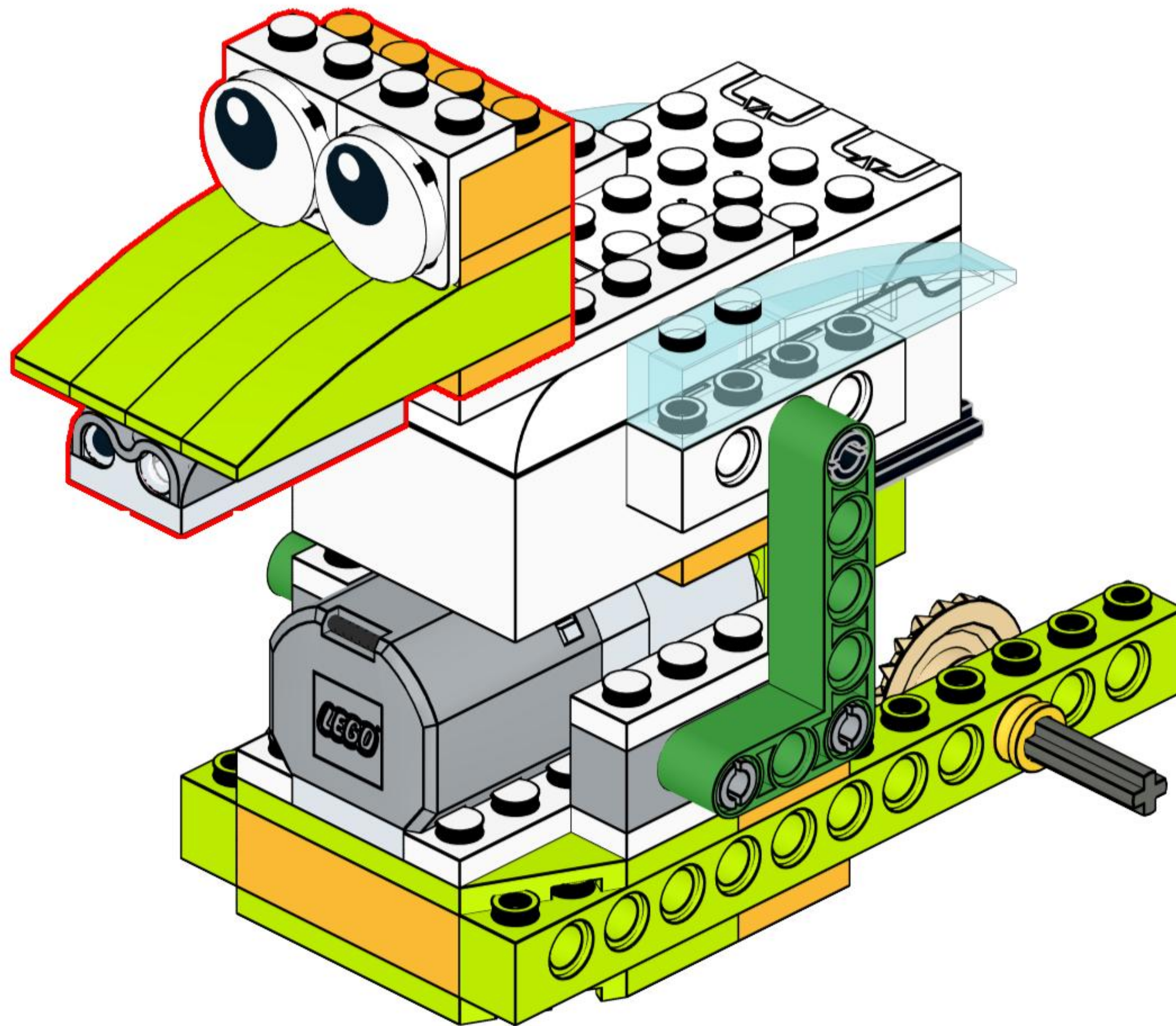
26



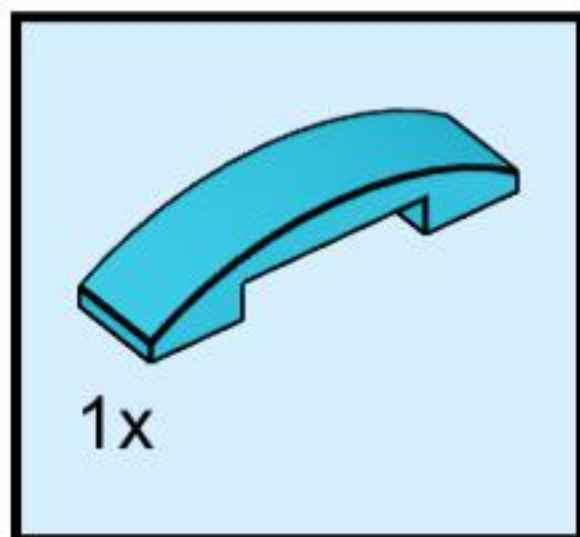
27



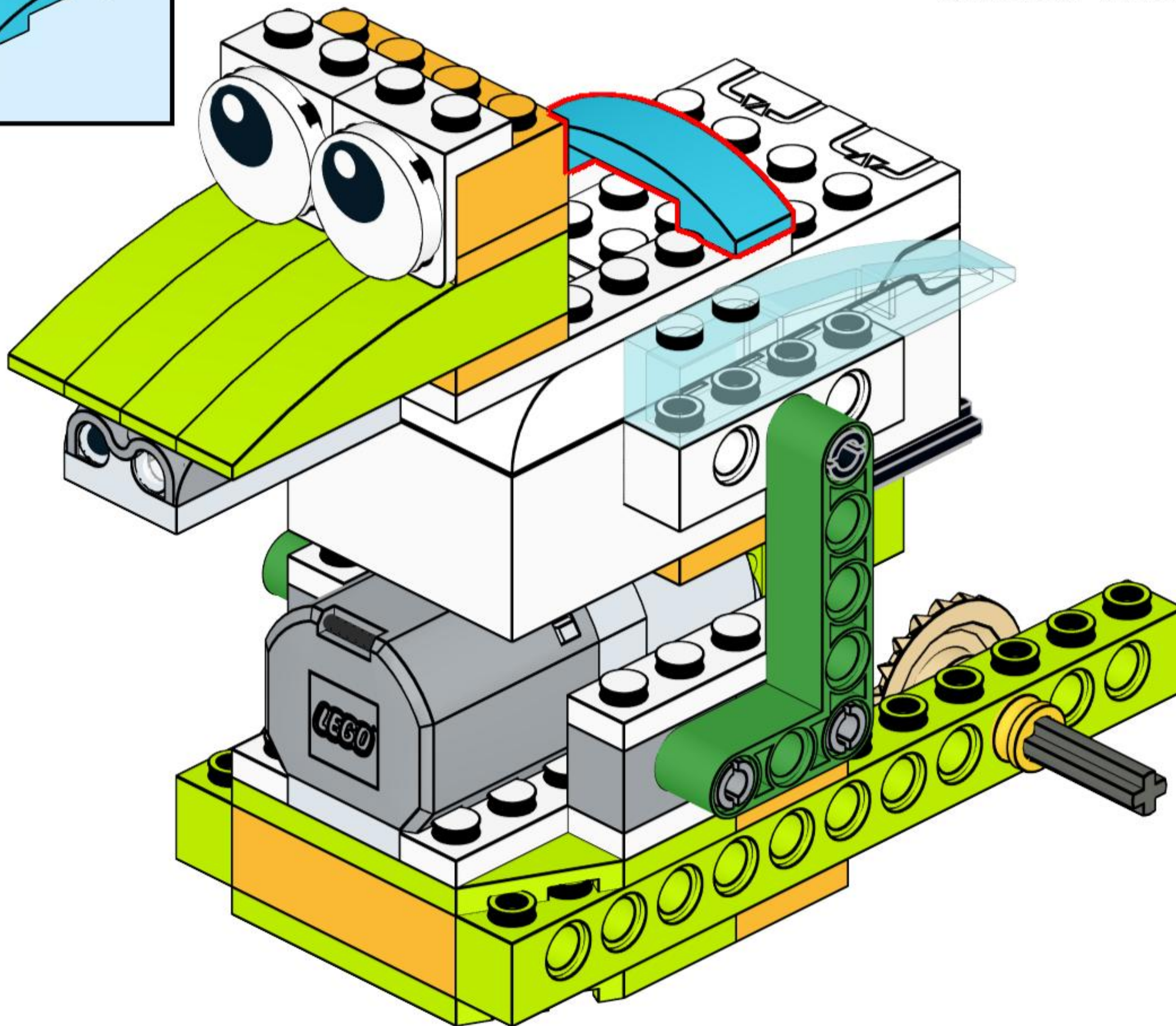
28



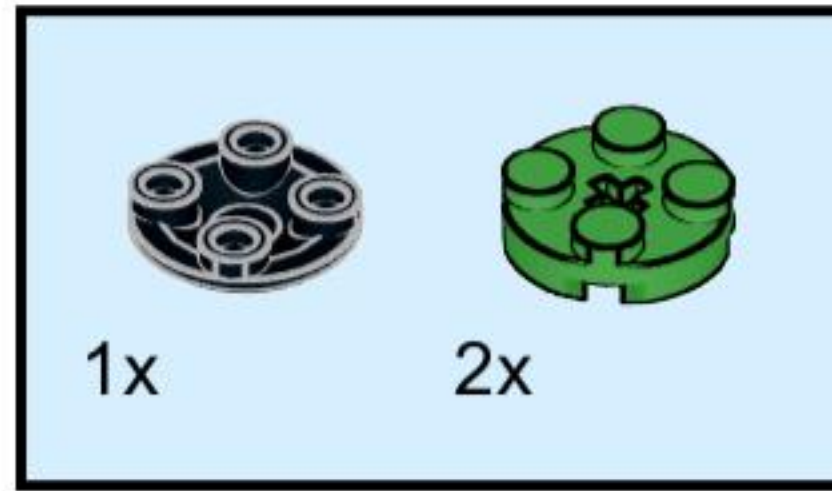
29



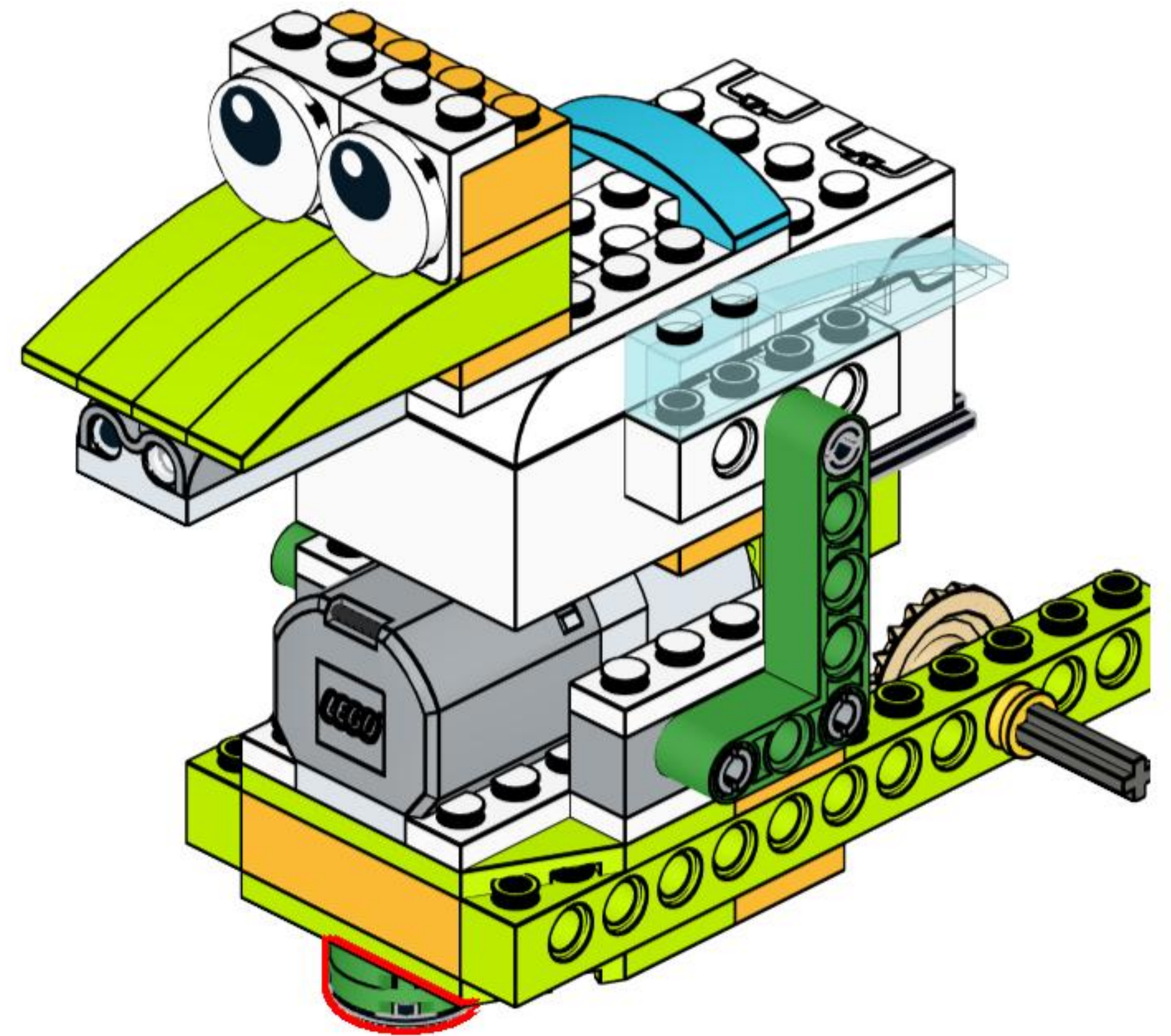
**Put the sensor cord
under the blue arch**



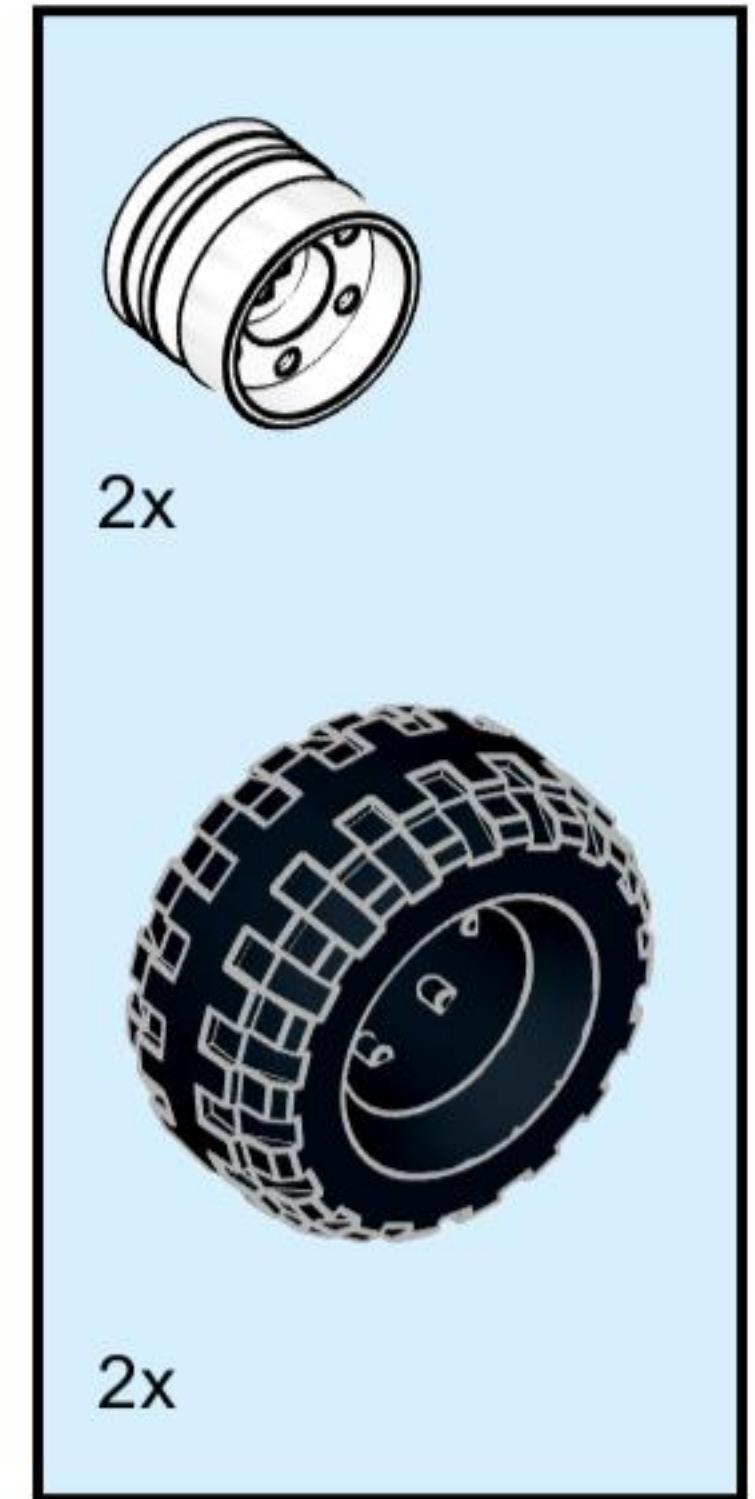
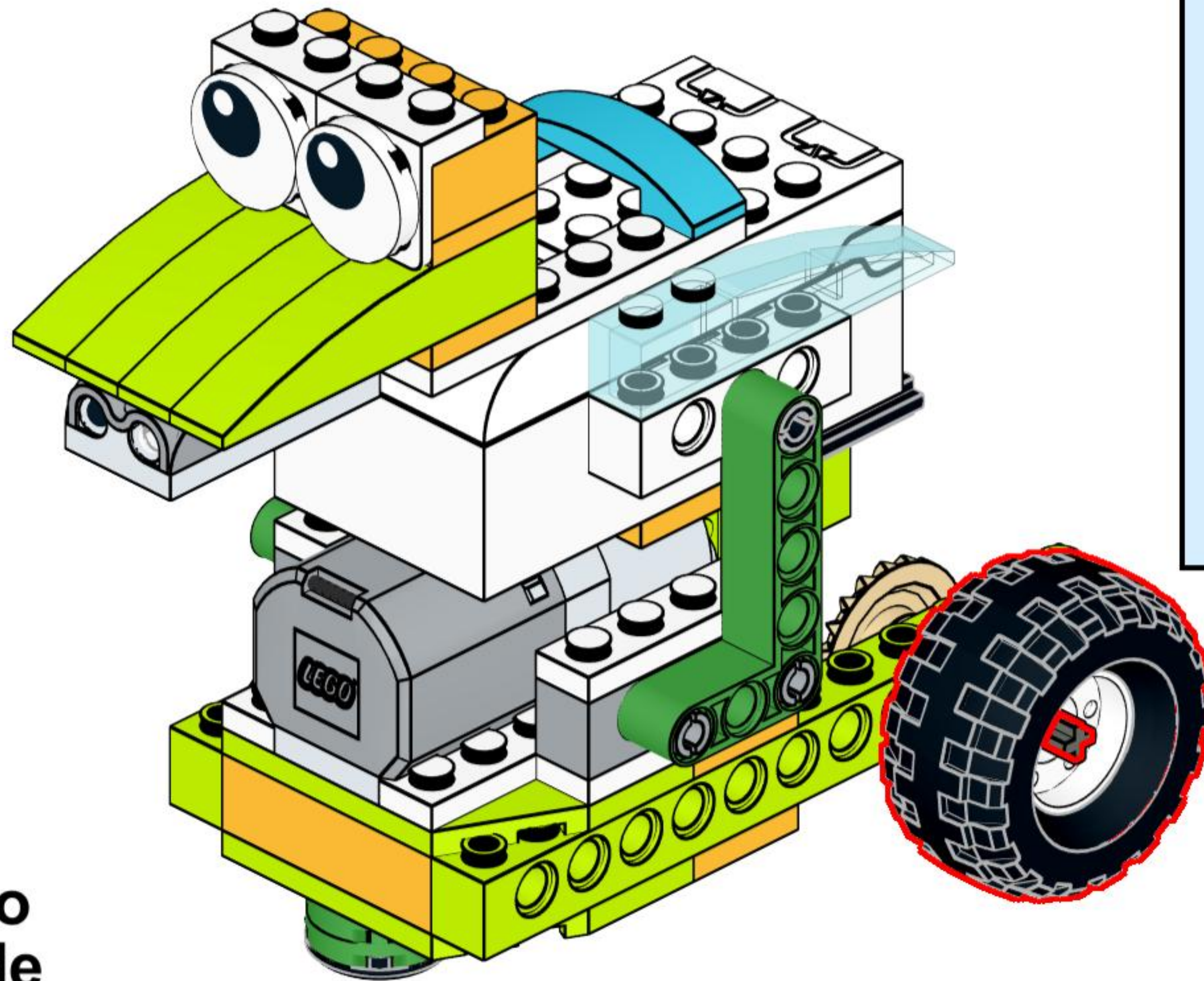
30



31

















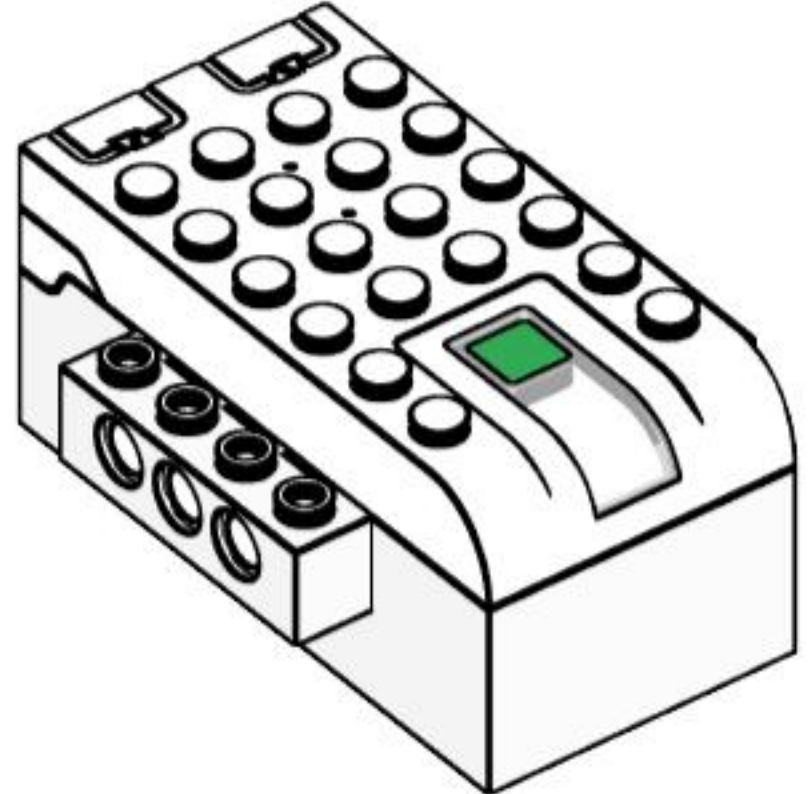



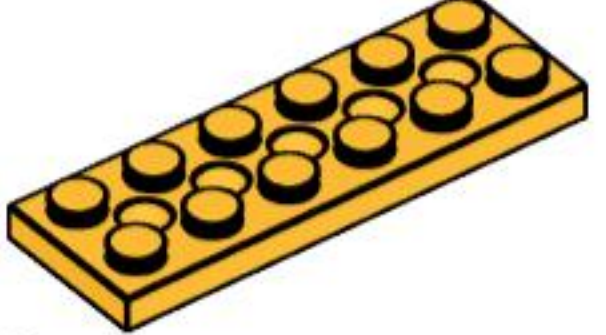

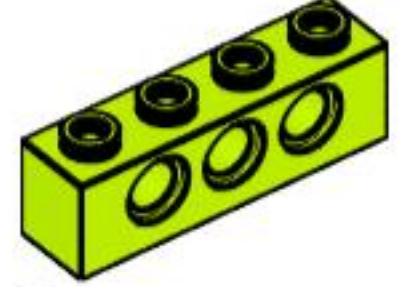
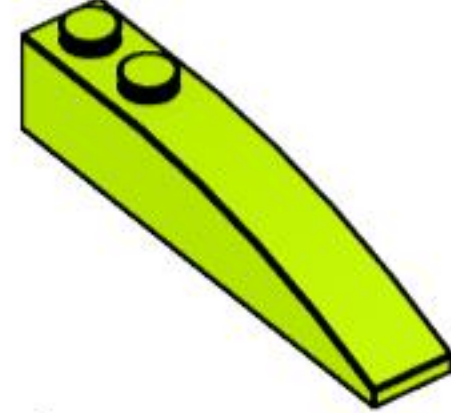
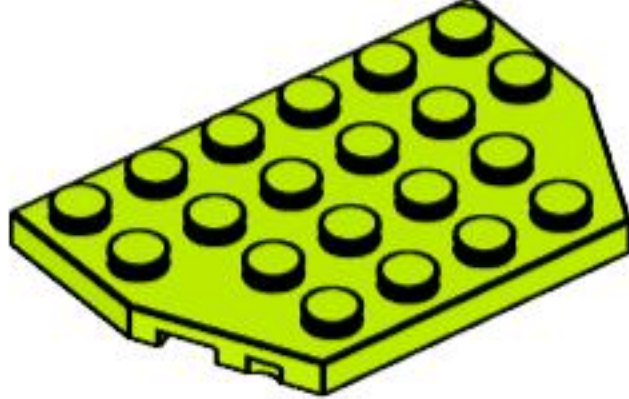
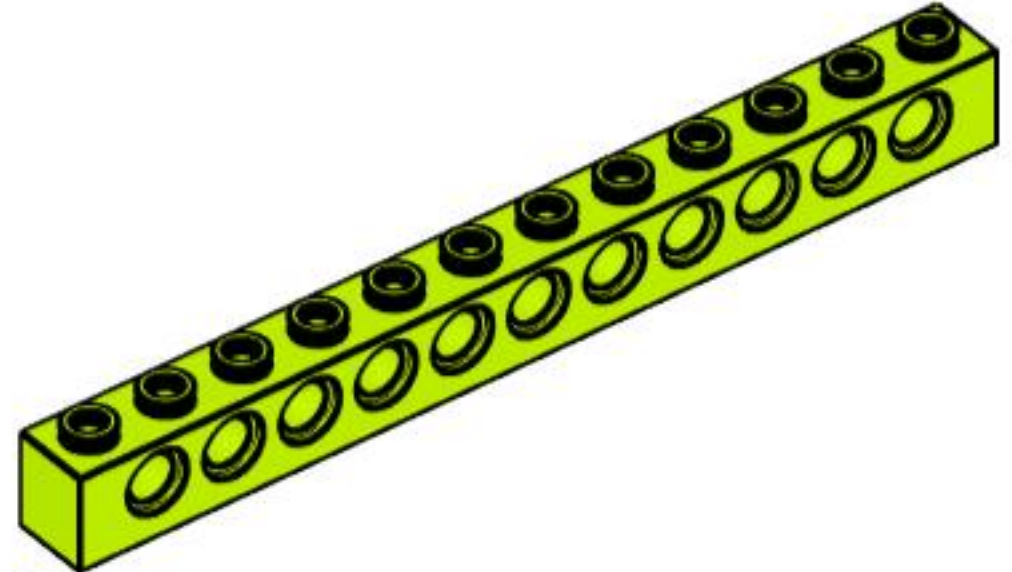

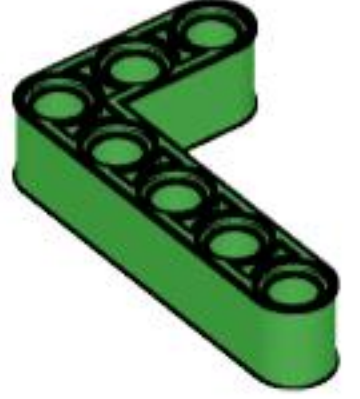
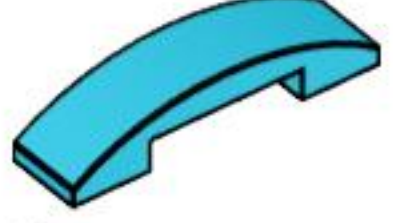
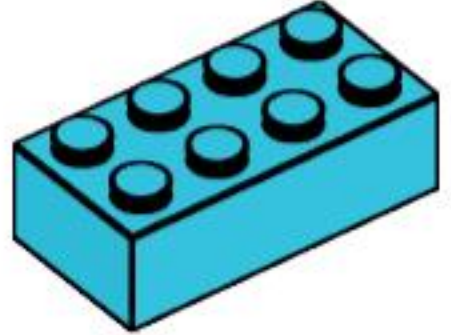
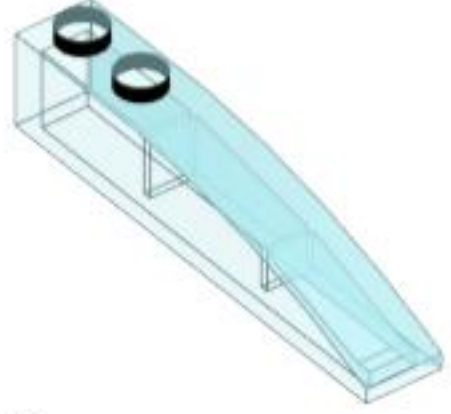


32



Open the WeDo app to add code to your duck!

Parts List: Dodger Duck

- 2x 
- 1x 
- 1x 
- 1x 
- 1x 
- 1x 
- 1x 
- 2x 
- 2x 
- 4x 
- 1x 
- 2x 
- 2x 
- 2x 
- 4x 
- 4x 
- 1x 
- 1x 
- 3x 
- 3x 
- 2x 
- 4x 
- 1x 
- 4x 
- 2x 
- 2x 
- 2x 
- 2x 
- 1x 
- 1x 
- 1x 
- 2x