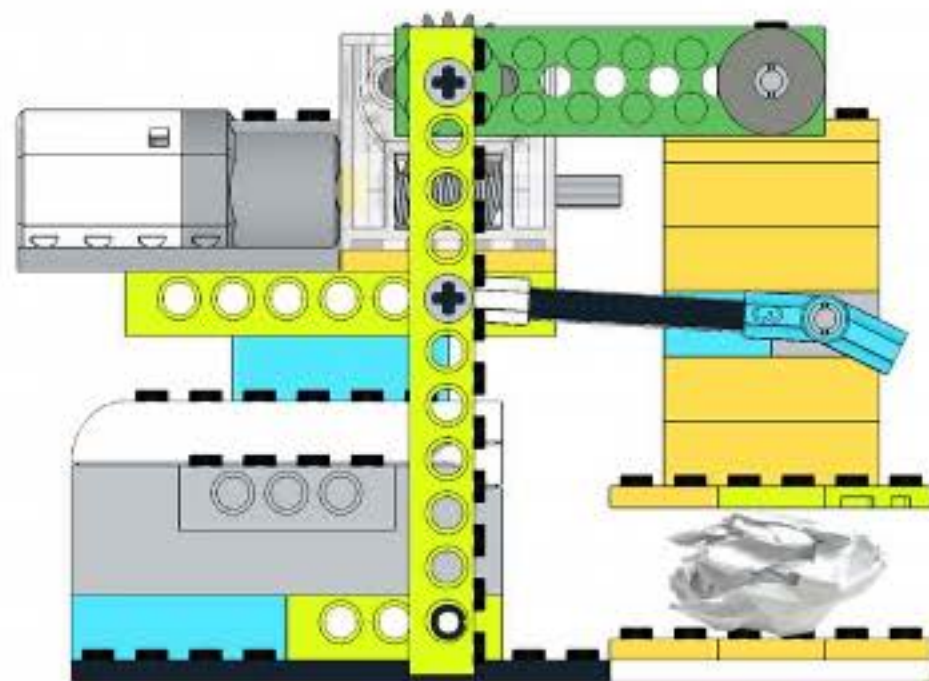


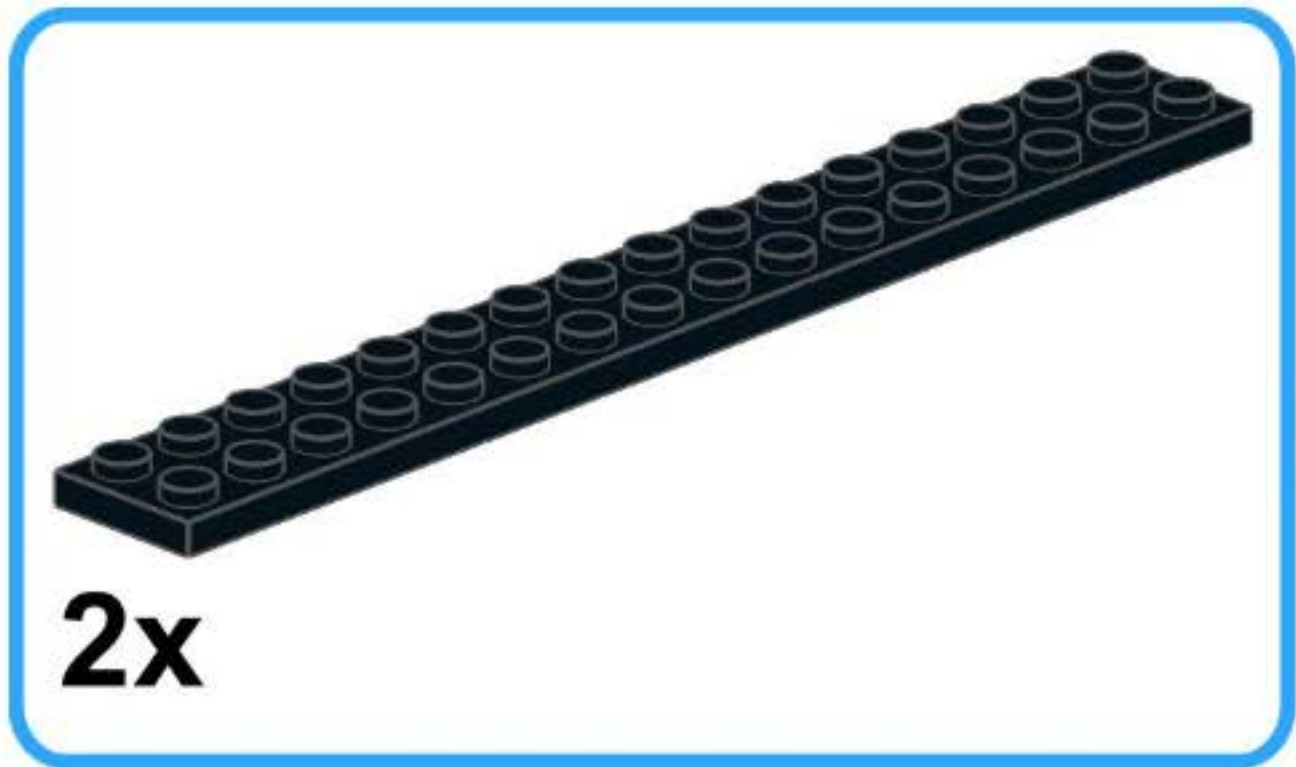
pressing machine robot
unofficial building instruction



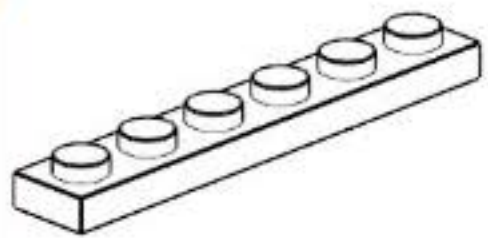
Pressing Machine

for Lego® WeDo 2.0
45300

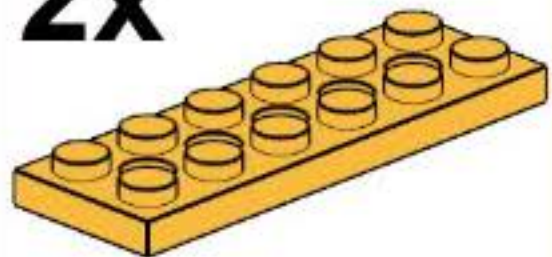
1



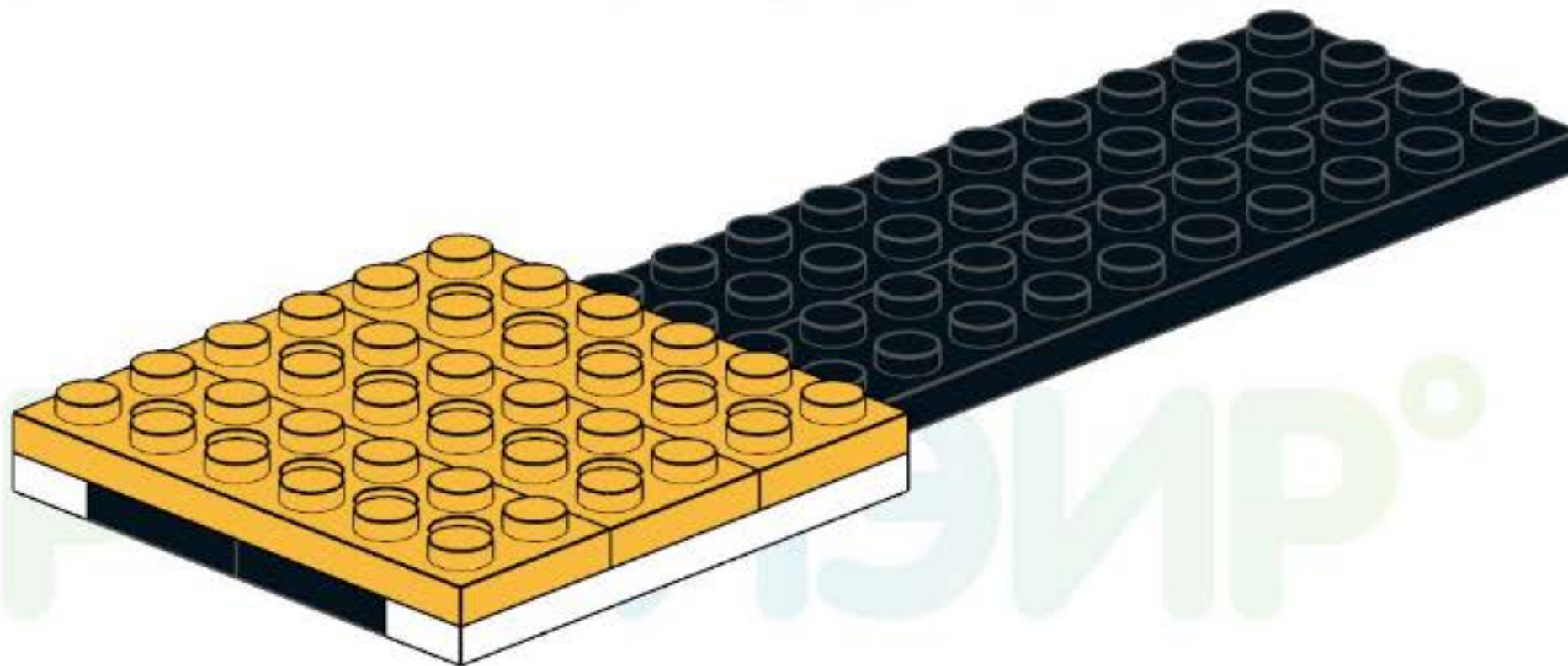
2



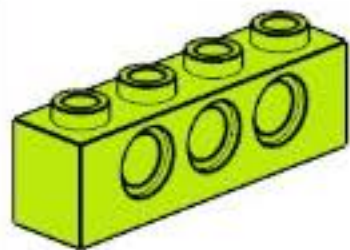
2x



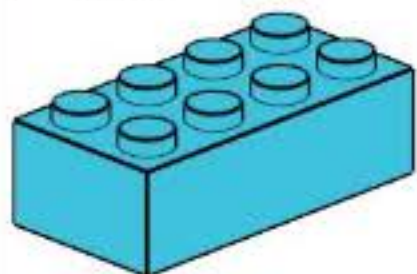
3x



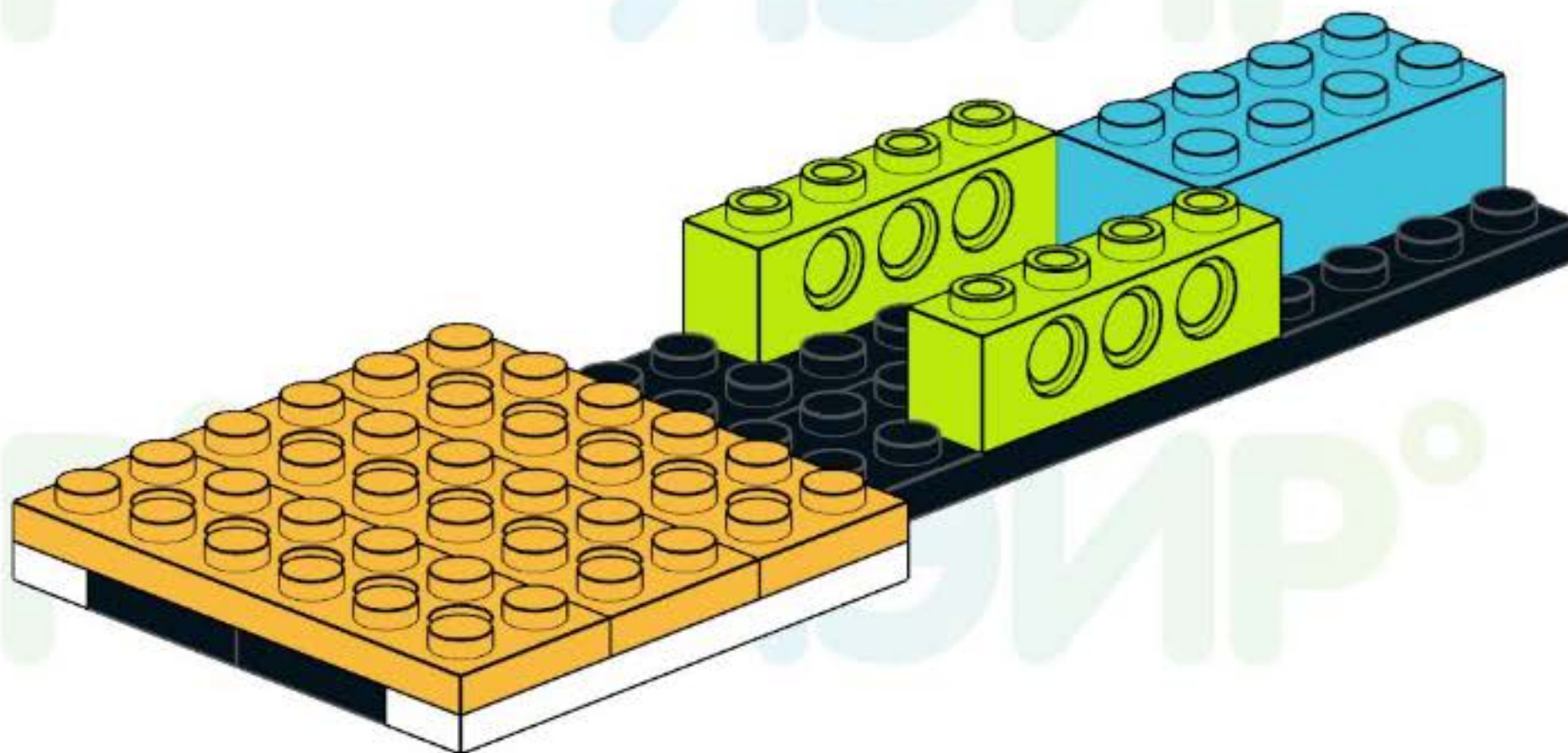
3

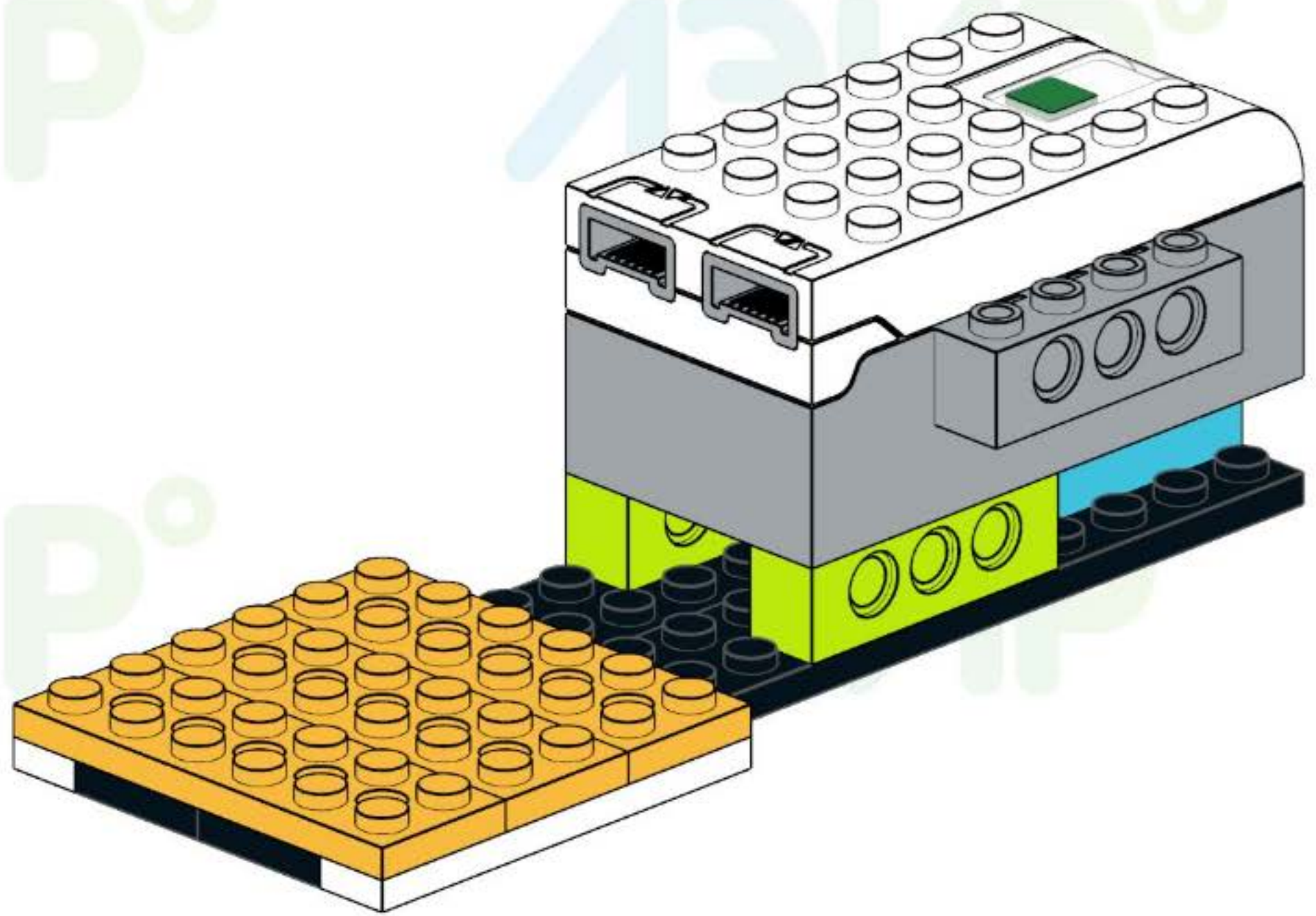


2x

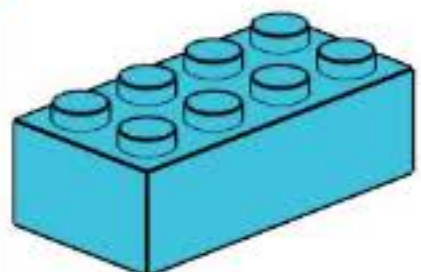


1x

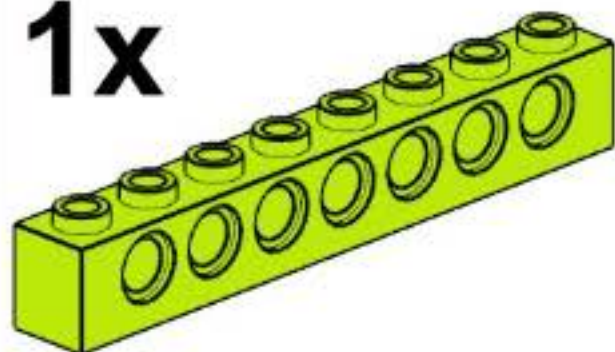




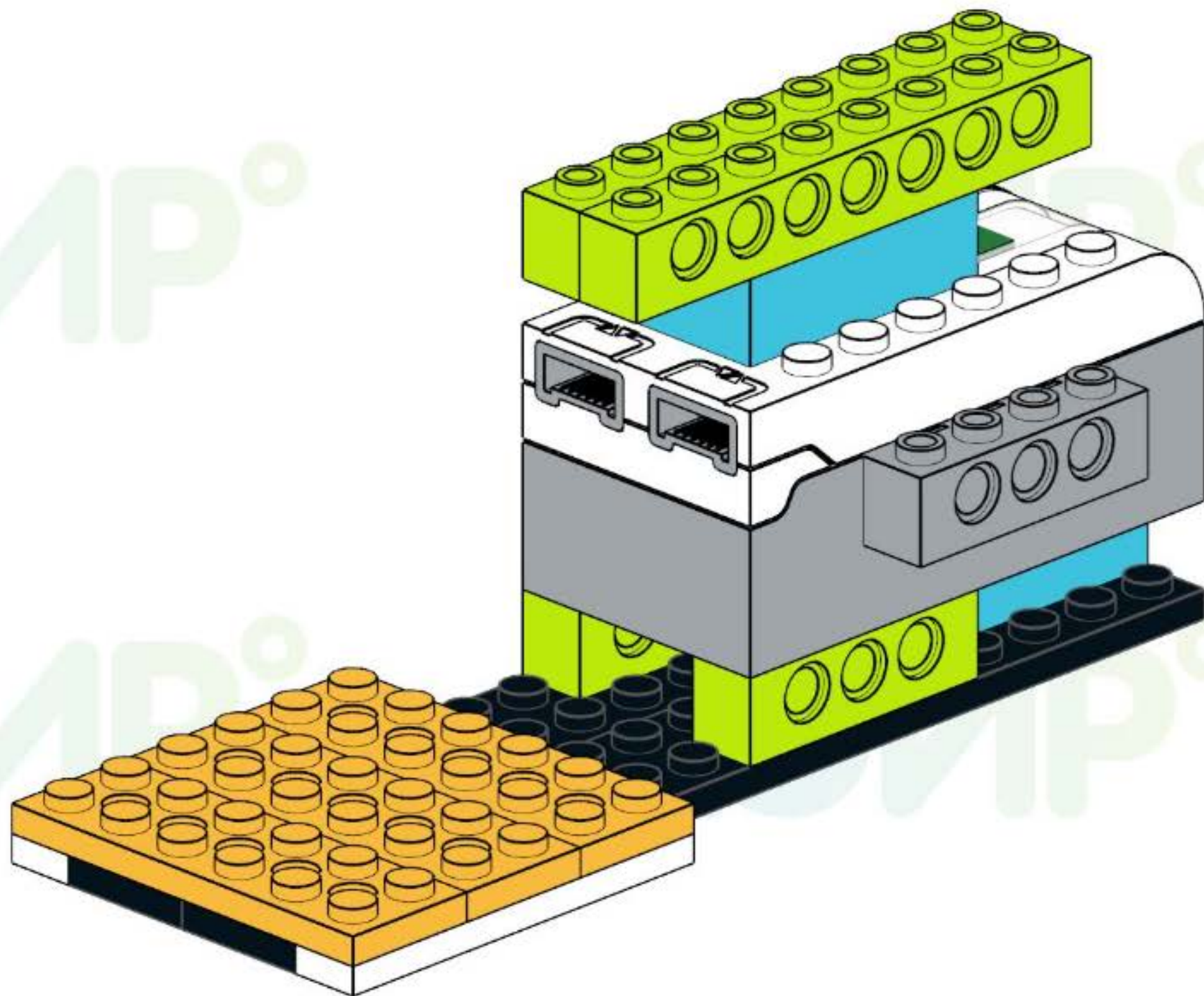
5



1x



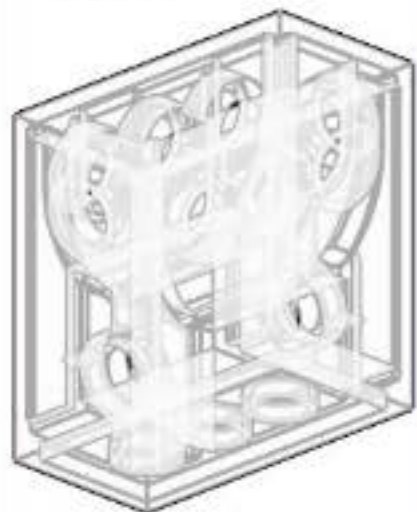
2x



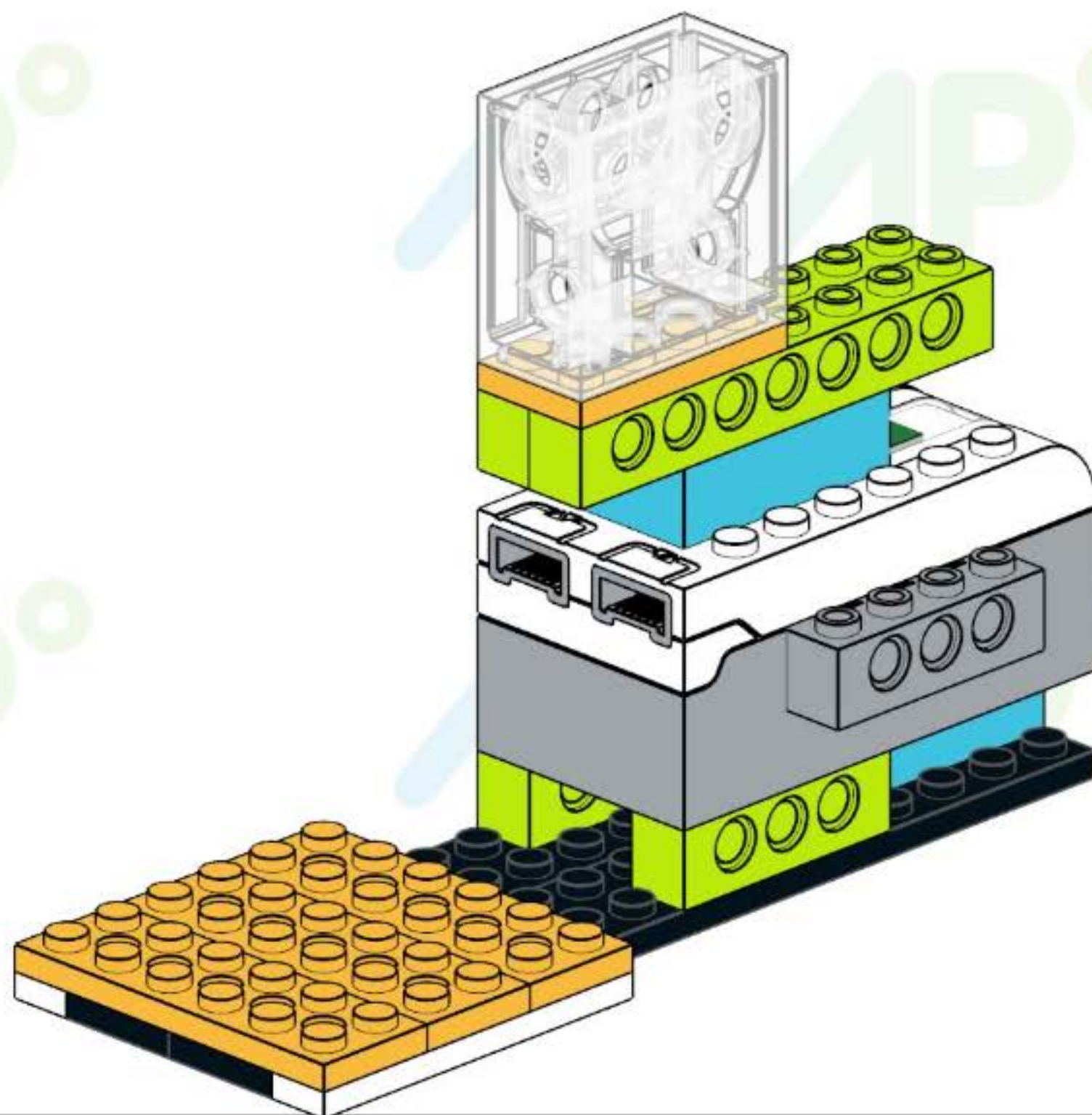
6



1x



1x



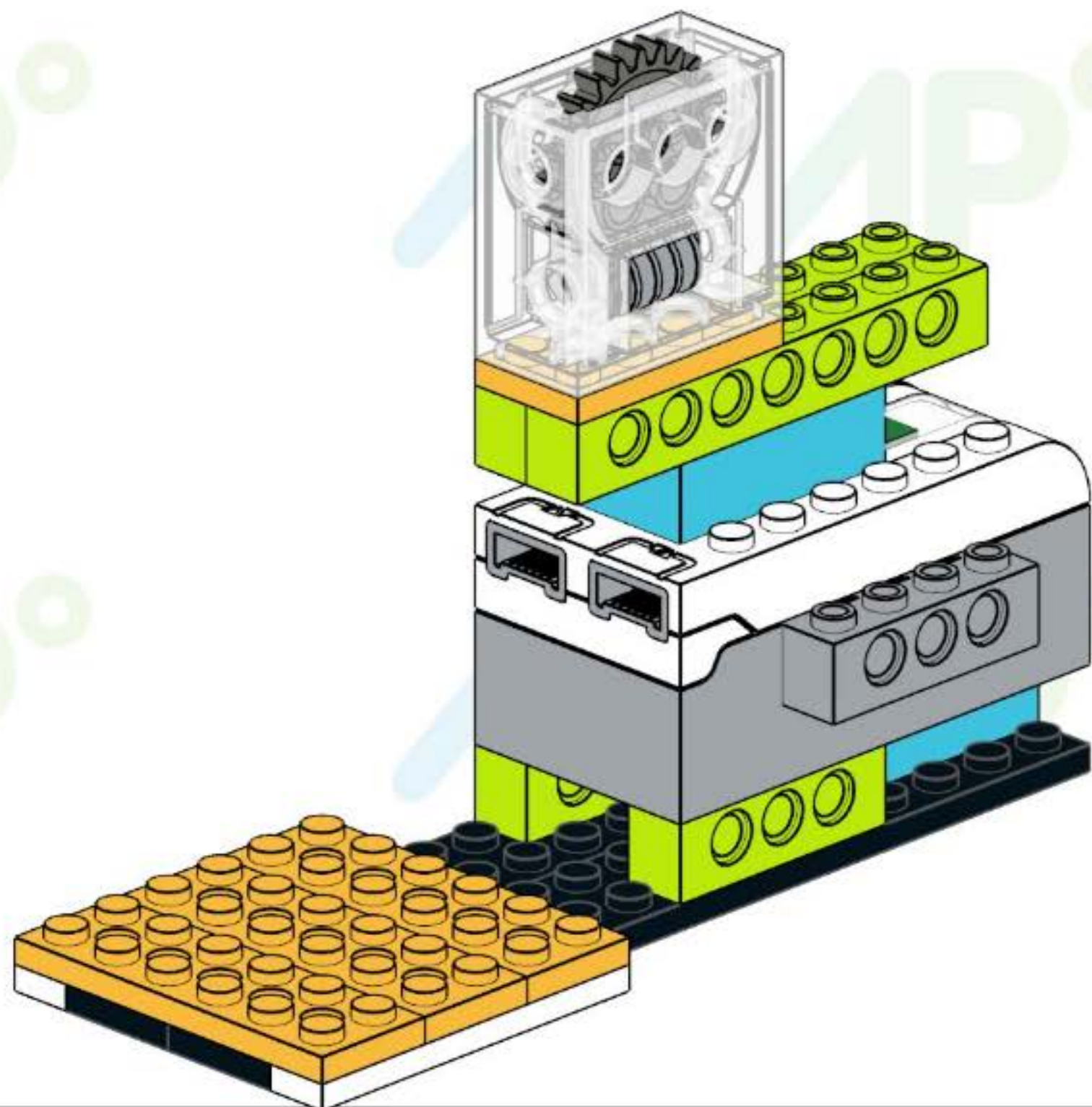
7



1x



1x



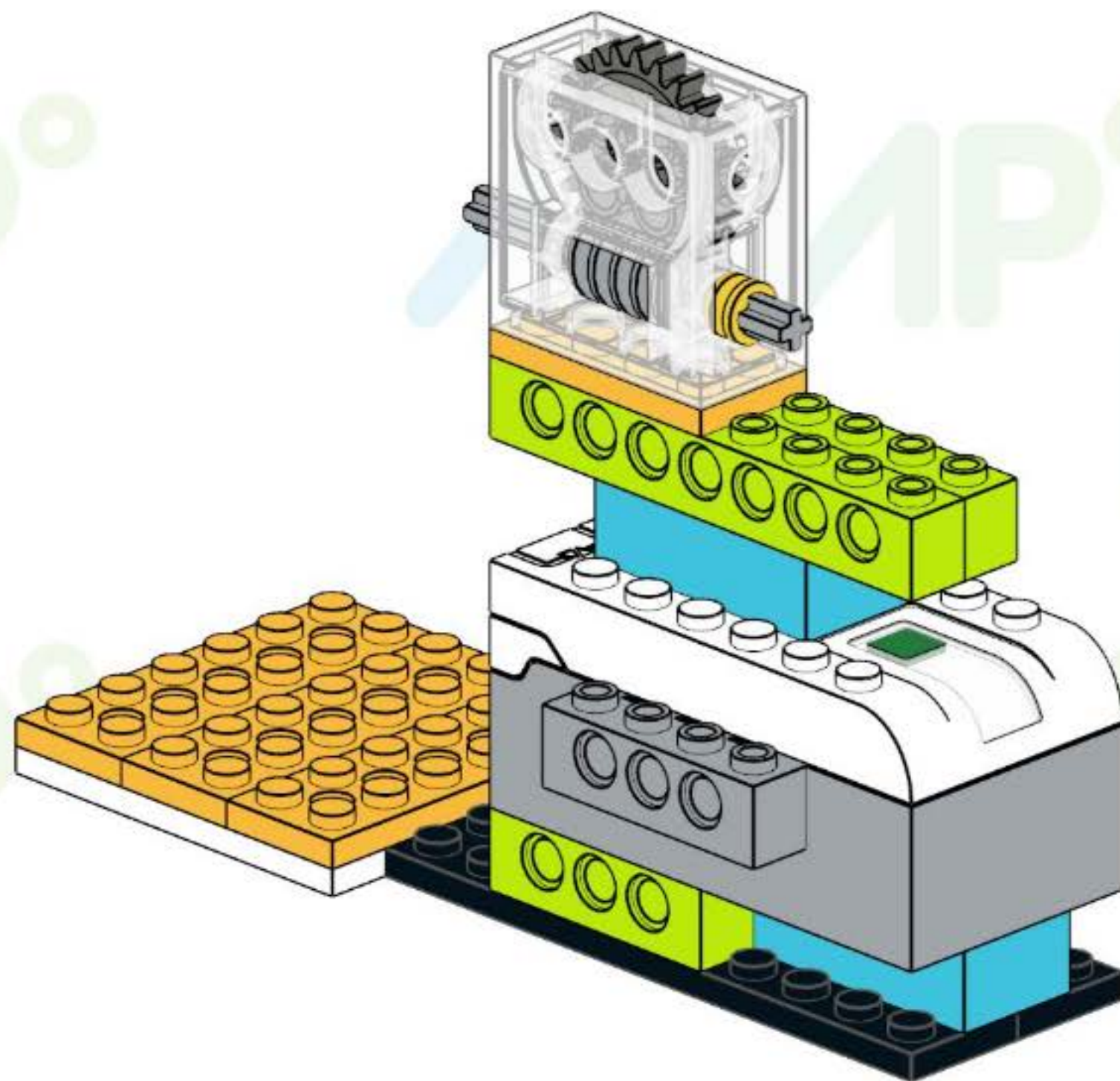
8

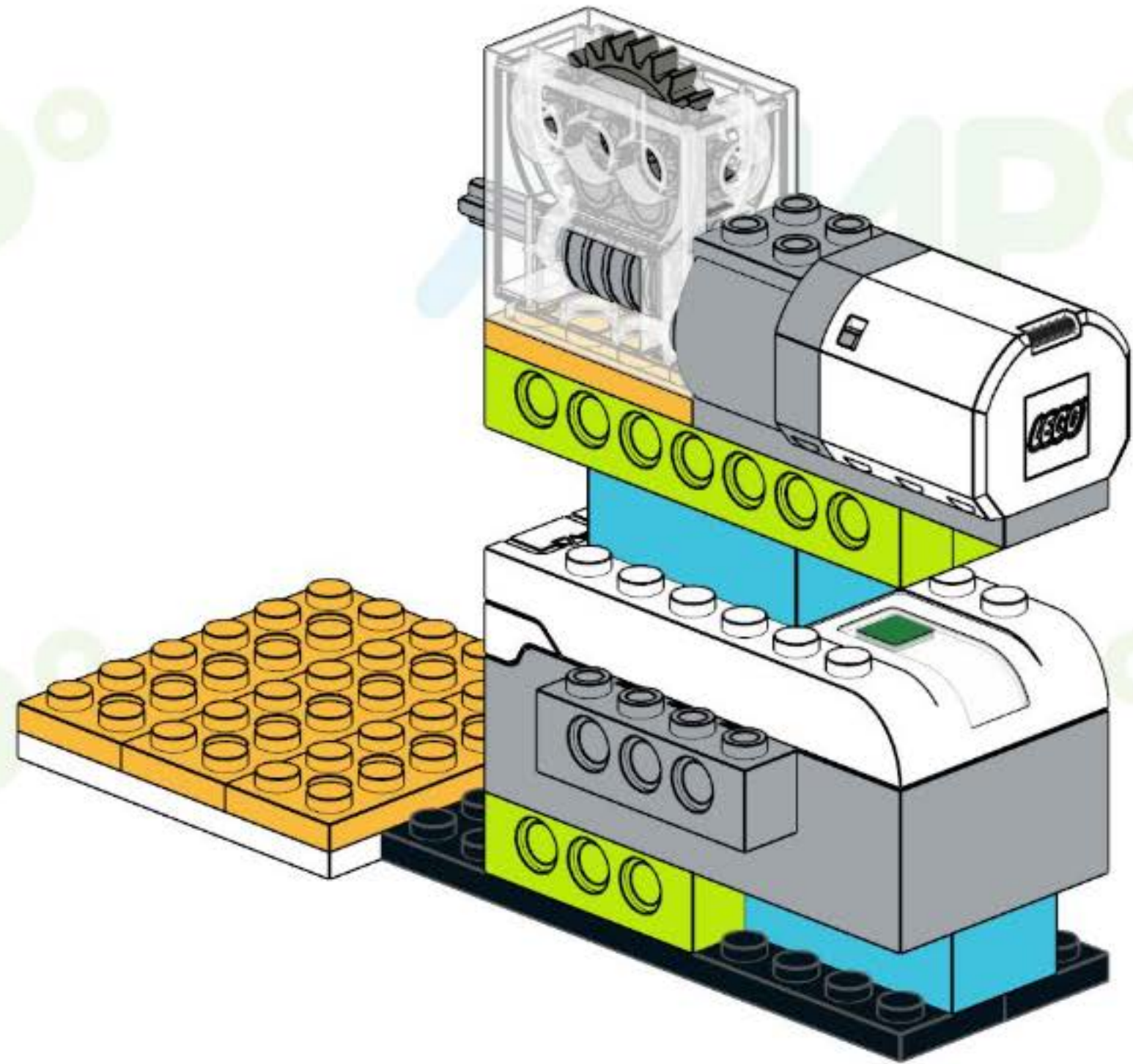


1x

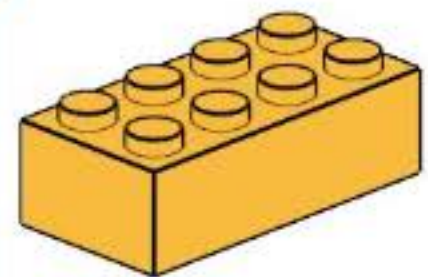


2x

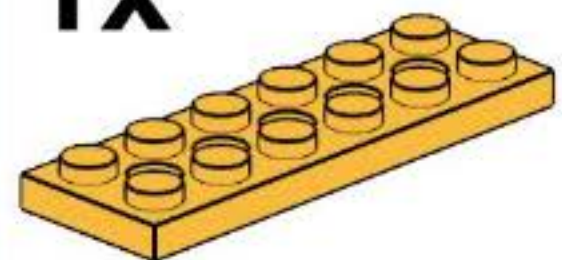




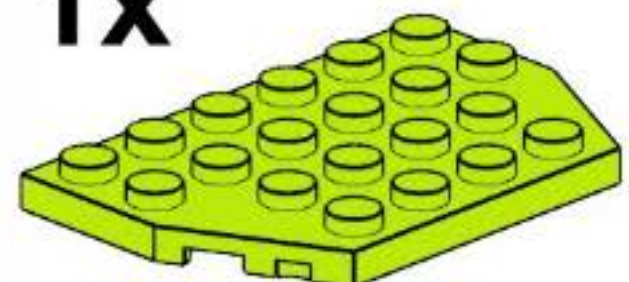
1



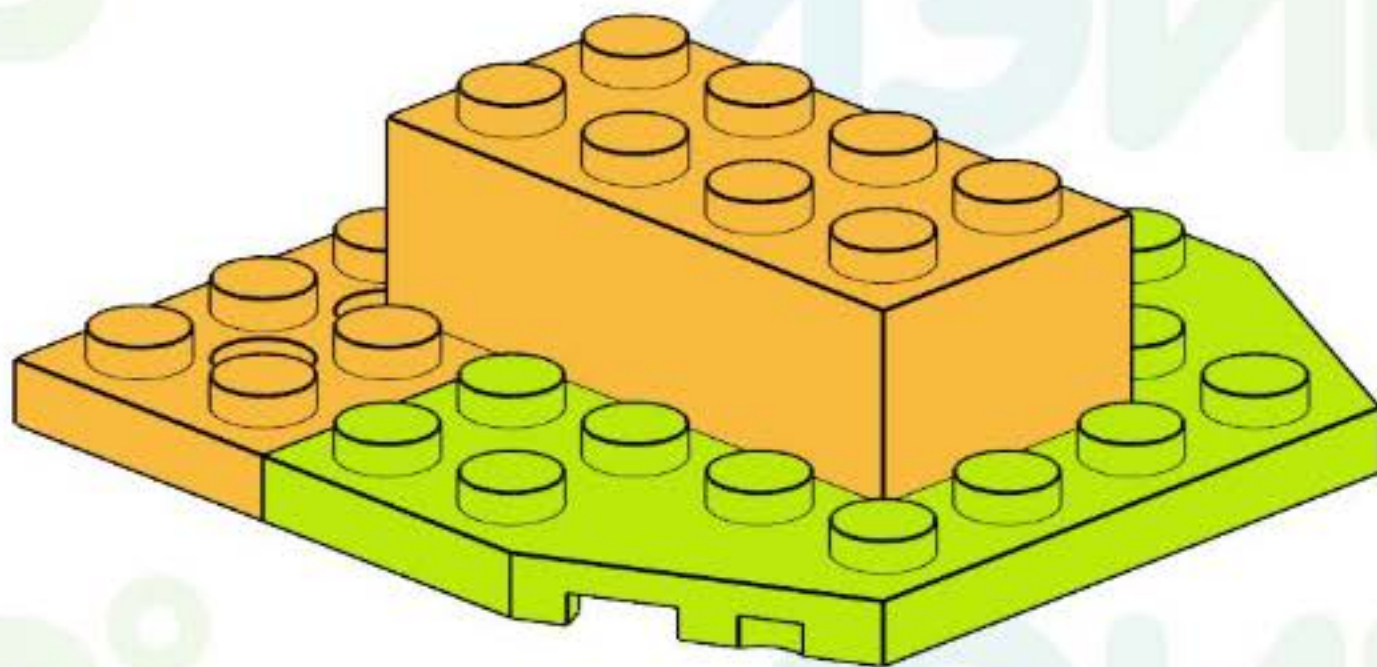
1x



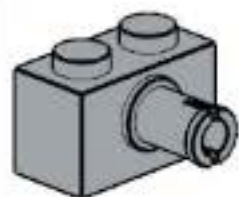
1x



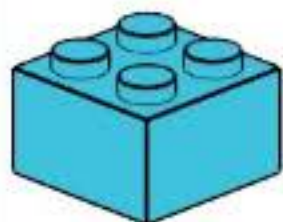
1x



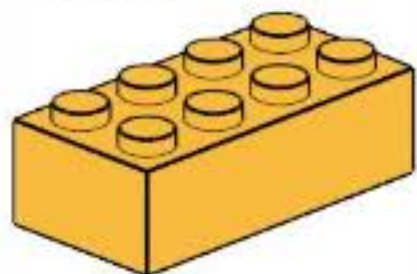
2



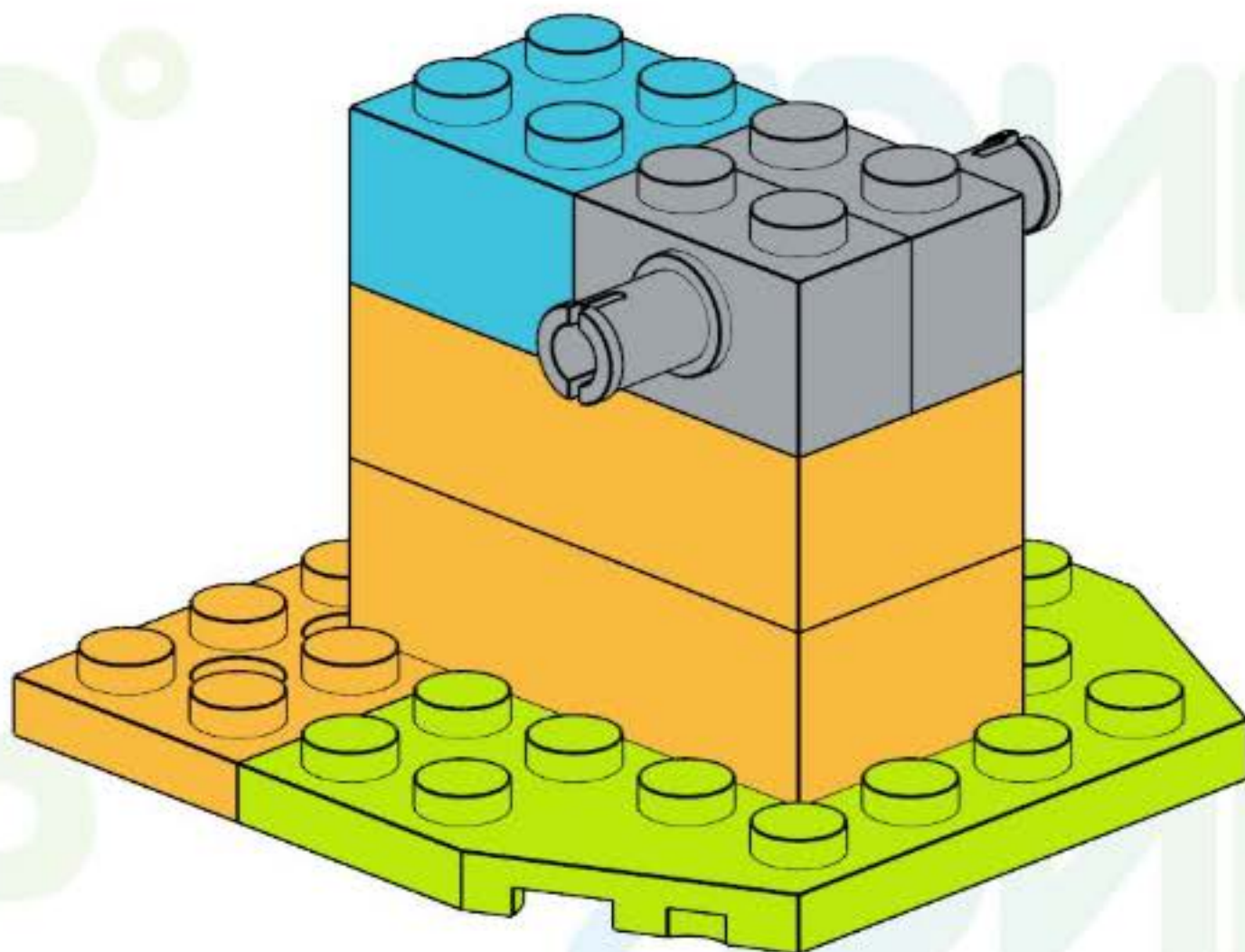
2x



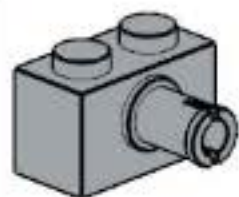
1x



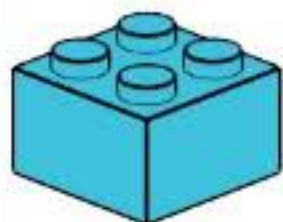
1x



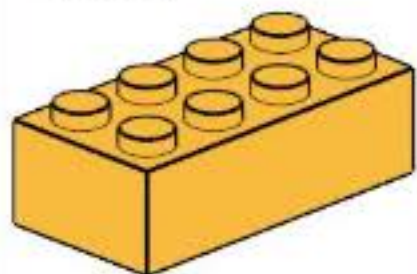
2



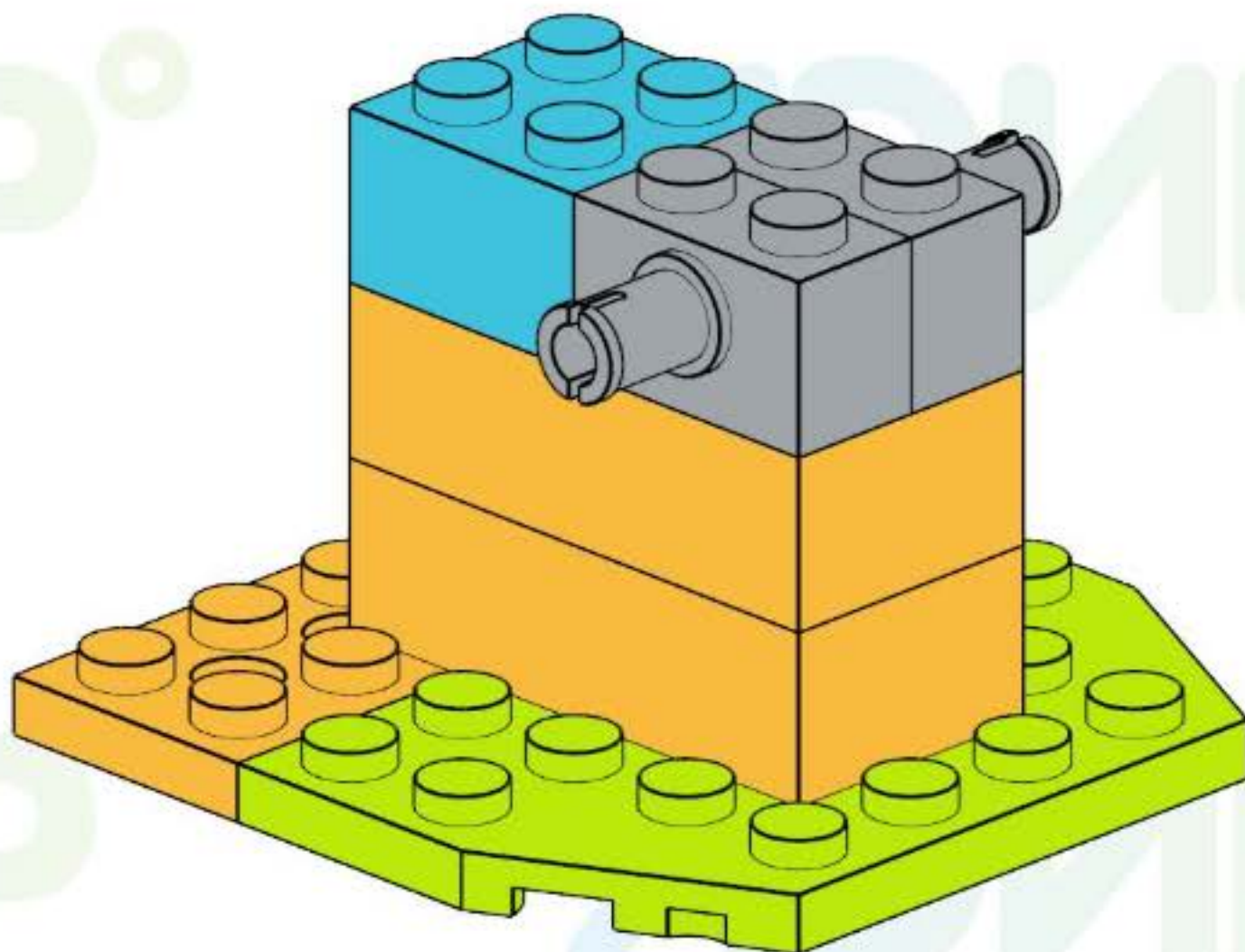
2x



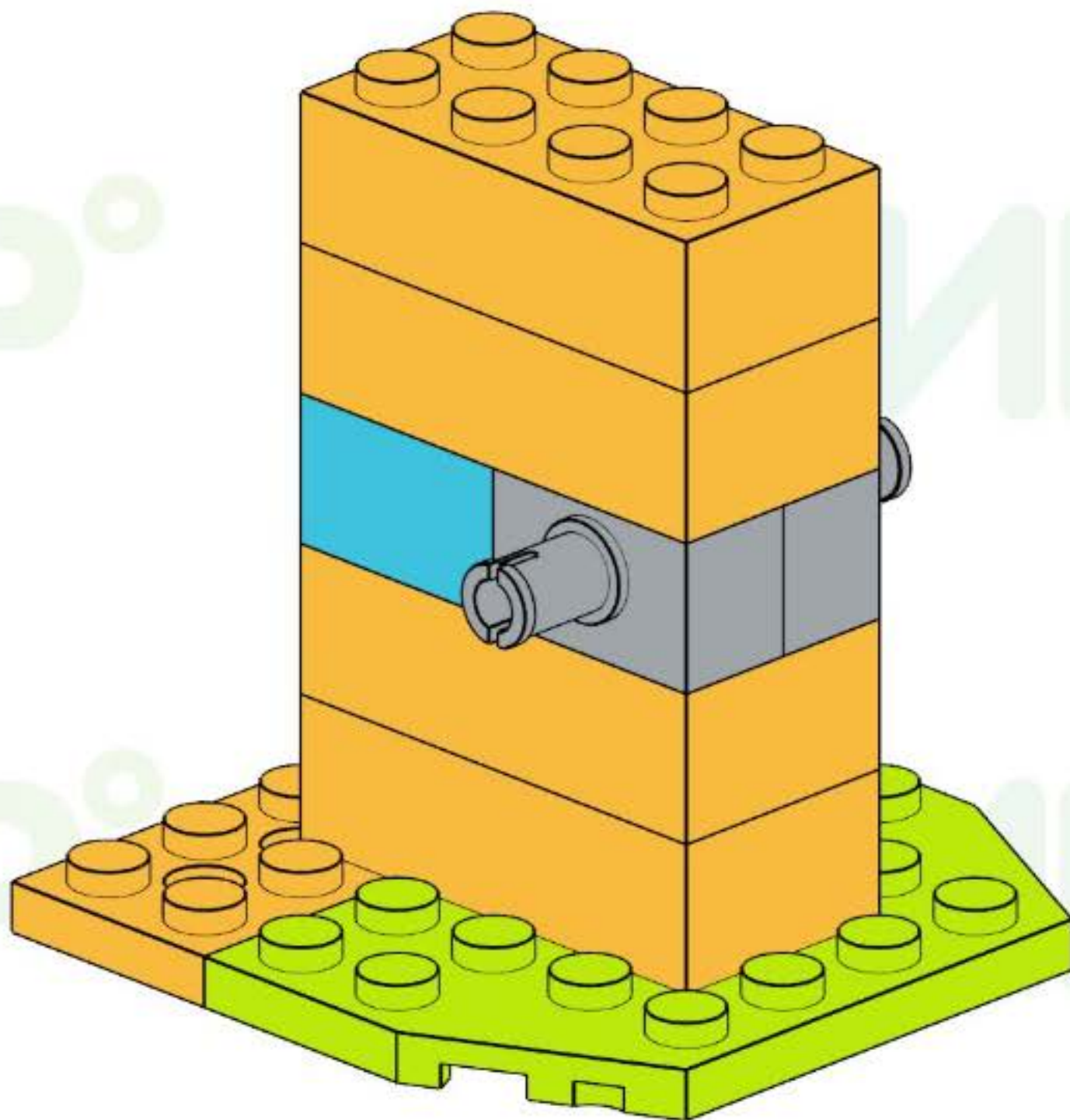
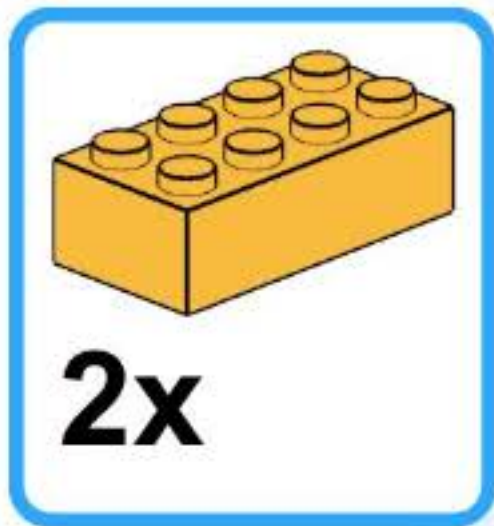
1x



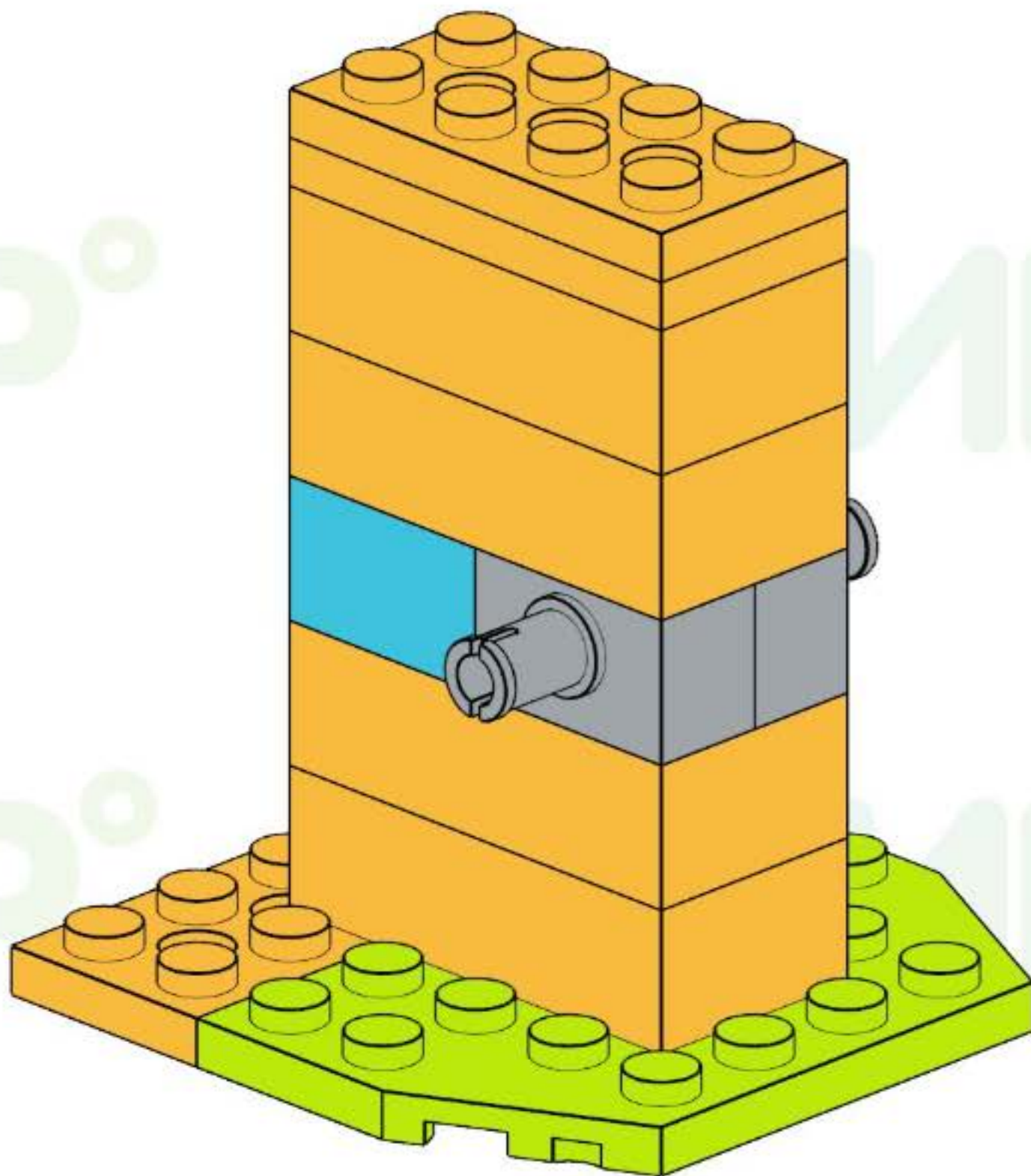
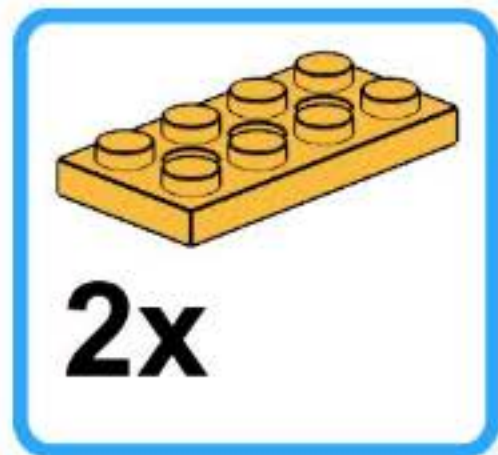
1x



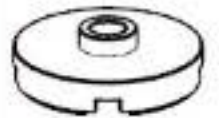
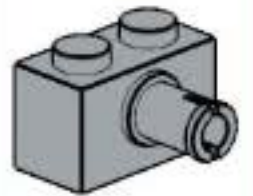
3

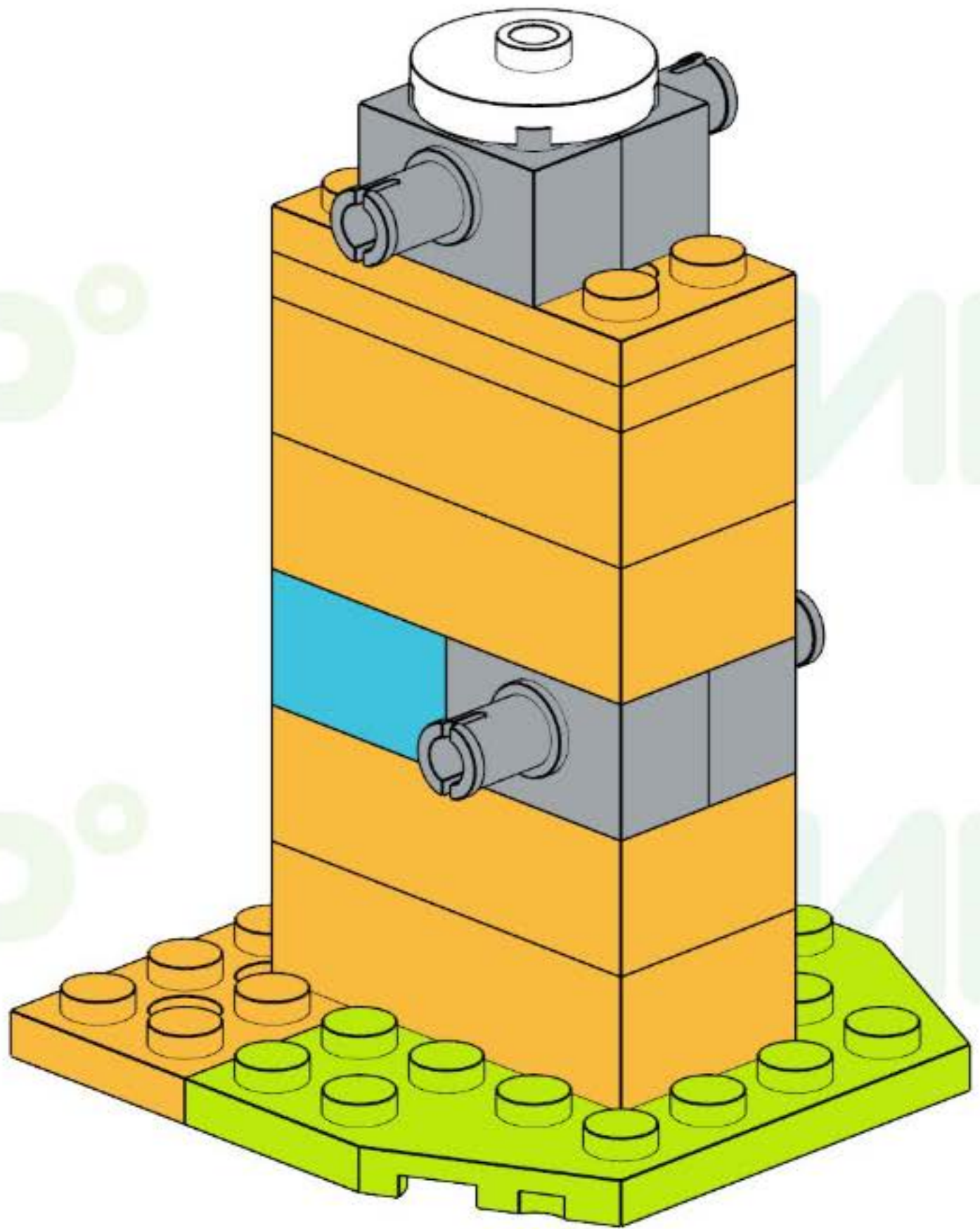


4

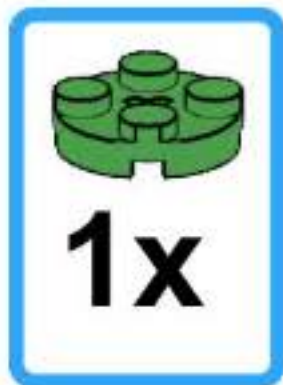


5

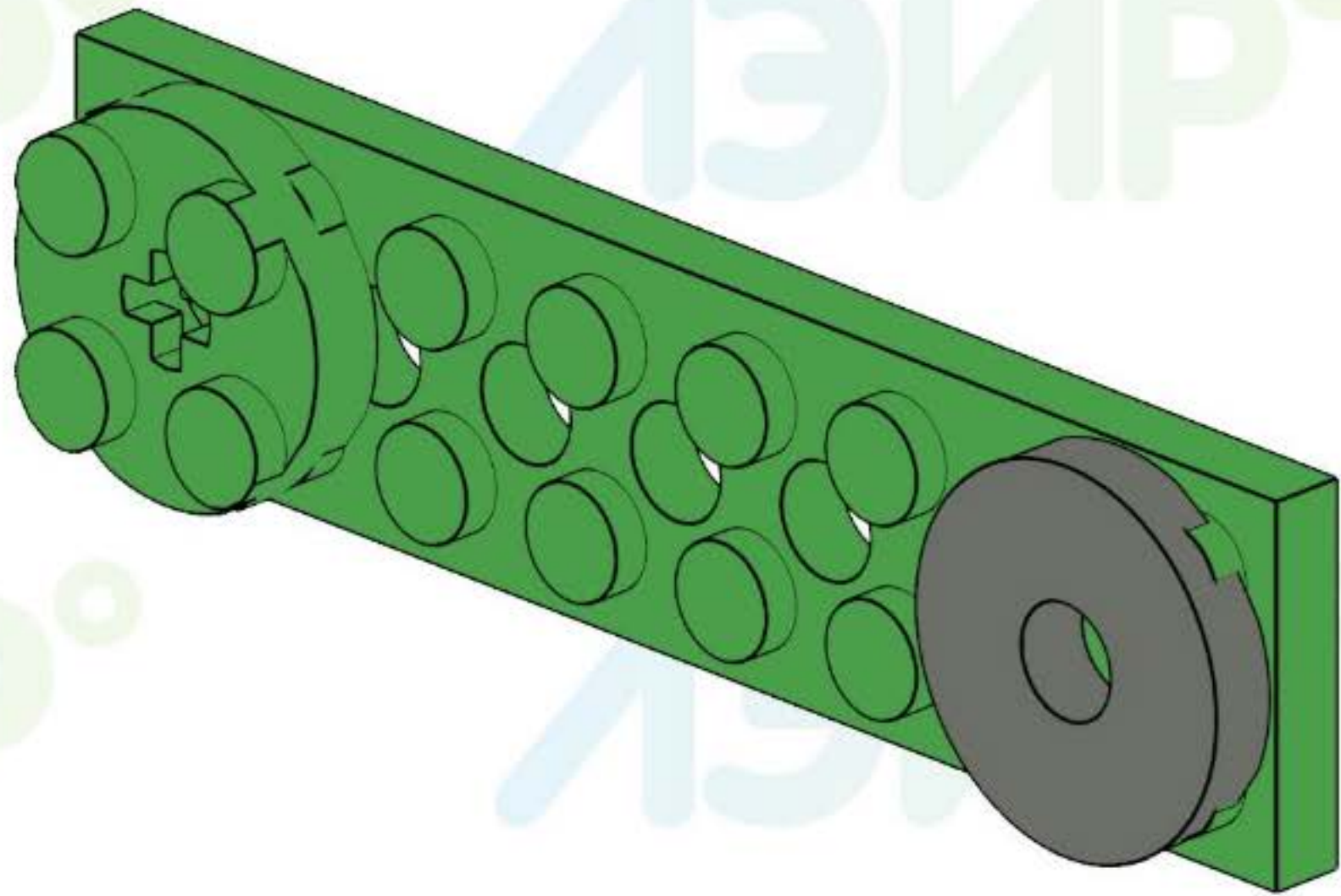
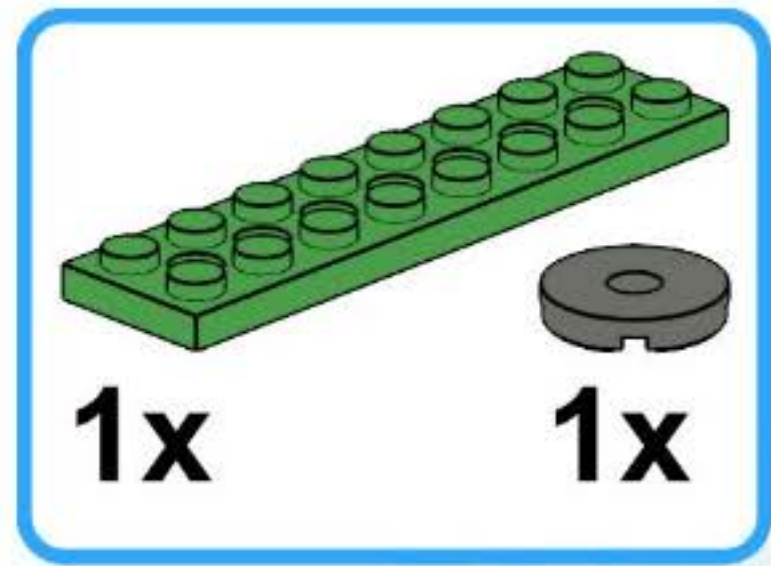
- 
1x
- 
2x



1

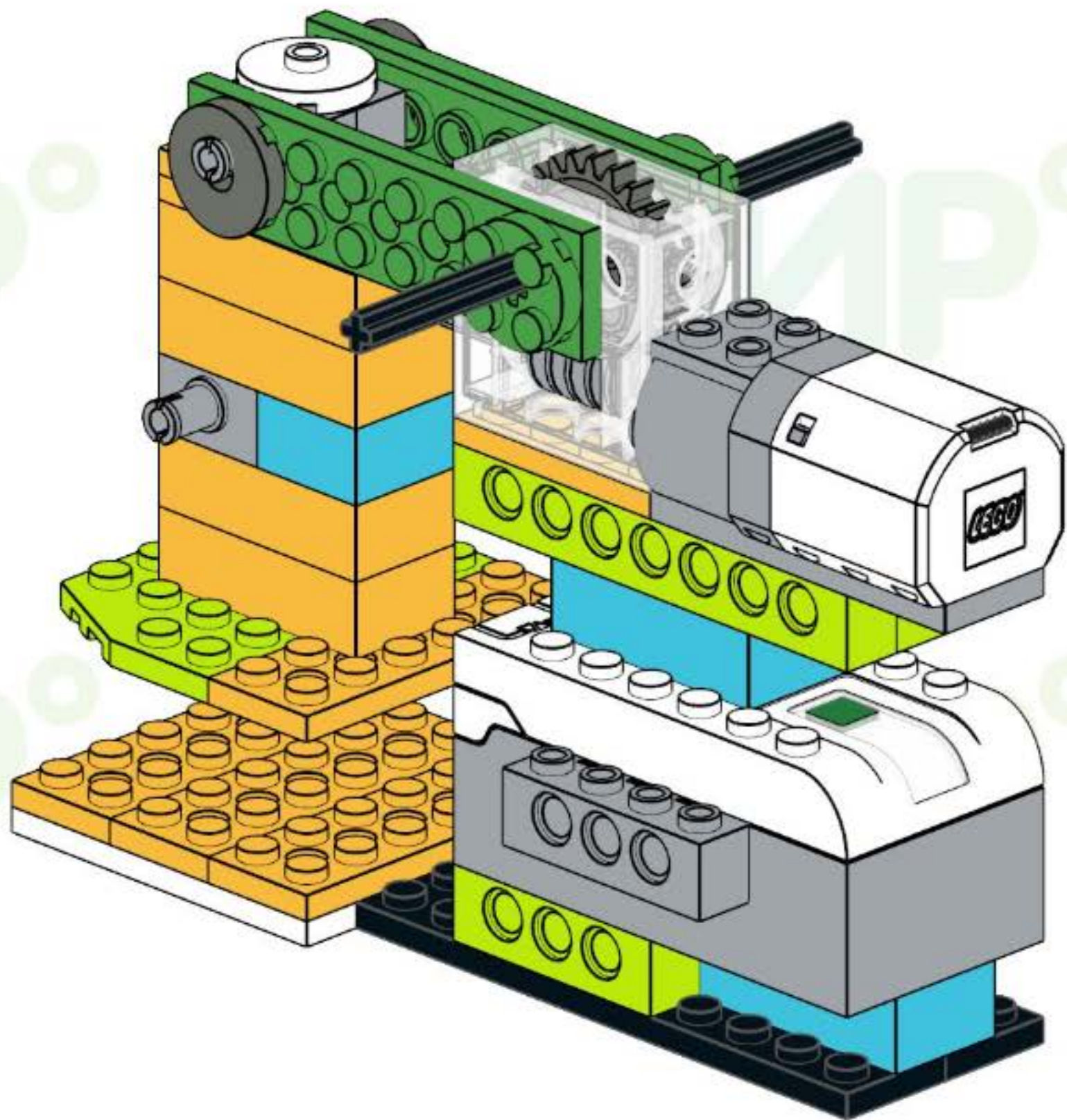


2



x2

10



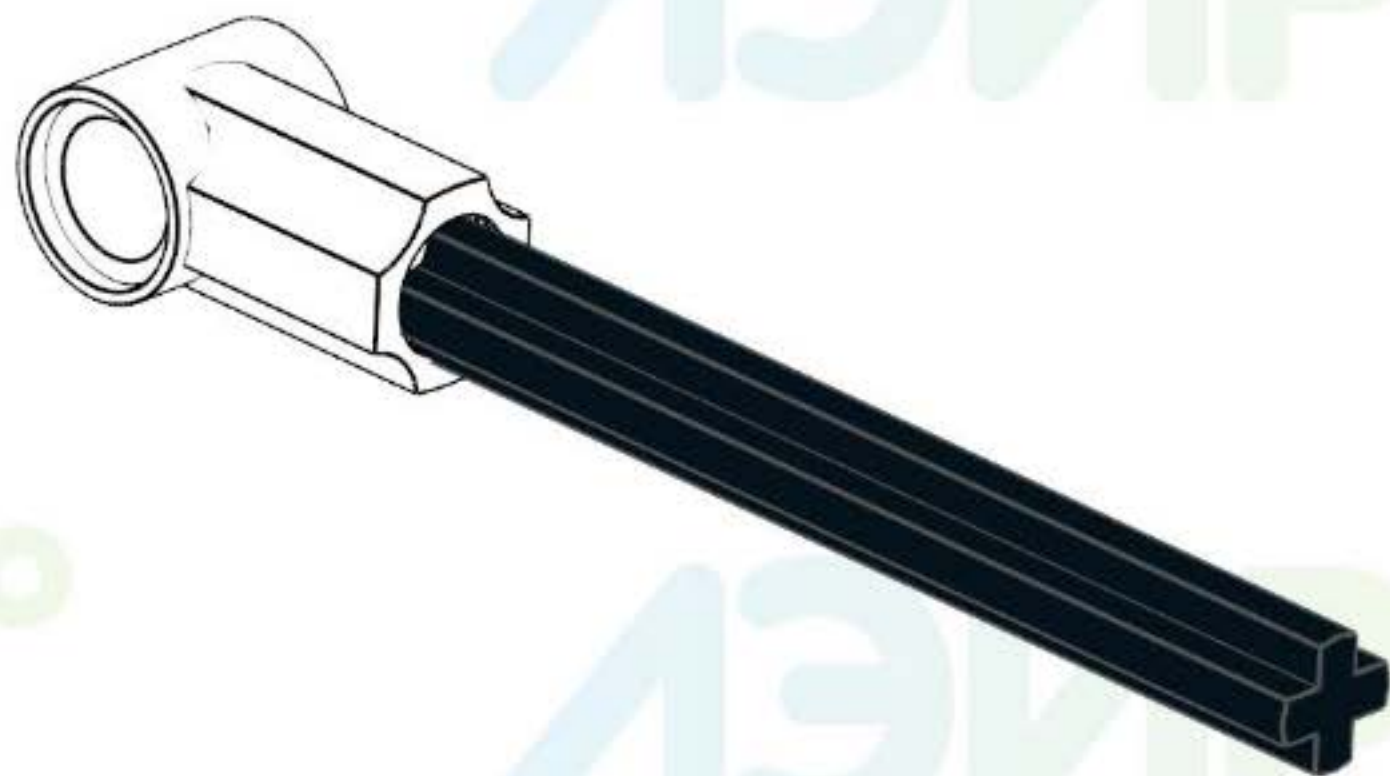
1



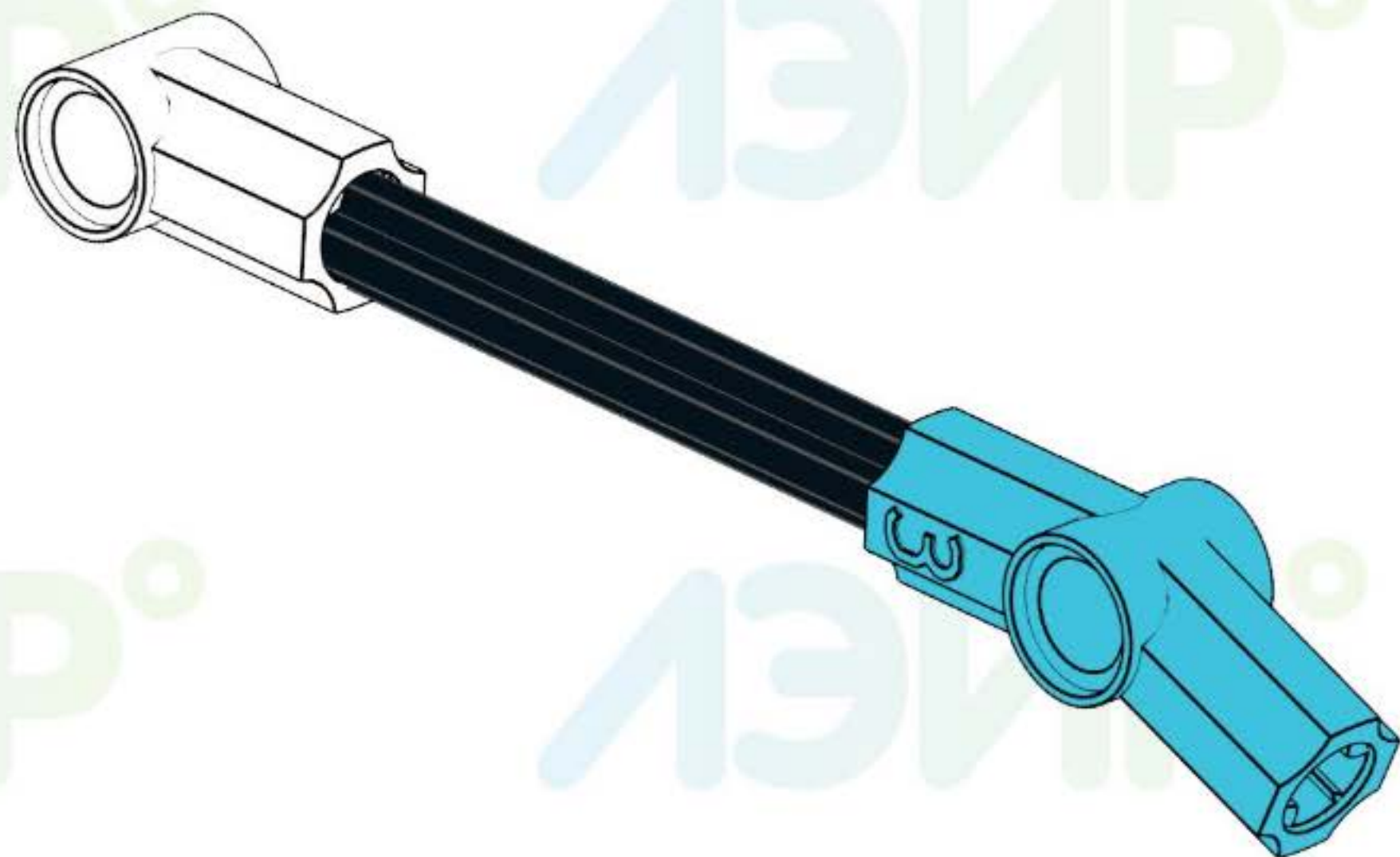
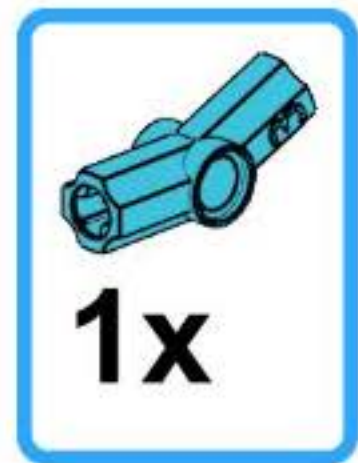
1x



1x

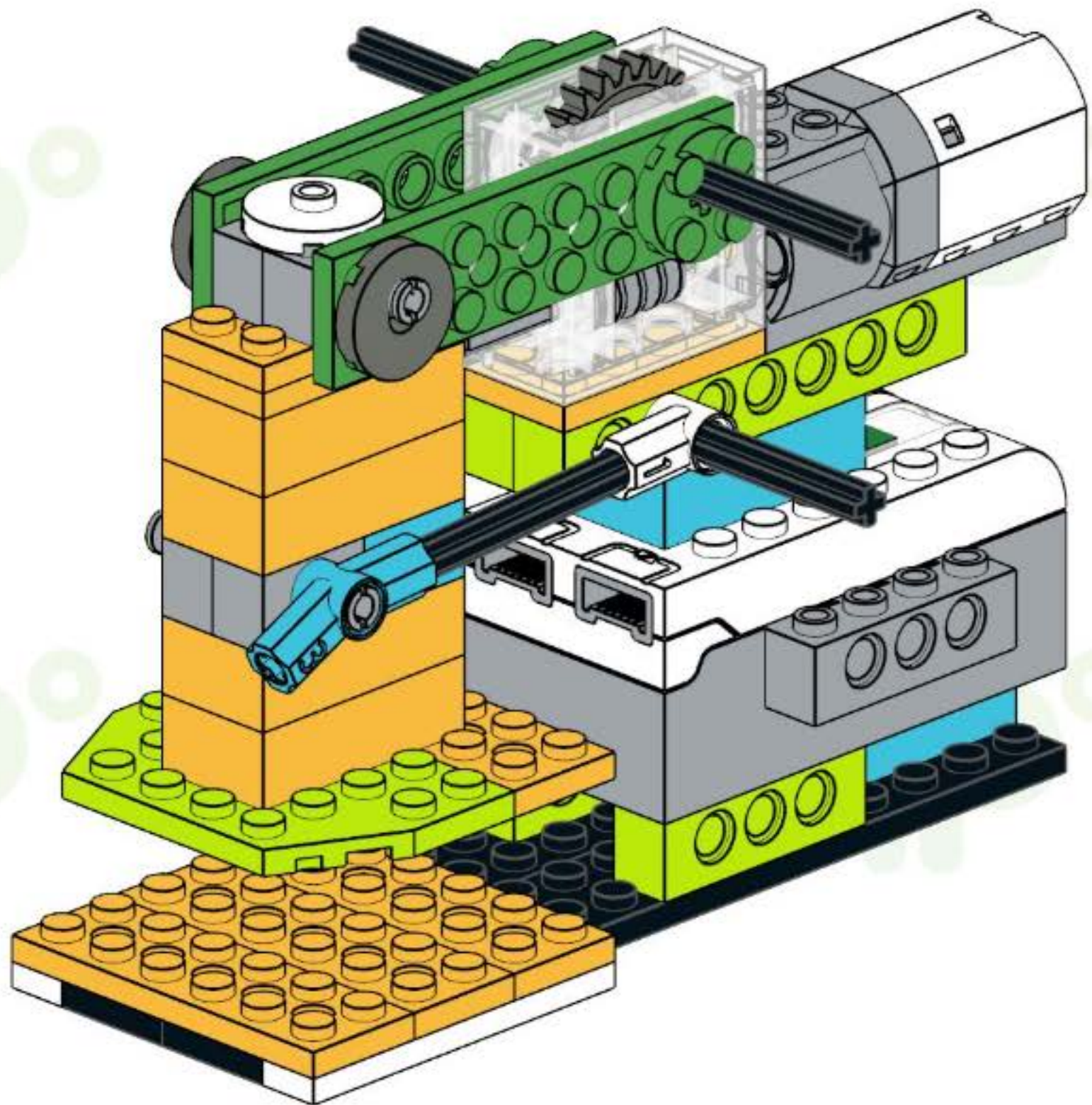


2

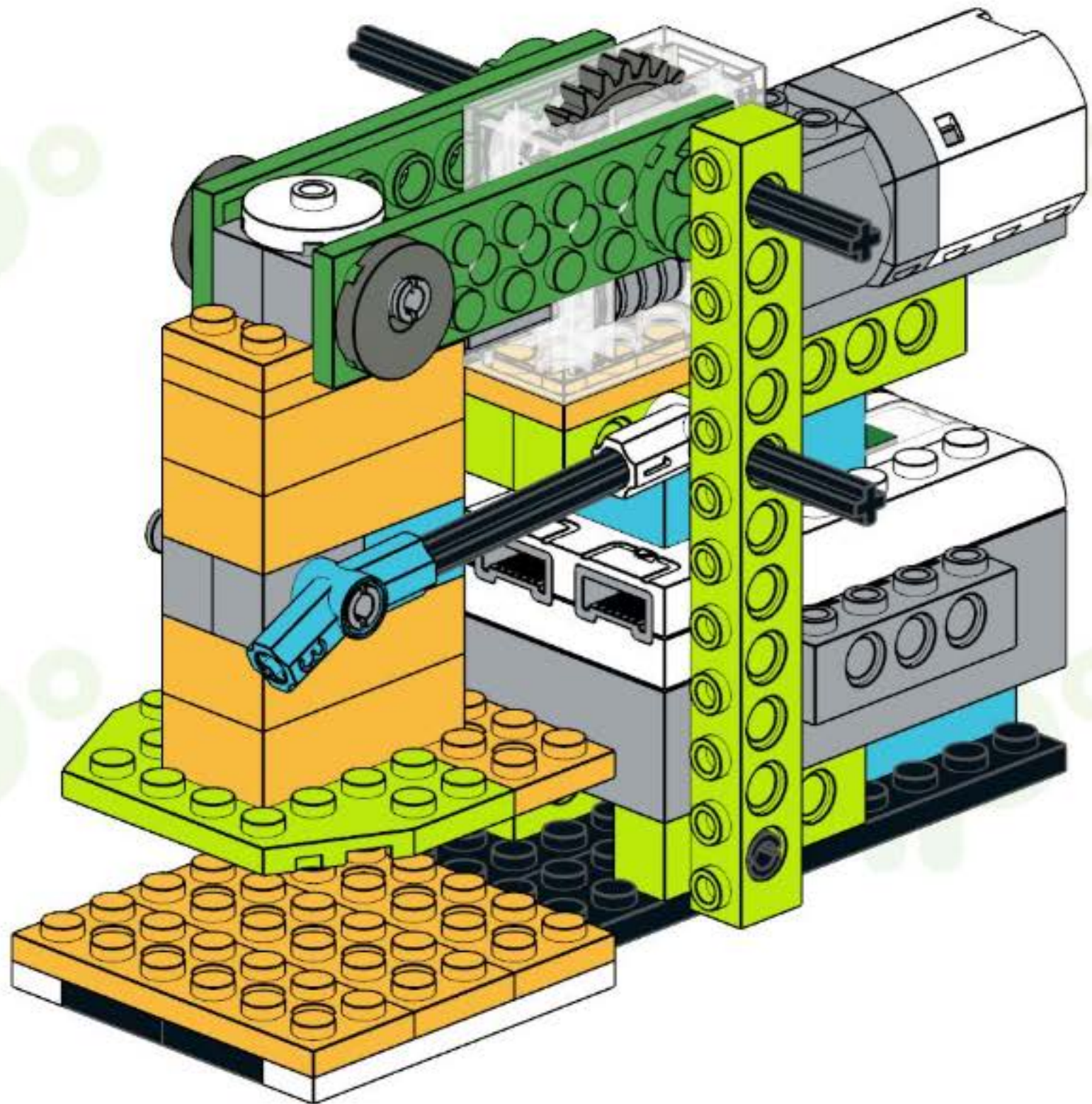
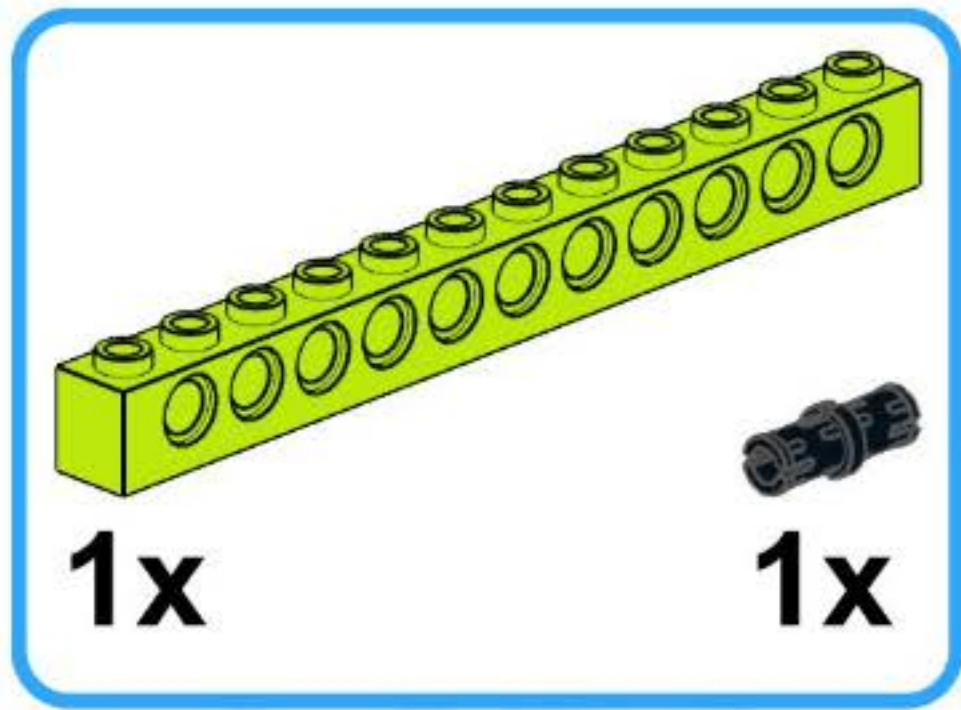


x2

11



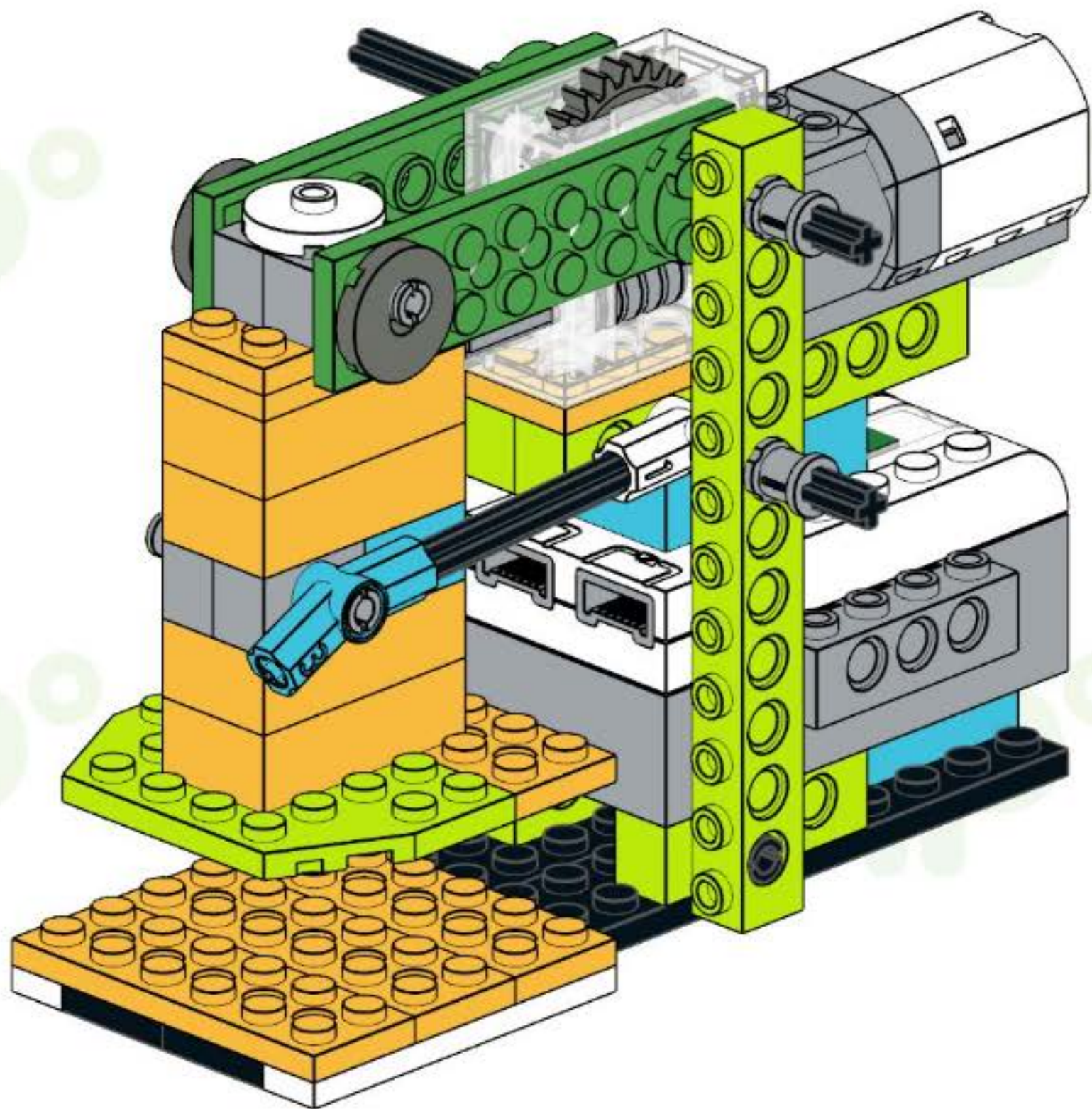
12

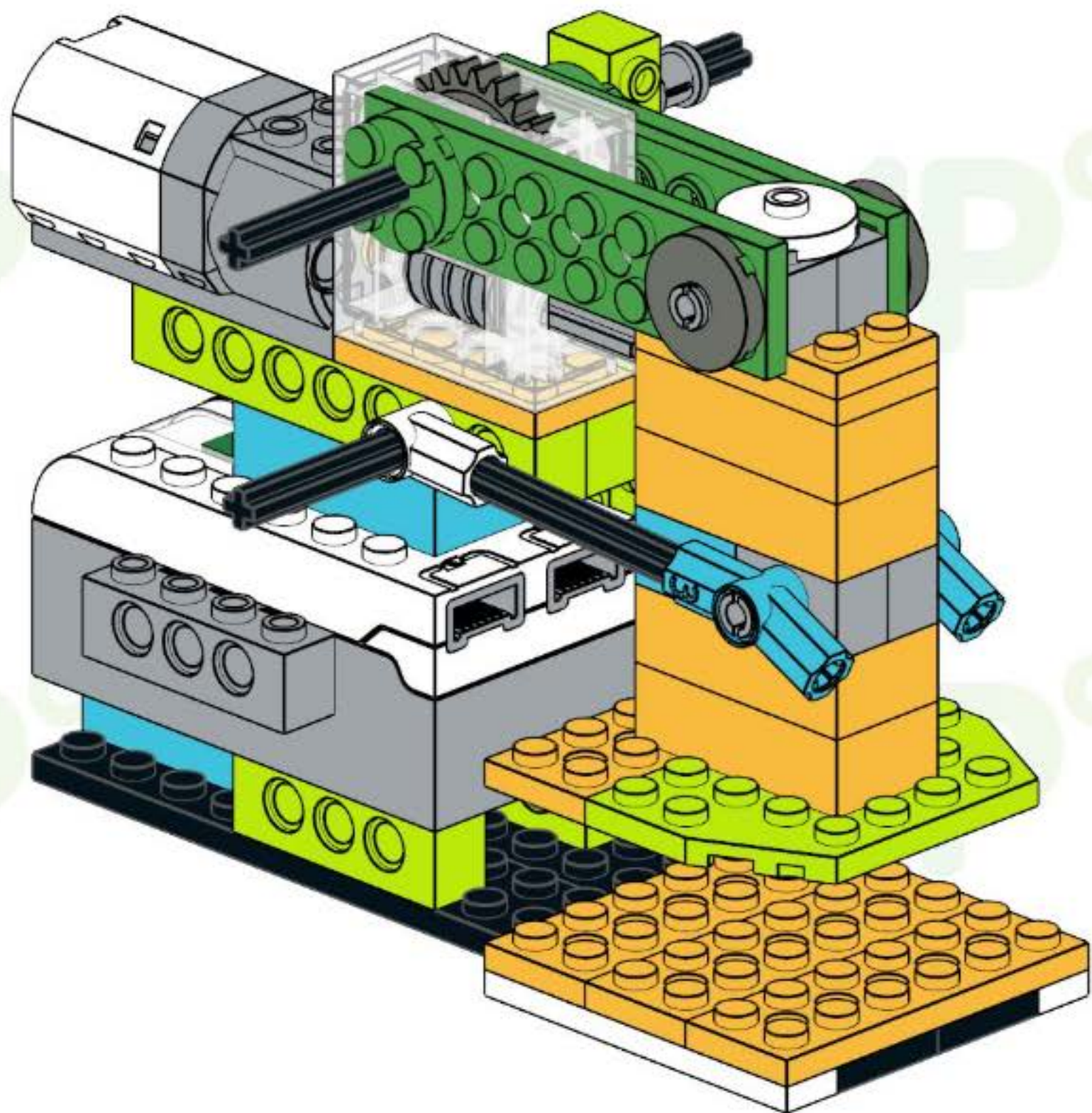


13

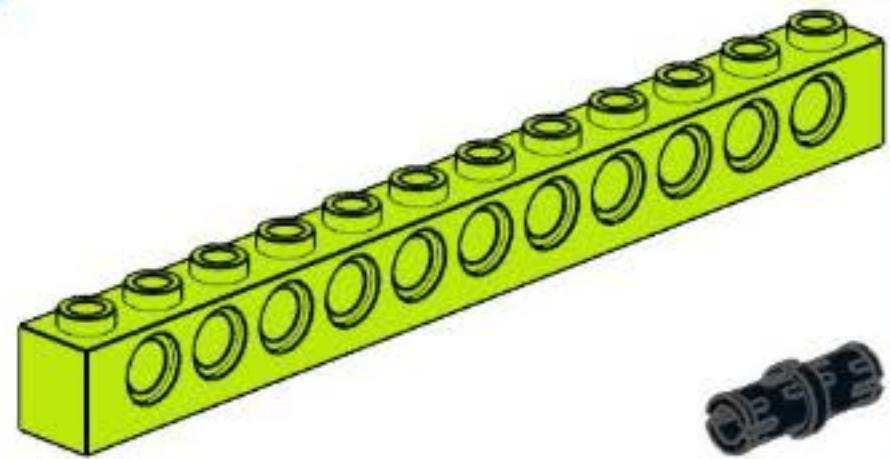


2x





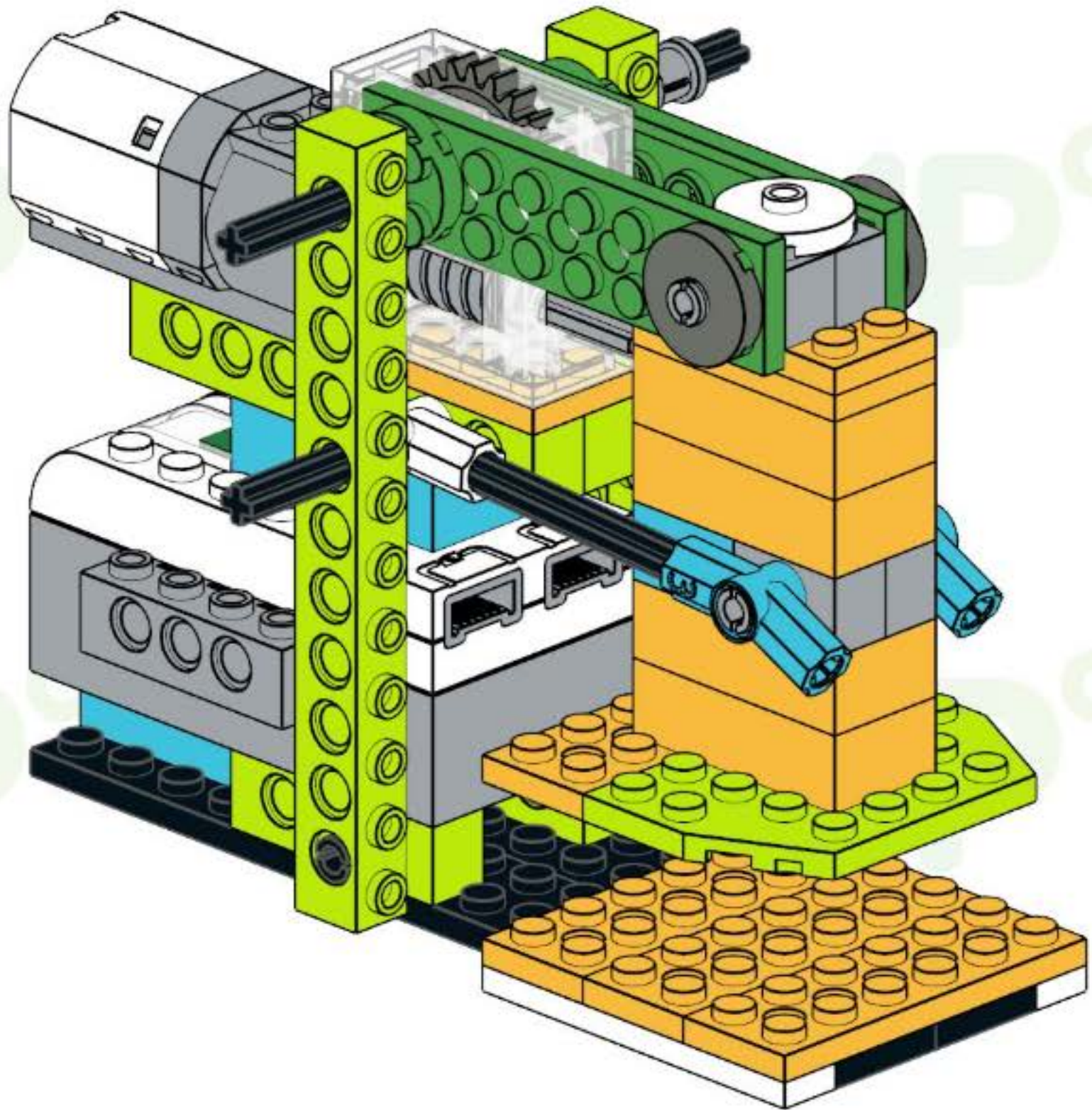
15



1x



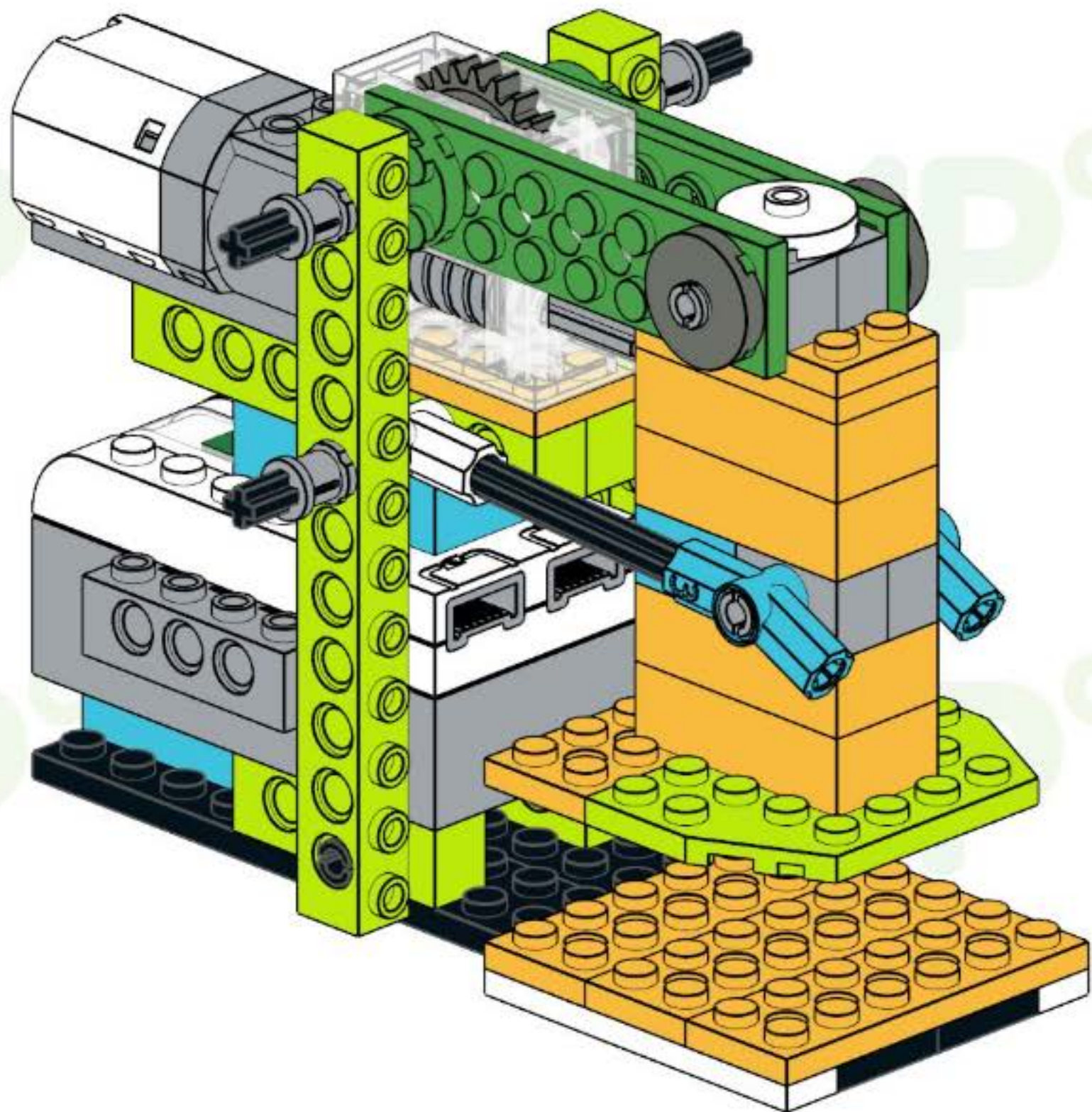
1x

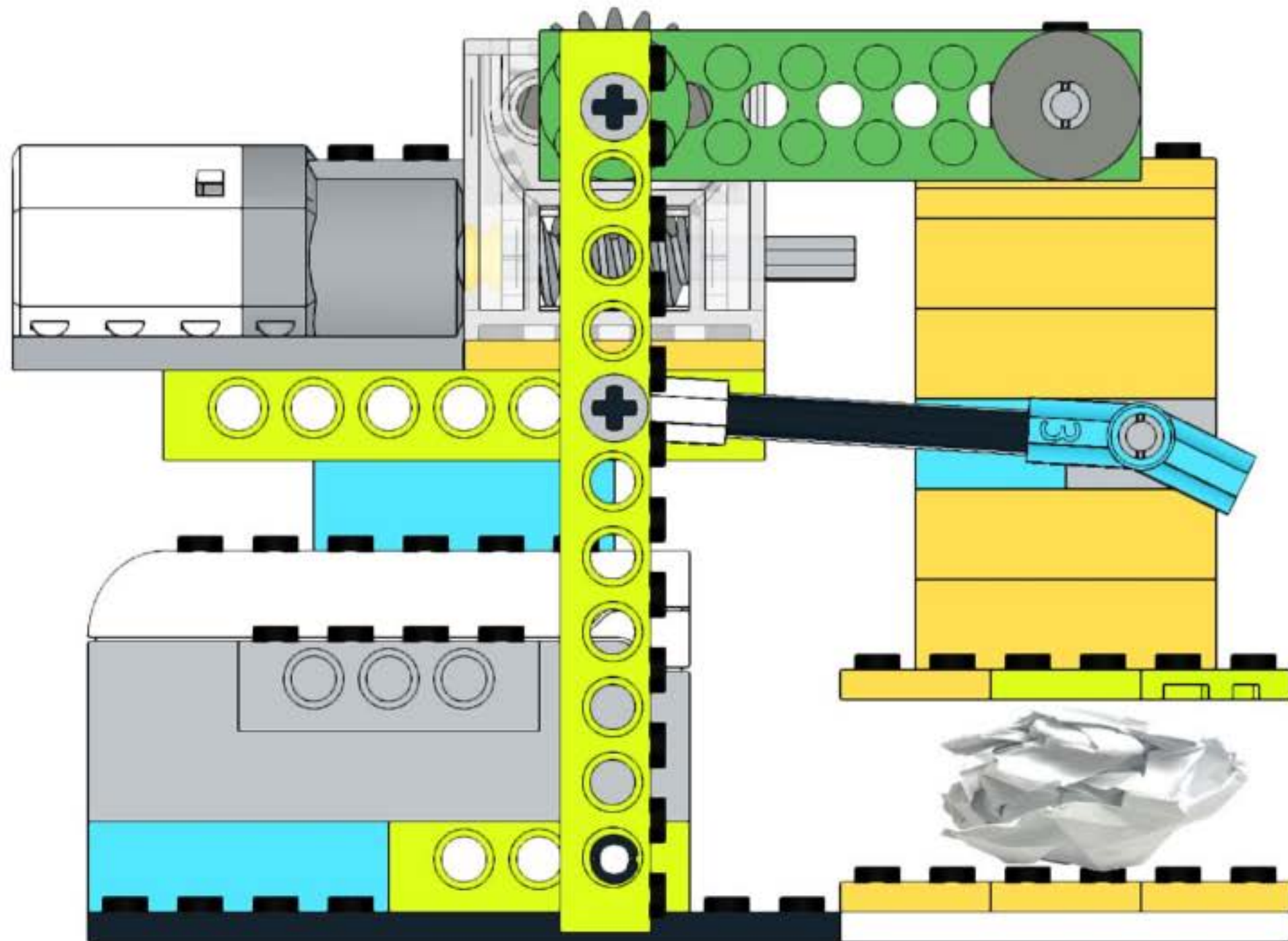


16



2x





Row 1: A sequence of four icons. The first is a yellow play button. The second is a green icon of a printer with a paper tray, labeled with the number '3'. The third is a green icon of a printer with a circular arrow, representing a refresh or redo action. The fourth is a green icon of a printer with an hourglass, representing a pause or wait action, labeled with the number '1.3'.

Row 2: A sequence of two icons. The first is a yellow play button. The second is a green icon of a printer with a large white 'X' over it, representing a failed or error state.

Row 3: A sequence of four icons. The first is a yellow play button. The second is a green icon of a printer with a paper tray, labeled with the number '3'. The third is a green icon of a printer with a circular arrow, representing a refresh or redo action. The fourth is a green icon of a printer with an hourglass, representing a pause or wait action, labeled with the number '1.3'.

Bottom toolbar containing various icons: printer with paper tray, printer with hourglass, printer with 'X', printer with circular arrow, printer with refresh arrow, printer with paper tray, red music note, red speech bubble with a person icon, red speech bubble with '123', red speech bubble with '+123', red speech bubble with a crossed-out person icon, yellow play button, and a yellow button with a plus sign.

Right sidebar containing: a printer icon with a plus sign, a microphone icon, and a volume icon.