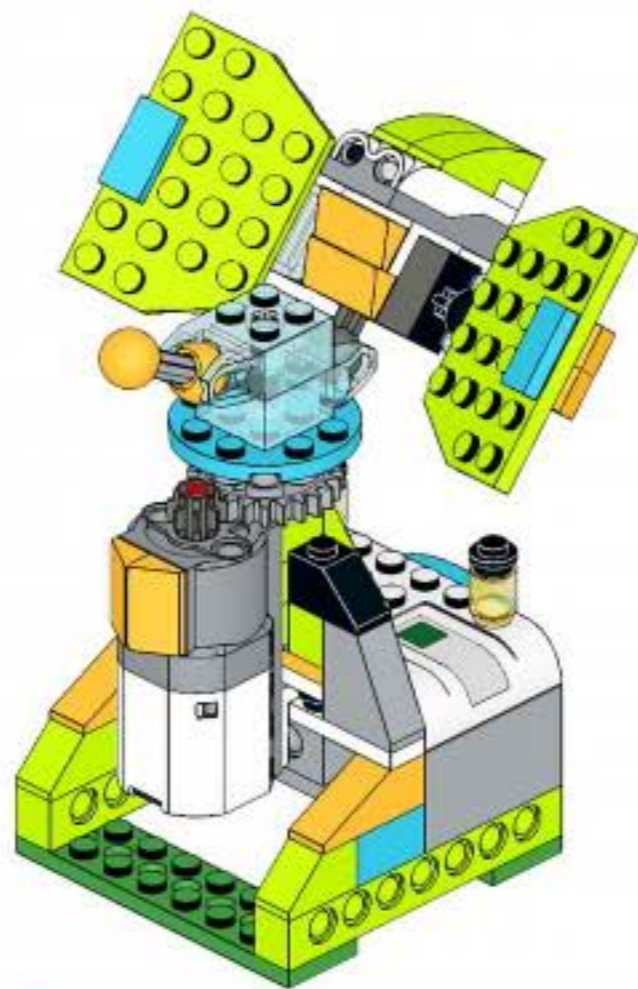
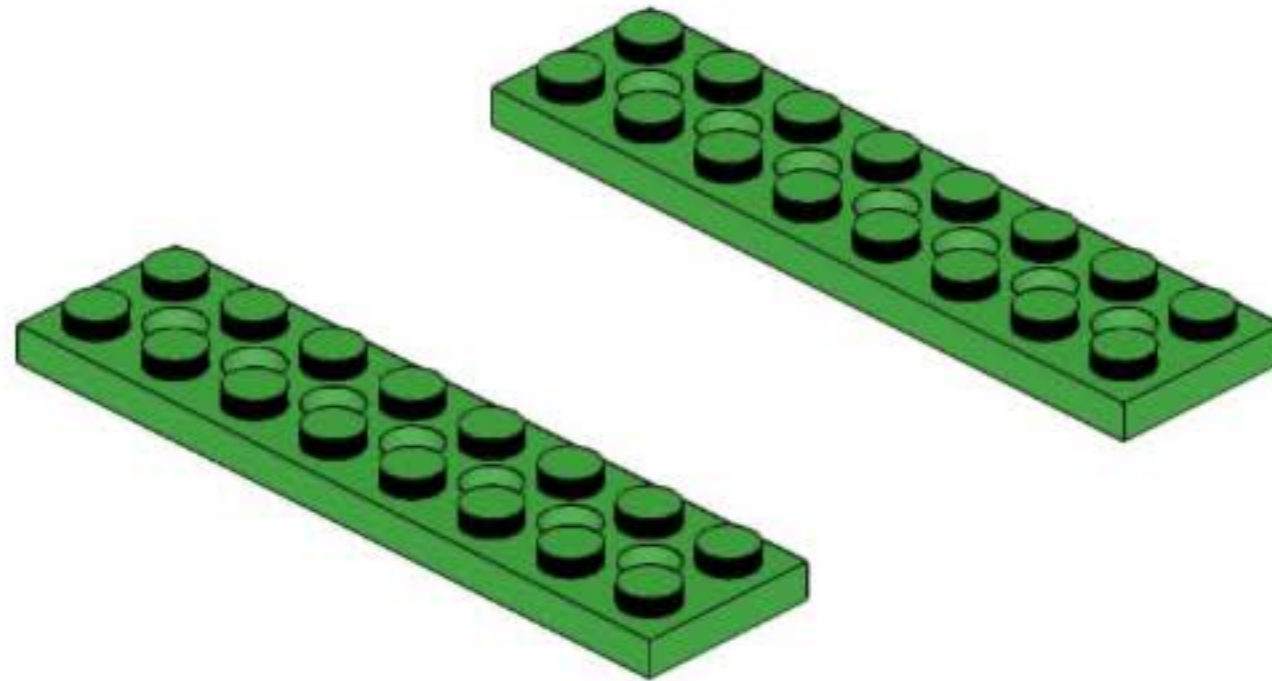
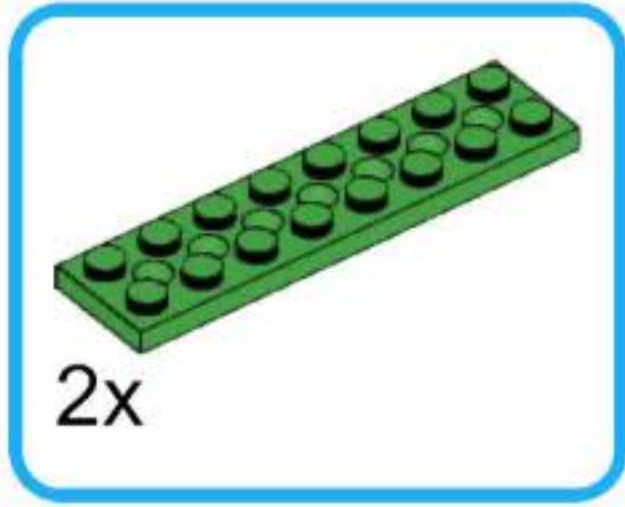


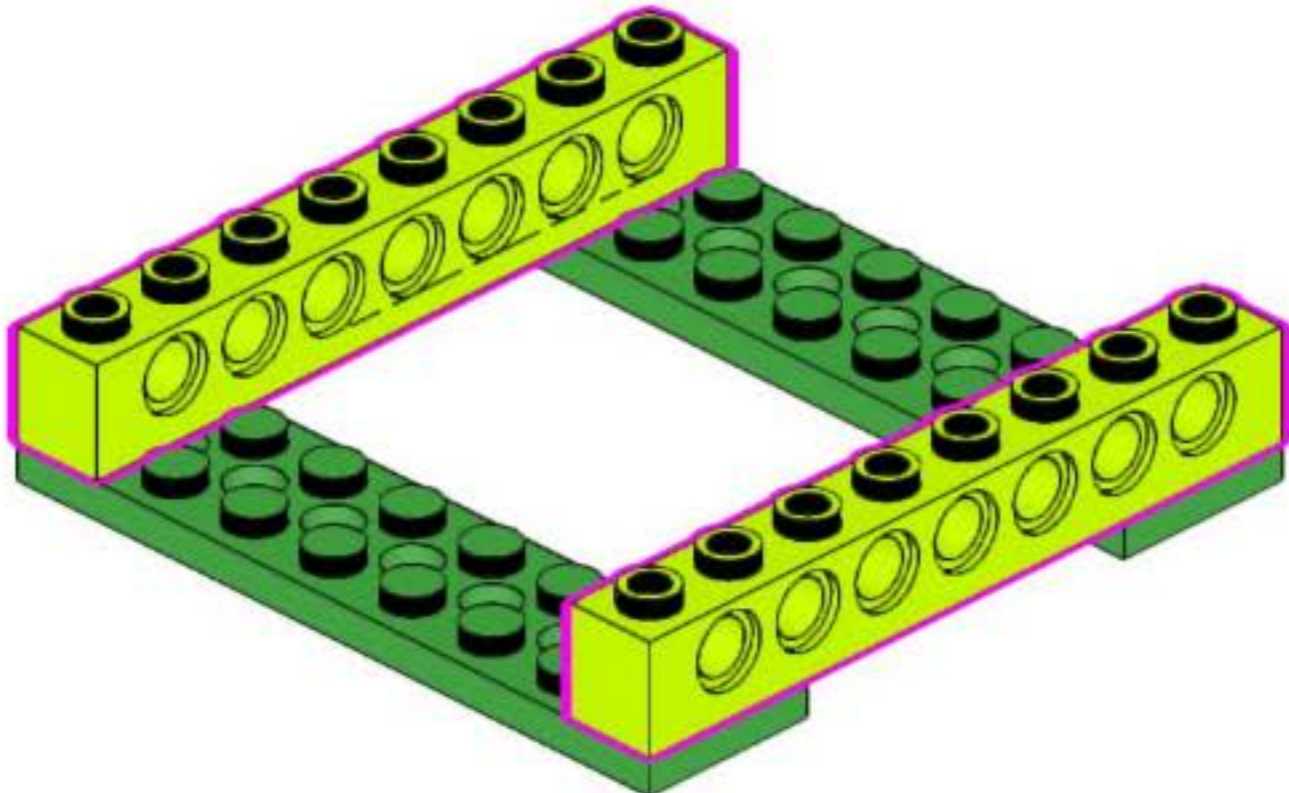
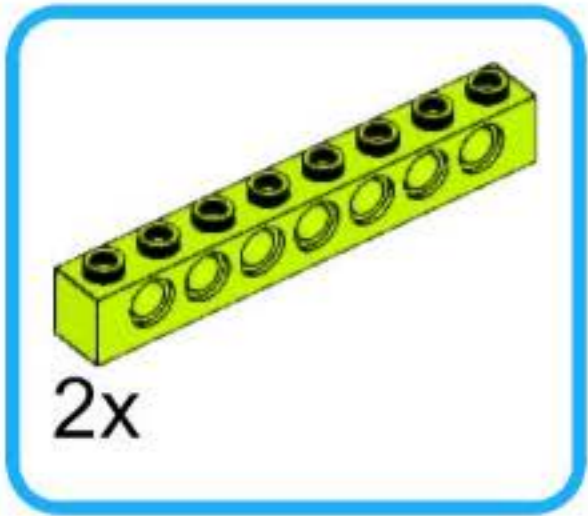
locator robot
unofficial building instruction

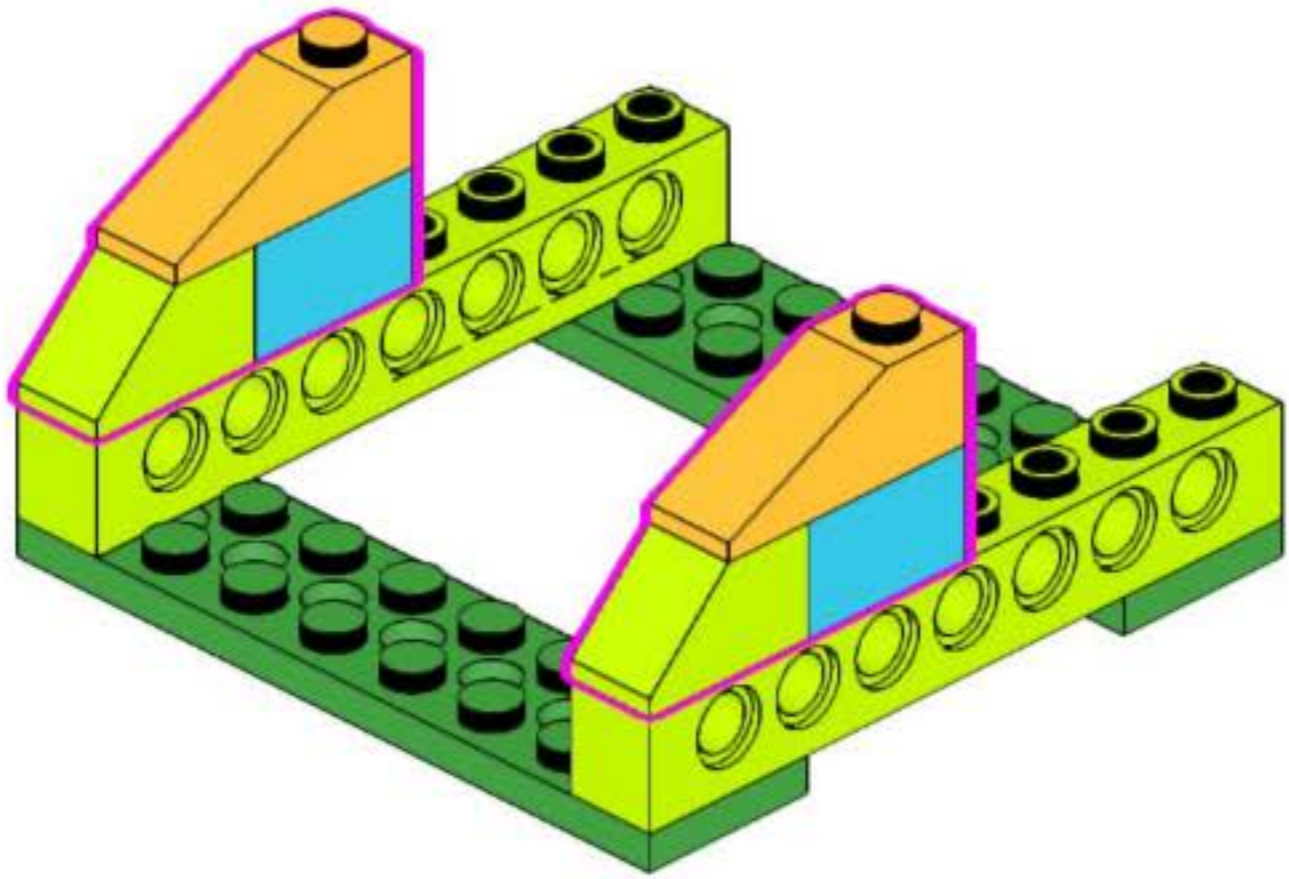
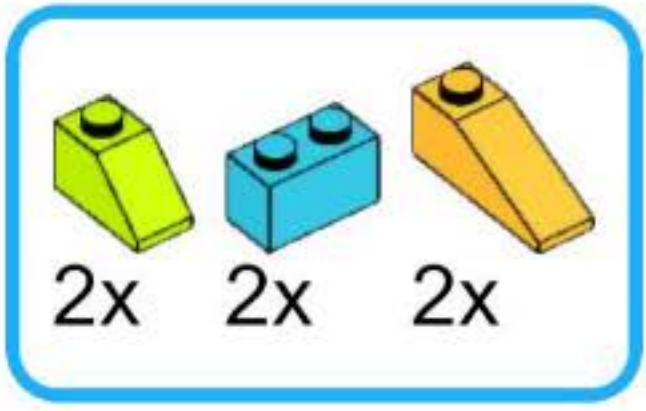


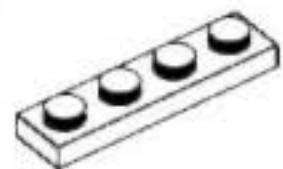
Locator

for Lego® WeDo 2.0
45300

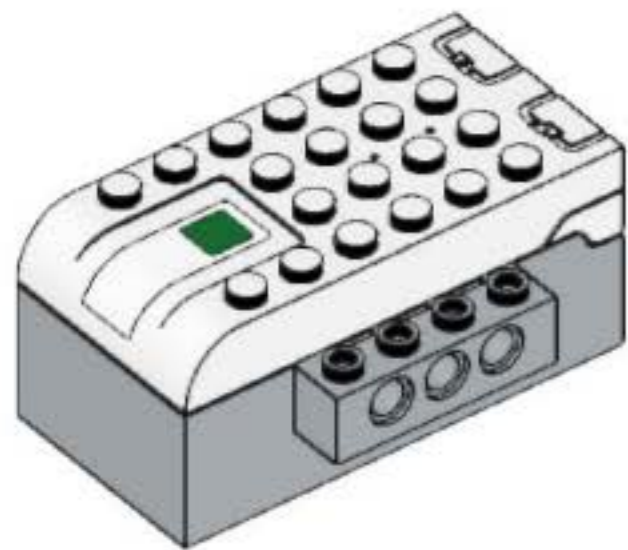




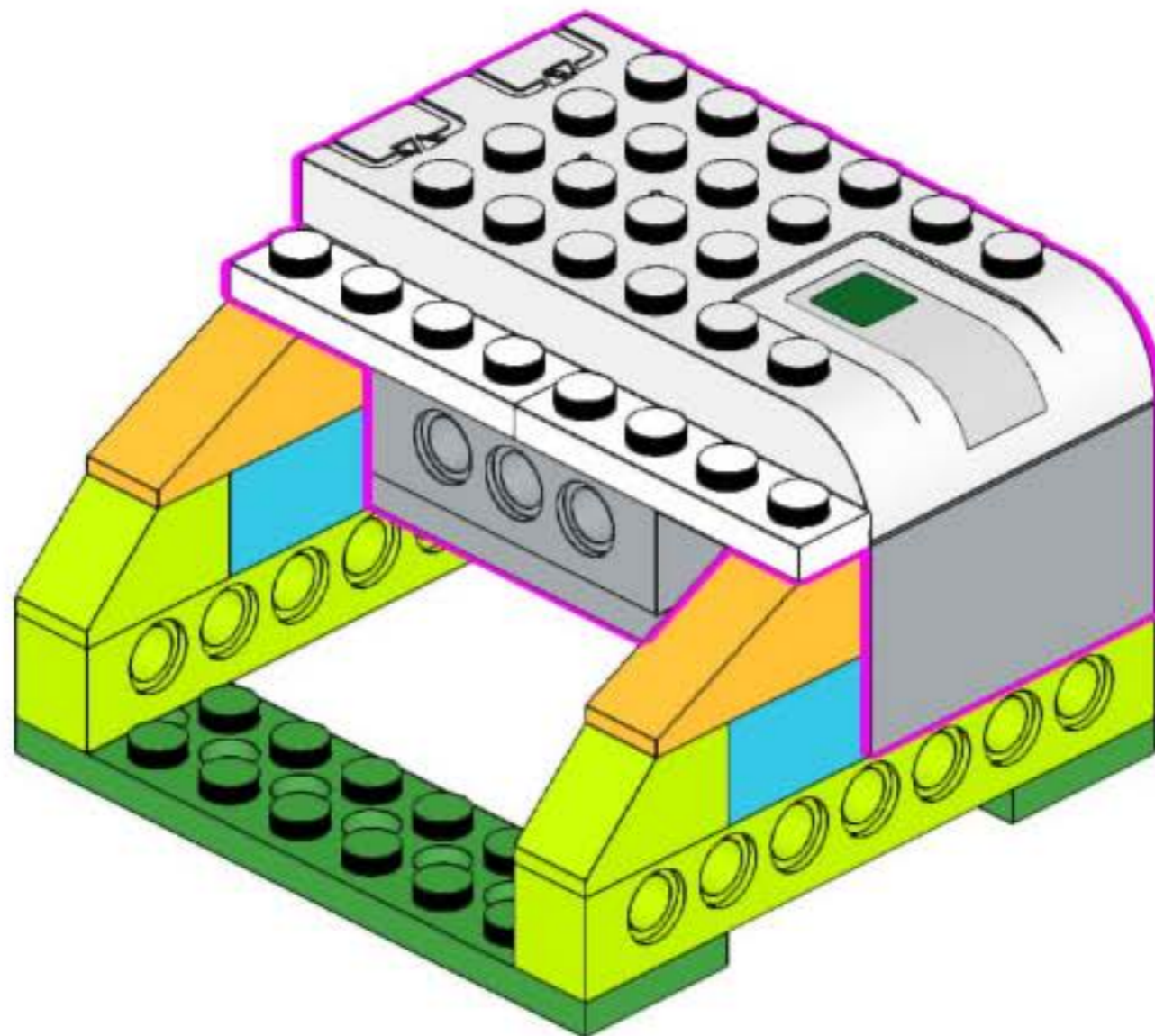


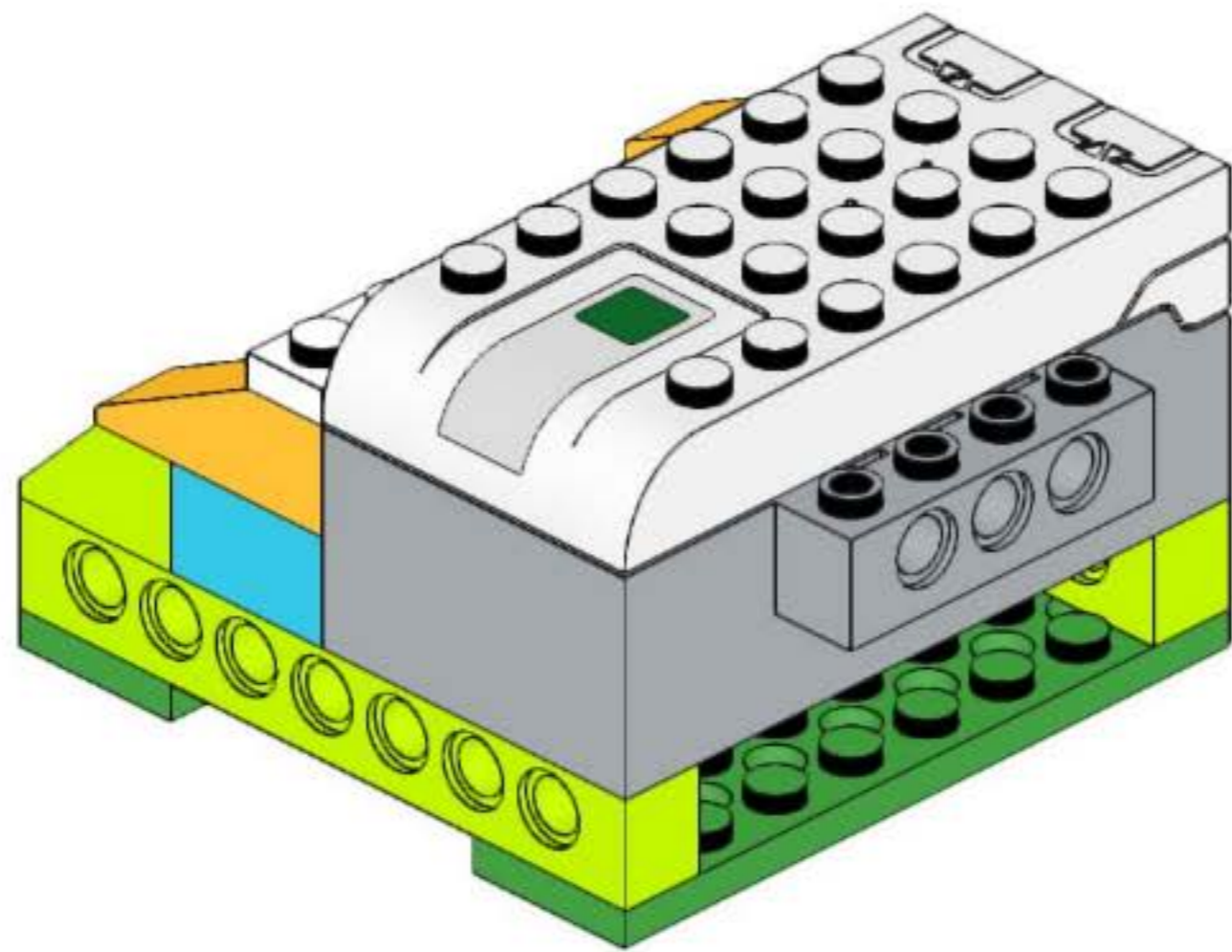


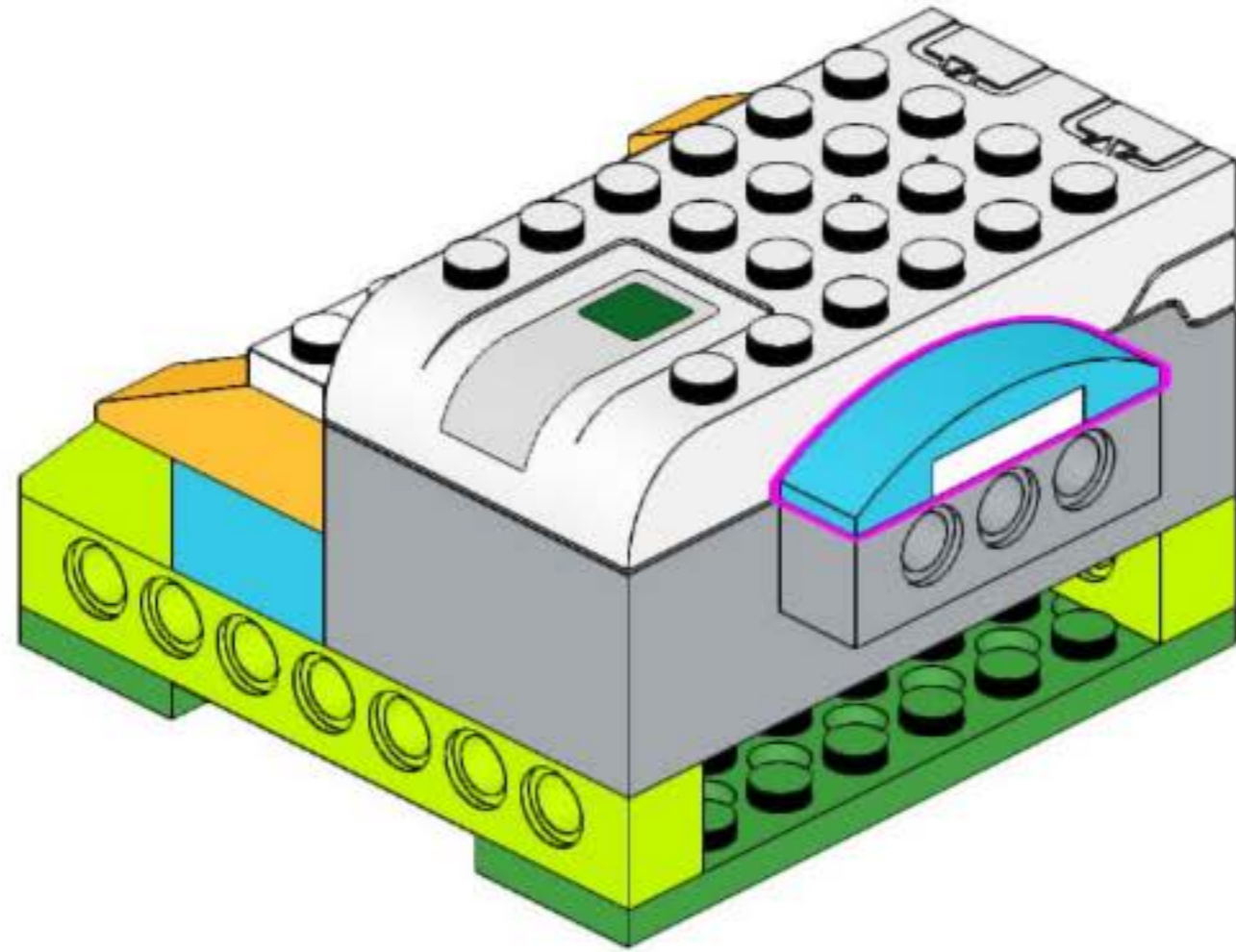
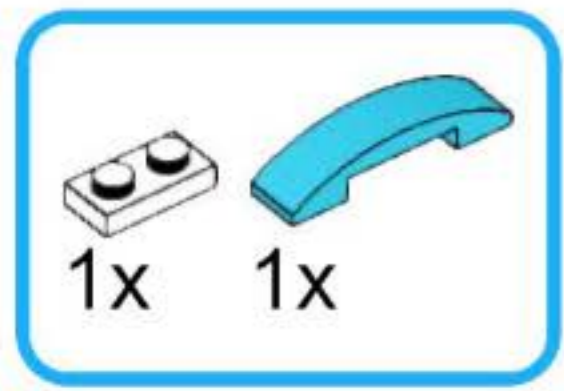
2x

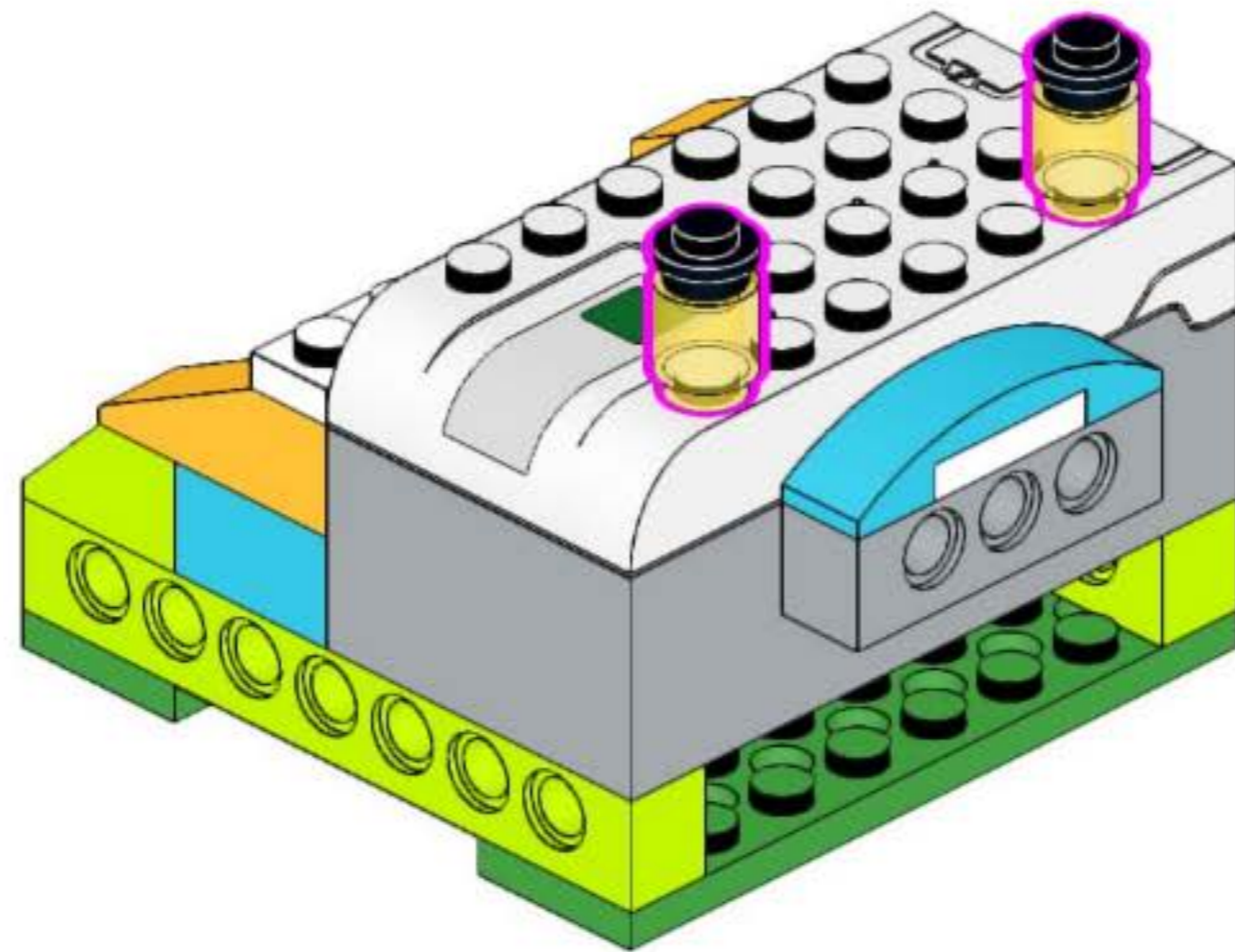


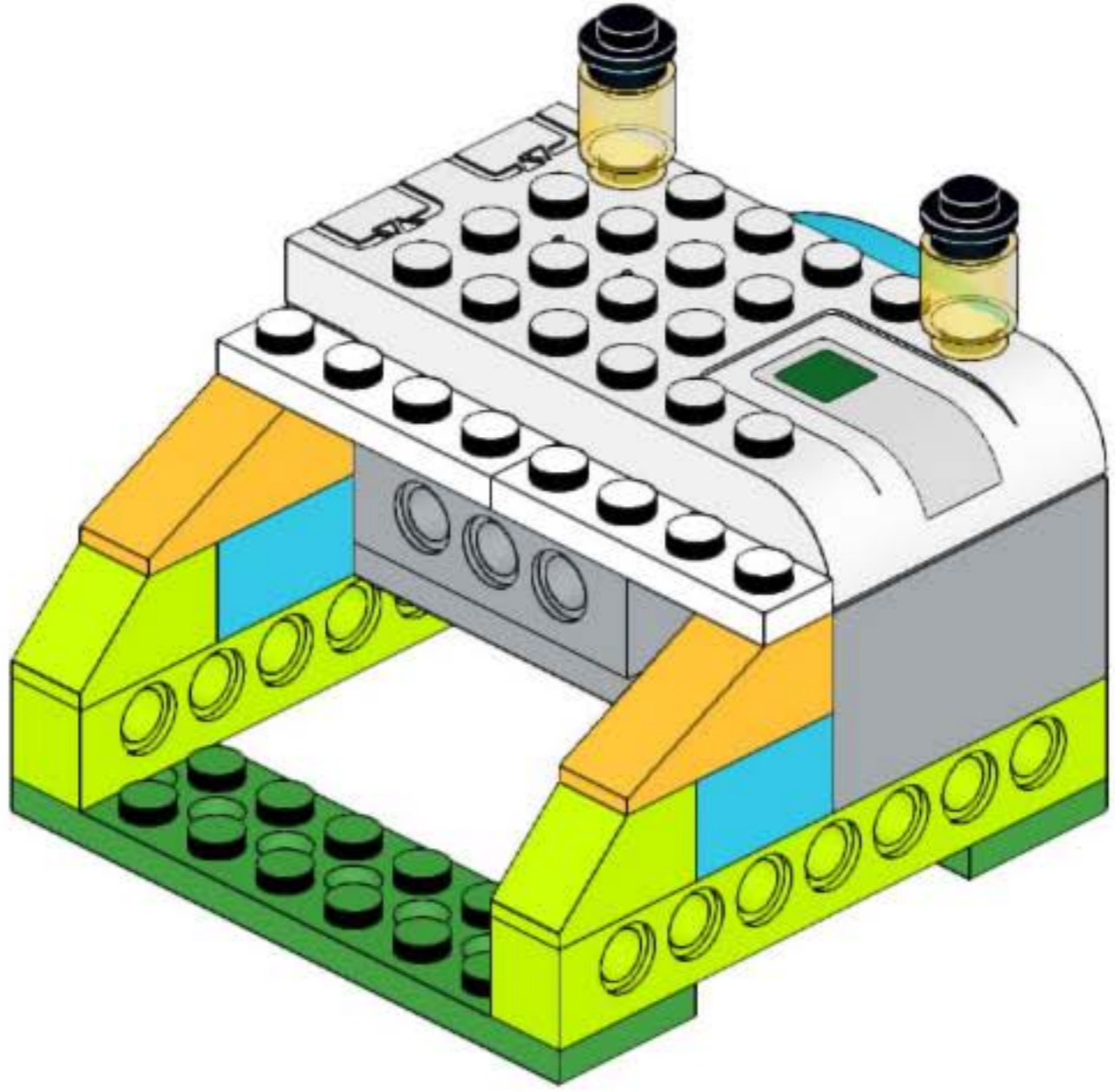
1x

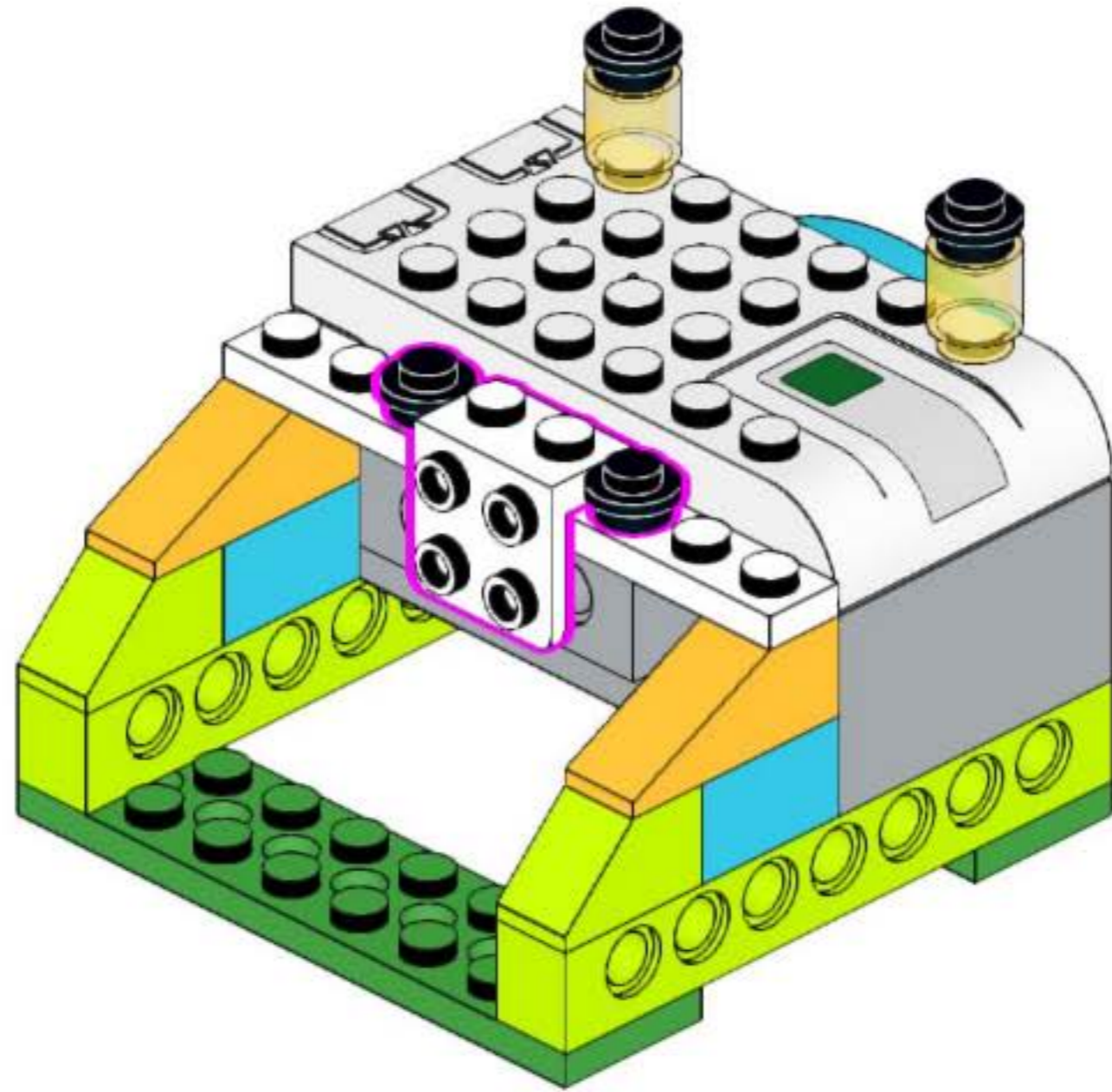
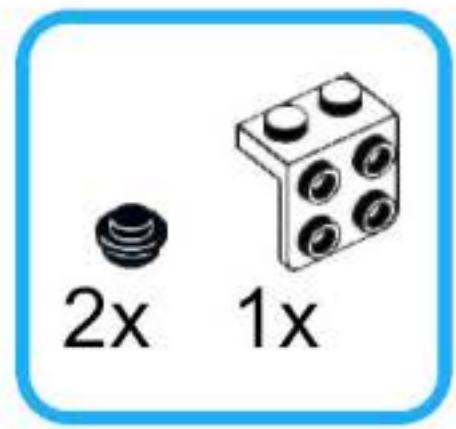


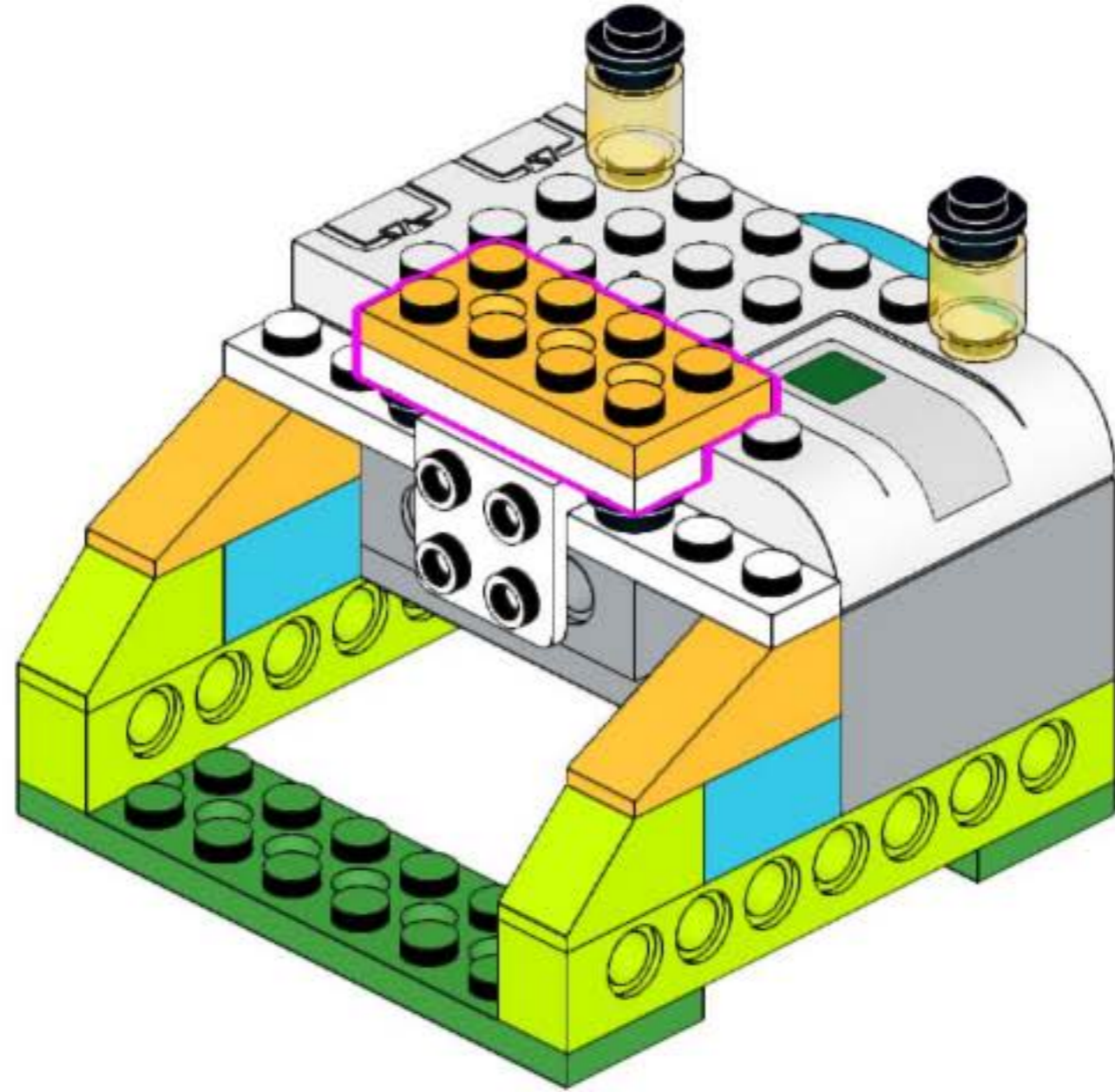
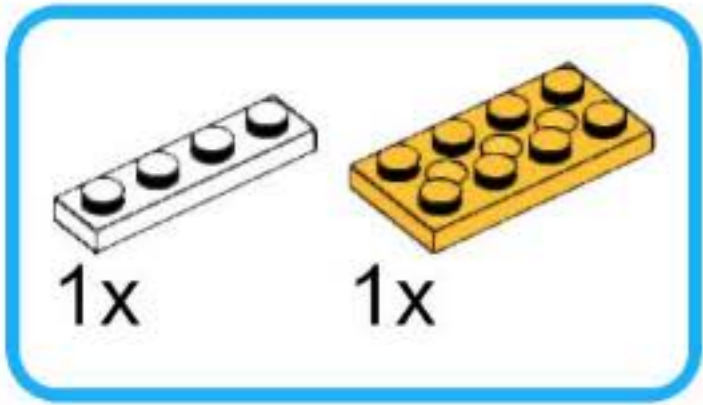


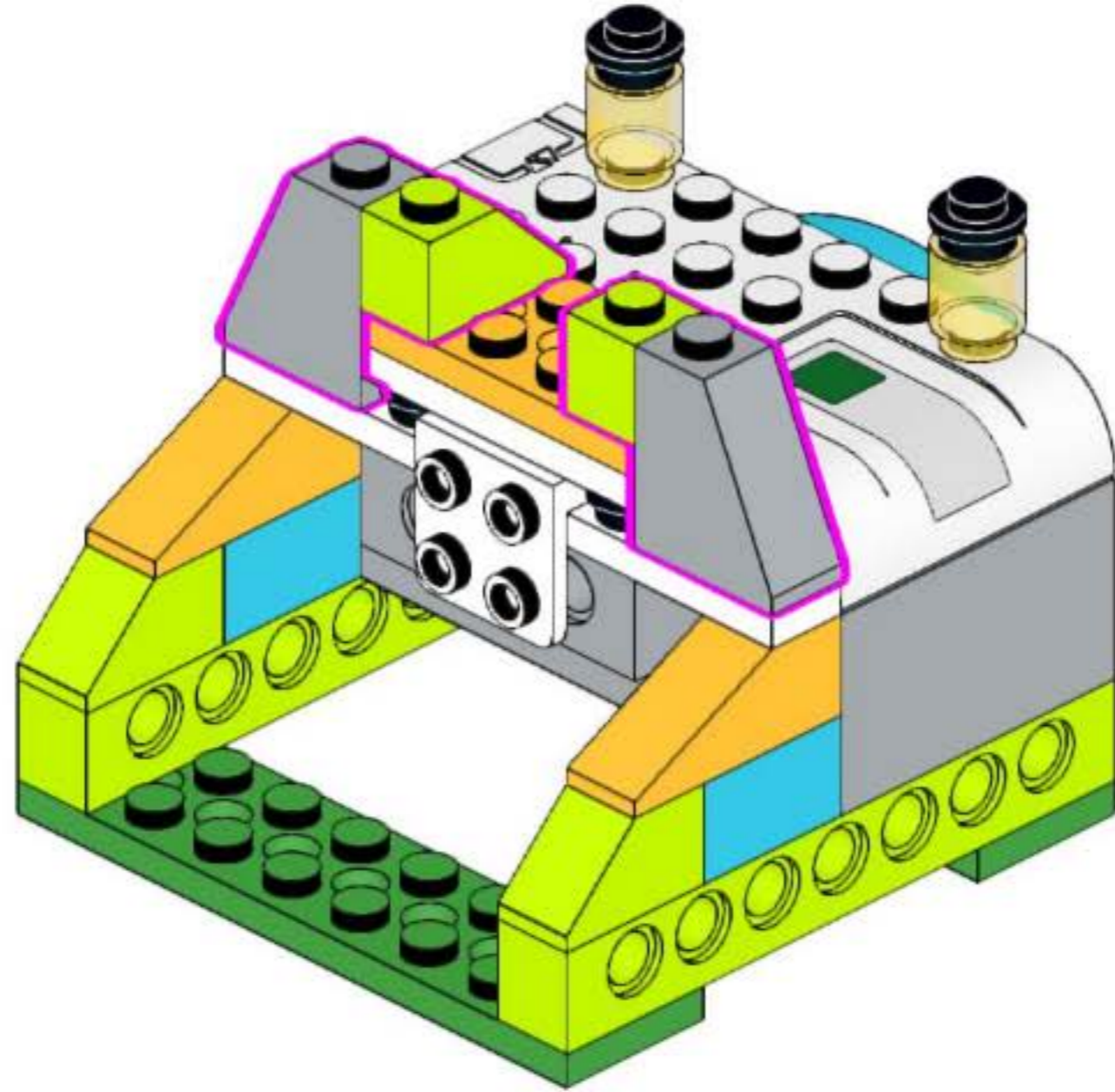
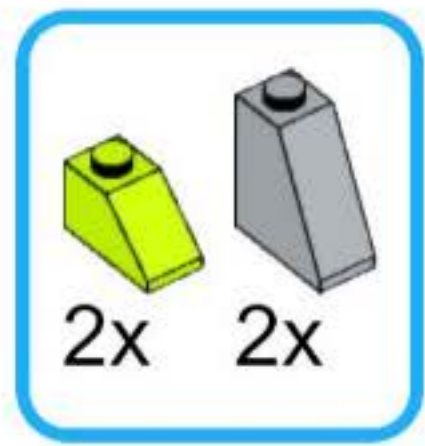


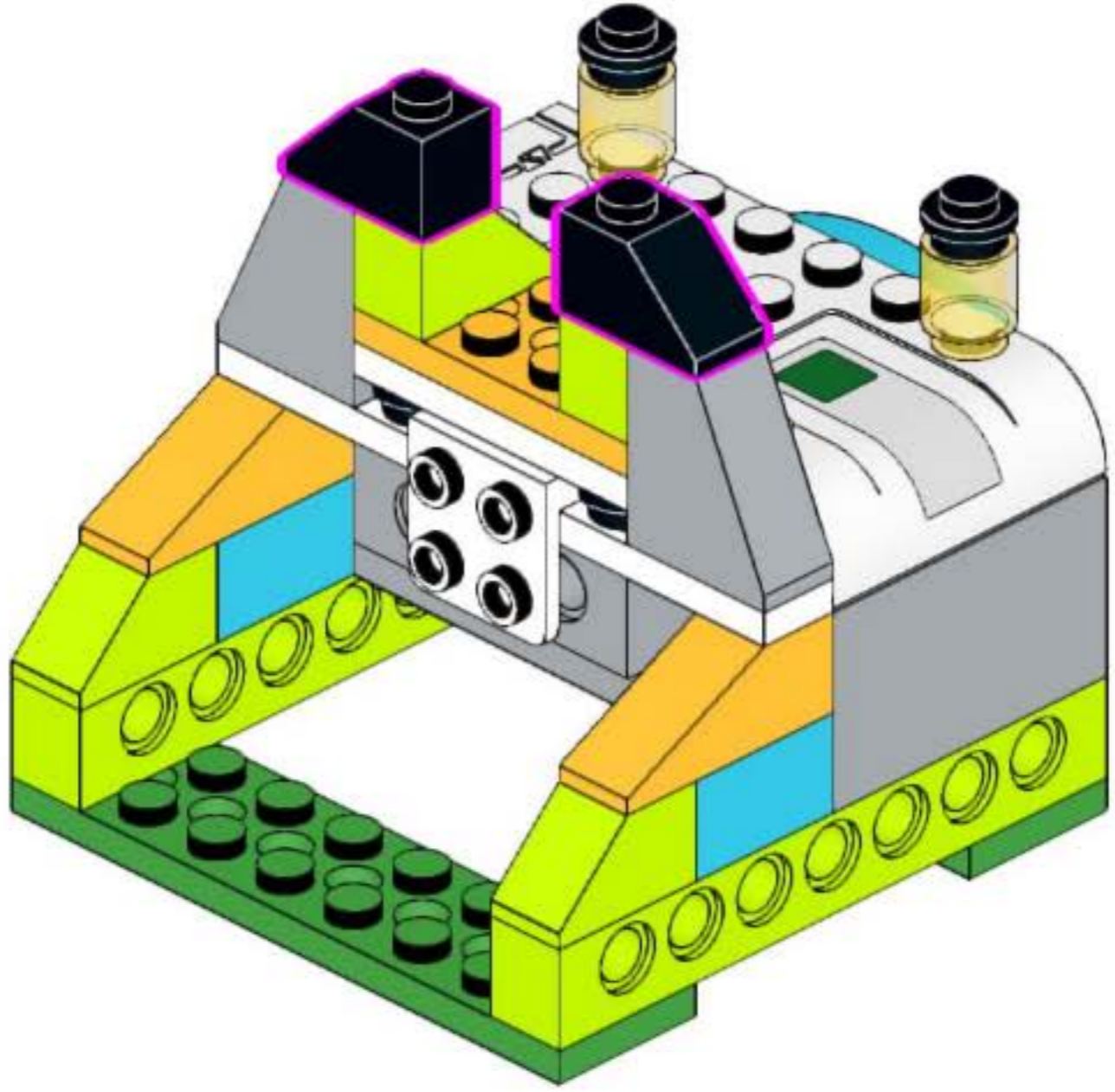


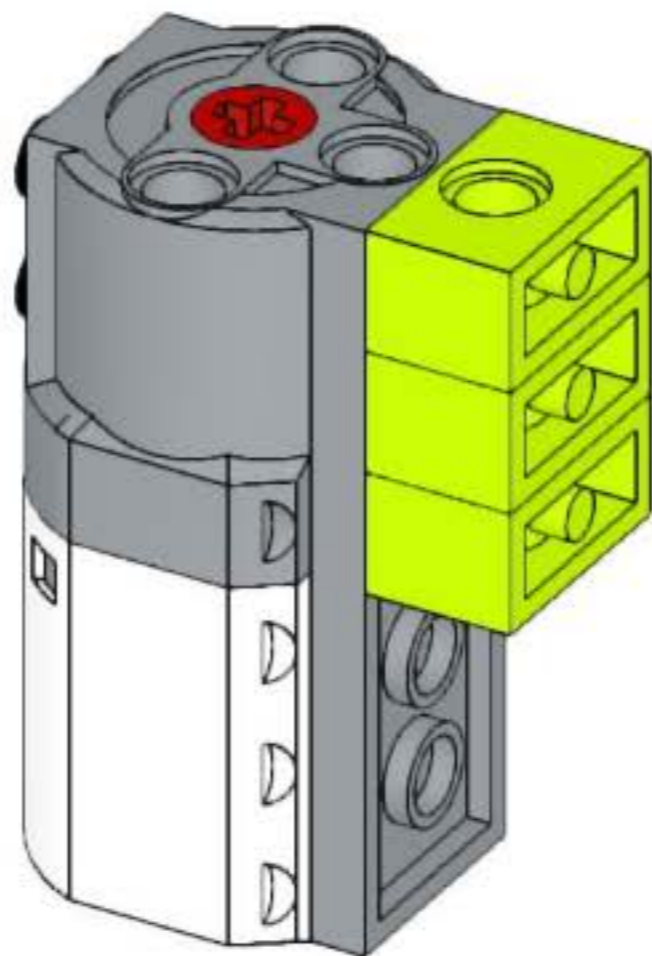
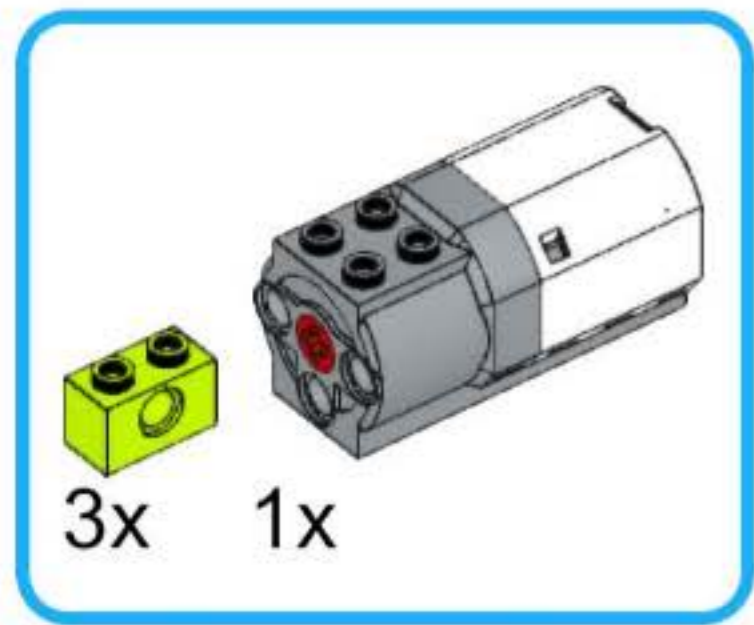


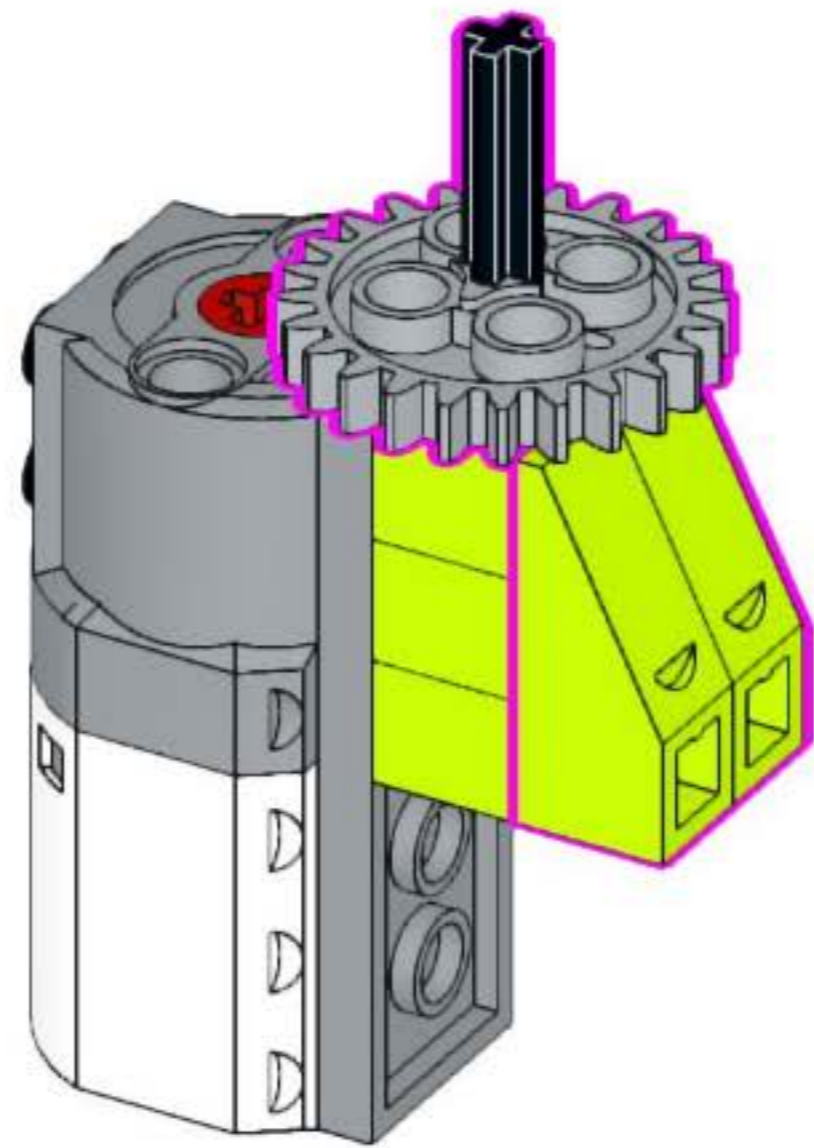
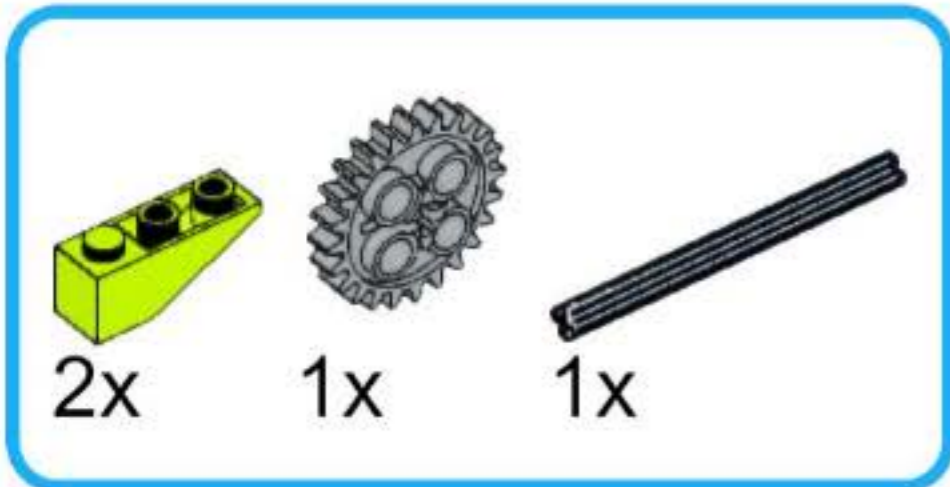




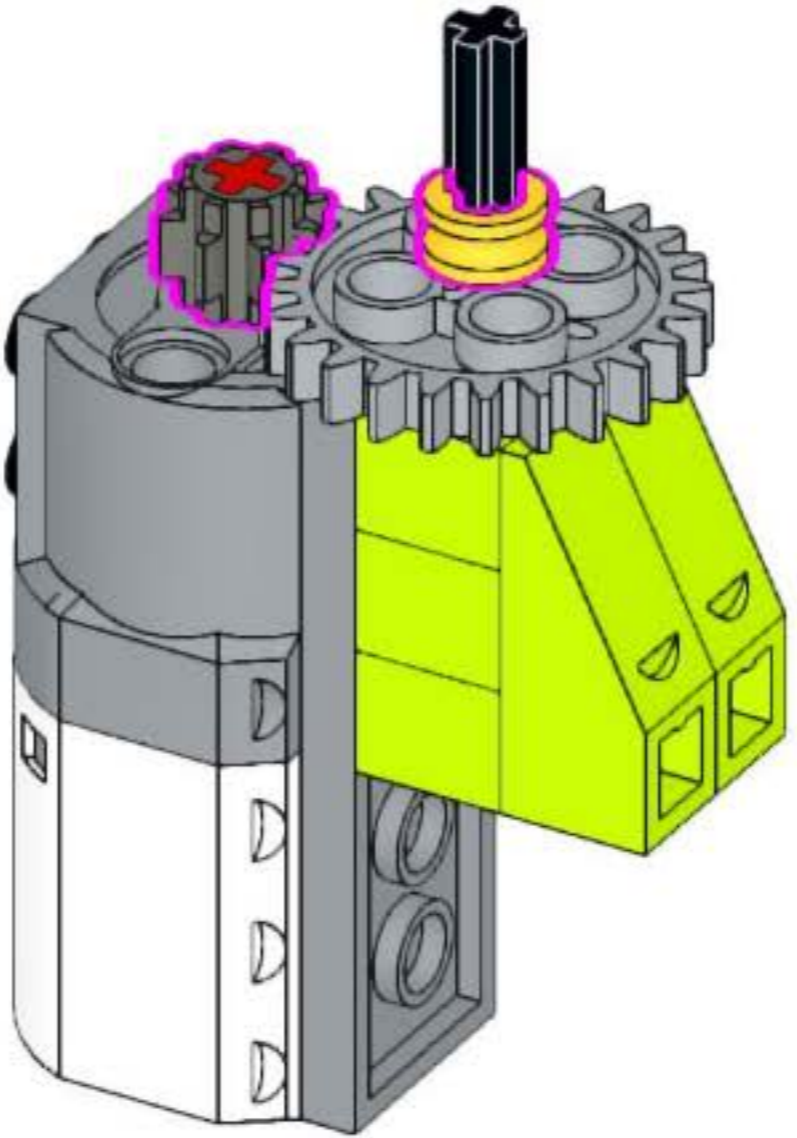


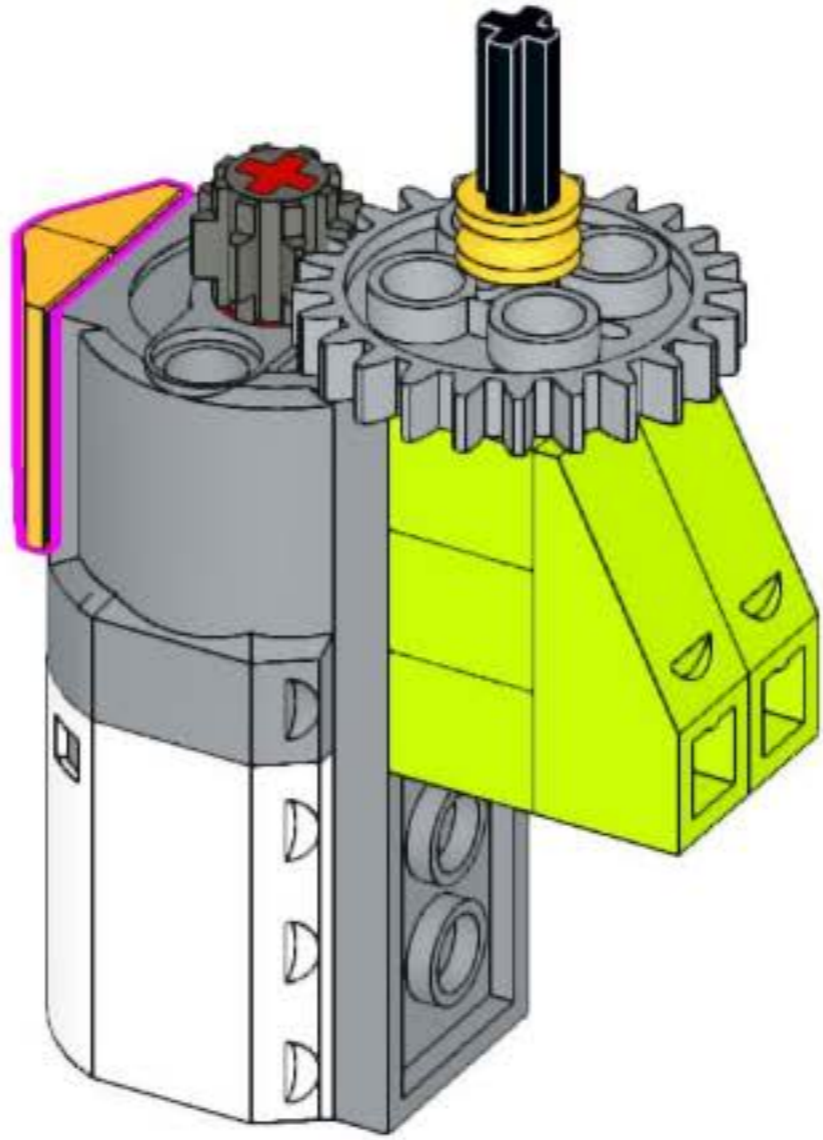
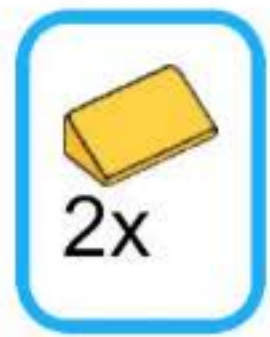


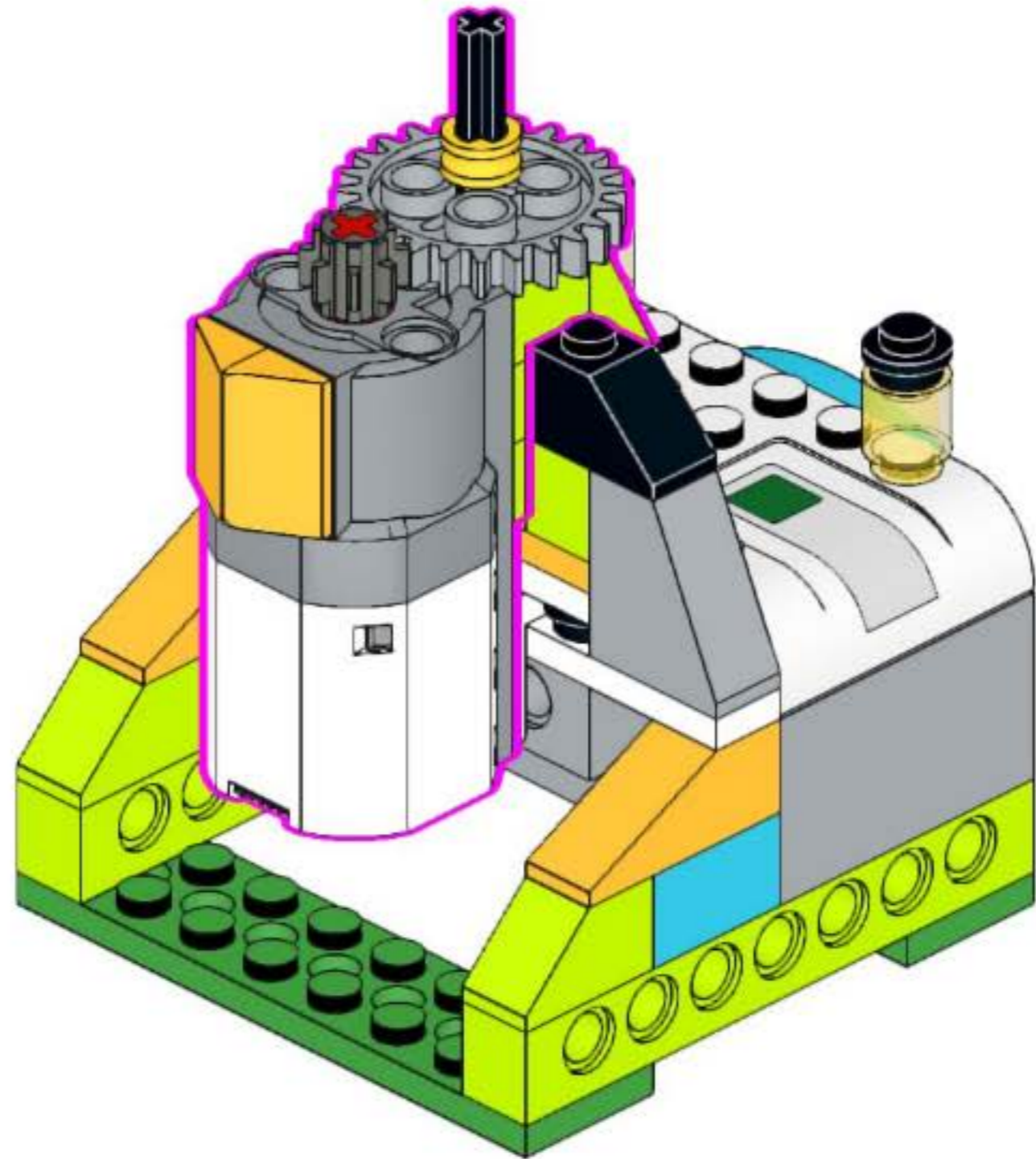


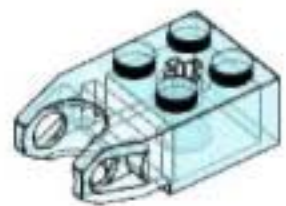


1x 1x 1x





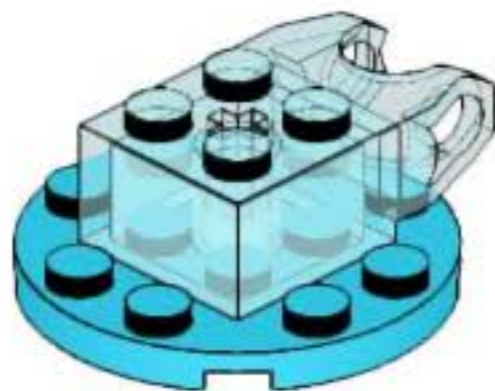


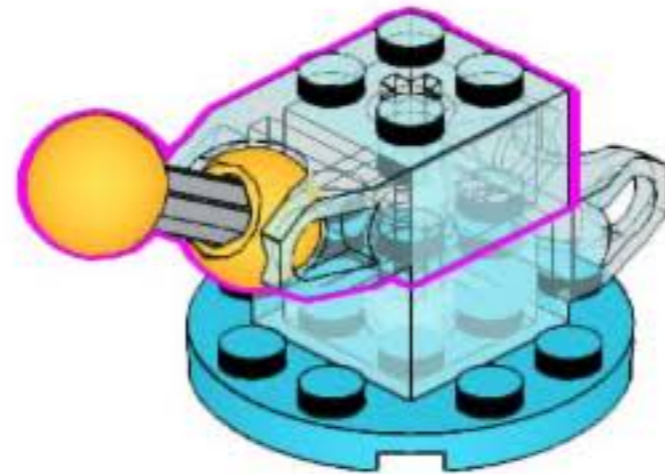
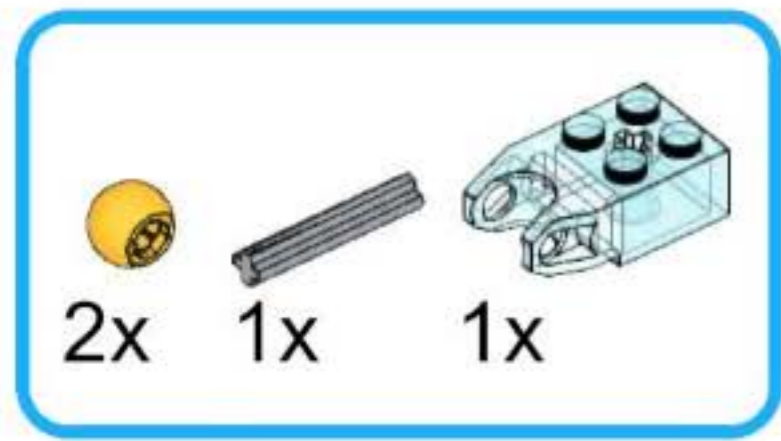


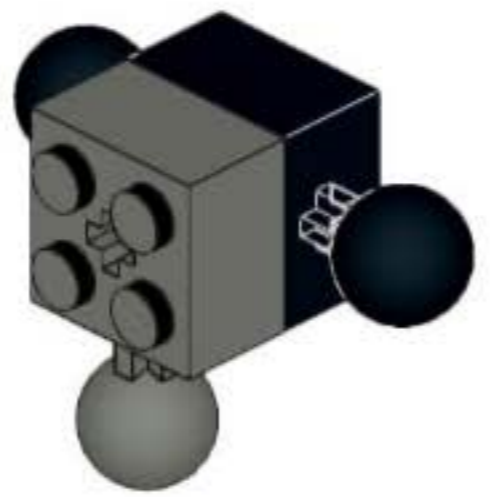
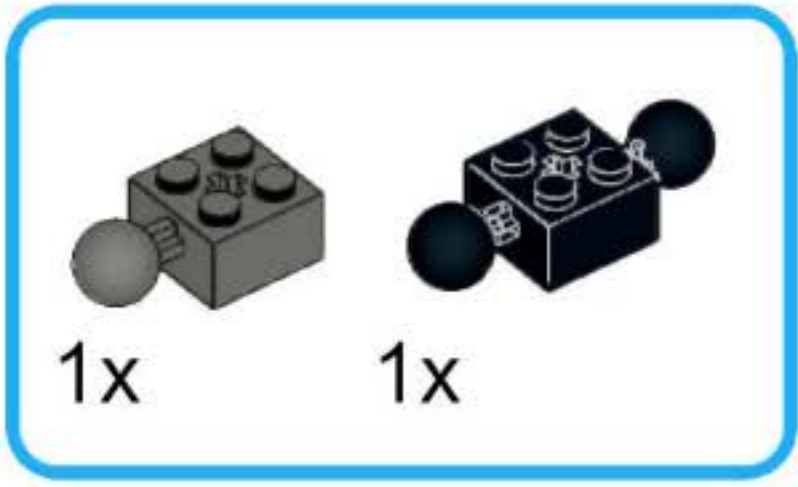
1x

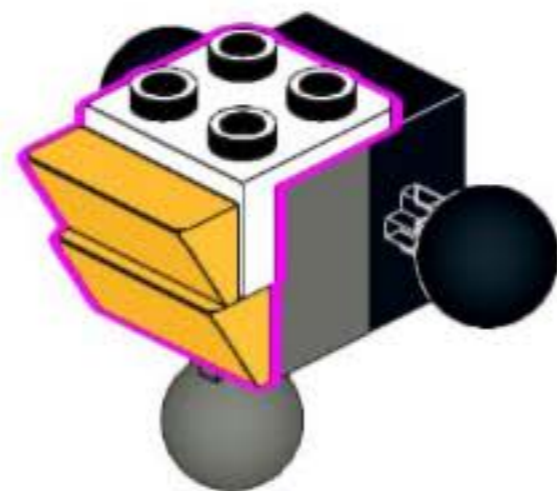
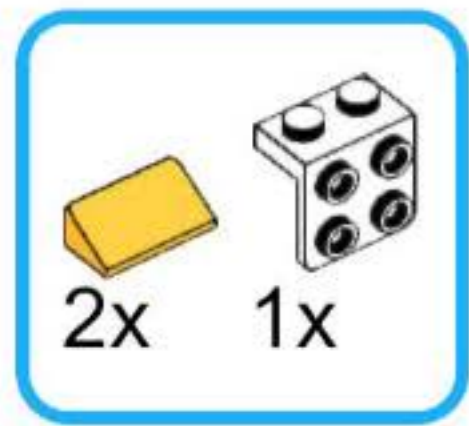


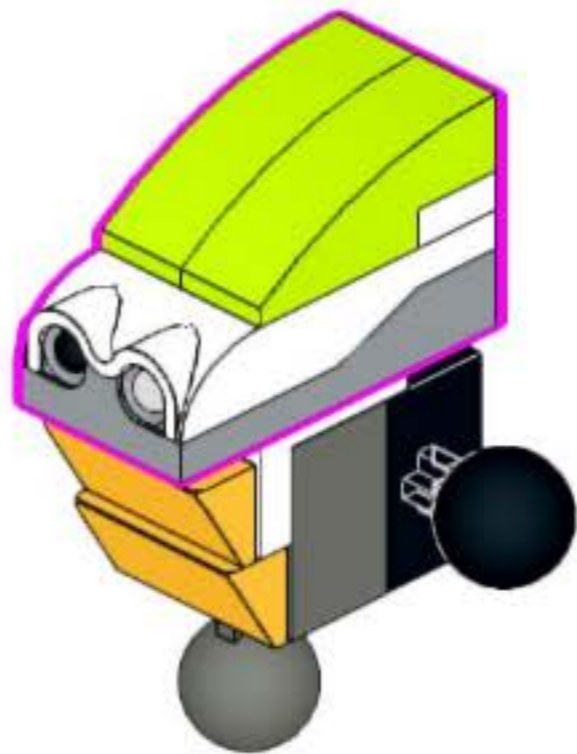
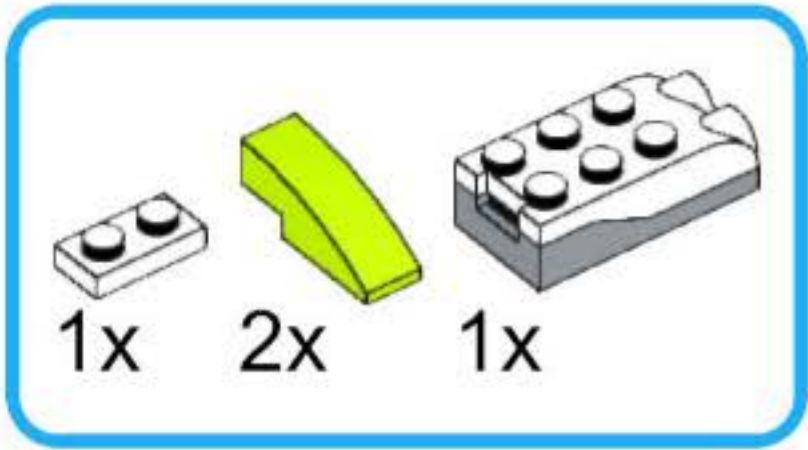
1x

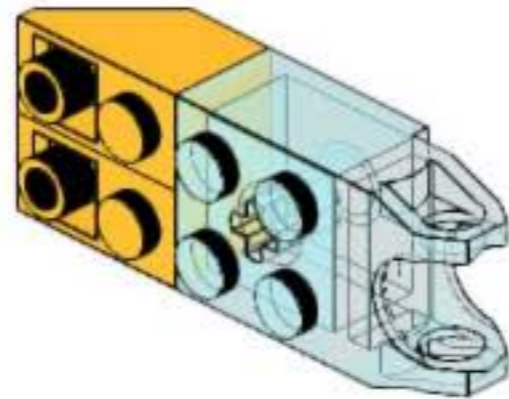
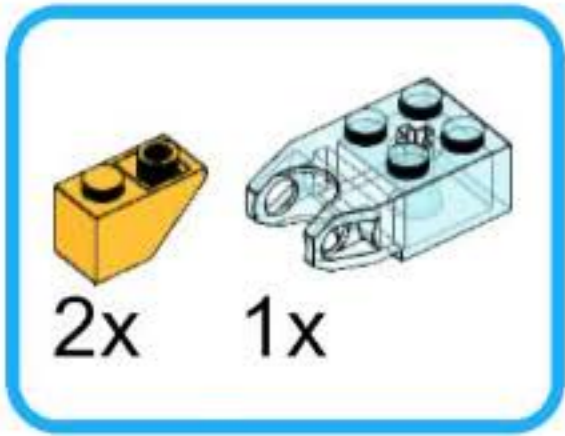


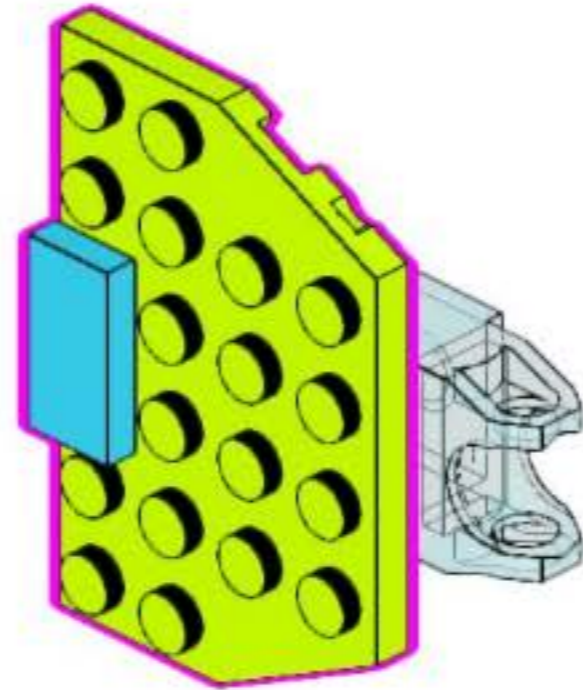
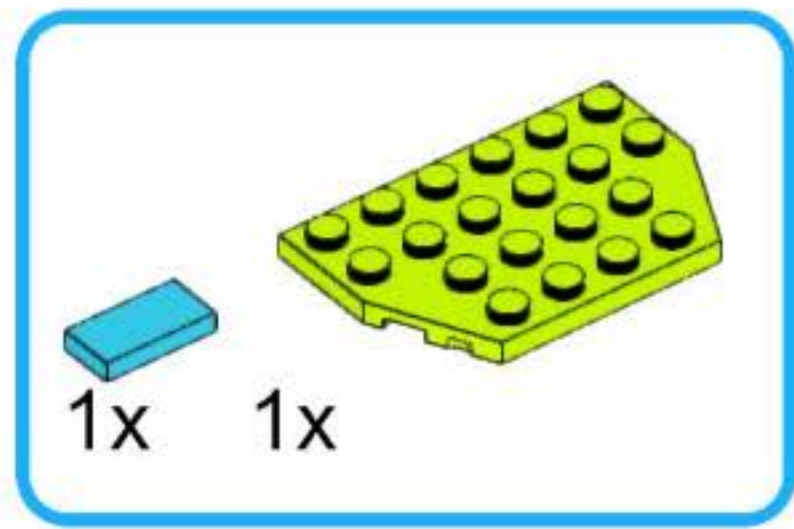


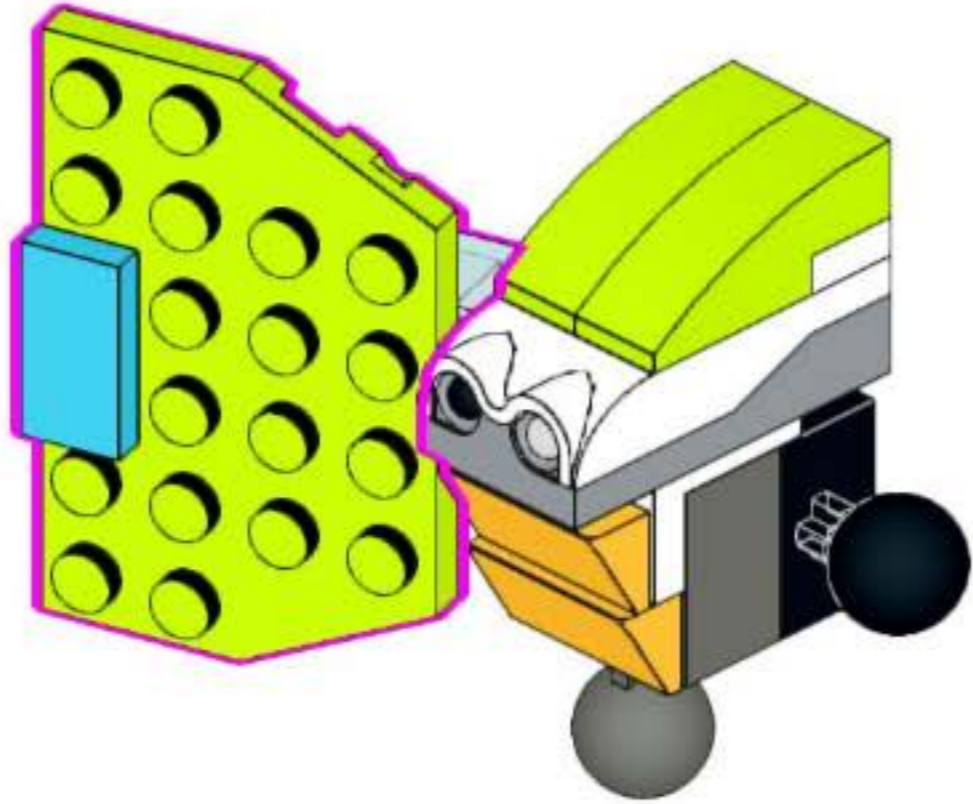


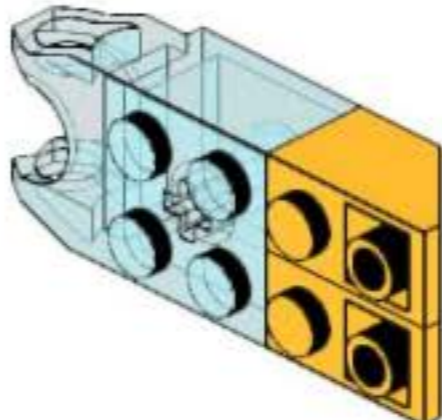
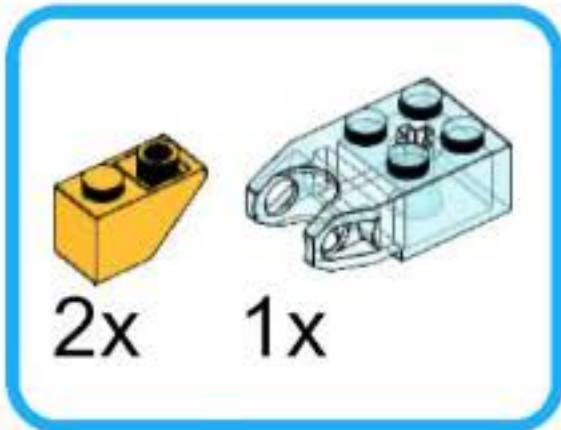


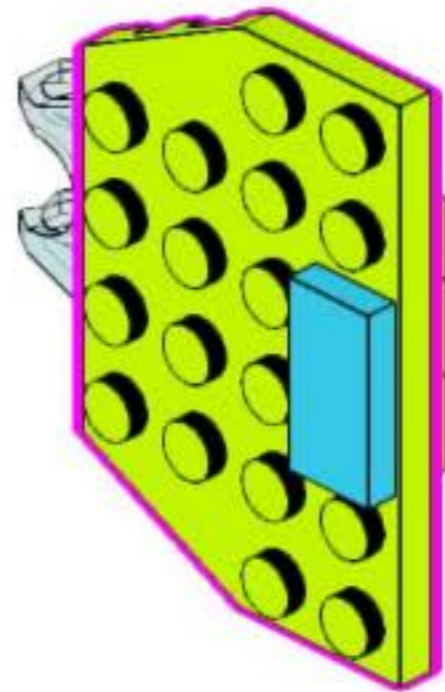
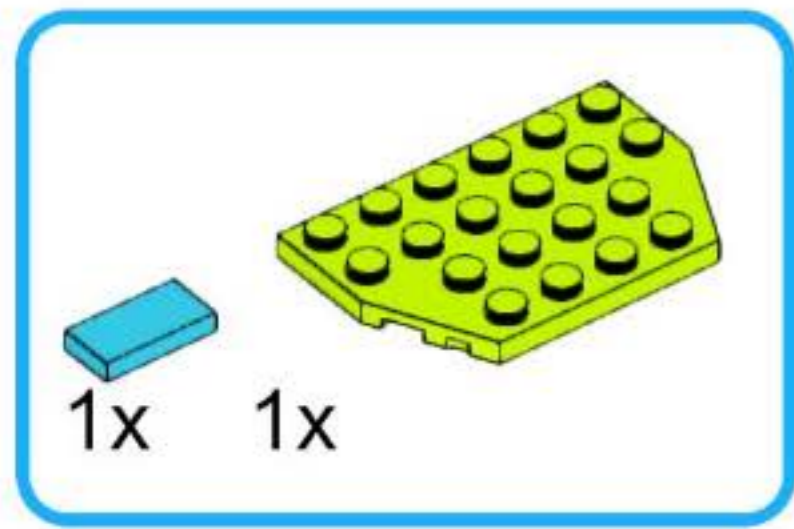


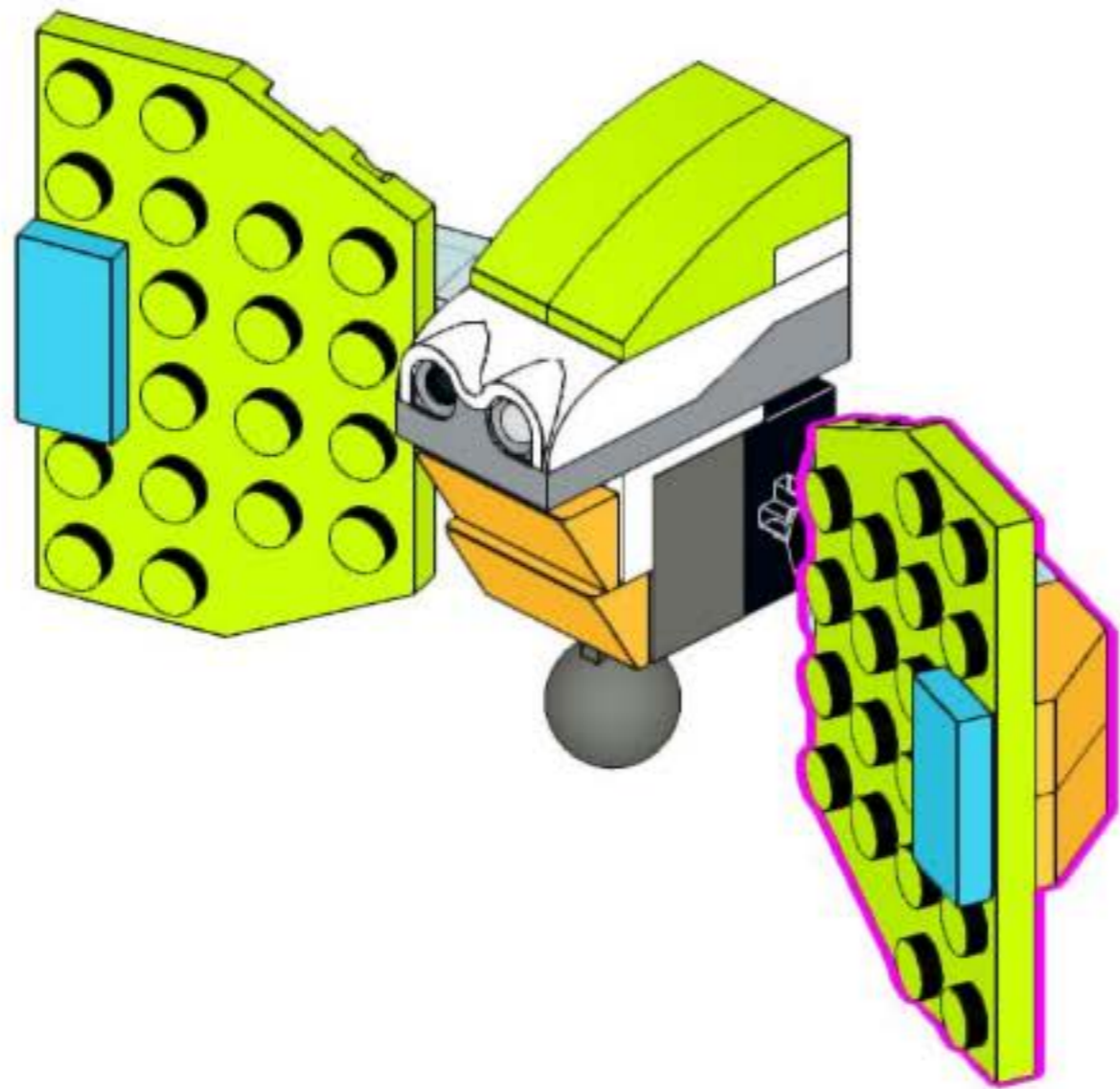


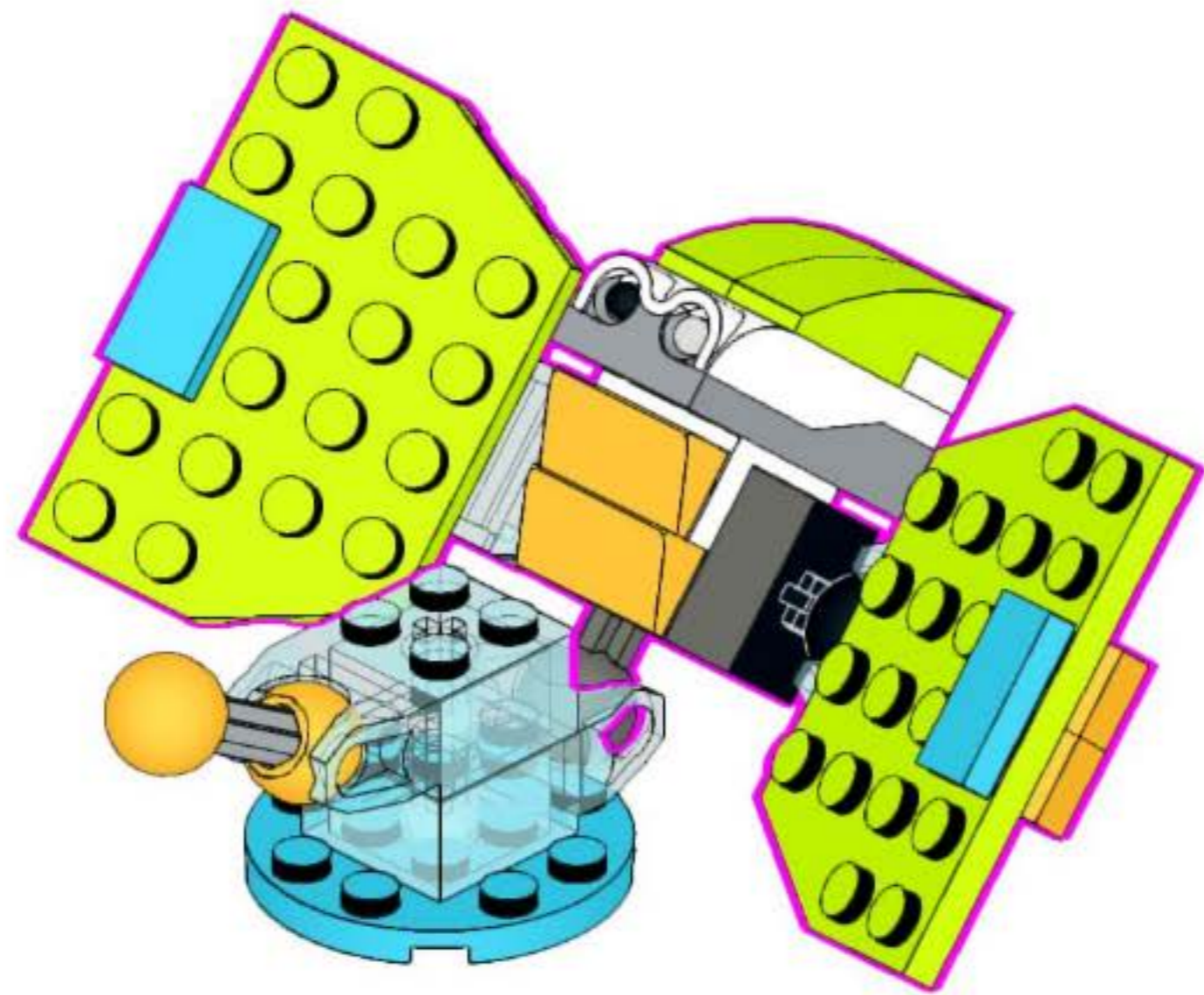


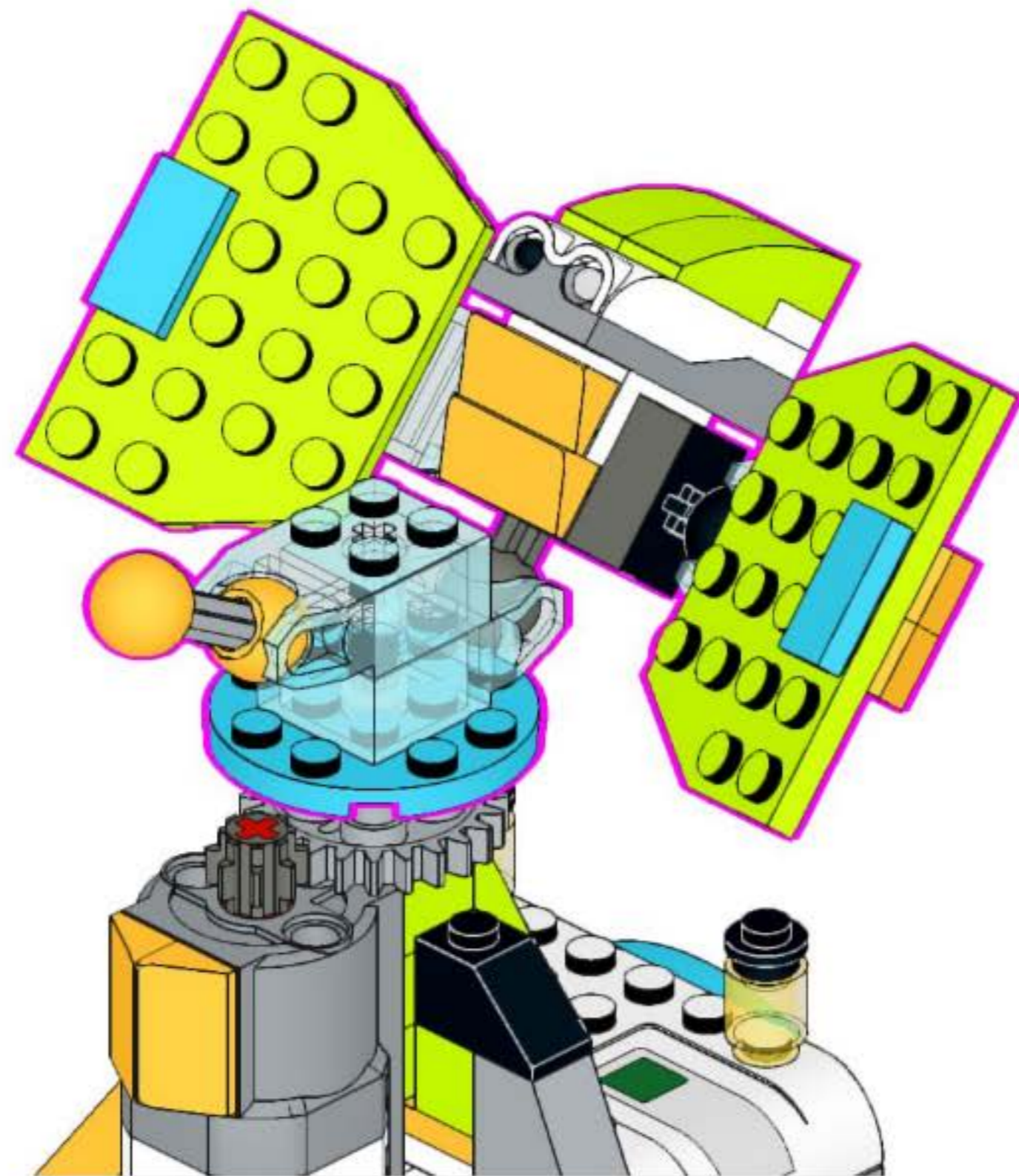


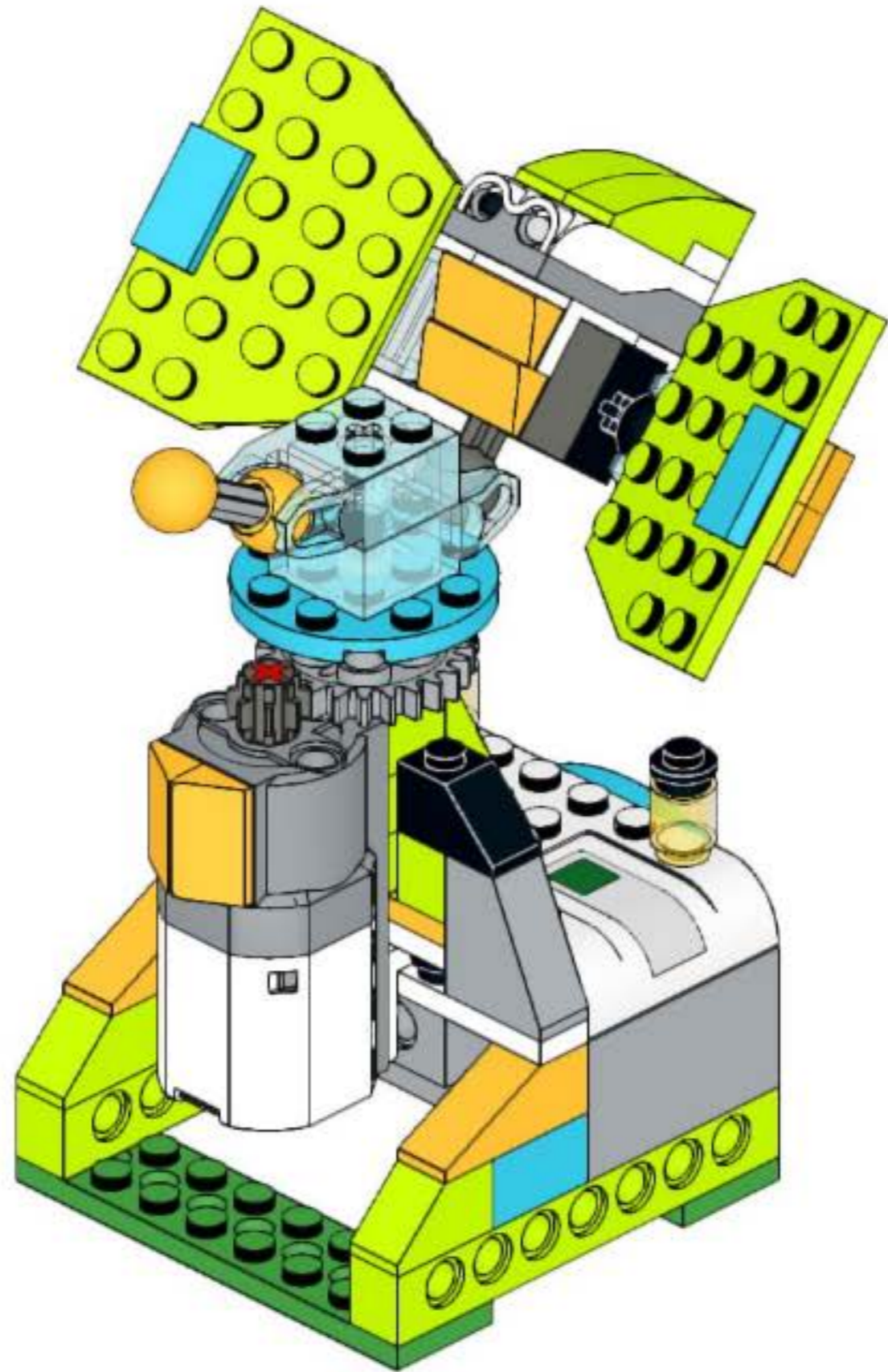












Task 1

Draw on paper and cut out a small plane. With the help of this aircraft, we will check the operation of the radar.

Task 2

Write a program that turns the radar to the left, then to the right.



Task 3

Write a program that tracks whether a certain plane has flown and, if anything, turns on the siren.

