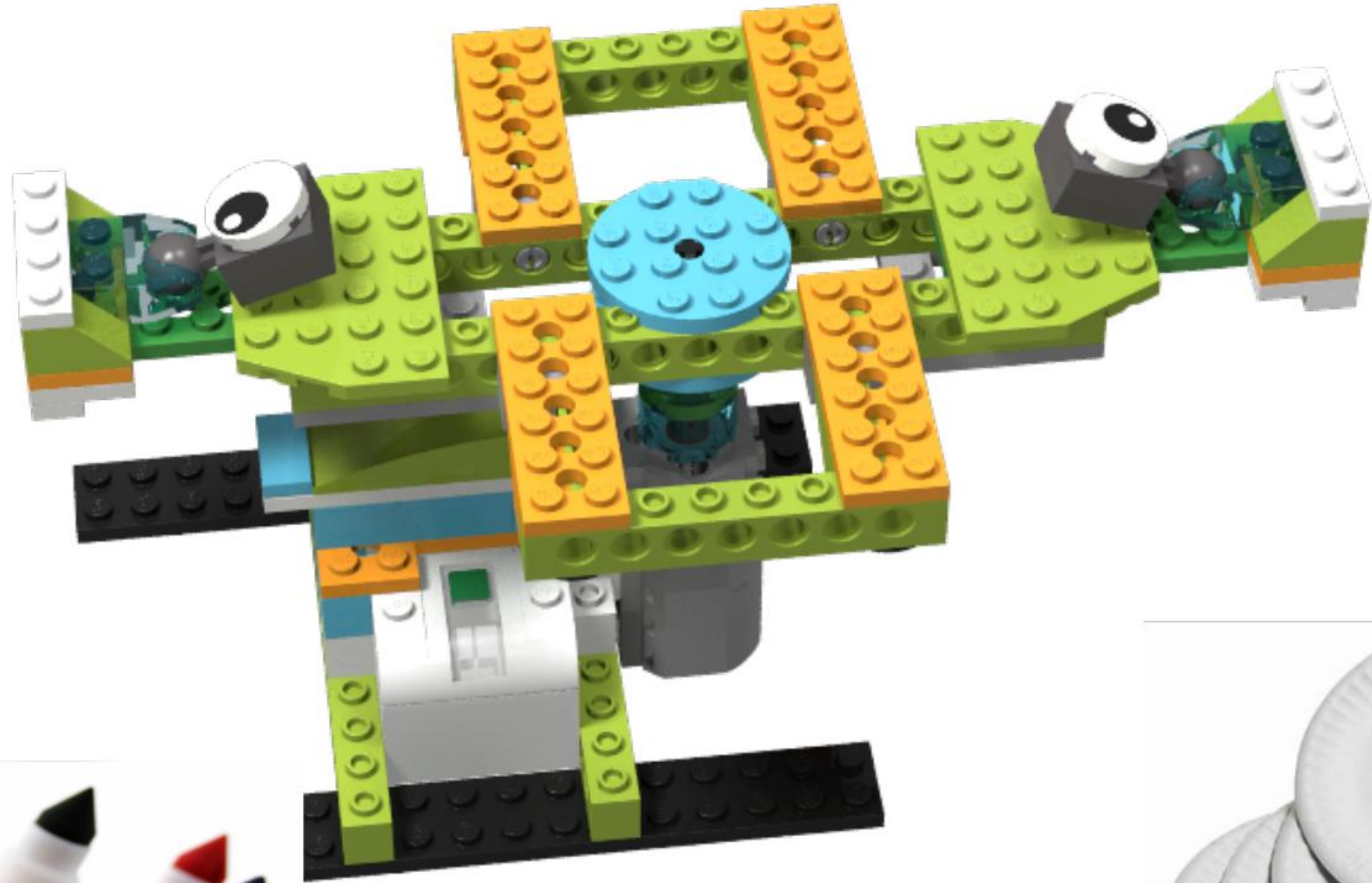
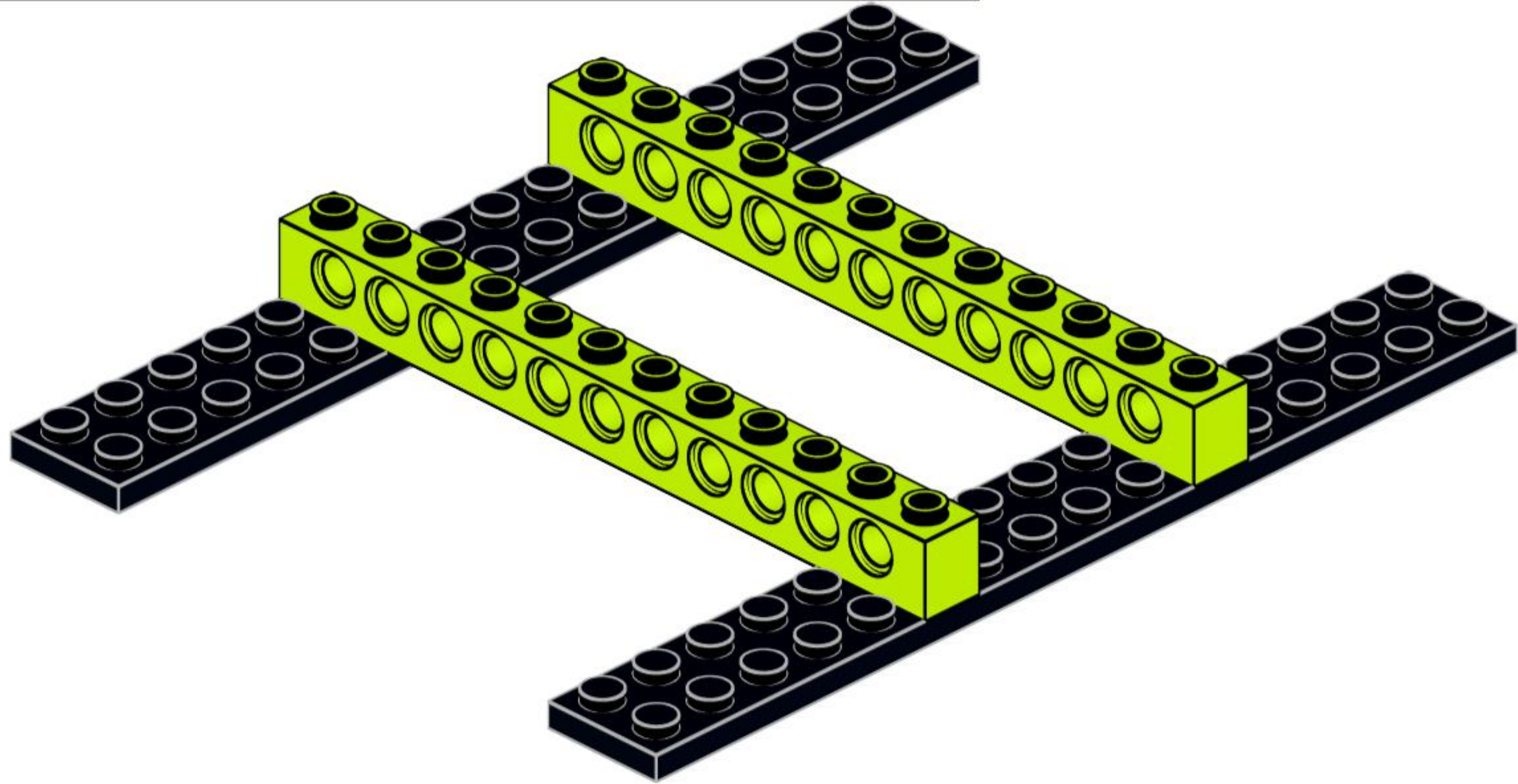
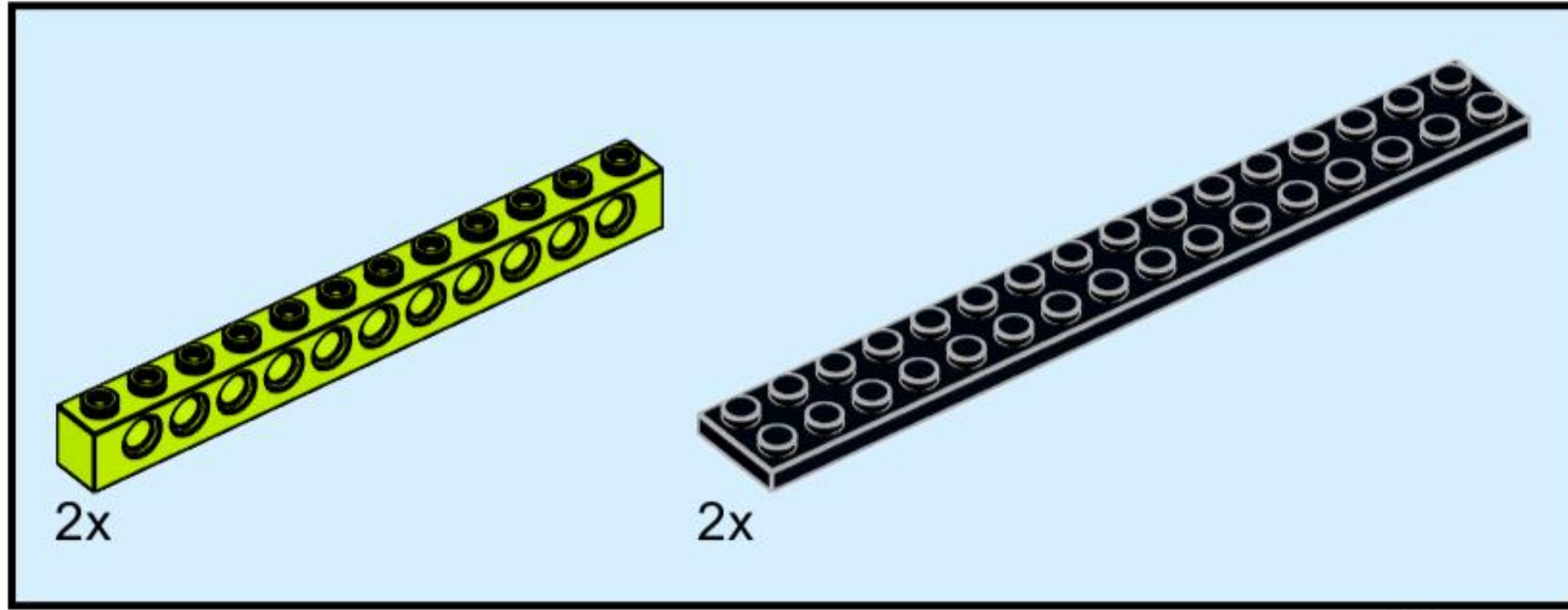


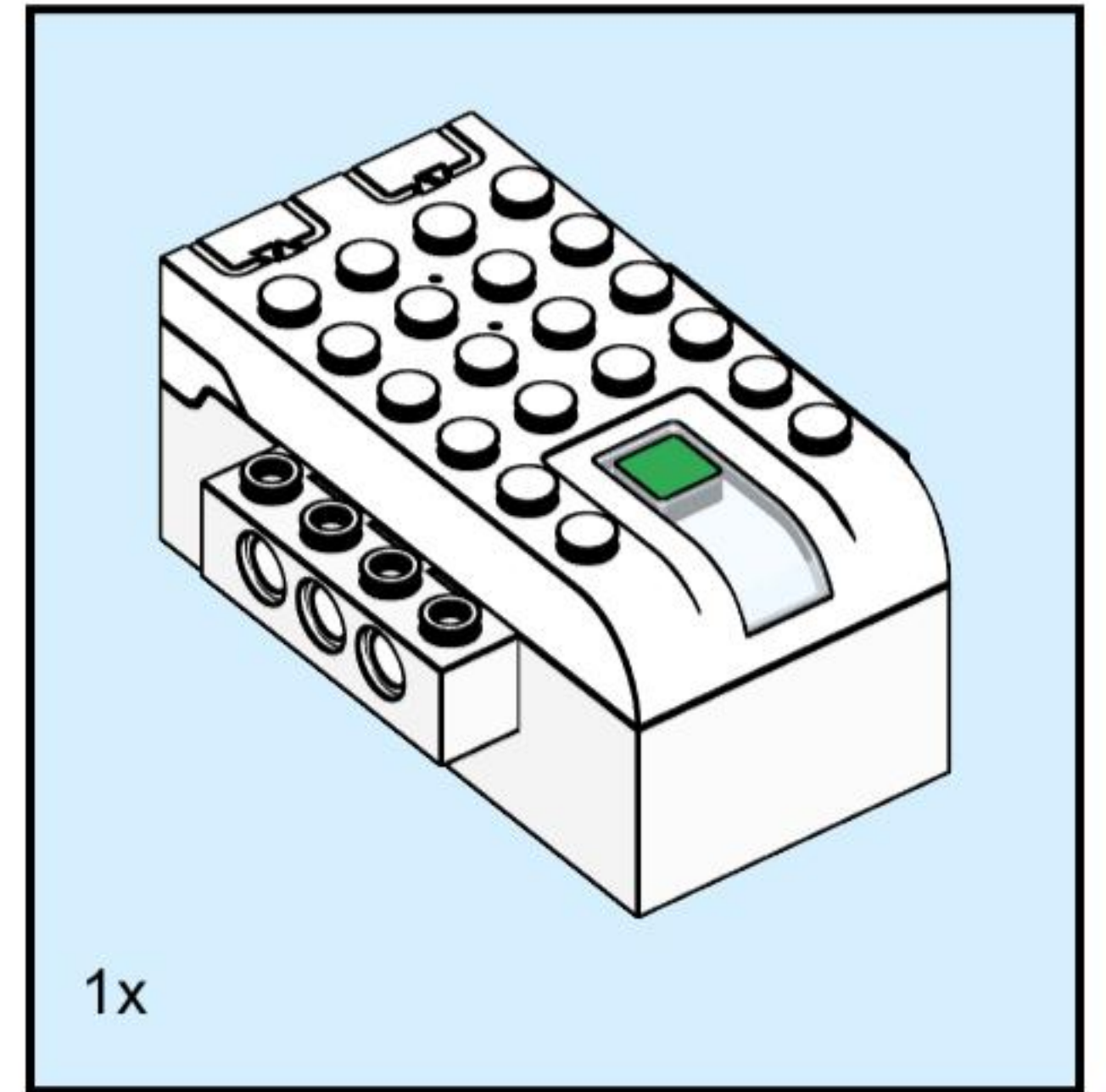
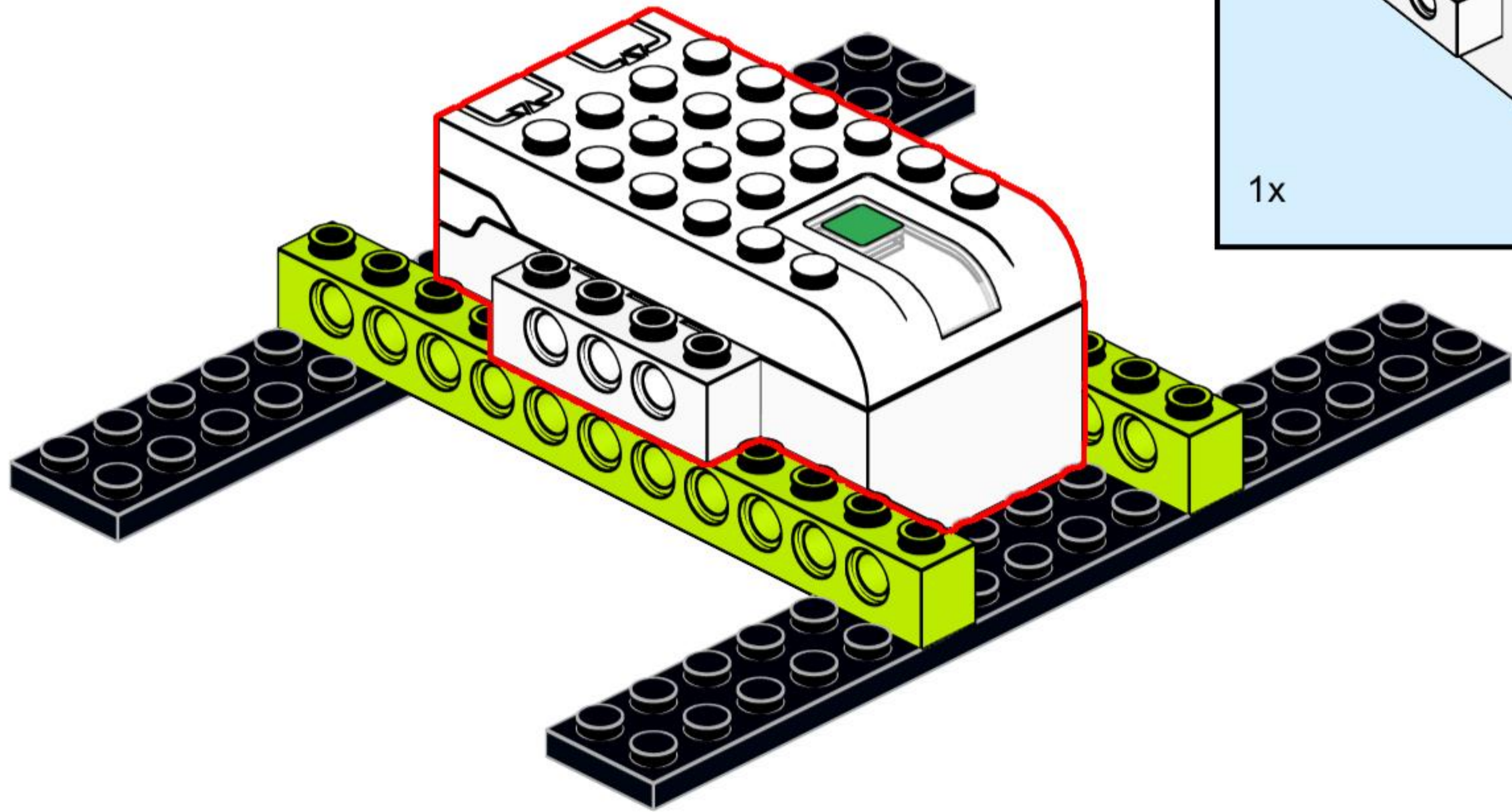
***We're going to make Spin Art
with this robotic Spinner!***



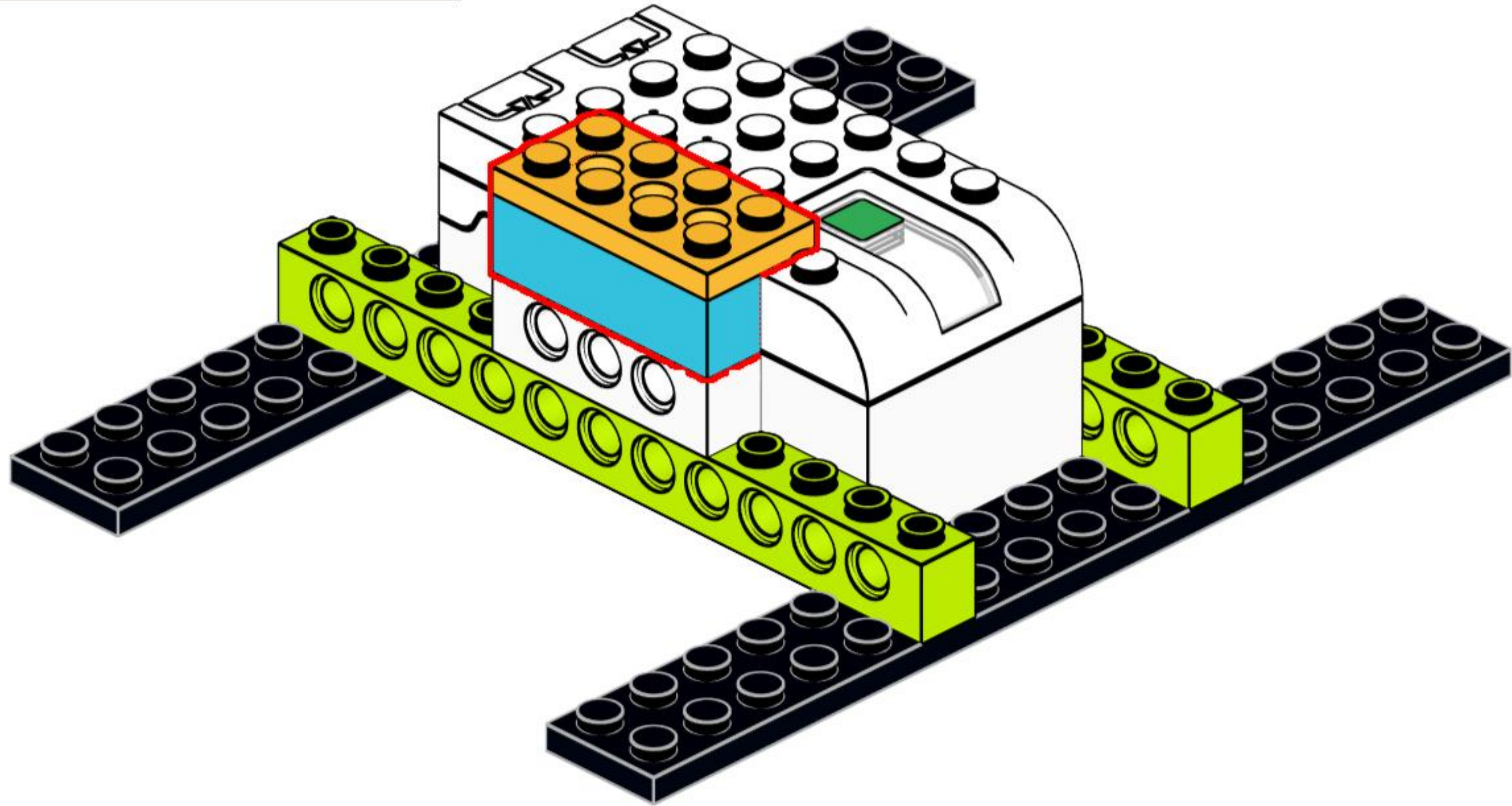
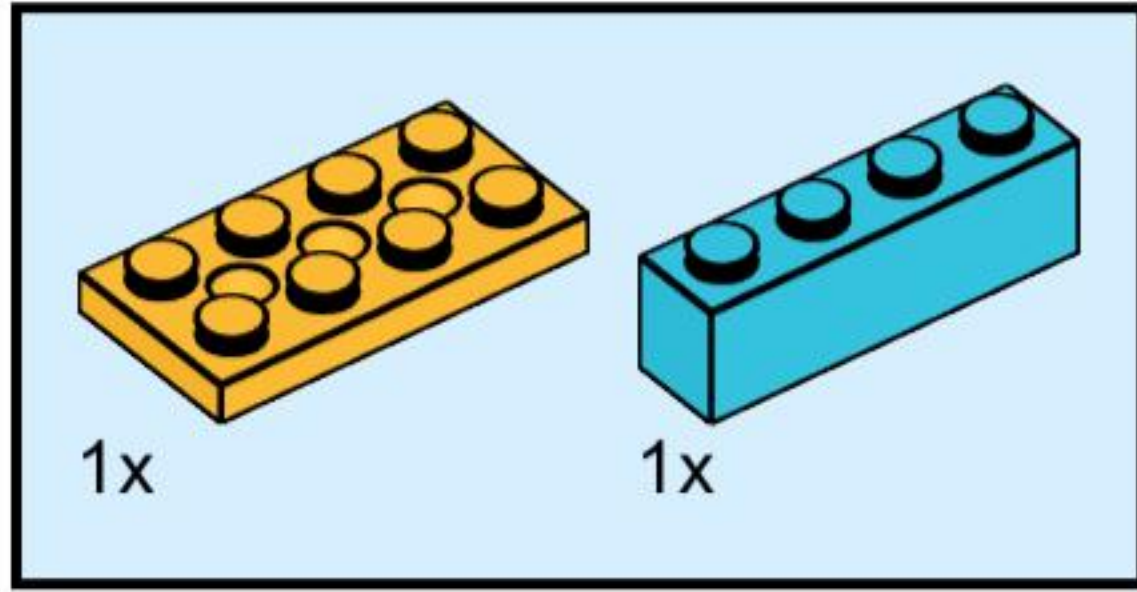
1



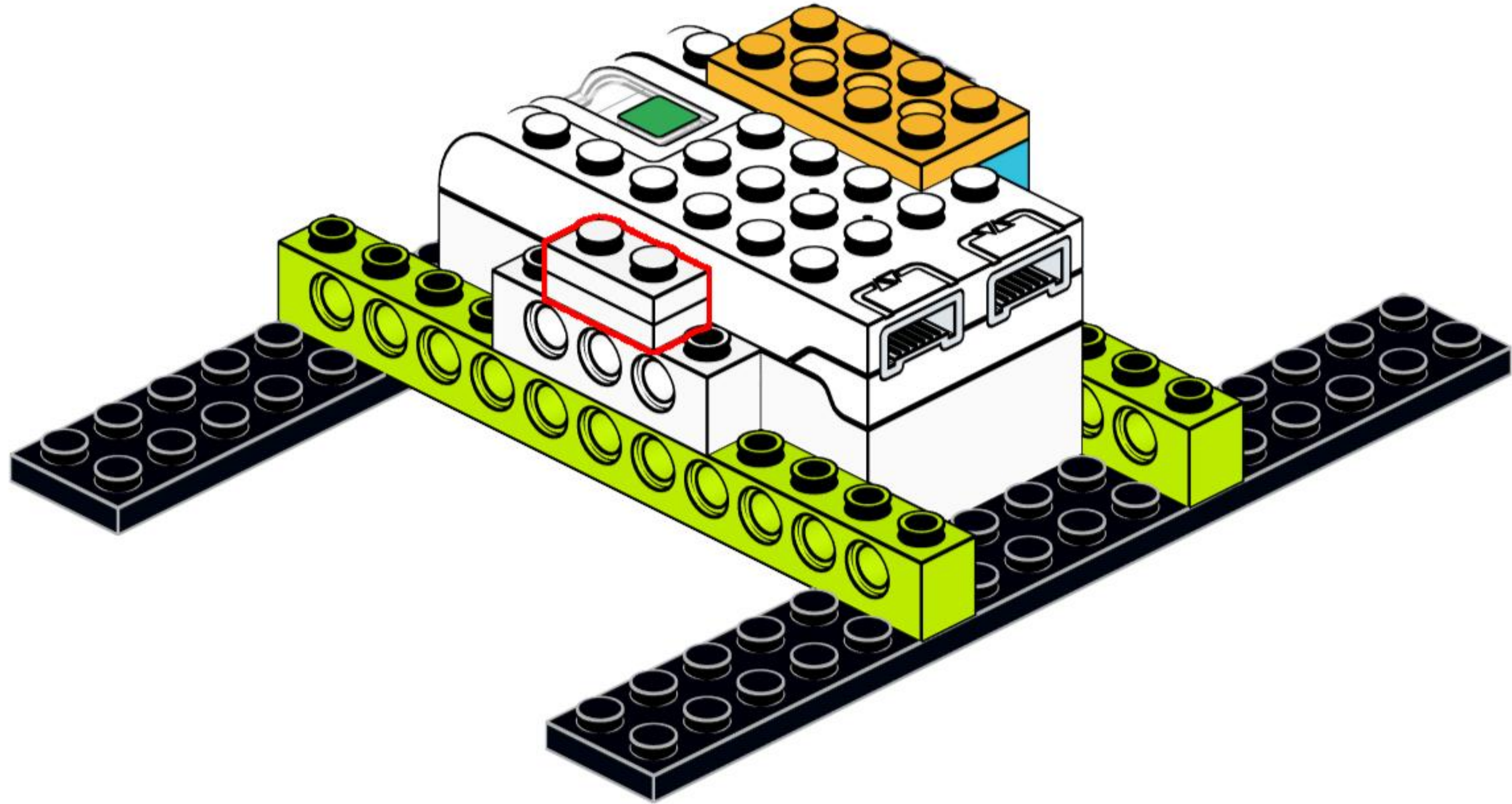
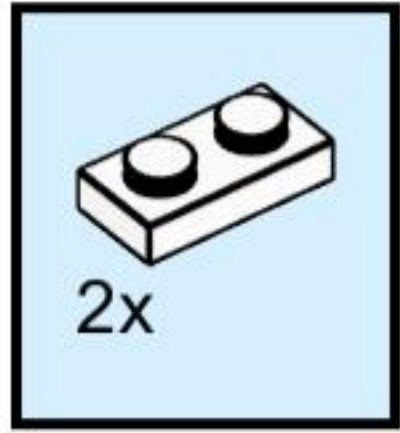
2



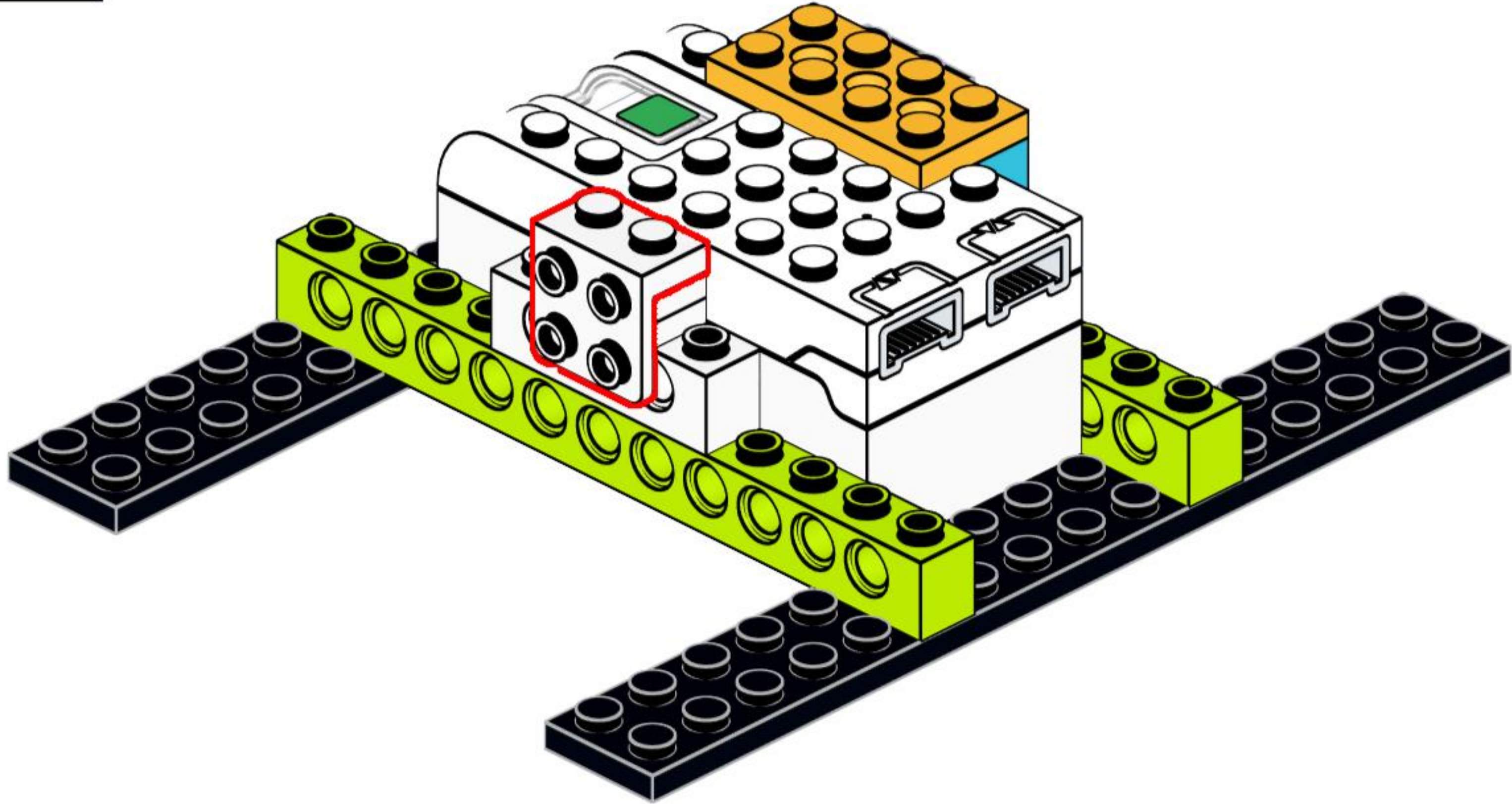
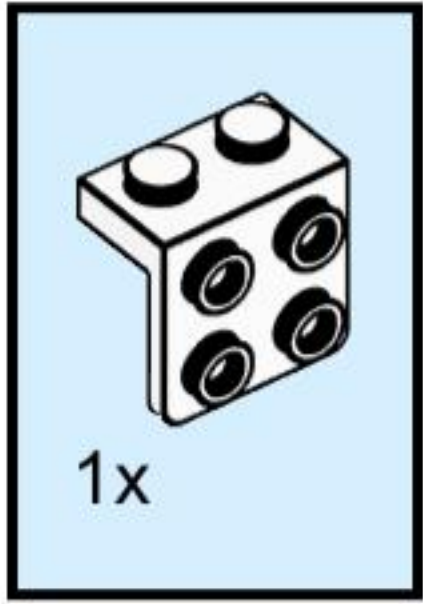
3



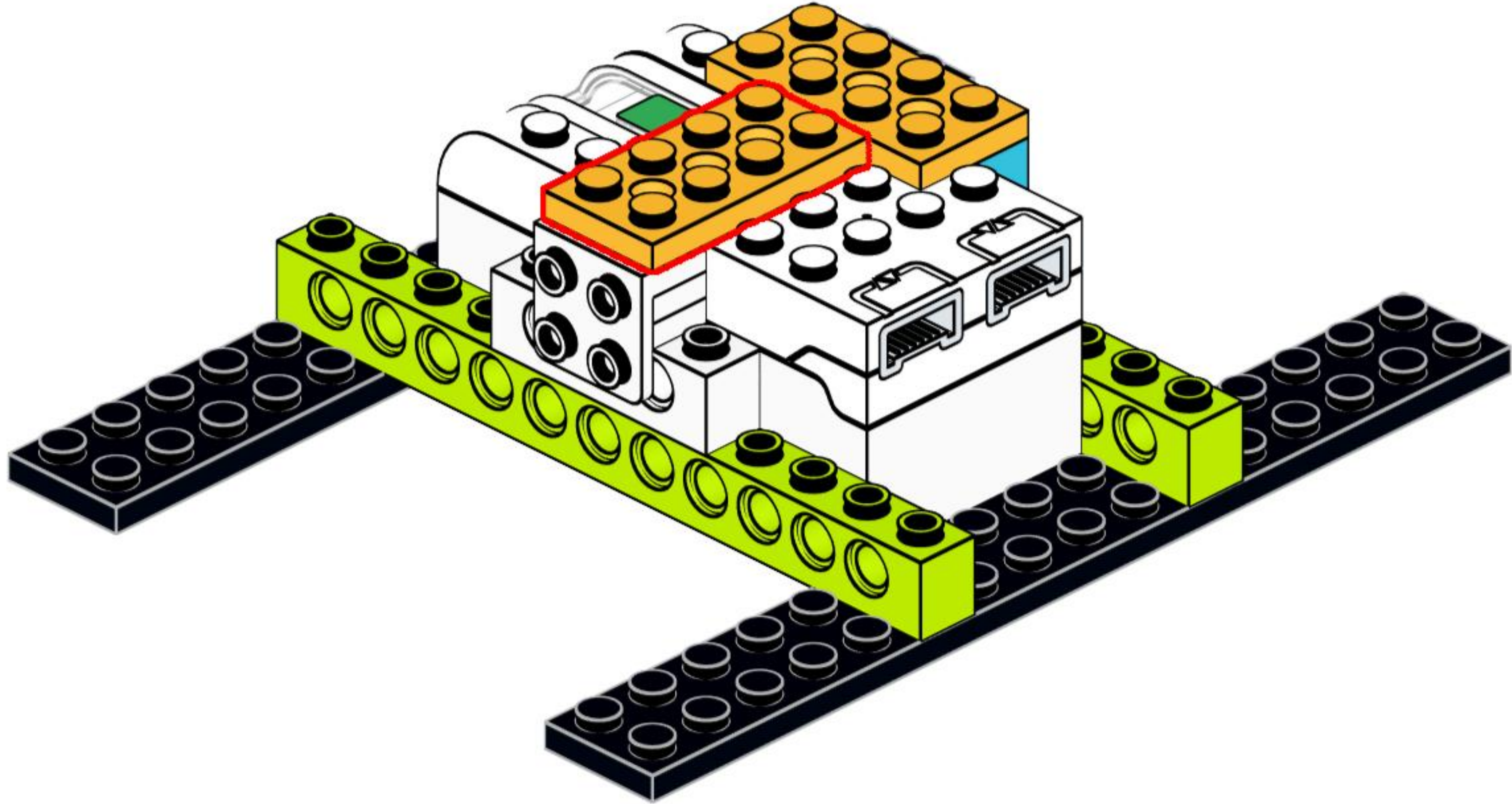
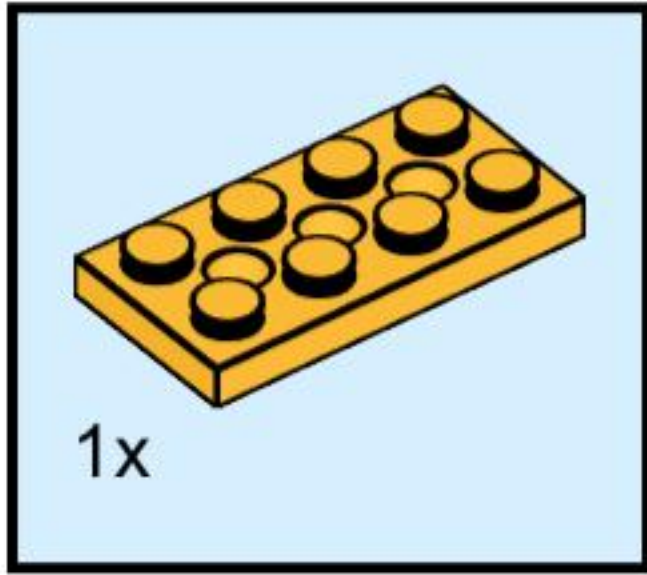
4



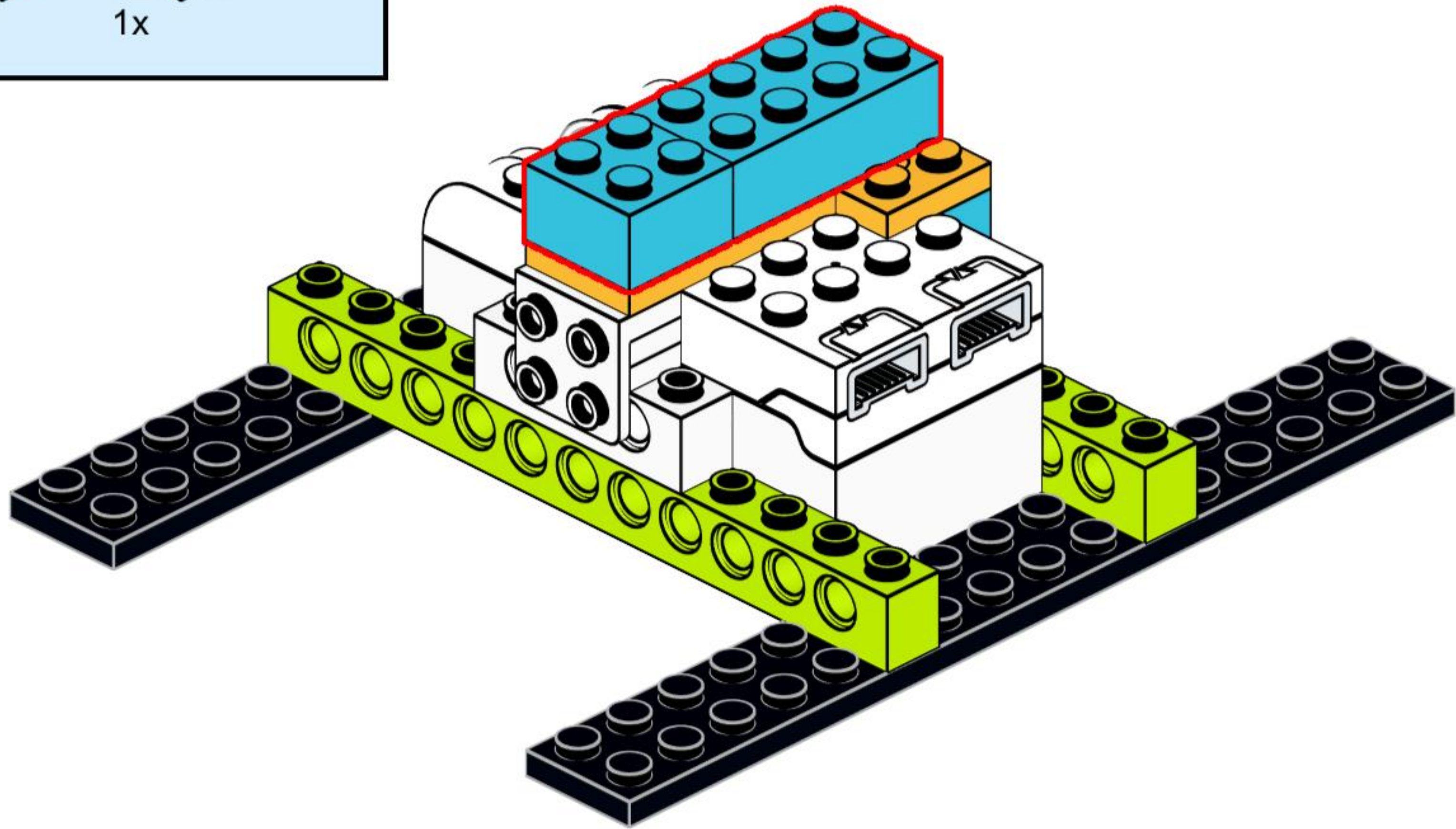
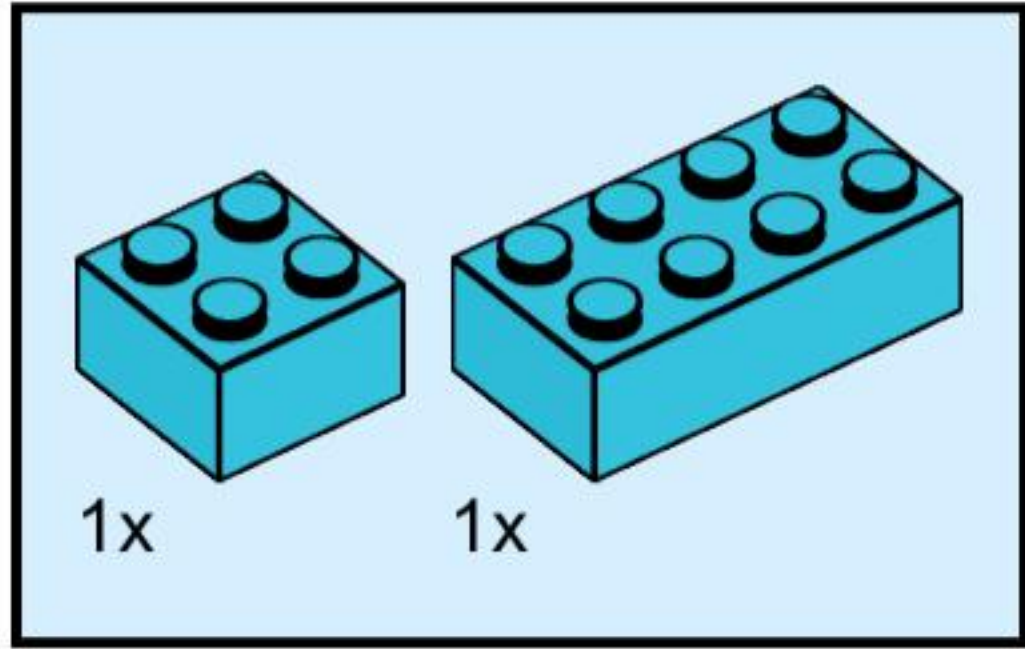
5



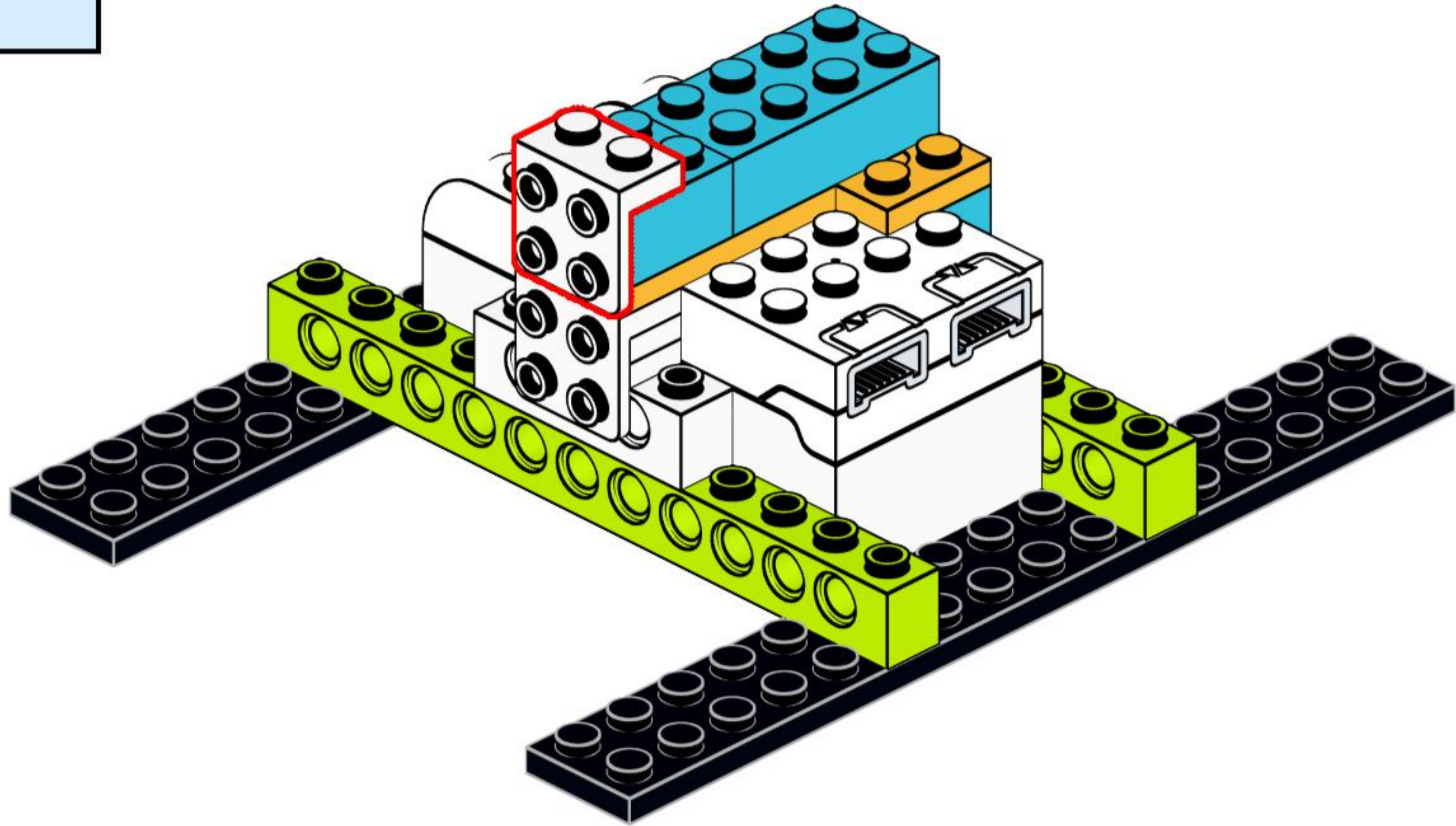
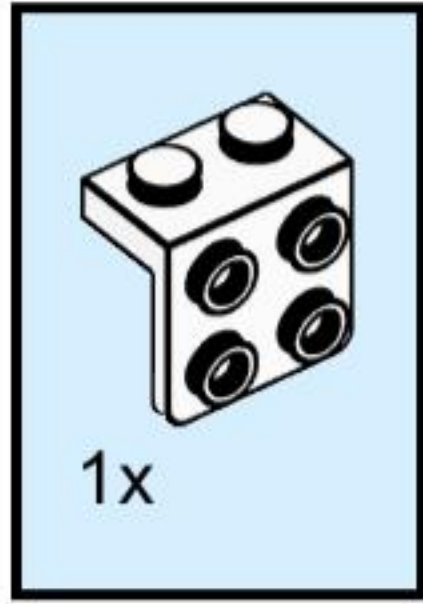
6



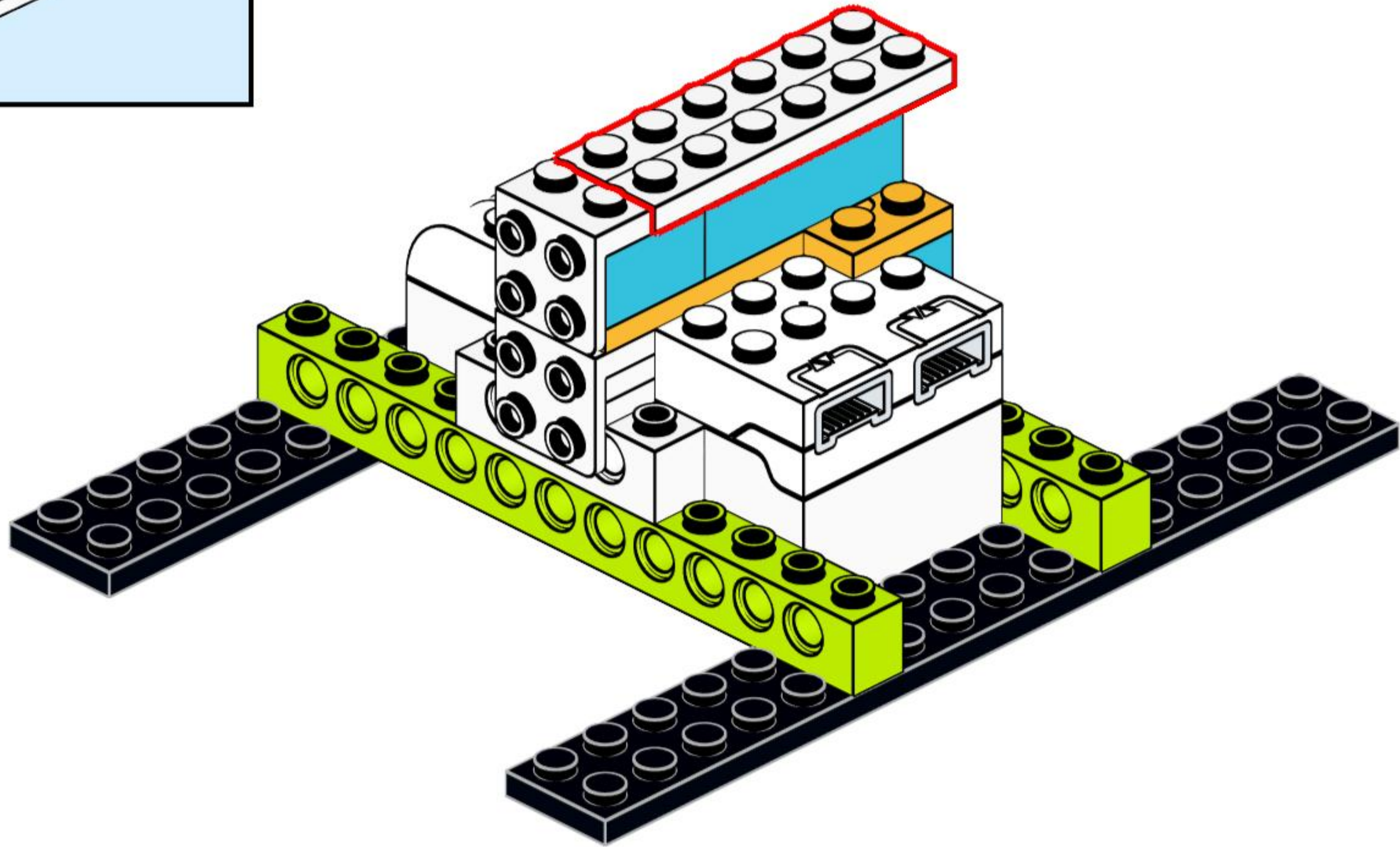
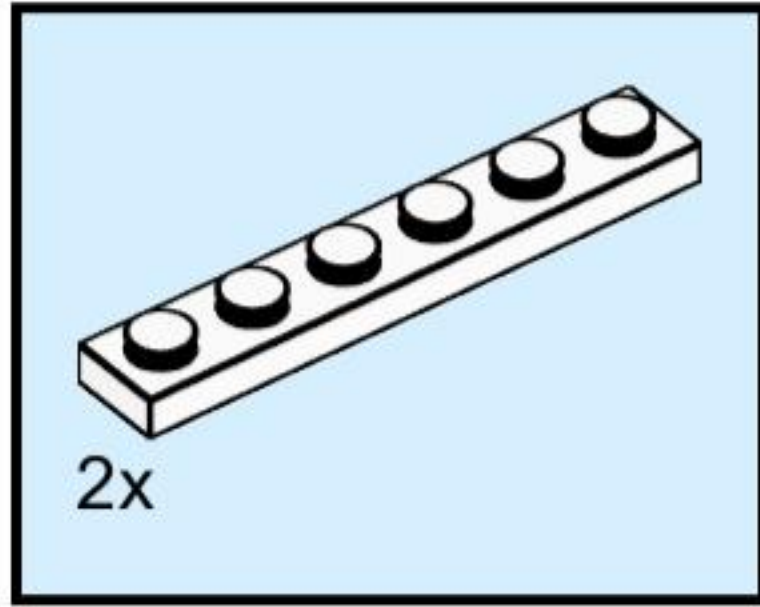
7



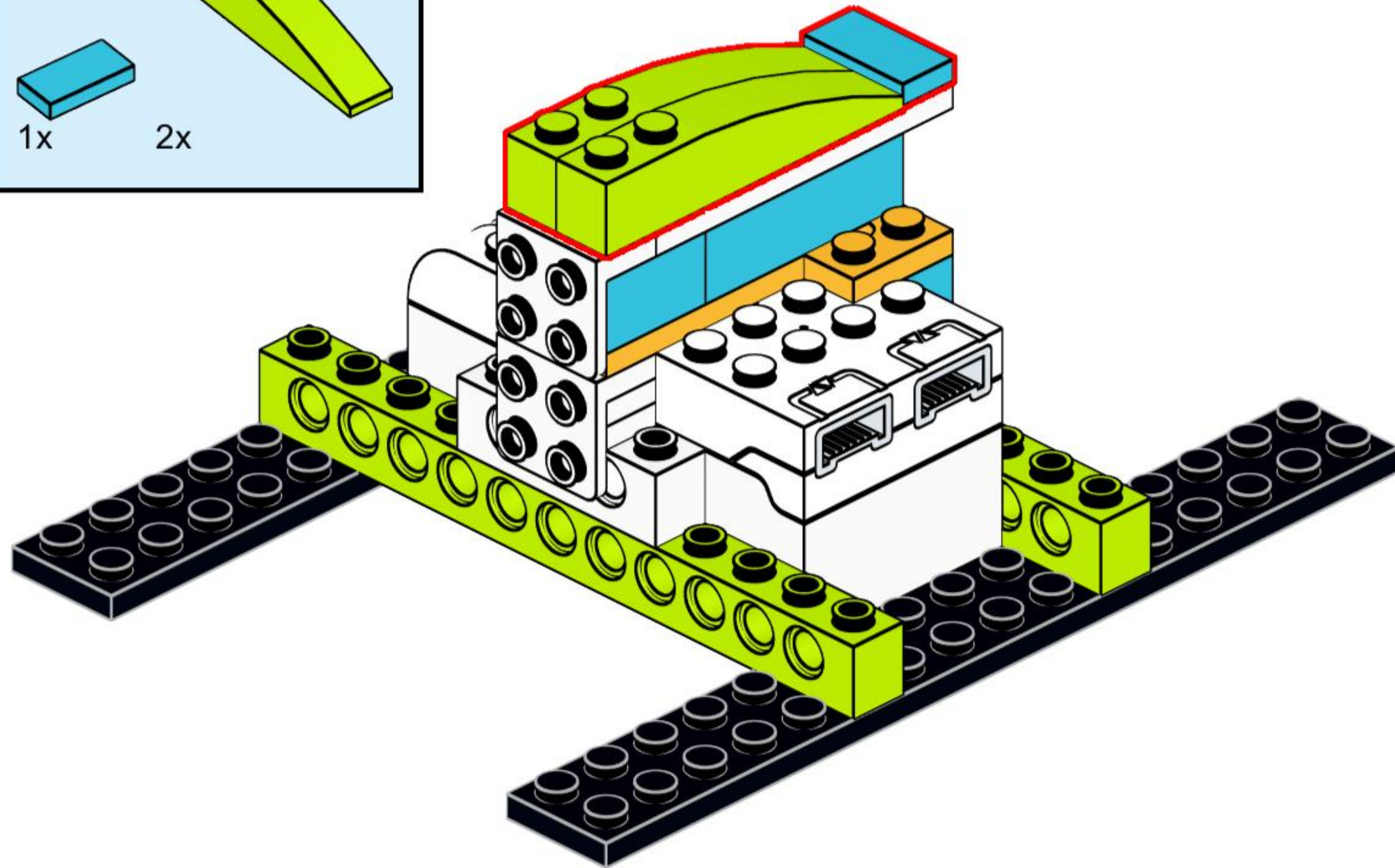
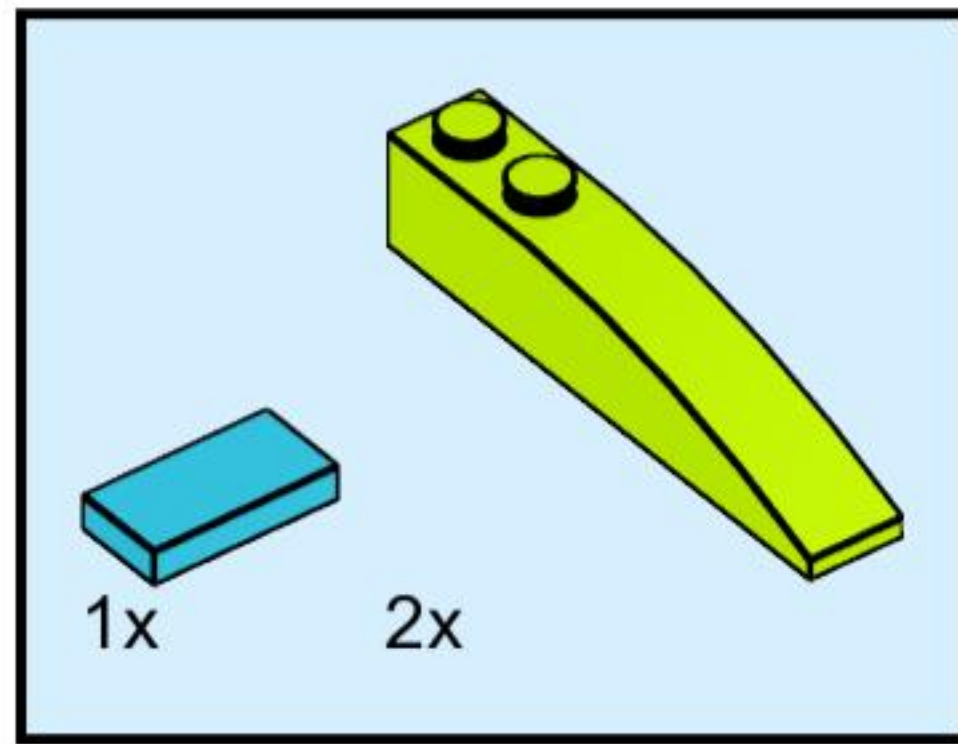
8



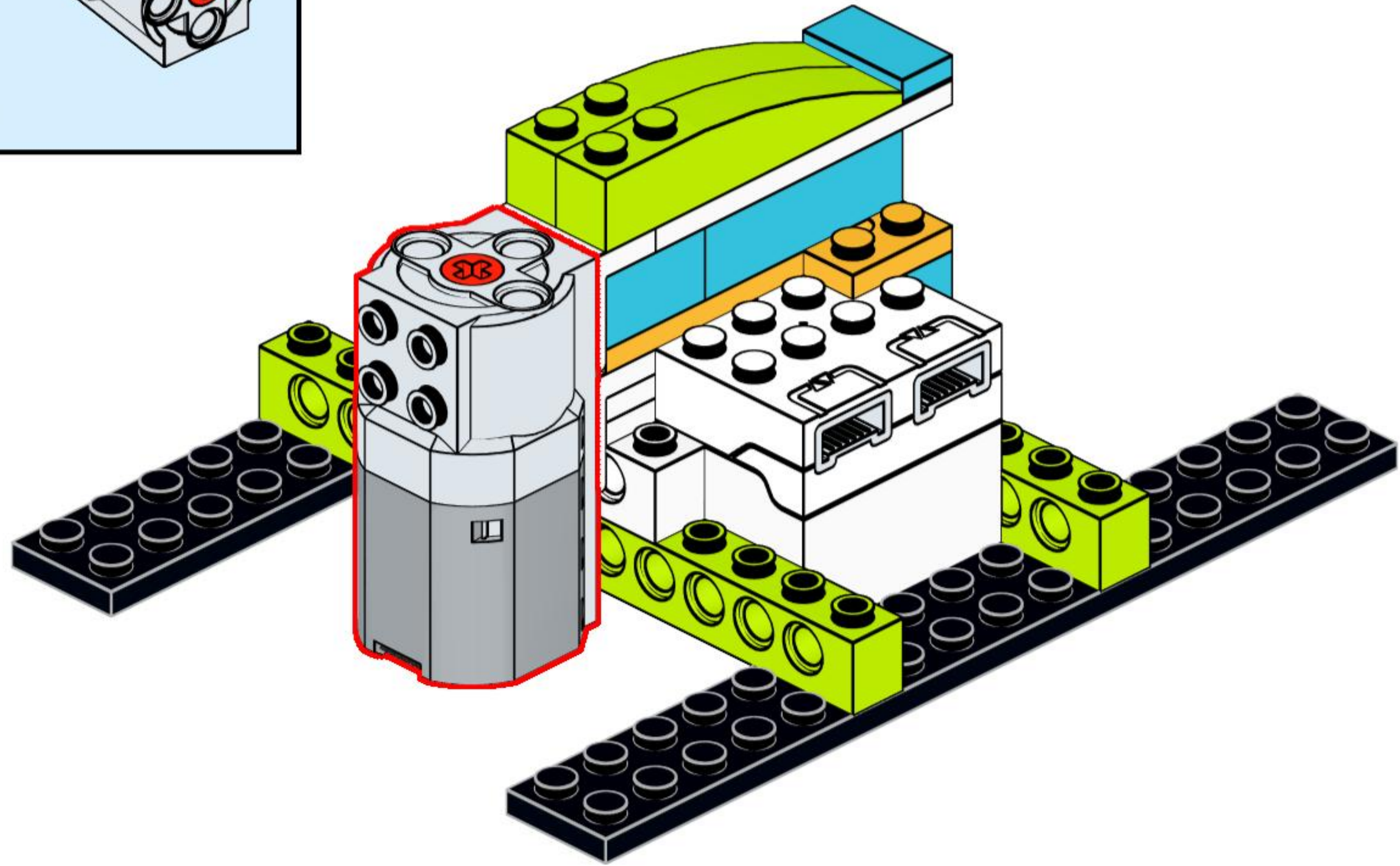
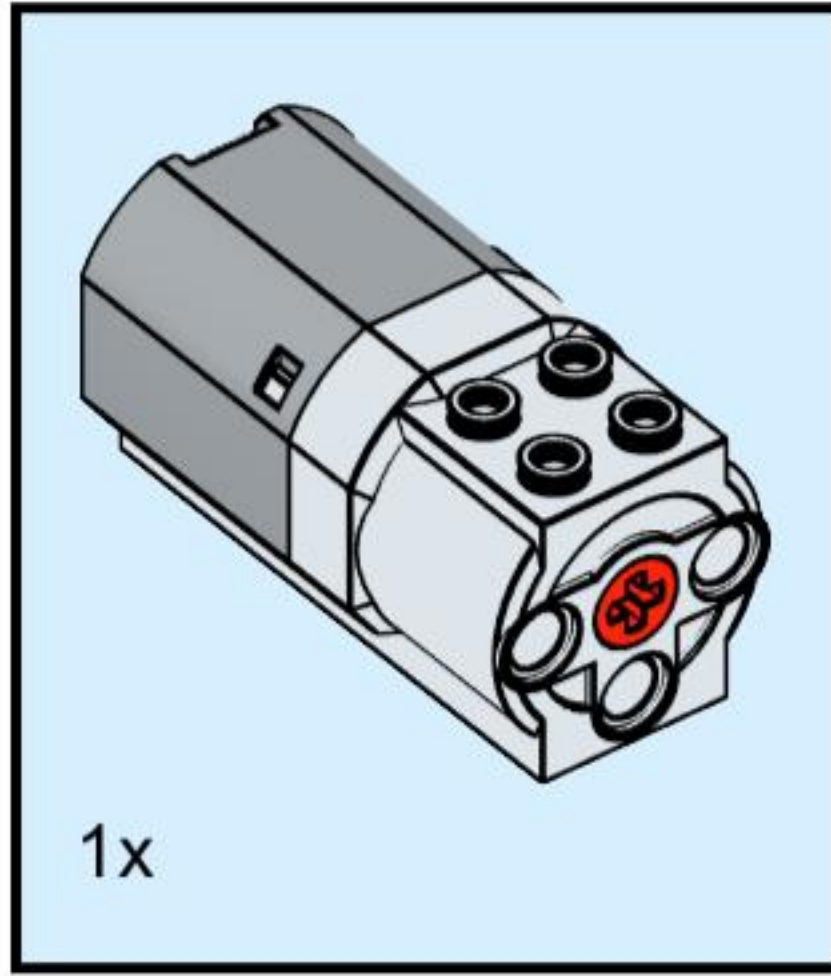
9



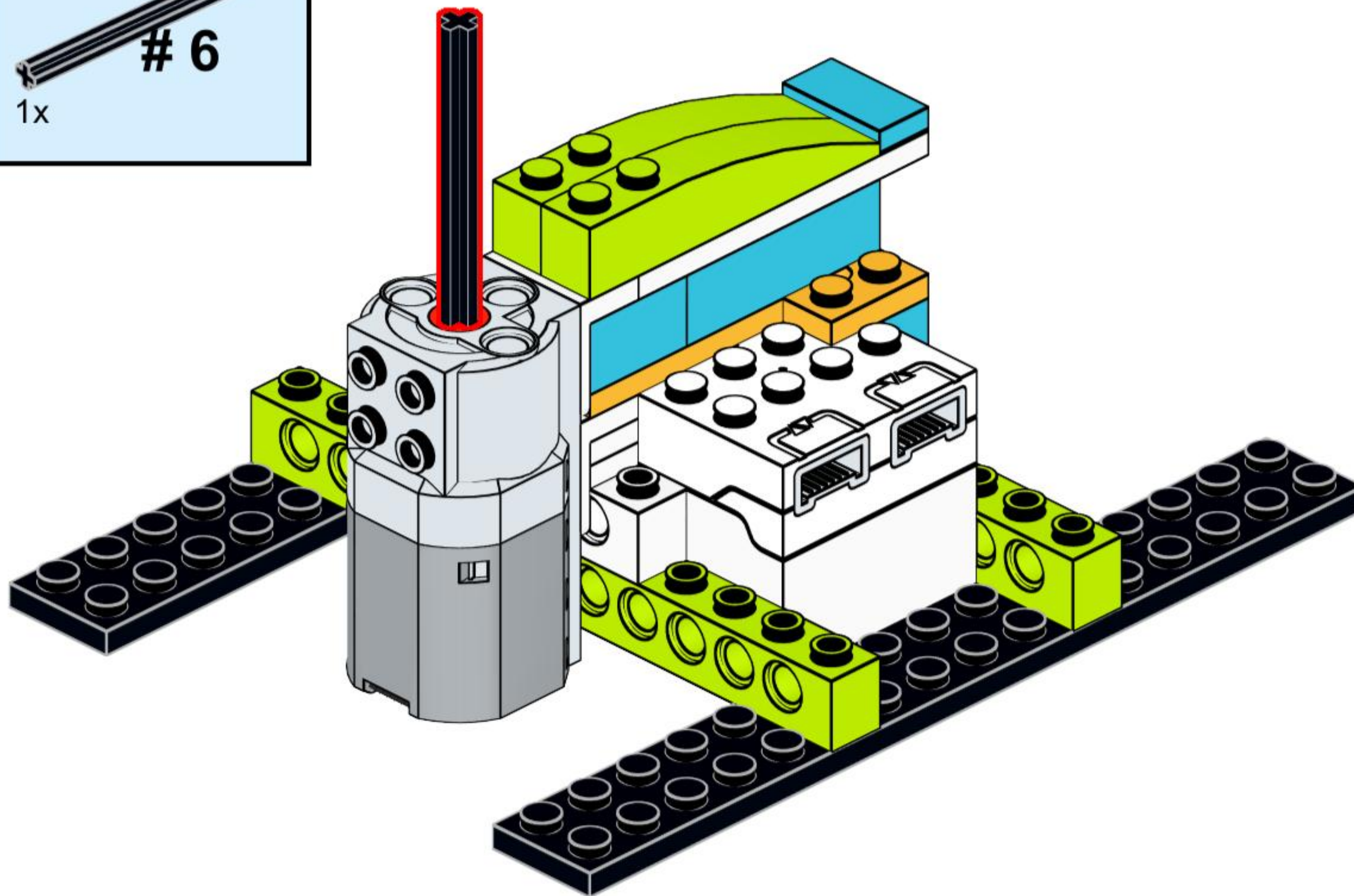
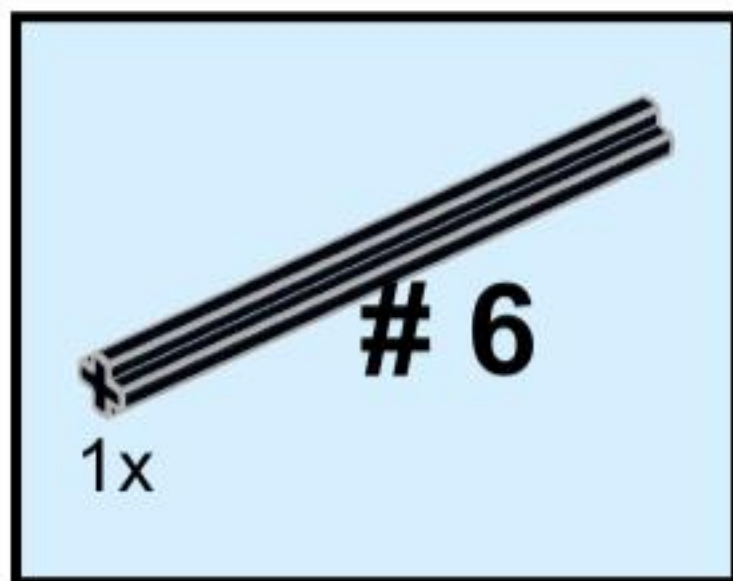
10



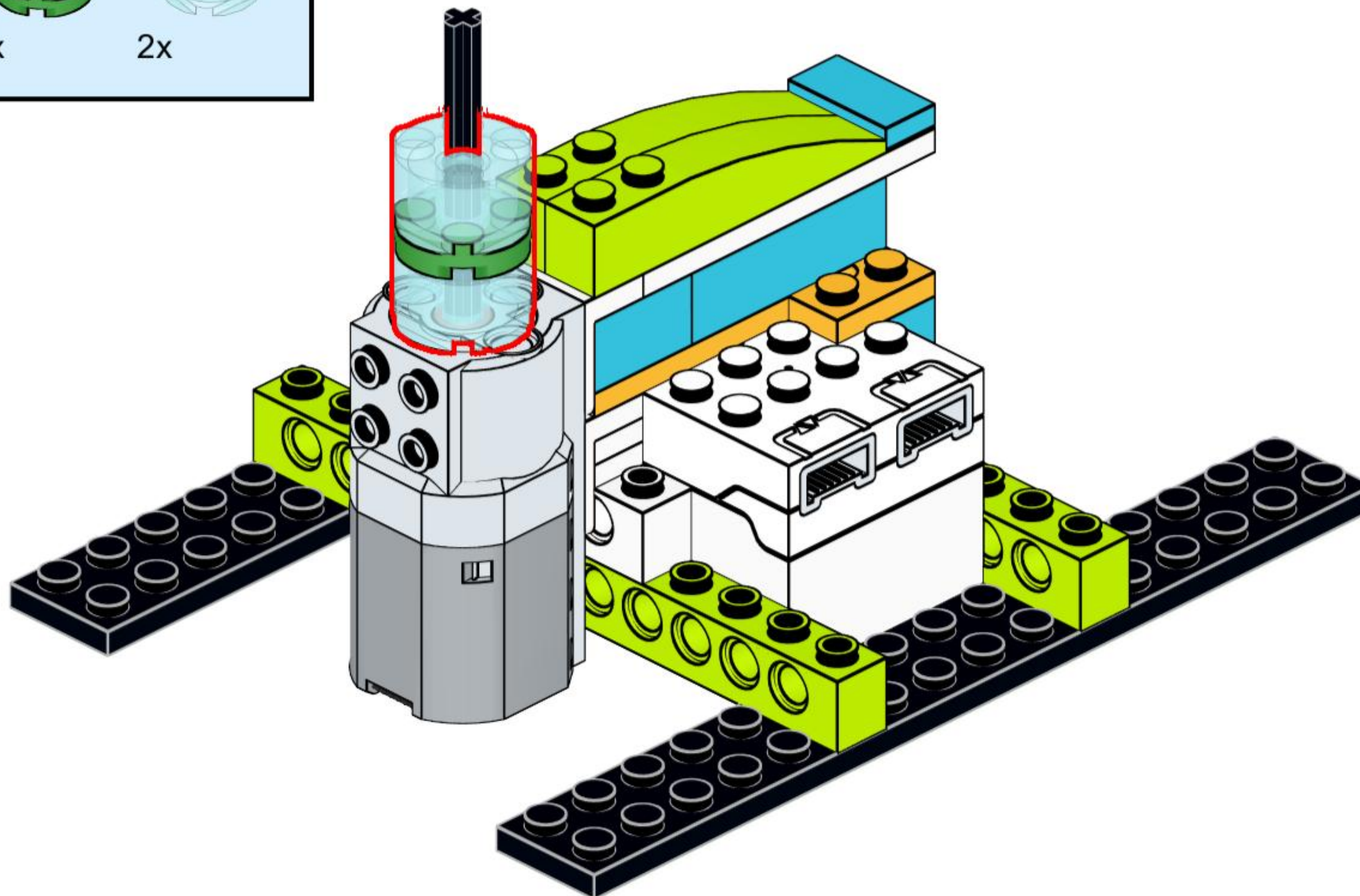
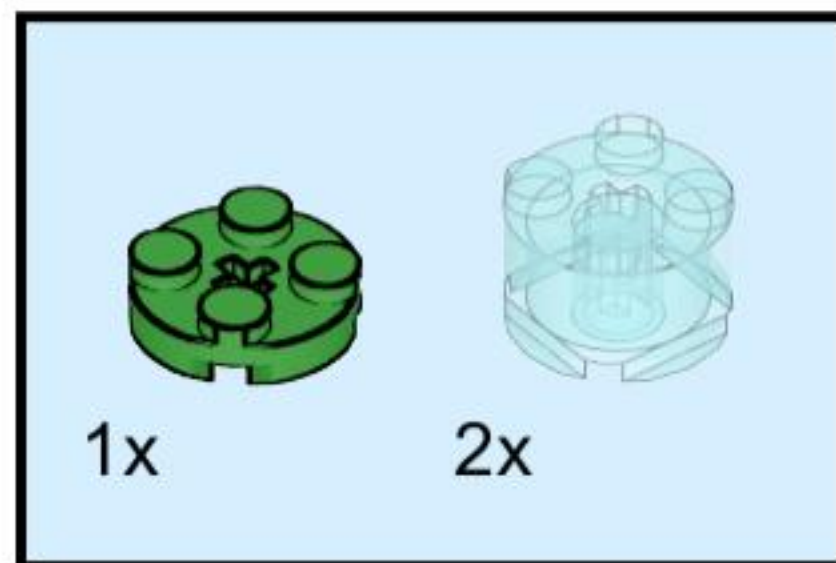
11



12

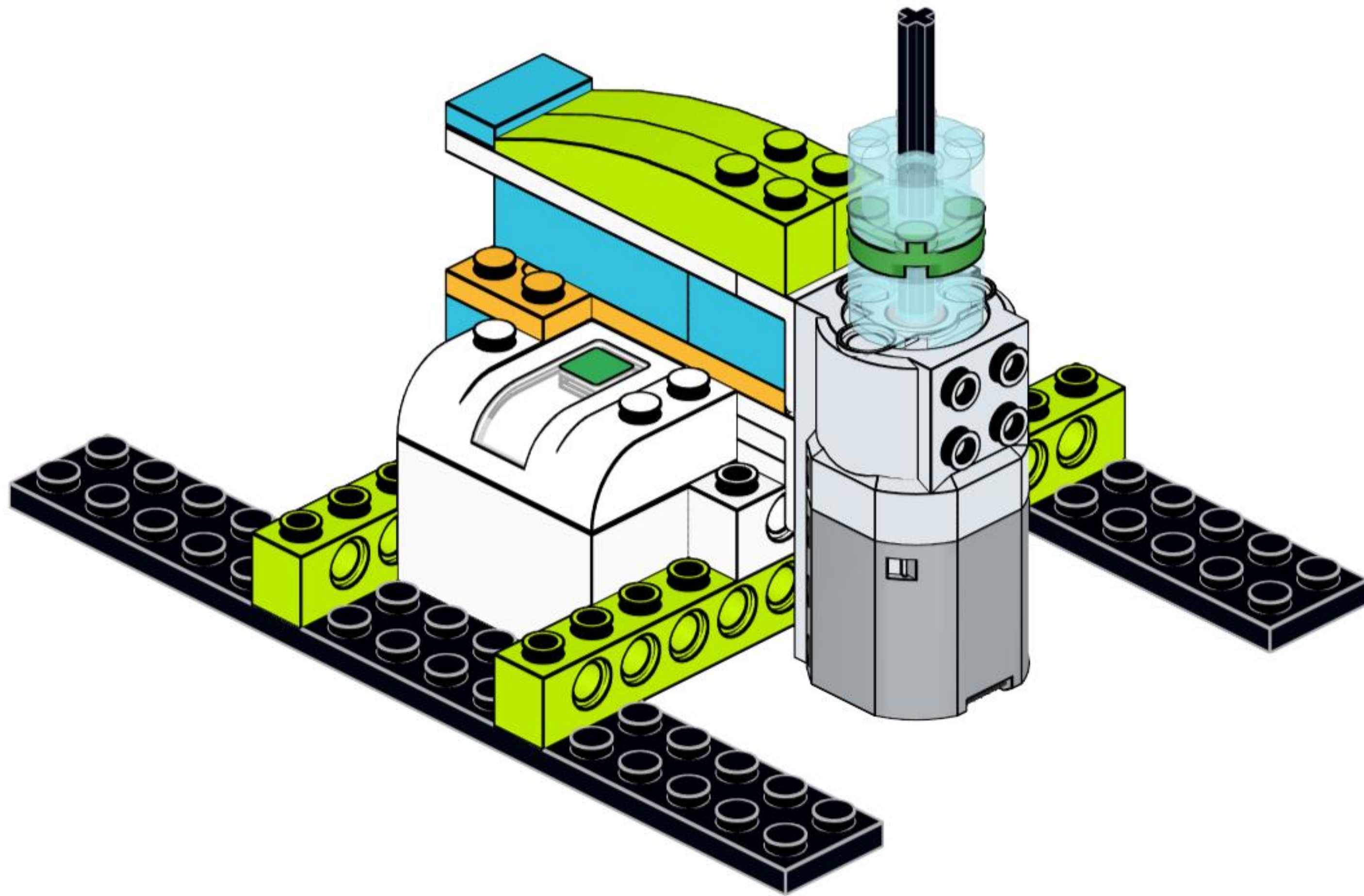


13

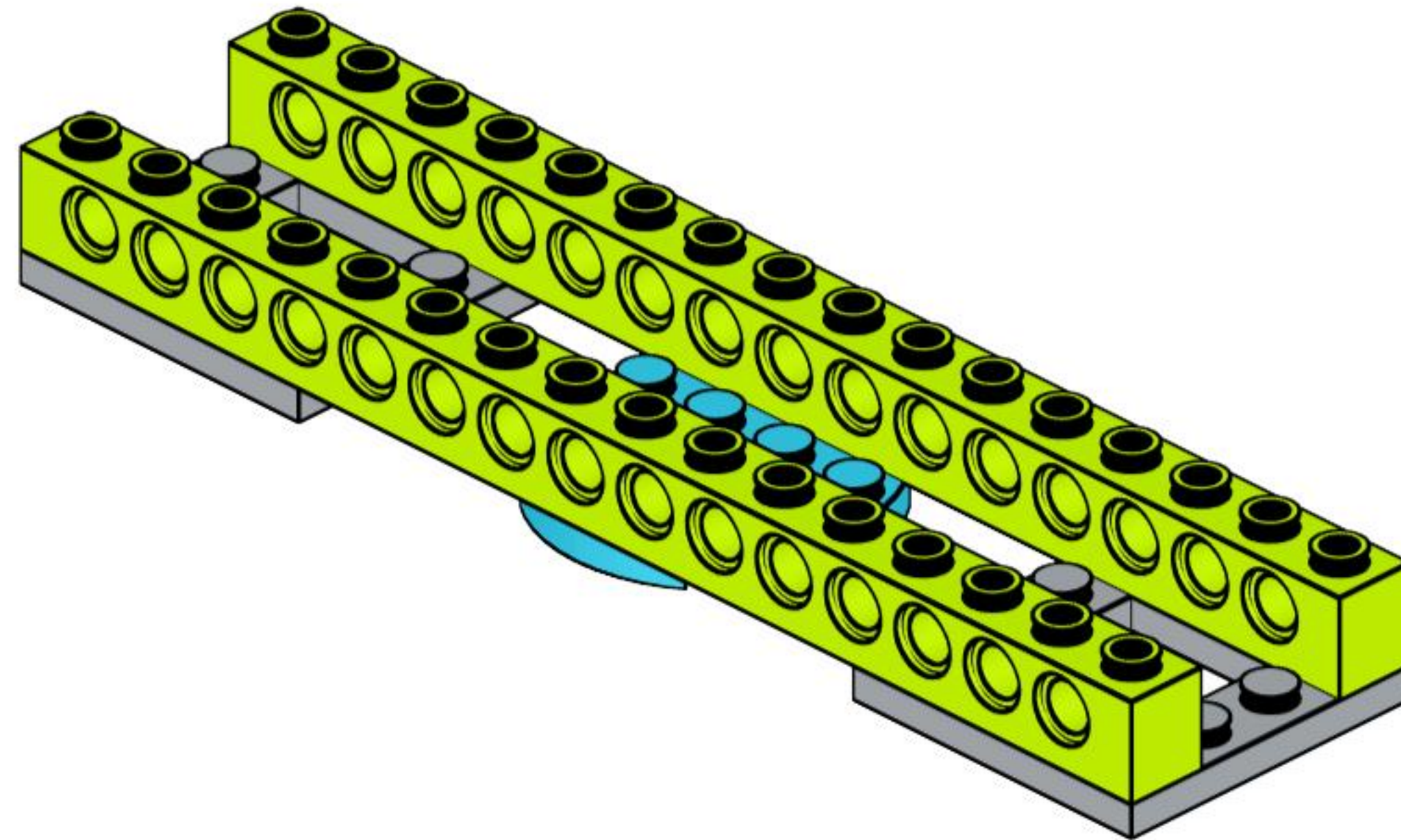
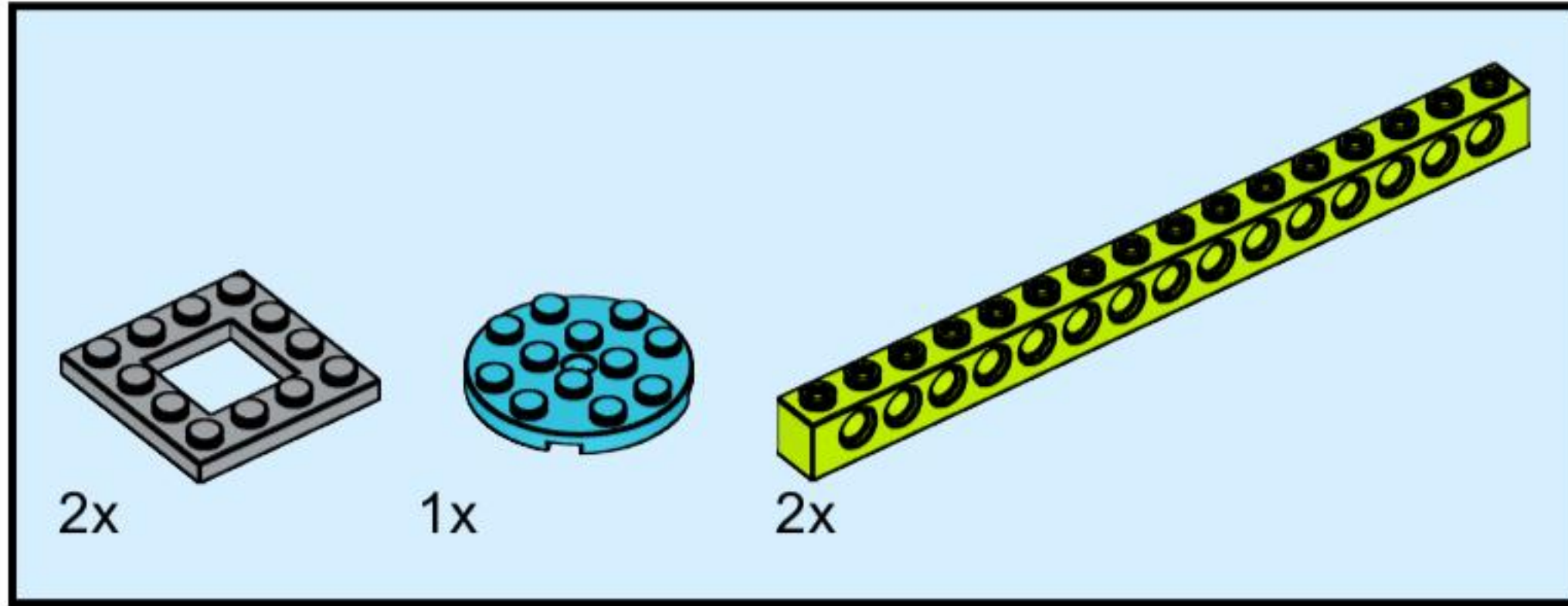


14

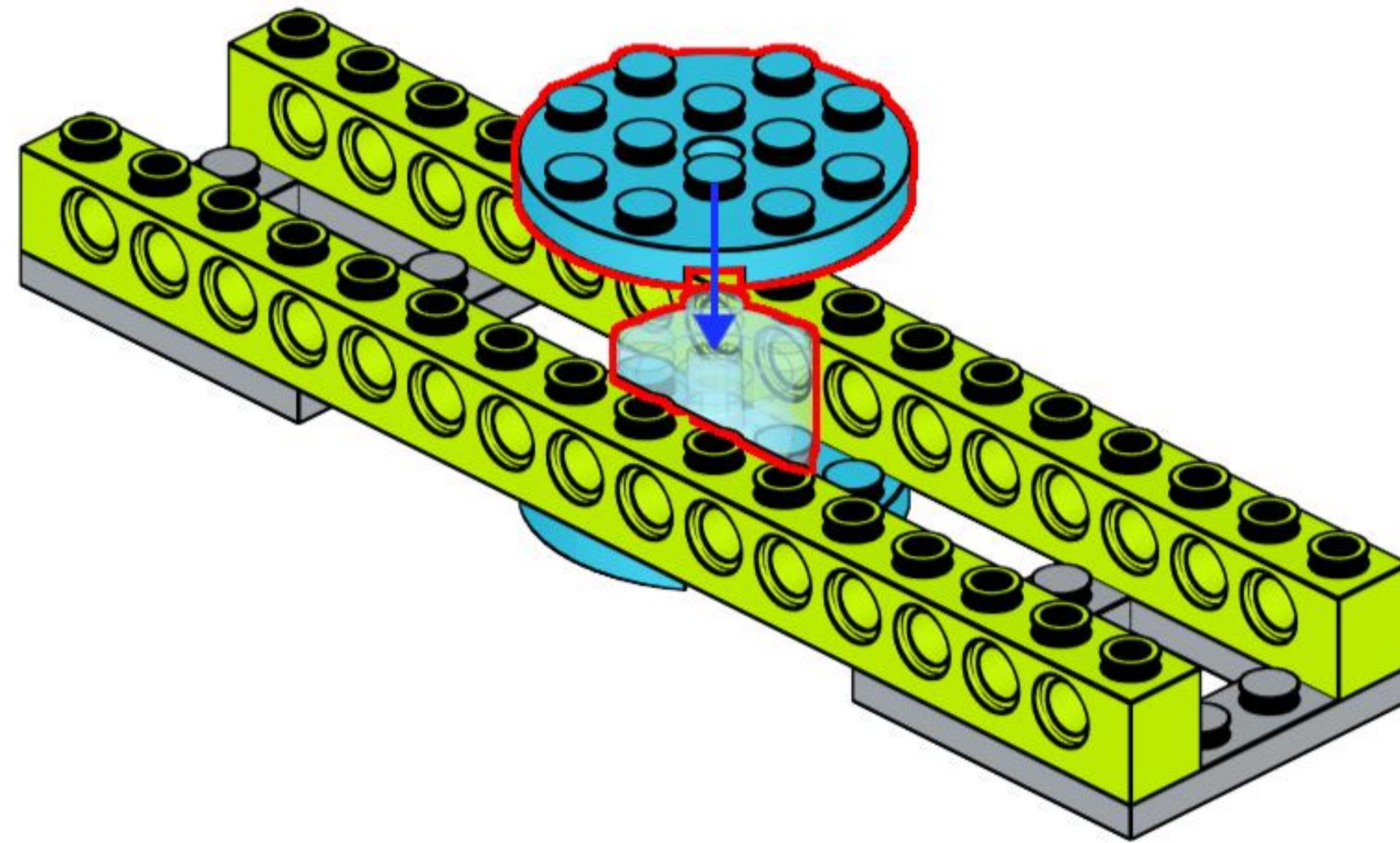
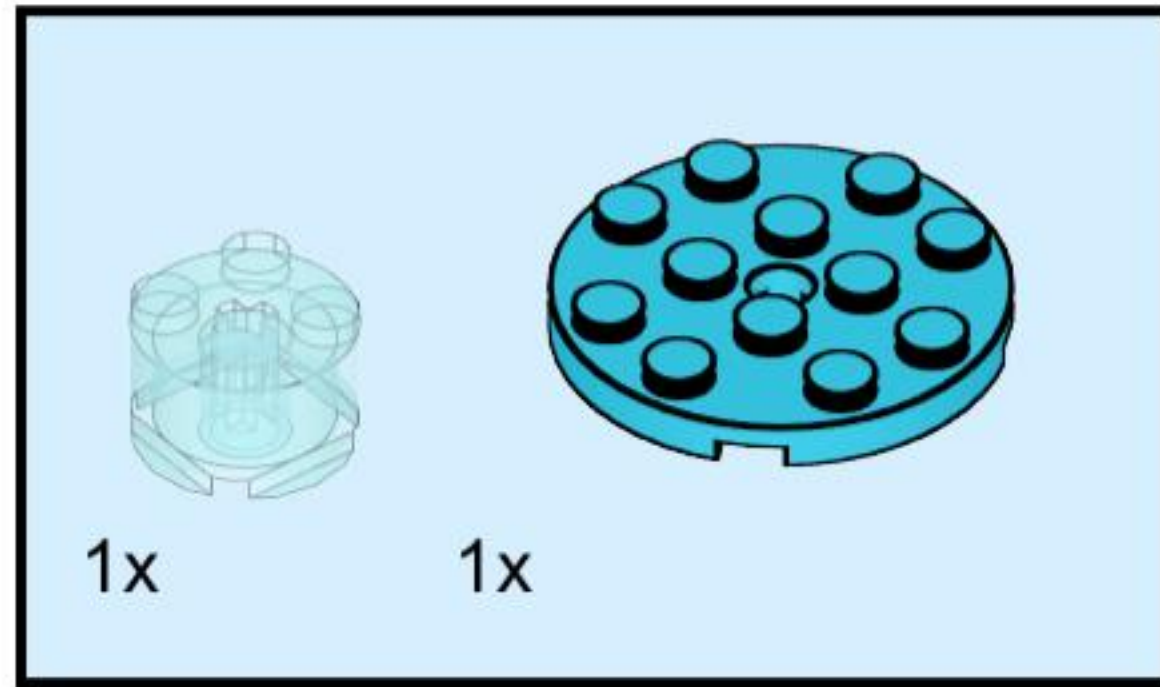
The base is done. Now for the spinner!



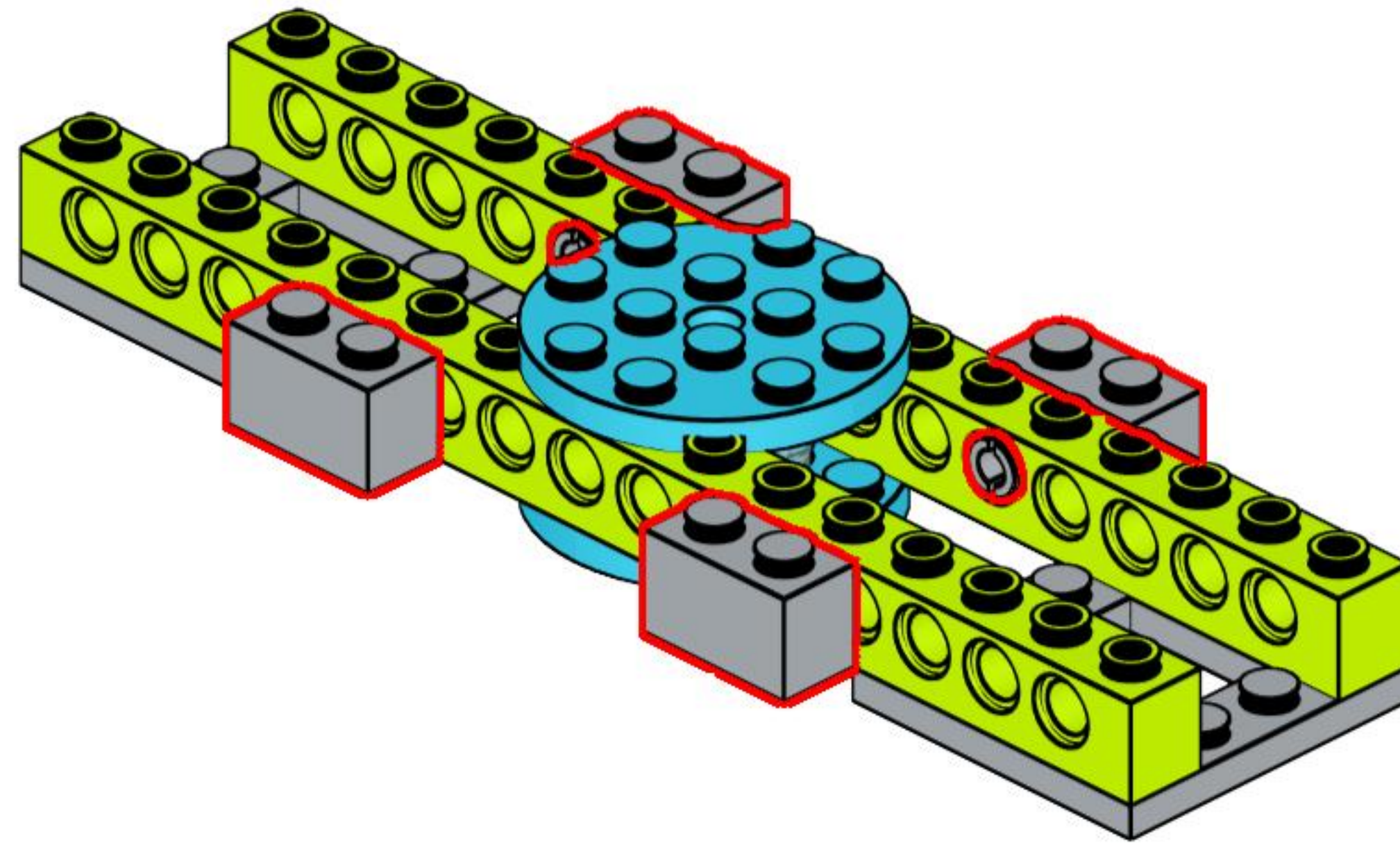
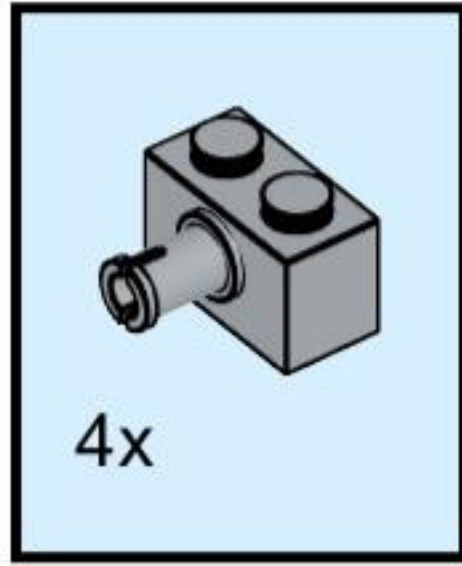
15



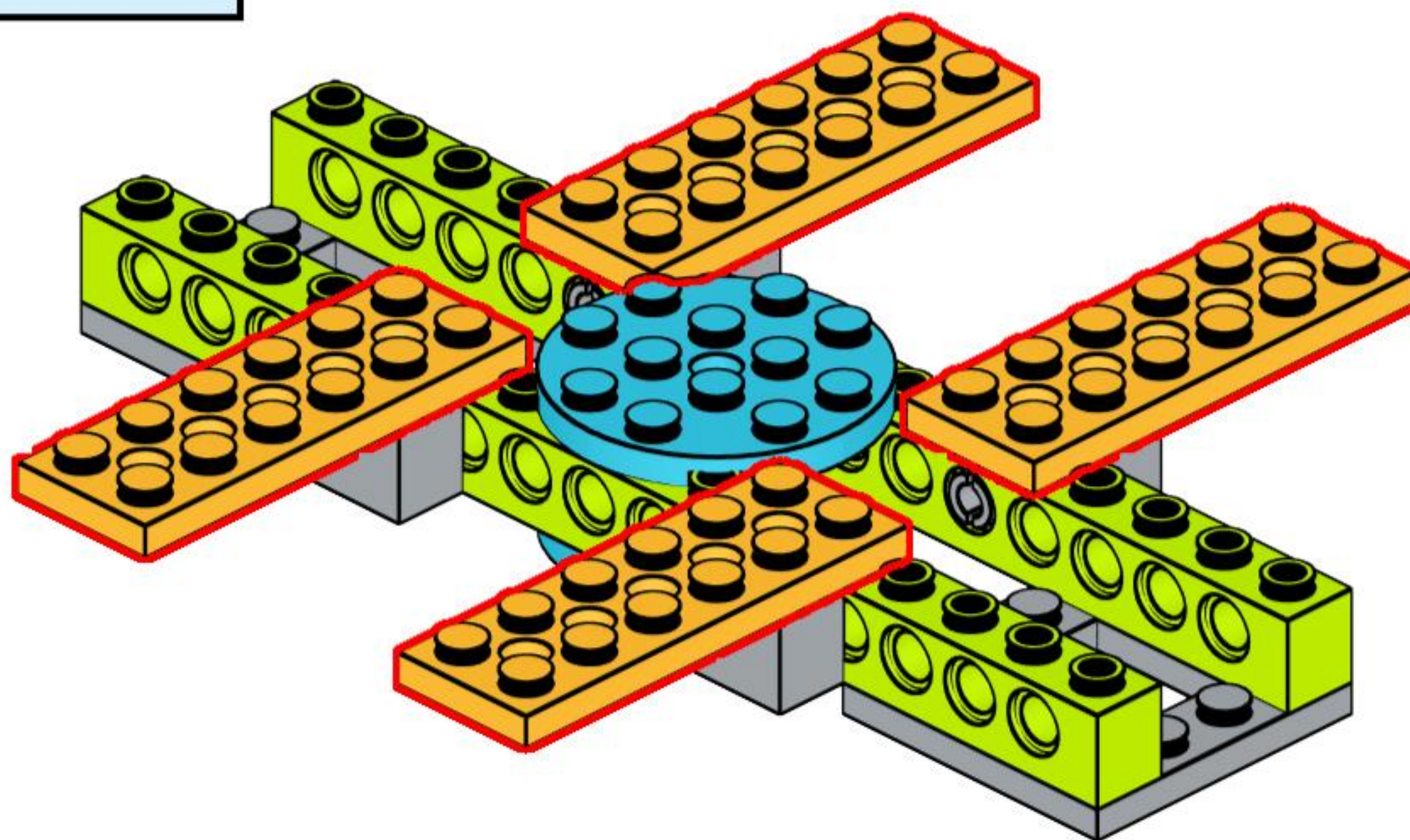
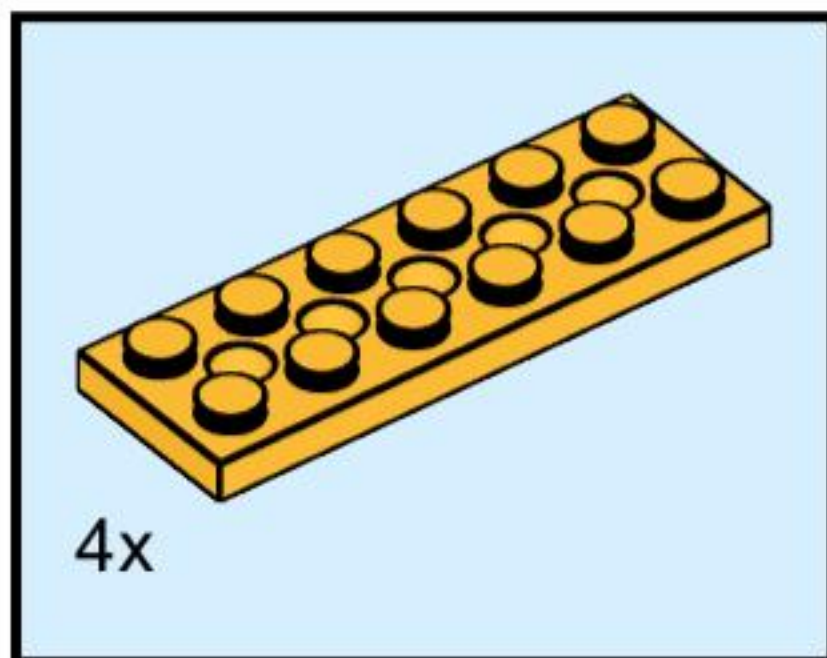
16



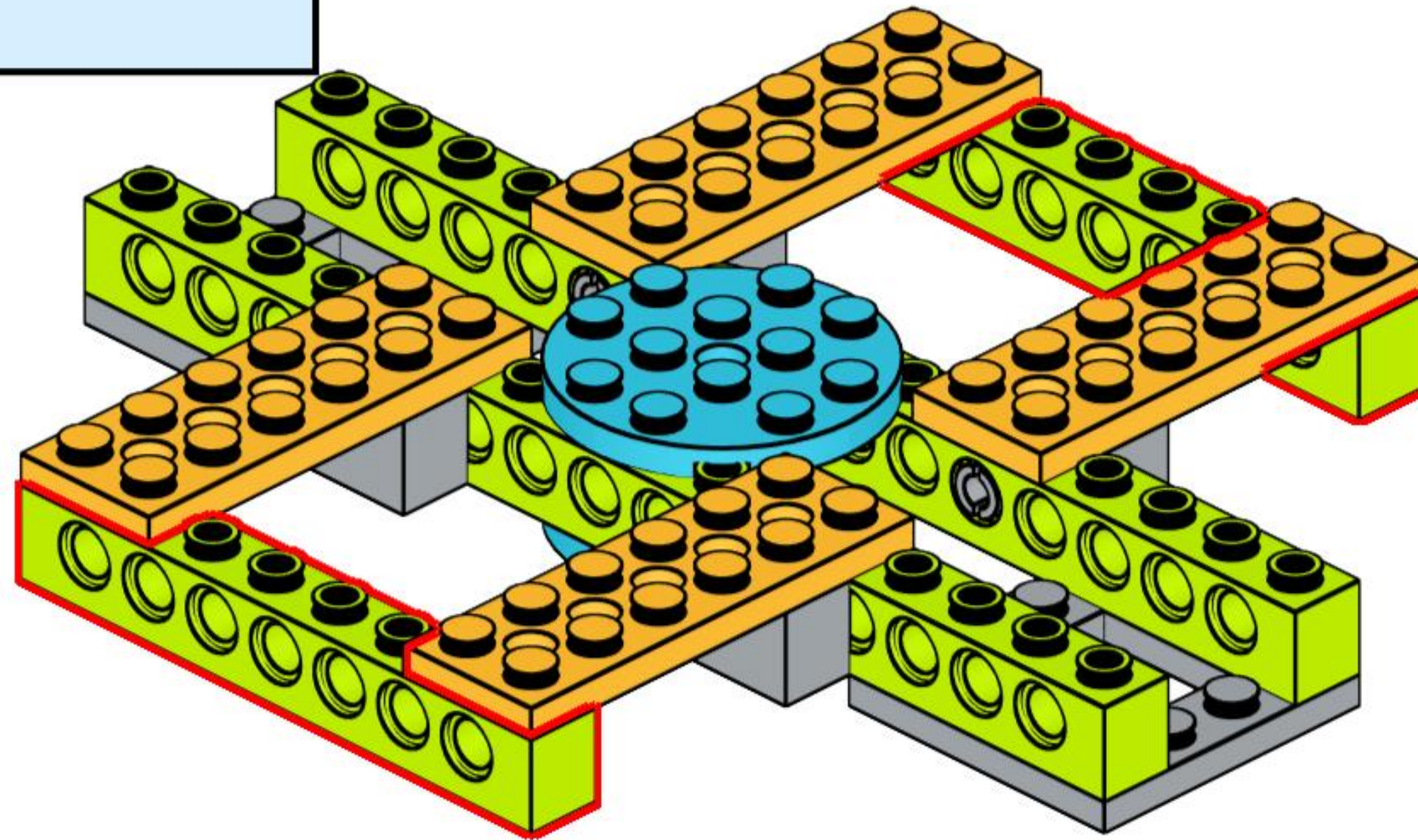
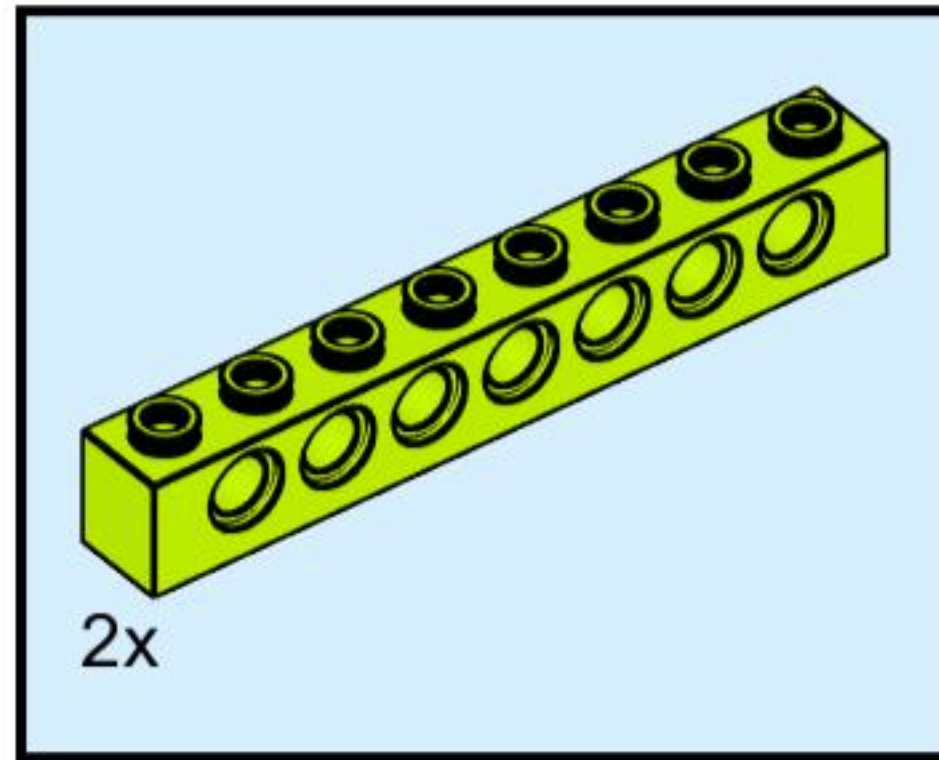
17



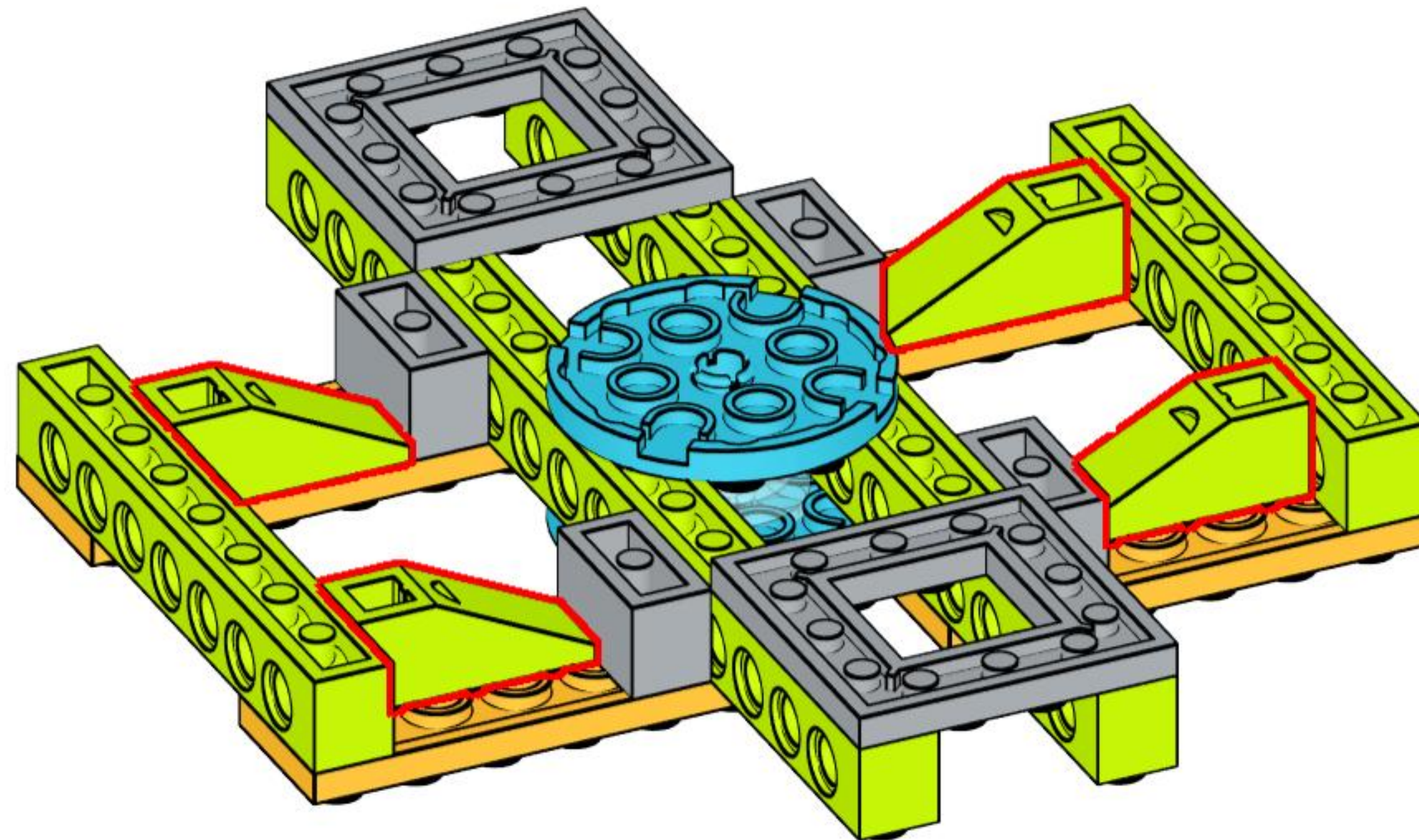
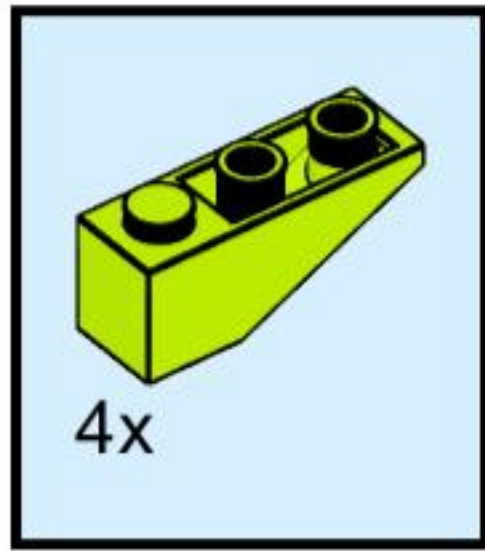
18



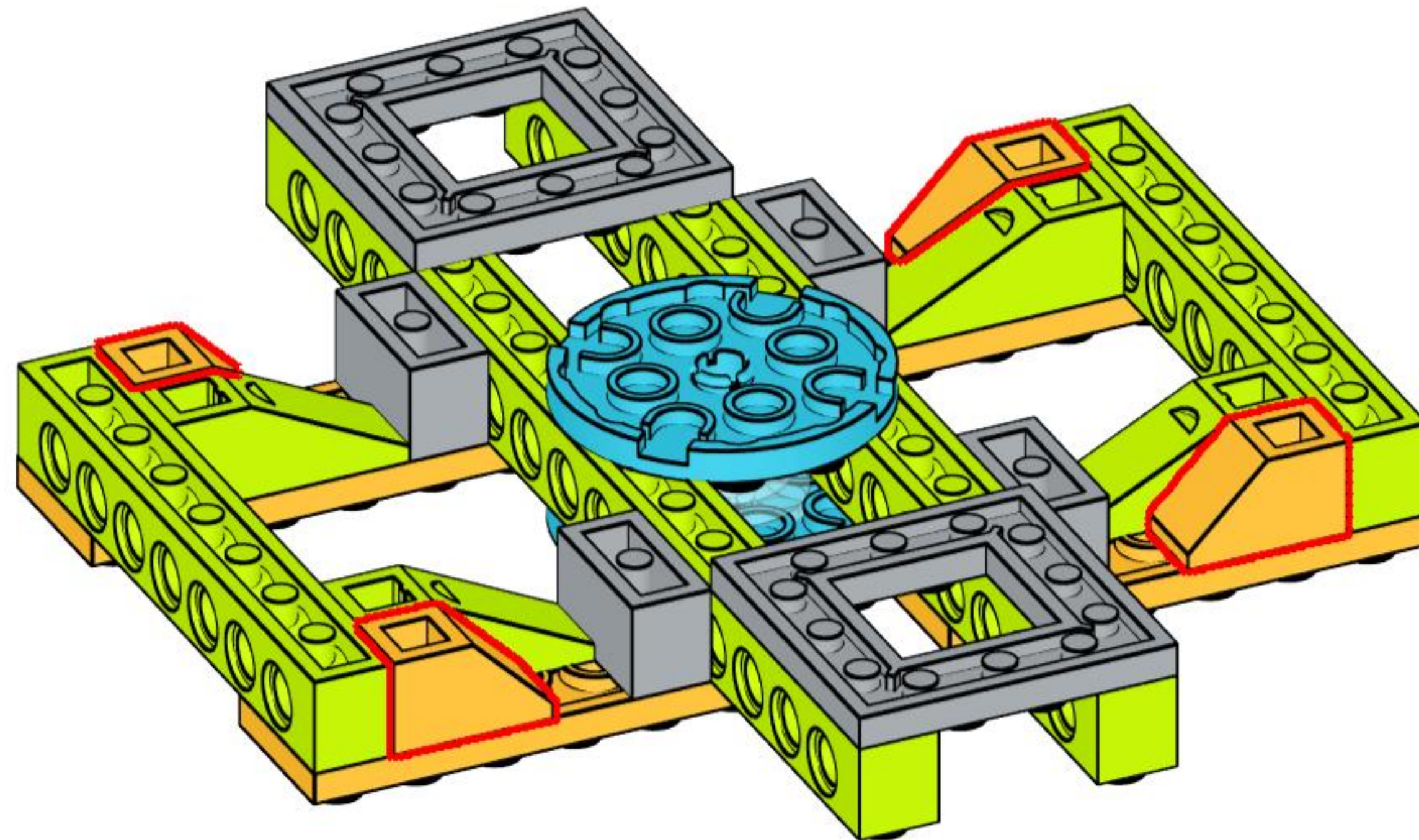
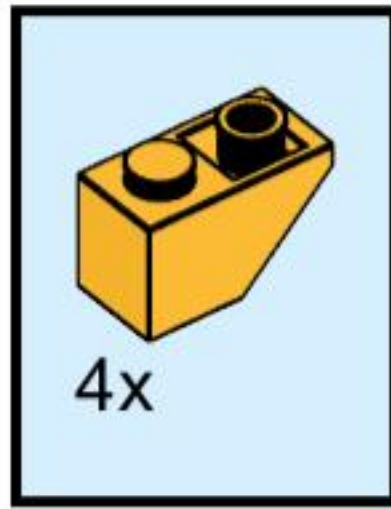
19



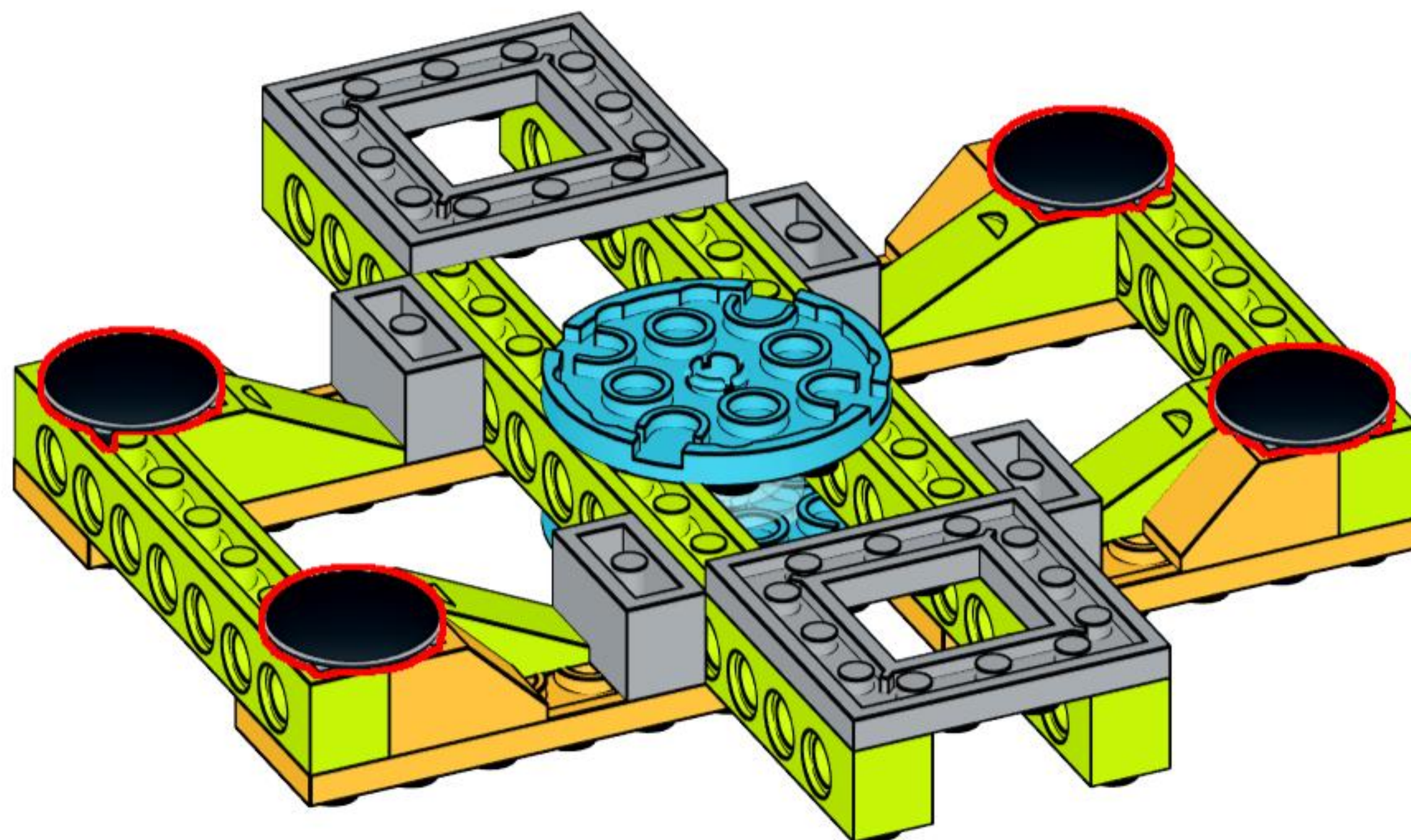
20



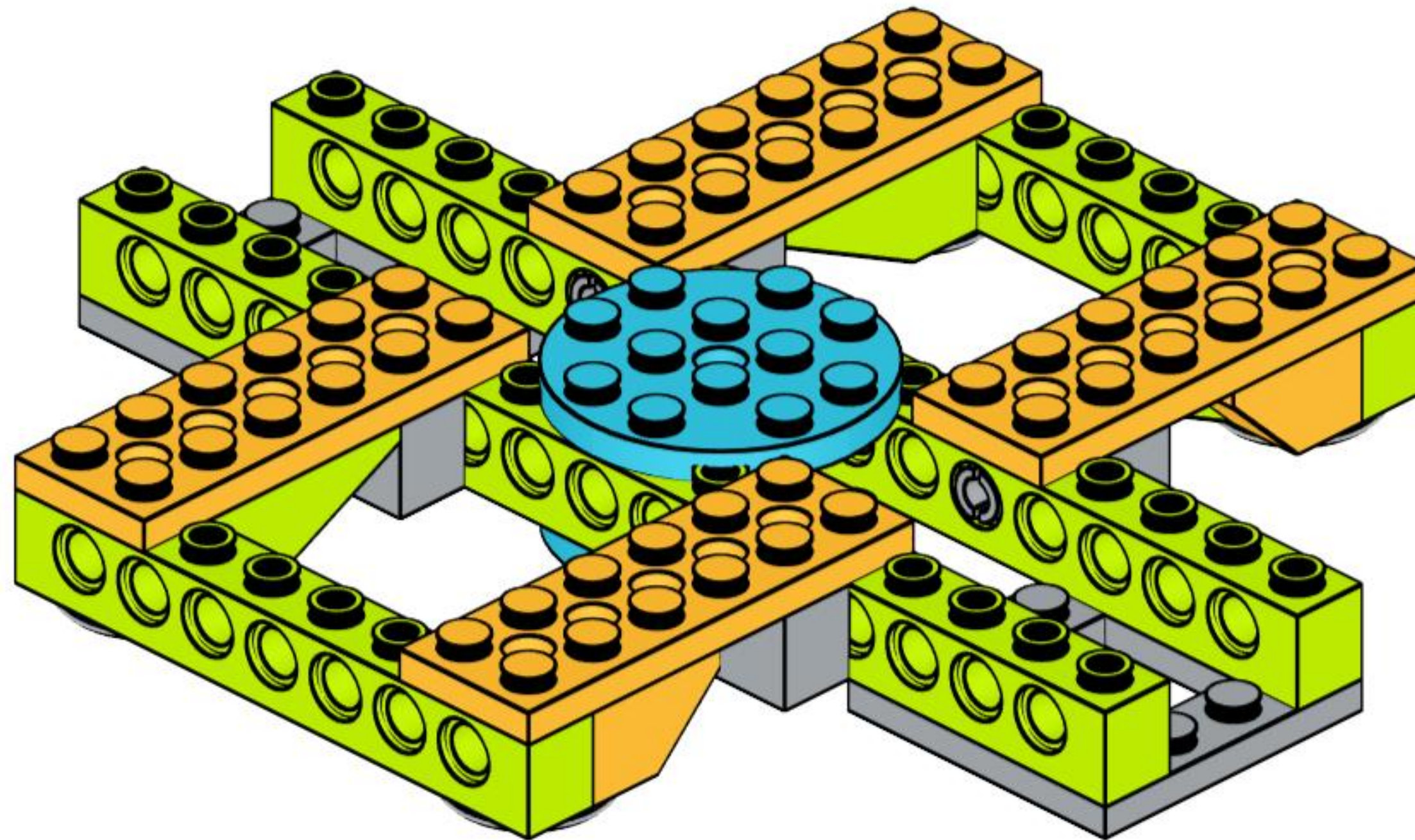
21



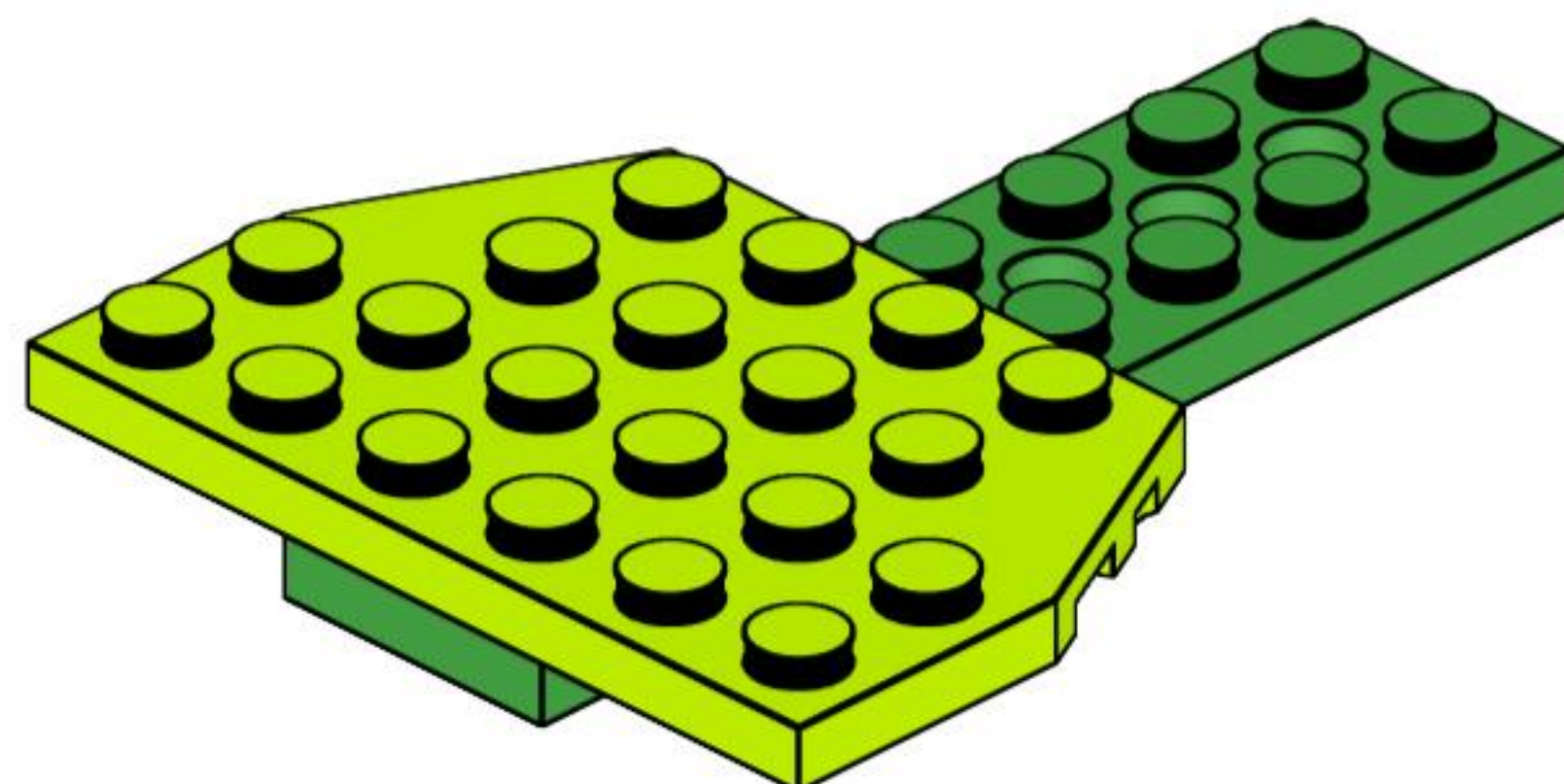
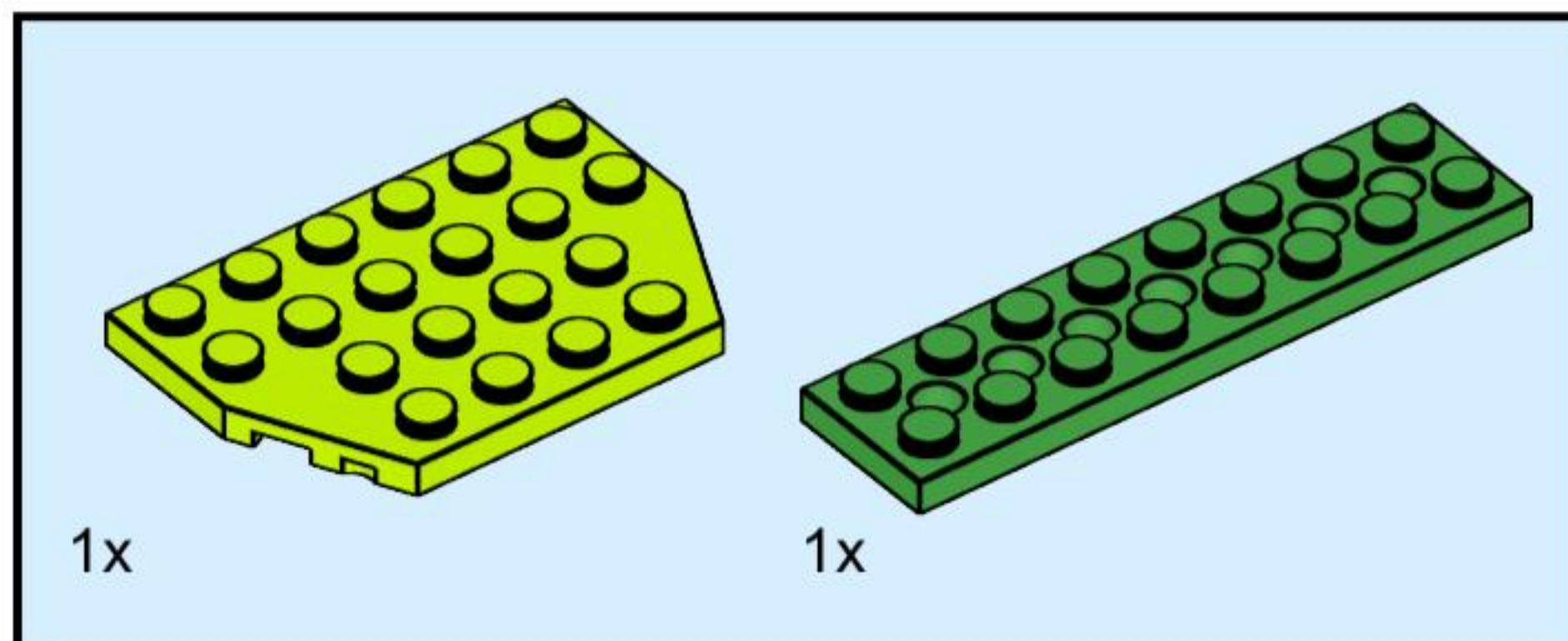
22



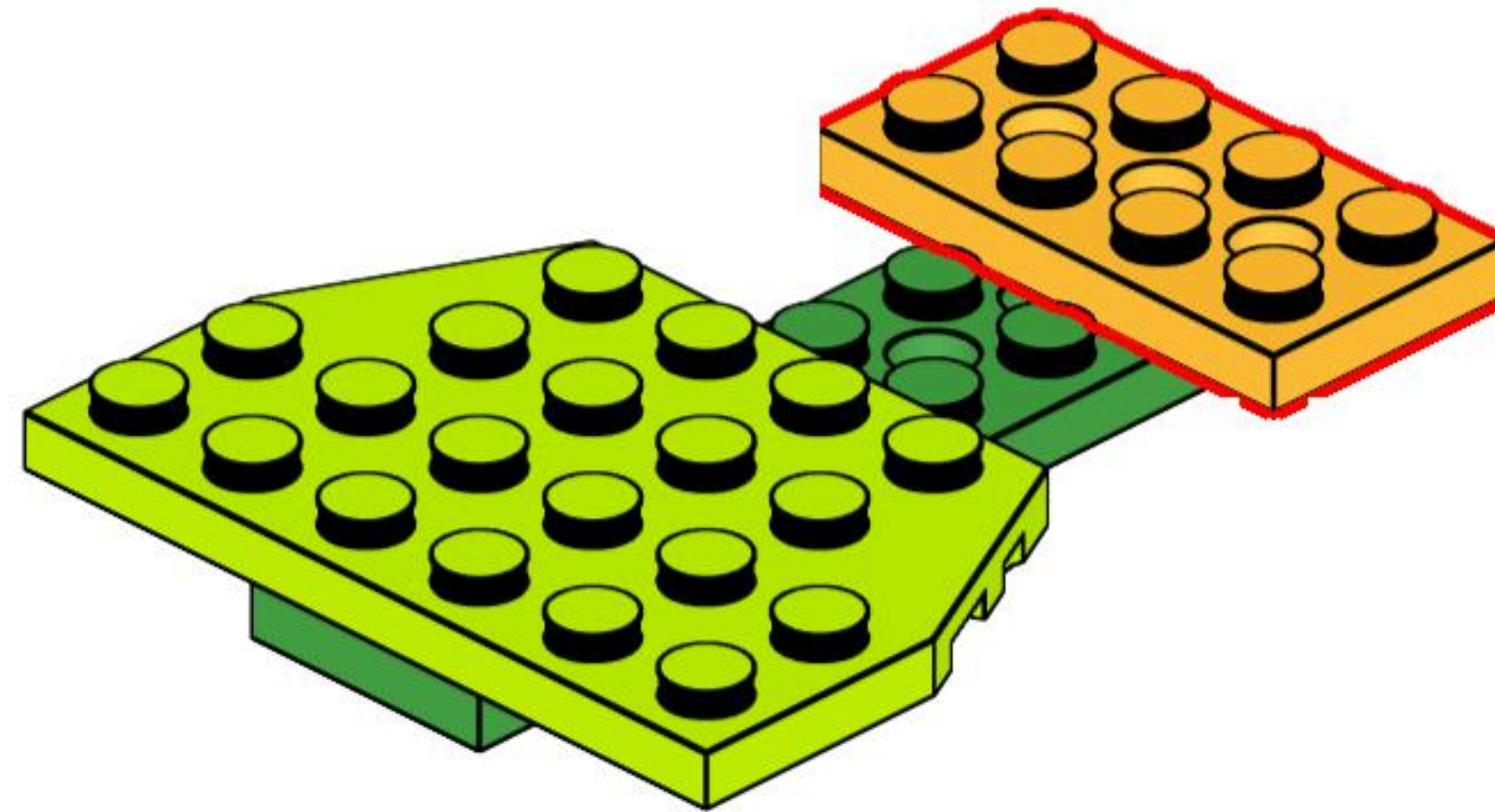
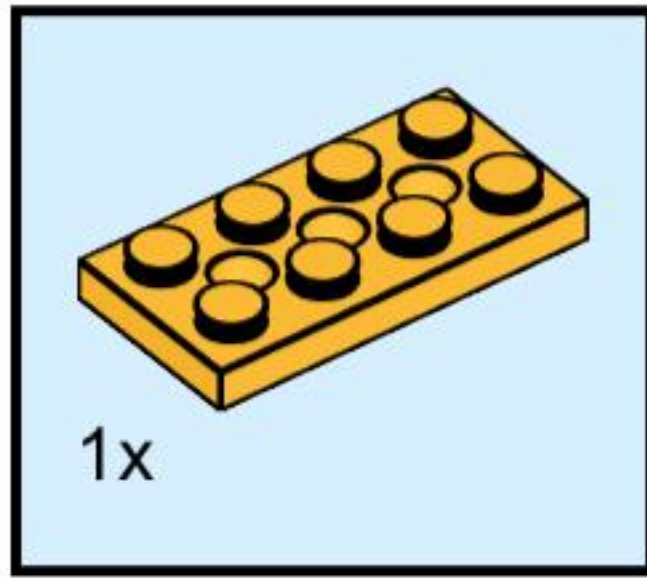
23



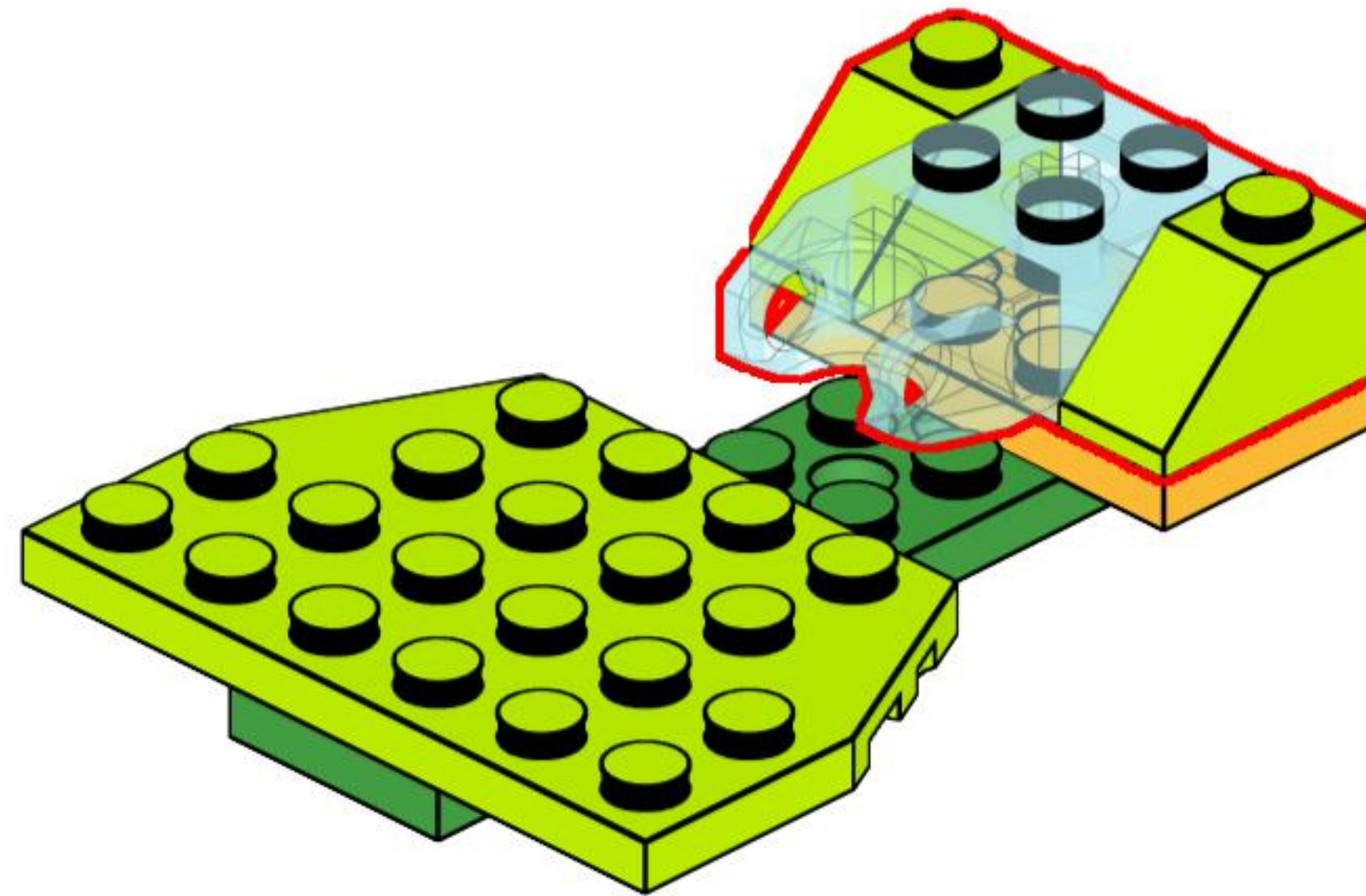
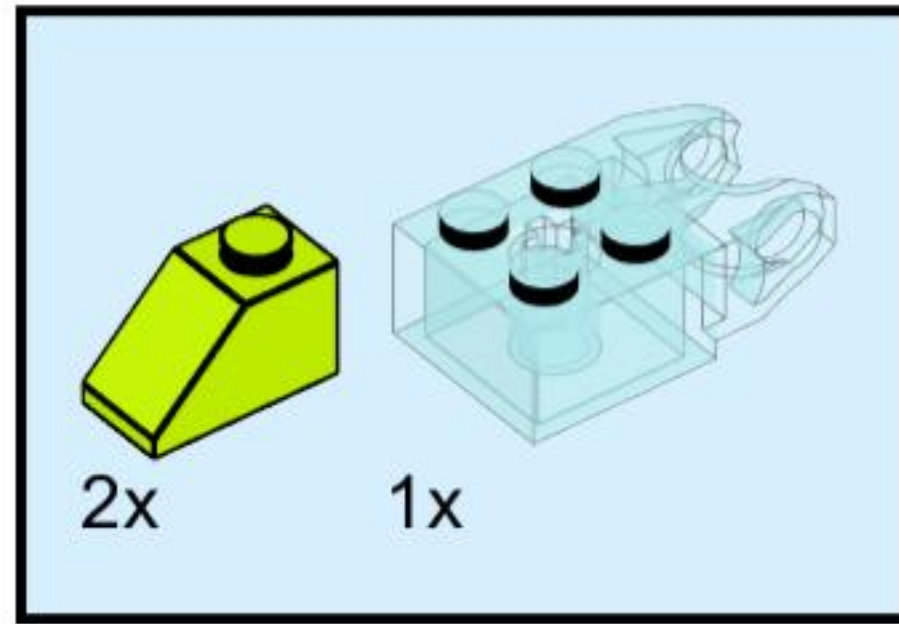
24



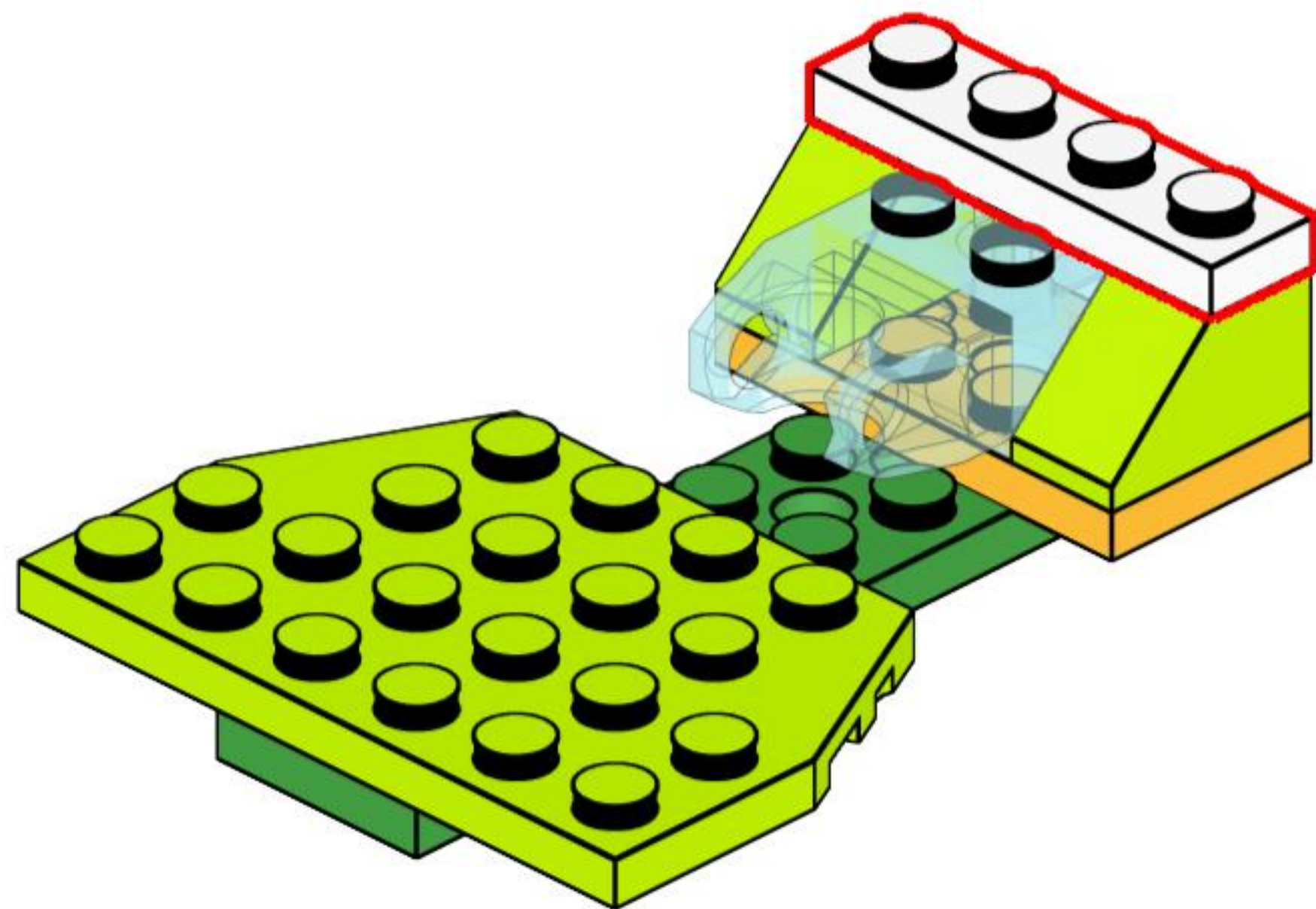
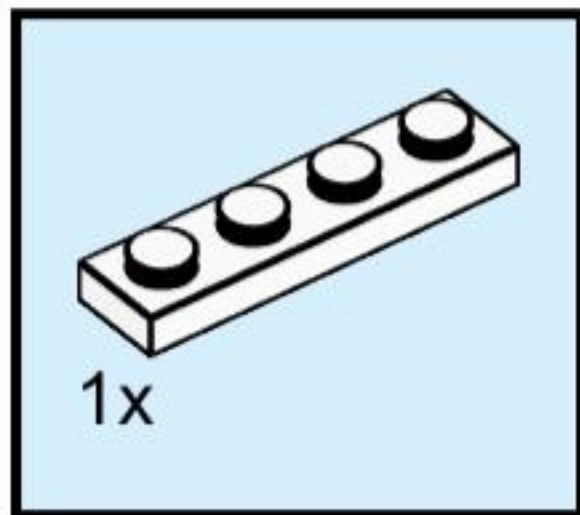
25



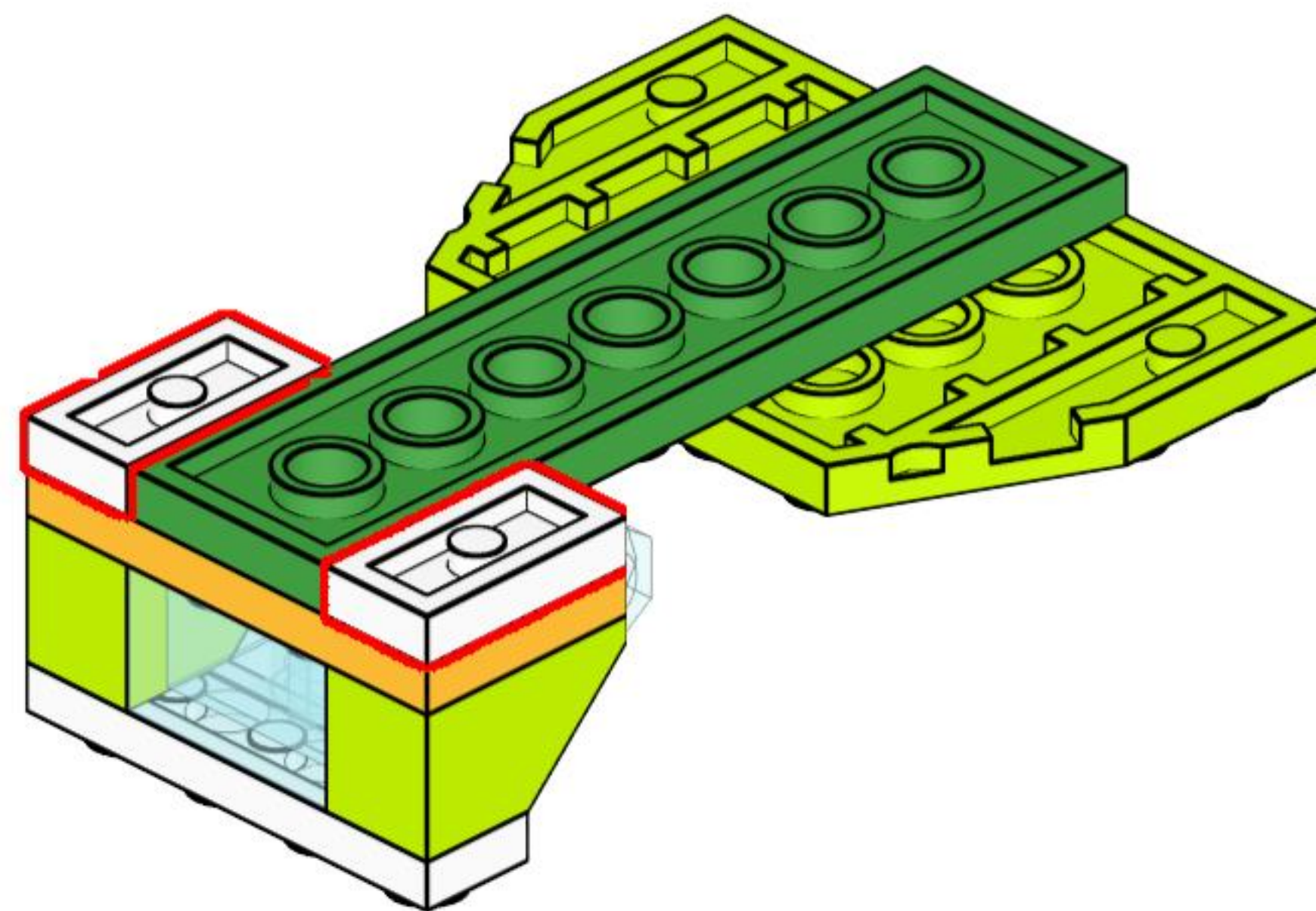
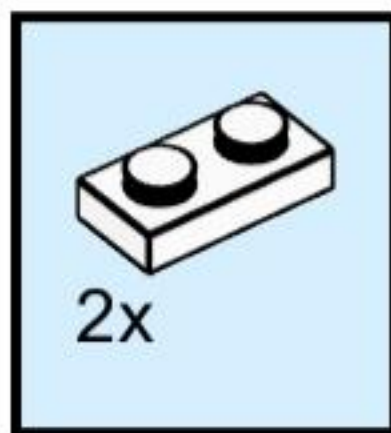
26



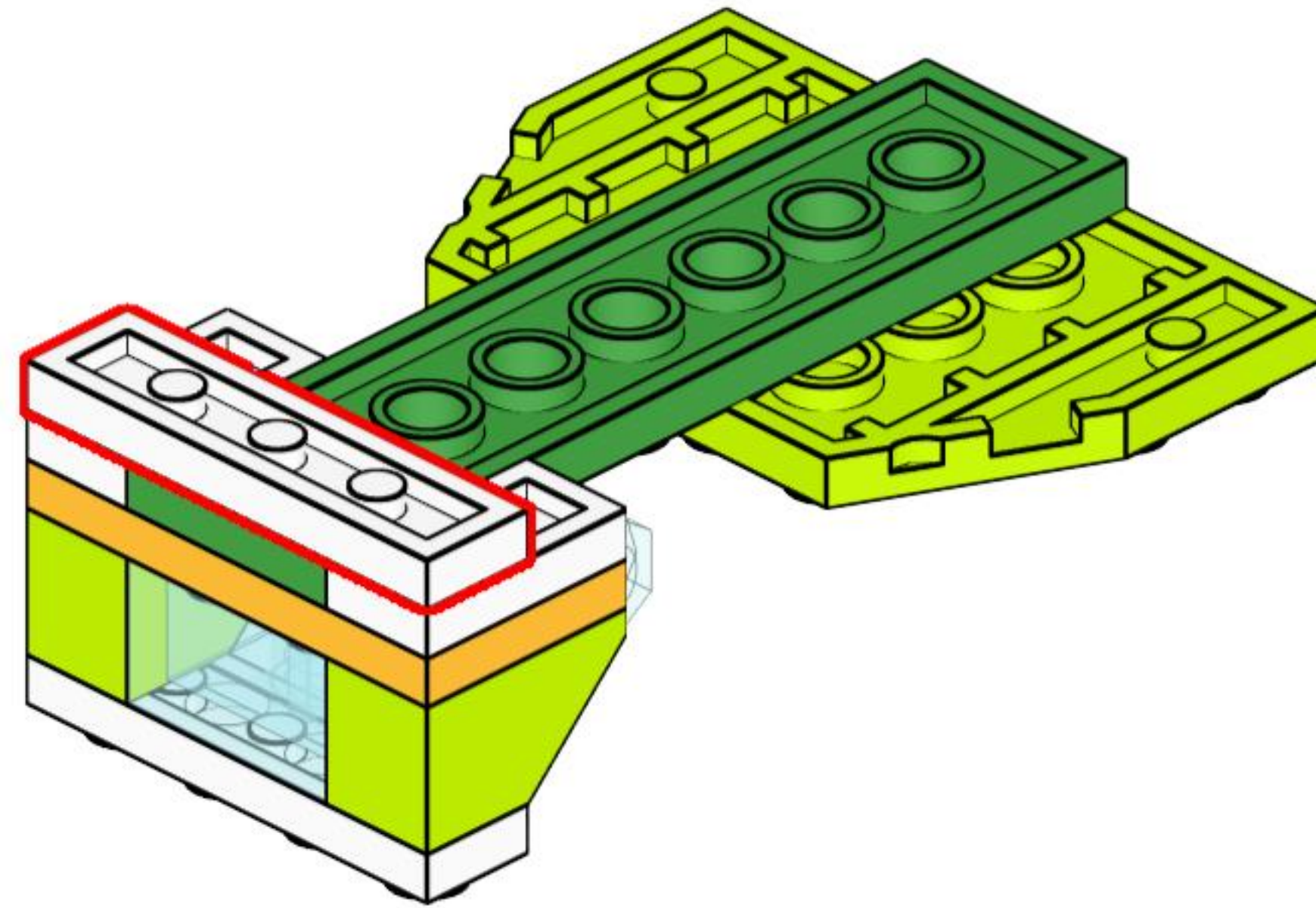
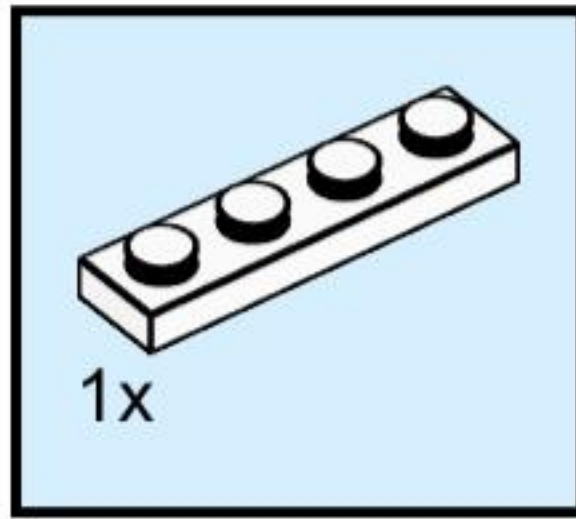
27



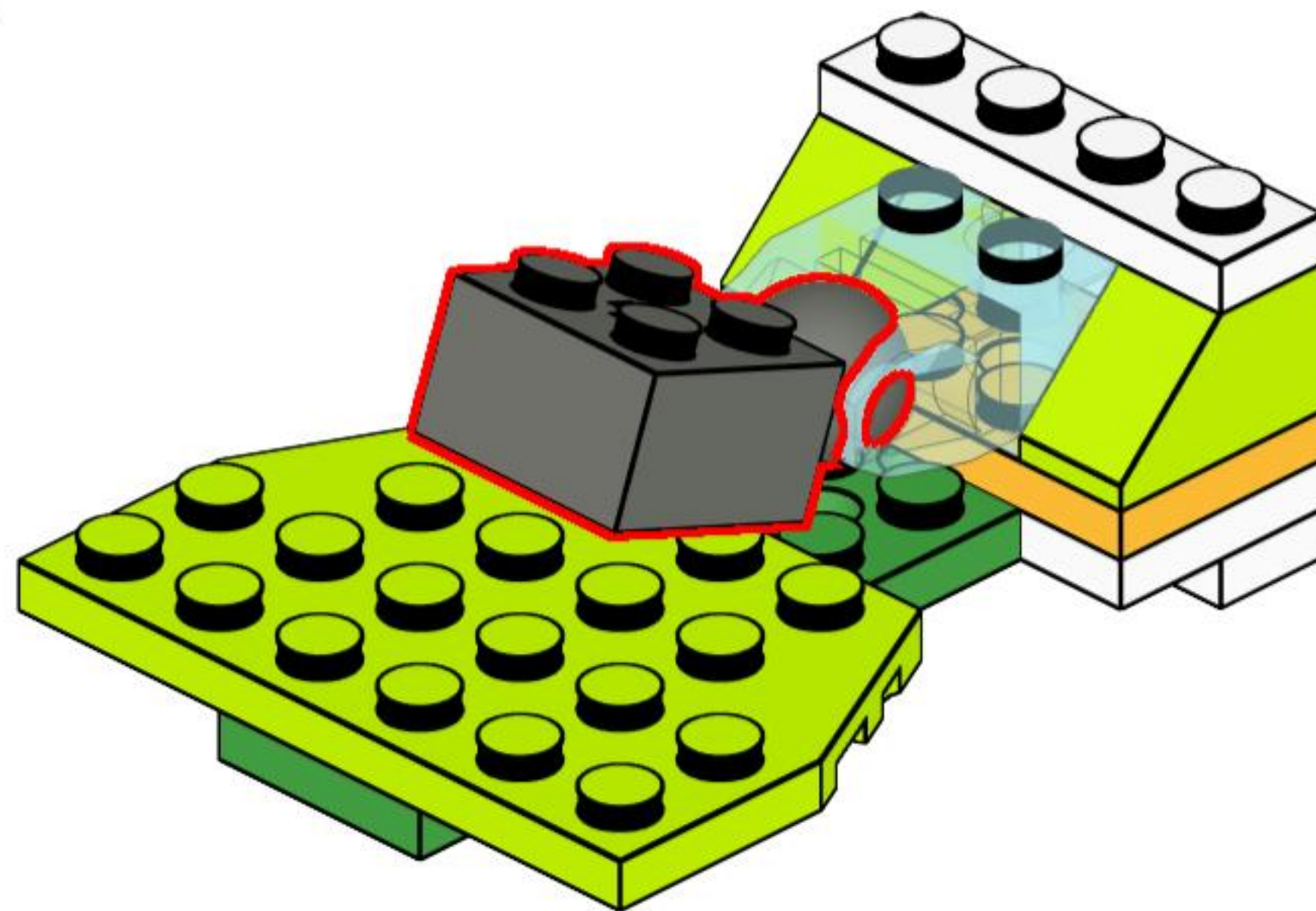
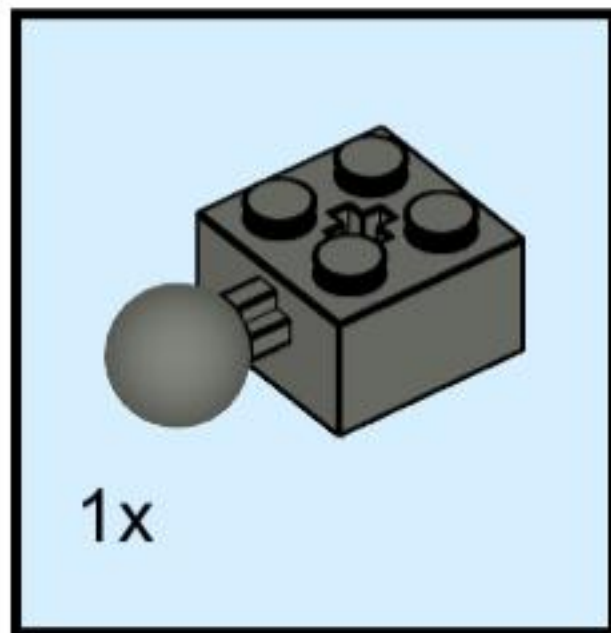
28



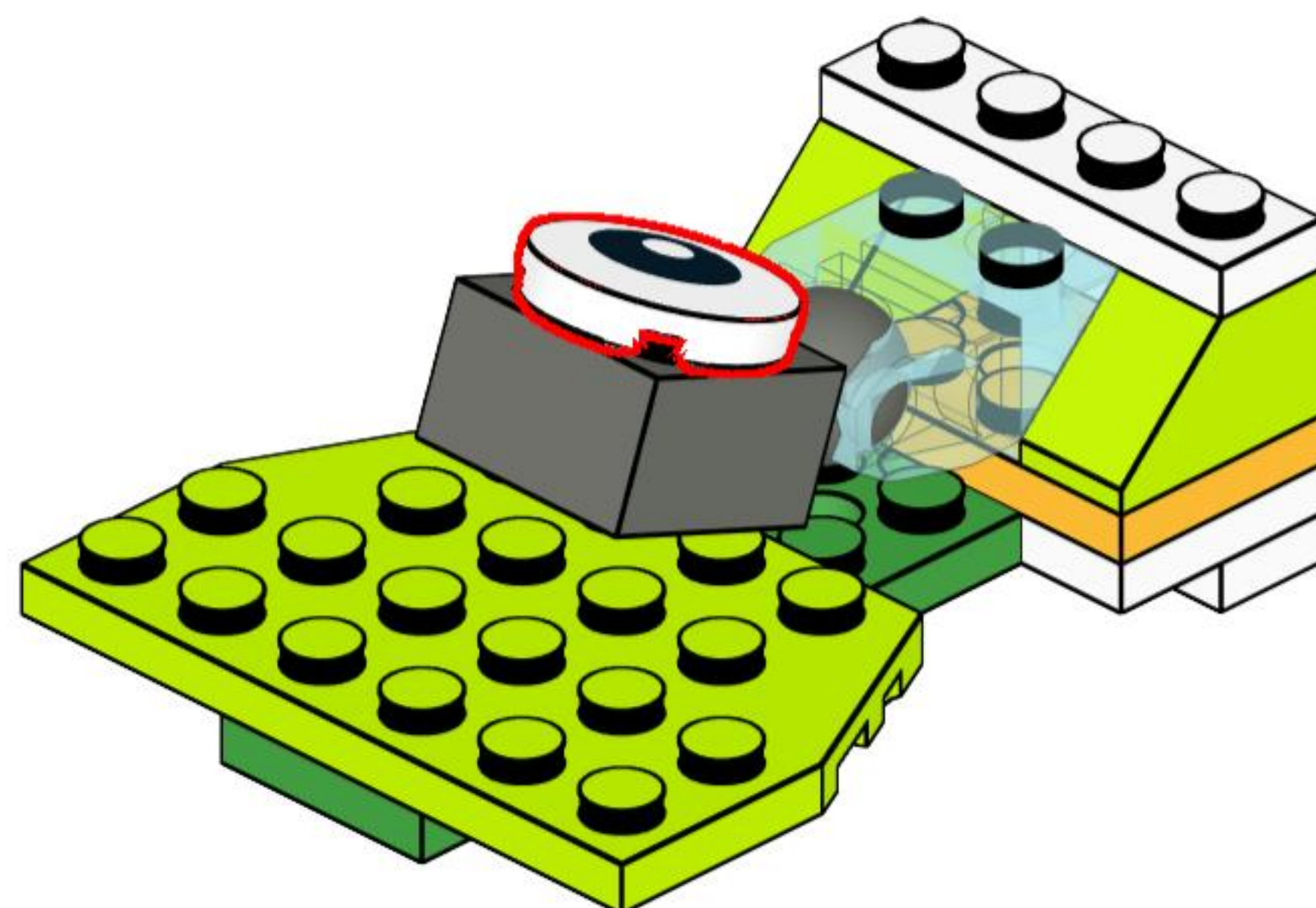
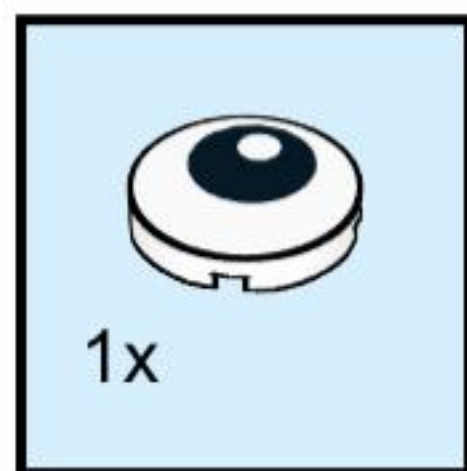
29



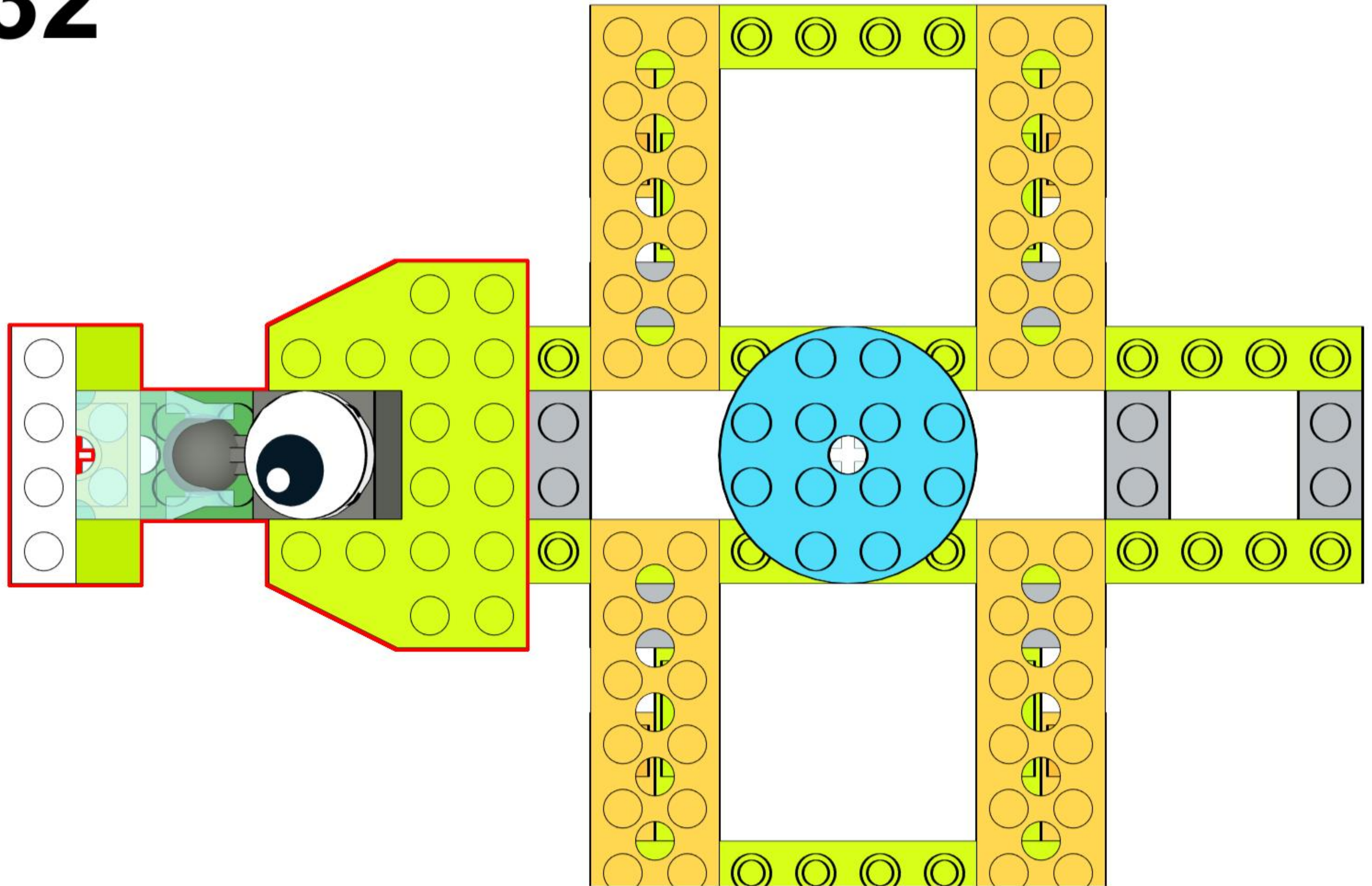
30



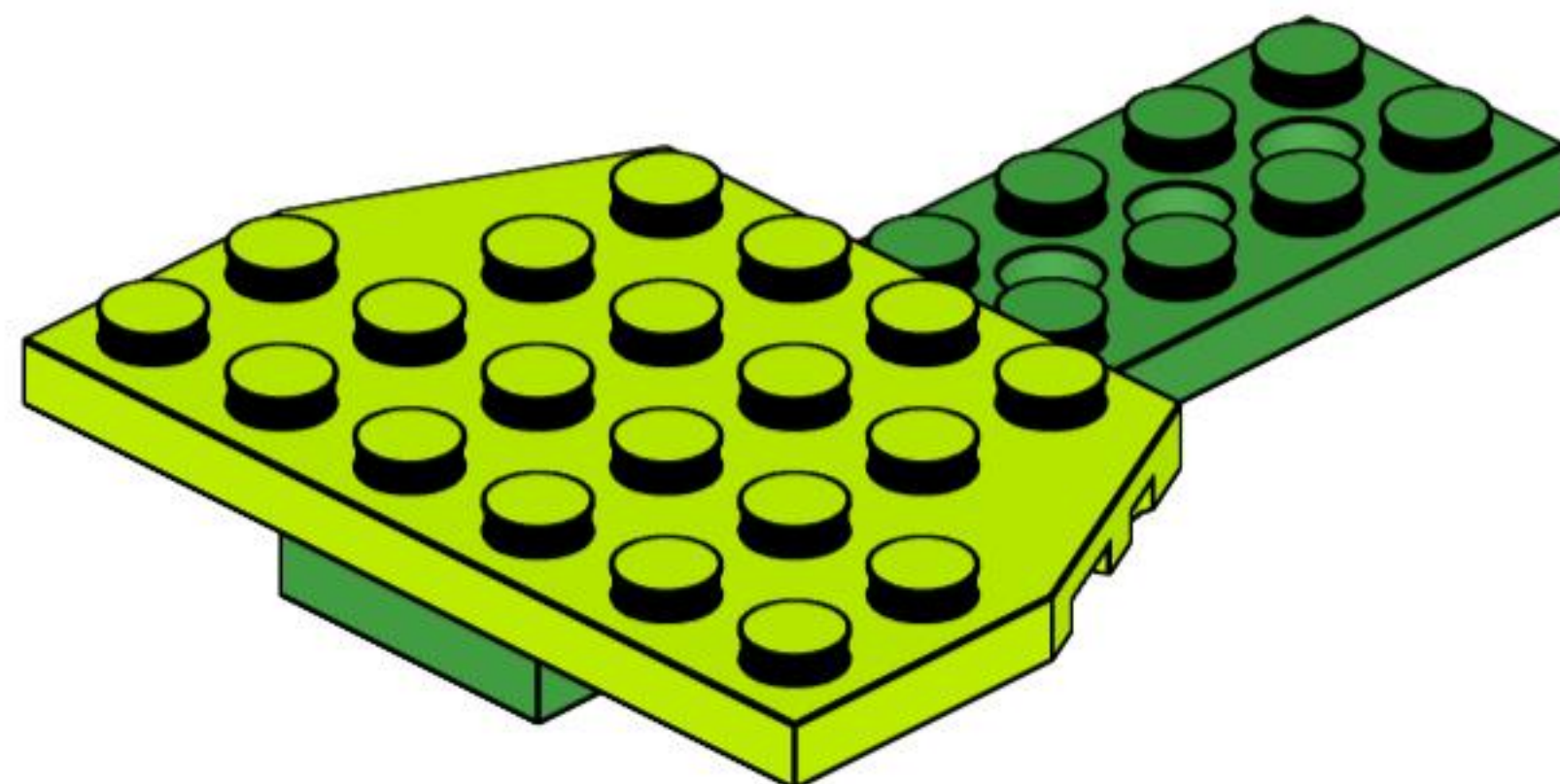
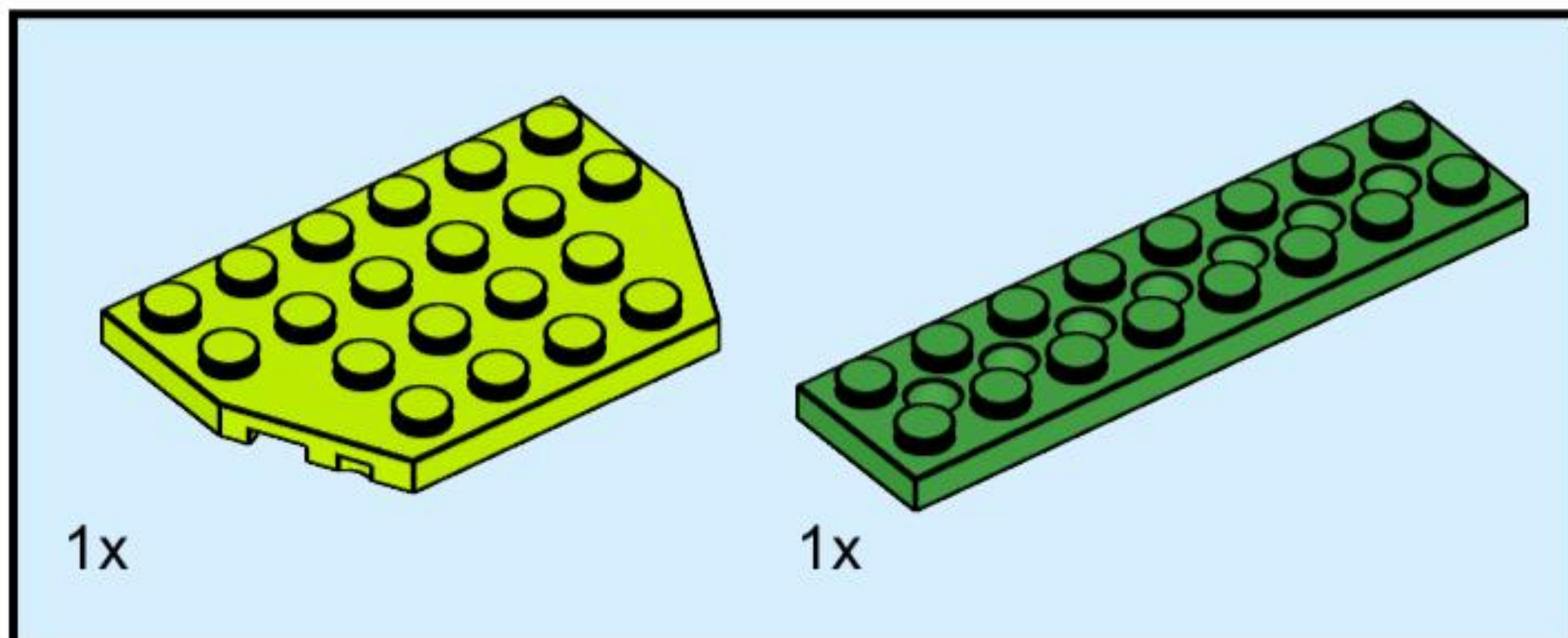
31



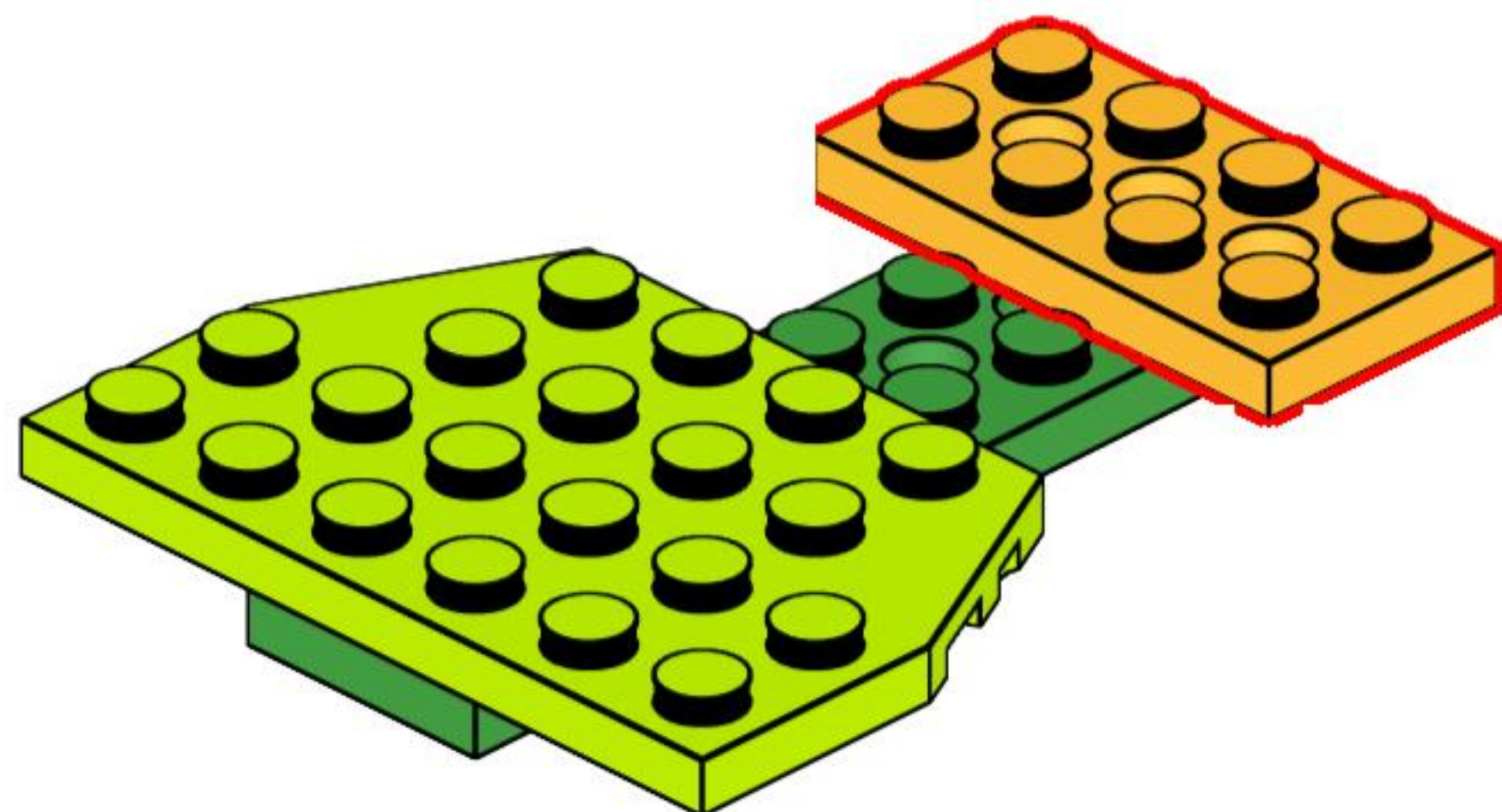
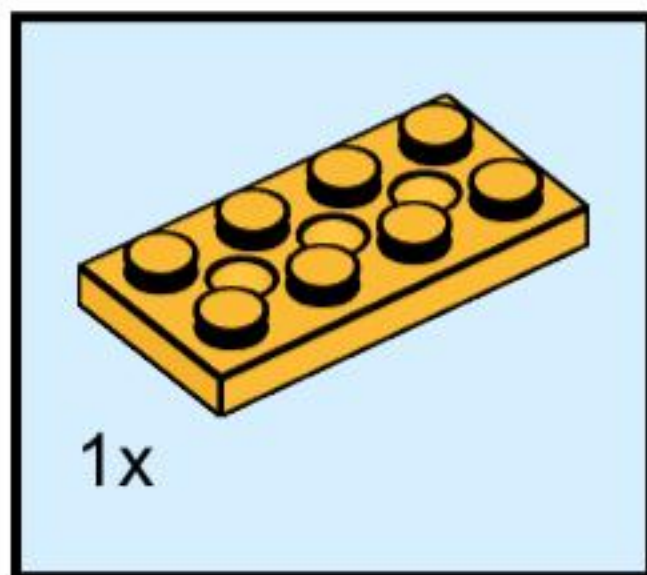
32



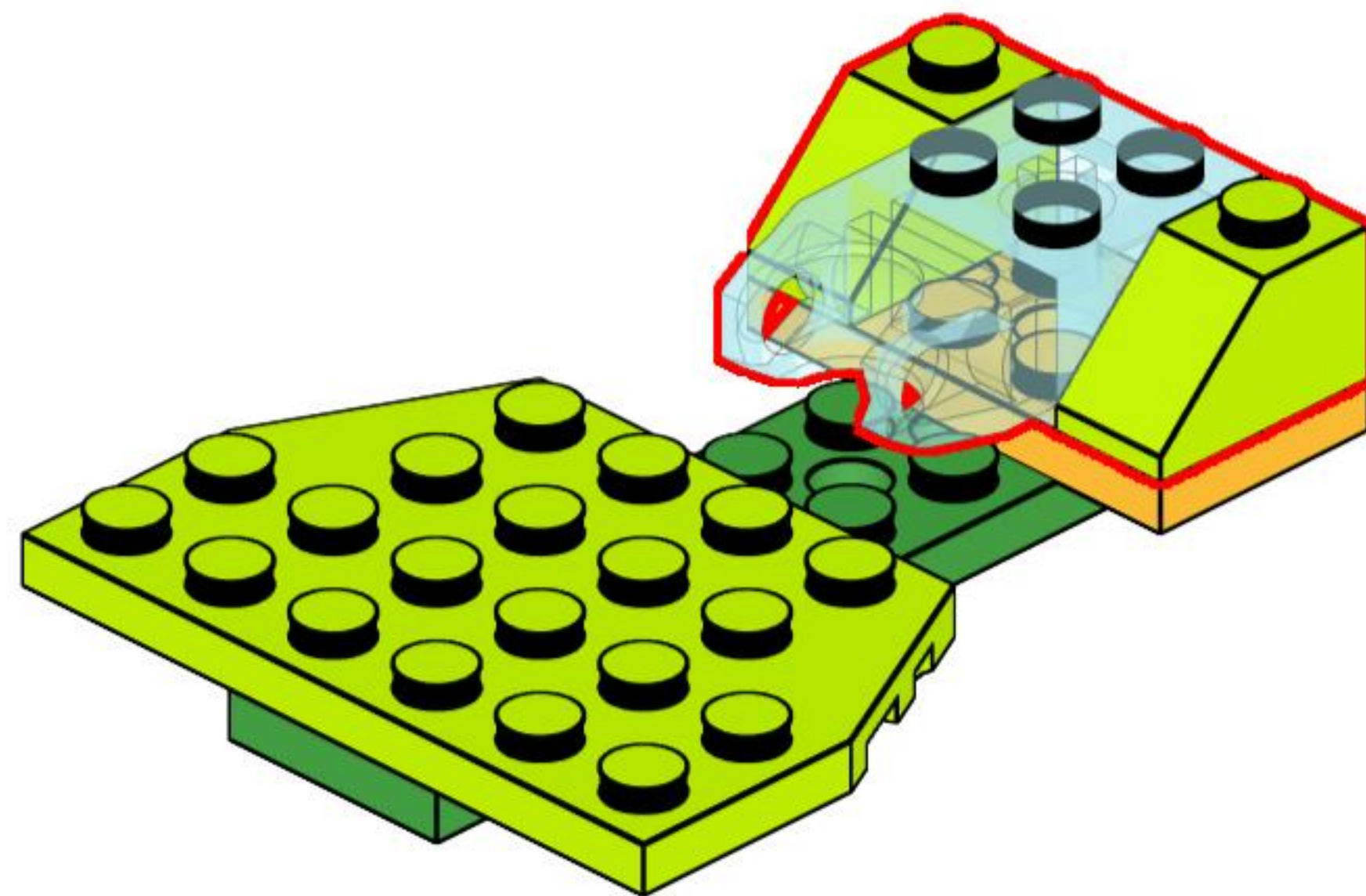
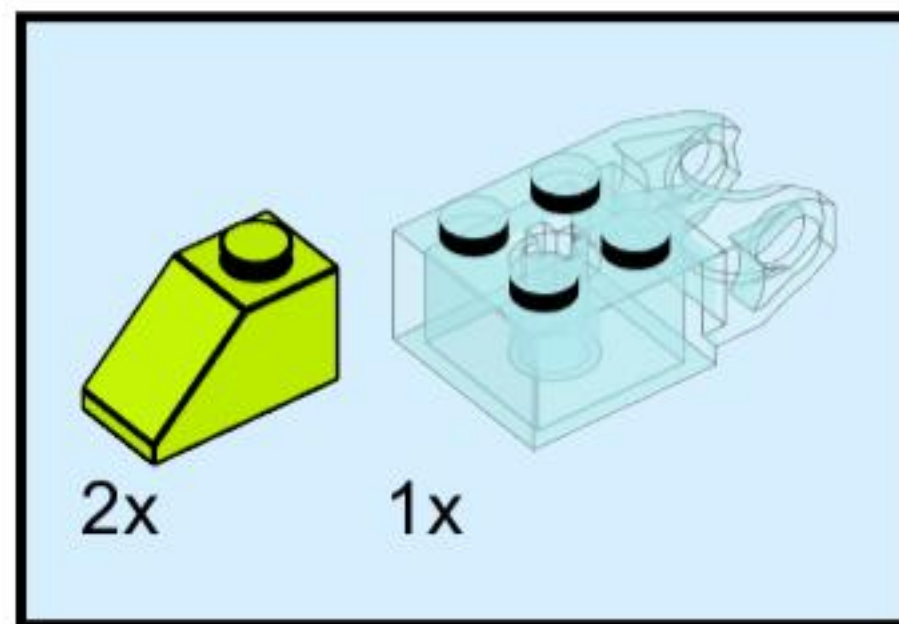
33



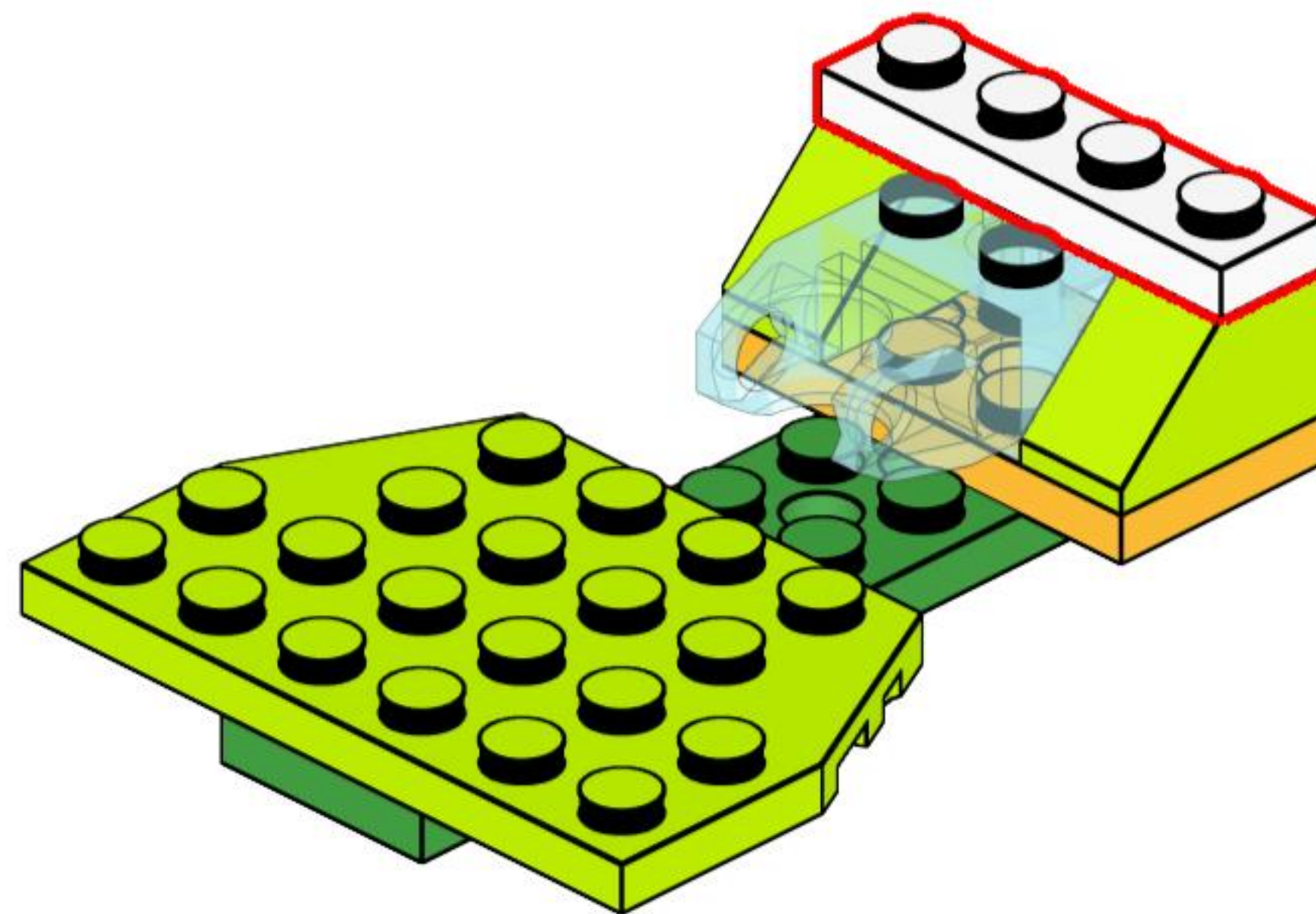
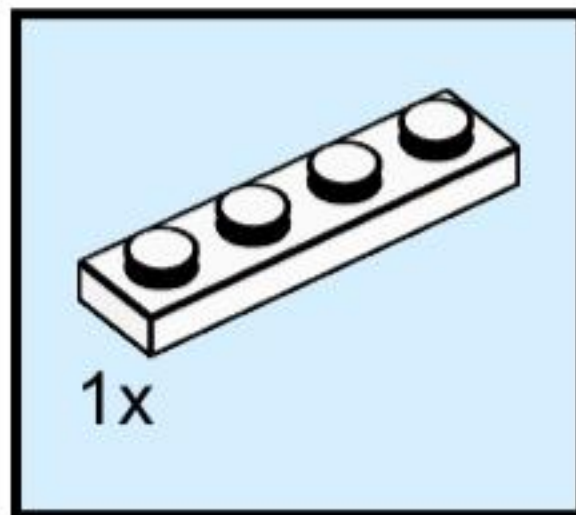
34



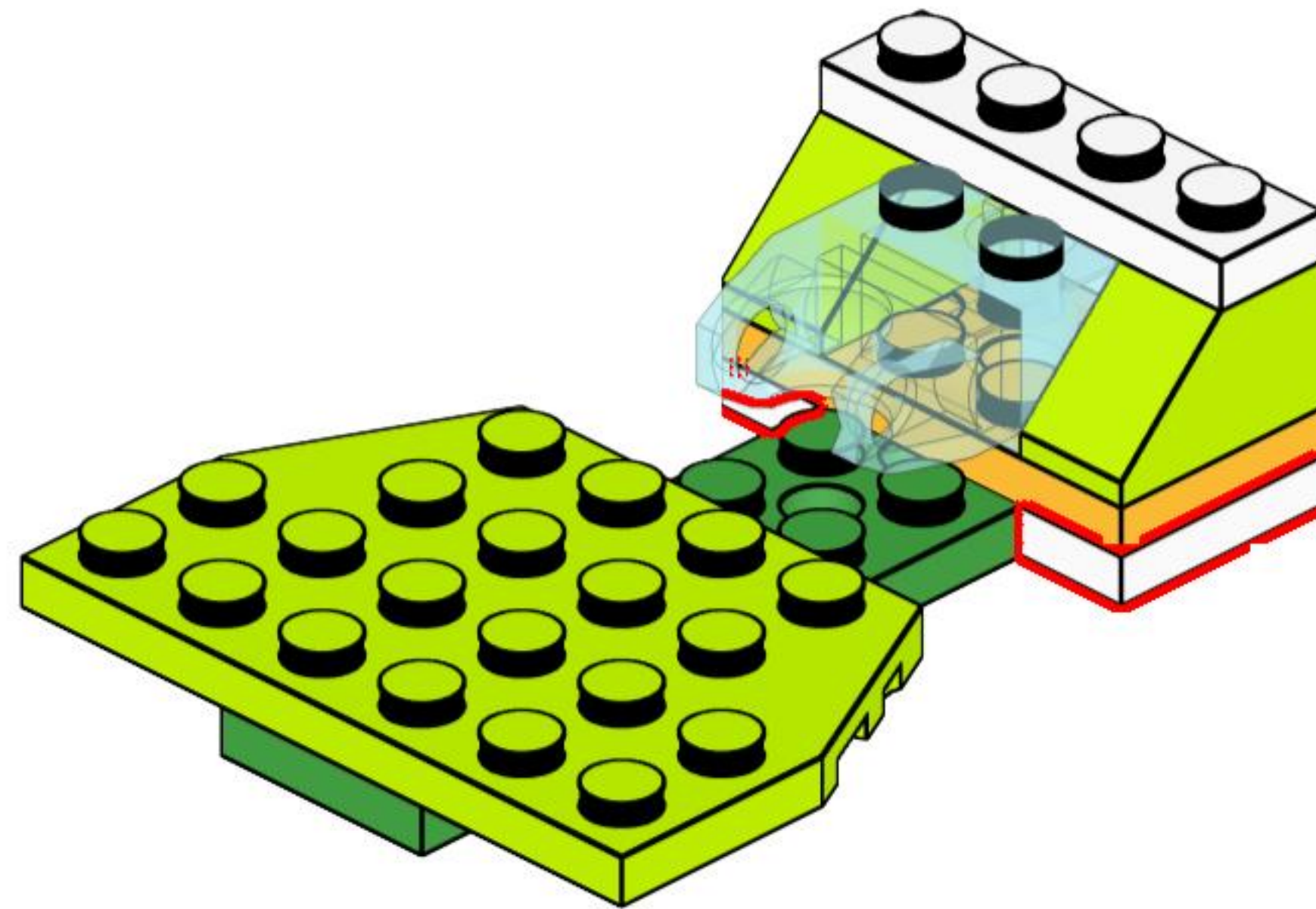
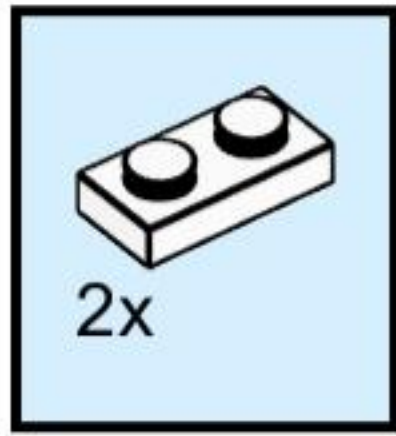
35



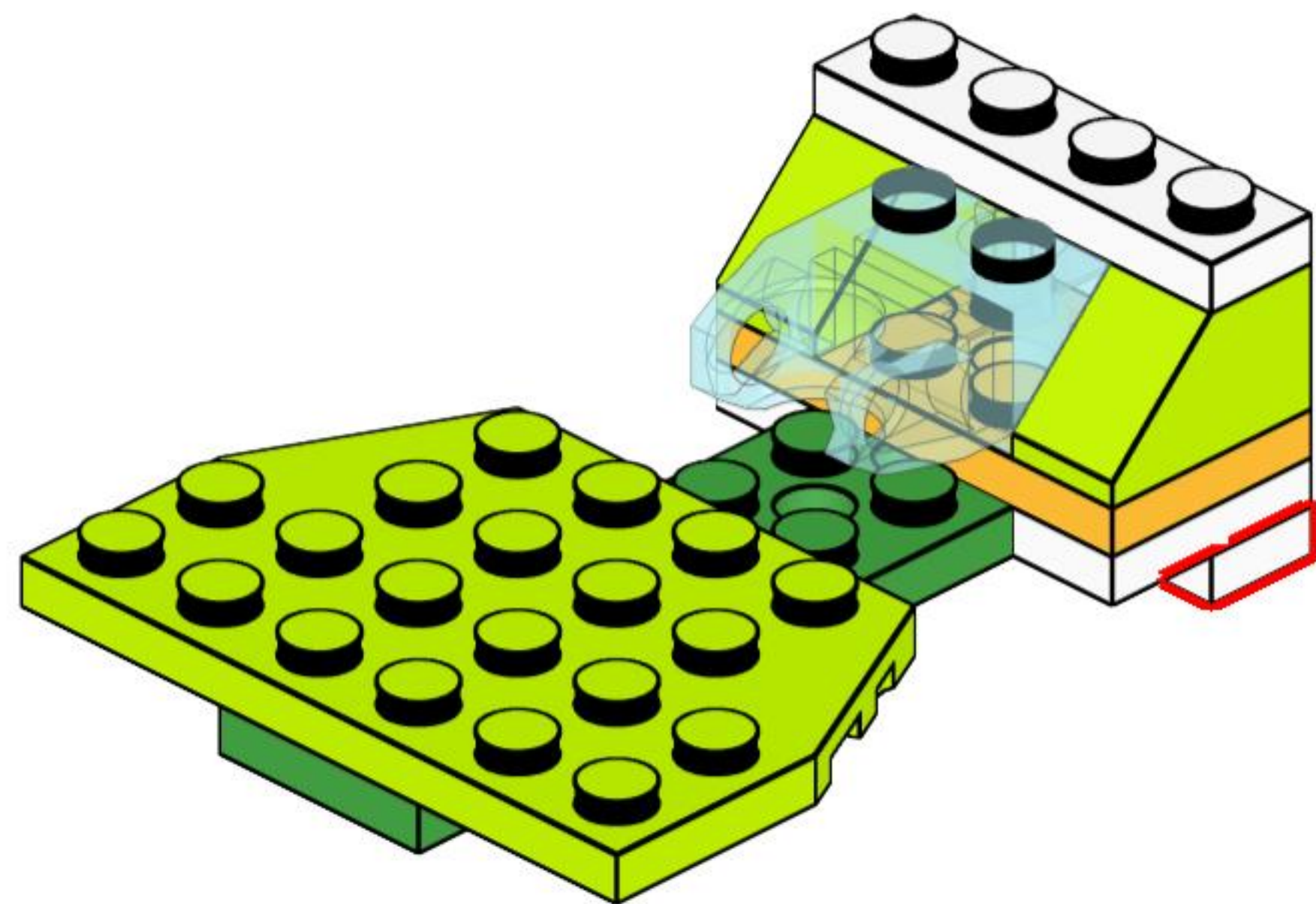
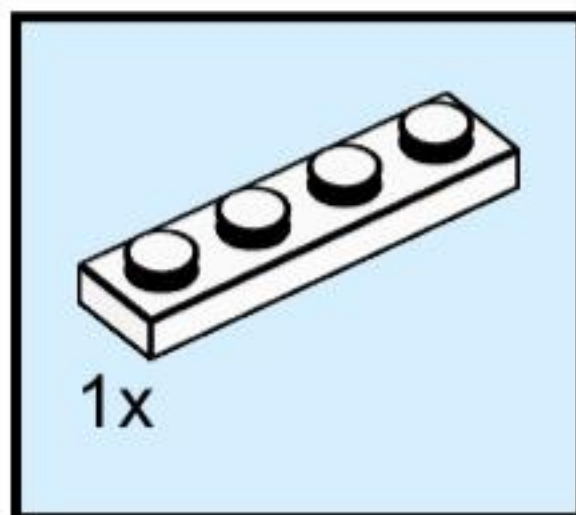
36



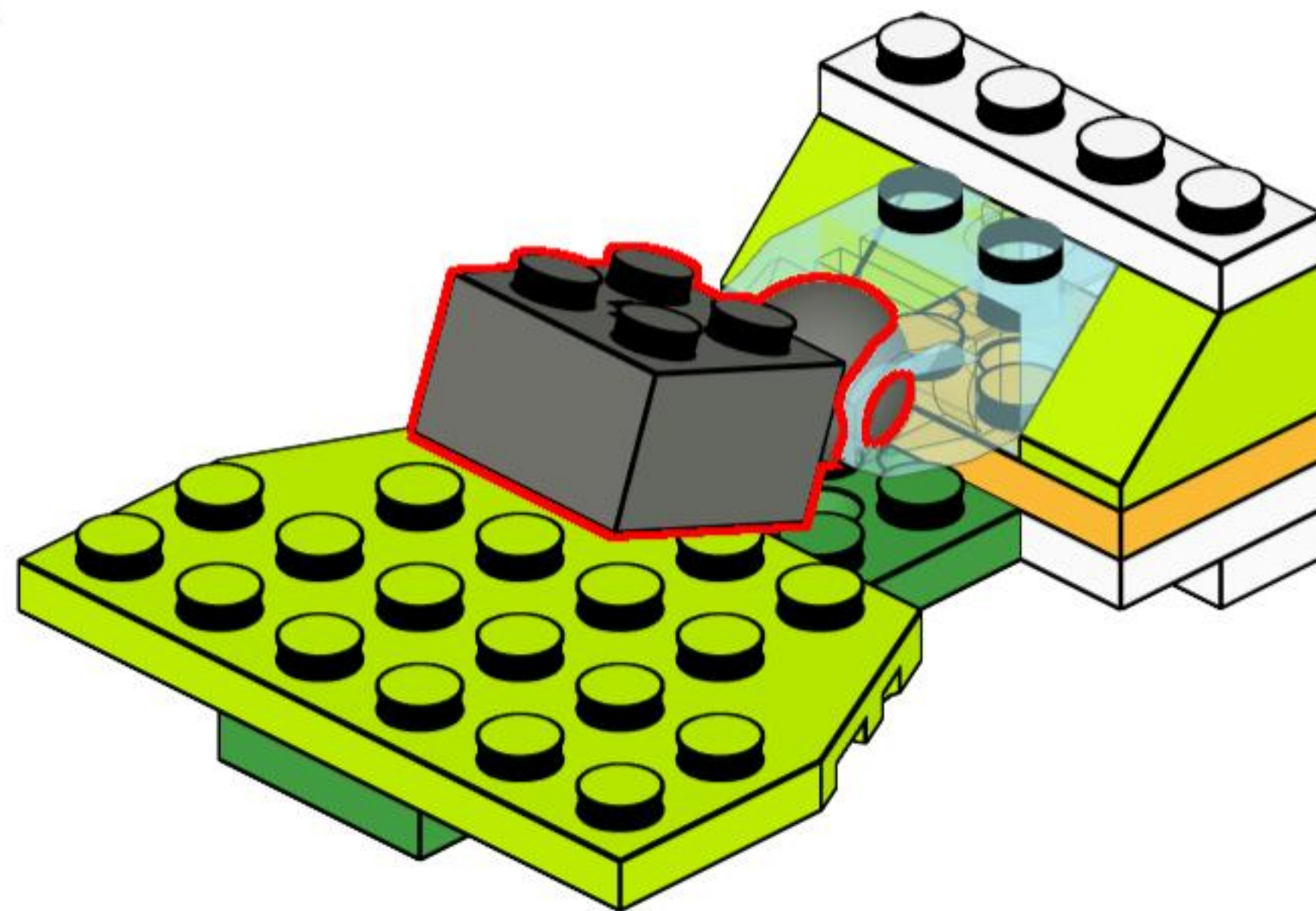
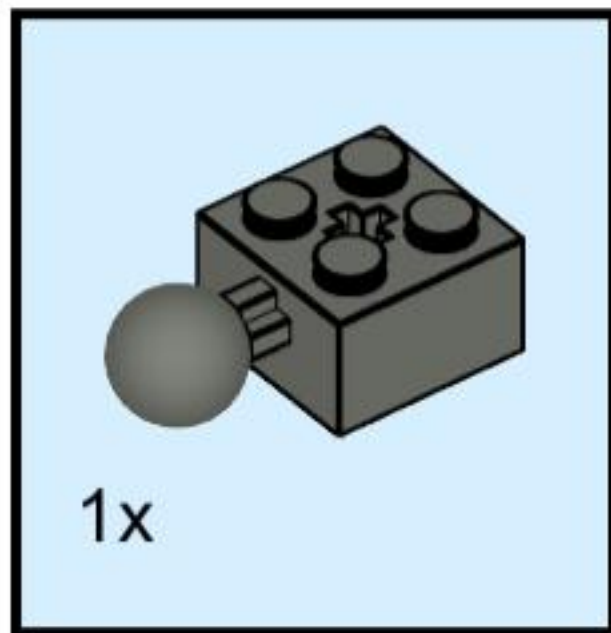
37



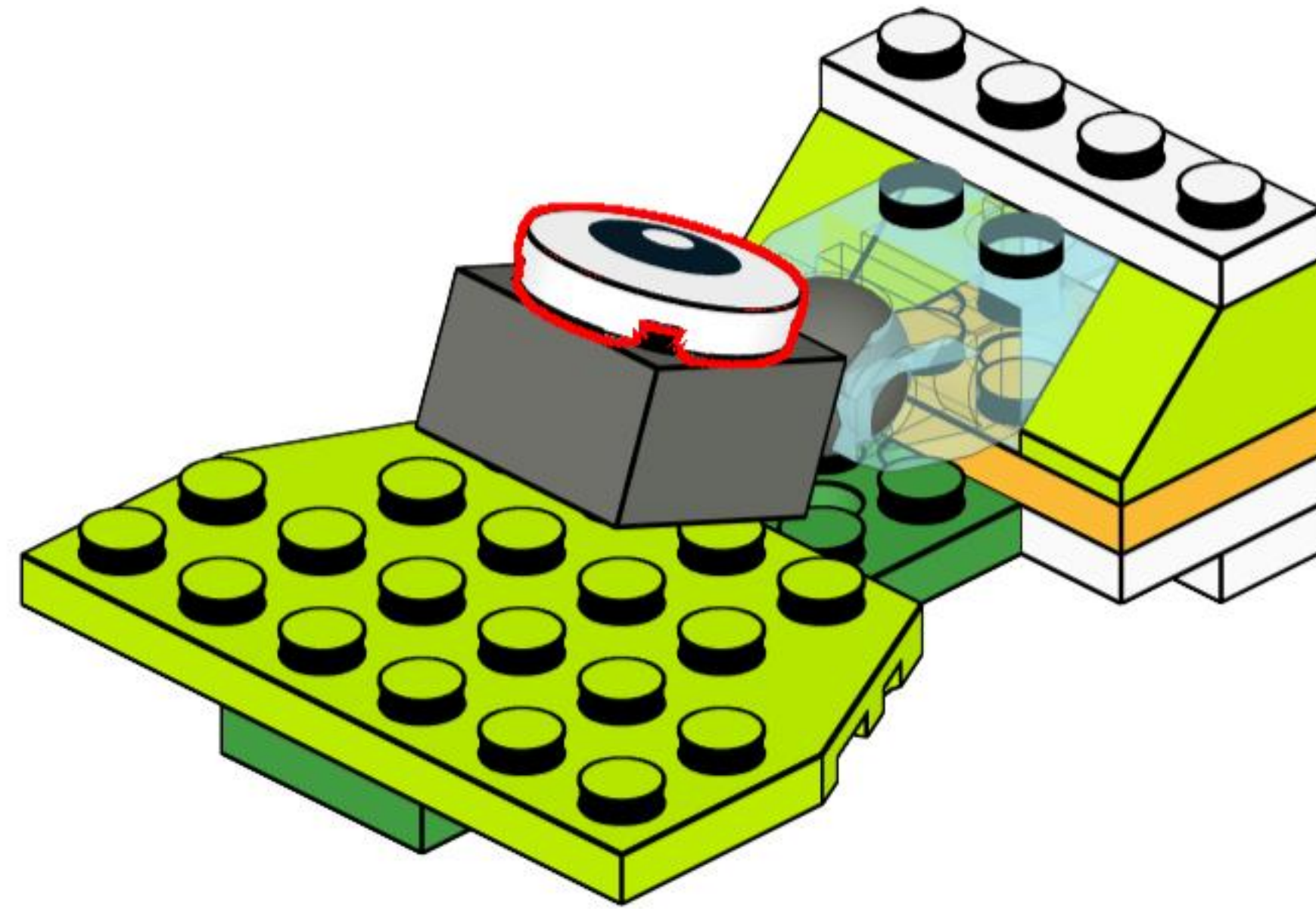
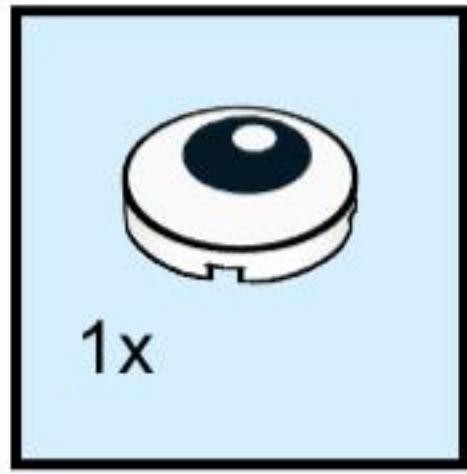
38



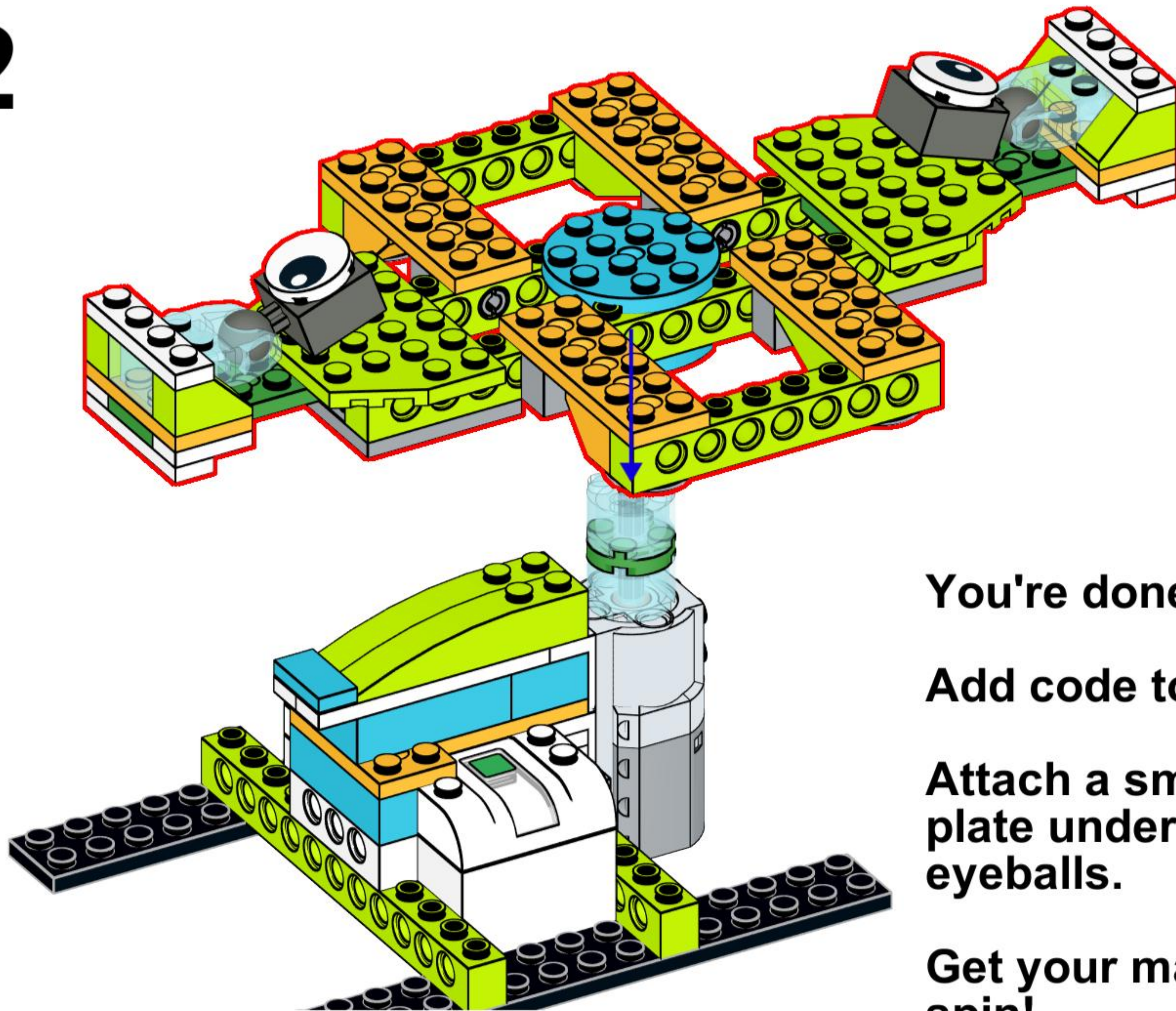
39



40



42



You're done.

Add code to spin.

Attach a small paper plate under the two eyeballs.

Get your marker and spin!

Parts List: Spin Art Machine

