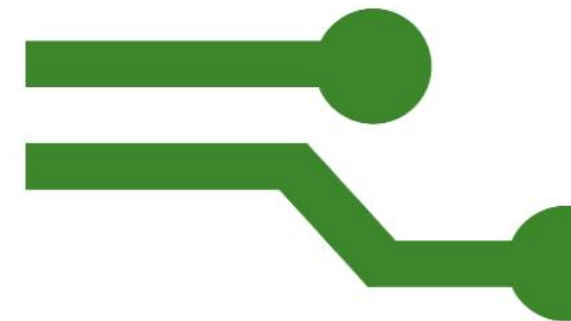
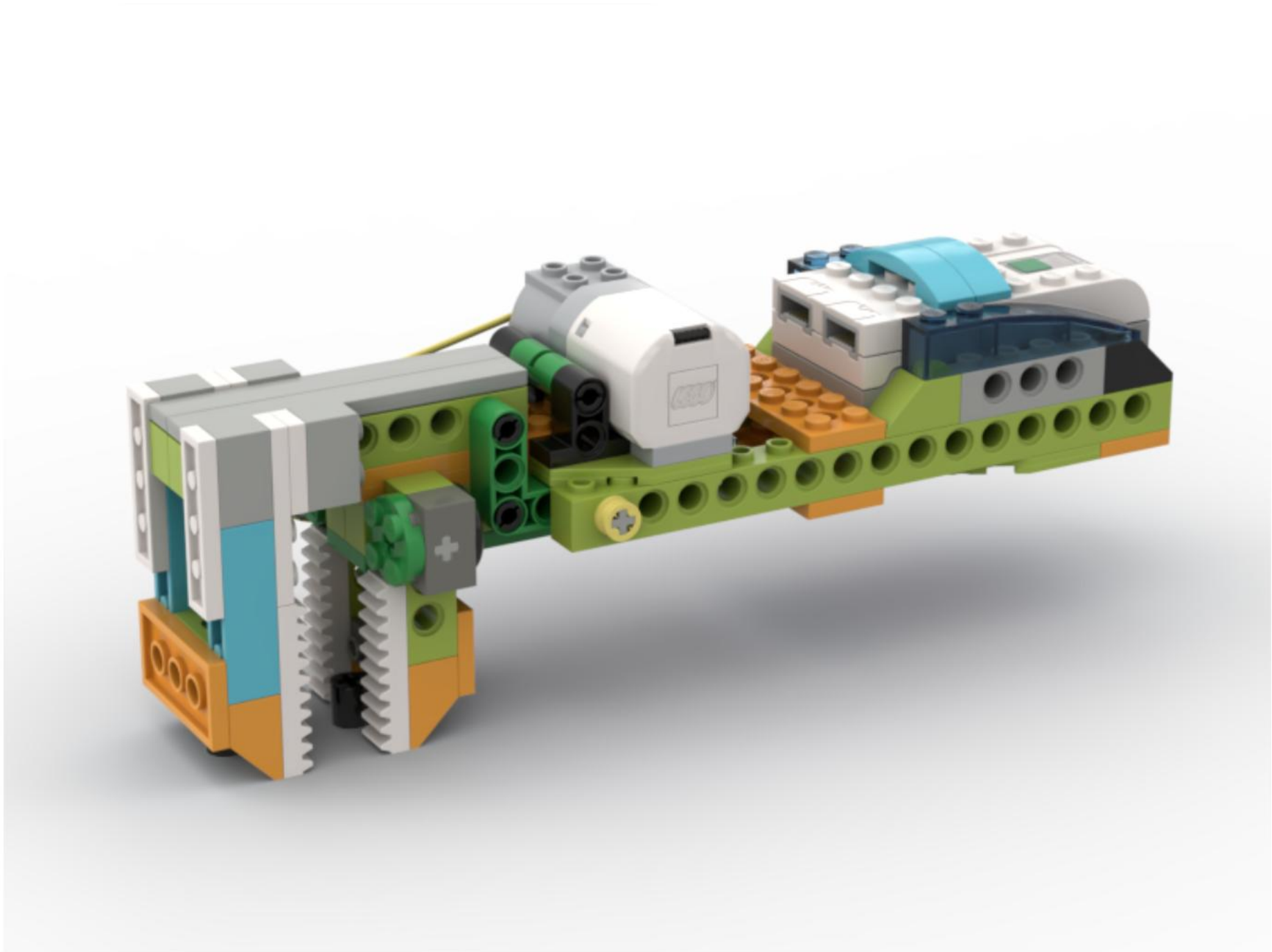




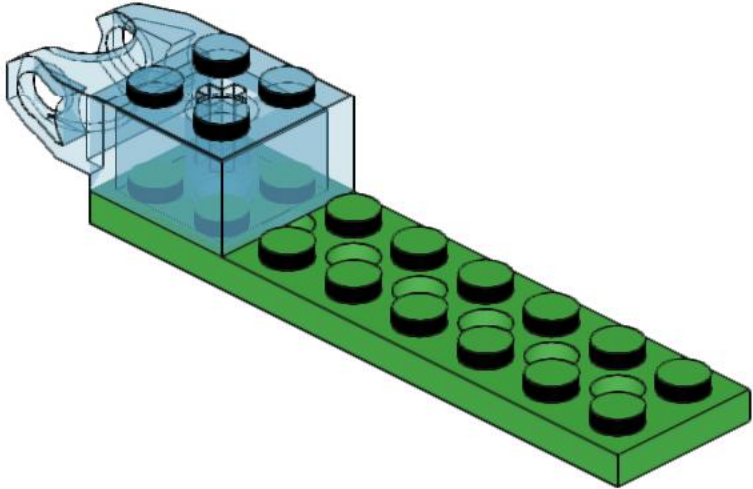
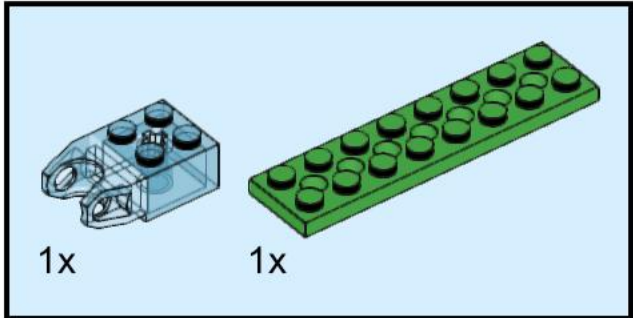
ROBOTIC ARM

Building instruction
for kit Lego Wedo 2.0

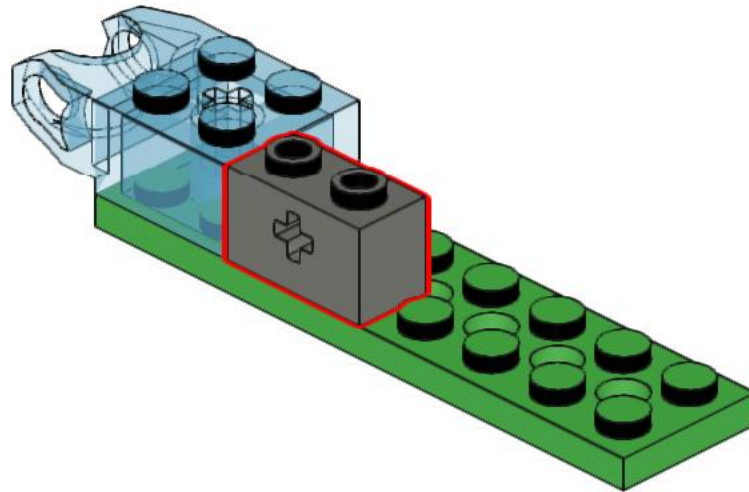
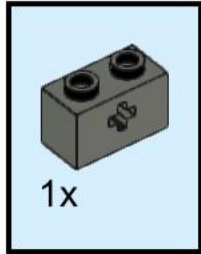




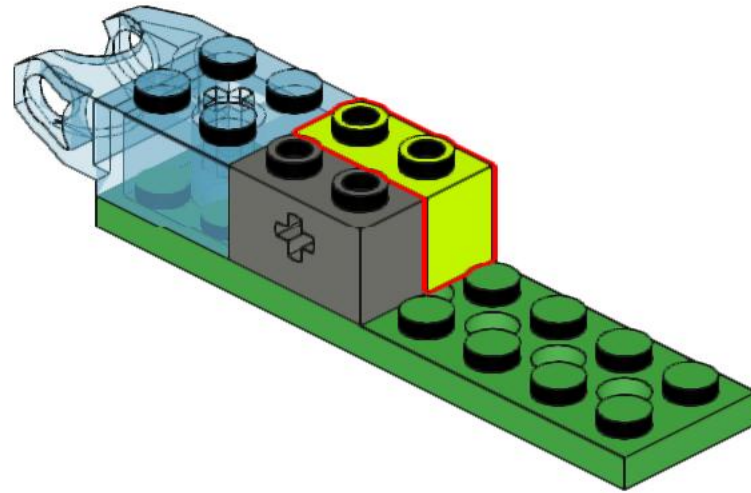
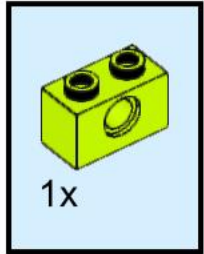
1



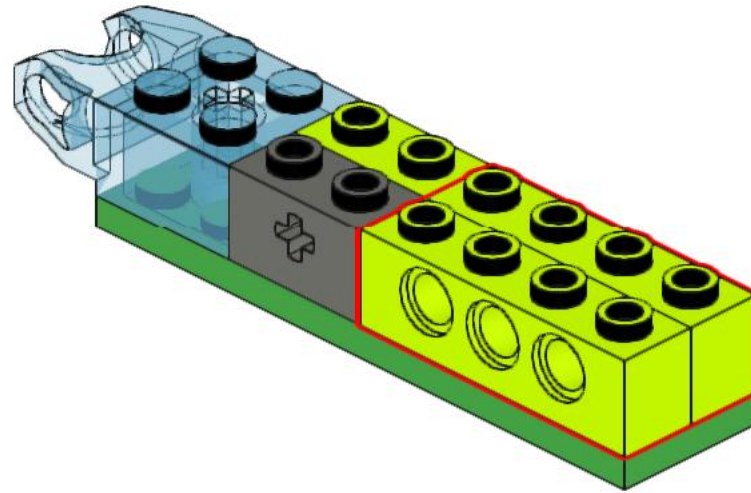
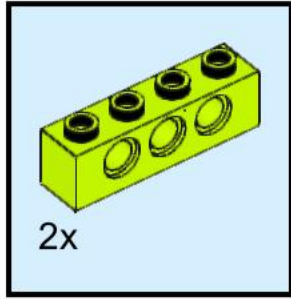
2



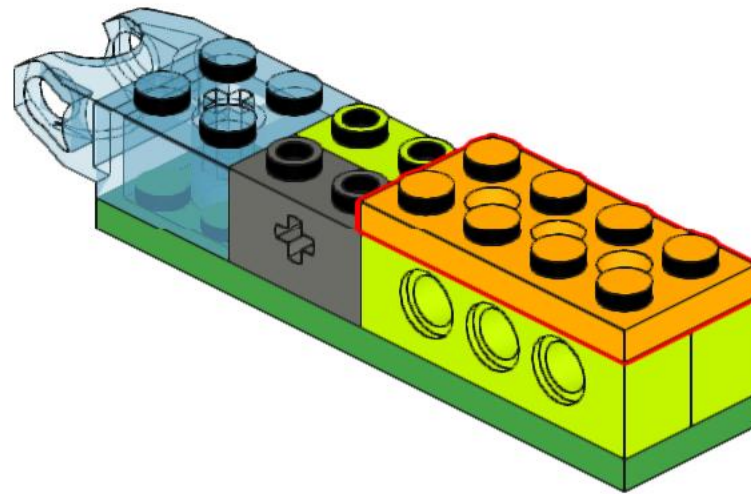
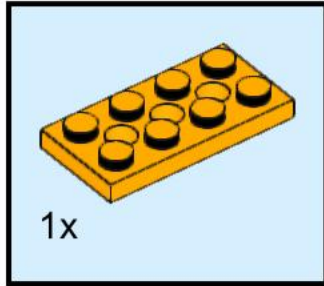
3



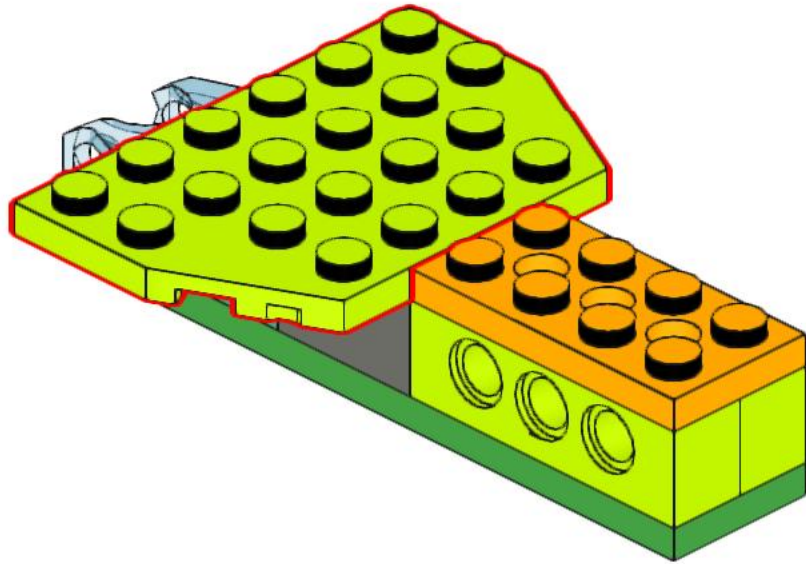
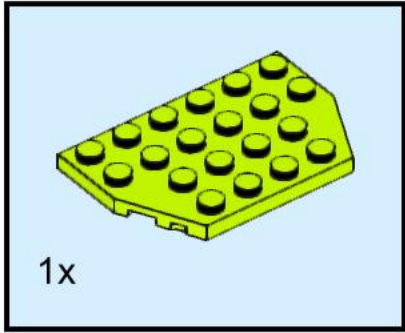
4



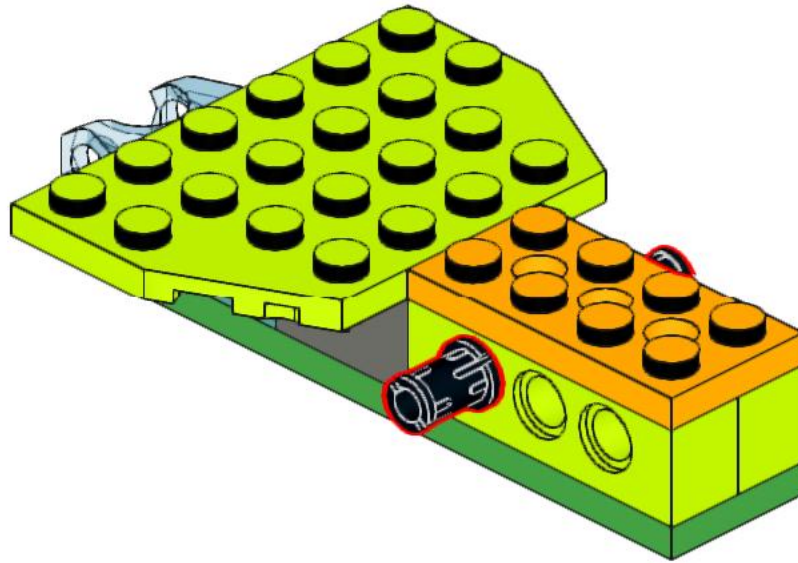
5



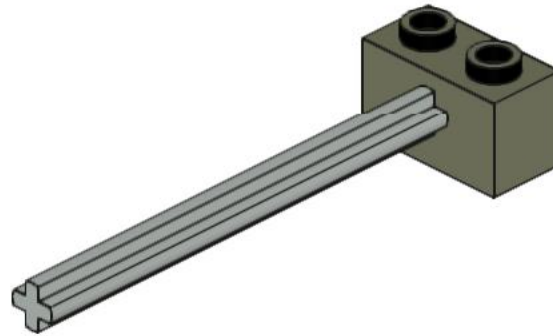
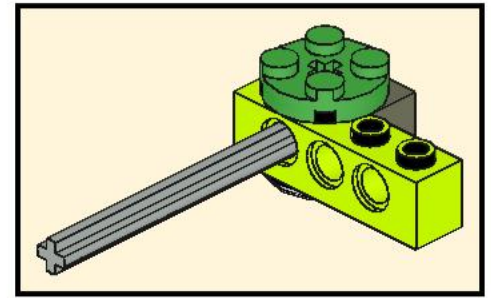
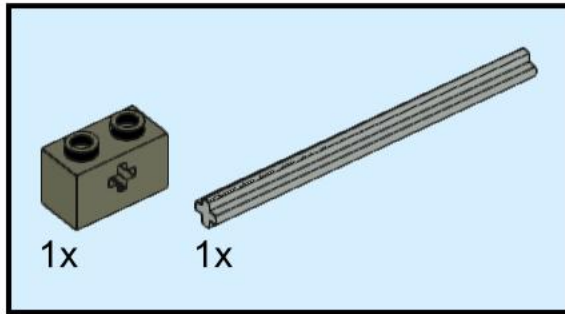
6



7



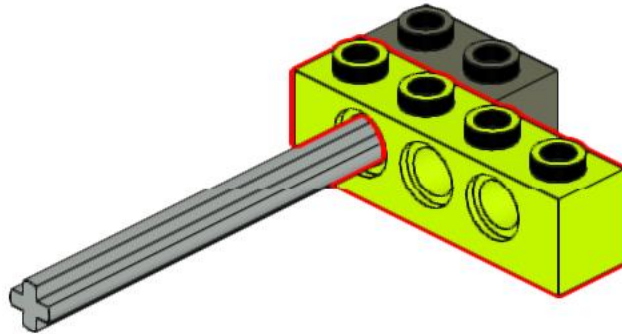
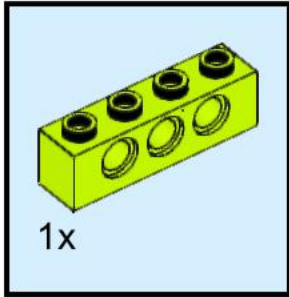
8



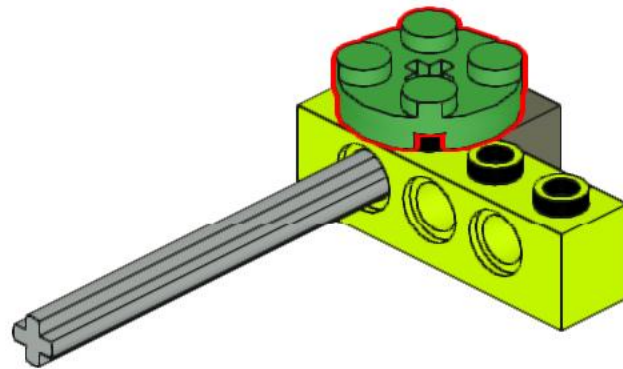
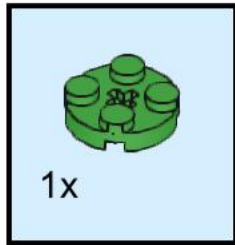
Axle 7



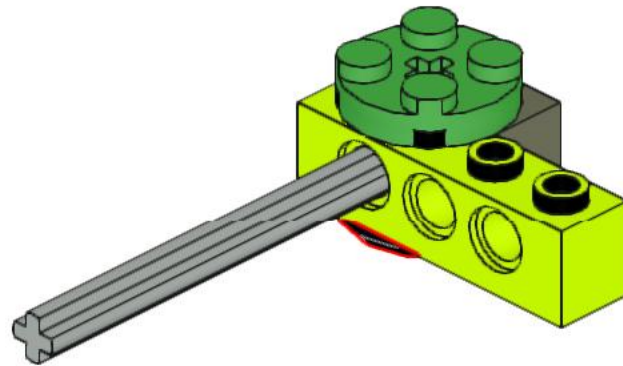
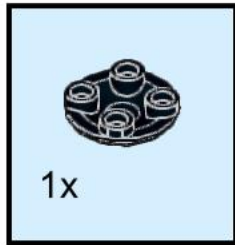
9



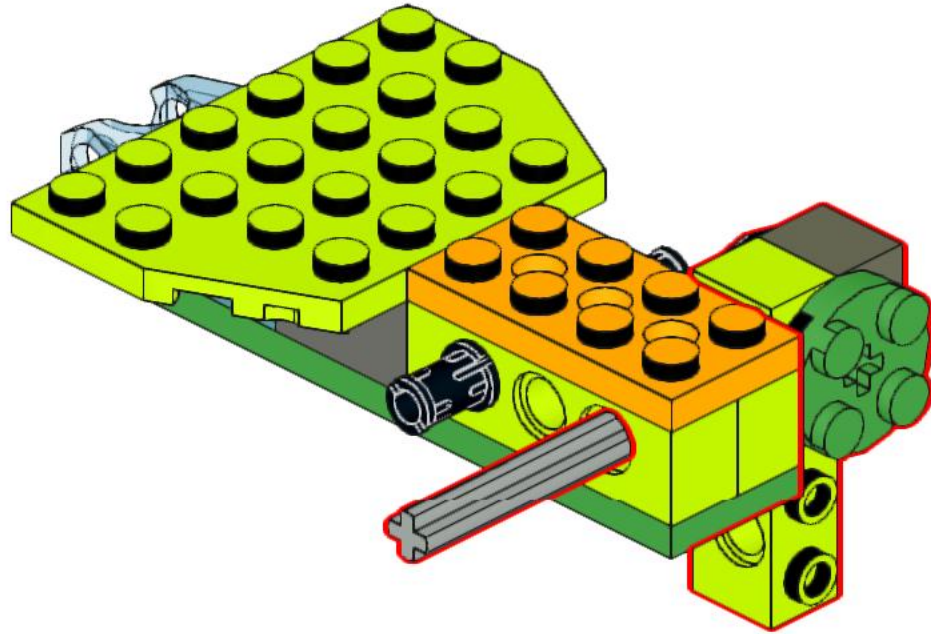
10



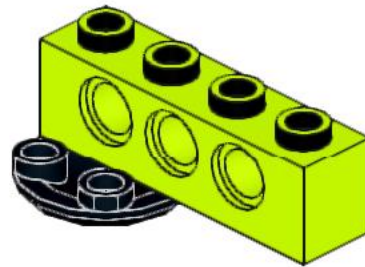
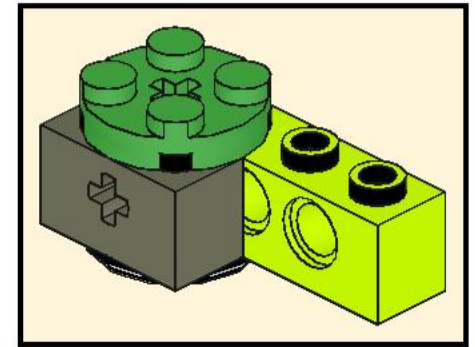
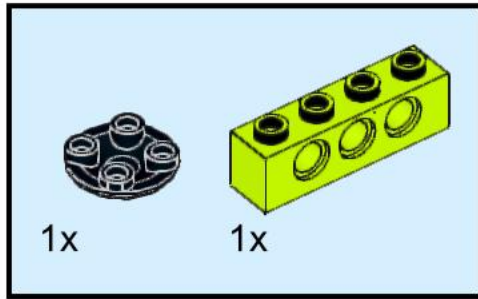
11



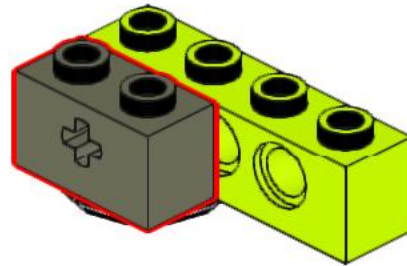
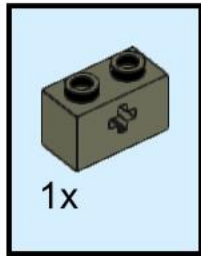
12



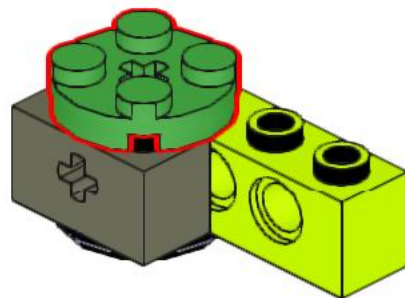
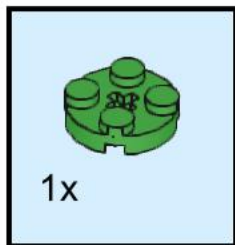
13



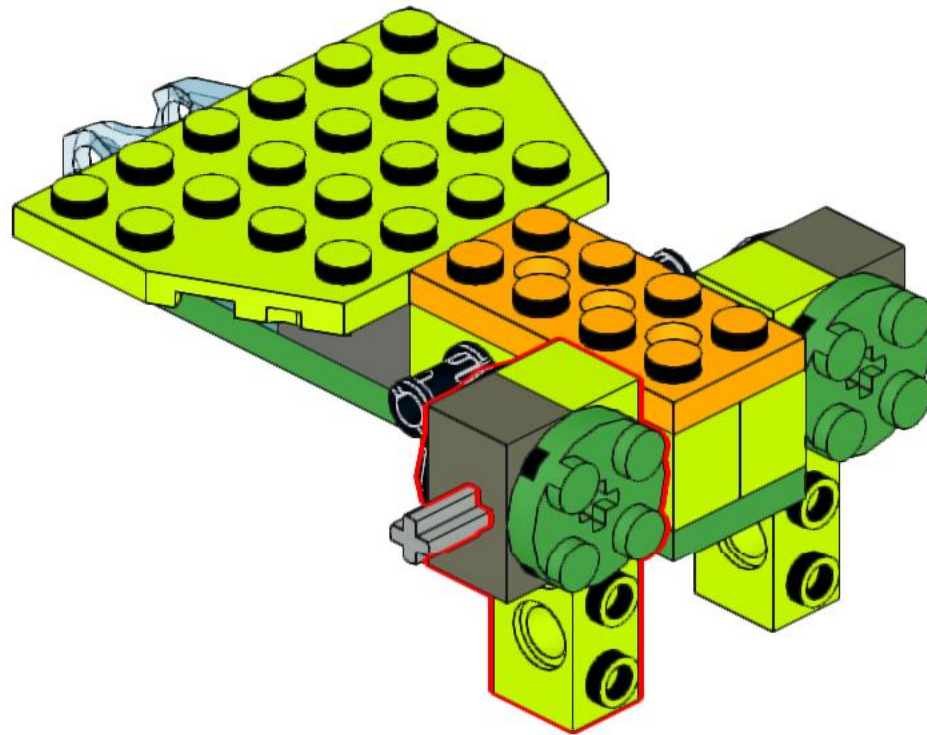
14



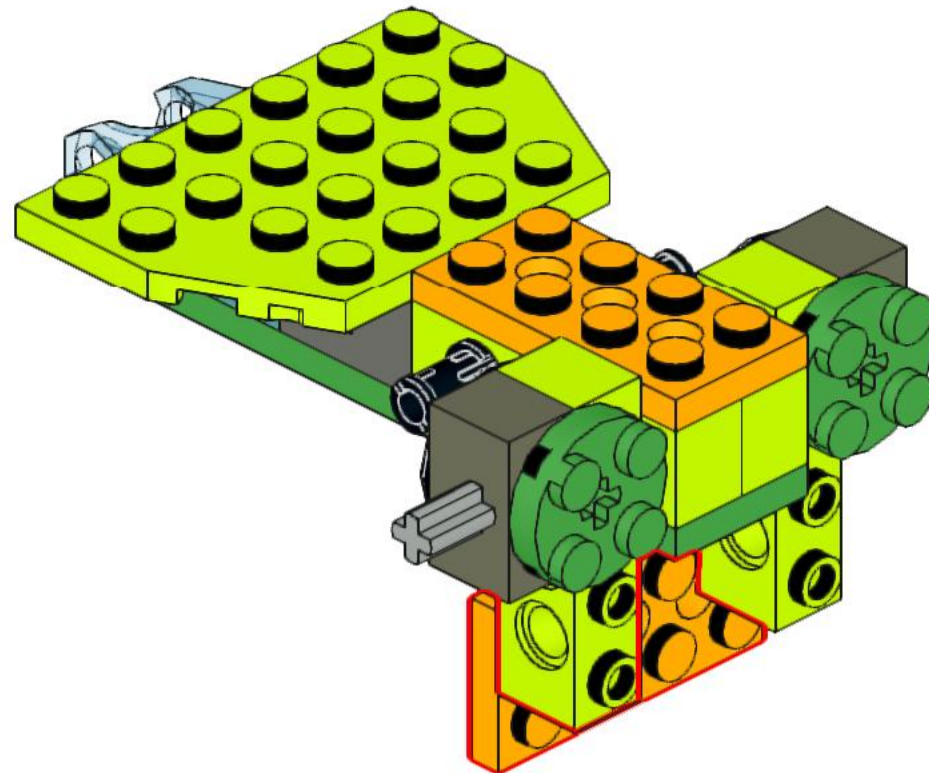
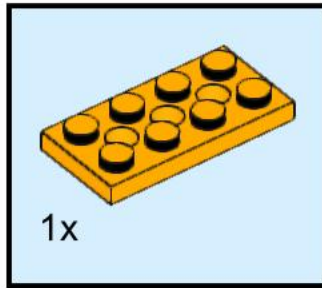
15



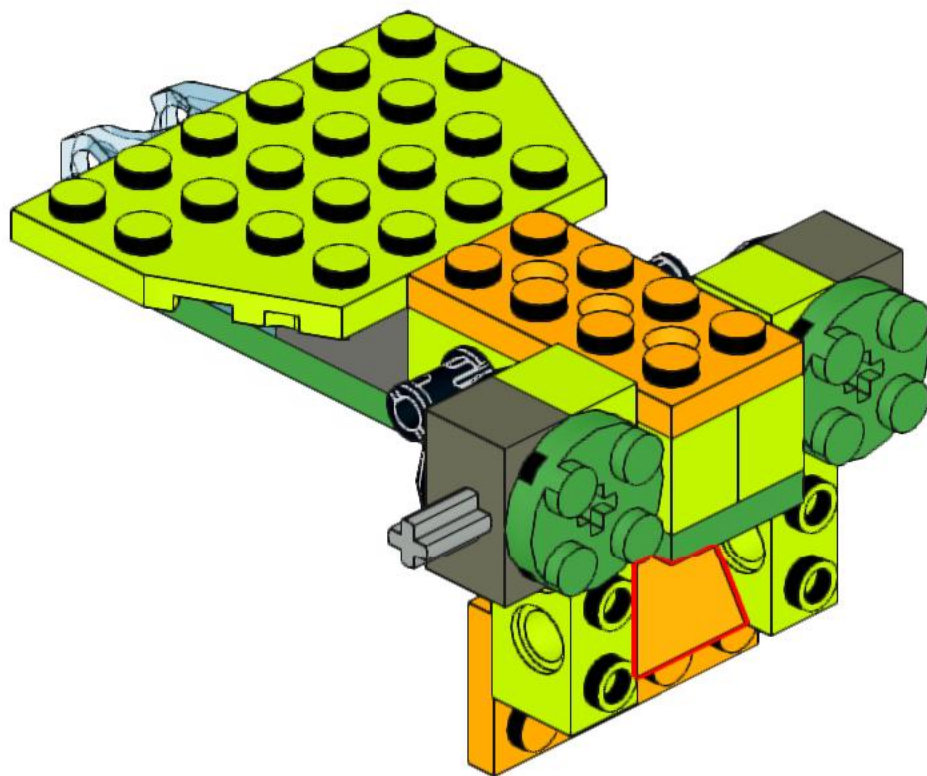
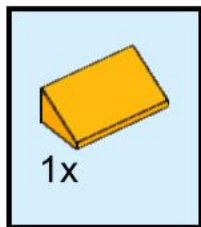
16



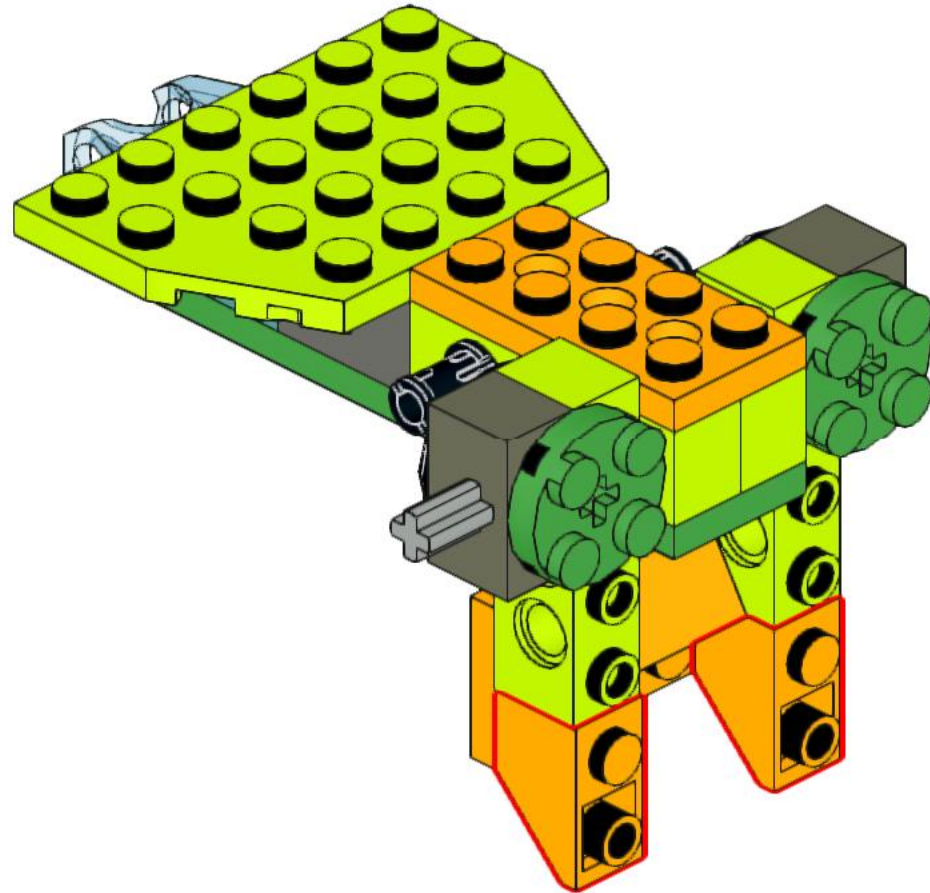
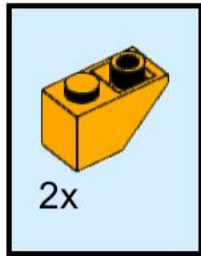
17



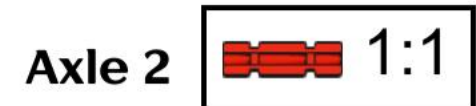
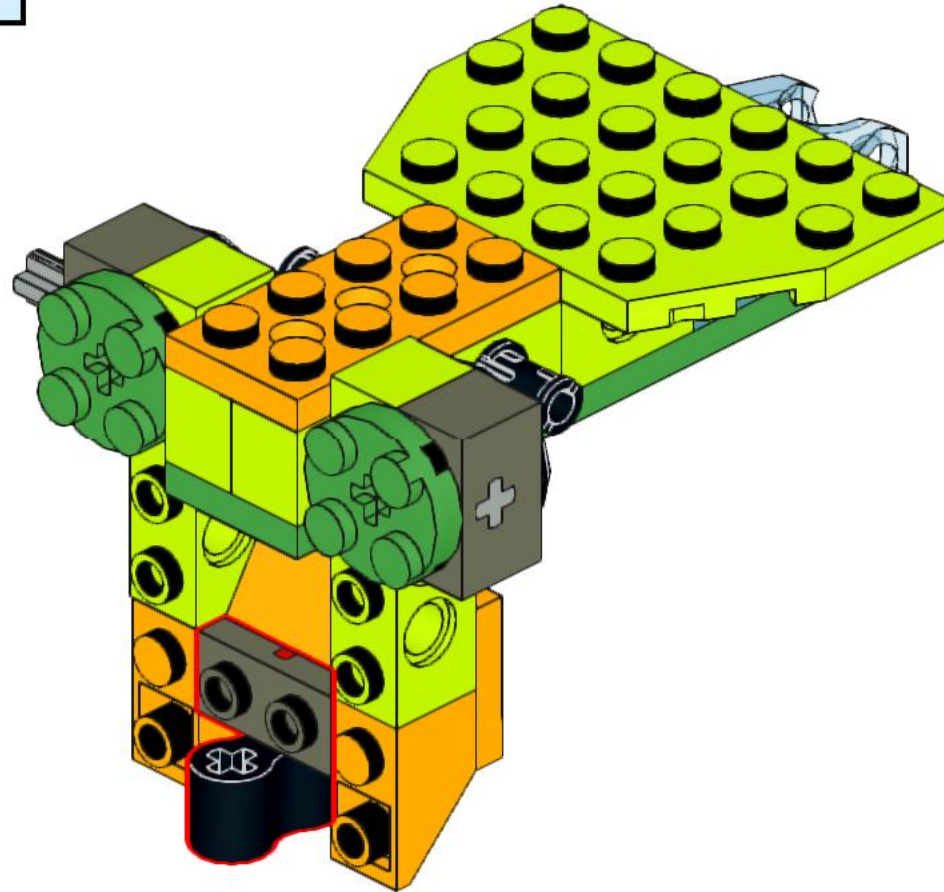
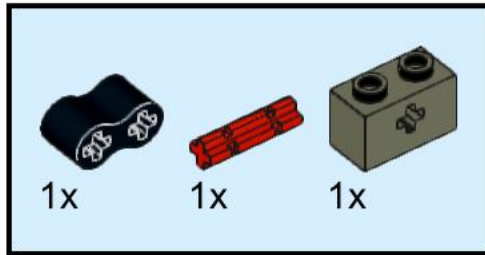
18



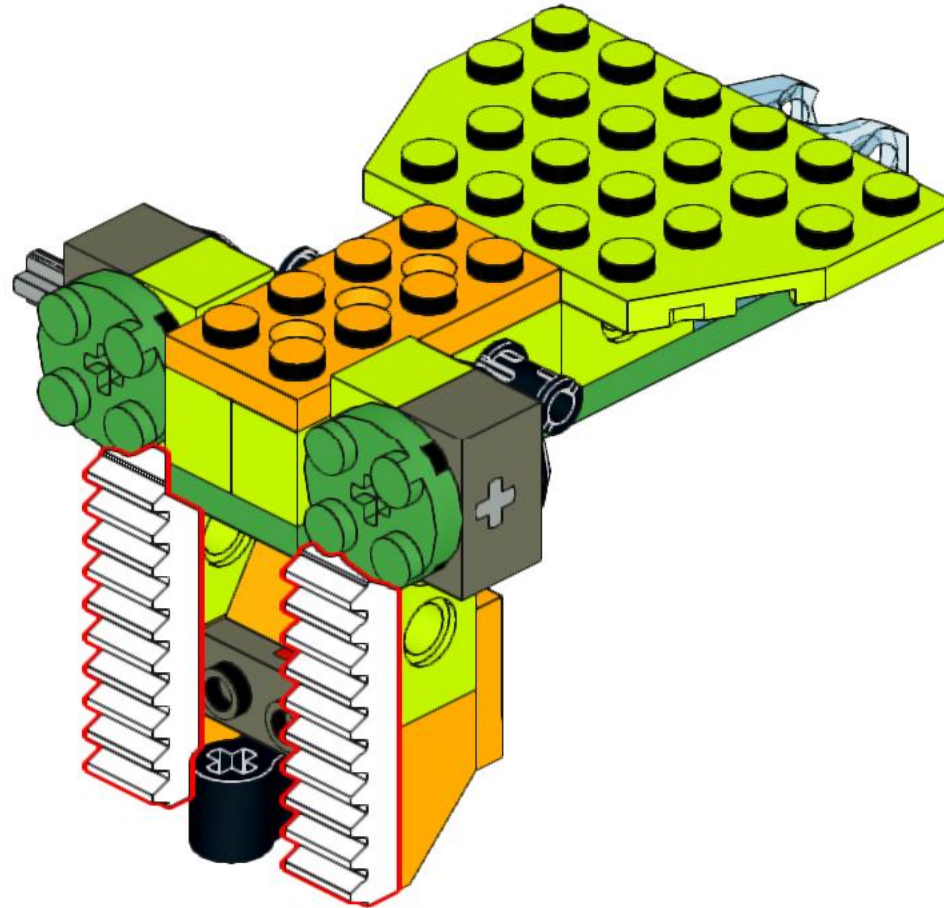
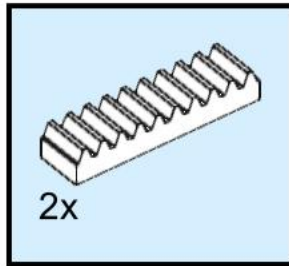
19



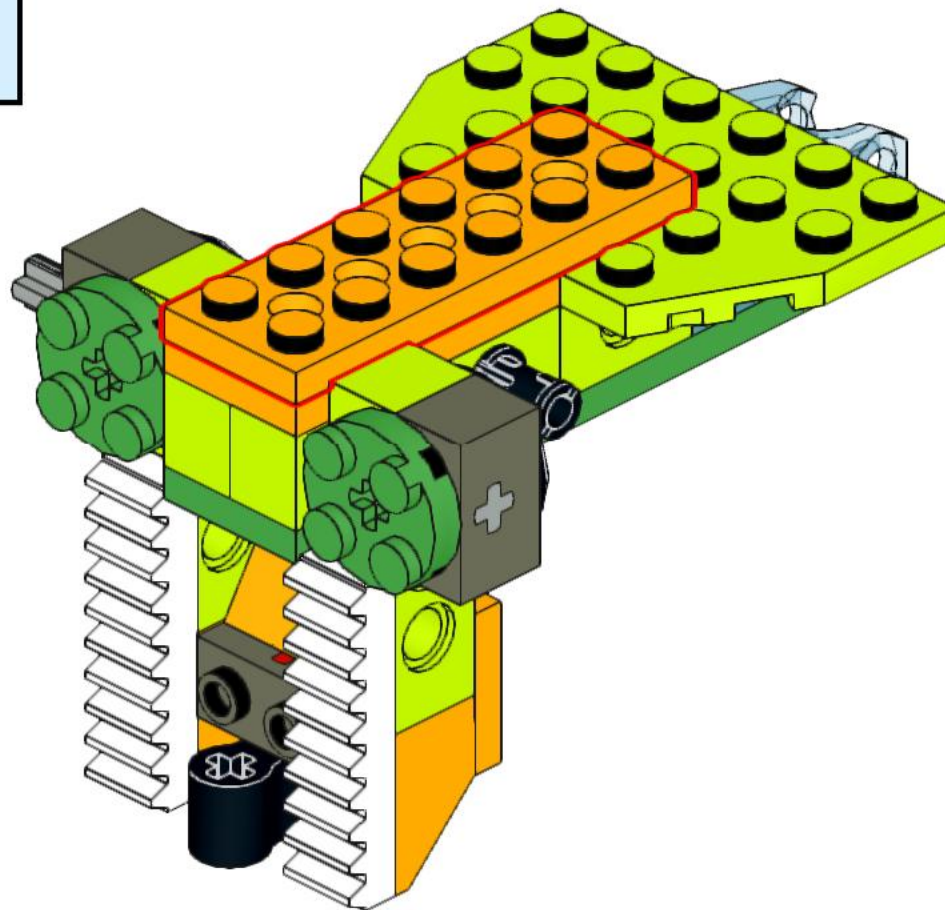
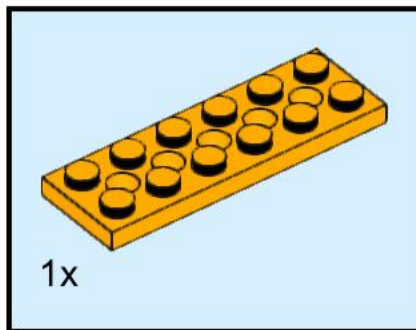
20



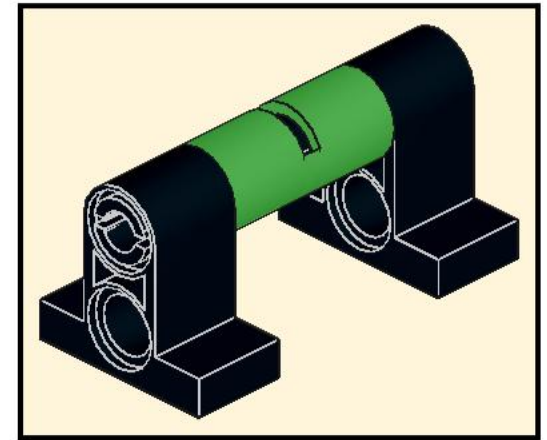
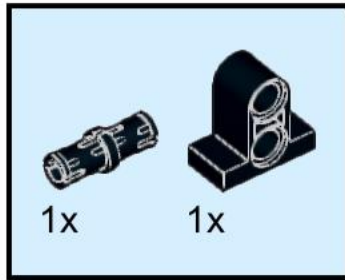
21



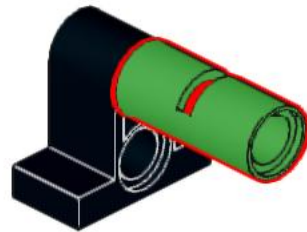
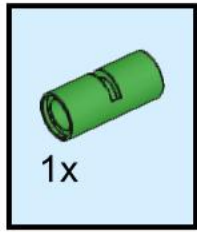
22



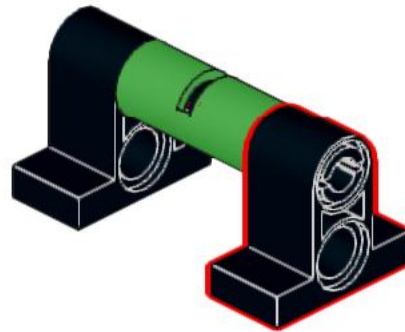
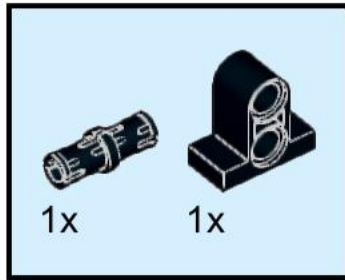
23



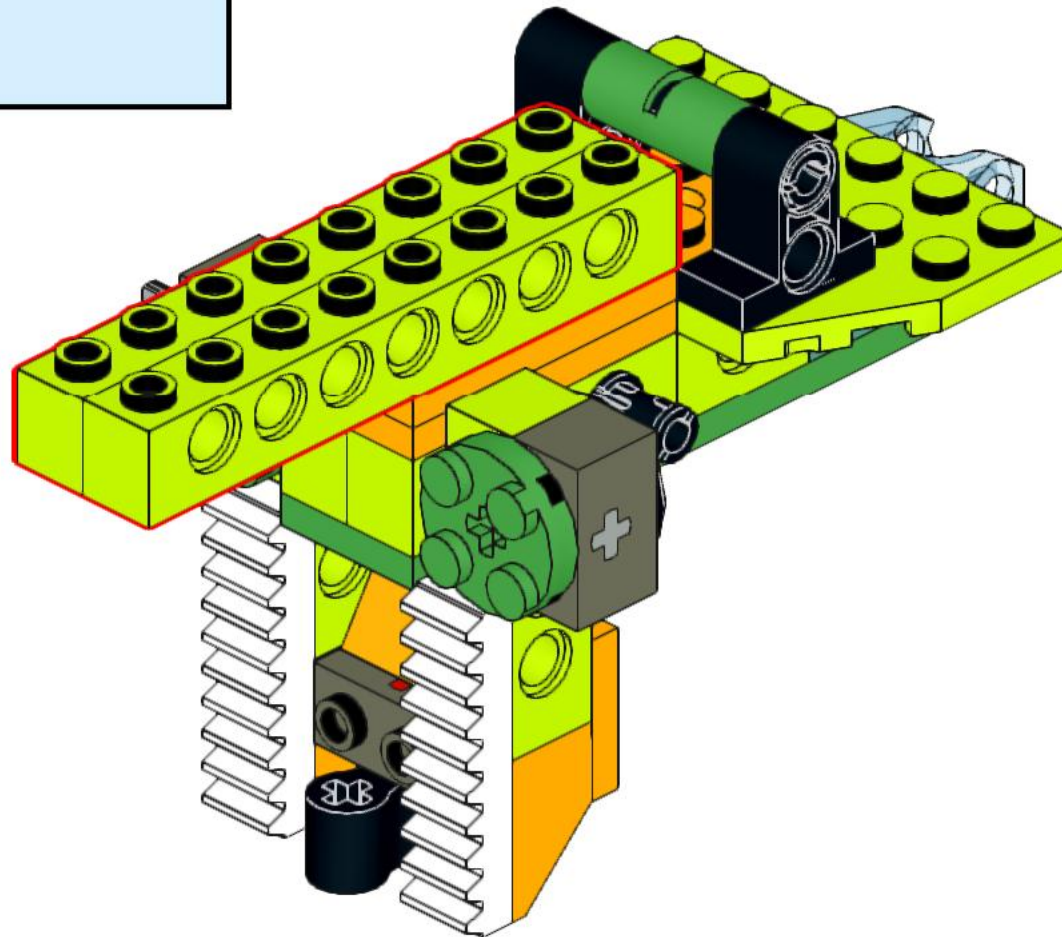
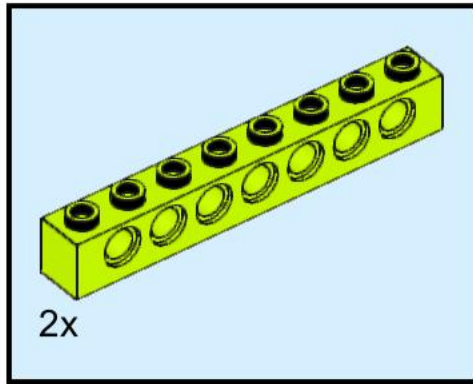
24



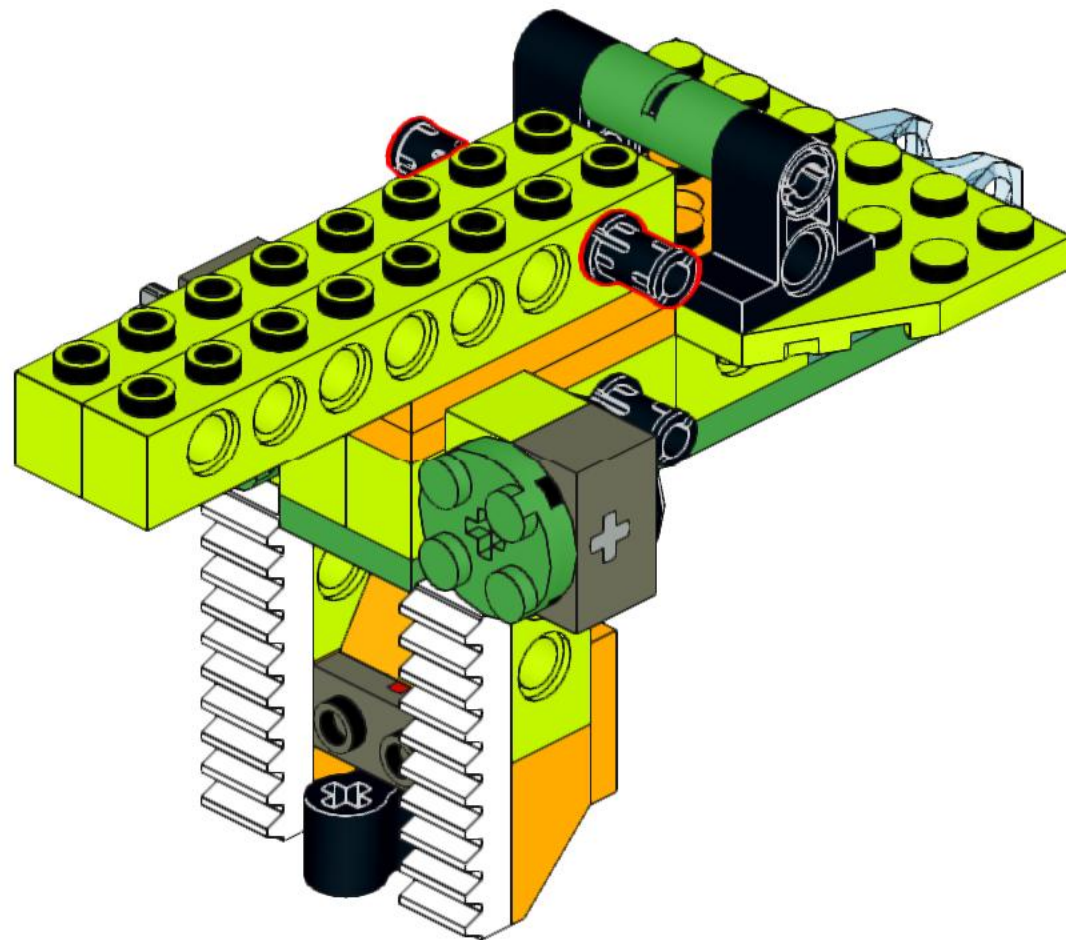
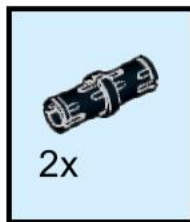
25



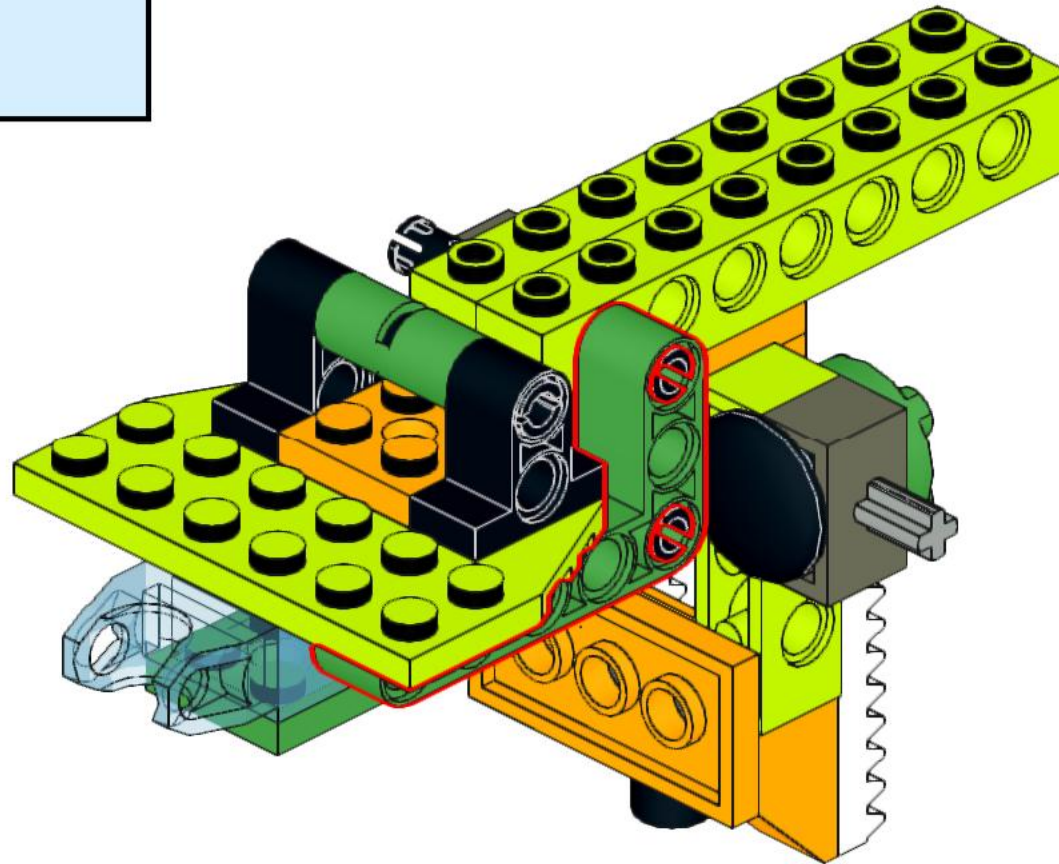
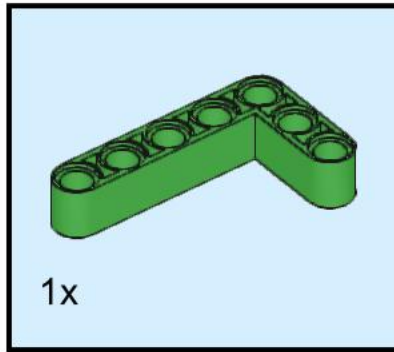
27



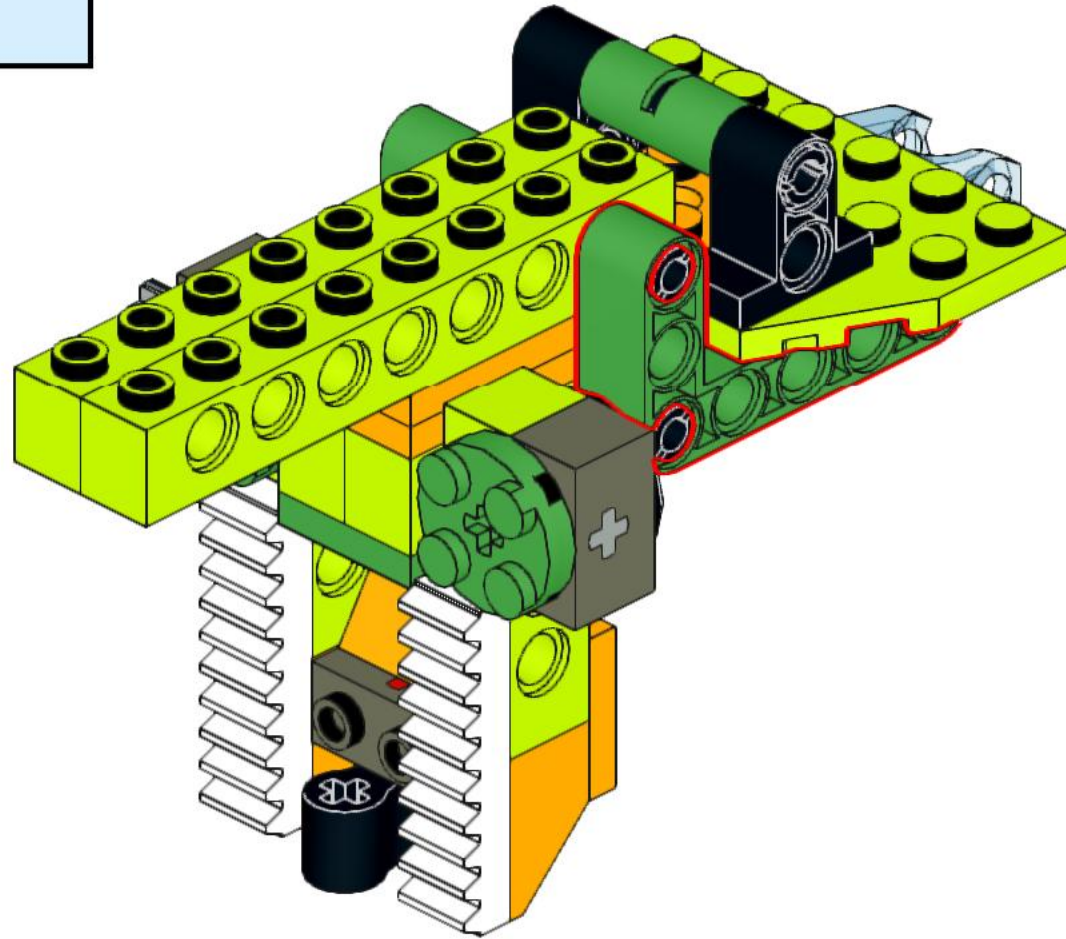
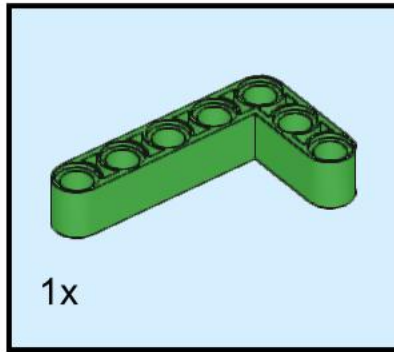
28



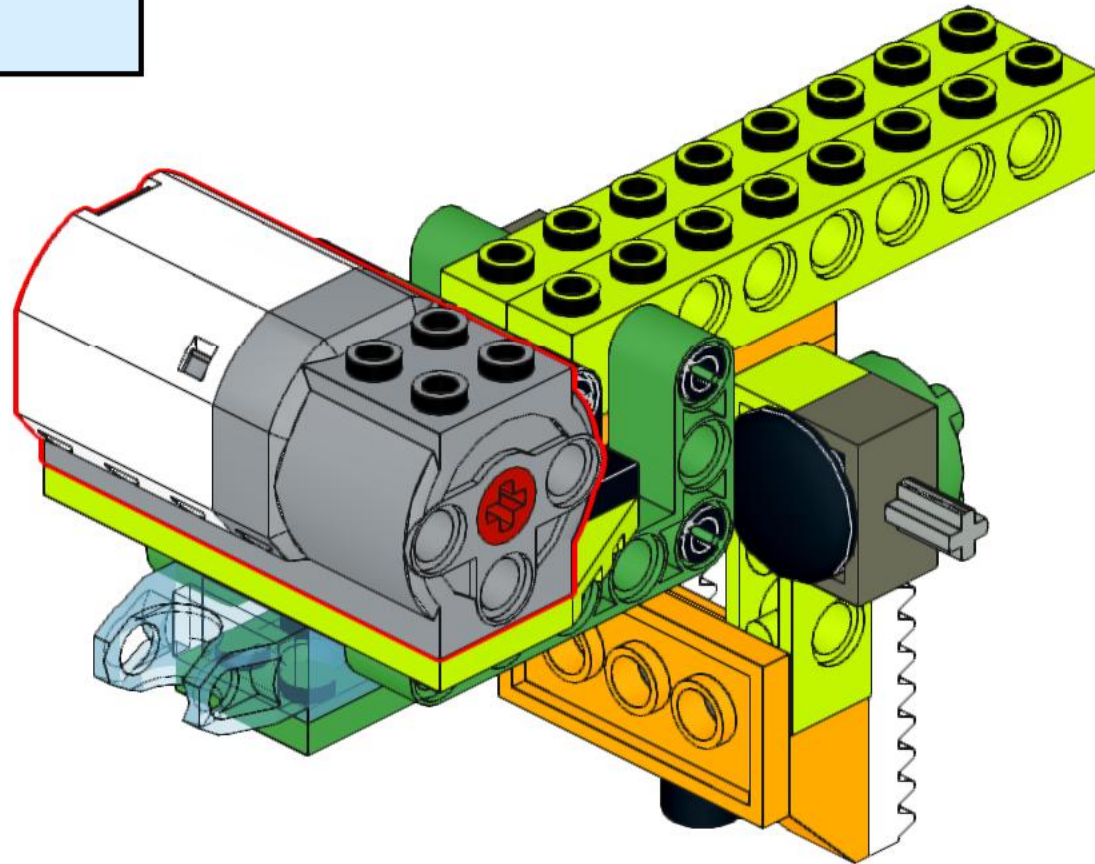
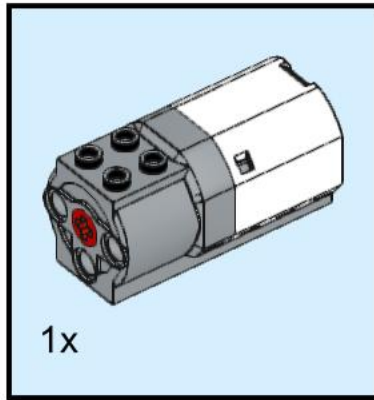
29



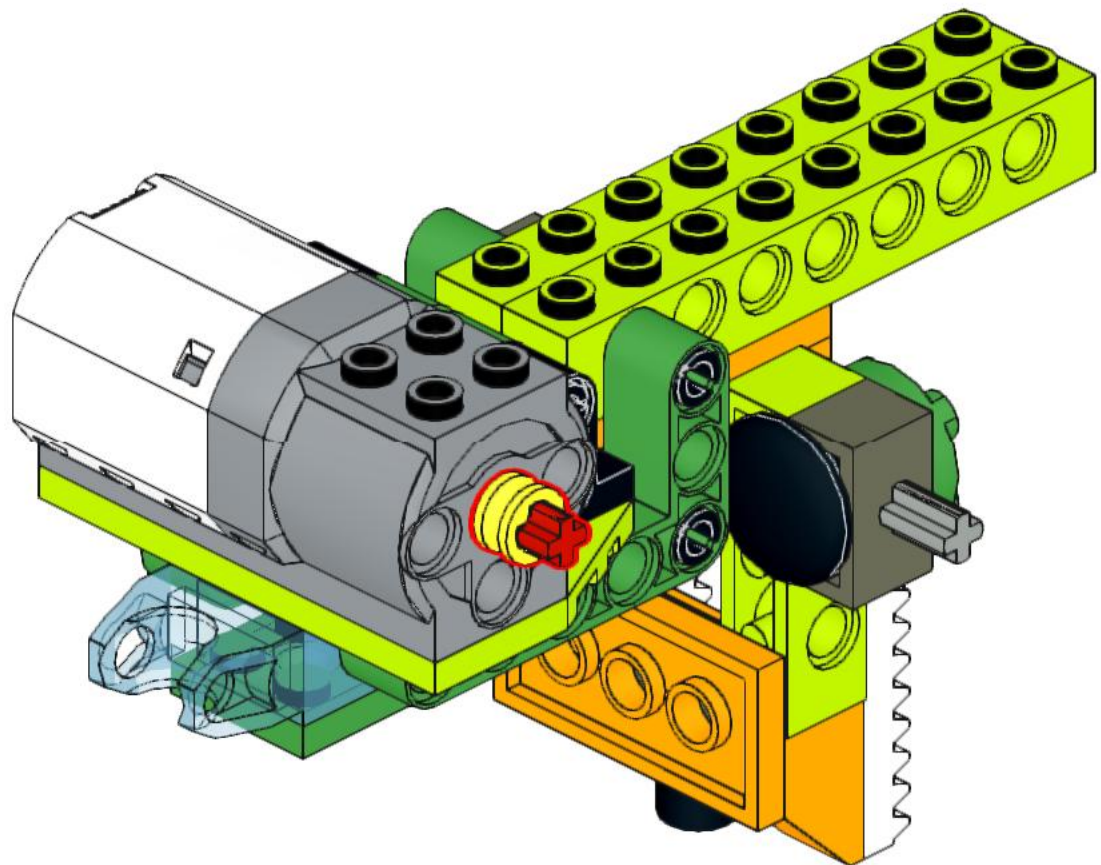
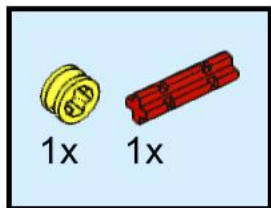
30




31

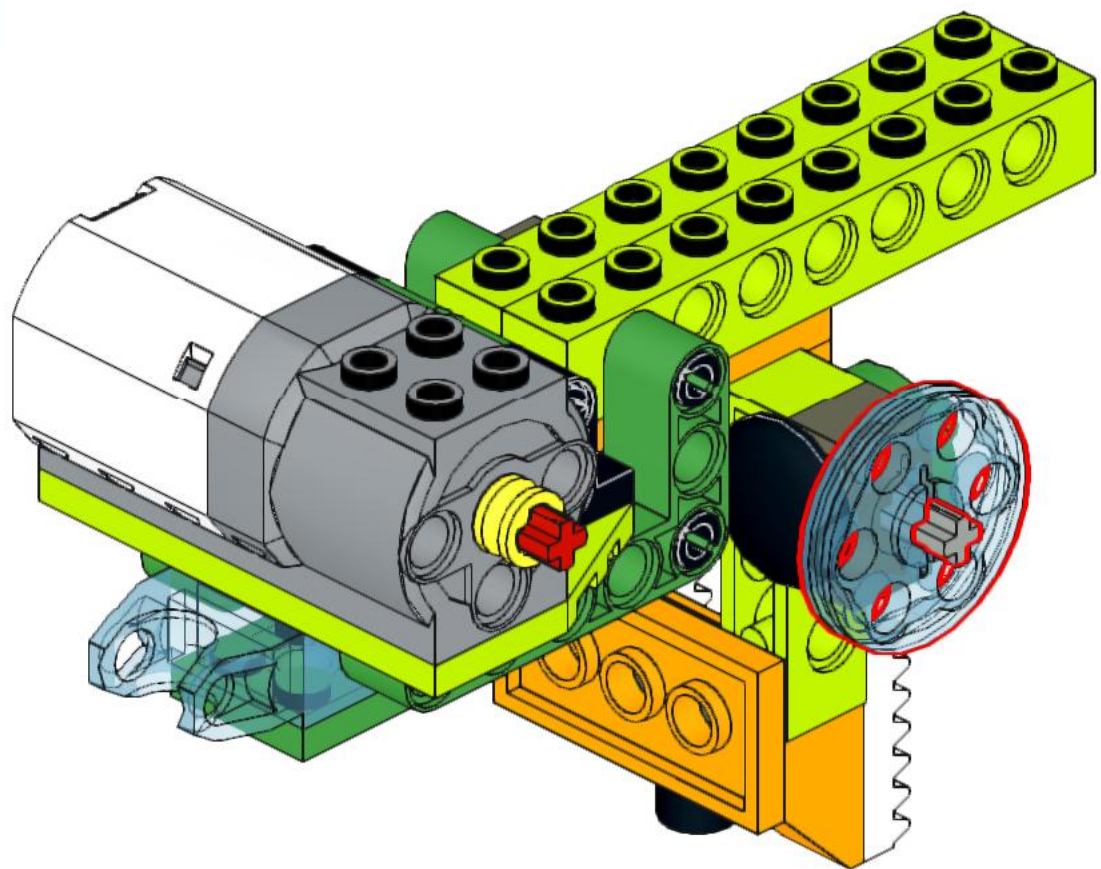
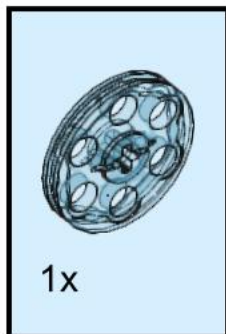


32

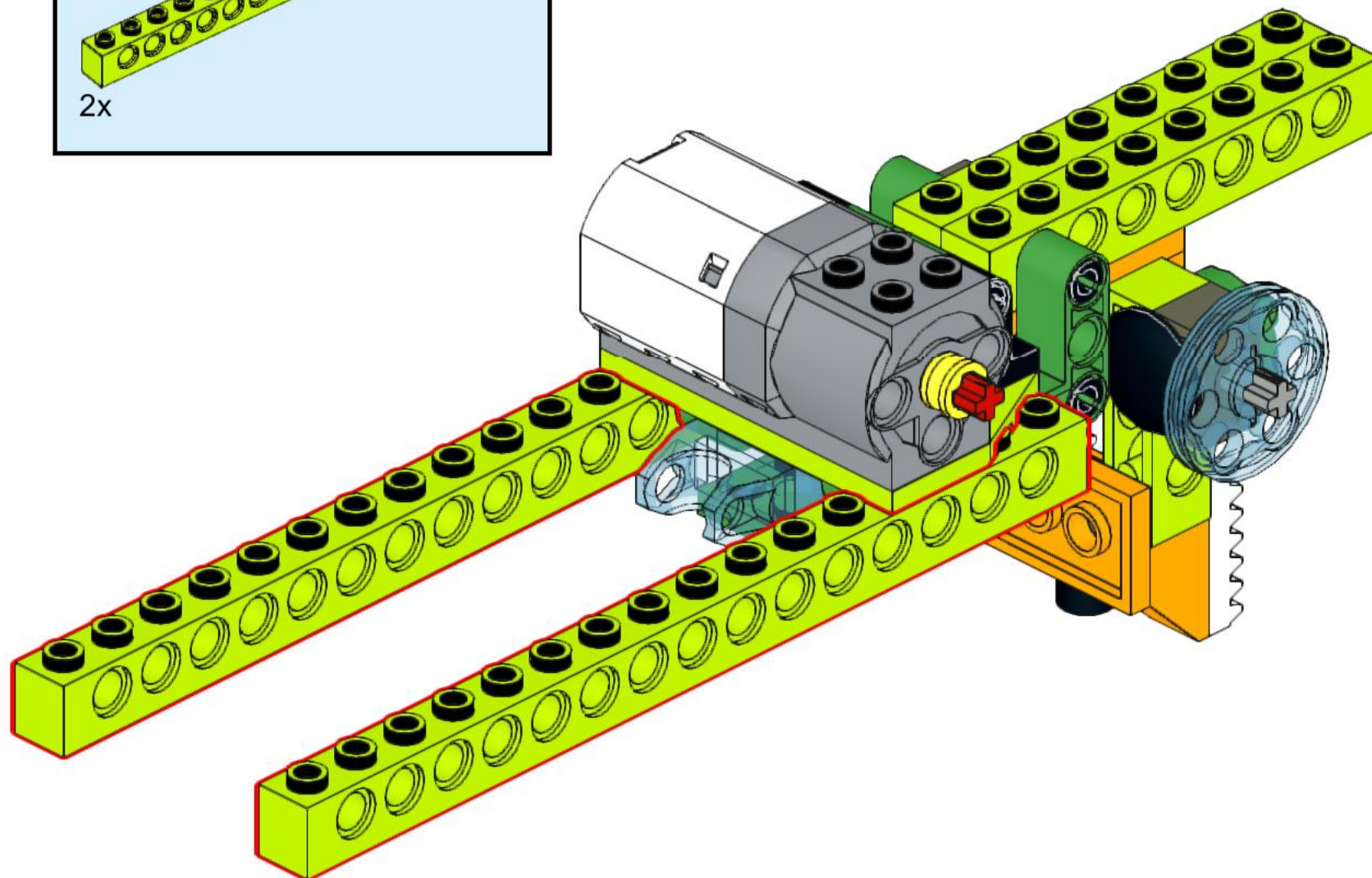
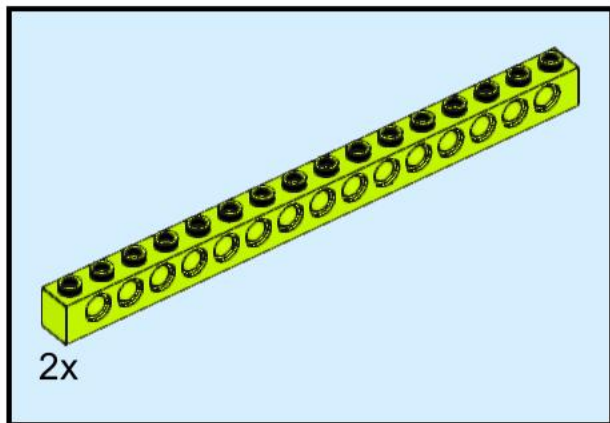


Axle 2  1:1

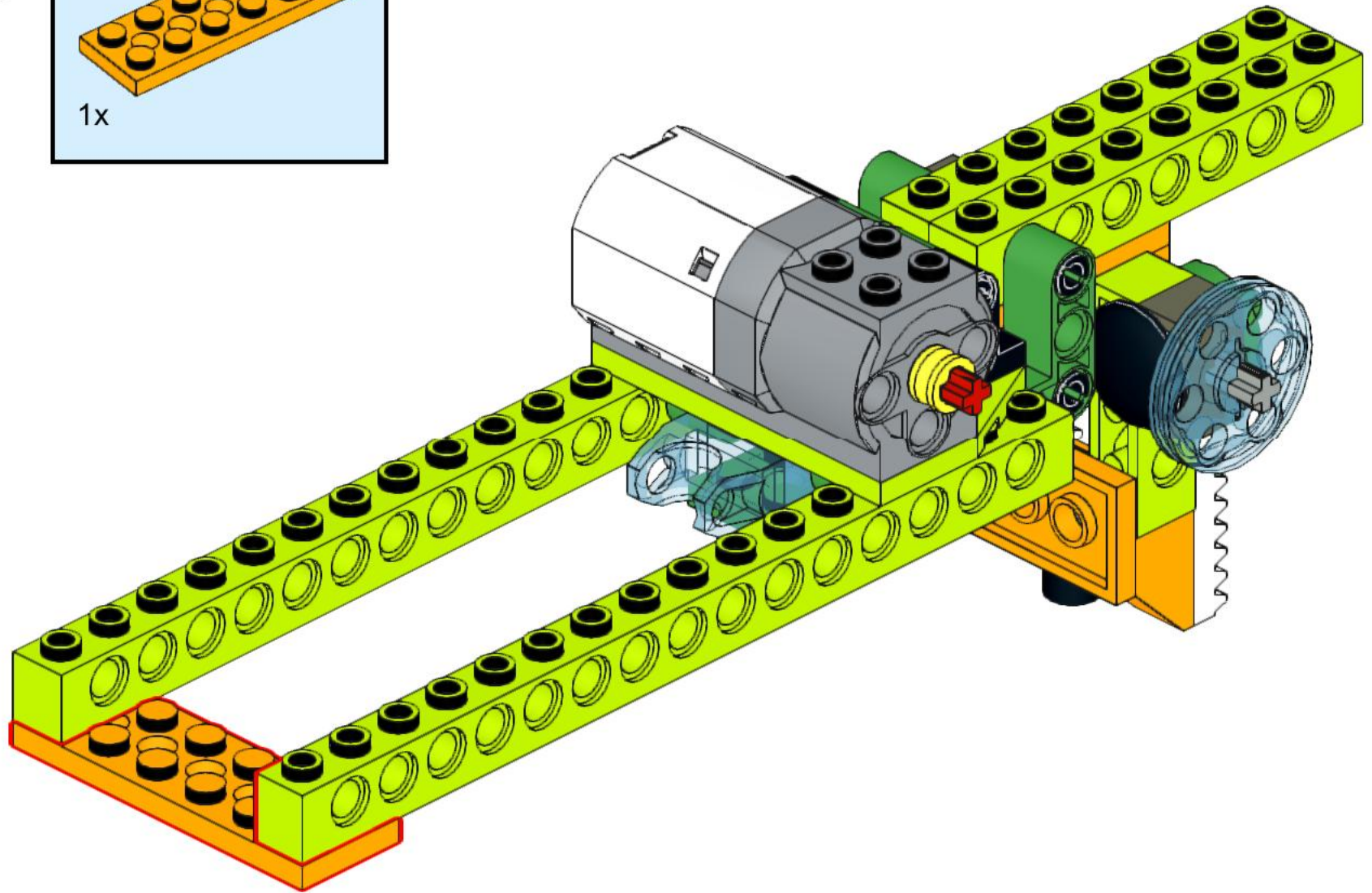
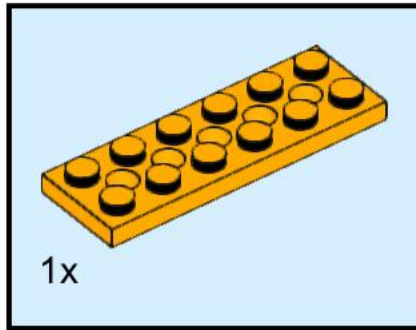
33



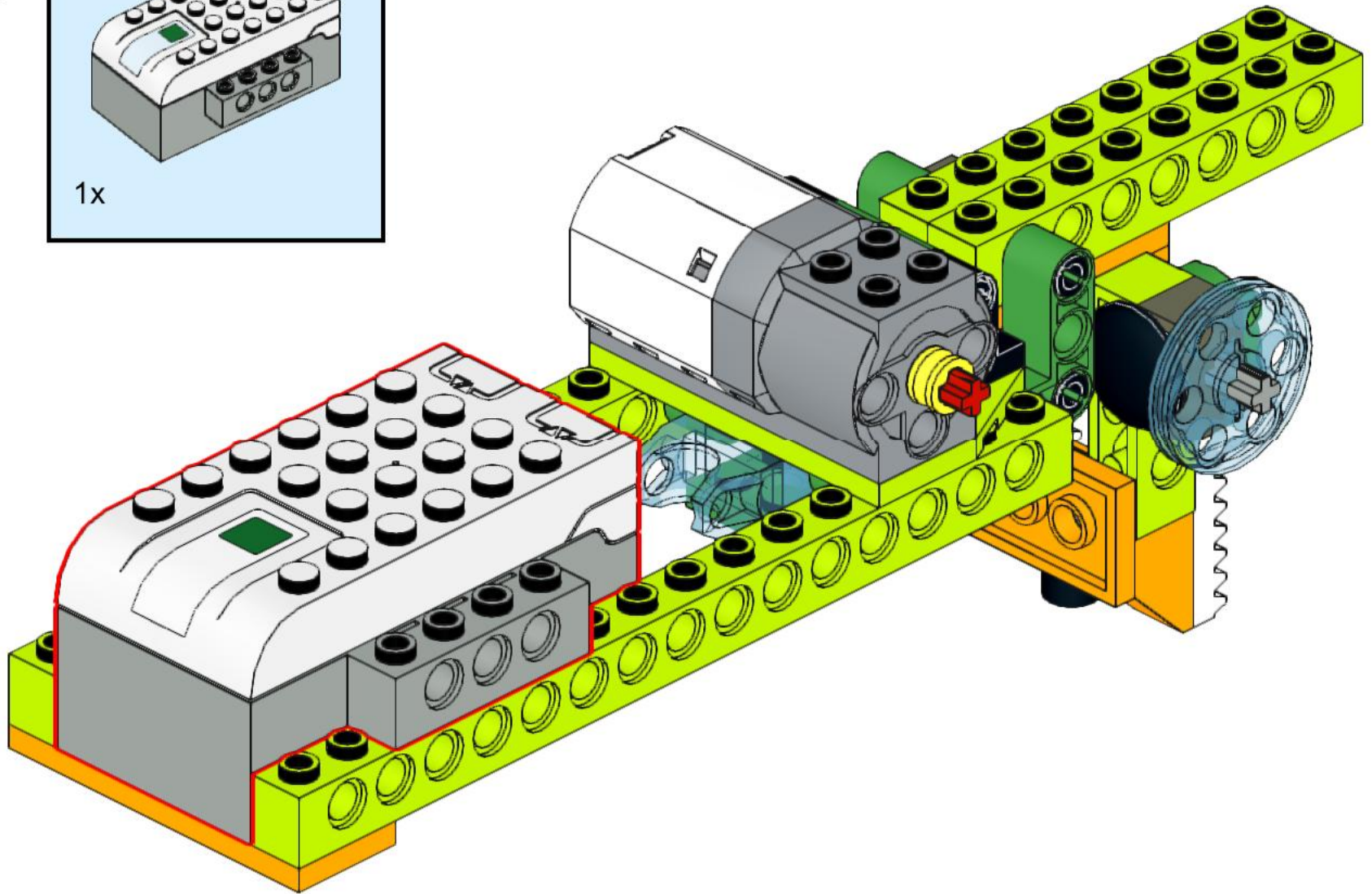
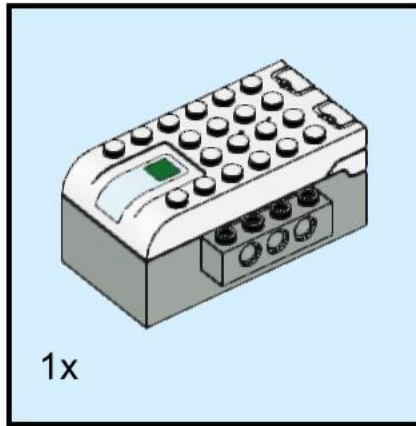
34



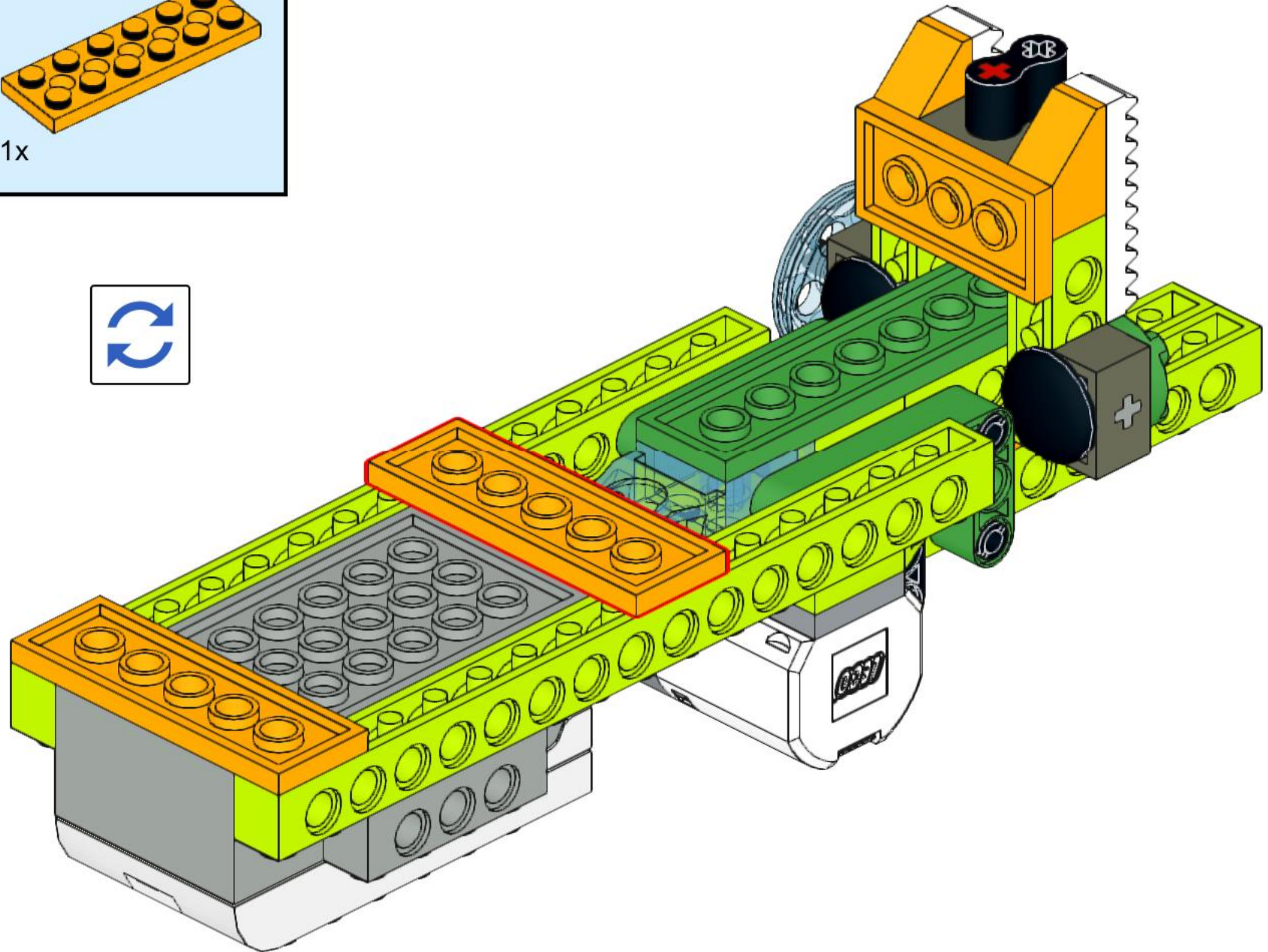
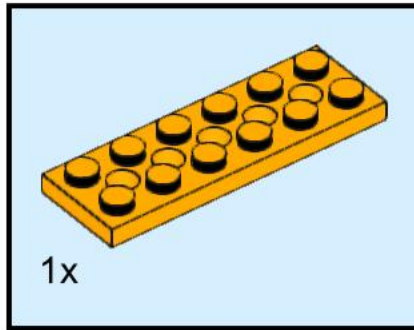
35



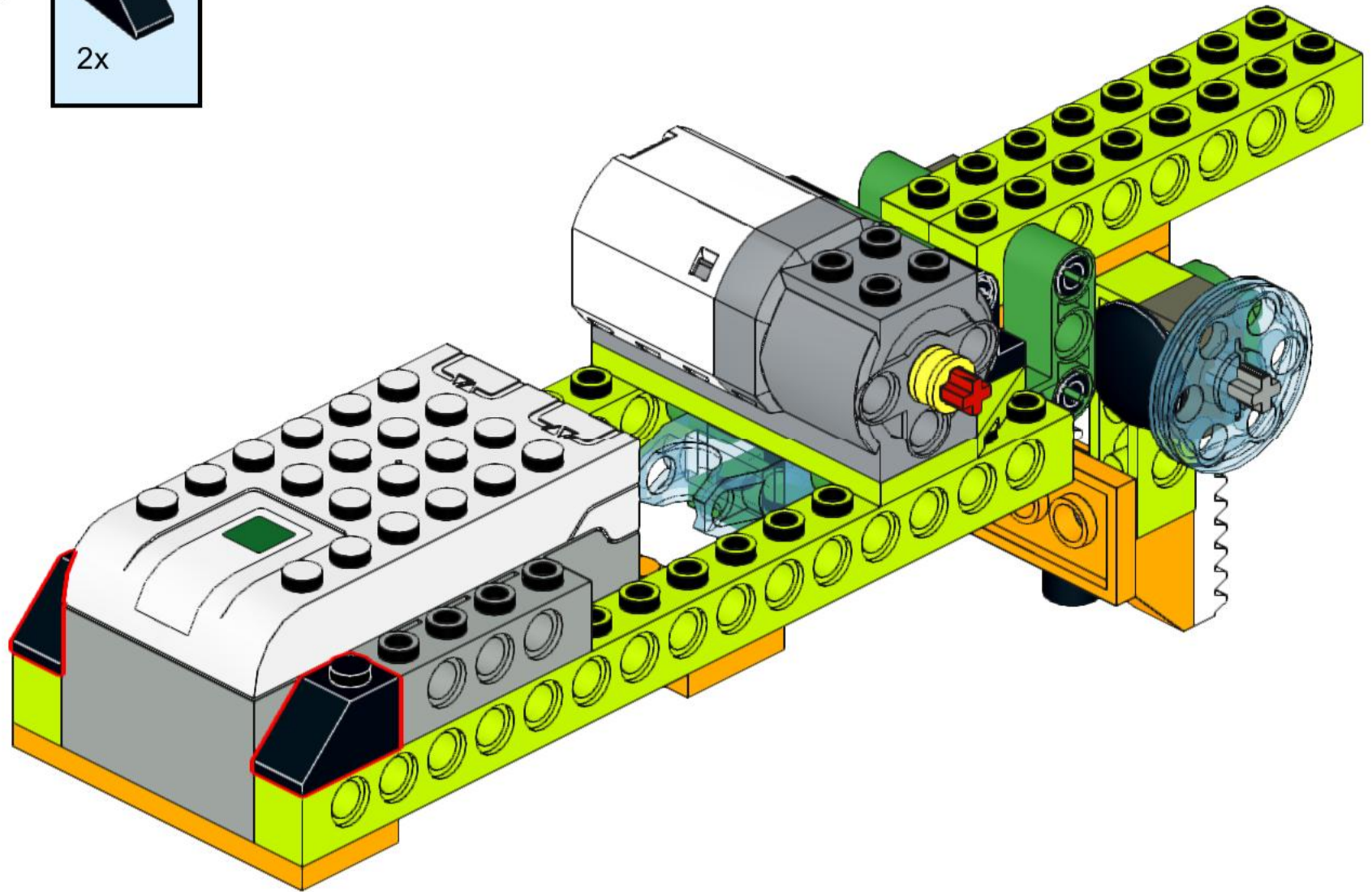
36



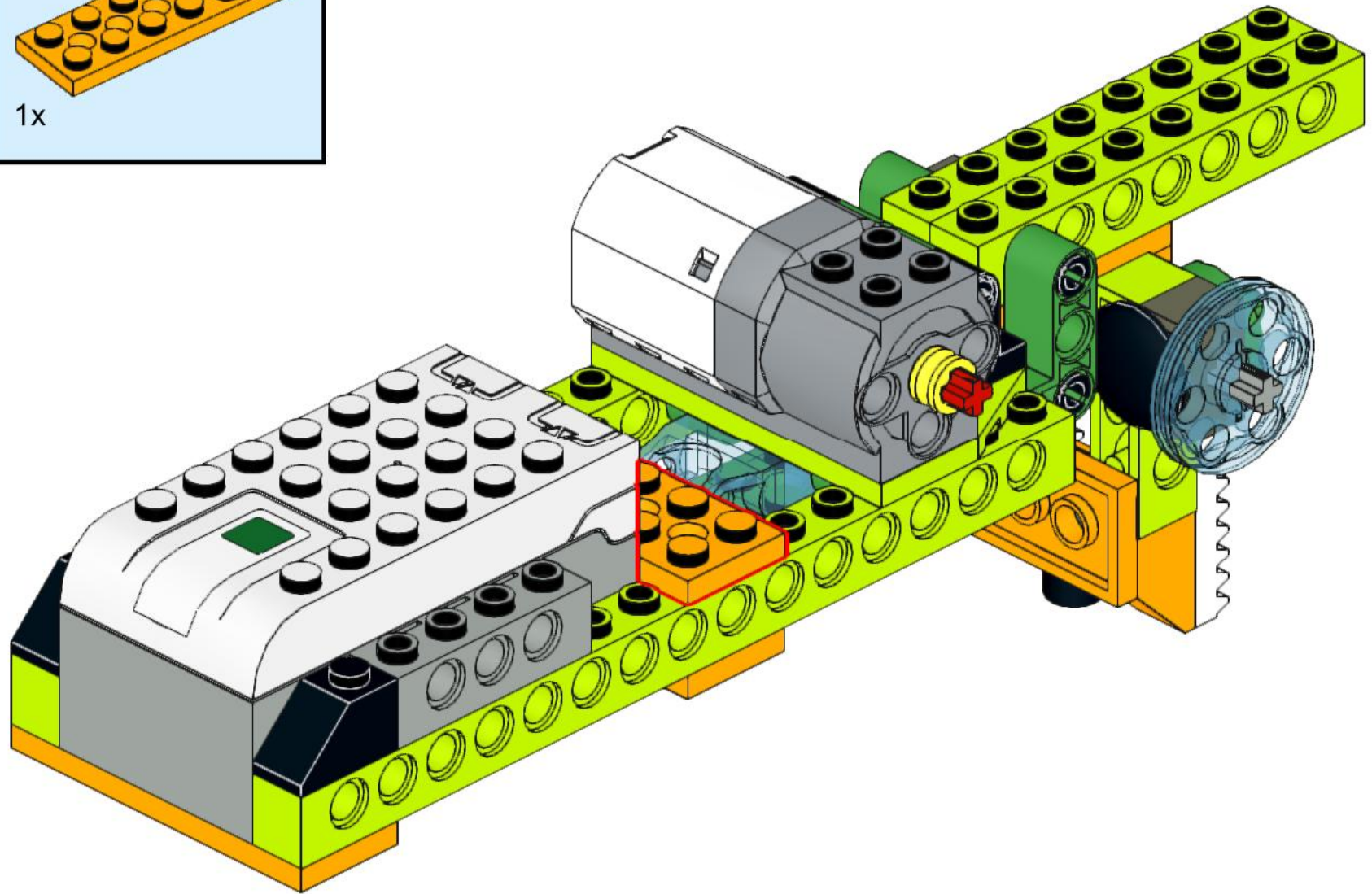
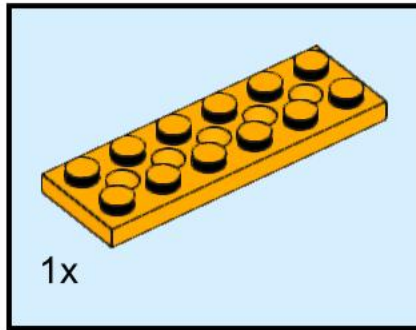
37



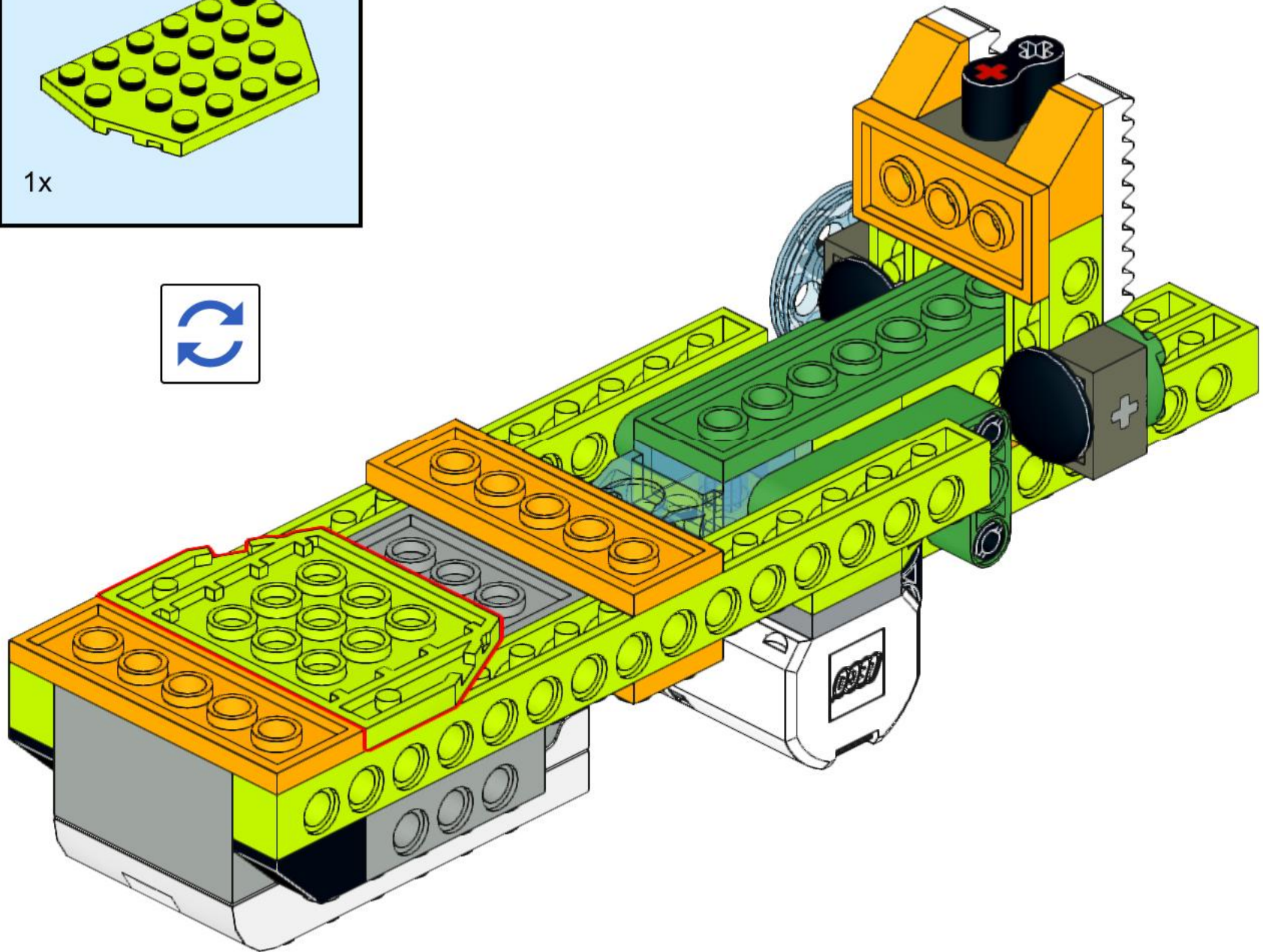
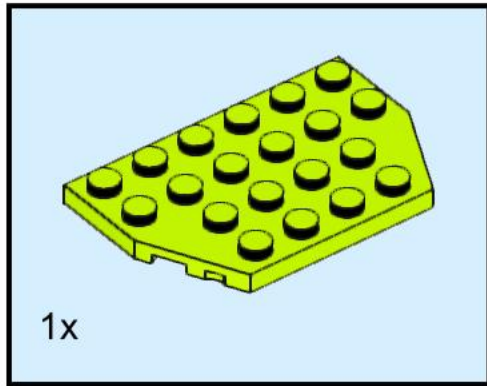
38



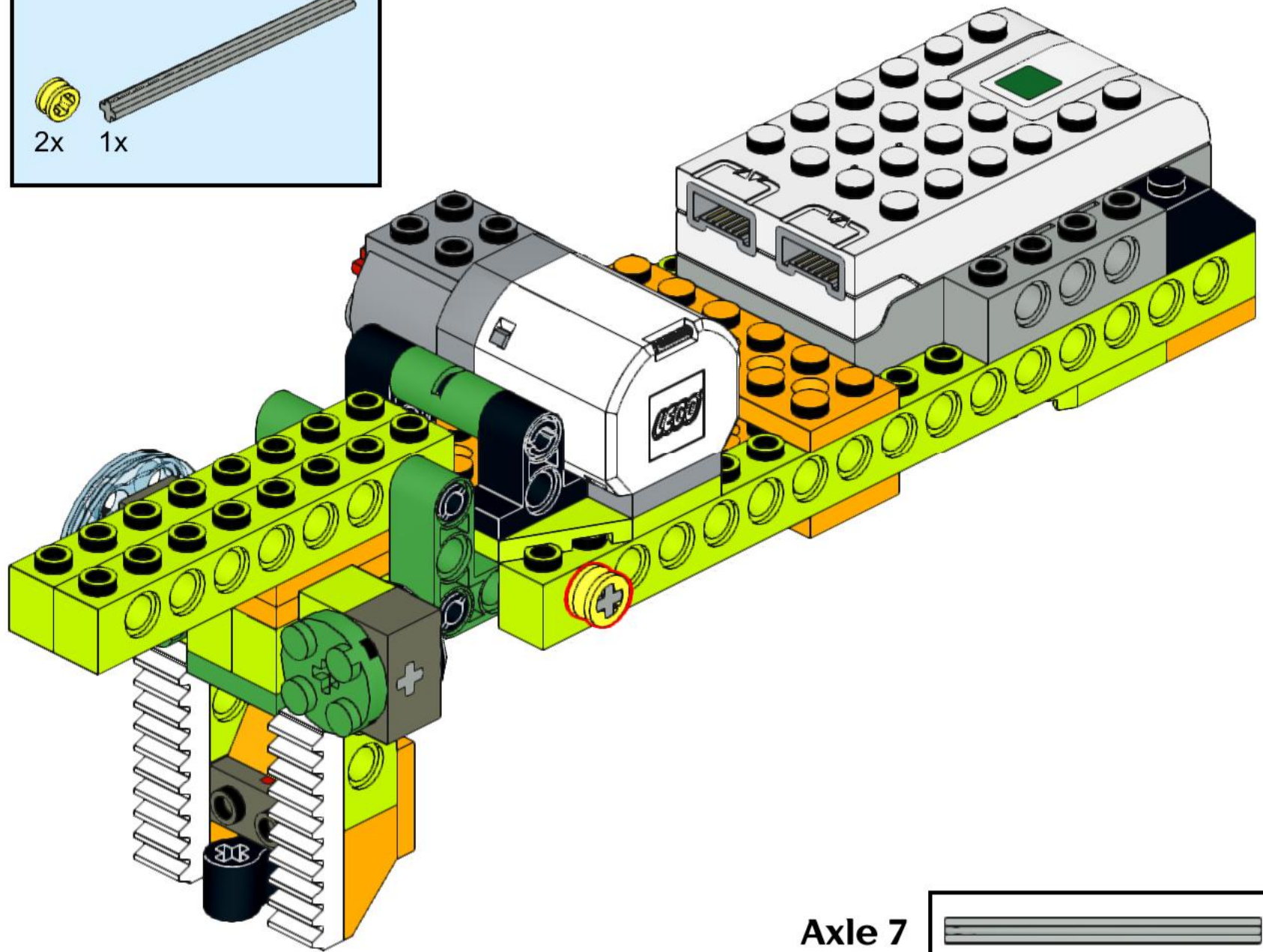
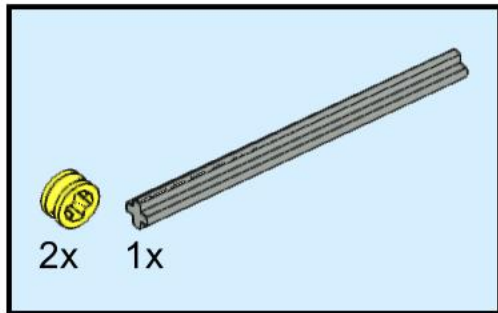
39



40



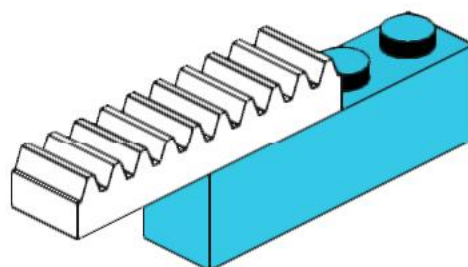
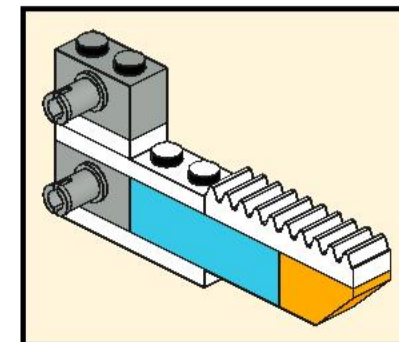
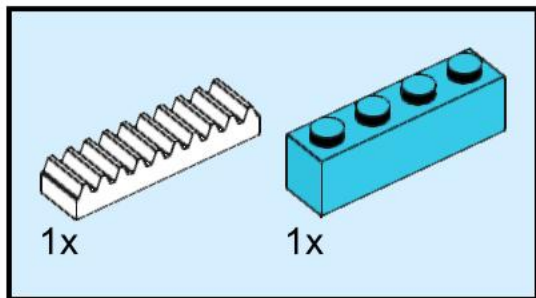
41



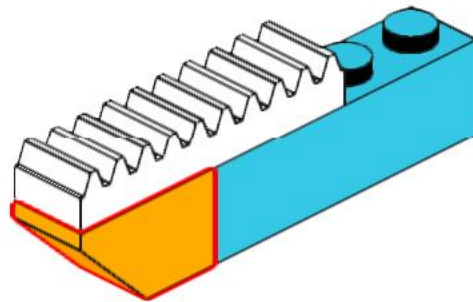
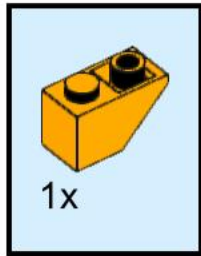
Axle 7



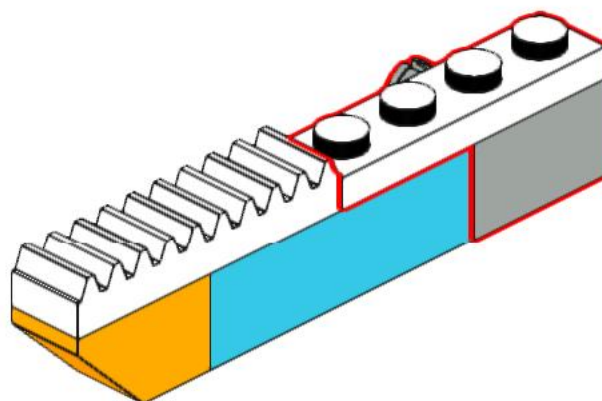
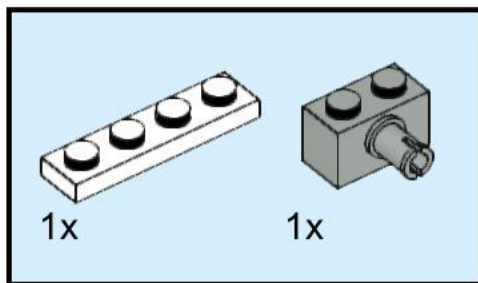
42



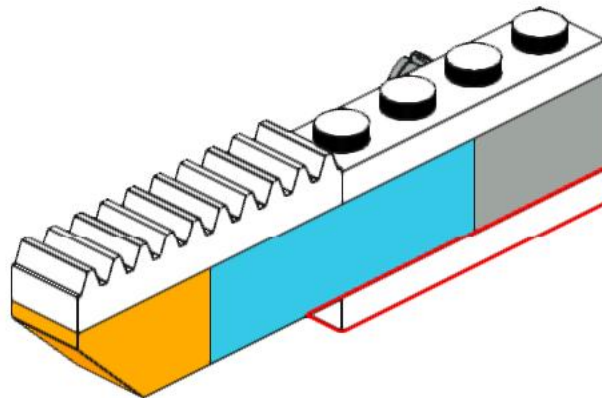
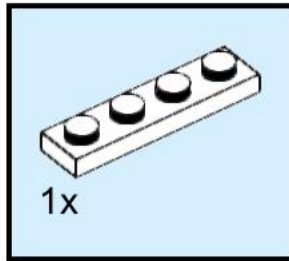
43



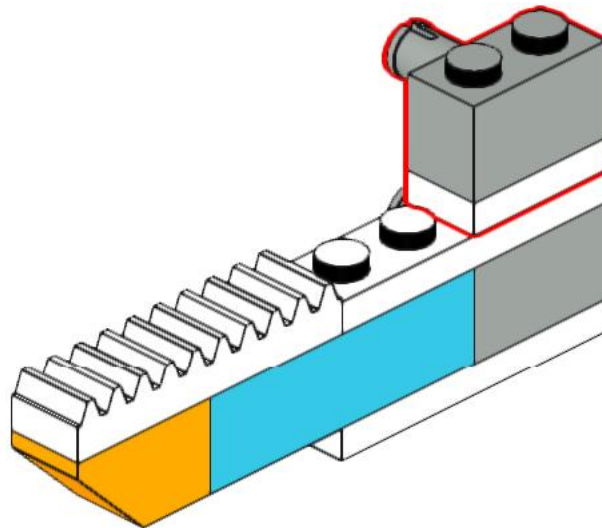
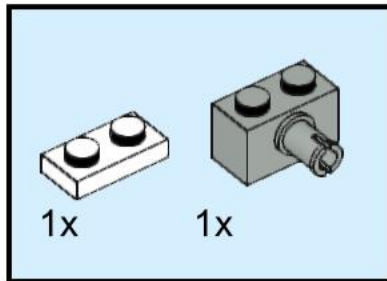
44



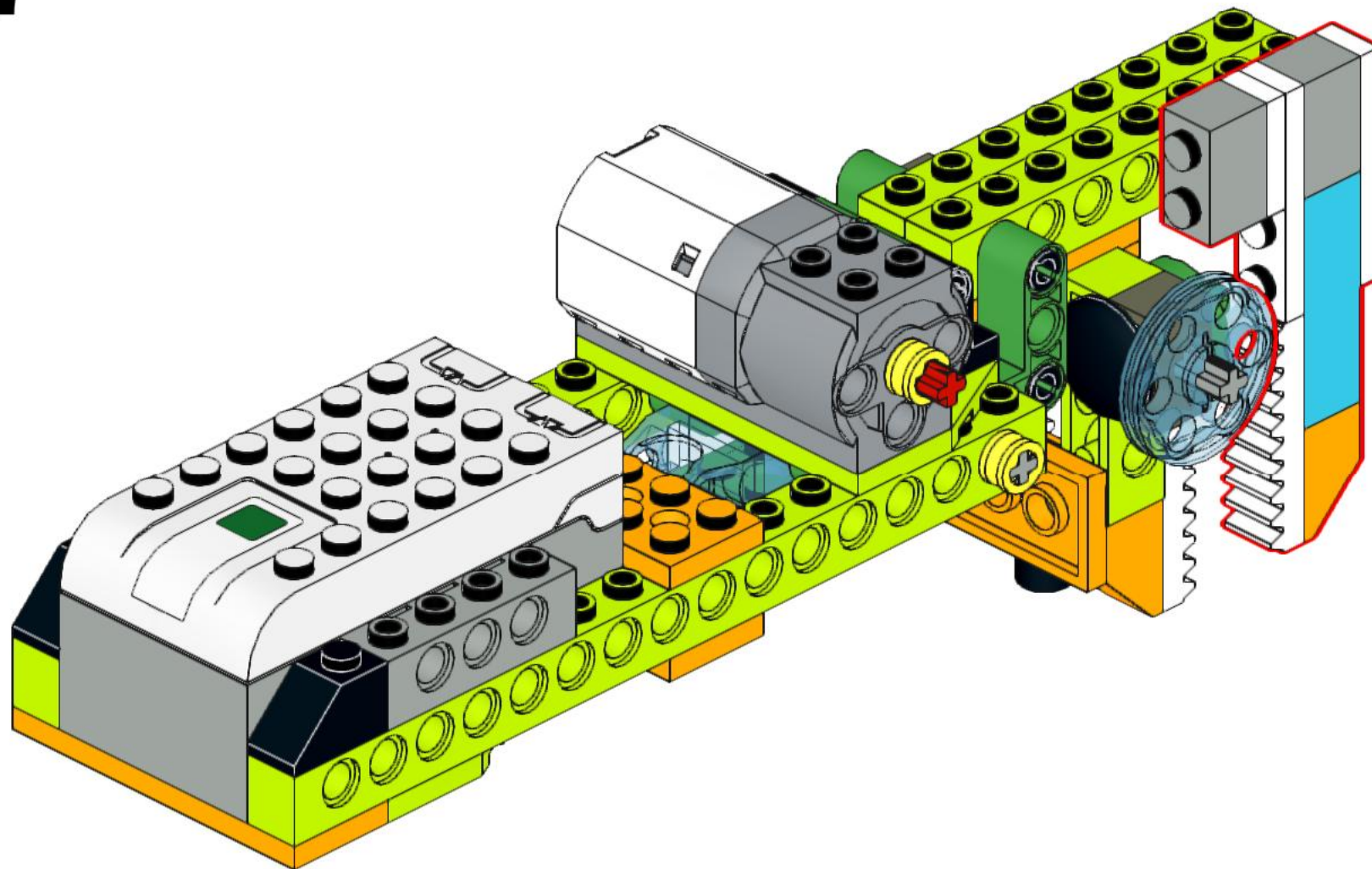
45



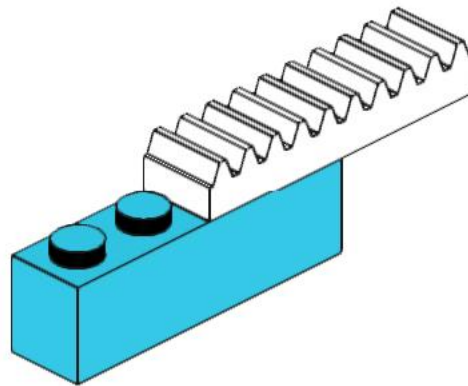
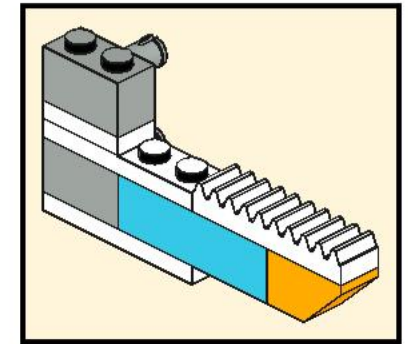
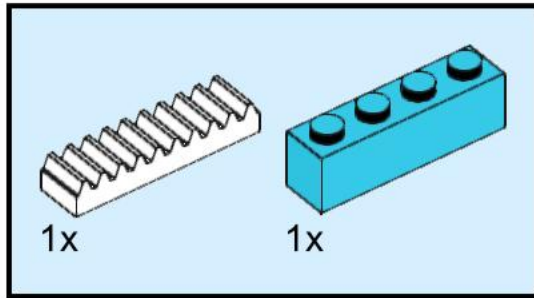
46



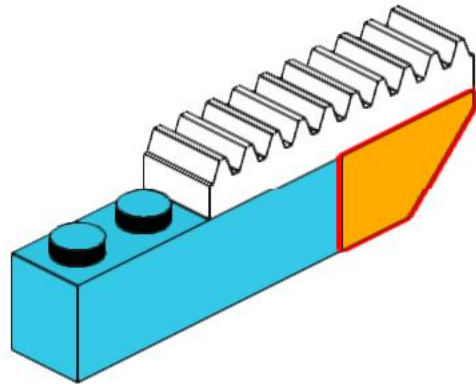
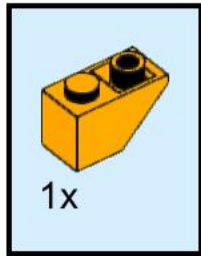
47



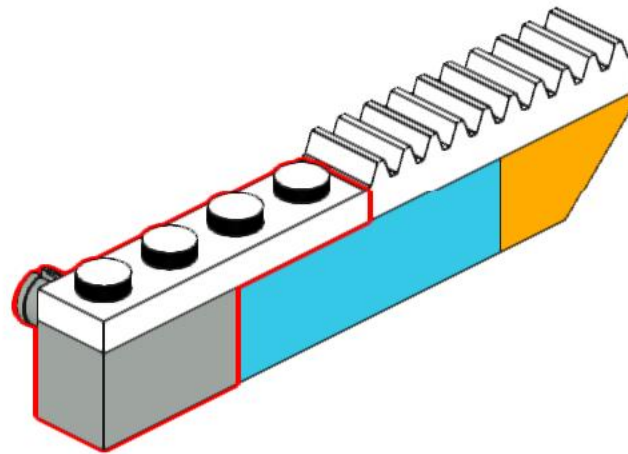
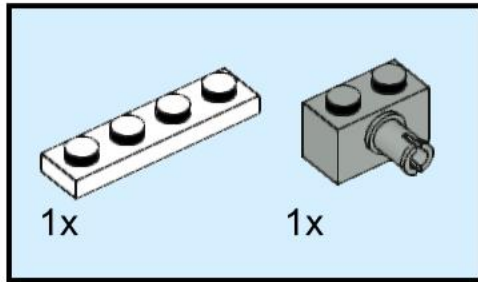
48



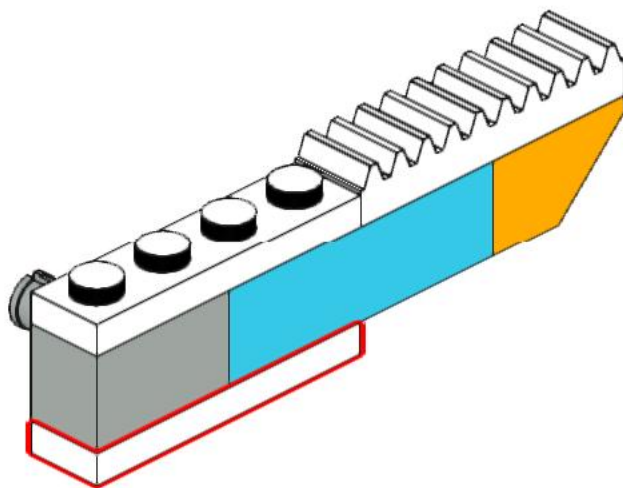
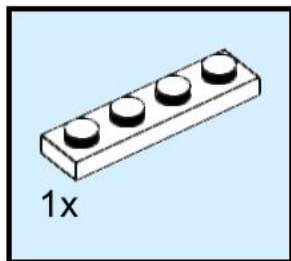
49



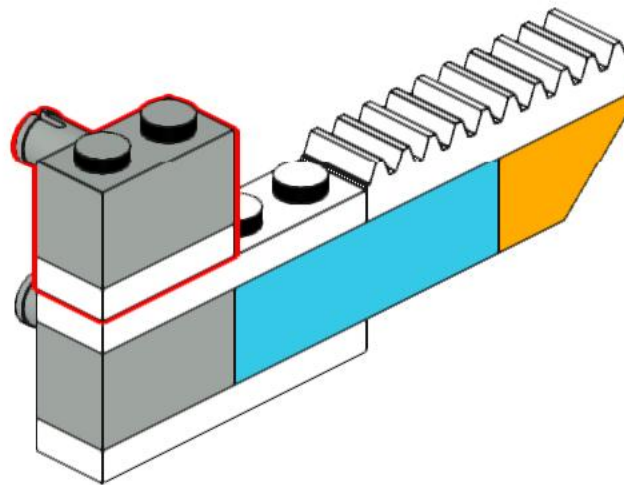
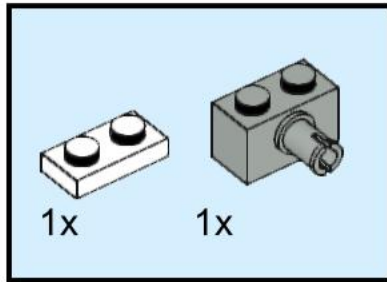
50



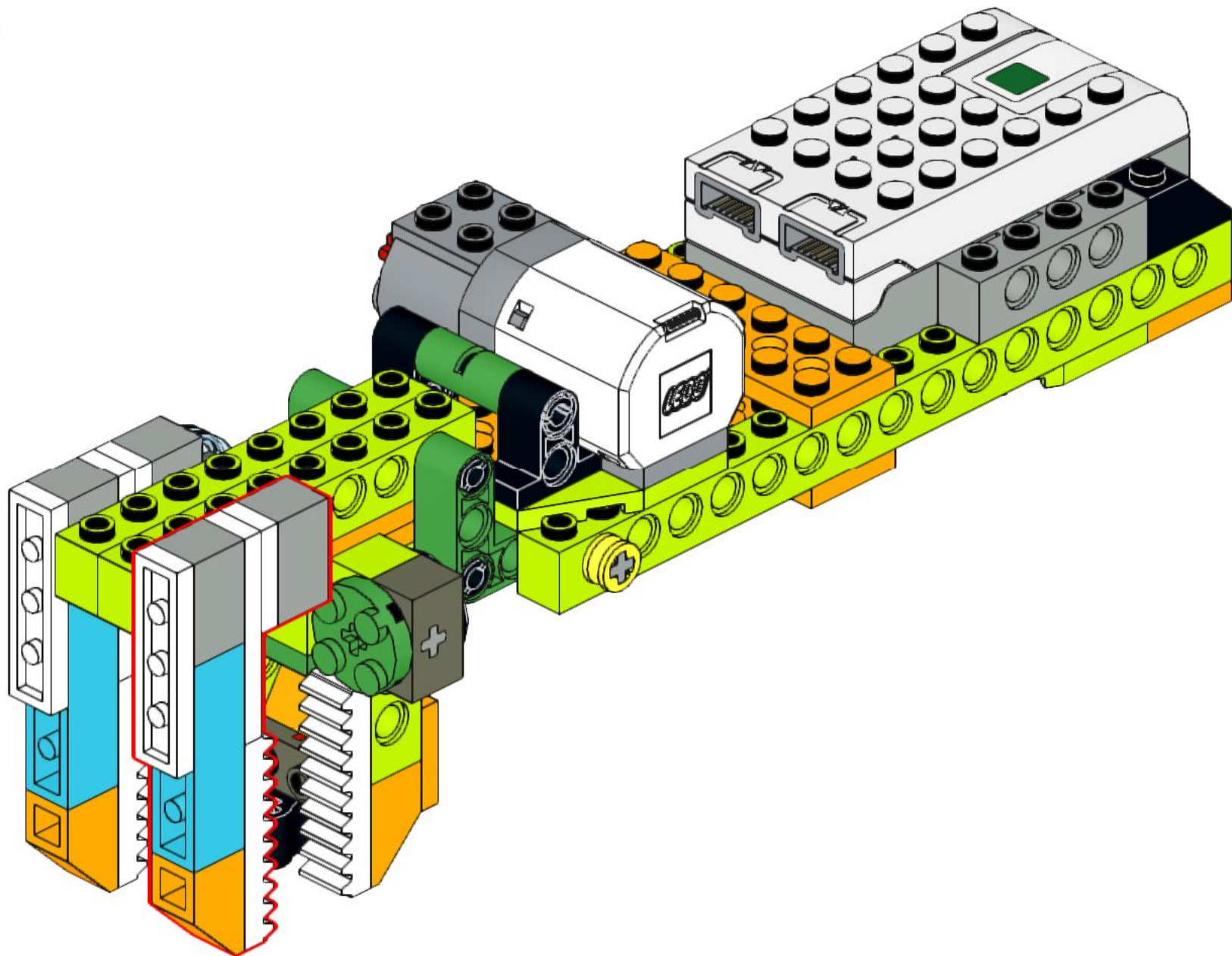
51



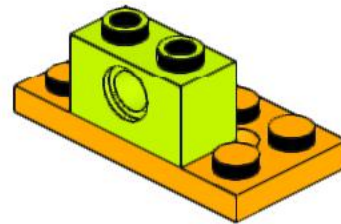
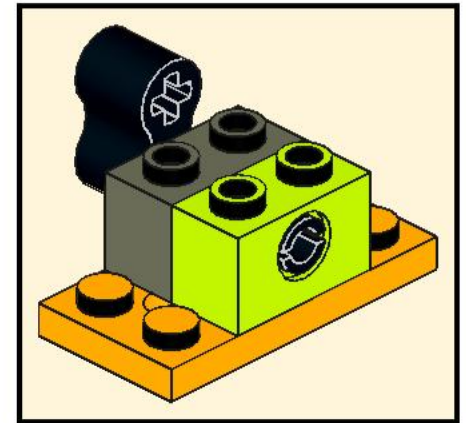
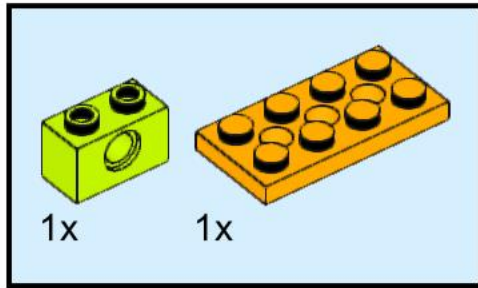
52



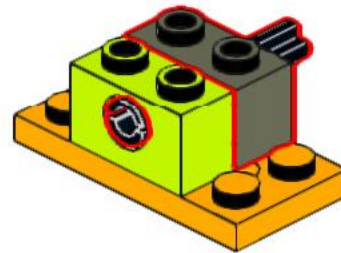
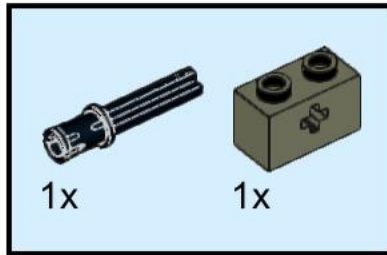
53



54



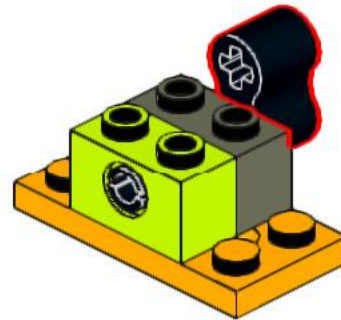
55



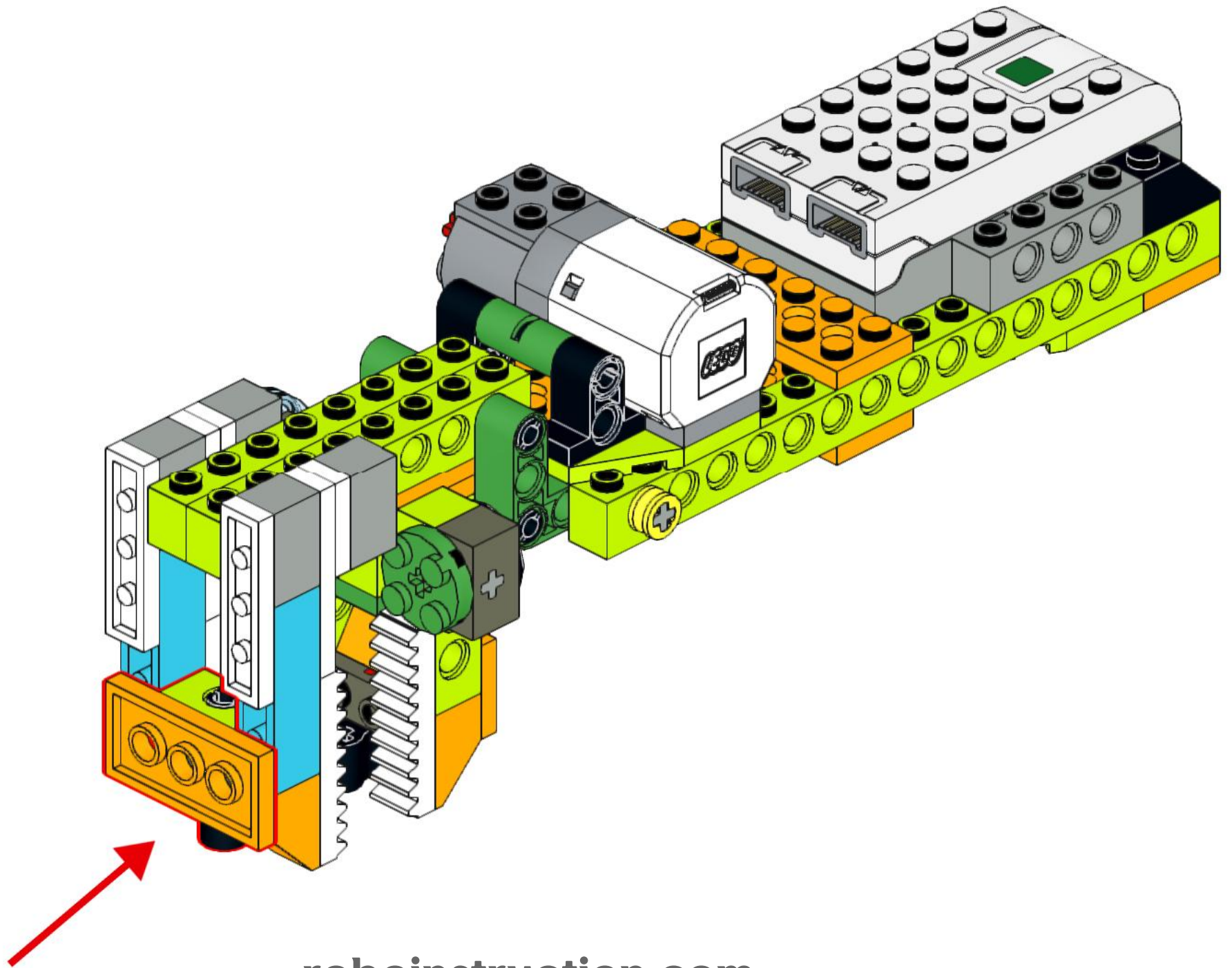
Axle Pin 3



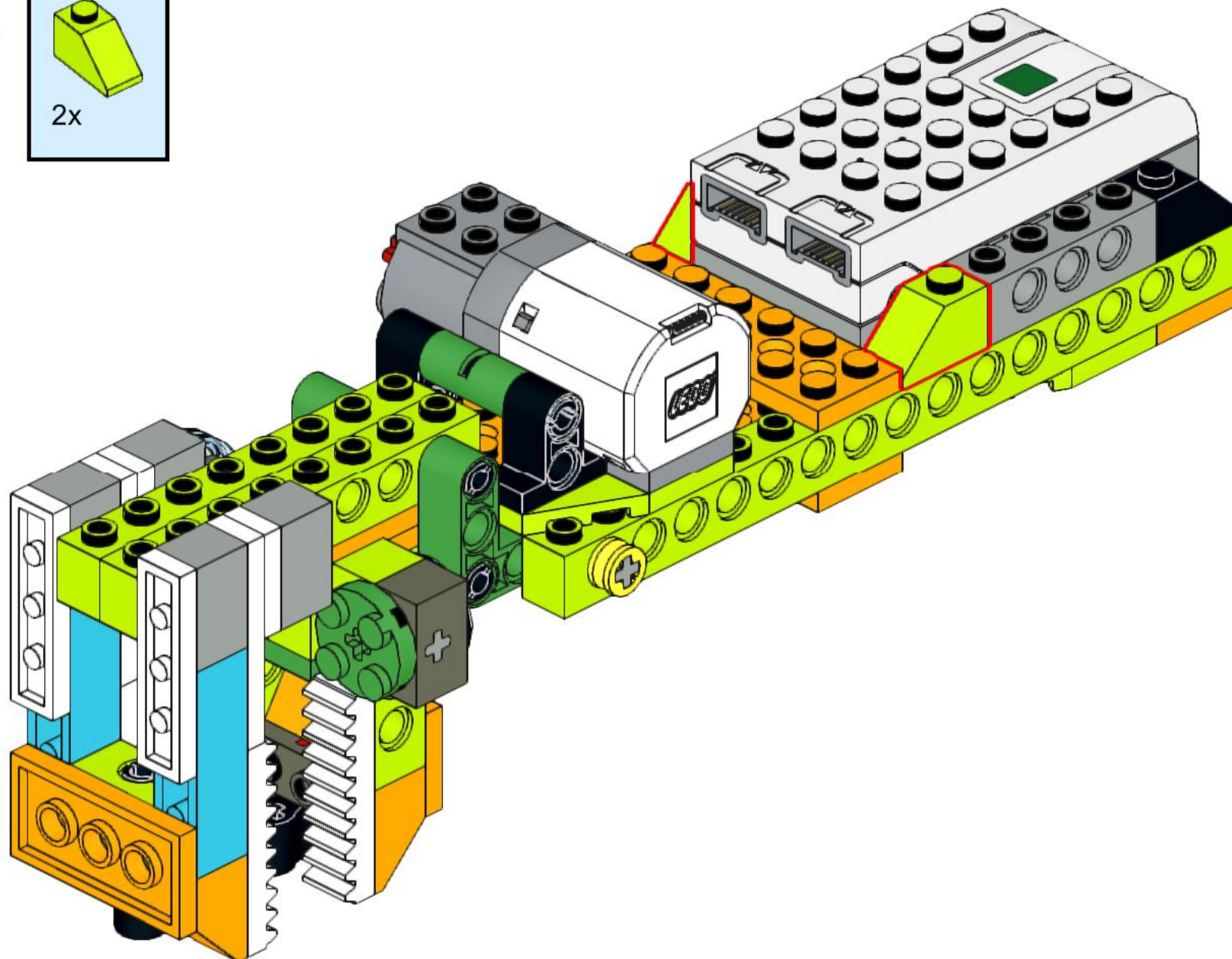
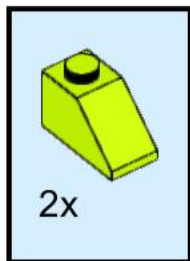
56



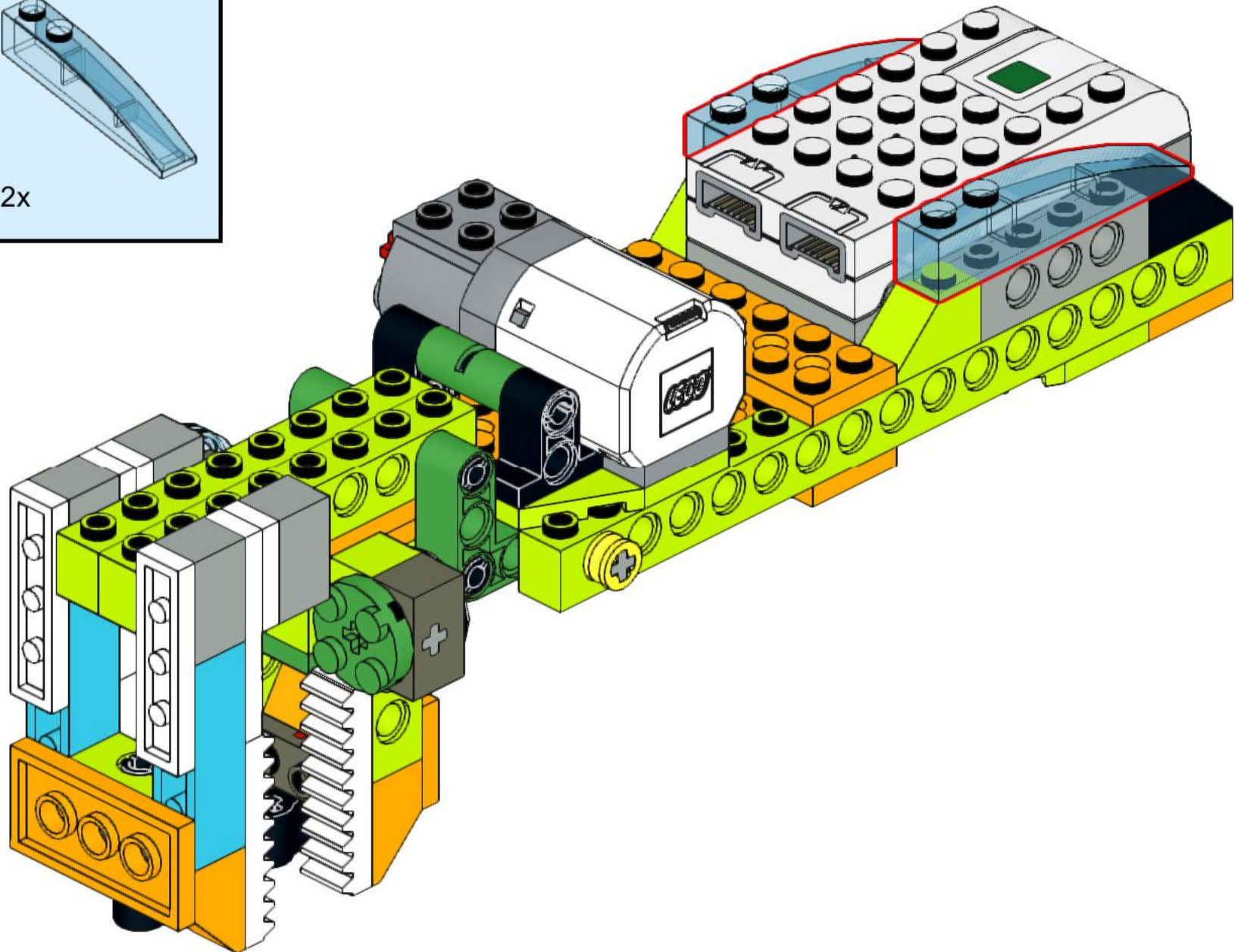
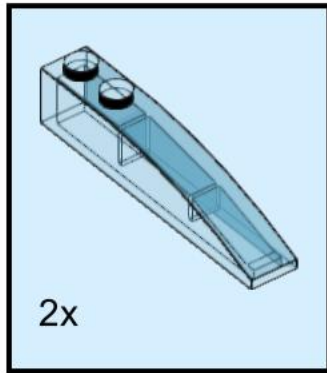
57



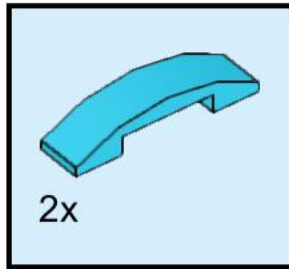
58



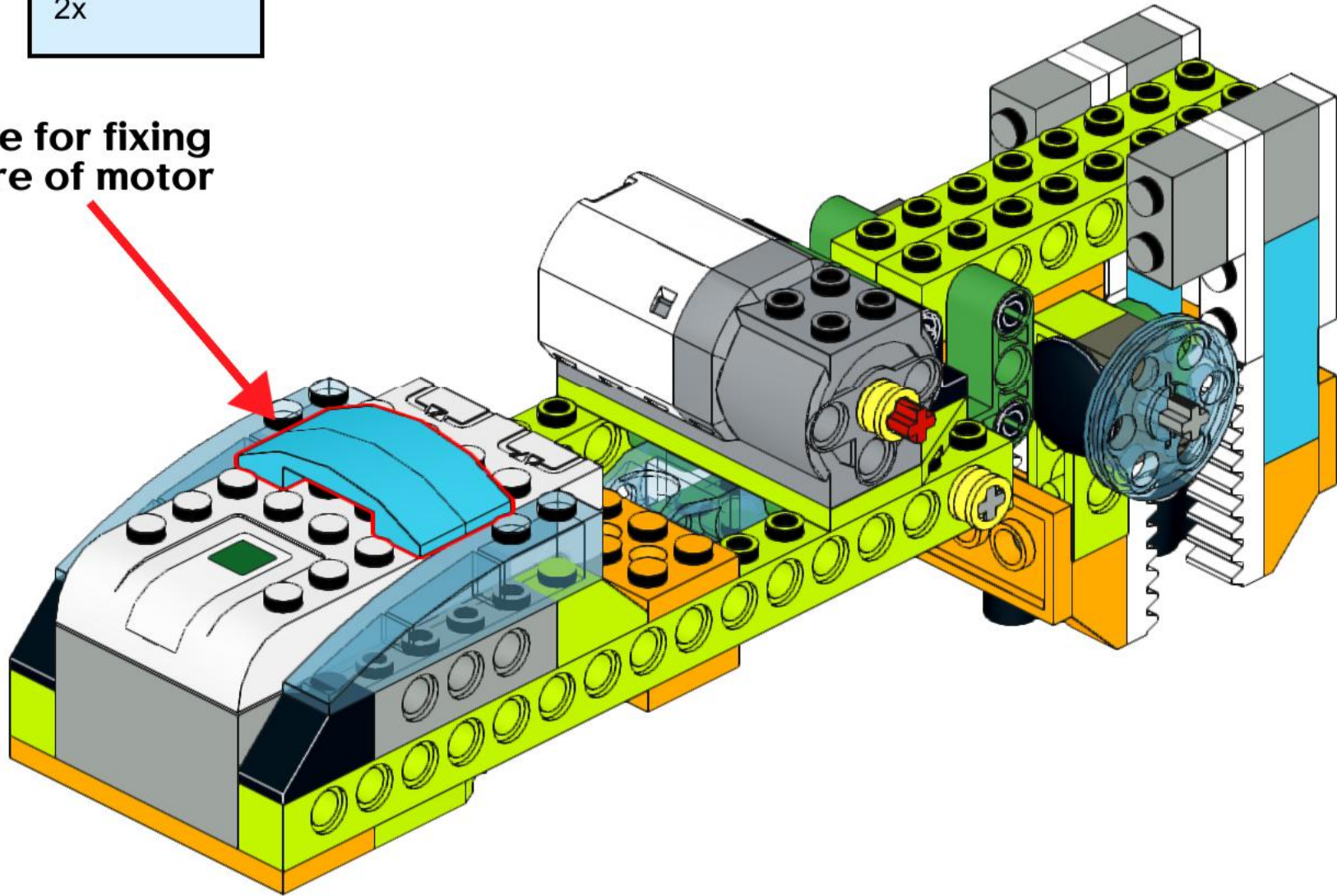
59



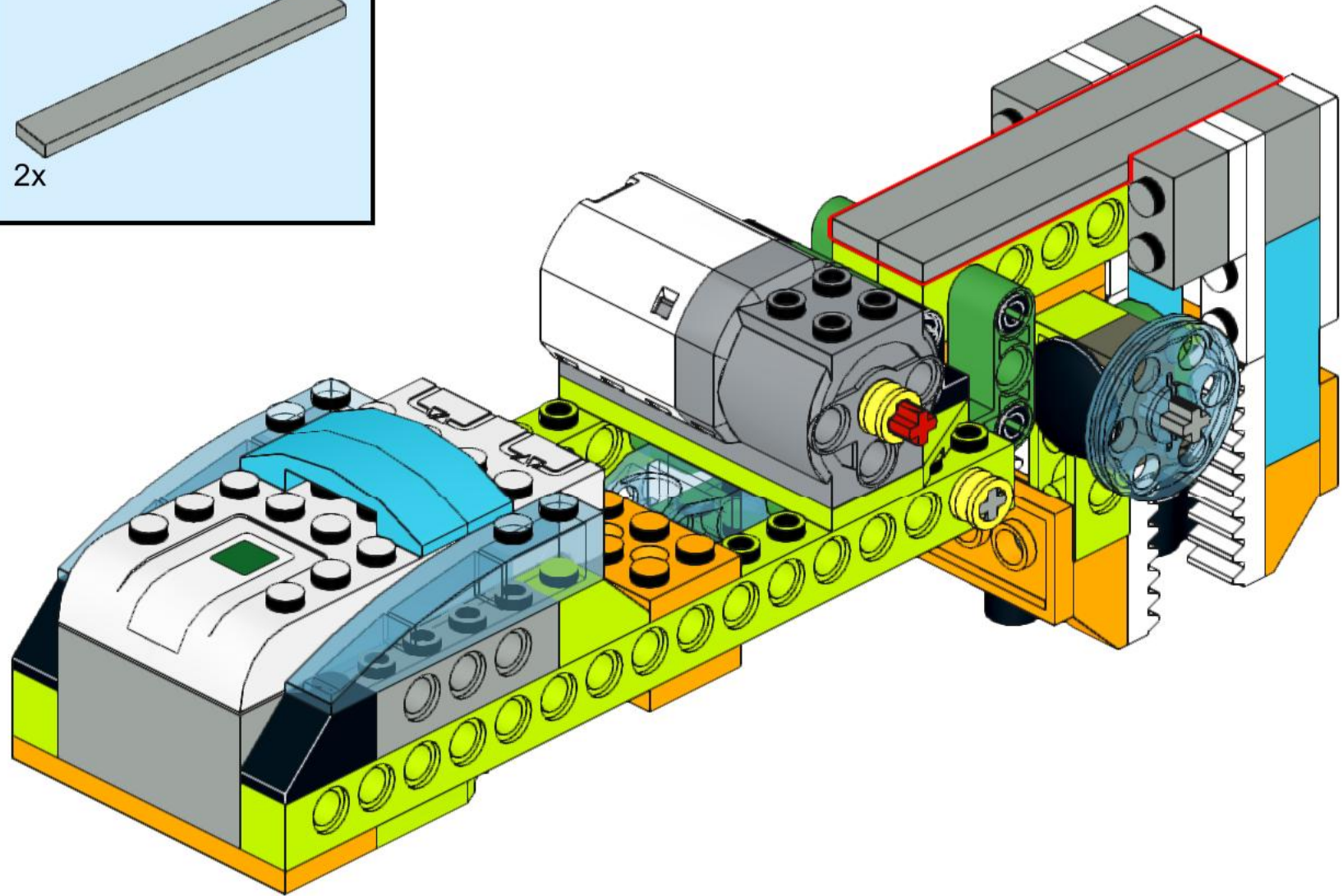
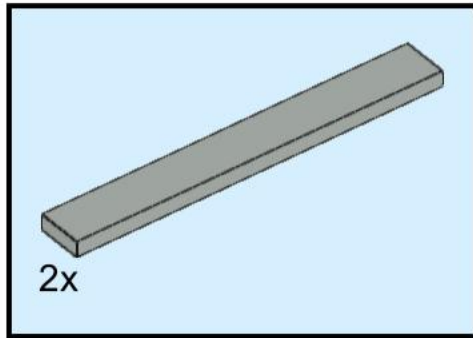
60



Use for fixing
wire of motor

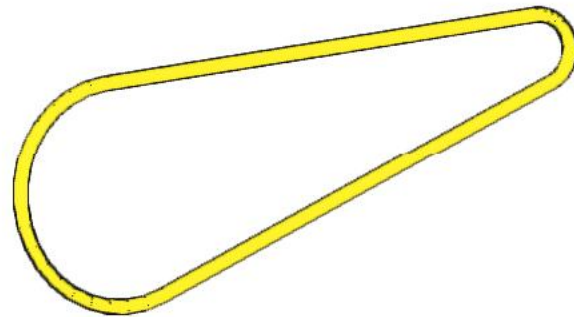


61



62

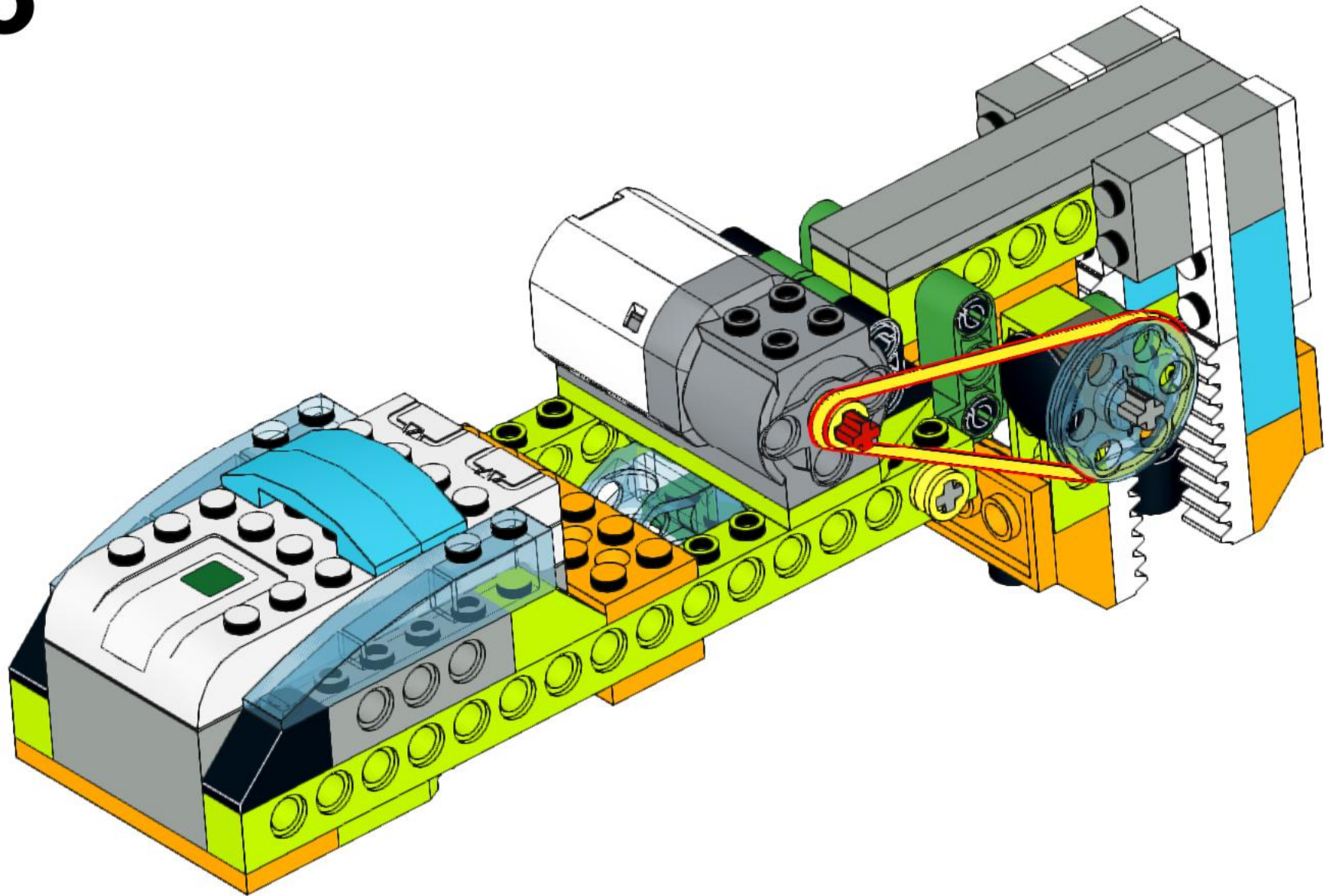
Find the rubber belt!



Guess - where is the right place of setting?

63

FINISH!



Parts List



6x



2x



2x



2x



2x



1x



4x



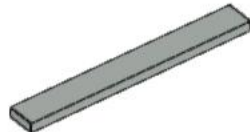
1x



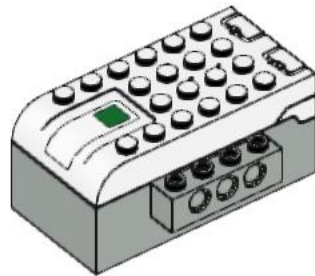
4x



2x



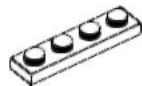
2x



1x



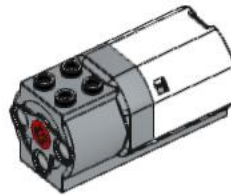
2x



4x



4x



1x



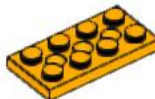
2x



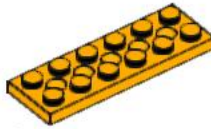
1x



4x



3x



4x



34x



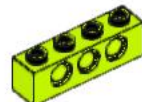
3x



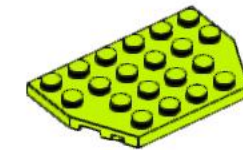
2x



2x



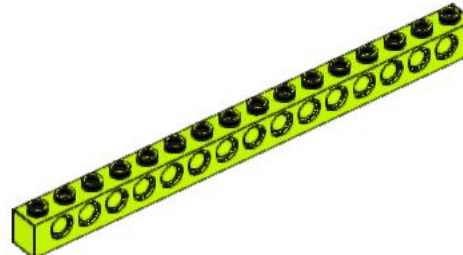
4x



2x



2x



2x



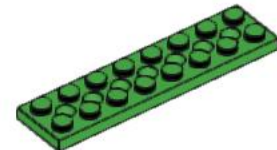
1x



2x



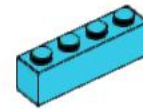
2x



1x



2x



2x



1x



1x



2x

Example of program



Improve and create your own program!