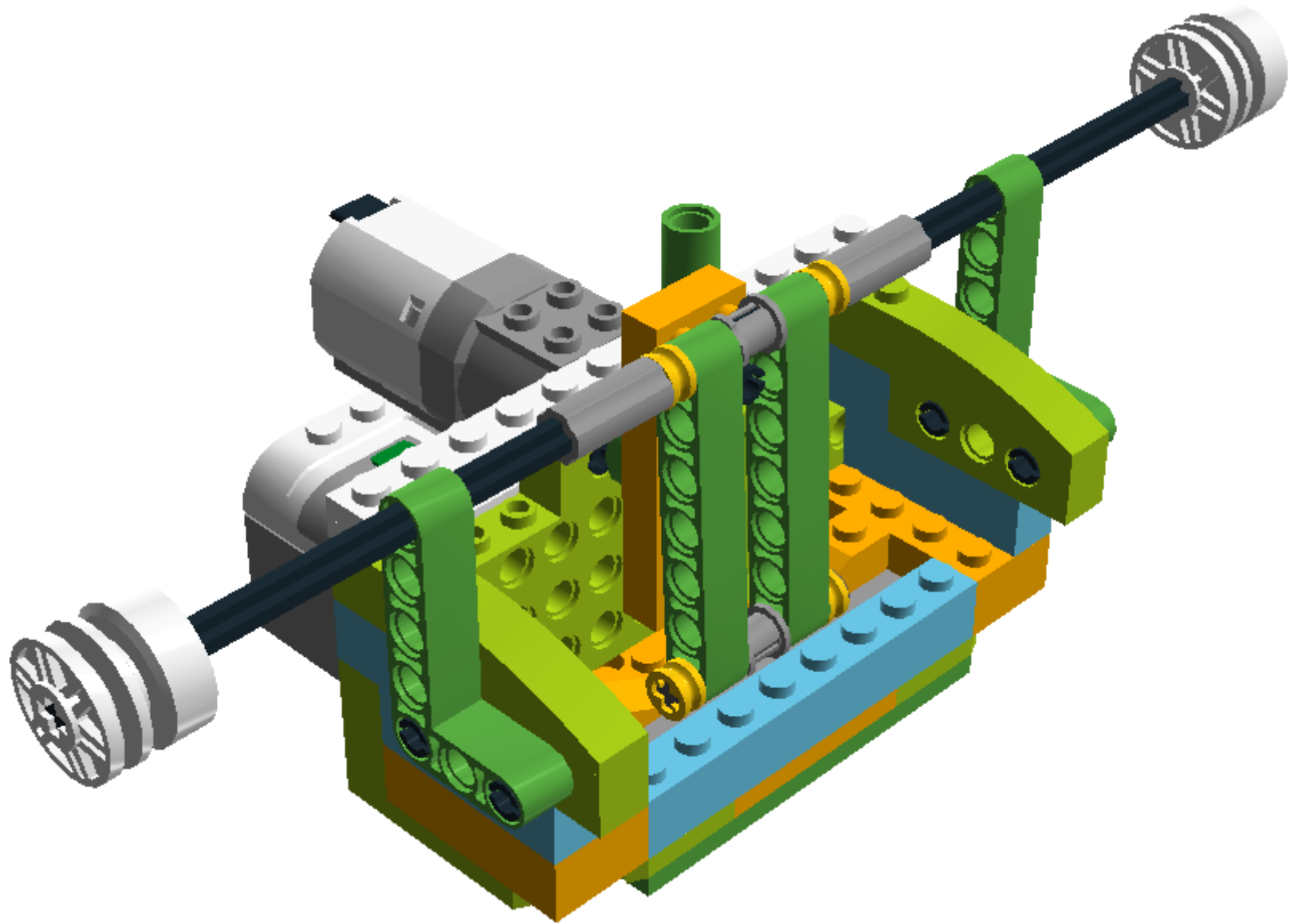


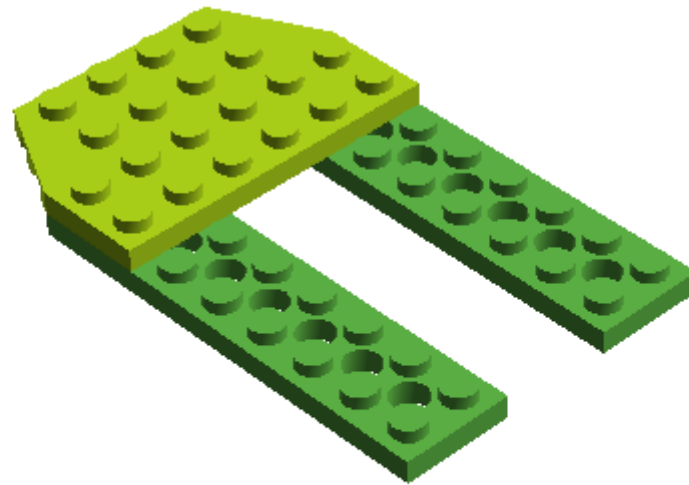
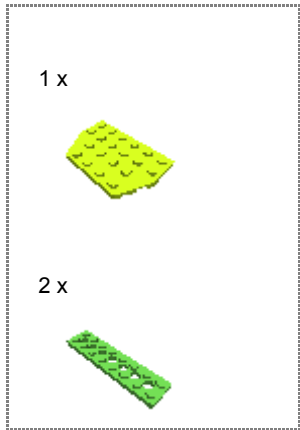
LEGO DIGITAL DESIGNER 4.2

Model Name:
Scotch Yoke Mechanism

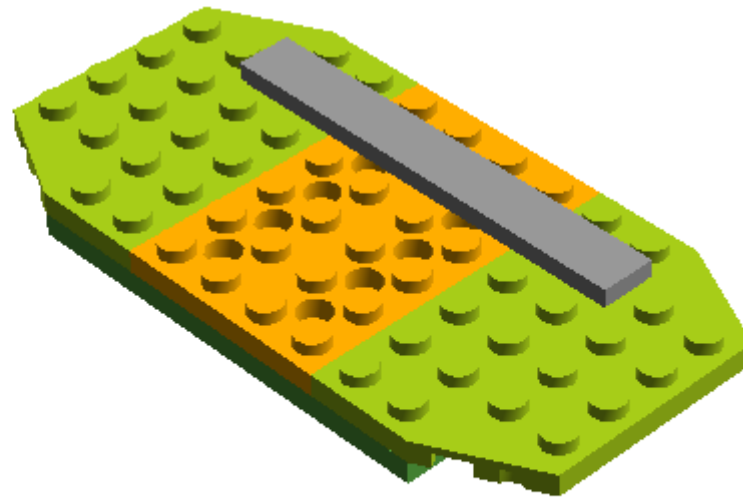
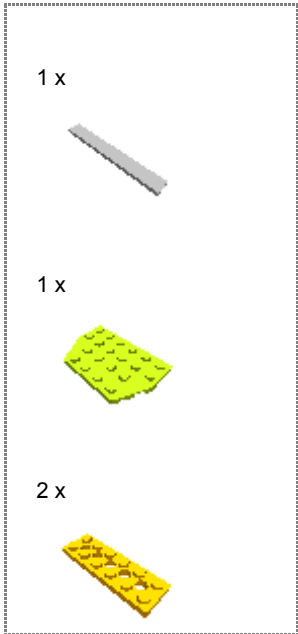
Number of Bricks: **59**



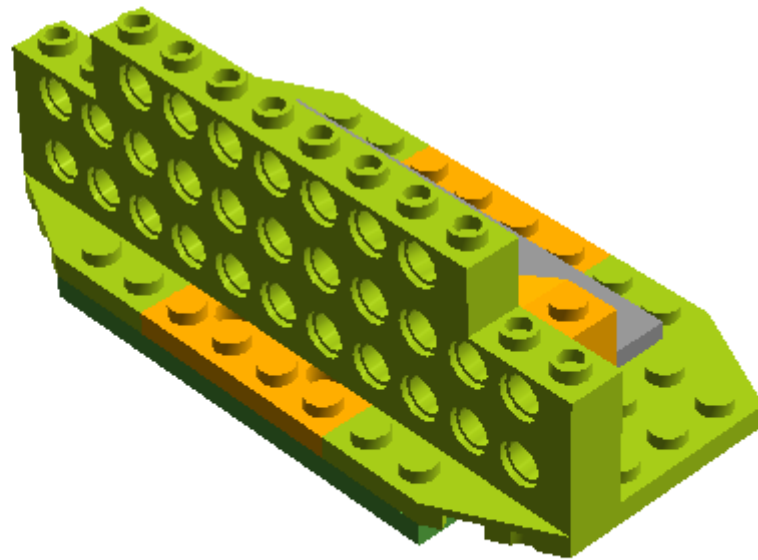
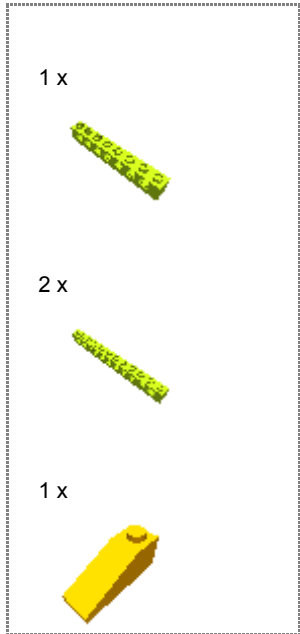
Step 1 of 20



Step 2 of 20

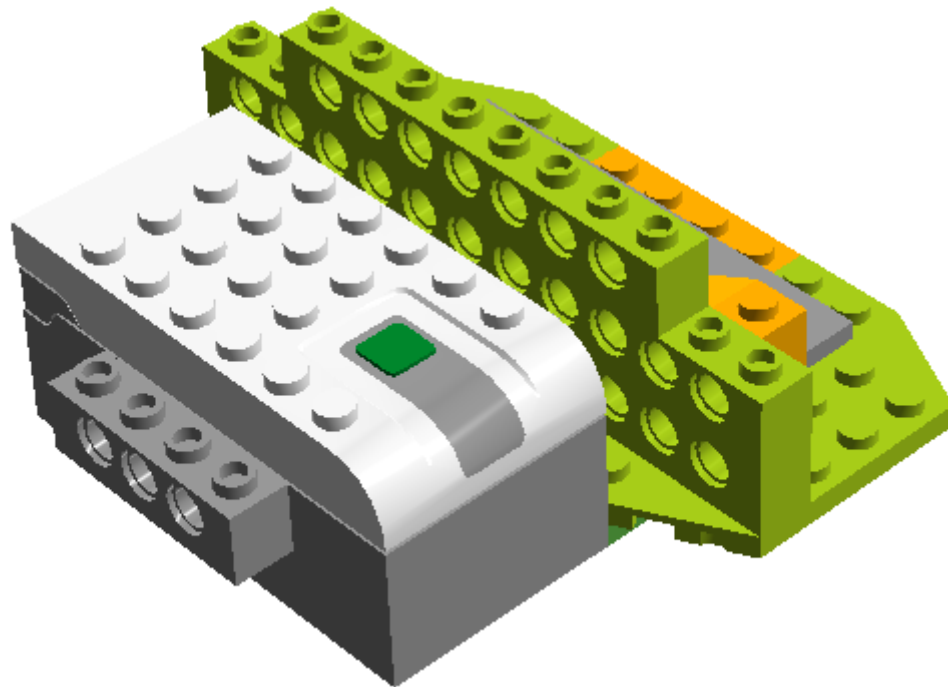
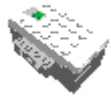


Step 3 of 20

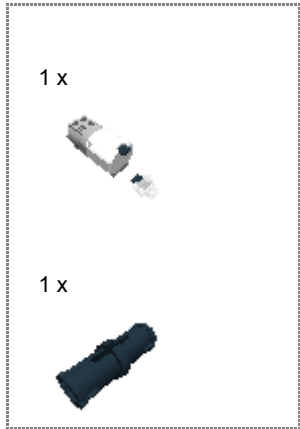


Step 4 of 20

1 x



Step 5 of 20



Step 6 of 20

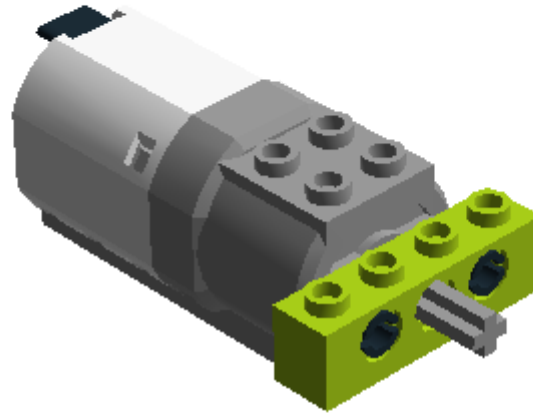
1 x



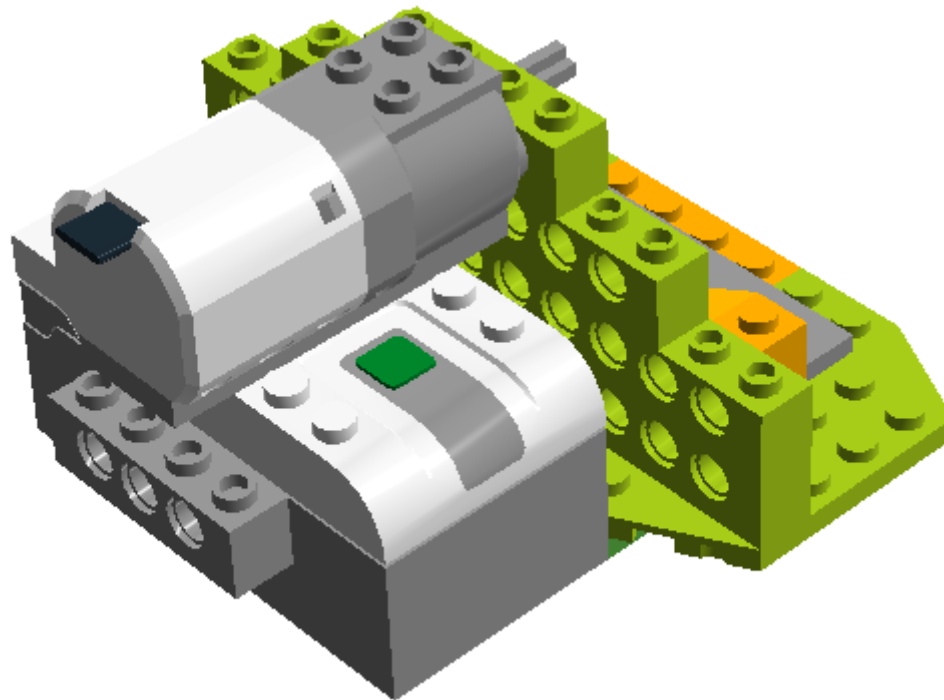
1 x



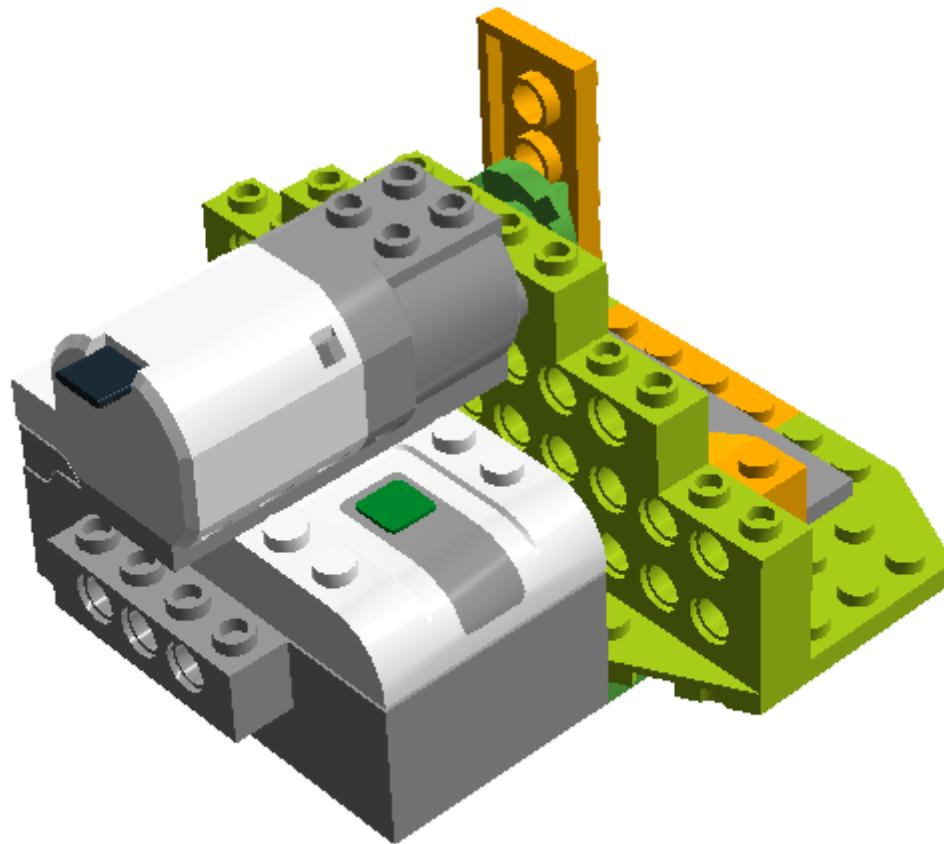
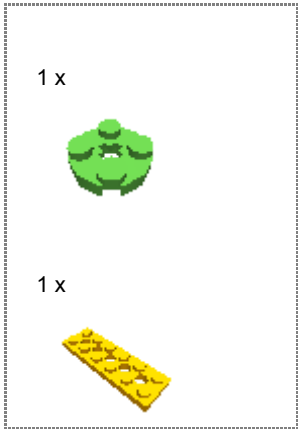
1 x



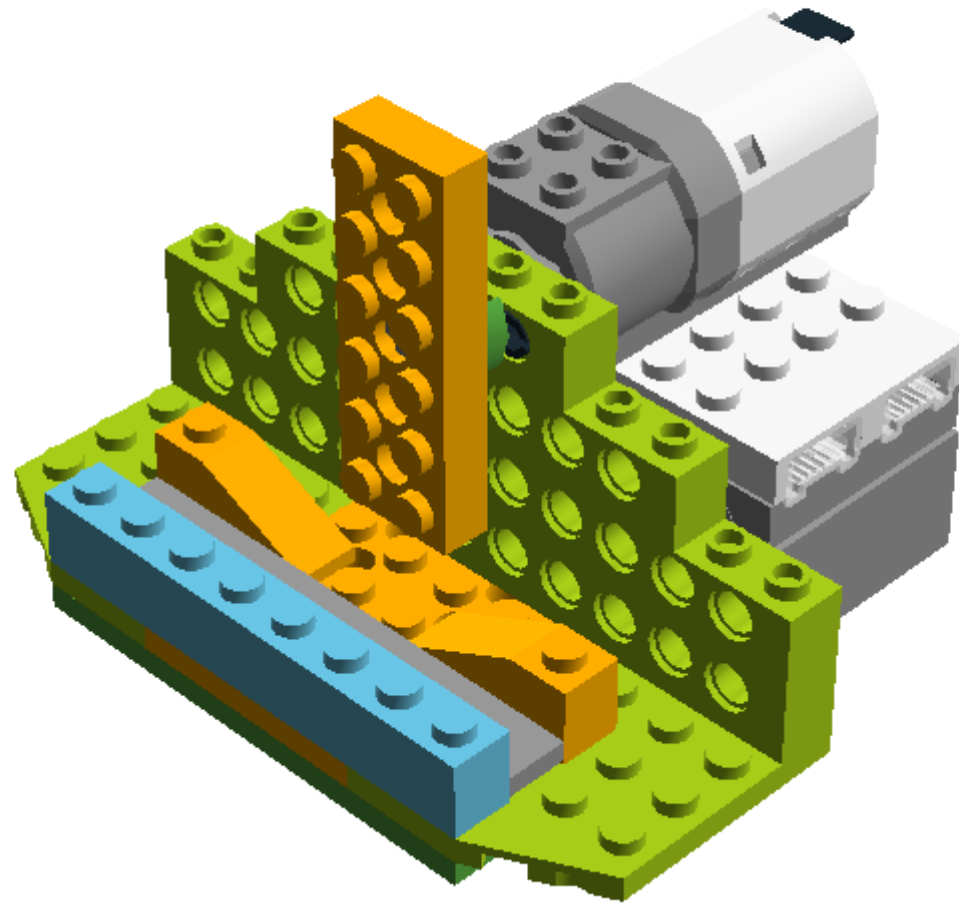
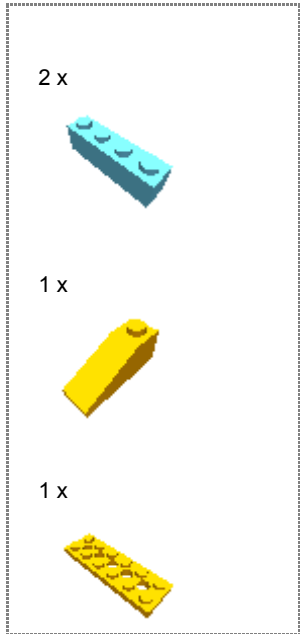
Step 7 of 20



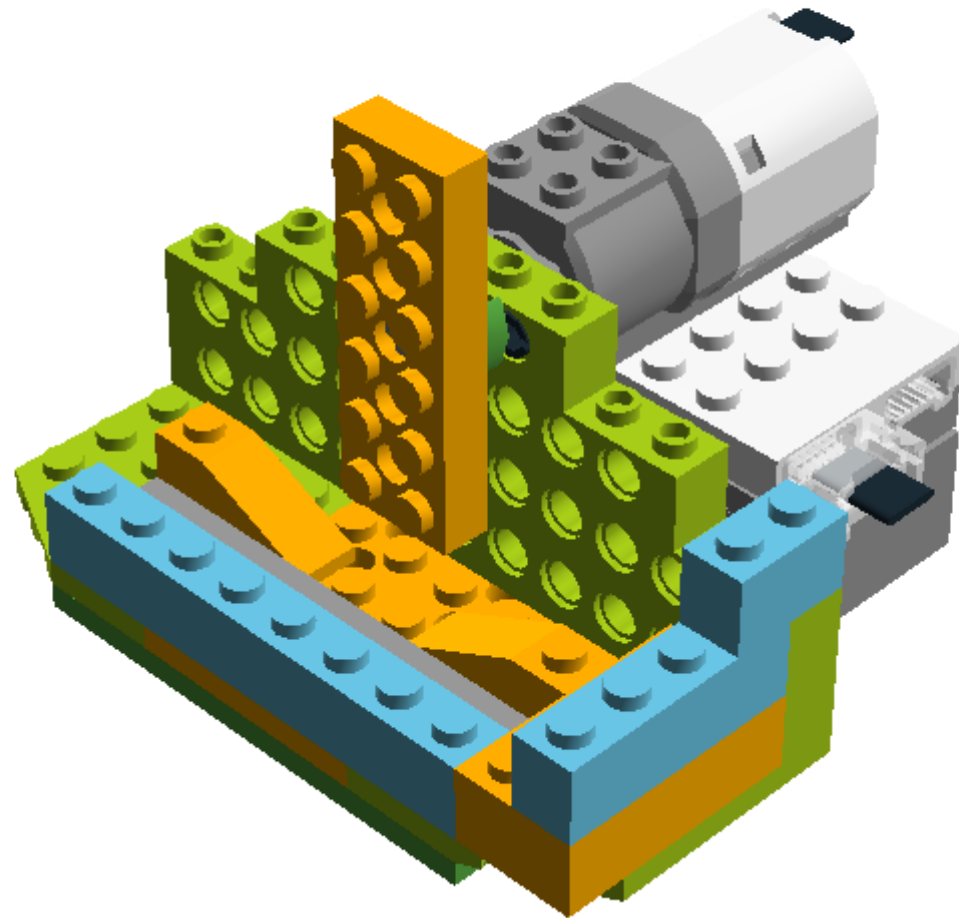
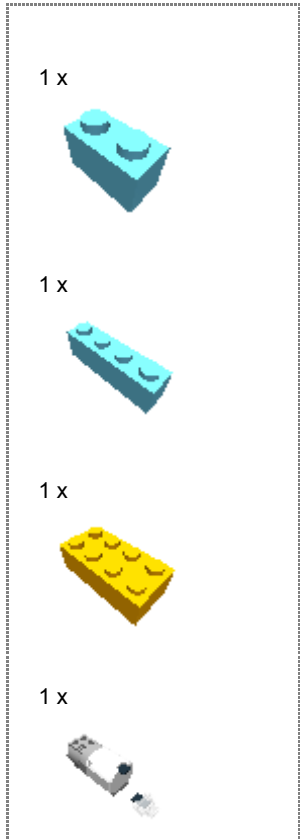
Step 8 of 20



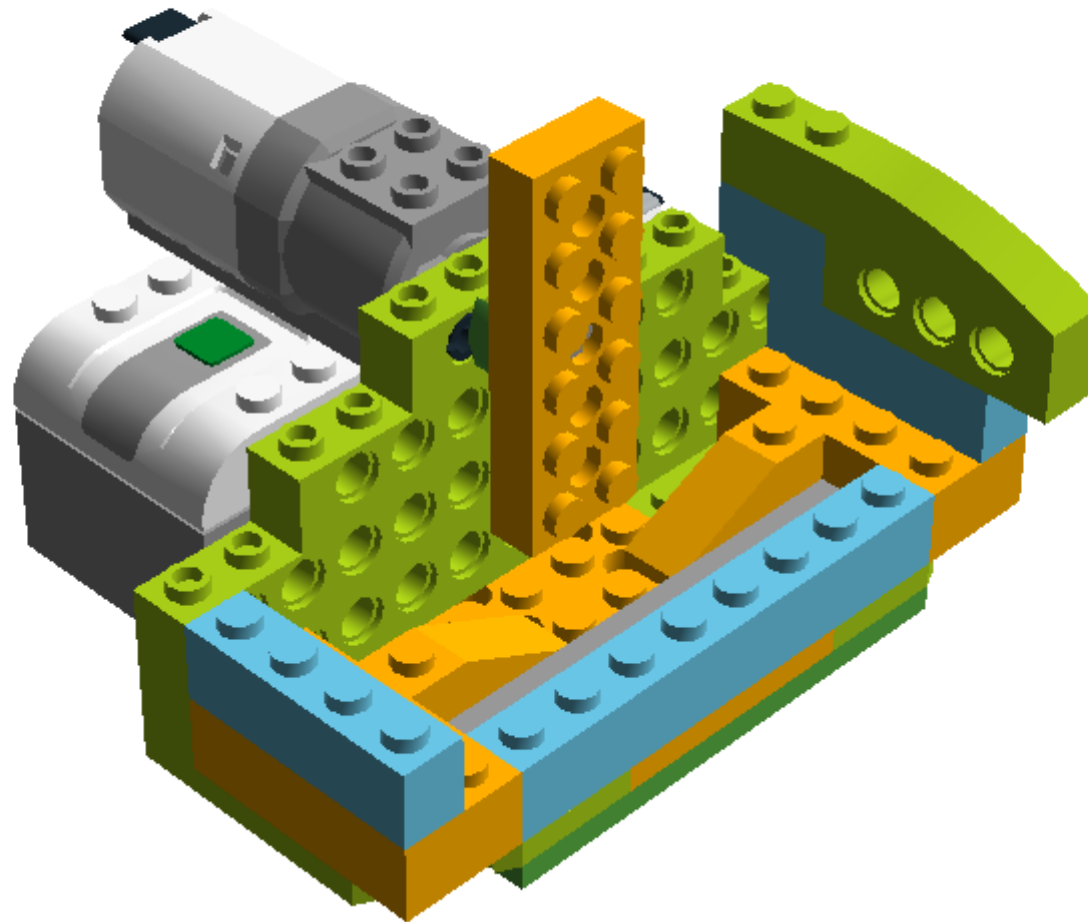
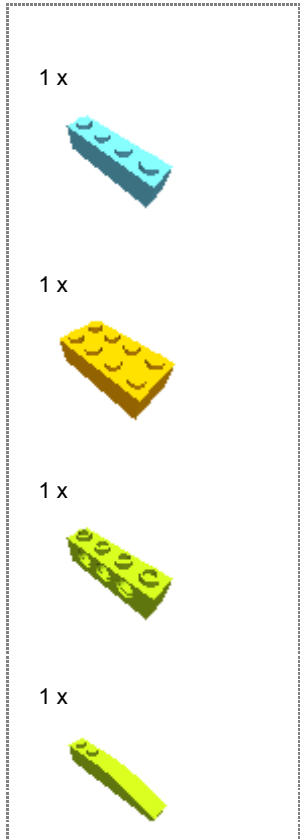
Step 9 of 20



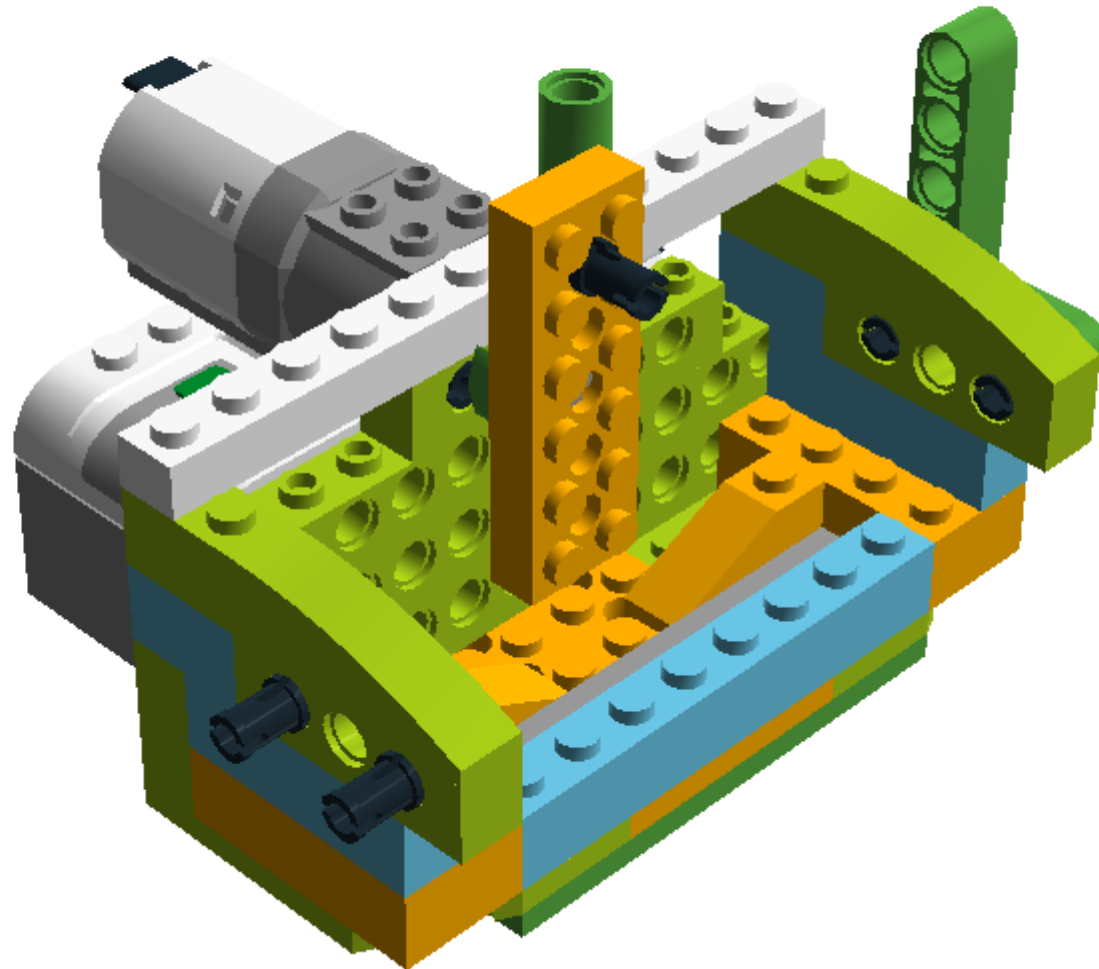
Step 10 of 20



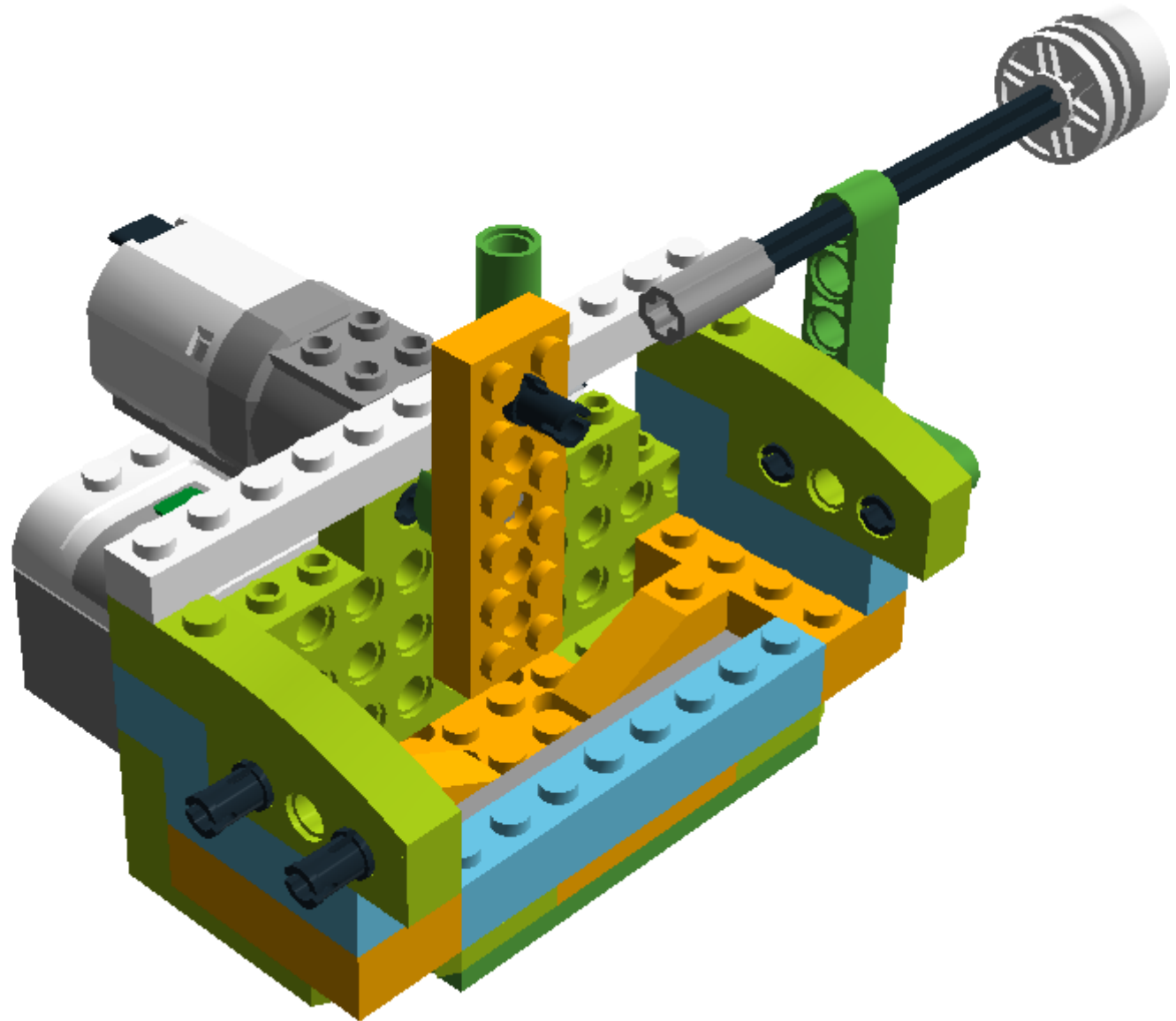
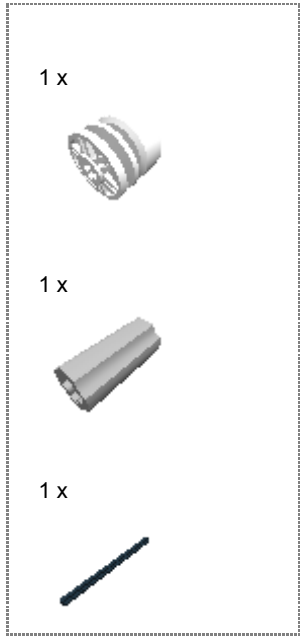
Step 11 of 20



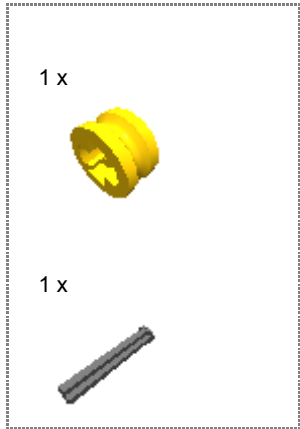
Step 14 of 20



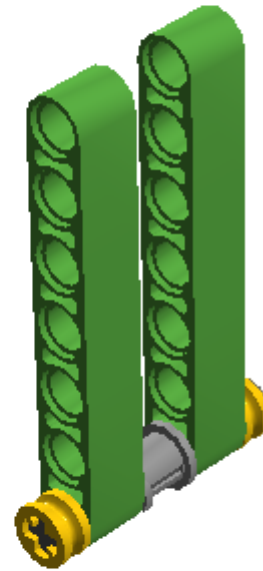
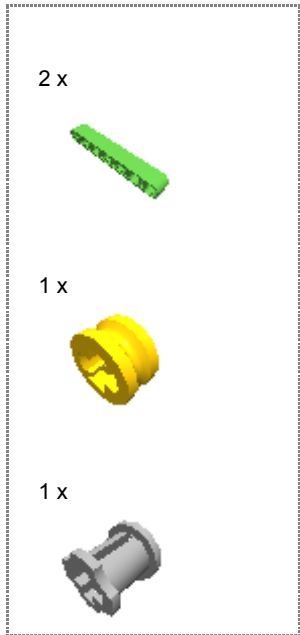
Step 15 of 20



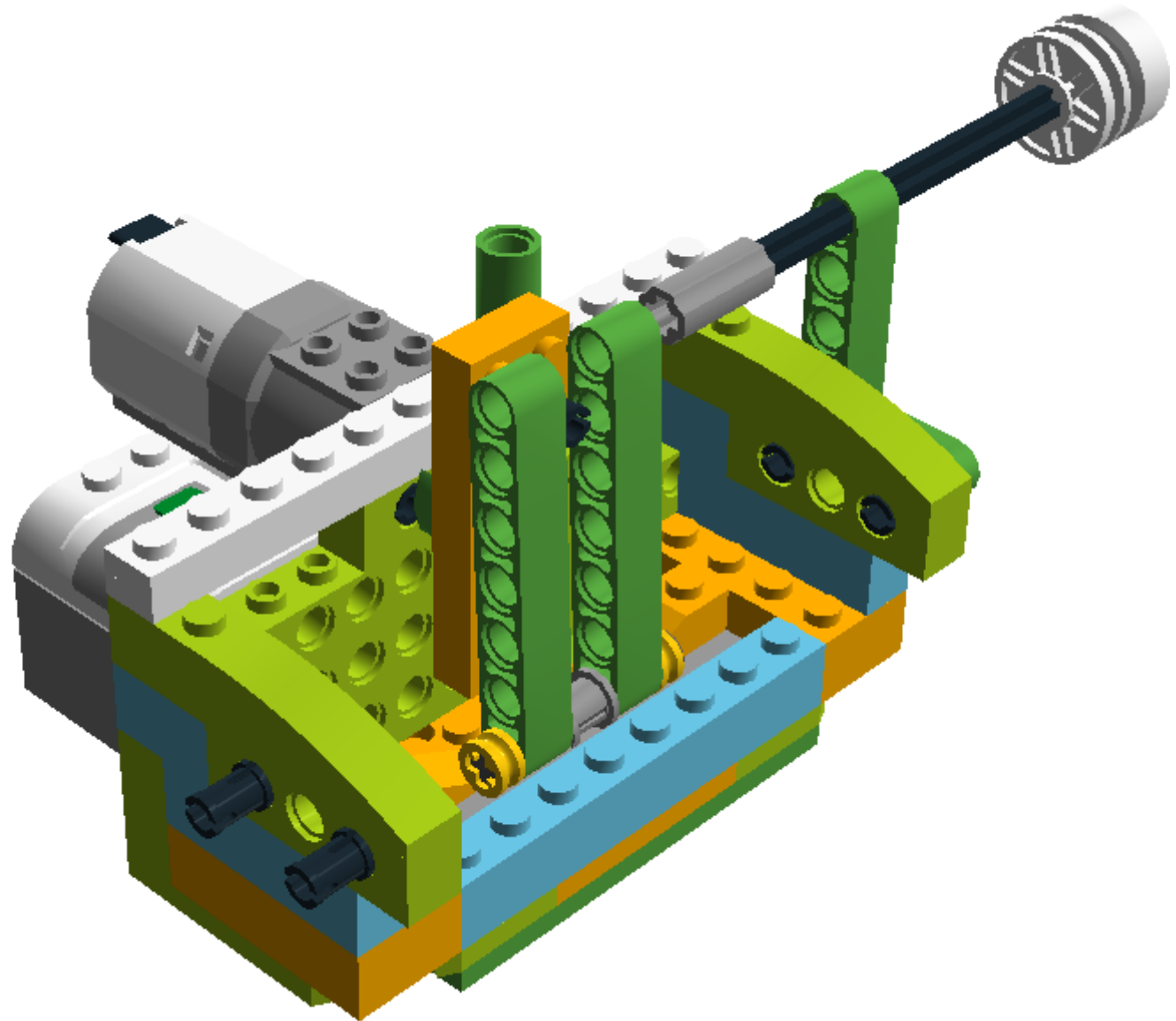
Step 16 of 20



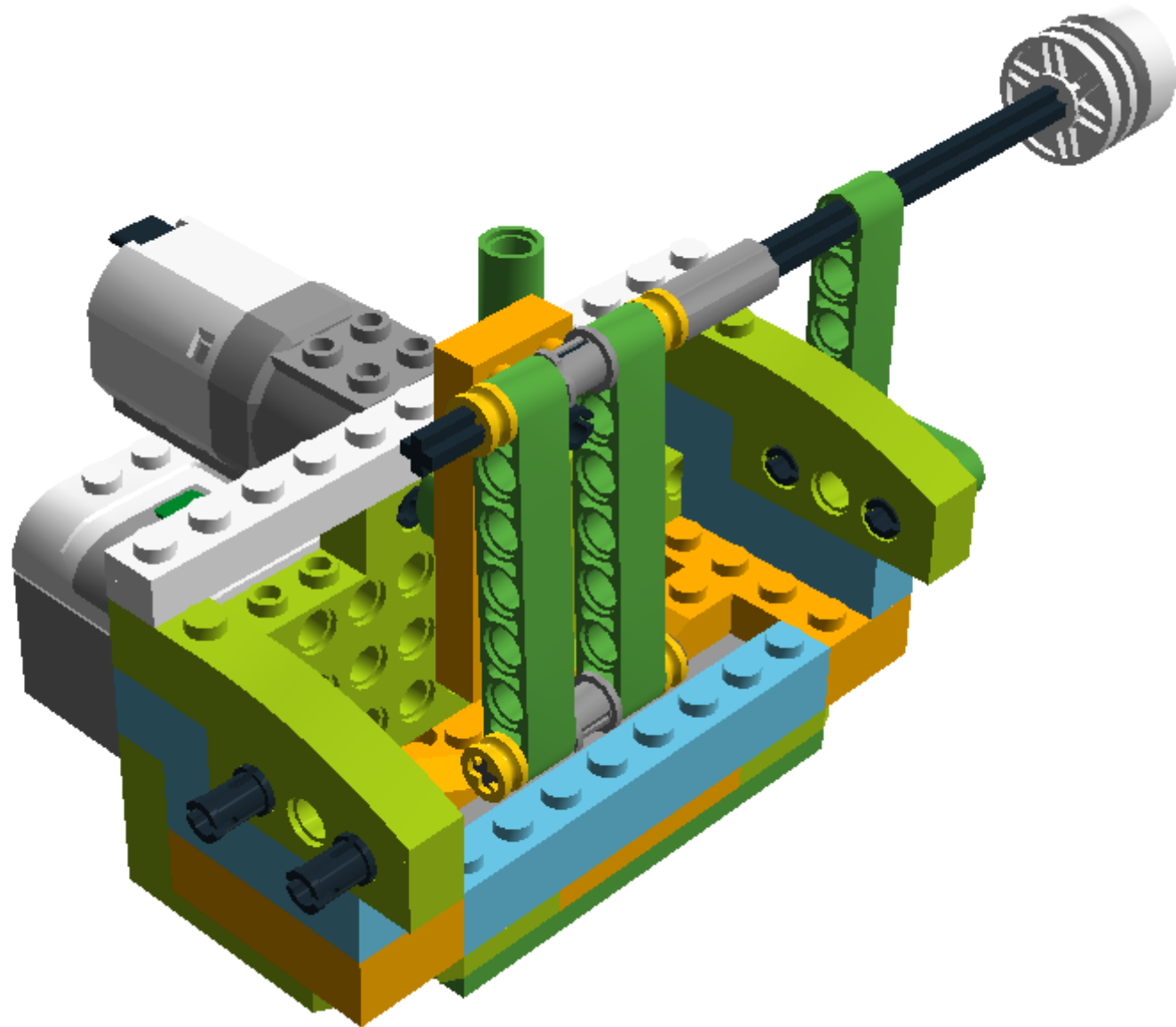
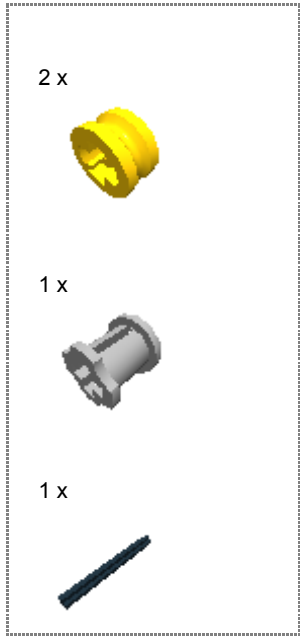
Step 17 of 20







Step 18 of 20

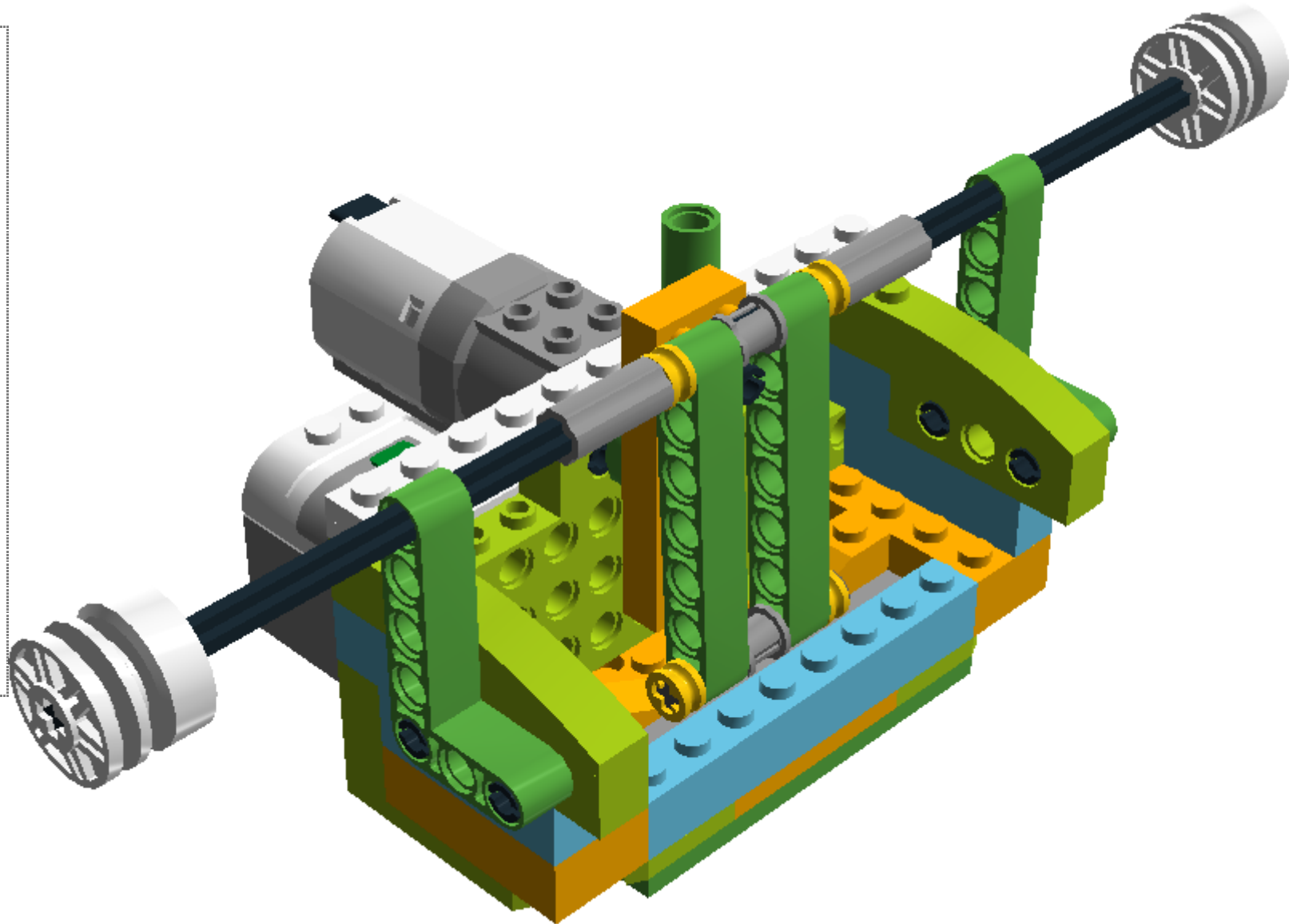


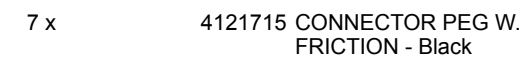
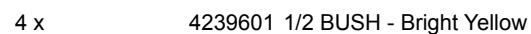
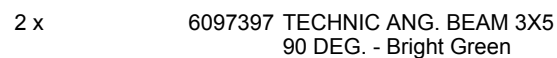
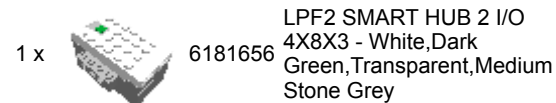
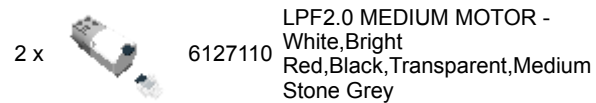
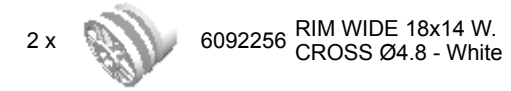
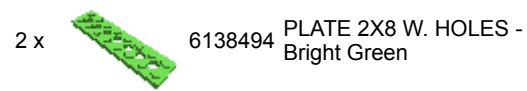
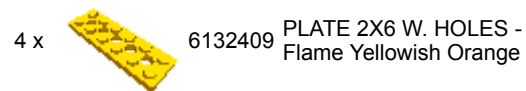
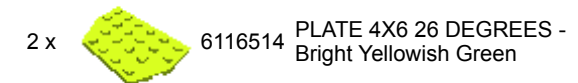
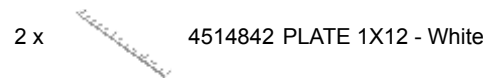
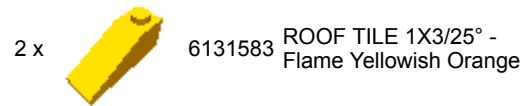
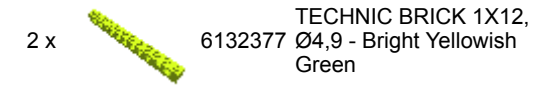
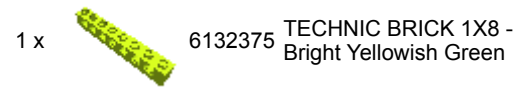
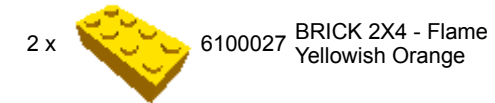
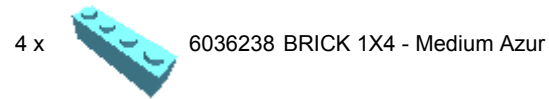
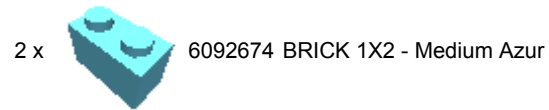
Step 19 of 20




Step 20 of 20

- 1 x 
- 1 x 
- 1 x 
- 1 x 











1 x  4211815 CROSS AXLE 3M - Medium Stone Grey


2 x  4211622 BUSH FOR CROSS AXLE - Medium Stone Grey

2 x  4512360 CROSS AXLE, EXTENSION, 2M - Medium Stone Grey

1 x  6097400 TUBE Ø7,84 2M - Bright Green

1 x  370626 CROSS AXLE 6M - Black

1 x  6083620 CROSS AXLE 4M WITH END STOP - Dark Stone Grey

2 x  373726 CROSS AXLE 10M - Black

© 2012 The LEGO Group. All rights reserved.
Use of the LEGO Digital Designer html print tool, signifies your agreement to the terms of use.