

1936 War Aircraft

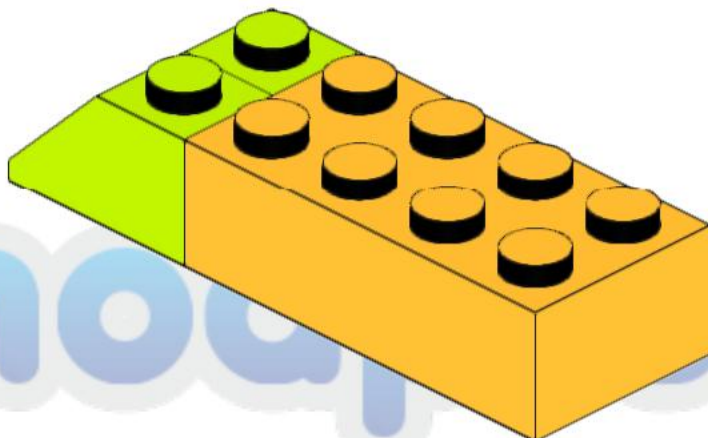
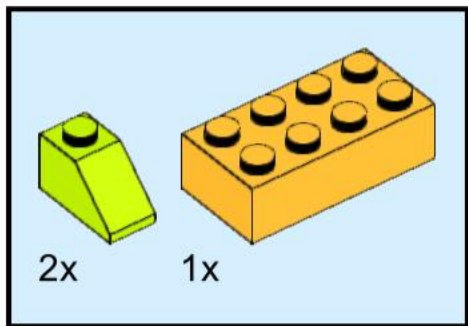
Tilt Sensor Speed



Academia creativa de tecnología

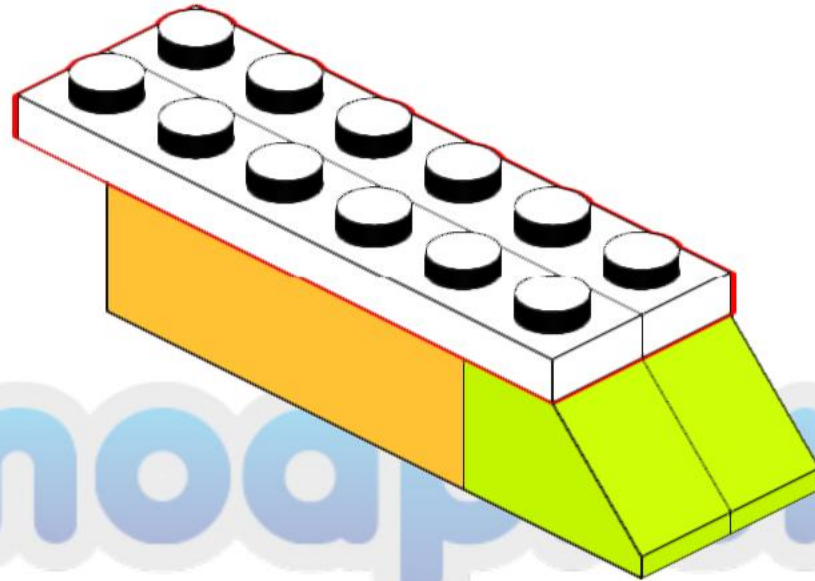
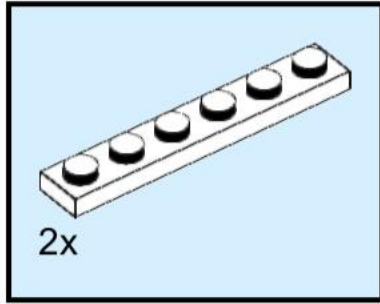
Tecnoaprendo

1



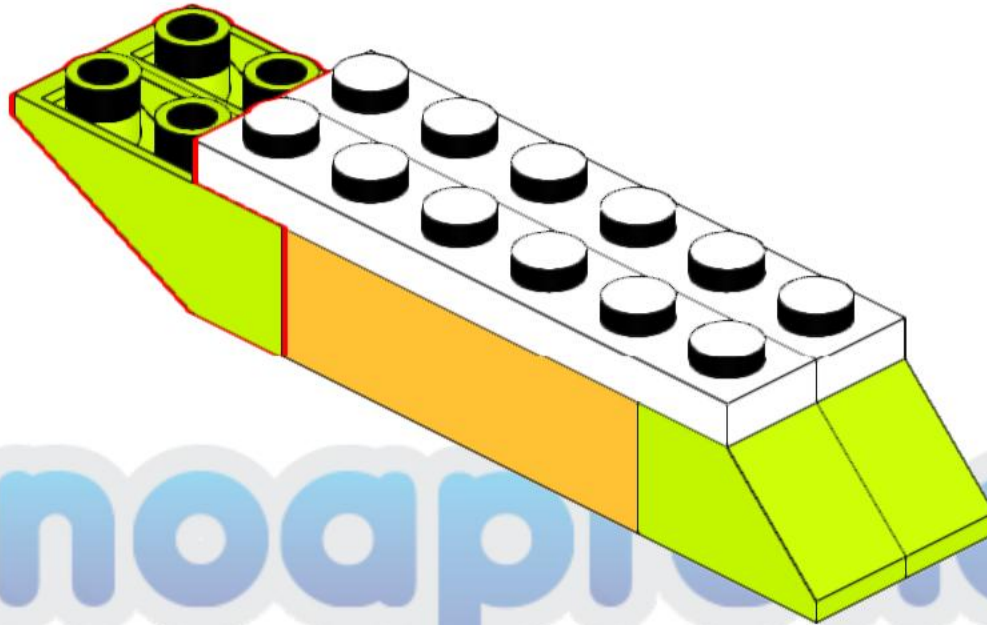
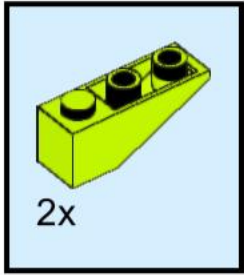
Tecnologia e Design

2



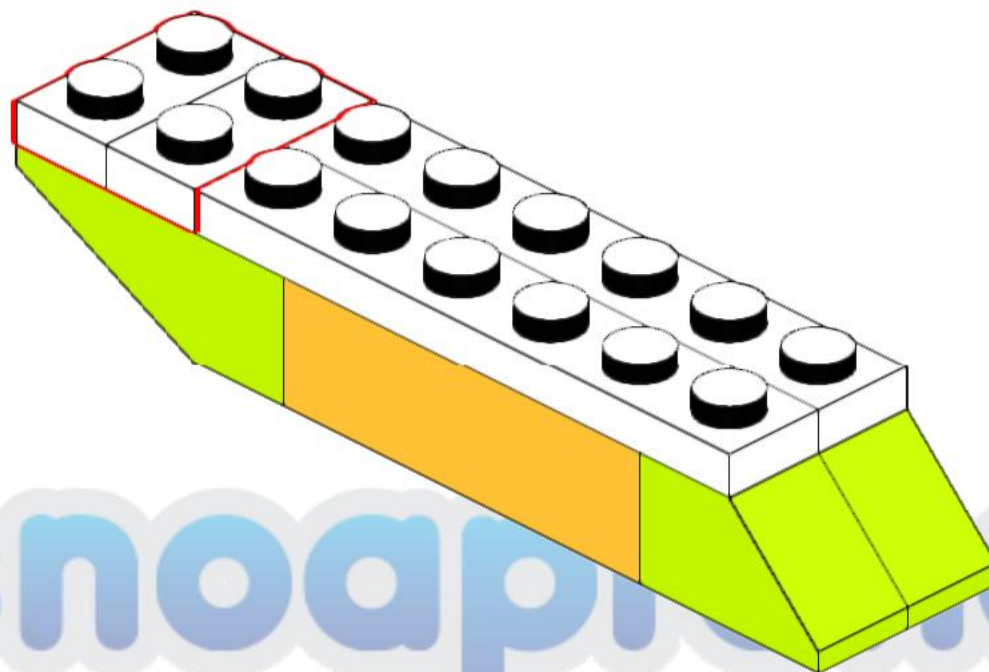
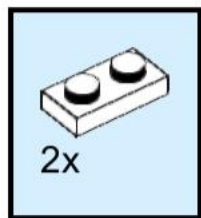
Tecnoaprendo

3



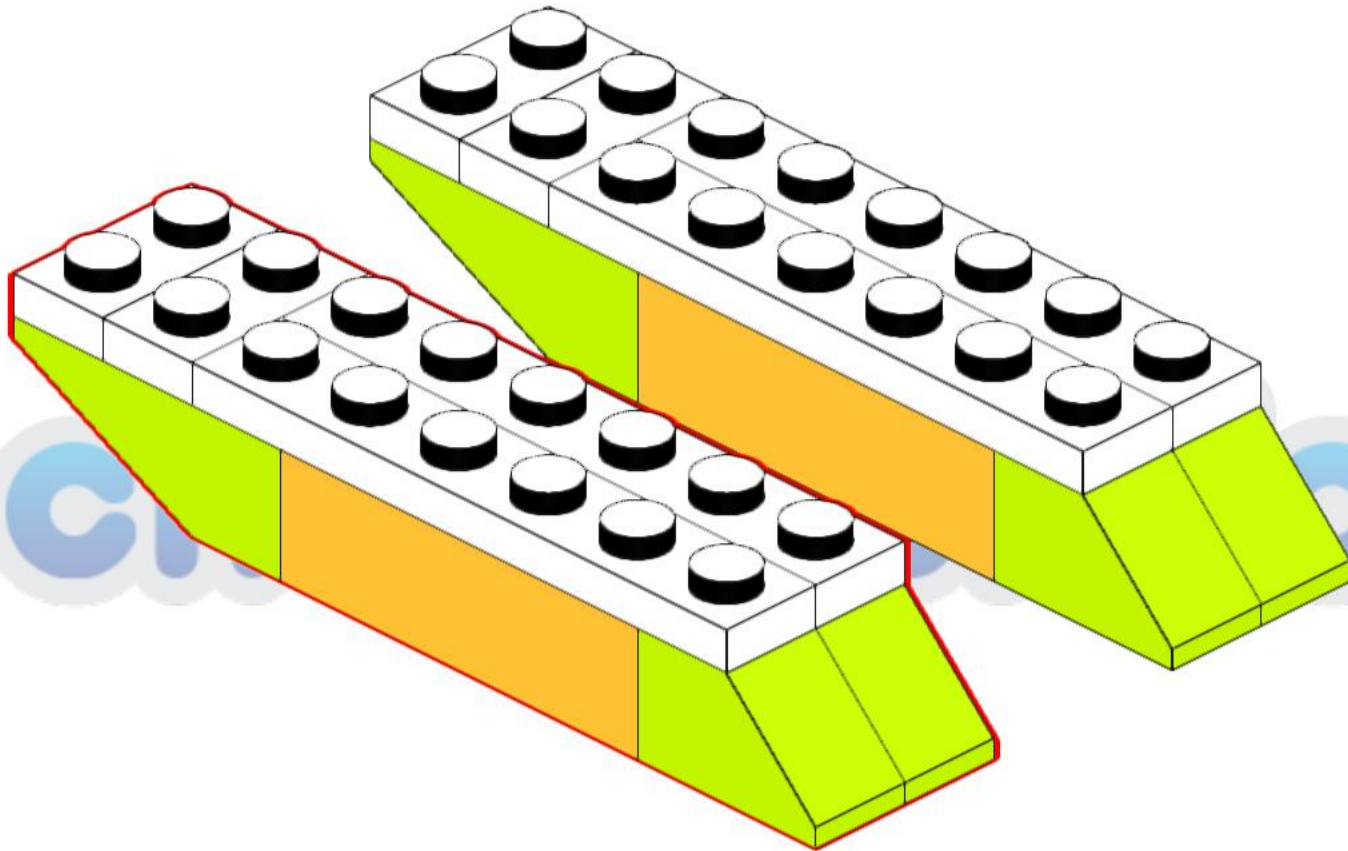
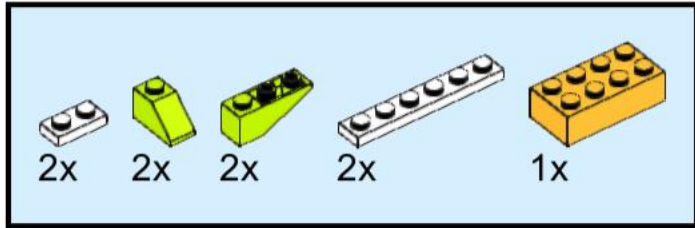
Tecnoaprendido

4



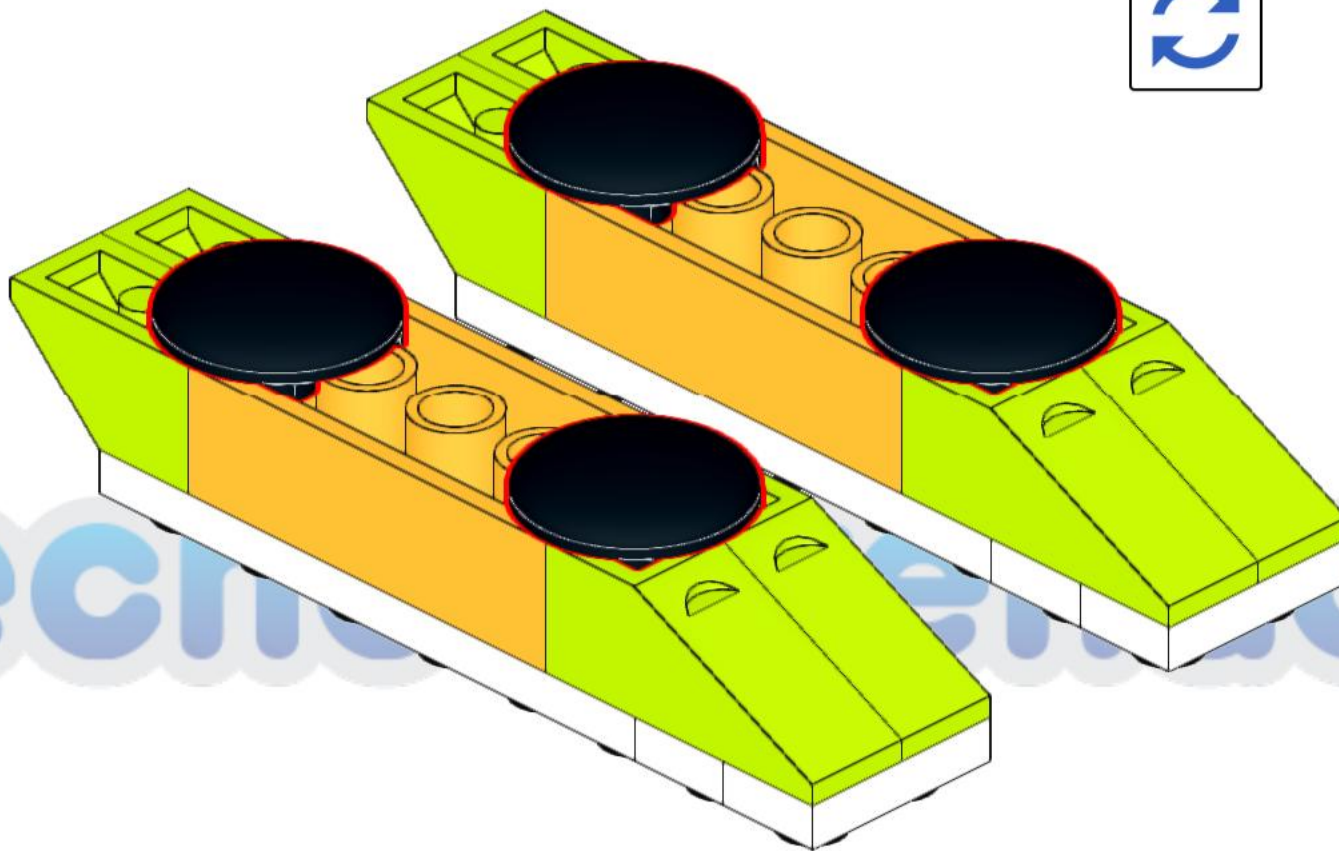
Tecnoaprendido

5



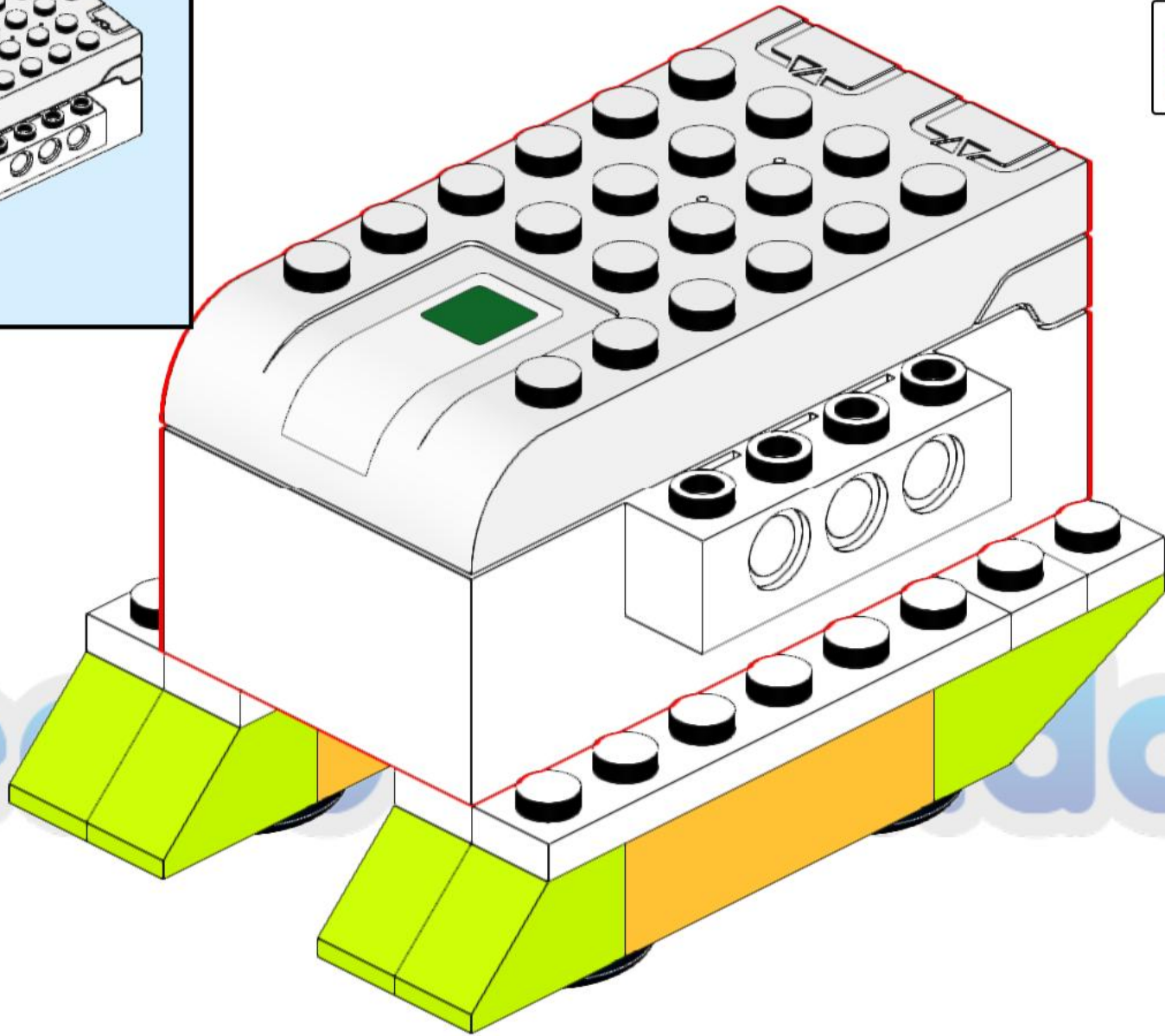
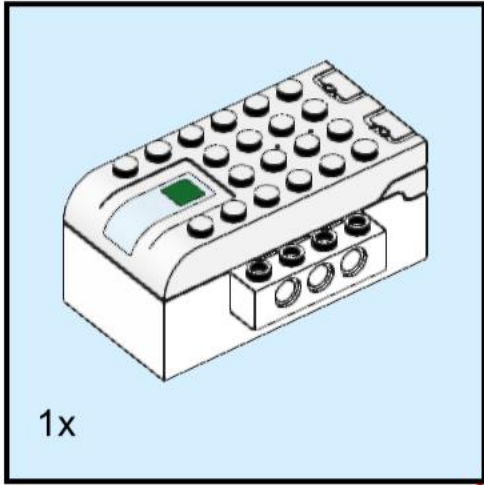
Tech

6



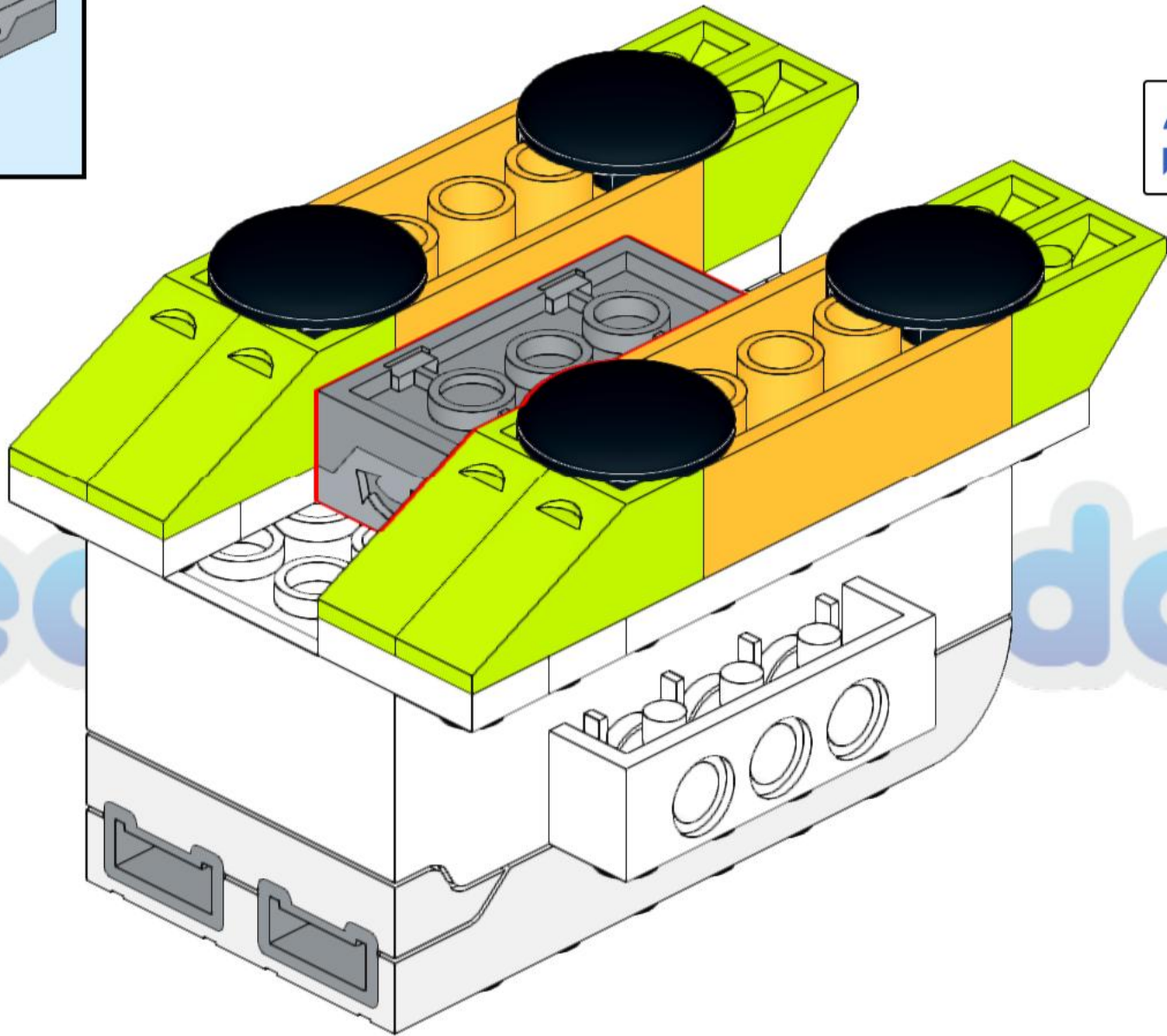
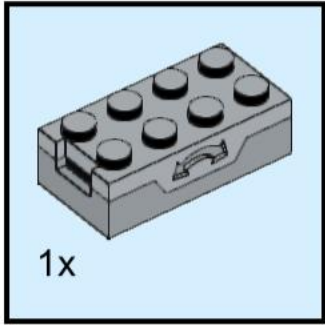
Technic

7



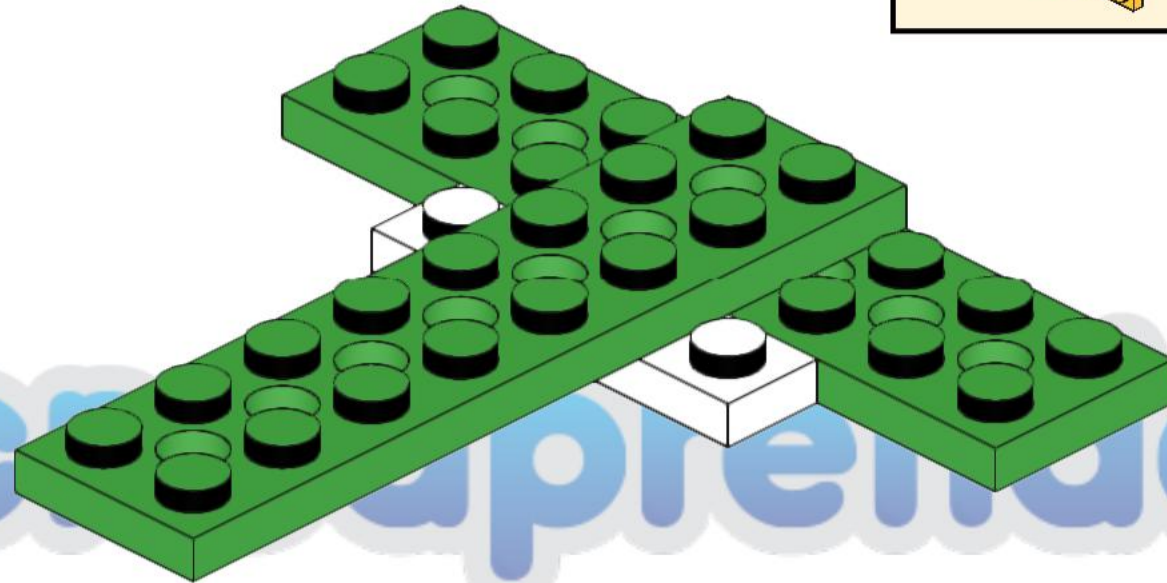
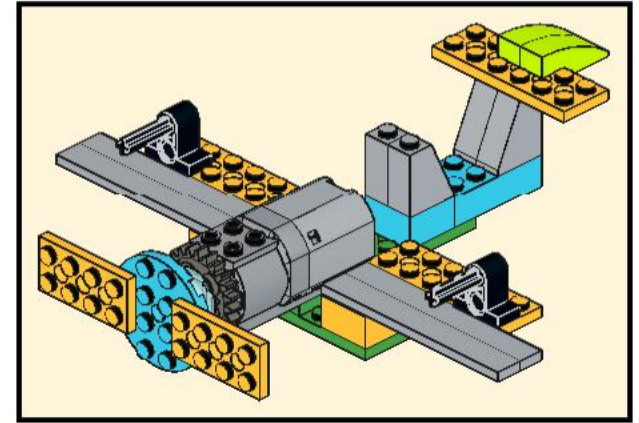
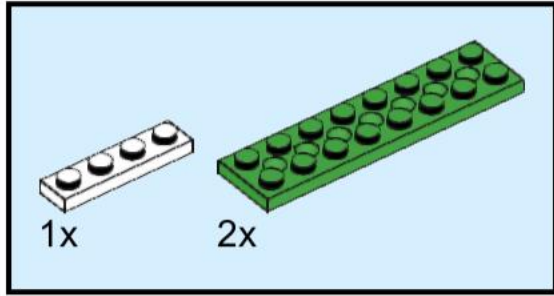
Technic

8



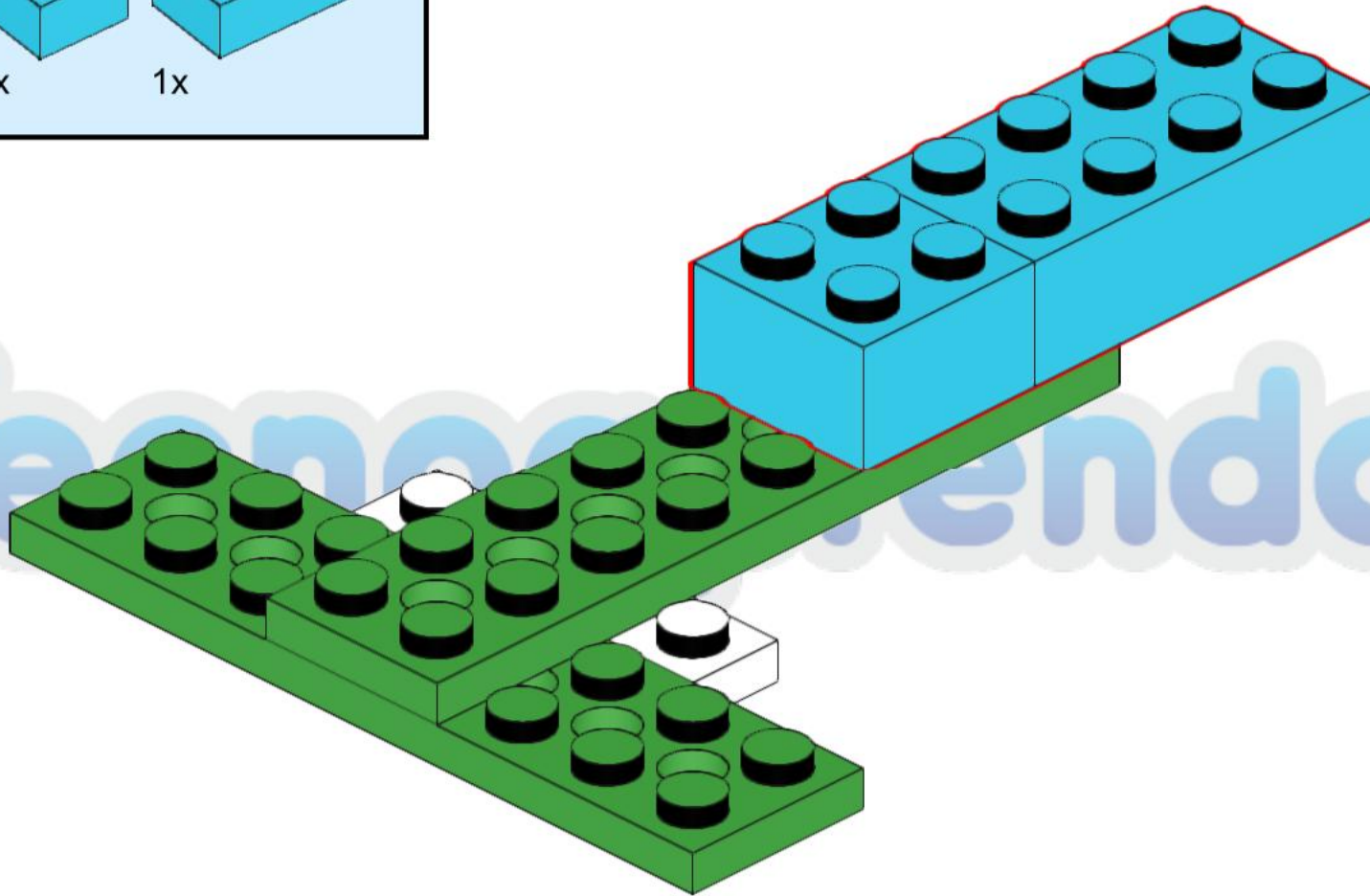
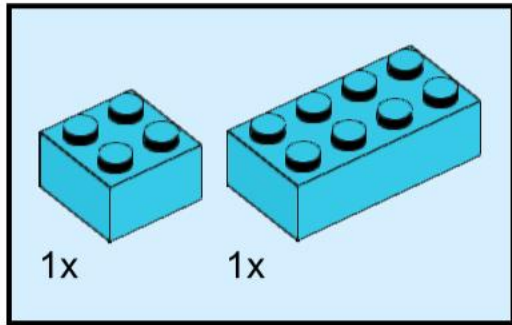
Tec do

9



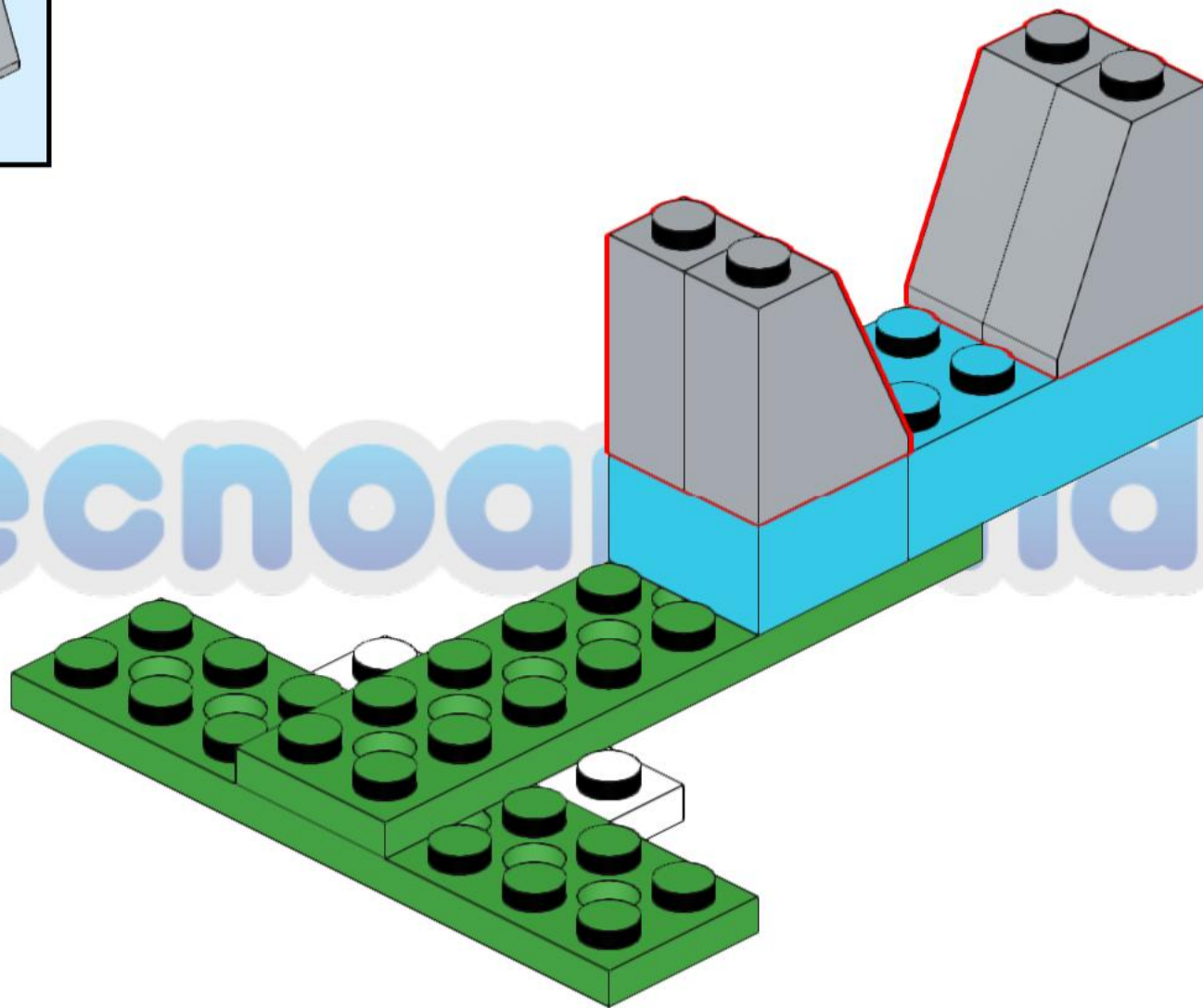
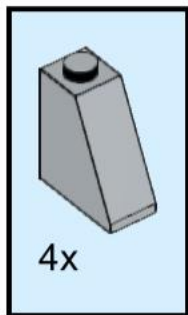
Tecnoaprendido

10



TechnicTrendo

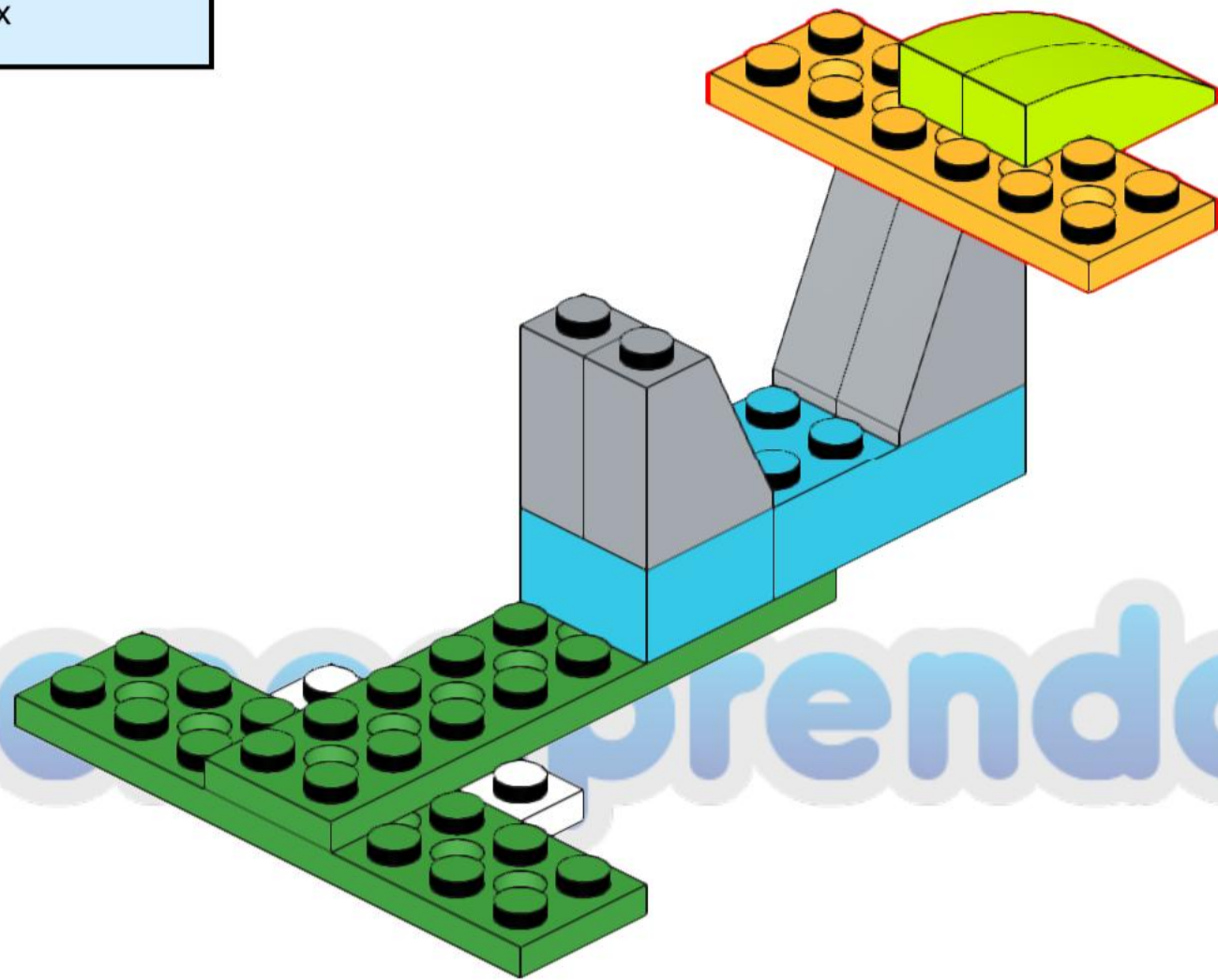
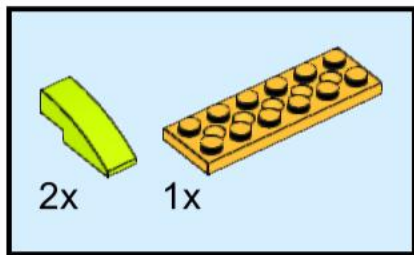
11



Tecnoa

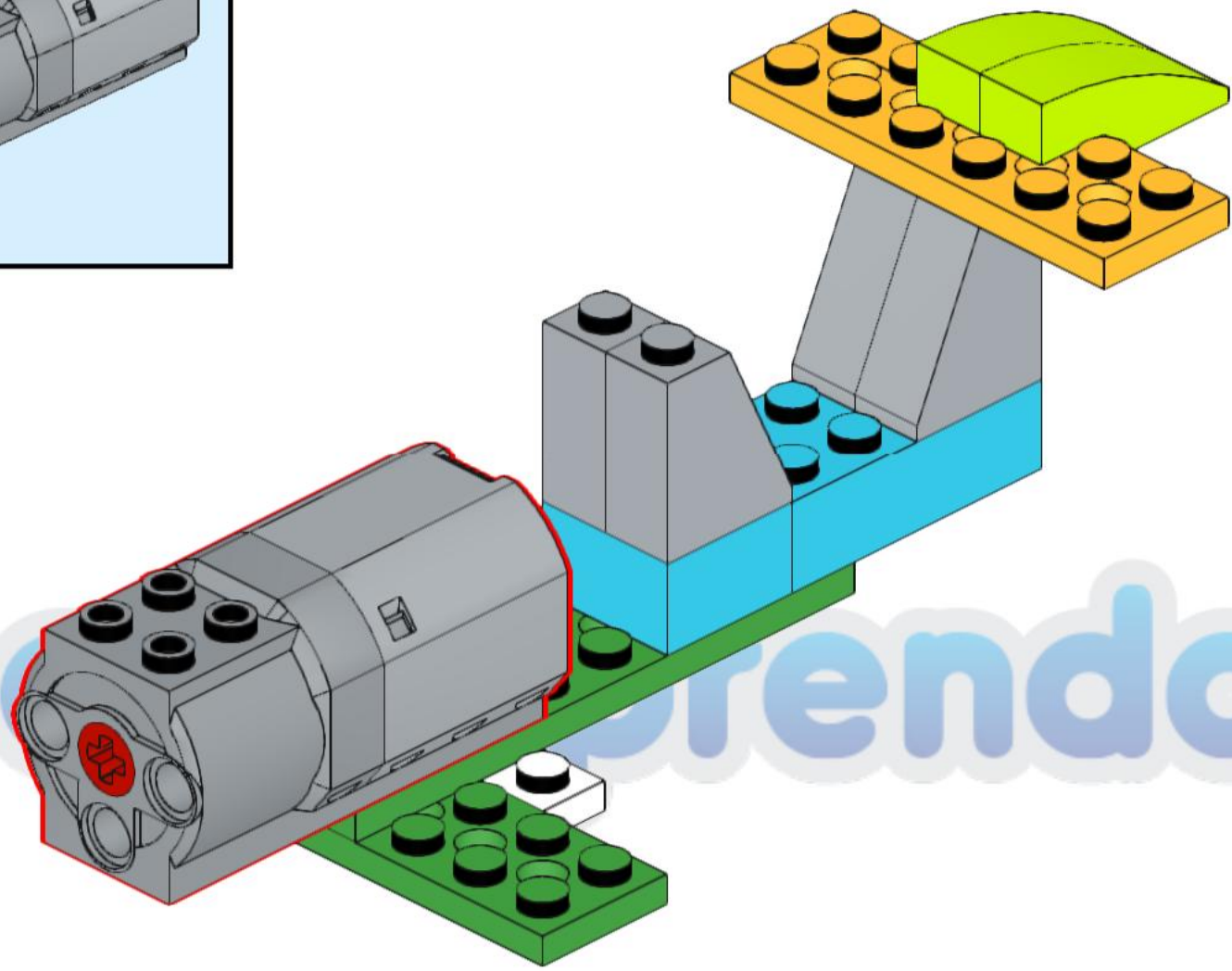
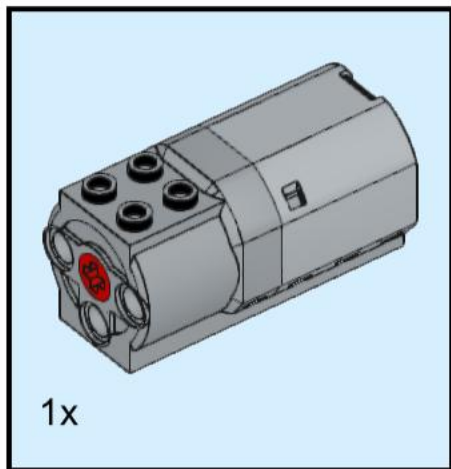
ido

12



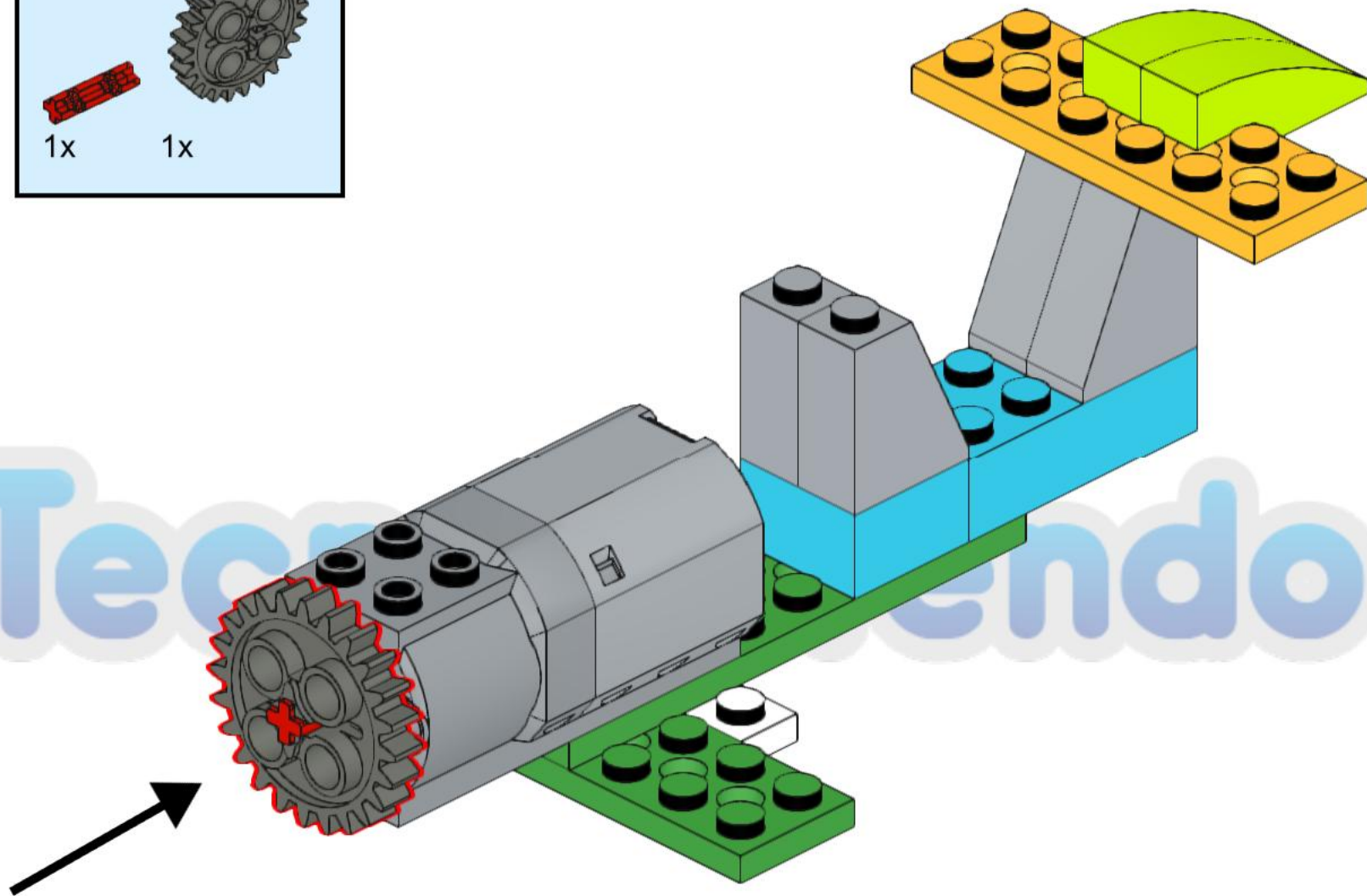
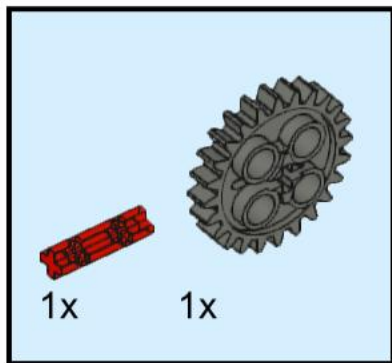
Tecno Aprendo

13



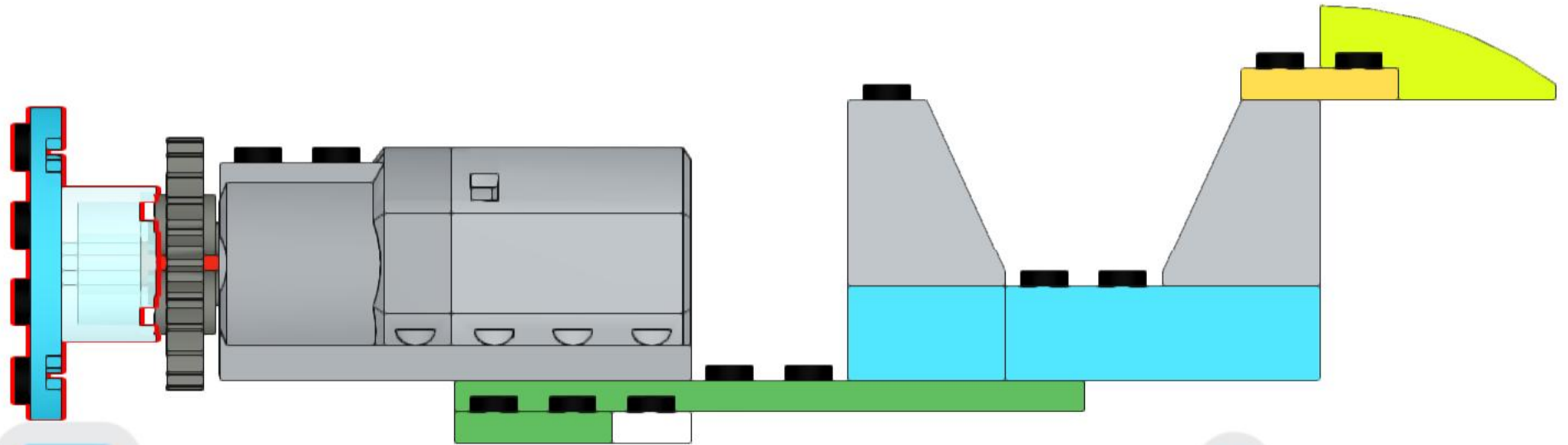
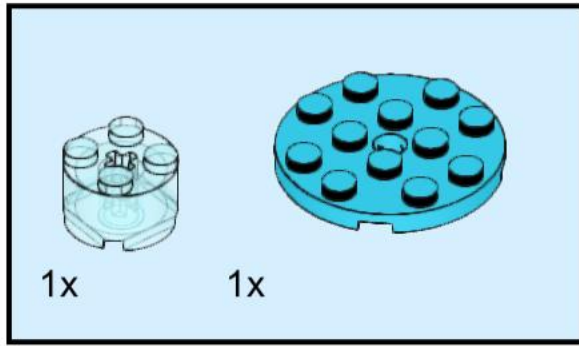
Te...rendo

14



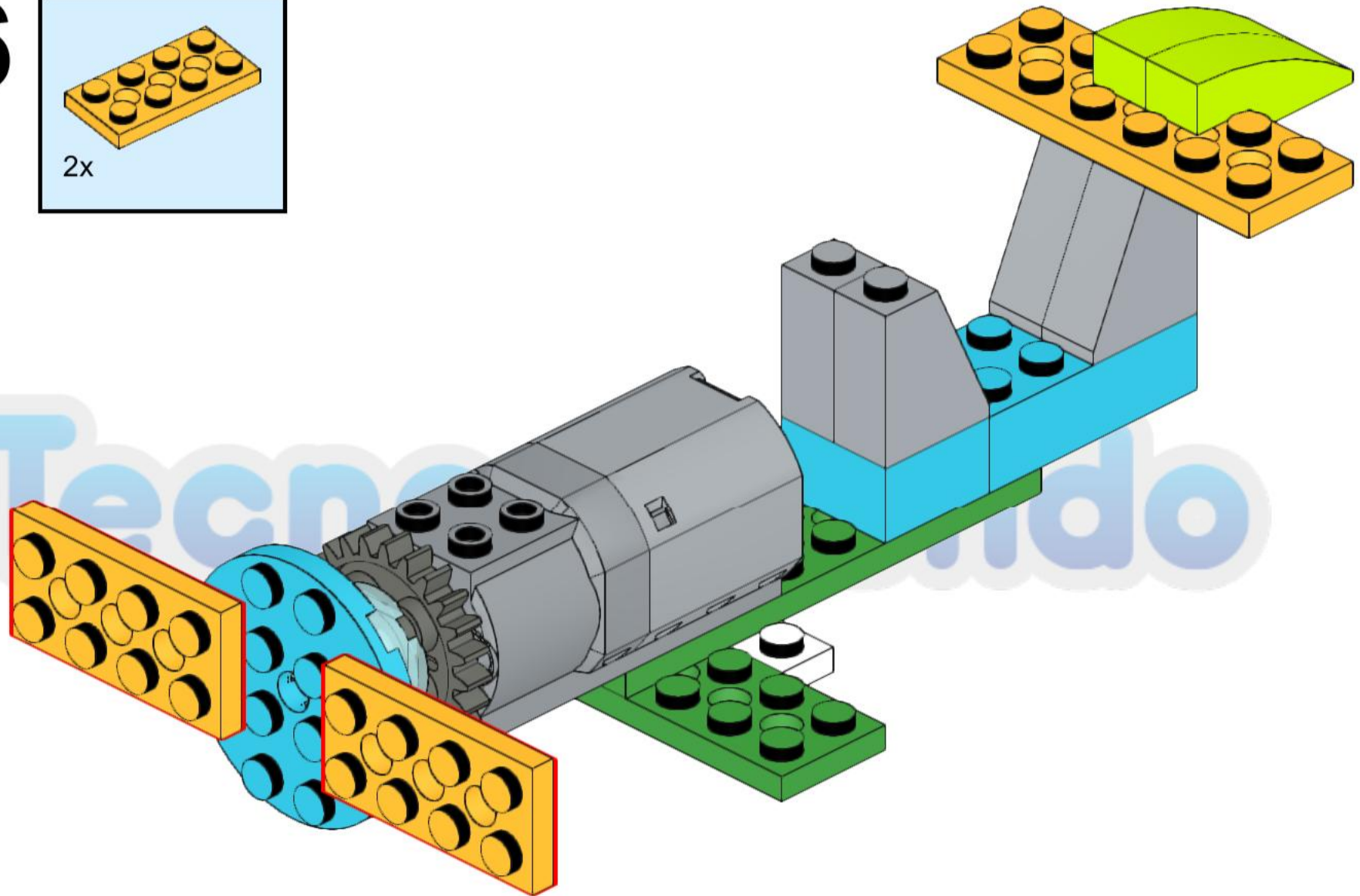
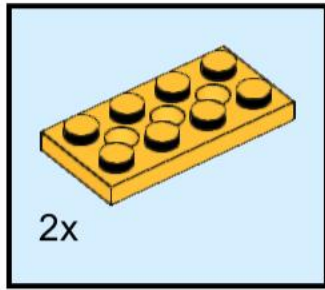
Tecnoendo

15

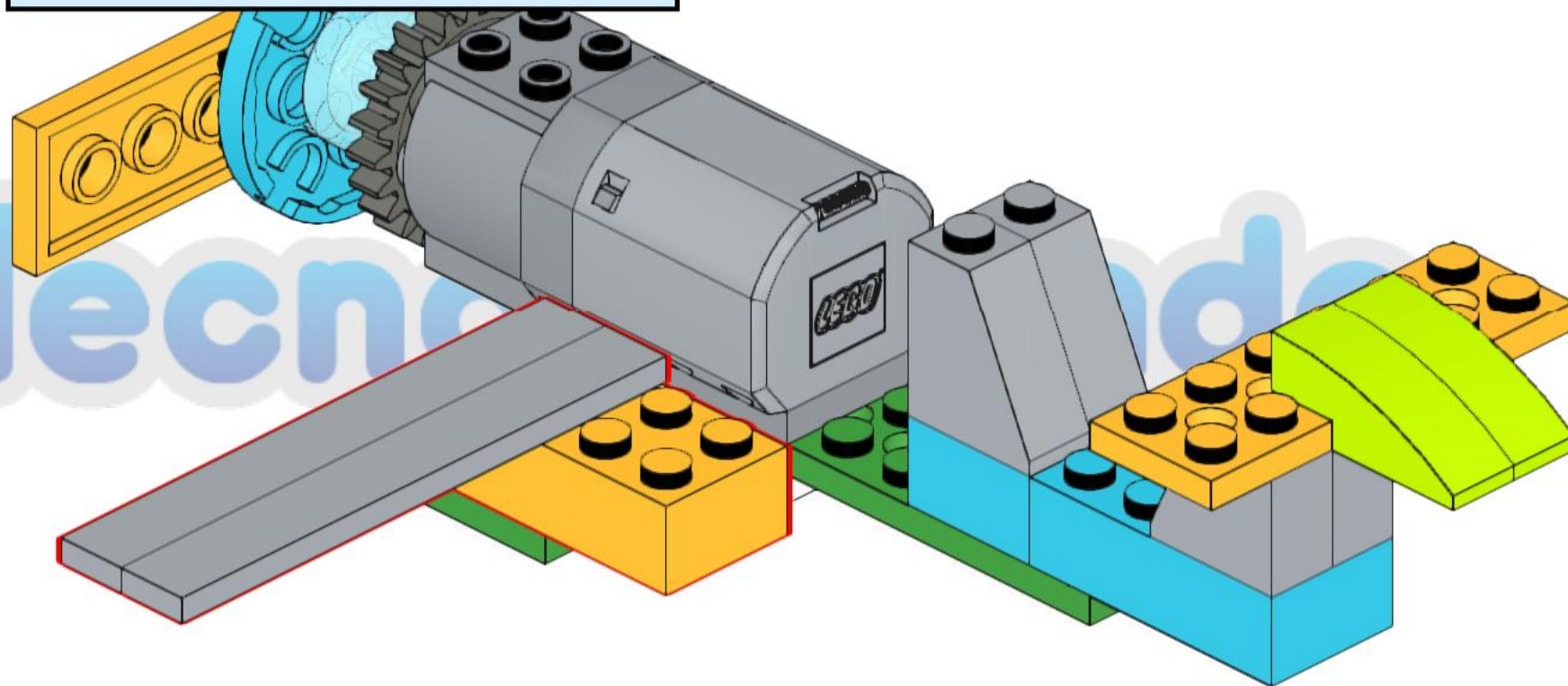
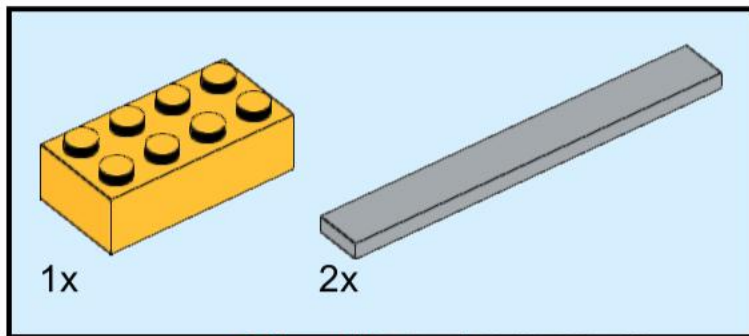


Tecnoaprendo

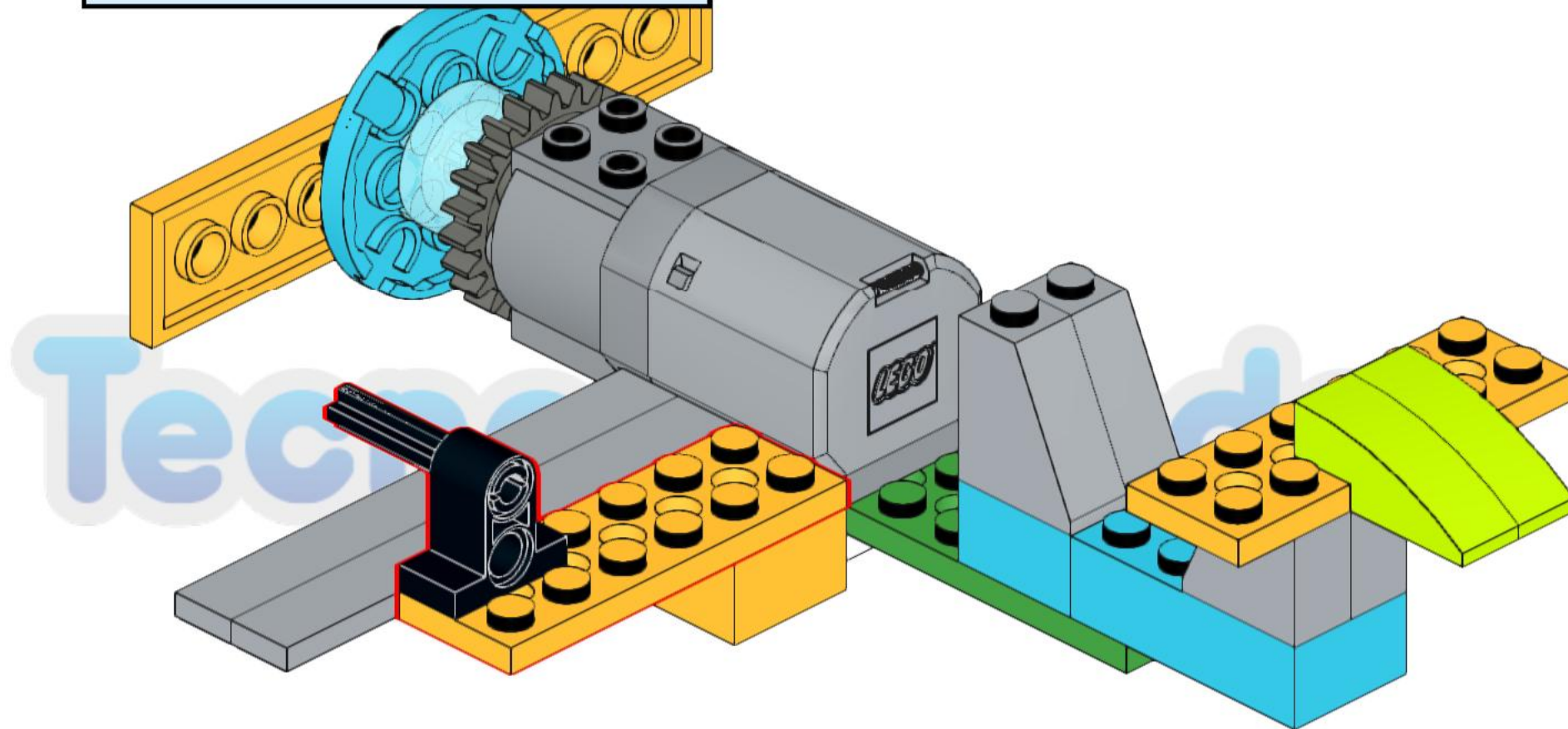
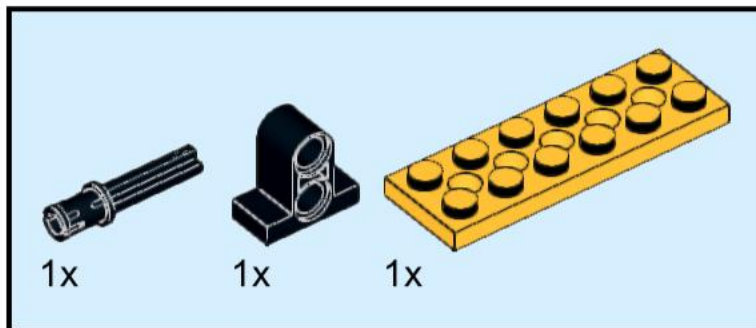
16



17

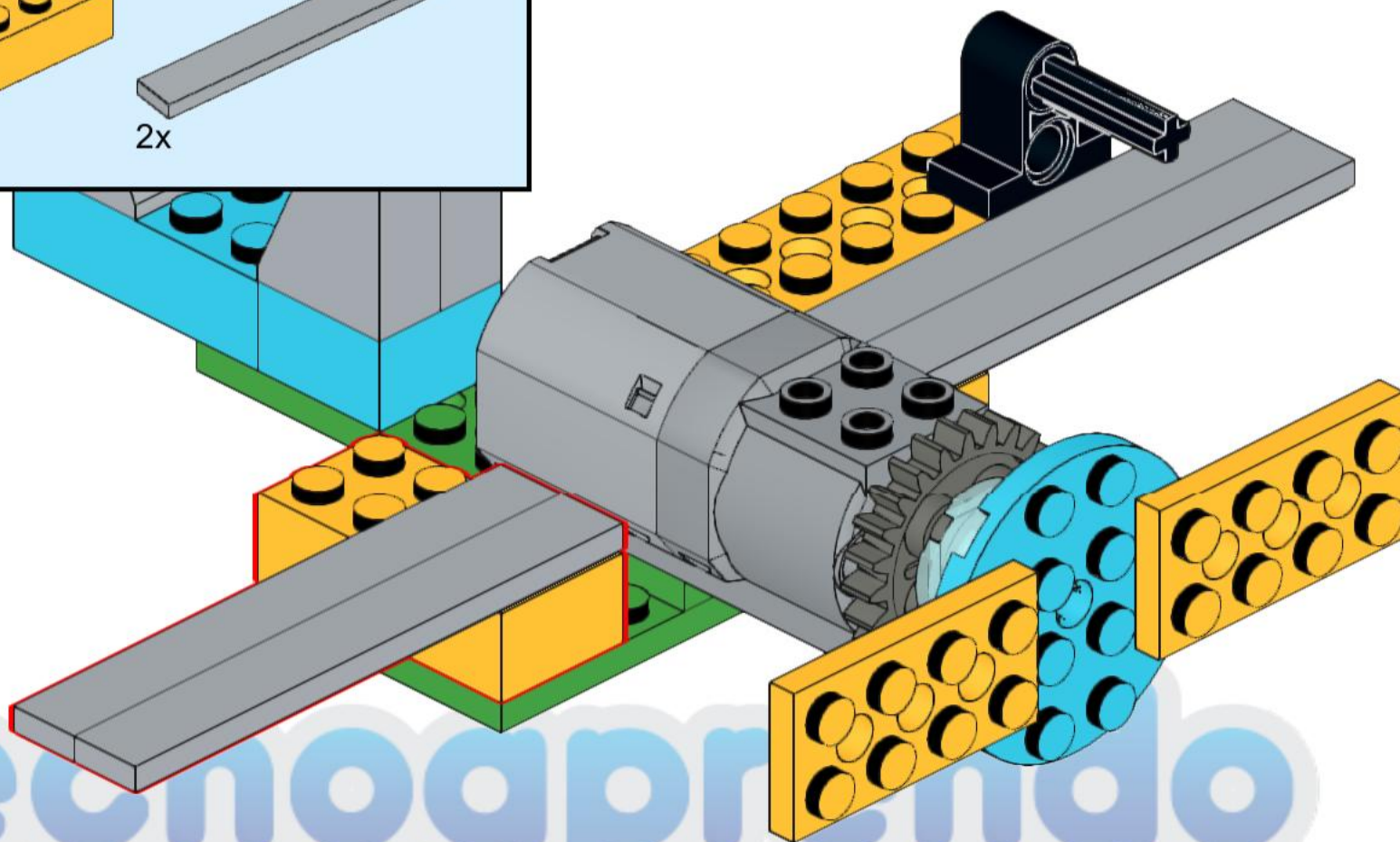
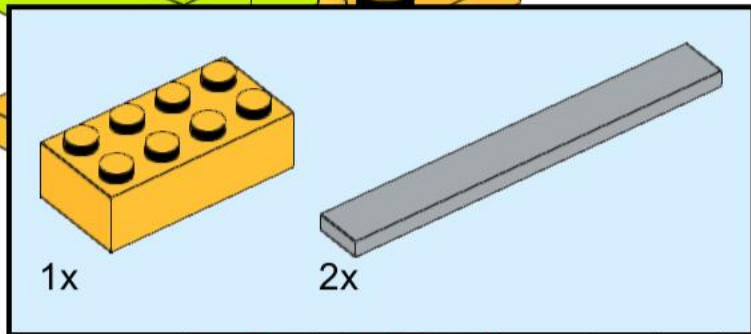


18



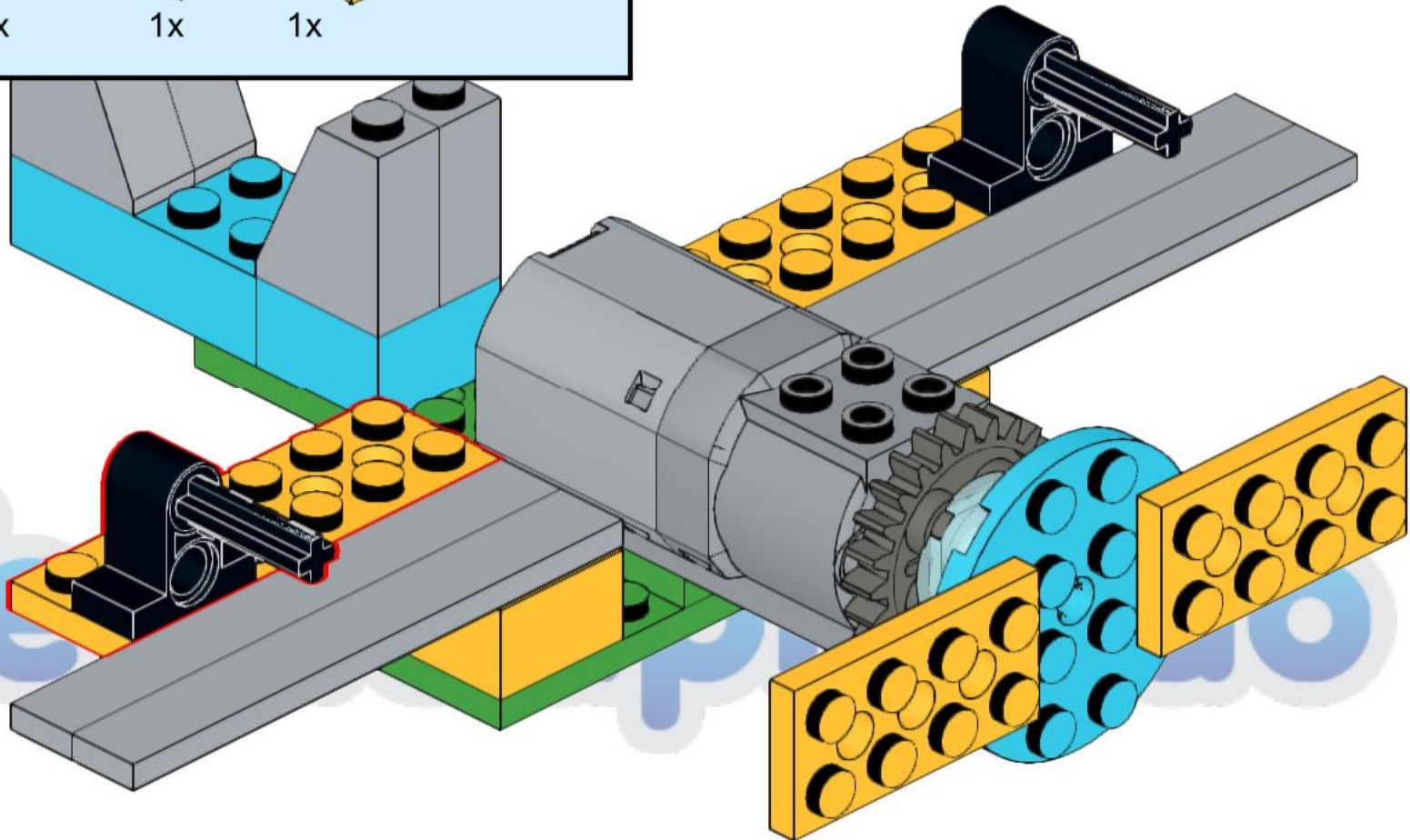
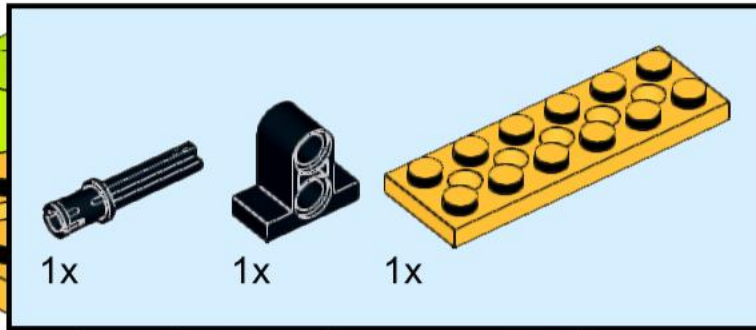
Tec

19



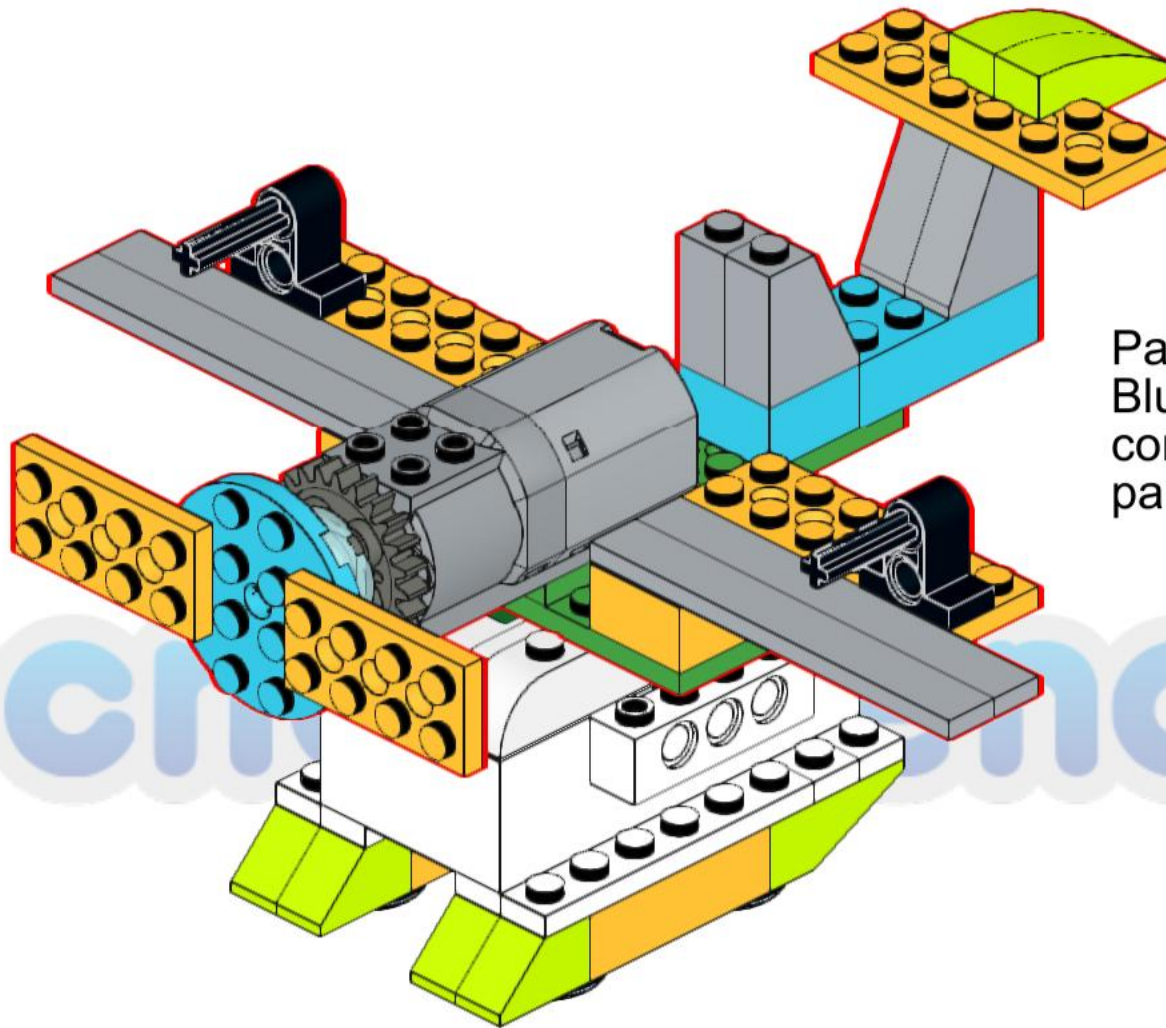
Tecnoaprendo

20



Te
P
o

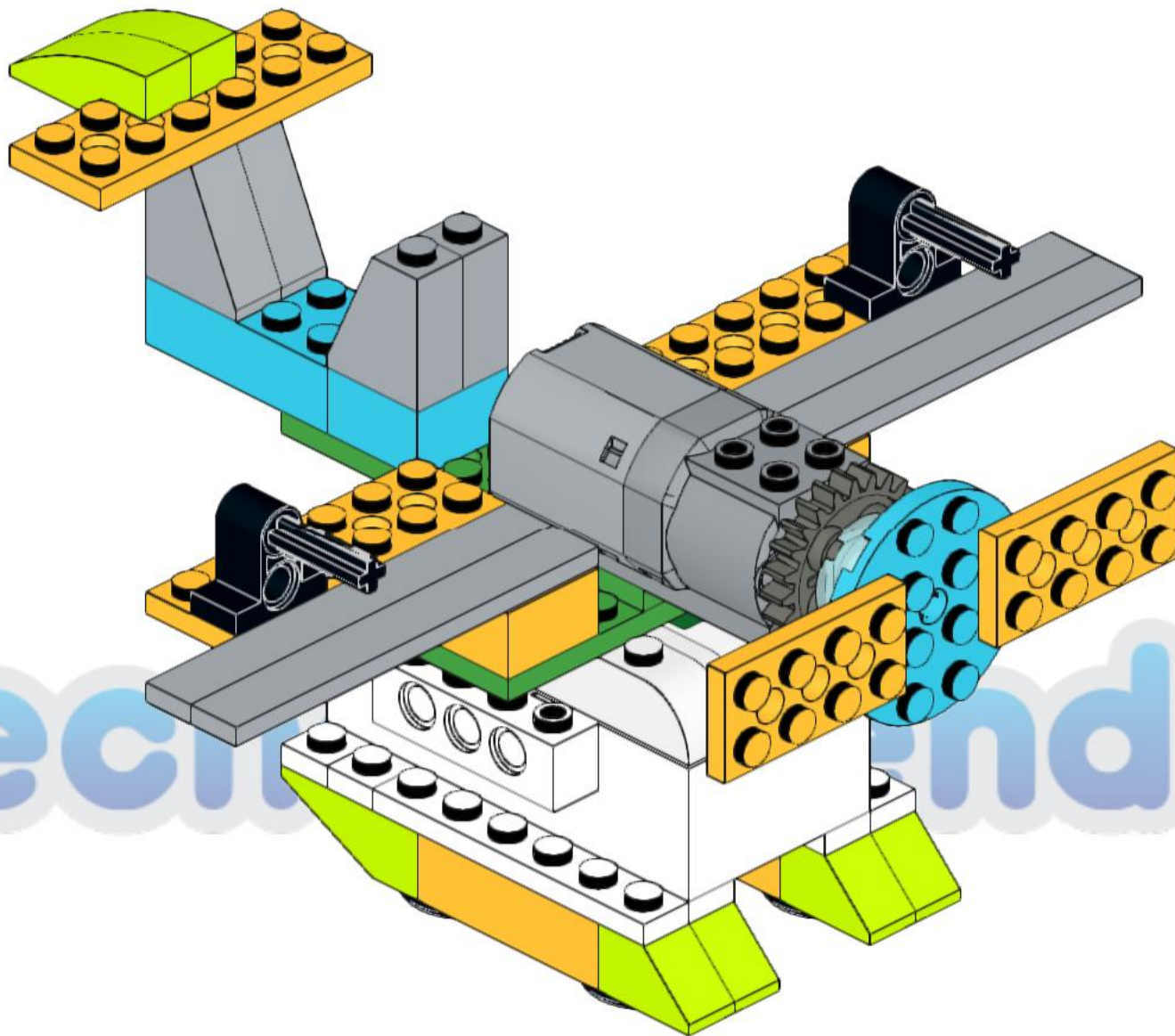
21



Pair the Hub to the Bluetooth before connecting the two parts.

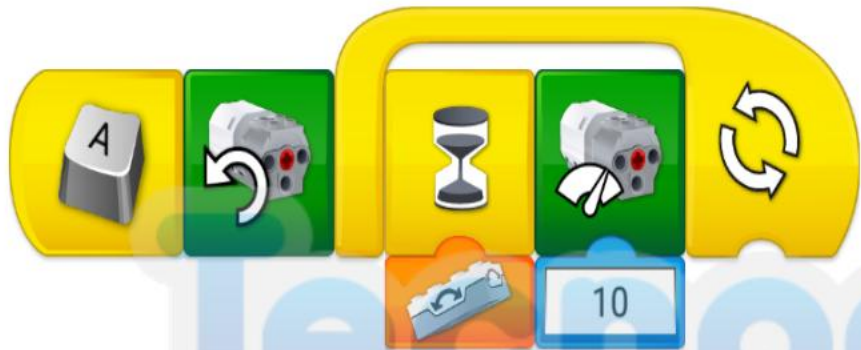
Technic Mando

22





Depending on the tilt of the sensor, the aircraft will rotate the propeller at one speed or another.



tecnologiaaprendo



If the sensor is not tilted, the motor will stop.



4x
2654, 11

2x
32530, 11

2x
18651, 11

1x
3648, 85

4x
60481, 86

1x
20841, 86

1x
21980, 86

4x
4162, 86

4x
3023, 1

1x
3710, 1

4x
3666, 1

1x
19071c01, 1

1x
32062, 5

2x
3709b, 110

4x
3001, 110

3x
32001, 110

4x
3040, 34

2x
50950, 34

4x
4287, 34

2x
3738, 36

1x
3003, 156

1x
3001, 156

1x
60474, 156

1x
3941, 15

