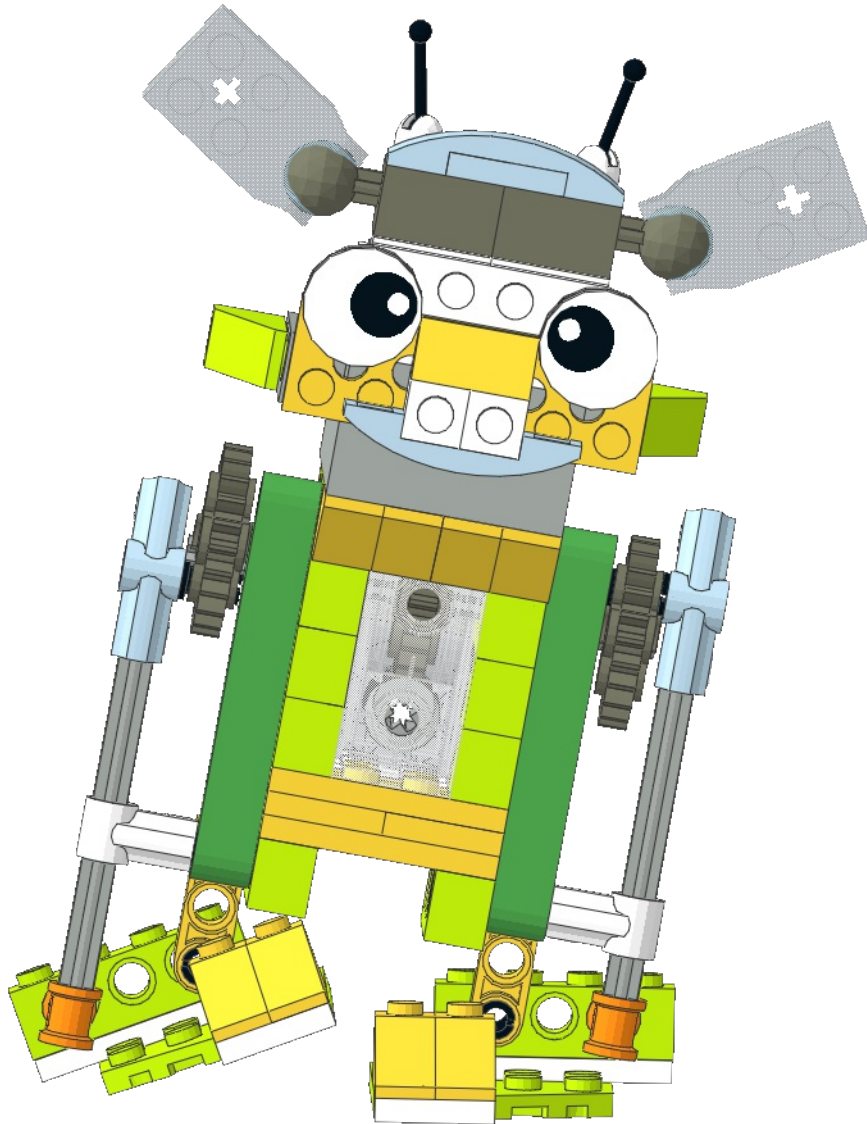
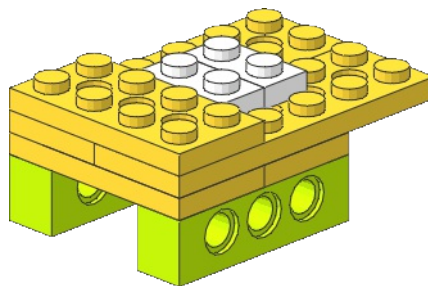
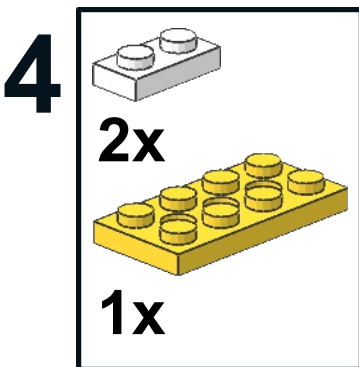
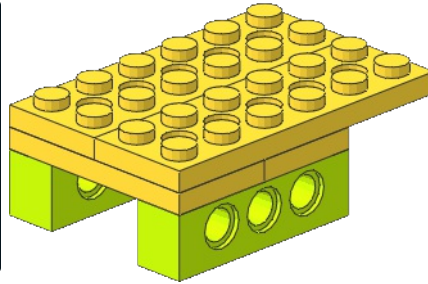
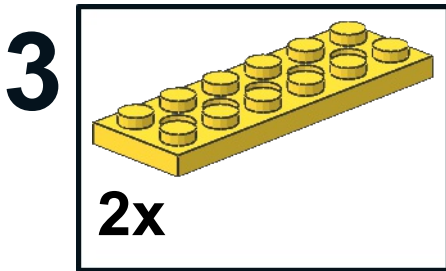
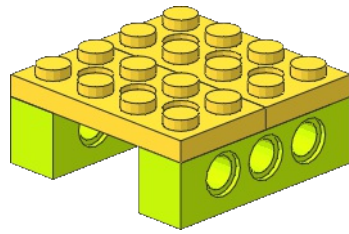
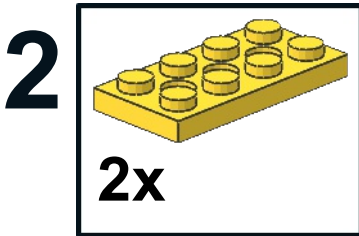
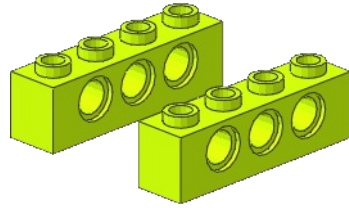
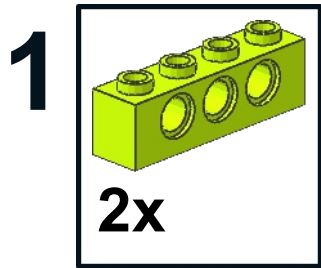
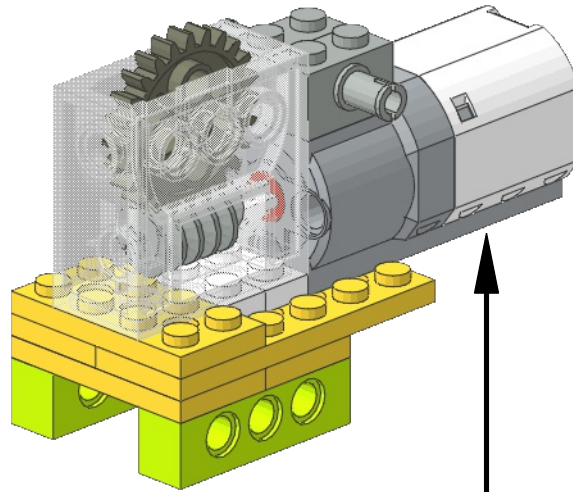


WeWalk 2.1



By Kevin Clague





1

1x 1x

1x

1x

2

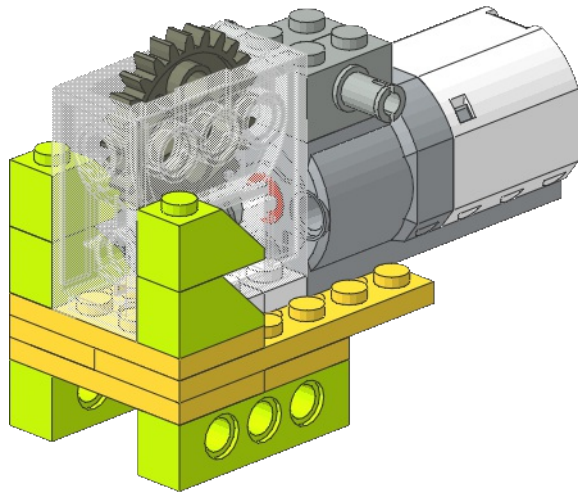
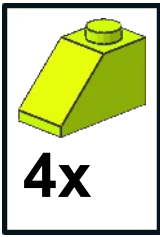
1x 2x 1x

1x

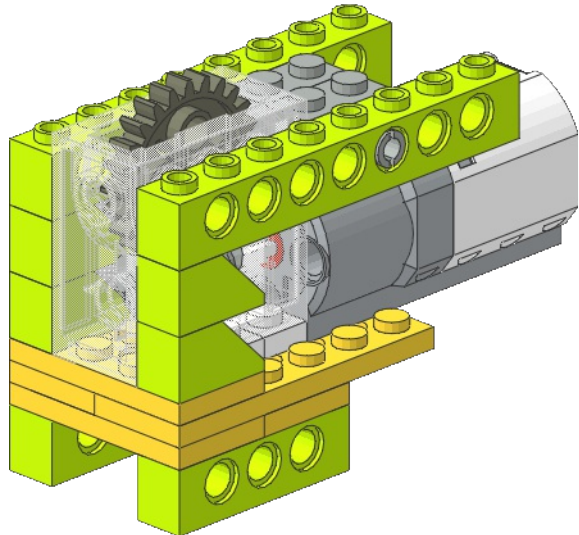
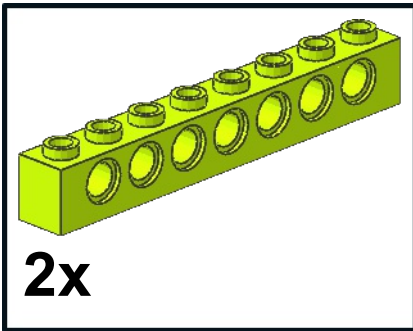
3

Final assembly diagram showing the motor and gear assembly sub-assembly being connected to the gear assembly sub-assembly from step 1.

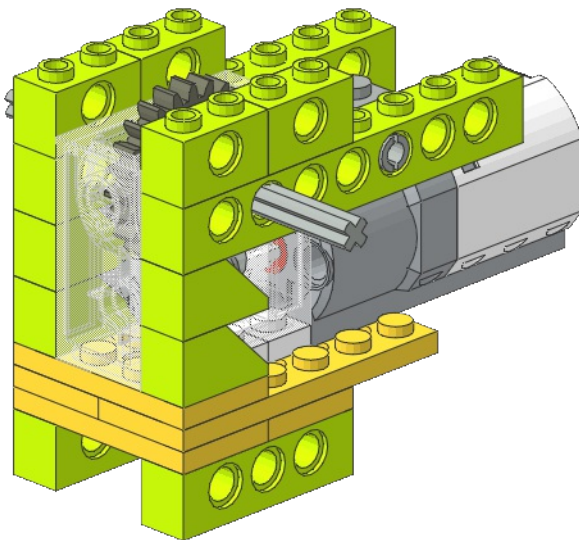
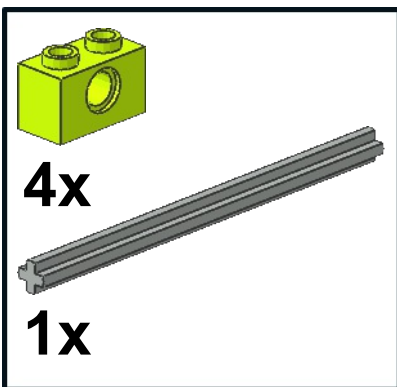
6



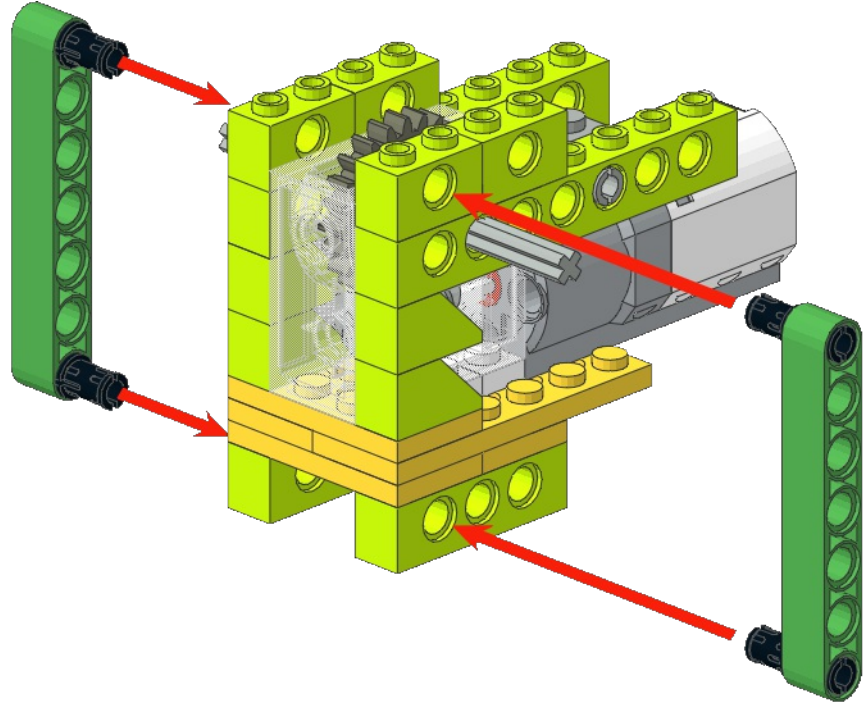
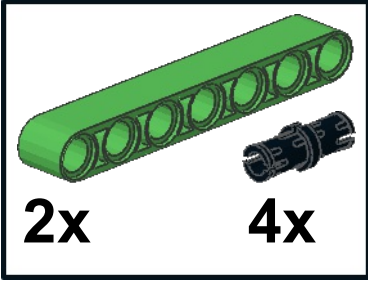
7



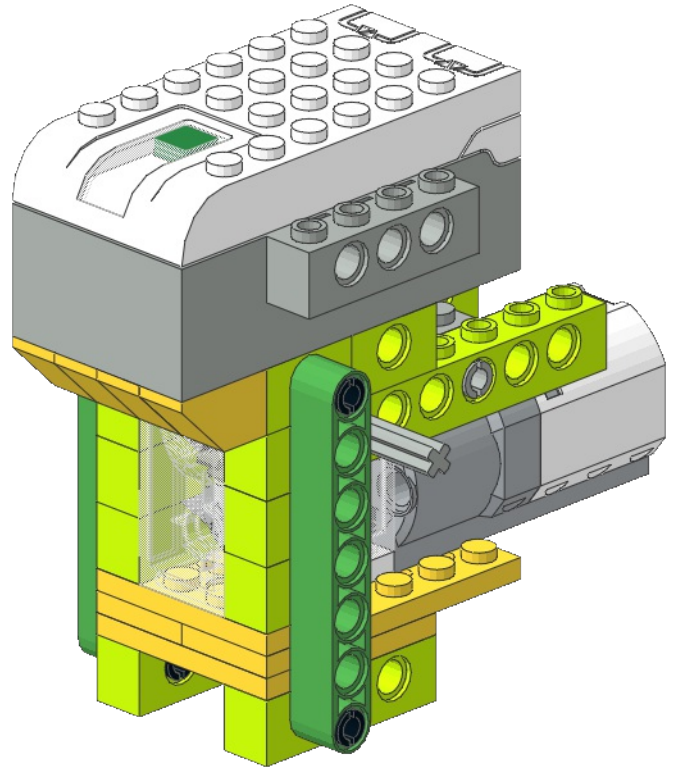
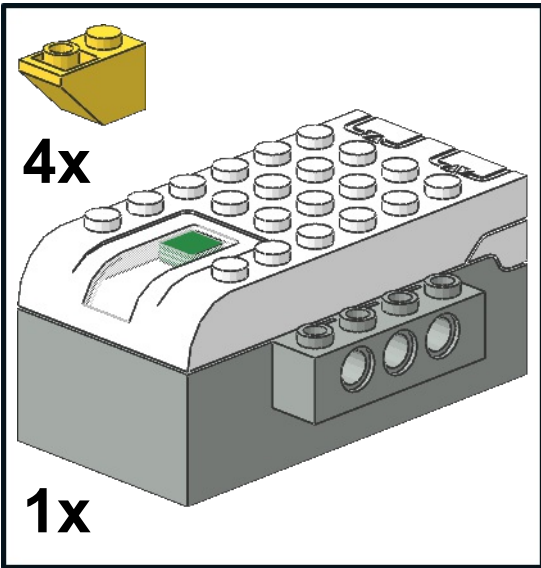
8

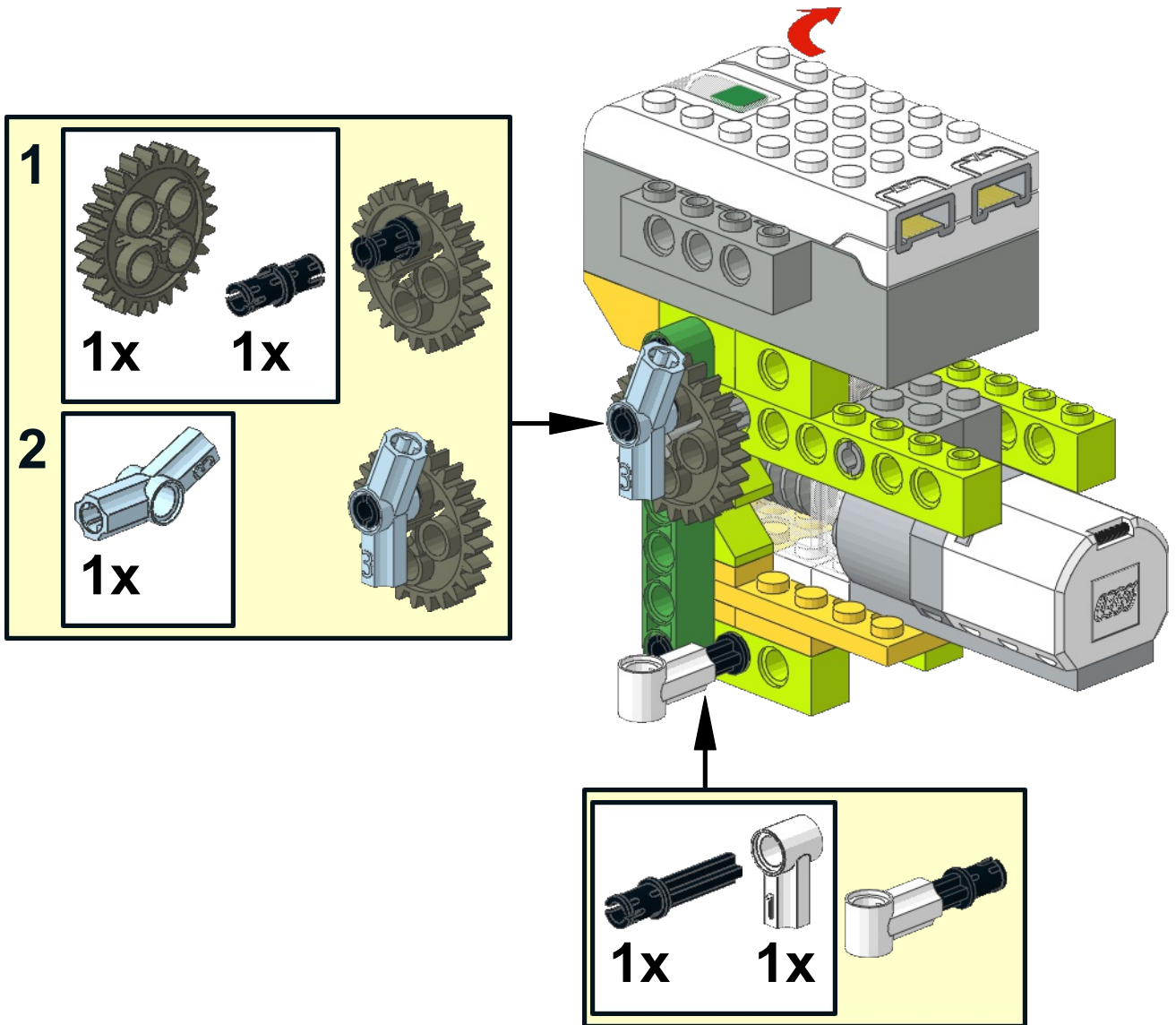


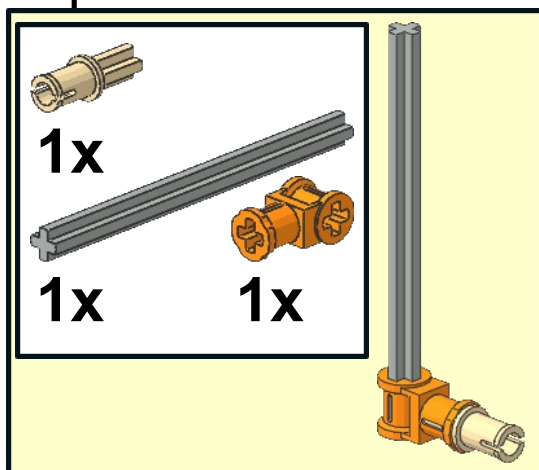
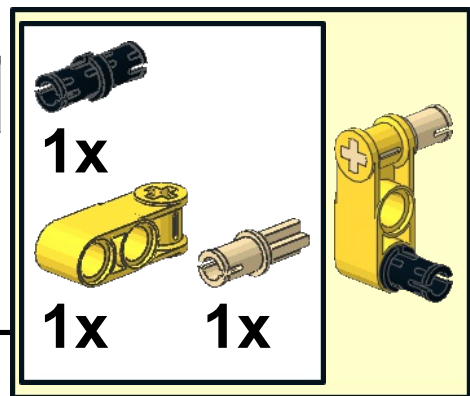
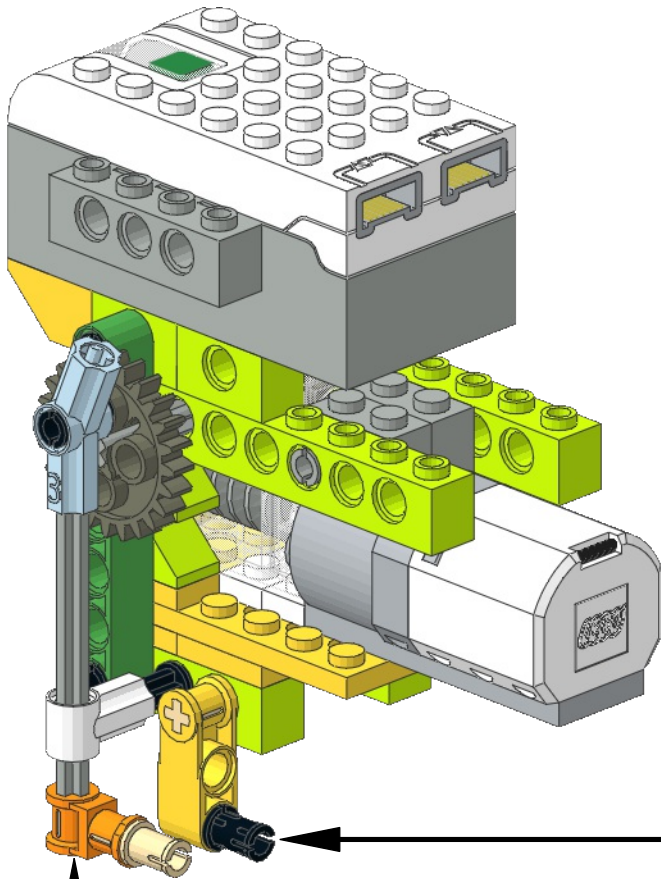
9



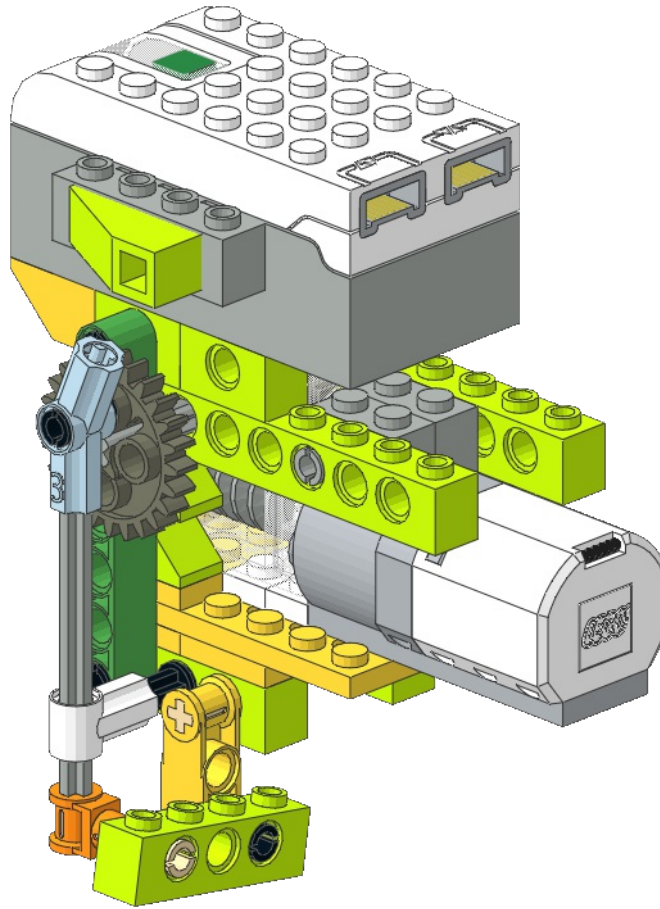
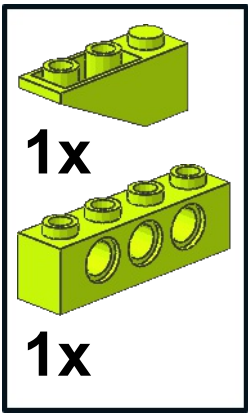
10

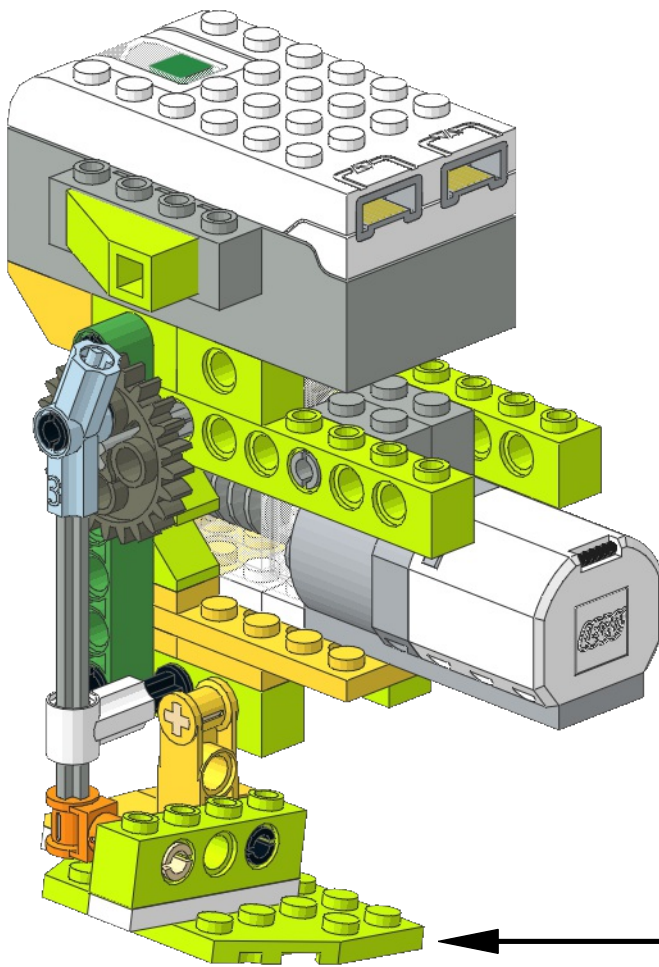






13





1

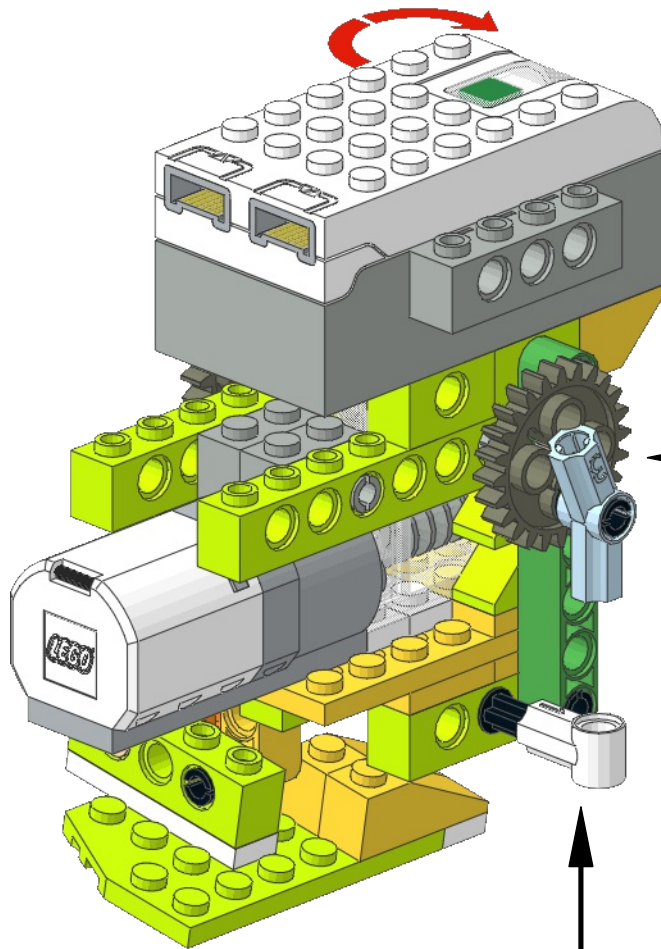
1x

1x

2


1x

2x

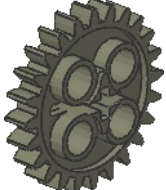


1

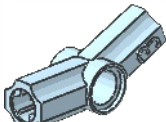
1x




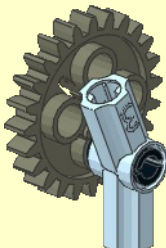
1x




2



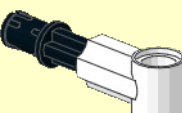
1x

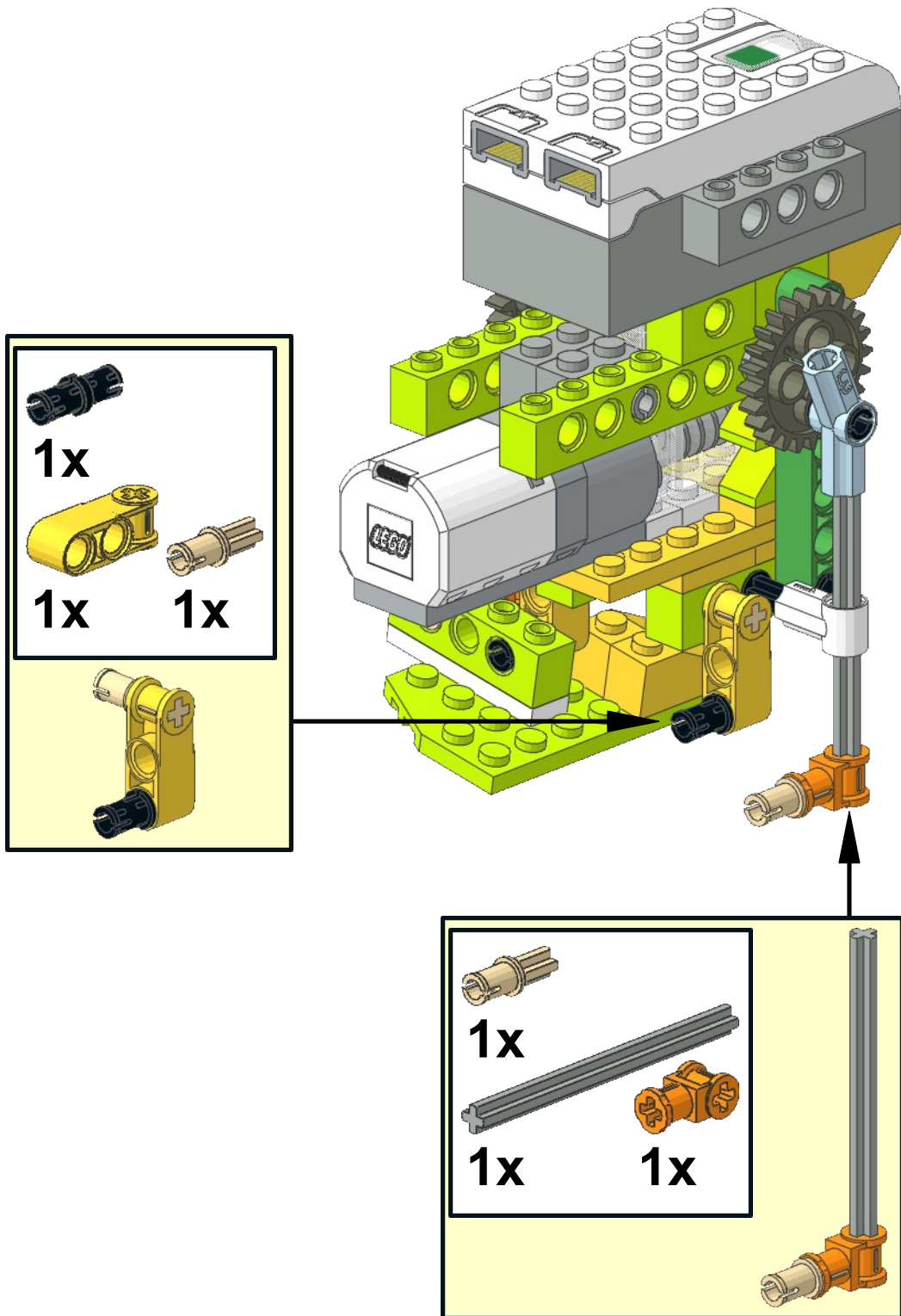


1x

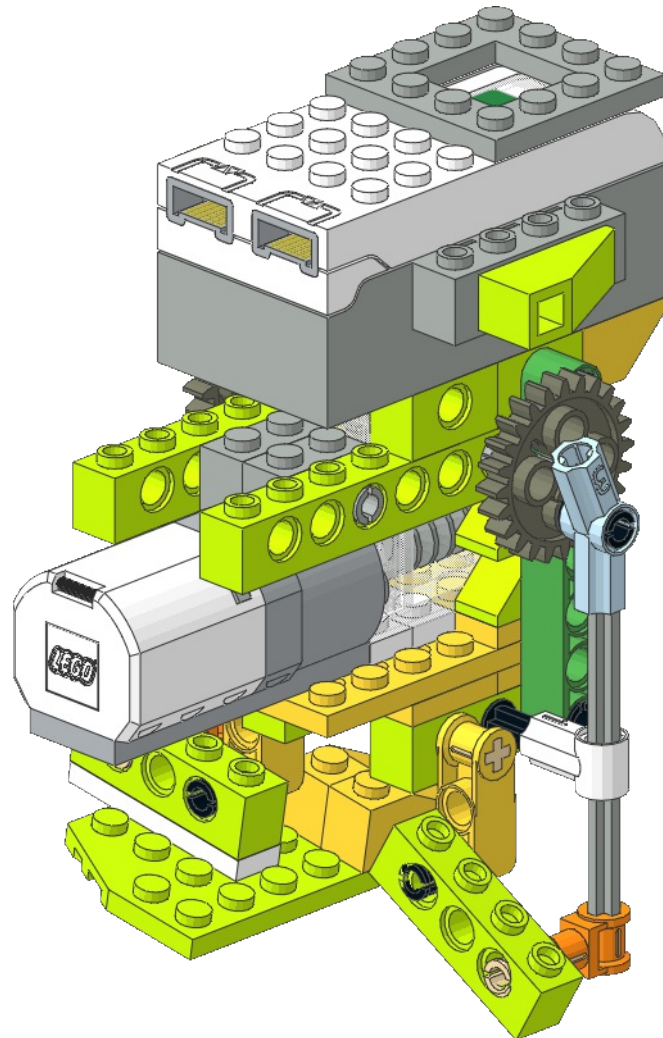
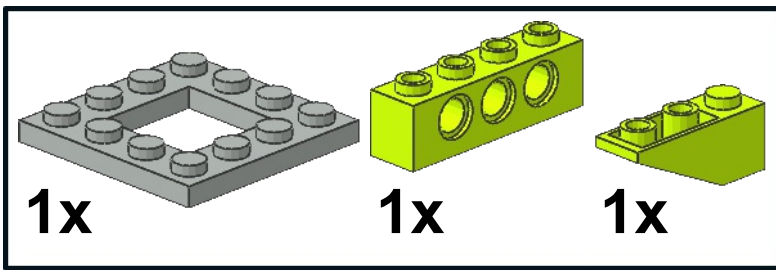


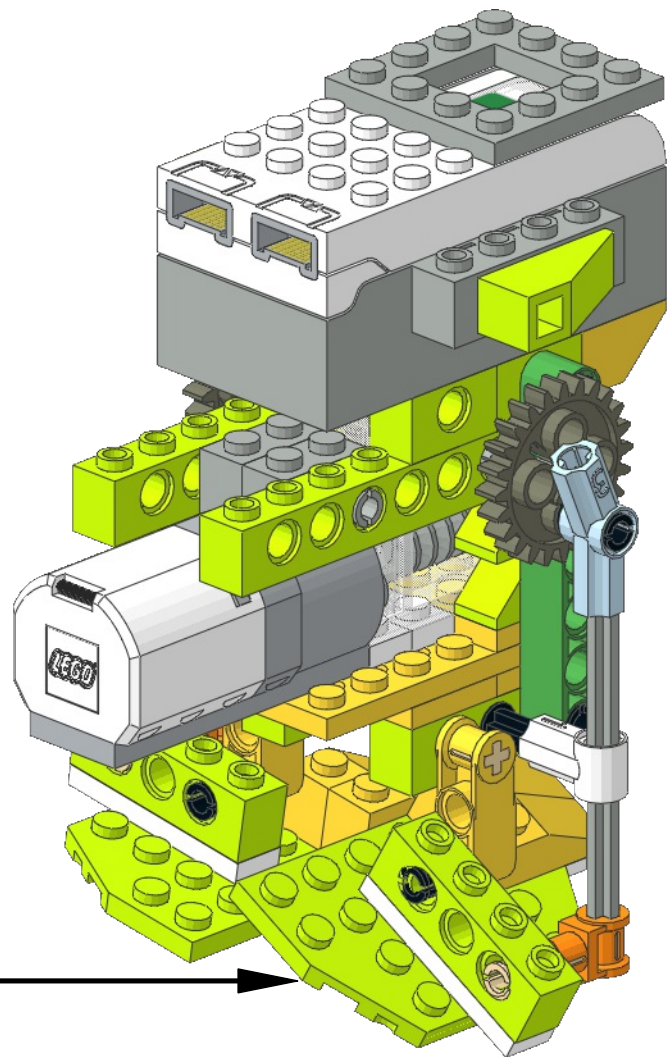
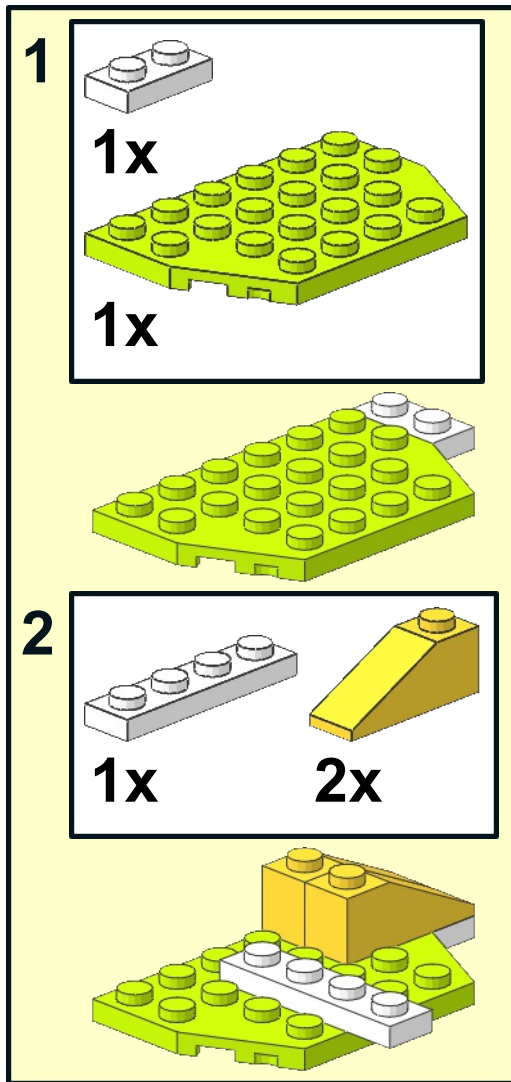
1x



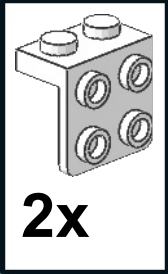


17

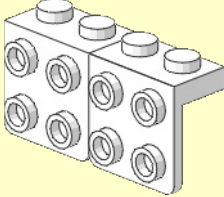




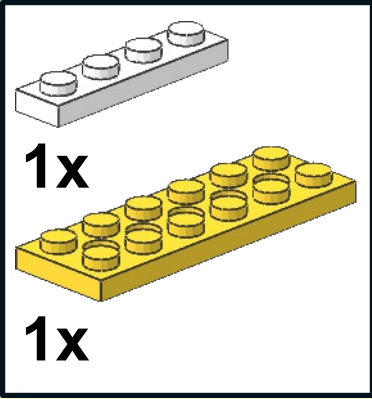
1



2x



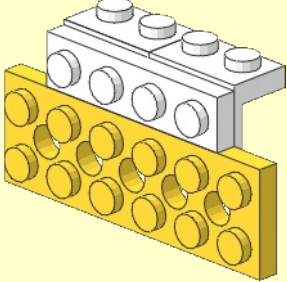
2



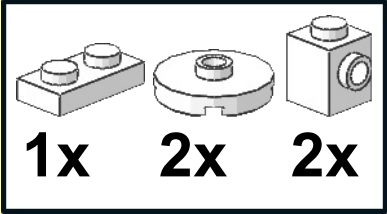
1x

1x

1x



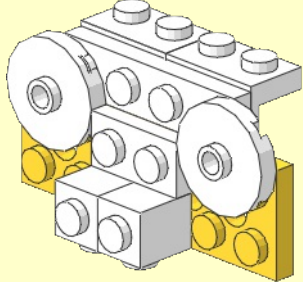
3



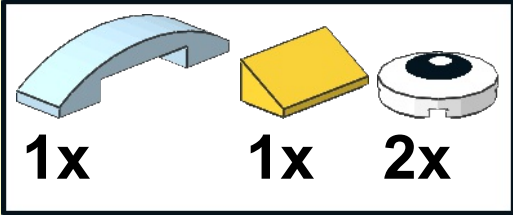
1x

2x

2x



4



1x

1x

2x

