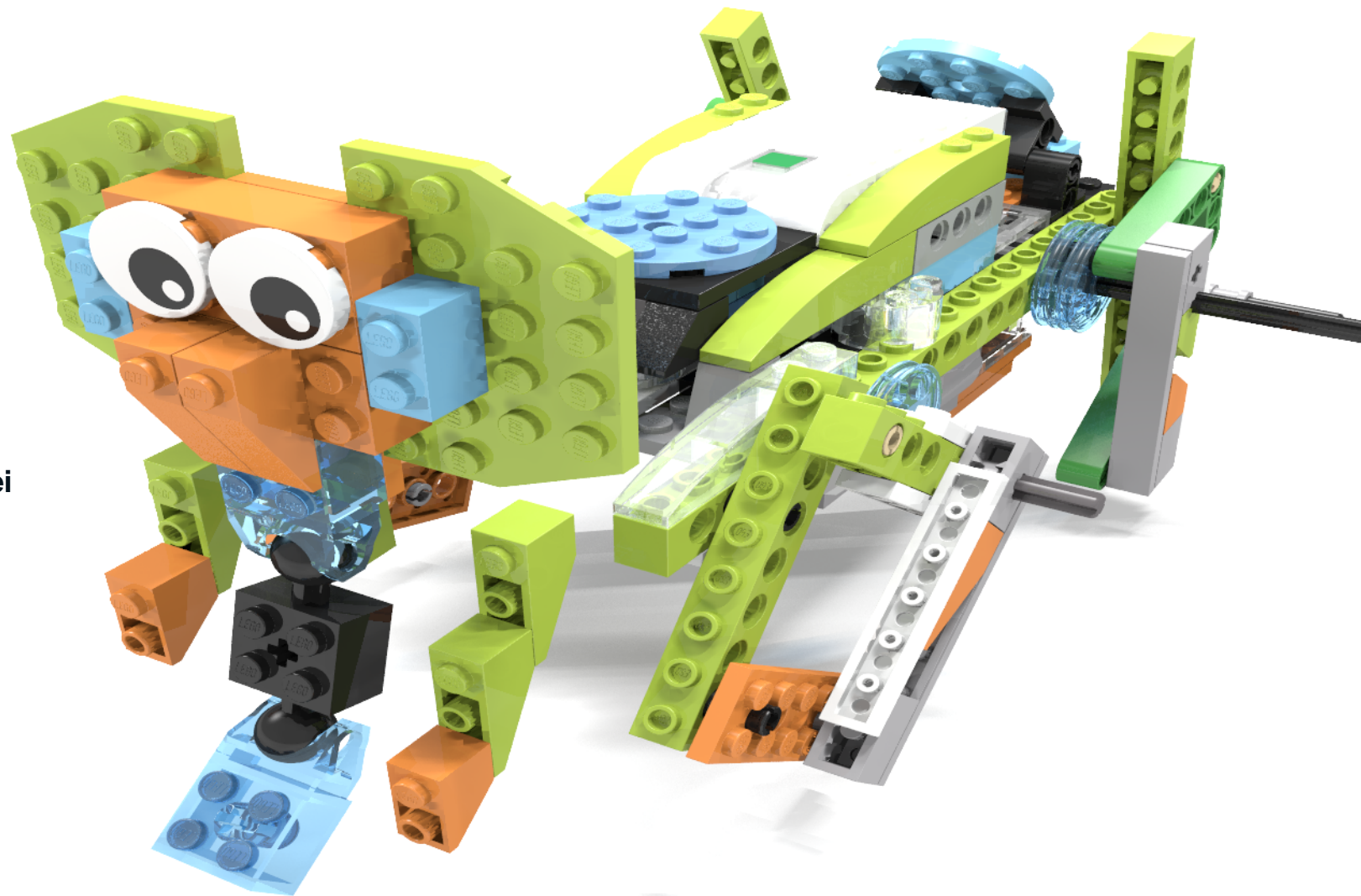


Wedo2.0 #14-Elephont

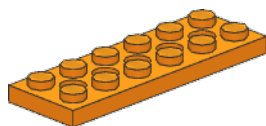
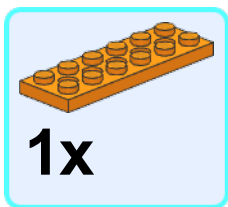
Elephont

Model instructions by Xing Wei

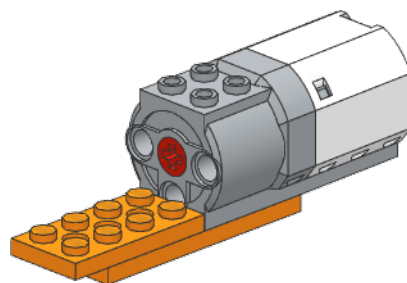
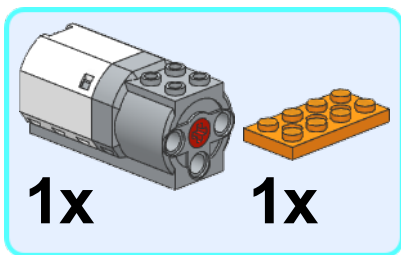
170 Pieces



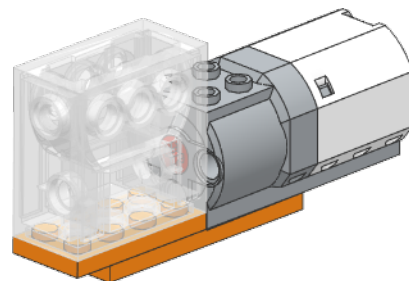
1

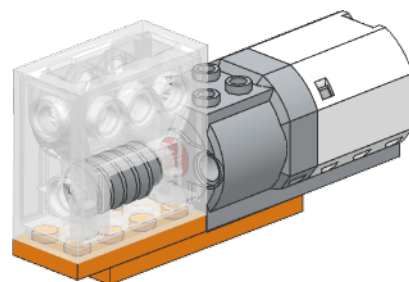


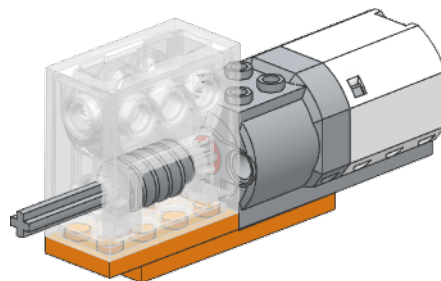
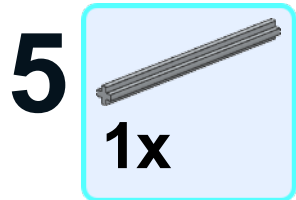
2



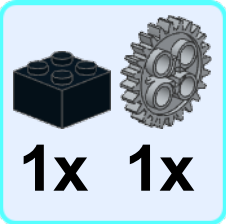
3



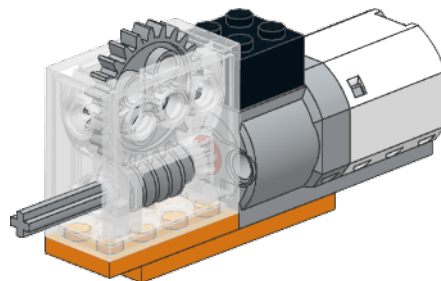




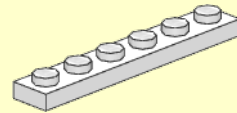
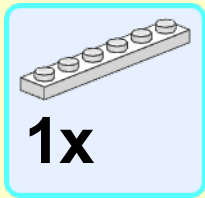
6



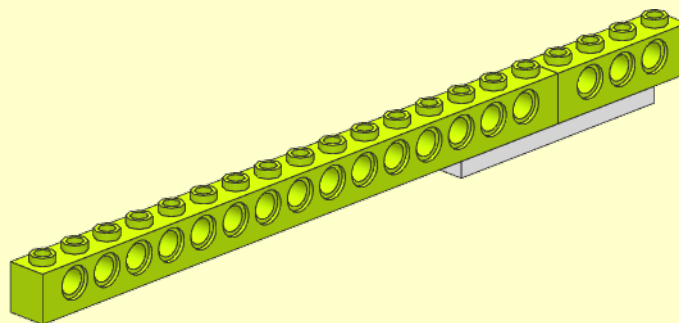
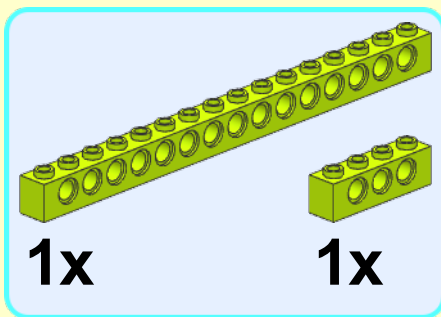
1x 1x



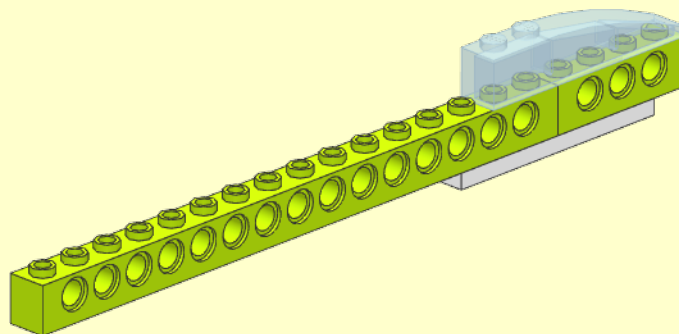
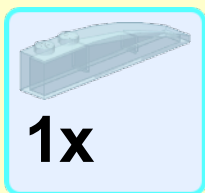
1



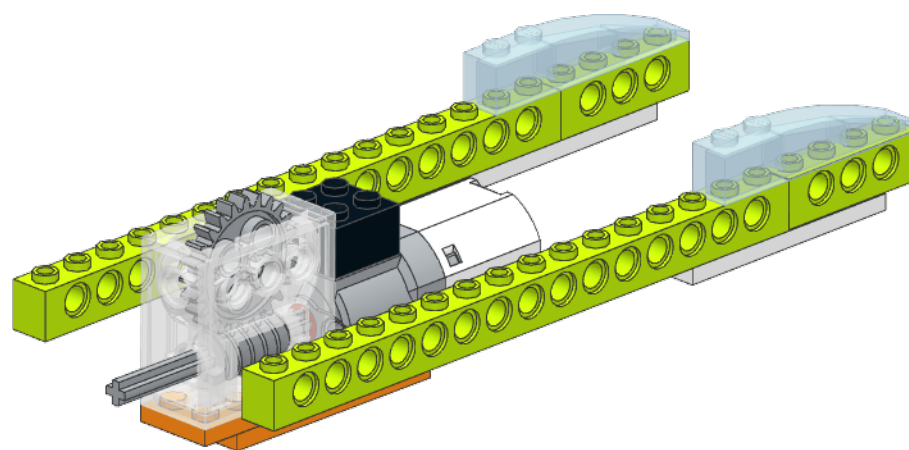
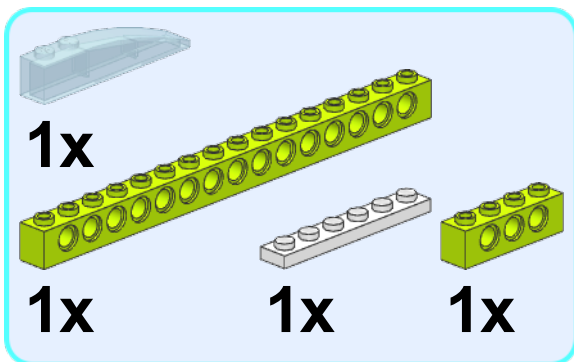
2



3



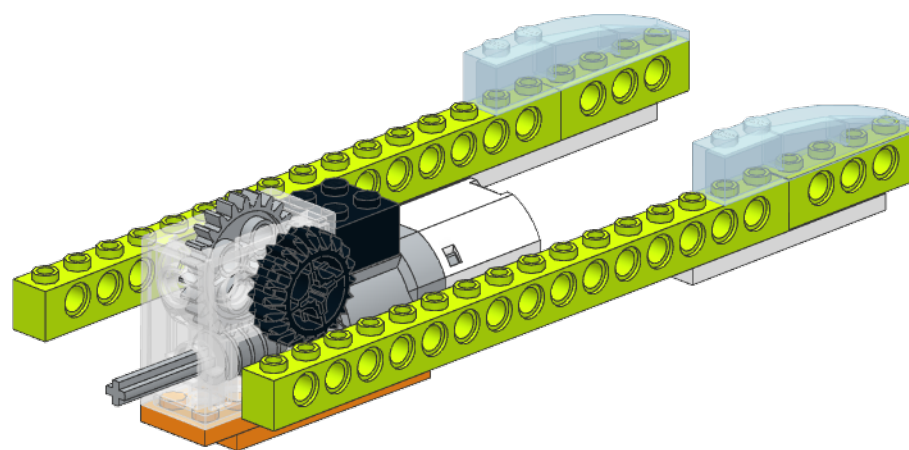
7



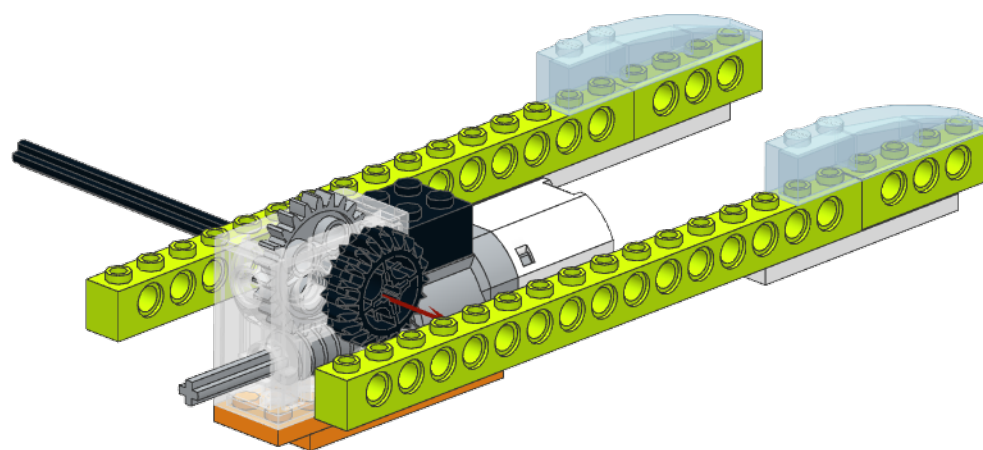
8



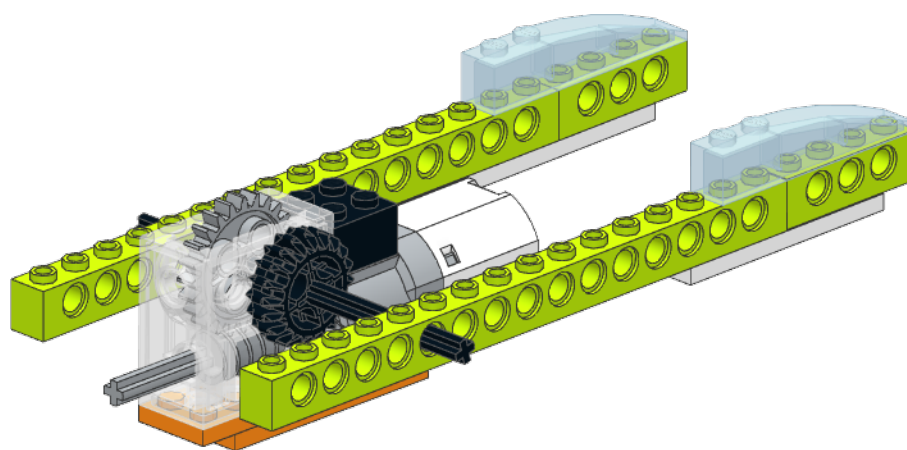
1x 1x



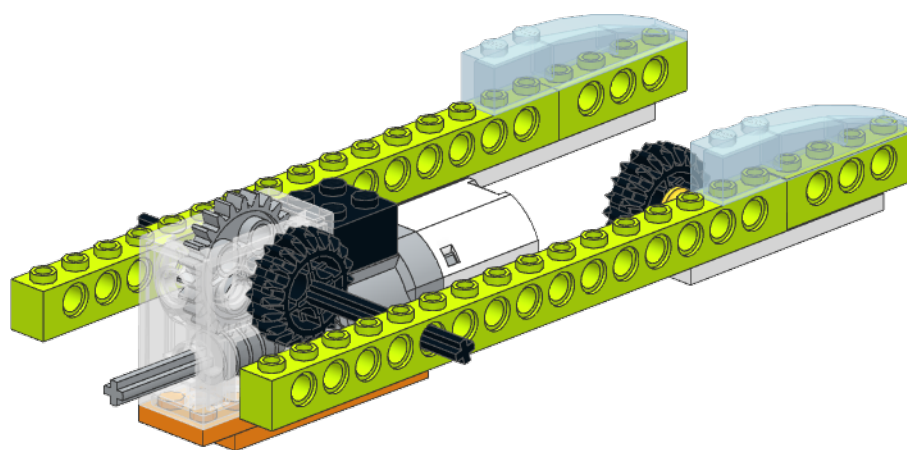
9



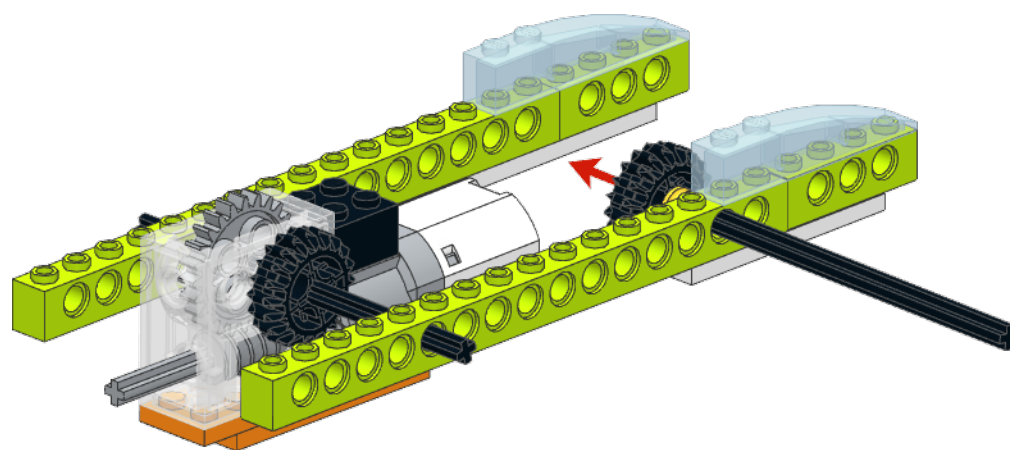
10



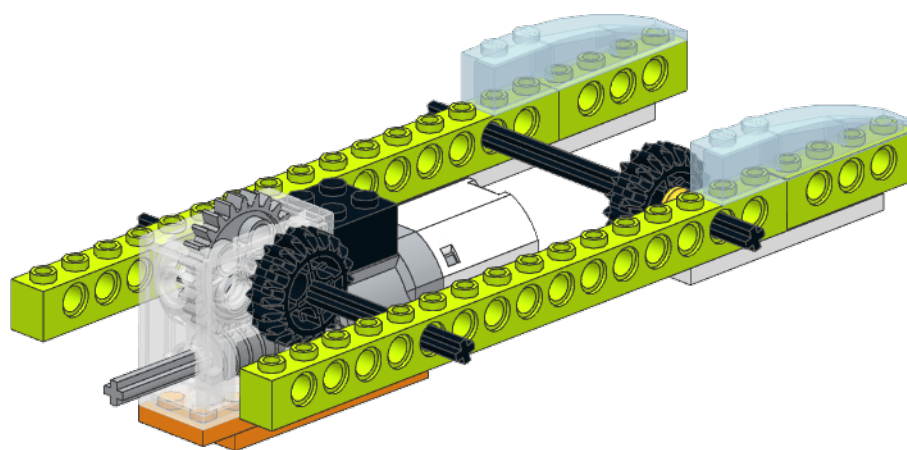
11




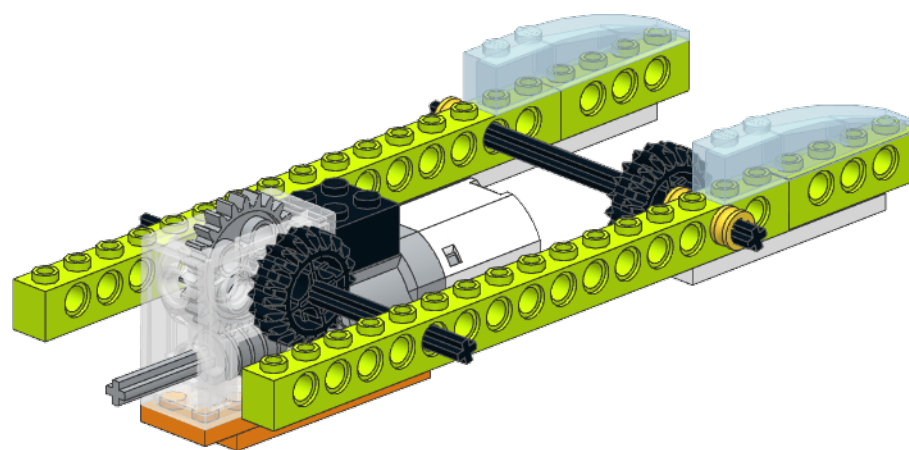
12



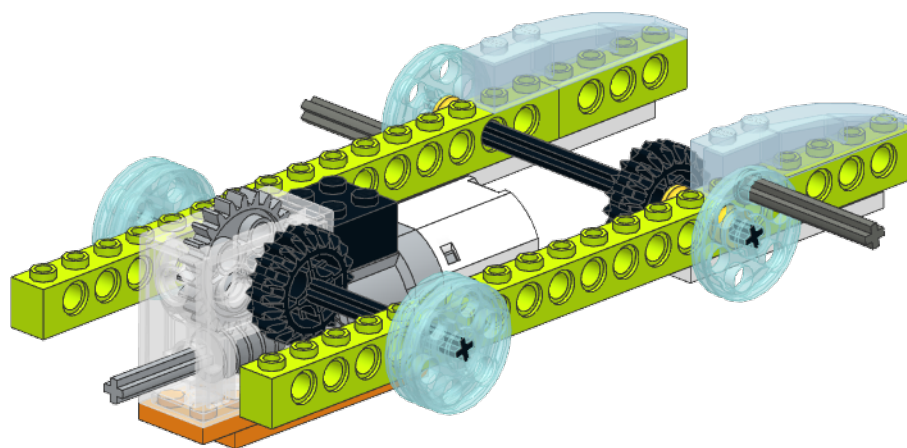
13



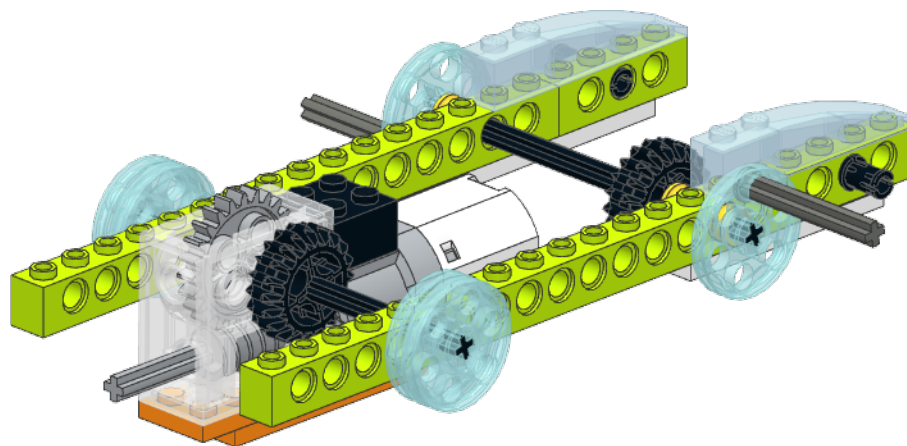
14  2x



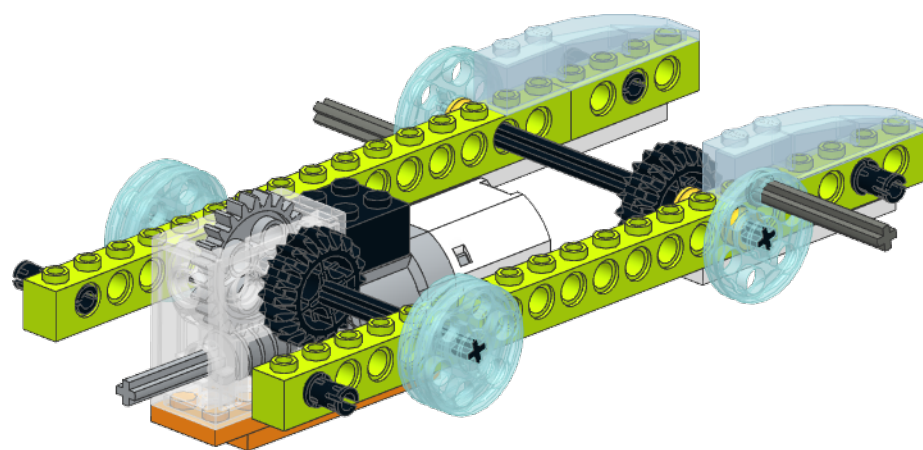
16



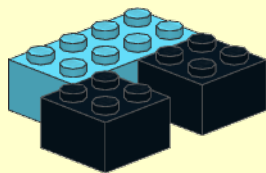
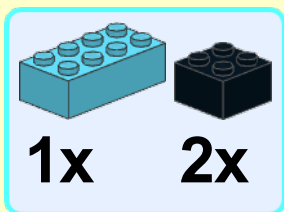
17  2x



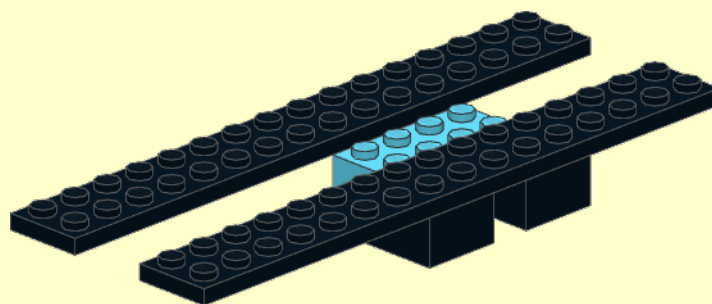
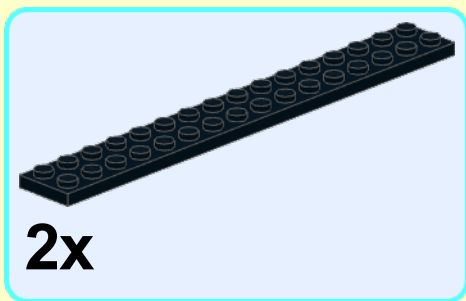
18 
2x



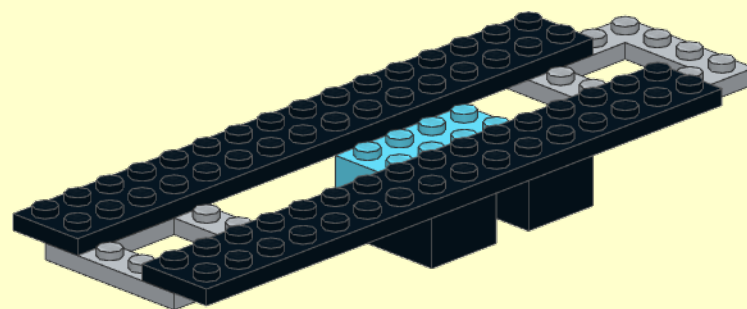
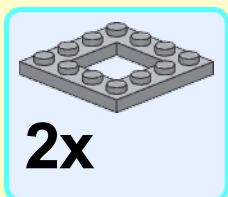
1

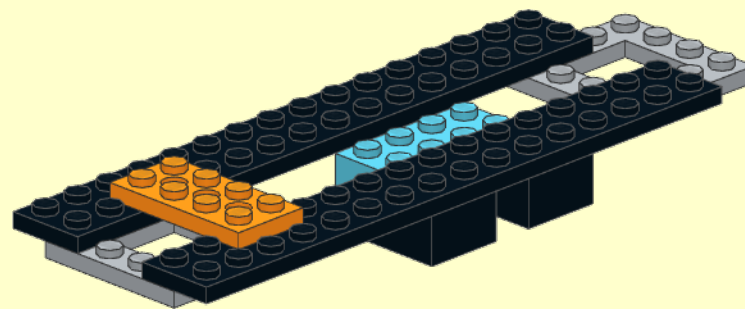
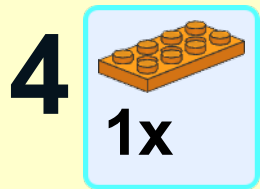


2

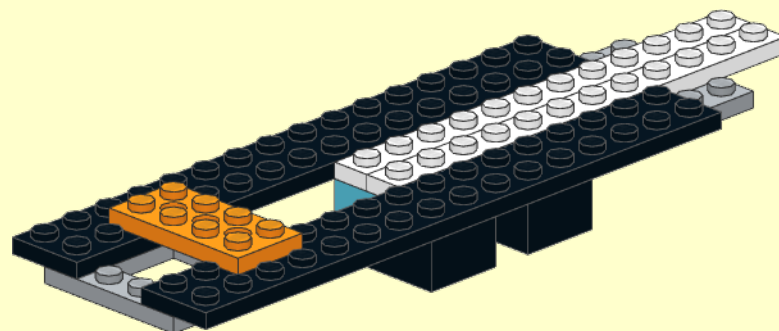
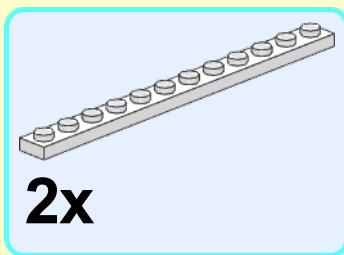


3

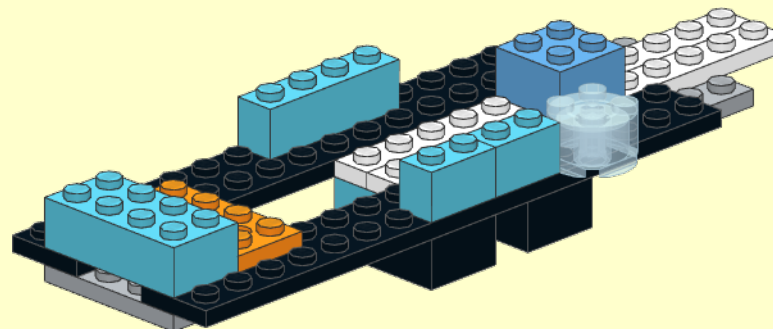
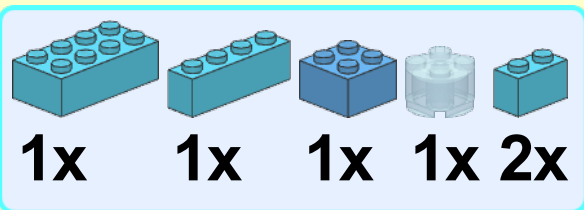




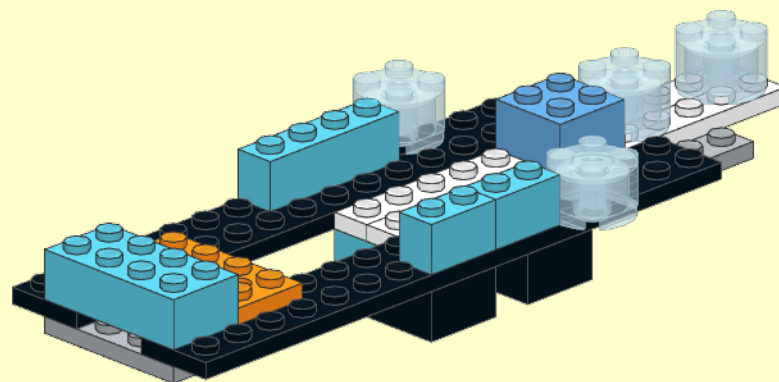
5



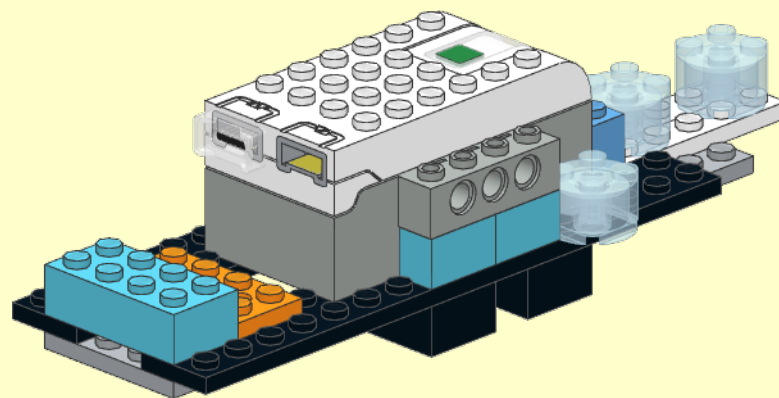
6



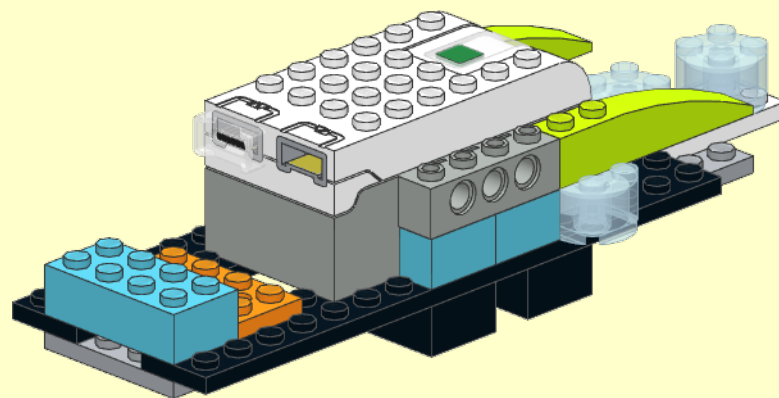
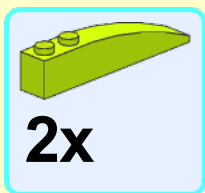
7
3x



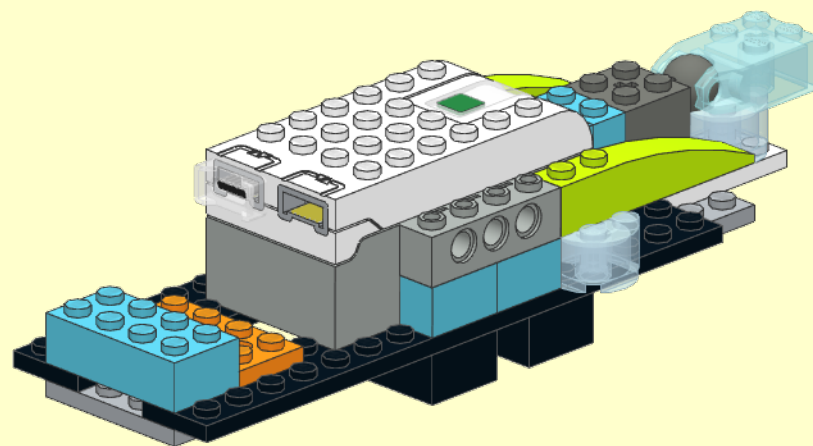
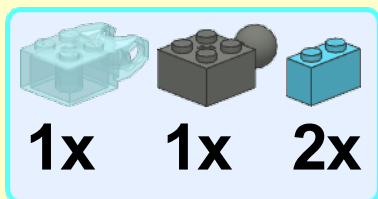
8



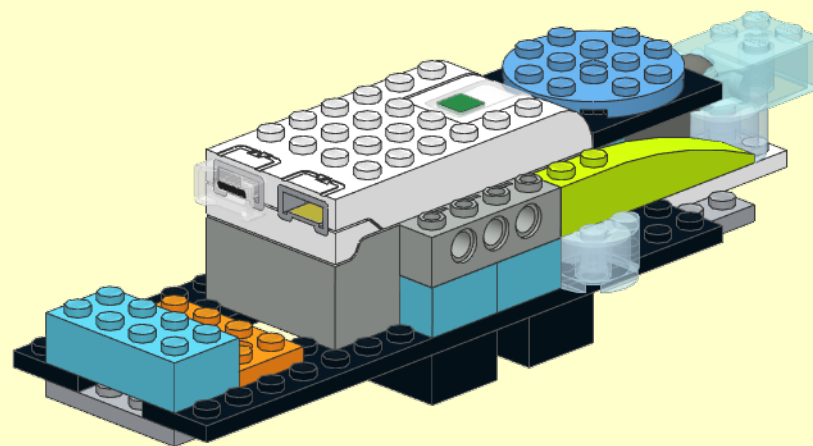
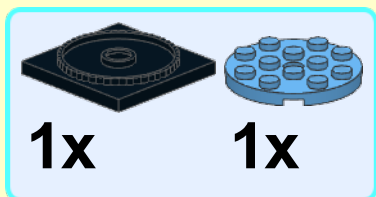
9



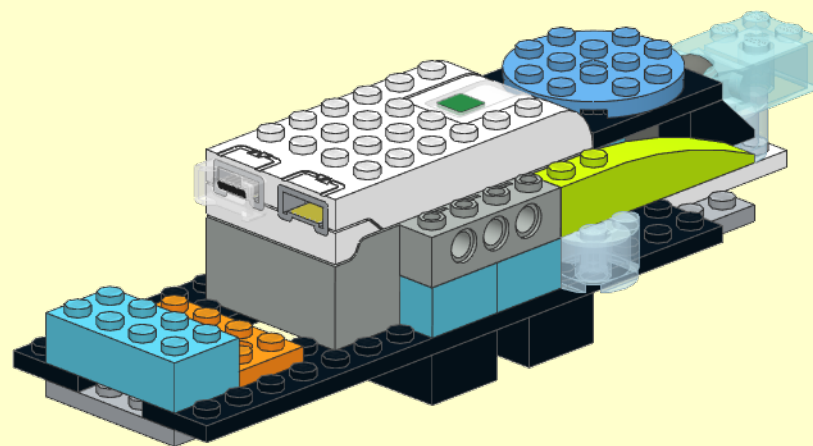
10



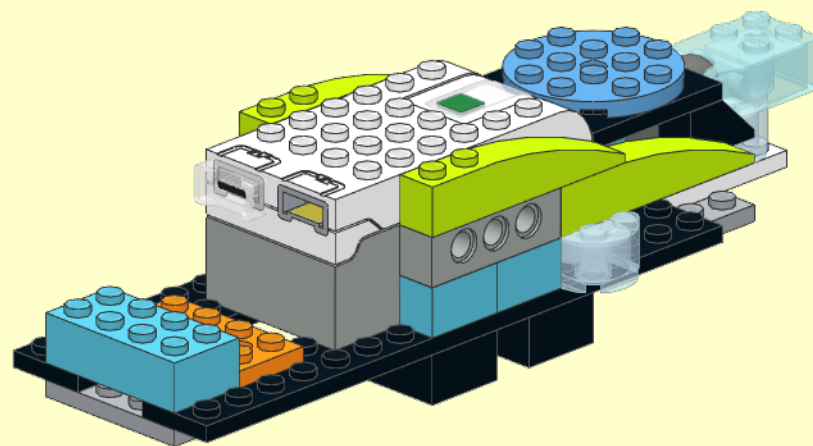
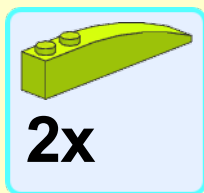
11



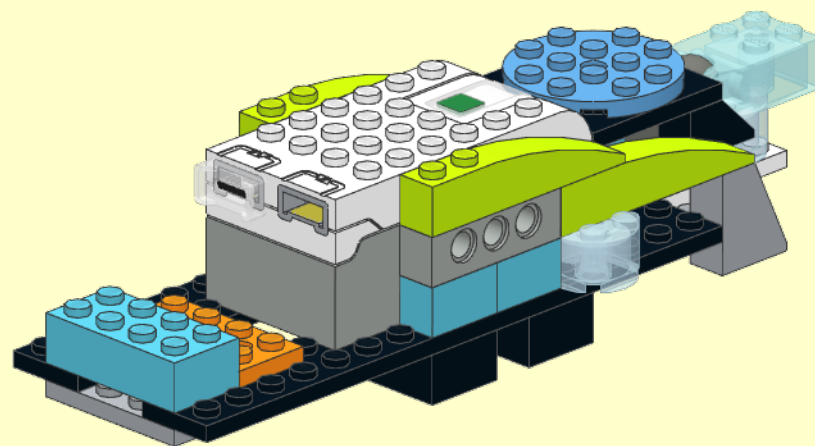
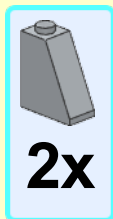
12 
2x



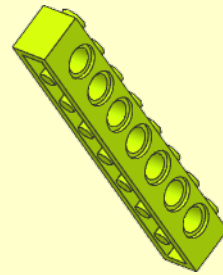
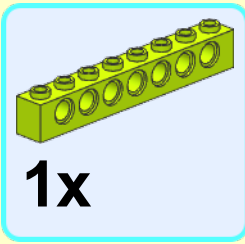
13



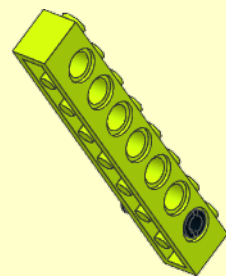
14



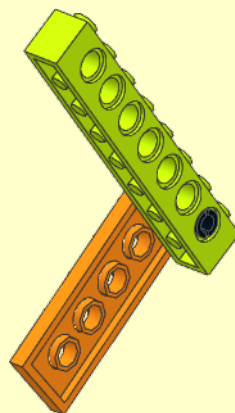
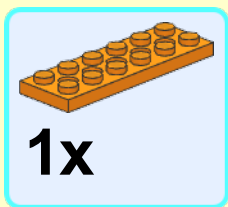
1



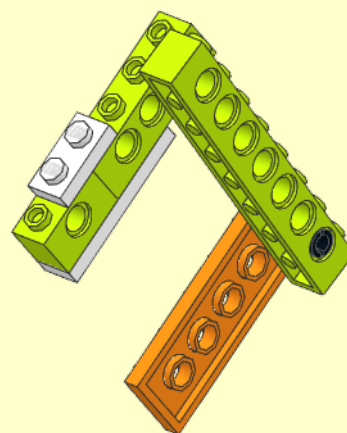
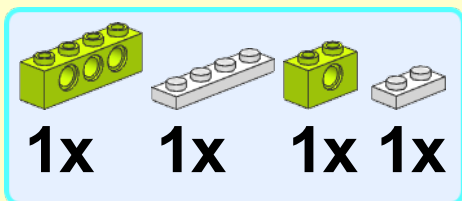
2  1x



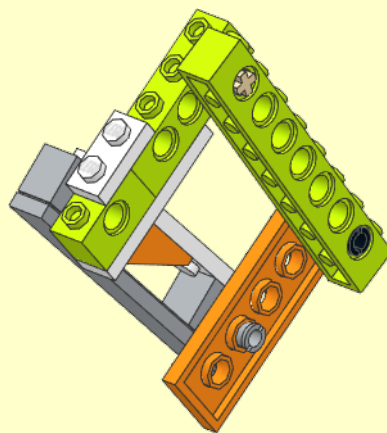
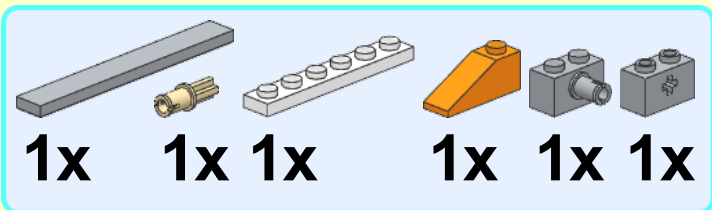
3



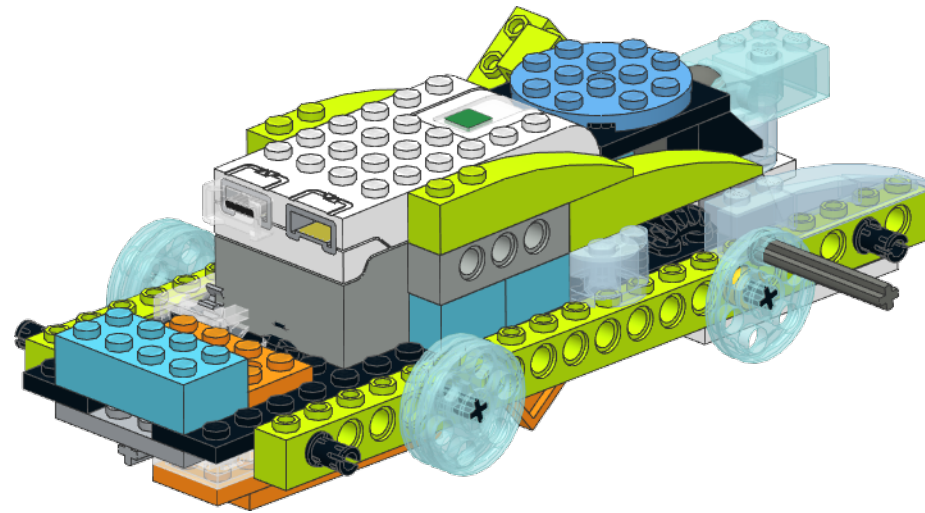
4



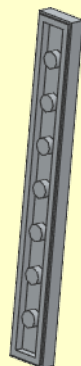
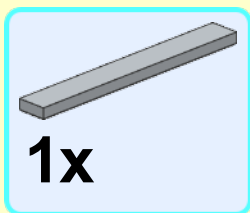
5



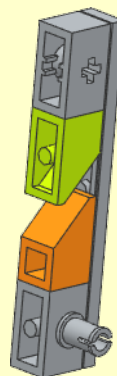
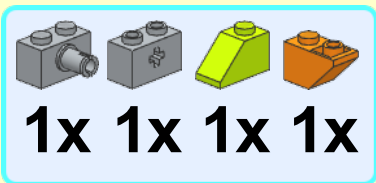
19



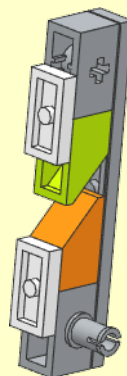
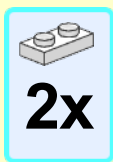
1



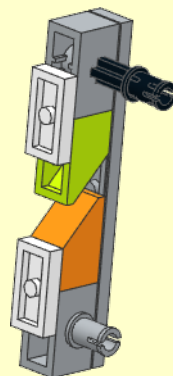
2



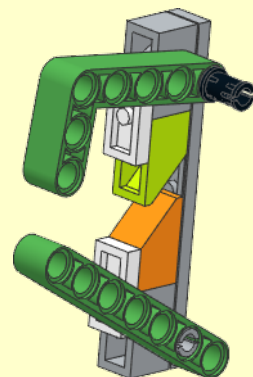
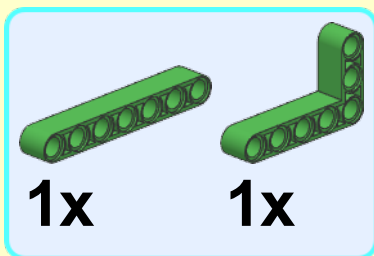
3



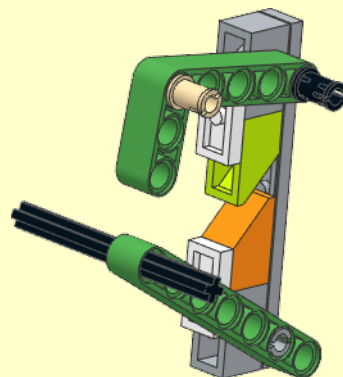
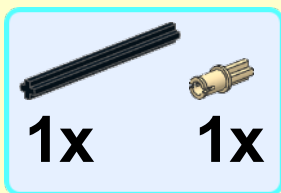
4
1x



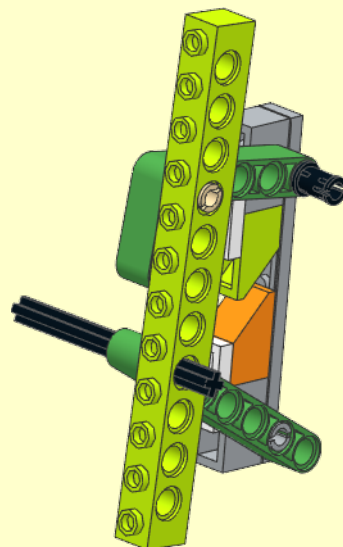
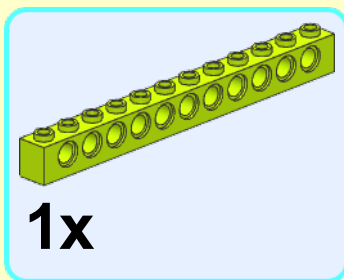
5




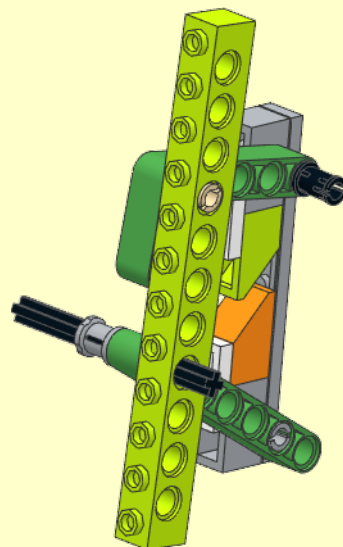
6

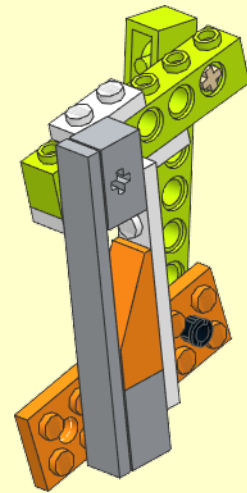
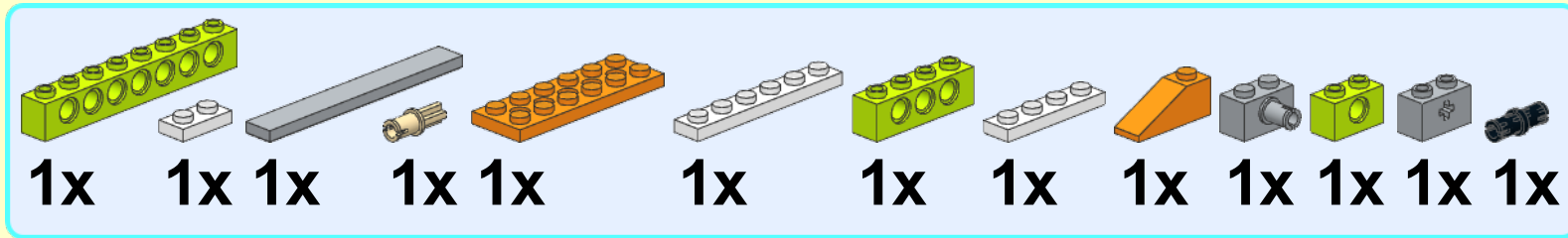


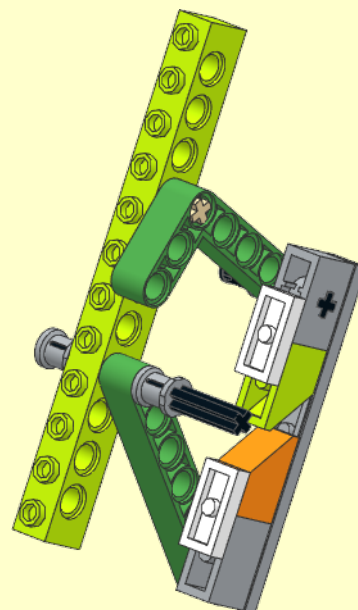
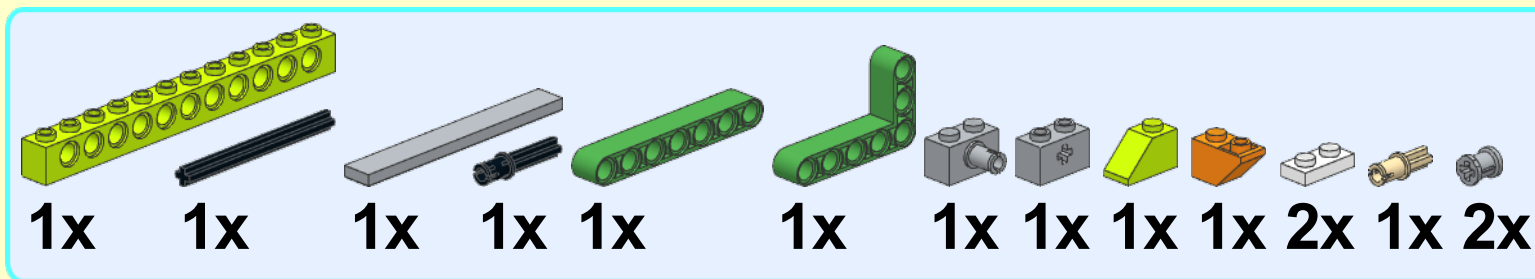
7



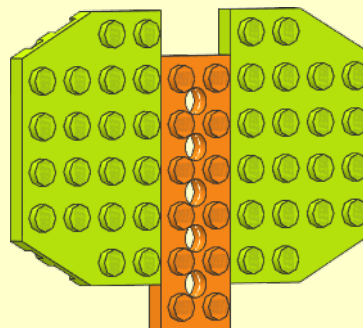
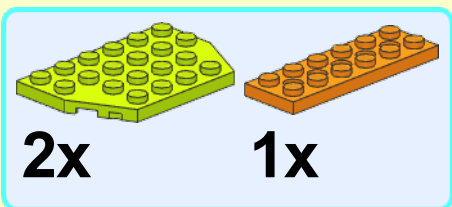
8  1x

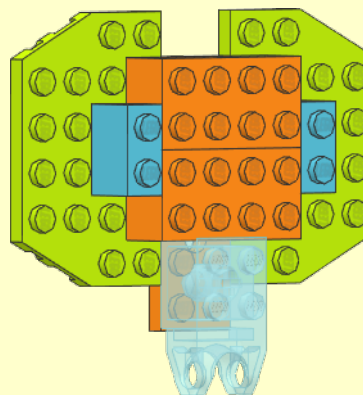
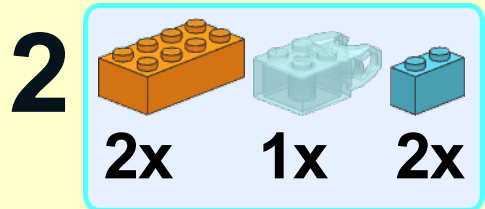




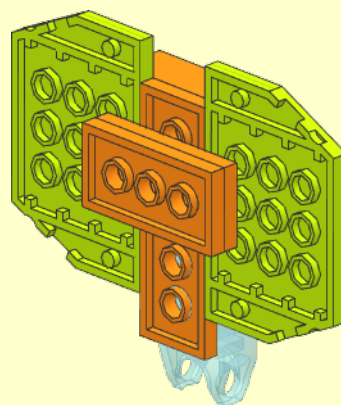
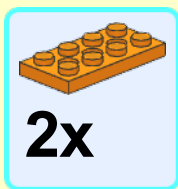


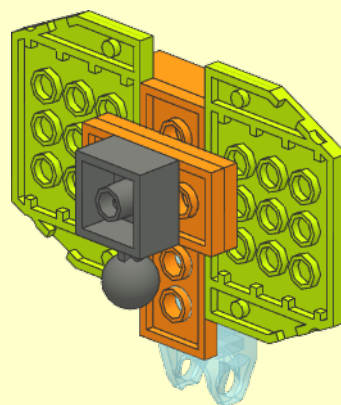
1



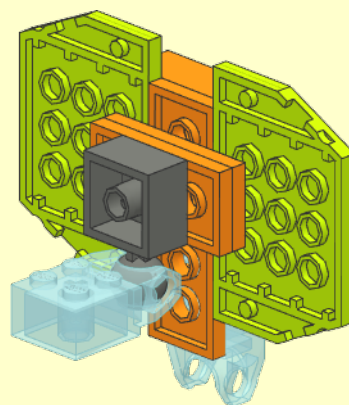



3

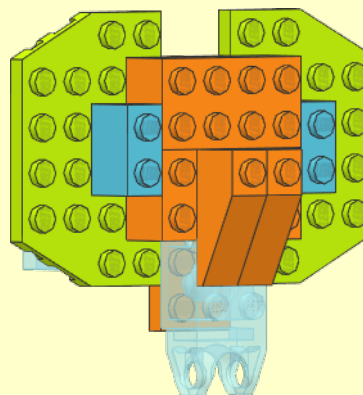




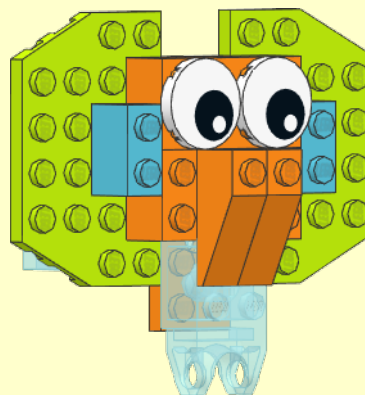
5



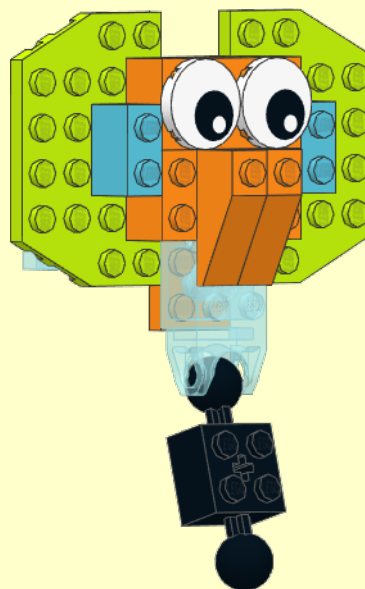
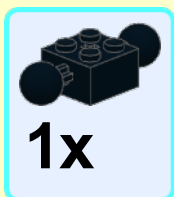
6 
2x



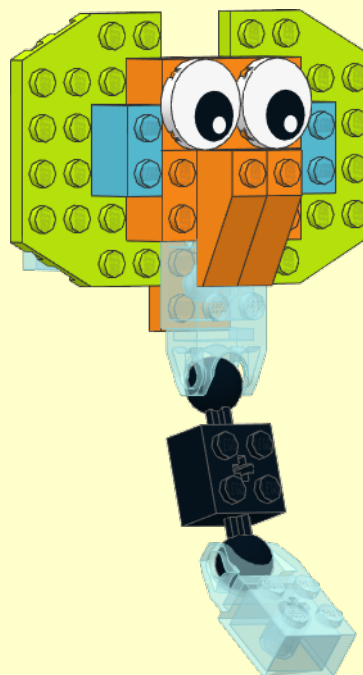
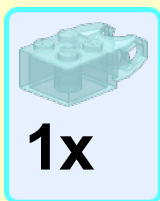
7 
2x



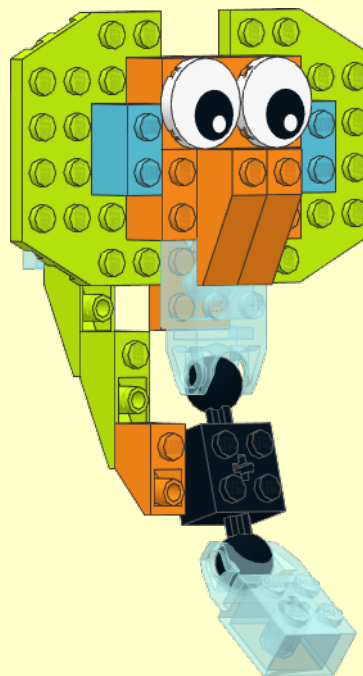
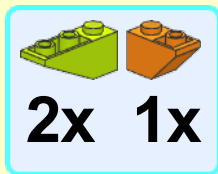
8








9

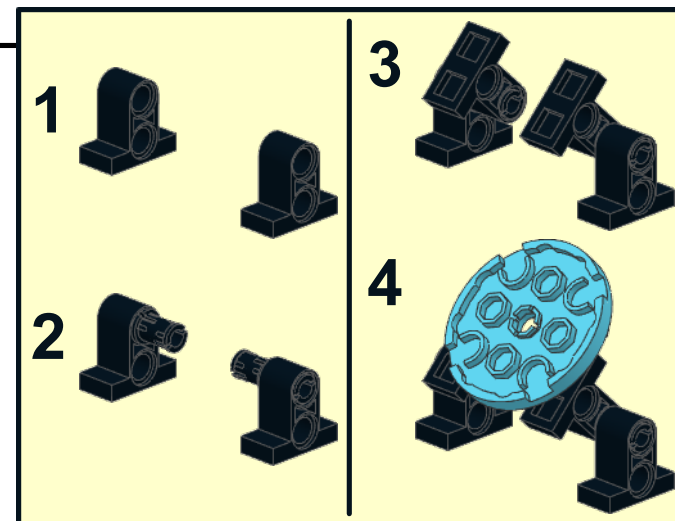
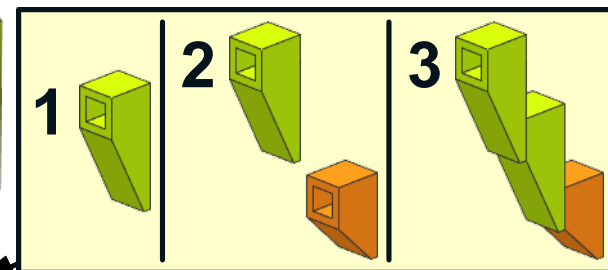
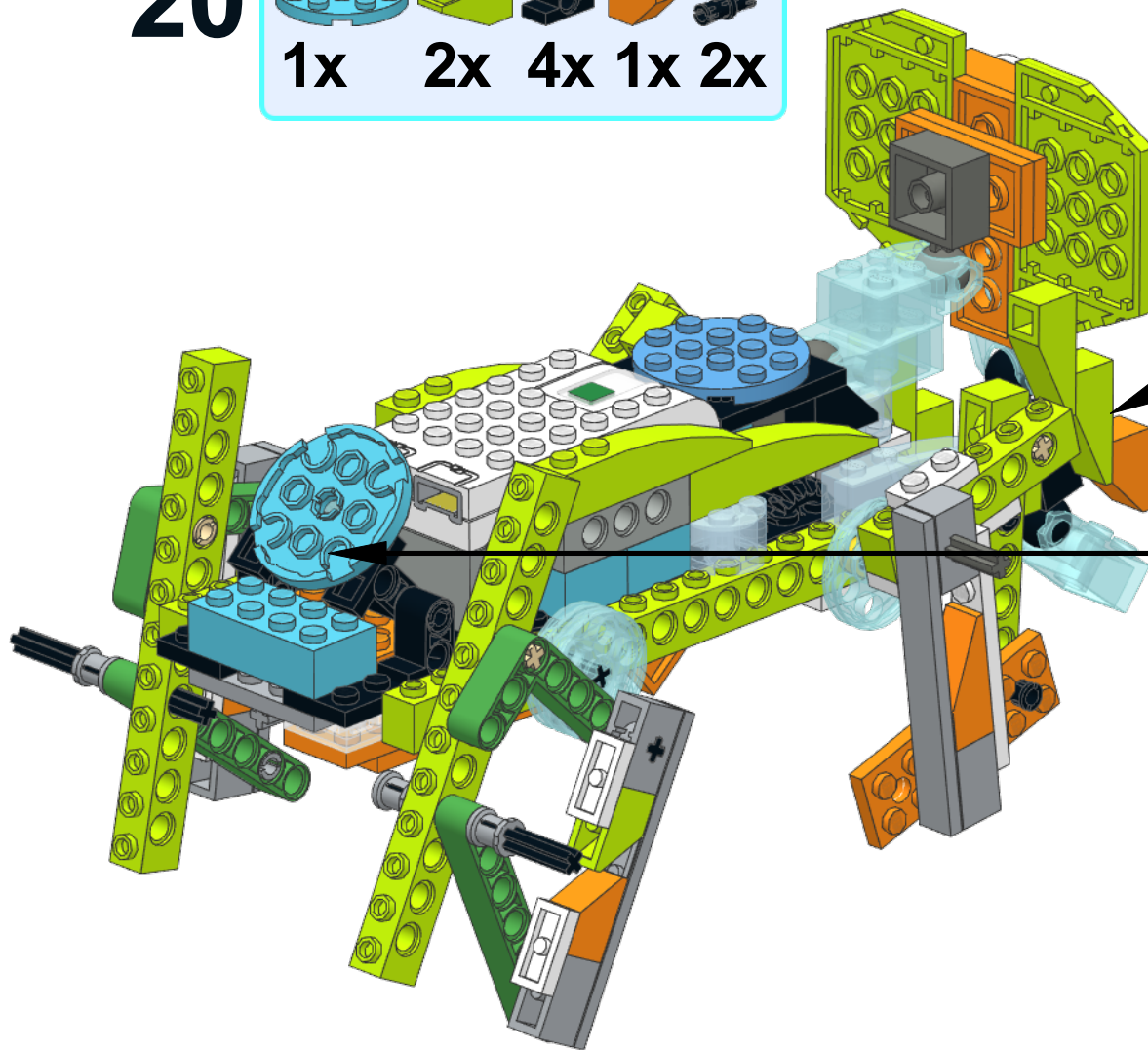


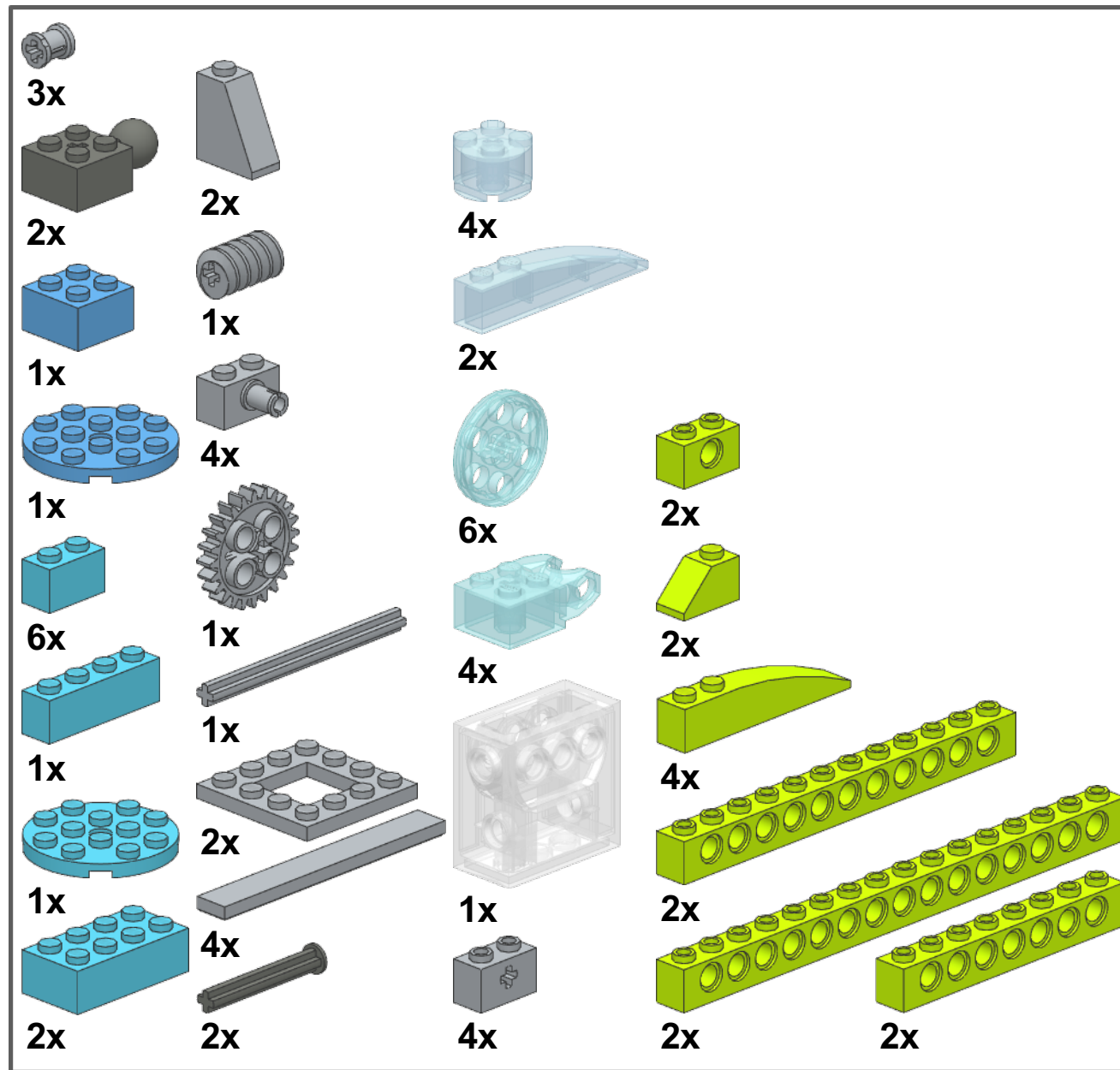
10

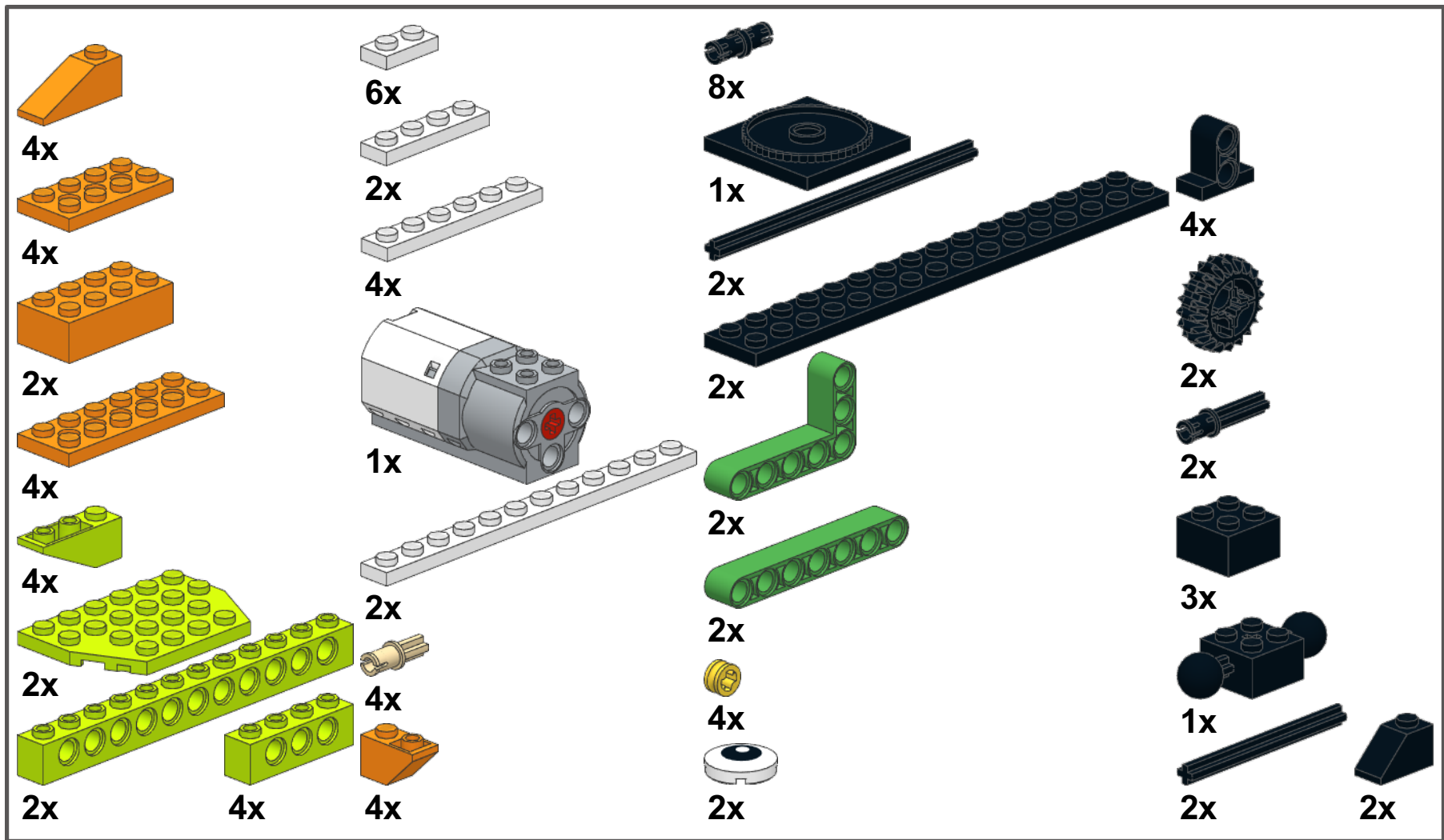


20

- 1x 
- 2x 
- 4x 
- 1x 
- 2x 







Elephant

QQ:313969533

Copyright © 2016

Model instructions by Xing Wei

LEGO® is a registered trademark of the LEGO Group, which does not sponsor, endorse, or authorize these instructions or the model they depict.