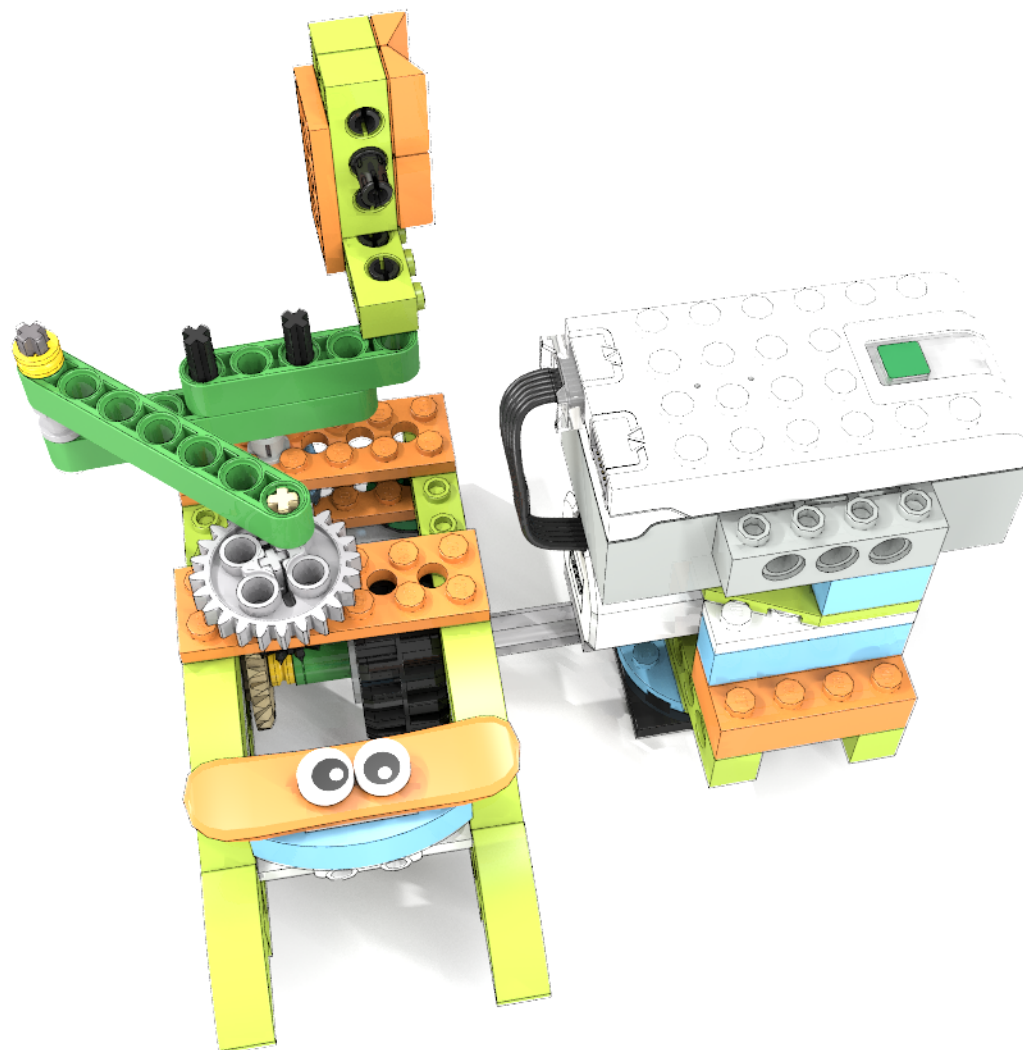


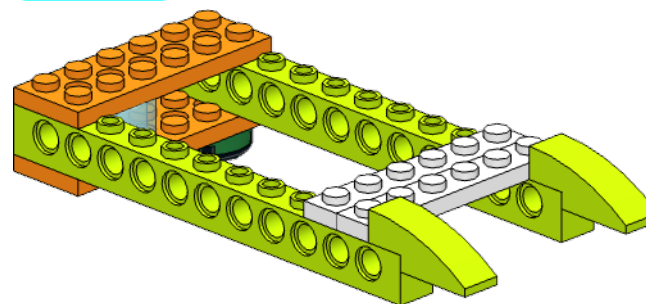
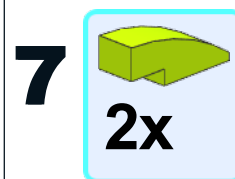
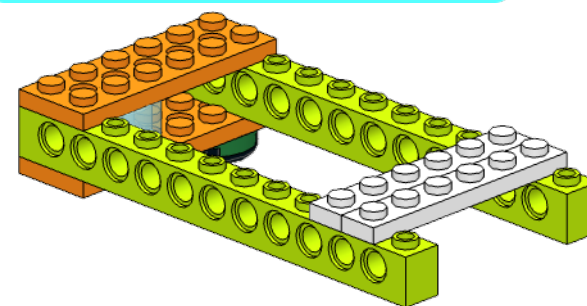
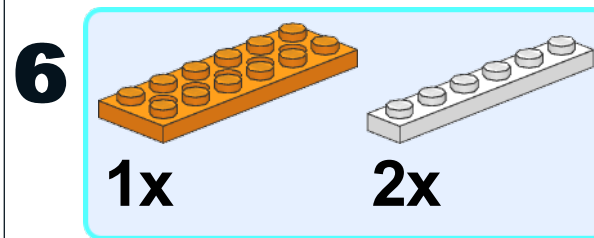
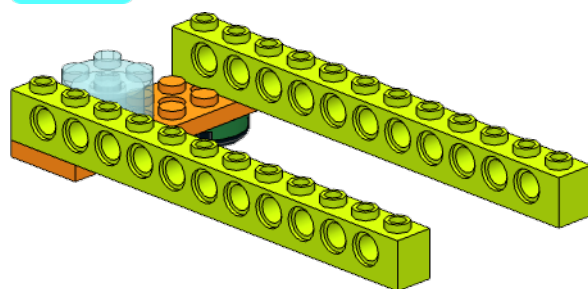
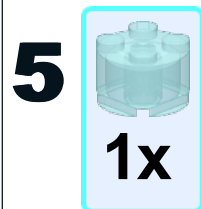
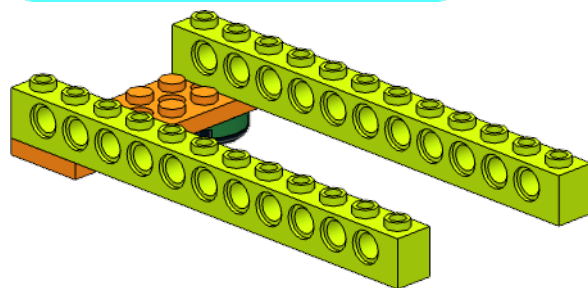
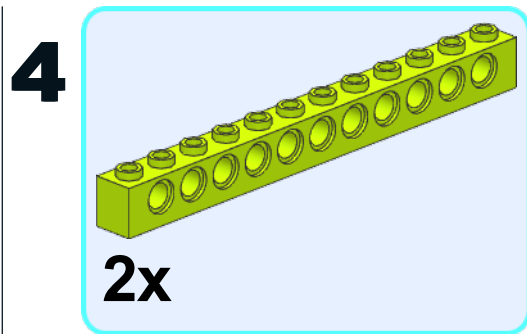
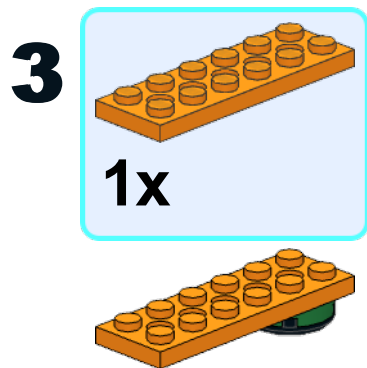
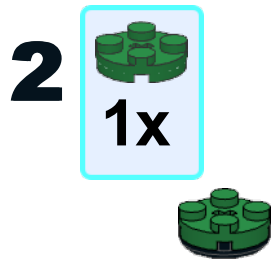
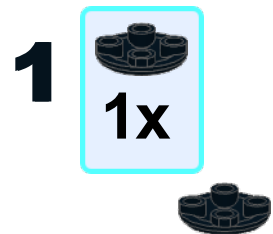
Wedo2.0 #18-WeDo Spirograph

## WeDo Spirograph

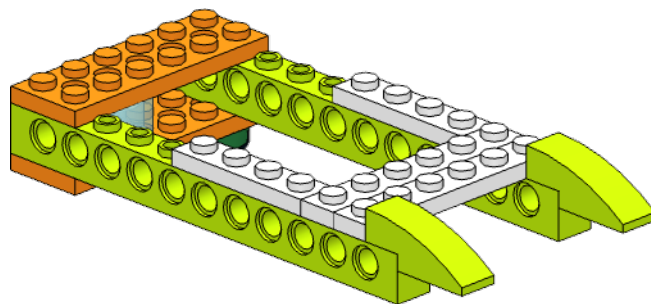
Model instructions by Xing Wei

665 Pieces

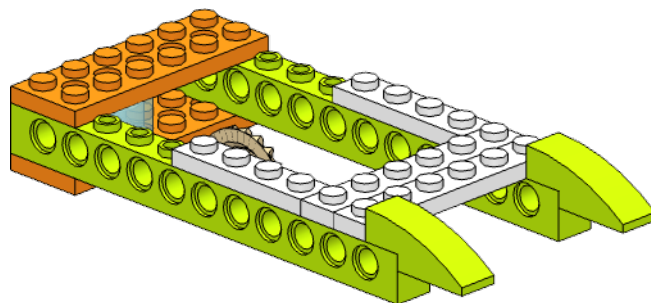




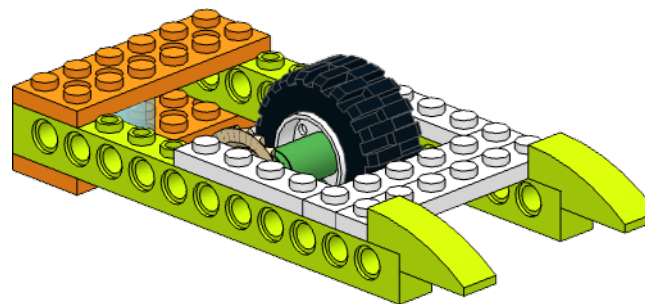
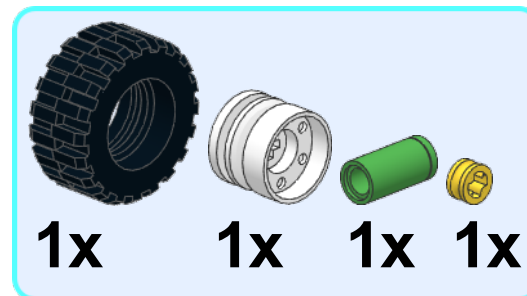
**8**  
2x



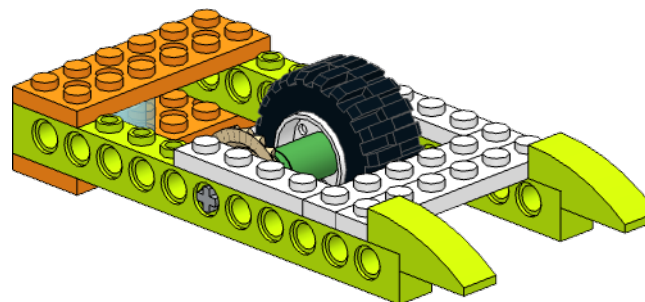
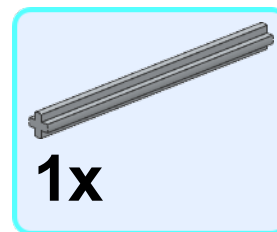
**9**  
1x



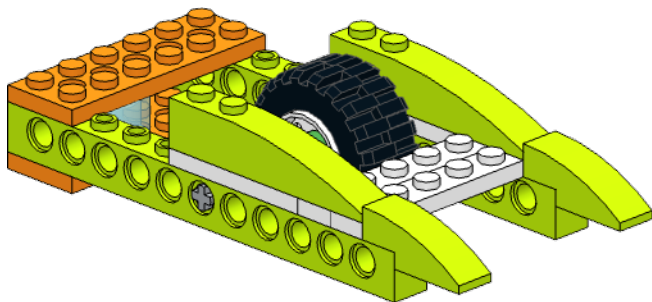
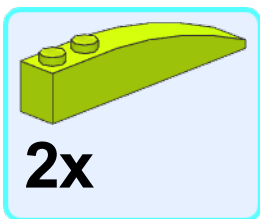
**10**



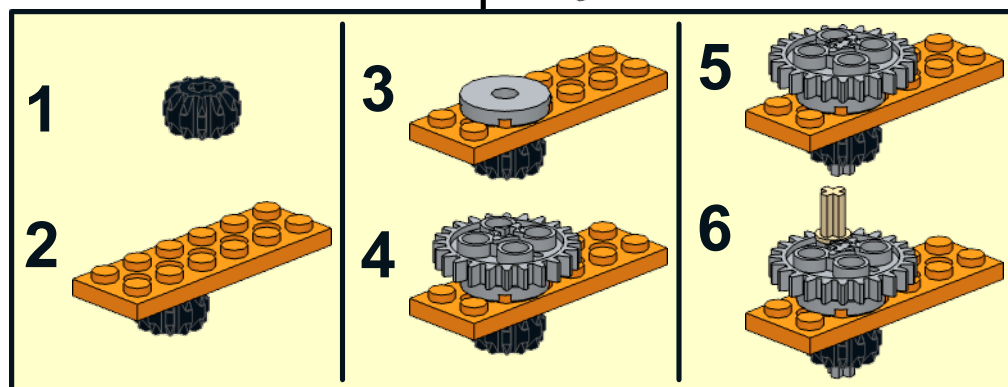
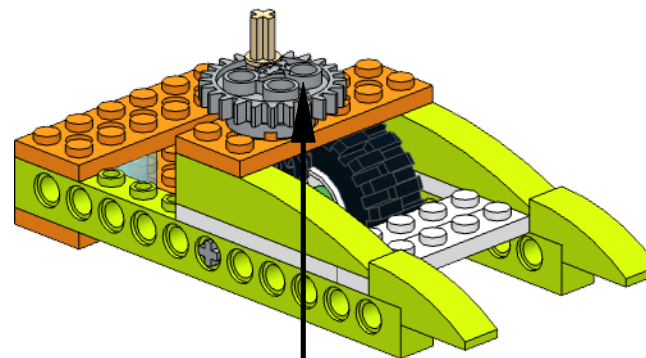
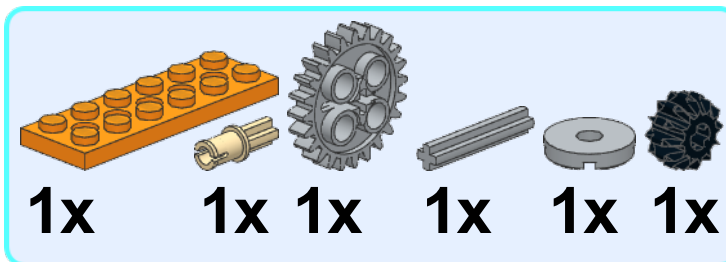
**11**



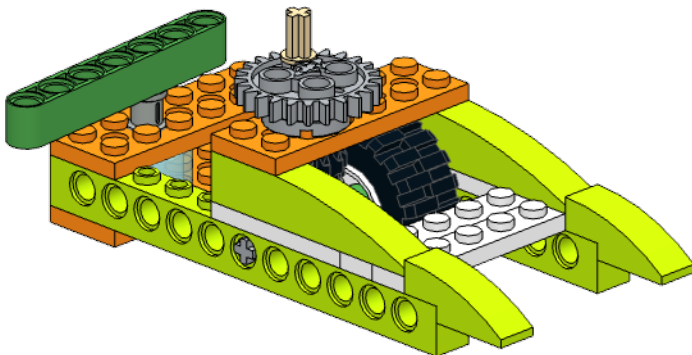
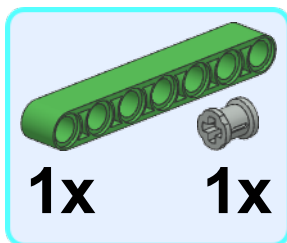
12



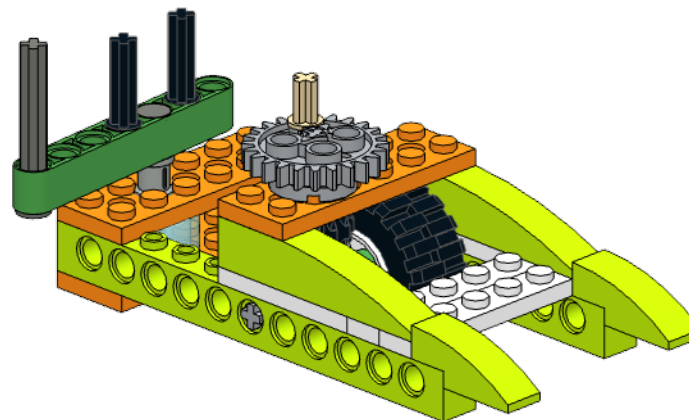
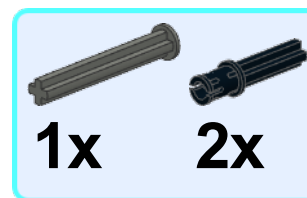
13



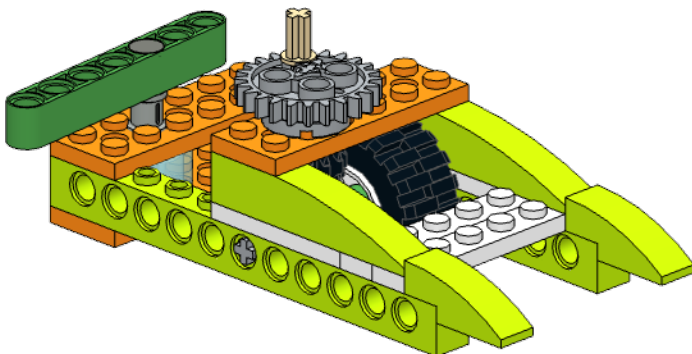
14



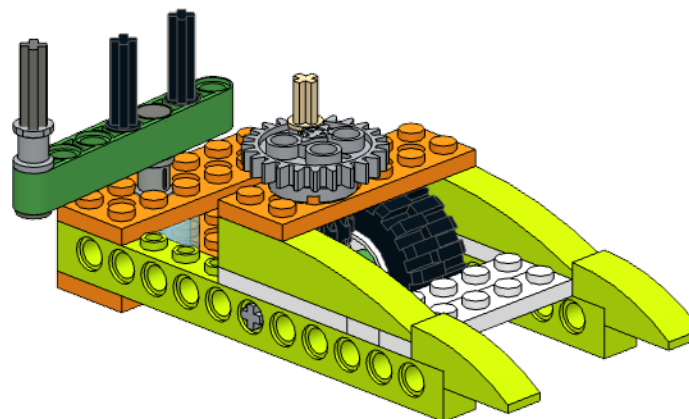
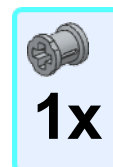
16

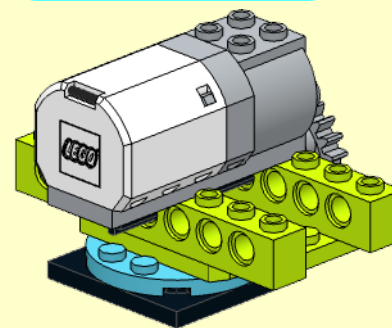
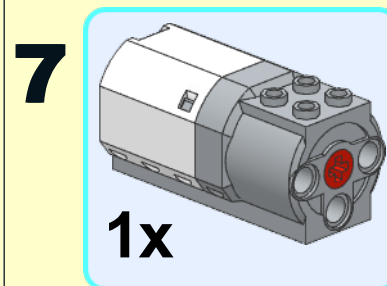
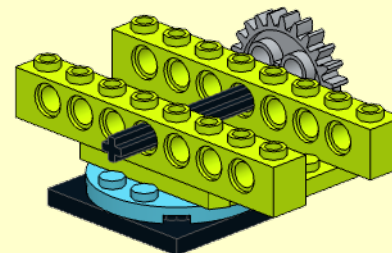
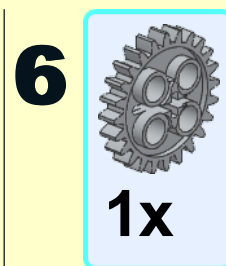
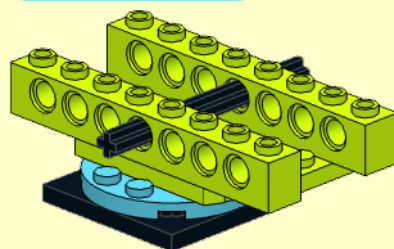
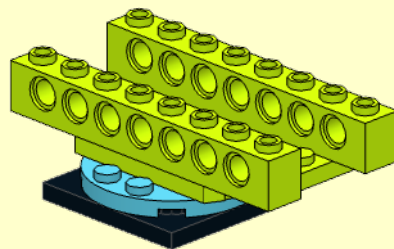
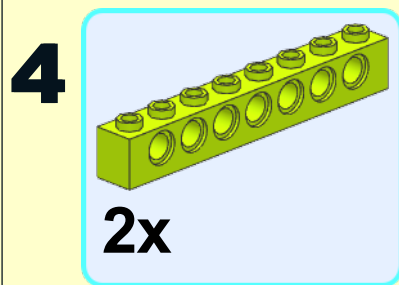
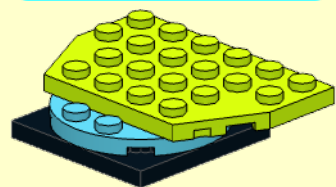
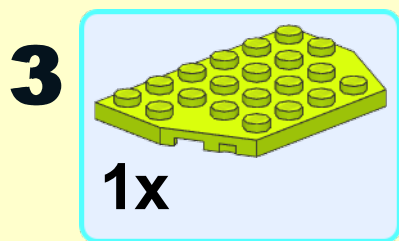
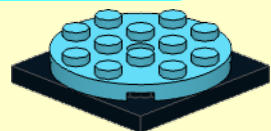
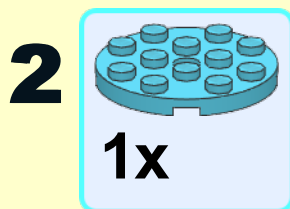
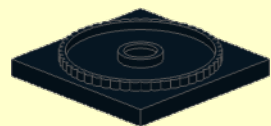
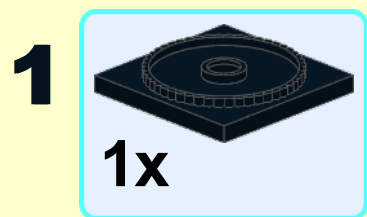


15

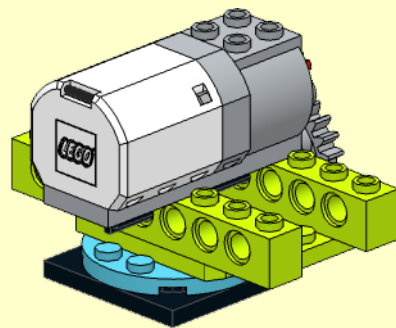
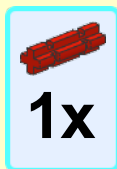


17

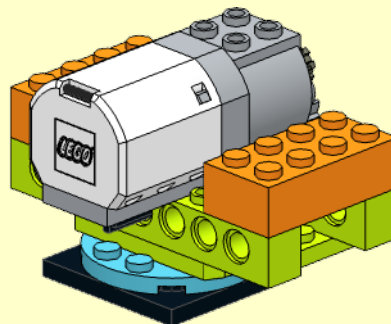
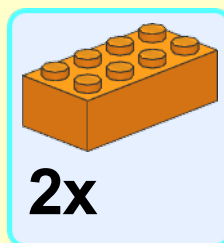




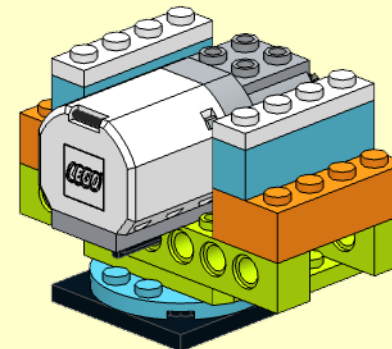
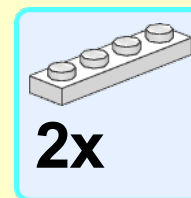
8



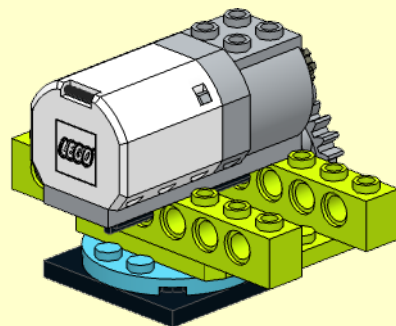
10



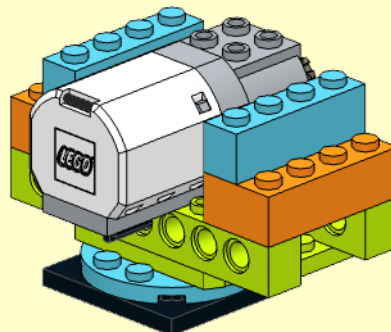
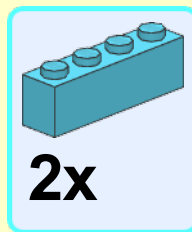
12



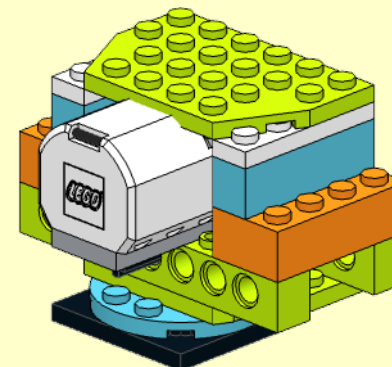
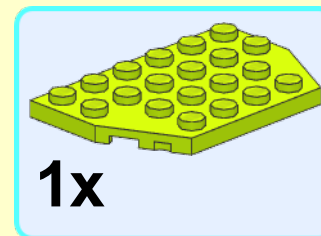
9

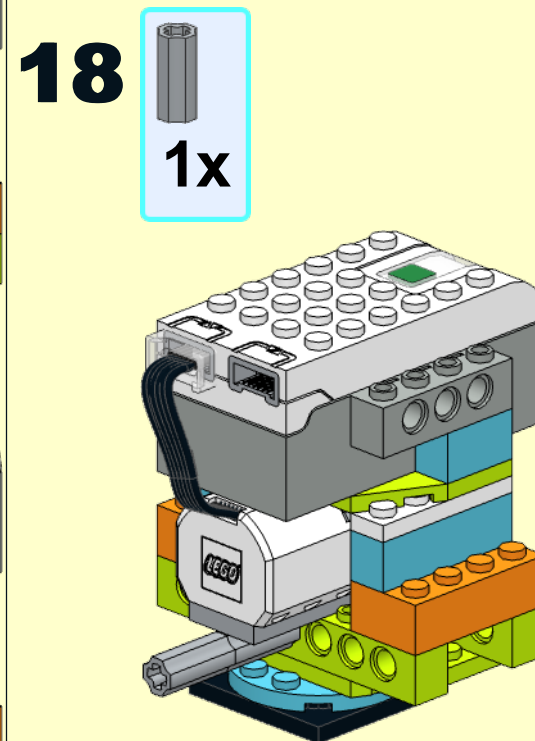
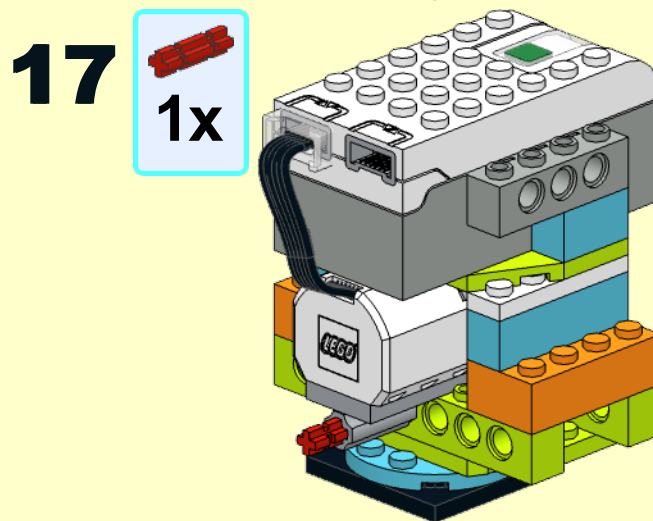
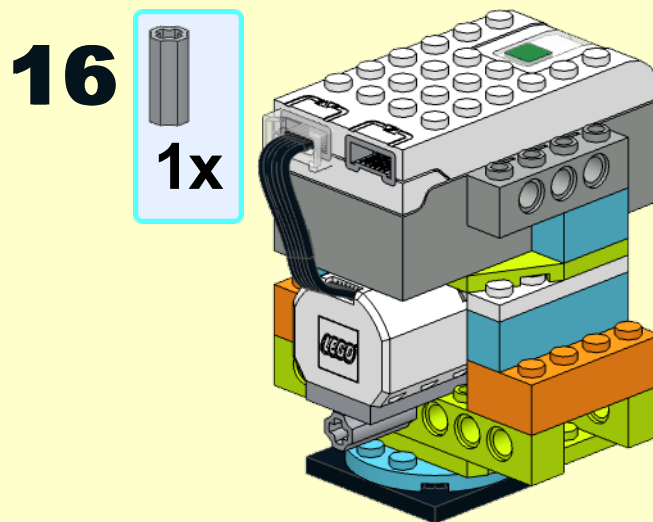
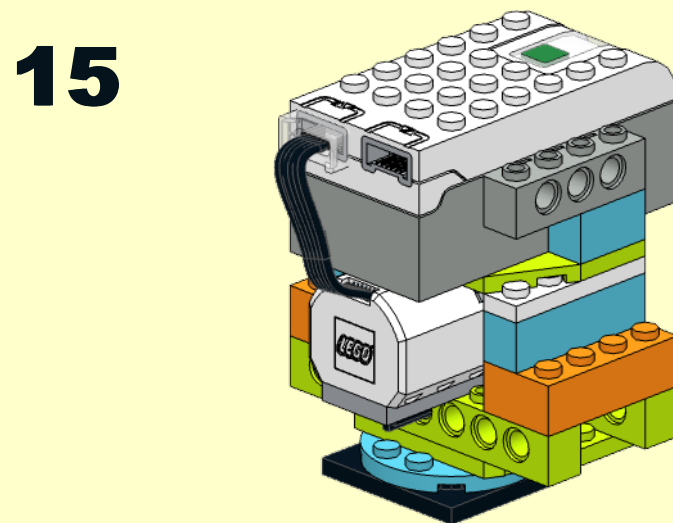
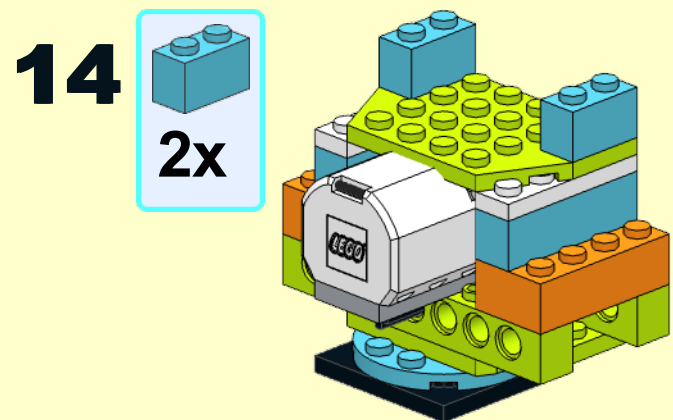


11



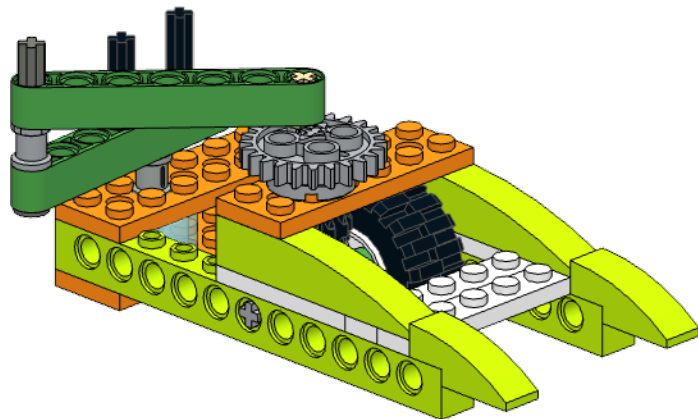
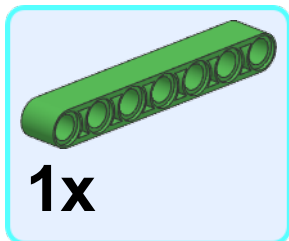
13



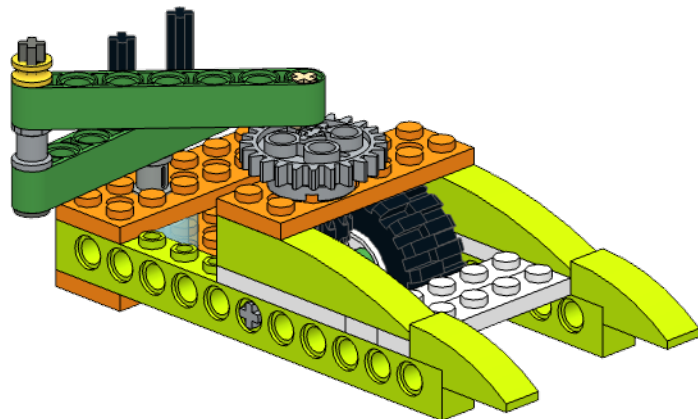




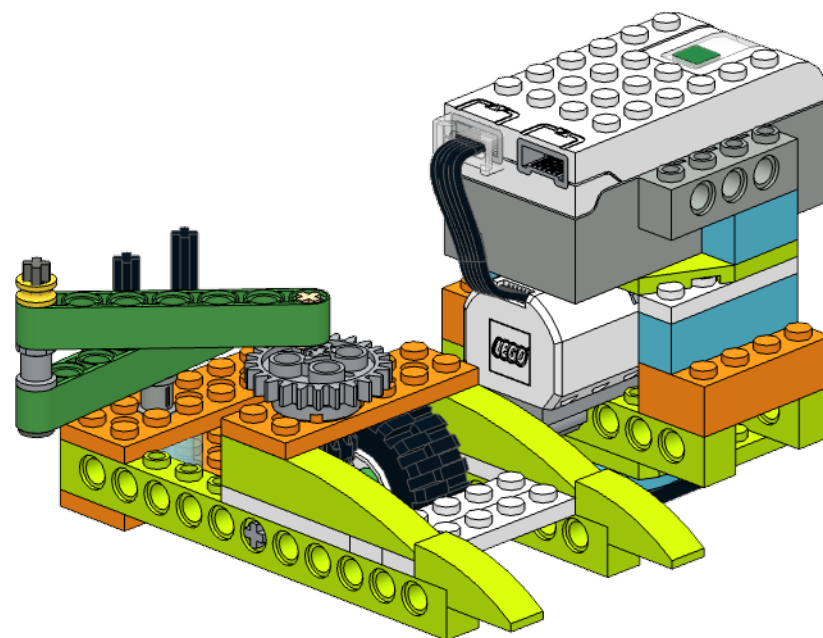
18



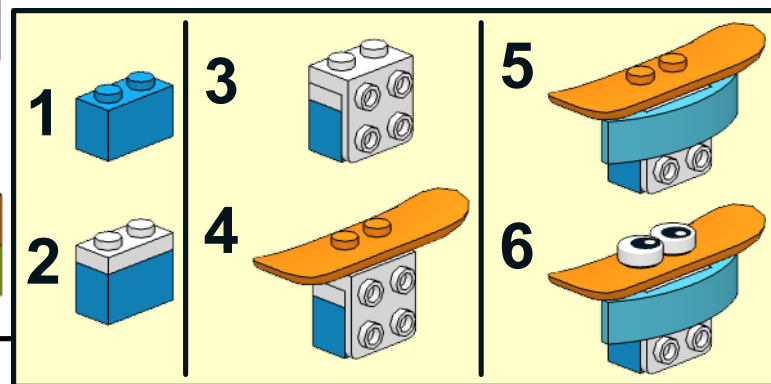
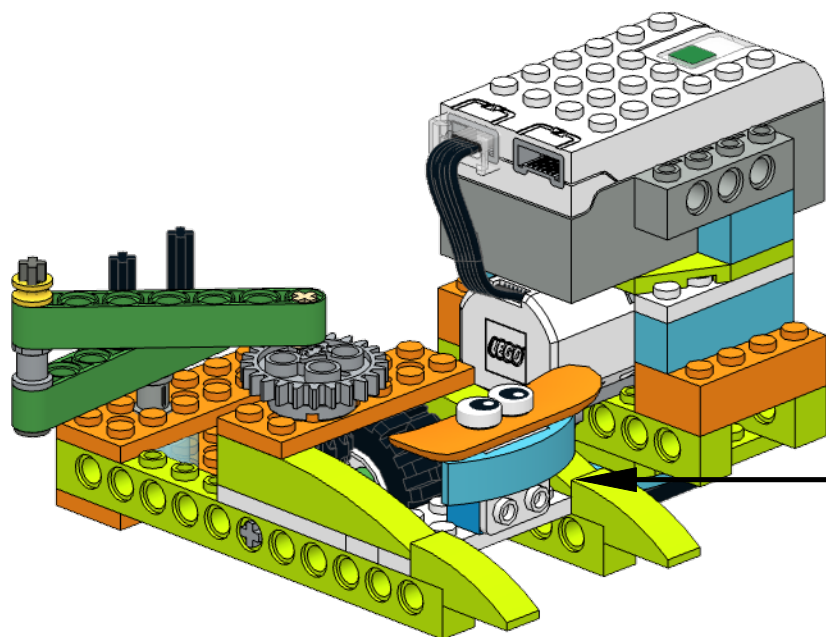
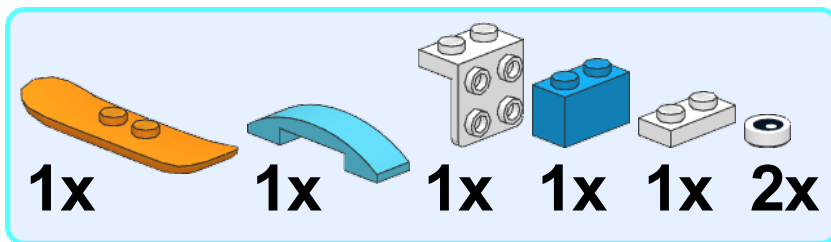
19

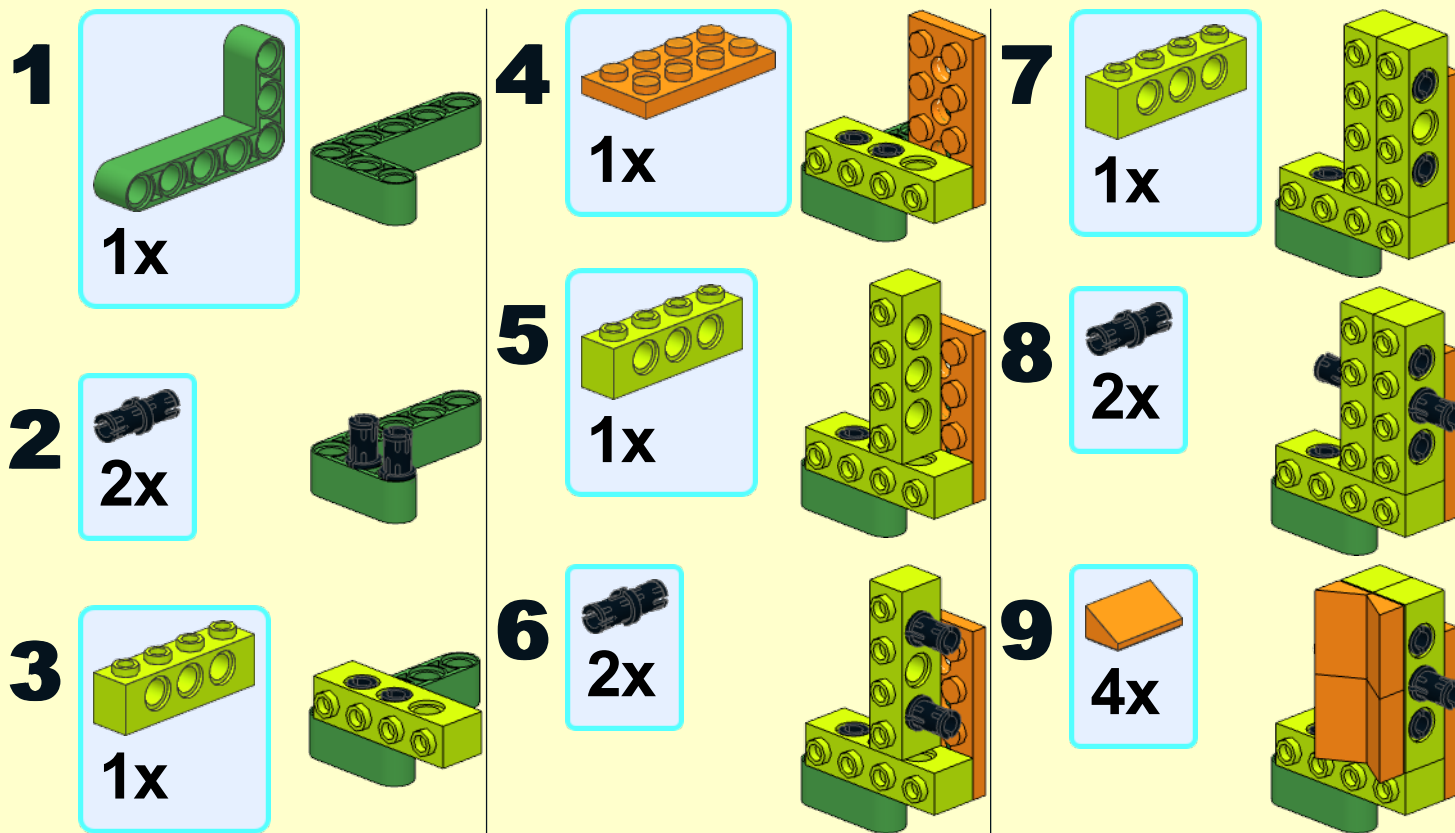


20

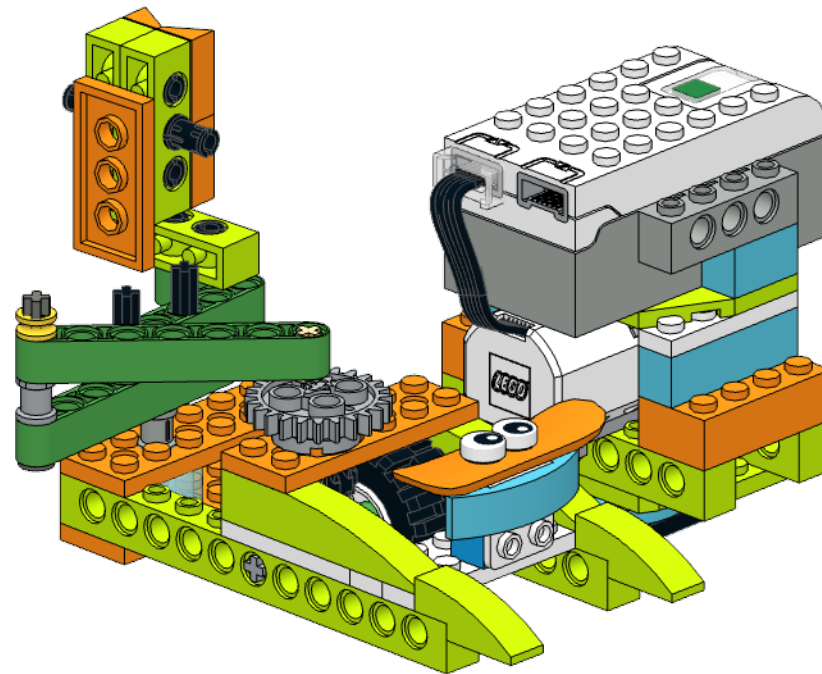


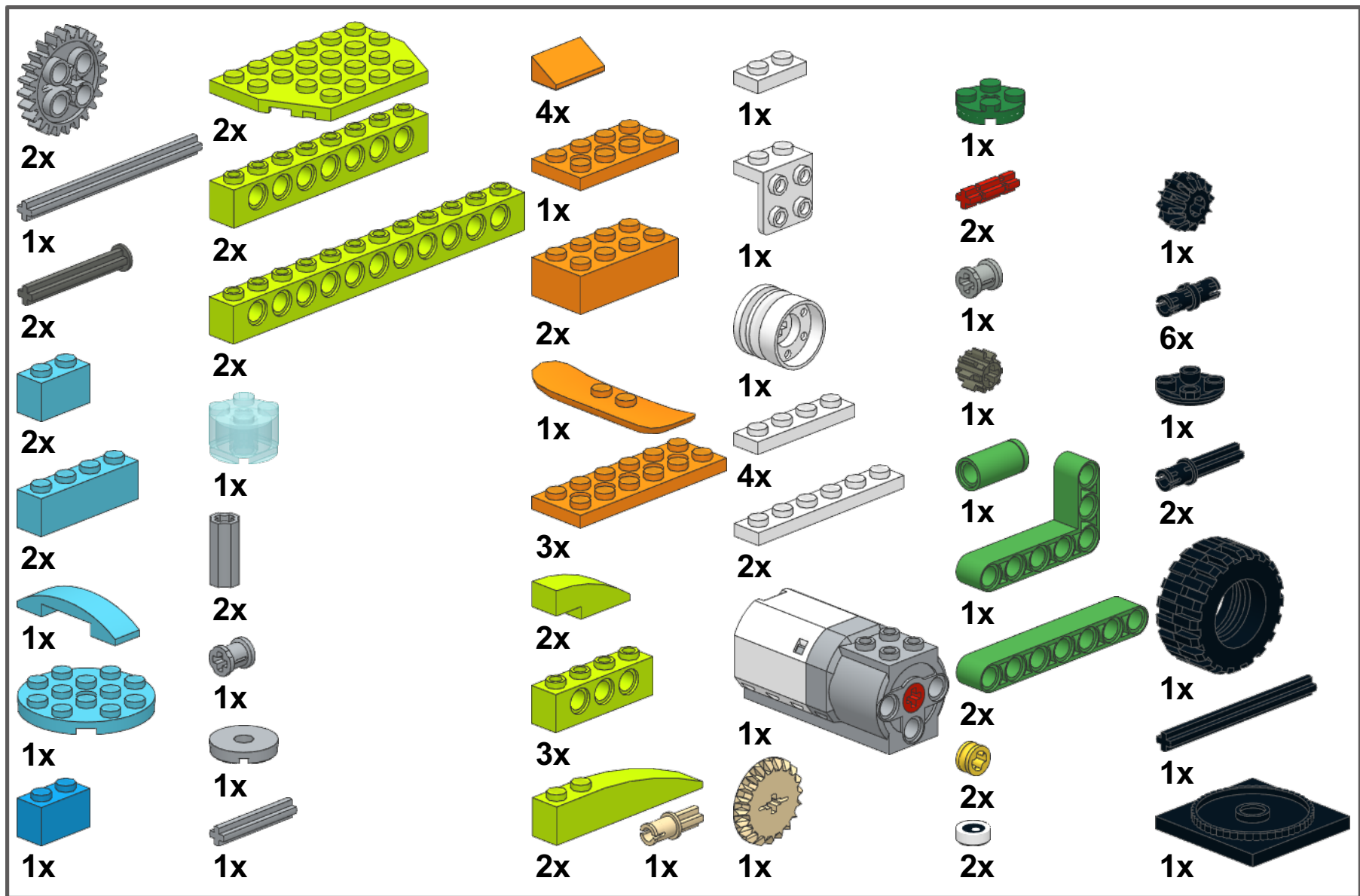
# 21





# 22





WeDo Spirograph

Model instructions by 邢伟

QQ:313969533

LEGO® is a registered trademark of the LEGO Group, which does not sponsor, endorse, or authorize these instructions or the model they depict.