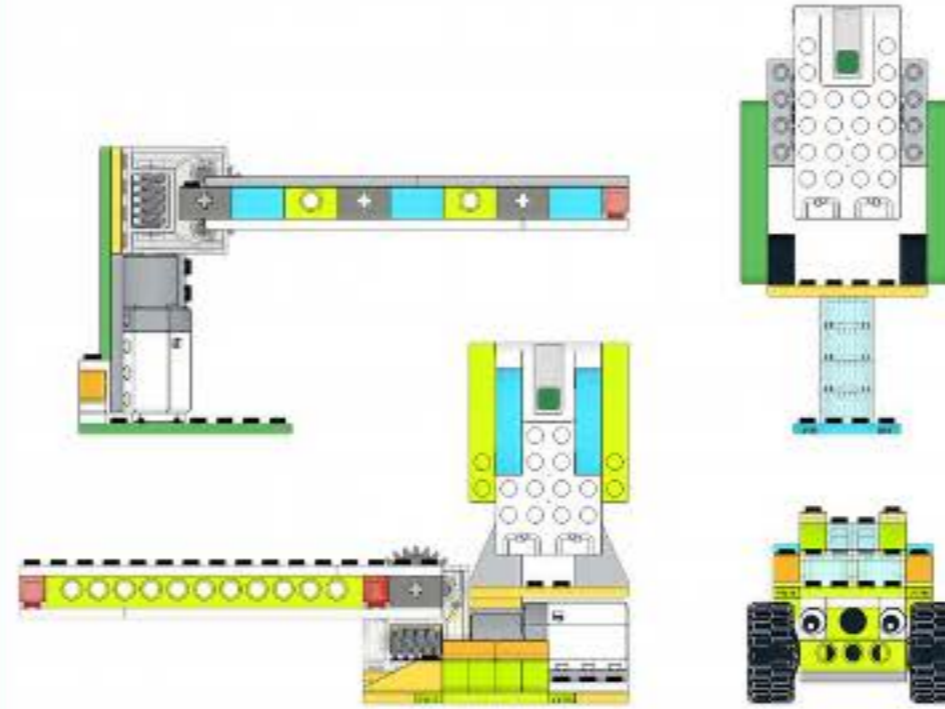


traffic lights and barrier
unofficial building instruction

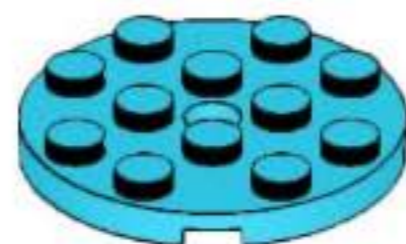
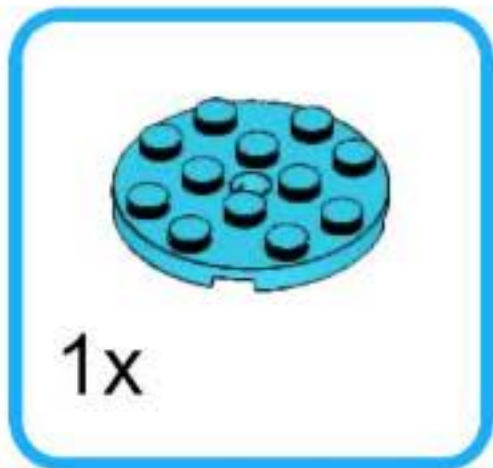


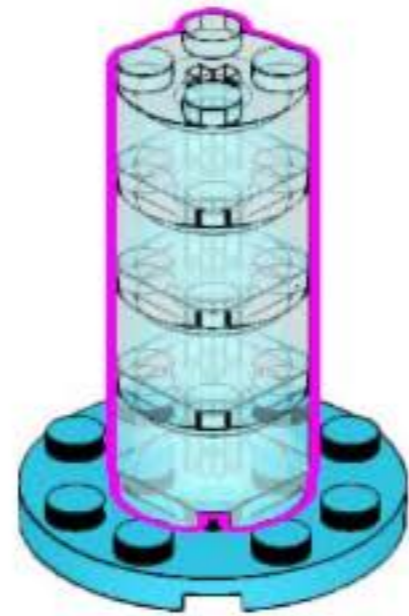
Traffic lights and barrier

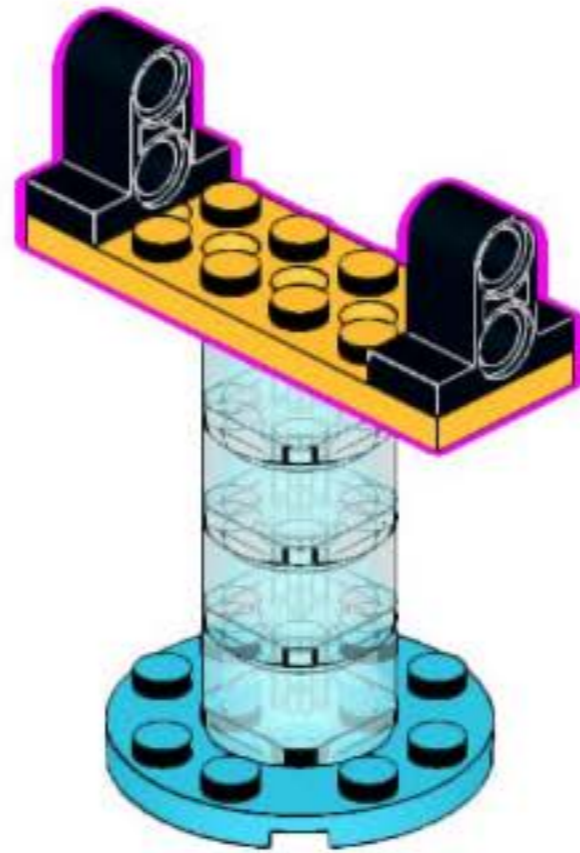
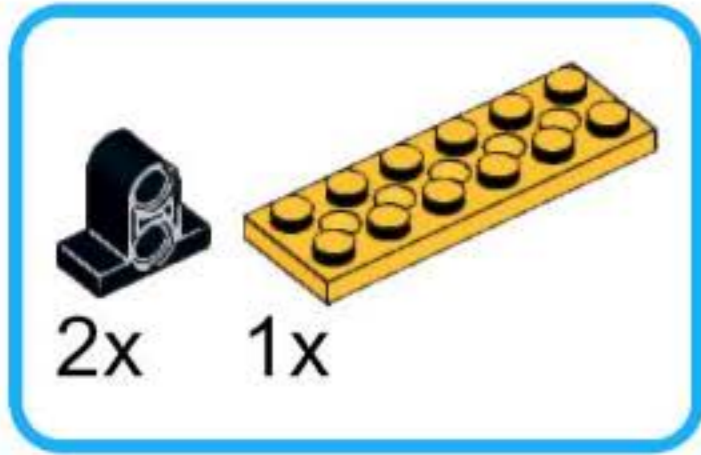
for Lego® WeDo 2.0
45300

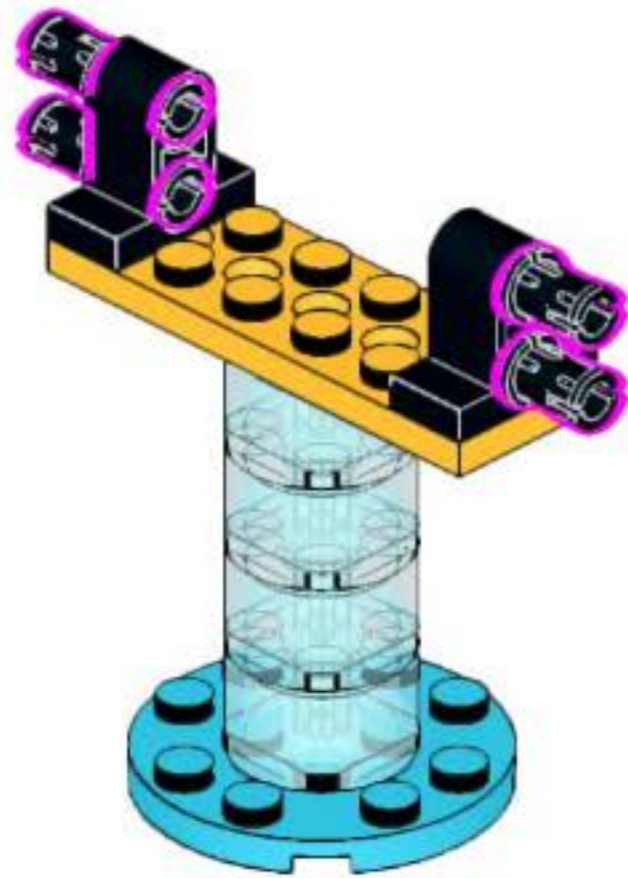
Gergert's lab

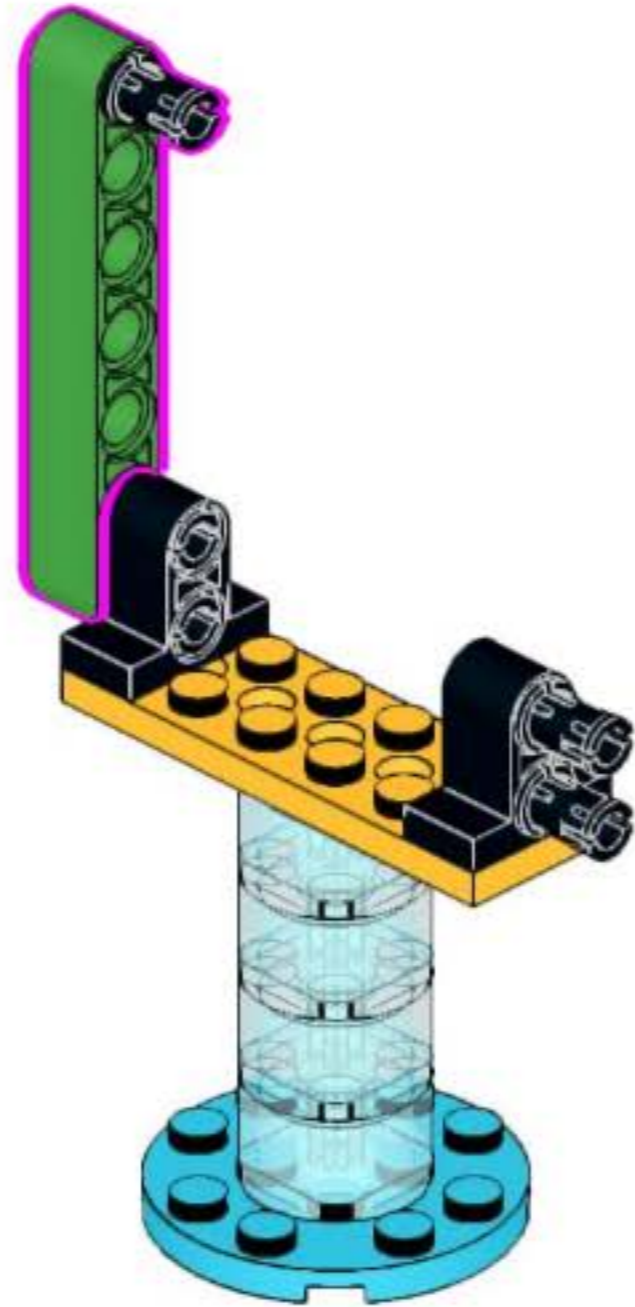
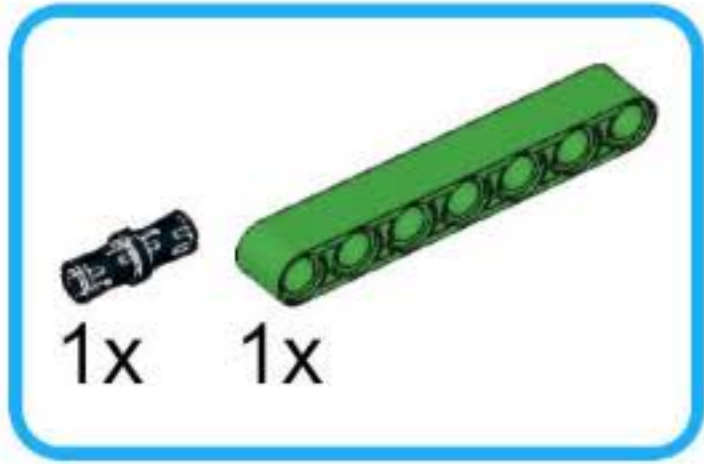
Variant A

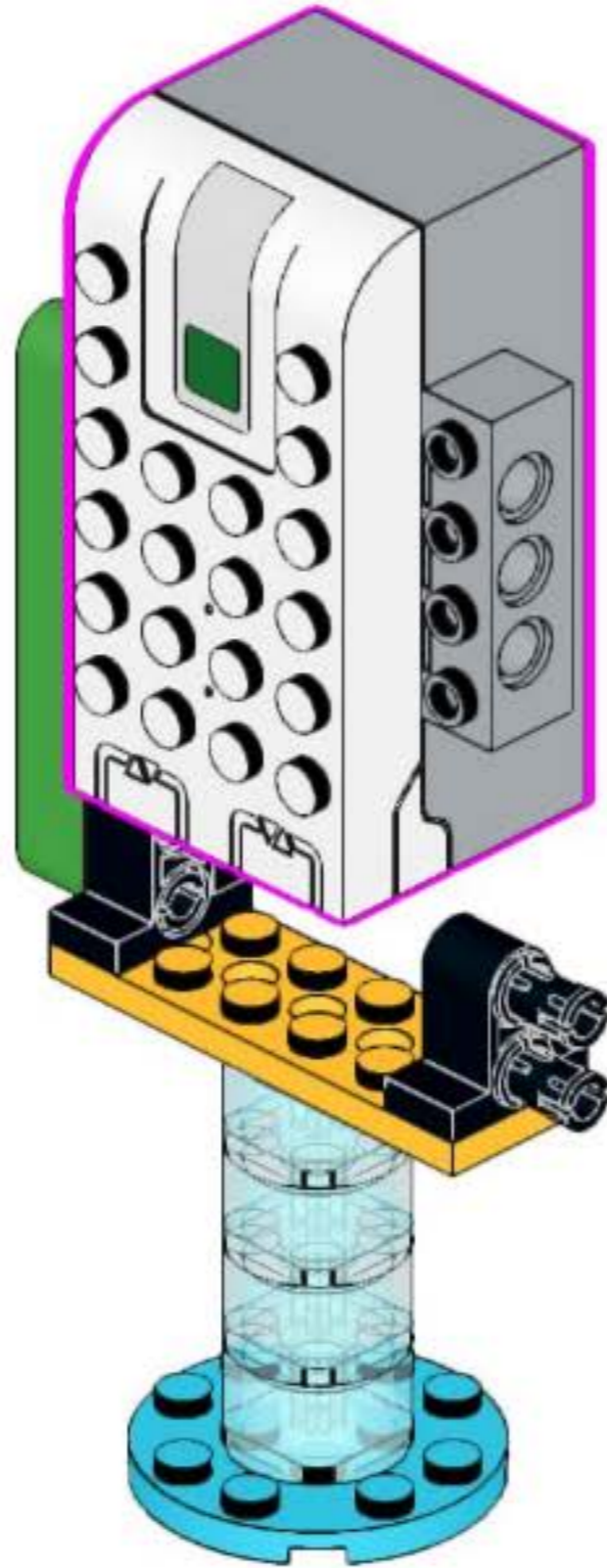
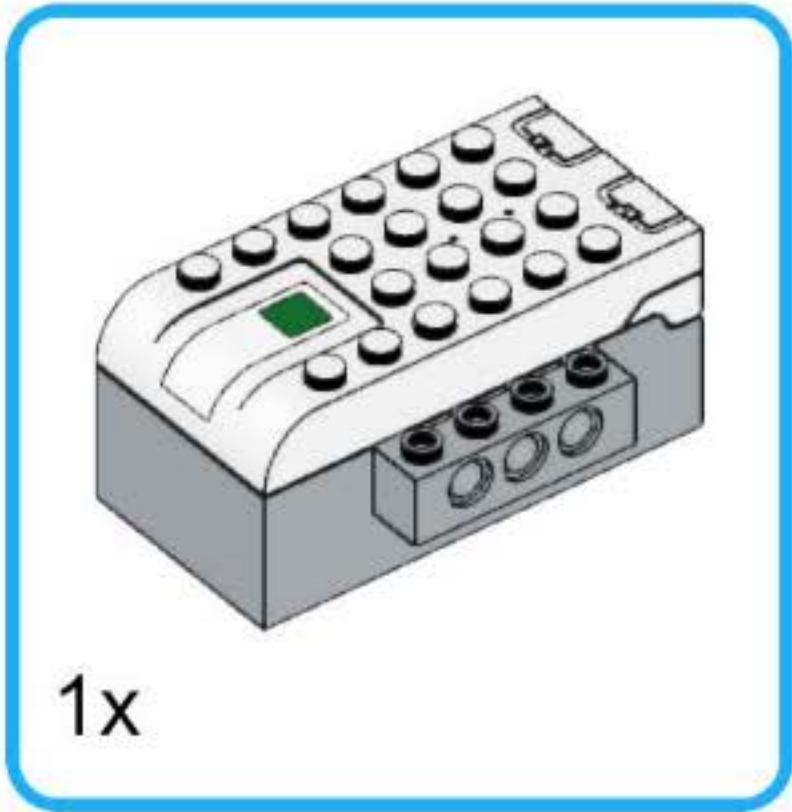


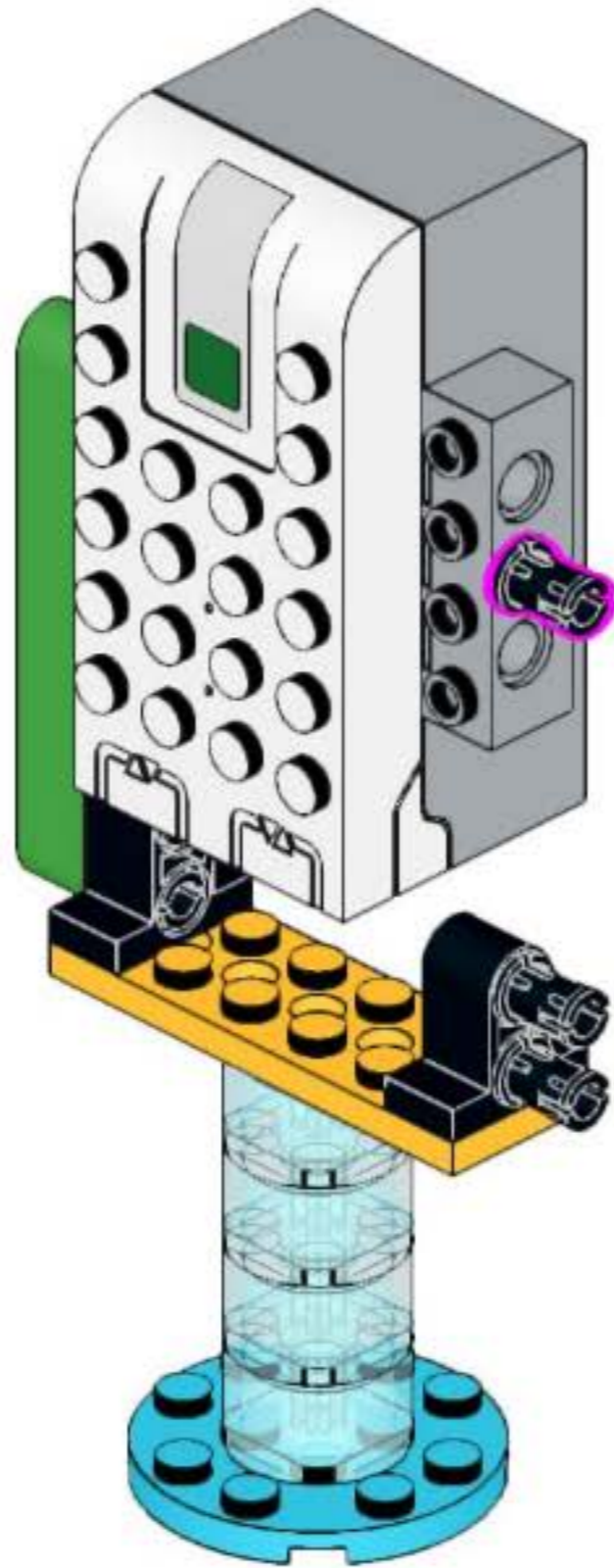


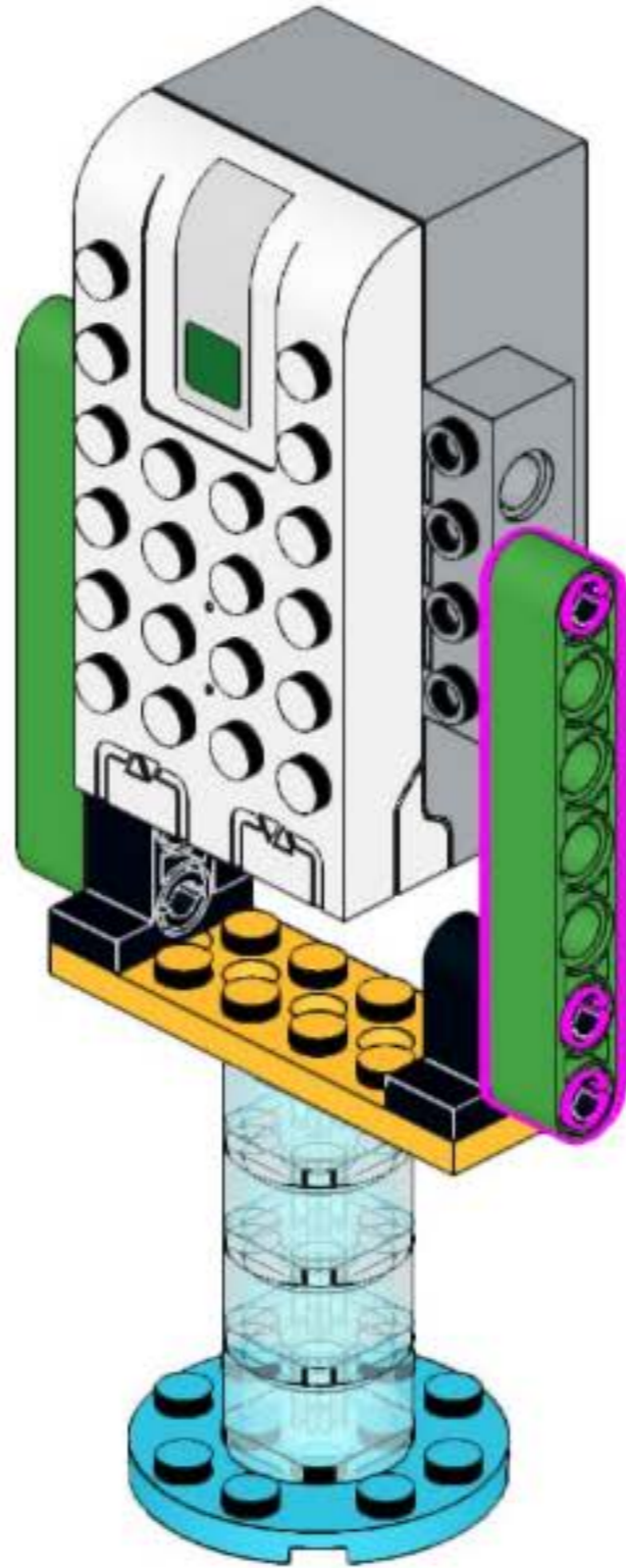
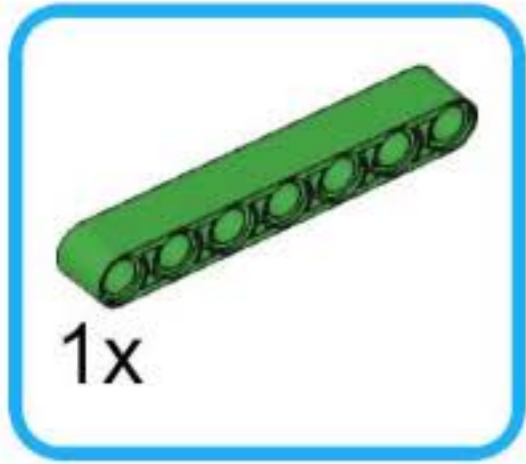


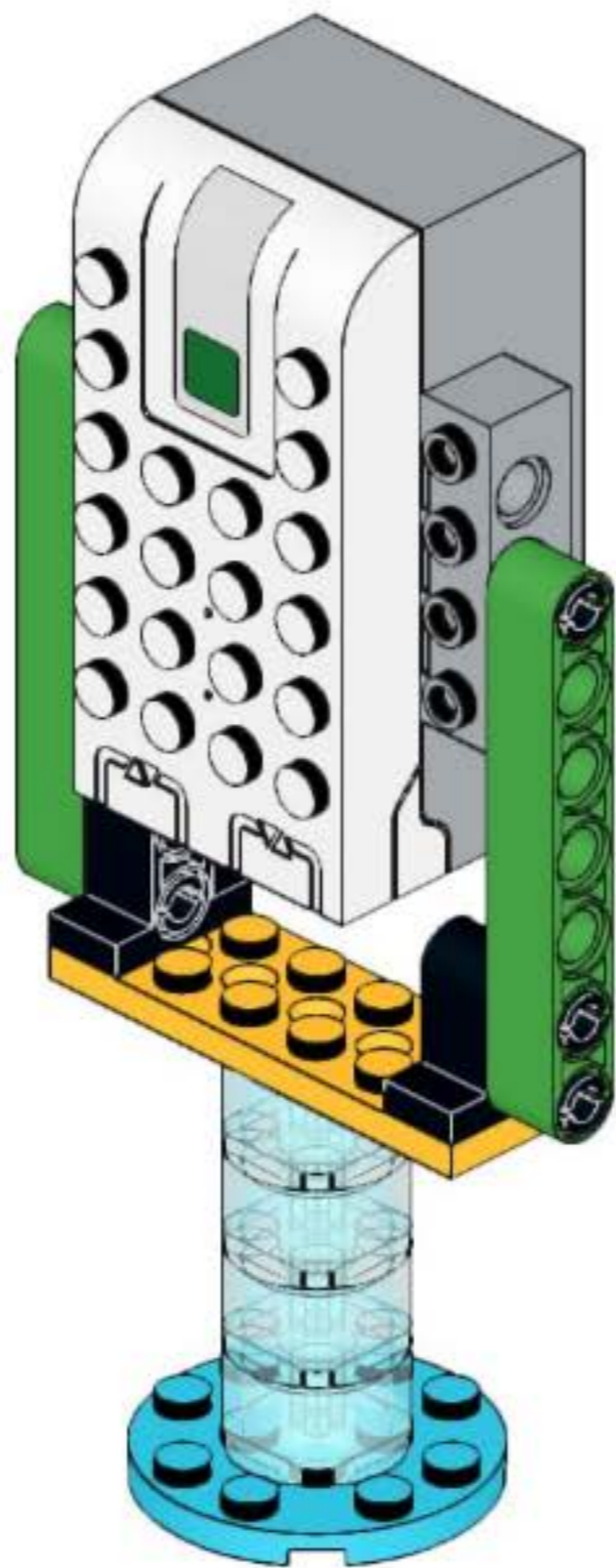


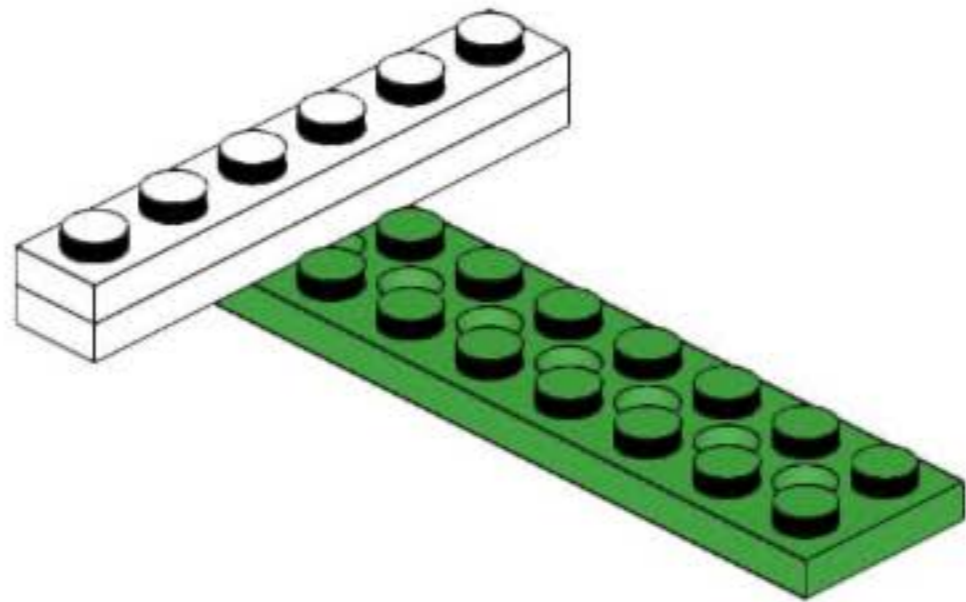
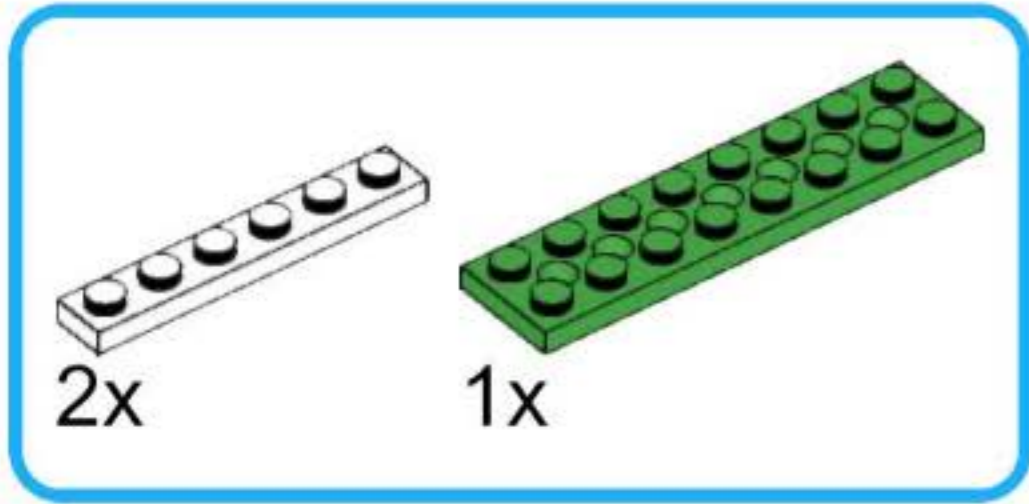


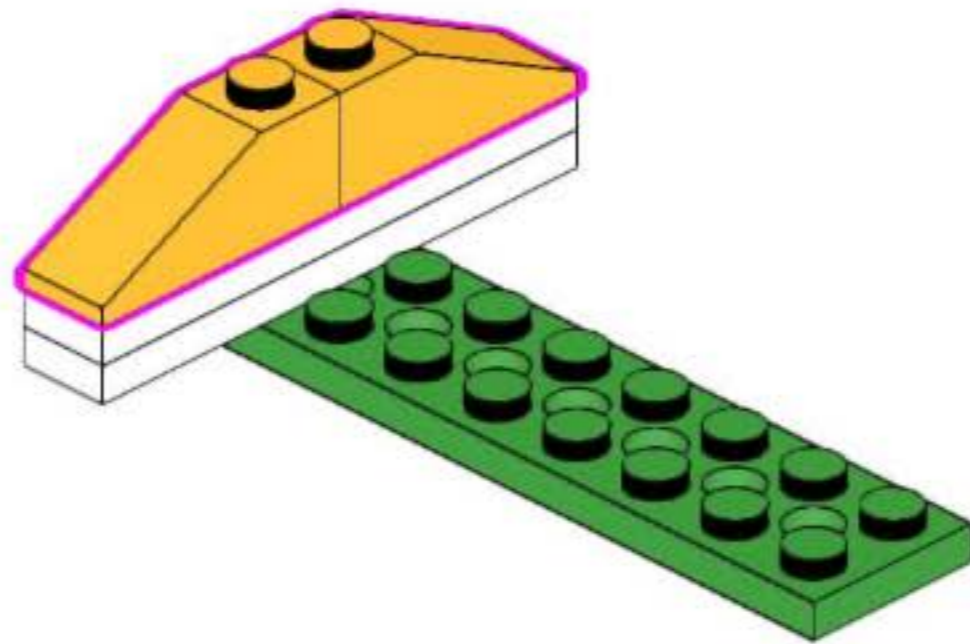
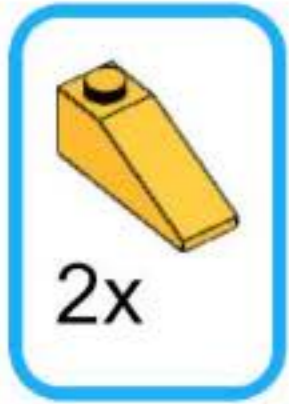


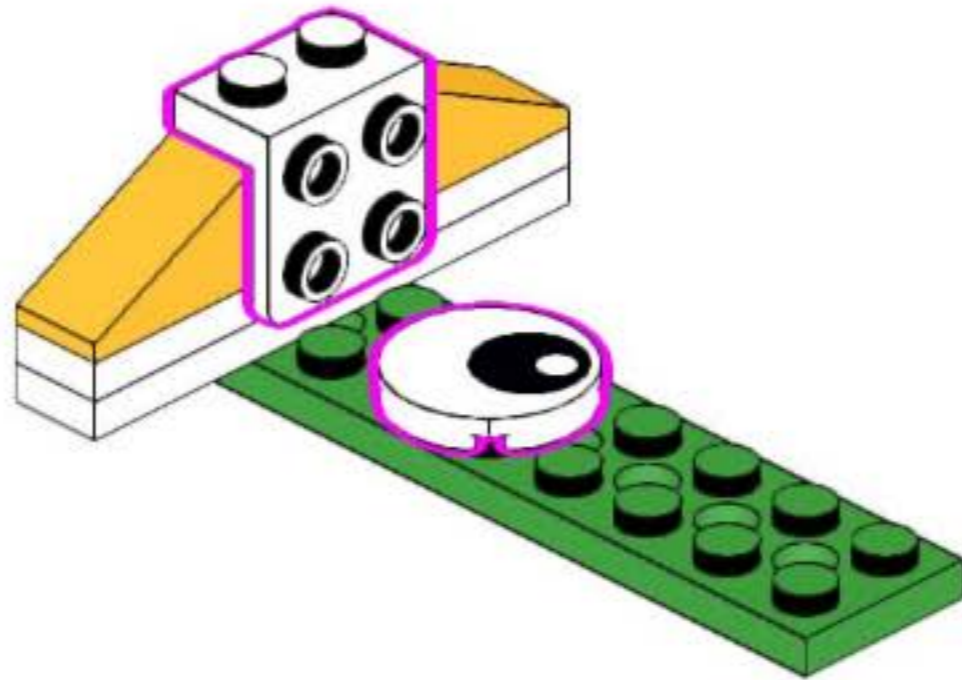
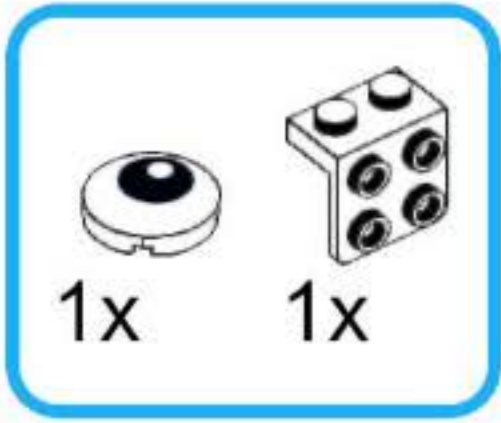


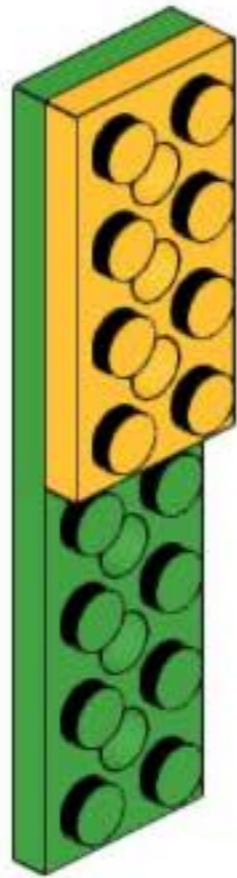
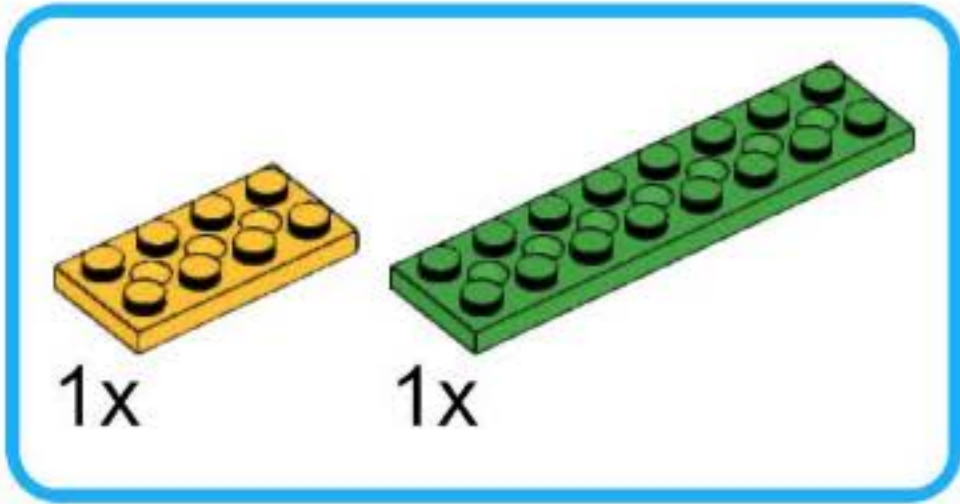


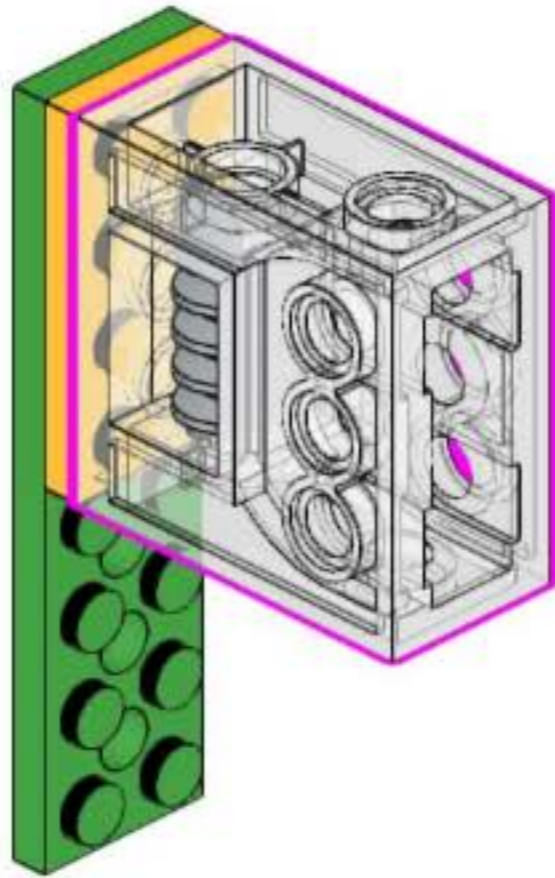
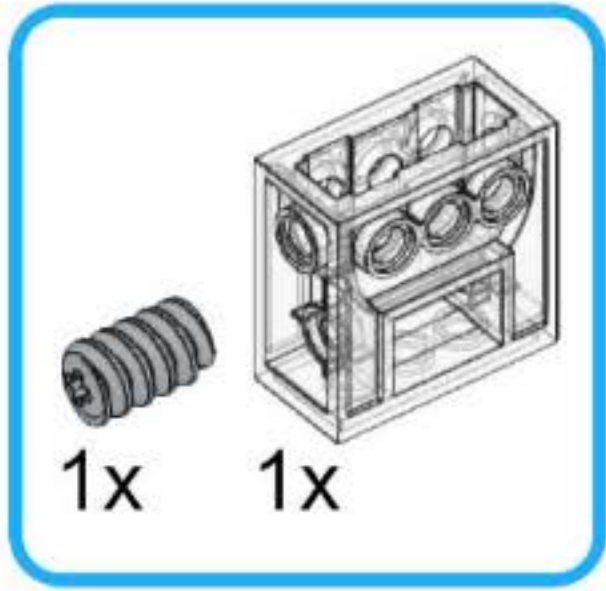


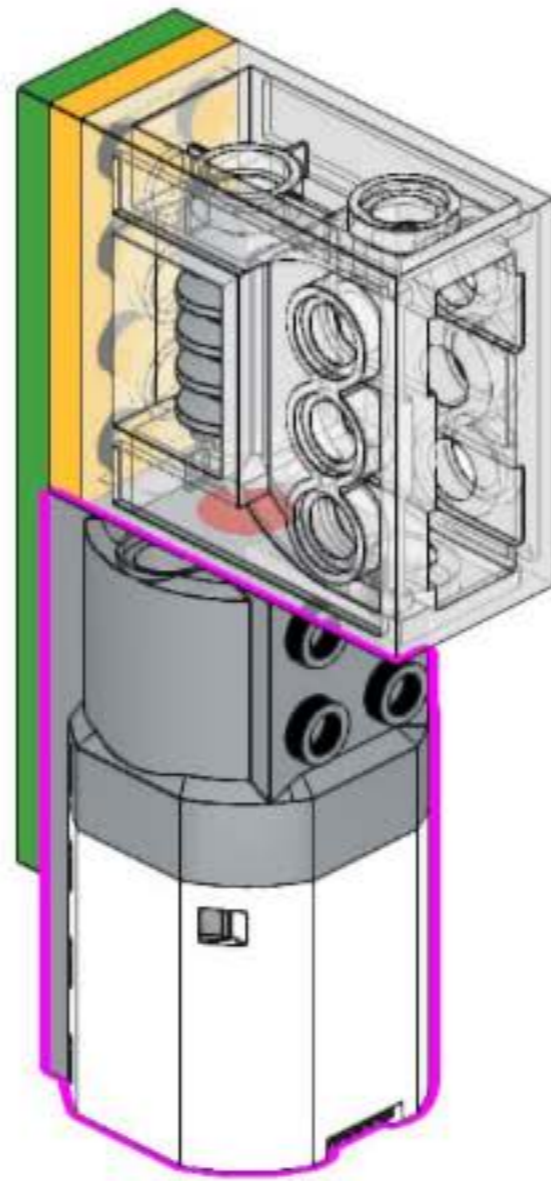
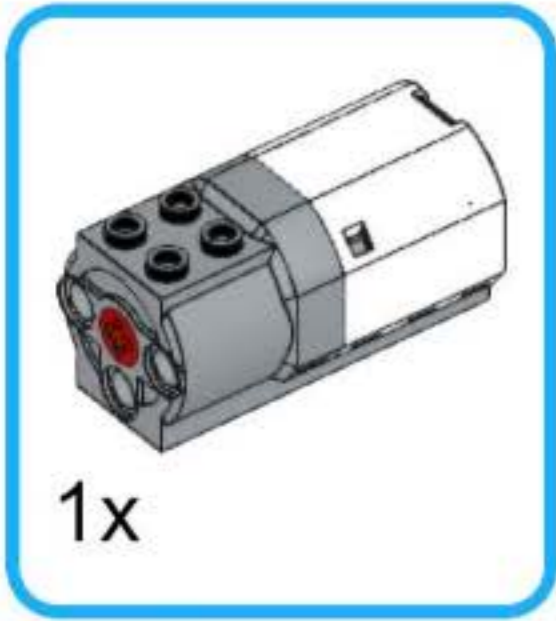


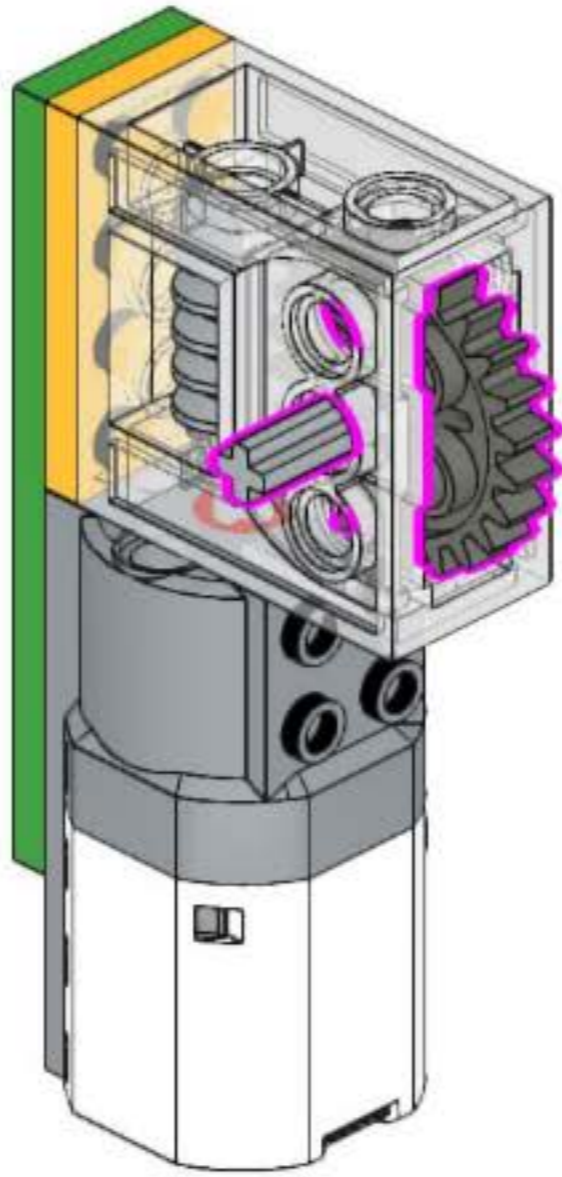
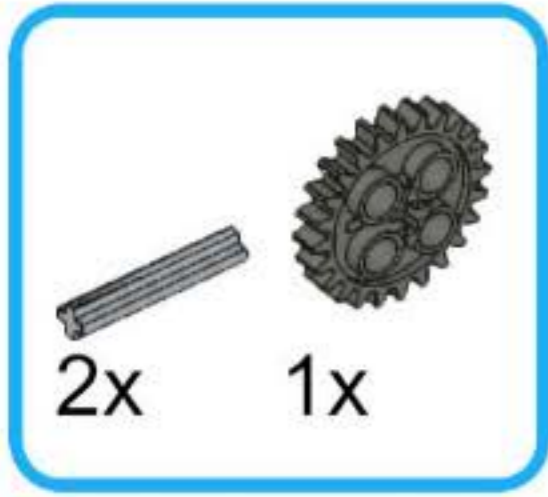


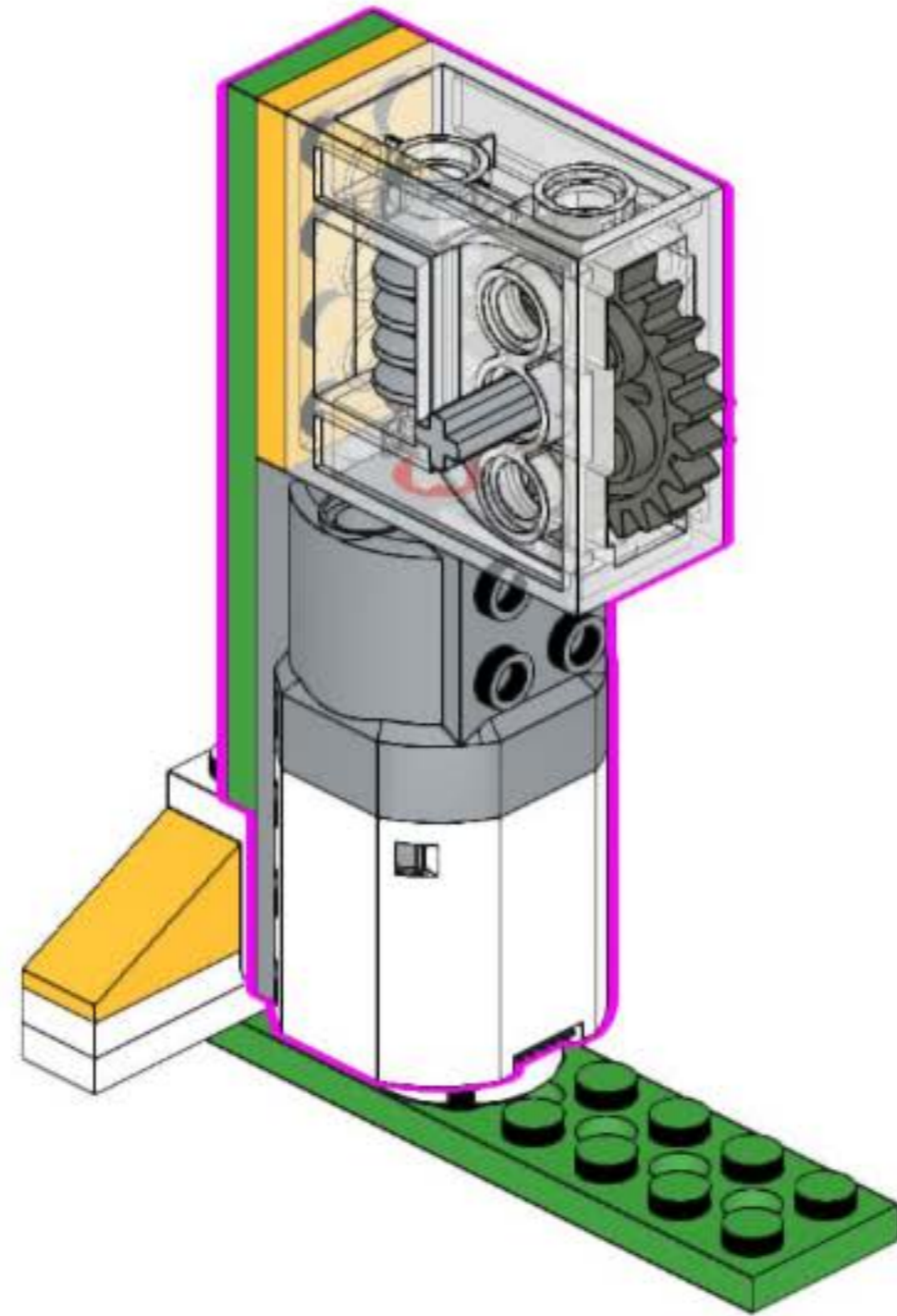


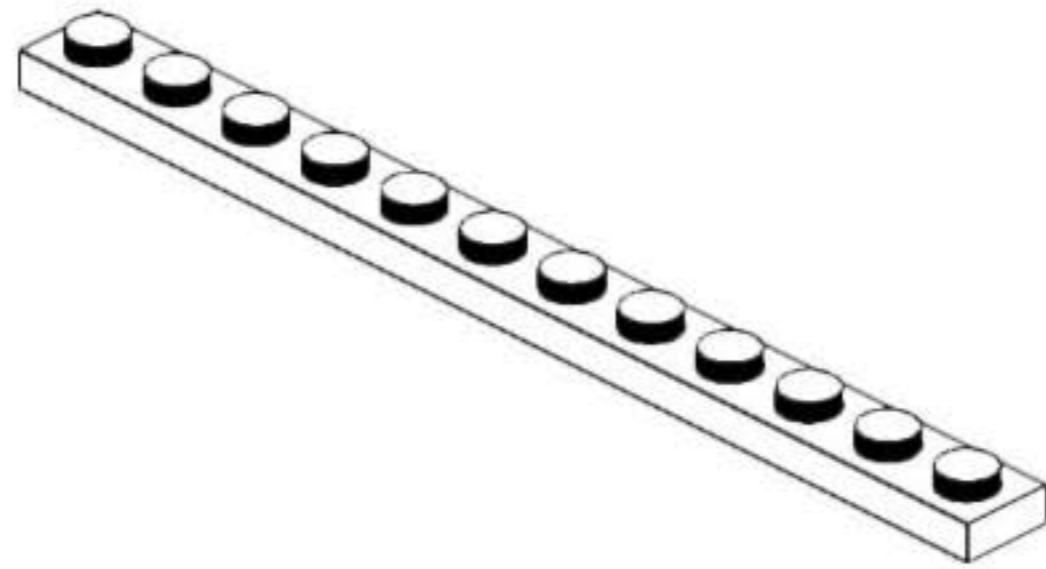
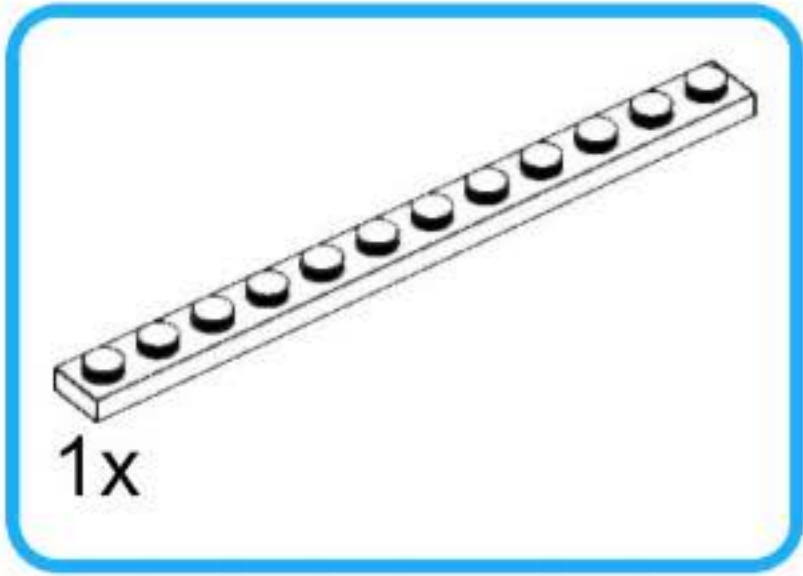


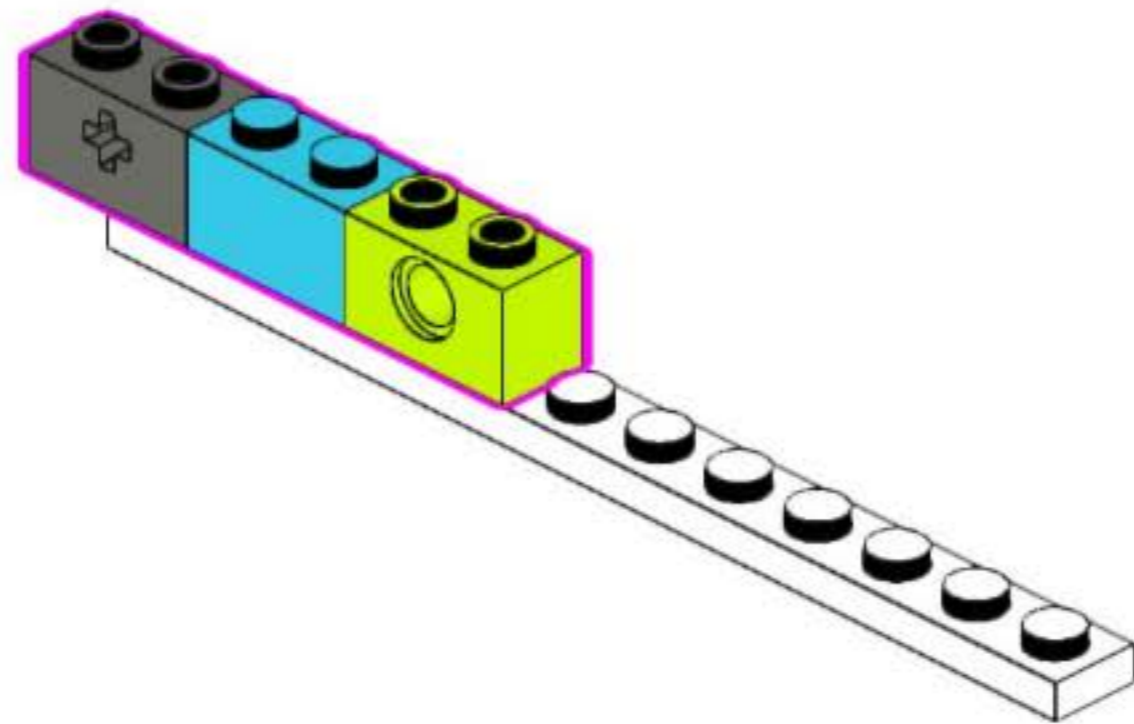
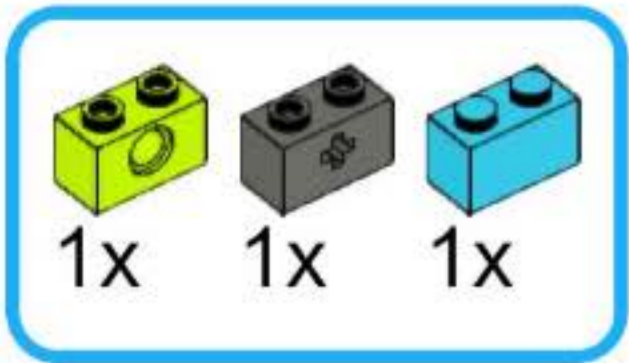


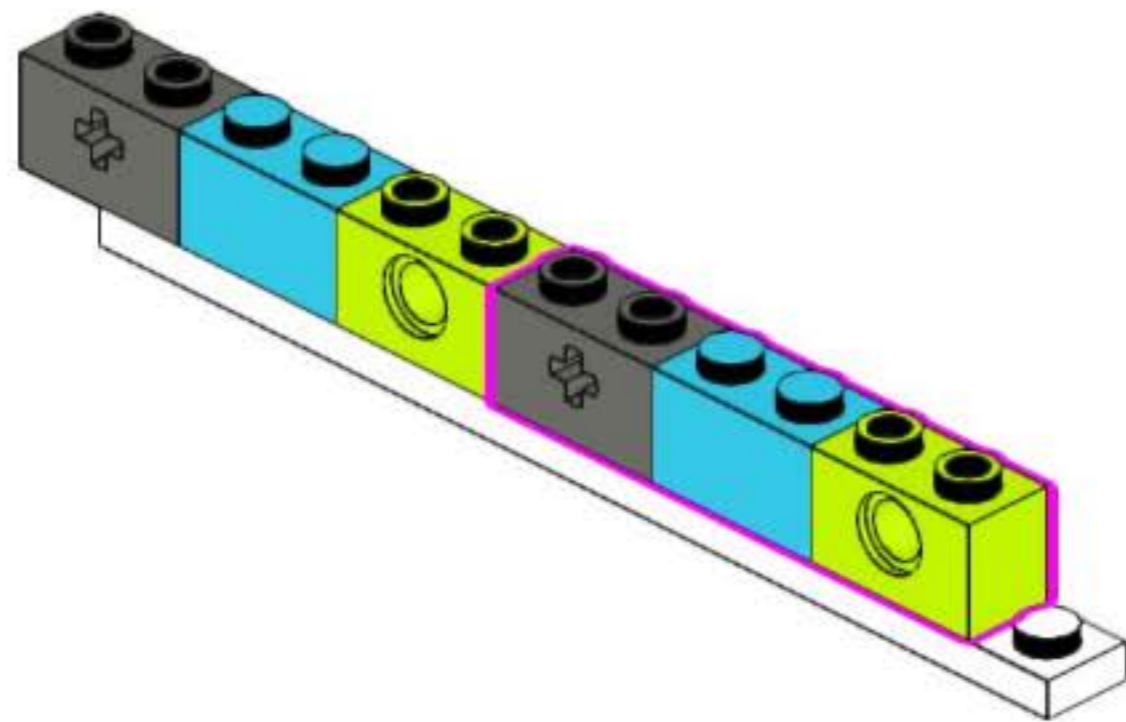
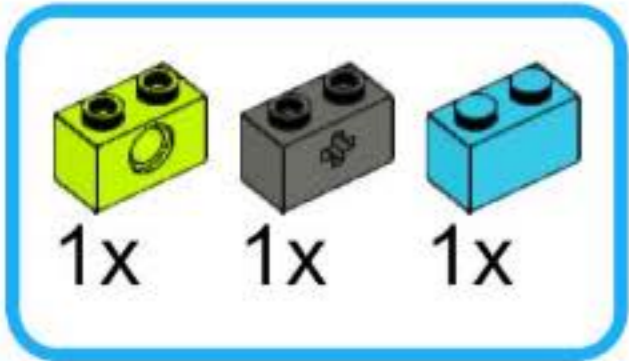


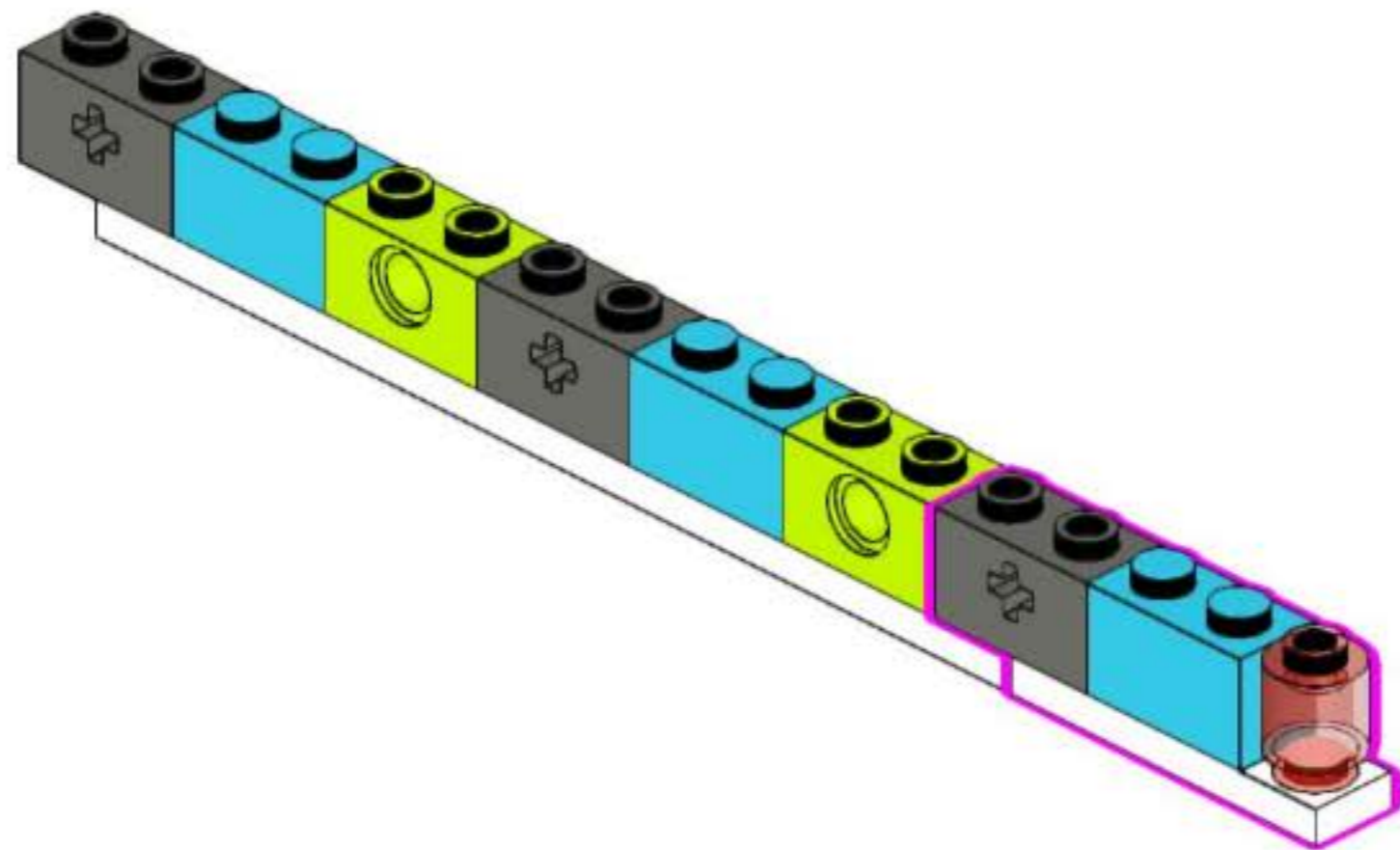
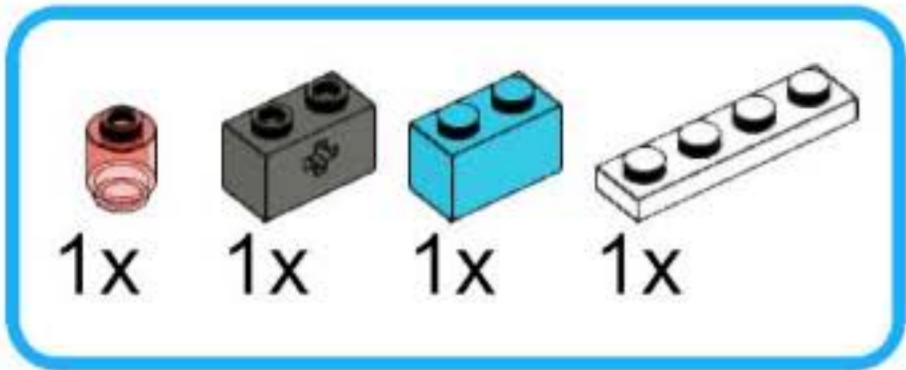


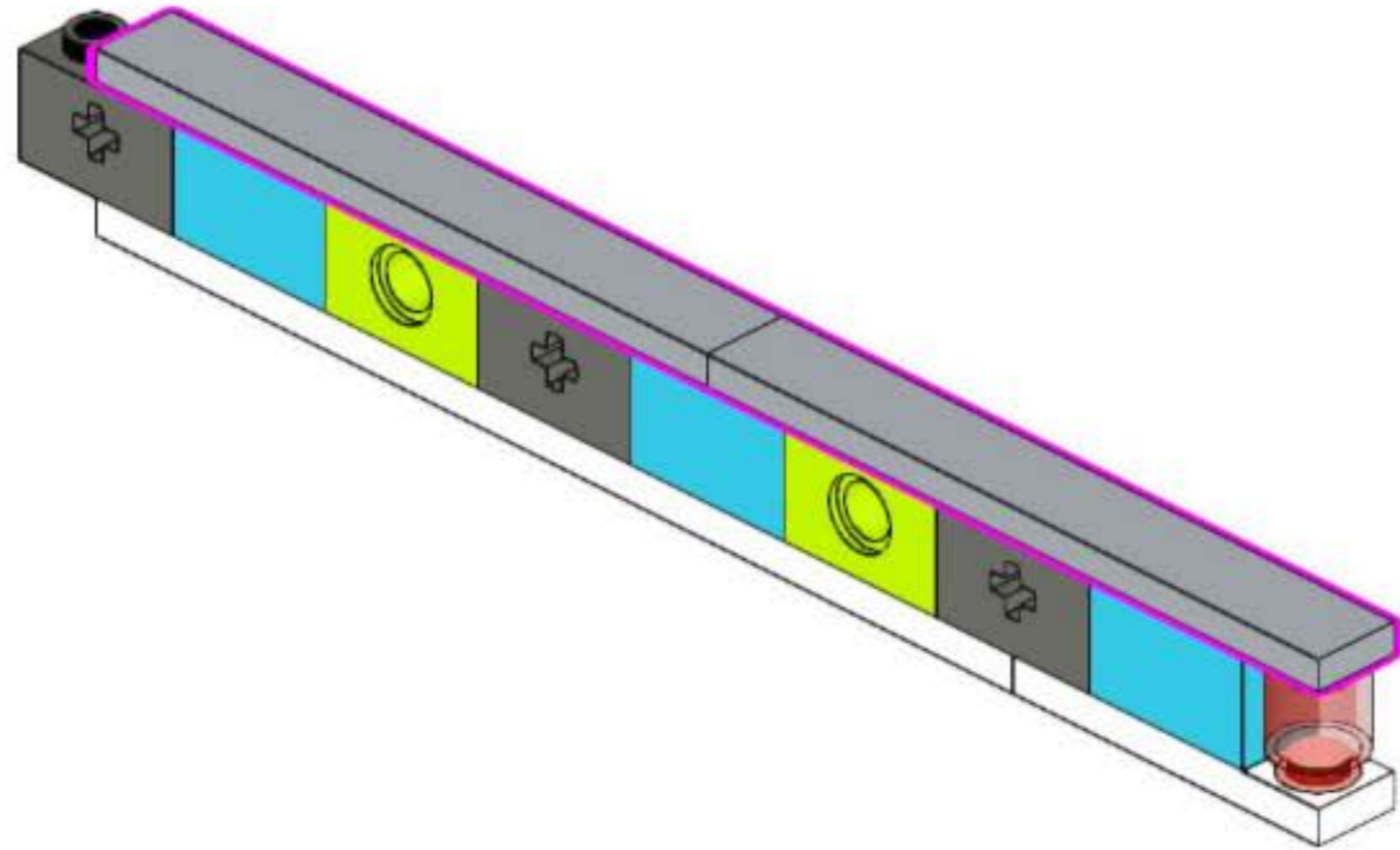
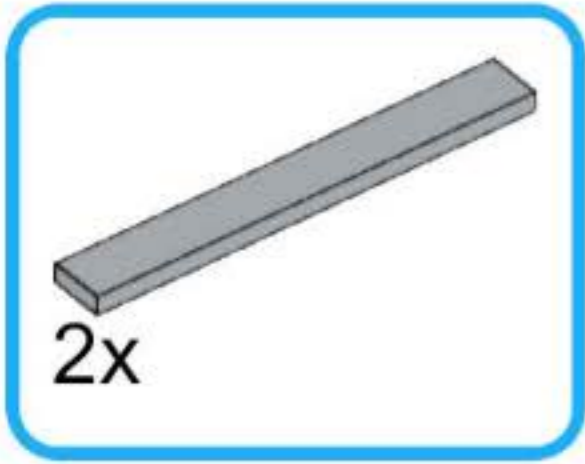


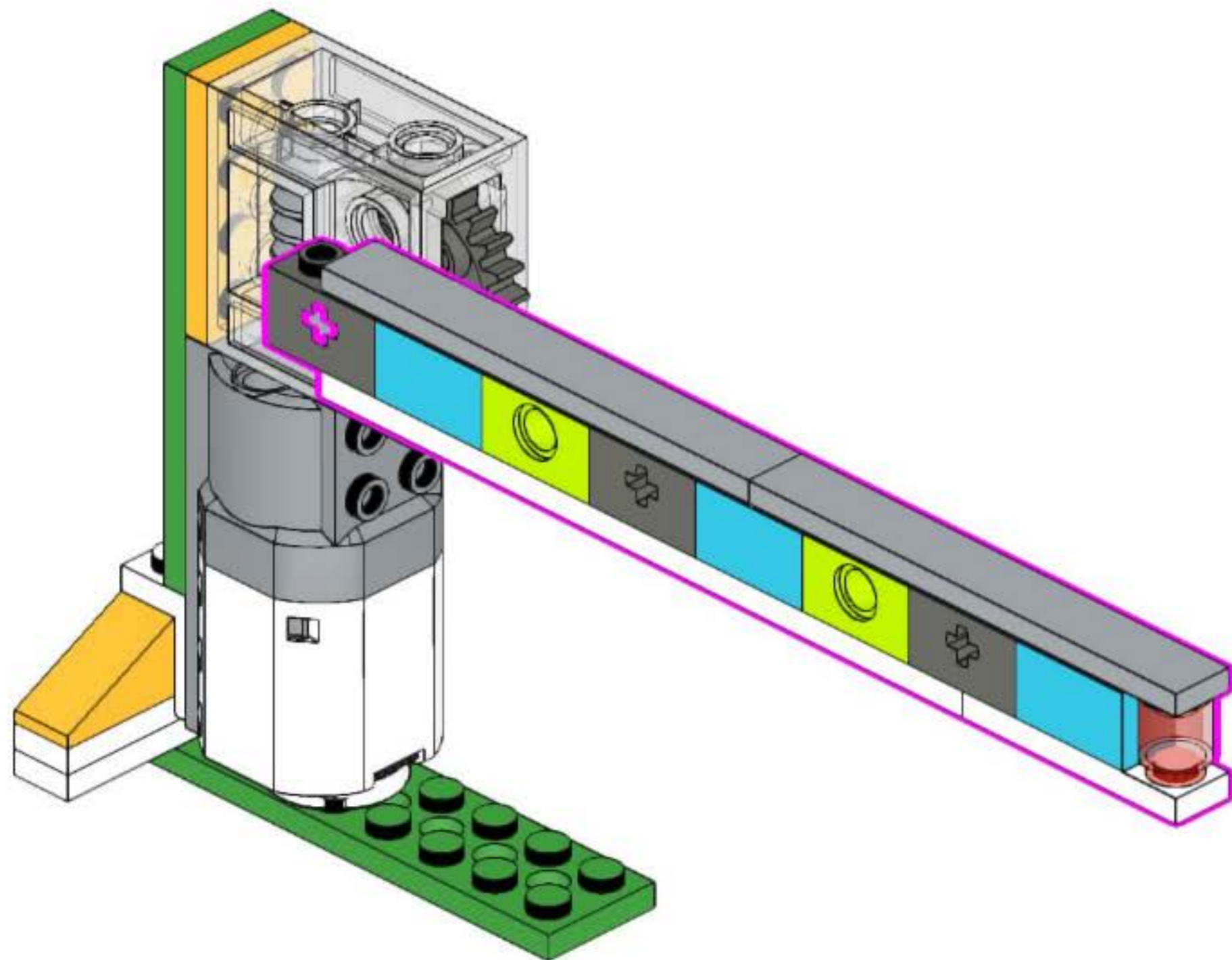


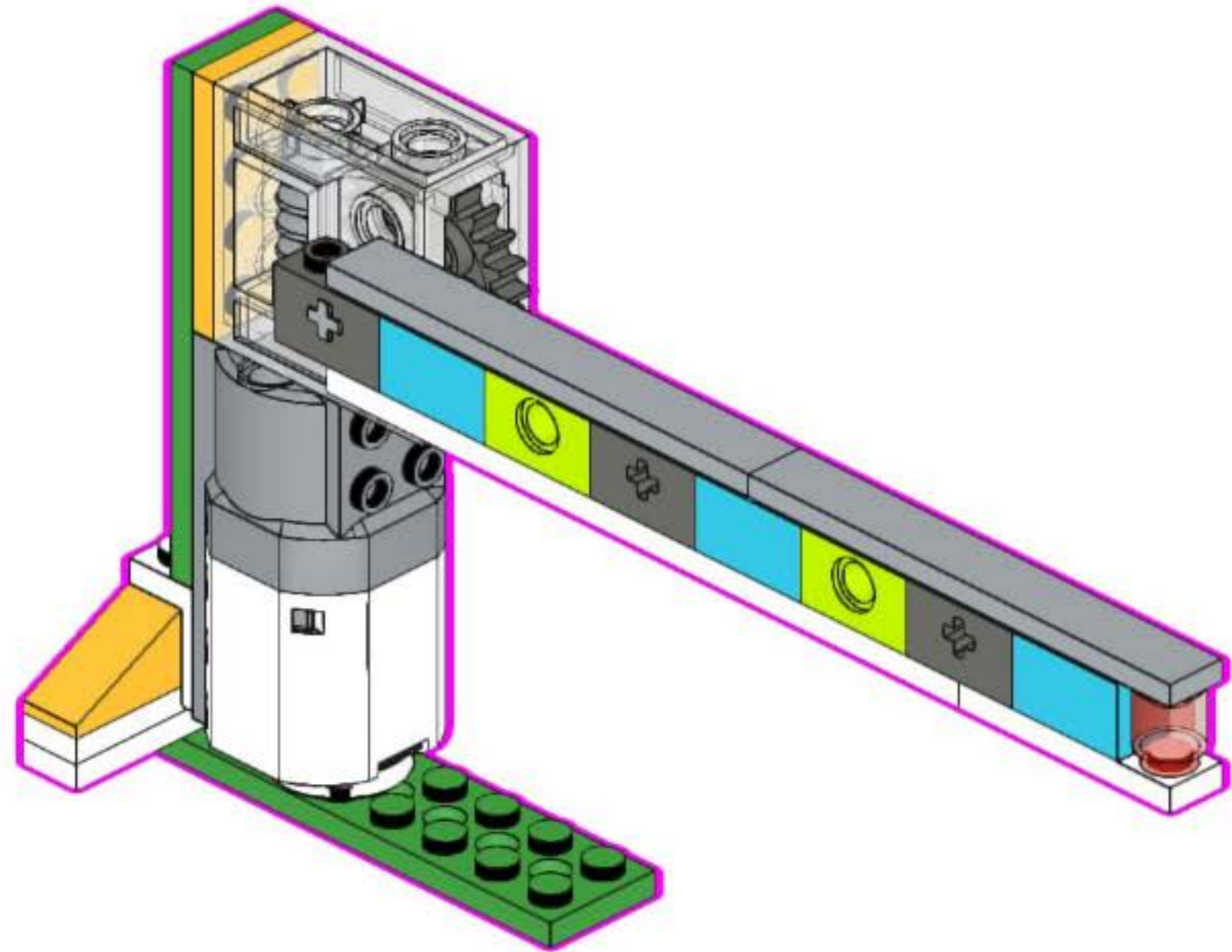


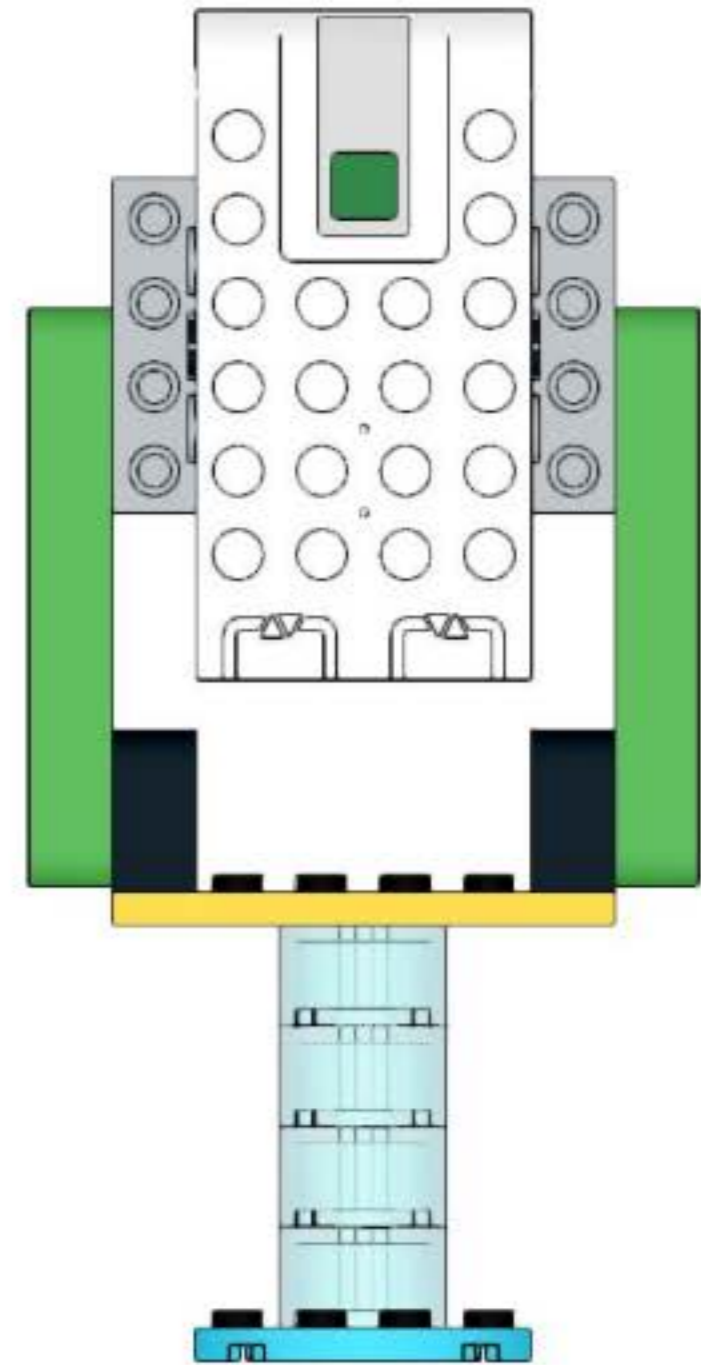
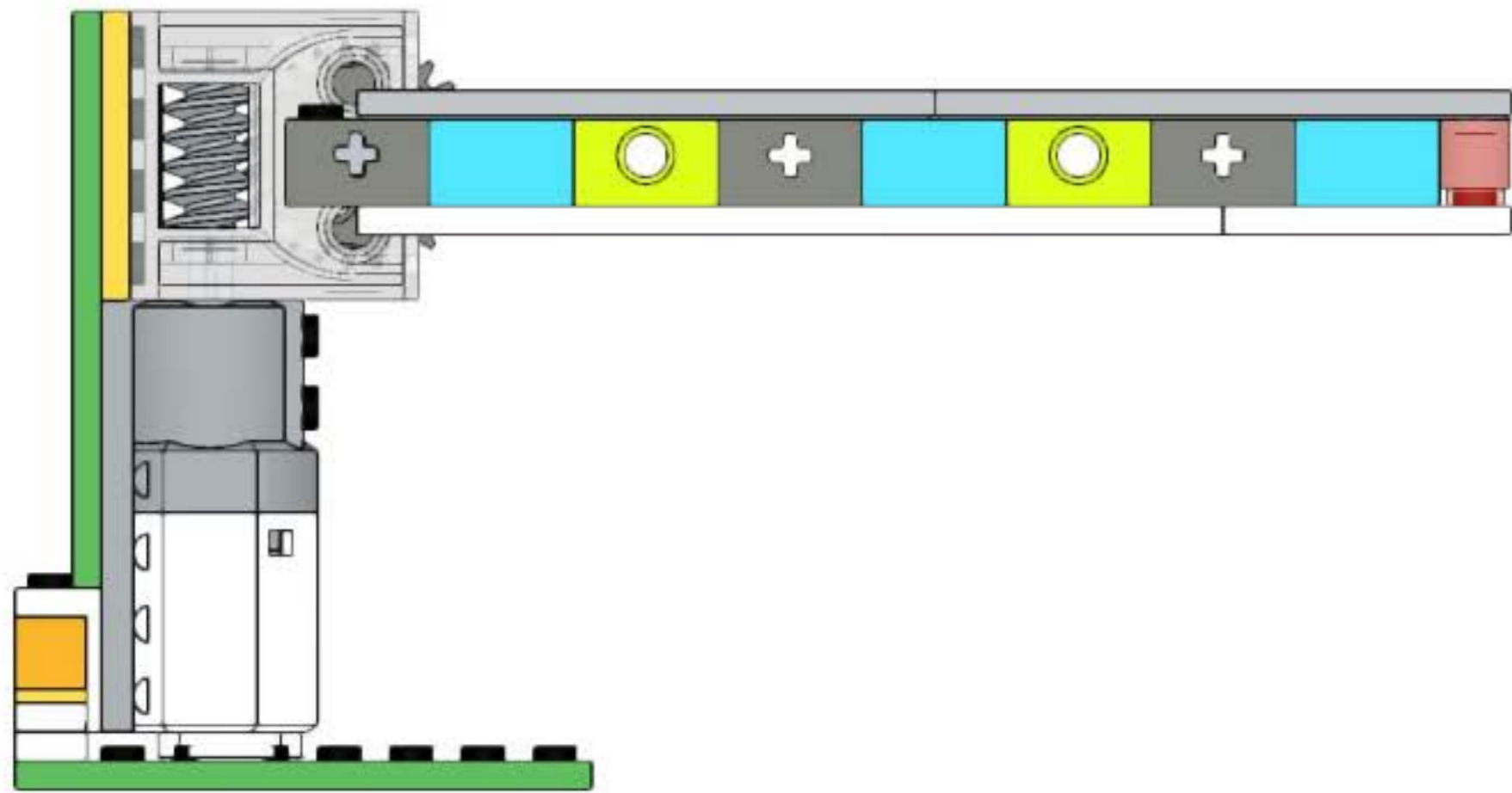










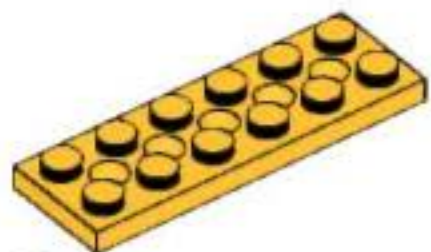


Task 1

We need to make sure that the traffic light turns yellow for 2 seconds, so that the cars have time to pass. Then the barrier was lowered and the red light turned on for 5 seconds. Only after that, the green light should light up and the barrier should rise.



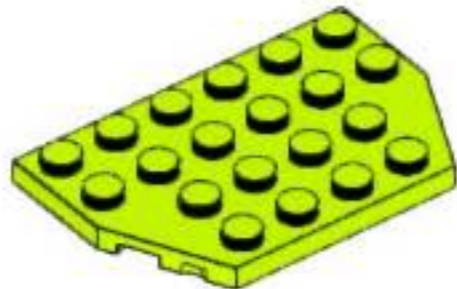
Variant B



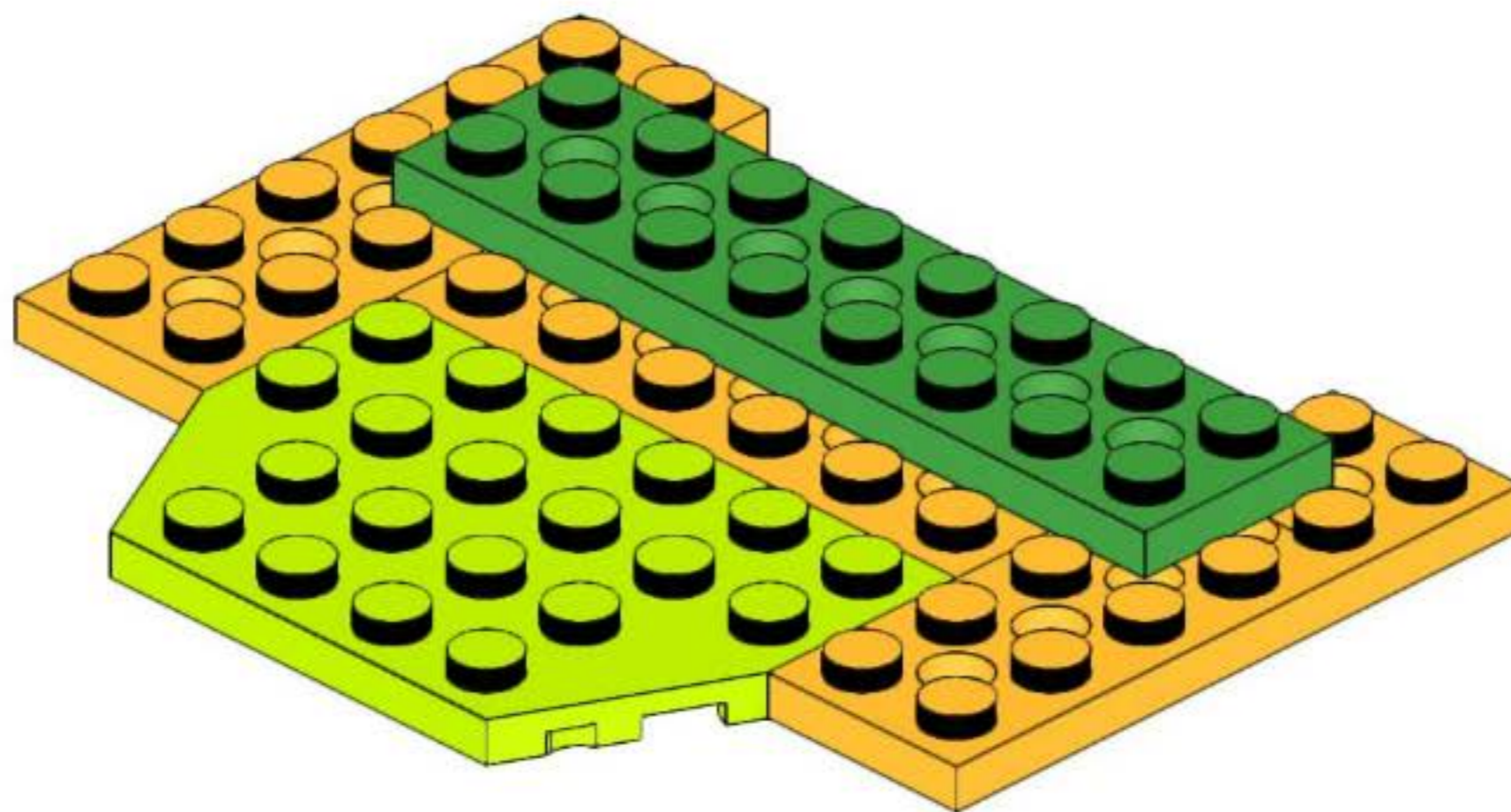
3x

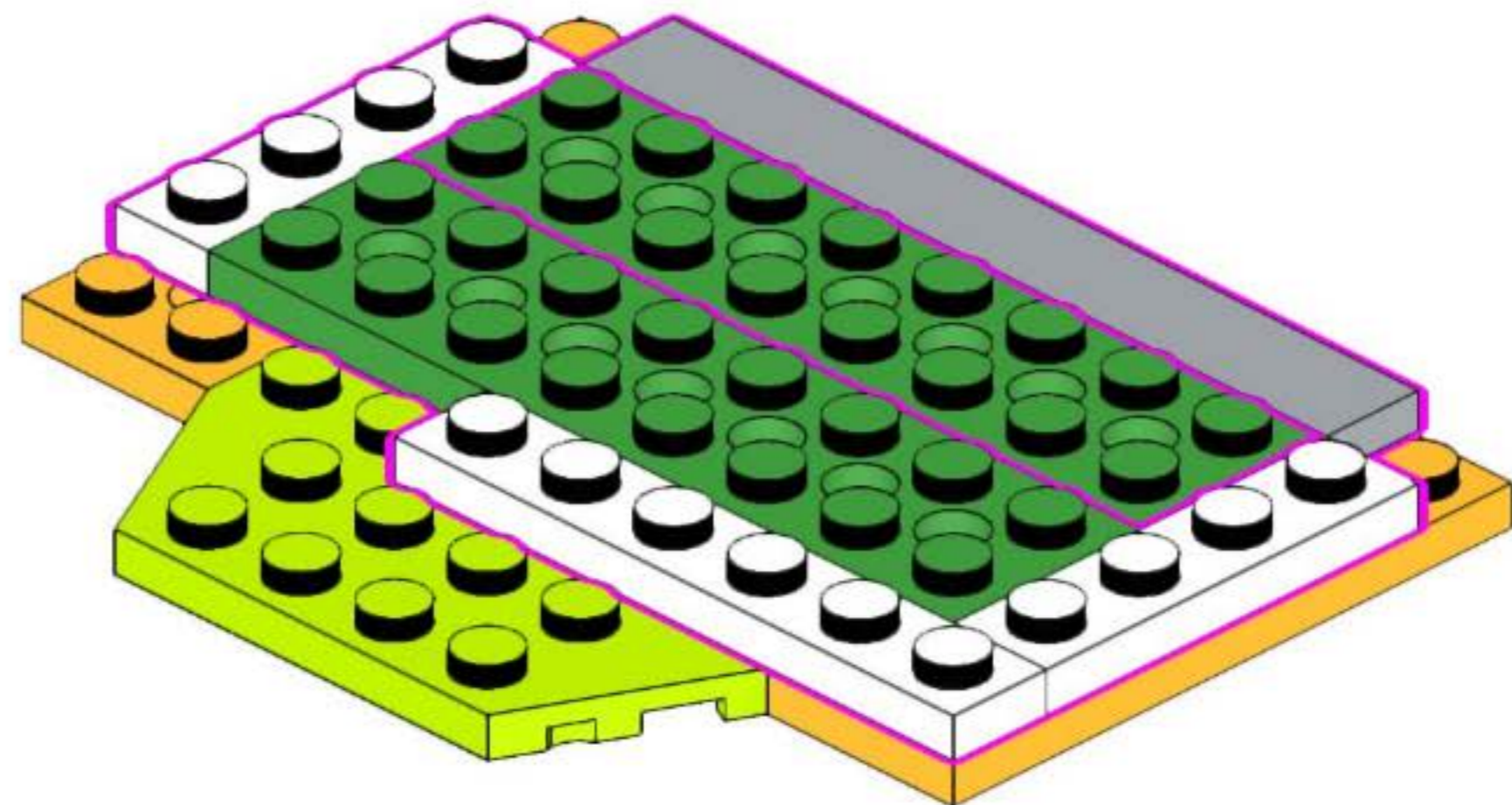
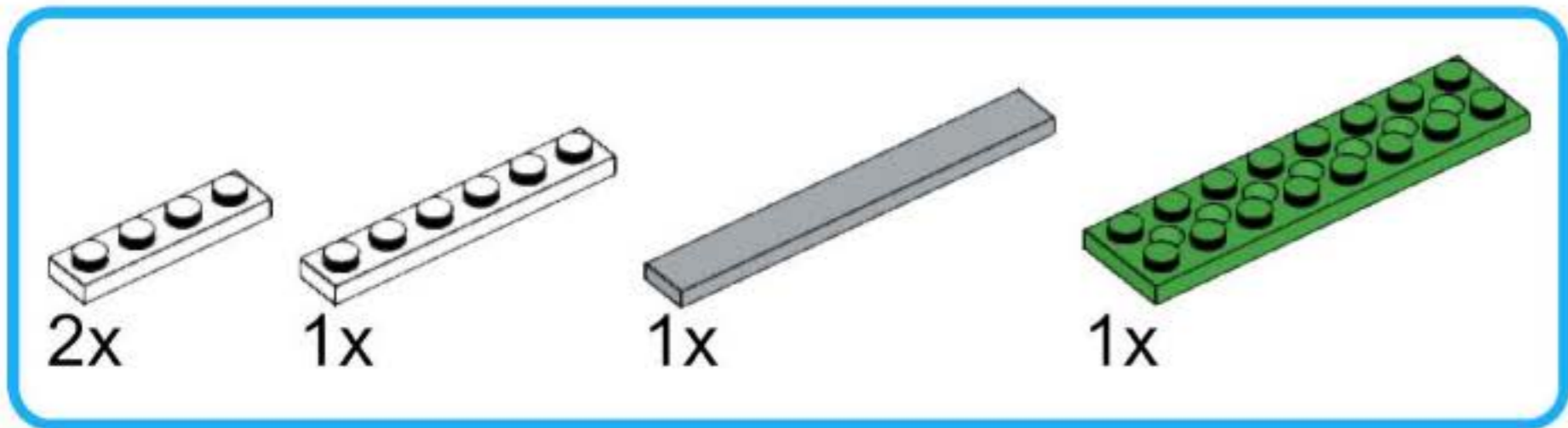


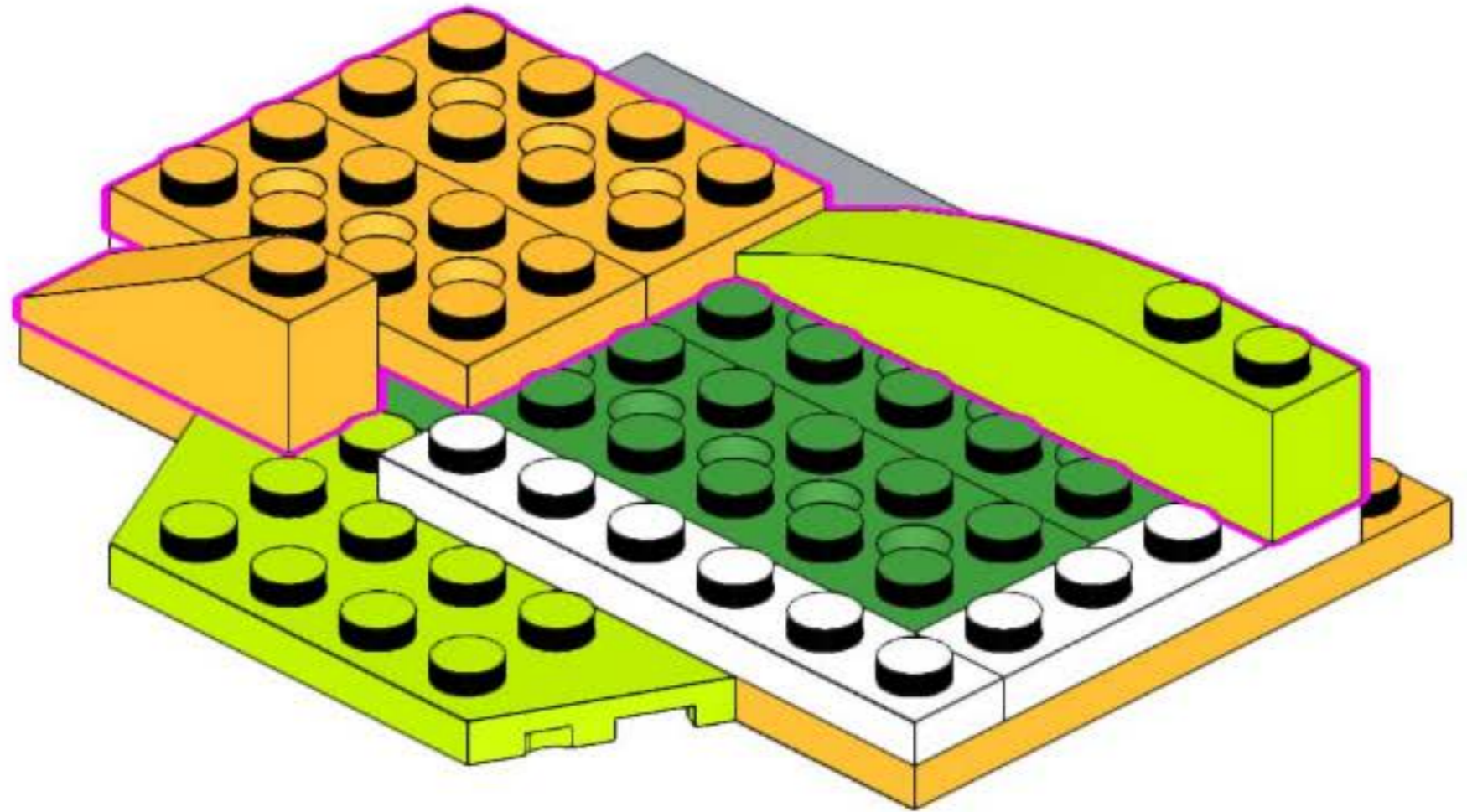
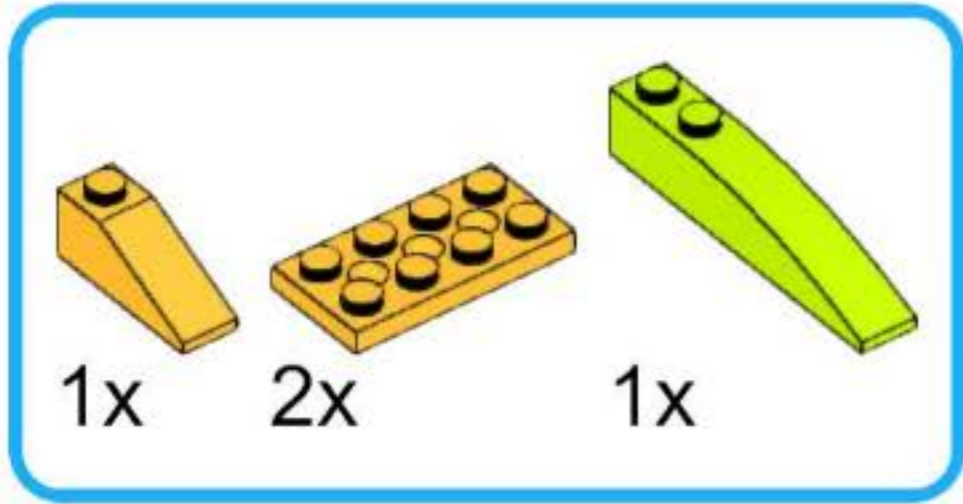
1x

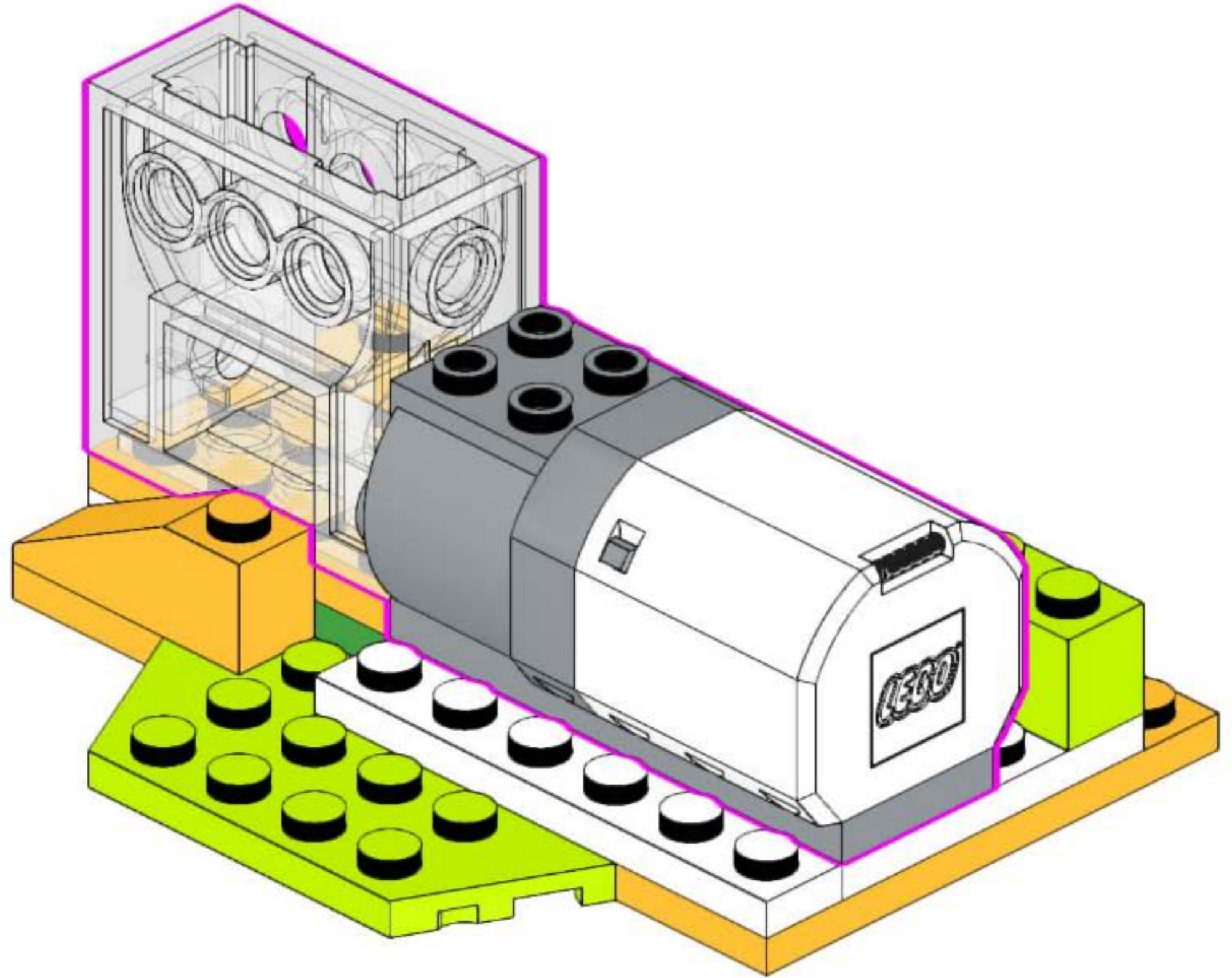
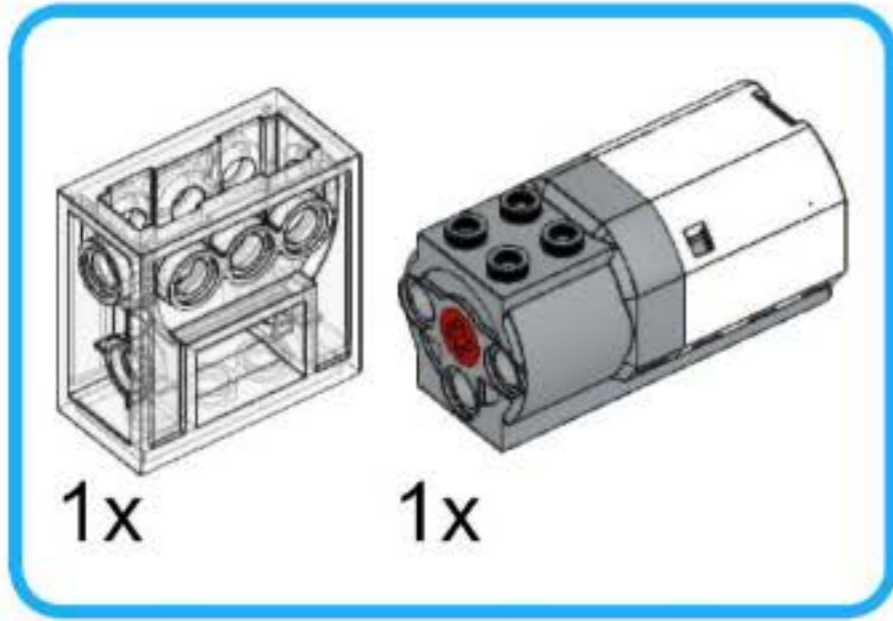


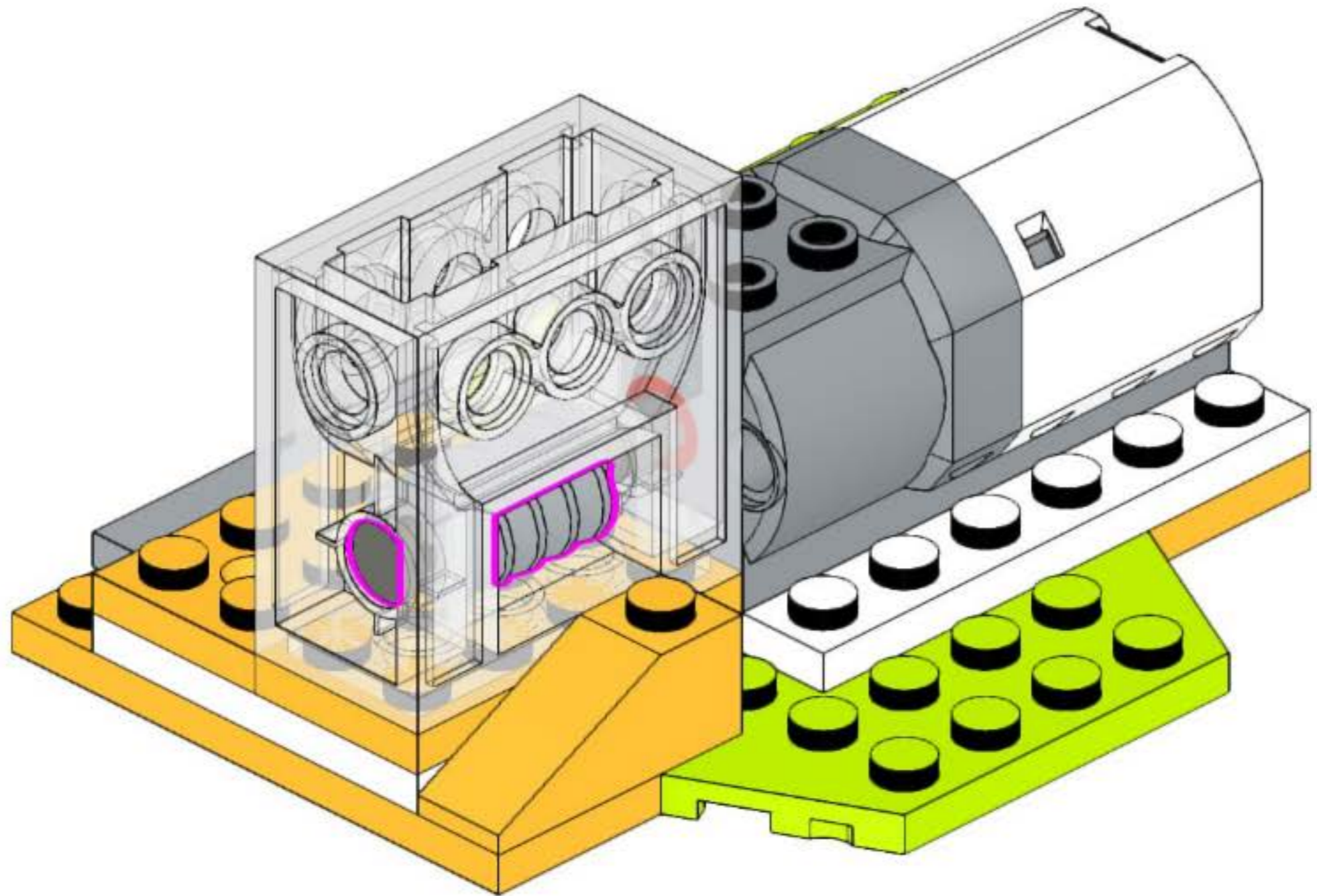
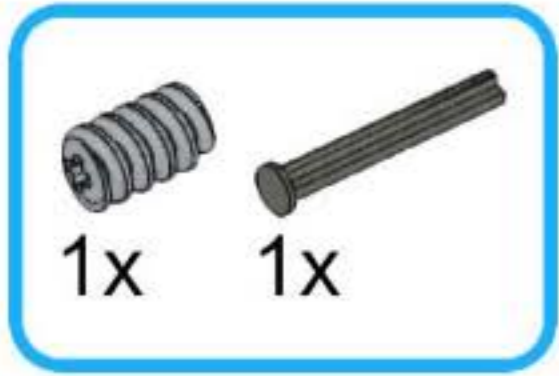
1x

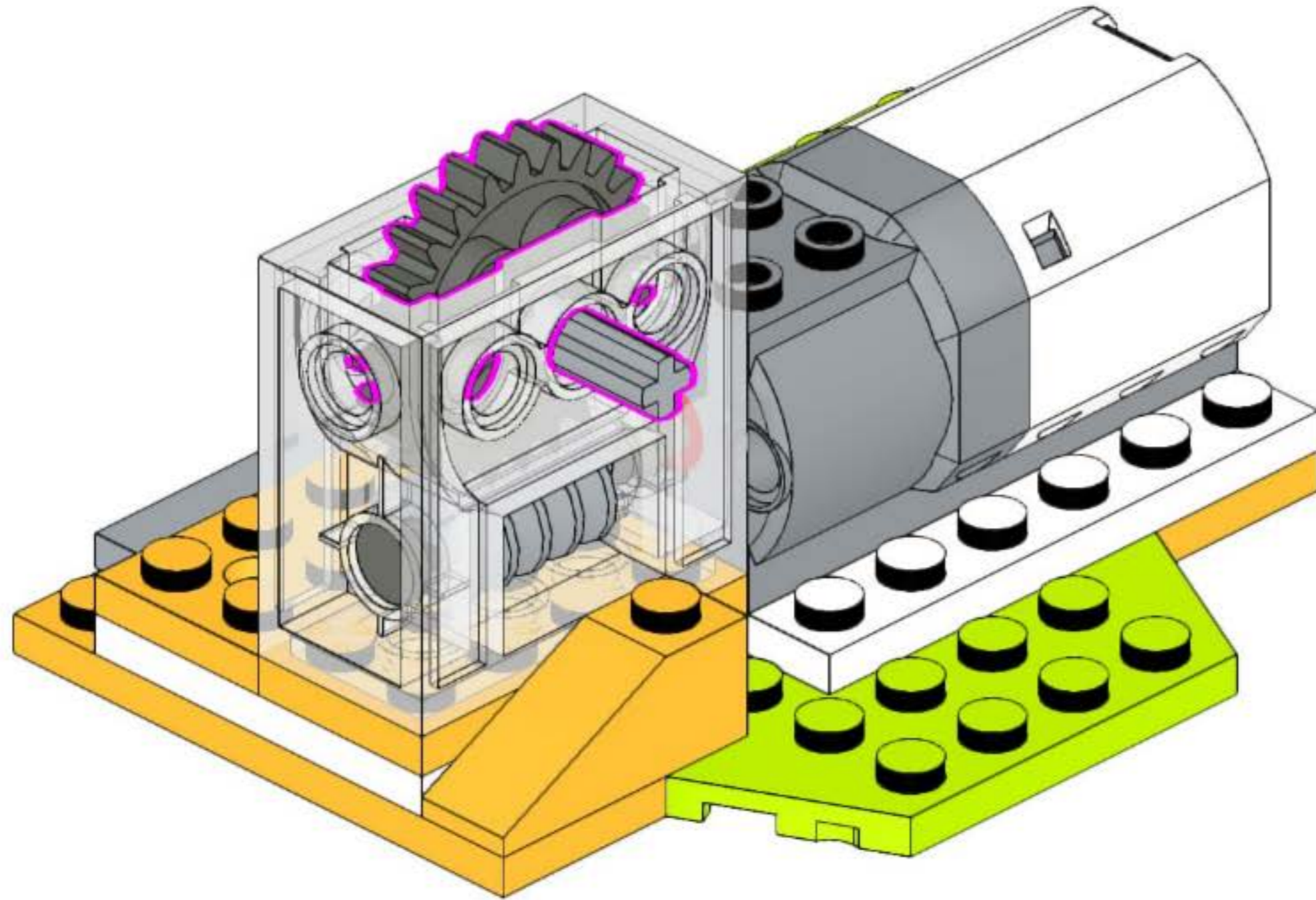
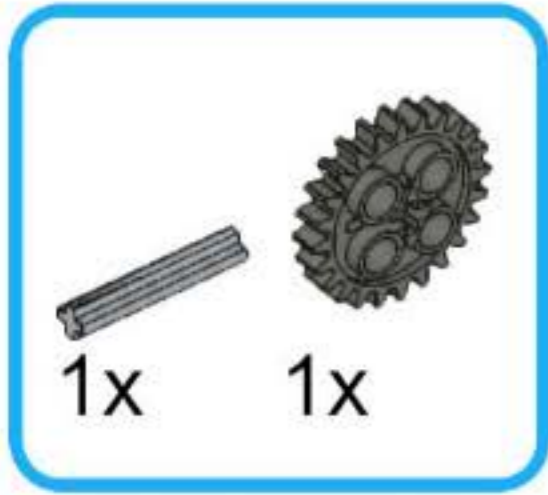


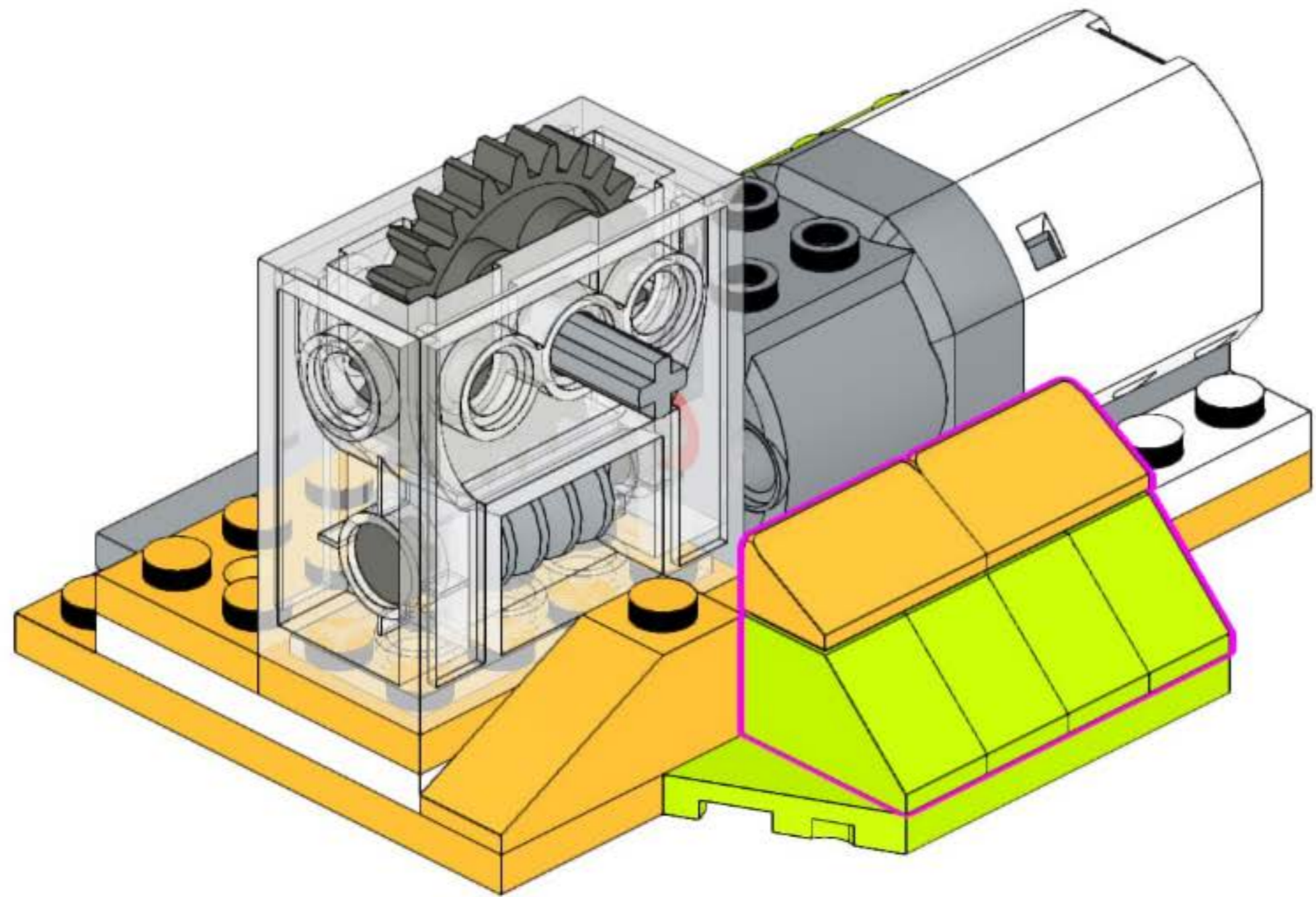
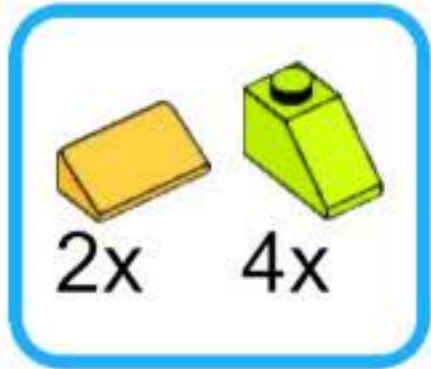


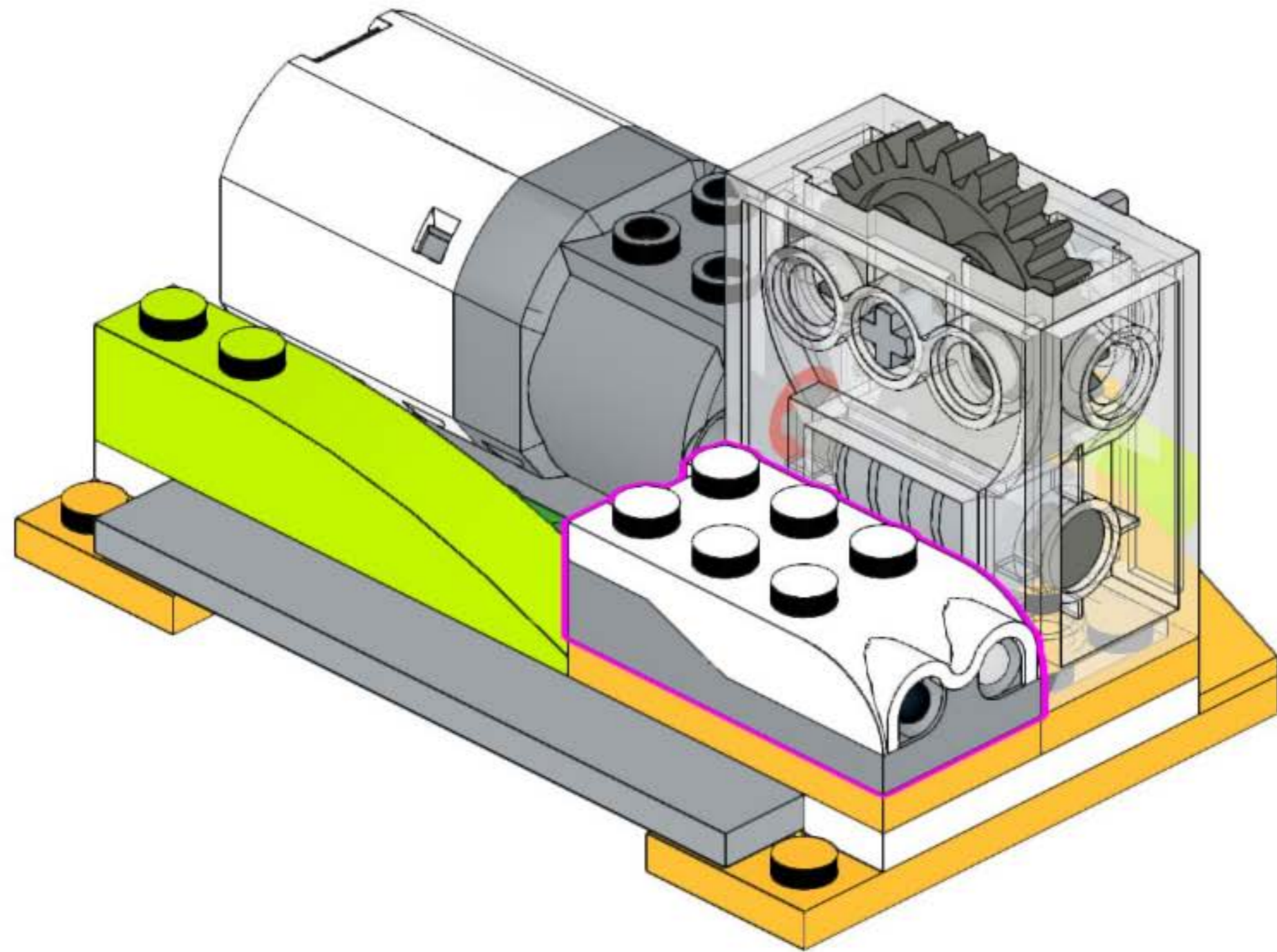
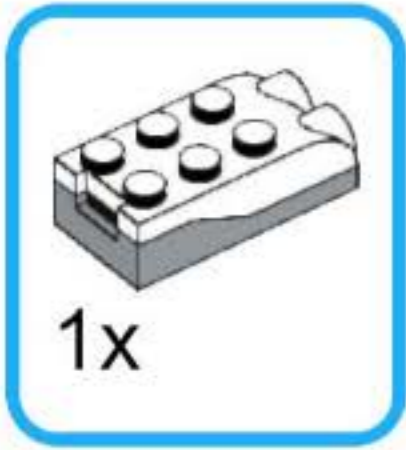


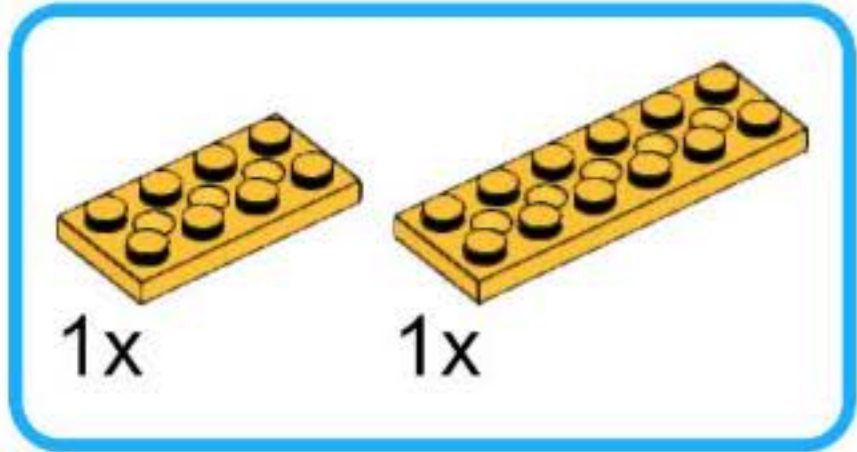
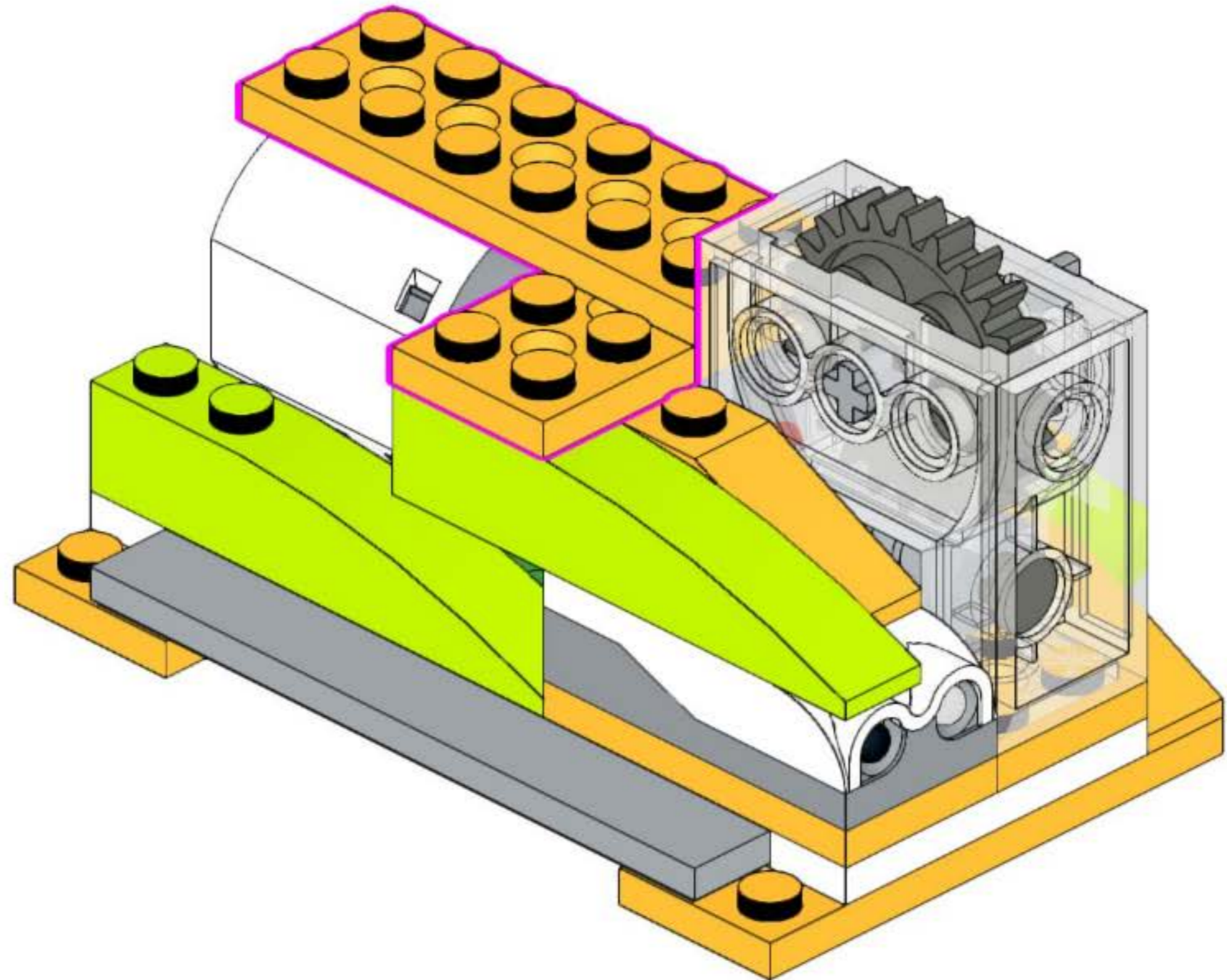


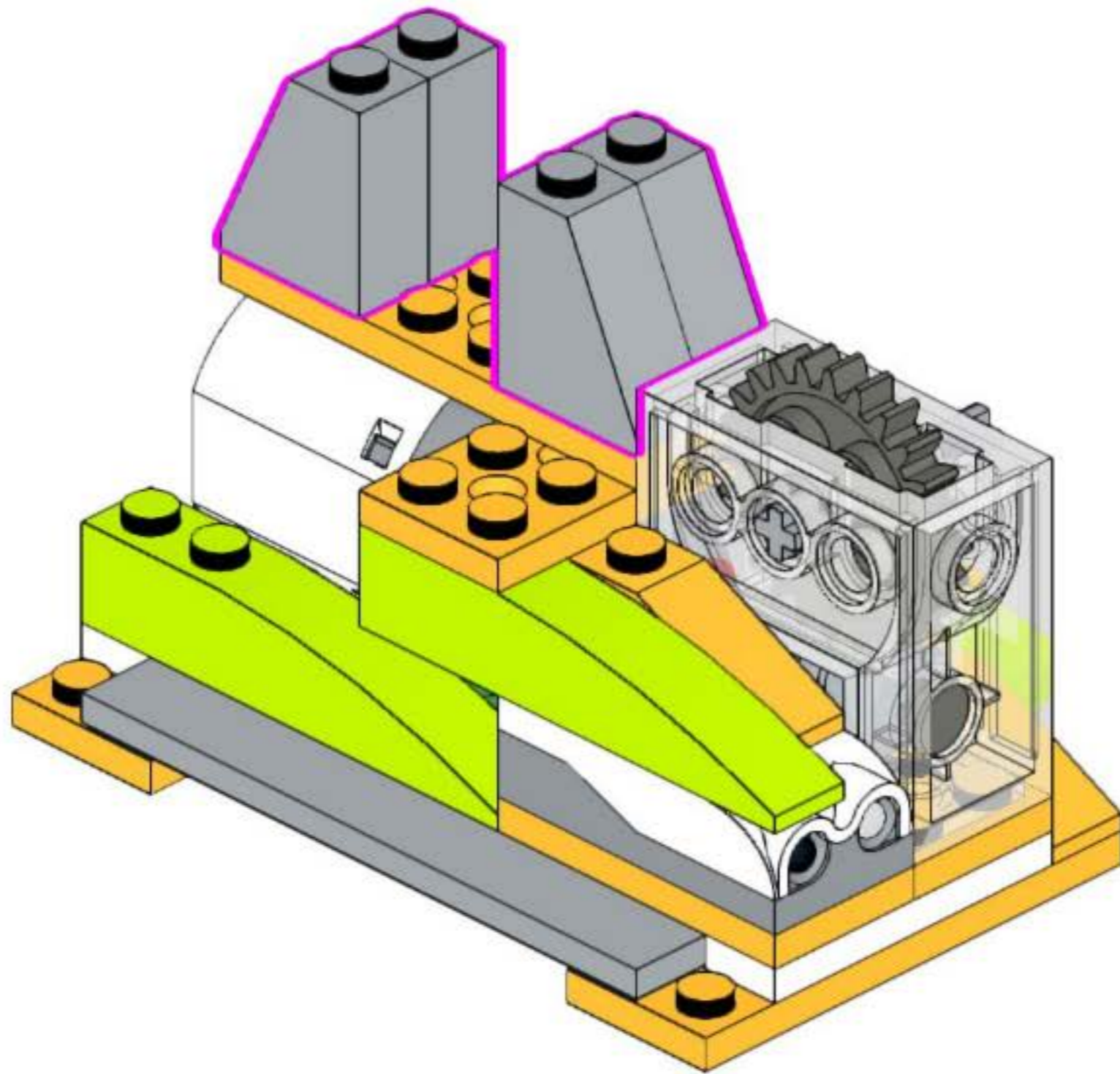
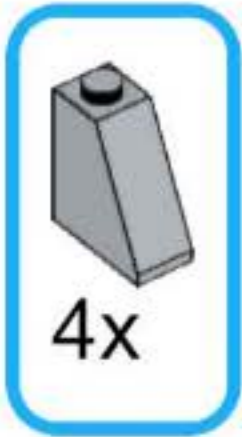


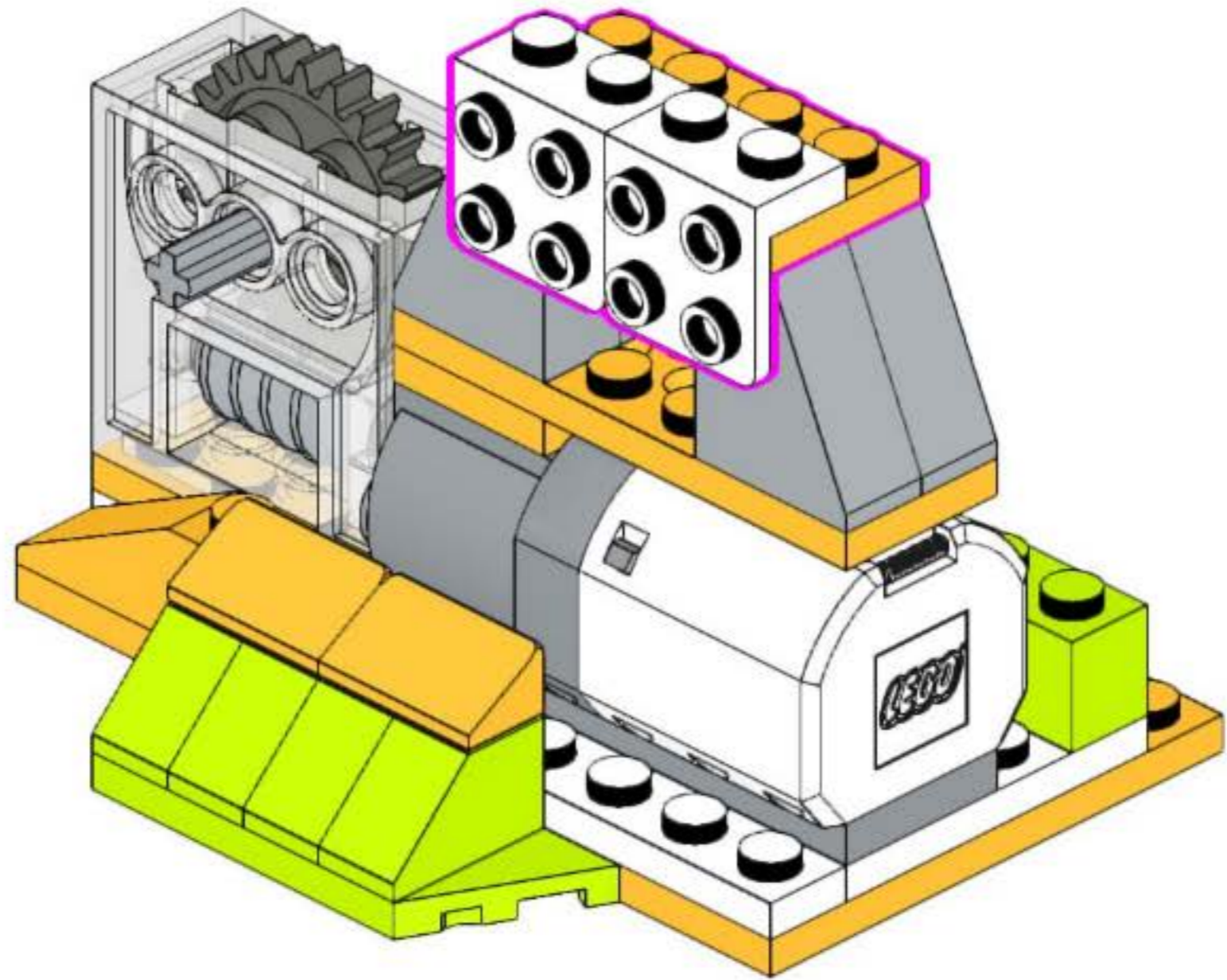
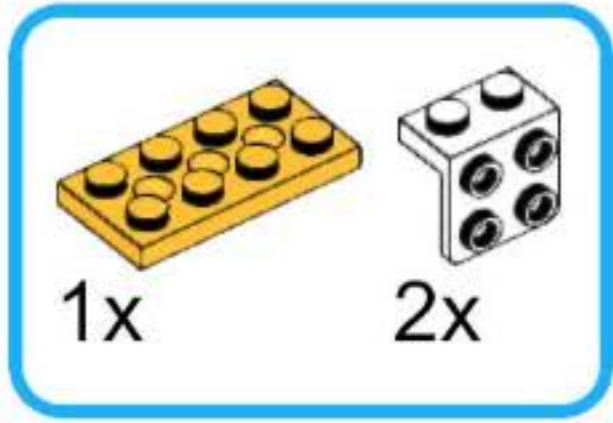


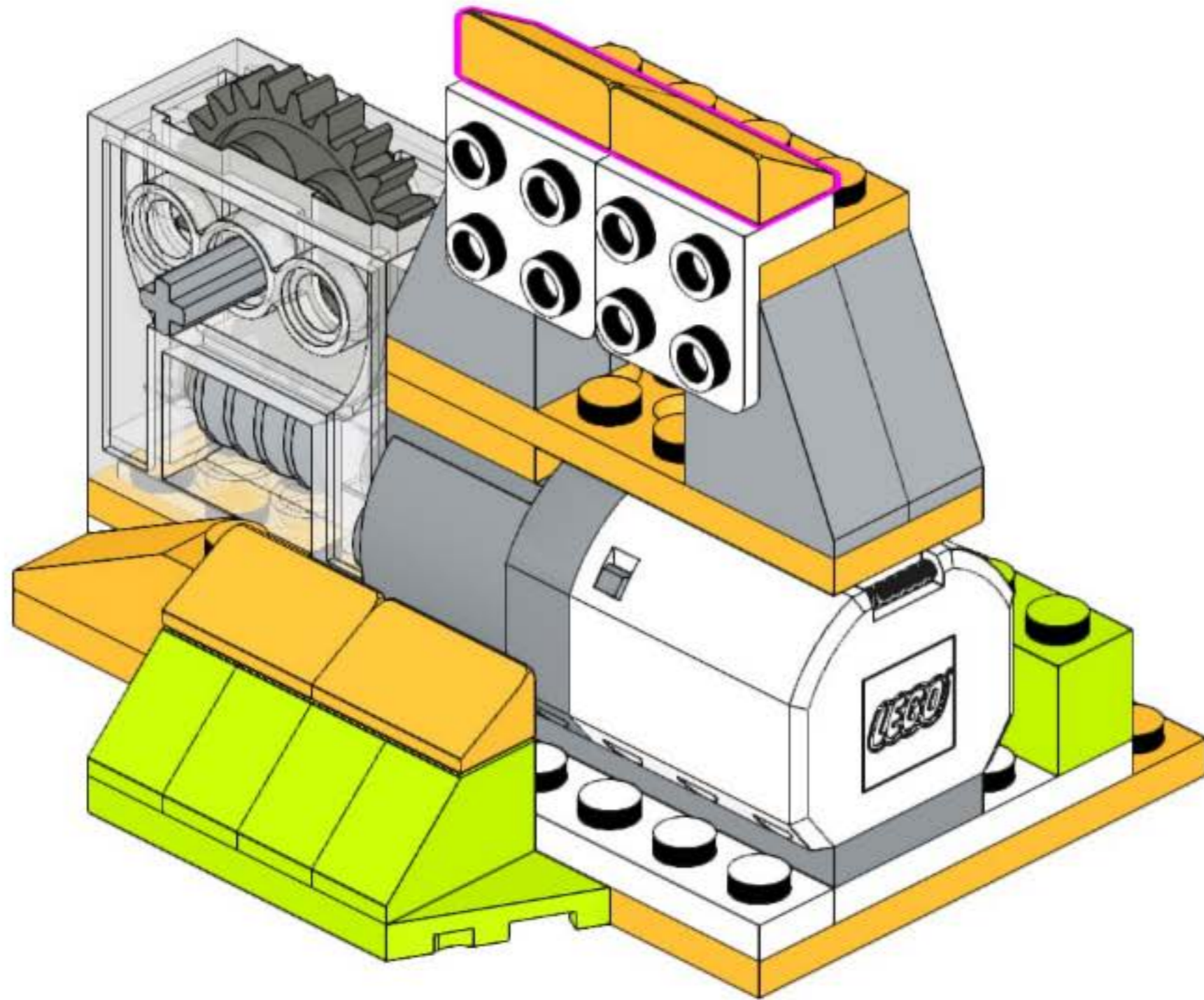
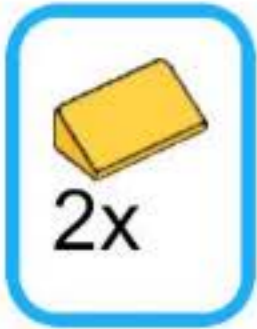


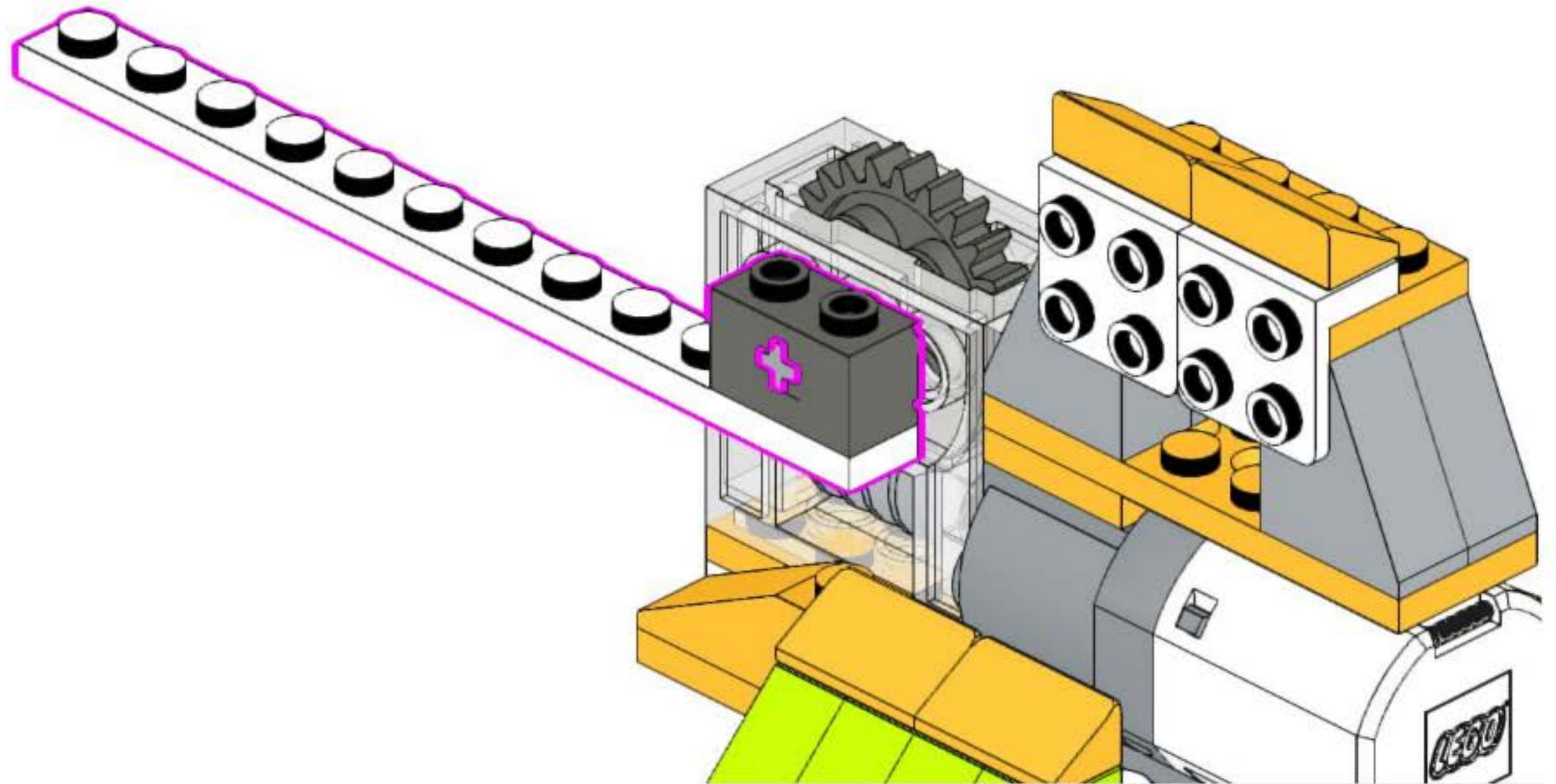
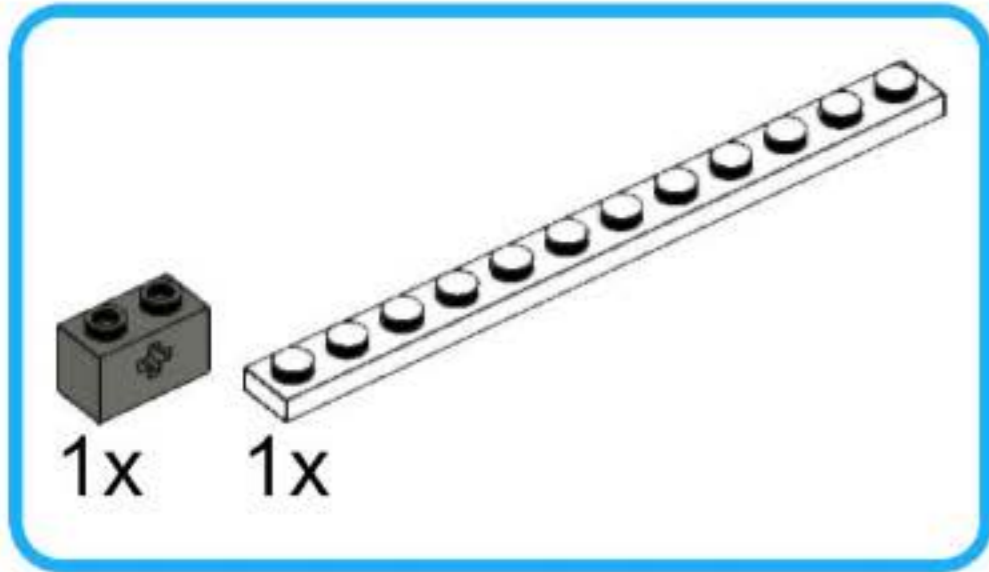


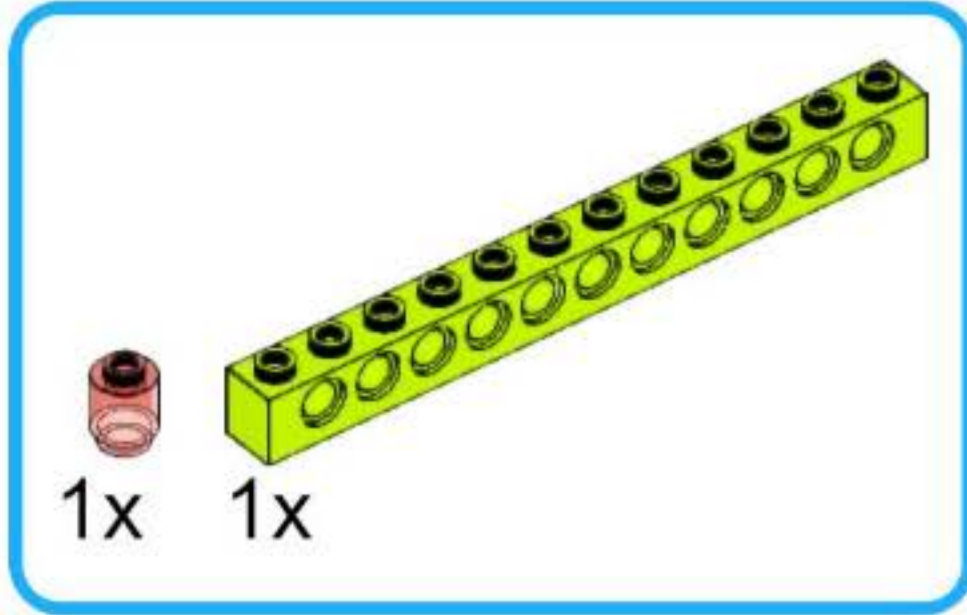
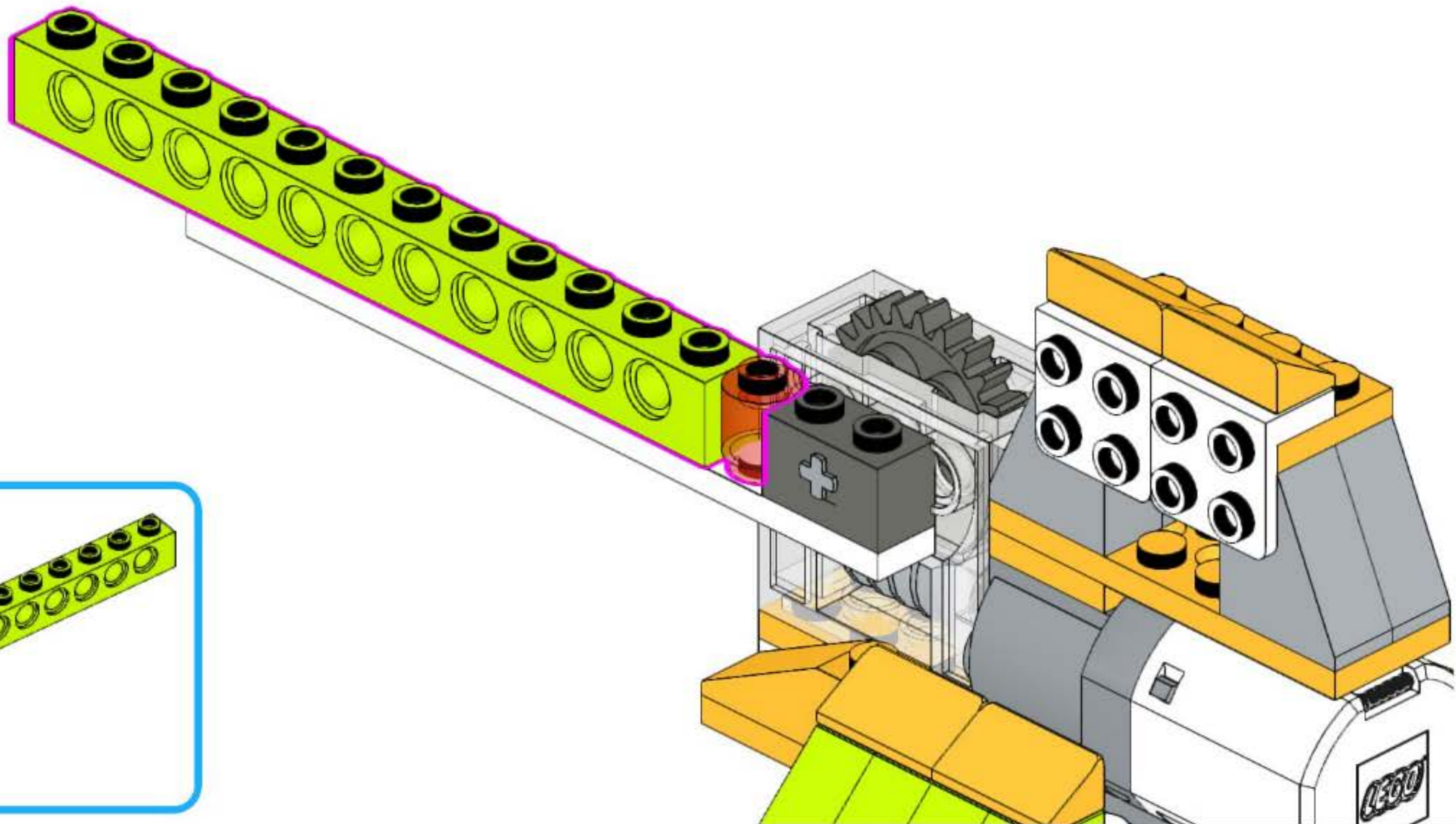


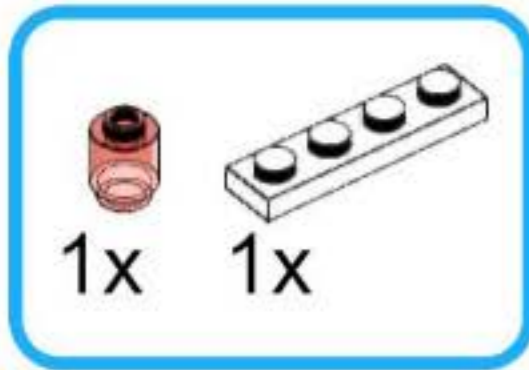
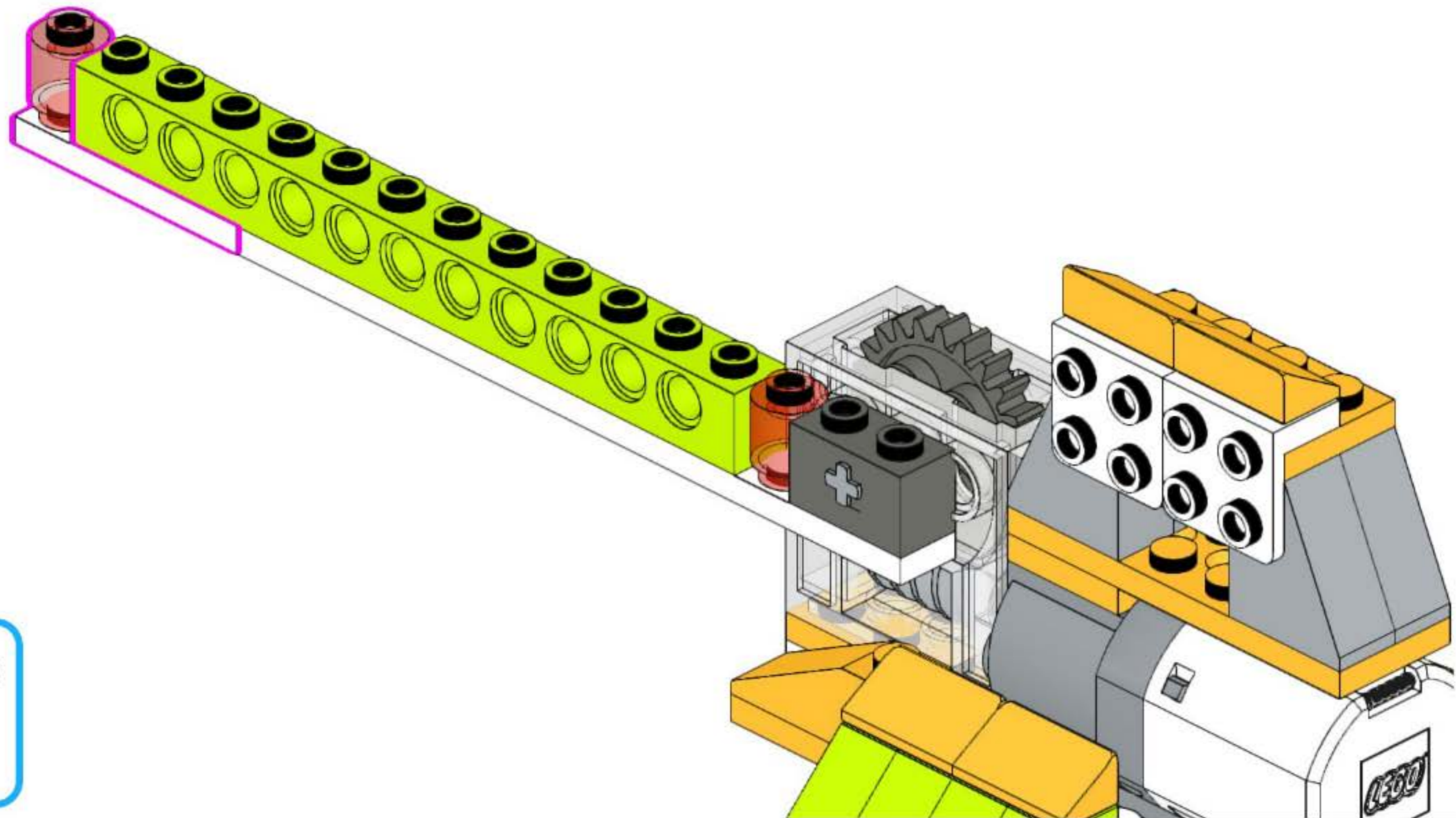


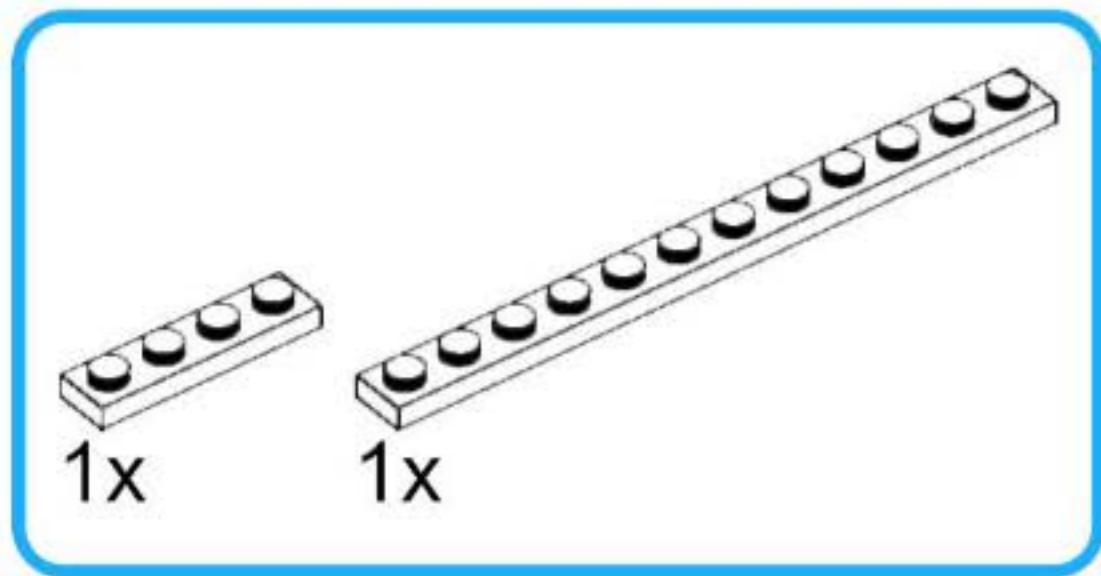
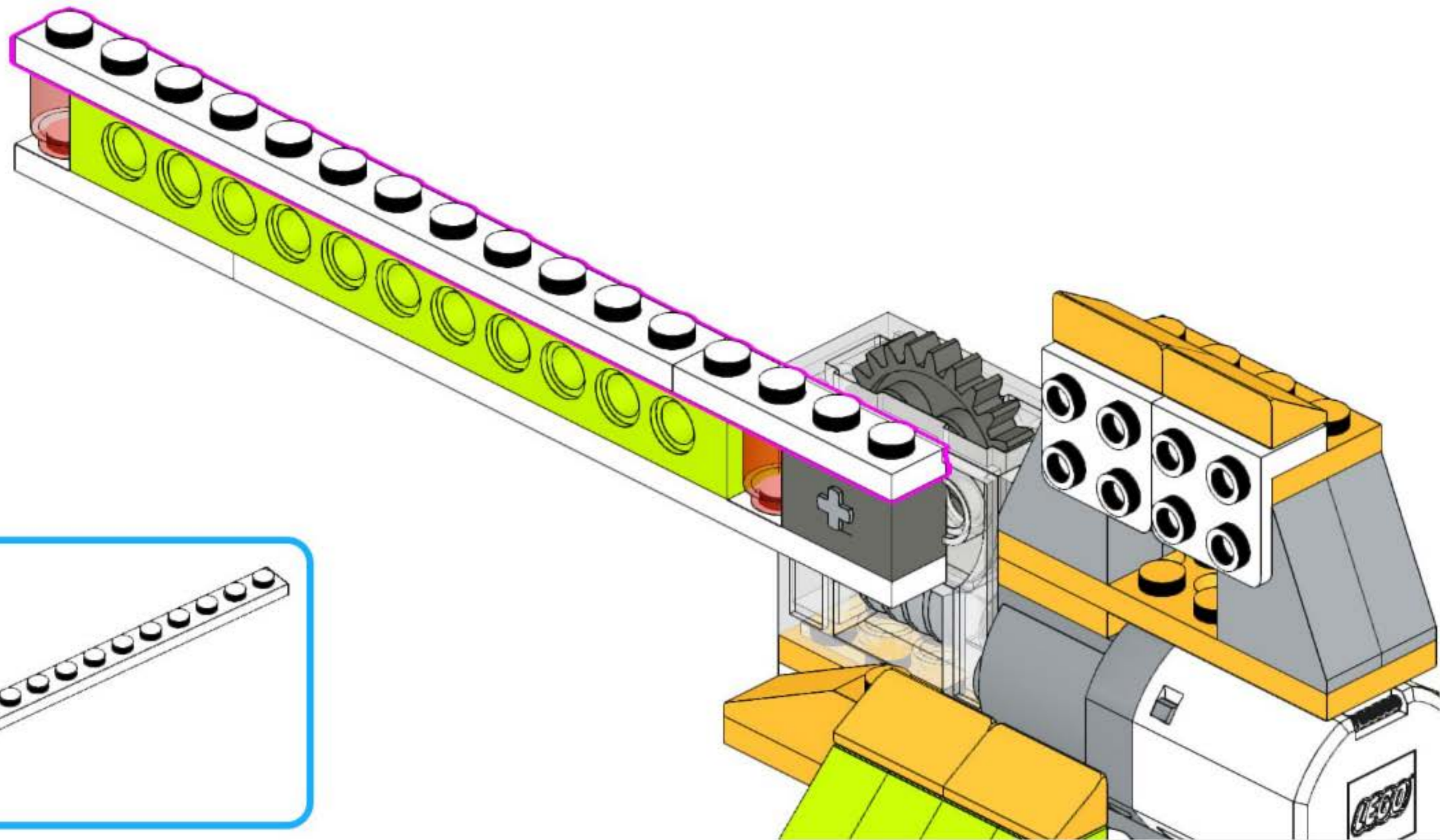


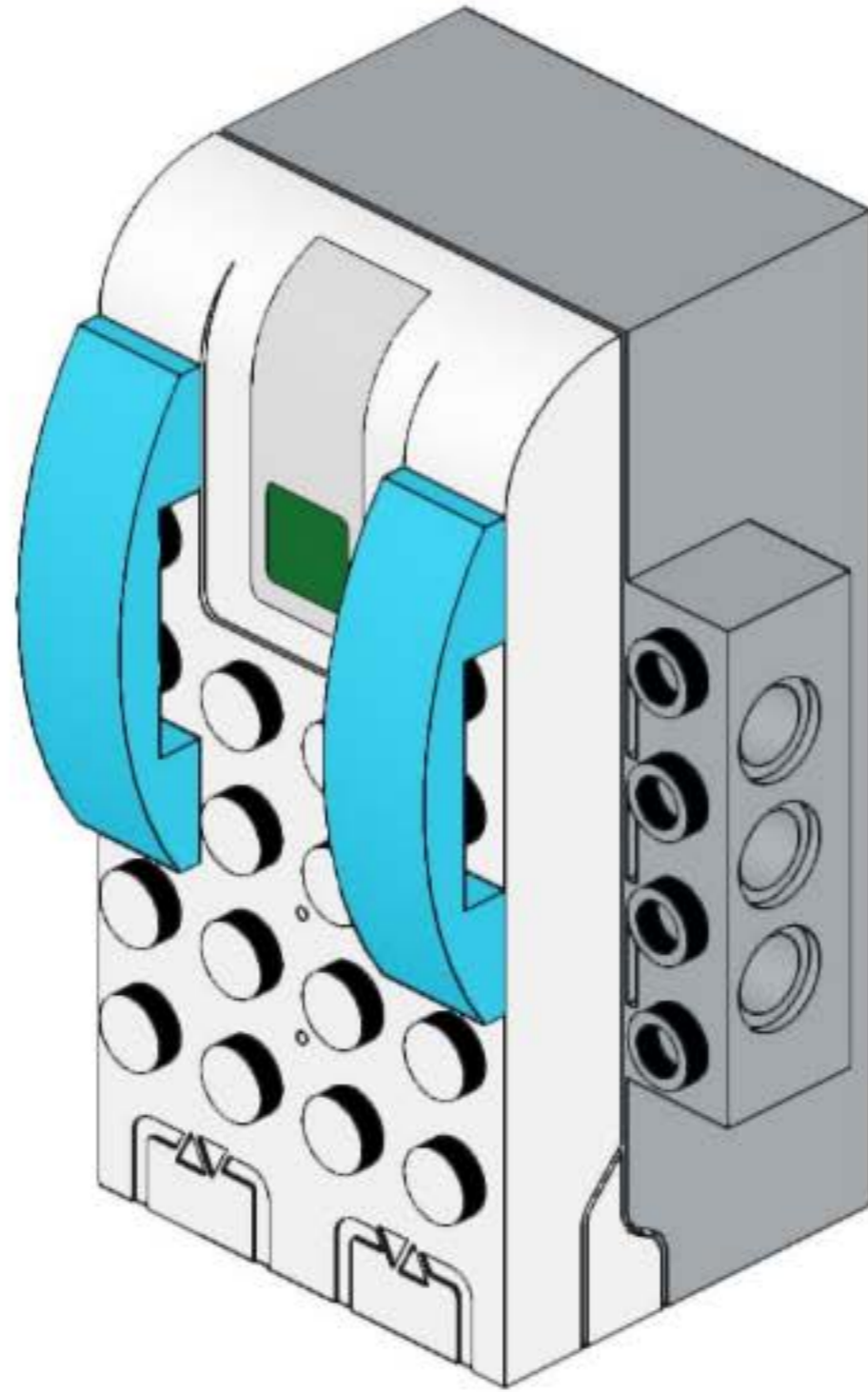
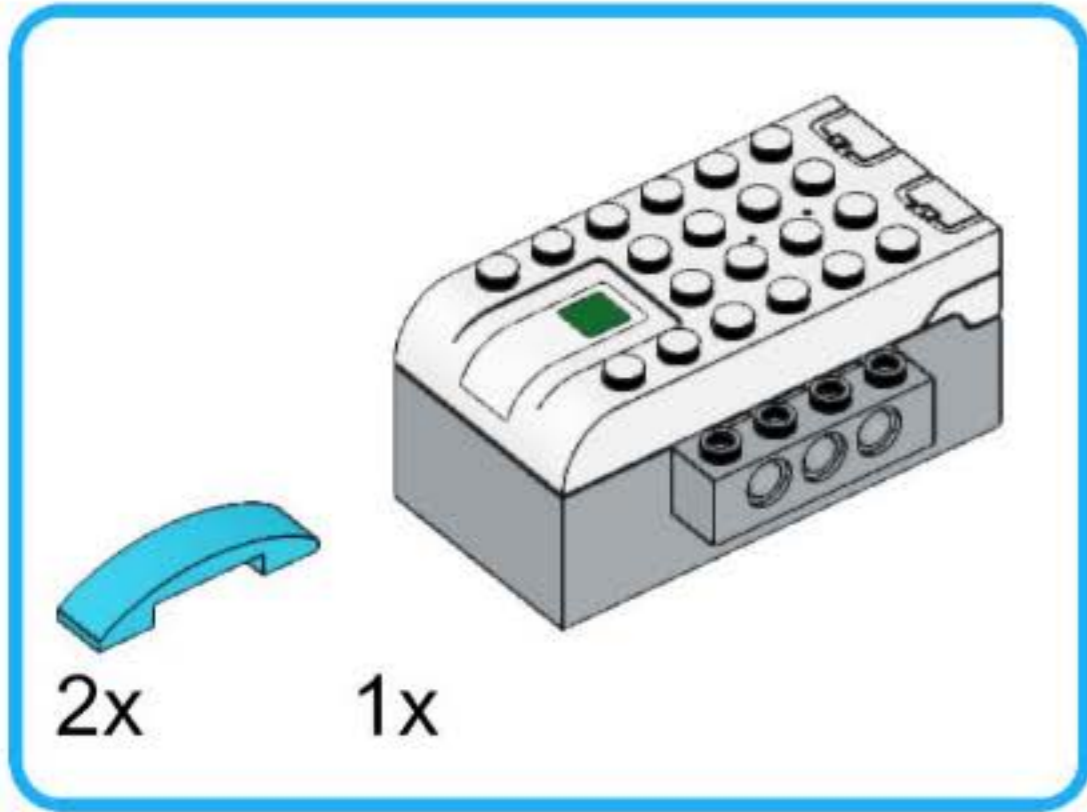


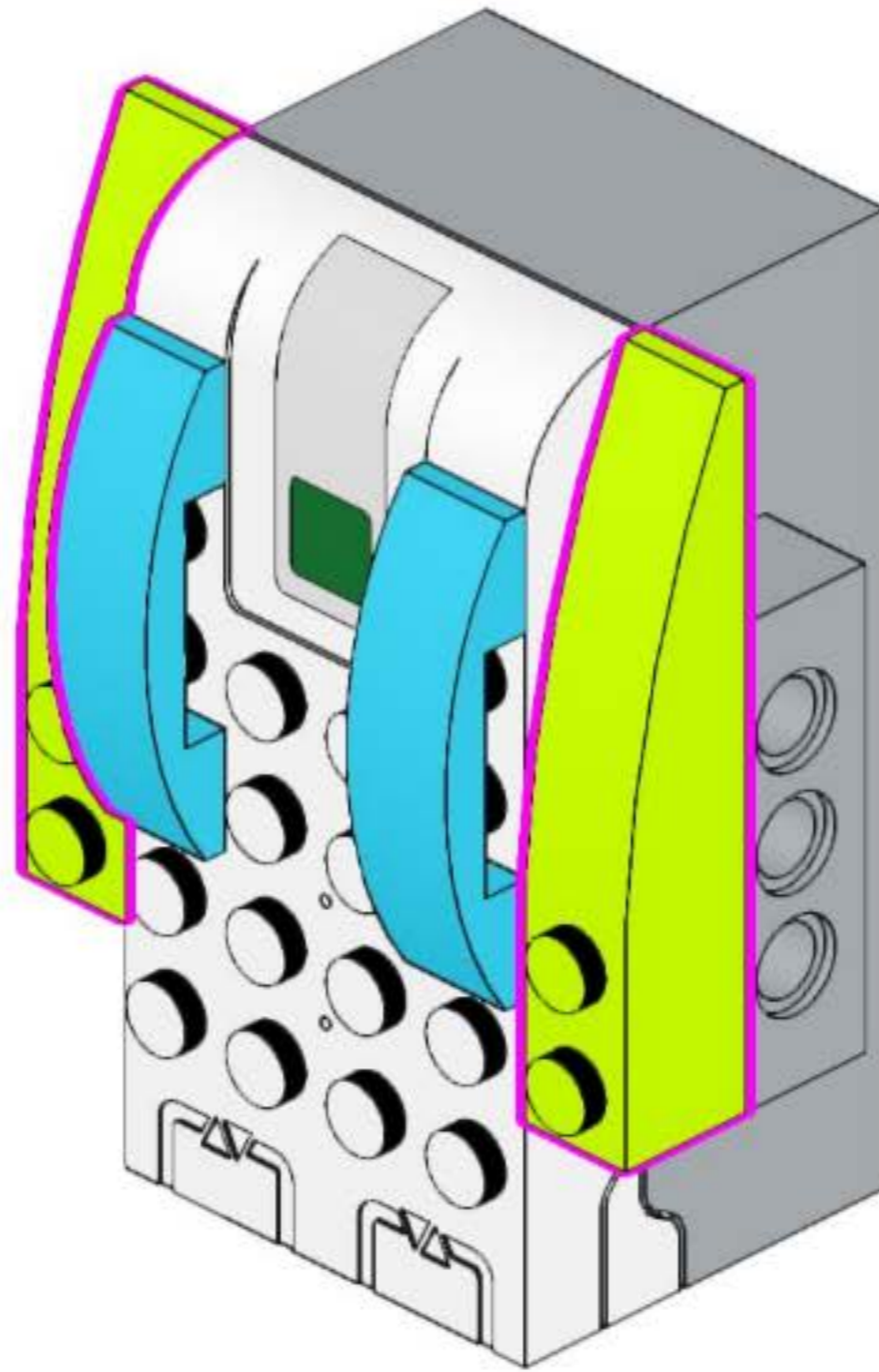
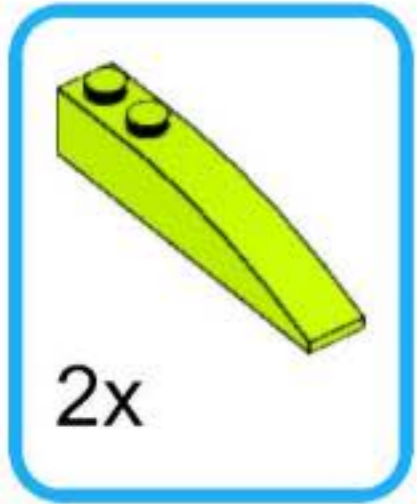


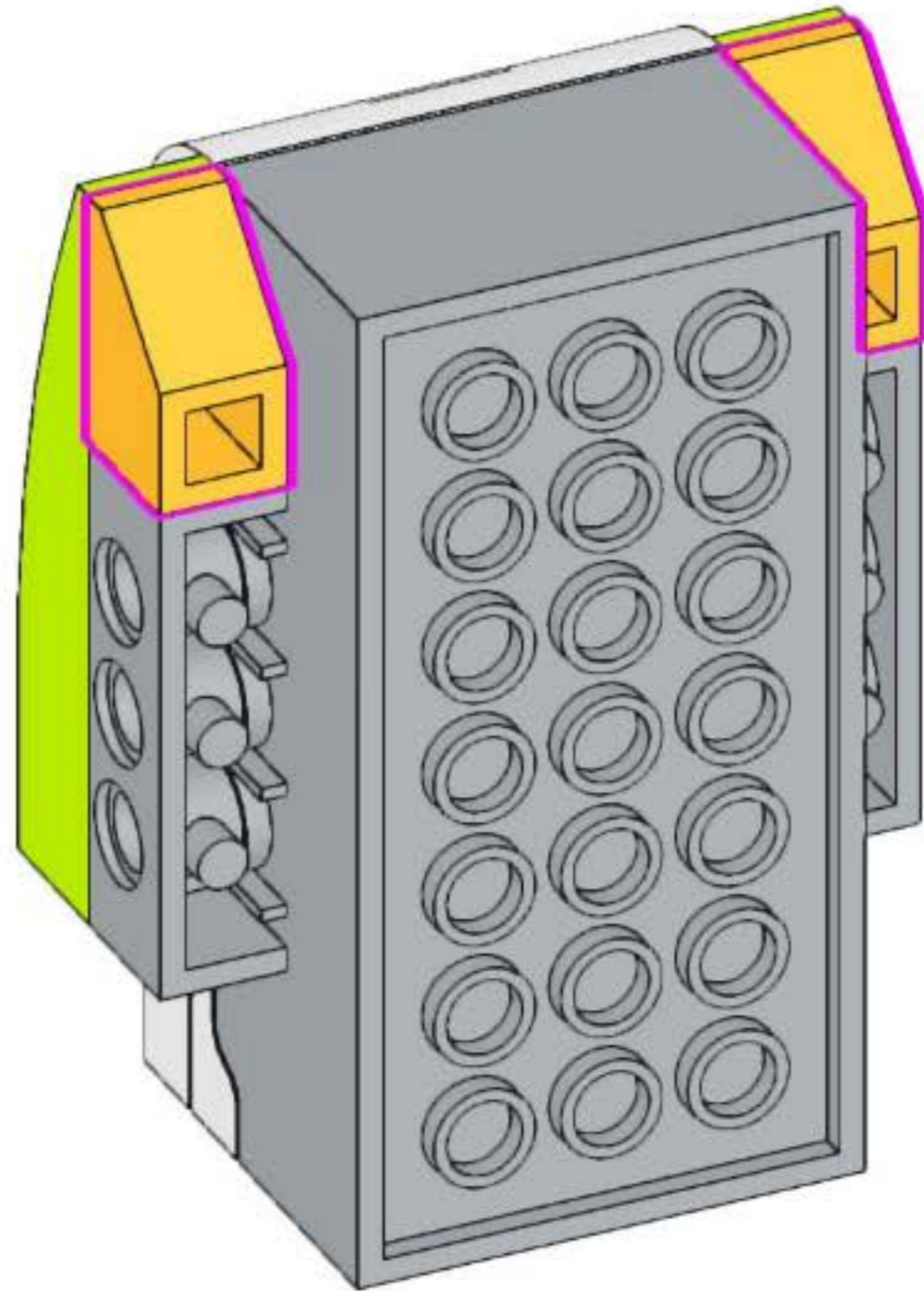
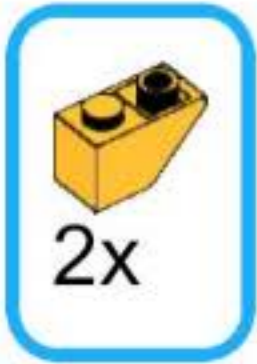


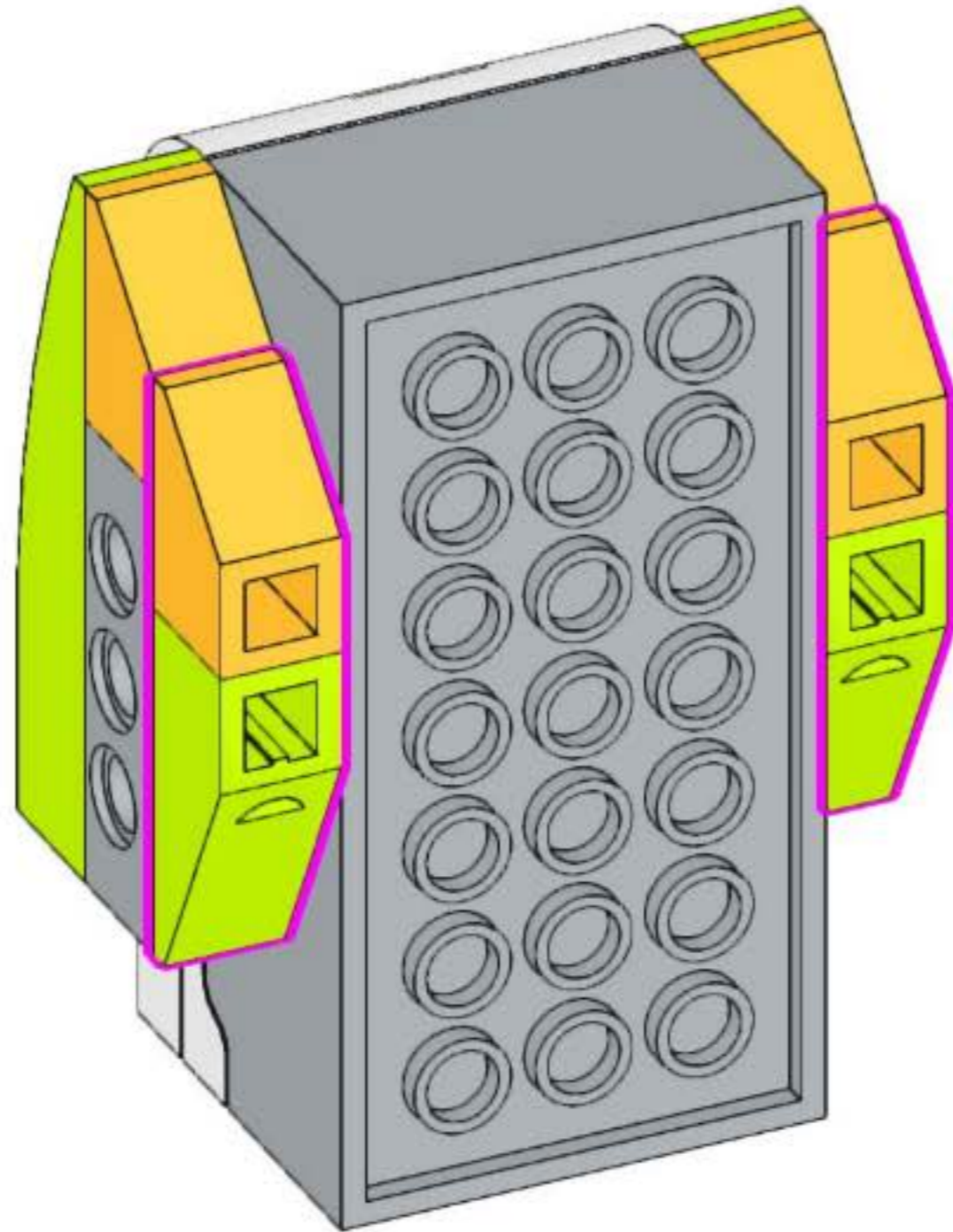
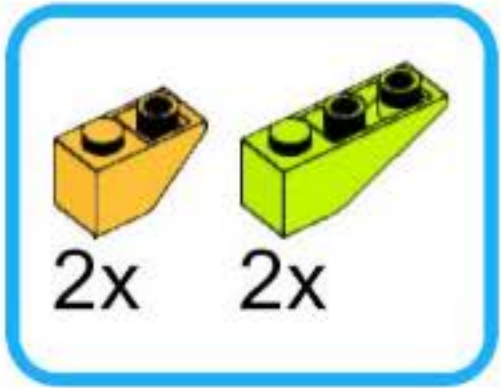


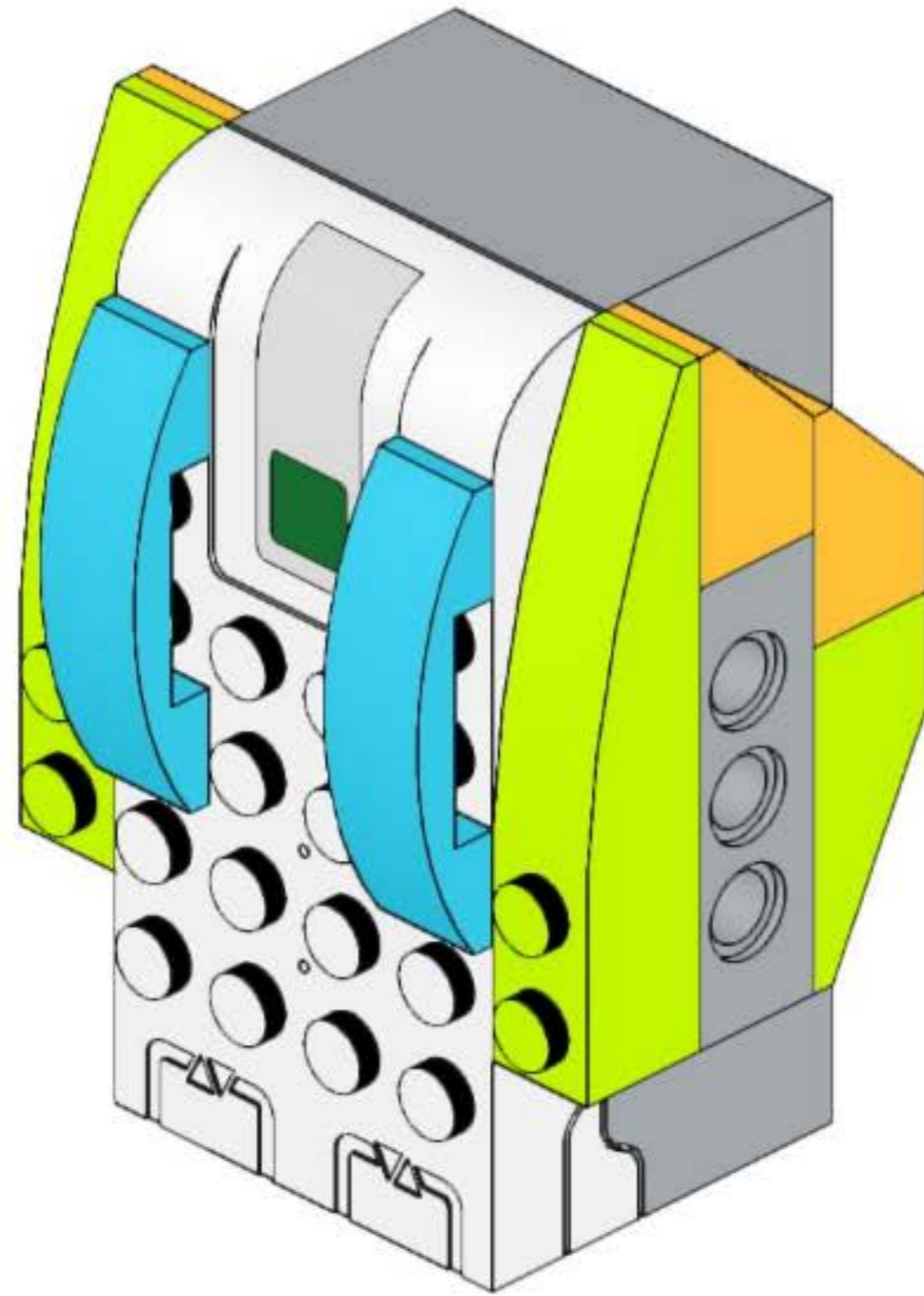


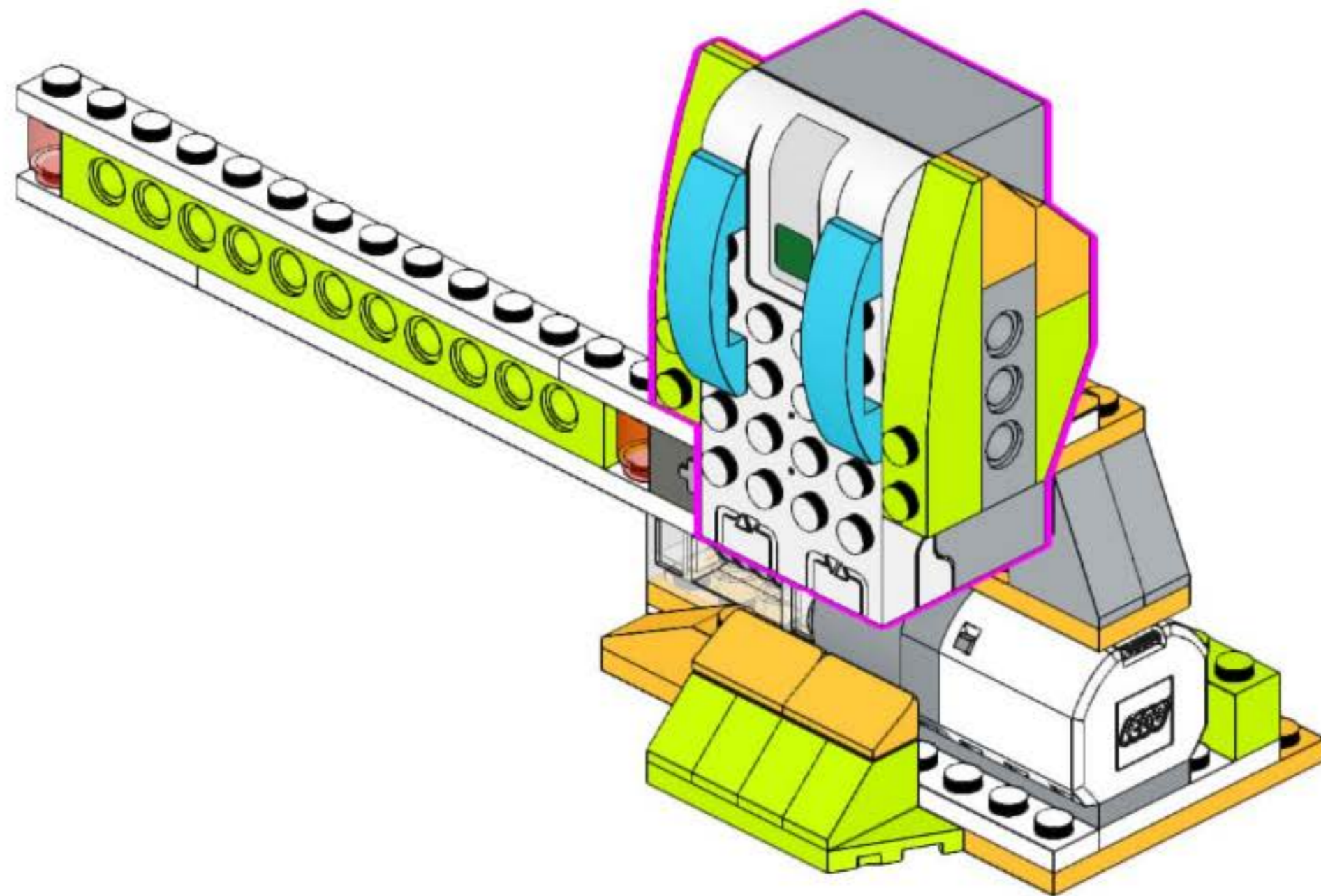


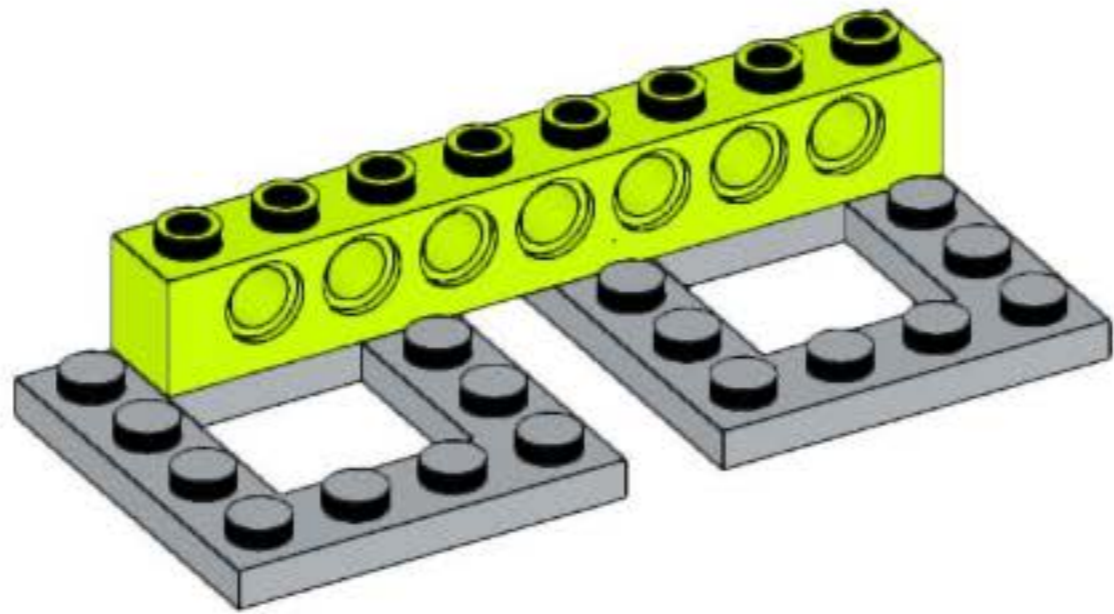
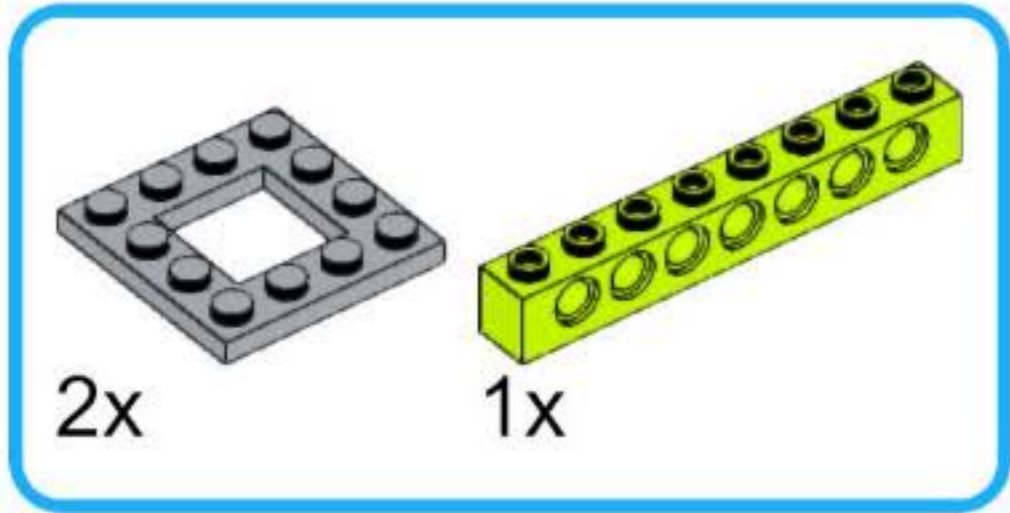


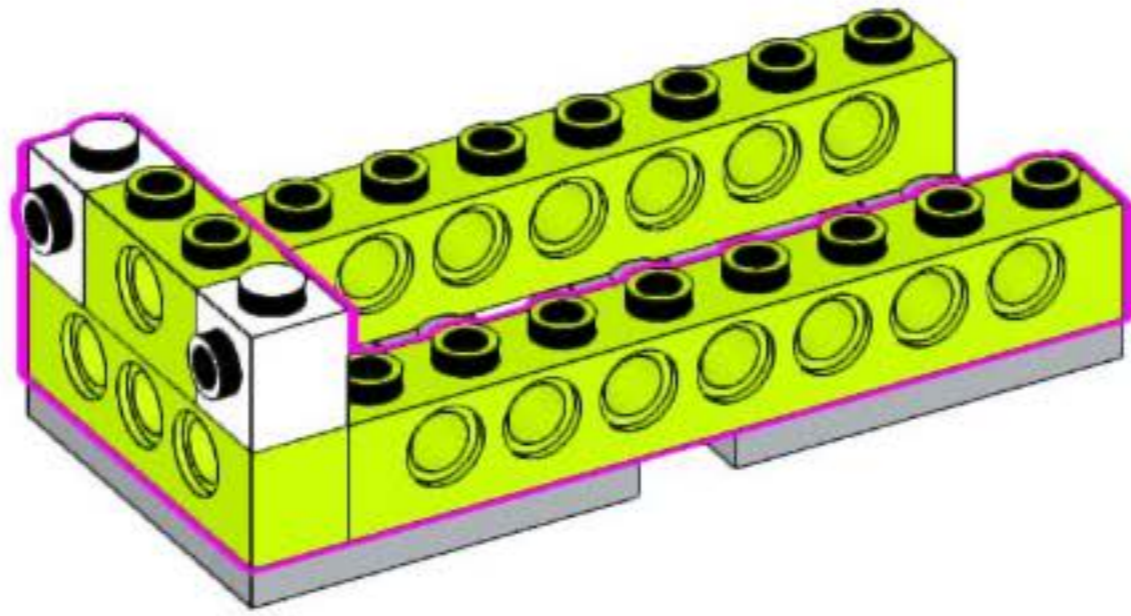
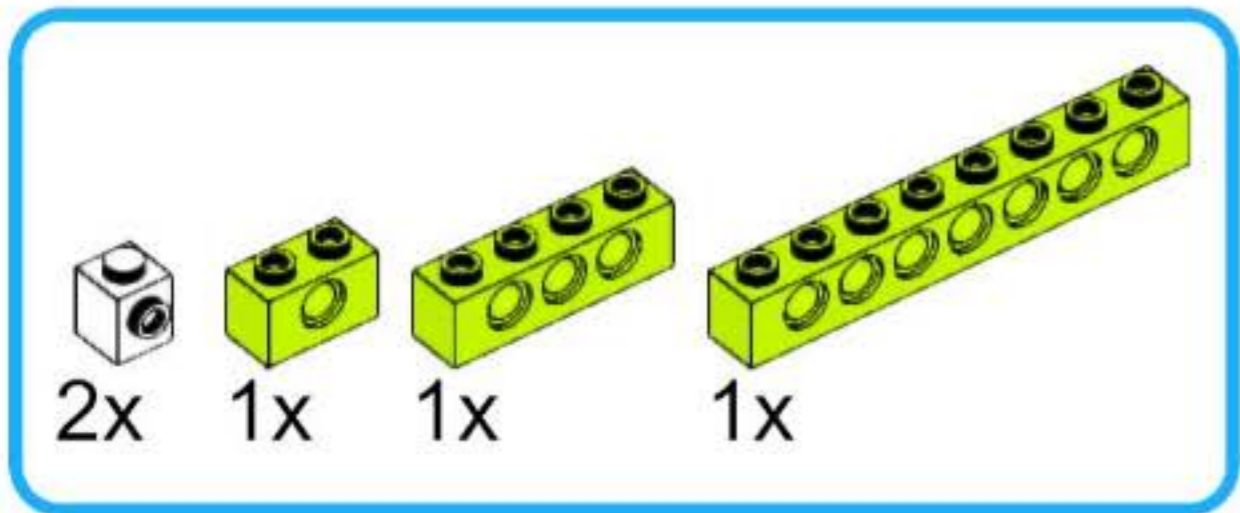


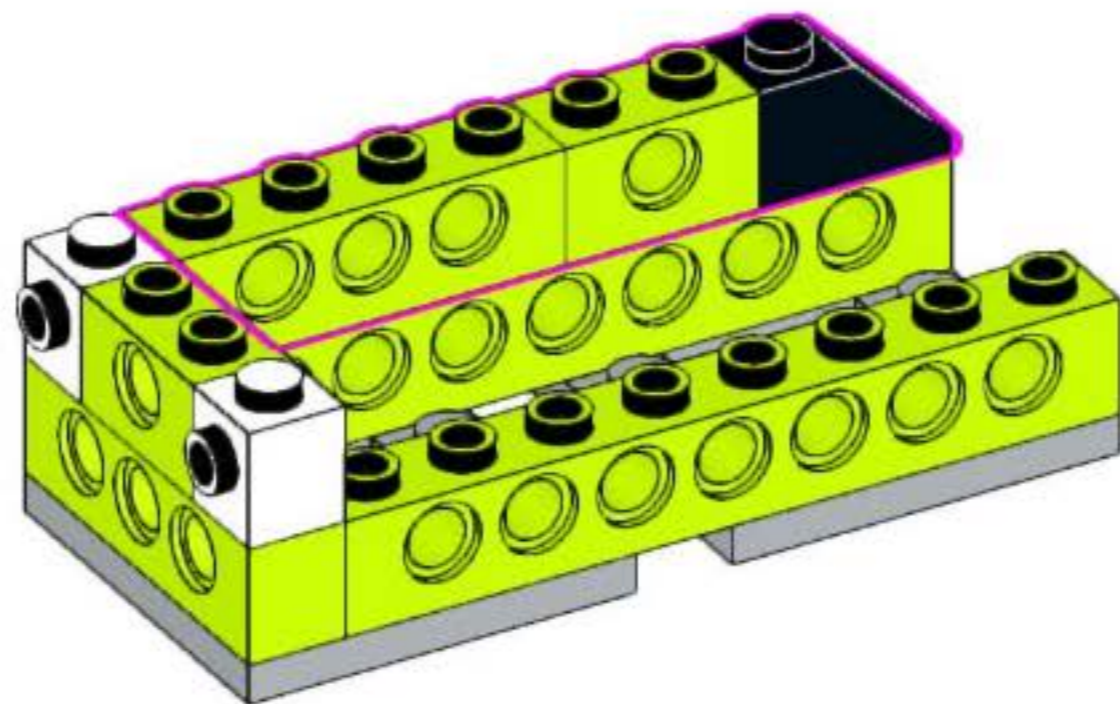
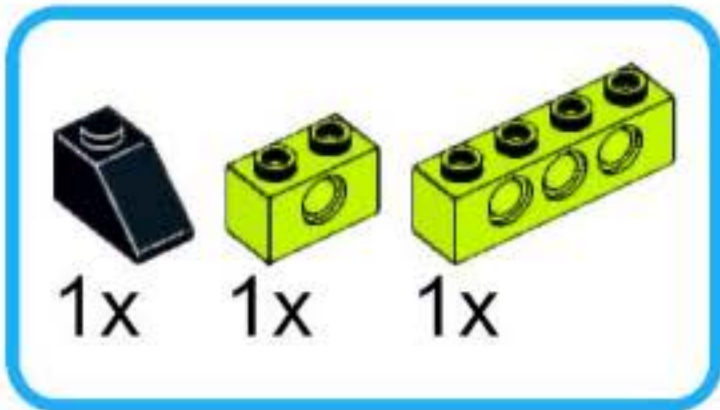


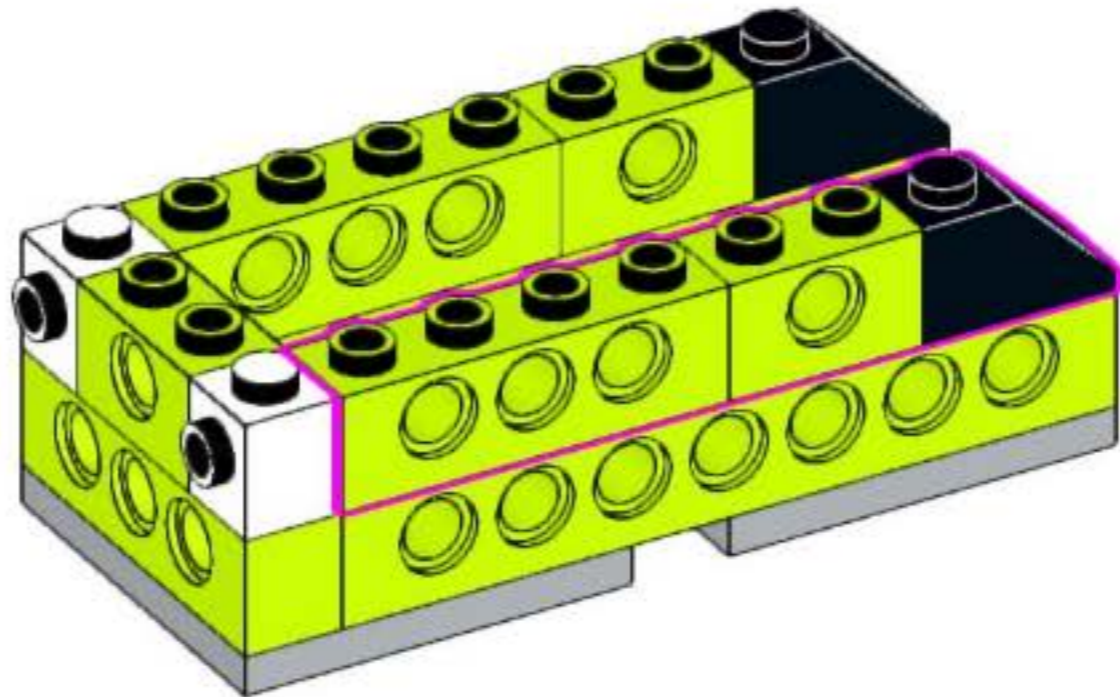
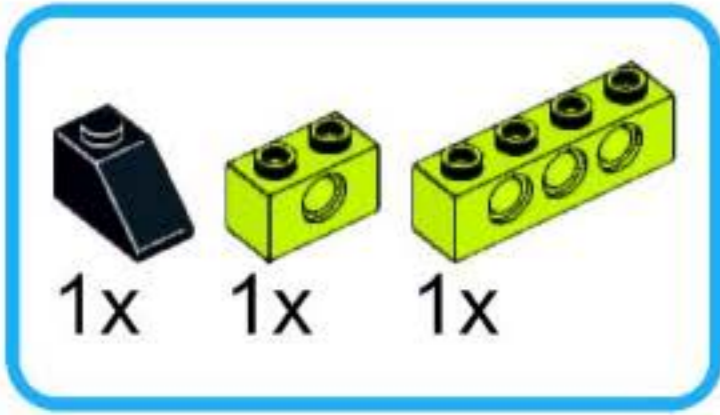


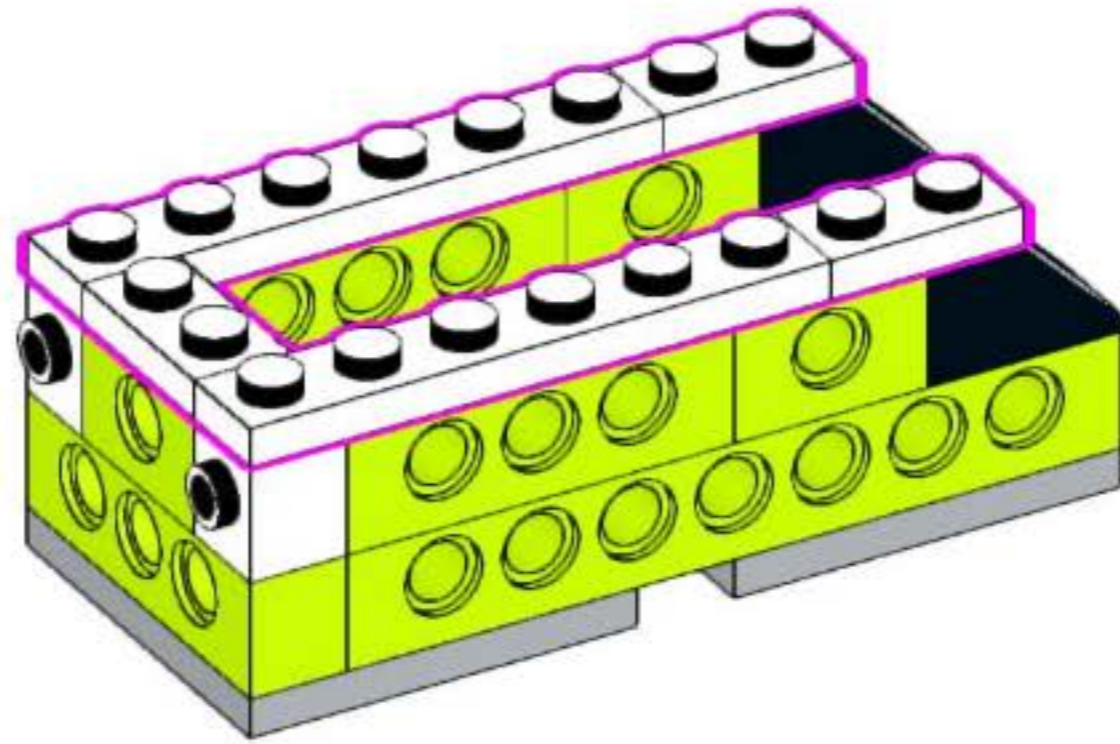
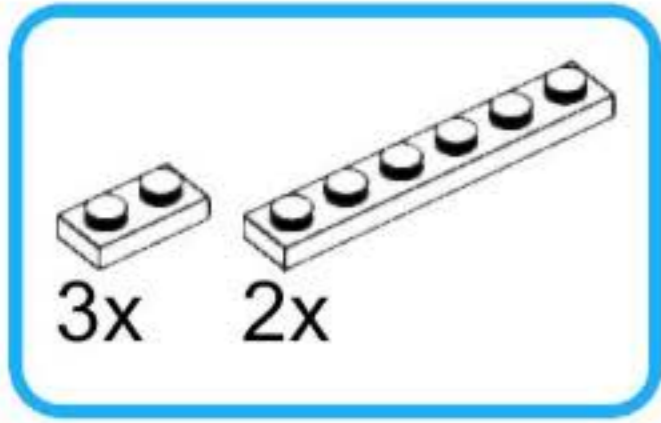


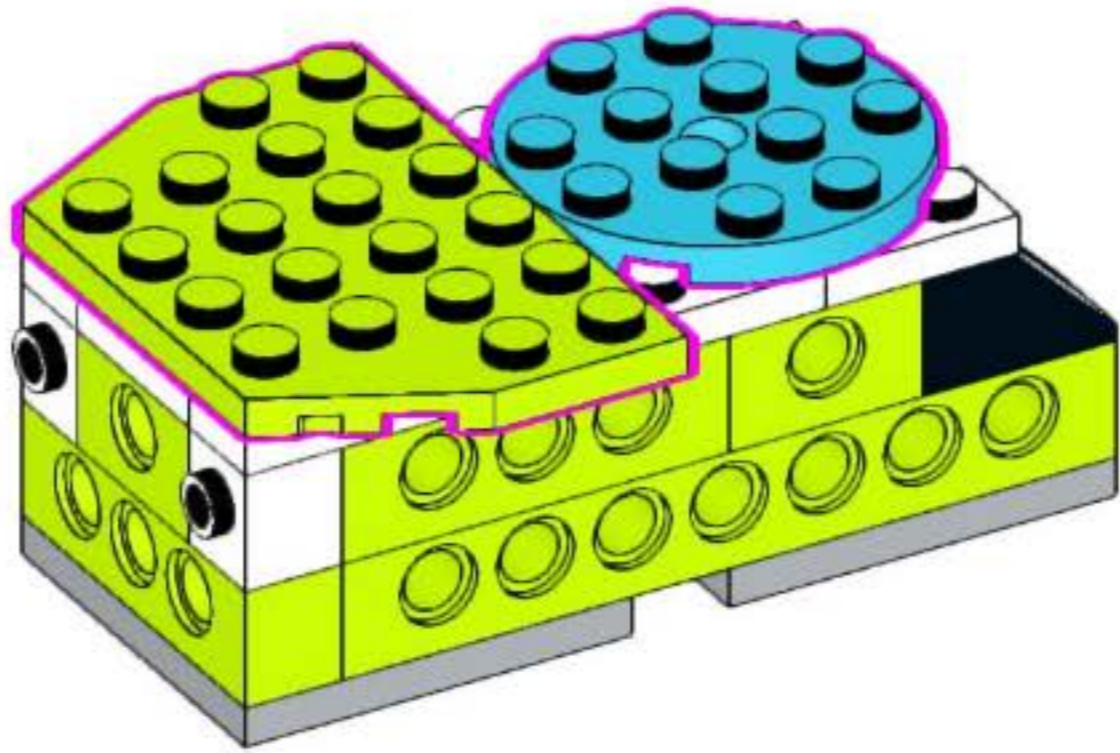
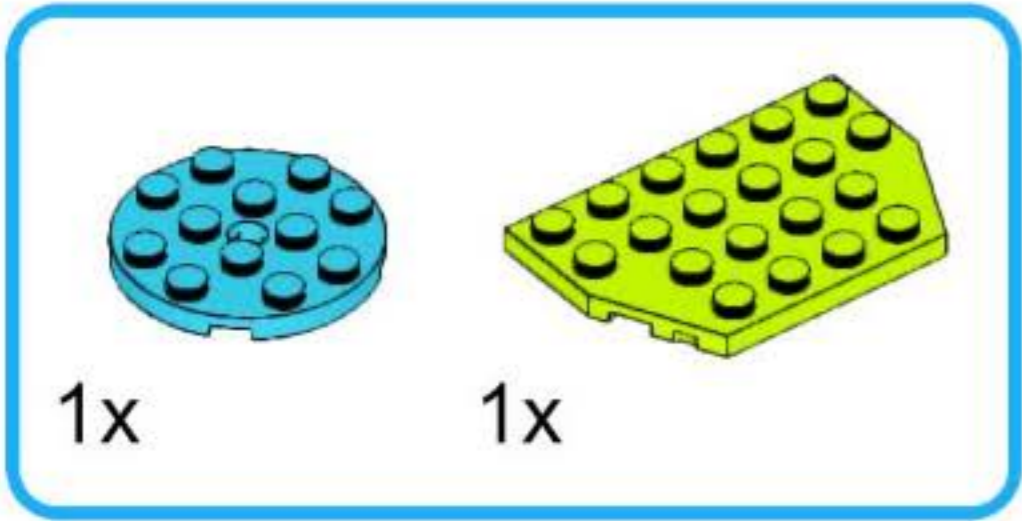


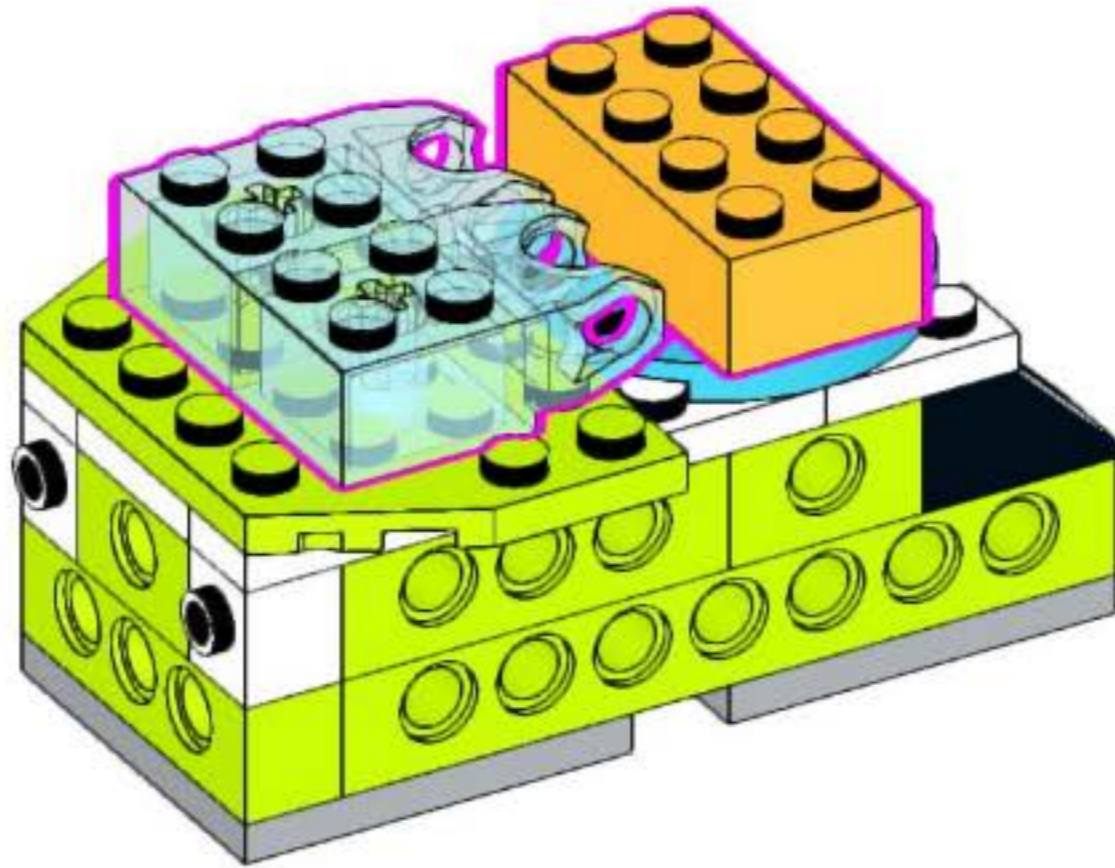
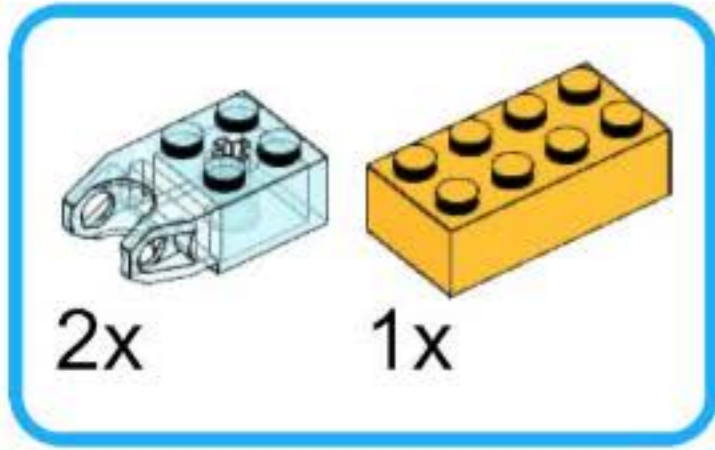


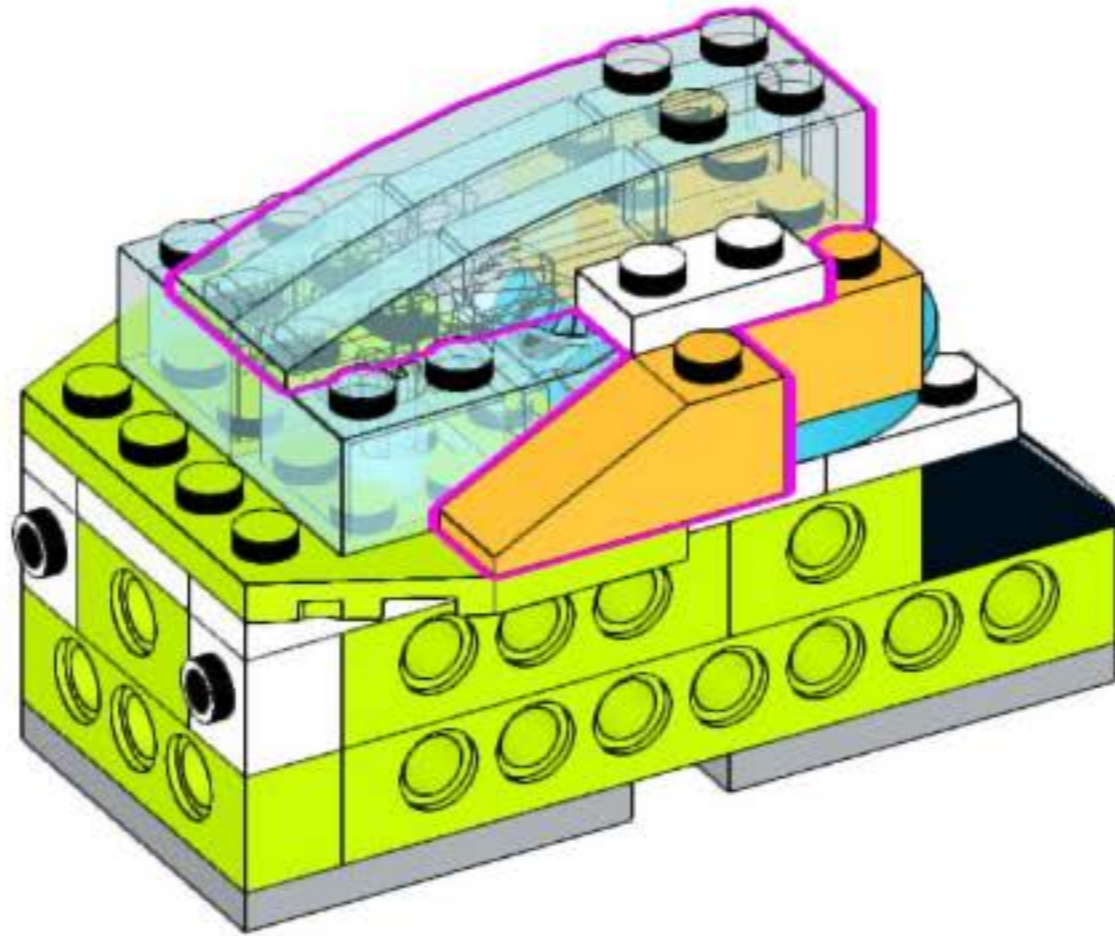
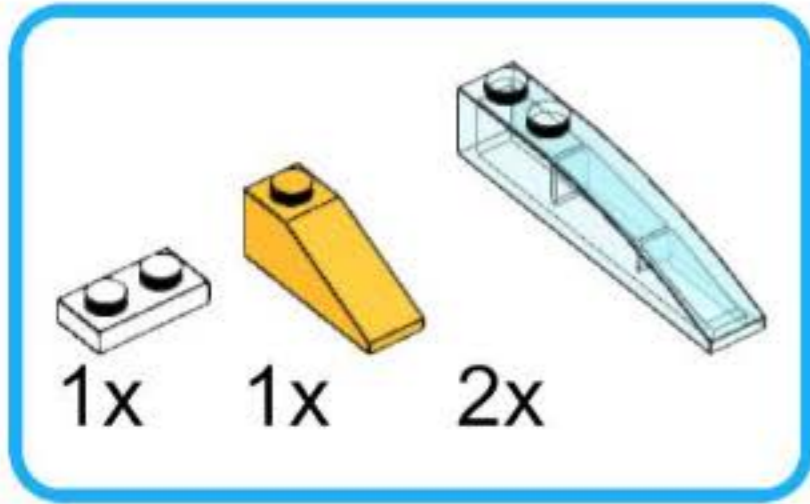


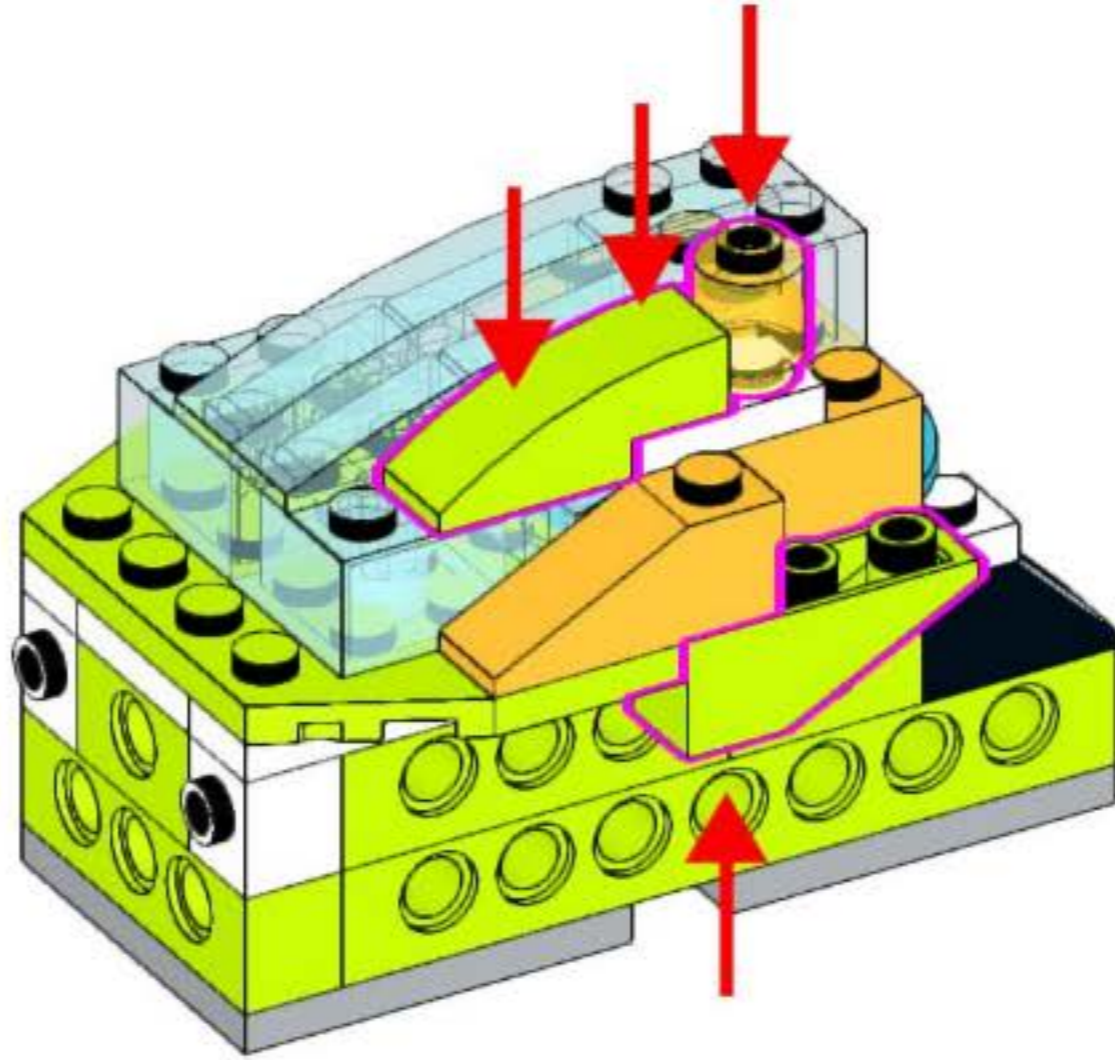
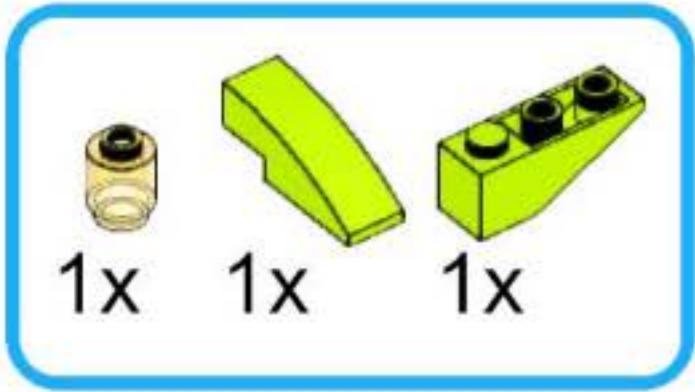


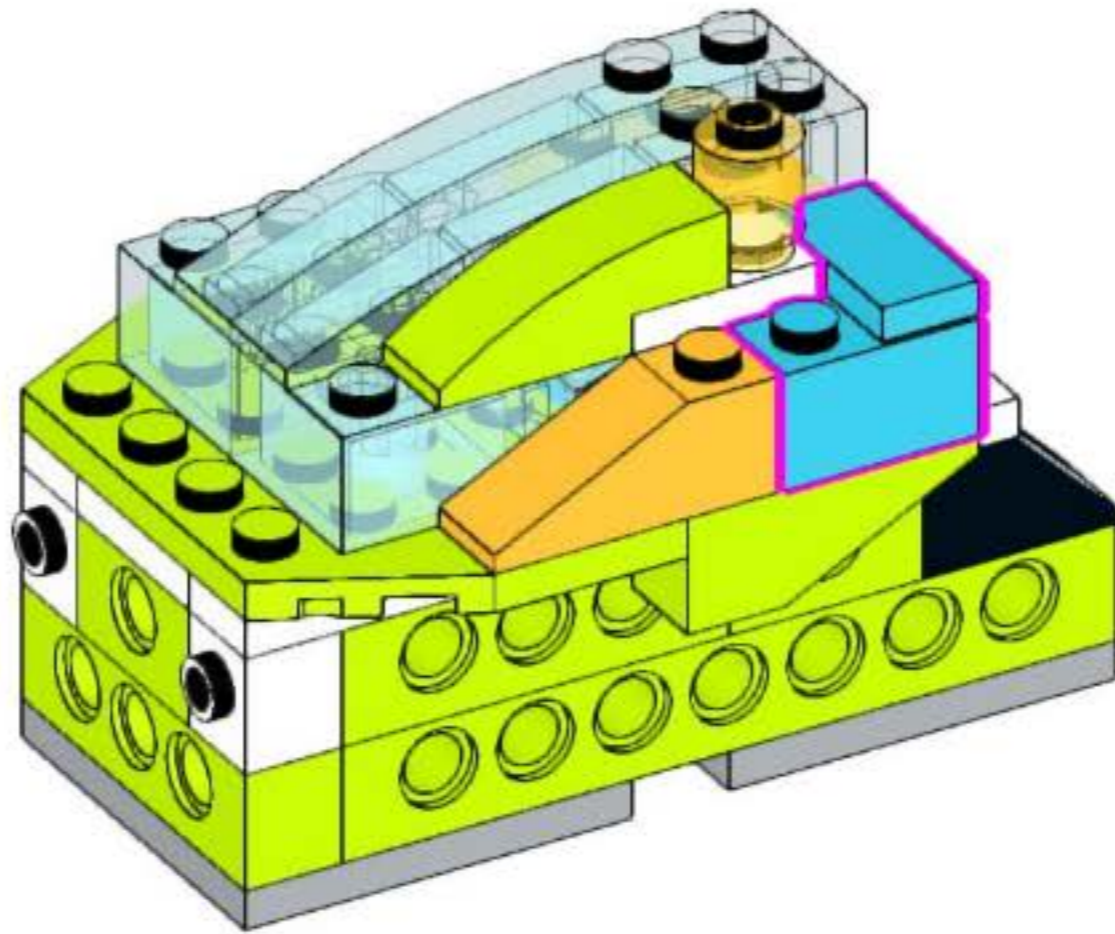
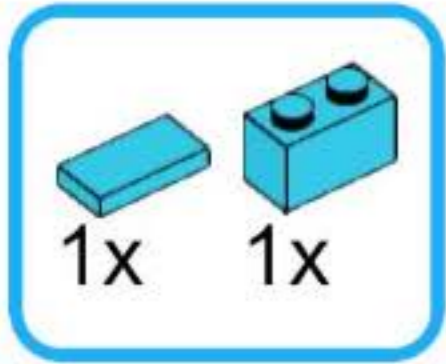


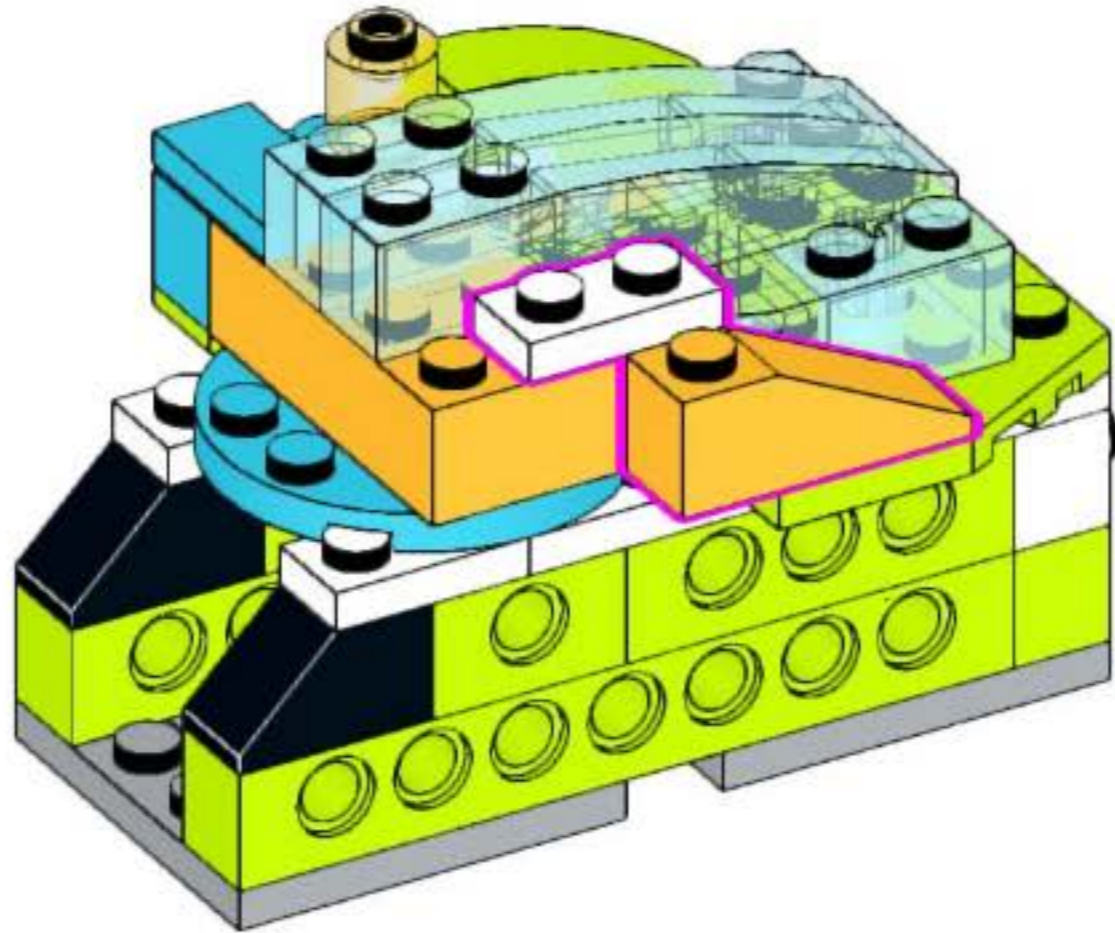
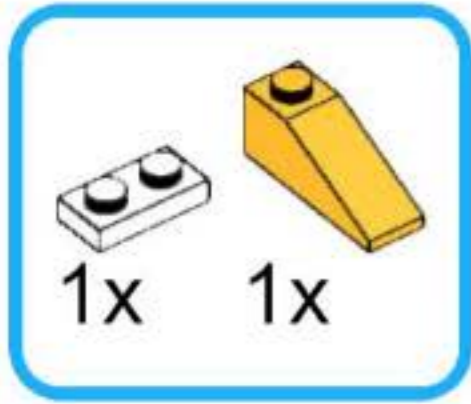


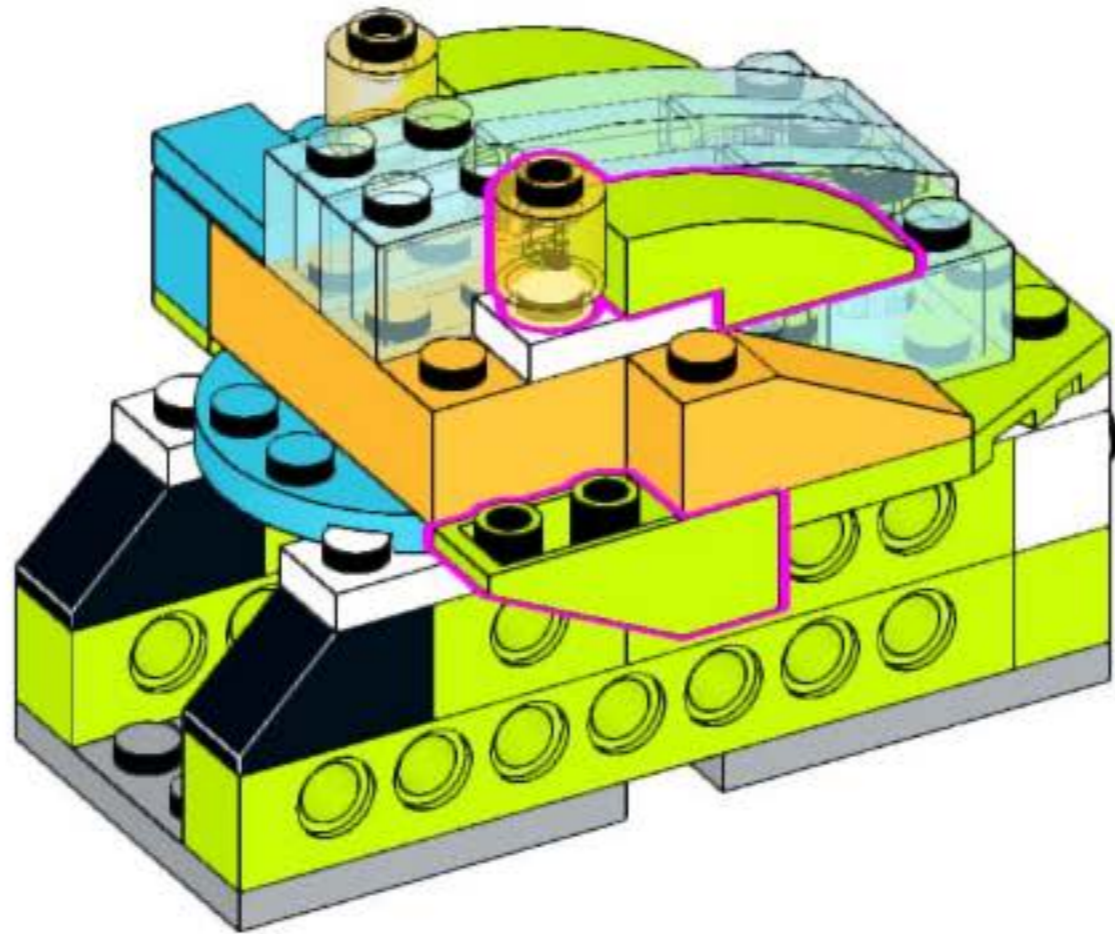
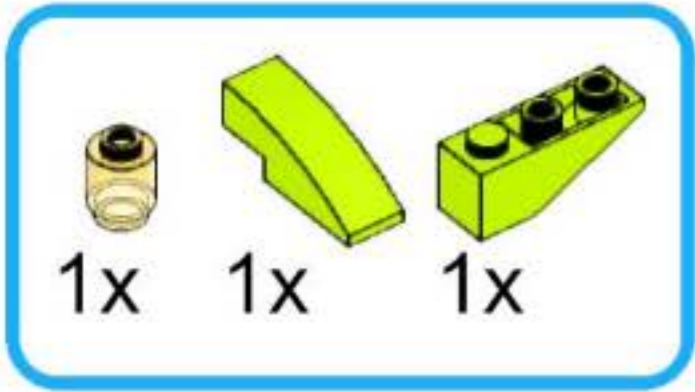


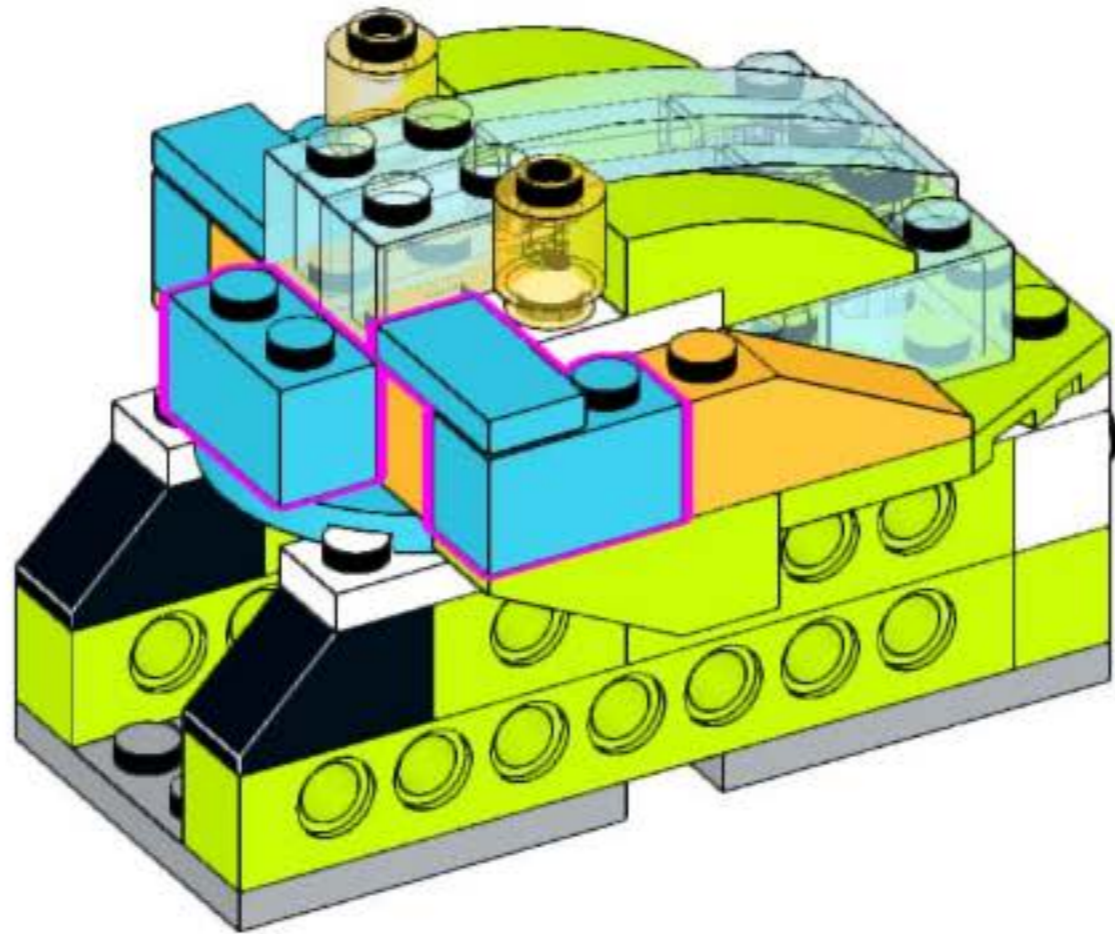
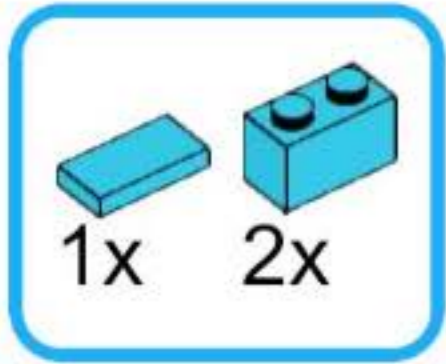


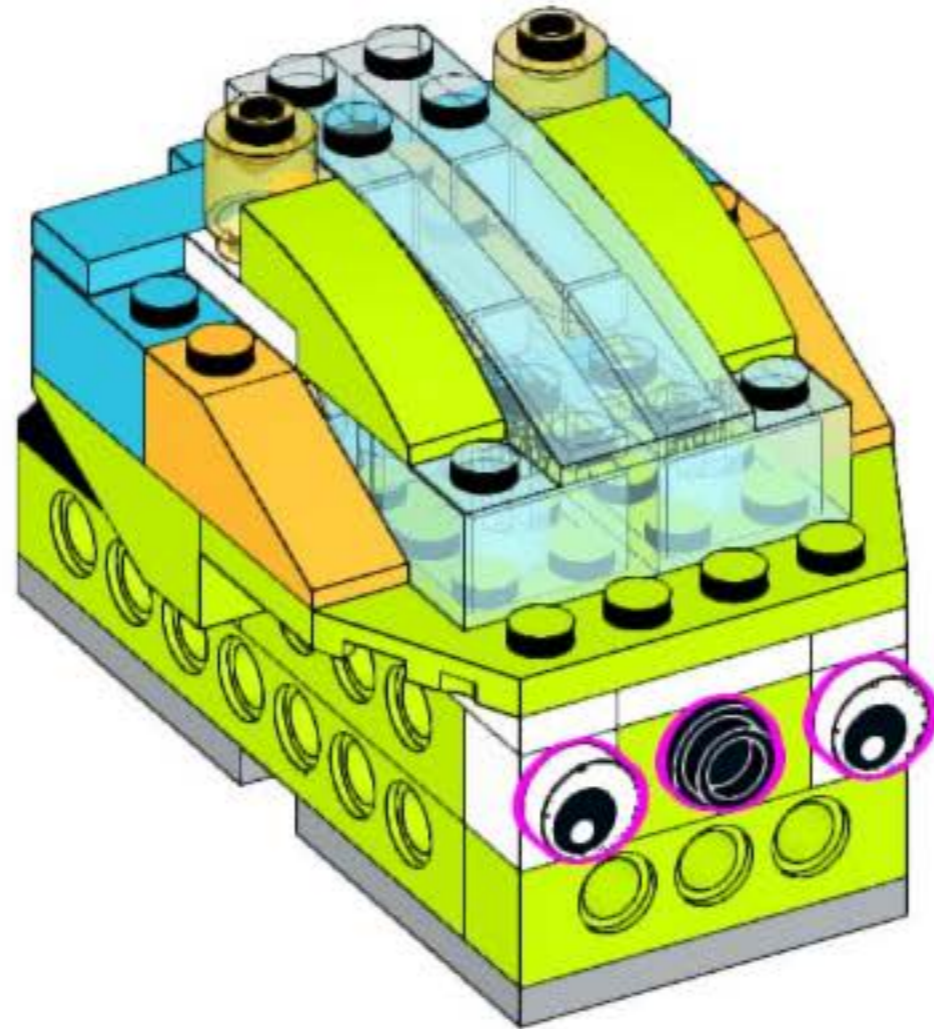
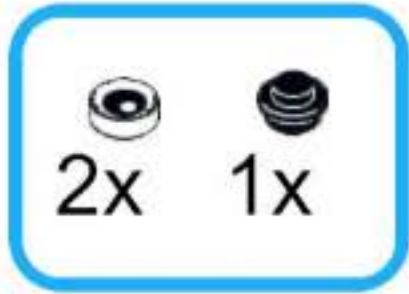


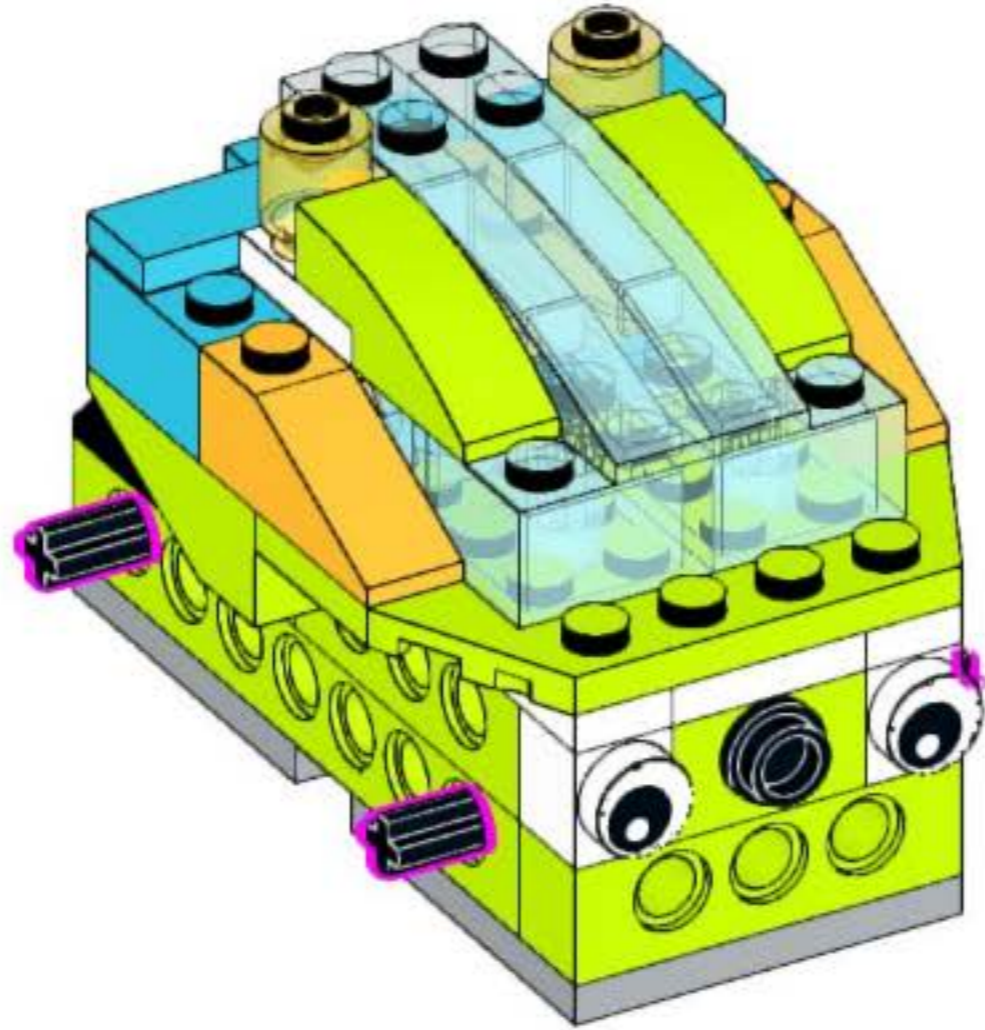


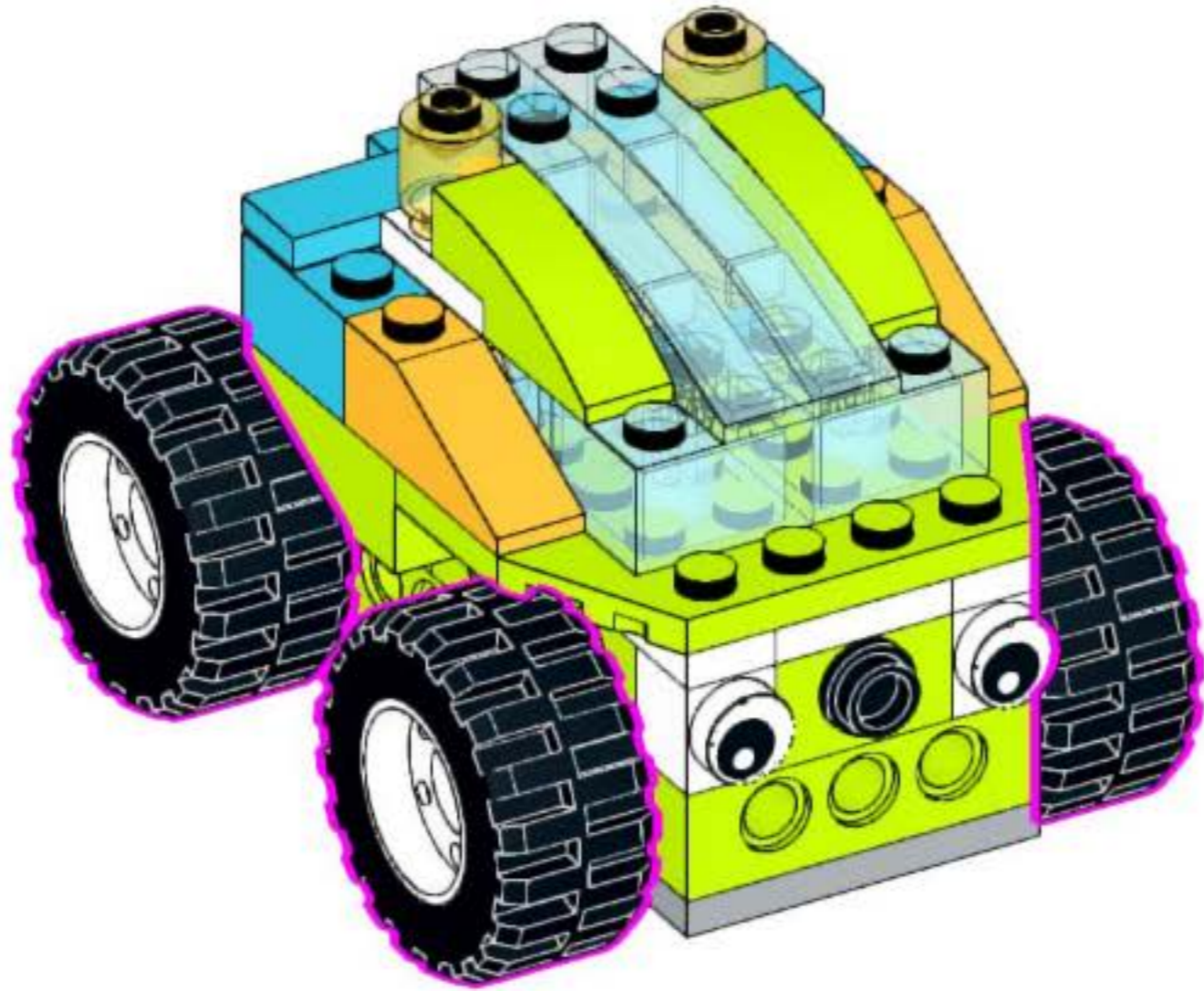


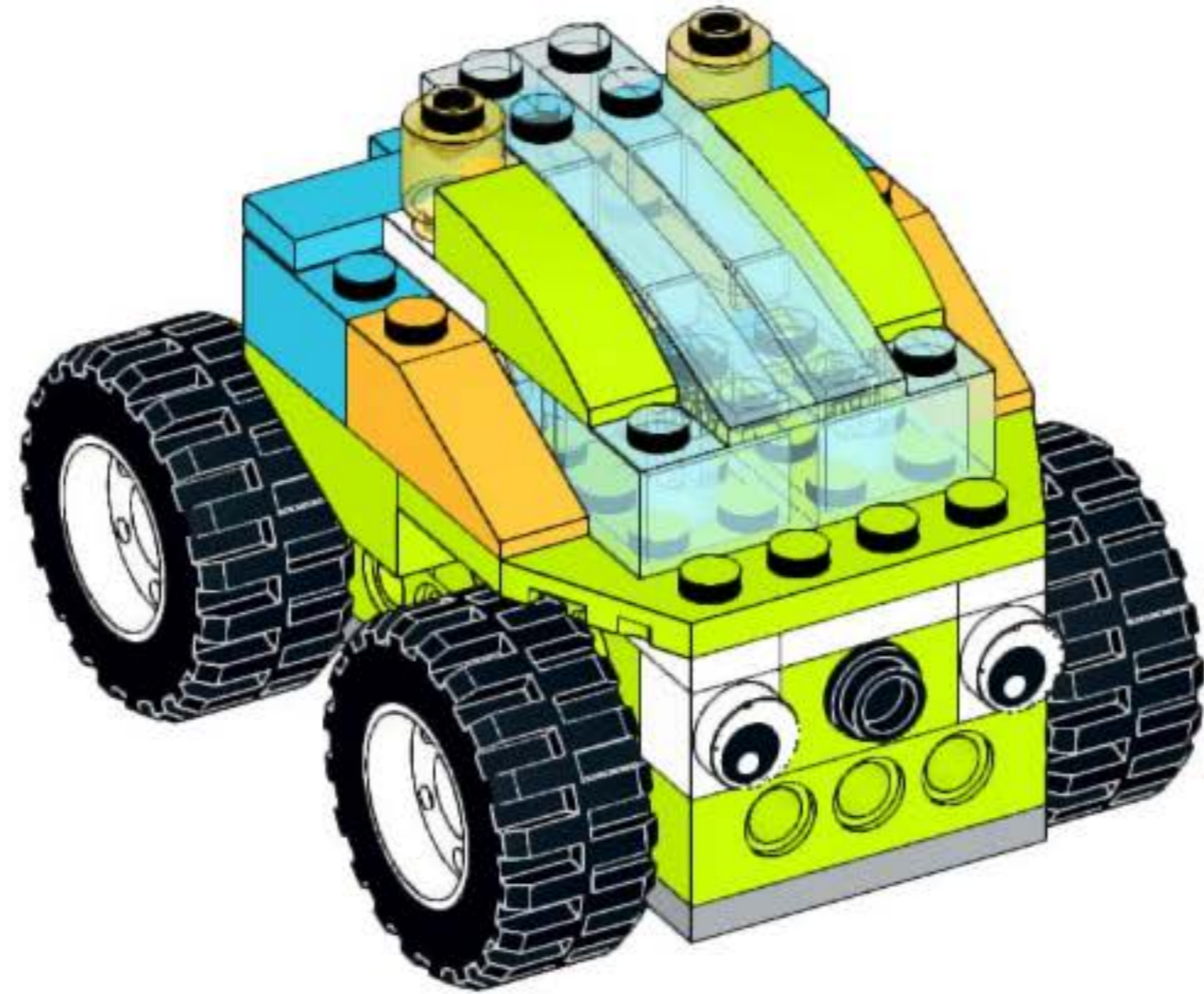


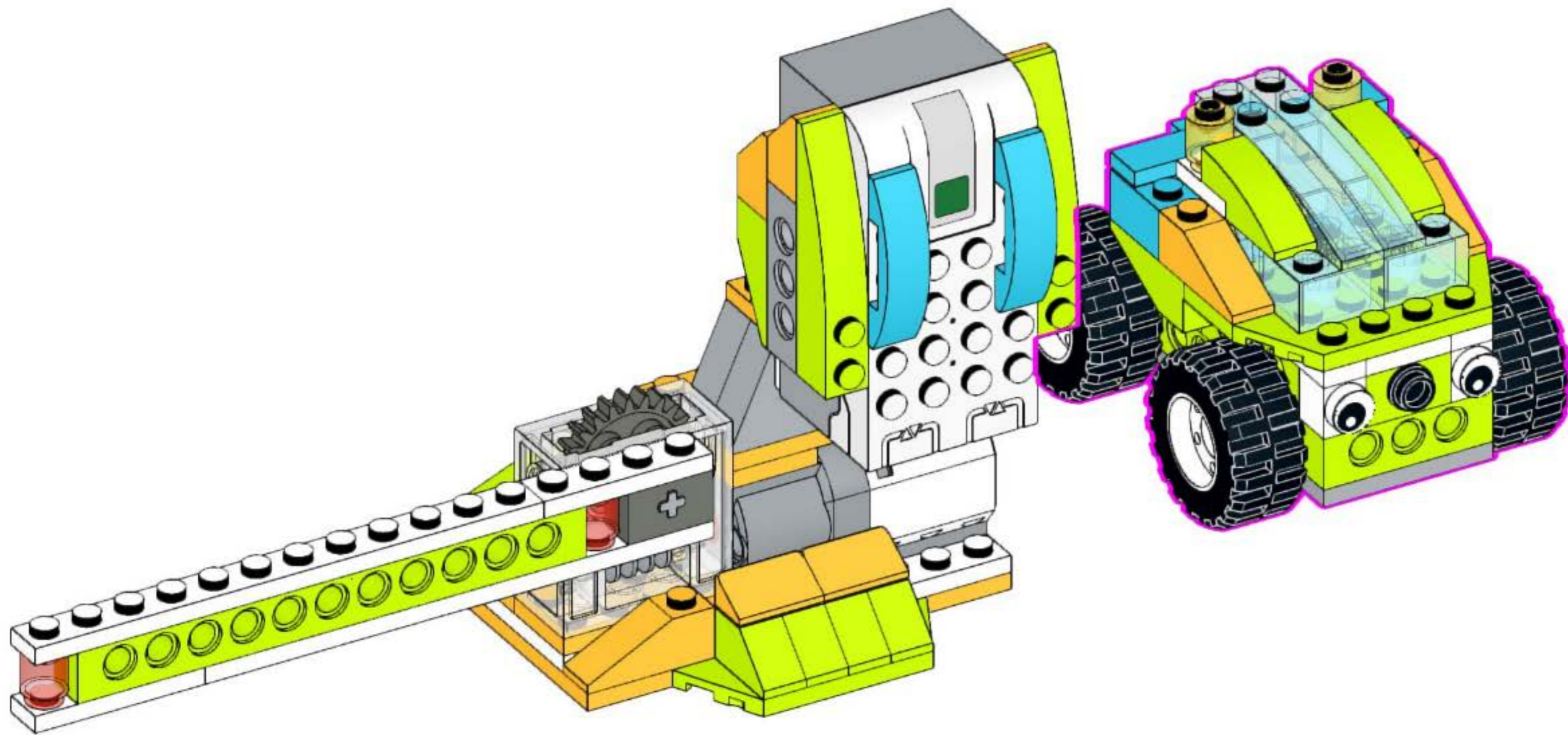


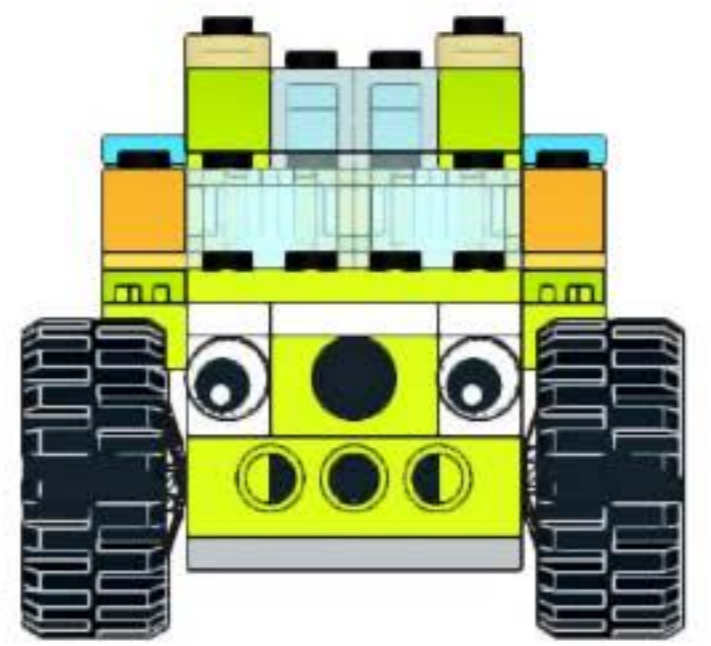
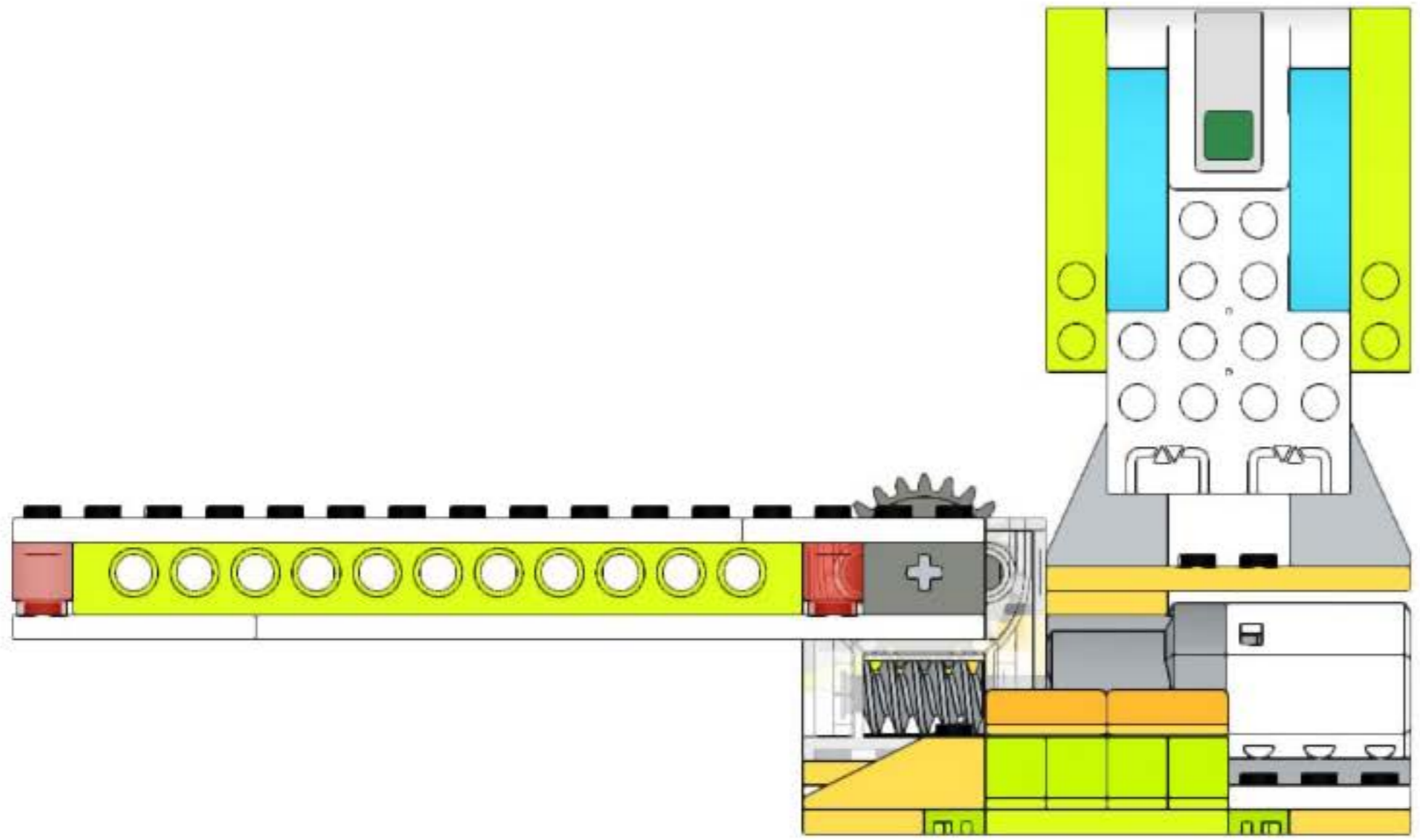












***Task 2**

Now in the design, we have a motion sensor and a car to test the model. Modify the program so that the barrier closes itself after the car has passed. and

***Task 2**

Now in the design, we have a motion sensor and a car to test the model. Modify the program so that the barrier closes itself after the car has passed. and